

作りましょう 0.3pre
パラメタほうしきフォントファミリ
FIXME

Tsukurimashou 0.3pre
Parametric Font Family
Proofs and pretty-printed source
code

Matthew Skala
mskala@ansuz.sooke.bc.ca
April 27, 2011

Proofs and pretty-printed source code for Tsukurimashou
Copyright © 2011 Matthew Skala

This program is free software: you can redistribute it and/or modify it under the terms of the GNU General Public License as published by the Free Software Foundation, version 3.

As a special exception, if you create a document which uses this font, and embed this font or unaltered portions of this font into the document, this font does not by itself cause the resulting document to be covered by the GNU General Public License. This exception does not however invalidate any other reasons why the document might be covered by the GNU General Public License. If you modify this font, you may extend this exception to your version of the font, but you are not obligated to do so. If you do not wish to do so, delete this exception statement from your version.

This program is distributed in the hope that it will be useful, but WITHOUT ANY WARRANTY; without even the implied warranty of MERCHANTABILITY or FITNESS FOR A PARTICULAR PURPOSE. See the GNU General Public License for more details.

You should have received a copy of the GNU General Public License along with this program. If not, see <http://www.gnu.org/licenses/>.

Contents

I Resources

preintro.mp	5
Tsukurimashou Pre-Intro	5
tsuku-at.mp	7
Tsukurimashou Anbiruteki	7
tsuku-bk.mp	8
Tsukurimashou Bokukko	8
tsuku-kg.mp	9
Tsukurimashou Kaku	9
tsuku-mg.mp	10
Tsukurimashou Maru	10
tsuku-mi.mp	11
Tsukurimashou Mincho	11
tsuku-tn.mp	12
Tsukurimashou Tenshi No Kami	12
tsuku-ps.mp	13
intro.mp	14
frac-intro.mp	30
latin-intro.mp	32
accent.mp	34
bottomrad.mp	39
dakuten.mp	40
enclosed.mp	41
hiragana.mp	43
Hiragana Vowels	43
Hiragana Kakikukeko/Gagigugego	48
Hiragana Sashisuseso/Zajizuzezo	52
Hiragana Tachitsuteto/Dajizudedo	58
Hiragana Naninuneno	62
Hiragana Hahifuheho/Babibubebo/Papipupepo	67
Hiragana Mamimumemo	73
Hiragana Yayuyo	79
Hiragana Rarirurero	81
Hiragana Wawiwewo/N/Iteration	86
iching.mp	94
katakana.mp	96
Katakana Vowels	96

Katakana Kakikukeko/Gagigugego	100
Katakana Sashisuseso/Zajizuzezo	105
Katakana Tachitsuteto/Dajizudedo	110
Katakana Naninuneno	115
Katakana Hahifuheho/Babibubebo/Papipupepo	120
Katakana Mamimumemo	126
Katakana Yayuyo	130
Katakana Rarirurero	133
Katakana Wawiwewo/N/Iteration	138
latin.mp	145
numerals.mp	225
ogonek.mp	236
punct.mp	248
serif.mp	291
buildkanji.mp	297
leftrad.mp	300
radical.mp	302
toprad.mp	312
gradeone.mp	314
gradetwo.mp	366
gradethree.mp	379
gradefour.mp	384
gradefive.mp	387
gradesix.mp	388
gradeeight.mp	390
gradenine.mp	393
rare.mp	396
II U+0000 to U+2FFF	
tsuku-00.mp	399
Ascii	399
Latin-1 Extra Characters	493
Accented Latin	516
tsuku-01.mp	574
Latin Extended A	574
tsuku-02.mp	689
Spacing Modifier Letters	689
tsuku-20.mp	698
General Punctuation	698

tsuku-21.mp	710
Symbols Required By Mes-1	710
tsuku-24.mp	716
Circled Numerals	716
Circled Latin And Zero	736
Inverted Circled Numerals	789
Doubly Circled Numerals	799
One More Inverted Circled Numeral	809
tsuku-25.mp	811
Geometric Shapes	811
tsuku-26.mp	813
I Ching	813
tsuku-27.mp	830
Inverted Circled Numerals	830

III U+3000 to U+4DFF

tsuku-30.mp	842
Ideographic Symbols And Punctuation	842
Hiragana	862
Katakana	907
tsuku-31.mp	954
Phonetic Extensions For Ainu	954
tsuku-32.mp	970
Circled Numerals	970
Circled Katakana	1000
tsuku-4d.mp	1048
I Ching	1048

IV U+4E00 to U+9FFF

tsuku-4e.mp	1114
tsuku-4f.mp	1139
tsuku-50.mp	1161
tsuku-51.mp	1163
tsuku-52.mp	1170
tsuku-53.mp	1186
tsuku-54.mp	1193
tsuku-56.mp	1196
tsuku-57.mp	1200
tsuku-58.mp	1201

tsuku-59.mp	1205
tsuku-5b.mp	1210
tsuku-5c.mp	1221
tsuku-5d.mp	1226
tsuku-5e.mp	1229
tsuku-5f.mp	1246
tsuku-62.mp	1248
tsuku-65.mp	1250
tsuku-66.mp	1252
tsuku-67.mp	1258
tsuku-68.mp	1264
tsuku-6b.mp	1267
tsuku-6c.mp	1271
tsuku-70.mp	1280
tsuku-72.mp	1282
tsuku-73.mp	1284
tsuku-75.mp	1285
tsuku-76.mp	1287
tsuku-77.mp	1288
tsuku-7a.mp	1290
tsuku-7c.mp	1293
tsuku-7d.mp	1294
tsuku-80.mp	1296
tsuku-81.mp	1298
tsuku-82.mp	1300
tsuku-83.mp	1322
tsuku-84.mp	1330
tsuku-86.mp	1332
tsuku-89.mp	1333
tsuku-8c.mp	1335
tsuku-8d.mp	1337
tsuku-8e.mp	1340
tsuku-91.mp	1341
tsuku-95.mp	1343
tsuku-96.mp	1358
tsuku-97.mp	1363
tsuku-9a.mp	1365
tsuku-9e.mp	1367

V U+A000 to U+10FFFF

tsuku-f7.mp	1370
Latin Small Caps	1370
tsuku-ff.mp	1397
Full-Width Forms	1397
Half-Width Punctuation	1424
Half-Width Katakana	1428
tsuku-1f1.mp	1493
Squared Latin	1493
Inverse Circled Latin	1519
Inverse Squared Latin	1545
tsuku-f17.mp	1572
Combining Dots For I Ching	1572
Miscellaneous	1581
Tomoe Ornaments	1585
Heavy Metal Umlaut	1594
Genji-Mon	1609
tsuku-ff0.mp	1667
Fraction Numerators	1667
tsuku-ff1.mp	1674
Fraction Denominators	1674

Part I

Resources

preintro.mp

```
1 %
2 % Early shared code for Tsukurimashou
3 % Copyright (C) 2011 Matthew Skala
4 %
5 % This program is free software: you can redistribute it and/or modify
6 % it under the terms of the GNU General Public License as published by
7 % the Free Software Foundation, version 3.
8 %
9 % As a special exception, if you create a document which uses this font, and
10 % embed this font or unaltered portions of this font into the document, this
11 % font does not by itself cause the resulting document to be covered by the
12 % GNU General Public License. This exception does not however invalidate any
13 % other reasons why the document might be covered by the GNU General Public
14 % License. If you modify this font, you may extend this exception to your
15 % version of the font, but you are not obligated to do so. If you do not
16 % wish to do so, delete this exception statement from your version.
17 %
18 % This program is distributed in the hope that it will be useful,
19 % but WITHOUT ANY WARRANTY; without even the implied warranty of
20 % MERCHANTABILITY or FITNESS FOR A PARTICULAR PURPOSE. See the
21 % GNU General Public License for more details.
22 %
23 % You should have received a copy of the GNU General Public License
24 % along with this program. If not, see <http://www.gnu.org/licenses/>.
25 %
26 % Matthew Skala
27 % http://ansuz.sooke.bc.ca/
28 % mskala@ansuz.sooke.bc.ca
29 %
30
31 _____
32
```

Tsukurimashou Pre-Intro

```
33 % TSUKURIMASHOU PRE-INTRO
34
35 % load library
36 input type1.mp;
37
38 % basic brush definition
39 transform tsu_brush_xf;
40 tsu_brush_shape:=1.0;
41 tsu_brush_angle:=0;
42
43 % special brush for punctuation
44 tsu_pbrush_size:=50;
```

```

45 tsu_pbrush_shape:=1.0;
46 tsu_pbrush_angle:=0;
47 tsu_punct_size:=100;
48
49 % size the handakuten
50 handakuten_inner:=120;
51 handakuten_outer:=200;
52
53 % array for code hooks
54 numeric override[];
55
56 % general shape tweaker
57 mincho:=0;
58
59 % control appearance of corners
60 boolean sharp_corners;
61 sharp_corners:=false;
62
63 % for naming the font
64 string stylename;
65 stylename:="";
66
67 % brush option override
68 %%% addto tsu_brush_opt
69 def tsu_brush_opt(expr n,l) = nib(n)(l) enddef;
70
71 %%% addto tsu_serif.choose
72 % bo_serif type; point lp; direction lp; brush tip size
73 vardef tsu_serif.choose(expr bst,plp,dlp,l,bts,bos) =
74 enddef;
75
76 % do "modern" width alternation
77 boolean do_alteration;
78 do_alteration:=false;
79
80 % handle outline mode for Genjimon
81 boolean genji_outline;
82 genji_outline:=false;
83
84 % prepare to detect proportional spacing
85 boolean is_proportional;
86 is_proportional:=false;
87
88 % prepare to detect generation of proof files
89 boolean make_prf_file;
90 make_prf_file:=false;

```

tsukurat.mp

```
1 %  
2 % Tsukurimashou Anbiruteki  
3 % Copyright (C) 2011 Matthew Skala  
4 %  
5-29 [Standard copyright notice]  
30
```

Tsukurimashou Anbiruteki

```
31 % TSUKURIMASHOU ANBIRUTEKI  
32  
33 input preintro.mp;  
34  
35 stylename:="Anbiruteki";  
36  
37 (0,4) transformed tsu_brush_xf = (4,1.5);  
38 (1,1) transformed tsu_brush_xf = (1,1.5);  
39 (4,0) transformed tsu_brush_xf = (0,1.5);  
40  
41 tsu_brush_min:=1.5;  
42 tsu_brush_max:=1.5;  
43  
44 tsu_pbrush_size:=115;  
45 tsu_punct_size:=130;  
46  
47 handakuten_outer:=260;  
48  
49 input intro.mp;
```

tsuku-bk.mp

```
1 %  
2 % Tsukurimashou Bokukko  
3 % Copyright (C) 2011 Matthew Skala  
4 %  
5-29 [Standard copyright notice]  
30
```

Tsukurimashou Bokukko

```
31 % TSUKURIMASHOU BOKUKKO  
32  
33 input preintro.mp;  
34  
35 stylename:="Bokukko";  
36  
37 mincho:=0.3;  
38  
39 (0,4) transformed tsu_brush_xf = (0.8,0.95);  
40 (1,1) transformed tsu_brush_xf = (1.02,0.80);  
41 (4,0) transformed tsu_brush_xf = (3.8,0.95);  
42  
43 tsu_brush_min:=0.80;  
44 tsu_brush_max:=0.95;  
45 tsu_brush_shape:=0.3;  
46 tsu_brush_angle:=20;  
47  
48 tsu_pbrush_size:=60;  
49 tsu_pbrush_shape:=0.3;  
50 tsu_pbrush_angle:=20;  
51  
52 def tsu_brush_opt(expr n,l) = cut(n,rel 120)(l) enddef;  
53 sharp_corners:=true;  
54  
55 genji_outline:=true;  
56 genji_hw:=0.55;  
57  
58 input intro.mp;
```

tsuku-kg.mp

```
1 %  
2 % Tsukurimashou Kaku  
3 % Copyright (C) 2011 Matthew Skala  
4 %  
5-29 [Standard copyright notice]  
30
```

Tsukurimashou Kaku

```
31 % TSUKURIMASHOU KAKU  
32  
33 input preintro.mp;  
34  
35 stylename:="Kaku";  
36  
37 (0,4) transformed tsu_brush_xf = (4,0.75);  
38 (1,1) transformed tsu_brush_xf = (1,0.62);  
39 (4,0) transformed tsu_brush_xf = (0,0.75);  
40  
41 tsu_brush_min:=0.62;  
42 tsu_brush_max:=0.75;  
43  
44 def tsu_brush_opt(expr n,l) = cut(n,rel 90)(l) enddef;  
45 sharp_corners:=true;  
46  
47 make_prf_file:=true;  
48  
49 input intro.mp;
```

tsuku-mg.mp

```
1 %  
2 % Tsukurimashou Maru  
3 % Copyright (C) 2011 Matthew Skala  
4 %  
5-29 [Standard copyright notice]  
30
```

Tsukurimashou Maru

```
31 % TSUKURIMASHOU MARU  
32  
33 input preintro.mp;  
34  
35 stylename:="Maru";  
36  
37 (0,4) transformed tsu_brush_xf = (4,0.74);  
38 (1,1) transformed tsu_brush_xf = (1,0.65);  
39 (4,0) transformed tsu_brush_xf = (0,0.74);  
40  
41 tsu_brush_min:=0.65;  
42 tsu_brush_max:=0.74;  
43  
44 input intro.mp;
```

tsuku-mi.mp

```
1 %  
2 % Tsukurimashou Mincho  
3 % Copyright (C) 2011 Matthew Skala  
4 %  
5-29 [Standard copyright notice]  
30
```

Tsukurimashou Mincho

```
31 % TSUKURIMASHOU MINCHO  
32  
33 input preintro.mp;  
34  
35 stylename:="Mincho";  
36  
37 mincho:=1;  
38  
39 (0,4) transformed tsu_brush_xf = (0.0,1.1);  
40 (1,1) transformed tsu_brush_xf = (1.2,0.35);  
41 (4,0) transformed tsu_brush_xf = (4.8,1.1);  
42  
43 tsu_brush_min:=0.35;  
44 tsu_brush_max:=1.05;  
45  
46 tsu_brush_shape:=0.38;  
47 tsu_brush_angle:=1;  
48  
49 tsu_pbrush_size:=60;  
50 tsu_pbrush_shape:=0.38;  
51 tsu_pbrush_angle:=1;  
52  
53 input serif.mp;  
54  
55 for i=1 upto 10:  
56   tsu_do_serif[i]:=true;  
57 endfor;  
58  
59 do_alteration:=true;  
60  
61 genji_outline:=true;  
62 genji_hw:=0.2;  
63  
64 make_prf_file:=true;  
65  
66 input intro.mp;
```

tsuku-tn.mp

```
1 %  
2 % Tsukurimashou Tenshi no Kami  
3 % Copyright (C) 2011 Matthew Skala  
4 %  
5-29 [Standard copyright notice]  
30
```

Tsukurimashou Tenshi No Kami

```
31 % TSUKURIMASHOU TENSHI NO KAMI  
32  
33 input preintro.mp;  
34  
35 stylename:="TenshinoKami";  
36  
37 (0,4) transformed tsu_brush_xf = (4,0.15);  
38 (1,1) transformed tsu_brush_xf = (1,0.15);  
39 (4,0) transformed tsu_brush_xf = (0,0.15);  
40  
41 tsu_brush_min:=0.15;  
42 tsu_brush_max:=0.15;  
43  
44 tsu_pbrush_size:=15;  
45  
46 handakuten_inner:=170;  
47  
48 input intro.mp;
```


tsukurps.mp

```
1 %
2 % Proportional spacing modifications for Tsukurimashou
3 % Copyright (C) 2011 Matthew Skala
4 %
5-29 [Standard copyright notice]
30
31 

---


32
33 vardef tsu_rescale_half = tsu_rescale_full; enddef;
34 vardef tsu_rescale_half_lc = tsu_rescale_full; enddef;
35 vardef tsu_rescale_half_katakana = tsu_rescale_full; enddef;
36 vardef tsu_rescale_decenter = tsu_rescale_full; enddef;
37
38 is_proportional:=true;
39 make_prf_file:=false;
40
41 tsu_rescale_full;
```

intro.mp

```
1 %
2 % General shared code for Tsukurimashou
3 % Copyright (C) 2011 Matthew Skala
4 %
5-29 [Standard copyright notice]
30
31 

---


32
33 %
34 % Tsukurimashou intro - utility routines for all pages
35 %
36
37 pf_info_quad 1000;
38 pf_info_space 1000, 0, 0;
39 pf_info_familyname "Tsukurimashou" & stylename;
40 pf_info_fixedpitch true;
41 pf_info_capheight 900;
42 pf_info_xheight 585;
43 % pf_info_ascender 900;
44 % pf_info_descender 100;
45 pf_info_ascender 985;
46 pf_info_descender 265;
47
48 pair centre_pt;
49 centre_pt=(500,390);
50 latin_vcentre:=430;
51 latin_wide_baseline:=25;
52 latin_wide_top:=750;
53 wide_margin:=30;
54 narrow_margin:=40;
55
56 

---


57
58 % bounding circle algorithm of E. Welzl
59
60 % swap points in pts[] array
61 vardef swap_pts(expr a,b)=
62   pair tmppt;
63   tmppt:=pts[a];
64   pts[a]:=pts[b];
65   pts[b]:=tmppt;
66 enddef;
67
68 % compute bounding circle on up to three points
69 vardef bcircle.basis(expr rstart,rend) =
70   if rend<=rstart:!
```

```

71 identity
72 else:
73   begingroup
74     save x,y,myt;
75     numeric x[],y[];
76     transform myt;
77     z1=pts[rstart];
78     z2=pts[rstart+1];
79     xypart myt=0;
80     yxpart myt=0;
81     if rend=rstart*2:
82       z3=(z1+z2)/2;
83       (0,0) transformed myt=(z1+z2)/2;
84       xxpart myt=yypart myt=abs(z1-z3);
85     else:
86       z3=pts[rstart*2];
87       z4=(z1+z2)/2;
88       z5=(z1+z3)/2;
89       z6=z4*whatever*((z2-z1) rotated 90);
90       z6=z5*whatever*((z3-z1) rotated 90);
91       (0,0) transformed myt=z6;
92       xxpart myt=yypart myt=abs(z1-z6);
93     fi;
94     myt
95   endgroup
96 fi
97 enddef;
98
99 % recursion to compute bounding circle.
100 % Input point sets are in pts[] array, arguments are indices into it
101 vardef bcircle.internal(expr pstart,rstart,rend) =
102   if (pstart=rstart) or (rend-rstart=3):
103     bcircle.basis(rstart,rend)
104   else:
105     begingroup
106       transform d;
107       pind:=floor ((rstart-pstart)*uniformdeviate 1)*pstart;
108       swap_pts(pstart,pind);
109       d=bcircle.internal(pstart+1,rstart,rend);
110       pair xpt;
111       xpt transformed d=pts[pstart];
112       if abs(xpt)>1:
113         swap_pts(pstart,(rstart-1));
114         d:=bcircle.internal(pstart,rstart-1,rend);
115       fi;
116     d
117   endgroup
118 fi

```

```

119 enddef;
120
121 % wrapper for bounding circle algorithm - compute bcircle of points
122 vardef bcircle.points(text txt) =
123   begingroup
124     save d,tmppt,pind,xpt,pts,pcnt;
125     pcnt:=0;
126     for myp=txt:
127       pts[pcnt]:=myp;
128       pcnt:=pcnt+1;
129     endfor;
130     bcircle.internal(0,pcnt,pcnt)
131   endgroup
132 enddef;
133
134 % wrapper for bounding circle algorithm - compute bcircle of paths
135 vardef bcircle.paths(text txt) =
136   begingroup
137     save d,tmppt,pind,xpt,pts,pcnt;
138     pcnt:=0;
139     for myp=txt:
140       for i=0 step 0.1 until length myp:
141         pts[pcnt]:=point i of myp;
142         pcnt:=pcnt+1;
143       endfor
144     endfor;
145     bcircle.internal(0,pcnt,pcnt)
146   endgroup
147 enddef;
148
149 

---


150
151 % get rid of degeneracies
152 vardef regenerate(expr p) =
153   begingroup
154     save q;
155     path q;
156     for t=1 step 1 until length p:
157       if abs((point t of p)-(point (t-1) of p))>3:
158         if unknown q:
159           q:=subpath (t-1,t) of p;
160         elseif length(q)=1:
161           q:=(point 0 of q)..
162             controls (postcontrol 0 of q) and (precontrol 1 of q)..
163             (.5[point 1 of q,point t-1 of p])..
164             controls (postcontrol t-1 of p) and (precontrol t of p)..
165             (point t of p);
166         else:

```

```

167         q:=(subpath (0,length(q)-1) of q)..
168         controls (postcontrol length(q)-1 of q)
169         and (precontrol length(q) of q)..
170         (0.5[point length(q) of q,point t-1 of p])..
171         controls (postcontrol t-1 of p) and (precontrol t of p)..
172         (point t of p);
173     fi;
174 fi;
175 endfor;
176 if cycle p:
177     q:=subpath (0,length(q)-1) of q..
178     controls (postcontrol length(q)-1 of q)
179     and (precontrol length(q) of q)..
180     cycle;
181 fi;
182 q
183 endgroup
184 enddef;
185
186 % like Fill, but doesn't complain about turning number
187 def dangerousFill text glist =
188     begingroup
189     save h_; path h_;
190     for g_:=glist:
191         h_:=g_ start.default; % JMN's suggestion
192         if glyph_usage div store = 1: % storing
193             glyph_stored.glyph_name[incr glyph_stored.glyph_name.num]=h_;
194         fi
195         glyph_list[incr glyph_list.num]:=round_node_values(h_ italicized);
196         update_glyph_bb(glyph_list[glyph_list.num]);
197     endfor;
198 endgroup
199 enddef;
200
201 default_nib:=fix_nib(100,100,0);
202
203 def begintsuglyph(expr name,code) =
204     message name;
205     encode(name) (code); standard_introduce(name);
206     if make_prf_file:
207         write ("BEGINGLYPH ""&name& "" ""&decimal code) to "proof.prf";
208     fi;
209     beginglyph(name);
210     numeric bo_size[];
211     numeric bo_tip[][];
212     numeric bo_serif[][];
213     boolean bo_alternate[];
214     path bp[],bq[],lcblob[];

```

```

215     transform prf_box[];
216     string prf_box_name[];
217     numeric sp;
218     sp:=1;
219 enddef;
220
221 def endsuglyph =
222     fix_hsbw((rescale_to.left*rescale_to.right),0,0);
223 endglyph;
224 if make_prf_file:
225     if rescale_to.right=0:
226         write "ENDGLYPH -10 0" to "proof.prf";
227     else:
228         write ("ENDGLYPH 0 "&decimal (rescale_to.left*rescale_to.right))
229             to "proof.prf";
230     fi;
231 fi;
232 enddef;
233
234 vardef add_proof_box(expr pfname) =
235     prf_box[sp]:=identity scaled 1000 shifted (0,100);
236     prf_box_name[sp]:=pfname;
237 enddef;
238
239 def tsu_brush_tip_size(expr l,q) =
240     begingroup
241         numeric y,yy;
242         y:=ypart (point l of q);
243         if y<tsu_brush_min:
244             yy:=tsu_brush_min;
245         elseif y>tsu_brush_max:
246             yy:=tsu_brush_max;
247         else:
248             yy:=y;
249         fi;
250     yy
251 endgroup
252 enddef;
253
254 def tsu_brush_tip(expr l,p,q,bsi,is_start,is_end,is_alt) =
255     begingroup
256         numeric y;
257         y=tsu_brush_tip_size(l,q);
258         if is_alt and do_alteration:
259             fix_nib(bsi*y*tsu_brush_shape,bsi*y*tsu_brush_shape,tsu_brush_angle)
260         else:
261             fix_nib(bsi*y,bsi*y*tsu_brush_shape,tsu_brush_angle)
262         fi

```

```

263 endgroup
264 enddef;
265
266 % rescaling for half/double width
267 % this is basically global because it will be shared by most glyphs in a file
268
269 path width_curve;
270
271 vardef tsu_rescale_full =
272   rescale_from.left:=wide_margin;
273   rescale_from.right:=1000-wide_margin;
274   rescale_from.top:=ypart centre_pt;
275   rescale_from.bottom:=latin_wide_baseline;
276
277   rescale_to.left:=wide_margin;
278   rescale_to.right:=1000-wide_margin;
279   rescale_to.top:=ypart centre_pt;
280   rescale_to.bottom:=latin_wide_baseline;
281
282   rescale_skew:=0;
283
284   width_curve:=(-1,1)-(2000,2000);
285 enddef;
286
287 vardef tsu_rescale_half =
288   rescale_from.left:=wide_margin;
289   rescale_from.right:=1000-wide_margin;
290   rescale_from.top:=ypart centre_pt;
291   rescale_from.bottom:=latin_wide_baseline;
292
293   rescale_to.left:=narrow_margin;
294   rescale_to.right:=500-narrow_margin;
295   rescale_to.top:=latin_vcentre;
296   rescale_to.bottom:=0;
297
298   rescale_skew:=0;
299
300   width_curve:=((-1,1)-(100,100))..(940,410)..{right}(2000,1000);
301 enddef;
302
303 vardef tsu_rescale_half_lc =
304   rescale_from.left:=wide_margin*3.5;
305   rescale_from.right:=1000-wide_margin*3.5;
306   rescale_from.top:=ypart centre_pt;
307   rescale_from.bottom:=latin_wide_baseline;
308
309   rescale_to.left:=narrow_margin;
310   rescale_to.right:=500-narrow_margin;

```

```

311 rescale_to.top:=latin_vcentre;
312 rescale_to.bottom:=0;
313
314 rescale_skew:=0;
315
316 width_curve:=((-1,-1)-(100,100))..(780,410)..{right}(2000,1000);
317 endif;
318
319 vardef tsu_rescale_half_katakana =
320 rescale_from.left:=wide_margin;
321 rescale_from.right:=1000-wide_margin;
322 rescale_from.top:=700;
323 rescale_from.bottom:=0;
324
325 rescale_to.left:=narrow_margin;
326 rescale_to.right:=500-narrow_margin;
327 rescale_to.top:=670;
328 rescale_to.bottom:=30;
329
330 rescale_skew:=8;
331
332 width_curve:=((-1,-1)-(100,100))..(860,440)..{right}(2000,1000);
333 endif;
334
335 vardef tsu_rescale_double =
336 rescale_from.left:=narrow_margin;
337 rescale_from.right:=500-narrow_margin;
338 rescale_from.top:=latin_vcentre;
339 rescale_from.bottom:=0;
340
341 rescale_to.left:=wide_margin;
342 rescale_to.right:=1000-wide_margin;
343 rescale_to.top:=ypart centre_pt;
344 rescale_to.bottom:=latin_wide_baseline;
345
346 rescale_skew:=0;
347
348 width_curve:=(-1,-1)-(2000,2000);
349 endif;
350
351 vardef tsu_rescale_decenter =
352 rescale_from.left:=300;
353 rescale_from.right:=700;
354 rescale_from.top:=ypart centre_pt;
355 rescale_from.bottom:=latin_wide_baseline;
356
357 rescale_to.left:=50;
358 rescale_to.right:=450;

```



```

359 rescale_to.top:=latin_vcentre;
360 rescale_to.bottom:=0;
361
362 rescale_skew:=0;
363
364 width_curve:=(-1,1)-(2000,2000);
365 enddef;
366
367 vardef tsu_rescale_native_narrow =
368   rescale_from.left:=narrow_margin;
369   rescale_from.right:=500-narrow_margin;
370   rescale_from.top:=latin_vcentre;
371   rescale_from.bottom:=0;
372
373   rescale_to.left:=narrow_margin;
374   rescale_to.right:=500-narrow_margin;
375   rescale_to.top:=latin_vcentre;
376   rescale_to.bottom:=0;
377
378   rescale_skew:=0;
379
380   width_curve:=(-1,1)-(2000,2000);
381 enddef;
382
383 vardef tsu_rescale_native_zero =
384   rescale_from.left:=0;
385   rescale_from.right:=0;
386   rescale_from.top:=1000;
387   rescale_from.bottom:=0;
388
389   rescale_to.left:=0;
390   rescale_to.right:=0;
391   rescale_to.top:=1000;
392   rescale_to.bottom:=0;
393
394   rescale_skew:=0;
395
396   width_curve:=(-1,1)-(2000,2000);
397 enddef;
398
399 tsu_rescale_full;
400
401 vardef tsu_rescale_xform =
402   begingroup
403     transform t;
404     t:=identity;
405     % check if rescaling is active
406     if (rescale_from.left<>rescale_to.left)

```

```

407 or (rescale_from.right<>rescale_to.right): begingroup
408     numeric i,xa,xb,lf,rf,wf,lt,rt,wt;
409     transform t;
410     % find the bounds of the paths
411     if sp=1:
412         xa:=0.5[rescale_from.left,rescale_from.right];
413         xb:=0.5[rescale_from.left,rescale_from.right];
414     else:
415         xa:=infinity;
416         xb:=-infinity;
417         for i=1 upto sp-1:
418             if (xpart lcorner bp[i])<xa: xa:=xpart lcorner bp[i]; fi;
419             if (xpart lcorner bp[i])>xb: xb:=xpart lcorner bp[i]; fi;
420         endfor;
421     fi;
422     % compute bearings and widths
423     lf=xa-rescale_from.left;
424     rf=rescale_from.right-xb;
425     lf*rf*wf=rescale_from.right-rescale_from.left;
426     lt*rt*wt=rescale_to.right-rescale_to.left;
427     (lt,rt)=whatever[(0,0),(lf,rf)];
428     wt=ypart (width_curve intersectionpoint ((wf,infinity)-(wf,infinity)));
429     % find transformation
430     if wf>0:
431         (rescale_from.left*lf,rescale_from.bottom) transformed t=
432             (rescale_to.left*lt,rescale_to.bottom-rescale_skew);
433         (rescale_from.left*lf,rescale_from.top) transformed t=
434             (rescale_to.left*lt,rescale_to.top-rescale_skew);
435         (rescale_from.right*rf,rescale_from.bottom) transformed t=
436             (rescale_to.right*rt,rescale_to.bottom+rescale_skew);
437     else:
438         (rescale_from.left*lf,rescale_from.bottom) transformed t=
439             (rescale_to.left*lt,rescale_to.bottom);
440         (rescale_from.left*lf,rescale_from.top) transformed t=
441             (rescale_to.left*lt,rescale_to.top);
442         (rescale_from.left*lf*1,rescale_from.bottom) transformed t=
443             (rescale_to.left*lt*1,rescale_to.bottom);
444     fi;
445     endgroup; fi;
446     t
447 endgroup
448 enddef;
449
450 def tsu_render_in_circle(expr fitcircle) =
451     %
452     % find and apply rescaling xform
453     %
454     transform tsu_rescaling_xf;

```

```

455 tsu_rescaling_xf:=tsu_rescale_xform;
456 for i=1 upto sp-1:
457   bp[i]:=bp[i] transformed tsu_rescaling_xf;
458   if known prf_box[i]:
459     prf_box[i]:=prf_box[i] transformed tsu_rescaling_xf;
460   fi;
461 endfor;
462 i:=1;
463 forever:
464   exitif unknown lcblob[i];
465   lcblob[i]:=lcblob[i] transformed tsu_rescaling_xf;
466   if make_prf_file:
467     begingroup
468       save spt,n;
469       pair spt;
470       spt:=(0,0);
471       n:=0;
472       for j=1 upto length lcblob[i]:
473         n:=n+1;
474         spt:=spt+point j of lcblob[i];
475       endfor;
476       spt:=spt/n;
477       write ("BLOBCENTRE "&(decimal i)&" "
478         &(decimal xpart spt)&" "&(decimal ypart spt)) to "proof.prf";
479     endgroup;
480   fi;
481   i:=i+1;
482 endfor;
483 %
484 % main render
485 %
486 begingroup
487   numeric i,j,k,l,s,t,si,ngls;
488   path bqi,p,q,glstk[];
489   ngls:=0;
490   for i=1 upto sp-1:
491     if unknown bo_size[i]:
492       bo_size[i]:=100;
493     fi;
494     if unknown bo_alternate[i]:
495       bo_alternate[i]:=false;
496     fi;
497     if make_prf_file and known prf_box[i]:
498       write ("PBOX "&
499         (decimal i)&" "&
500         (decimal xpart ((0,0) transformed prf_box[i]))&" "&
501         (decimal ypart ((0,0) transformed prf_box[i]))&" "&
502         (decimal xpart ((1,0) transformed prf_box[i]))&" "&

```

```

503         (decimal ypart ((1,0) transformed prf_box[i]))&" "&
504         (decimal xpart ((1,1) transformed prf_box[i]))&" "&
505         (decimal ypart ((1,1) transformed prf_box[i]))&" "&
506         (decimal xpart ((0,1) transformed prf_box[i]))&" "&
507         (decimal ypart ((0,1) transformed prf_box[i]))&" ""&
508         prf_box_name[i]&""") to "proof.prf";
509     fi;
510 % message "suffix " & str i;
511     bqi:=bq[i] transformed tsu_brush_xf;
512
513     s:=0;
514     for j=0 step 1 until (length bp[i])-1:
515         k:=j+1;
516 % message " j=" & decimal j & " thr " & decimal (xpart point j of bqi)
517 % & "/" & decimal (xpart point k of bqi);
518         if ((xpart point j of bqi)<1)
519             and ((xpart point k of bqi)>=1):
520 % message " START";
521             if (xpart point k of bqi)=1:
522                 s:=k;
523             else:
524                 s:=j*(xpart ((subpath (j,k) of bqi)
525                     intersectiontimes ((1,-infinity)
526                     -(1,-infinity))));
527             fi;
528             fi;
529             if (((xpart point j of bqi)>=1) and ((xpart point k of bqi)<1))
530                 or (k=length bp[i]):
531 % message " END";
532                 if (xpart point k of bqi)>=1:
533                     t:=k;
534                 else:
535                     t:=j*(xpart ((subpath (j,k) of bqi)
536                         intersectiontimes ((1,-infinity)
537                         -(1,-infinity))));
538                 fi;
539                 if ((t-s)>0.02) and (bo_size[i]>0):
540                     boolean is_cycle;
541                     is_cycle:=((point s of bp[i])=(point t of bp[i]));
542                     p:=subpath (s,t) of bp[i];
543                     q:=subpath (s,t) of bqi;
544 % message "ltimeing..";
545                     numeric ltime[];
546                     ltime[0]:=s;
547 % message decimal s;
548                     for l=1 step 1 until (length p)-1:
549                         ltime[l]:=floor (s+l);
550 % message decimal floor (s+l);

```

```

551         endfor;
552         ltime[length p]:=t;
553 % message decimal t;
554         if make_prf_file:
555             write ("SEGMENT "&(decimal i)&" "&(decimal s)&" "&(decimal t))
556                 to "proof.prf";
557             for lcbj=0 upto length p:
558                 write ("POINT "&(decimal i)&" "&(decimal ltime[lcbj])&" "
559                         &(decimal xpart point lcbj of p)&" "
560                         &(decimal ypart point lcbj of p)) to "proof.prf";
561             endfor;
562         fi;
563         if do_alteration and bo_alterate[i]:
564             default_nib:=fix_nib(bo_size[i]*tsu_brush_max*tsu_brush_shape,
565                                 bo_size[i]*tsu_brush_max*tsu_brush_shape,
566                                 0);
567         else:
568             default_nib:=fix_nib(bo_size[i]*tsu_brush_max,
569                                 bo_size[i]*tsu_brush_max*tsu_brush_shape,
570                                 tsu_brush_angle);
571         fi;
572         path mytip[],glyph;
573         for l=0 step 1 until length(p):
574             mytip[l]:=tsu_brush_tip(l,p,q,bo_size[i],s<1,
575                                   t>(length bp[i])-1,bo_alterate[i]);
576         endfor;
577         pen_stroke(for l=0 step 1 until length(p):
578                 if sharp_corners and known bo_tip[i][ltime[l]]:
579                     tip(bo_tip[i][ltime[l]])(l)
580                 else:
581                     tsu_brush_opt(mytip[l])(l)
582                 fi
583         endfor)(p)(glyph);
584         glstk[npls]:=regenerate(glyph);
585         npls:=npls*1;
586         for l=0 step 1 until length(p):
587             si:=floor (ltime[l]*0.5);
588             if known bo_serif[i][si]:
589                 tsu_serif.choose(bo_serif[i][si],
590                                   point l of p,direction l of p,l,
591                                   bo_size[i],tsu_brush_tip_size(l,q));
592             if make_prf_file:
593                 write ("SERIF "&(decimal bo_serif[i][si])&" "&
594                         (decimal xpart point l of p)&"&
595                         (decimal ypart point l of p)) to "proof.prf";
596             fi;
597         fi;
598     endfor;

```

```

599         fi;
600     fi;
601     endfor;
602 endfor;
603 %
604 % handle bounding circle
605 %
606 if xpart fitcircle>0:
607     beingroup
608     save d,tmppt,pind,xpt,pts,pcnt,tmpxf;
609     pair pts[];
610     transform d;
611     pcnt:=0;
612     for j=0 upto ngls-1:
613         for i=0 step 0.1 until length glstk[j]:
614             pts[pcnt]:=point i of glstk[j];
615             pcnt:=pcnt+1;
616         endfor
617     endfor;
618     j:=1;
619     forever:
620         exitif unknown lcblob[j];
621         for i=0 step 0.1 until length lcblob[j]:
622             pts[pcnt]:=point i of lcblob[j];
623             pcnt:=pcnt+1;
624         endfor;
625         j:=j+1;
626     endfor;
627     save lowpt; numeric lowpt;
628     lowpt:=0;
629     for i=0 upto pcnt-2:
630         for j=i+1 upto pcnt-1:
631             if (i>=lowpt) and (j>=lowpt) and (abs(pts[i]-pts[j])<2):
632                 swap_pts(j,lowpt);
633                 lowpt:=lowpt+1;
634             fi;
635         endfor;
636     endfor;
637     d:=bcircle.internal(lowpt,pcnt,pcnt);
638     transform tmpxf;
639     tmpxf=identity shifted (((0,0) transformed fitcircle)-
640                             ((0,0) transformed d));
641     for j=0 upto ngls-1:
642         glstk[j]:=glsk[j] transformed tmpxf;
643     endfor;
644     j:=1;
645     forever:
646         exitif unknown lcblob[j];

```

```

647         lcblob[j]:=lcblob[j] transformed tmpxf;
648         j:=j+1;
649     endfor;
650 endgroup
651 fi;
652 %
653 % finally render it all
654 %
655 for i=0 upto ngl-1:
656     dangerousFill glstk[i];
657 endfor;
658 j:=1;
659 forever:
660     exitif unknown lcblob[j];
661     dangerousFill lcblob[j];
662     j:=j+1;
663 endfor;
664 endgroup;
665 enddef;
666
667 % the usual case - just render it without fitting into a circle
668 def tsu_render =
669     tsu_render_in_circle(identity scaled -1);
670 enddef;
671
672 transform tsu_xf.smallkana;
673
674 tsu_xf.smallkana = identity shifted (-500,0) scaled 5.5/8 shifted (500,0);
675
676 vardef tsu_xform(expr xform)(text curves) =
677     begingroup
678         save txfsp;
679         txfsp:=sp;
680         curves;
681         size_scale:=(abs(((0,0) transformed xform)
682             -((1,0) transformed xform))
683             *abs(((0,0) transformed xform)
684             -((0,1) transformed xform)))*0.16667;
685         for i=txfsp upto sp-1:
686             bp[i]:=bp[i] transformed xform;
687             if unknown bo_size[i]:
688                 bo_size[i]:=100;
689             fi;
690             bo_size[i]:=bo_size[i]*size_scale;
691             if known prf_box[i]:
692                 prf_box[i]:=prf_box[i] transformed xform;
693             fi;
694         endfor;

```

```

695     j:=1;
696     forever:
697         exitif unknown lcblob[j];
698         lcblob[j]:=lcblob[j] transformed xform;
699         j:=j+1;
700     endfor;
701 endgroup;
702 enddef;
703
704 

---


705
706 % there is some kind of bug in MetaType1 causing it to blow up when
707 % stroking a path at a certain angle of about 290 degrees. Exactly why,
708 % I don't know; the code is documented primarily in Polish and not well
709 % documented at all. The code below is a workaround to prevent it from
710 % evaluating turning angles on zero vectors; in addition to this, it is
711 % sometimes necessary to add extra points to paths to get correct-looking
712 % behaviour.
713
714 % "fixed" version
715 vardef pen_stroke_edge(expr p) =
716   save e_,e___,l_,i_,i___,myflag; path e_[\{\}\{\}],e___[\{\}\{\}];
717   l_:=length(p);
718   for i_:=0 upto l_-1:
719     e_[i_]:=pen_stroke_edge(subpath (i_,i_+1) of p,
720     local_nib_(i_),local_nib_(i_+1));
721   endfor
722   for i_:=0 upto l_ if cycle p: -1 else: -2 fi:
723     i___:=(i_+1) mod l_;
724     boolean myflag;
725     if ((direction 1 of e_[i_])=(0,0)) or ((direction 0 of e_[i___])=(0,0)):
726       myflag:=true;
727     elseif abs(turn_ang(direction 1 of e_[i_], direction 0 of e_[i___]))>1:
728       myflag:=true;
729     else:
730       myflag:=false;
731     fi;
732     if myflag:
733       save t_; (t_.a,t_.b)=e_[i_] intersectiontimes reverse e_[i___];
734       if t_.a>0:
735         e_[i_]:=subpath (0,t_.a) of e_[i_];
736         e_[i___]:=subpath (1-t_.b,1) of e_[i___];
737       elseif known local_tip_(i___):
738         e___1:=extrapolate (0,xpart local_tip_(i___)) of e_[i___];
739         e___2:=extrapolate (ypart local_tip_(i___),1) of e_[i___];
740         save t_; (t_.a,t_.b)=e___1 intersectiontimes reverse e___2;
741         if t_.a>0:
742           e_[i_]:=subpath (0,t_.a) of e___1;

```



```

743     e_[i__]:=subpath (1-t_.b,1) of e___2;
744     fi
745     fi
746     fi
747   endfor
748   for i_:=0 upto l_-1:
749     hide(i__:=i_-1) mod l_)
750     if cycle p or (i_>0):
751       if length((point 1 of e_[i__])-(point 0 of e_[i__]))>1/4ignore_nib_limit:
752         % the constant 1/4ignore_nib_limit| plays a similar role
753         % to that of the ISNAP_TO_NODE| variable in pf2mtl.awk
754         (point 1 of e_[i__])
755         if known local_tip(i_): - else:
756           && pen_join(predir 1 of e_[i__],postdir 0 of e_[i_],point i_ of p,
757             local_nib(i_)) &&
758         fi
759       fi
760     fi
761     % reconstruct le_[i_] (possibly ignoring direction(s)):
762     (point 0 of e_[i_])
763     if is_line(e_[i_]):
764       % this circumvents \{}MF{}/\{}MP{} instable behaviour
765       % (the operator |...| may cause that a control point and
766       % a node coincide; note that this is feature, not a bug),
767       % and thus is advisable:
768       -
769     else:
770       if not ignore_dir(i_): {direction 0 of e_[i_]} fi ...
771       if not ignore_dir(i_+1): {direction 1 of e_[i_]} fi
772     fi
773   endfor
774   if cycle p: cycle else: (point 1 of e_[l_-1]) fi
775   enddef;
776
777   % figure out size of brush
778   (mbrush_width,mbrush_height)=urcorner (
779     fullcircle xscaled (tsu_brush_max*100) yscaled (tsu_brush_max*tsu_brush_shape*100)
780     rotated tsu_brush_angle
781   );
782   alternate_adjust:=abs(mbrush_height-mbrush_width);
783
784   serif_size:=2;

```

frac-intro.mp

```
1 %
2 % Common code for Tsukurimashou fractions
3 % Copyright (C) 2011 Matthew Skala
4 %
5-29 [Standard copyright notice]
30
31 

---


32
33 transform nxf[];
34
35 frac.in.x1=200;
36 frac.in.x2=800;
37 frac.in.y1=latin_wide_baseline;
38 frac.in.y2=latin_wide_top;
39
40 frac.one.y1=0.02[frac.in.y1,frac.in.y2];
41 frac.one.y2=0.40[frac.in.y1,frac.in.y2];
42 frac.one.y3=0.51[frac.in.y1,frac.in.y2];
43 frac.one.y4=0.60[frac.in.y1,frac.in.y2];
44 frac.one.y5=0.98[frac.in.y1,frac.in.y2];
45
46 (frac.one.x1+frac.one.x2)/2=500;
47 frac.one.x2-frac.one.x1=320;
48
49 frac.two.y1=0.04[frac.in.y1,frac.in.y2];
50 frac.two.y2=0.38[frac.in.y1,frac.in.y2];
51 frac.two.y3=0.51[frac.in.y1,frac.in.y2];
52 frac.two.y4=0.62[frac.in.y1,frac.in.y2];
53 frac.two.y5=0.96[frac.in.y1,frac.in.y2];
54
55 (frac.two.x1+frac.two.x3)/2=500;
56 (frac.two.x3-frac.two.x2)=
57 (frac.two.x2-frac.two.x1);
58 frac.two.x3-frac.two.x1=600;
59
60 frac.three.y1=0.06[frac.in.y1,frac.in.y2];
61 frac.three.y2=0.36[frac.in.y1,frac.in.y2];
62 frac.three.y3=0.51[frac.in.y1,frac.in.y2];
63 frac.three.y4=0.64[frac.in.y1,frac.in.y2];
64 frac.three.y5=0.94[frac.in.y1,frac.in.y2];
65
66 (frac.three.x1+frac.three.x4)/2=500;
67 (frac.three.x4-frac.three.x3)=
68 (frac.three.x3-frac.three.x2)=
69 (frac.three.x2-frac.three.x1);
70 frac.three.x4-frac.three.x1=700;
```

```

71
72 frac.four.y1=0.08[frac.in.y1,frac.in.y2];
73 frac.four.y2=0.34[frac.in.y1,frac.in.y2];
74 frac.four.y3=0.51[frac.in.y1,frac.in.y2];
75 frac.four.y4=0.66[frac.in.y1,frac.in.y2];
76 frac.four.y5=0.92[frac.in.y1,frac.in.y2];
77
78 (frac.four.x1+frac.four.x5)/2=500;
79 (frac.four.x5-frac.four.x4)=
80 (frac.four.x4-frac.four.x3)=
81 (frac.four.x3-frac.four.x2)=
82 (frac.four.x2-frac.four.x1);
83 frac.four.x5-frac.four.x1=800;
84
85 frac.half.y1=0.10*latin_vcentre;
86 frac.half.y2=0.82*latin_vcentre;
87 frac.half.y3=latin_vcentre;
88 frac.half.y4=1.18*latin_vcentre;
89 frac.half.y5=1.90*latin_vcentre;
90
91 (frac.half.x1+frac.half.x2)/2=250;
92 frac.half.x2-frac.half.x1=330;
93
94 vardef hexdig(expr d) =
95   if d<10: decimal d else: char (d+87) fi
96 enddef;
97
98 vardef make_digit_set(expr xfm,thispage,place) =
99   numeric ccount;
100  ccount:=0;
101  forsuffices i=zero,one,two,three,four,five,six,seven,eight,nine:
102    begintuglyph("uFF" & thispage & place & hexdig(ccount),
103      hex(place & hexdig(ccount)));
104    tsu_xform(xfm)(tsu_curve.numeral.i);
105    tsu_render;
106    endsuglyph;
107    ccount:=ccount+1;
108  endfor;
109 enddef;

```

latin-intro.mp

```
1 %
2 % Shared code for Tsukurimashou latin
3 % Copyright (C) 2011 Matthew Skala
4 %
5-29 [Standard copyright notice]
30
31 

---


32
33 latin_wide_low_h:=latin_wide_baseline*mbrush_height*0.8;
34 latin_wide_high_h:=latin_wide_top-mbrush_height*0.8;
35 latin_wide_low_r:=latin_wide_baseline*mbrush_height*0.8*7;
36 latin_wide_high_r:=latin_wide_top-mbrush_height*0.8*15;
37 if sharp_corners:
38   latin_wide_low_v:=latin_wide_baseline;
39   latin_wide_high_v:=latin_wide_top;
40 else:
41   latin_wide_low_v:=latin_wide_baseline*mbrush_height*0.8;
42   latin_wide_high_v:=latin_wide_top-mbrush_height*0.8;
43 fi;
44
45 vardef vmetric(expr a) =
46   (a[latin_wide_low_h,latin_wide_high_h])
47 enddef;
48
49 latin_wide_xheight:=vmetric(0.65);
50 latin_wide_xheight_h:=latin_wide_xheight-mbrush_height*0.6;
51 latin_wide_xheight_r:=latin_wide_xheight-mbrush_height*0.6*15;
52 if sharp_corners:
53   latin_wide_xheight_v:=latin_wide_xheight;
54 else:
55   latin_wide_xheight_v:=latin_wide_xheight-mbrush_height*0.5;
56 fi;
57
58 latin_wide_desc:=vmetric(-0.35);
59 latin_wide_desc_h:=latin_wide_desc*mbrush_height*0.6;
60 latin_wide_desc_r:=latin_wide_desc*mbrush_height*0.6*10;
61 if sharp_corners:
62   latin_wide_desc_v:=latin_wide_desc;
63 else:
64   latin_wide_desc_v:=latin_wide_desc*mbrush_height*0.5;
65 fi;
66
67 latin_wide_lc_baselift:=vmetric(0.02);
68
69 transform tsu_xf.accentedcap,tsu_xf.capaccent;
70
```

```
71 xpart tsu_xf.accentedcap=1;  
72 xypart tsu_xf.accentedcap=yxpart tsu_xf.accentedcap=0;  
73 (500,vmetric(0)) transformed tsu_xf.accentedcap=(500,vmetric(0));  
74 (500,vmetric(1)) transformed tsu_xf.accentedcap=(500,vmetric(0.85));  
75  
76 tsu_xf.capaccent=identity shifted (0,vmetric(0.98)-vmetric(0.8));
```

accent.mp

```
1 %
2 % Accents for Tsukurimashou
3 % Copyright (C) 2011 Matthew Skala
4 %
5-29 [Standard copyright notice]
30
31 

---


32
33 vardef tsu_accent.acute(text curves) =
34   curves;
35   bp[sp]:=(500*1.5*tsu_punct_size,vmetric(0.95))-
36     (500-0.5*tsu_punct_size,vmetric(0.78));
37   bp[sp]:=insert_nodes(bp[sp])(0.5);
38   bq[sp]:=(2,2)-(1.6,1.6)-(1.3,1.3);
39   bo_size[sp]:=80;
40   bo_tip[sp][1]:=1;
41   sp:=sp*1;
42 enddef;
43
44 vardef tsu_accent.breve(text curves) =
45   curves;
46   bp[sp]:=(500-1.3*tsu_punct_size,vmetric(0.95)){down}..
47     (500,vmetric(0.82))..
48     {up}(500*1.3*tsu_punct_size,vmetric(0.95));
49   bq[sp]:=(1,1)-(1.9,1.9)-(1,1);
50   bo_size[sp]:=100;
51   sp:=sp*1;
52 enddef;
53
54 vardef tsu_accent.caron(text curves) =
55   curves;
56   bp[sp]:=(500-1.5*tsu_punct_size,vmetric(0.95))-
57     (500,vmetric(0.80))-
58     (500*1.5*tsu_punct_size,vmetric(0.95));
59   bq[sp]:=(2,2)-(1.4,1.4)-(1.4,1.4);
60   bo_size[sp]:=80;
61   bo_tip[sp][1]:=1;
62   sp:=sp*1;
63 enddef;
64
65 vardef tsu_accent.caron_apostrophe(expr xoffs)(text curves) =
66   begingroup
67     save xright,xsp;
68     xsp:=sp;
69     tsu_xform(identity shifted (-100,0))(curves);
70     xright:=-infinity;
```

```

71   for i=xsp upto sp-1:
72     if xpart lrcorner bp[i]>xright:
73       xright:=xpart lrcorner bp[i];
74     fi;
75   endfor;
76   tsu_curve.punct.make_comma((xright*xoffs+230,vmetric(0.94)),0);
77 endgroup;
78 enddef;
79
80 vardef tsu_accent.cedilla(text curves) =
81   curves;
82   bp[sp]:=(0,0)-(-0.3;1.8){curl 0.7}..(2.6;-2.5)..{curl 0.2}(-2.5;3.0);
83   bp[sp]:=bp[sp] scaled (0.5*tsu_punct_size) shifted (500,latin_wide_low_r);
84   bq[sp]:=(1.4,1.4)-(1.4,1.4)-(1.7,1.7)-(1.3,1.3);
85   bo_size[sp]:=80;
86   bo_tip[sp][1]:=1;
87   sp:=sp+1;
88 enddef;
89
90 vardef tsu_accent.circumflex(text curves) =
91   curves;
92   bp[sp]:=(500-1.5*tsu_punct_size,vmetric(0.80))-
93     (500,vmetric(0.95))-
94     (500+1.5*tsu_punct_size,vmetric(0.80));
95   bq[sp]:=(1.6,1.6)-(2,2)-(1.6,1.6);
96   bo_size[sp]:=80;
97   bo_tip[sp][1]:=1;
98   sp:=sp+1;
99 enddef;
100
101 vardef tsu_accent.commabelow(text curves) =
102   curves;
103   tsu_curve.punct.make_comma((520,vmetric(-0.21)),0);
104 enddef;
105
106 vardef tsu_accent.dotabove(text curves) =
107   curves;
108   lcblob1:=fullcircle rotated 45 scaled (mbrush_width*1.72+50)
109     shifted ((500,vmetric(0.88))
110       transformed tsu_rescale_xform)
111     transformed inverse tsu_rescale_xform;
112 enddef;
113
114 vardef tsu_accent.grave(text curves) =
115   curves;
116   bp[sp]:=(500-1.5*tsu_punct_size,vmetric(0.95))-
117     (500+0.5*tsu_punct_size,vmetric(0.78));
118   bp[sp]:=insert_nodes(bp[sp])(0.5);

```

```

119 bq[sp]:=(2,2)-(1.6,1.6)-(1.3,1.3);
120 bo_size[sp]:=80;
121 bo_tip[sp][1]:=1;
122 sp:=sp*1;
123 enddef;
124
125 vardef tsu_accent.heavy_metal_umlaut(text curves) =
126 curves;
127 lcblob1:=(up-left-down-right-cycle) scaled (mbrush_width*1.5*30)
128   shifted ((520-1.5*tsu_punct_size,vmetric(0.88))
129     transformed tsu_rescale_xform)
130   transformed inverse tsu_rescale_xform;
131 lcblob2:=(up-left-down-right-cycle) scaled (mbrush_width*1.5*30)
132   shifted ((520+1.5*tsu_punct_size,vmetric(0.88))
133     transformed tsu_rescale_xform)
134   transformed inverse tsu_rescale_xform;
135 enddef;
136
137 vardef tsu_accent.hungarian_umlaut(text curves) =
138 curves;
139 bp[sp]:=(500+1.7*tsu_punct_size,vmetric(0.95))-
140   (500+0.7*tsu_punct_size,vmetric(0.78));
141 bp[sp]:=insert_nodes(bp[sp])(0.5);
142 bq[sp]:=(2,2)-(1.6,1.6)-(1.3,1.3);
143 bo_size[sp]:=80;
144 bo_tip[sp][1]:=1;
145 bp[sp*1]:=(500-0.4*tsu_punct_size,vmetric(0.95))-
146   (500-1.4*tsu_punct_size,vmetric(0.78));
147 bp[sp*1]:=insert_nodes(bp[sp*1])(0.5);
148 bq[sp*1]:=(2,2)-(1.6,1.6)-(1.3,1.3);
149 bo_size[sp*1]:=80;
150 bo_tip[sp*1][1]:=1;
151 sp:=sp*2;
152 enddef;
153
154 vardef tsu_accent.lcslash(text curves) =
155 curves;
156 bp[sp]:=((-1,1.3)-(1,1.3))
157   scaled ((latin_wide_xheight_r-latin_wide_low_r)/2)
158   shifted (xpart centre_pt,(latin_wide_xheight_r*latin_wide_low_r)/2);
159 bq[sp]:=(2,2)-(2,2);
160 bo_size[sp]:=80;
161 sp:=sp*1;
162 enddef;
163
164 vardef tsu_accent.macron(text curves) =
165 curves;
166 bp[sp]:=(500-1.75*tsu_punct_size,vmetric(0.82))-

```



```

167   (500*1.75*tsu_punct_size,vmetric(0.82));
168   bq[sp]:=(2,2)-(2,2);
169   bo_size[sp]:=80;
170   sp:=sp*1;
171   enddef;
172
173   vardef tsu_accent.ringabove(text curves) =
174     curves;
175     lcblob1:=fullcircle rotated 45 scaled (2*tsu_punct_size)
176       shifted ((500,vmetric(0.83-0.03*mincho)-10)
177         transformed tsu_rescale_xform)
178       transformed inverse tsu_rescale_xform;
179     lcblob2:=reverse fullcircle rotated 45
180       scaled (2*tsu_punct_size-100*tsu_brush_max)
181       shifted ((500,vmetric(0.83-0.03*mincho)-10)
182         transformed tsu_rescale_xform)
183       transformed inverse tsu_rescale_xform;
184   enddef;
185
186   vardef tsu_accent.tilde(text curves) =
187     curves;
188     bp[sp]:=((-3.5,-0.5){curl 0}..(-1.4,1)..(0,0)..(1.4,-1)..{curl 0}(3.5,0.5))
189       rotated 5 xyscaled (0.7*tsu_punct_size,0.5*tsu_punct_size)
190       shifted (500,vmetric(0.85));
191     bp[sp]:=insert_nodes(bp[sp])(0.5,3.5);
192     bq[sp]:=(0.7,2.7)-(1.7,1.7)-(1.7,1.7)-(1.7,1.7)-(1.7,1.7)-
193       (1.7,1.7)-(0.7,2.7);
194     bo_size[sp]:=80;
195     sp:=sp*1;
196   enddef;
197
198   vardef tsu_accent.ucslash(text curves) =
199     curves;
200     bp[sp]:=((-1,-1.3)-(1,1.3))
201       scaled ((latin_wide_high_r-latin_wide_low_r)/2)
202       shifted centre_pt;
203     bq[sp]:=(2,2)-(2,2);
204     bo_size[sp]:=80;
205     sp:=sp*1;
206   enddef;
207
208   vardef tsu_accent.umlaut(text curves) =
209     curves;
210     lcblob1:=fullcircle rotated 45 scaled (mbrush_width*1.72*50)
211       shifted ((520-1.5*tsu_punct_size,vmetric(0.88))
212         transformed tsu_rescale_xform)
213       transformed inverse tsu_rescale_xform;
214     lcblob2:=fullcircle rotated 45 scaled (mbrush_width*1.72*50)

```

```
215     shifted ((520*1.5*tsu__punct__size,vmetric(0.88))
216             transformed tsu__rescale__xform)
217     transformed inverse tsu__rescale__xform;
218 enddef;
219
220 

---


221
222 vardef tsu__accent.capital(suffix acctype)(text curves) =
223   begingroup;
224   save xsp,ysp;
225   tsu__accent.acctype(
226     tsu__xform(tsu__xf.accentedcap)(curves);xsp:=sp);
227   ysp:=sp;
228   sp:=xsp;
229   tsu__xform(tsu__xf.capaccent)(sp:=ysp);
230 endgroup;
231 enddef;
```

bottomrad.mp

```
1 %
2 % Radicals for bottom (often special forms of other radicals)
3 % Copyright (C) 2011 Matthew Skala
4 %
5-29 [Standard copyright notice]
30
31 

---


32
33 vardef tsu_curve.kanji.bottomrad.four_ticks =
34   add_proof_box("kanji.bottomrad.four_ticks");
35   bp[sp]:=(210,750)..tension 1.2..(160,250)..(100,30);
36   bq[sp]:=(1.1,1.1)-(1.4,1.4)-(1.9,1.9);
37   bp[sp*1]:=(350,700)..tension 1.2..(390,300)..(400,50);
38   bq[sp*1]:=(1.1,1.1)-(1.4,1.4)-(1.9,1.9);
39   bp[sp*2]:=(540,750)..tension 1.2..(610,320)..(630,40);
40   bq[sp*2]:=(1.1,1.1)-(1.4,1.4)-(1.9,1.9);
41   bp[sp*3]:=(740,800)..tension 1.2..(850,360)..(890,-20);
42   bq[sp*3]:=(1.1,1.1)-(1.4,1.4)-(1.9,1.9);
43   sp:=sp*4;
44 enddef;
45
46 vardef tsu_curve.kanji.bottomrad.moon =
47   add_proof_box("kanji.bottomrad.moon");
48   bp[sp]:=(250,-20)..{up}(250,760)-(750,760);
49   bq[sp]:=(1.4,1.4)-(1.6,1.6)-(1.6,1.6);
50   build_kanji.add_jtail(sp);
51   bo_tip[sp][1]:=1;
52   bo_tip[sp][2]:=1;
53   bo_serif[sp][1]:=4;
54   bo_serif[sp][2]:=4;
55   bp[sp*1]:=(250,520)-(750,520);
56   bq[sp*1]:=(1.5,1.5)-(1.5,1.5);
57   bp[sp*2]:=(250,270)-(750,270);
58   bq[sp*2]:=(1.5,1.5)-(1.5,1.5);
59   sp:=sp*3;
60 enddef;
```

dakuten.mp

```
1 %
2 % Dakuten and handakuten for Tsukurimashou
3 % Copyright (C) 2011 Matthew Skala
4 %
5-29 [Standard copyright notice]
30
31 

---


32
33 vardef tsu_curve.dakuten(expr xf) =
34   bp[sp]:=(-80,10)..(-35,35)..(10,90)) transformed xf;
35   bq[sp]:=(1,1)..(1.4,1.4)..(1.8,1.8);
36   bo_size[sp]:=85;
37   bo_serif[sp][2]:=4;
38
39   bp[sp*1]:=((0,80)..(50,30)..(100,30)) transformed xf;
40   bq[sp*1]:=(1,1)..(1.4,1.4)..(1.8,1.8);
41   bo_size[sp*1]:=85;
42   bo_serif[sp*1][2]:=4;
43
44   prf_box[sp]:=identity shifted (-0.4,-0.5) scaled 200 rotated -50
45     transformed xf;
46   prf_box_name[sp]:="dakuten";
47
48   sp:=sp*2;
49 enddef;
50
51 vardef tsu_curve.handakuten(expr location) =
52   lcblob1:=fullcircle scaled handakuten_outer shifted location
53     transformed inverse tsu_rescale_xform;
54   lcblob2:=reverse fullcircle scaled handakuten_inner shifted location
55     transformed inverse tsu_rescale_xform;
56 enddef;
```

enclosed.mp

```
1 %
2 % Enclosed characters for Tsukurimashou
3 % Copyright (C) 2011 Matthew Skala
4 %
5-29 [Standard copyright notice]
30
31 

---


32
33 vardef tsu_curve.circle.single =
34   Fill fullcircle scaled (810*53*tsu_brush_max) shifted centre_pt;
35   unFill reverse fullcircle scaled (810-53*tsu_brush_max) shifted centre_pt;
36 enddef;
37
38 vardef tsu_curve.circle.double =
39   Fill fullcircle scaled (880*60*tsu_brush_max) shifted centre_pt;
40   unFill reverse fullcircle scaled (880-20*tsu_brush_max) shifted centre_pt;
41   Fill fullcircle scaled (740*40*tsu_brush_max) shifted centre_pt;
42   unFill reverse fullcircle scaled (740-40*tsu_brush_max) shifted centre_pt;
43 enddef;
44
45 vardef tsu_curve.square.single(text curves) =
46   tsu_xform(tsu_xf.sletter)(curves);
47   bp[sp]:=(500,790)-(100,790)-(100,10)-(900,10)-(900,790)-cycle;
48   bq[sp]:=(2,2)-(2,2)-(2,2)-(2,2)-(2,2)-cycle;
49   bo_size[sp]:=80;
50   bo_tip[sp][1]:=1;
51   bo_tip[sp][2]:=1;
52   bo_tip[sp][3]:=1;
53   bo_tip[sp][4]:=1;
54   sp:=sp*1;
55 enddef;
56
57 

---


58
59 transform tsu_xf.circled;
60 xypart tsu_xf.circled=yypart tsu_xf.circled=0.68;
61 xypart tsu_xf.circled=yxpart tsu_xf.circled=0;
62 centre_pt transformed tsu_xf.circled=centre_pt;
63
64 transform tsu_xf.cletter;
65 xypart tsu_xf.cletter=yypart tsu_xf.cletter=0.56;
66 xypart tsu_xf.cletter=yxpart tsu_xf.cletter=0;
67 centre_pt transformed tsu_xf.cletter=centre_pt;
68
69 transform tsu_xf.ctwo.left;
70 xypart tsu_xf.ctwo.left=yypart tsu_xf.ctwo.left=0.48;
```

```
71 xypart tsu_xf.ctwo.left=yxpart tsu_xf.ctwo.left=0;
72 (centre_pt*290*right) transformed tsu_xf.ctwo.left=centre_pt;
73
74 transform tsu_xf.ctwo.right;
75 xxpart tsu_xf.ctwo.right=yypart tsu_xf.ctwo.right=0.48;
76 xypart tsu_xf.ctwo.right=yxpart tsu_xf.ctwo.right=0;
77 (centre_pt*310*left) transformed tsu_xf.ctwo.right=centre_pt;
78
79 transform tsu_xf.sletter;
80 xxpart tsu_xf.sletter=yypart tsu_xf.sletter=0.71;
81 xypart tsu_xf.sletter=yxpart tsu_xf.sletter=0;
82 centre_pt transformed tsu_xf.sletter=centre_pt*10*up;
83
84 

---

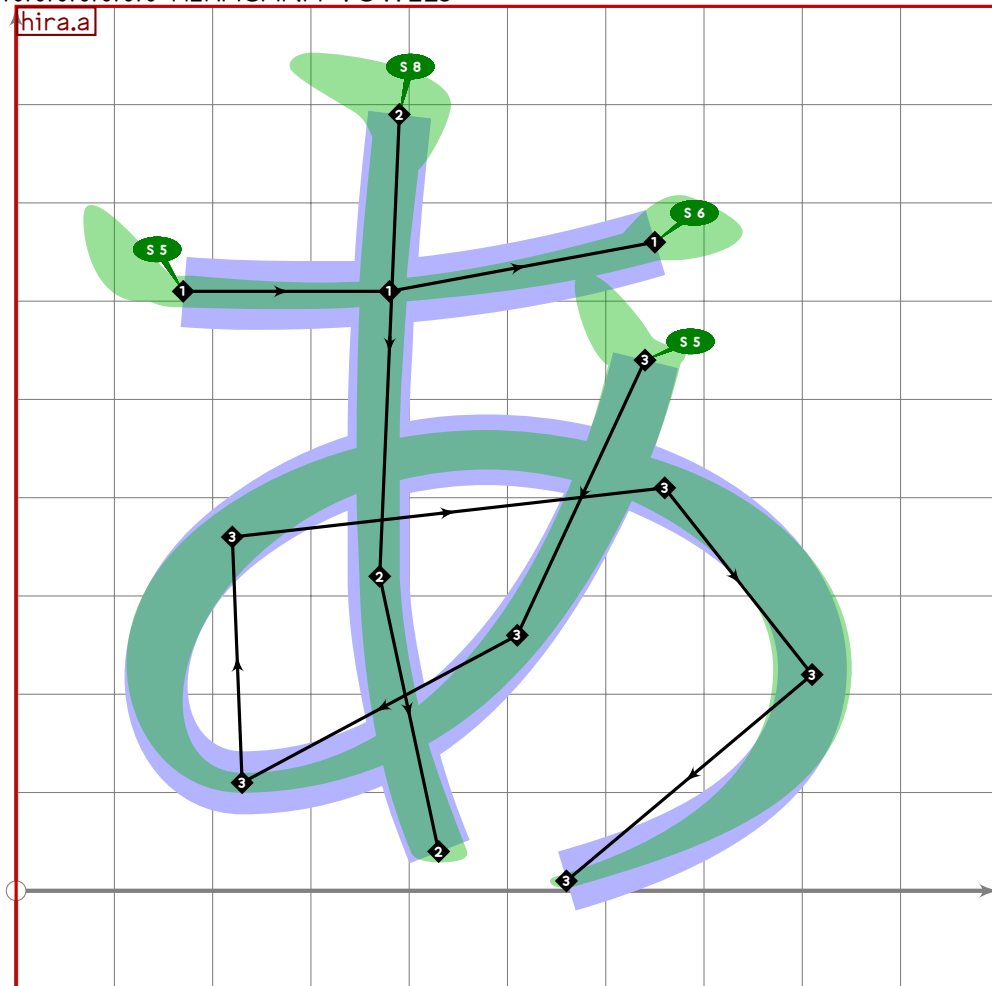

85
86 transform tsu_xf.cbound;
87 tsu_xf.cbound=identity scaled 340 shifted centre_pt;
```

hiragana.mp

```
1 %  
2 % Hiragana for Tsukurimashou  
3 % Copyright (C) 2011 Matthew Skala  
4 %  
5-29 [Standard copyright notice]  
30  
31 _____  
32
```

Hiragana Vowels

```
33 %%%%%%%%%% HIRAGANA VOWELS
```



```
34  
35 vardef tsu_curve.hira.a =  
36   add_proof_box("hira.a");  
37   bp[sp]:=(170,610)..(380,610)..(650,660);  
38   bq[sp]:=(1.6,1.7)-(1.4,1.4)-(1.6,1.6);  
39   bo_serif[sp][0]:=5;  
40   bo_serif[sp][2]:=6;  
41
```

```

42 bp[sp*1]:=(390,790)..tension 1.5..(370,320)..(430,40);
43 bq[sp*1]:=(1.2,1.2)-(1.1,1.1)-(1.3,1.3);
44 bo_serif[sp*1][0]:=8;
45
46 bp[sp*2]:=(640,540)..tension 1.2..(510,260)..(230,110){left}..
47 (220,360)..(660,410)..(810,220)..{curl 0}(560,10);
48 bq[sp*2]:=(1.5,1.5)-(1.4,1.4)-(1.2,1.2)-
49 (1.7,1.7)-(1.8,1.8)-(1.6,1.6)-(1,1);
50 bo_serif[sp*2][0]:=5;
51 sp:=sp*3;
52 enddef;

```



```

53
54 vardef tsu_curve.hira.i =
55   add_proof_box("hira.i");
56   bp[sp]:=(150,640)..(165,566)..(220,250)..(310,110)..{curl 0}(430,220);
57   bq[sp]:=(1.6,1.6)..(1.6,1.6)..(1.3,1.3)..(1.8,1.8)..(1,1);
58   bo_serif[sp][0]:=5;
59
60   bp[sp*1]:=(740,620)..(831,470)..(880,290);
61   bq[sp*1]:=(1,1)..(1.3,1.3)..(1.4,1.4);
62   sp:=sp*2;

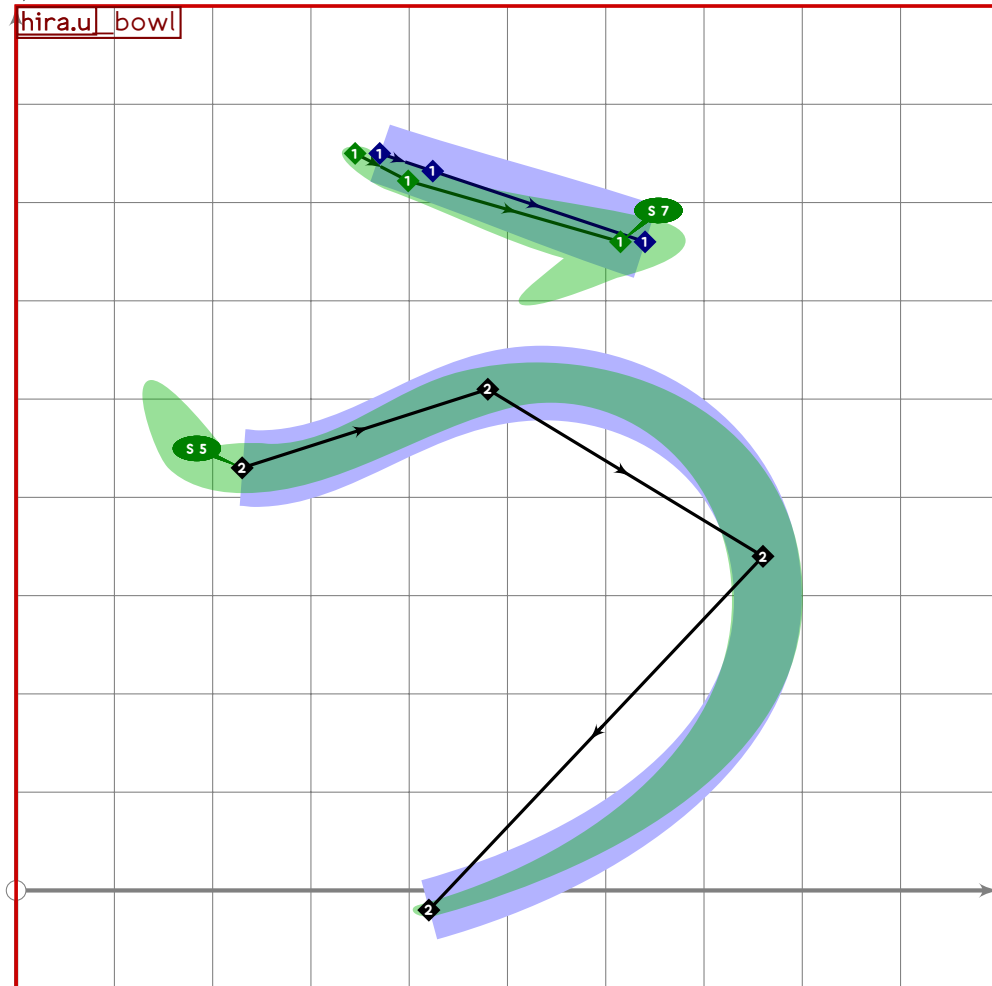
```



```

63 endif;
64
65 vardef tsu_curve.hira.u_bowl =
66   add_proof_box("hira.u_bowl");
67   bp[sp]:=(230,430){dir 355}..(480,510)..(760,340)..{curl 0.1}(420,-20);
68   bq[sp]:=(2.3,2.3)..(2,2)..(1.5,1.5)..(1,1);
69   bo_serif[sp][0]:=5;
70   sp:=sp*1;
71 endif;

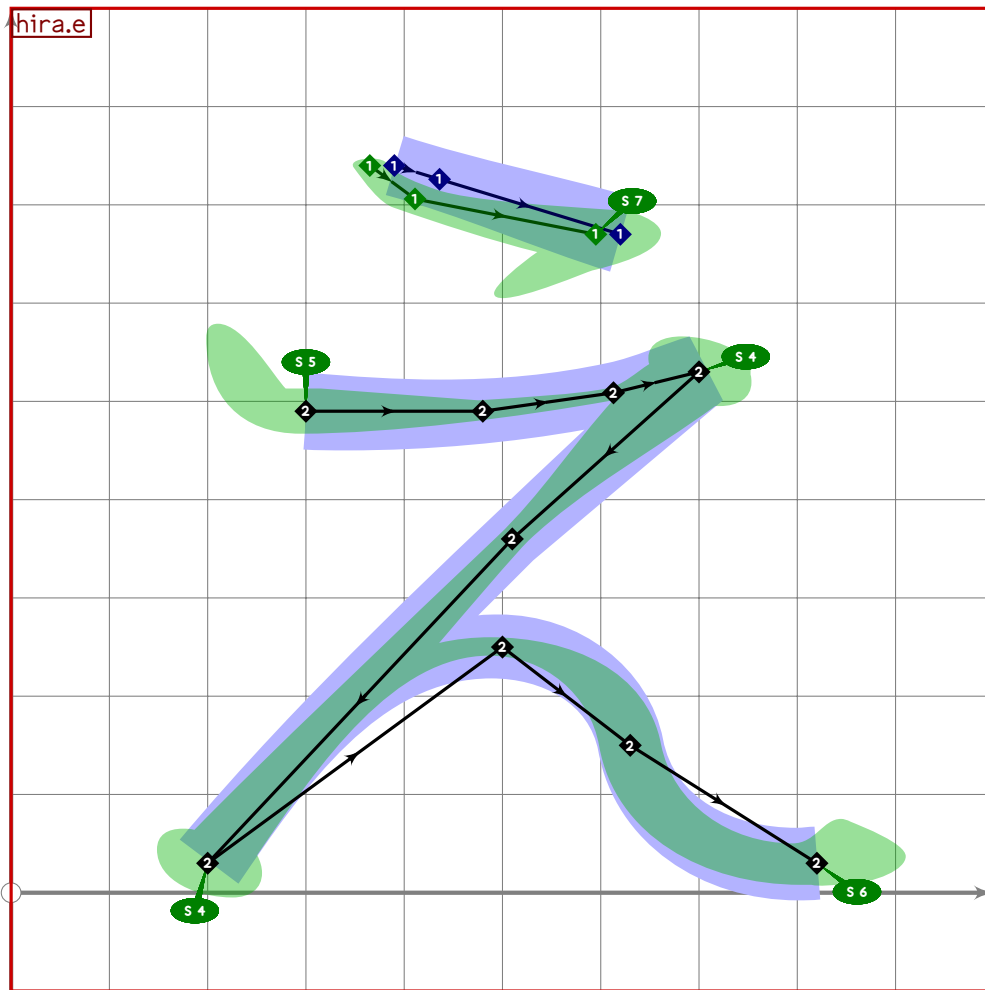
```



```

72
73 vardef tsu_curve.hira.u =
74   add_proof_box("hira.u");
75   bp[sp]:=(370,750)..(0.2[(370,750),(640,660)]*10*down*mincho)..
76   tension 2..(640,660);
77   bp[sp]:=bp[sp] shifted (25*left*mincho);
78   bq[sp]:=(1,1)..(1.4,1.4)..(2.3,2.3);
79   bo_serif[sp][2]:=7;
80   sp:=sp*1;
81   tsu_curve.hira.u_bowl;
82 endif;

```



```

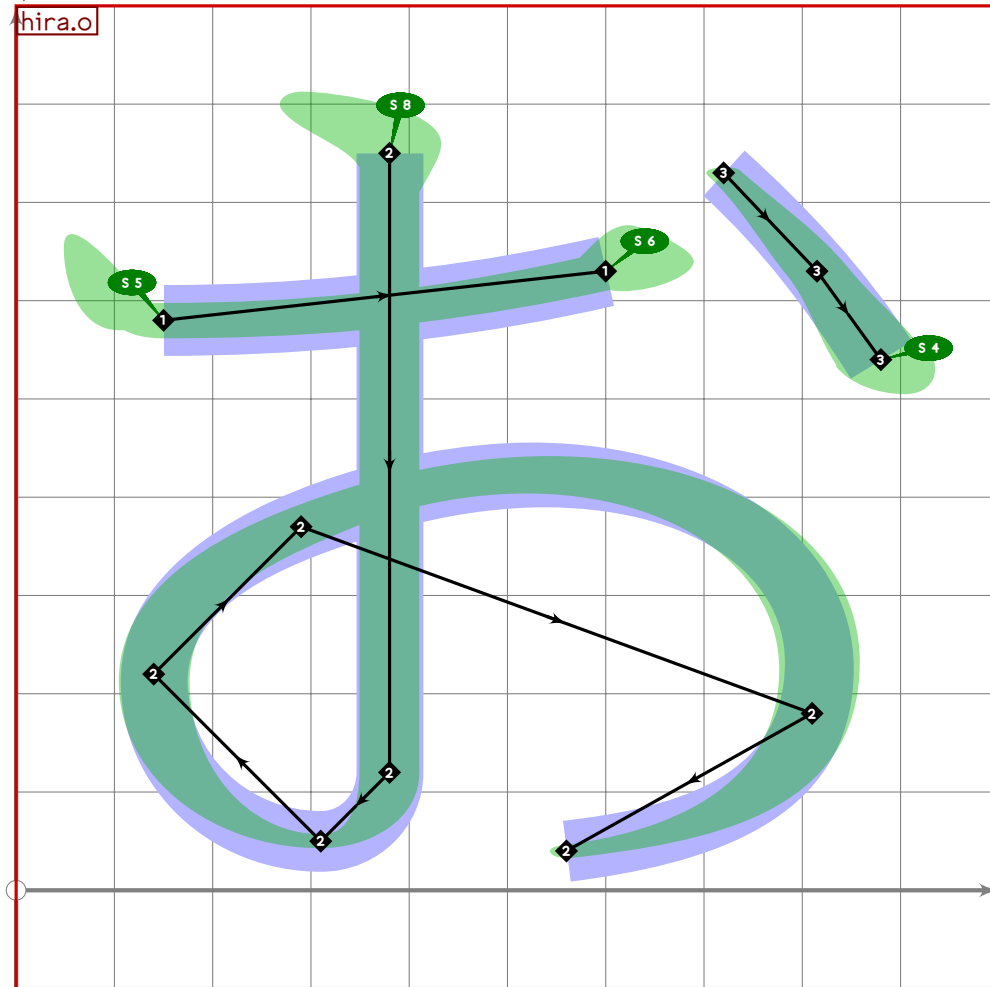
83
84 vardef tsu_curve.hira.e =
85   add_proof_box("hira.e");
86   bp[sp]:=(390,740)..(0.2[(390,740),(620,670)]*20*down*mincho)..
87     tension 2..(620,670);
88   bp[sp]:=bp[sp] shifted (25*left*mincho);
89   bq[sp]:=(1,1)..(1.4,1.4)..(2.3,2.3);
90   bo_serif[sp][2]:=7;
91
92   bp[sp*1]:=(300,490)..(480,490)..{curl 1}{(700,530){curl 1}..
93     (510,360)..{curl 1}{(200,30){curl 0}..
94     (500,250)..(630,150){dir 280}..{dir 5}{(820,30);
95   bp[sp*1]:=insert_nodes(bp[sp*1])(1.6);
96   bq[sp*1]:=(2.2,2.2)-(1.3,1.3)-(1,1)-(2.01,2.01)
97     -(1,1)-(1.7,1.7)
98     -(1.2,1.2)-(1.4,1.4)-(2,2);
99   bo_tip[sp*1][3]:=0;
100  bo_tip[sp*1][5]:=0;
101  bo_serif[sp*1][0]:=5;
102  bo_serif[sp*1][3]:=4;
103  bo_serif[sp*1][5]:=4;

```

```

104 bo_serif[sp*1][8]:=6;
105 sp:=sp*2;
106 enddef;

```



```

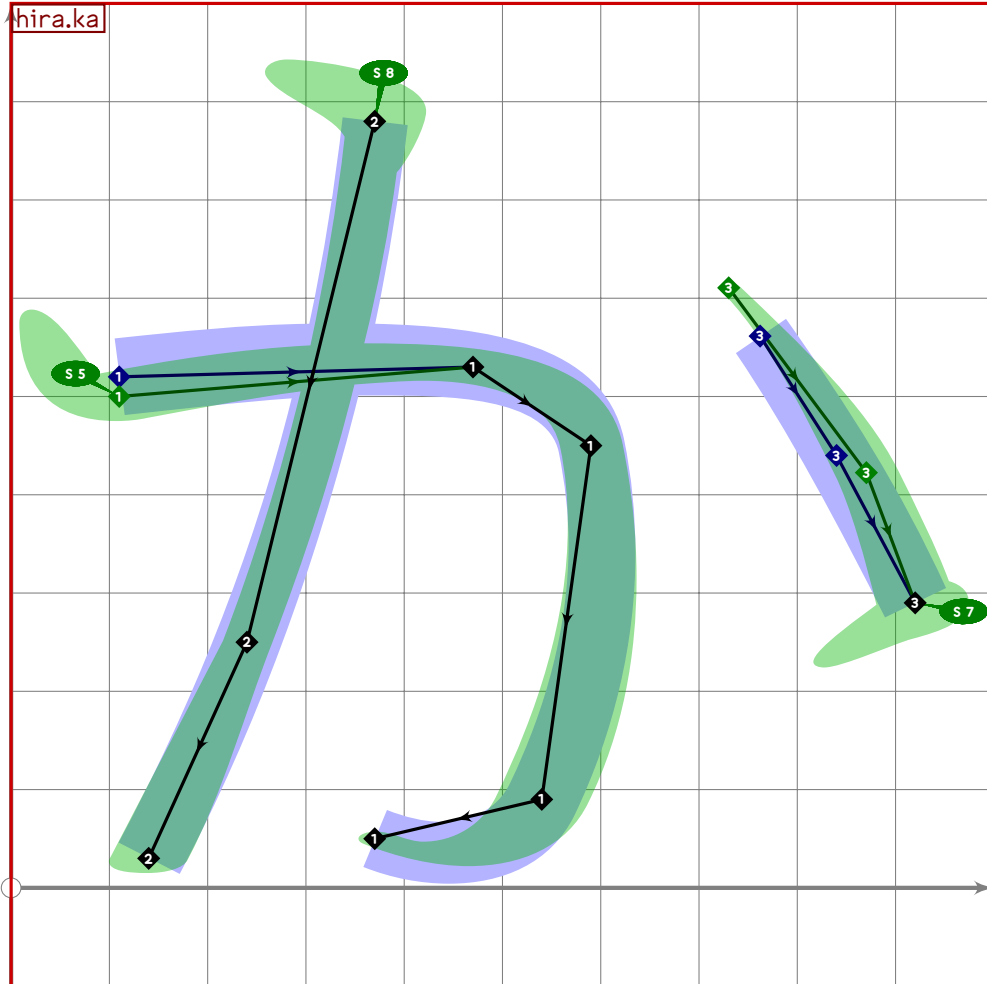
107
108 vardef tsu_curve.hira.o =
109   add_proof_box("hira.o");
110   bp[sp]:=(150,580){right}..(600,630);
111   bq[sp]:=(1,8,1,8)..(1,8,1,8);
112   bo_serif[sp][0]:=5;
113   bo_serif[sp][1]:=6;
114
115   bp[sp*1]:=(380,750)..(380,120){down}..(310,50){left}..tension 1.1..
116     (140,220)..(290,370)..(810,180)..{curl 0}(560,40);
117   bq[sp*1]:=(1,4,1,4)..(1,3,1,3)..(1,1)..(1,5,1,5)..(1,6,1,6)..
118     (1,6,1,6)..(1,1);
119   bo_serif[sp*1][0]:=8;
120
121   bp[sp*2]:=(720,730)..(815,630)..(880,540);
122   bq[sp*2]:=(1,1)..(1,4,1,4)..(1,8,1,8);
123   bo_serif[sp*2][2]=4;
124   sp:=sp*3;

```

125 enddef;
126

Hiragana Kakikukeko/Gagigugego

127 %%%%%%%%% HIRAGANA KAKIKUKEKO/GAGIGUGEGO

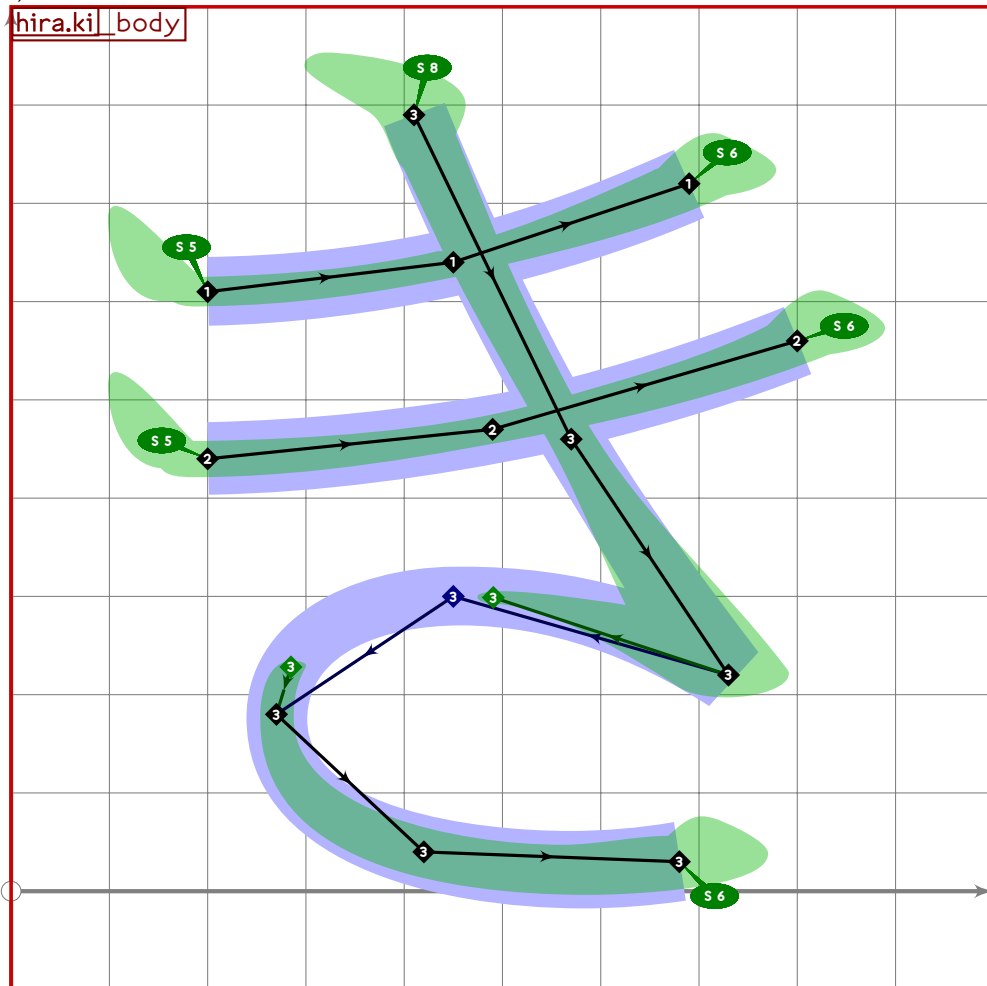


```
128
129 vardef tsu_curve.hira.ka =
130   add_proof_box("hira.ka");
131   bp[sp]:=((110,520)+20*mincho*down){curl 0}..(470,530)..(590,450)..
132     tension 2..(540,90)..{curl 0.3}(370,50);
133   bq[sp]:=(2.3,2.3)..(1.7,1.7)..(1.4,1.4)..(1.8,1.8)..(1,1);
134   bo_serif[sp][0]:=5;
135
136   bp[sp*1]:=(370,780)..(240,250)..(140,30);
137   bq[sp*1]:=(1.3,1.3)..(1.2,1.2)..(1.6,1.6);
138   bo_serif[sp*1][0]:=8;
139
140   bp[sp*2]:=(720,620)..((840,440)+35*mincho*(dir -30))..(920,290);
141   bq[sp*2]:=(0.8,0.8)..(1.4,1.4)..(1.6,1.6);
142   bo_serif[sp*2][2]:=7;
143   sp:=sp+3;
```

```

144 endif;
145
146 vardef tsu_curve.hira.ki_body =
147   add_proof_box("hira.ki_body");
148   bp[sp]:=(410,790)..(570,460)..{curl 1}(730,220){curl 1}..
149     (450,300)..(270,180)..(420,40)..(680,30);
150   bq[sp]:=(1.4,1.4)-(1.2,1.2)-(2.3,2)-(0.60,1)..(0.9,1.1)..
151     (2.1,2.1)..(2.4,2.4);
152   bo_tip[sp][2]:=0;
153   bo_serif[sp][0]:=8;
154   bo_serif[sp][6]:=6;
155   sp:=sp*1;
156 endif;

```



```

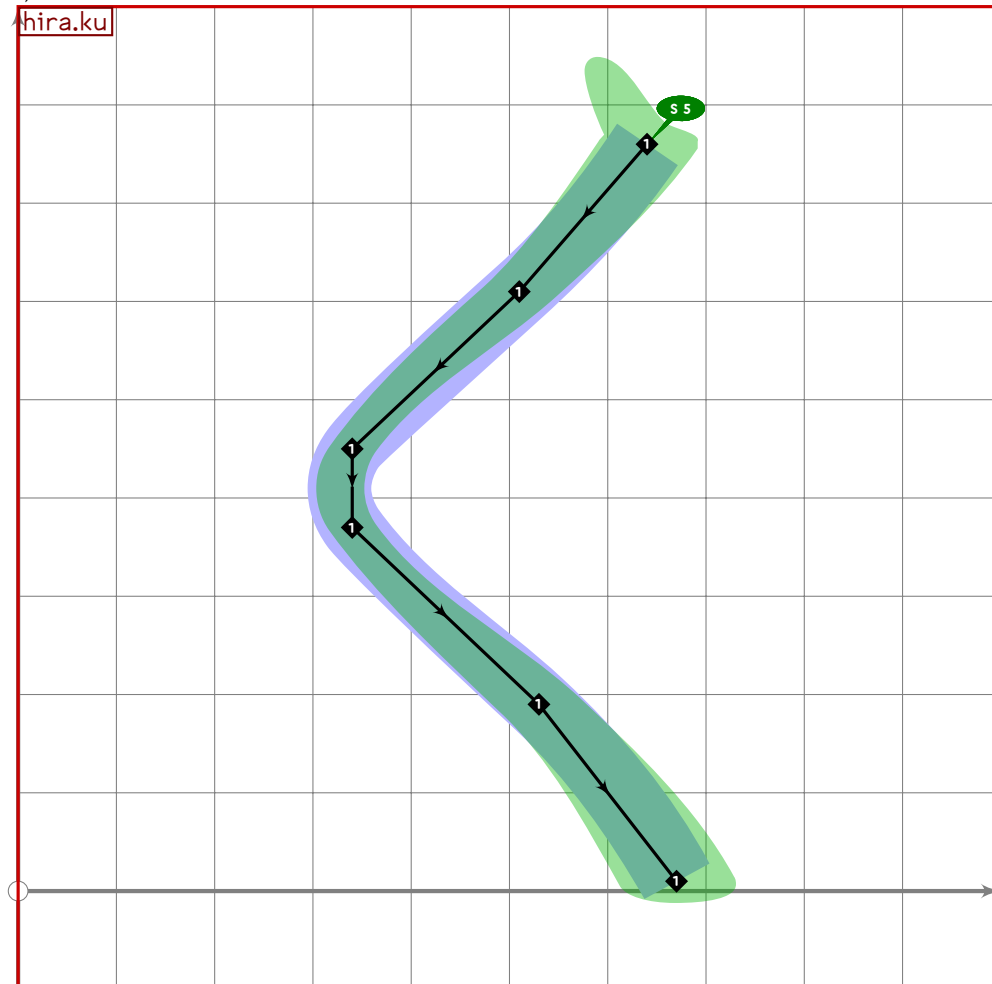
157
158 vardef tsu_curve.hira.ki =
159   add_proof_box("hira.ki");
160   bp[sp]:=(200,610)..(450,640)..(690,720);
161   bq[sp]:=(1.6,1.6)-(1.4,1.4)-(1.9,1.9);
162   bo_serif[sp][0]:=5;
163   bo_serif[sp][2]:=6;
164

```

```

165 bp[sp*1]:=(200,440)..(490,470)..(800,560);
166 bq[sp*1]:=(1,9,1,9)-(1,5,1,5)-(1,9,1,9);
167 bo_serif[sp*1][0]:=5;
168 bo_serif[sp*1][2]:=6;
169 sp:=sp*2;
170 tsu_curve.hira.ki_body;
171 enddef;

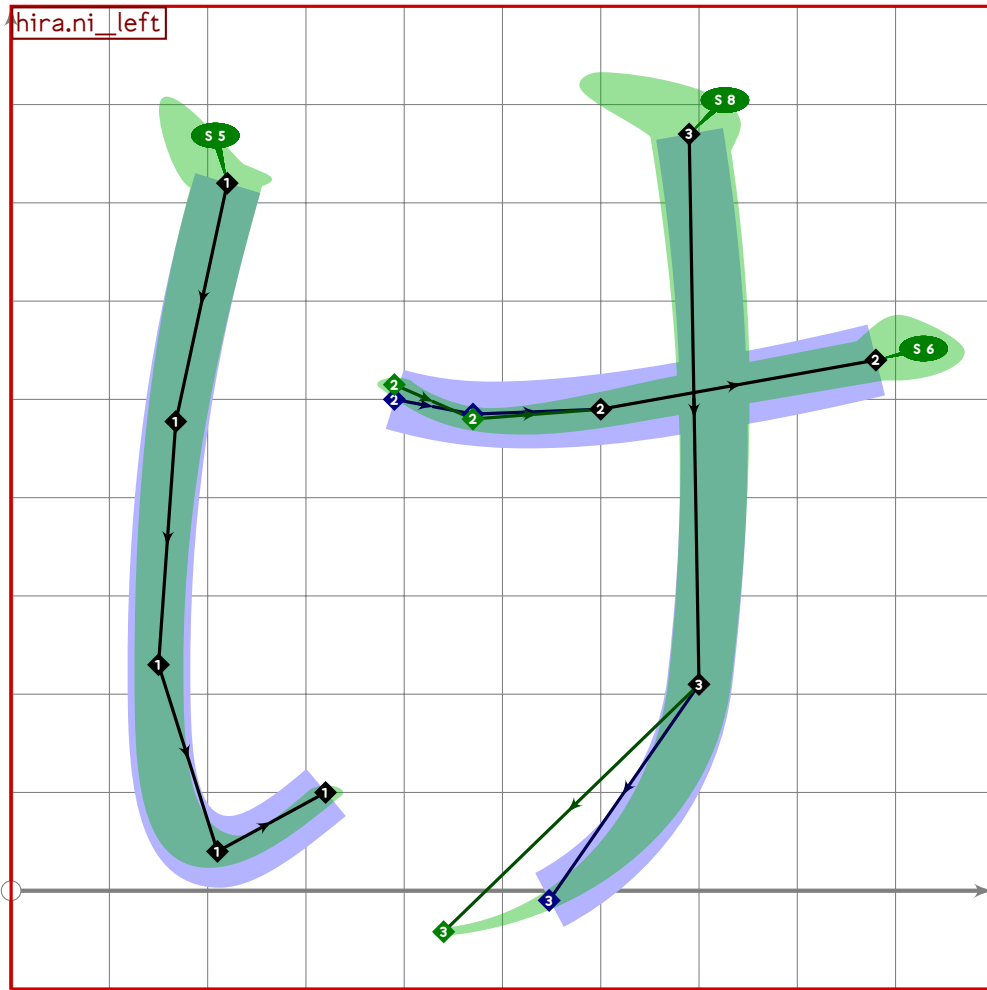
```



```

172
173 vardef tsu_curve.hira.ku =
174   add_proof_box("hira.ku");
175   bp[sp]:=(640,760)..(510,610)..(340,450)..
176     tension 0.75..(340,370)..(530,190)..(670,10);
177   bq[sp]:=(1,9,1,9)..(1,6,1,6)..(1,2,1,2)..(1,2,1,2)..(1,7,1,7)..(2,1,2,1);
178   bo_serif[sp][0]:=5;
179   sp:=sp*1;
180 enddef;

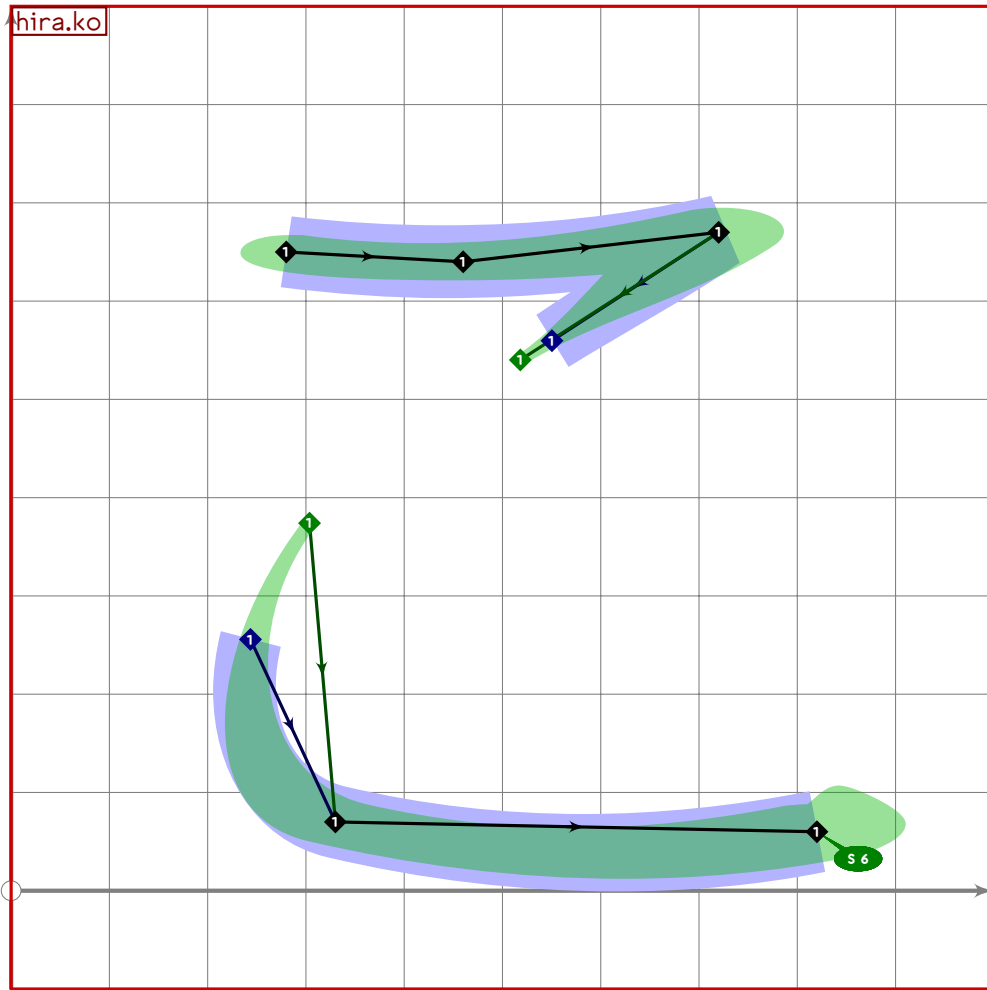
```



```

181
182 vardef tsu_curve.hira.ke =
183   add_proof_box("hira.ke");
184   tsu_curve.hira.ni_left;
185
186   bp[sp]:=(390,500+15*mincho)..(470,485-5*mincho)..(600,490)..(880,540);
187   bq[sp]:=(1,1)..(1.4,1.4)..(1.8,1.8)..(2,2);
188   bo_serif[sp][3]:=6;
189
190   bp[sp*1]:=(690,770)..tension 2..(700,210)..(280,10);
191   bq[sp*1]:=(1.6,1.6)-(1.4,1.4)-(0.6,0.6);
192   bo_serif[sp*1][0]:=8;
193   sp:=sp*2;
194 enddef;

```



```

195
196 vardef tsu_curve.hira.ko =
197   add_proof_box("hira.ko");
198   bp[sp]:=(280,650)..(460,640)..{curl 1}(720,670){curl 1}..
199     (450,500)..(330,70)..tension 2.4..(820,60);
200   bq[sp]:=(1,8,1,8)-(1,9,1,9)-(2,3,2,3)-
201     (0,35,0,25)-(2,2,1,8)..(2,8,2,4);
202   bo_tip[sp][2]=0;
203   bo_serif[sp][5]=6;
204   sp:=sp*1;
205 enddef;
206

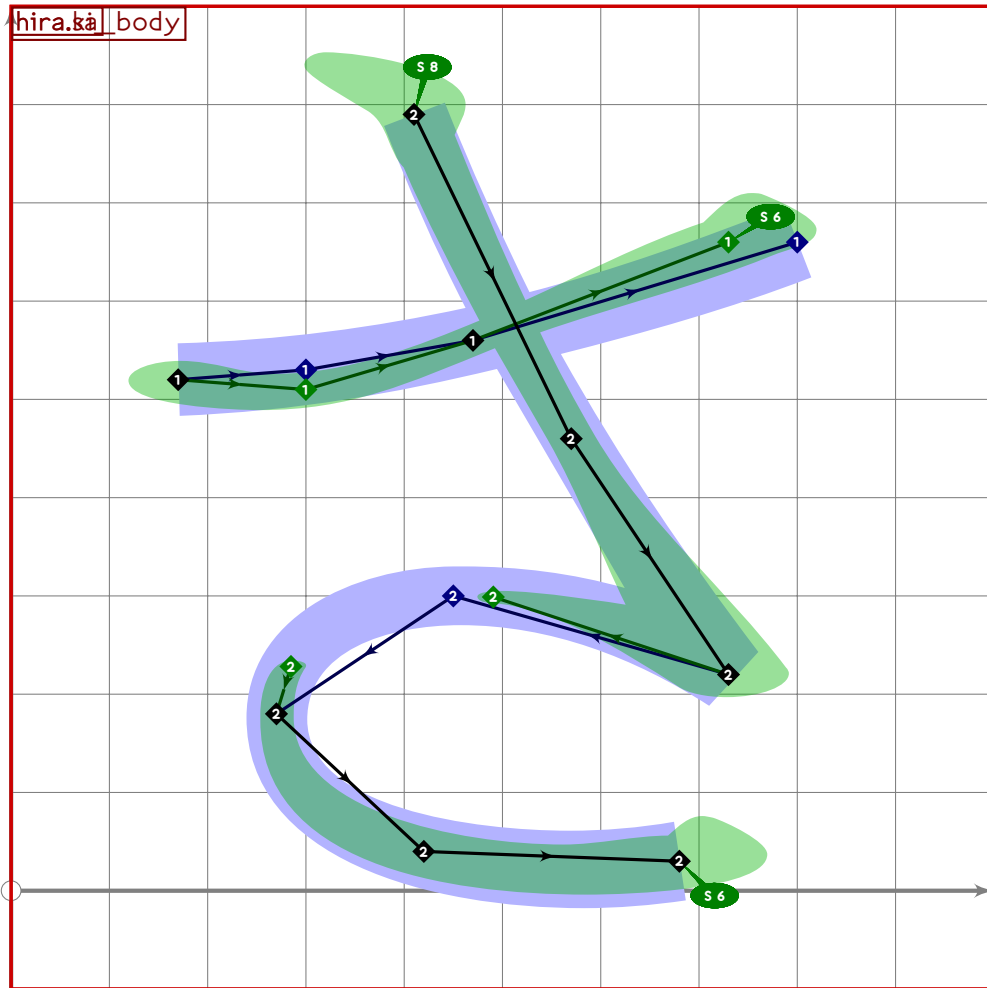
```

Hiragana Sashisuseso/Zajizuzezo

```

207 %%%%%%%%% HIRAGANA SASHISUSES0/ZAJIZUZEZO

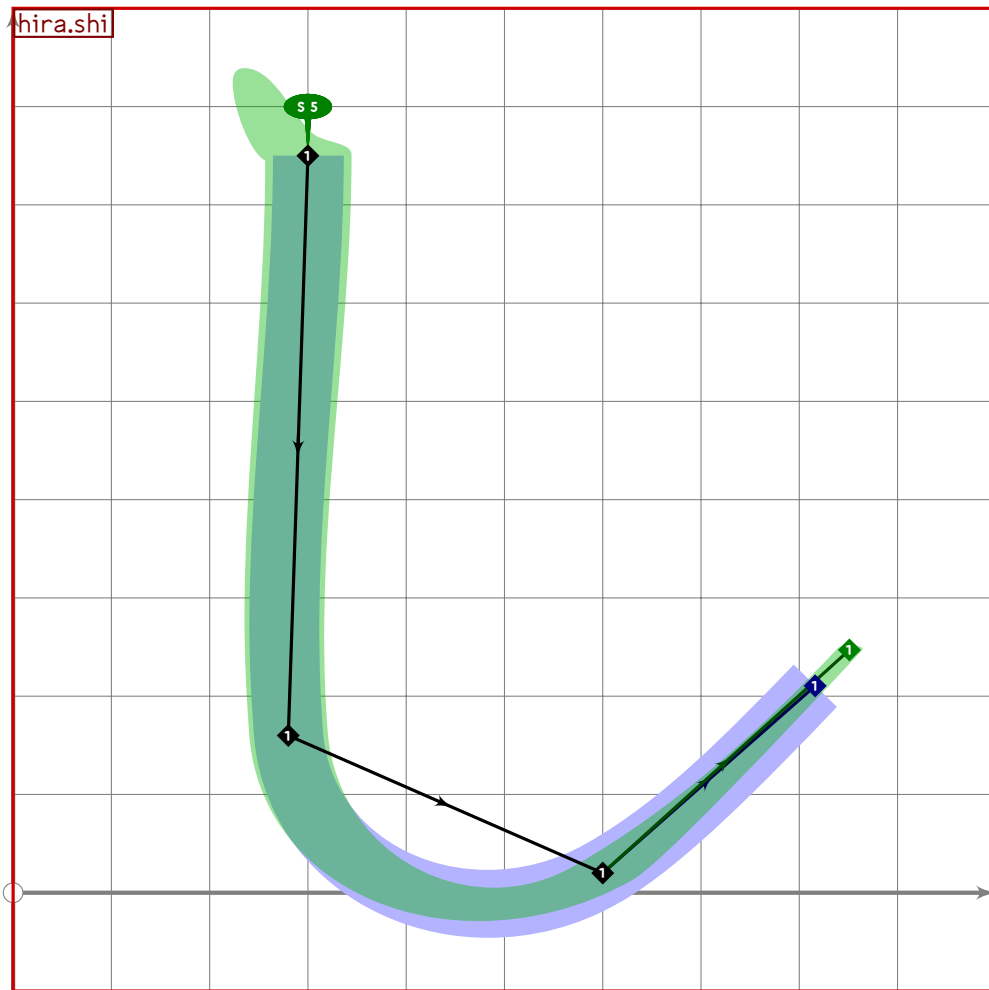
```

```

208
209 vardef tsu_curve.hira.sa =
210   add_proof_box("hira.sa");
211   bp[sp]:=(170,520)..(300,530-20*mincho)..(470,560)..(800-70*mincho,660);
212   bq[sp]:=(1.9,1.9)-(1.8,1.8)-(1.4,1.4)-(2.1,2.1);
213   bo_serif[sp][3]:=6;
214   sp:=sp*1;
215   tsu_curve.hira.ki_body;
216 enddef;

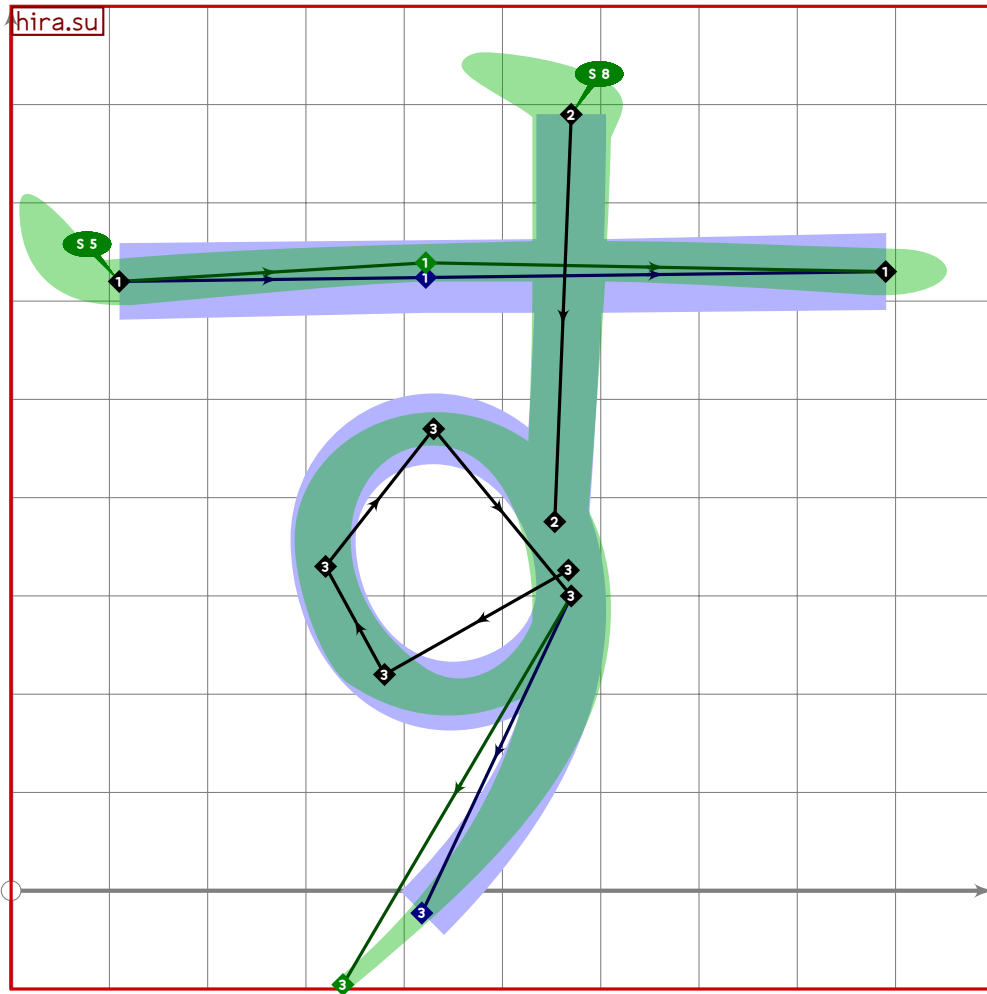
```



```

217
218 vardef tsu_curve.hira.shi =
219   add_proof_box("hira.shi");
220   bp[sp]:=(300,750){down}..tension 2.5..(280,160)..
221     (600,20)..tension 1.5..{curl 0}(990,400);
222   bq[sp]:=(1.7,1.7)..(1.6,1.6)-(1.5,1.5)-(0.4,0.55);
223   bo_serif[sp][0]:=5;
224   sp:=sp^1;
225 enddef;

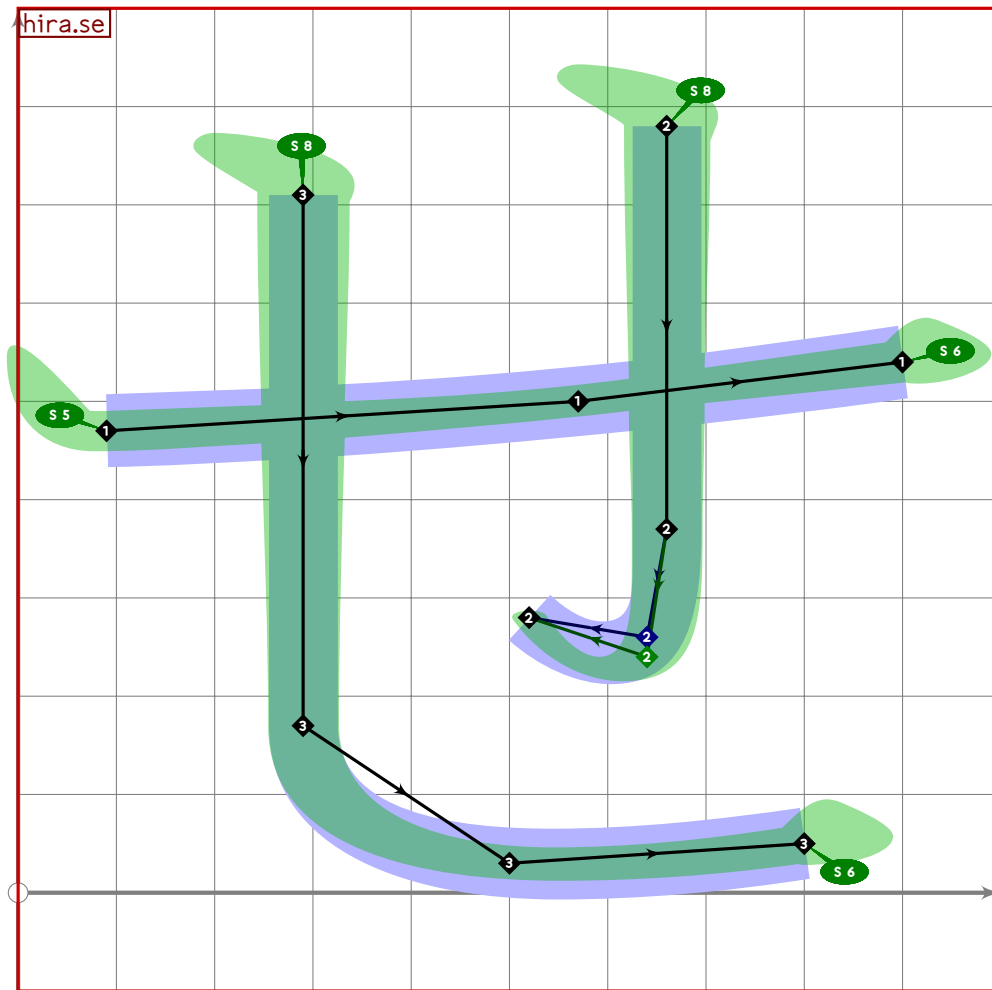
```



```

226
227 vardef tsu_curve.hira.su =
228   add_proof_box("hira.su");
229   bp[sp]:=(110,620)..(0.4[(110,620),(890,630)]+15*up*mincho)..(890,630);
230   bq[sp]:=(2.2,2.2)-(1.9,1.9)-(2.2,2.2);
231   bo_serif[sp][0]:=5;
232
233   bp[sp*2]:=(320,330)..(430,470)..(570,300)..{curl 0}(270,-150);
234   bp[sp*2]:=(point 1.9 of bp[sp*2])..(380,220)..bp[sp*2];
235   bq[sp*2]:=(1.3,1.3)-(1.7,1.7)-(1.3,1.3)-(1.7,1.7)-(1.6,1.6)-(0.7,0.7);
236
237   bp[sp*1]:=(570,790){down}..(point 3.7 of bp[sp*2]);
238   bq[sp*1]:=(1.6,1.6)..(1.4,1.4);
239   bo_serif[sp*1][0]:=8;
240   sp:=sp*3;
241 enddef;

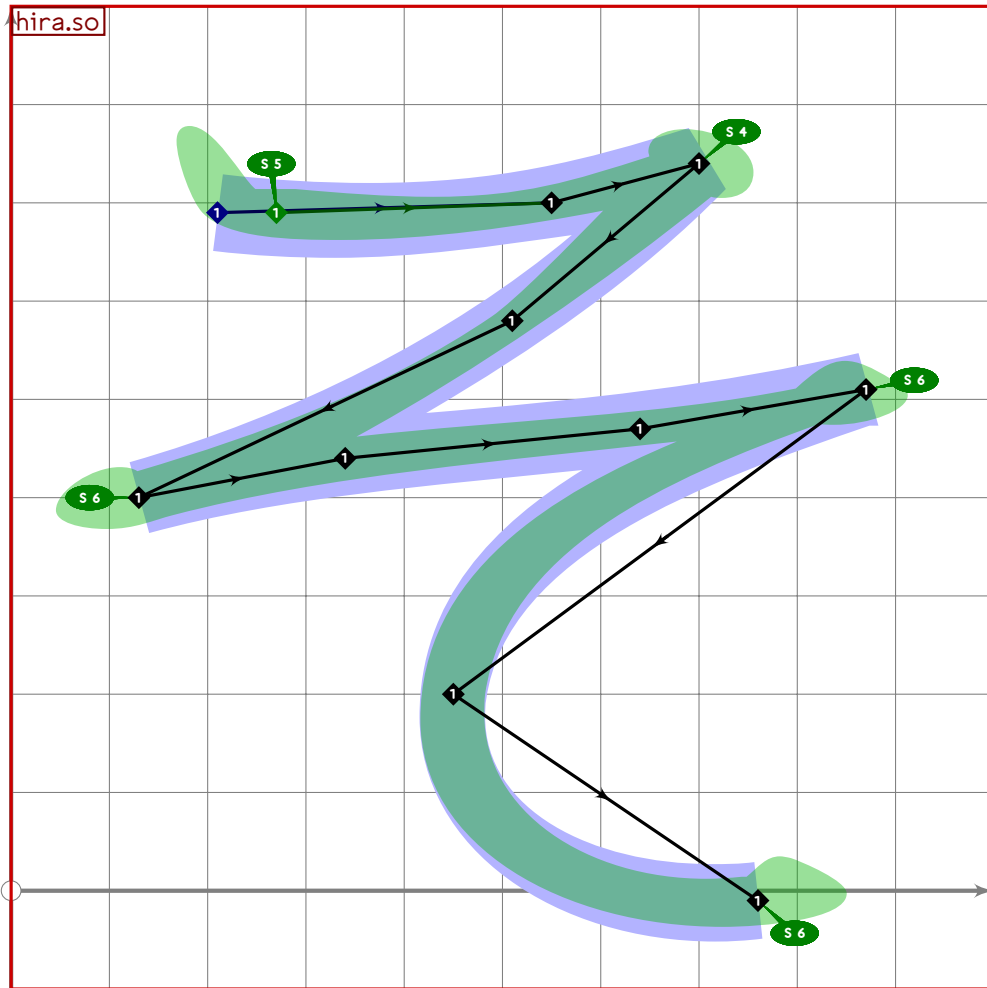
```



```

242
243 vardef tsu_curve.hira.se =
244   add_proof_box("hira.se");
245   bp[sp]:=(90,470)..(570,500)..(900,540);
246   bq[sp]:=(2,2)..(1.6,1.6)..(2,2);
247   bo_serif[sp][0]:=5;
248   bo_serif[sp][2]:=6;
249
250   bp[sp*1]:=(660,780)..(660,370){down}..(640,260-20*mincho)..{curl 0.2}(520,280);
251   bq[sp*1]:=(1.7,1.7)..(1.5,1.5)..(1.5,1.5)..(1,1);
252   bo_serif[sp*1][0]:=8;
253
254   bp[sp*2]:=(290,710)..(290,170){down}..(500,30)..
255     {direction infinity of bp[sp]}(800,50);
256   bq[sp*2]:=(1.8,1.8)..(1.5,1.5)..(1.7,1.7)..(1.8,1.8);
257   bo_serif[sp*2][0]:=8;
258   bo_serif[sp*2][3]:=6;
259   sp:=sp*3;
260 enddef;

```



```

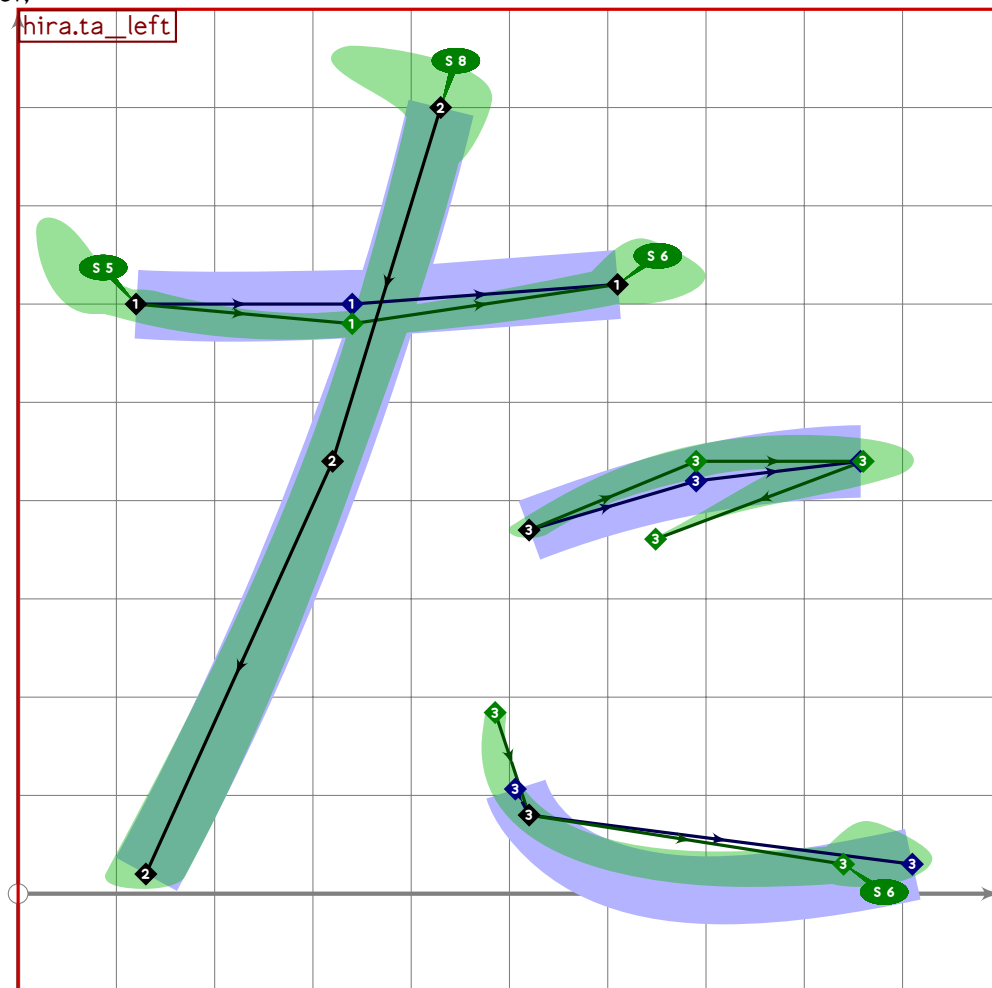
261
262 vardef tsu_curve.hira.so =
263   add_proof_box("hira.so");
264   bp[sp]:=(210*60*mincho,690)..tension 1.2..(550,700)..
265     {curl 0}{(700,740){curl 1}..
266     (510,580)..
267     {curl 1}{(130,400){curl 2}..(340,440)..(640,470)..
268     {curl 1}{(870,510){curl 0}..tension 1.2..(450,200)..{curl 0.2}{(760,-10);
269   bq[sp]:=(2.3,2.3)-(1.7,1.7)-(1.8,1.8)-
270     (1.2,1.2)-
271     (2.1,2.1)-(1.9,1.9)-(1.7,1.7)-(1.5,1.5)-
272     (1.4,1.4)-(2.3,2.3);
273   bo_tip[sp][2]:=0;
274   bo_tip[sp][4]:=0;
275   bo_tip[sp][7]:=0;
276   bo_serif[sp][0]:=5;
277   bo_serif[sp][2]:=4;
278   bo_serif[sp][4]:=6;
279   bo_serif[sp][7]:=6;
280   bo_serif[sp][9]:=6;
281   sp:=sp^1;

```

```
282 endif;
283
```

Hiragana Tachitsuteto/Dajizudedo

```
284 %%%%%%%%%% HIRAGANA TACHITSUTETO/DAJIZUDEDO
285
286 vardef tsu_curve.hira.ta_left =
287   add_proof_box("hira.ta_left");
288   bp[sp]:=(120,600)..(340,600-20*mincho)..tension 1.5..(610,620);
289   bq[sp]:=(1.6,1.6)..(1.5,1.5)..(1.7,1.7);
290   bo_serif[sp][0]:=5;
291   bo_serif[sp][2]:=6;
292
293   bp[sp*1]:=(430,800)..(320,440)..(130,20);
294   bq[sp*1]:=(1.4,1.4)..(1.3,1.3)..(1.6,1.6);
295   bo_serif[sp*1][0]:=8;
296   sp:=sp*2;
297 endif;
```



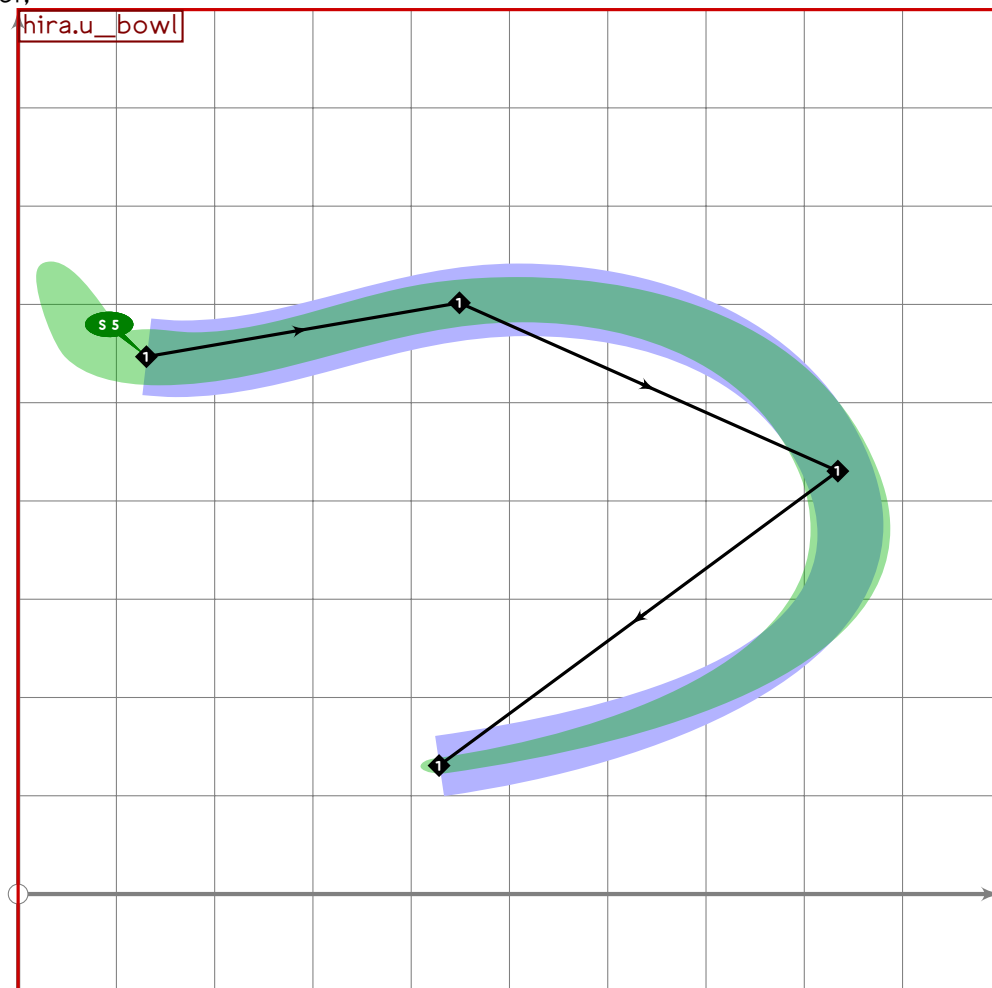
```
298
299 vardef tsu_curve.hira.ta =
300   add_proof_box("hira.ta");
```



```

322 bq[sp]:=(1.7,1.7)..(1.5,1.5)..(1.6,1.6);
323 bo_serif[sp][0]:=5;
324 bo_serif[sp][2]:=6;
325 sp:=sp*1;
326
327 bp[sp]:=(370,780)..(320-25*mincho,330)..(290,220);
328 bq[sp]:=(1.6,1.6)..(1.4,1.4)..(1.5,1.5);
329 tsu_curve.hira.chi_bottom;
330 bo_tip[sp][2]:=0;
331 bo_serif[sp][0]:=8;
332 sp:=sp*1;
333 enddef;

```



```

334
335 vardef tsu_curve.hira.tsu =
336   add_proof_box("hira.tsu");
337   begingroup
338     save xf;
339     transform xf;
340     (300,450) transformed xf=(220,560);
341     (750,350) transformed xf=(820,440);
342     (400,0) transformed xf=(400,150);

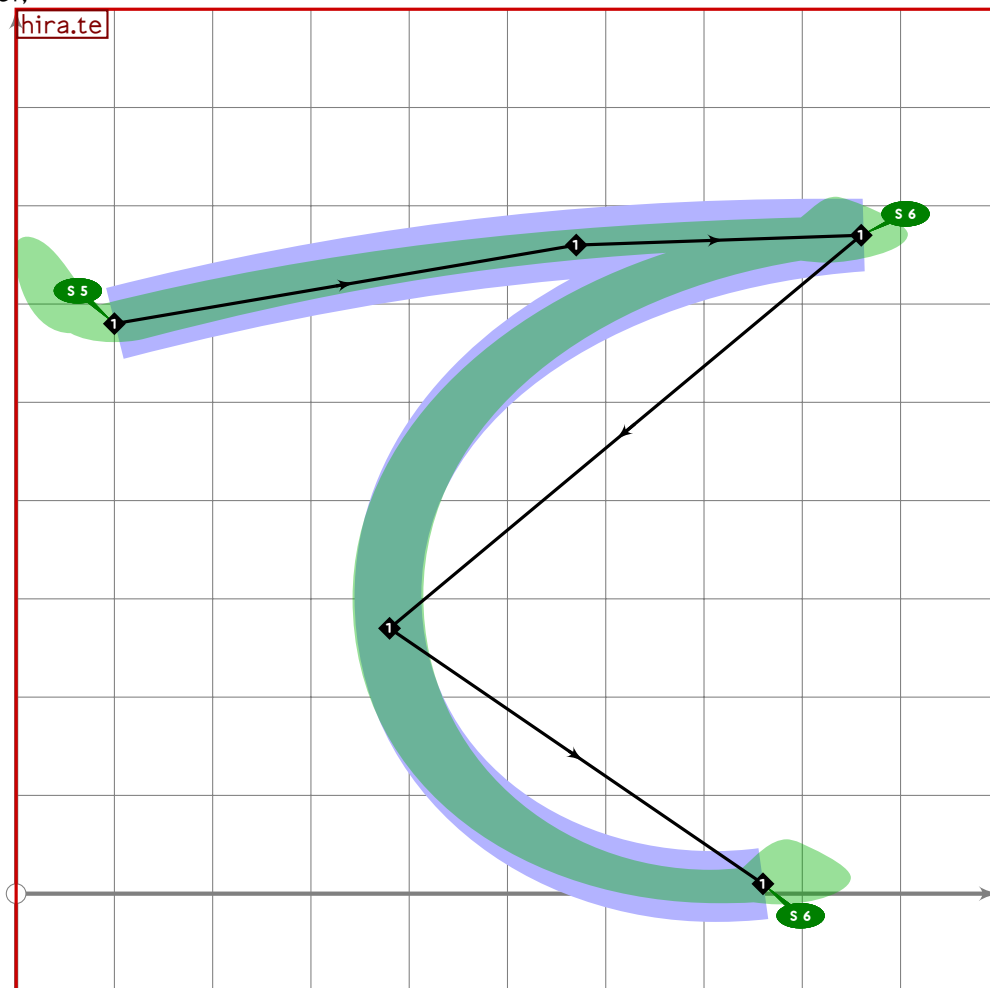
```



```

343   tsu_curve.hira.u_bowl;
344   bp[sp-1]:=bp[sp-1] transformed xf;
345   endgroup;
346   bo_size[sp-1]:=100*10*mincho;
347   enddef;

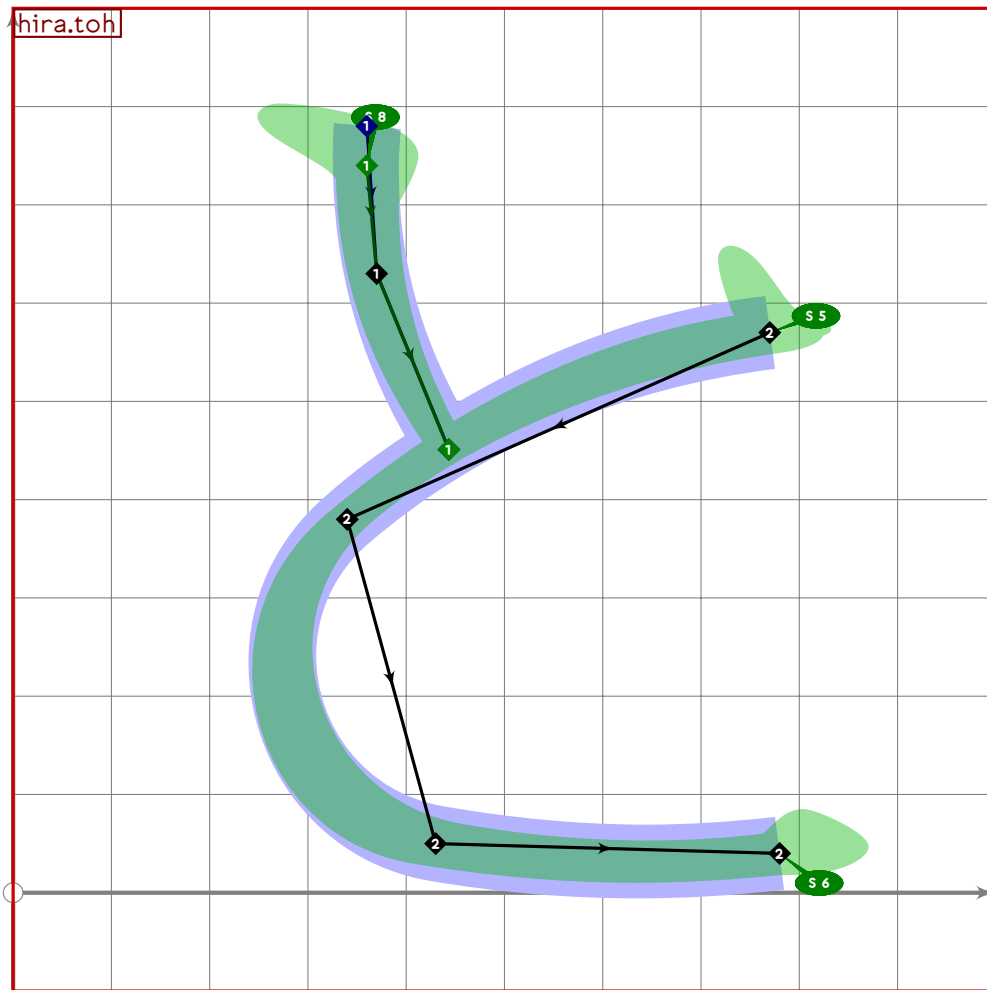
```



```

348
349   vardef tsu_curve.hira.te =
350     add_proof_box("hira.te");
351     bp[sp]:=(100,580)..(570,660)..{curl 1}(860,670){curl 0.2}..
352       (380,270)..{curl 0.6}(760,10);
353     bq[sp]:=(1.9,1.9)-(1.5,1.5)-(1.8,1.8)-(1.5,1.5)-(1.8,1.8);
354     bo_tip[sp][2]:=0;
355     bo_serif[sp][0]:=5;
356     bo_serif[sp][2]:=6;
357     bo_serif[sp][4]:=6;
358     sp:=sp*1;
359   enddef;

```



```

360
361 vardef tsu_curve.hira.toh =
362   add_proof_box("hira.toh");
363   bp[sp*1]:=(770,570)..tension 1.7..(340,380)..(430,50)..
364     tension 2..(780,40);
365   bq[sp*1]:=(2,2)-(1.2,1.2)-(2.1,2.1)-(2,2);
366   bo_serif[sp*1][0]:=5;
367   bo_serif[sp*1][3]:=6;
368
369   bp[sp]:=(360,780-40*mincho)..(370,630)..(point 0.7 of bp[sp*1]);
370   bp[sp]:=subpath (0,1.97) of bp[sp];
371   bq[sp]:=(1.4,1.4)-(1.3,1.3)-(1.1,1.1);
372   bo_serif[sp][0]:=8;
373   sp:=sp*2;
374 enddef;
375

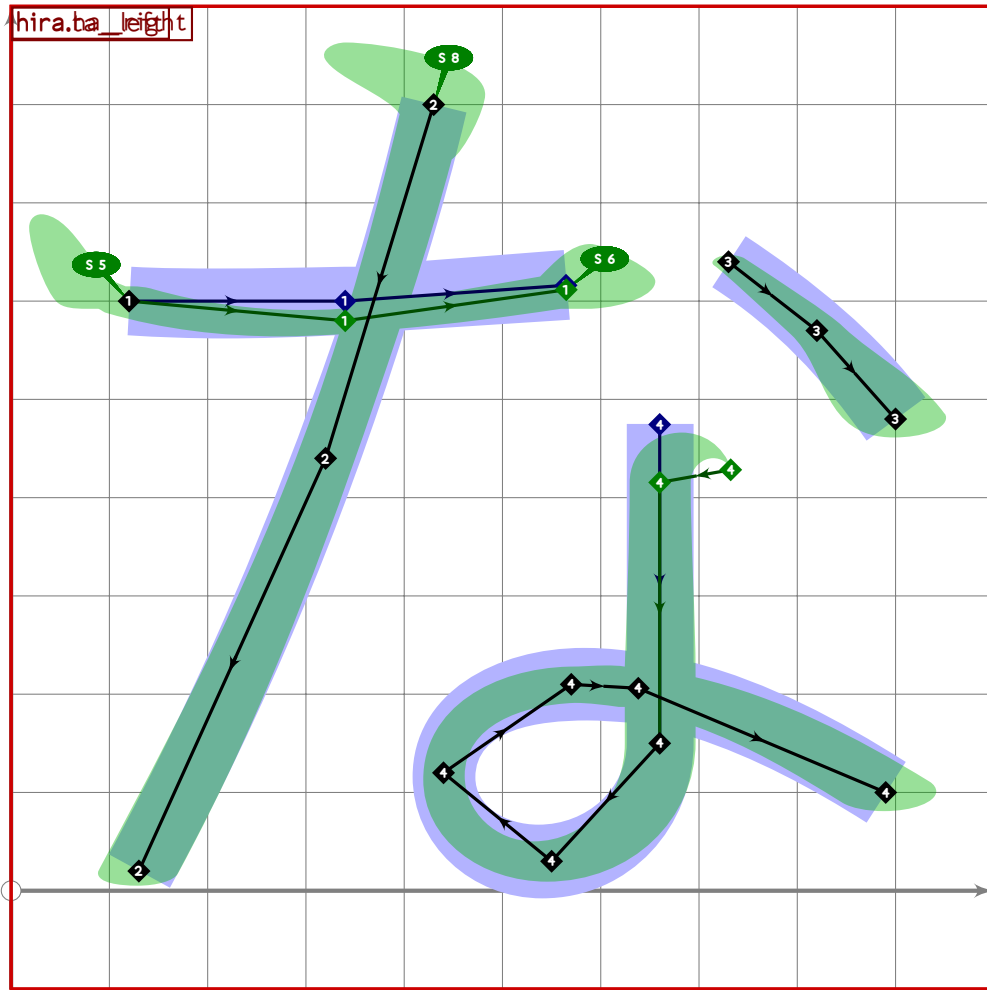
```

Hiragana Naninuneno

```

376 %%%%%%%%%% HIRAGANA NANINUNENO

```



```

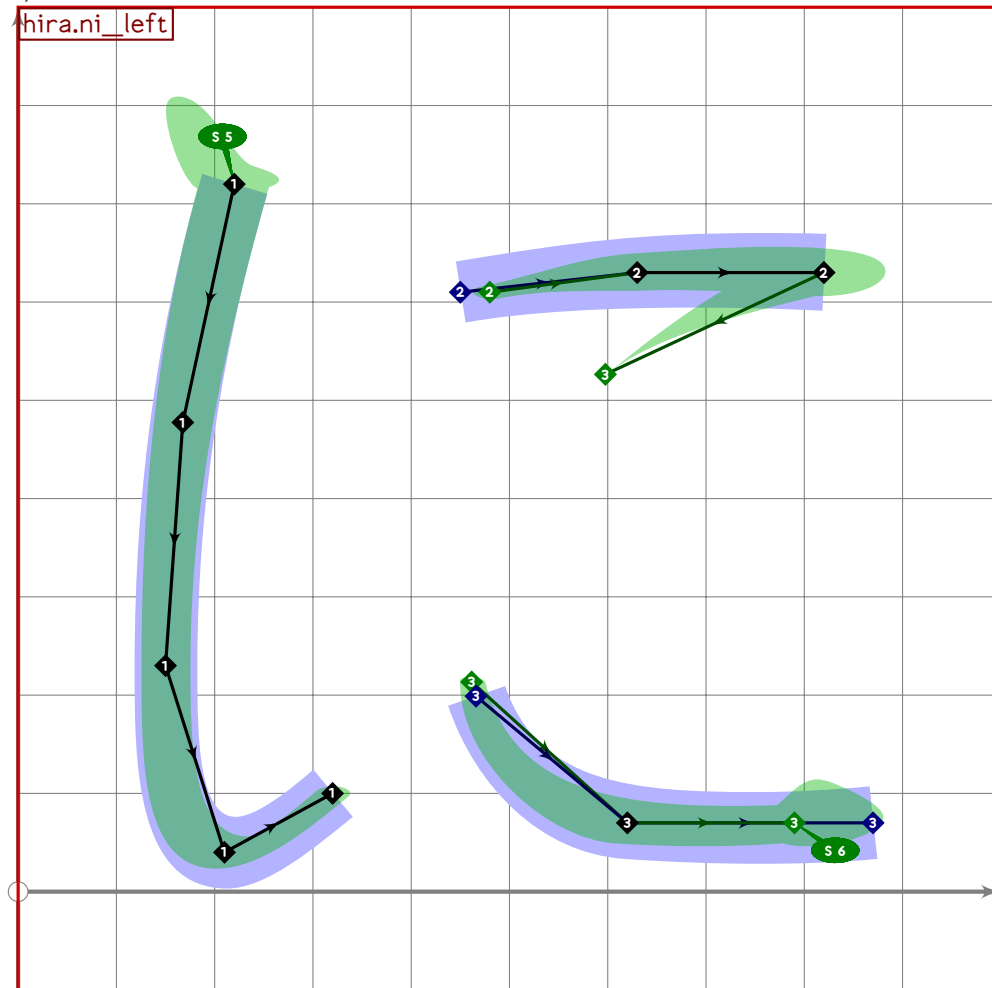
377
378 vardef tsu_curve.hira.na =
379   add_proof_box("hira.na");
380   tsu_curve.hira.ta_left;
381   bp[sp-2]:=subpath (0,1,8) of bp[sp-2];
382
383   bp[sp]:=(730,640)..(820,570)..(900,480);
384   bq[sp]:=(1,1)..(1.3,1.3)..(1.9,1.9);
385   sp:=sp*1;
386
387   tsu_curve.hira.ha_right;
388   bp[sp-1]:=(point infinity of bp[sp-1]){direction infinity of bp[sp-1]}
389     ..(subpath (0.45*0.1*mincho,infinity) of bp[sp-1]);
390   bq[sp-1]:=(0,(0.4)-(1.7,1)-(1.5,1.5)-(2,2)-(1.1,1.1)-(1.9,1.9);
391   enddef;
392
393 vardef tsu_curve.hira.ni_left =
394   add_proof_box("hira.ni_left");
395   bp[sp]:=(220,720)..(150,230){down}..tension 1.5..(210,40)..
396     tension 1.5..{curl 0}(320,100);
397   bq[sp]:=(1.5,1.5)..(1.2,1.2)..(1.8,1.8)..(1,1);

```

```

398 bp[sp]:=insert_nodes(bp[sp])(0.5);
399 bq[sp]:=insert_nodes(bq[sp])(0.5);
400 bo_serif[sp][0]:=5;
401 sp:=sp*1;
402 enddef;

```



```

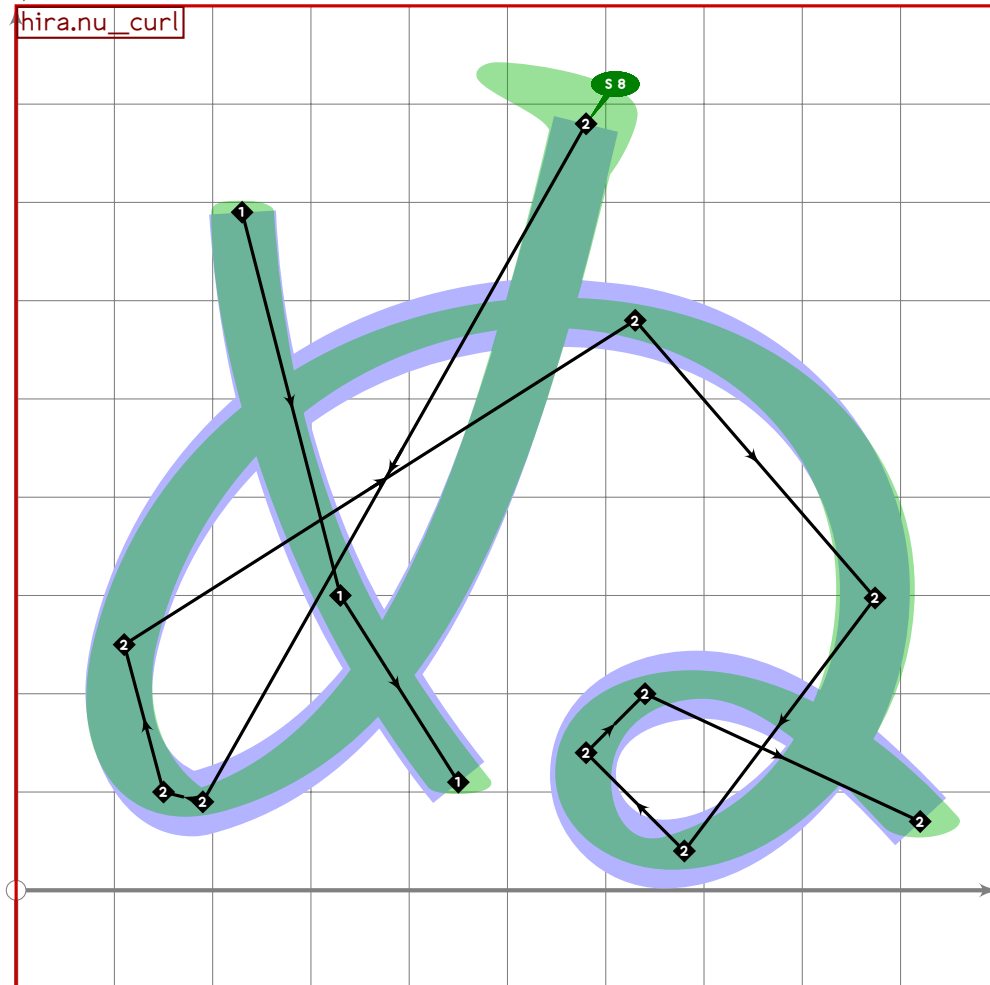
403
404 vardef tsu_curve.hira.ni =
405   add_proof_box("hira.ni");
406   tsu_curve.hira.ni_left;
407
408   bp[sp]:=(450*30*mincho,610)..(630,630)..(820,630);
409   bq[sp]:=(1,1)..(1.9,1.9)..(2.2,2.2);
410
411   bp[sp*1]:=(point infinity of bp[sp]){curl 0.6}..(530,460)..(460,220)..
412     (620,70)..tension 2..(870-80*mincho,70);
413   bq[sp*1]:=(3,0.7)-(0,0)-(0.8,0.9)-(2,2)-(1.9,1.9);
414   bo_serif[sp*1][4]:=6;
415   sp:=sp*2;
416 enddef;
417
418 vardef tsu_curve.hira.nu_curl =

```

```

419 add_proof_box("hira.nu_curl");
420 (680,40)..(580,140)..(640,200)..{curl 0}(920,70)
421 enddef;

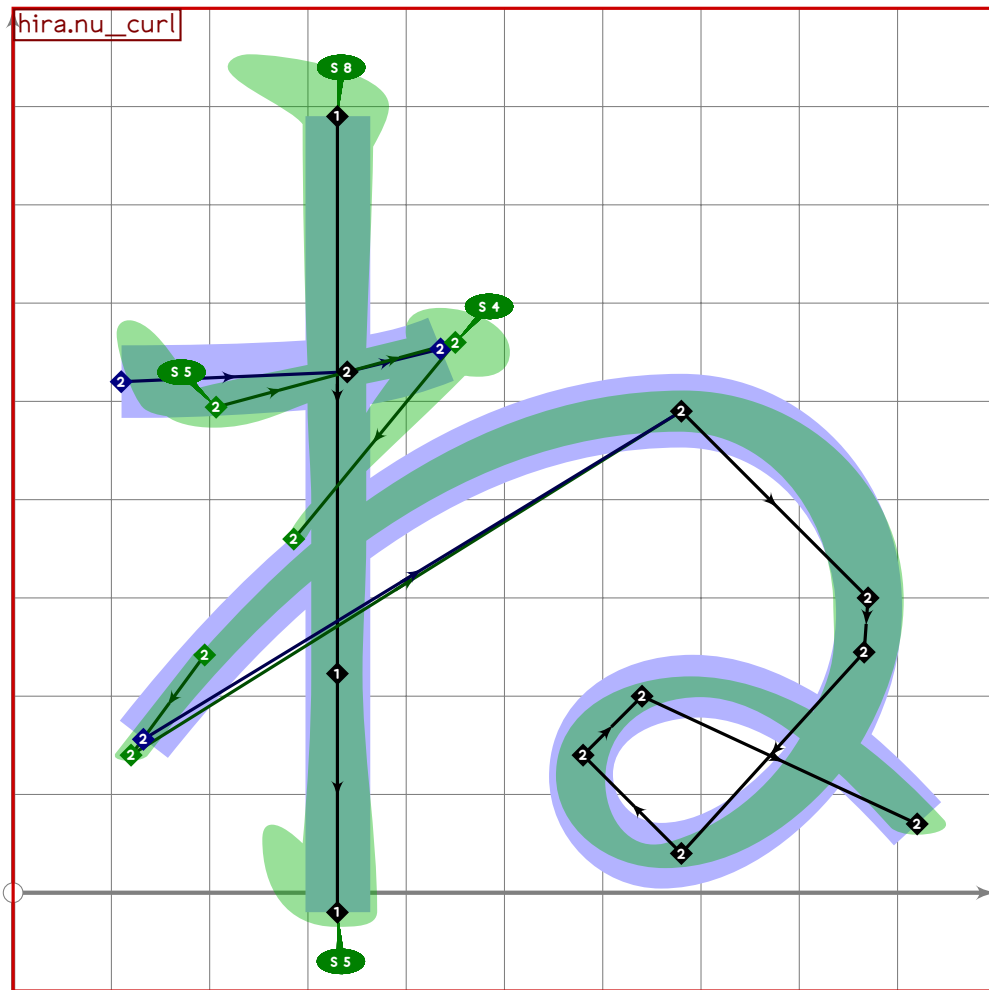
```



```

422
423 vardef tsu_curve.hira.nu =
424   add_proof_box("hira.nu");
425   tsu_curve.hira.me;
426   sp:=sp-2;
427
428   bp[sp*1]:=(subpath (0,4.8) of bp[sp*1])..tension 1.2..tsu_curve.hira.nu_curl;
429   bq[sp*1]:=(1.5,1.5)-(1.4,1.4)-(1.6,1.6)-(1.4,1.4)-
430     (1.6,1.6)-(1.6,1.6)-(1.7,1.7)-(1.3,1.3)-(1.6,1.6);
431   bo_serif[sp*1][0]:=8;
432   sp:=sp*2;
433 enddef;

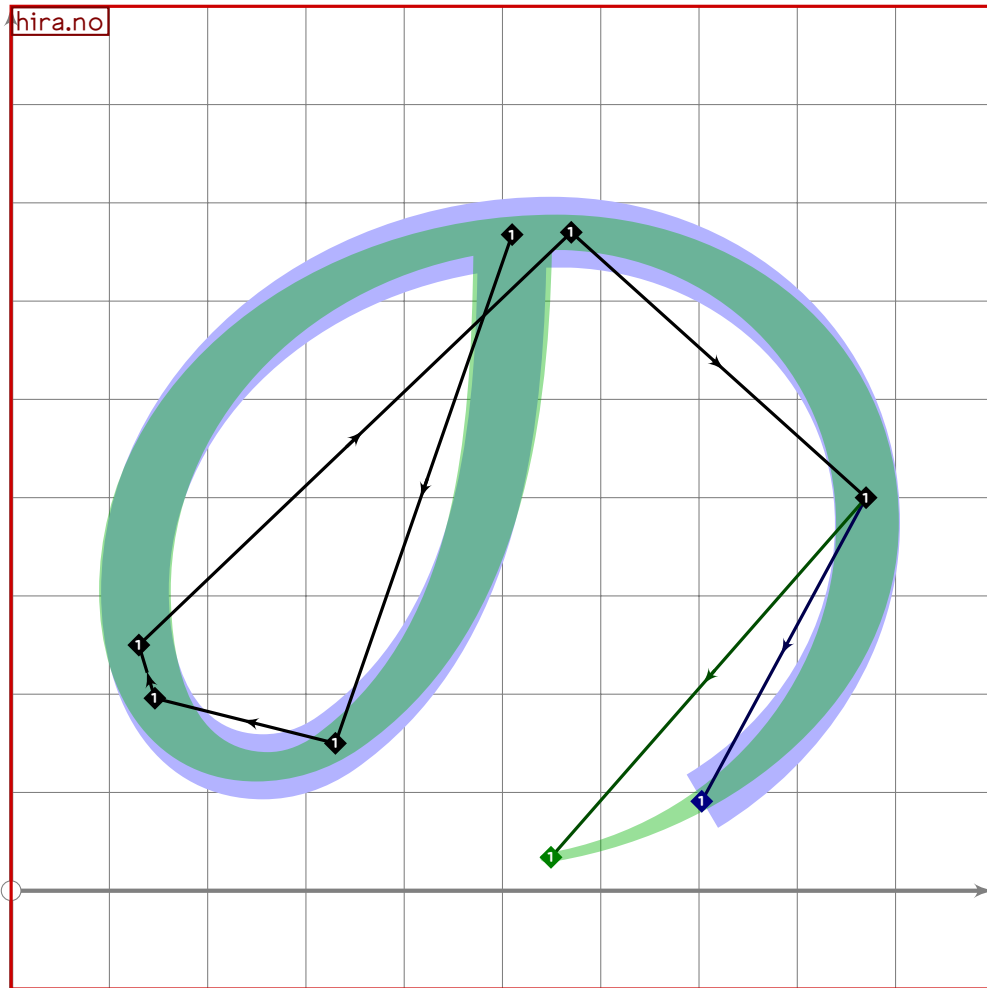
```



```

434
435 vardef tsu_curve.hira.ne =
436   add_proof_box("hira.ne");
437   tsu_curve.hira.wa;
438   sp:=sp-2;
439
440   bp[sp*1]:=(subpath (0,6.1) of bp[sp*1])..tension 1.2..tsu_curve.hira.nu_curl;
441   bq[sp*1]:=(2,2)-(1.6,1.6)-(2.2,0.9)-(0.7,0.7)-(0.97,0.97)-
442     (2,2)-(1.5,1.5)-(1.4,1.4)-(1.4,1.4)-(1.2,1.2)-(1.3,1.3);
443   sp:=sp*2;
444 enddef;

```



```

445
446 vardef tsu_curve.hira.no =
447   add_proof_box("hira.no");
448   bp[sp]:=(1,1)-(2,2);
449   begingroup
450     path px,py;
451     px:=(410,30)..(130,250)..tension 1.1..(570,670)..(870,400)..cycle;
452     py:=(510,770){down}{dir 215}(330,150);
453
454     bp[sp]:=subpath (0.85,4) of px;
455     bp[sp]:=(subpath (xpart (py intersectiontimes bp[sp]),infinity) of py)..bp[sp];
456   endgroup;
457
458   bq[sp]:=(1.6,1.6)-(1.3,1.3)-(1.4,1.4)-(1.5,1.5)-(1.8,1.8)-
459     (1.4,1.4)-(0.7,0.7);
460   sp:=sp*1;
461 enddef;
462

```

Hiragana Hahifuheho/Babibubebo/Papipupepo

```

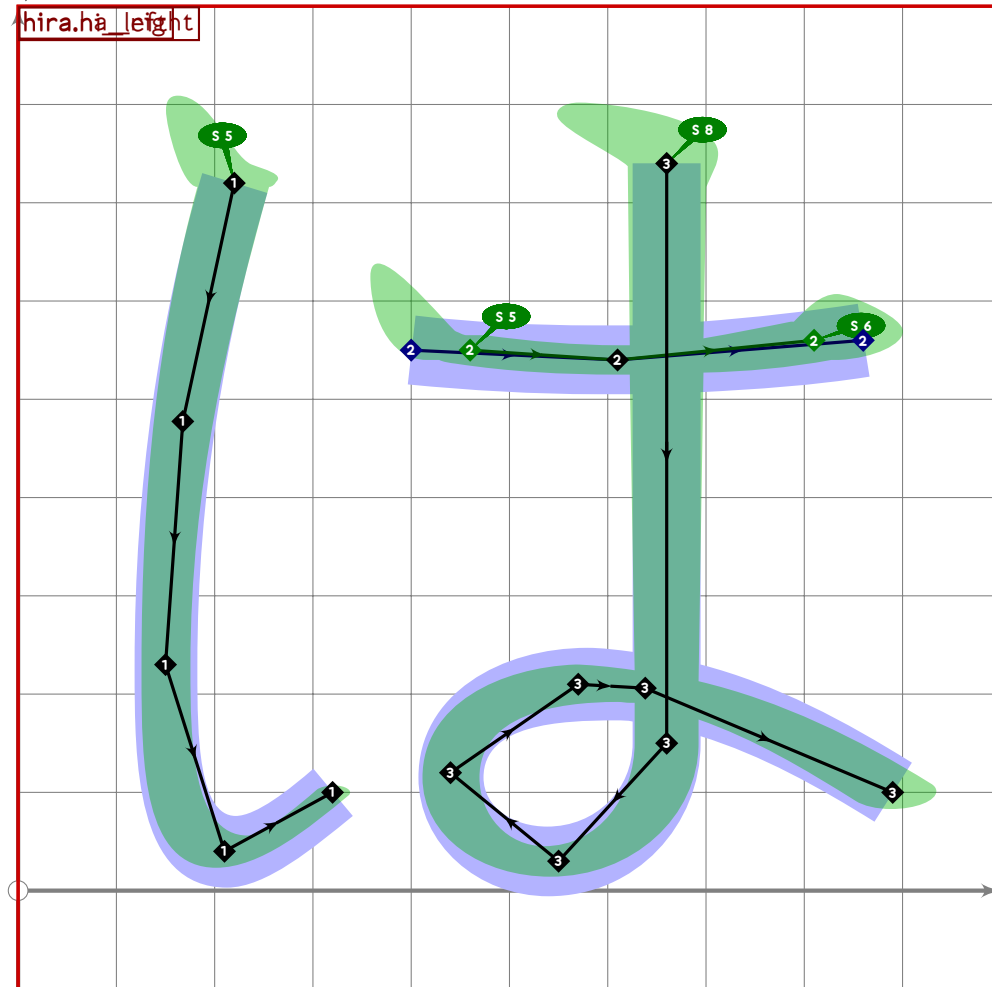
463 %%%%%%%%%% HIRAGANA HAHIFUHEHO/BABIBUBEBO/PAPIPUPEPO

```

```

464
465 vardef tsu_curve.hira.ha_right =
466   add_proof_box("hira.ha_right");
467   bp[sp]:=(660,740)..(660,150){down}..(550,30)..(440,120)..
468     (570,210)..{curl 0.17}(890,100);
469   bp[sp]:=insert_nodes(bp[sp])(4,2);
470   bq[sp]:=(1.6,1.6)-(1.4,1.4)-(1.6,1.6)-(1.3,1.3)-
471     (2,2)-(1.6,1.6)-(1.7,1.7);
472   sp:=sp^1;
473 enddef;

```



```

474
475 vardef tsu_curve.hira.ha =
476   add_proof_box("hira.ha");
477   tsu_curve.hira.ni_left;
478
479   bp[sp]:=(400*60*mincho,550)..(610,540)..(860-50*mincho,560);
480   bq[sp]:=(1.6,1.6)..(1.6,1.6)..(2,2);
481   bo_serif[sp][0]:=5;
482   bo_serif[sp][2]:=6;
483   sp:=sp^1;
484

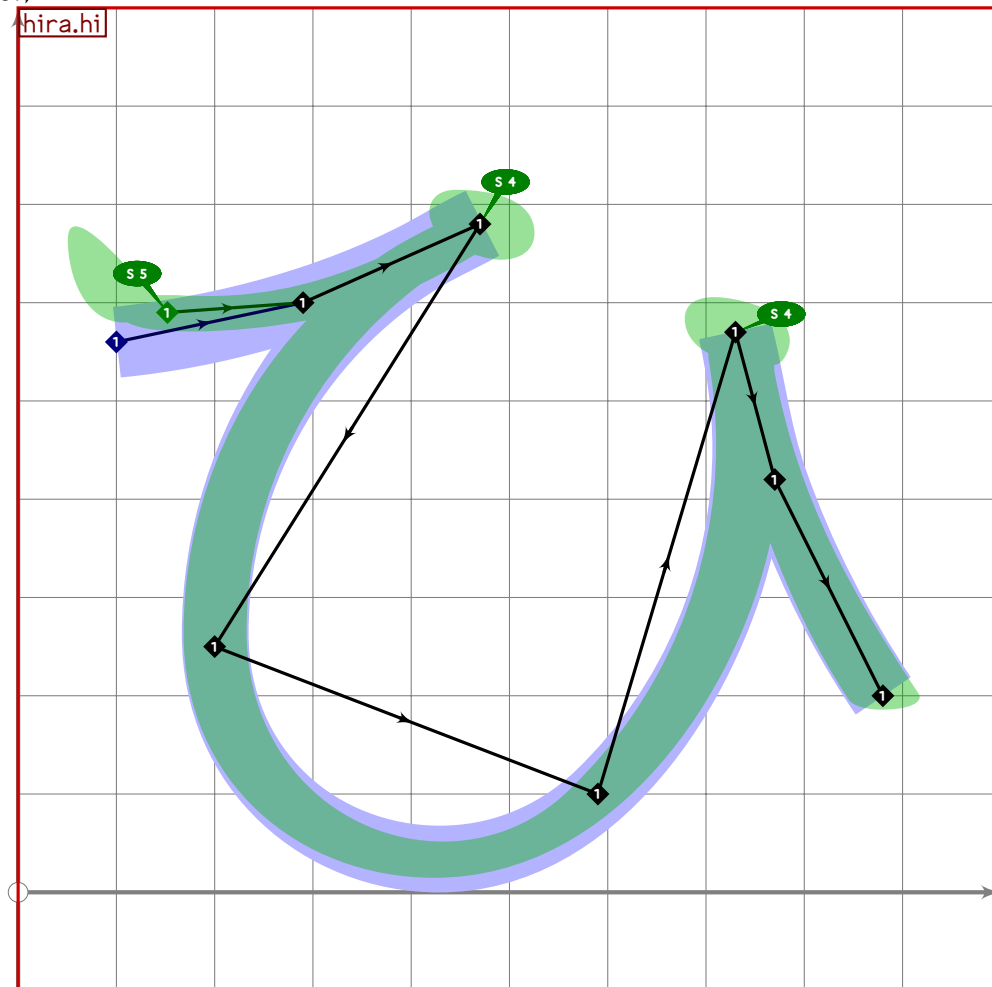
```



```

485 tsu_curve.hira.ha_right;
486 bo_serif[sp-1][0]:=8;
487 enddef;

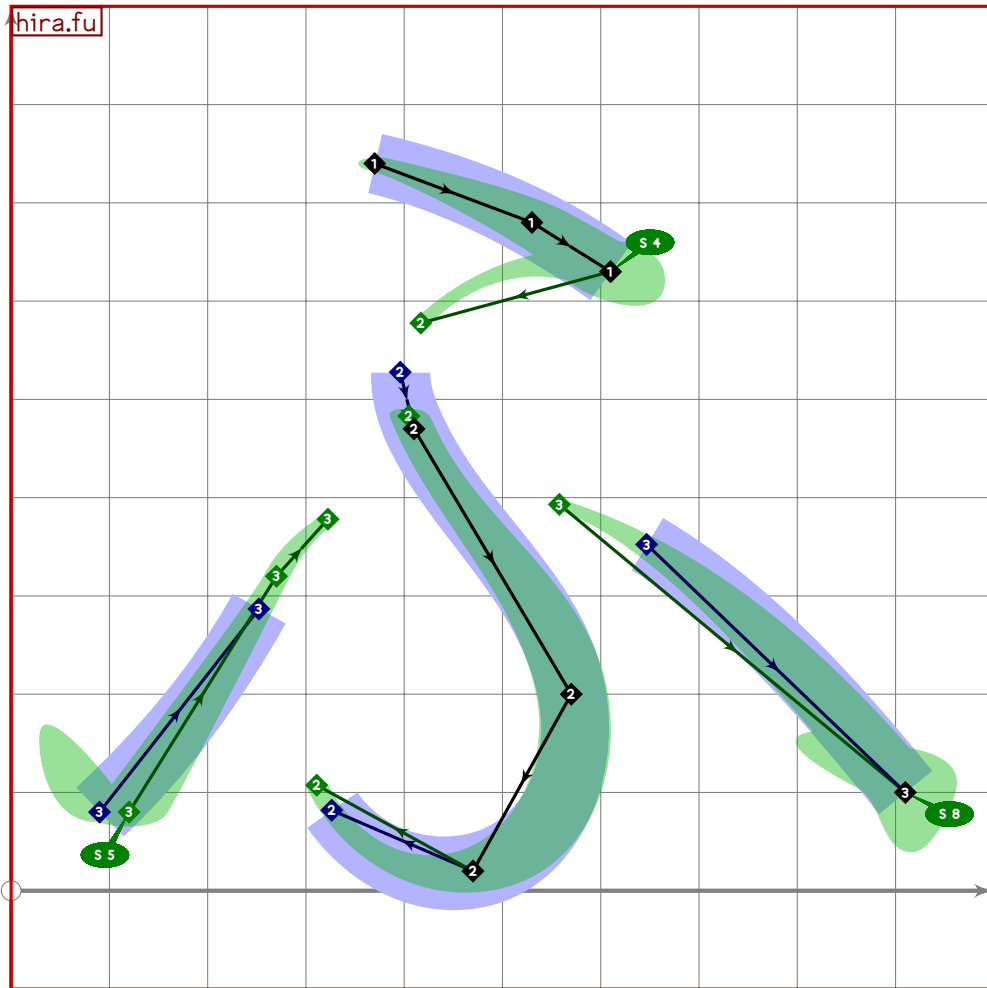
```



```

488
489 vardef tsu_curve.hira.hi =
490   add_proof_box("hira.hi");
491   bp[sp]:=((100,560)+60*mincho*dir 30)..(290,600)..
492     {curl 1}(470,680){curl 1}..
493     tension 1.3..(200,250)..(590,100)..tension 1.3..
494     {curl 1}(730,570){curl 1}..(770,420)..(880,200);
495   bq[sp]:=(1,8,1,8)-(1,7,1,7)-(1,5,1,5)-
496     (1,4,1,4)-(1,4,1,4)-(1,4,1,4)-(1,3,1,3)-(1,5,1,5);
497   bo_tip[sp][2]:=0;
498   bo_tip[sp][5]:=0;
499   bo_serif[sp][0]:=5;
500   bo_serif[sp][2]:=4;
501   bo_serif[sp][5]:=4;
502   sp:=sp*1;
503 enddef;

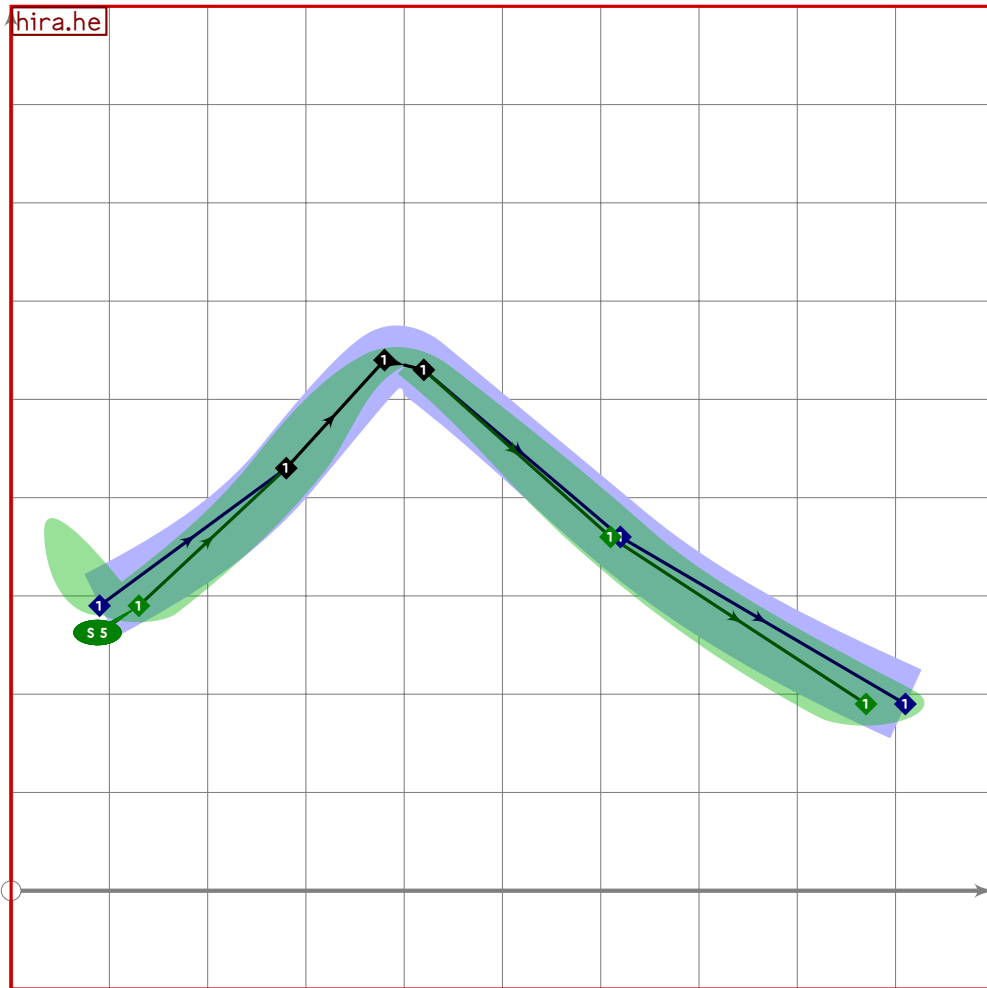
```



```

504
505 vardef tsu_curve.hira.fu =
506   add_proof_box("hira.fu");
507   bp[sp]:=(370,740)..(530,680)..(610,630);
508   bq[sp]:=(1,1)-(1.7,1.7)-(1.8,1.8);
509   bo_serif[sp][2]:=4;
510
511   bp[sp*1]:=(610,630)..tension 1.4..(410,570)..(410,470)..(570,200)..(470,20)..
512     {curl 0.3}(290,270);
513   bq[sp*1]:=(2.6,0.79)-(0.72,0.72)-(0.85,1.35)-(1.5,1.5)-(2,2)-(0,0);
514
515   bp[sp*2]:=(90*30*mincho,80)..(270,320){dir 63}..(480,410)..{curl 0}(910,100);
516   bq[sp*2]:=(1.4,1.7)-(0.9,0.9)-(0.7,0.7)-(1.6,1.6);
517   bo_serif[sp*2][0]:=5;
518   bo_serif[sp*2][3]:=8;
519   sp:=sp*3;
520 enddef;

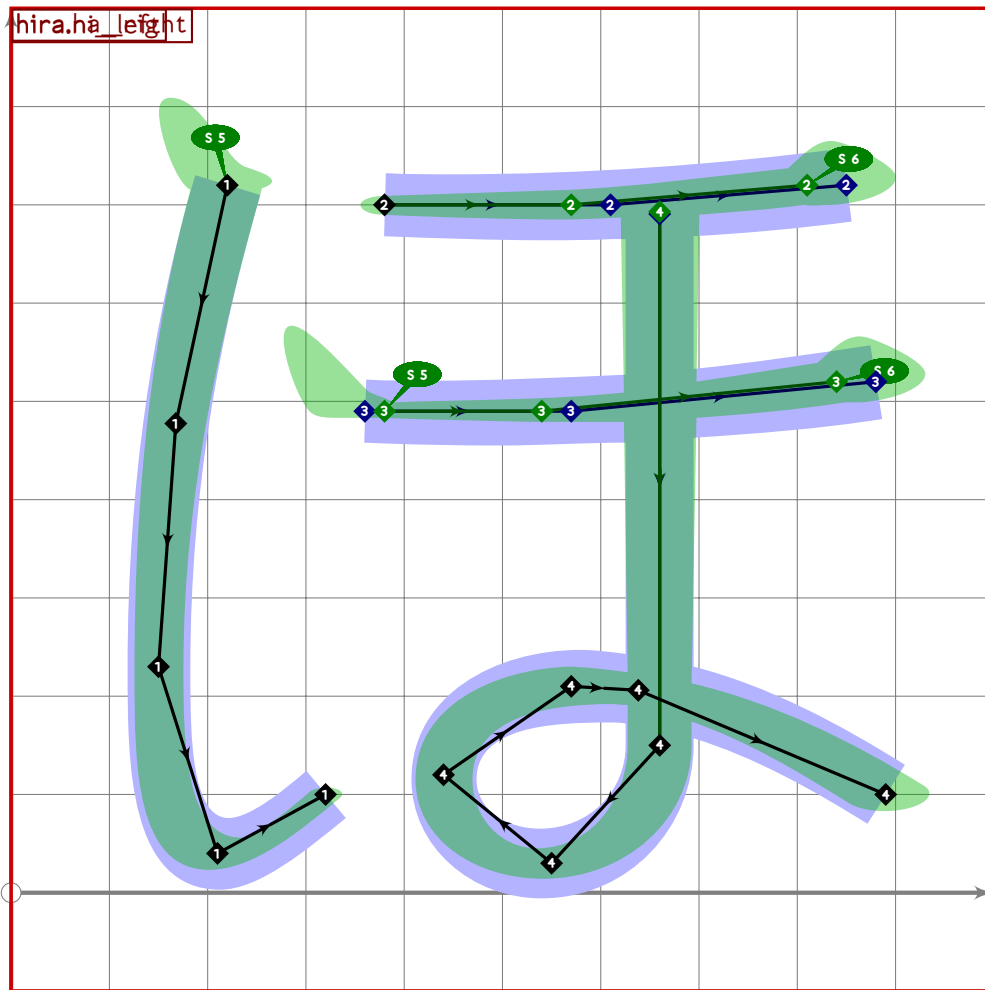
```



```

521
522 vardef tsu_curve.hira.he =
523   add_proof_box("hira.he");
524   bp[sp]:=(90+40*mincho,290){curl 0.2}..(280,430)..tension 2..(380,540)..
525     (420,530)..tension 2..(620-10*mincho,360)..{curl 0.2}(910-40*mincho,190);
526   bq[sp]:=(1,7,1,7)..(1,6,1,6)..(1,2,1,2)..(1,3,1,3)..(1,7,1,7)..(2,1,2,1);
527   bo_serif[sp][0]:=5;
528   sp:=sp^1;
529 enddef;

```



```

530
531 vardef tsu_curve.hira.ho =
532   add_proof_box("hira.ho");
533   tsu_curve.hira.ni_left;
534
535   bp[sp]:=(380,700)..(610-40*mincho,700)..(850-40*mincho,720);
536   bq[sp]:=(1.2,1.2)..(1.6,1.6)..(1.9,1.9);
537   bo_serif[sp][2]:=6;
538
539   bp[sp*1]:=(360+20*mincho,490)..(570-30*mincho,490)..(880-40*mincho,520);
540   bq[sp*1]:=(1.2,1.2)..(1.5,1.5)..(2,2);
541   bo_serif[sp*1][0]:=5;
542   bo_serif[sp*1][2]:=6;
543   sp:=sp*2;
544
545   tsu_curve.hira.ha_right;
546   bp[sp*1]:=subpath
547     (xpart (bp[sp*1] intersectiontimes bp[sp*3])*0.02,infinity) of bp[sp*1];
548 enddef;
549

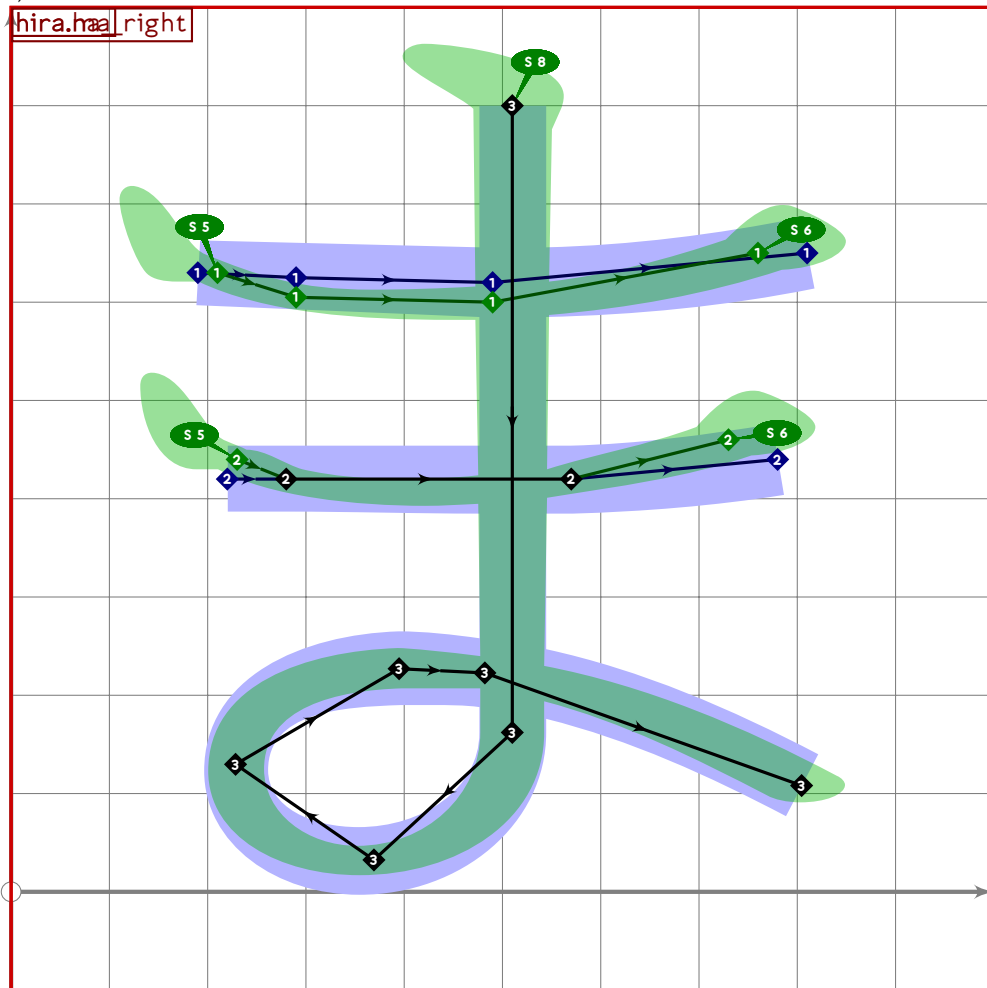
```

Hiragana Mamimumemo

```

550 %%%%%%%%%% HIRAGANA MAMIMUMEMO
551
552 vardef tsu_curve.hira.ma_stem =
553   add_proof_box("hira.ma_stem");
554   tsu_curve.hira.ha_right;
555   begingroup
556     transform xf;
557
558     (660,0) transformed xf = (510,0);
559     (660,740) transformed xf = (510,800);
560     (910,0) transformed xf = (830,0);
561
562     bp[sp-1]:=bp[sp-1] transformed xf;
563   endgroup;
564   bo_serif[sp-1][0]:=8;
565 enddef;

```



```

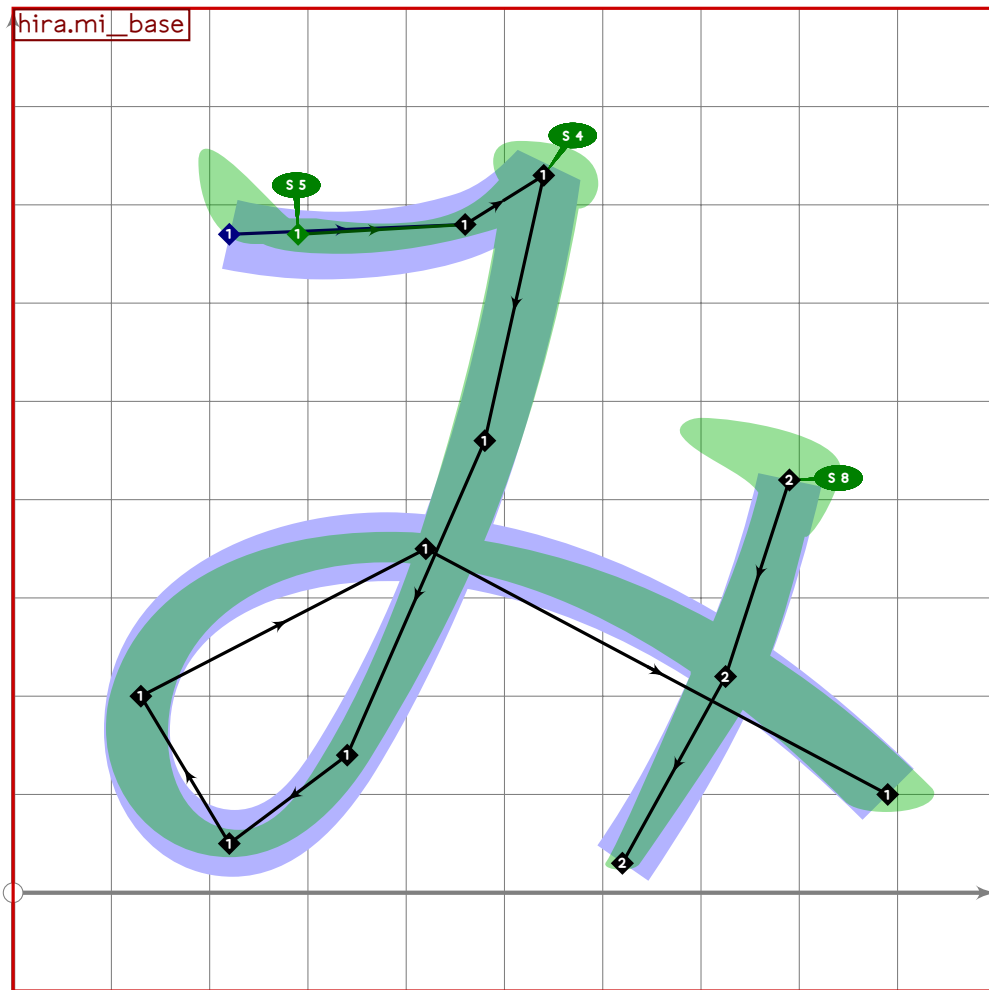
566
567 vardef tsu_curve.hira.ma =
568   add_proof_box("hira.ma");

```

```

569 bp[sp]:=(190*20*mincho,630)..(290,625-20*mincho)..tension 1.3..
570   (490,620-20*mincho)..(810-50*mincho,650);
571 bq[sp]:=(1.3,1.3)-(1.4,1.4)-(1.7,1.7)-(1.9,1.9);
572 bo_serif[sp][0]:=5;
573 bo_serif[sp][3]:=6;
574
575 bp[sp*1]:=(220*10*mincho,420*20*mincho)..(280,420)..tension 1.3..
576   (570,420)..(780-50*mincho,440*20*mincho);
577 bq[sp*1]:=(1.3,1.3)-(1.3,1.3)-(1.6,1.6)-(1.8,1.8);
578 bo_serif[sp*1][0]:=5;
579 bo_serif[sp*1][3]:=6;
580 sp:=sp*2;
581
582   tsu_curve.hira.ma_stem;
583 enddef;
584
585 vardef tsu_curve.hira.mi_base =
586   add_proof_box("hira.mi_base");
587   bp[sp]:=(220*70*mincho,670)..tension 1.3..(460,680)..
588     {curl 1}(540,730){curl 1}..
589     (480,460)..(340,140)..(220,50)..(130,200)..(420,350)..{curl 0.4}(890,100);
590   bq[sp]:=(1.7,1.7)-(1.3,1.3)-(1.6,1.6)-
591     (1.5,1.5)-(1.2,1.2)-(1.5,1.5)-(1.4,1.4)-(1.6,1.6)-(1.8,1.8);
592   bo_tip[sp][2]:=0;
593   bo_serif[sp][0]:=5;
594   bo_serif[sp][2]:=4;
595   sp:=sp*1;
596 enddef;

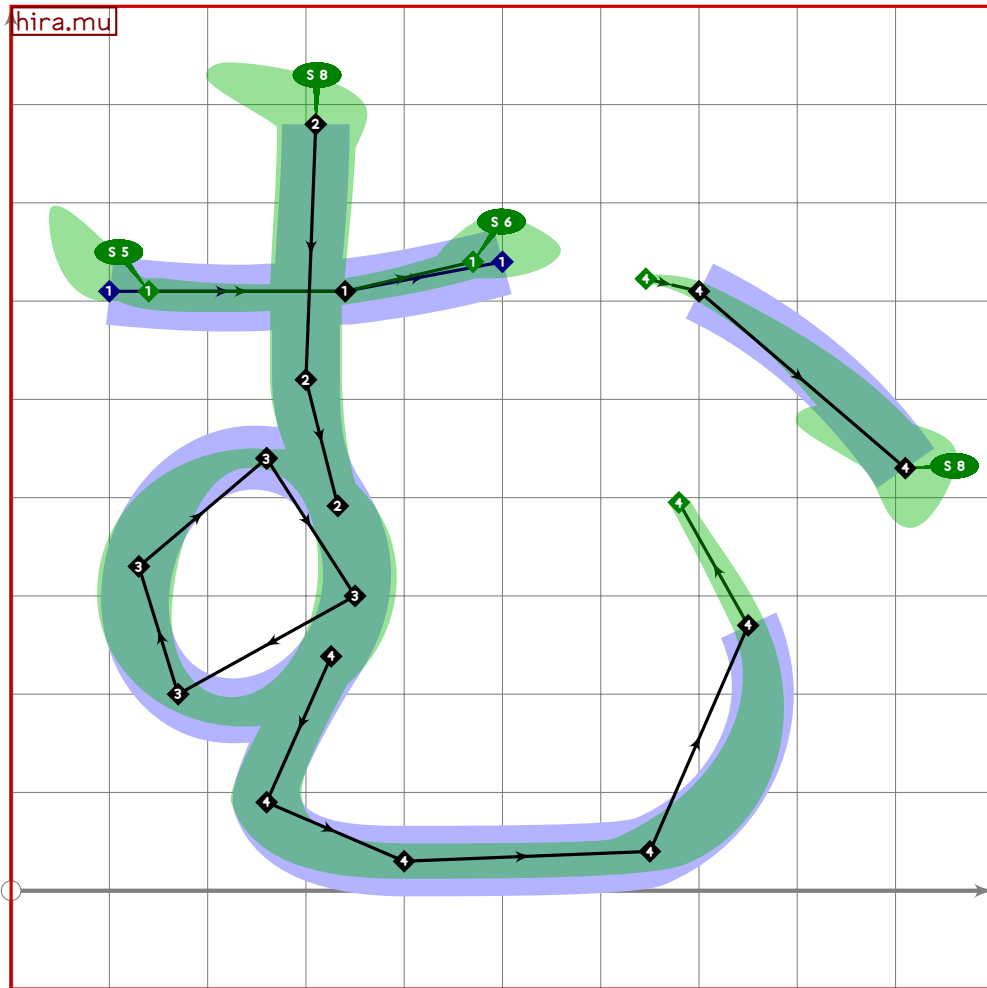
```



```

597
598 vardef tsu_curve.hira.mi =
599   add_proof_box("hira.mi");
600   tsu_curve.hira.mi_base;
601
602   bp[sp]:=(790,420)..(725,220)..(620,30);
603   bq[sp]:=(1.3,1.3)-(1.5,1.5)-(1,1);
604   bo_serif[sp][0]:=8;
605   sp:=sp*1;
606 enddef;

```



```

607
608 vardef tsu_curve.hira.mu =
609   add_proof_box("hira.mu");
610   bp[sp]:=(100+40*mincho,610)..(340,610)..(500-30*mincho,640);
611   bq[sp]:=(1.6,1.6)-(1.4,1.4)-(1.5,1.5);
612   bo_serif[sp][0]:=5;
613   bo_serif[sp][2]:=6;
614
615   bp[sp*2]:=(260,440)..(350,300)..(170,200)..(130,330)..cycle;
616   bq[sp*2]:=(1.3,1.3)..(1.6,1.6)..(1.3,1.3)..(1.6,1.6)..cycle;
617
618   bp[sp*1]:=(310,780){down}..(300,520)..
619     (point 0.5 of bp[sp*2]){direction 0.5 of bp[sp*2]};
620   bq[sp*1]:=(1.6,1.6)-(1.5,1.5)-(1.2,1.2);
621   bo_serif[sp*1][0]:=8;
622
623   bp[sp*3]:=(point 1.25 of bp[sp*2]){direction 1.20 of bp[sp*2]}..
624     (260,90)..(400,30){right}..(650,40)..(750,270)..
625     tension 2..(600,590)..(700,610)..(910,430);
626   bq[sp*3]:=(1.4,1.4)-(1.5,1.5)-(1.8,1.8)-(1.9,1.9)-
627     (1,1)-(0.6,0.6)-(1,1)-(1.6,1.6);

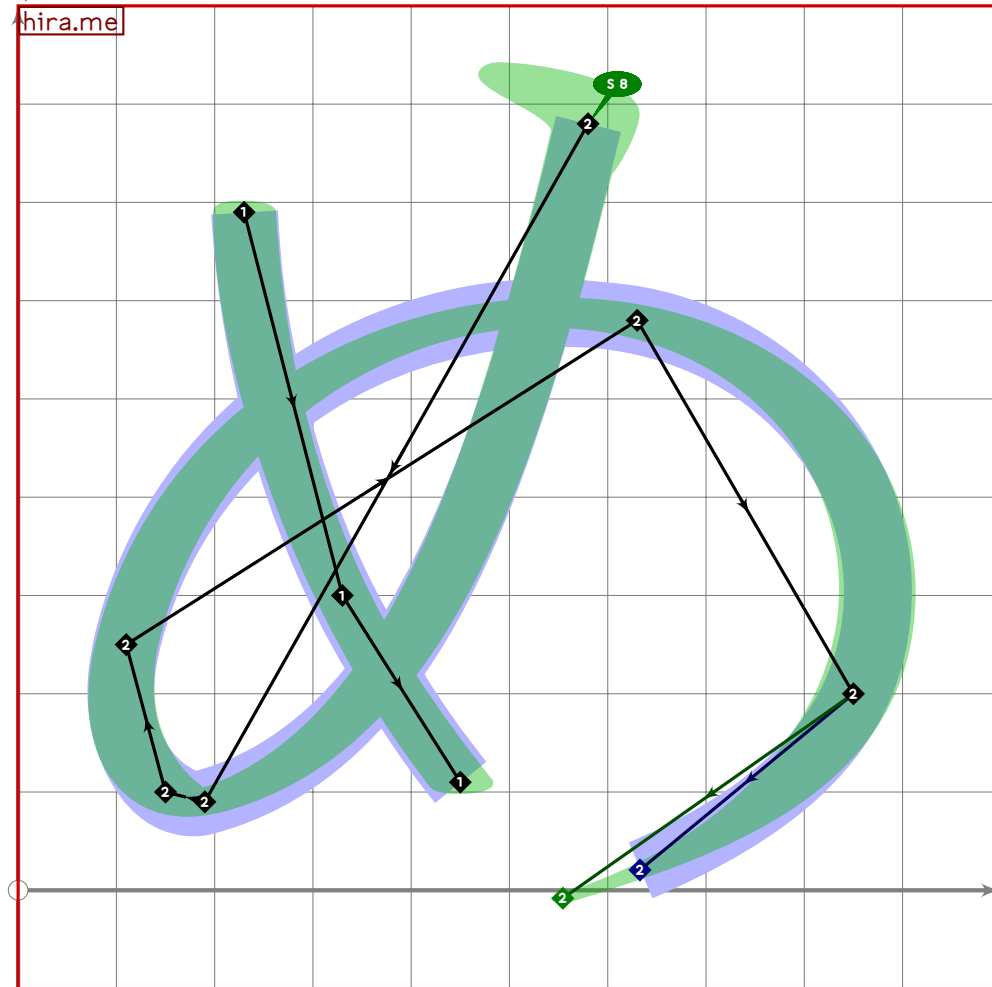
```



```

628 bo_serif[sp*3][7]:=8;
629 sp:=sp*4;
630 enddef;

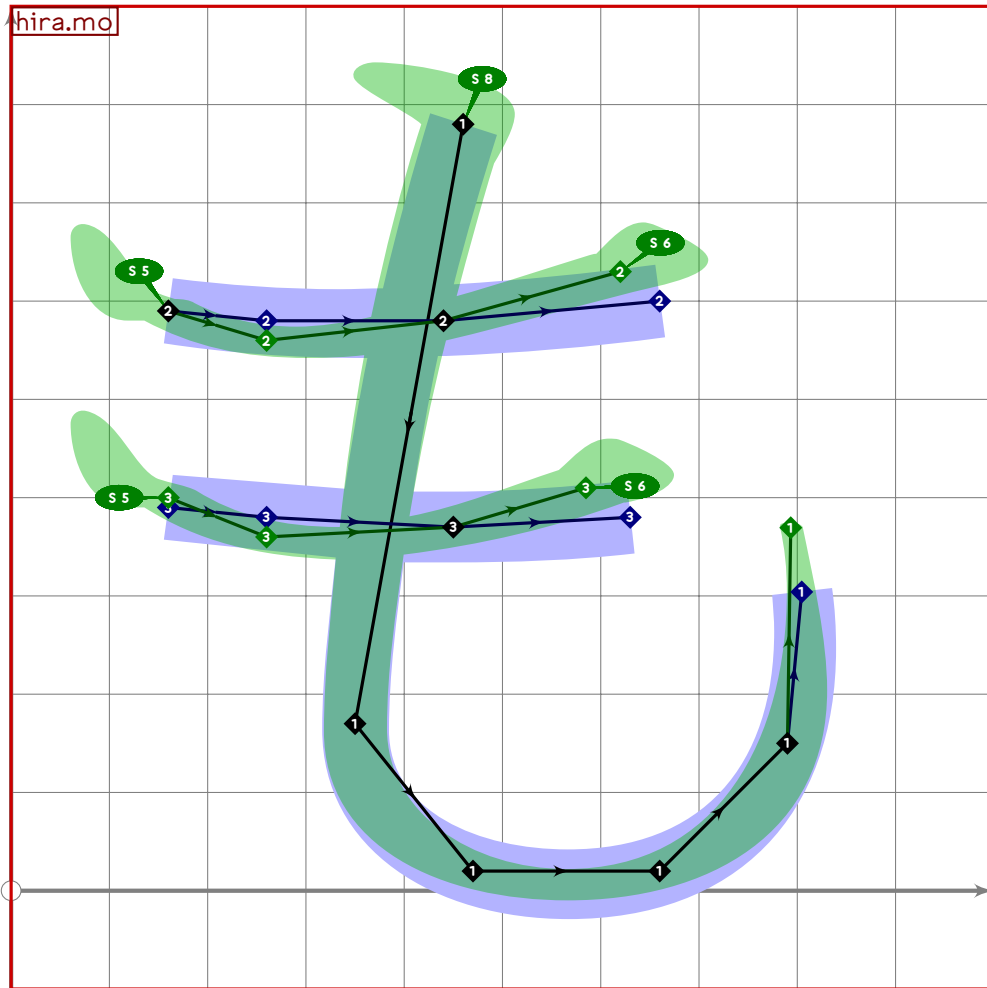
```



```

631
632 vardef tsu_curve.hira.me =
633   add_proof_box("hira.me");
634   bp[sp]:=(230,690)..(330,300)..(450,110);
635   bq[sp]:=(1.4,1.4)-(1.3,1.3)-(1.4,1.4);
636
637   bp[sp*1]:=(580,780){curl 0.2}..tension 2.5..(190,90)..(150,100)..(110,250)..
638     tension 1.1..(630,580)..(850,200)..tension 1.1..{curl 0.2}(470,-30);
639   bq[sp*1]:=(1.5,1.5)-(1.4,1.4)-(1.6,1.6)-(1.4,1.4)-
640     (1.6,1.6)-(1.6,1.6)-(0.65,0.65);
641   bo_serif[sp*1][0]:=8;
642   sp:=sp*2;
643 enddef;

```



```

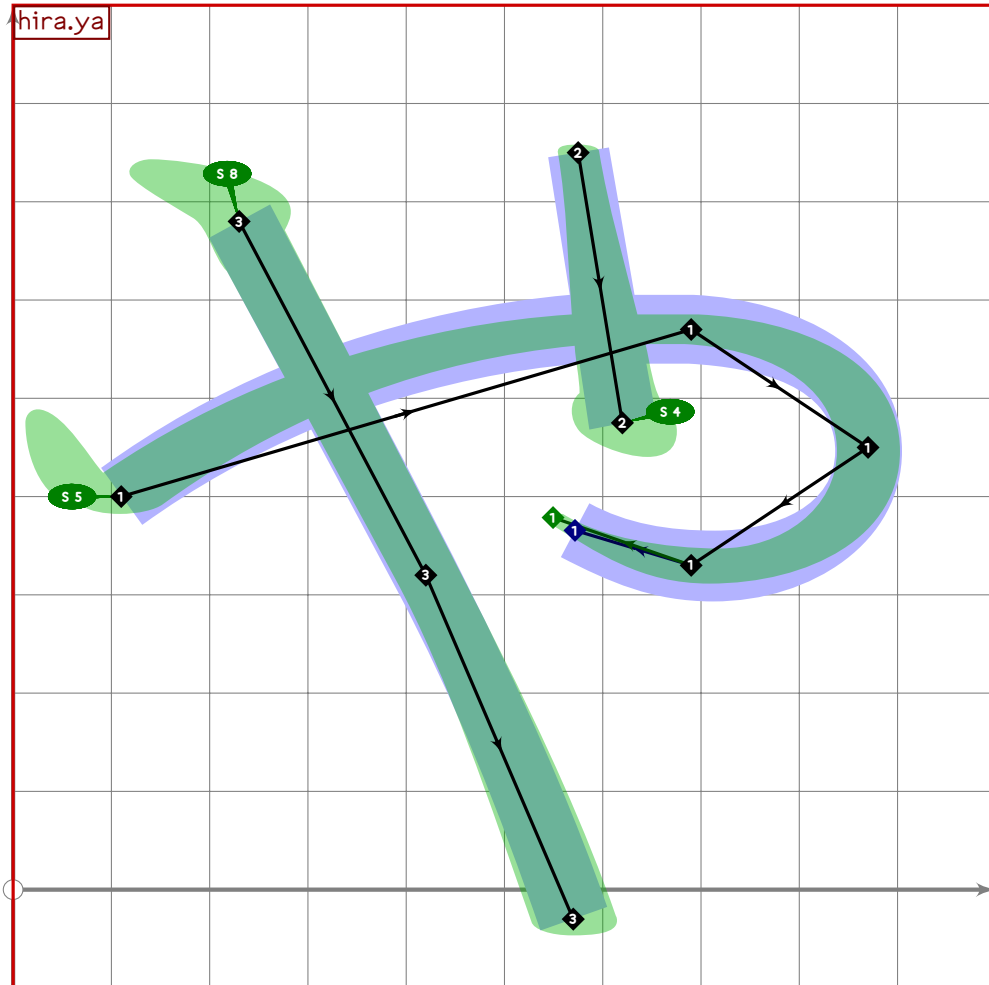
644
645 vardef tsu_curve.hira.mo =
646   add_proof_box("hira.mo");
647   bp[sp]:=(460,780)..tension 3..(350,170)..(470,20)..
648     tension 1.2..(660,20)..(790,150)..{curl 0}(770,460);
649   bq[sp]:=(1.7,1.7)-(1.4,1.4)-(1.6,1.6)-(1.7,1.7)-(1.4,1.4)-(0.6,0.6);
650   bo_serif[sp][0]:=8;
651
652   bp[sp*1]:=(160,590)..(260,580-20*mincho)..(440,580)..
653     (660-40*mincho,600*30*mincho);
654   bq[sp*1]:=(1.4,1.4)-(1.6,1.6)-(1.8,1.8)-(2,2);
655   bo_serif[sp*1][0]:=5;
656   bo_serif[sp*1][3]:=6;
657
658   bp[sp*2]:=(160,390*10*mincho)..(260,380-20*mincho)..(450,370)..
659     (630-45*mincho,380*30*mincho);
660   bq[sp*2]:=(1.4,1.4)-(1.6,1.6)-(1.8,1.8)-(2,2);
661   bo_serif[sp*2][0]:=5;
662   bo_serif[sp*2][3]:=6;
663   sp:=sp*3;
664 enddef;

```

665

Hiragana Yayuyo

666 %%%%%%%%%% HIRAGANA YAYUYO

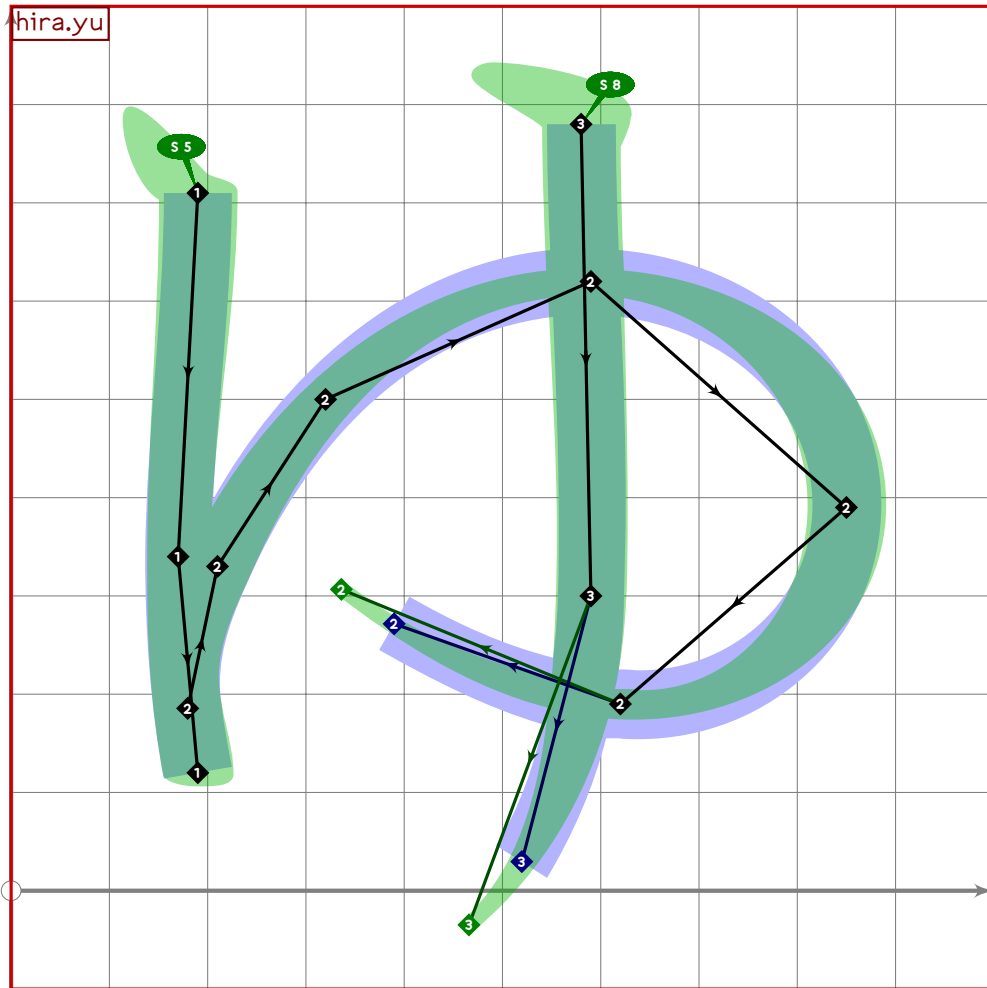


667

```

668 vardef tsu_curve.hira.ya =
669   add_proof_box("hira.ya");
670   bp[sp]:=(110,400)..(690,570)..(870,450)..(690,330)..(520,400);
671   bq[sp]:=(1.8,1.8)-(1.6,1.6)-(1.4,1.4)-(1.8,1.8)-(0.6,0.6);
672   bo_serif[sp][0]:=5;
673
674   bp[sp*1]:=(575,750)-(620,475);
675   bq[sp*1]:=(1.1,1.1)-(1.6,1.6);
676   bo_serif[sp*1][1]:=4;
677
678   bp[sp*2]:=(230,680)..tension 2..(420,320)..(570,-30);
679   bq[sp*2]:=(1.6,1.6)-(1.4,1.4)-(1.7,1.7);
680   bo_serif[sp*2][0]:=8;
681   sp:=sp*3;
682 enddef;

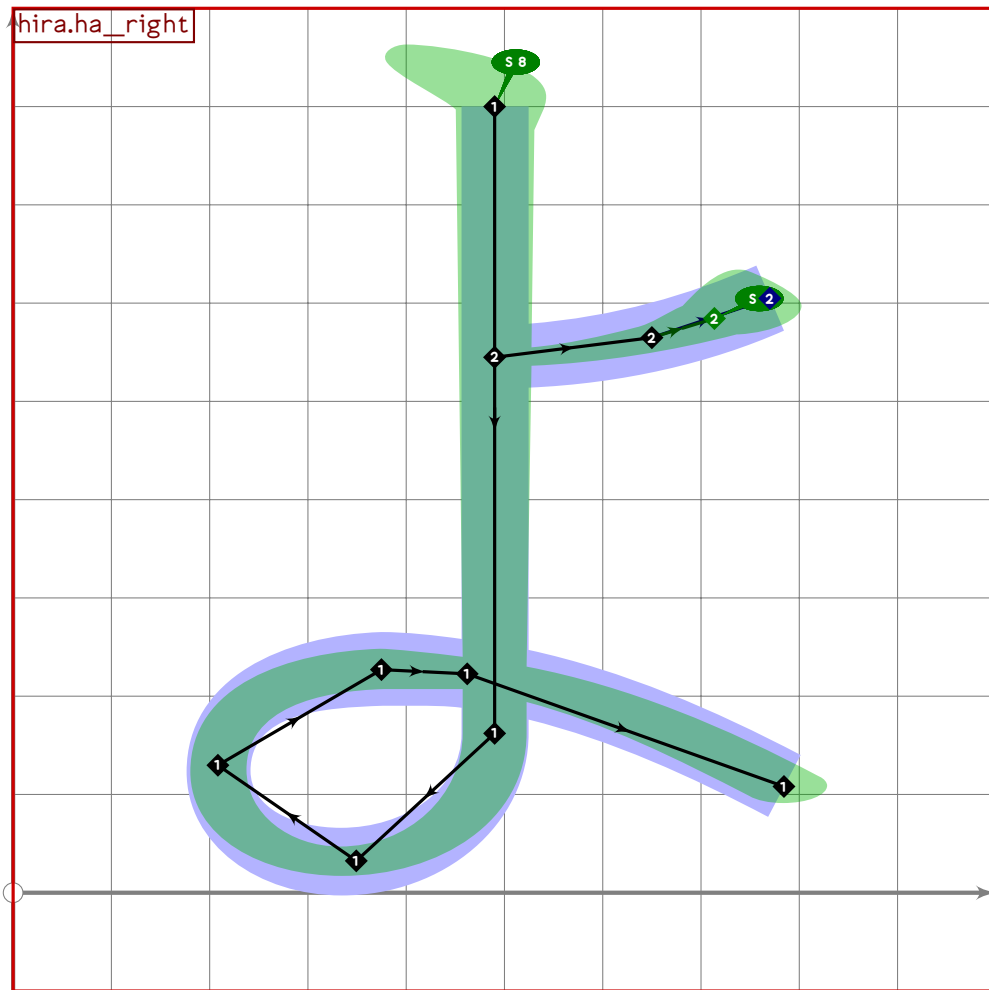
```



```

683
684 vardef tsu_curve.hira.yu =
685   add_proof_box("hira.yu");
686   bp[sp]:=(190,710){down}...(170,340)..(190,120);
687   bq[sp]:=(1.6,1.6)-(1.4,1.4)-(1.5,1.5);
688   bo_serif[sp][0]:=5;
689
690   bp[sp*1]:=(point 1.7 of bp[sp]){direction 1.7 of bp[sp]}..(210,330)..
691     (320,500)..(590,620)..(850,390)..(620,190)..tension 1.3..(320,320);
692   bq[sp*1]:=(1.4,1.4)-(1.5,1.5)-(1.4,1.4)-(1.5,1.5)-(1.6,1.6)-
693     (1.6,1.6)-(0.77,0.77);
694
695   bp[sp*2]:=(580,780){down}...(590,300)..{dir 190}(360,-85);
696   bq[sp*2]:=(1.6,1.6)-(1.5,1.5)-(0.6,0.6);
697   bo_serif[sp*2][0]:=8;
698   sp:=sp*3;
699 enddef;

```



```

700
701 vardef tsu_curve.hira.yo =
702   add_proof_box("hira.yo");
703   tsu_curve.hira.ma_stem;
704
705   bp[sp-1]:=bp[sp-1] shifted (-20,0);
706   z0=point 0.4 of bp[sp-1];
707
708   bp[sp]:=z0..(z0+(160,20))..(z0+(280,60)+60*mincho*dir 200);
709   bq[sp]:=(1.2,1.2)-(1.4,1.4)-(1.8,1.8);
710   bo_serif[sp][2]:=6;
711   sp:=sp*1;
712 enddef;
713

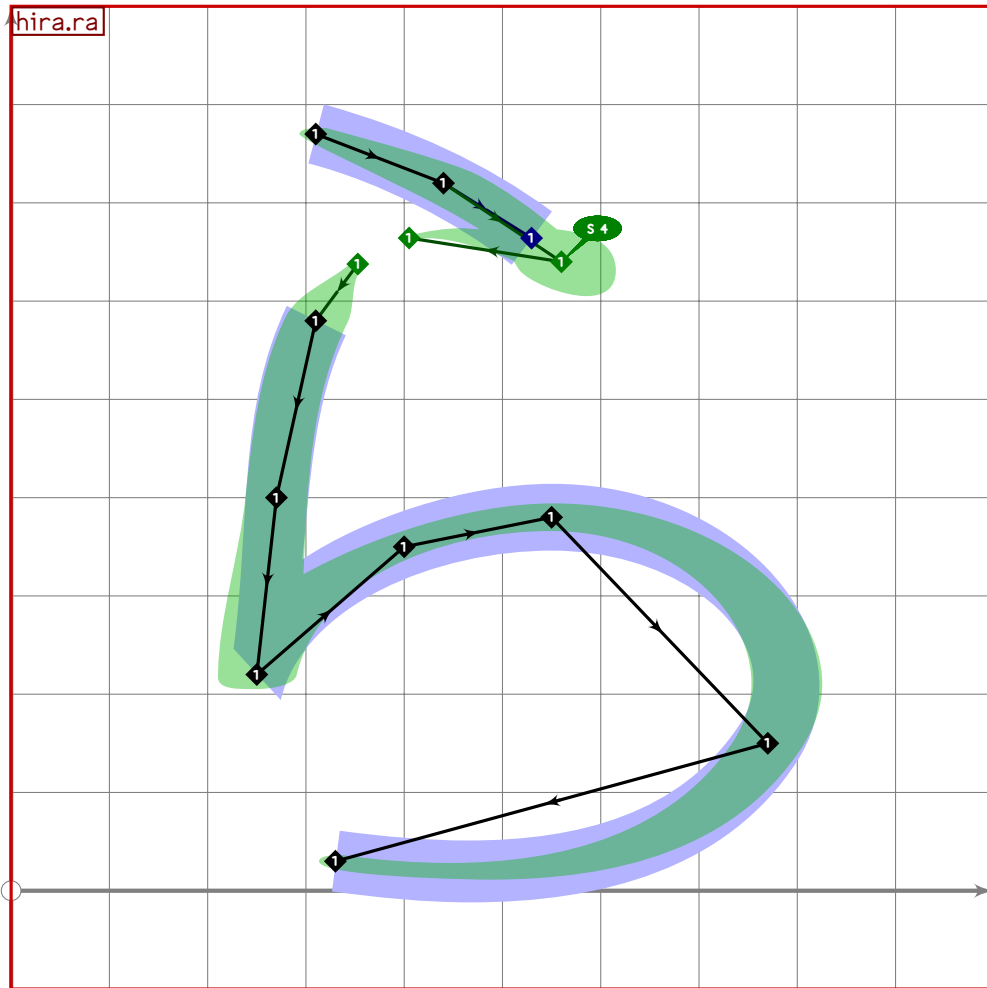
```

Hiragana Rarirurero

```

714 %%%%%%%%%% HIRAGANA RARIRURERO

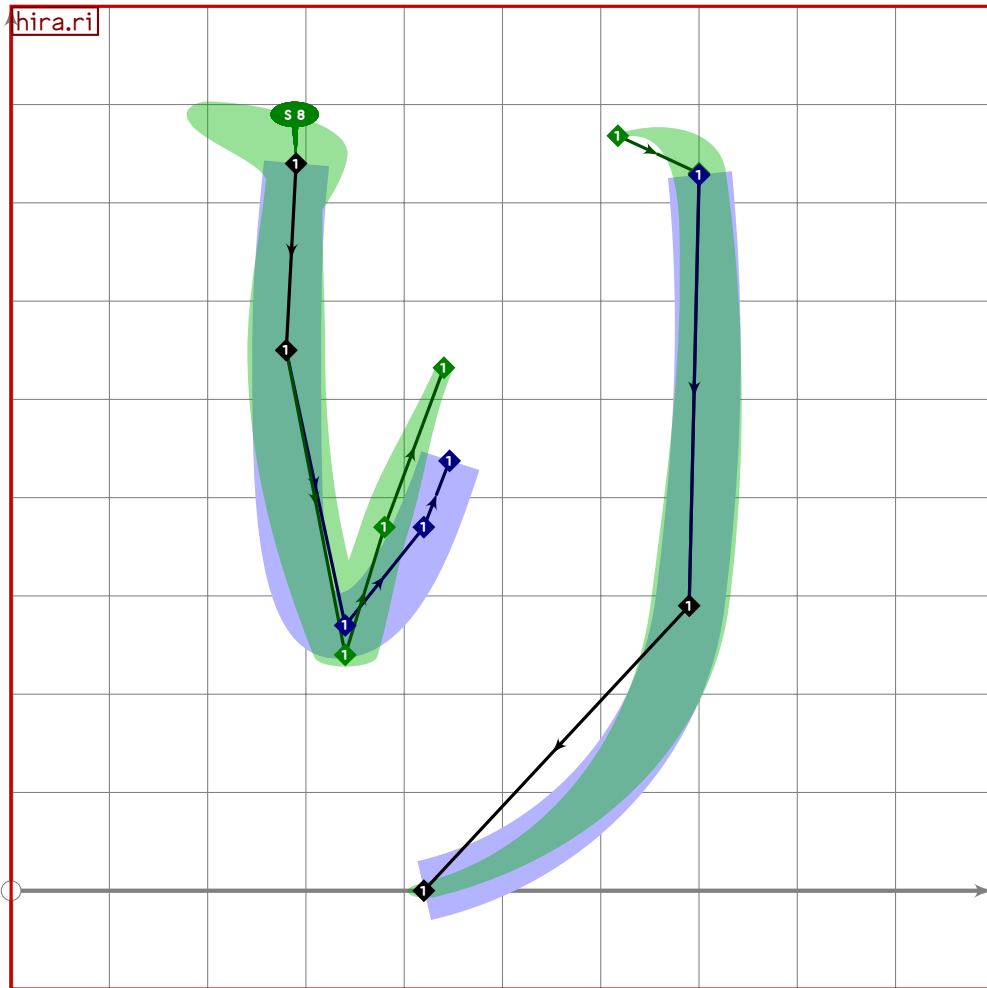
```



```

715
716 vardef tsu_curve.hira.ra =
717   add_proof_box("hira.ra");
718   bp[sp]:=(370,770)..(500,720)..{curl 1}{620,640}{curl 0.1}..
719     (430,650)..(370,580)..(330,400)..(310,220);
720   bq[sp]:=(1,1)-(1.6,1.6)-(2,0.78)-(0.55,0.55)-
721     (1.8,1)-(1.4,1.4)-(1.6,1.6);
722   bo_serif[sp][2]=4;
723
724   tsu_curve.hira.chi_bottom;
725   bo_tip[sp][2]=0;
726
727   bp[sp]:=bp[sp] shifted (-60,0);
728   sp:=sp*1;
729 enddef;

```



```

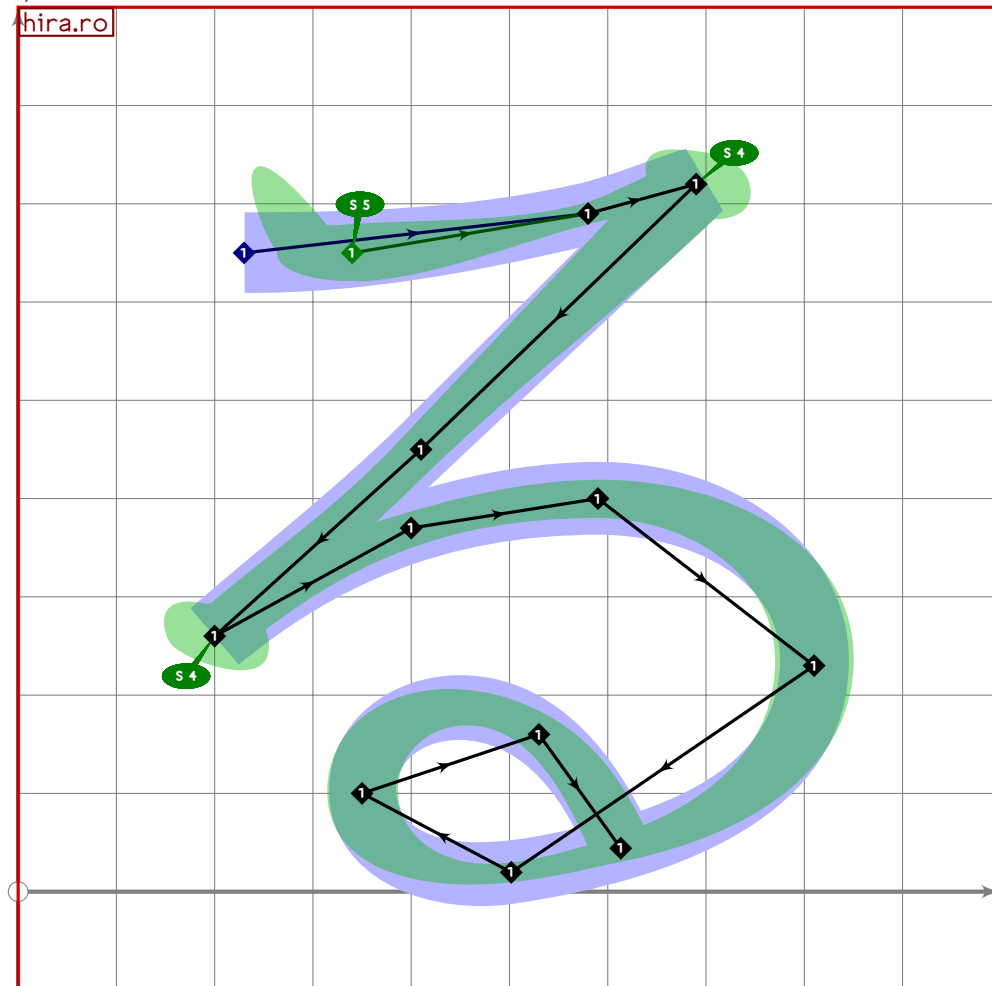
730
731 vardef tsu_curve.hira.ri =
732   add_proof_box("hira.ri");
733   bp[sp]:=(0,0)-(1,1);
734   begingroup
735     path ripx,ripy,ripz;
736     numeric x[],y[];
737     z1=(290,740);
738     z2=(280,550);
739     z3=(340,270-30*mincho);
740     z4=(420-40*mincho,370);
741     z5=(540,710);
742     z6=(700,730);
743     ripx=z1..z2{down}..tension 1.5..z3..
744       tension 1.5..z4..z5..z6..tension 5 and 1.2..
745       (690,290)..tension 0.75 and 1..{curl 0.45}(420,0);
746     ripy=z1..z2{down}..tension 1.5..{curl 1}z3{curl 1}..
747       tension 1.5..z4..z5..z6..tension 5 and 1.2..
748       (690,290)..tension 0.75 and 1..{curl 0.45}(420,0);
749     bp[sp]:=interpath(mincho,ripx,ripy);
750   endgroup;

```

```

751 bq[sp]:=(1.3,1.3)-(1.6,1.6)-(1.4,1.4)-(1.2,1.2)-(0.4,0.2)-
752   (1.5,0.99)-(1.6,1.6)-(1,1);
753 bo_serif[sp][0]:=8;
754 sp:=sp*1;
755 enddef;

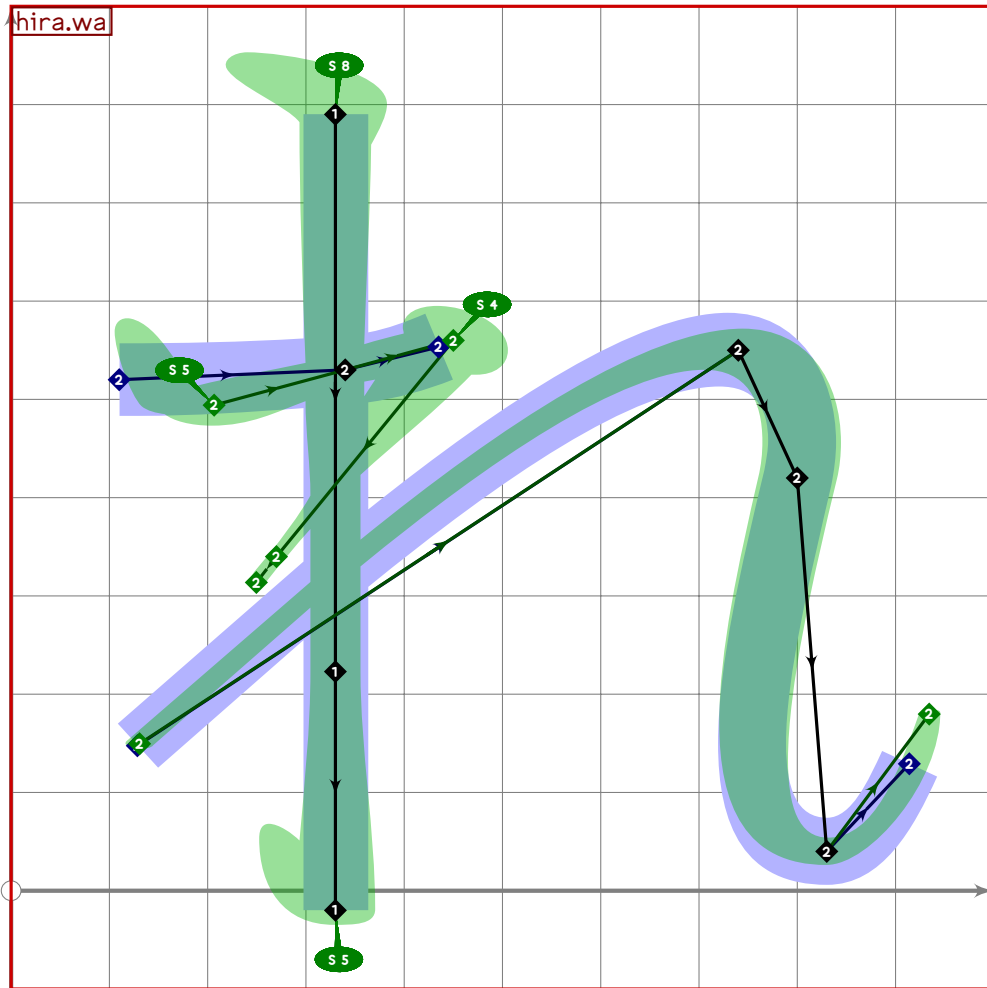
```



```

756
757 vardef tsu_curve.hira.ru =
758   add_proof_box("hira.ru");
759   tsu_curve.hira.ro;
760
761   bp[sp-1]:=(subpath (0,7,8) of bp[sp-1])..(350,100)..(530,160)..
762     {curl 0.2}(point 7.6 of bp[sp-1]);
763   bq[sp-1]:=(2.6,2.6)-(1.2,1.2)-(1.9,1.9)-
764     (1.3,1.3)-(1.6,1.6)-
765     (1.5,1.5)-(1.9,1.9)-(1.6,1.6)-
766     (1.2,1.2)-(1.5,1.5)-(1.4,1.4);
767 enddef;

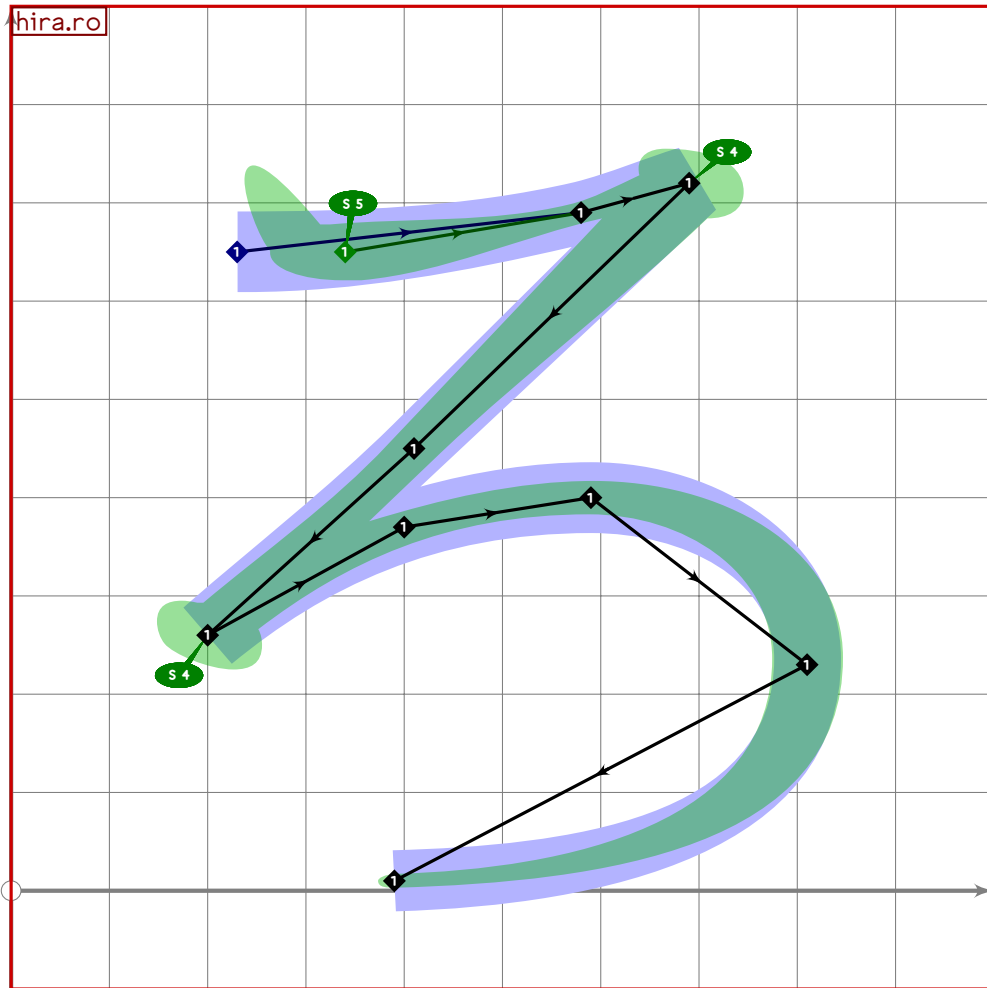
```

```

768
769 vardef tsu_curve.hira.re =
770   add_proof_box("hira.re");
771   tsu_curve.hira.wa;
772
773   bp[sp-1]:=(subpath (0,4) of bp[sp-1]){curl 0}..
774     tension 2..(740,550)..(800,420)..
775     (830,40){right}..tension 1.5..{curl 0}(960,270);
776   bq[sp-1]:=(2,2)-(1.6,1.6)-(2.7,0.9)-
777     (0.84,0.7)-(0.79,0.97)-
778     (2.1,2.1)-(1.6,1.6)-(1.5,1.5)-(0.5,0.5);
779   bo_serif[sp-1][2]=4;
780 enddef;

```



```

781
782 vardef tsu_curve.hira.ro =
783   add_proof_box("hira.ro");
784   bp[sp]:=(230*110*mincho,650)..(580,690)..{curl 1}(690,720){curl 1}..
785     (410,450)..{curl 1}(200,260){curl 1}..
786     (400,370)..(590,400){right}..(810,230)..
787     tension 1.1..{curl 0}(390,10);
788   bq[sp]:=(2.6,2.6)-(1.2,1.2)-(1.9,1.9)-
789     (1.3,1.3)-(1.6,1.6)-
790     (1.5,1.5)-(1.7,1.7)-(1.5,1.5)-(1,1);
791   bo_tip[sp][2]:=0;
792   bo_tip[sp][4]:=0;
793   bo_serif[sp][0]:=5;
794   bo_serif[sp][2]:=4;
795   bo_serif[sp][4]:=4;
796   sp:=sp*1;
797   enddef;
798

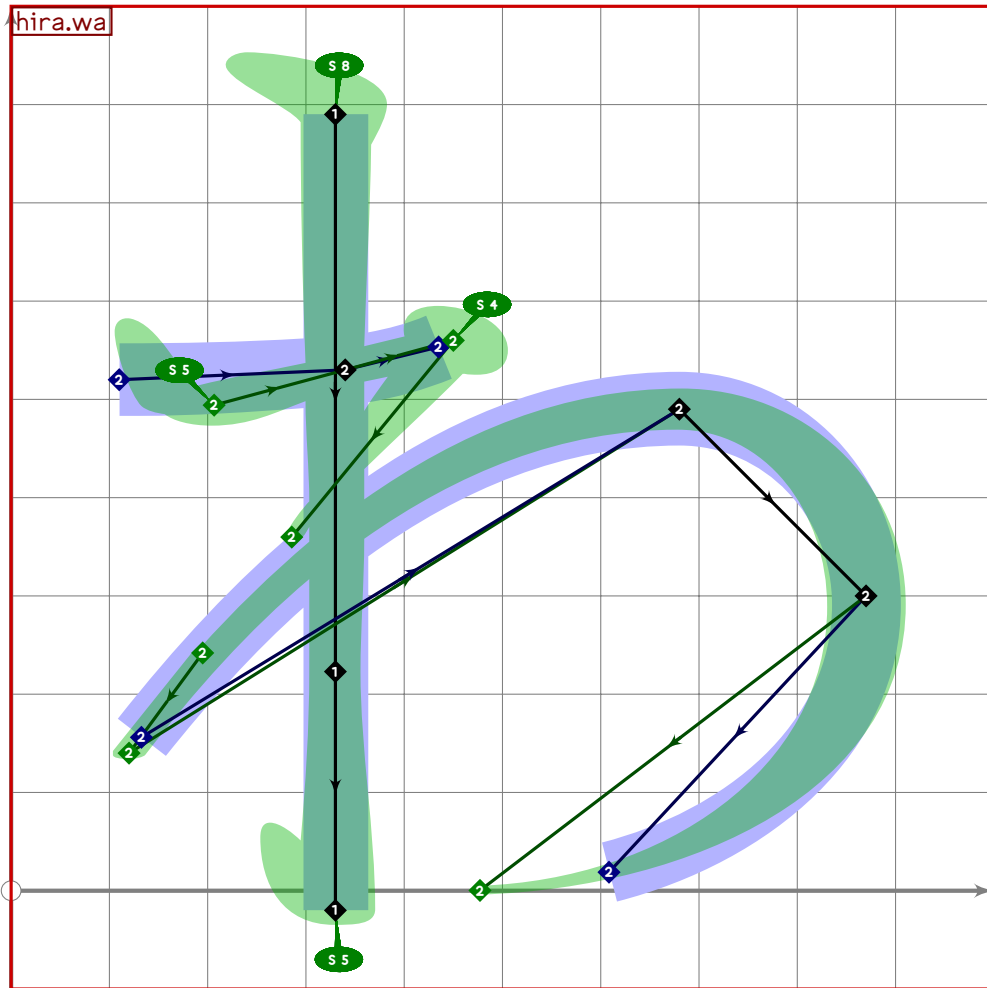
```

Hiragana Wawiwewo/N/Iteration

```

799 %%%%%%%%%% HIRAGANA WAWIWEWO/N/ITERATION

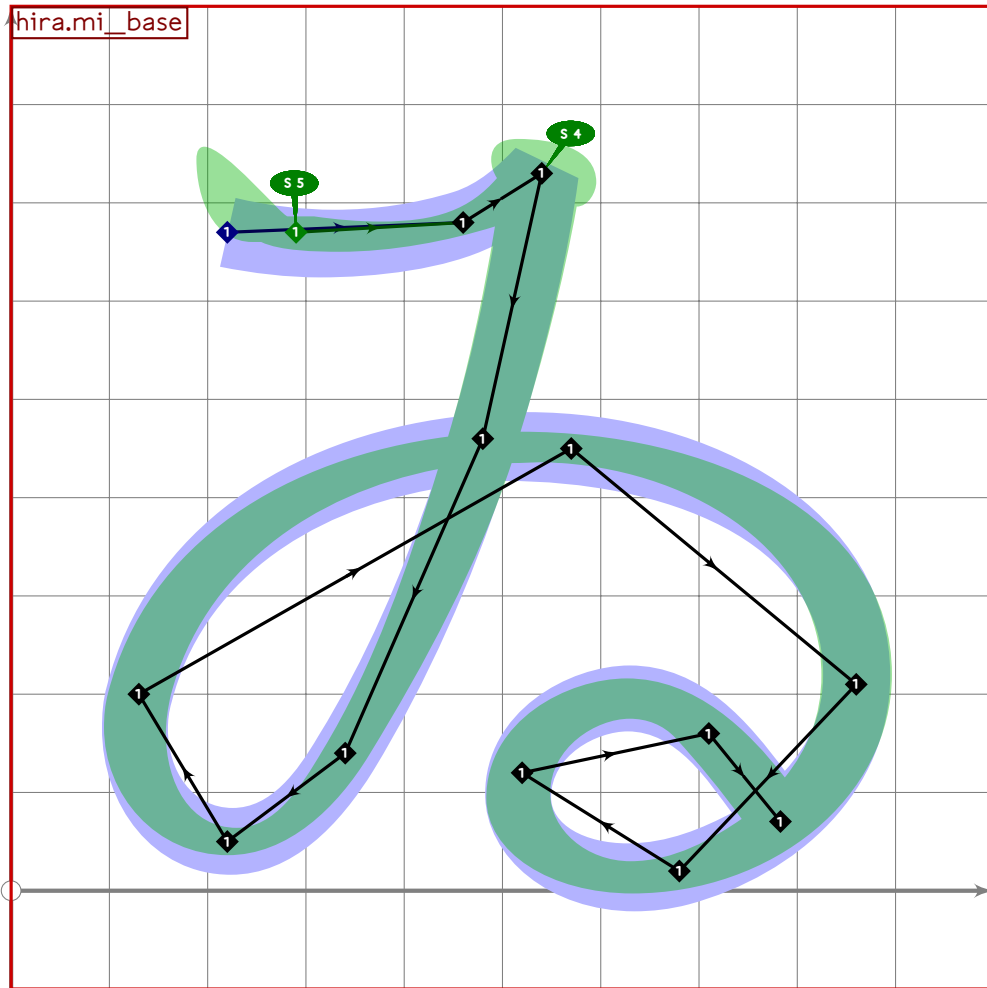
```



```

800
801 vardef tsu_curve.hira.wa =
802   add_proof_box("hira.wa");
803   bp[sp]:=(330,790)-(0.7[(330,790),(330,-20)])-(330,-20);
804   bq[sp]:=(1.5,1.5)-(1.2,1.2)-(1.6,1.6);
805   bo_serif[sp][0]:=8;
806   bo_serif[sp][2]:=5;
807
808   bp[sp*1]:=((110,520)*100*mincho*dir -15)..tension 2..(340,530)..
809     {curl 1}(450,560){curl 1}..
810     (270,340)..{curl 1}(120,140){curl 0.2}..
811     (680,490){right}..(870,300)..{curl 0.2}(450,0);
812   bq[sp*1]:=(2,2)-(1.6,1.6)-(2.2,0.9)-
813     (0.7,0.7)-(0.97,0.97)-
814     (2,2)-(1.6,1.6)-(0.8,0.8);
815   bo_tip[sp*1][2]:=0;
816   bo_tip[sp*1][4]:=0;
817   bo_serif[sp*1][0]:=5;
818   bo_serif[sp*1][2]:=4;
819   sp:=sp*2;
820 enddef;

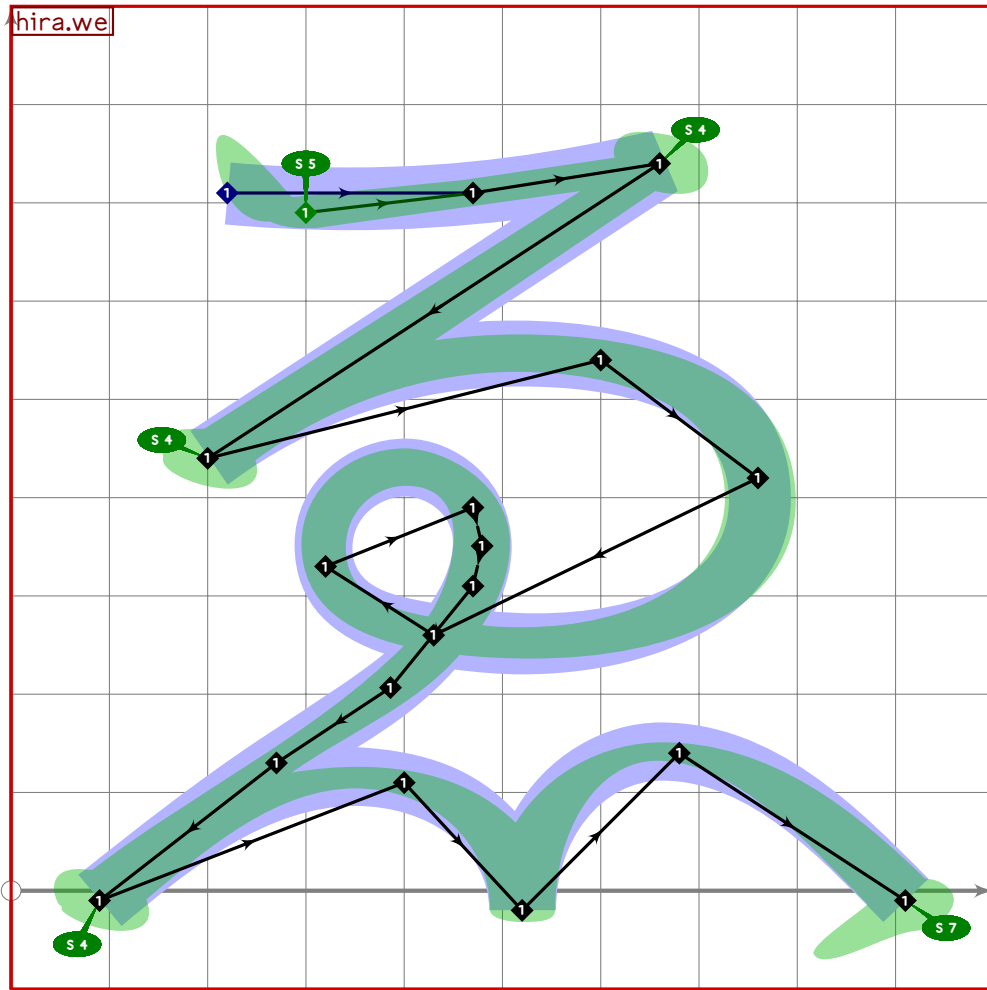
```



```

821
822 vardef tsu_curve.hira.wi =
823   add_proof_box("hira.wi");
824   tsu_curve.hira.mi_base;
825
826   bp[sp-1]:=(subpath (0,6) of bp[sp-1]..(570,450)..(860,210)..(680,20)..
827     (520,120)..tension 1.2..(710,160);
828   bp[sp-1]:=bp[sp-1]..{curl 0.3}(point 8.6 of bp[sp-1]);
829
830   bq[sp-1]:=(1.7,1.7)-(1.3,1.3)-(1.6,1.6)-
831     (1.5,1.5)-(1.2,1.2)-(1.5,1.5)-(1.4,1.4)-
832     (1.6,1.6)-(1.5,1.5)-(1.7,1.7)-(1.4,1.4)-(1.5,1.5);
833 enddef;

```



```

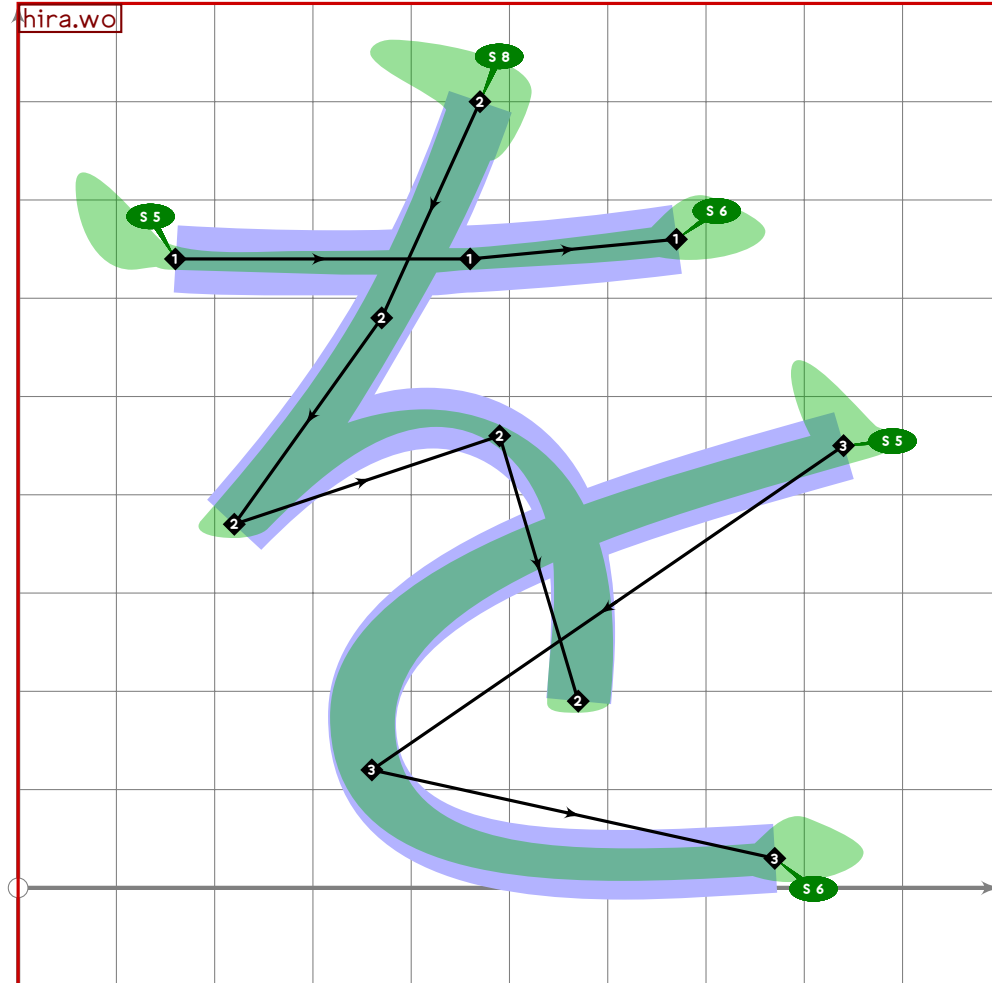
834
835 vardef tsu_curve.hira.we =
836   add_proof_box("hira.we");
837   bp[sp]:=(220+80*mincho,710-20*mincho)..(470,710)..{curl 1}{(660,740)-
838     (200,440){curl 1}..
839     (600,540)..(760,420)..(430,260)..(320,330)..(470,390)..(470,310)..
840     (270,130)..{curl 0}{(90,10){curl 0.1}..
841     (400,110)..{down}{(520,20){up}..
842     (680,140)..tension 1.3..{curl 0.2}{(910,10);
843   bp[sp]:=insert_nodes(bp[sp])(8.5,9.5);
844   bq[sp]:=(1.8,1.8)-(1.6,1.6)-(1.5,1.5)-(1.9,1.9)-
845     (2,2)-(1.6,1.6)-(1.7,1.7)-(1.2,1.2)-(1.3,1.3)-(1.35,1.35)-
846     (1.4,1.4)-(1.5,1.5)-(1.3,1.3)-(1.8,1.8)-
847     (1.4,1.4)-(1.5,1.5)-
848     (1.3,1.3)-(1.7,1.7);
849   bo_size[sp]:=90;
850   bo_tip[sp][2]:=0;
851   bo_tip[sp][3]:=0;
852   bo_tip[sp][13]:=0;
853   bo_tip[sp][15]:=0;
854   bo_serif[sp][0]:=5;

```

```

855 bo_serif[sp][2]:=4;
856 bo_serif[sp][3]:=4;
857 bo_serif[sp][13]:=4;
858 bo_serif[sp][17]:=7;
859 sp:=sp*1;
860 endif;

```



```

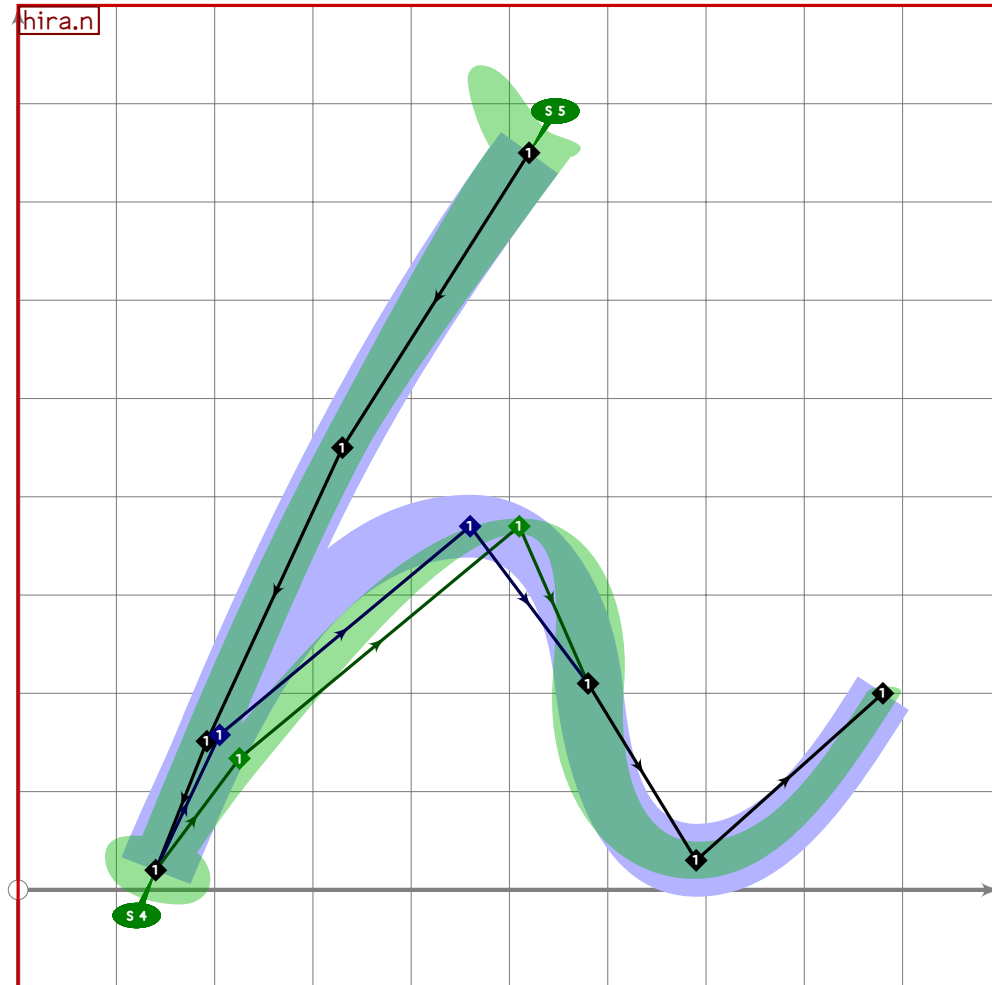
861
862 vardef tsu_curve.hira.wo =
863   add_proof_box("hira.wo");
864   bp[sp]:=(160,640)..(460,640)..(670,660);
865   bq[sp]:=(1.3,1.3)-(1.4,1.4)-(1.6,1.6);
866   bo_serif[sp][0]:=5;
867   bo_serif[sp][2]:=6;
868
869   bp[sp*1]:=(470,800)..(370,580)..{curl 1}(220,370){curl 0}..
870     (490,460)..{curl 0}(570,190);
871   bq[sp*1]:=(1.4,1.4)-(1.3,1.3)-(1.5,1.5)-(1.01,1.01)-(1.4,1.4);
872   bo_tip[sp*1][2]:=0;
873   bo_serif[sp*1][0]:=8;
874
875   bp[sp*2]:=(840,450){curl 0.017}..tension 1 and 2..(360,120)..

```

```

876 tension 2 and 1.{curl 0.03}(770,30);
877 bq[sp*2]:=(1.7,1.7)-(1.4,1.4)-(1.7,1.7);
878 bo_serif[sp*2][0]:=5;
879 bo_serif[sp*2][2]:=6;
880 sp:=sp*3;
881 enddef;

```

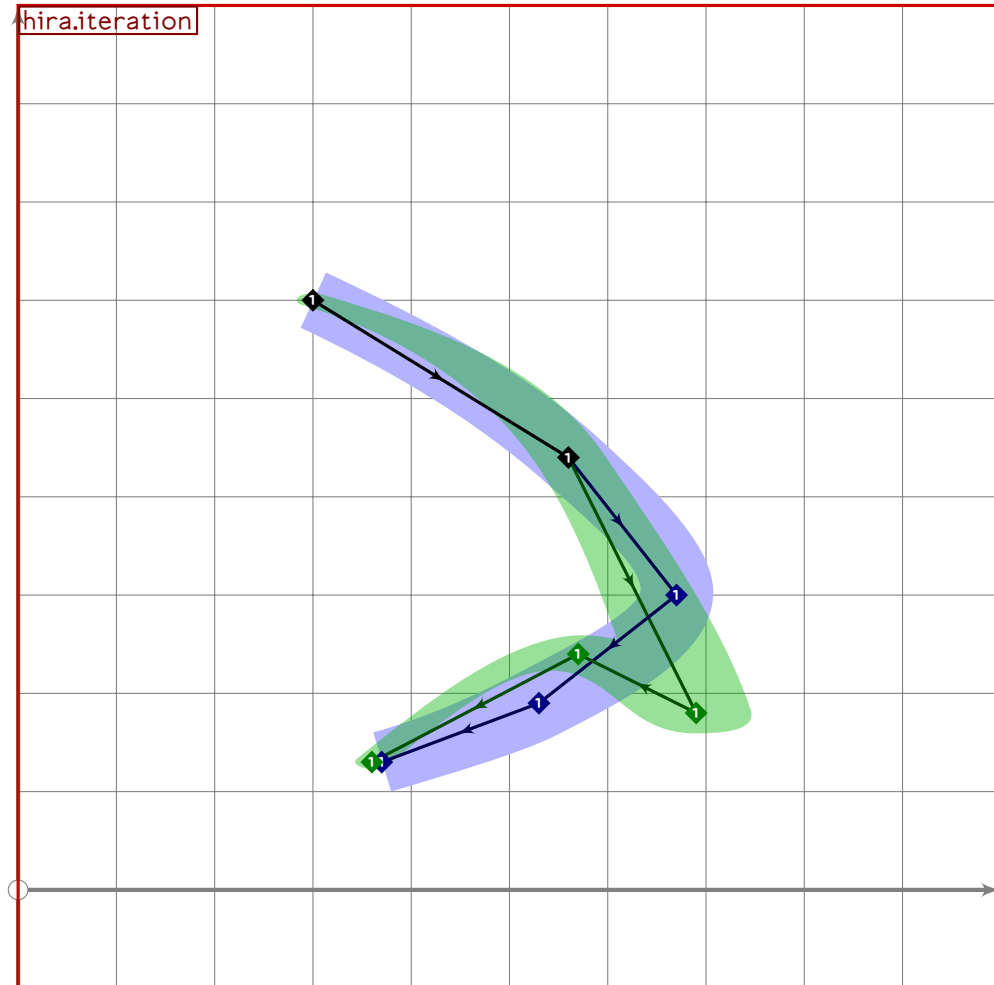


```

882
883 vardef tsu_curve.hira.n =
884   add_proof_box("hira.n");
885   bp[sp]:=(520,750)..(330,450)..{curl 0.2}(140,20){curl 0.1}..
886     tension (1.2*0.6*mincho)..(460*50*mincho,370){right}..
887     (580,210)..(690,30){right};
888   bp[sp]:=bp[sp]{right}..(880,200){direction 0.5 of bp[sp]};
889   bq[sp]:=(1.7,1.7)-(1.2,1.2)-(1.3,1.3)-
890     (1.1,1.1)-(1.5,1.5)-(1.9,1.9)-(1,1);
891   bp[sp]:=insert__nodes(bp[sp])(1.7,2.3);
892   bq[sp]:=insert__nodes(bq[sp])(1.7,2.3);
893   bo_tip[sp][3]:=0;
894   bo_serif[sp][0]:=5;
895   bo_serif[sp][3]:=4;
896   sp:=sp*1;

```

897 enddef;

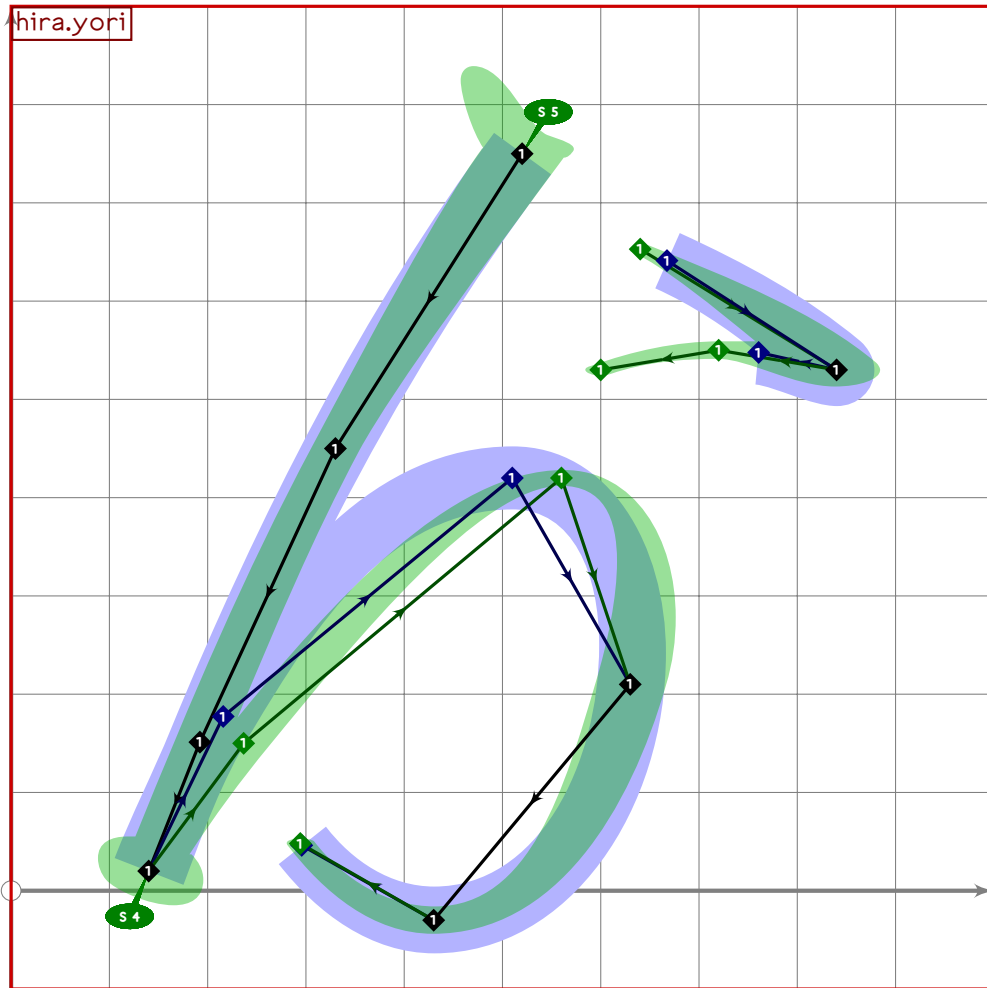


898

```

899 vardef tsu_curve.hira.iteration =
900   add_proof_box("hira.iteration");
901   bp[sp]:=begingroup
902     path rix,ripy;
903     rix:=(300,600){curl 0.2}..(560,440)..
904       tension 1.5 and 2..(670,300)..
905       tension 2 and 1.5..(530,190)..{curl 0.2}(370,130);
906     ripy:=(300,600){curl 0.2}..(560,440)..
907       tension 1.5..{curl 1}(690,180){curl 1}..
908       tension 2 and 1.5..(570,240)..tension 1.4..{curl 0}(360,130);
909     interpath(mincho,rix,ripy)
910   endgroup;
911   bq[sp]:=(1,1)-(1.5,1.5)-(2,2)-(1.9,1.9)-(1,1);
912   bo_tip[sp][2]:=0;
913   sp:=sp*1;
914 enddef;

```

```

915
916 vardef tsu_curve.hira.yori =
917   add_proof_box("hira.yori");
918   bp[sp]:=(520,750)..(330,450)..{curl 0.2}(140,20){curl 0.1}..
919     tension (1.2*0.6*mincho)..(510+50*mincho,420){right}..
920     (630,210)..(430,-30){left}..tension 1.3..(290,600)..
921     {curl 0.1}(840,530){curl 1}..(720,550)..(600,530);
922   bq[sp]:=(1.7,1.7)-(1.2,1.2)-(1.3,1.3)-
923     (1.1,1.1)-
924     (1.5,1.5)-(1.5,1.5)-(-1,-0.4)-
925     (1.8,1.6)-(1.6,0.7)-(1.9,0);
926   bp[sp]:=insert__nodes(bp[sp])(1.7,2.3);
927   bq[sp]:=insert__nodes(bq[sp])(1.7,2.3);
928   bo_tip[sp][3]:=0;
929   bo_tip[sp][9]:=0;
930   bo_serif[sp][0]:=5;
931   bo_serif[sp][3]:=4;
932   sp:=sp*1;
933 enddef;

```

iching.mp

```
1 %
2 % I Ching characters for Tsukurimashou
3 % Copyright (C) 2011 Matthew Skala
4 %
5-29 [Standard copyright notice]
30
31 

---


32
33 iching.size:=680;
34
35 vardef make_iching_xform(expr numlines) =
36   transform iching_xform;
37   numeric x[];
38
39   x2-x1=iching.size;
40   (x1+x2)/2=500;
41
42   (1,(numlines*1)/2) transformed iching_xform=
43     (x1,0.5[latin_wide_low_h,latin_wide_high_h]);
44   (1,(numlines*1)/2) transformed iching_xform=
45     (x2,0.5[latin_wide_low_h,latin_wide_high_h]);
46   (-1,(numlines*1)/2-2.5) transformed iching_xform=
47     (x1,latin_wide_low_h);
48 enddef;
49
50 vardef tsu_curve.iching.line(expr line,numlines,linetype) =
51   make_iching_xform(numlines);
52   if linetype=0:
53     bp[sp]:=((-1,line)-(-0.28,line)) transformed iching_xform;
54     bq[sp]:=(2,2)-(2,2);
55     bp[sp*1]:=bp[sp] reflectedabout (centre_pt,centre_pt*down);
56     bq[sp*1]:=(2,2)-(2,2);
57     sp:=sp*2;
58   else:
59     bp[sp]:=((-1,line)-(-1,line)) transformed iching_xform;
60     bq[sp]:=(2,2)-(2,2);
61     sp:=sp*1;
62   fi;
63 enddef;
64
65 % WARNING, nonstandard calling convention, simply returns a path to fill
66 vardef tsu_curve.iching.dot(expr line,numlines) =
67   begingroup;
68   make_iching_xform(numlines);
69   (fullcircle scaled (tsu_punct_size*1,10)
70     shifted (((1,line) transformed iching_xform)
```

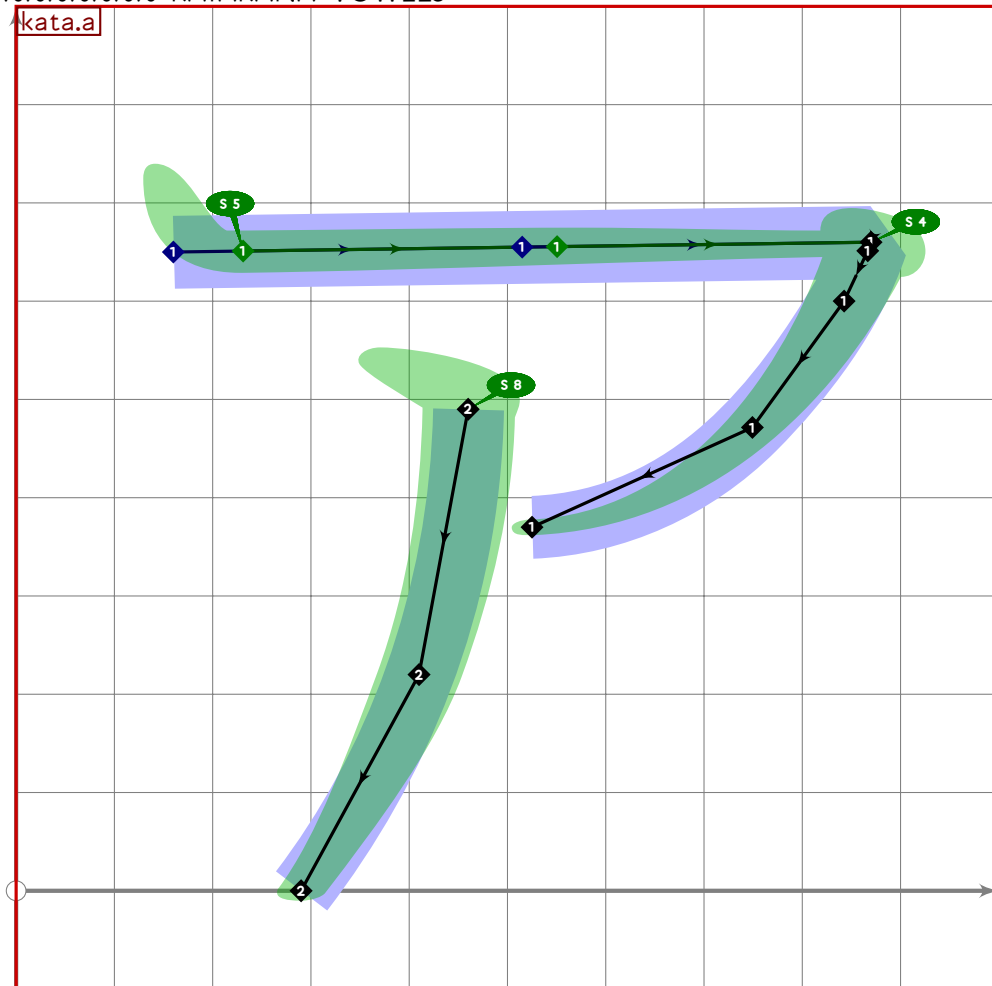
```
71          *(1000-iching.size)*0.25*right))
72  endgroup
73 enddef;
```

katakana.mp

```
1 %  
2 % Katakana for Tsukurimashou  
3 % Copyright (C) 2011 Matthew Skala  
4 %  
5-29 [Standard copyright notice]  
30  
31  
32
```

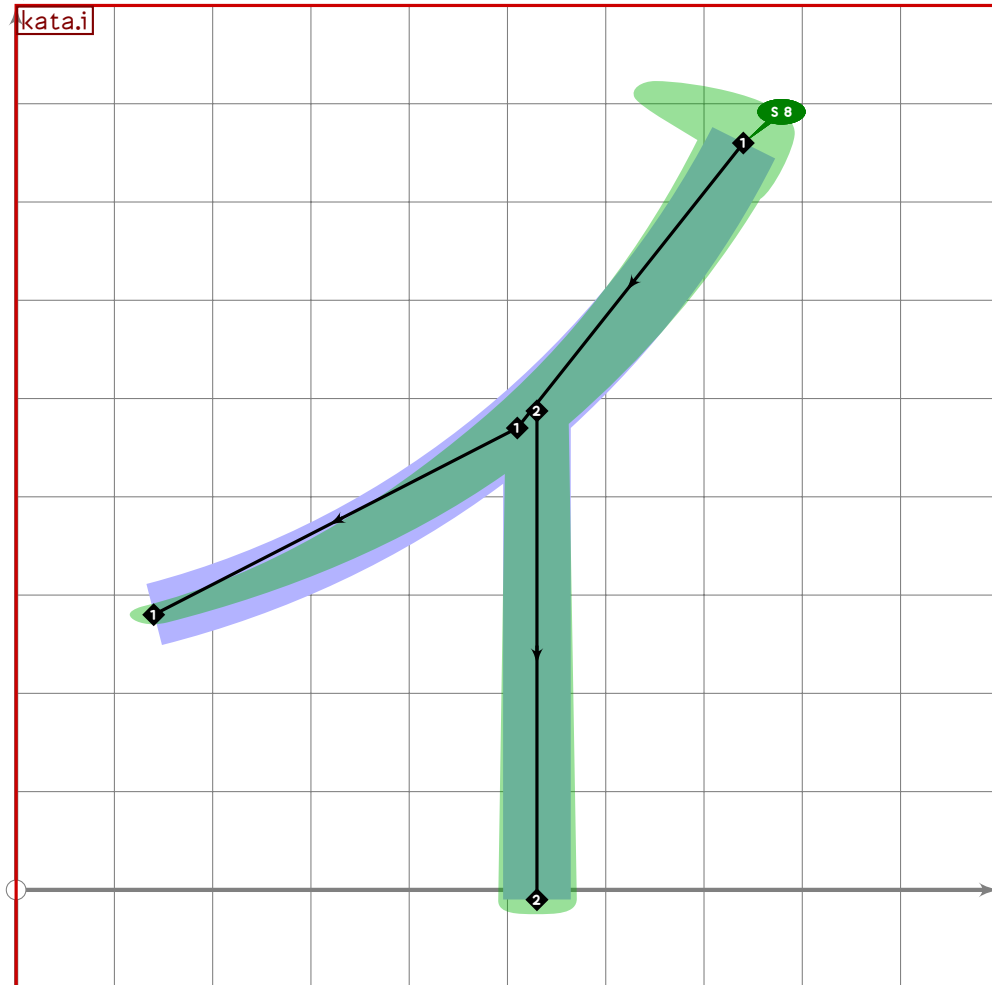
Katakana Vowels

```
33 %%%%%%%%% KATAKANA VOWELS
```



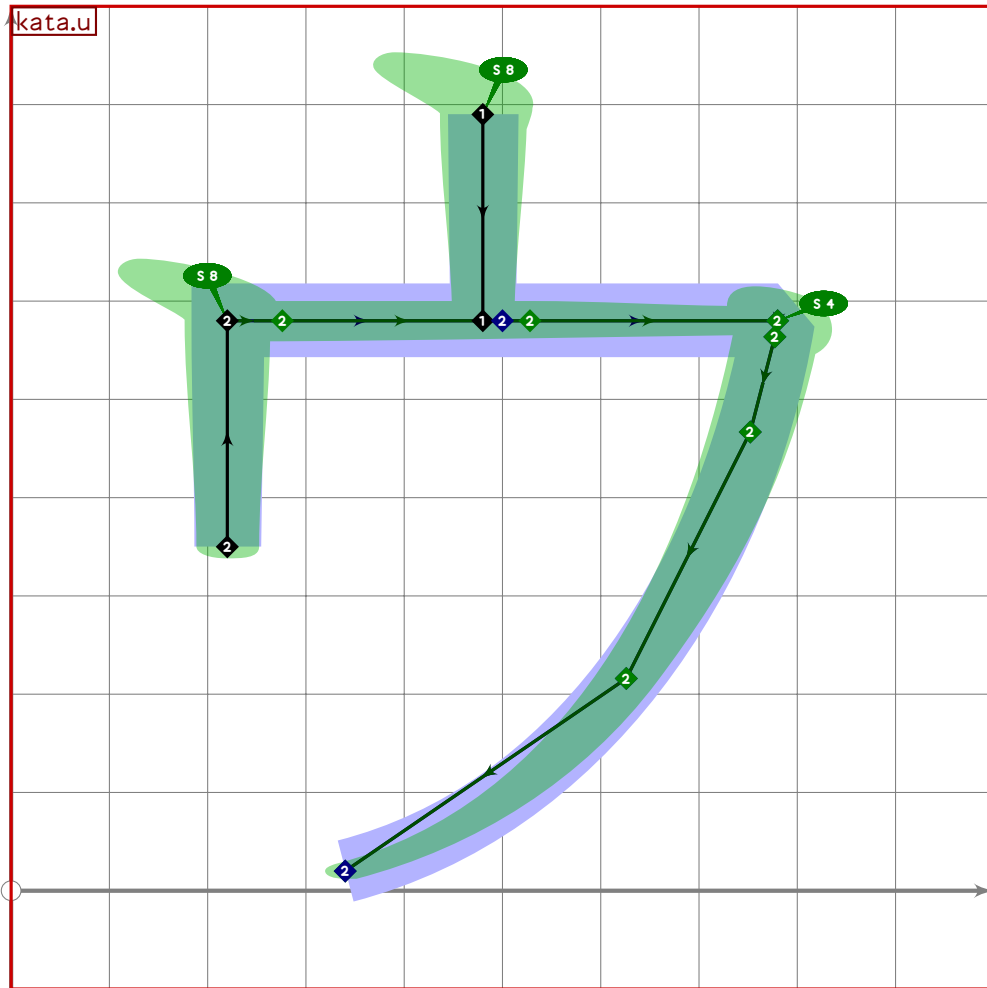
```
34  
35 vardef tsu_curve.kata.a =  
36   add_proof_box("kata.a");  
37   tsu_curve.kata.fu_stroke(sp)((160,650),(870,660),(525,370));  
38   bp[sp*1]:=(460,490)..(410,220)..(290,0);  
39   bq[sp*1]:=(1.8,1.8)-(1.7,1.7)-(1.2,1.2);  
40   bo_serif[sp*1][0]:=8;  
41   sp:=sp*2;
```

42 enddef;



43

```
44 vardef tsu_curve.kata.i =  
45   add_proof_box("kata.i");  
46   bp[sp]:=(740,760)..(510,470)..(140,280);  
47   bq[sp]:=(1.8,1.8)-(1.7,1.7)-(1.2,1.2);  
48   bo_serif[sp][0]:=8;  
49   bp[sp*1]:=(bp[sp] intersectionpoint ((530,-infinity)-(530,infinity)))-  
50     (530,10);  
51   bq[sp*1]:=(1.4,1.4)-(1.6,1.6);  
52   sp:=sp*2;  
53 enddef;
```



```

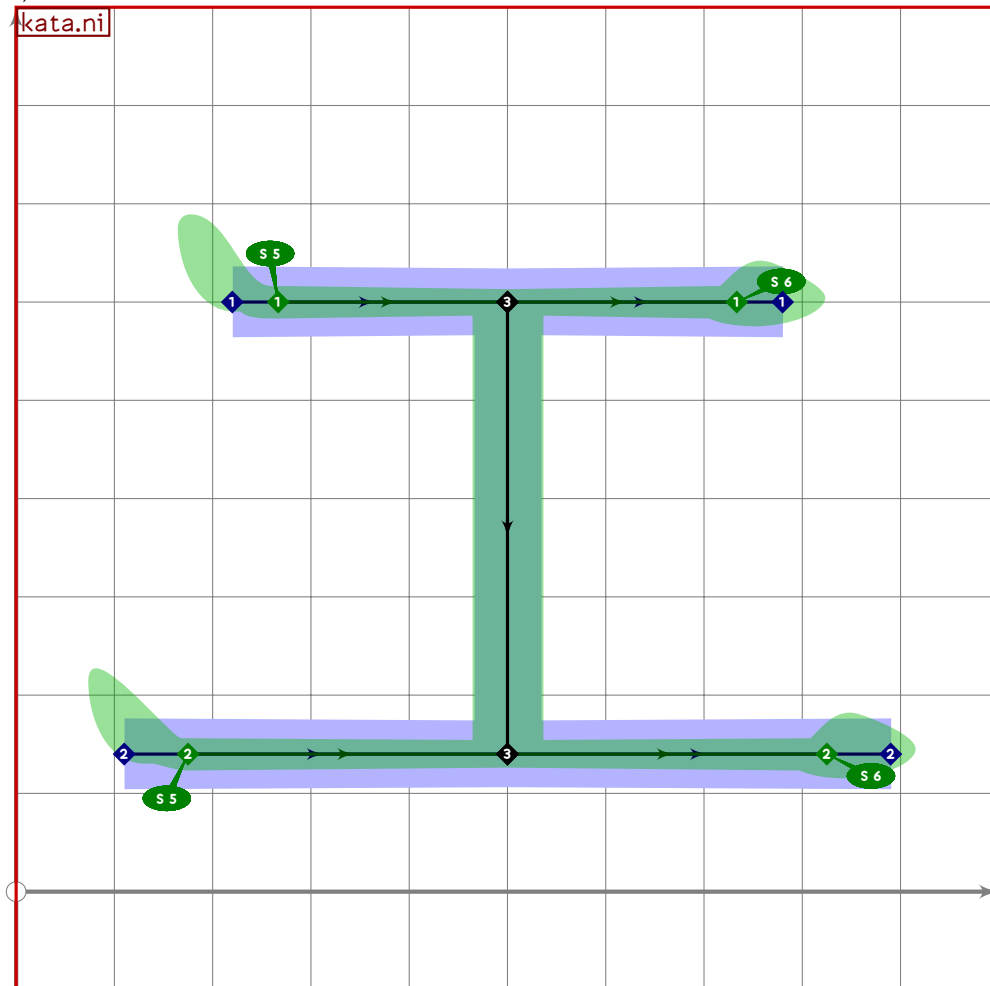
54
55 vardef tsu_curve.kata.u =
56   add_proof_box("kata.u");
57   bp[sp]:= (480,790) - (480,580);
58   bq[sp]:= (1.7,1.7) - (1.4,1.4);
59   bo_serif[sp][0]:= 8;
60
61   tsu_curve.kata.fu_stroke(sp*1)((220,580),(780,580),(340,20));
62   if mincho > 0.01:
63     bp[sp*1]:= (220,350) - (220,580) - bp[sp*1];
64     bq[sp*1]:= (1.4,1.4) - (1.7,1.7) - bq[sp*1];
65     bo_tip[sp*1][2]:= 1;
66     bo_tip[sp*1][4]:= 0;
67     bo_serif[sp*1][2]:= whatever;
68     bo_serif[sp*1][4]:= 4;
69   else:
70     bp[sp*1]:= (220,350) - bp[sp*1];
71     bq[sp*1]:= (1.4,1.4) - bq[sp*1];
72     bo_tip[sp*1][1]:= 1;
73     bo_tip[sp*1][3]:= 0;
74     bo_serif[sp*1][3]:= 4;

```

```

75 fi;
76 bo_serif[sp*1][0]:=whatever;
77 bo_serif[sp*1][1]:=8;
78 sp:=sp*2;
79 enddef;

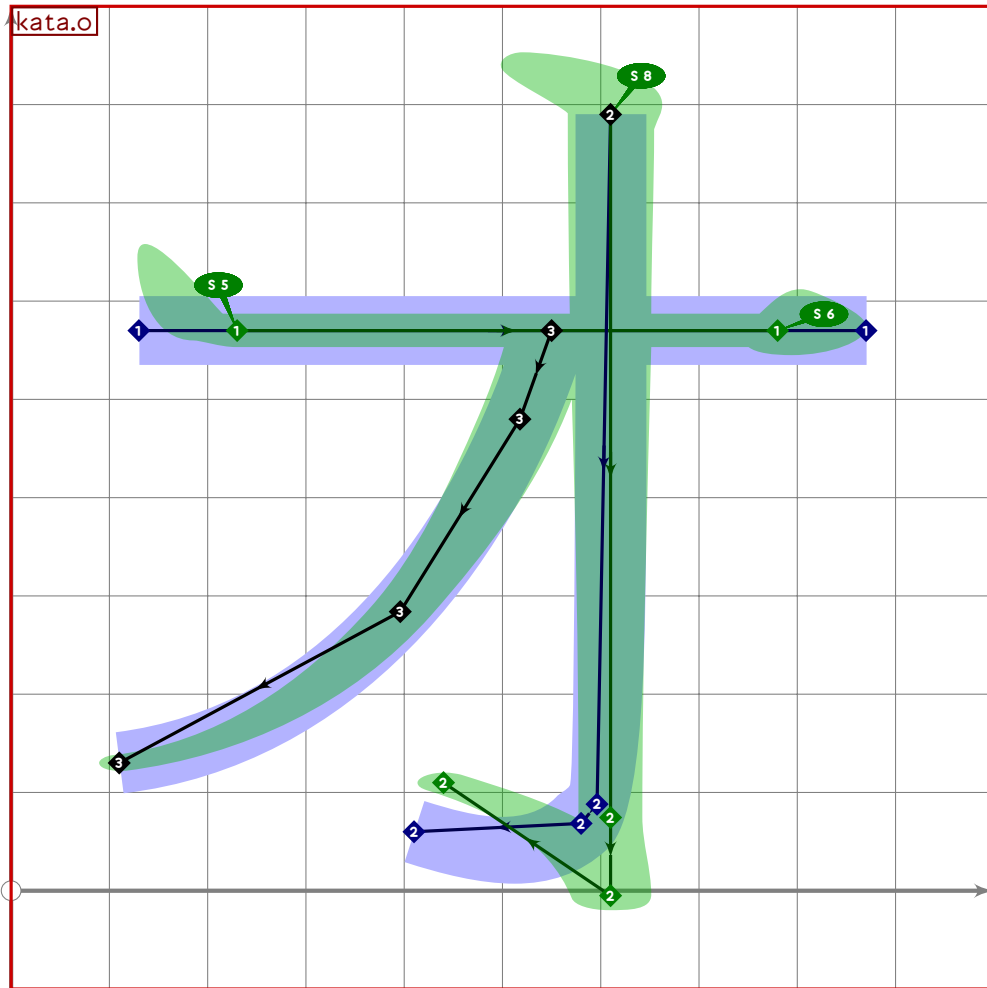
```



```

80
81 vardef tsu_curve.kata.e =
82   add_proof_box("kata.e");
83   tsu_curve.kata.ni;
84   bp[sp]:=(point 1 of bp[sp-2])-(point 1 of bp[sp-1]);
85   bq[sp]:=(1.5,1.5)-(1.5,1.5);
86   sp:=sp*1;
87 enddef;

```



```

88
89 vardef tsu_curve.kata.o =
90   add_proof_box("kata.o");
91   bp[sp]:=(130*100*mincho,570)-(870-90*mincho,570);
92   bq[sp]:=(1.8,1.8)-(1.6,1.6);
93   bo_serif[sp][0]:=5;
94   bo_serif[sp][1]:=6;
95   tsu_curve.kata.ho_centre(sp*1)((610,790),(610,20));
96   tsu_curve.kata.no_stroke(sp*2)((550,570),(110,130));
97   sp:=sp*3;
98 enddef;
99

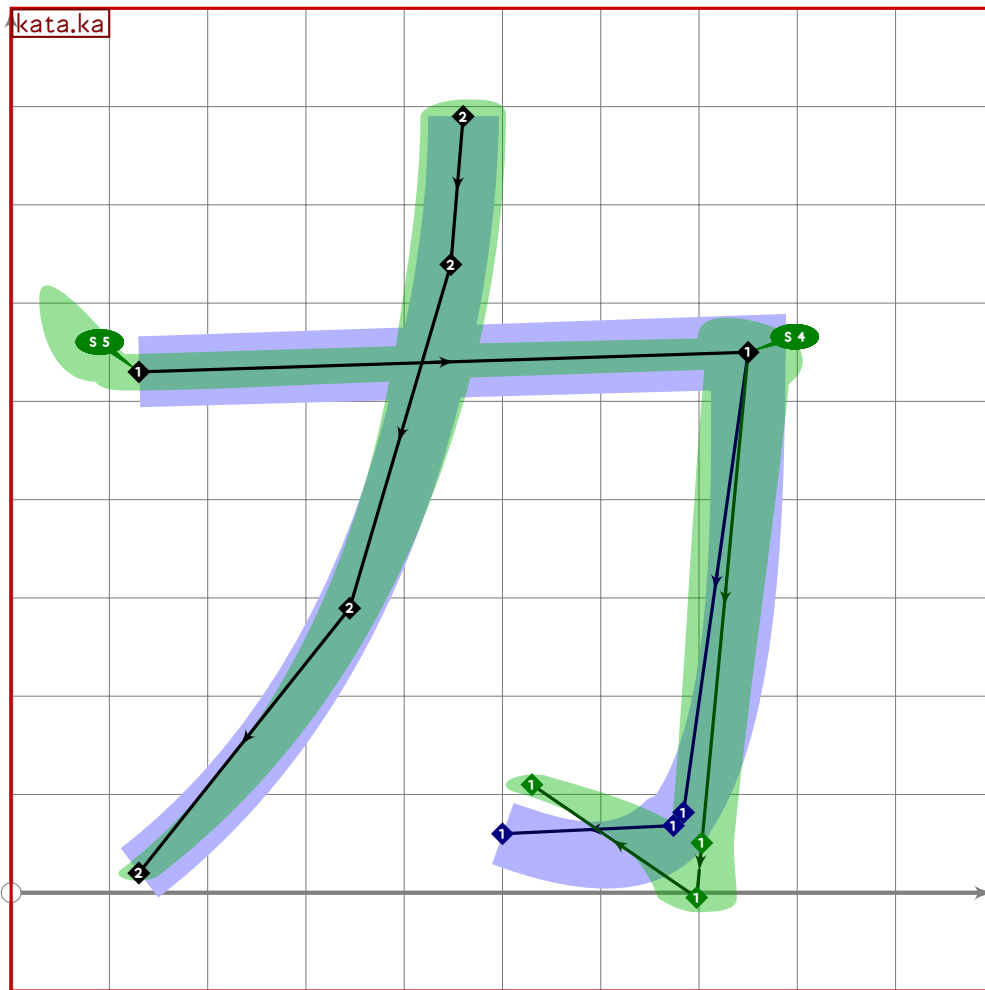
```

Katakana Kakikukeko/Gagigugego

```

100 %%%%%%%%% KATAKANA KAKIKUKEKO/GAGIGUGEGO

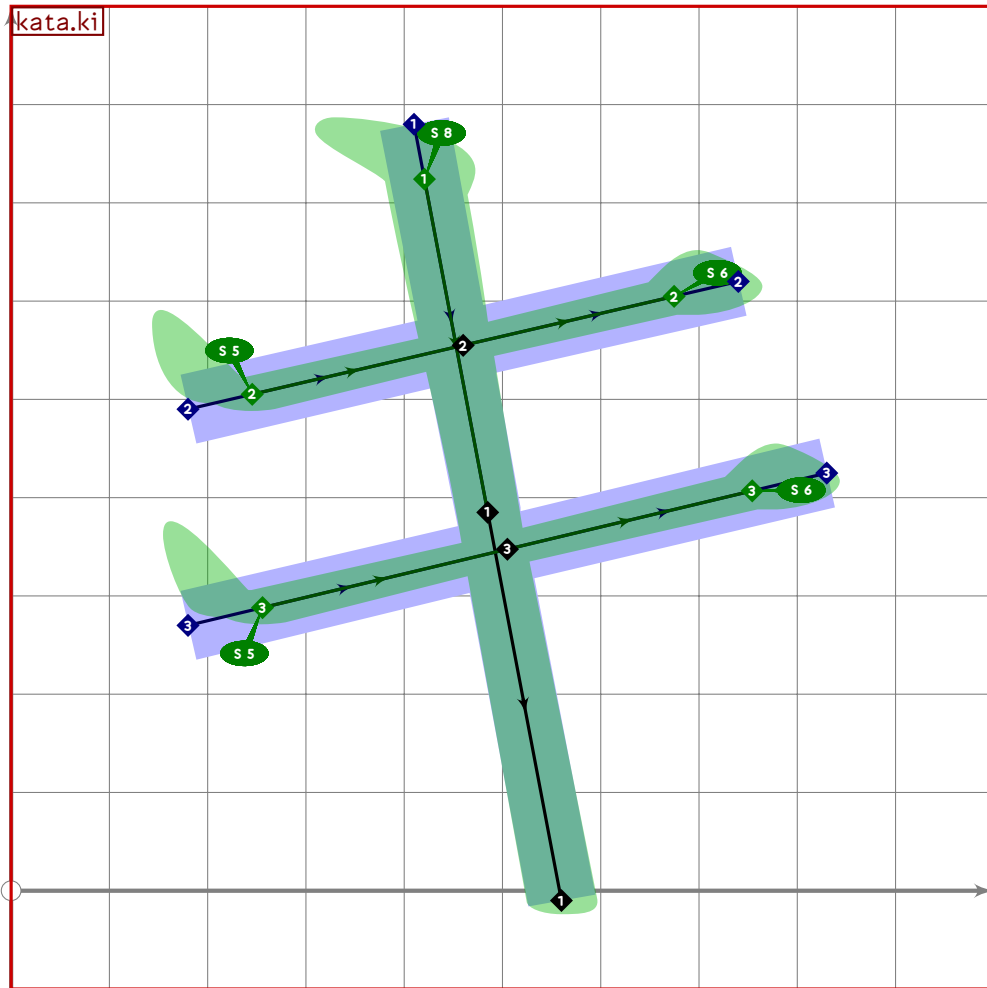
```

```

101
102 vardef tsu_curve.kata.ka =
103   add_proof_box("kata.ka");
104   tsu_curve.kata.ho_centre(sp)((750,550),(700,20));
105   bp[sp]:=(130,530)-bp[sp];
106   bq[sp]:=(1,8,1,8)-bq[sp];
107   bo_tip[sp][1]:=1;
108   bo_tip[sp][2]:=whatever;
109   bo_tip[sp][3]:=0;
110   bo_serif[sp][0]:=5;
111   bo_serif[sp][1]:=4;
112   tsu_curve.kata.no_stroke(sp*1)((460,790),(130,20));
113   sp:=sp*2;
114 enddef;

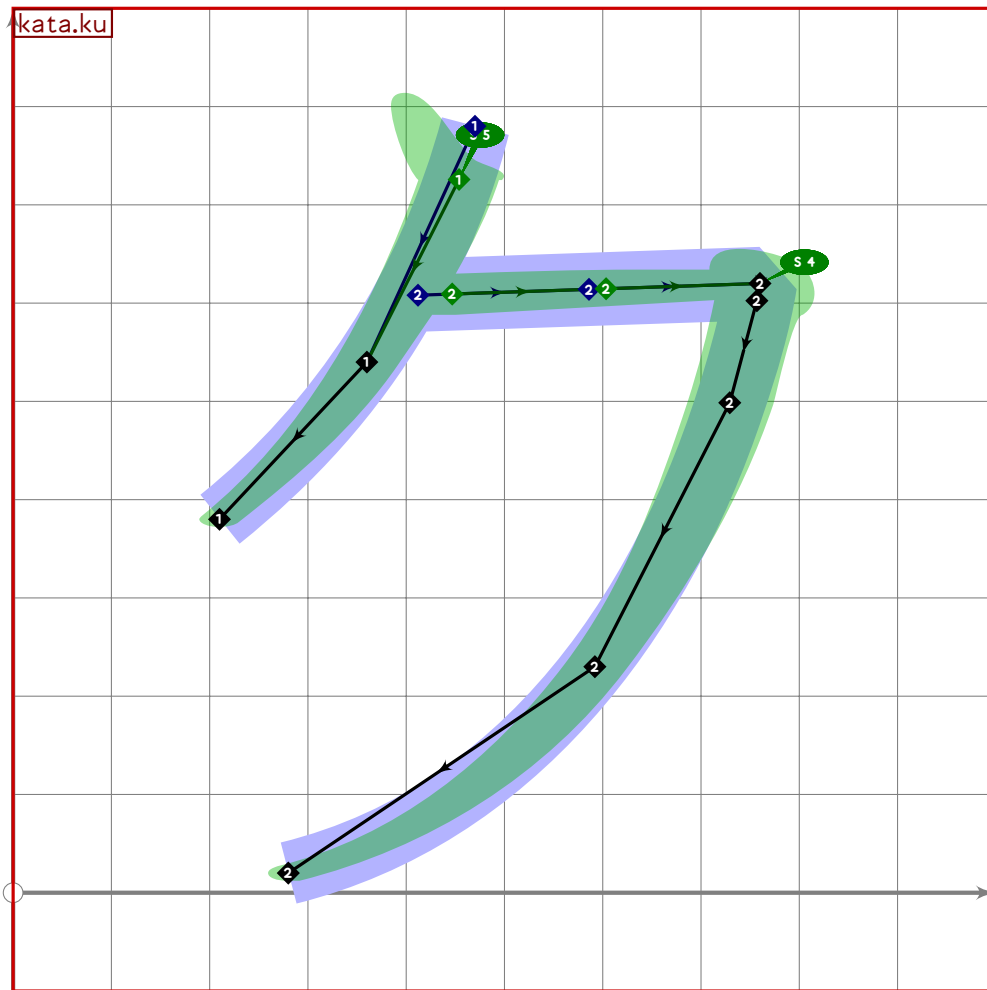
```



```

115
116 vardef tsu_curve.kata.ki =
117   add_proof_box("kata.ki");
118   bp[sp]:=(410,780)-(560,10);
119   bp[sp]:=insert__nodes(bp[sp])(0.5);
120   bq[sp]:=(0.74,2.55)-(1.4,1.4)-(1.5,1.5);
121   bo_serif[sp][0]:=8;
122
123   bp[sp*1]:=(180,490)-(740,620);
124   bp[sp*1]:=insert__nodes(bp[sp*1])(0.5);
125   bq[sp*1]:=(0.6,3)-(1.6,1.6)-(0.6,3);
126   bo_serif[sp*1][0]:=5;
127   bo_serif[sp*1][2]:=6;
128
129   bp[sp*2]:=(180,270)-(830,425);
130   bp[sp*2]:=insert__nodes(bp[sp*2])(0.5);
131   bq[sp*2]:=(0.6,3)-(1.6,1.6)-(0.6,3);
132   bo_serif[sp*2][0]:=5;
133   bo_serif[sp*2][2]:=6;
134   sp:=sp*3;
135 enddef;

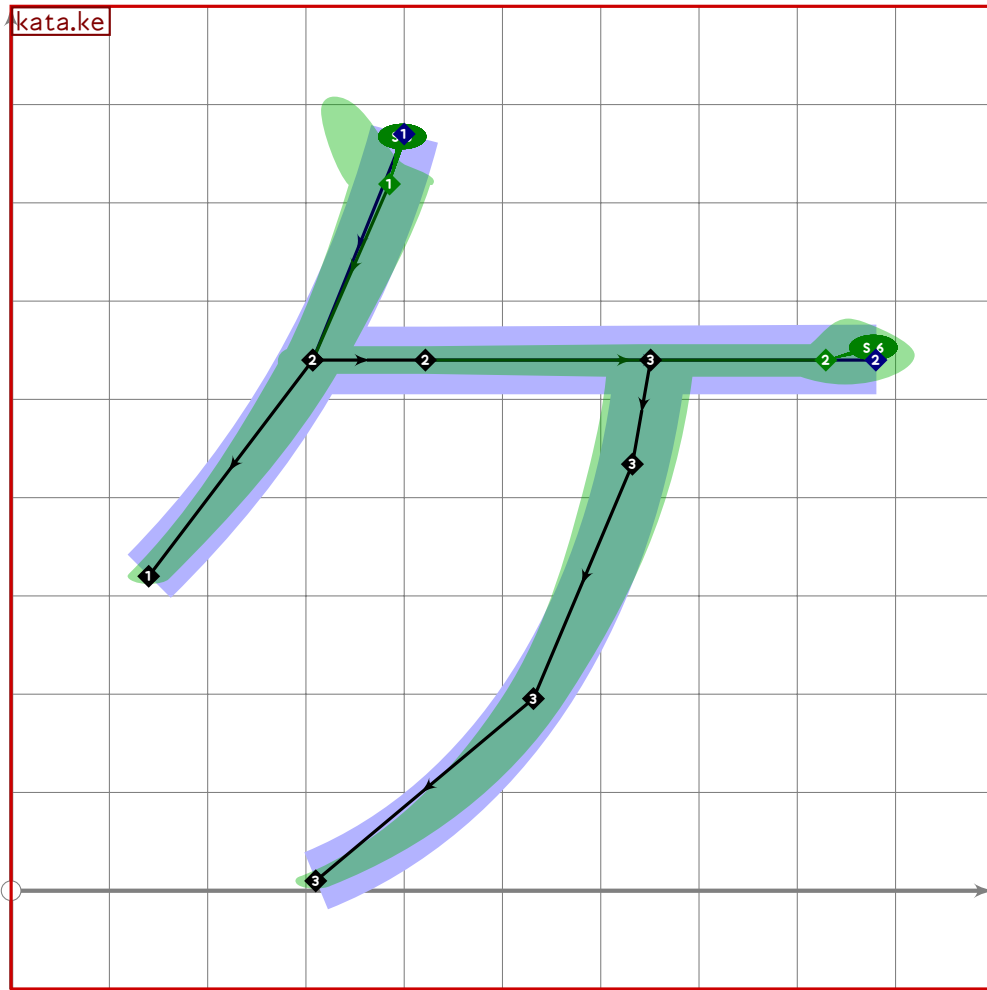
```



```

136
137 vardef tsu_curve.kata.ku =
138   add_proof_box("kata.ku");
139   bp[sp]:= (470,780)..(360,540)..(210,380);
140   bq[sp]:= (0.68,2.7)-(1.4,1.4)-(1.1,1.1);
141   bo_serif[sp][0]:=5;
142   z1=(bp[sp] intersectionpoint ((0,600)-(1000,620)))*10*right;
143   tsu_curve.kata.fu_stroke(sp*1)(z1,(760,620),(280,20));
144   bo_serif[sp*1][0]:=whatever;
145   sp:=sp*2;
146 enddef;

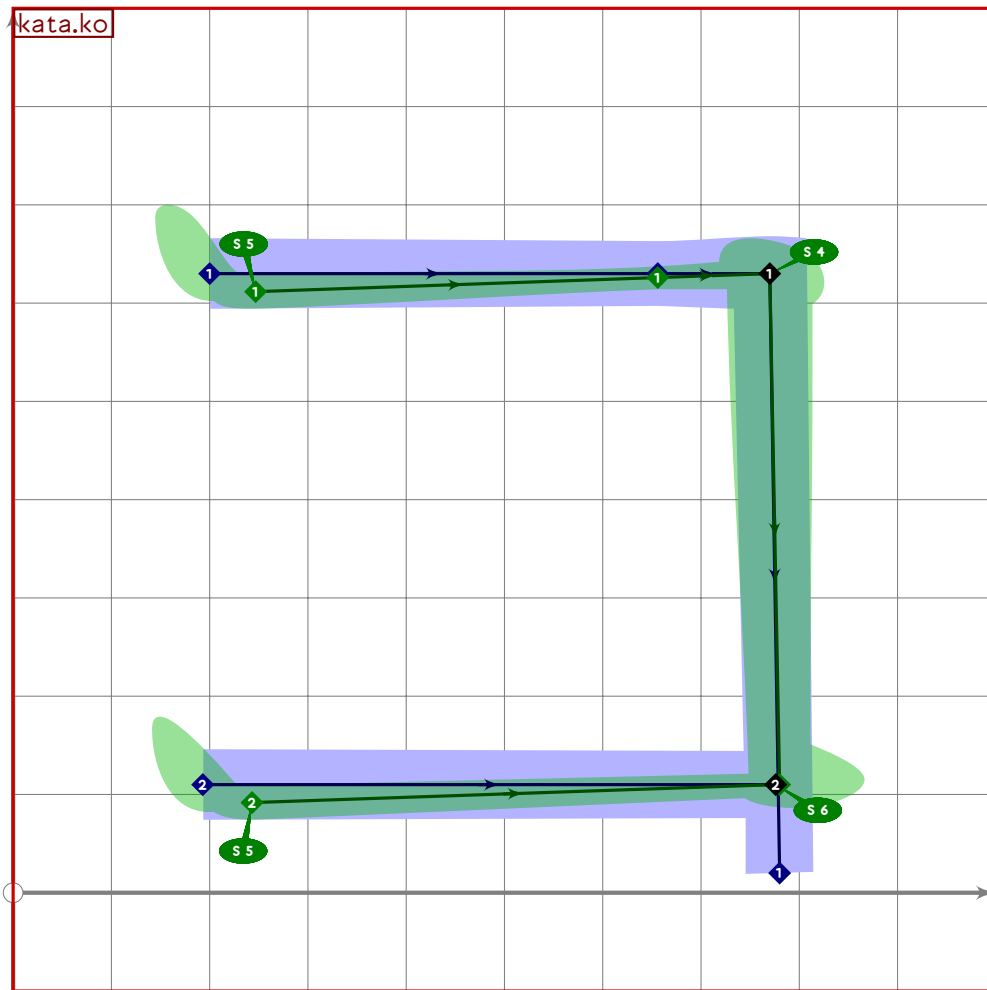
```



```

147
148 vardef tsu_curve.kata.ke =
149   add_proof_box("kata.ke");
150   bp[sp]:=(400,770)..(307,540)..(140,320);
151   bq[sp]:=(0.68,2.7)-(1.4,1.4)-(1.1,1.1);
152   bo_serif[sp][0]:=5;
153   z1=(bp[sp] intersectionpoint ((0,540)-(1000,540)));
154   bp[sp*1]:=z1-(880,540);
155   tsu_curve.kata.no_stroke(sp*2)(point 0.6 of bp[sp*1],[310,10]);
156   bp[sp*1]:=insert_nodes(bp[sp*1])(0.2);
157   bq[sp*1]:=(1.5,1.5)-(1.5,1.5)-(0.75,2.85);
158   bo_serif[sp*1][2]:=6;
159   sp:=sp*3;
160 enddef;

```



```

161
162 vardef tsu_curve.kata.ko =
163   add_proof_box("kata.ko");
164   bp[sp]:=(200,630-20*mincho)-(770,630)-(780,mincho[20,110]);
165   bp[sp]:=insert__nodes(bp[sp])(0.8);
166   bq[sp]:=(0.78,2.83)-(1.3,1.3)-(1.7,1.7)-(1.4,1.4);
167   bo_tip[sp][2]:=1;
168   bo_serif[sp][0]:=5;
169   bo_serif[sp][2]:=4;
170   bp[sp*1]:=(193,110-20*mincho)-(776,110);
171   bq[sp*1]:=(0.78,2.83)-(1.4,1.4);
172   bo_serif[sp*1][0]:=5;
173   bo_serif[sp*1][1]:=6;
174   sp:=sp*2;
175 enddef;
176

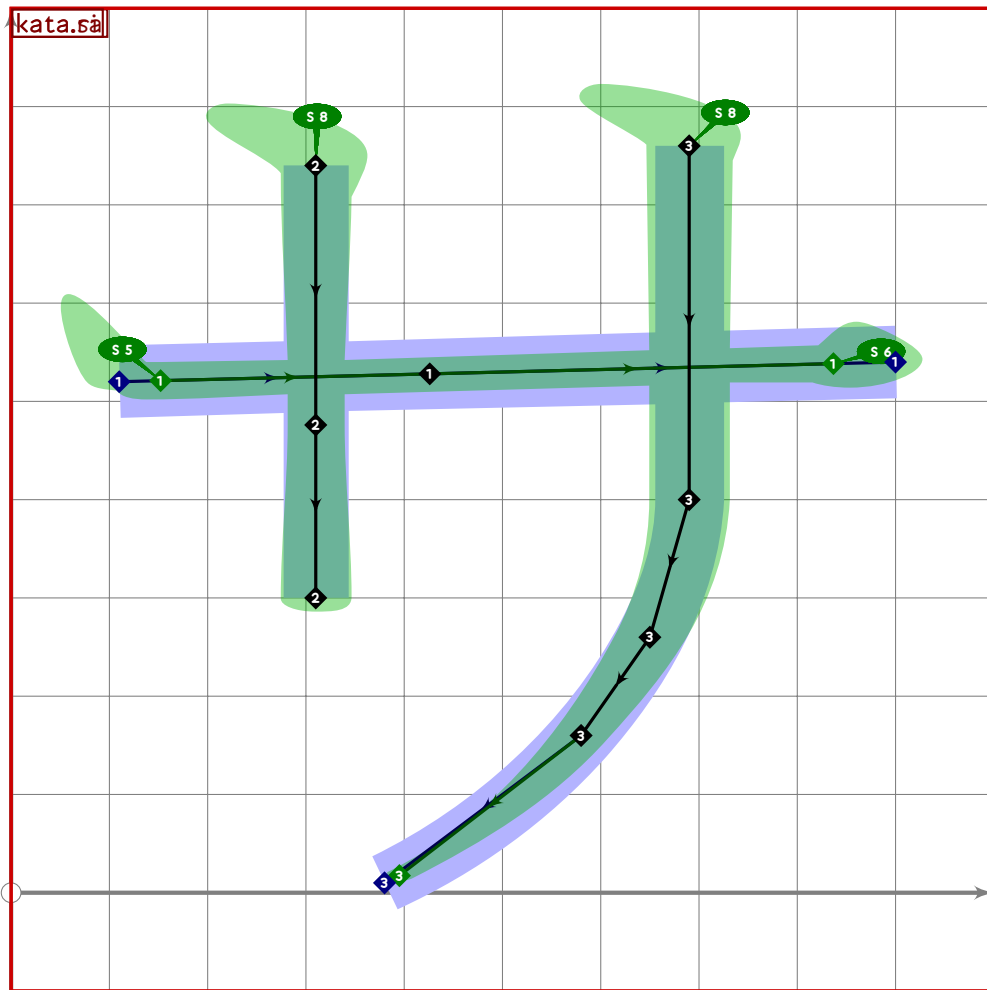
```

Katakana Sashisuseso/Zajizuzezo

```

177 %%%%%%%%% KATAKANA SASHISUSES0/ZAJIZUZEZO

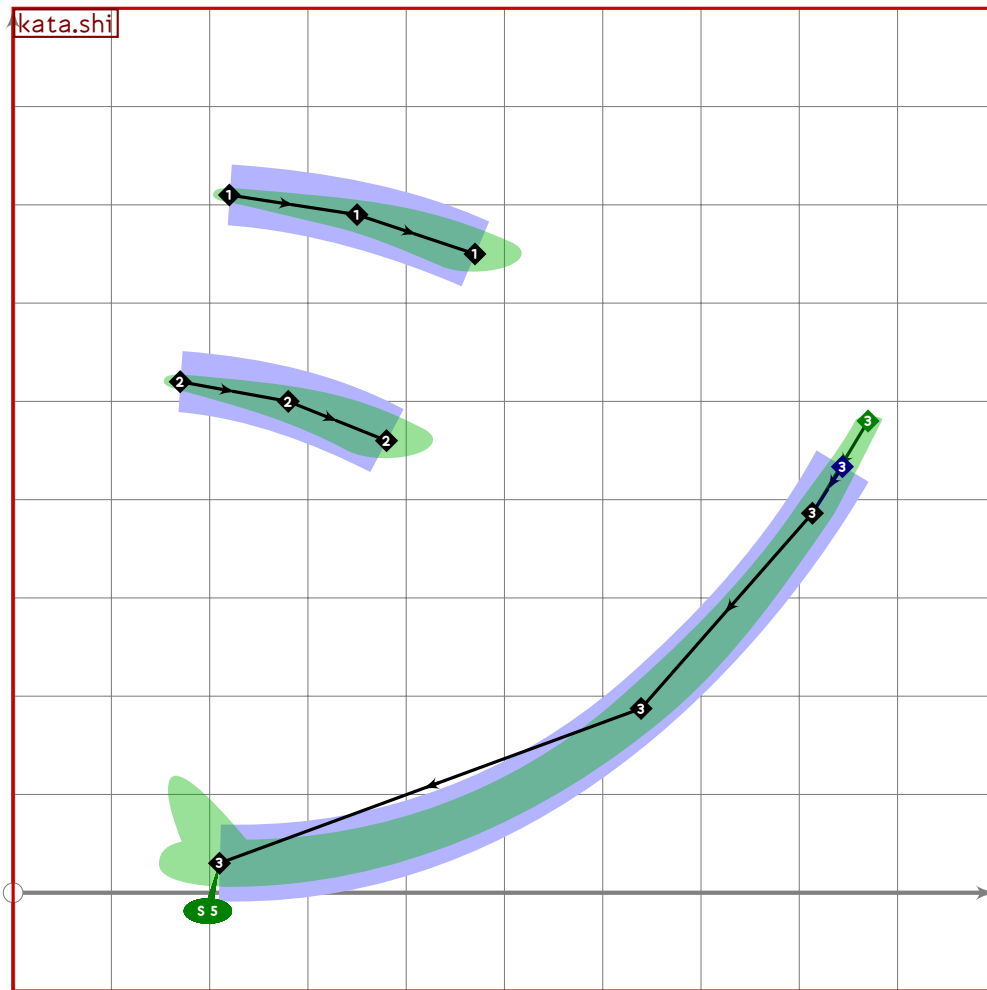
```



```

178
179 vardef tsu_curve.kata.sa =
180   add_proof_box("kata.sa");
181   bp[sp]:=(110,520)-(900,540);
182   bp[sp]:=insert_nodes(bp[sp])(0.4);
183   bq[sp]:=(0.7,3)-(1.7,1.7)-(0.7,3);
184   bo_serif[sp][0]:=5;
185   bo_serif[sp][2]:=6;
186   sp:=sp*1;
187   tsu_curve.kata.ri;
188 enddef;

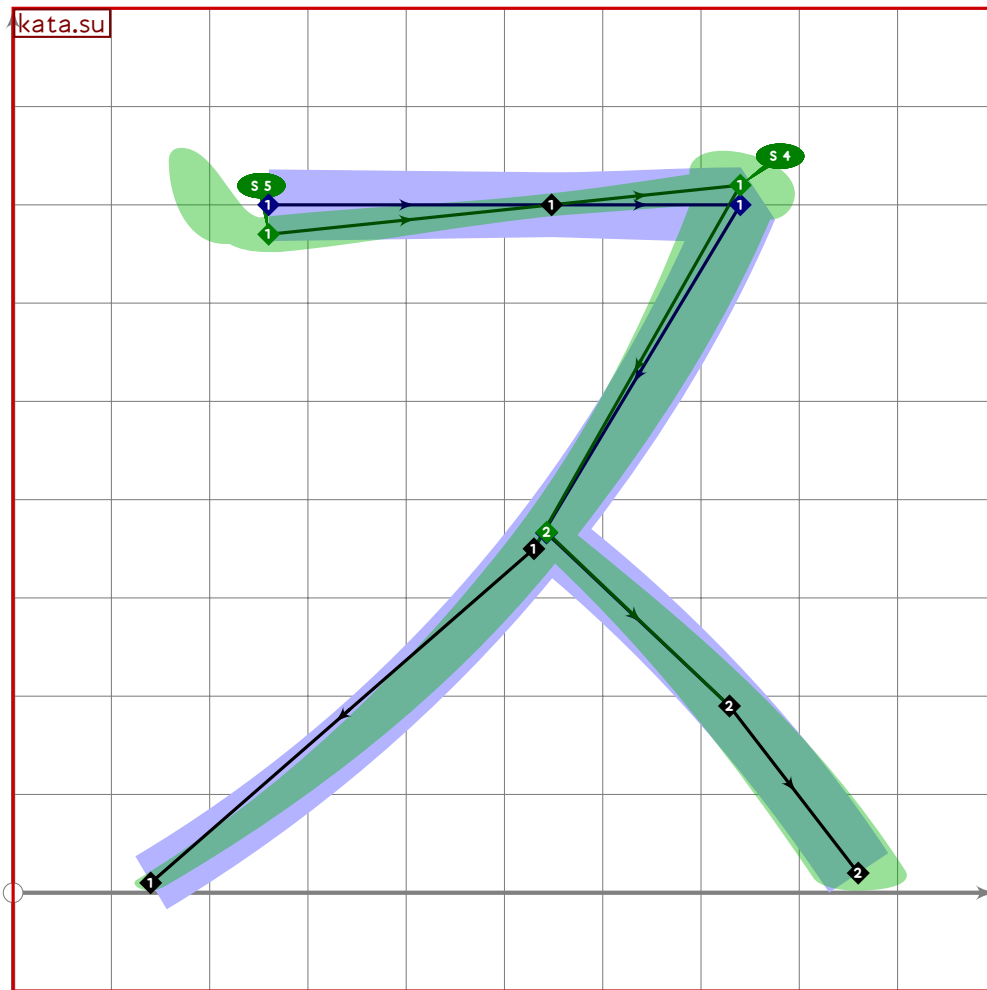
```



```

189
190 vardef tsu_curve.kata.shi =
191   add_proof_box("kata.shi");
192   bp[sp]:=(220,710)..(350,690)..(470,650);
193   bq[sp]:=(1,1)..(1.6,1.6)..(1.8,1.8);
194   bp[sp*1]:=(170,520)..(280,500)..(380,460);
195   bq[sp*1]:=(1,1)..(1.6,1.6)..(1.8,1.8);
196   tsu_curve.kata.no_stroke(sp*2)((870,480),(210,30));
197   bq[sp*2]:=(0.9,0.9)-(1.1,1.1)-(1.4,1.4)-(2.2,2.2);
198   bo_serif[sp*2][length bp[sp*2]]:=5;
199   sp:=sp*3;
200 enddef;

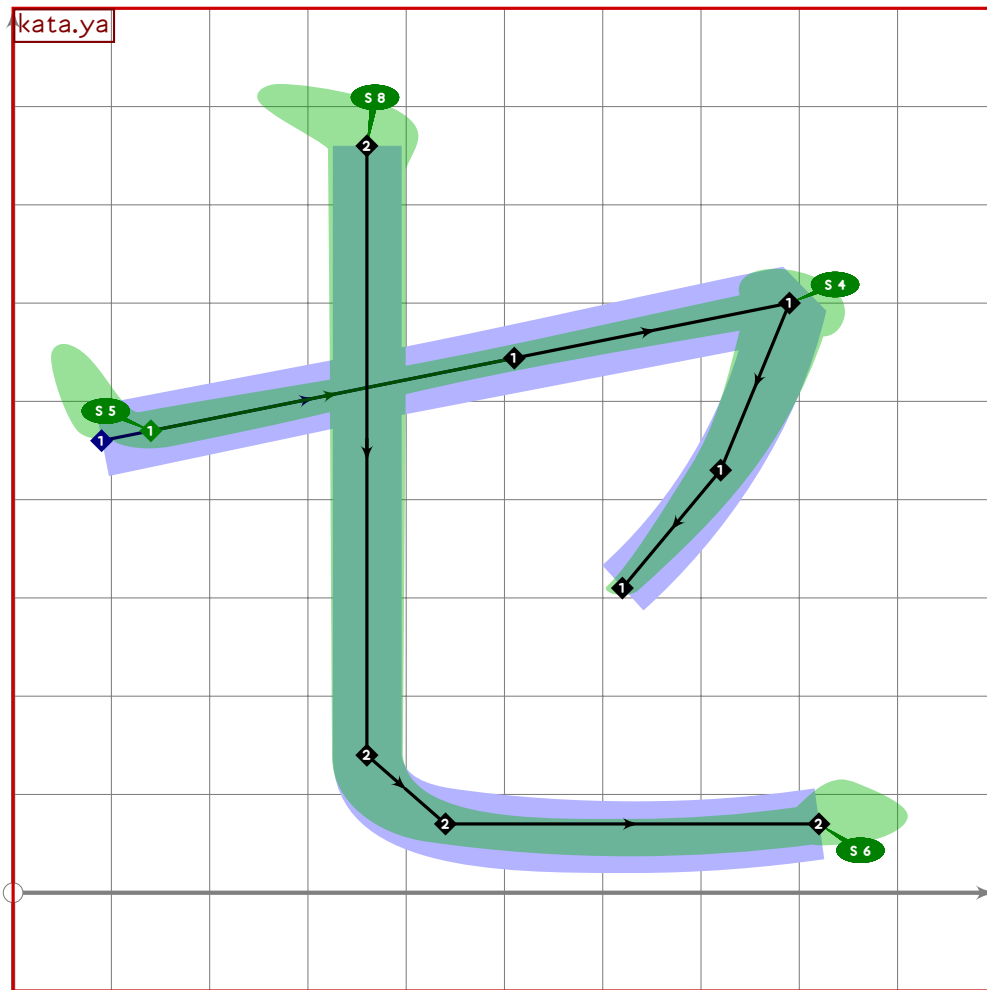
```



```

201
202 vardef tsu_curve.kata.su =
203   add_proof_box("kata.su");
204   bp[sp]:=(260,700-30*mincho)-(740,700+20*mincho)..(530,350)..(140,10);
205   bp[sp]:=insert__nodes(bp[sp])(0.6);
206   bq[sp]:=(1.8,1.8)-(1.3,1.3)-(1.7,1.7)-(1.4,1.4)-(1,1);
207   bo_tip[sp][2]:=0;
208   bo_serif[sp][0]:=5;
209   bo_serif[sp][2]:=4;
210   bp[sp*1]:=(point 2.95 of bp[sp])..(729,190)..(860,20);
211   bq[sp*1]:=(1.2,1.2)-(1.6,1.6)-(1.8,1.8);
212   sp:=sp*2;
213 enddef;

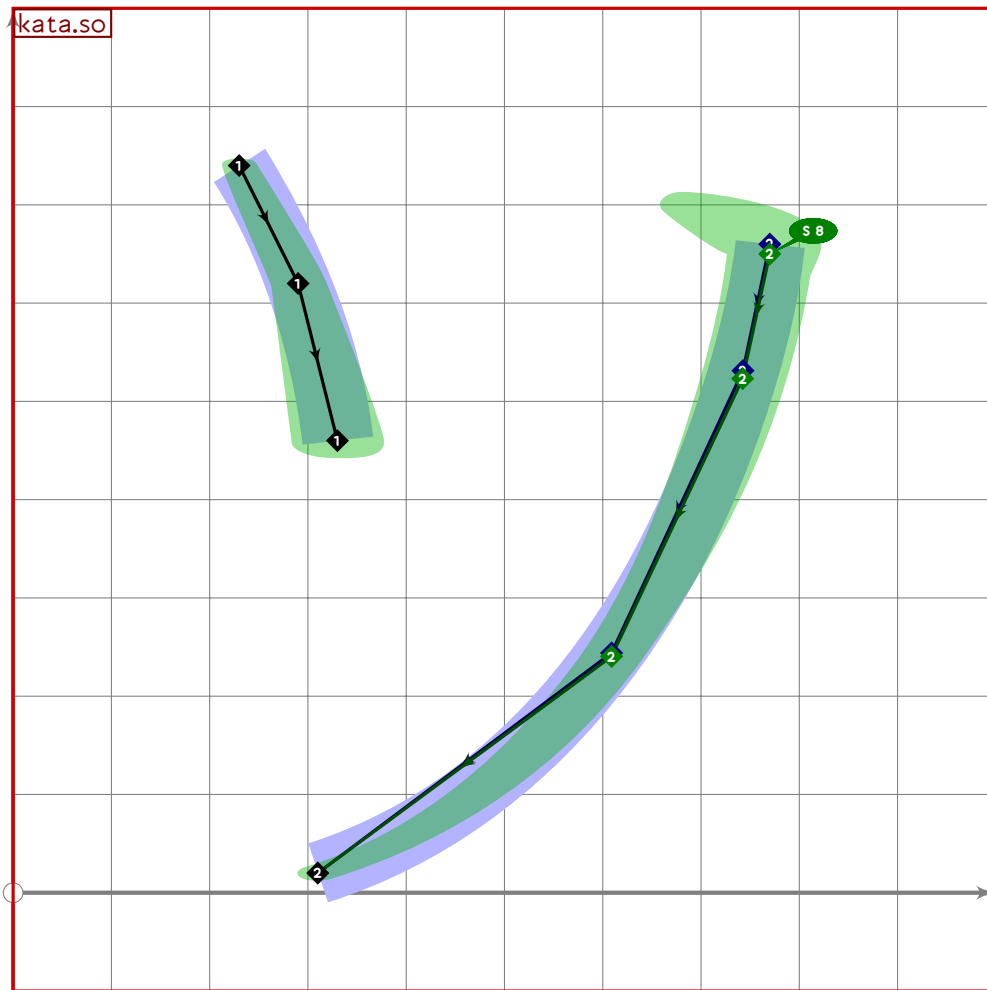
```

```

214
215 vardef tsu_curve.kata.se =
216   add_proof_box("kata.se");
217   tsu_curve.kata.ya;
218   sp:=sp-2;
219   bp[sp]:=bp[sp] shifted (30*left);
220   bp[sp*1]:=(360,760)-(360,140){dir 274}..(440,70)..tension 2.1..(820,70);
221   bq[sp*1]:=(1.6,1.6)-(1.5,1.5)-(1.9,1.9)-(1.8,1.8);
222   bo_serif[sp*1][0]:=8;
223   bo_serif[sp*1][3]:=6;
224   sp:=sp+2;
225 enddef;

```



```

226
227 vardef tsu_curve.kata.so =
228   add_proof_box("kata.so");
229   bp[sp]:=(230,740)..(290,620)..(330,460);
230   bq[sp]:=(1,1)..(1.3,1.3)..(1.8,1.8);
231   tsu_curve.kata.no_stroke(sp*1)((770,660-10*mincho),(310,20));
232   bo_serif[sp*1][0]:=8;
233   sp:=sp*2;
234 enddef;
235

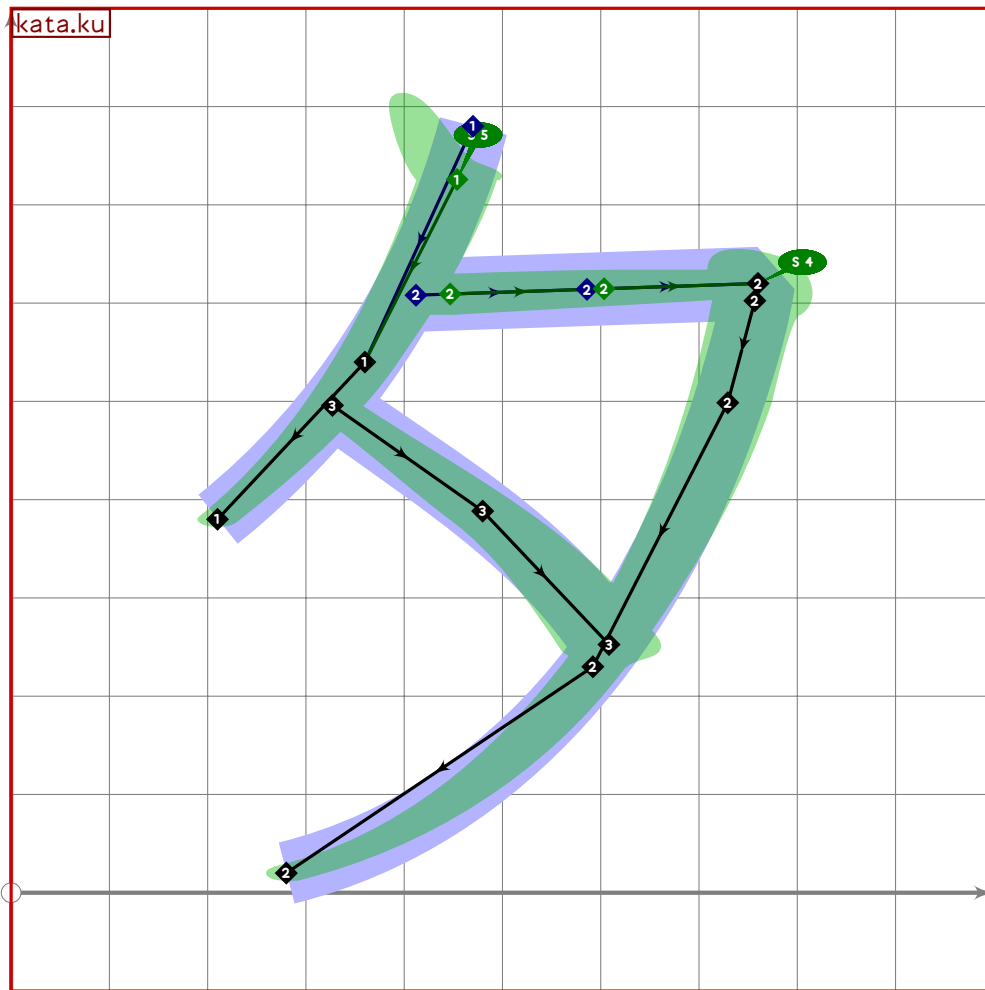
```

Katakana Tachitsuteto/Dajizudedo

```

236 %%%%%%%%% KATAKANA TACHITSUTETO/DAJIZUEDO

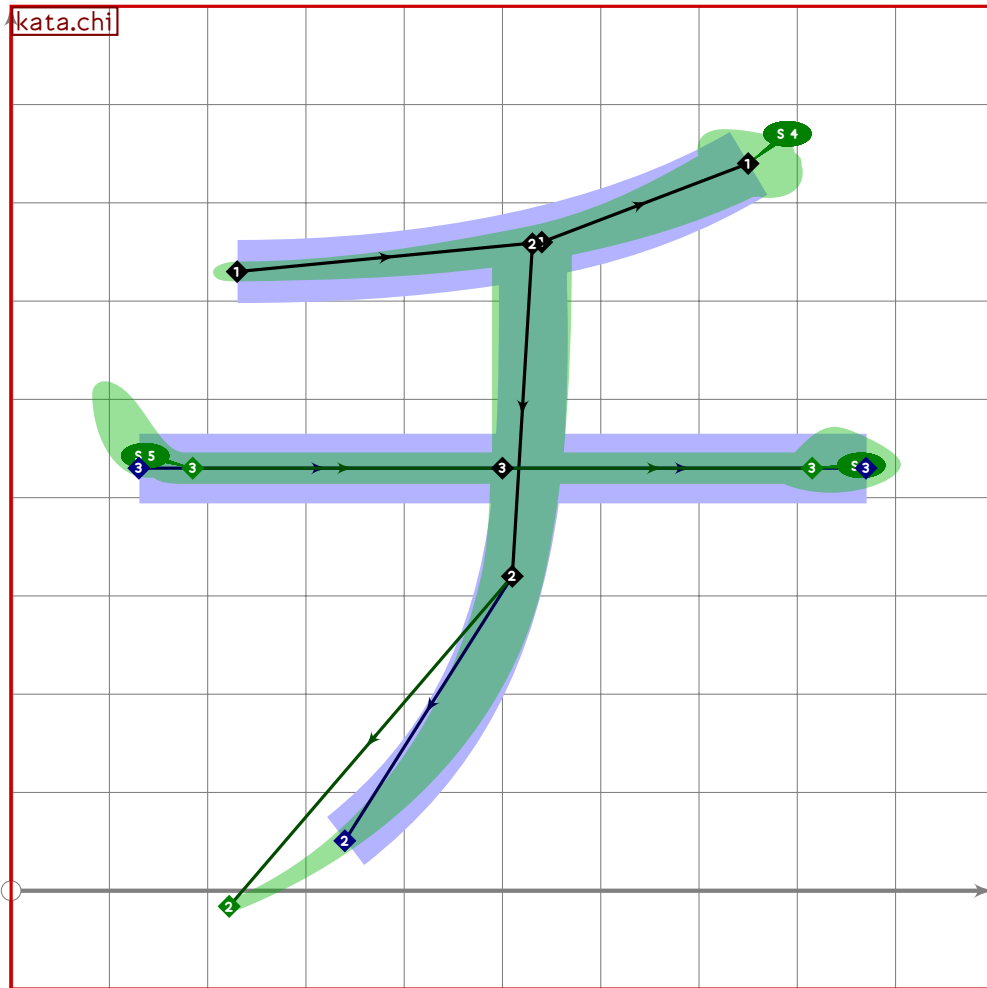
```



```

237
238 vardef tsu_curve.kata.ta =
239   add_proof_box("kata.ta");
240   tsu_curve.kata.ku;
241   numeric x[],y[];
242   z1=point 1.25 of bp[sp-2];
243   z3=point 4.9 of bp[sp-1];
244   z2=(0.5[z1,z3])+0.05*((z3-z1) rotated 90);
245   bp[sp]:=z1..tension 2..z2..z3;
246   bq[sp]:=(1.2,1.2)-(1.6,1.6)-(1.9,1.9);
247   sp:=sp+1;
248 enddef;

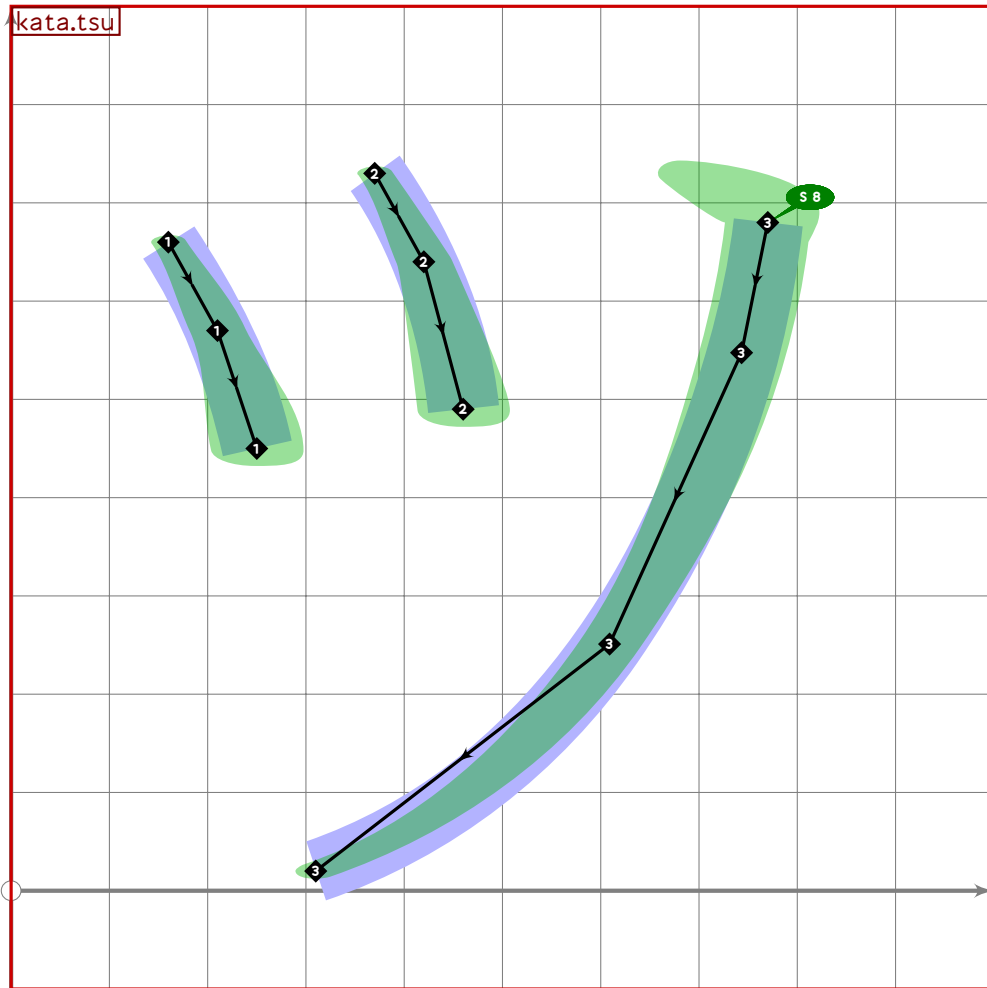
```



```

249
250 vardef tsu_curve.kata.chi =
251   add_proof_box("kata.chi");
252   bp[sp]:=(230,630)..tension 1.3..(540,660)..(750,740);
253   bq[sp]:=(1.2,1.2)-(1.7,1.7)-(2,2);
254   bo_serif[sp][2]:=4;
255   tsu_curve.kata.na_centre(sp*1);
256   bp[sp*1]:=subpath (xpart (bp[sp*1] intersectiontimes bp[sp]),infinity) of bp[sp*1];
257   bp[sp*2]:=(130,430)-(870,430);
258   bp[sp*2]:=insert_nodes(bp[sp*2])(0.5);
259   bq[sp*2]:=(0.7,2.7)-(1.6,1.6)-(0.7,2.7);
260   bo_serif[sp*2][0]:=5;
261   bo_serif[sp*2][2]:=6;
262   sp:=sp*3;
263 enddef;

```



```

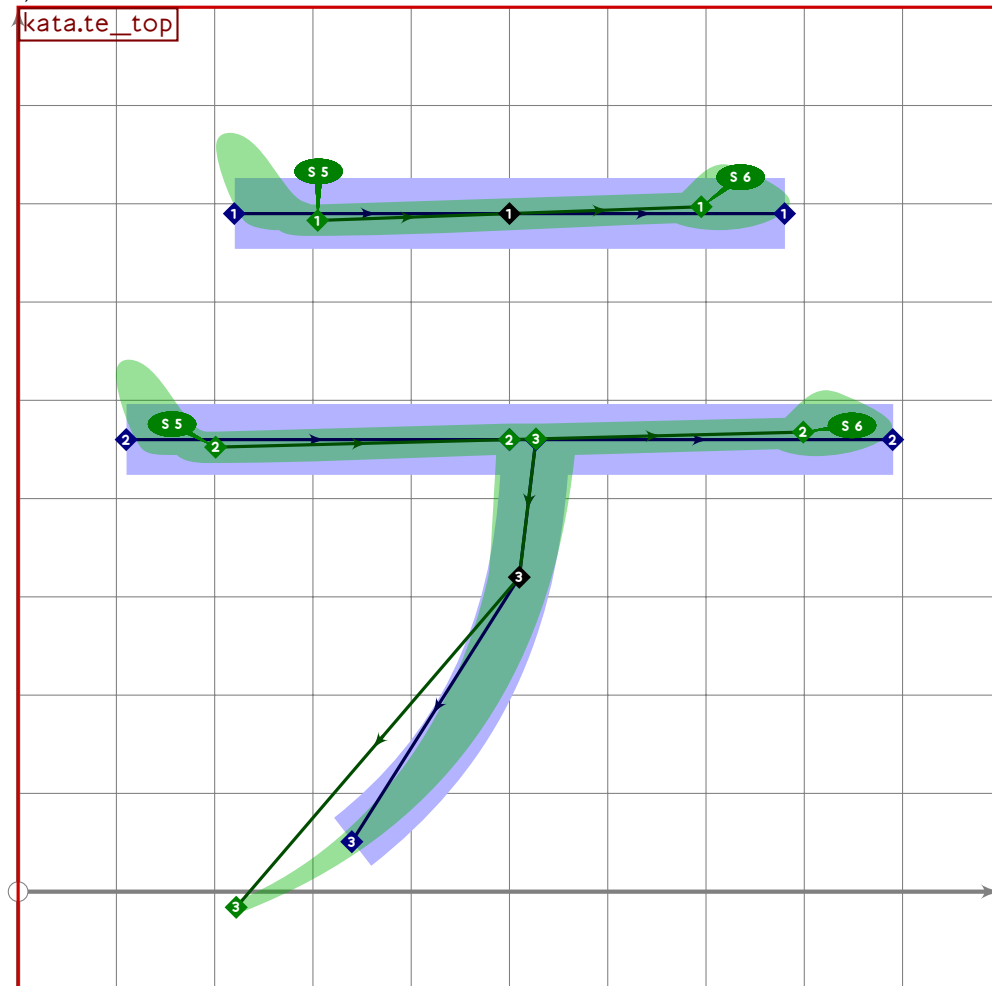
264
265 vardef tsu_curve.kata.tsu =
266   add_proof_box("kata.tsu");
267   bp[sp]:=(160,660)..(210,570)..(250,450);
268   bq[sp]:=(1,1)..(1.3,1.3)..(1.8,1.8);
269   bp[sp*1]:=(370,730)..(420,640)..(460,490);
270   bq[sp*1]:=(1,1)..(1.3,1.3)..(1.8,1.8);
271   tsu_curve.kata.no_stroke(sp*2)((770,680),(310,20));
272   bo_serif[sp*2][0]:=8;
273   sp:=sp*3;
274 enddef;
275
276 vardef tsu_curve.kata.te_top =
277   add_proof_box("kata.te_top");
278   bp[sp]:=(220,690-10*mincho)-(780,690+10*mincho);
279   bp[sp]:=insert_nodes(bp[sp])(0.5);
280   bq[sp]:=(0.5,2.9)-(1.6,1.6)-(0.5,2.9);
281   bo_serif[sp][0]:=5;
282   bo_serif[sp][2]:=6;
283   bp[sp*1]:=(110,460-10*mincho)-(890,460+10*mincho);
284   bp[sp*1]:=insert_nodes(bp[sp*1])(0.5);

```

```

285 bq[sp*1]:= (0.6,2.8)-(1.6,1.6)-(0.6,2.8);
286 bo_serif[sp*1][0]:=5;
287 bo_serif[sp*1][2]:=6;
288 sp:=sp*2;
289 enddef;

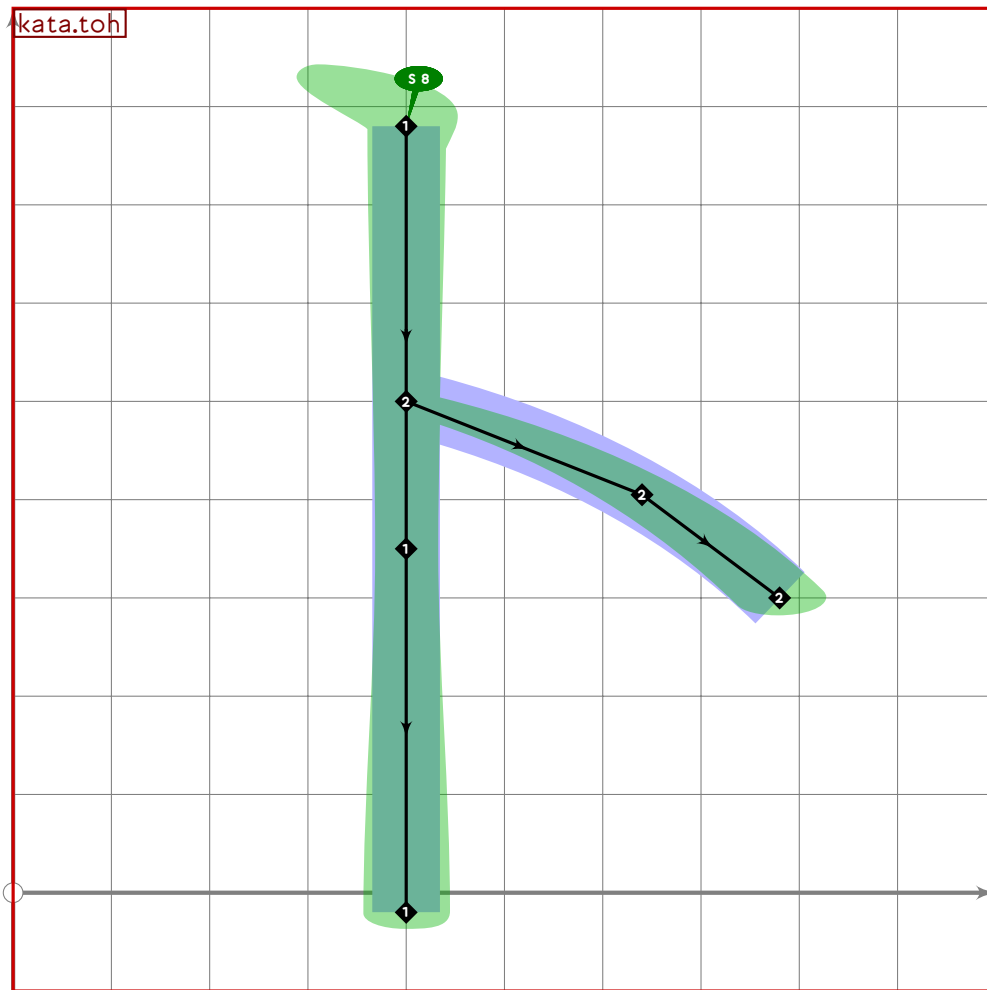
```



```

290
291 vardef tsu_curve.kata.te =
292   add_proof_box("kata.te");
293   tsu_curve.kata.te_top;
294   tsu_curve.kata.na_centre(sp);
295   bp[sp]:=subpath (xpart (bp[sp] intersectiontimes bp[sp-1]),infinity) of bp[sp];
296   sp:=sp*1;
297 enddef;

```



```

298
299 vardef tsu_curve.kata.toh =
300   add_proof_box("kata.toh");
301   bp[sp]:=(400,780)-(400,350)-(400,-20);
302   bq[sp]:=(1.6,1.6)-(1.4,1.4)-(1.7,1.7);
303   bo_serif[sp][0]:=8;
304   bp[sp*1]:=(400,500)..tension 1.1..(640,405)..(780,300);
305   bq[sp*1]:=(1.3,1.3)-(1.6,1.6)-(1.8,1.8);
306   sp:=sp*2;
307 enddef;
308

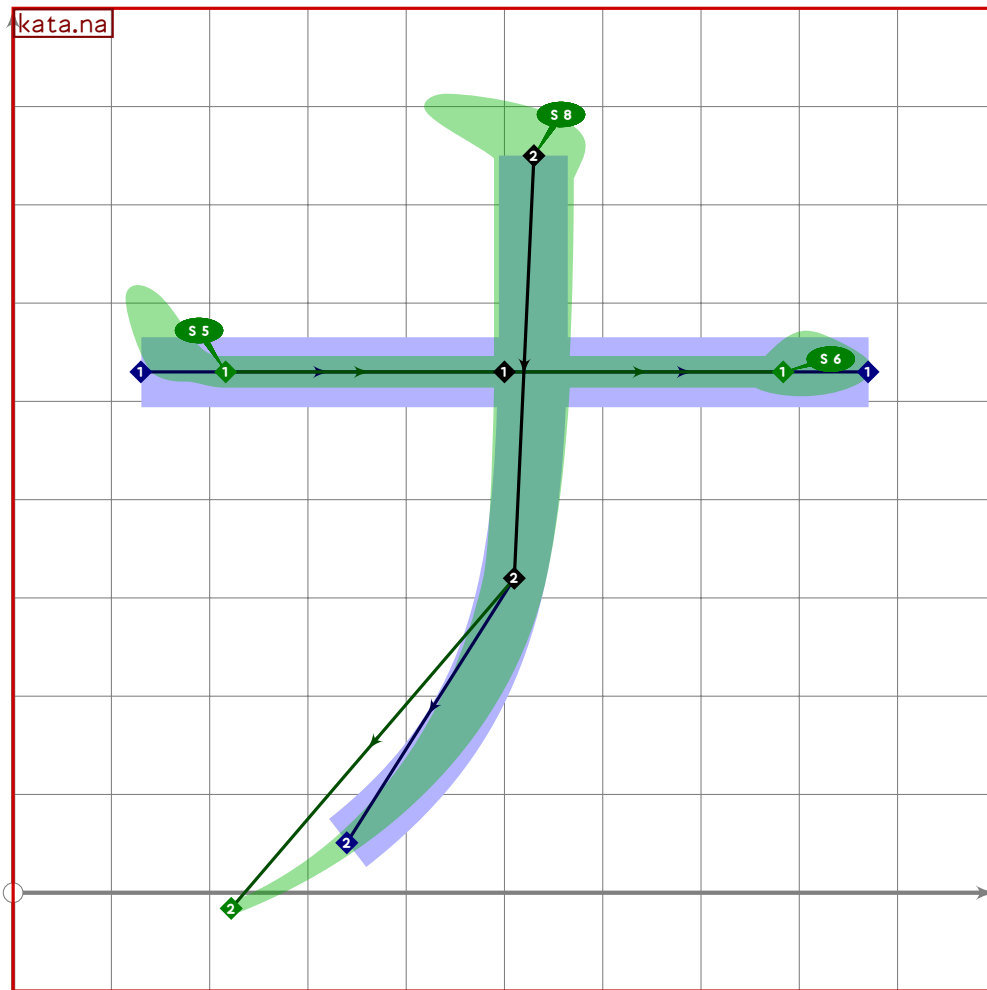
```

Katakana Naninuneno

```

309 %%% KATAKANA NANINUNENO
310
311 vardef tsu_curve.kata.na_centre(expr a) =
312   bp[a]:=(530,750){down}..tension 1.2..(510,320)..(180,-30);
313   bq[a]:=(1.6,1.6)-(1.4,1.4)-(0.78,0.78);
314 enddef;

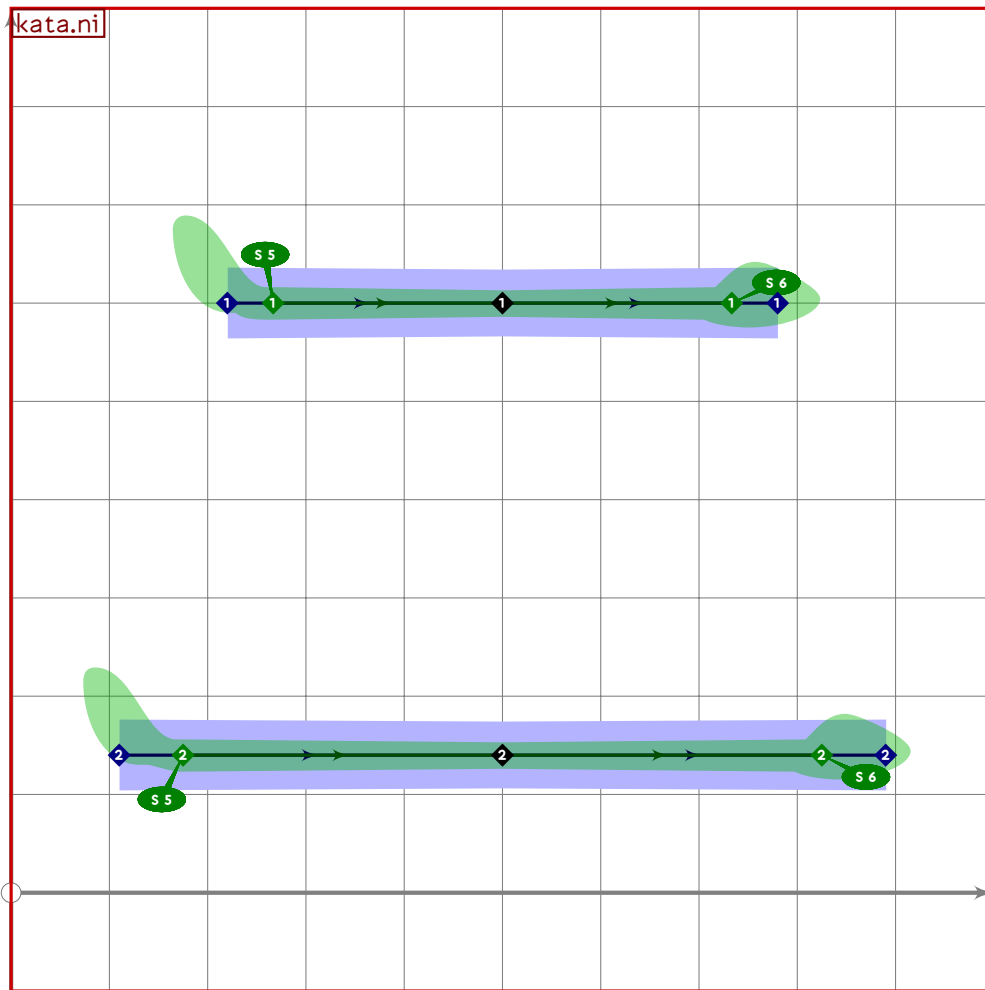
```



```

315
316 vardef tsu_curve.kata.na =
317   add_proof_box("kata.na");
318   bp[sp]:=(130,530)-(870,530);
319   bp[sp]:=insert__nodes(bp[sp])(0.5);
320   bq[sp]:=(0.6,2.8)-(1.6,1.6)-(0.6,2.8);
321   bo_serif[sp][0]:=5;
322   bo_serif[sp][2]:=6;
323   tsu_curve.kata.na__centre(sp*1);
324   bo_serif[sp*1][0]:=8;
325   sp:=sp*2;
326 enddef;

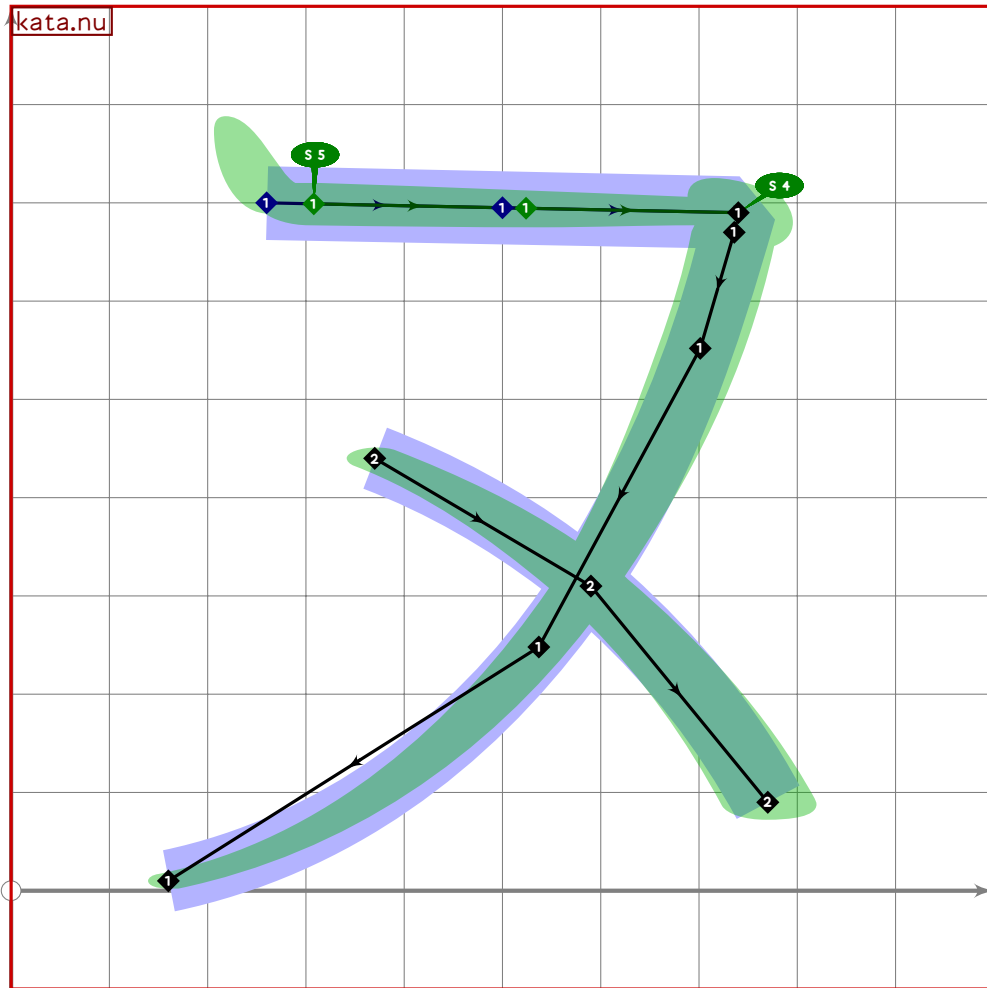
```

```

327
328 vardef tsu_curve.kata.ni =
329   add_proof_box("kata.ni");
330   bp[sp]:=(220,600)-(500,600)-(780,600);
331   bq[sp]:=(0.7,2.7)-(1.5,1.5)-(0.7,2.9);
332   bo_serif[sp][0]:=5;
333   bo_serif[sp][2]:=6;
334   bp[sp*1]:=(110,140)-(500,140)-(890,140);
335   bq[sp*1]:=(0.7,2.7)-(1.5,1.5)-(0.7,2.9);
336   bo_serif[sp*1][0]:=5;
337   bo_serif[sp*1][2]:=6;
338   sp:=sp*2;
339 enddef;

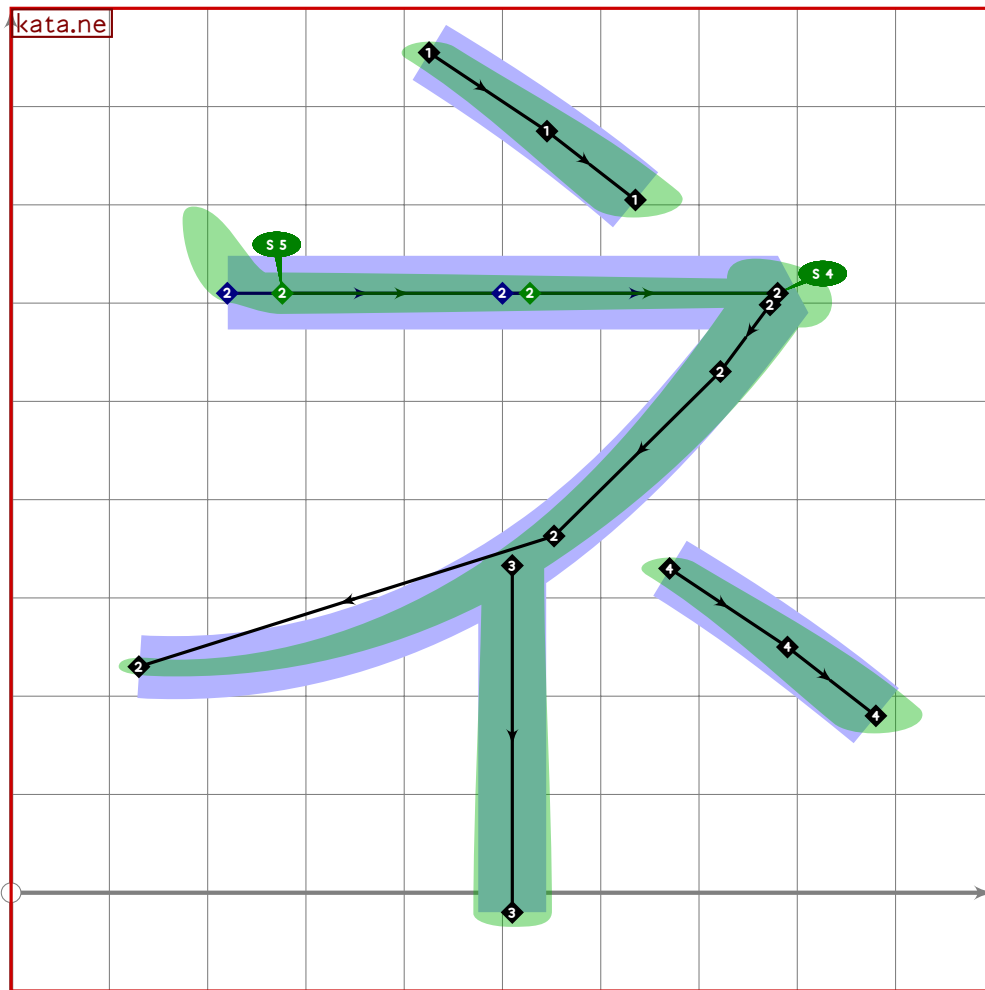
```



```

340
341 vardef tsu_curve.kata.nu =
342   add_proof_box("kata.nu");
343   tsu_curve.kata.fu_stroke(sp)((260,700),(740,690),(160,10));
344   bp[sp*1]:=(370,440)..(590,310)..(770,90);
345   bq[sp*1]:=(1.3,1.3)-(1.6,1.6)-(1.8,1.8);
346   sp:=sp*2;
347 enddef;

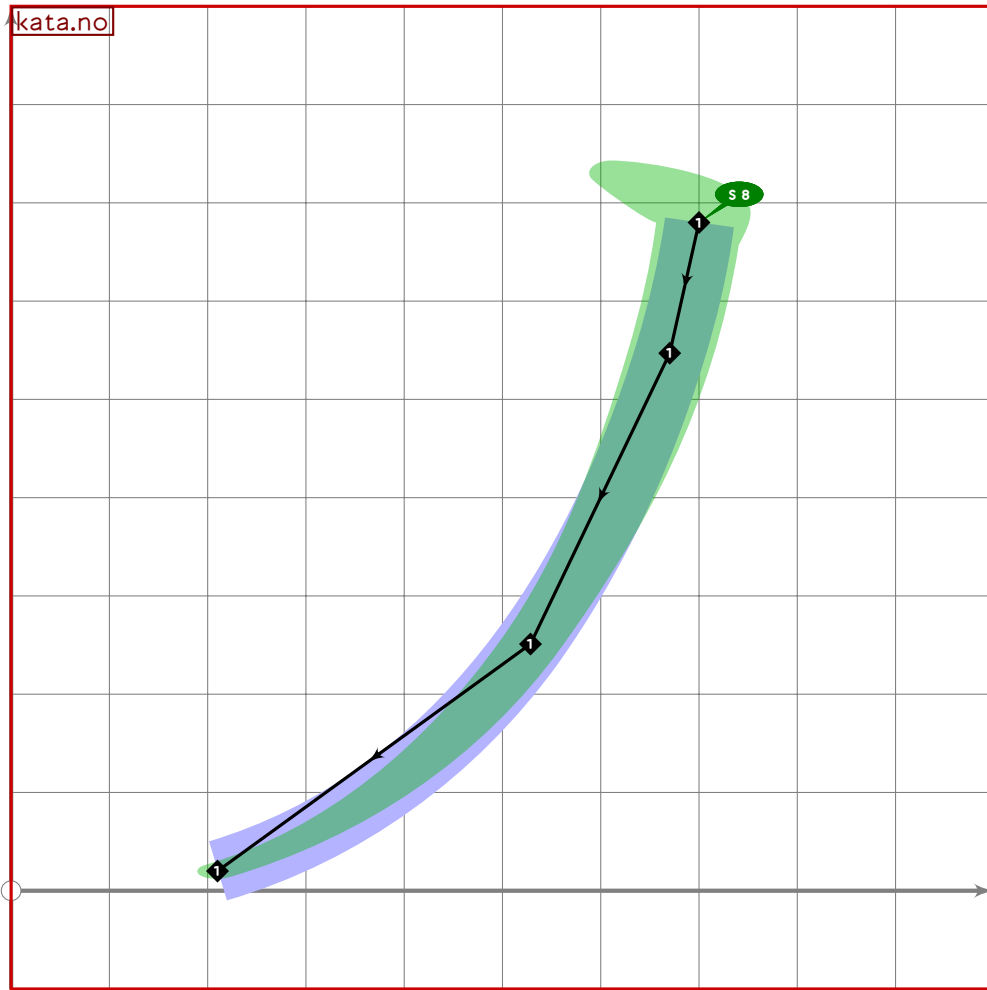
```



```

348
349 vardef tsu_curve.kata.ne =
350   add_proof_box("kata.ne");
351   tsu_curve.kata.fu_stroke(sp*1)((220,610),(780,610),(130,230));
352   bp[sp*2]:=((510,0)-(510,1000) intersectionpoint reverse bp[sp*1])-(510,-20);
353   bq[sp*2]:=(1.4,1.4)-(1.6,1.6);
354   bp[sp*3]:=(670,330)..(790,250)..(880,180);
355   bq[sp*3]:=(1.3,1.3)-(1.6,1.6)-(1.8,1.8);
356   bp[sp]:=bp[sp*3] shifted ((510,800)-point 0.7 of bp[sp*3]);
357   bq[sp]:=bq[sp*3];
358   sp:=sp*4;
359 enddef;
360
361 vardef tsu_curve.kata.no_stroke(expr a,ur,ll) =
362   bp[a]:=ur..tension 1.1..
363   (0.65[xpart ll,xpart ur],0.35[ypart ll,ypart ur])..{curl 1.2}ll;
364   bp[a]:=insert_nodes(bp[a])(0.3);
365   bq[a]:=(1.7,1.7)-(1.7,1.7)-(1.4,1.4)-(1.1,1.1);
366 enddef;

```



```

367
368 vardef tsu_curve.kata.no =
369   add_proof_box("kata.no");
370   tsu_curve.kata.no_stroke(sp)((700,680),(210,20));
371   bo_serif[sp][0]:=8;
372   sp:=sp*1;
373 enddef;
374

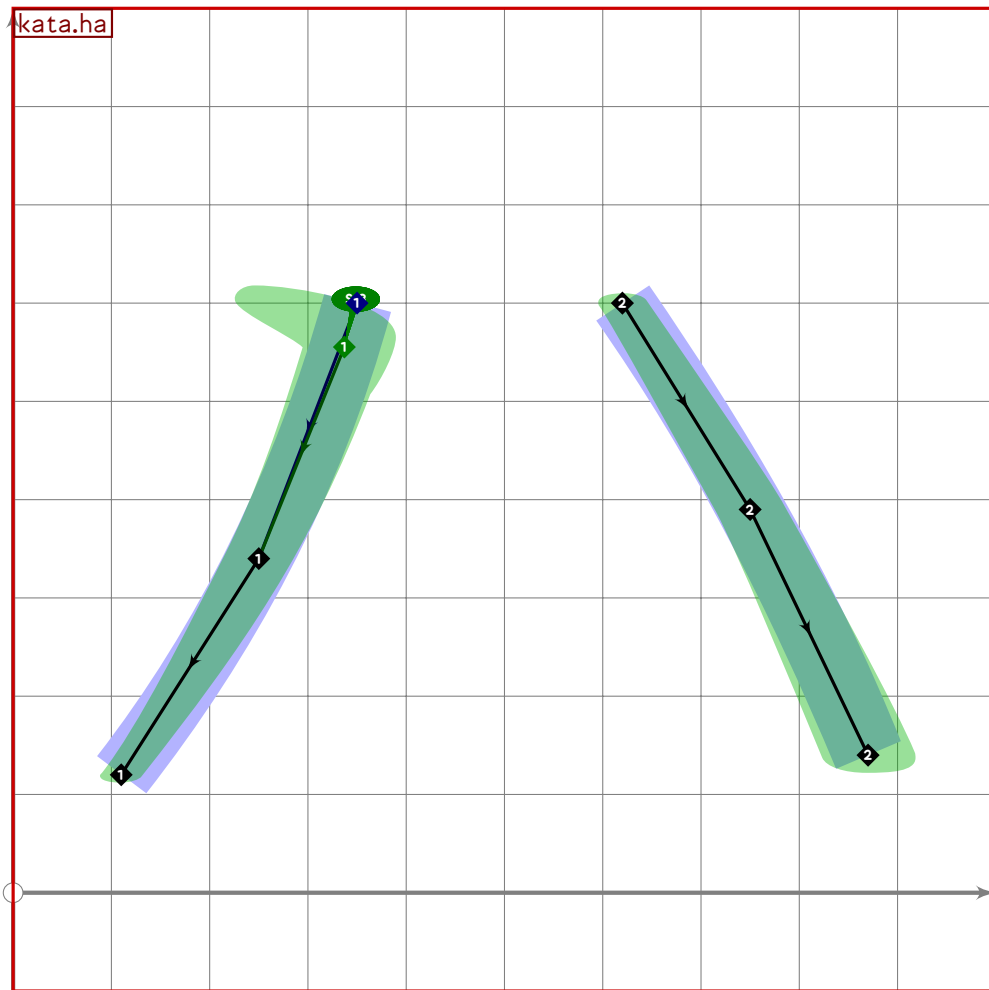
```

Katakana Hahifuheho/Babibubebo/Papipupepo

```

375 %%%%%%%%% KATAKANA HAHIFUHEHO/BABIBUBEBO/PAPIPUPEPO

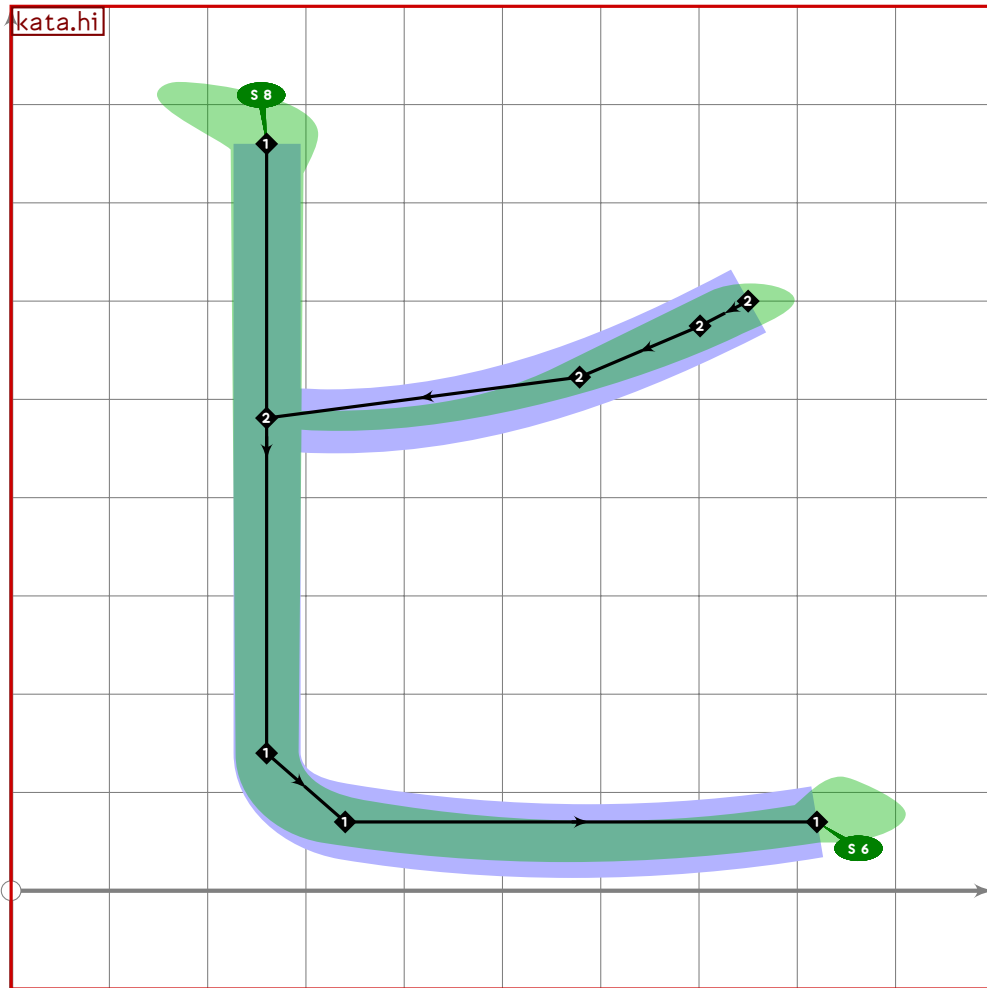
```



```

376
377 vardef tsu_curve.kata.ha =
378   add_proof_box("kata.ha");
379   bp[sp]:=(350,600)..(250,340)..(110,120);
380   bq[sp]:=(0.7,2.7)-(1.5,1.5)-(1.1,1.1);
381   bo_serif[sp][0]:=8;
382   bp[sp*1]:=(620,600)..(750,390)..(870,140);
383   bq[sp*1]:=(1.2,1.2)-(1.5,1.5)-(1.8,1.8);
384   sp:=sp*2;
385 enddef;

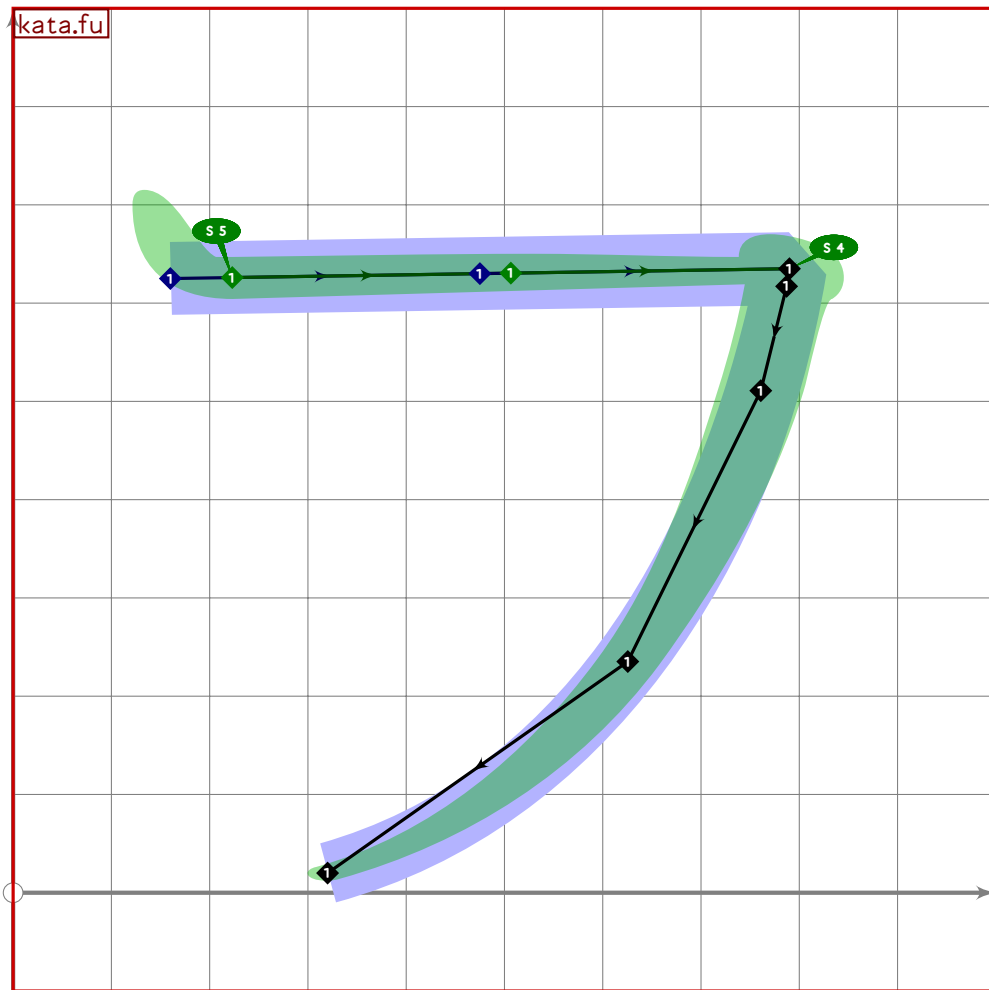
```



```

386
387 vardef tsu_curve.kata.hi =
388   add_proof_box("kata.hi");
389   bp[sp]:=(260,760)-(260,140){dir 274}..(340,70)..tension 2.1..(820,70);
390   bq[sp]:=(0.84,2.18)-(1.4,1.4)-(2.1,2.1)-(1.9,1.9);
391   bo_serif[sp][0]:=8;
392   bo_serif[sp][3]:=6;
393   tsu_curve.kata.no_stroke(sp*1)((750,600),point 0.45 of bp[sp]);
394   bq[sp*1]:=bq[sp*1] shifted (0.1,0.1);
395   sp:=sp*2;
396 enddef;
397
398 vardef tsu_curve.kata.fu_stroke(expr a,ul,ur,ll) =
399   tsu_curve.kata.no_stroke(a)(ur,ll);
400   bp[a]:=((mincho*0.1)[ul,ur])-bp[a];
401   bp[a]:=insert_nodes(bp[a])(0.5,1.15);
402   bq[a]:=(2,2)-(1.9,1.9)-(1.5,1.5)-bq[a];
403   bo_tip[a][2]:=0;
404   bo_serif[a][0]:=5;
405   bo_serif[a][2]:=4;
406 enddef;

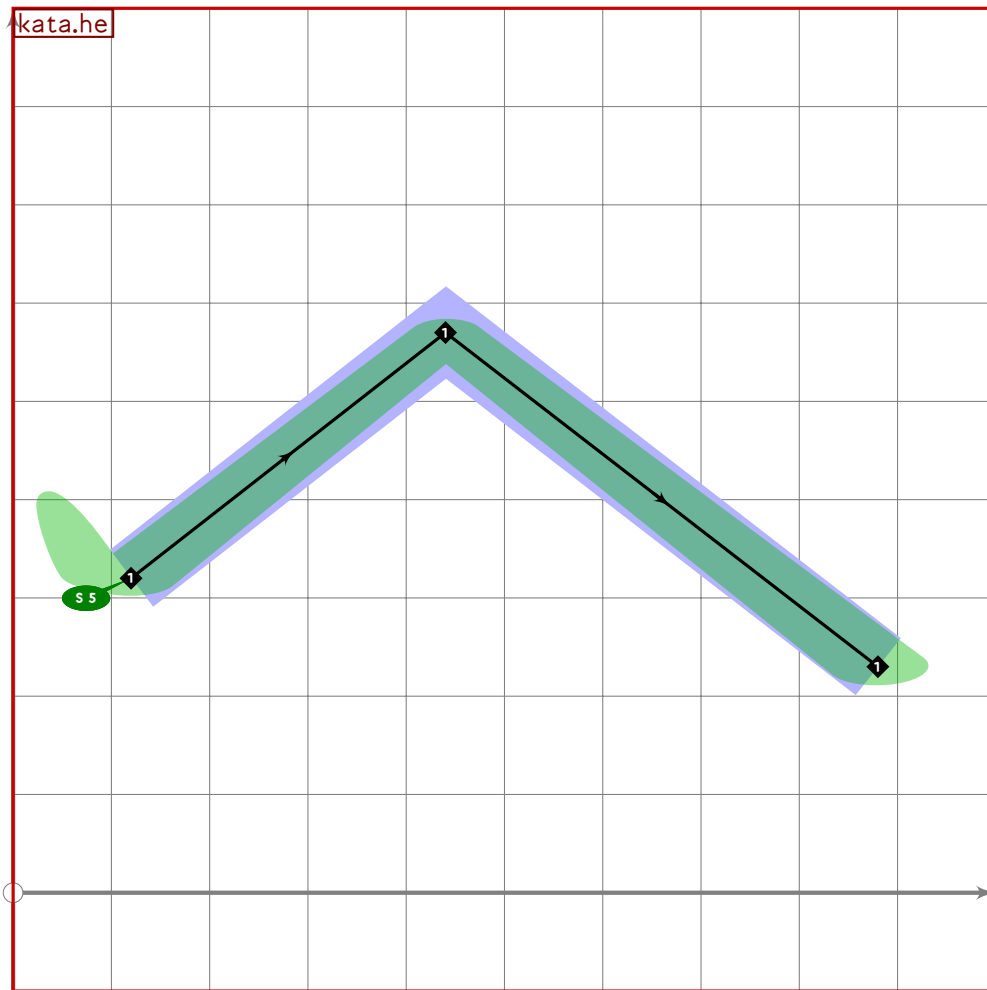
```



```

407
408 vardef tsu_curve.kata.fu =
409   add_proof_box("kata.fu");
410   tsu_curve.kata.fu_stroke(sp)((160,625),(790,635),(320,20));
411   sp:=sp^1;
412 enddef;

```



```

413
414 vardef tsu_curve.kata.he =
415   add_proof_box("kata.he");
416   bp[sp]:=(120,320)-(440,570)-(880,230);
417   bq[sp]:=(1.8,1.8)-(1.5,1.5)-(1.9,1.9);
418   bo_tip[sp][1]:=1;
419   bo_serif[sp][0]:=5;
420   sp:=sp^1;
421 enddef;
422
423 vardef tsu_curve.kata.ho_centre(expr a,pta,ptb) =
424   bp[a]:=begingroup
425     numeric x[],y[];
426     path mycirc,ripx,ripy;
427     mycirc:=fullcircle scaled 100 shifted ptb;
428     z1=(pta-ptb) intersectionpoint mycirc;
429     z2=ptb*(-200,40);
430     z3=0.85[z2,z1];
431     ripx:=pta{down}..tension 1.6..z3..{curl 0}z2;
432     ripx:=insert_nodes(ripx)(0.95);
433     z4=1.5[z1,ptb];

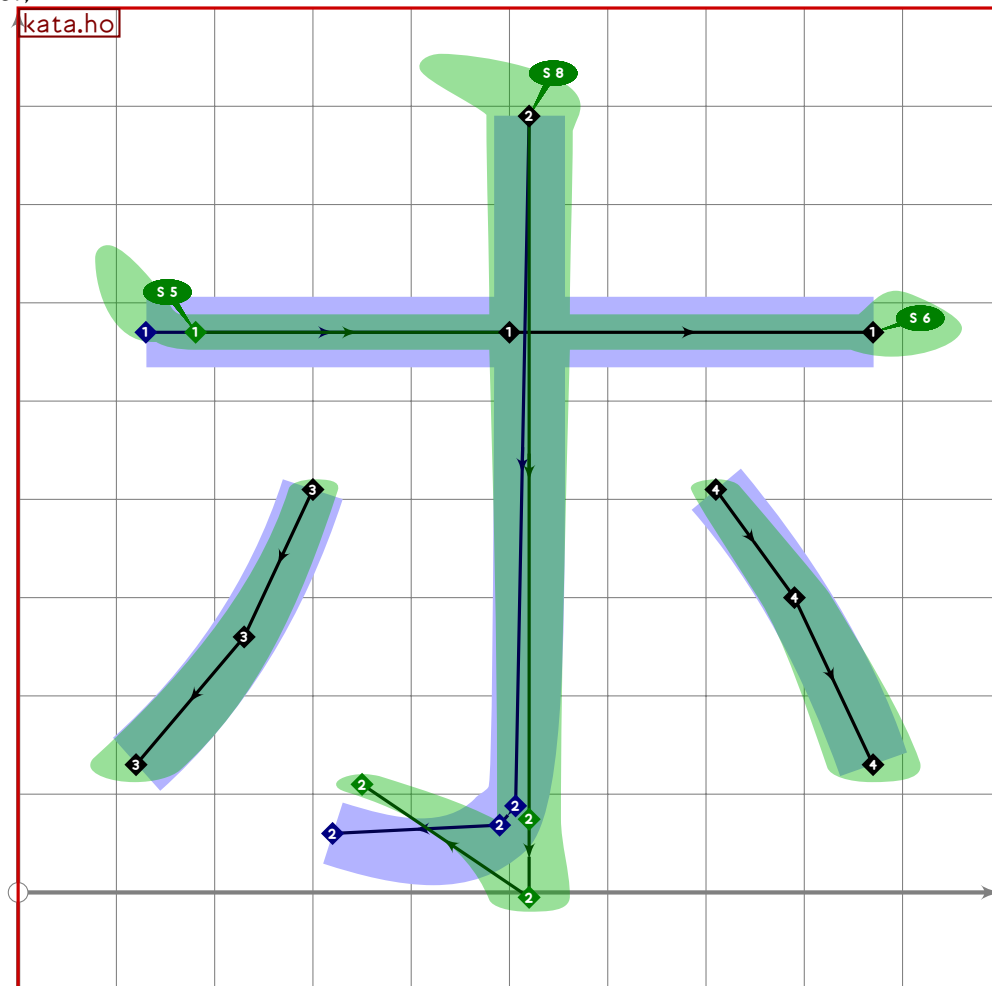
```



```

434 z5=ptb*(-170,90);
435 ripy:=pta-z4{z3-z4}..{curl 0}z5;
436 ripy:=insert_nodes(ripy)(0.90);
437 interpath(mincho,ripx,ripy)
438 endgroup;
439 bq[a]:=(1.7,1.7)-(1.4,1.4)-(1.6,1.6)-(0.9,1.6);
440 bo_tip[a][2]:=0;
441 bo_serif[a][0]:=8;
442 enddef;

```



```

443
444 vardef tsu_curve.kata.ho =
445   add_proof_box("kata.ho");
446   bp[sp]:=(130,570)-(500,570)-(870,570);
447   bq[sp]:=(0.68,2.92)-(1.8,1.8)-(1.9,1.9);
448   bo_serif[sp][0]:=5;
449   bo_serif[sp][2]:=6;
450   tsu_curve.kata.ho_centre(sp*1)((520,790),(520,20));
451   bp[sp*2]:=(300,410)..(230,260)..(120,130);
452   bq[sp*2]:=(1.2,1.2)-(1.5,1.5)-(1.8,1.8);
453   bp[sp*3]:=(710,410)..(790,300)..(870,130);
454   bq[sp*3]:=(1.2,1.2)-(1.5,1.5)-(1.8,1.8);

```

```

455 sp:=sp*4;
456 enddef;
457

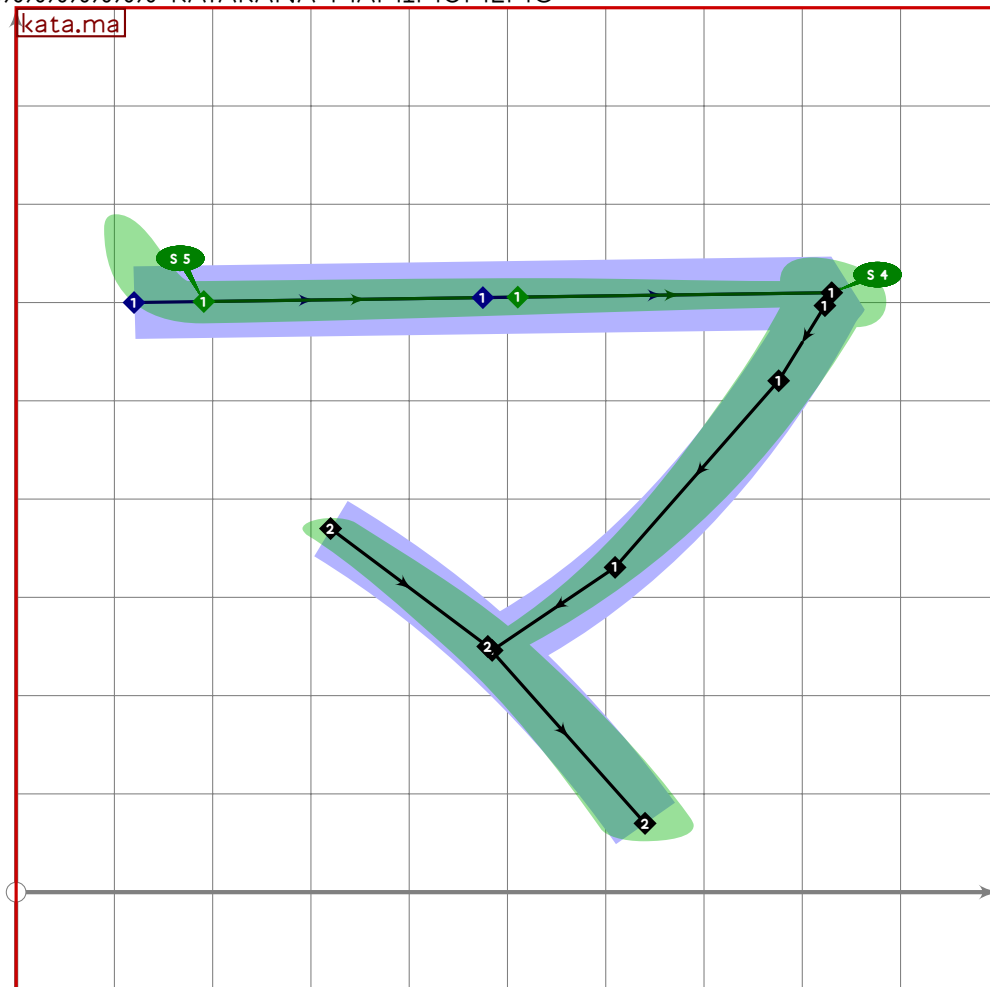
```

Katakana Mamimumemo

```

458 %%%%%%%%% KATAKANA MAMIMUMEMO

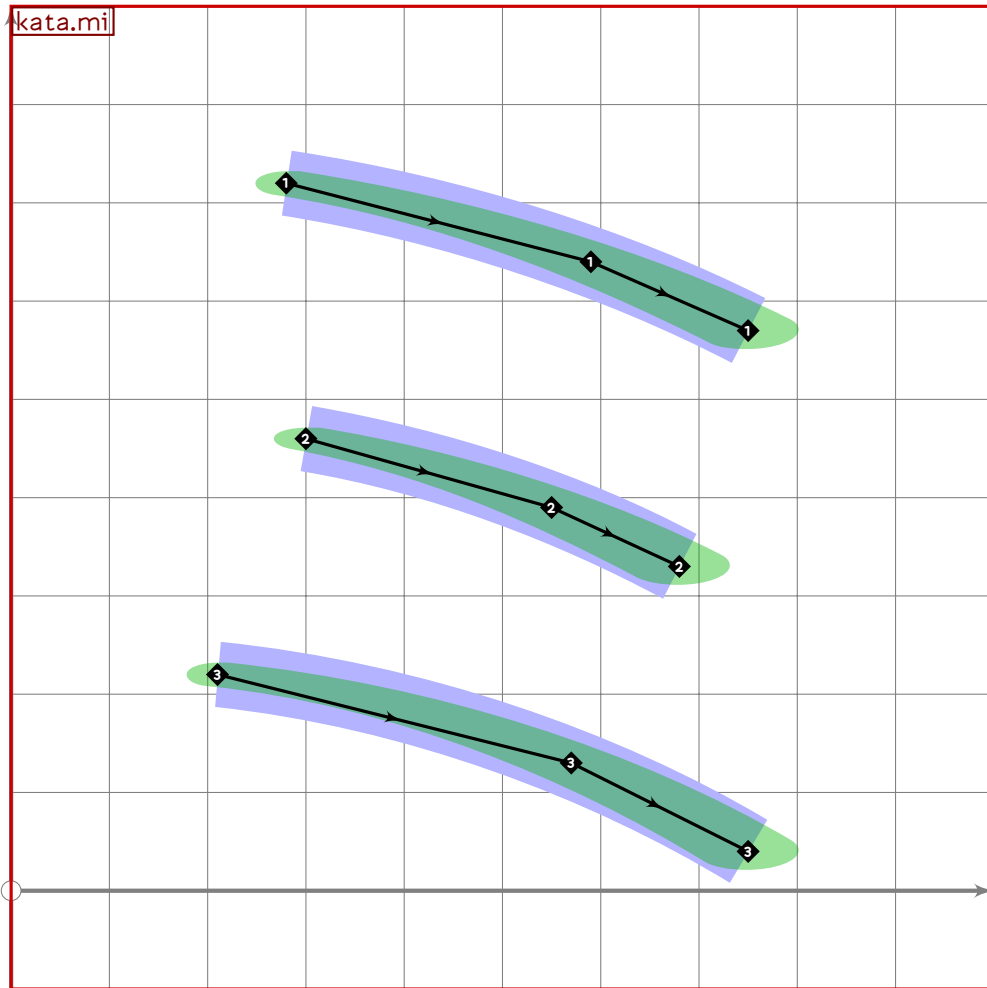
```



```

459
460 vardef tsu_curve.kata.ma =
461   add_proof_box("kata.ma");
462   tsu_curve.kata.fu_stroke(sp)((120,600),(830,610),(200,180));
463   bp[sp*1]:=(320,370)..(480,250)..(640,70);
464   bq[sp*1]:=(1.3,1.3)-(1.6,1.6)-(1.8,1.8);
465   bp[sp]:=subpath (0,xpart (bp[sp] intersectiontimes bp[sp*1])) of bp[sp];
466   sp:=sp*2;
467 enddef;

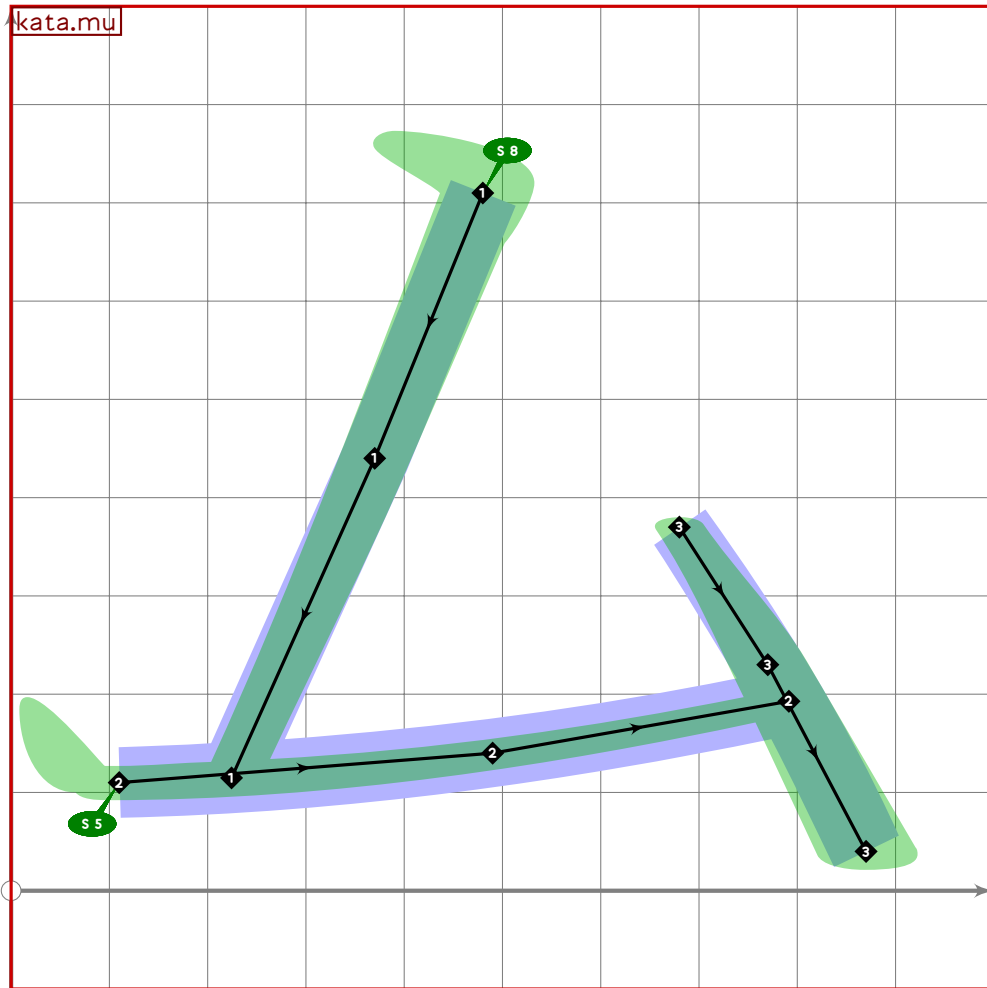
```



```

468
469 vardef tsu_curve.kata.mi =
470   add_proof_box("kata.mi");
471   bp[sp]:=(280,720)..(590,640)..(750,570);
472   bq[sp]:=(1.4,1.4)-(1.7,1.7)-(1.9,1.9);
473   bp[sp*1]:=(300,460)..(550,390)..(680,330);
474   bq[sp*1]:=(1.4,1.4)-(1.7,1.7)-(1.9,1.9);
475   bp[sp*2]:=(210,220)..(570,130)..(750,40);
476   bq[sp*2]:=(1.4,1.4)-(1.7,1.7)-(1.9,1.9);
477   sp:=sp*3;
478 enddef;

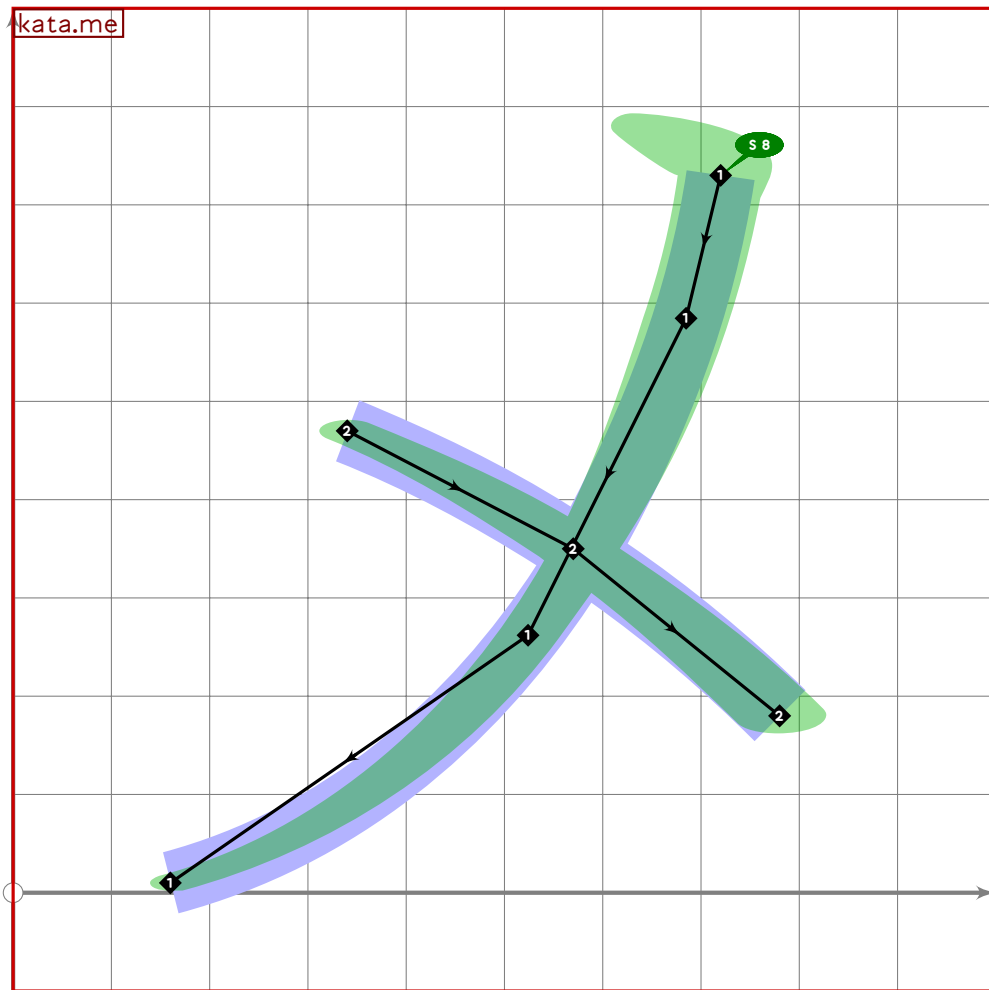
```



```

479
480 vardef tsu_curve.kata.mu =
481   add_proof_box("kata.mu");
482   bp[sp*2]:= (680,370)..(770,230)..(870,40);
483   bq[sp*2]:= (1.2,1.2)-(1.6,1.6)-(1.9,1.9);
484   bp[sp*1]:= (110,110)..(490,140)..(point 1.2 of bp[sp*2]);
485   bq[sp*1]:= (1.8,1.8)-(1.6,1.6)-(1.4,1.4);
486   bo_serif[sp*1][0]:=5;
487   bp[sp]:= (480,710)..(370,440)..(point 0.3 of bp[sp*1]);
488   bq[sp]:= (1.7,1.7)-(1.5,1.5)-(1.3,1.3);
489   bo_serif[sp][0]:=8;
490   sp:=sp*3;
491 enddef;

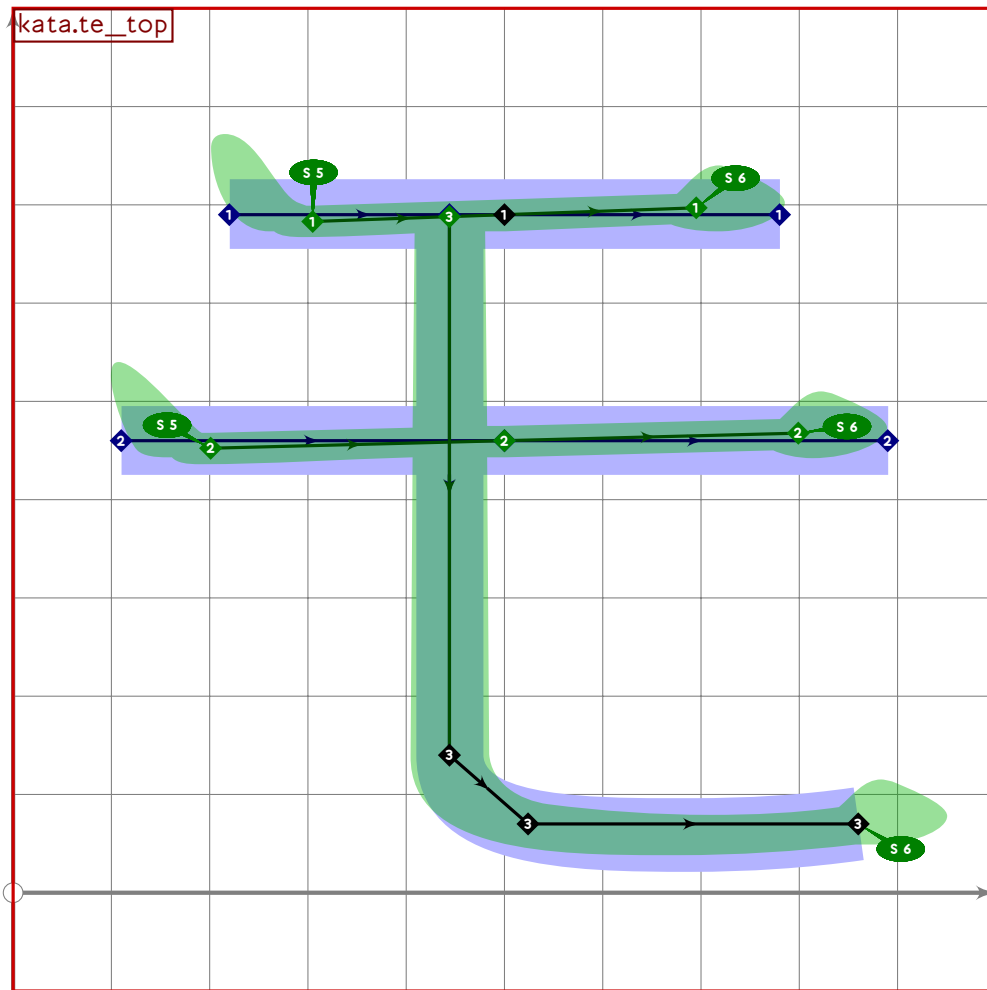
```



```

492
493 vardef tsu_curve.kata.me =
494   add_proof_box("kata.me");
495   tsu_curve.kata.no_stroke(sp)((720,730),(160,10));
496   bo_serif[sp][0]:=8;
497   bp[sp*1]:=(340,470)..(570,350)..(780,180);
498   bq[sp*1]:=(1.3,1.3)-(1.6,1.6)-(1.8,1.8);
499   sp:=sp*2;
500 enddef;

```



```

501
502 vardef tsu_curve.kata.mo =
503   add_proof_box("kata.mo");
504   tsu_curve.kata.te_top;
505   sp:=sp-2;
506   bp[sp*2]:=(point 0.8 of bp[sp])–
507     (xpart point 0.8 of bp[sp],140){dir 274}..
508     (80*xpart point 0.8 of bp[sp],70)..tension 2.1..(860,70);
509   bq[sp*2]:=(1.5,1.5)–(1.6,1.6)–(2,2)–(1.9,1.9);
510   bo_serif[sp*2][3]:=6;
511   sp:=sp+3;
512 enddef;
513

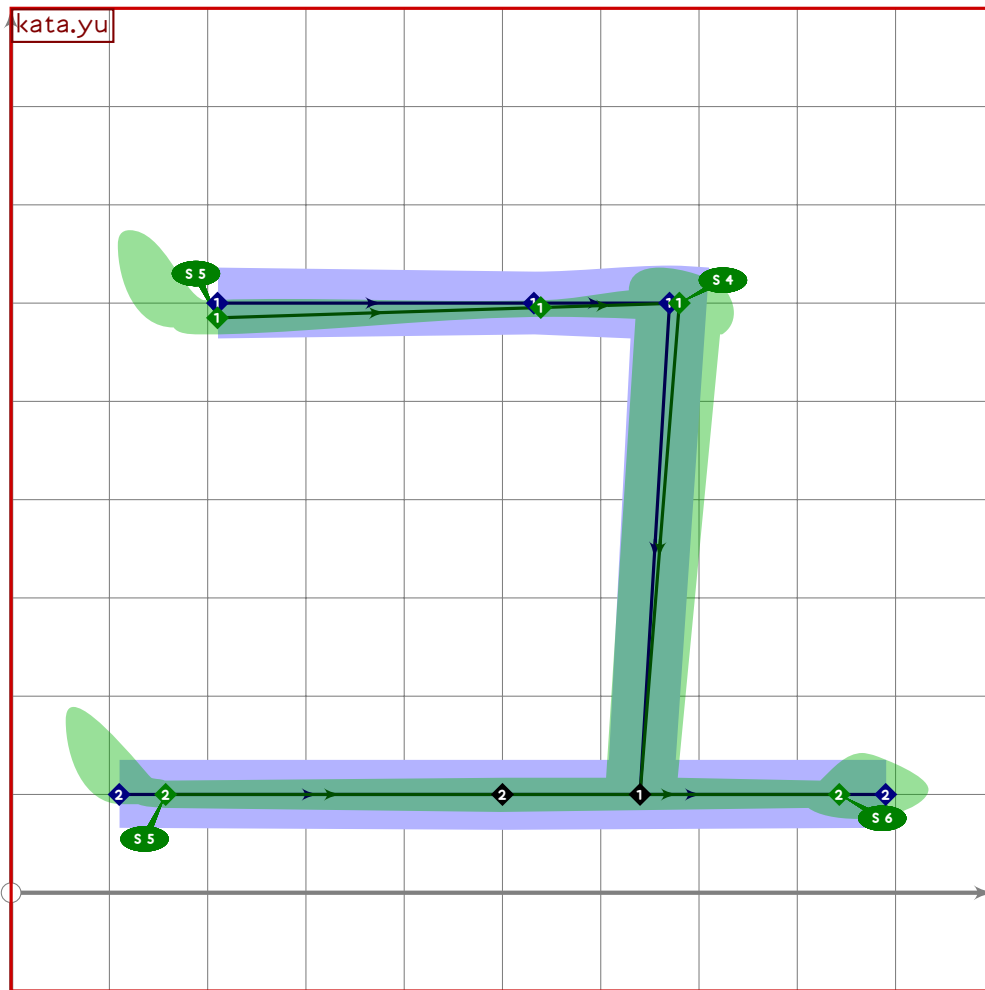
```

Katakana Yayuyo

```

514 %%%%%%%%% KATAKANA YAYUYO

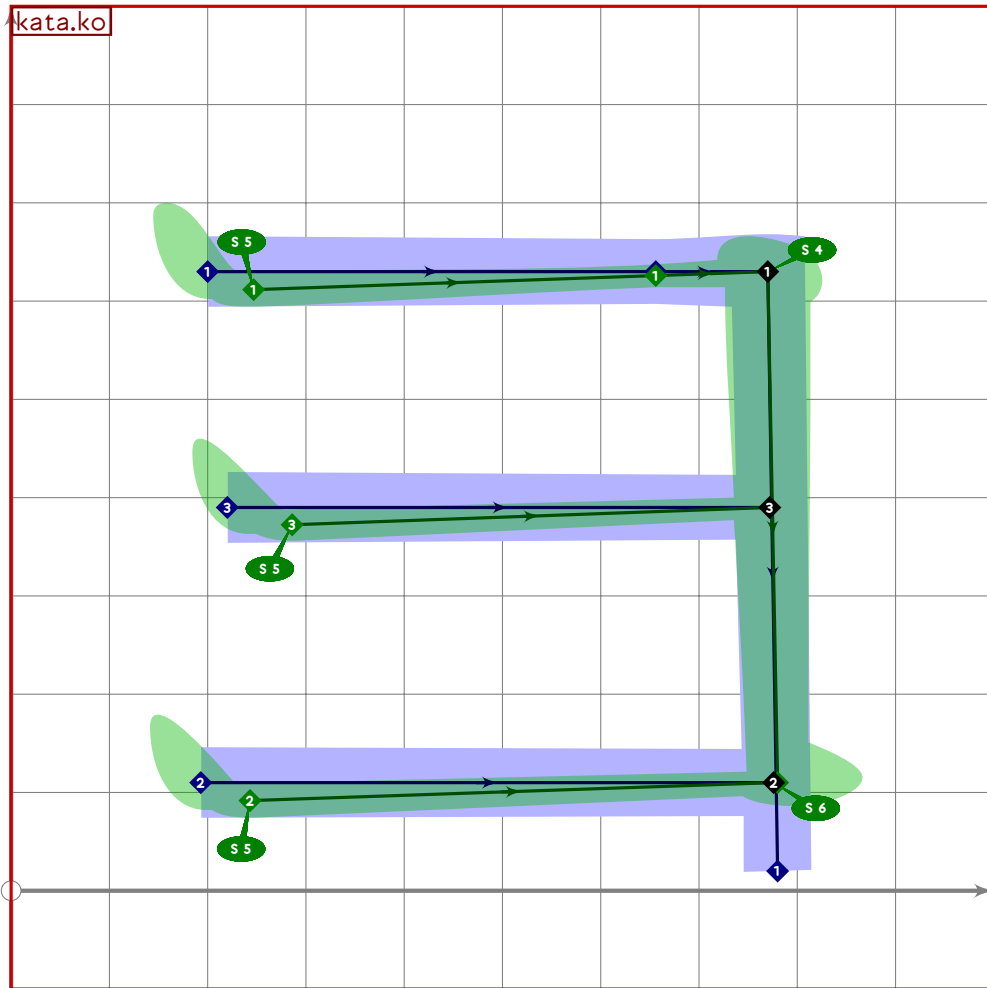
```

```

530
531 vardef tsu_curve.kata.yu =
532   add_proof_box("kata.yu");
533   bp[sp]:=(210,600-15*mincho)-(670*10*mincho,600)-(640,100);
534   bp[sp]:=insert__nodes(bp[sp])(0.7);
535   bq[sp]:=(1,8,1,8)-(1,2,1,2)-(1,7,1,7)-(1,5,1,5);
536   bo_tip[sp][2]:=1;
537   bo_serif[sp][0]:=5;
538   bo_serif[sp][2]:=4;
539   bp[sp*1]:=(110,100)-(500,100)-(890,100);
540   bq[sp*1]:=(0,7,2,2)-(1,8,1,8)-(0,7,2,2);
541   bo_serif[sp*1][0]:=5;
542   bo_serif[sp*1][2]:=6;
543   sp:=sp*2;
544 enddef;

```

```

545
546 vardef tsu_curve.kata.yo =
547   add_proof_box("kata.yo");
548   tsu_curve.kata.ko;
549   bp[sp]:=(220,390-20*mincho)-(772,390);
550   bq[sp]:=(0.77,2.7)-(1.3,1.3);
551   bo_serif[sp][0]:=5;
552   sp:=sp*1;
553 enddef;
554

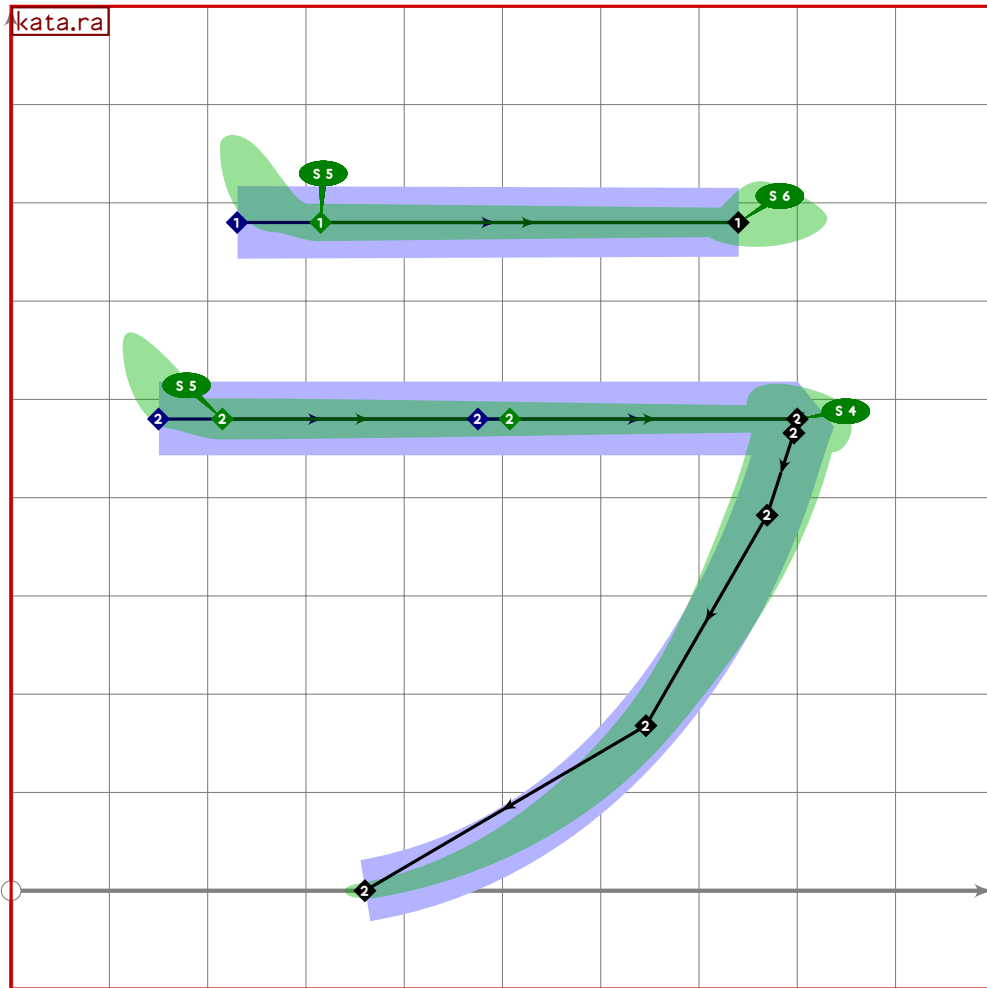
```

Katakana Rarirurero

```

555 %%% KATAKANA RARIRURERO

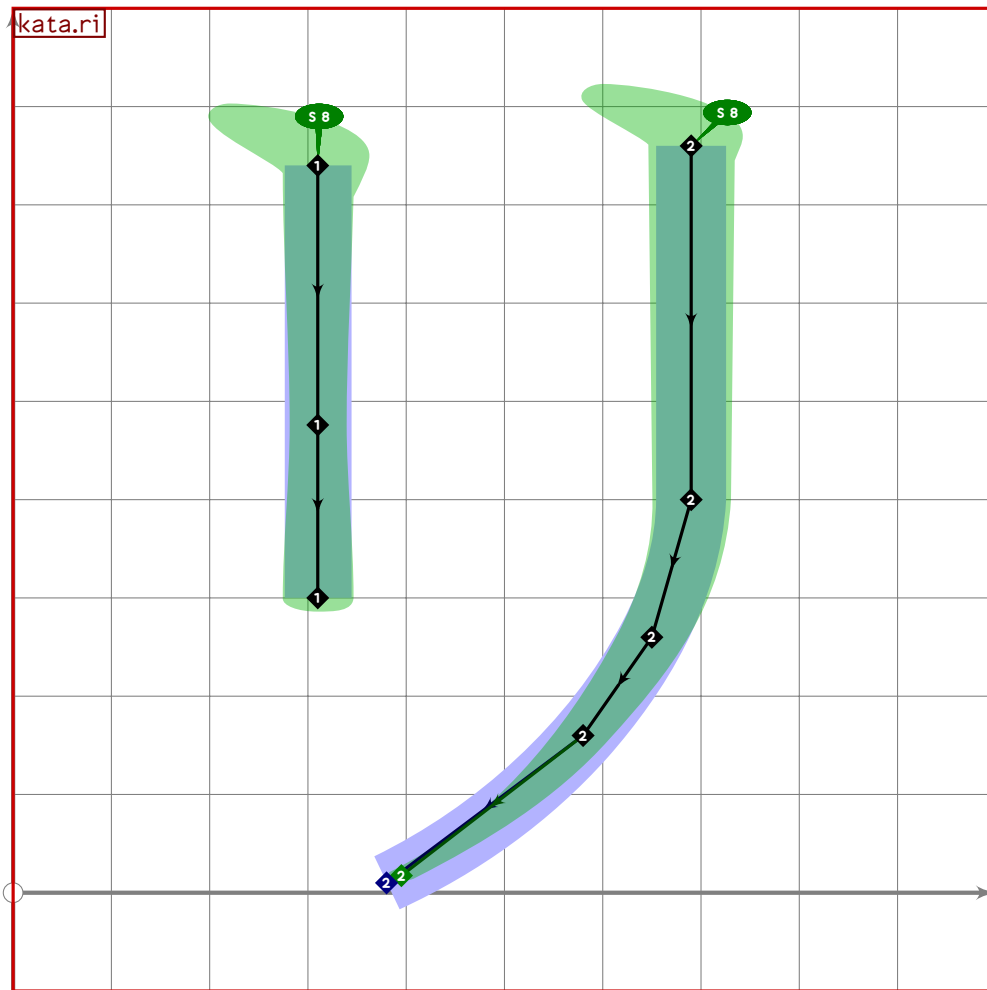
```



```

556
557 vardef tsu_curve.kata.ra =
558   add_proof_box("kata.ra");
559   bp[sp]:=(230,680)-(740,680);
560   bq[sp]:=(0.68,3.12)-(1.6,1.6);
561   bo_serif[sp][0]:=5;
562   bo_serif[sp][1]:=6;
563   tsu_curve.kata.fu_stroke(sp*1)((150,480),(800,480),(360,0));
564   sp:=sp*2;
565 enddef;

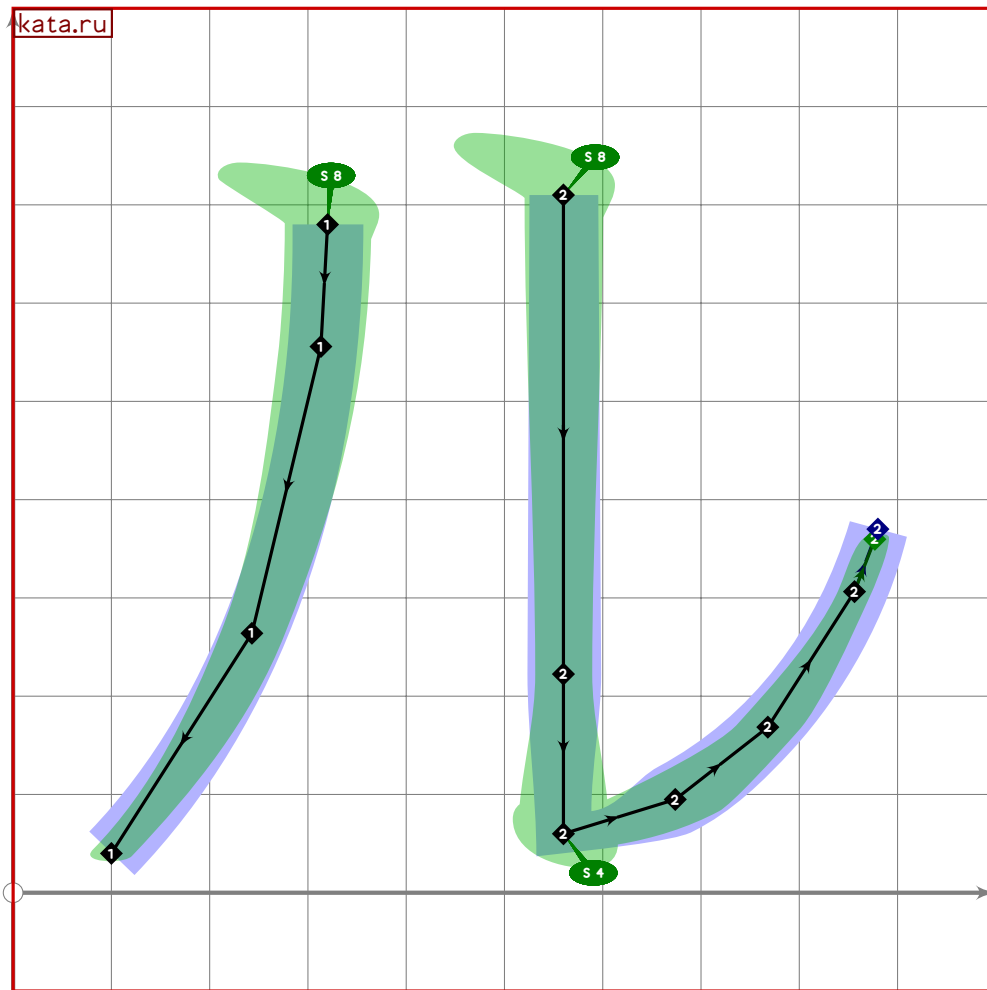
```



```

566
567 vardef tsu_curve.kata.ri =
568   add_proof_box("kata.ri");
569   bp[sp]:=(310,740)-(310,300);
570   bp[sp]:=insert__nodes(bp[sp])(0.6);
571   bq[sp]:=(1.5,1.5)-(1.3,1.3)-(1.5,1.5);
572   bo_serif[sp][0]:=8;
573   bp[sp*1]:=(690,760)-(690,400){dir 267}..(650,260)..(580,160)..(380,10);
574   bq[sp*1]:=(1.7,1.7)-(1.6,1.6)-(1.5,1.5)-(1.3,1.3)-(0.8,1);
575   bo_serif[sp*1][0]:=8;
576   sp:=sp*2;
577 enddef;

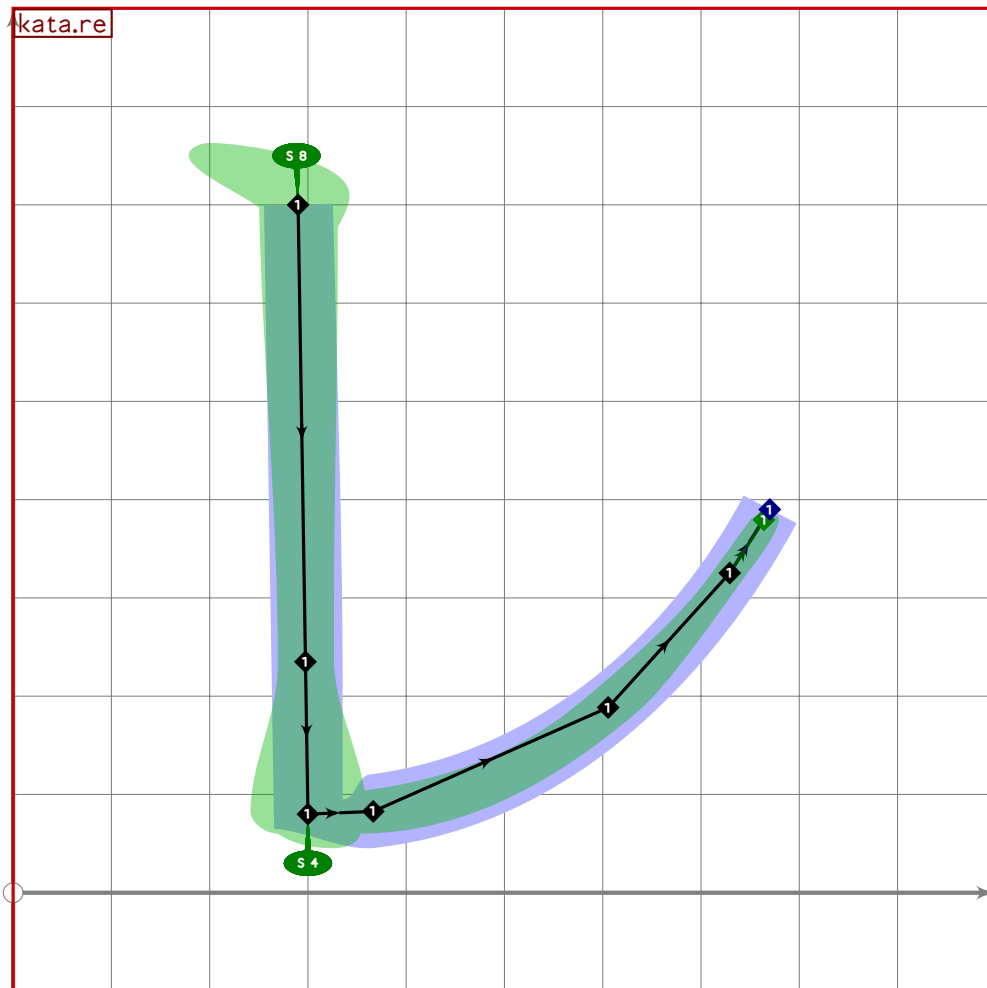
```



```

578
579 vardef tsu_curve.kata.ru =
580   add_proof_box("kata.ru");
581   tsu_curve.kata.no_stroke(sp)((320,680),(100,40));
582   bo_serif[sp][0]:=8;
583   tsu_curve.kata.no_stroke(sp*1)((880,370),(560,60));
584   bp[sp*1]:=(560,710)-reverse bp[sp*1];
585   bp[sp*1]:=insert_nodes(bp[sp*1])(0.75,1.5);
586   bq[sp*1]:=(1.6,1.6)-(1.3,1.3)-(1.8,1.8)-
587     (2,2)-(1.4,1.4)-(1,1)-(0.8,1);
588   bo_tip[sp*1][1]:=0;
589   bo_serif[sp*1][0]:=8;
590   bo_serif[sp*1][2]:=4;
591   sp:=sp*2;
592 enddef;

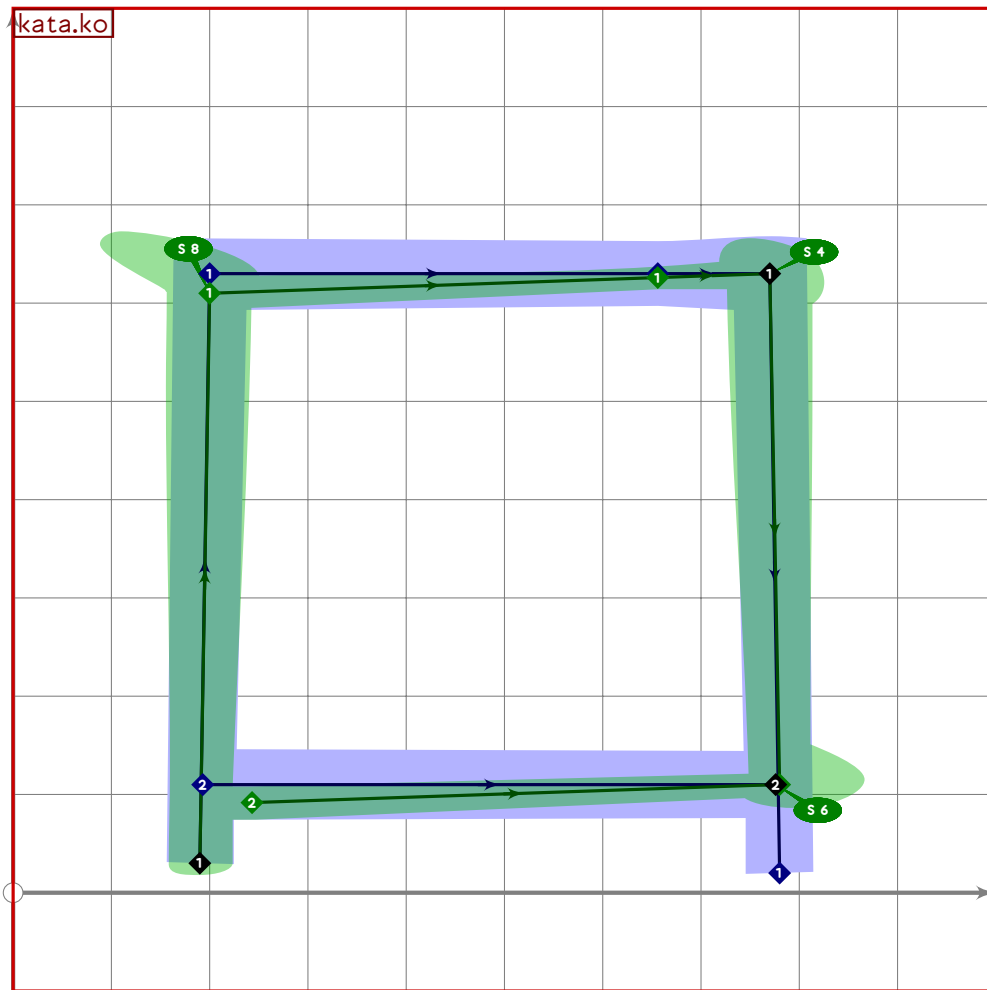
```



```

593
594 vardef tsu_curve.kata.re =
595   add_proof_box("kata.re");
596   tsu_curve.kata.no_stroke(sp)((770,390),(300,80));
597   bp[sp]:=(290,700)-reverse bp[sp];
598   bp[sp]:=insert_nodes(bp[sp])(0.75,1.2);
599   bq[sp]:=(1.6,1.6)-(1.3,1.3)-(2.1,2.1)-
600     (2,2)-(1.4,1.4)-(1,1)-(0.8,1);
601   bo_tip[sp][1]:=0;
602   bo_serif[sp][0]:=8;
603   bo_serif[sp][2]:=4;
604   sp:=sp*1;
605 enddef;

```



```

606
607 vardef tsu_curve.kata.ro =
608   add_proof_box("kata.ro");
609   tsu_curve.kata.ko;
610   sp:=sp-2;
611   bp[sp]:=(190,30)-bp[sp];
612   bq[sp]:=(1.4,1.4)-(1.7,1.7)-(subpath (1,infinity) of bq[sp]);
613   bo_tip[sp][1]:=1;
614   bo_tip[sp][2]:=whatever;
615   bo_tip[sp][3]:=1;
616   bo_serif[sp][0]:=whatever;
617   bo_serif[sp][1]:=8;
618   bo_serif[sp][2]:=whatever;
619   bo_serif[sp][3]:=4;
620   bo_serif[sp*1][0]:=whatever;
621   sp:=sp*2;
622 enddef;
623

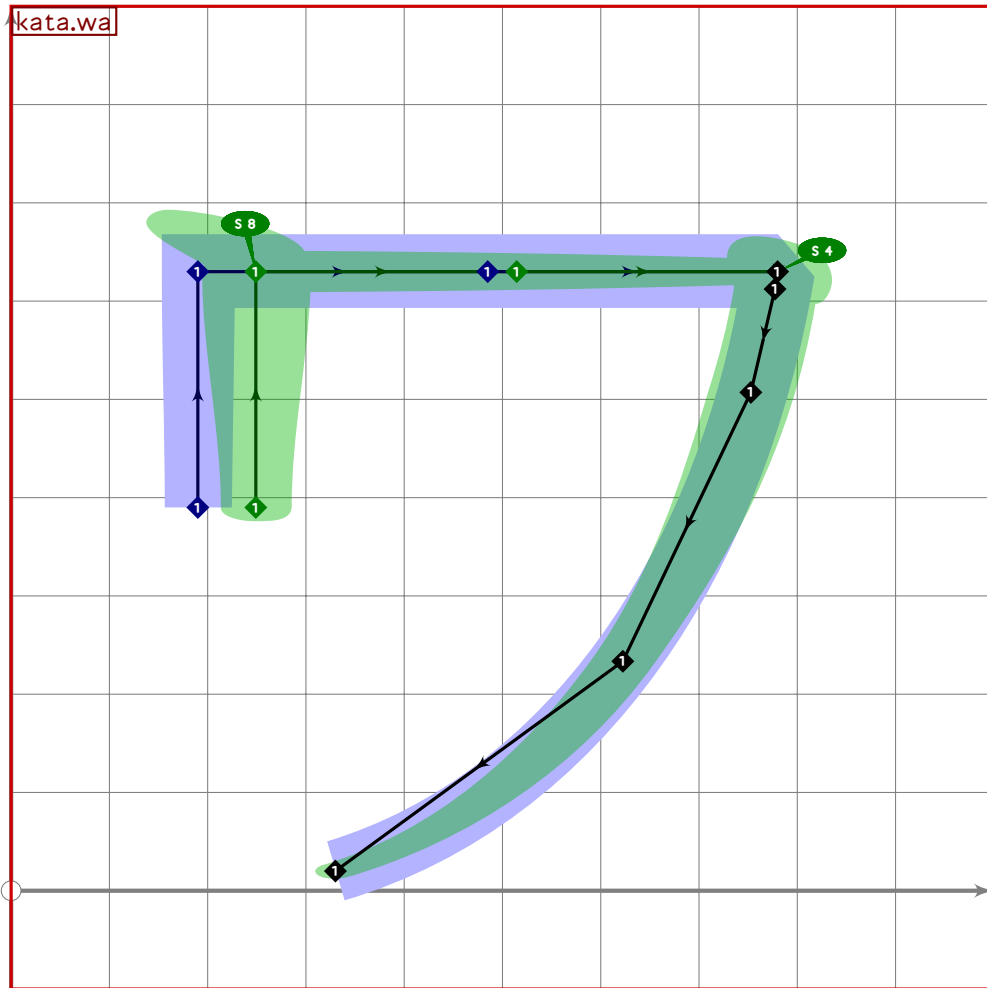
```

Katakana Wawiwewo/N/Iteration

```

624 %%% KATAKANA WAWIWEWO/N/ITERATION

```



```

625
626 vardef tsu_curve.kata.wa =
627   add_proof_box("kata.wa");
628   tsu_curve.kata.fu_stroke(sp)((190,630),(780,630),(330,20));
629   bp[sp]:=(xpart point 0 of bp[sp],390)-bp[sp];
630   bq[sp]:=(1.5,1.5)-bq[sp];
631   bo_tip[sp][1]:=1;
632   bo_tip[sp][3]:=0;
633   bo_serif[sp][0]:=whatever;
634   bo_serif[sp][1]:=8;
635   bo_serif[sp][2]:=whatever;
636   bo_serif[sp][3]:=4;
637   sp:=sp*1;
638 enddef;

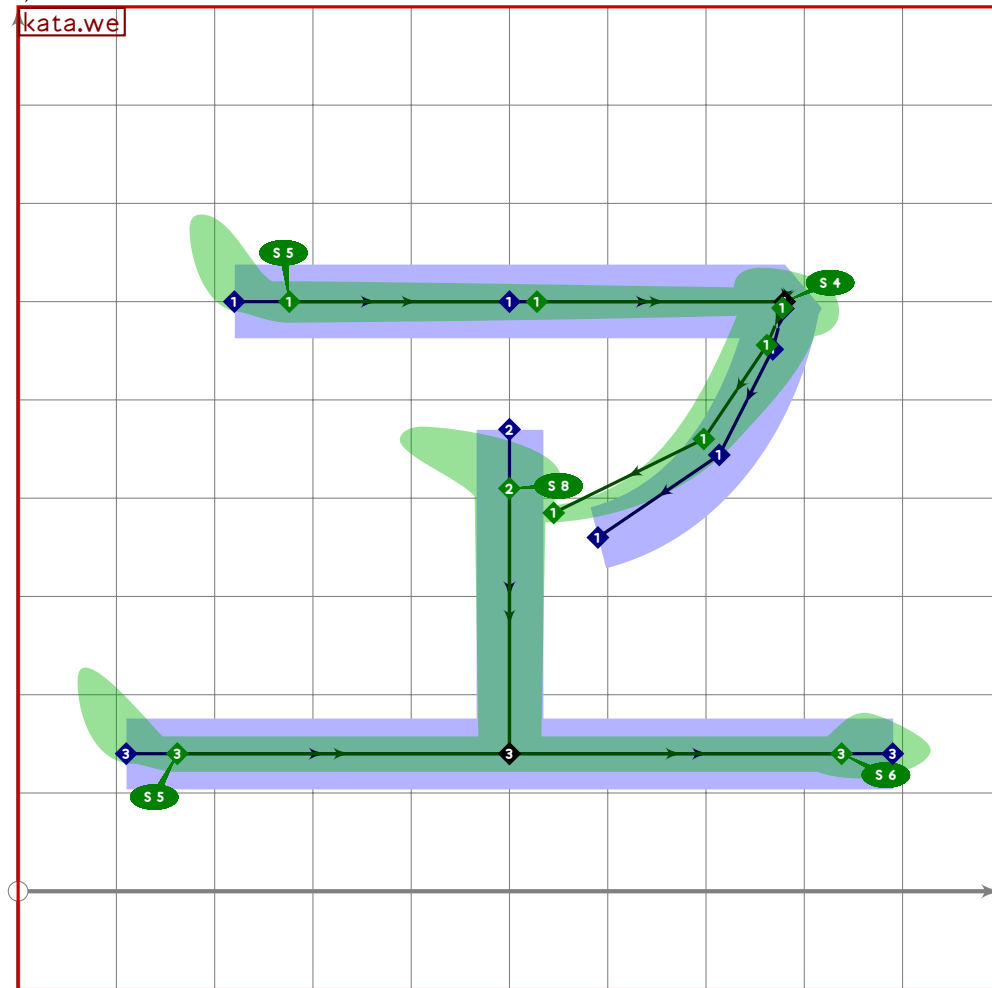
```



```

660 bo_serif[sp*2][0]:=8;
661 bp[sp*3]:=(x1,y2)-(x6,y2);
662 bp[sp*3]:=insert_nodes(bp[sp*3])(0.5);
663 bq[sp*3]:=(0.7,3.3)-(1.8,1.8)-(0.7,3.3);
664 bo_serif[sp*3][0]:=5;
665 bo_serif[sp*3][2]:=6;
666 sp:=sp+4;
667 endif;

```

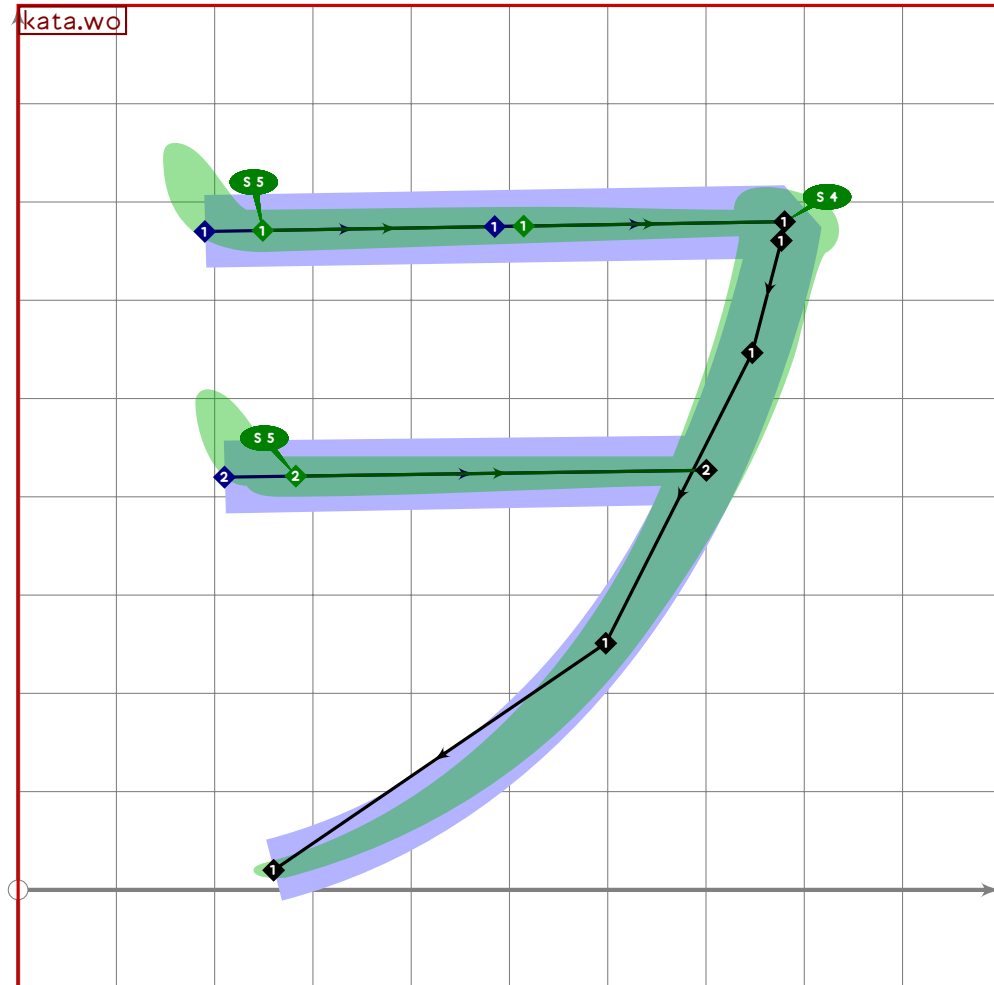


```

668
669 vardef tsu_curve.kata.we =
670   add_proof_box("kata.we");
671   bp[sp*1]:=(500,470-60*mincho)-(500,140);
672   bq[sp*1]:=(1.5,1.5)-(1.4,1.4);
673   bo_serif[sp*1][0]:=8;
674   tsu_curve.kata.fu_stroke(sp)((220,600),(780,600),
675     (0.5*mincho)[(590,360),point 0 of bp[sp*1]]);
676   bp[sp*2]:=(110,140)-(500,140)-(890,140);
677   bq[sp*2]:=(0.7,2.9)-(1.7,1.7)-(0.7,2.9);
678   bo_serif[sp*2][0]:=5;
679   bo_serif[sp*2][2]:=6;
680   sp:=sp+3;

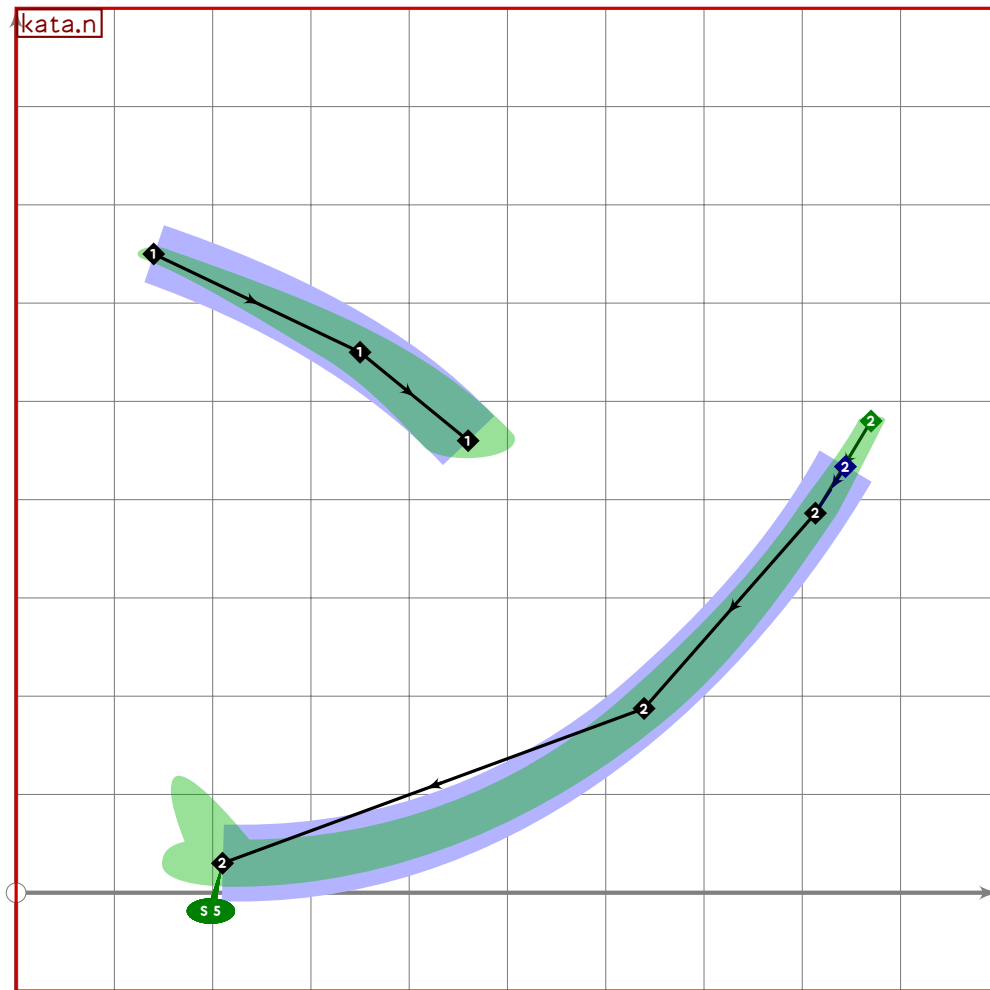
```

681 enddef;



682

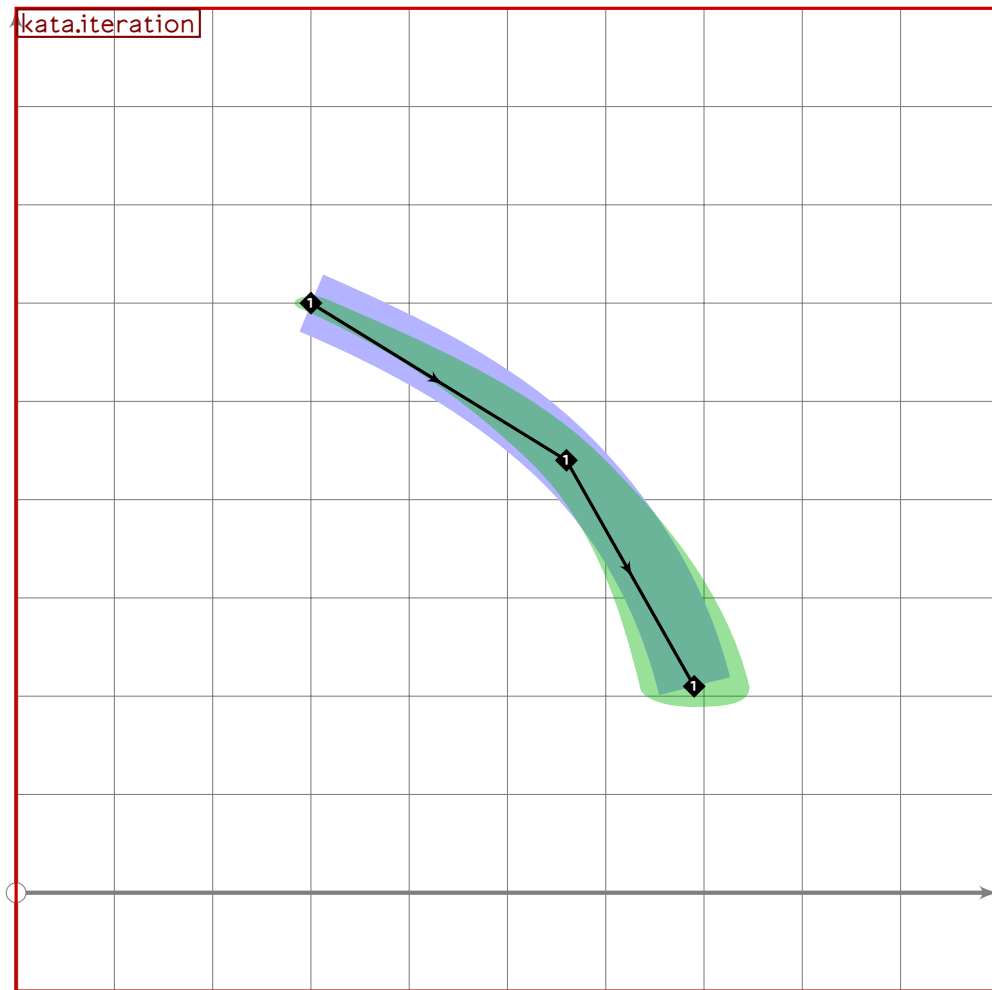
```
683 vardef tsu_curve.kata.wo =  
684   add_proof_box("kata.wo");  
685   tsu_curve.kata.fu_stroke(sp)((190,670),(780,680),(260,20));  
686   z1=bp[sp] intersectionpoint ((0,420)-(1000,430));  
687   bp[sp*1]:=(210,420)-z1;  
688   bq[sp*1]:=(0.7,3.3)-(1.6,1.6);  
689   bo_serif[sp*1][0]:=5;  
690   sp:=sp*2;  
691 enddef;
```



```

692
693 vardef tsu_curve.kata.n =
694   add_proof_box("kata.n");
695   bp[sp]:=(140,650)..tension 1.2..(350,550)..(460,460);
696   bq[sp]:=(1,1)..(1.6,1.6)..(1.8,1.8);
697   tsu_curve.kata.no_stroke(sp*1)((870,480),(210,30));
698   bq[sp*1]:=(0.9,0.9)-(1.1,1.1)-(1.4,1.4)-(2.2,2.2);
699   bo_serif[sp*1][length bp[sp*1]]:=5;
700   sp:=sp*2;
701 enddef;

```



```

702
703 vardef tsu_curve.kata.iteration =
704   add_proof_box("kata.iteration");
705   bp[sp]:=(300,600){curl 0.2}..(560,440)..(690,210);
706   bq[sp]:=(1,1)-(1.5,1.5)-(2,2);
707   sp:=sp*1;
708 enddef;

```

latin.mp

```

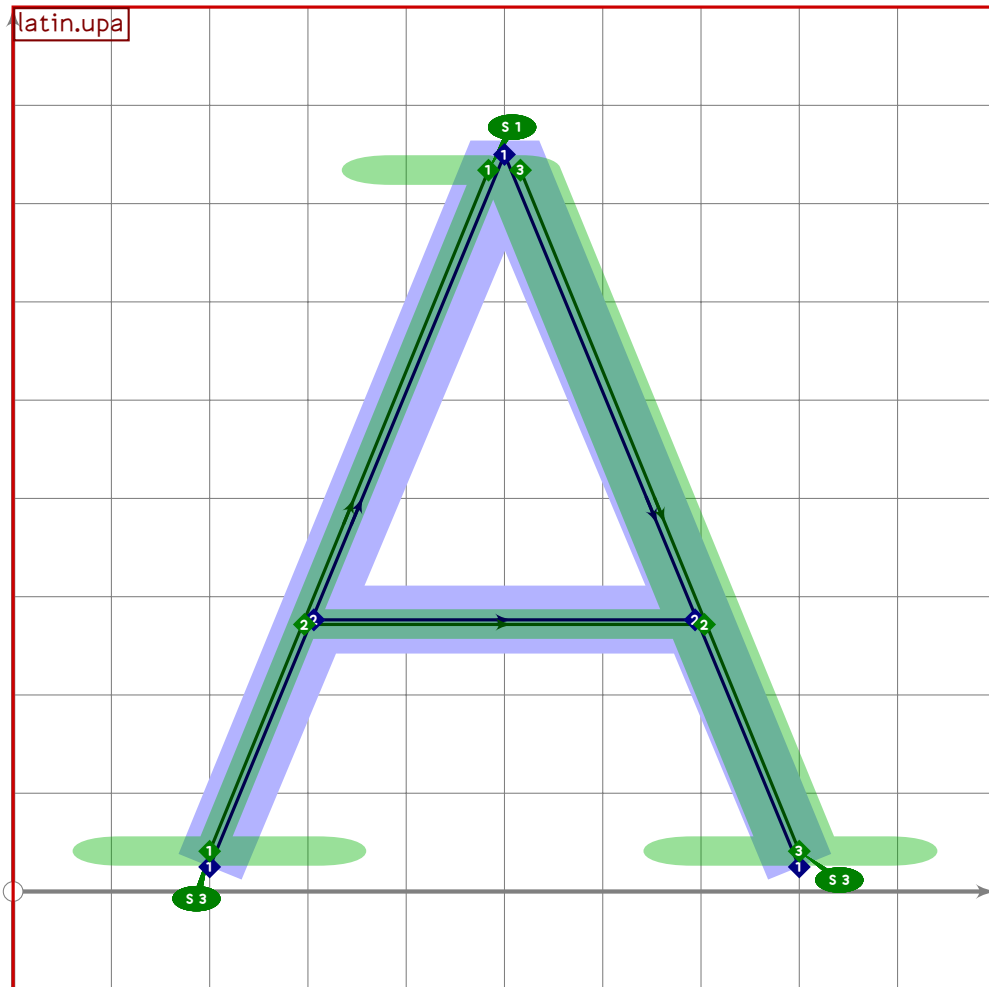
1 %
2 % Latin and related letters for Tsukurimashou
3 % Copyright (C) 2011 Matthew Skala
4 %

```

5-29 [Standard copyright notice]

30

31



32

```
33 vardef tsu_curve.latin.upa =
```

```
34   add_proof_box("latin.upa");
```

```
35   z1=(200,latin_wide_low_v);
```

```
36   z2=(500,latin_wide_high_v);
```

```
37   z3=(800,latin_wide_low_v);
```

38

```
39   if do_alteration:
```

```
40     z4=whatever[z1,(z2*alternate_adjust*left/2)]*(2,0);
```

```
41     z5=whatever[(z2*alternate_adjust*right/2),z3]-(2,0);
```

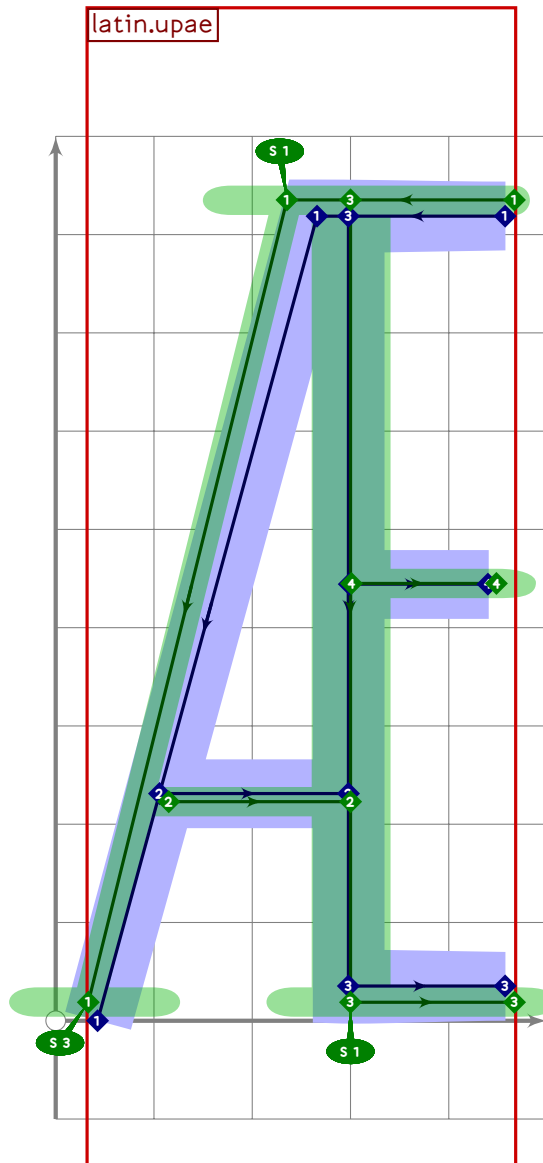
```
42     y4=y5=vmetric(0.333);
```

43

```

44     bp[sp]:=z1-(z2*alternate_adjust*left/2);
45     bq[sp]:=(1.6,1.6)-(1.6,1.6);
46     bo_alternate[sp]:=true;
47     bo_tip[sp][1]:=0;
48     bo_serif[sp][0]:=3;
49     bo_serif[sp][1]:=1;
50
51     bp[sp*1]:=z4-z5;
52     bq[sp*1]:=(1.6,1.6)-(1.6,1.6);
53     bo_alternate[sp*1]:=true;
54
55     bp[sp*2]:=(z2*alternate_adjust*right/2)-z3;
56     bq[sp*2]:=(1.6,1.6)-(1.6,1.6);
57     bo_serif[sp*2][1]:=3;
58
59     sp:=sp*3;
60 else:
61     z4=whatever[z1,z2]*(2,0);
62     z5=whatever[z2,z3]-(2,0);
63     y4=y5=vmetric(0.333);
64
65     bp[sp]:=z1-z2-z3;
66     bq[sp]:=(1.6,1.6)-(1.6,1.6)-(1.6,1.6);
67
68     bo_tip[sp][1]:=0;
69     bo_serif[sp][0]:=3;
70     bo_serif[sp][1]:=1;
71     bo_serif[sp][2]:=3;
72
73     bp[sp*1]:=z4-z5;
74     bq[sp*1]:=(1.6,1.6)-(1.6,1.6);
75
76     sp:=sp*2;
77 fi;
78 enddef;

```



```

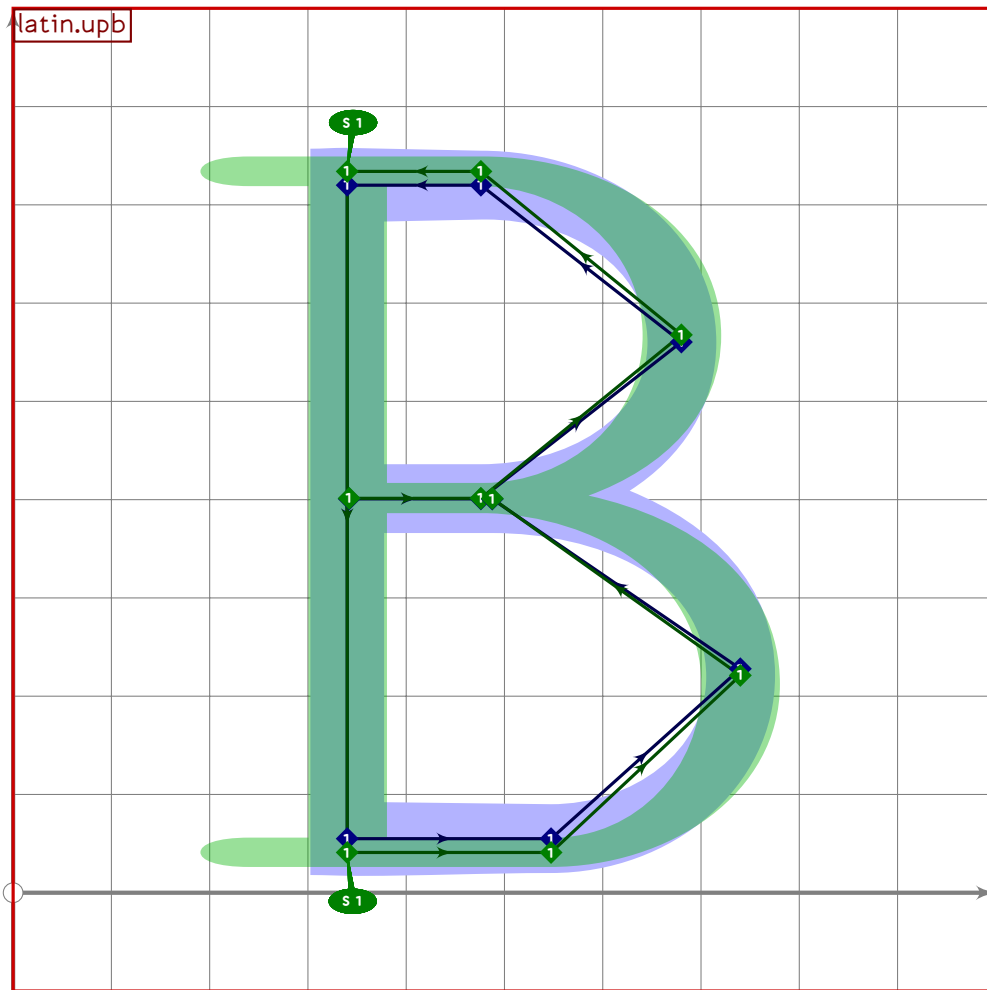
79
80 vardef tsu_curve.latin.upae =
81   add_proof_box("latin.upae");
82   y1=y2=latin_wide_high_h;
83   y3=y4=latin_wide_low_h;
84   y5=y6=vmetric(0.522);
85
86   (x1+x7)/2=500;
87   x2=x3;
88   x1=x4;
89   x5=x2*2;
90   x6=0.89[x2,x1];
91   (x1-x2)=(y2-y3)*0.55;
92
93   y7=latin_wide_low_v;
94   x7=(-1.6)[x2,x1];

```

```

95 z10=(-0.2)[z2,z1]*2.2*alternate_adjust*left;
96 z8=whatever[z7,z10]*2.2*alternate_adjust*right;
97 z9=whatever[z2,z3];
98 y8=y9=vmetric(0.250);
99
100 bp[sp]:=z1-z10-z7;
101 bq[sp]:=(1.6,1.6)-(1.6,1.6)-(1.6,1.6);
102 bo_tip[sp][1]:=1;
103 bo_serif[sp][1]:=1;
104 bo_serif[sp][2]:=3;
105 bo_alternate[sp]:=true;
106
107 bp[sp*1]:=z8-z9;
108 bq[sp*1]:=(1.6,1.6)-(1.6,1.6);
109
110 bp[sp*2]:=z2-z3-z4;
111 bq[sp*2]:=(1.6,1.6)-(1.6,1.6)-(1.6,1.6);
112 bo_tip[sp*2][1]:=1;
113 bo_serif[sp*2][1]:=1;
114
115 bp[sp*3]:=z5-z6;
116 bq[sp*3]:=(1.6,1.6)-(1.6,1.6);
117
118 sp:=sp*4;
119 enddef;

```

```

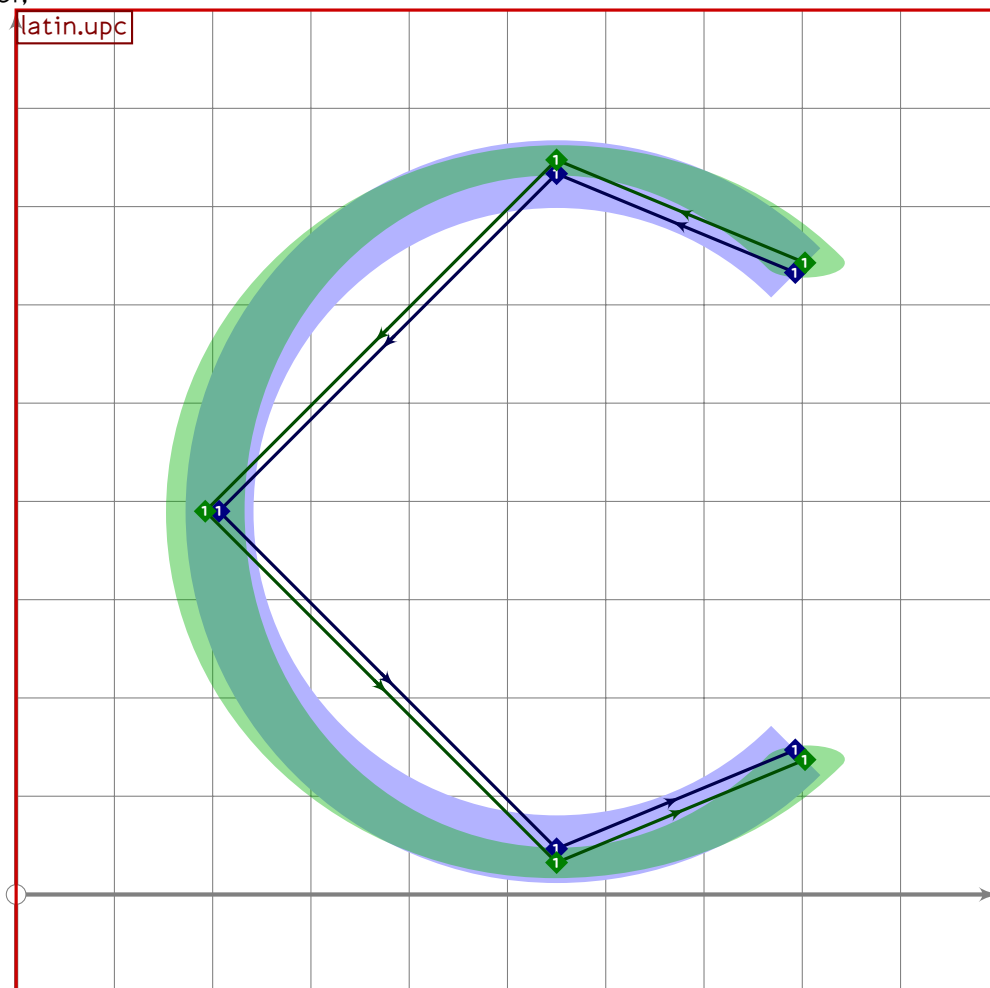
120
121 vardef tsu_curve.latin.upb =
122   add_proof_box("latin.upb");
123   tsu_curve.latin.upp_base(a,340);
124
125   x6=x5;
126   x7=0.61[x5,x3];
127   x8=x5+400;
128
129   y6=y7=latin_wide_low_h;
130   y8=0.5[y6,y1];
131
132   z9=z2;
133
134   bp[sp]:=bp[sp]-z6-z7{right}..z8..{left}z9;
135   bp[sp]:=subpath (0,797) of bp[sp];
136   bq[sp]:=bq[sp]-(1.6,1.6)-(1.6,1.6)-(1.6,1.6)-(1.6,1.6);
137
138   bo_tip[sp][4]:=1;
139   bo_tip[sp][5]:=1;
140   bo_serif[sp][4]:=1;

```

```

141 bo_serif[sp][5]:=1;
142
143 sp:=sp*1;
144 enddef;

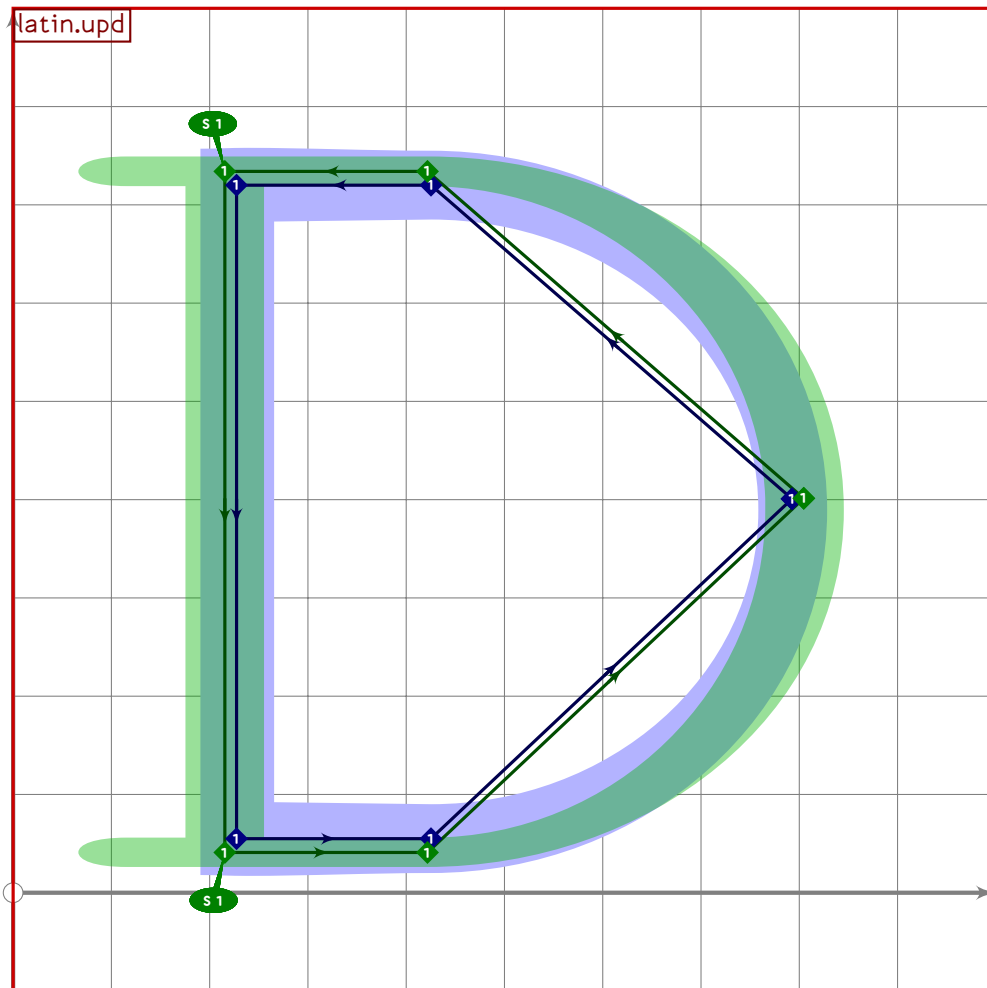
```



```

145
146 vardef tsu_curve.latin.upc =
147   add_proof_box("latin.upc");
148   bp[sp]:=(subpath (0.5,3.5) of ((1,0)..(0,1)..(-1,0)..(0,-1)..cycle))
149     scaled ((latin_wide_high_r-latin_wide_low_r)/2)
150     shifted (centre_pt*(50,0));
151   bq[sp]:=(1.6,1.6)-(1.6,1.6)-(1.6,1.6)-(1.6,1.6)-(1.6,1.6);
152
153   sp:=sp*1;
154 enddef;

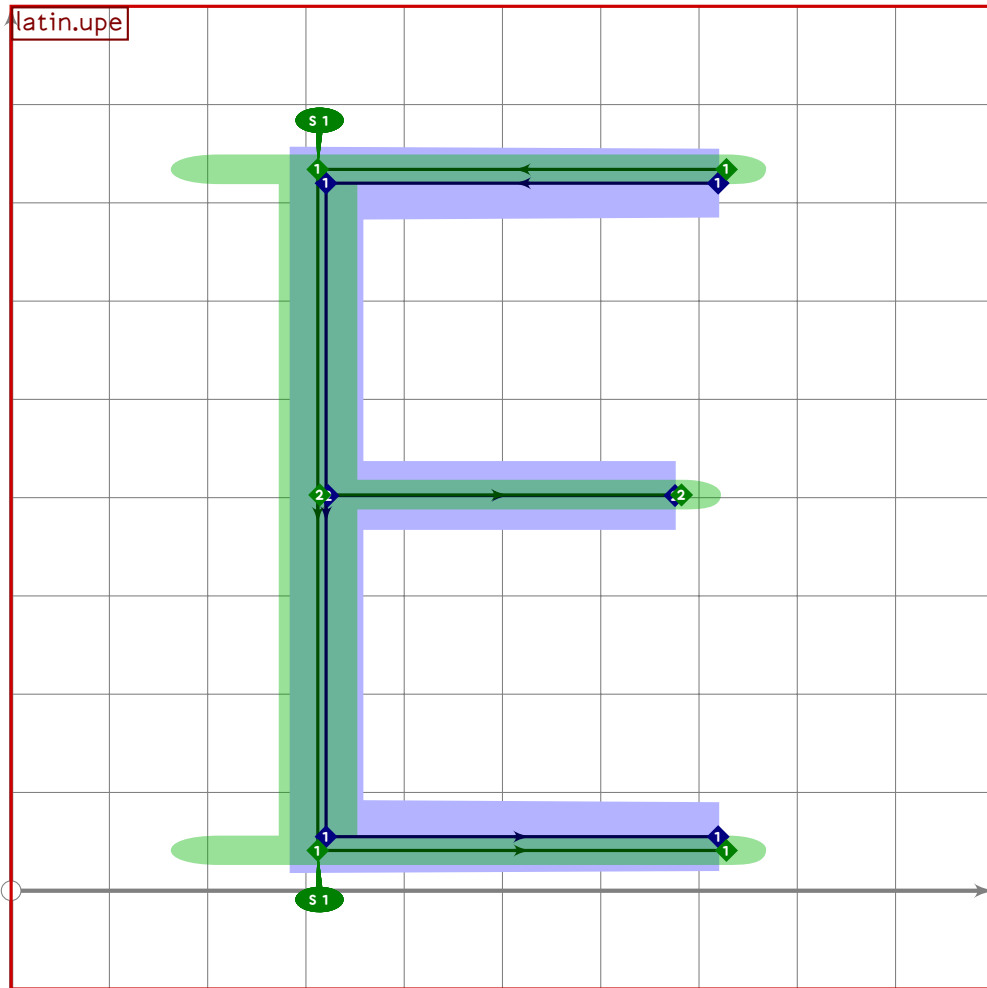
```



```

155
156 vardef tsu_curve.latin.upd =
157   add_proof_box("latin.upd");
158   y1=y5=latin_wide_high_h;
159   y2=y3=latin_wide_low_h;
160   y4=0.52[y2,y1];
161
162   (x1*x4)/2=510;
163   (x4-x1)=0.85*(y1-y2);
164   x1=x2;
165   x3=x5=0.35[x1,x4];
166
167   bp[sp]:=z4..{left}z5-z1-z2-z3{right}..cycle;
168   bq[sp]:=(1.6,1.6)-(1.6,1.6)-(1.6,1.6)-(1.6,1.6)-(1.6,1.6)-cycle;
169   bo_tip[sp][2]:=1;
170   bo_tip[sp][3]:=1;
171   bo_serif[sp][2]:=1;
172   bo_serif[sp][3]:=1;
173
174   sp:=sp*1;
175 enddef;

```

```

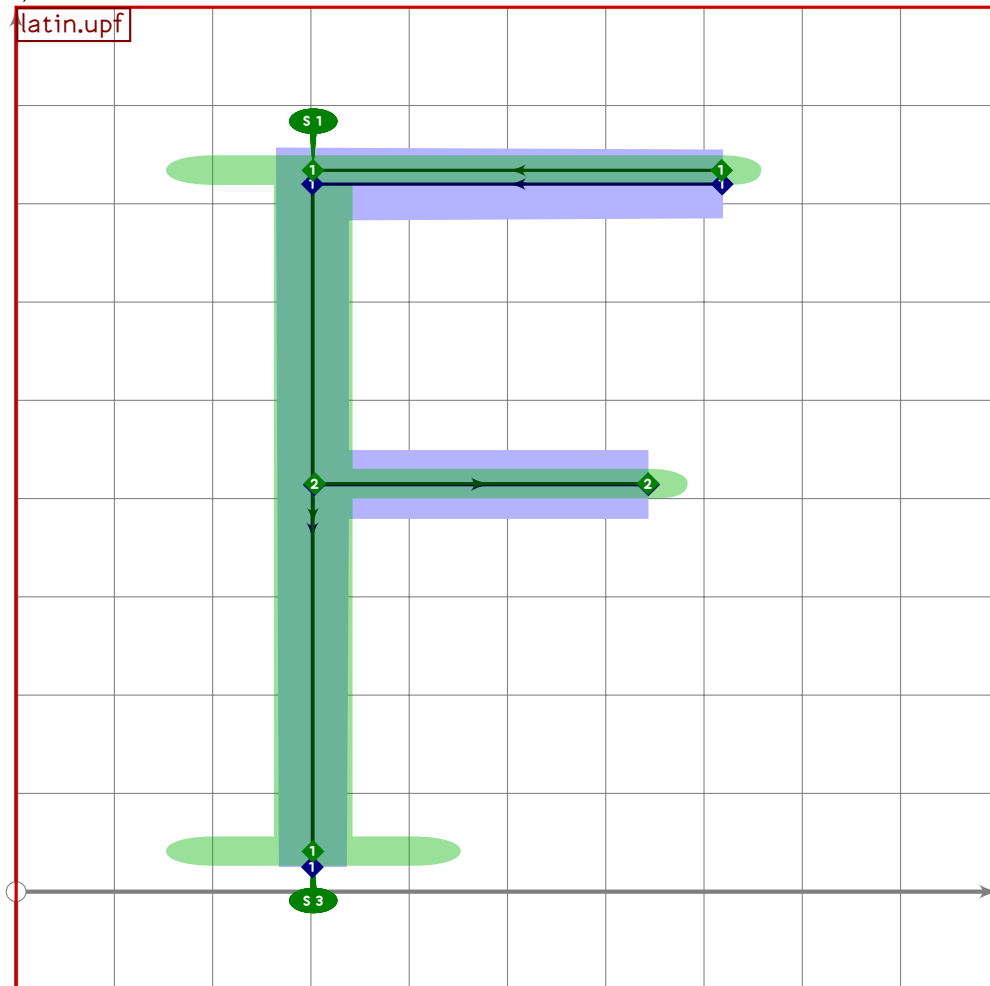
184
185 vardef tsu_curve.latin.upe =
186   add_proof_box("latin.upe");
187   y1=y2=latin_wide_high_h;
188   y3=y4=latin_wide_low_h;
189   y5=y6=vmetric(0.522);
190
191   (x1+x2)/2=520;
192   x2=x3;
193   x1=x4;
194   x5=x2*2;
195   x6=0.89[x2,x1];
196   (x1-x2)=(y2-y3)*0.6;
197
198   bp[sp]:=z1-z2-z3-z4;
199   bq[sp]:=(1.6,1.6)-(1.6,1.6)-(1.6,1.6)-(1.6,1.6);
200   bo_tip[sp][1]:=1;
201   bo_tip[sp][2]:=1;
202   bo_serif[sp][1]:=1;
203   bo_serif[sp][2]:=1;
204

```

```

205 bp[sp*1]:=z5-z6;
206 bq[sp*1]:=(1.6,1.6)-(1.6,1.6);
207
208 sp:=sp*2;
209 enddef;

```



```

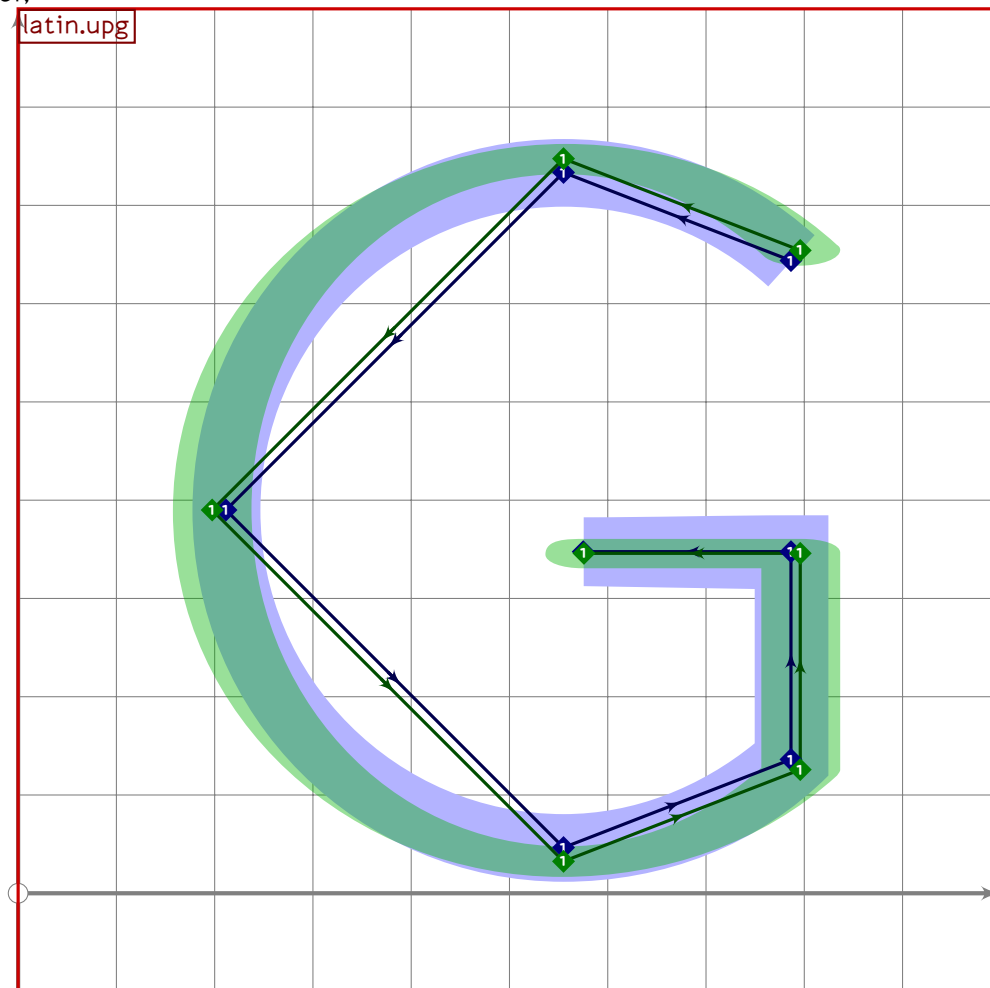
210
211 vardef tsu_curve.latin.upf =
212   add_proof_box("latin.upf");
213   y1=y2=latin_wide_high_h;
214   y3=latin_wide_low_v;
215   y4=y5=vmetric(0.54);
216
217   (x1+x2)/2=510;
218   x3=x2;
219   x4=x2+2;
220   x5=0.82[x2,x1];
221   (x1-x2)=(y2-y3)*0.6;
222
223   bp[sp]:=z1-z2-z3;
224   bq[sp]:=(1.6,1.6)-(1.6,1.6)-(1.6,1.6);
225   bo_tip[sp][1]:=1;

```

```

226 bo_serif[sp][1]:=1;
227 bo_serif[sp][2]:=3;
228
229 bp[sp*1]:=z4-z5;
230 bq[sp*1]:=(1.6,1.6)-(1.6,1.6);
231
232 sp:=sp*2;
233 enddef;

```



```

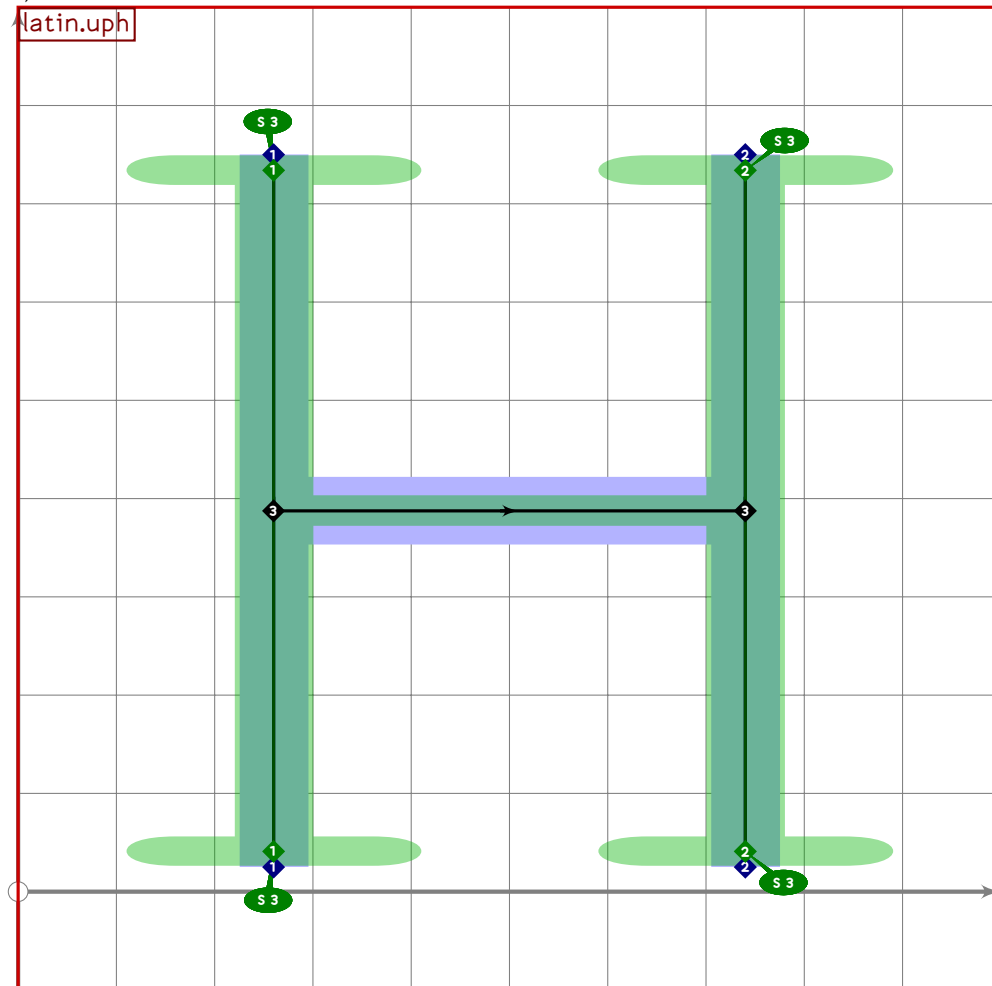
234
235 vardef tsu_curve.latin.upg =
236   add_proof_box("latin.upg");
237   bp[sp]:=(subpath (0.53,3.47) of ((1,0)..(0,1)..(-1,0)..(0,-1)..cycle))
238     scaled ((latin_wide_high_r-latin_wide_low_r)/2)
239     shifted (centre_pt*(55,0));
240
241   x1=xpart point 4 of bp[sp];
242   y1=y2=vmetric(0.44);
243   x1-x2=y1-(ypart point 4 of bp[sp])*1.0;
244
245   bp[sp]:=bp[sp]-z1-z2;
246   bq[sp]:=(1.6,1.6)-(1.6,1.6)-(1.6,1.6)-(1.6,1.6)-(1.6,1.6)-(1.6,1.6)-(1.6,1.6);

```

```

247 bo_tip[sp][4]:=1;
248 bo_tip[sp][5]:=1;
249
250 sp:=sp*1;
251 enddef;

```



```

252
253 vardef tsu_curve.latin.uph =
254   add_proof_box("latin.uph");
255   z1=(260,latin_wide_high_v);
256   z2=(740,latin_wide_high_v);
257   z3=(260,latin_wide_low_v);
258   z4=(740,latin_wide_low_v);
259
260   z5=whatever[z1,z3];
261   z6=whatever[z2,z4];
262   y5=y6=vmetric(0.5);
263
264   bp[sp]:=z1-z3;
265   bq[sp]:=(1.6,1.6)-(1.6,1.6);
266   bo_serif[sp][0]:=3;
267   bo_serif[sp][1]:=3;

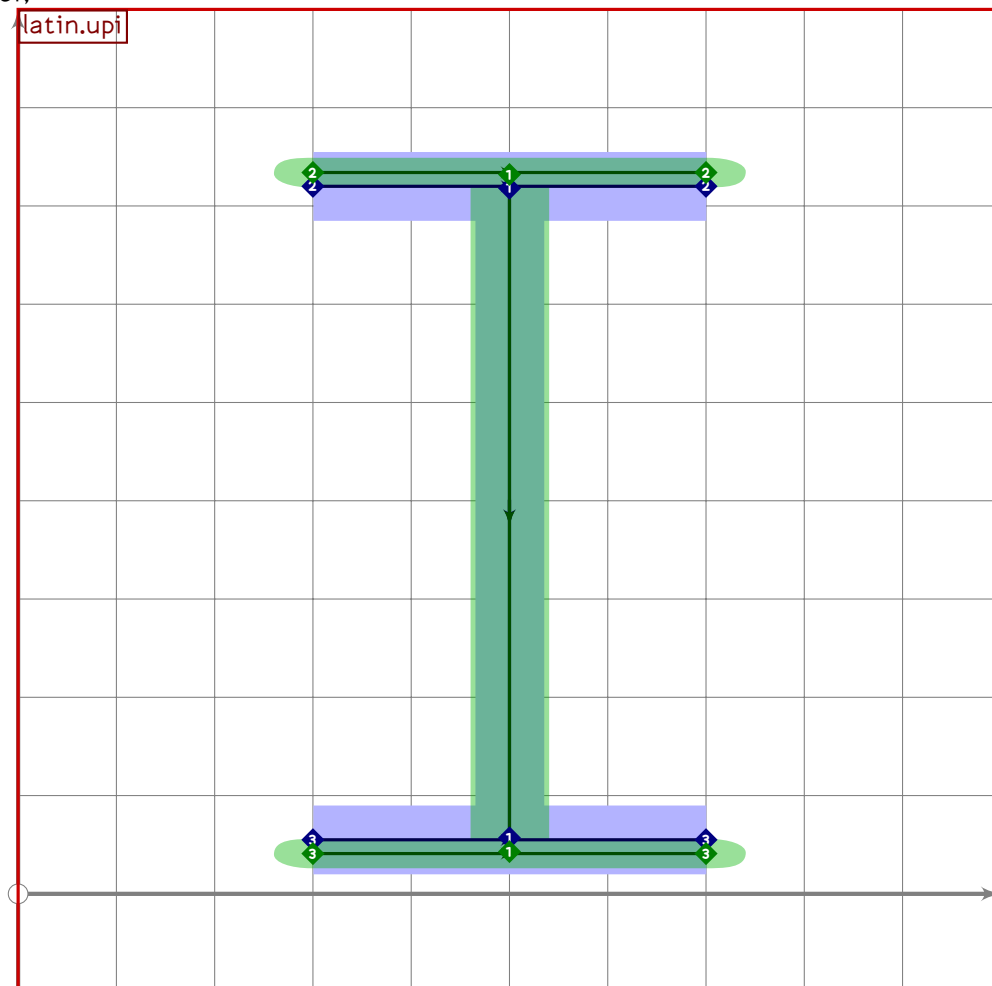
```



```

268
269 bp[sp*1]:=z2-z4;
270 bq[sp*1]:=(1.6,1.6)-(1.6,1.6);
271 bo_serif[sp*1][0]:=3;
272 bo_serif[sp*1][1]:=3;
273
274 bp[sp*2]:=z5-z6;
275 bq[sp*2]:=(1.6,1.6)-(1.6,1.6);
276
277 sp:=sp*3;
278 enddef;

```



```

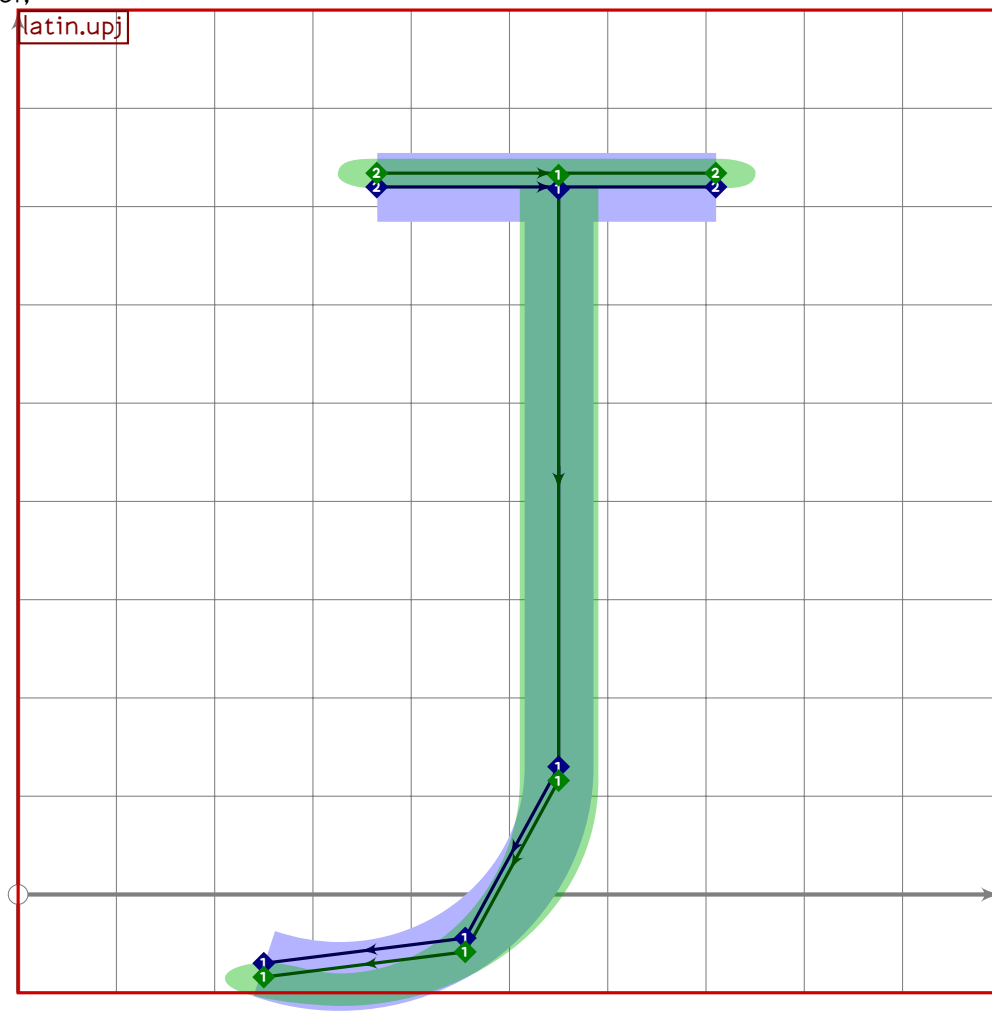
279
280 vardef tsu_curve.latin.upi =
281   add_proof_box("latin.upi");
282   bp[sp]:=(500,latin_wide_high_h*2)-(500,latin_wide_low_h*2);
283   bq[sp]:=(1.6,1.6)-(1.6,1.6);
284
285   bp[sp*1]:=(300,latin_wide_high_h)-(700,latin_wide_high_h);
286   bq[sp*1]:=(1.6,1.6)-(1.6,1.6);
287
288   bp[sp*2]:=(300,latin_wide_low_h)-(700,latin_wide_low_h);

```

```

289 bq[sp*2]:=(1.6,1.6)-(1.6,1.6);
290
291 sp:=sp*3;
292 enddef;

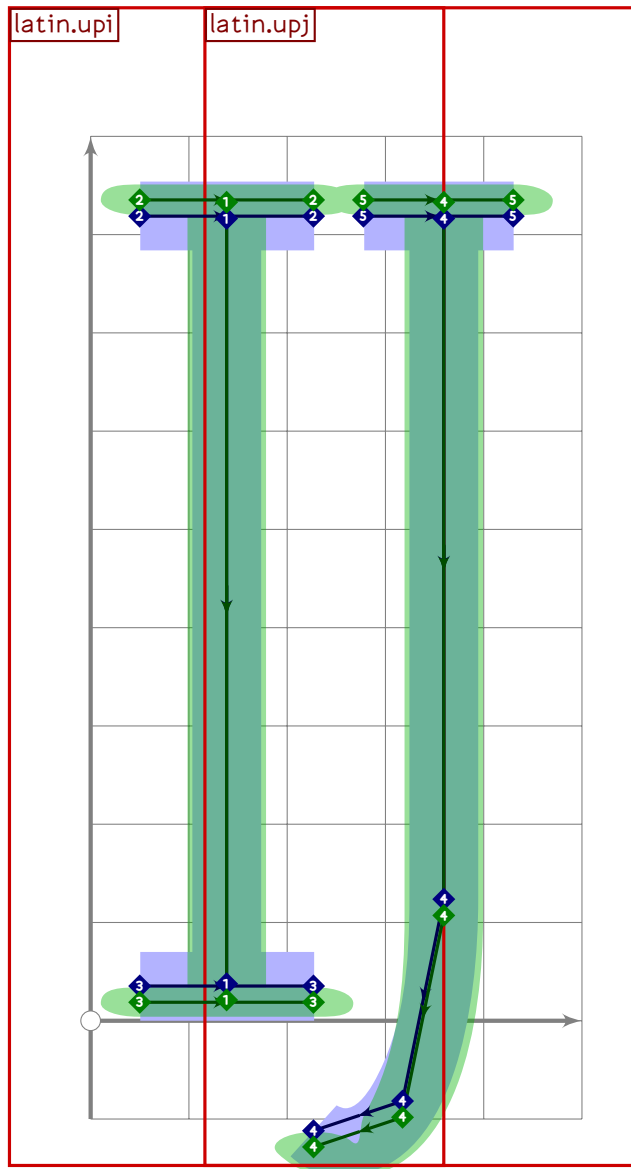
```



```

293
294 vardef tsu_curve.latin.upj =
295   add_proof_box("latin.upj");
296   z1=(550,latin_wide_high_h-2);
297   z2=(550,latin_wide_low_h*75);
298   z3=z2*(-300;200);
299
300   bp[sp]:=(z1-z2)..{curl 0.8}z3;
301   bp[sp]:=insert_nodes(bp[sp])(1.5);
302   bq[sp]:=(1.6,1.6)-(1.6,1.6)-(1.6,1.6)-(1.6,1.6);
303
304   bp[sp*1]:=(365,latin_wide_high_h)-(710,latin_wide_high_h);
305   bq[sp*1]:=(1.6,1.6)-(1.6,1.6);
306
307   sp:=sp*2;
308 enddef;

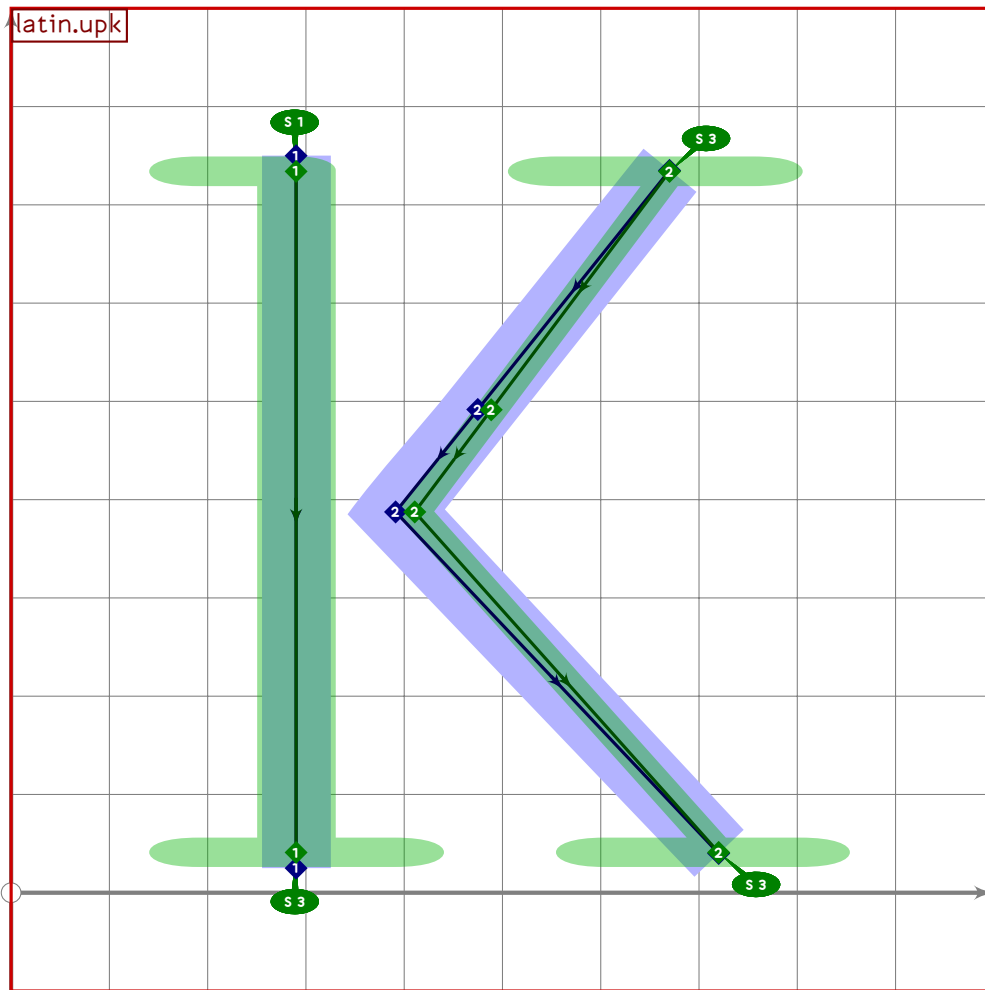
```



```

309
310 vardef tsu_curve.latin.upij =
311   add_proof_box("latin.upij");
312   tsu_xform(identity shifted (-250,0))(tsu_curve.latin.upi);
313   tsu_xform(identity shifted (200,0))(tsu_curve.latin.upj);
314 enddef;

```



```

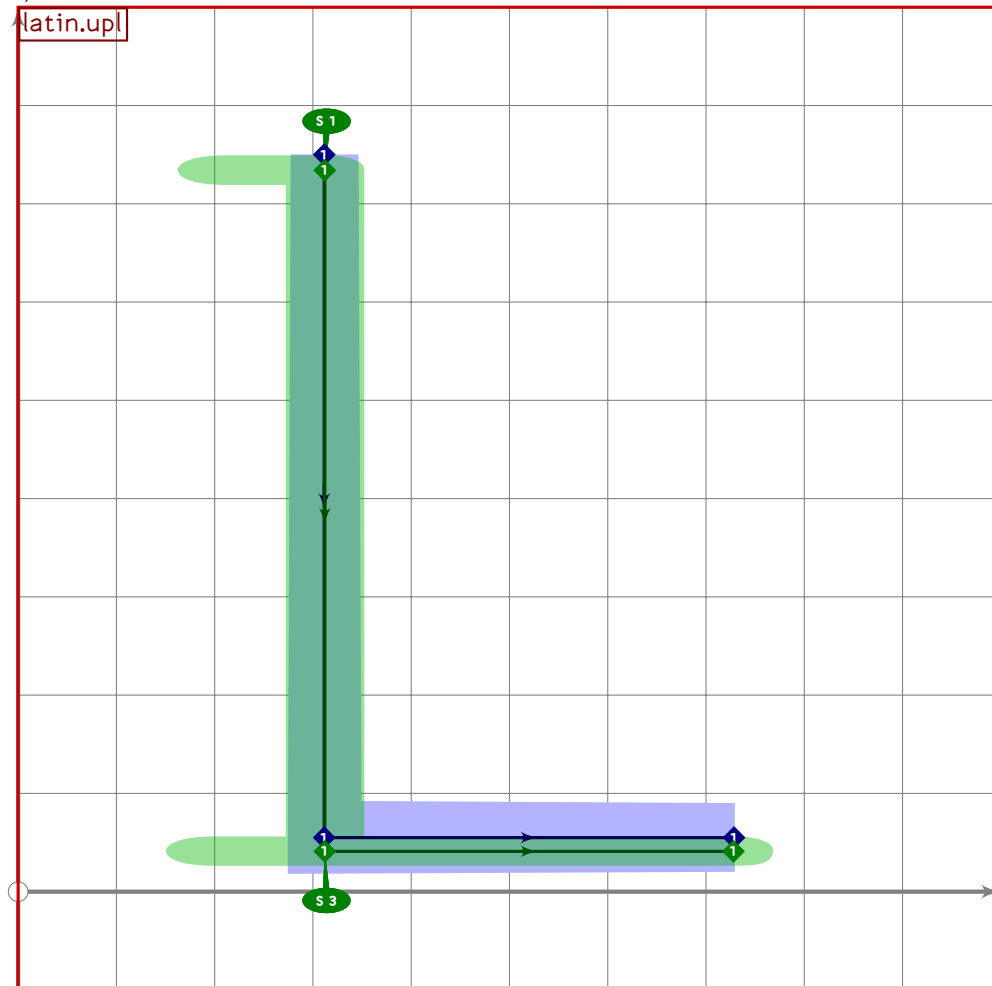
315
316 vardef tsu_curve.latin.upk =
317   add_proof_box("latin.upk");
318   z1=(290,latin_wide_high_v);
319   z2=(290,latin_wide_low_v);
320   z3=(670,0.5[latin_wide_high_h,latin_wide_high_v]);
321   x4=290*mbrush_width*if sharp_corners: 2.7 else: 2.3 fi;
322   y4=vmetric(0.5);
323   z5=(720,0.5[latin_wide_low_h,latin_wide_low_v]);
324
325   bp[sp]:=z1-z2;
326   bq[sp]:=(1.6,1.6)-(1.6,1.6);
327   bo_serif[sp][0]:=1;
328   bo_serif[sp][1]:=3;
329
330   bp[sp*1]:=z3-(0.7[z3,z4])-z4-z5;
331   bq[sp*1]:=(1.6,1.6)-(1.6,1.6)-(1.6,1.6)-(1.6,1.6);
332   bo_tip[sp*1][2]:=1;
333   if do_alteration:
334     bo_alterate[sp*1]:=true;
335     bo_serif[sp*1][0]:=3;

```

```

336 bo_serif[sp*1][3]:=3;
337 fi;
338
339 sp:=sp*2;
340 enddef;

```

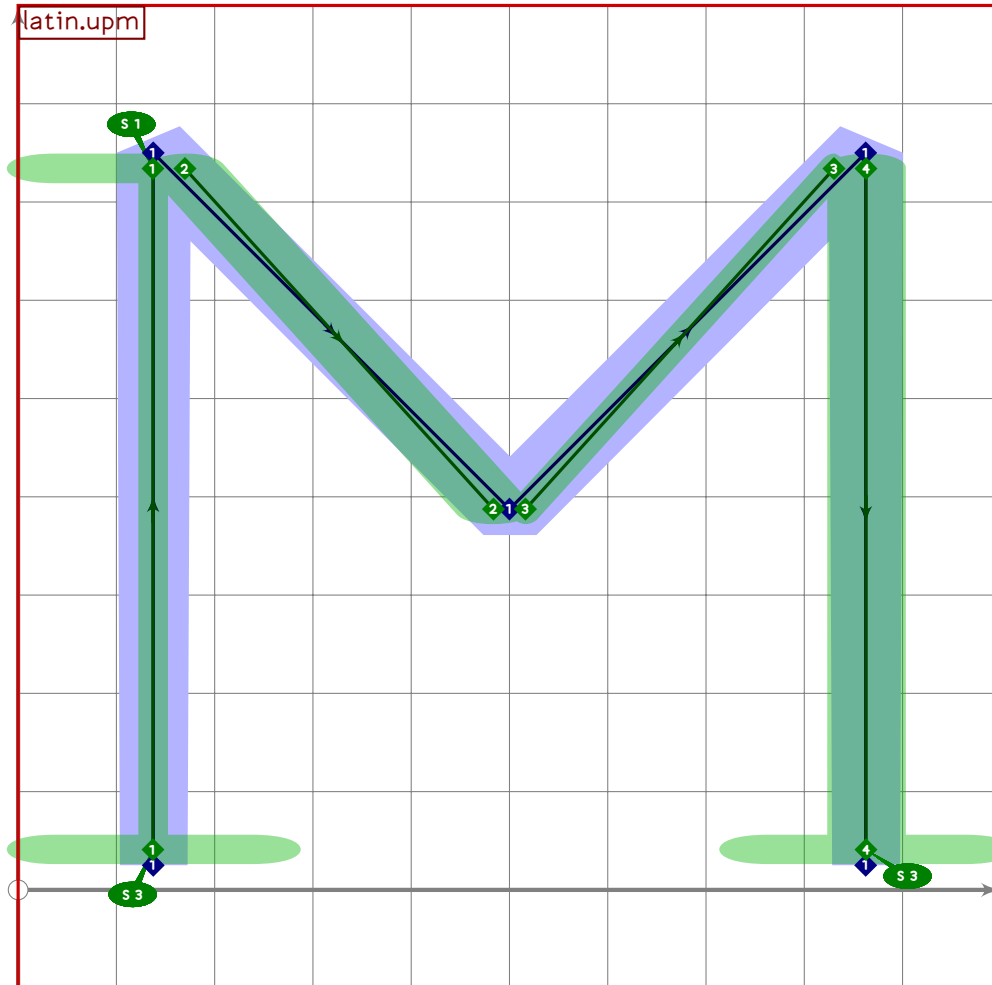


```

341
342 vardef tsu_curve.latin.upl =
343   add_proof_box("latin.upl");
344   y1=latin_wide_high_v;
345   y2=y3=latin_wide_low_h;
346   x1=x2;
347   (x1+x3)/2=520;
348   (x3-x1)=(y1-y2)*0.6;
349
350   bp[sp]:=z1-z2-z3;
351   bq[sp]:=(1.6,1.6)-(1.6,1.6)-(1.6,1.6);
352   bo_tip[sp][1]:=1;
353   bo_serif[sp][0]:=1;
354   bo_serif[sp][1]:=3;
355
356   sp:=sp*1;

```

357 endif;



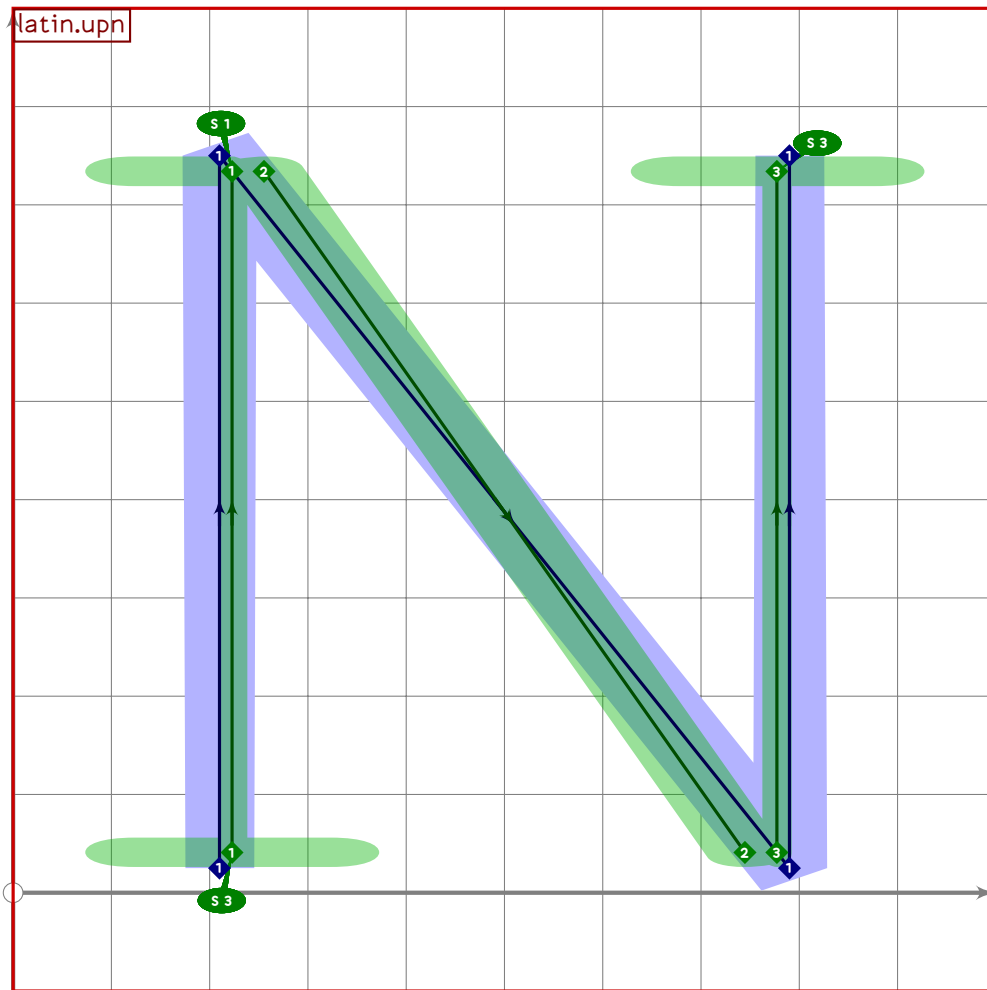
358

```
359 vardef tsu_curve.latin.upm =  
360   add_proof_box("latin.upm");  
361   y1=y5=latin_wide_low_v;  
362   y2=y4=latin_wide_high_v;  
363   y3=(y1+y2)/2;  
364  
365   if do_alteration:  
366     x1=x2;  
367     x3=500*alternate_adjust/2;  
368     x4=x5;  
369     (x3-x1)=(x5-x3);  
370  
371     (x5-x1)=(y2-y1);  
372  
373     bp[sp]:=(z1-z2) shifted (alternate_adjust*left);  
374     bq[sp]:=(1.6,1.6)-(1.6,1.6);  
375     bo_serif[sp][0]:=3;  
376     bo_serif[sp][1]:=1;  
377     bo_alterate[sp]:=true;
```

```

378
379     bp[sp*1]:=z2-(z3*alternate_adjust*left);
380     bq[sp*1]:=(1.6,1.6)-(1.6,1.6);
381
382     bp[sp*2]:=z3-(z4*alternate_adjust*left);
383     bq[sp*2]:=(1.6,1.6)-(1.6,1.6);
384     bo_alternate[sp*2]:=true;
385
386     bp[sp*3]:=z4-z5;
387     bq[sp*3]:=(1.6,1.6)-(1.6,1.6);
388     bo_serif[sp*3][1]:=3;
389
390     sp:=sp*4;
391 else:
392     x1=x2;
393     x3=500;
394     x4=x5;
395     (x3-x1)=(x5-x3);
396
397     (x5-x1)=(y2-y1);
398
399     bp[sp]:=z1-z2-z3-z4-z5;
400     bq[sp]:=(1.6,1.6)-(1.6,1.6)-(1.6,1.6)-(1.6,1.6)-(1.6,1.6);
401     bo_tip[sp][1]:=0;
402     bo_tip[sp][2]:=0;
403     bo_tip[sp][3]:=0;
404     bo_serif[sp][0]:=3;
405     bo_serif[sp][1]:=1;
406     bo_serif[sp][4]:=3;
407
408     sp:=sp*1;
409 fi;
410 enddef;

```



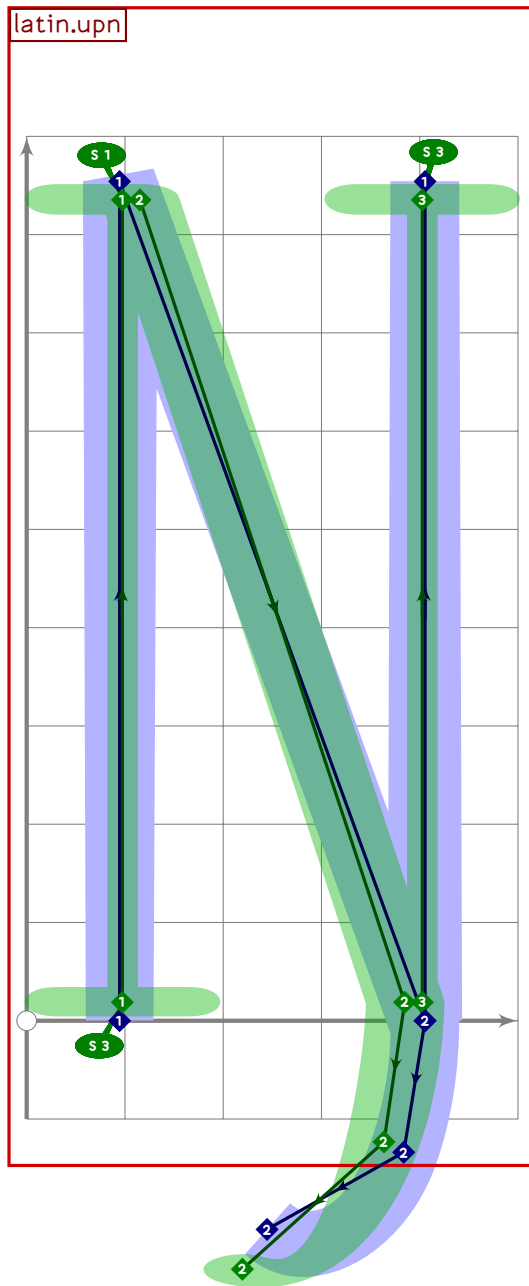
```

411
412 vardef tsu_curve.latin.upn =
413   add_proof_box("latin.upn");
414   y1=y3=latin_wide_low_v;
415   y2=y4=latin_wide_high_v;
416
417   x1=x2;
418   x3=x4;
419   (x1+x3)/2=500;
420   (x3-x1)=(y2-y1)*4/5;
421
422   if do_alteration:
423     bp[sp]:=z1-z2;
424     bq[sp]:=(1.6,1.6)-(1.6,1.6);
425     bo_serif[sp][0]:=3;
426     bo_serif[sp][1]:=1;
427     bo_alterate[sp]:=true;
428
429     bp[sp*1]:=(z2*alternate_adjust*right)-(z3*alternate_adjust*left);
430     bq[sp*1]:=(1.6,1.6)-(1.6,1.6);
431

```



```
432     bp[sp*2]:=z3-z4;
433     bq[sp*2]:=(1.6,1.6)-(1.6,1.6);
434     bo_serif[sp*2][1]:=3;
435     bo_alternate[sp*2]:=true;
436
437     sp:=sp*3;
438 else:
439     bp[sp]:=z1-z2-z3-z4;
440     bq[sp]:=(1.6,1.6)-(1.6,1.6)-(1.6,1.6)-(1.6,1.6);
441     bo_tip[sp][1]:=0;
442     bo_tip[sp][2]:=0;
443     bo_serif[sp][0]:=3;
444     bo_serif[sp][1]:=1;
445     bo_serif[sp][3]:=3;
446
447     sp:=sp*1;
448 fi;
449 endif;
```



```

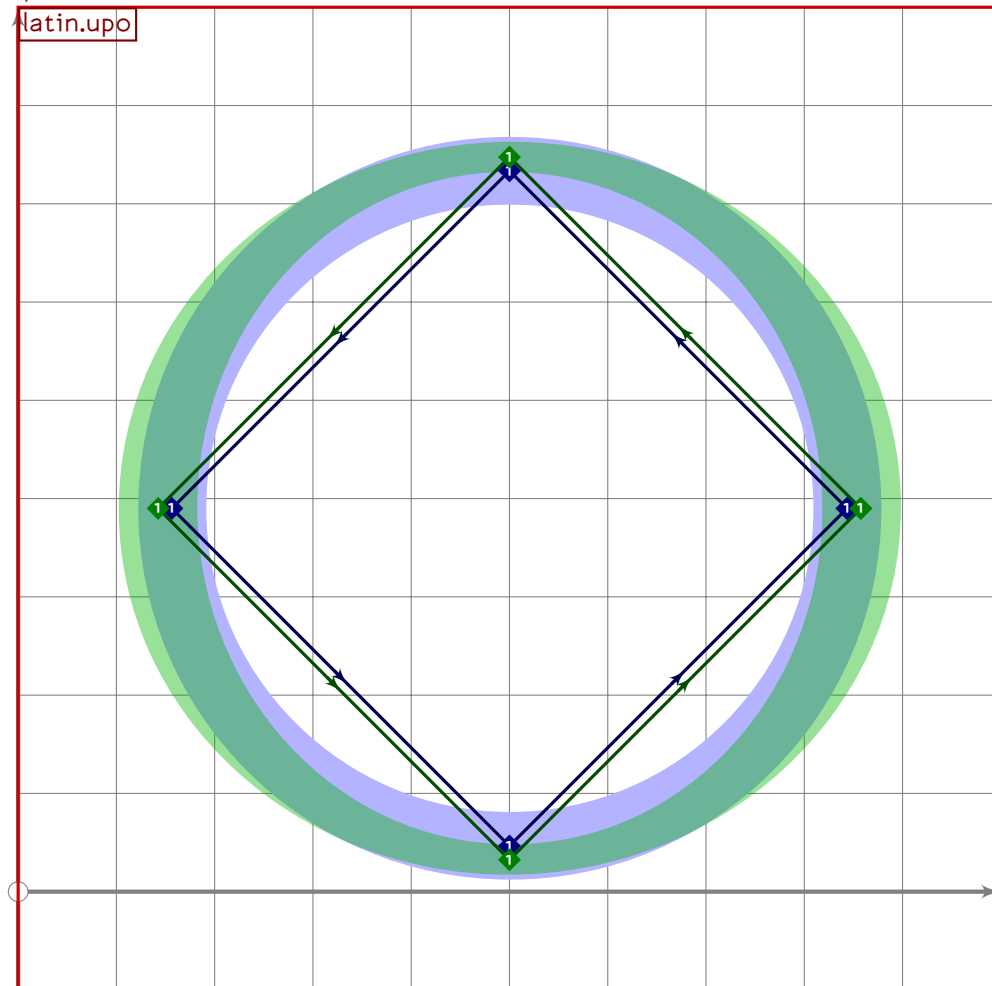
450
451 vardef tsu_curve.latin.upeng =
452   add_proof_box("latin.upeng");
453   tsu_curve.latin.upn;
454   y5=latin_wide_desc_h;
455   if do_alteration:
456     x5=x3-alternate_adjust-300;
457     bp[sp-2]:=bp[sp-2]{dir 268}..{curl 0.8}z5;
458     bp[sp-2]:=insert_nodes(bp[sp-2])(1.3);
459     bq[sp-2]:=bq[sp-2]-(1.6,1.6)-(1.6,1.6);
460   else:
461     x5=x3-300;
462     bp[sp]:=z3{dir 268}..{curl 0.8}z5;

```

```

463 bp[sp]:=insert_nodes(bp[sp])(0.3);
464 bq[sp]:=(1.6,1.6)-(1.6,1.6);
465 sp:=sp*1;
466 fi;
467 enddef;

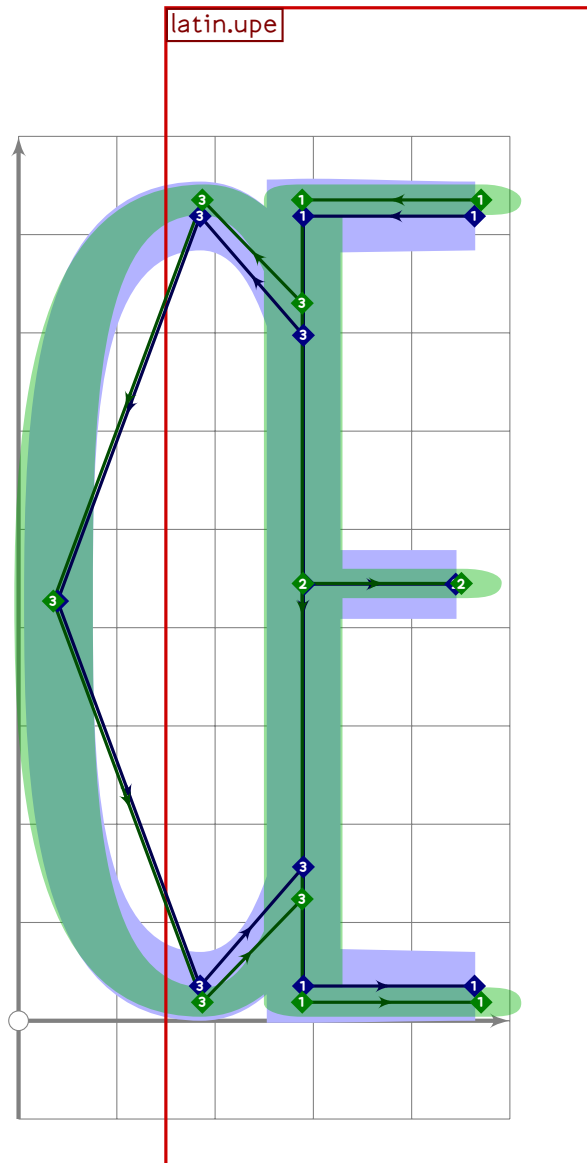
```



```

468
469 vardef tsu_curve.latin.upo =
470   add_proof_box("latin.upo");
471   bp[sp]:=((1,0)..(0,1)..(-1,0)..(0,-1)..cycle)
472     scaled ((latin_wide_high_r-latin_wide_low_r)/2)
473     shifted centre_pt;
474   bq[sp]:=(1.6,1.6)-(1.6,1.6)-(1.6,1.6)-(1.6,1.6)-cycle;
475
476   sp:=sp*1;
477 enddef;

```



```

478
479 vardef tsu_curve.latin.upoe =
480   add_proof_box("latin.upoe");
481   tsu_xform(identity shifted (280,0))(tsu_curve.latin.upe);
482   bo_serif[sp-2][1]:=whatever;
483   bo_serif[sp-2][2]:=whatever;
484   bp[sp]:=((1,0)..(0,1)..(-1,0)..(0,-1)..(1,0))
485     scaled ((latin_wide_high_h-latin_wide_low_h)/2)
486     shifted (360,0.5[latin_wide_high_h,latin_wide_low_h]);
487   bp[sp]:=subpath (xpart (bp[sp] intersectiontimes bp[sp-2]),
488     4-xpart ((reverse bp[sp]) intersectiontimes bp[sp-2]))
489     of bp[sp];
490   bq[sp]:=(1.2,1.2)-(1.6,1.6)-(1.6,1.6)-(1.2,1.2);
491   sp:=sp*1;
492 enddef;
493

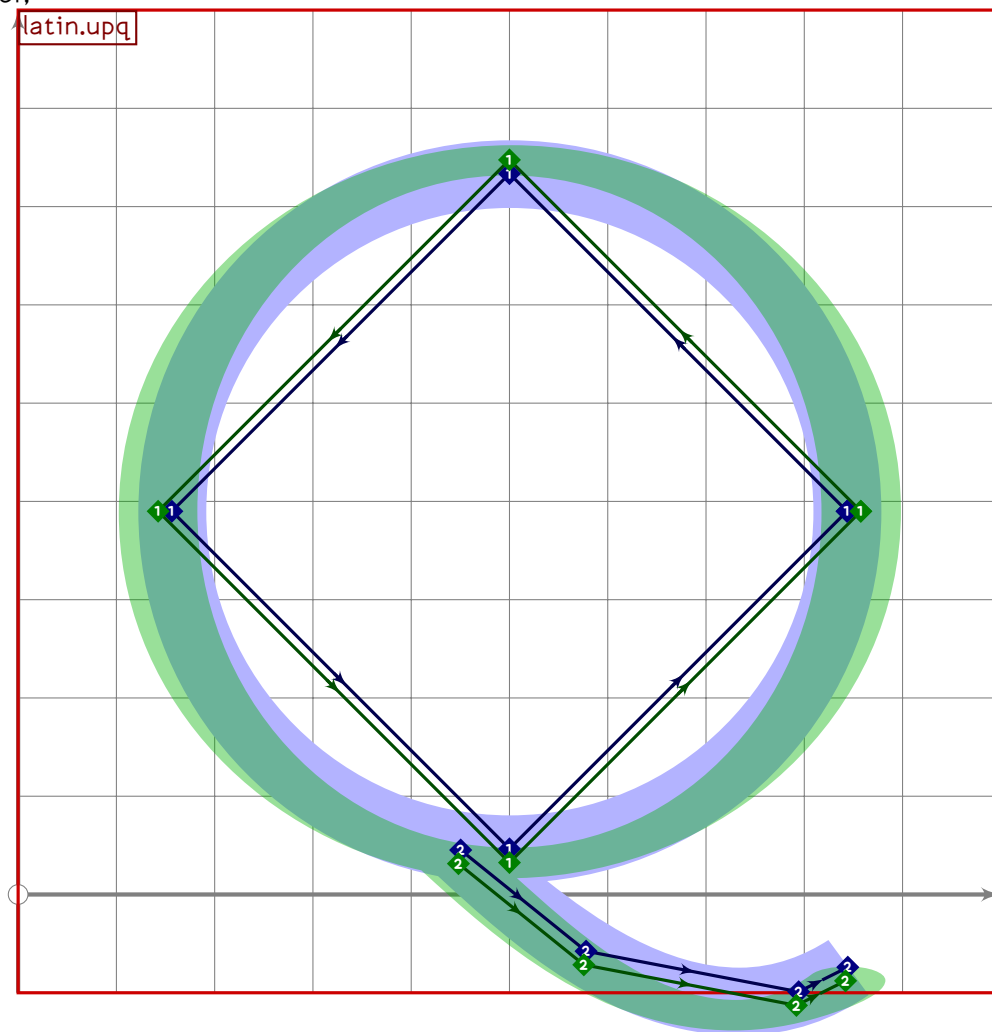
```



```

515 bo_serif[sp][5]:=3;
516
517 sp:=sp*1;
518 enddef;

```

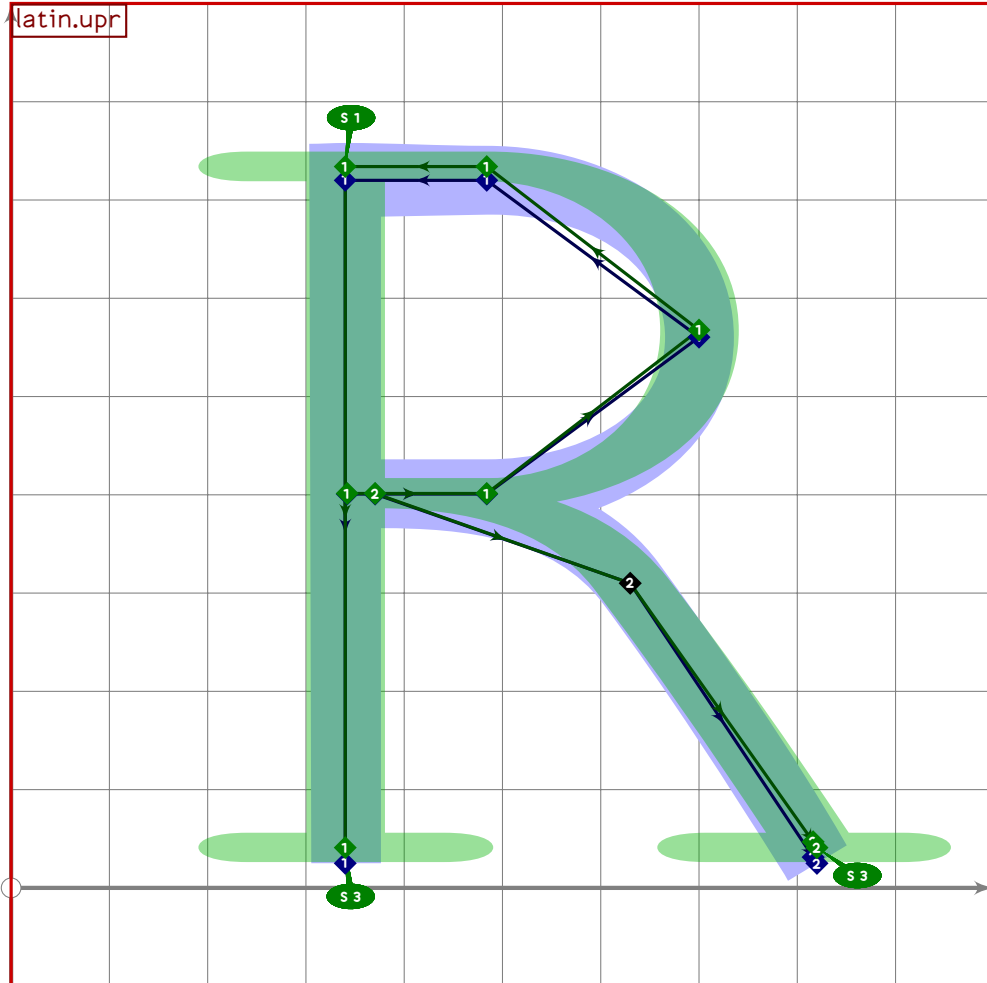


```

519
520 vardef tsu_curve.latin.upq =
521   add_proof_box("latin.upq");
522   bp[sp]:=((1,0)..(0,1)..(-1,0)..(0,-1)..cycle)
523     scaled ((latin_wide_high_r-latin_wide_low_r)/2)
524     shifted centre_pt;
525   bq[sp]:=(1.6,1.6)-(1.6,1.6)-(1.6,1.6)-(1.6,1.6)-cycle;
526
527   z1=point 2.9 of bp[sp];
528   z2=z1*(350,-150);
529   z3=z2*(50,25);
530   bp[sp*1]:=subpath (0.02,2) of (z1{curl 0}..z2..z3);
531   bp[sp*1]:=insert_nodes(bp[sp*1])(0.4);
532   bq[sp*1]:=(1.6,1.6)-(1.6,1.6)-(1.6,1.6)-(1.6,1.6);
533
534   sp:=sp*2;

```

535 enddef;

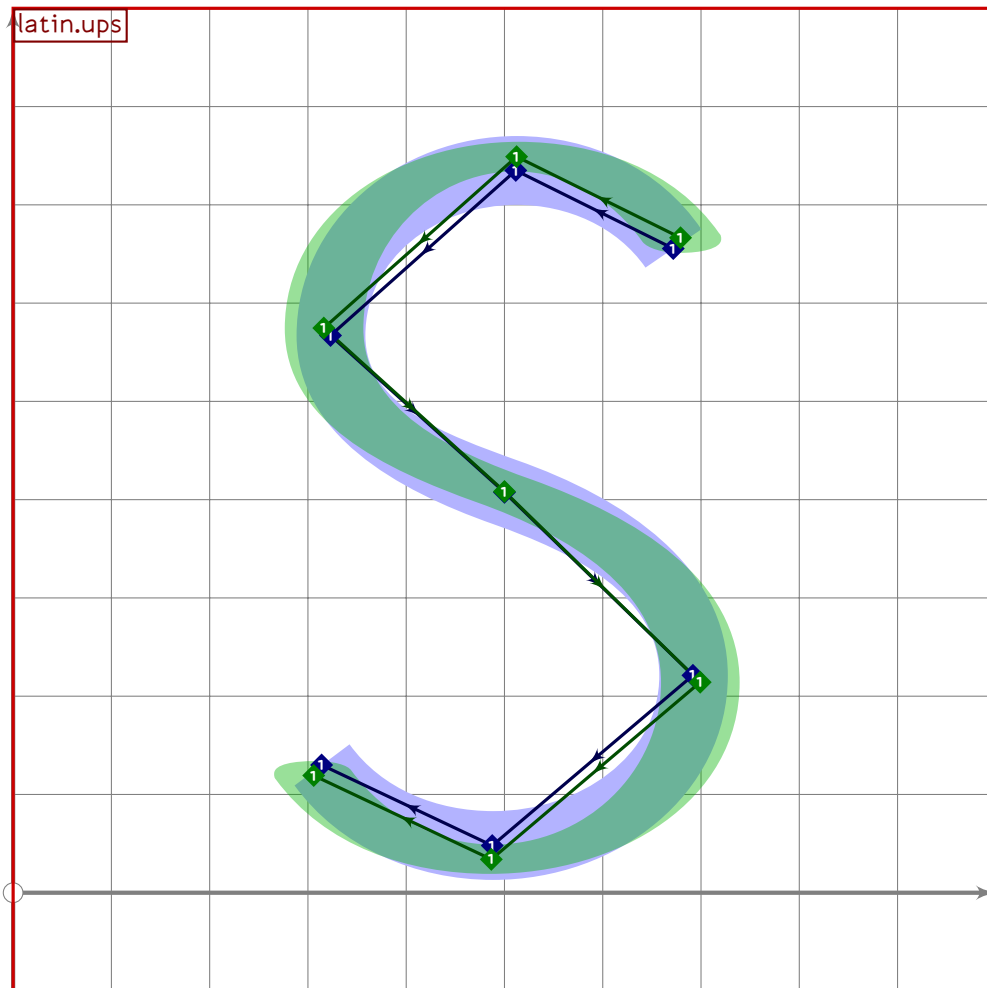


536

```

537 vardef tsu_curve.latin.upr =
538   add_proof_box("latin.upr");
539   tsu_curve.latin.upp_base(a,360);
540   bp[sp]:=(bp[sp]-(xpart point infinity of bp[sp],latin_wide_low_v));
541   bq[sp]:=bq[sp]-(1.6,1.6);
542   bo_tip[sp][4]:=1;
543   bo_serif[sp][4]:=1;
544   bo_serif[sp][5]:=3;
545
546   bp[sp*1]:=(point 0.2 of bp[sp]){right}..(630,310)..
547     tension 3..(820,latin_wide_low_v);
548   bp[sp*1]:=insert_nodes(bp[sp*1])(1.95);
549   bq[sp*1]:=(1.6,1.6)-(1.6,1.6)-(1.6,1.6)-(1.6,1.6);
550   bo_serif[sp*1][3]:=3;
551
552   sp:=sp*2;
553 enddef;

```



```

554
555 vardef tsu_curve.latin.ups =
556   add_proof_box("latin.ups");
557   transform ta,tb;
558   path mycurve;
559
560   mycurve:=(1,0)..(0,1)..(-1,0);
561
562   y2=latin_wide_high_r;
563   y0=y3=vmetric(0.77);
564   y4=vmetric(0.53);
565   y5=y8=vmetric(0.25);
566   y6=latin_wide_low_r;
567
568   0.48[x1,x7]=0.48[x2,x6]=0.48[x3,x5]=x4=500;
569   x5-x1=20;
570   x5-x7=(y2-y6)*0.55;
571
572   (point 0 of mycurve) transformed ta=z0;
573   (point 0.35 of mycurve) transformed ta=z1;
574   (point 1 of mycurve) transformed ta=z2;

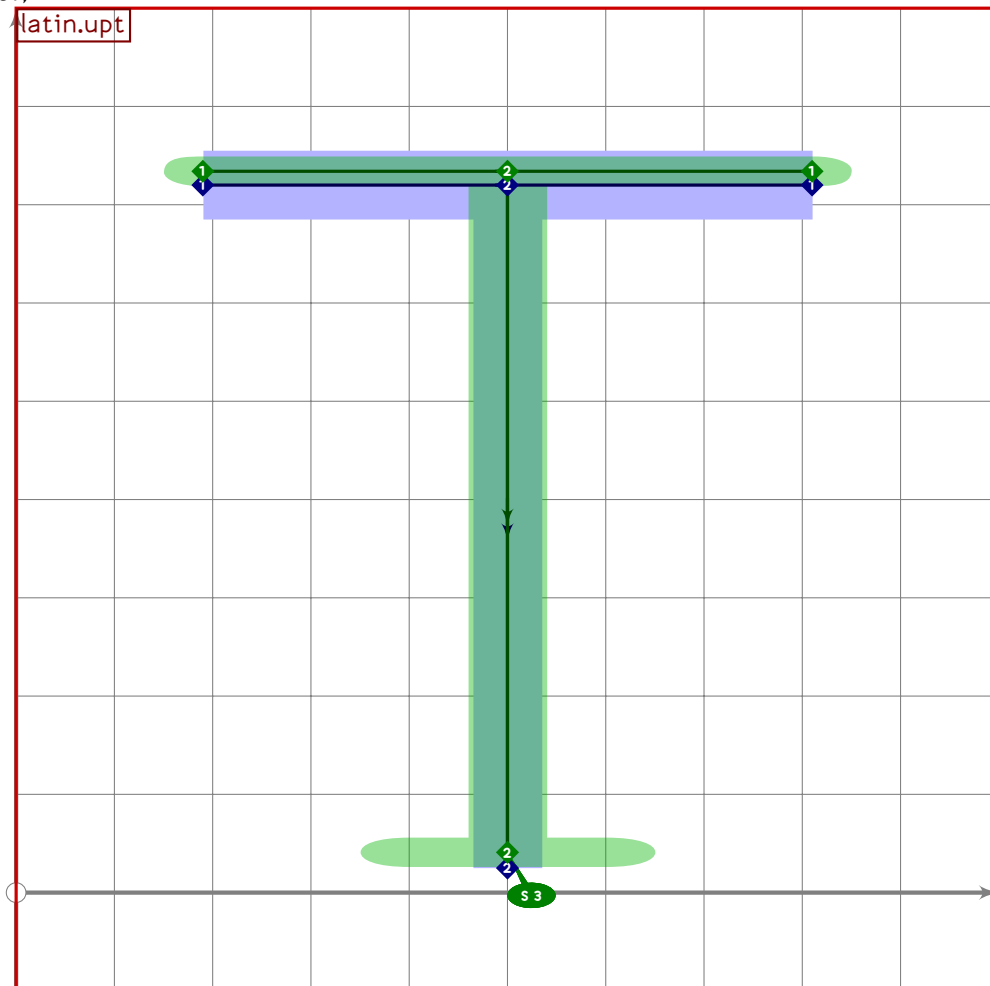
```



```

575 (point 2 of mycurve) transformed ta=z3;
576 xypart ta=0;
577
578 (point 0 of mycurve) transformed tb=z8;
579 (point 0.35 of mycurve) transformed tb=z7;
580 (point 1 of mycurve) transformed tb=z6;
581 (point 2 of mycurve) transformed tb=z5;
582
583 mycurve:=subpath (0.35,2) of mycurve;
584
585 bp[sp]:=(mycurve transformed ta)..z4..(reverse mycurve transformed tb);
586 bq[sp]:=(1.6,1.6)-(1.6,1.6)-(1.6,1.6)-(1.6,1.6)-(1.6,1.6)-(1.6,1.6)-(1.6,1.6);
587
588 sp:=sp*1;
589 enddef;

```



```

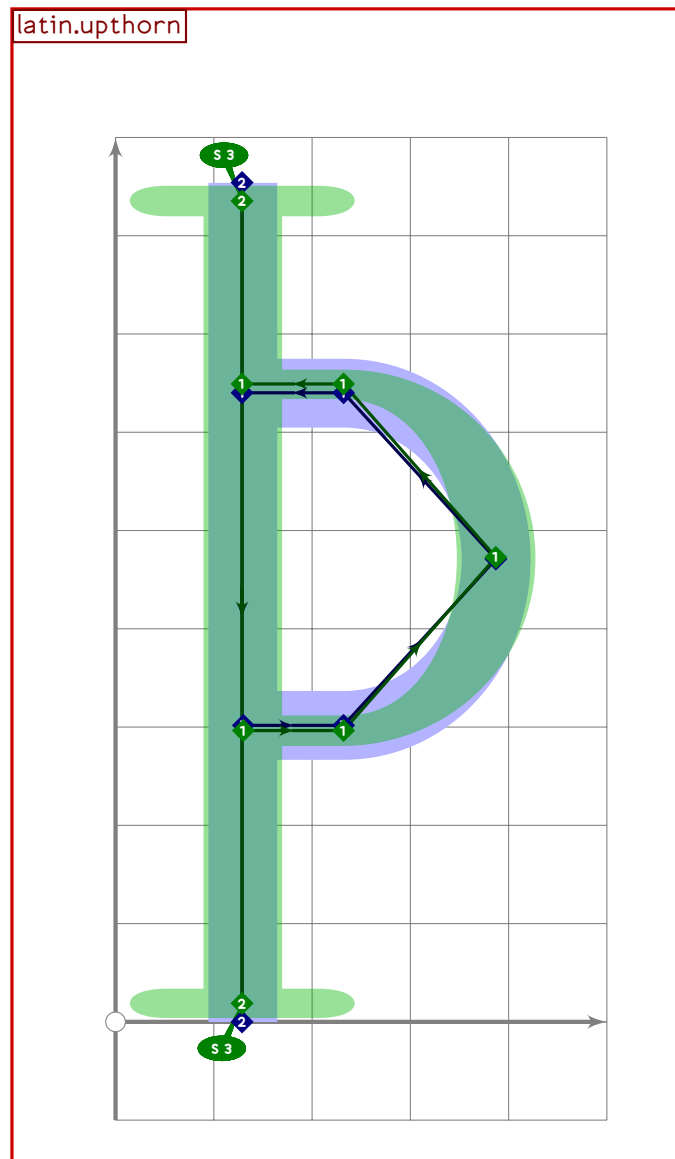
590
591 vardef tsu_curve.latin.upt =
592   add_proof_box("latin.upt");
593   z1=(190,latin_wide_high_h);
594   z2=(500,latin_wide_high_h);
595   z3=(810,latin_wide_high_h);

```

```

596 z4=(500,latin_wide_low_v);
597
598 bp[sp]:=z1-z3;
599 bq[sp]:=(1.6,1.6)-(1.6,1.6);
600
601 bp[sp*1]:=z2-z4;
602 bq[sp*1]:=(1.6,1.6)-(1.6,1.6);
603 bo_serif[sp*1][1]:=3;
604
605 sp:=sp*2;
606 enddef;

```



```

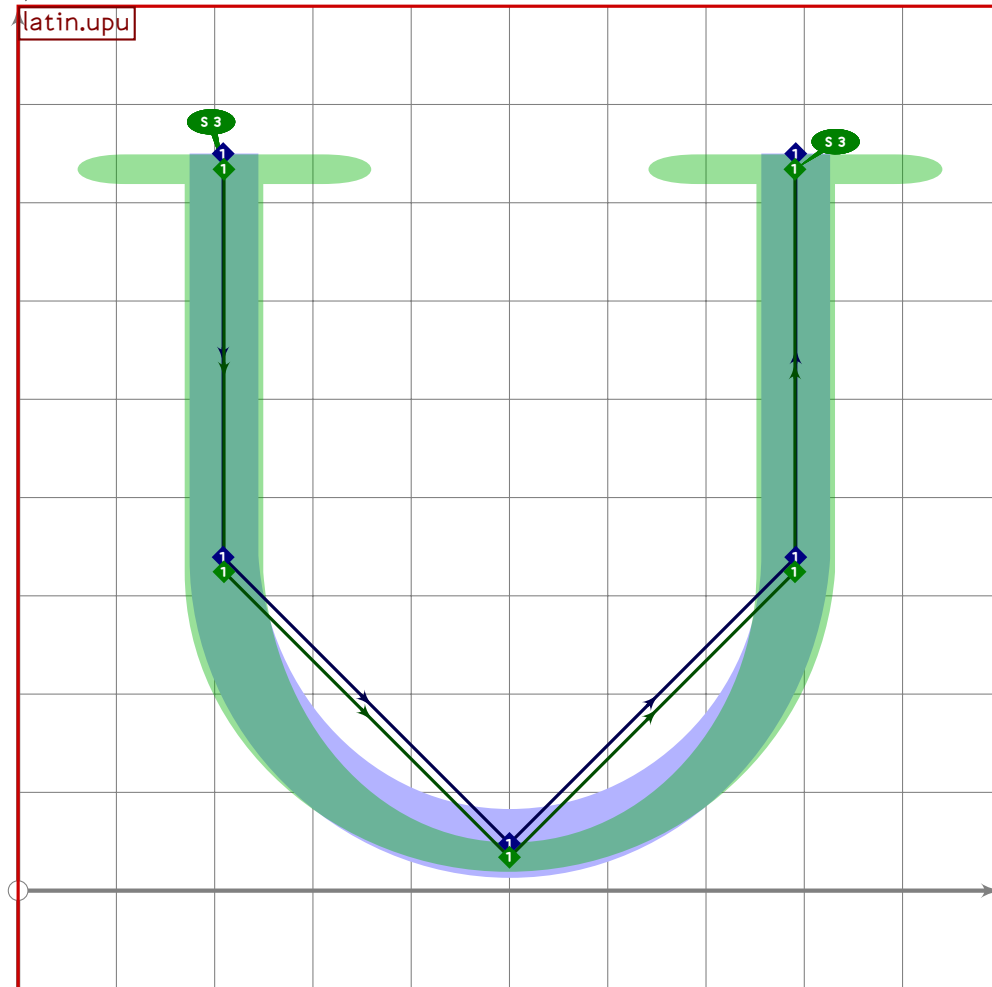
607
608 vardef tsu_curve.latin.upthorn =
609   add_proof_box("latin.upthorn");
610   tsu_curve.latin.upp_base(a,375);
611   bp[sp]:=bp[sp]

```

```

612 shifted (-llcorner bp[sp]) yscaled 0.9
613 shifted ((llcorner bp[sp])*(0,vmetric(0)-vmetric(0.18)));
614 bp[sp*1]:=(xpart point infinity of bp[sp],latin_wide_high_v)
615 -(xpart point infinity of bp[sp],latin_wide_low_v);
616 bq[sp*1]:=(1.6,1.6)-(1.6,1.6);
617 bo_serif[sp*1][0]:=3;
618 bo_serif[sp*1][1]:=3;
619
620 sp:=sp*2;
621 enddef;

```



```

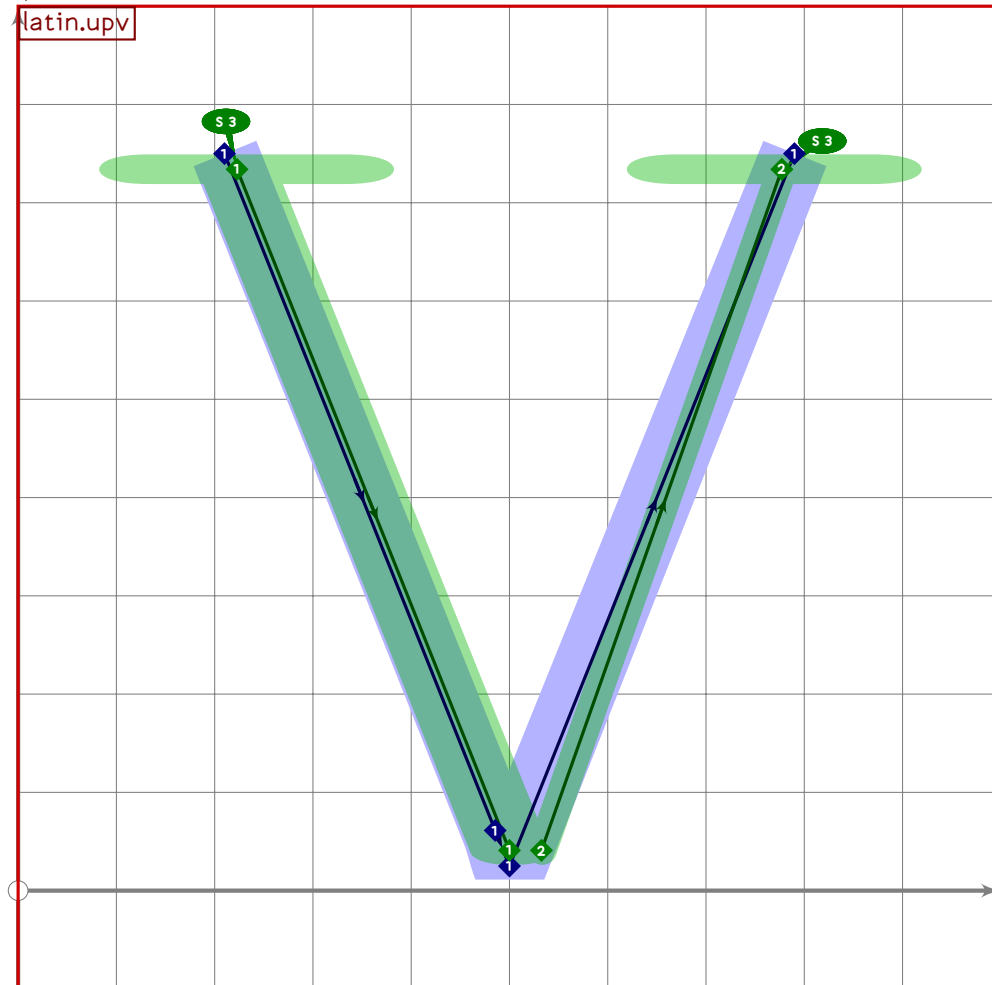
622
623 vardef tsu_curve.latin.upu =
624   add_proof_box("latin.upu");
625   x1=x2;
626   x3=500;
627   x4=x5;
628   (x1+x5)/2=x3;
629   (x5-x1)=(y1-y3)*0.83;
630
631   y1=y5=latin_wide_high_v;
632   y2=y4;

```

```

633 y2-y3=x3-x2;
634 y3=latin_wide_low_r;
635
636 bp[sp]:=z1-z2{dir 274}..z3..{dir 86}z4-z5;
637 bq[sp]:=(1.6,1.6)-(1.6,1.6)-(1.6,1.6)-(1.6,1.6)-(1.6,1.6);
638 bo_serif[sp][0]:=3;
639 bo_serif[sp][4]:=3;
640
641 sp:=sp*1;
642 enddef;

```



```

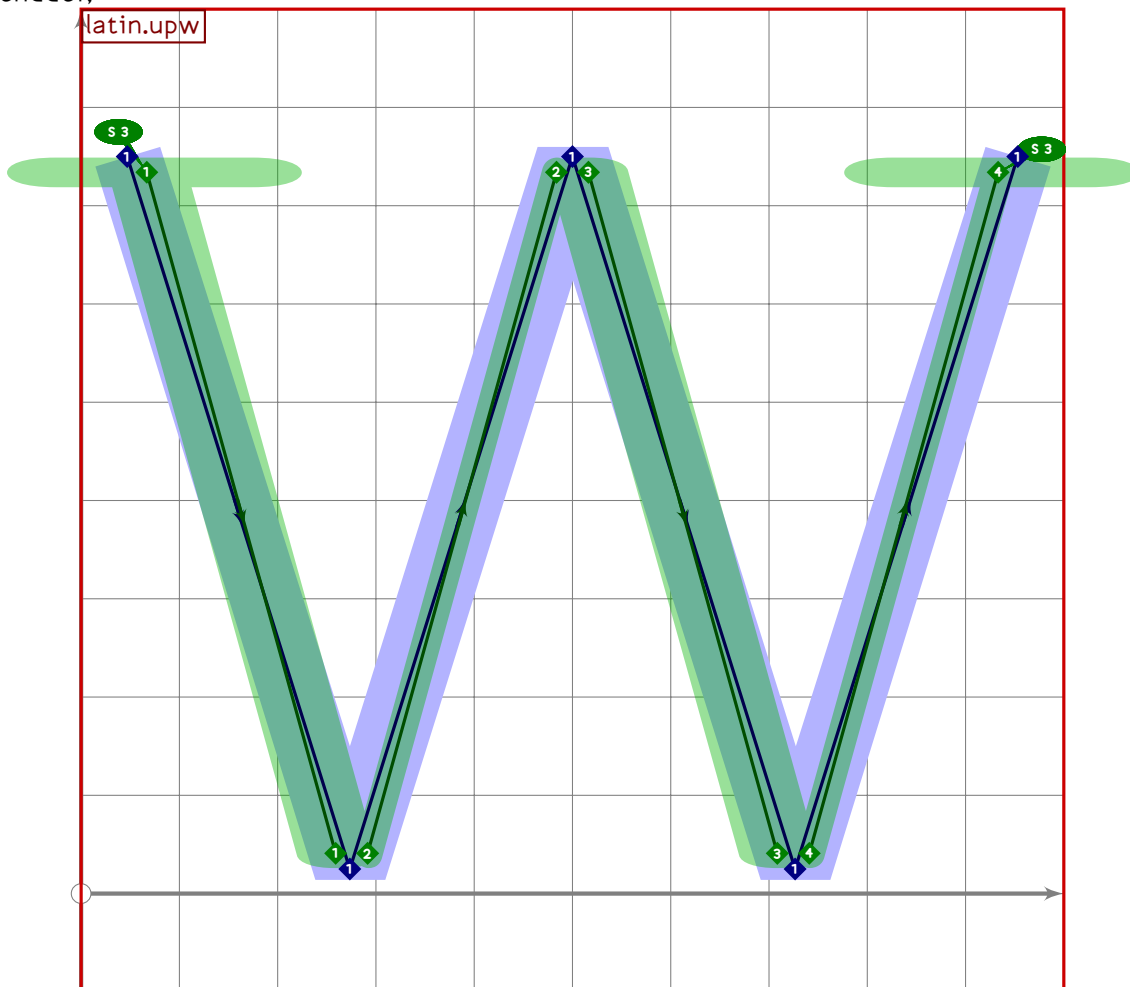
643
644 vardef tsu_curve.latin.upv =
645   add_proof_box("latin.upv");
646   (x1*x3)/2=x2=500;
647
648   y1=y3=latin_wide_high_v;
649   y2=latin_wide_low_v;
650
651   (x3-x1)=(y1-y2)*0.8;
652
653   if do_alteration:

```

```

654 bp[sp]:=z1-z2;
655 bq[sp]:=(1.6,1.6)-(1.6,1.6);
656 bo_serif[sp][0]:=3;
657
658 bp[sp*1]:=z2*alternate_adjust*right)-z3;
659 bq[sp*1]:=(1.6,1.6)-(1.6,1.6);
660 bo_serif[sp*1][1]:=3;
661 bo_alternate[sp*1]:=true;
662
663 sp:=sp*2;
664 else:
665 bp[sp]:=z1-(0.95[z1,z2])-z2-z3;
666 bq[sp]:=(1.6,1.6)-(1.6,1.6)-(1.6,1.6)-(1.6,1.6);
667 bo_tip[sp][2]:=0;
668 bo_serif[sp][0]:=3;
669 bo_serif[sp][3]:=3;
670
671 sp:=sp*1;
672 fi;
673 enddef;

```

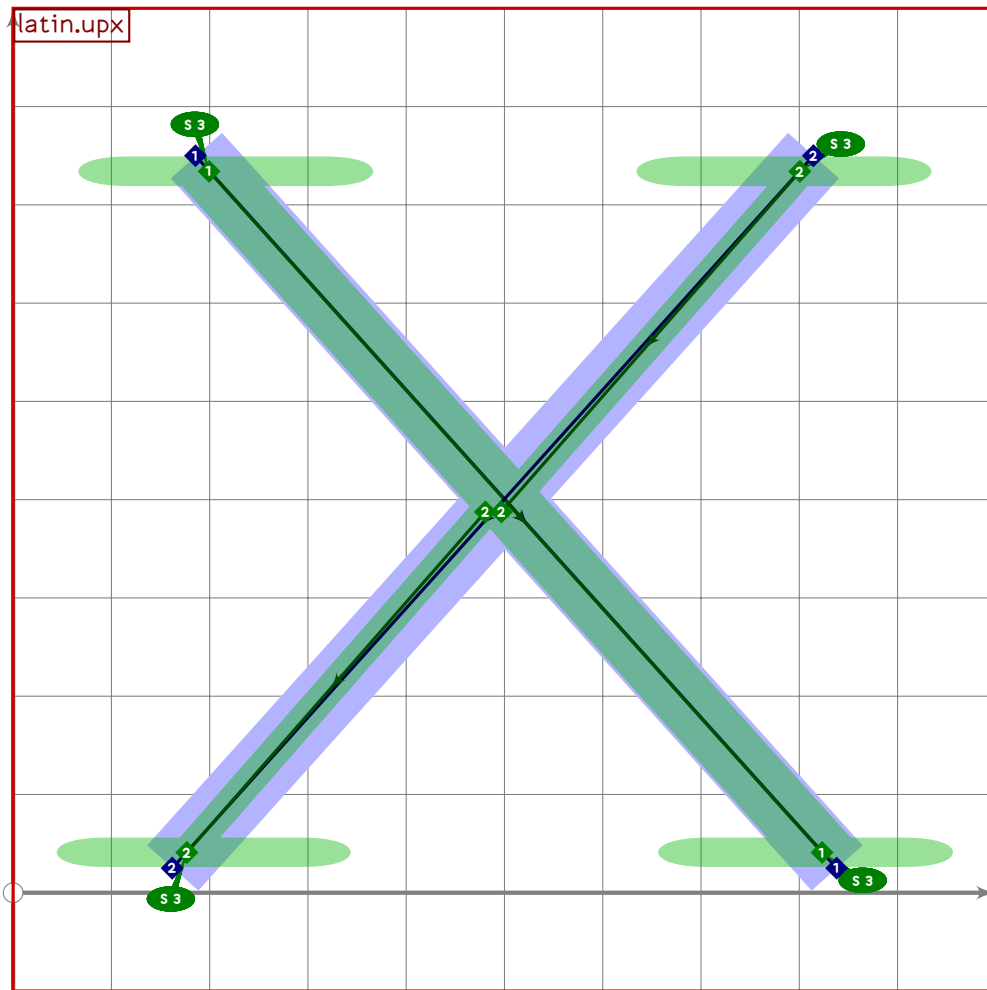


674

```

675 vardef tsu_curve.latin.upw =
676   add_proof_box("latin.upw");
677   if do_alteration:
678      $(x_1 \times x_5) / 2 = (x_2 \times x_4) / 2 = x_3 = 500 - \text{alternate\_adjust} / 2;$ 
679      $(x_3 - x_2) = (x_2 - x_1);$ 
680
681     y1=y3=y5=latin_wide_high_v;
682     y2=y4=latin_wide_low_v;
683
684      $(x_5 - x_1) = (y_1 - y_2) * 1.25 - (3 * \text{alternate\_adjust});$ 
685
686     bp[sp]:=(z1-z2) shifted (alternate_adjust*left);
687     bq[sp]:=(1.6,1.6)-(1.6,1.6);
688     bo_serif[sp][0]:=3;
689
690     bp[sp*1]:=z2-z3;
691     bq[sp*1]:=(1.6,1.6)-(1.6,1.6);
692     bo_alterate[sp*1]:=true;
693
694     bp[sp*2]:=(z3-z4) shifted (alternate_adjust*right);
695     bq[sp*2]:=(1.6,1.6)-(1.6,1.6);
696
697     bp[sp*3]:=(z4-z5) shifted (alternate_adjust*right*2);
698     bq[sp*3]:=(1.6,1.6)-(1.6,1.6);
699     bo_serif[sp*3][1]:=3;
700     bo_alterate[sp*3]:=true;
701
702     sp:=sp*4;
703   else:
704      $(x_1 \times x_5) / 2 = (x_2 \times x_4) / 2 = x_3 = 500;$ 
705      $(x_3 - x_2) = (x_2 - x_1);$ 
706
707     y1=y3=y5=latin_wide_high_v;
708     y2=y4=latin_wide_low_v;
709
710      $(x_5 - x_1) = (y_1 - y_2) * 1.25;$ 
711
712     bp[sp]:=z1-z2-z3-z4-z5;
713     bq[sp]:=(1.6,1.6)-(1.6,1.6)-(1.6,1.6)-(1.6,1.6)-(1.6,1.6);
714     bo_tip[sp][1]:=0;
715     bo_tip[sp][2]:=0;
716     bo_tip[sp][3]:=0;
717     bo_serif[sp][0]:=3;
718     bo_serif[sp][4]:=3;
719
720     sp:=sp*1;
721   fi;
722 enddef;

```



```

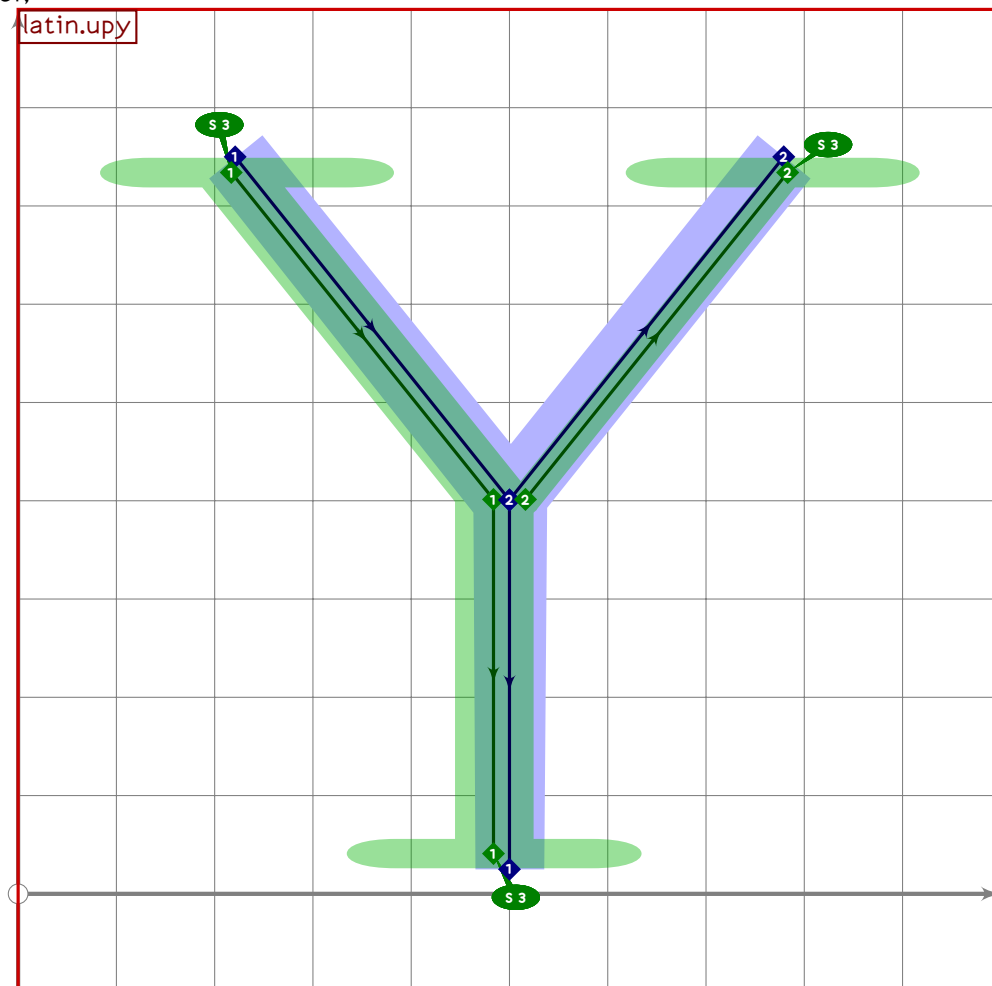
723
724 vardef tsu_curve.latin.upx =
725   add_proof_box("latin.upx");
726   (x1*x3)/2=500;
727   (x2*x4)/2=500;
728   (x2*x3-x1*x4)=((y1-y2)*0.9)*2;
729   (x3-x1)=(x2-x4)*0.93;
730
731   y1=y3=latin_wide_high_v;
732   y2=y4=latin_wide_low_v;
733
734   bp[sp]:=z1-z2;
735   bq[sp]:=(1.6,1.6)-(1.6,1.6);
736   bo_serif[sp][0]:=3;
737   bo_serif[sp][1]:=3;
738
739   if do_alteration:
740     bp[sp*1]:=z3-(0.5[z3,z4]*alternate_adjust*right/4)
741       -(0.5[z3,z4]*alternate_adjust*left/4)-z4;
742     bq[sp*1]:=(1.6,1.6)-(1.6,1.6)-(1.6,1.6);
743     bo_serif[sp*1][0]:=3;

```

```

744 bo_serif[sp*1][3]:=3;
745 else:
746 bp[sp*1]:=z3-z4;
747 bq[sp*1]:=(1.6,1.6)-(1.6,1.6);
748 bo_serif[sp*1][0]:=3;
749 bo_serif[sp*1][1]:=3;
750 fi;
751 bo_alternate[sp*1]:=true;
752
753 sp:=sp*2;
754 endif;

```



```

755
756 vardef tsu_curve.latin.upy =
757   add_proof_box("latin.upy");
758   (x3*x1)/2=x2=x4=if do_alteration: 500-alternate_adjust/2 else: 500 fi;
759   (x3-x1)=0.77*(y1-y4);
760
761   y1=y3=latin_wide_high_v;
762   y2=vmetric(0.52);
763   y4=latin_wide_low_v;
764

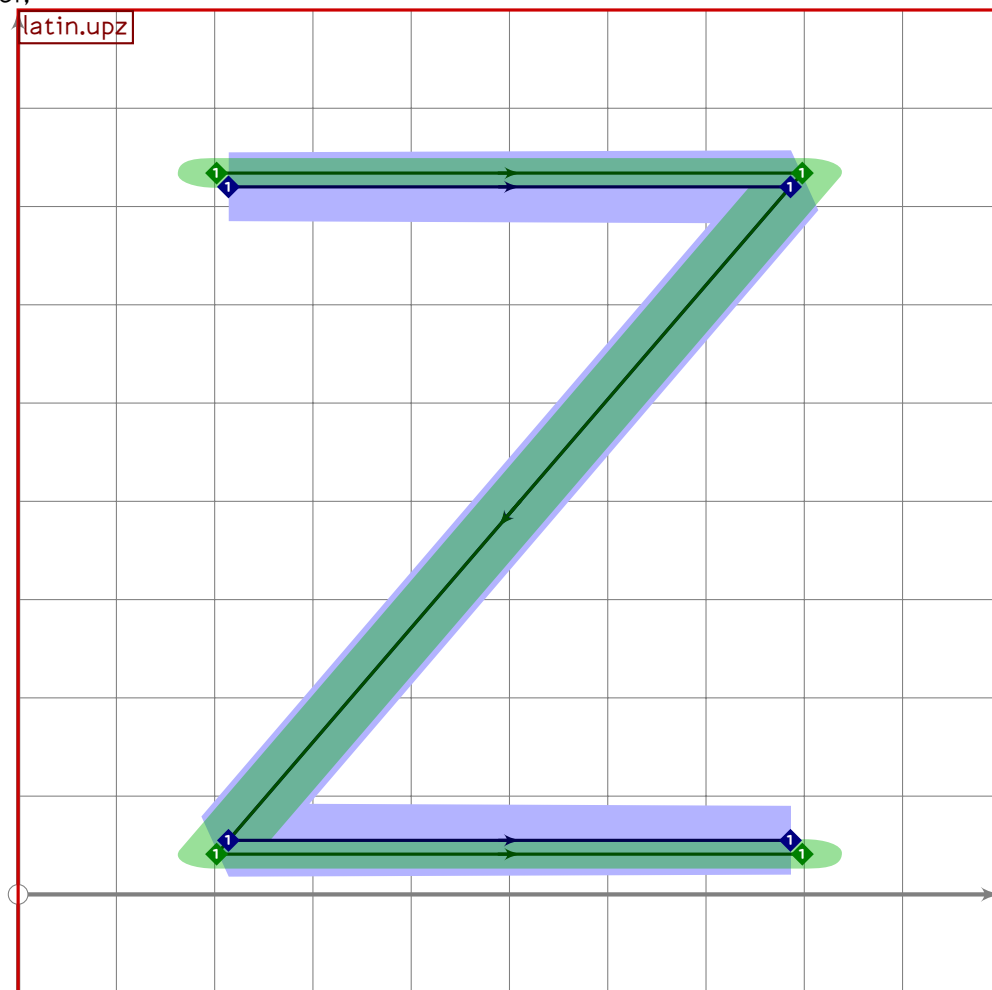
```



```

765 bp[sp]:=z1-z2-z4;
766 bq[sp]:=(1.6,1.6)-(1.6,1.6)-(1.6,1.6);
767 bo_tip[sp][1]:=0;
768 bo_serif[sp][0]:=3;
769 bo_serif[sp][2]:=3;
770
771 bp[sp*1]:=z2-z3;
772 if do_alteration: bp[sp*1]:=bp[sp*1] shifted (alternate_adjust*right); fi;
773 bq[sp*1]:=(1.6,1.6)-(1.6,1.6);
774 bo_serif[sp*1][1]:=3;
775 bo_alterate[sp*1]:=true;
776
777 sp:=sp*2;
778 enddef;

```



```

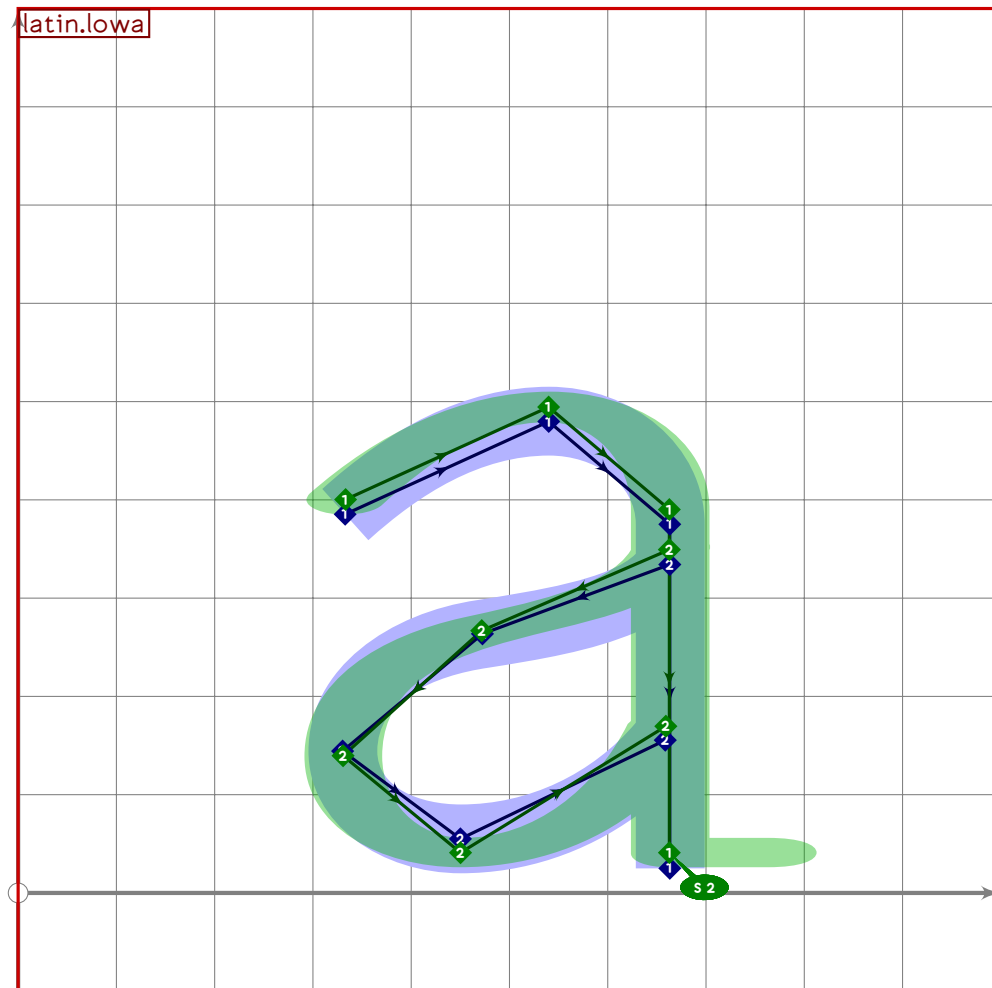
779
780 vardef tsu_curve.latin.upz =
781   add_proof_box("latin.upz");
782   y1=y2=latin_wide_high_h;
783   y3=y4=latin_wide_low_h;
784
785   x1=x3;

```

```

786 x2=x4;
787 (x1*x2)/2=500;
788 (x2-x1)=(y1-y3)*0.86;
789
790 bp[sp]:=z1-z2-z3-z4;
791 bq[sp]:=(1.6,1.6)-(1.6,1.6)-(1.6,1.6)-(1.6,1.6);
792 bo_tip[sp][1]:=0;
793 bo_tip[sp][2]:=0;
794
795 sp:=sp*1;
796 enddef;
797
798

```



```

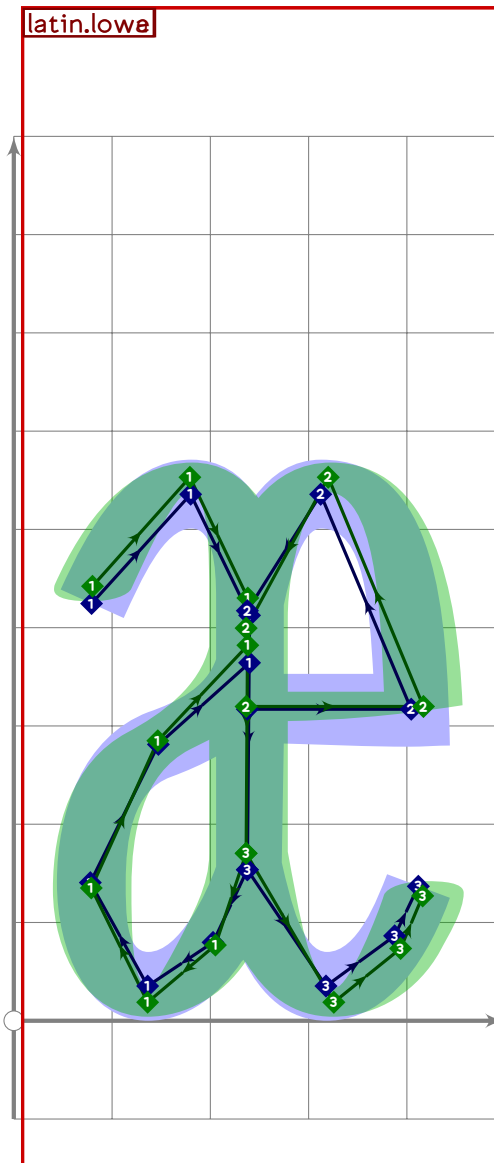
799
800 vardef tsu_curve.latin.low a =
801   add_proof_box("latin.low a");
802   x1=(-0.12)[x6,x3];
803   x3=x4=x5=x8;
804   0.51[x6,x3]=500;
805   x3-x1=0.82*(y2-y4);
806   x2=0.63[x6,x3];

```

```

807 x7=0.36[x6,x3];
808
809 y1=0.7[y4,y2];
810 y3=0.77[y4,y2];
811 y2=latin_wide_xheight_r;
812 y4=latin_wide_low_v;
813 y5=0.68[y4,y2];
814 y6=0.32[y7,y5];
815 y7=latin_wide_low_h;
816 y8=0.3[y4,y2];
817
818 bp[sp]:=z1{curl 0.2}..z2{right}..z3{down}..z4;
819 bp[sp]:=subpath (0,2,3) of bp[sp];
820 bq[sp]:=(1,6,1,6)-(1,6,1,6)-(1,6,1,6)-(1,6,1,6);
821 bo_serif[sp][3]:=2;
822
823 bp[sp*1]:=z5{dir 240}..z6{down}..z7{right}..z8;
824 bp[sp*1]:=subpath (0,2,97) of bp[sp*1];
825 bp[sp*1]:=insert_nodes(bp[sp*1])(0.5);
826 bq[sp*1]:=(1,6,1,6)-(1,6,1,6)-(1,6,1,6)-(1,6,1,6)-(1,6,1,6);
827
828 sp:=sp*2;
829 enddef;

```



```

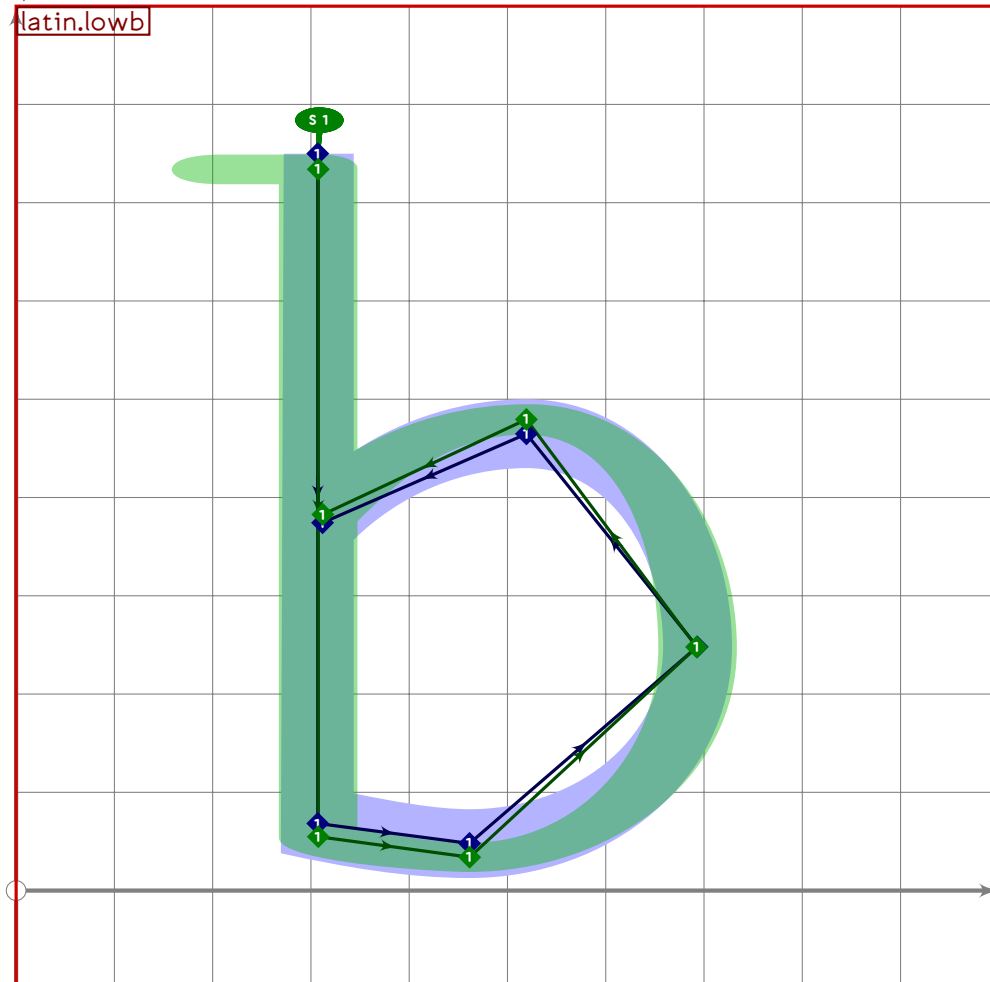
830
831 vardef tsu_curve.latin.lowae =
832   add_proof_box("latin.lowae");
833   tsu_curve.latin.lowae;
834   bo_serif[sp-2][3]:=whatever;
835   bp[sp-2]:=(subpath (0,2) of bp[sp-2])—reverse bp[sp-1];
836   numeric x[],y[];
837   sp:=sp-1;
838   tsu_curve.latin.lowae;
839   sp:=sp-2;
840   numeric x[],y[];
841   z1=point 3 of bp[sp];
842   path xbp;
843   xbp=bp[sp+1] shifted (0,ypart ((llcorner bp[sp])-(llcorner bp[sp+1])));
844   x2=xpart (xbp intersectionpoint ((470,y1)-(0,y1)));
845   bp[sp]:=bp[sp] shifted (470-x1,0);

```

```

846 bp[sp*1]:=bp[sp*1] shifted (470-x2,0);
847 xbp:=xbp shifted (470-x2,0);
848
849 bp[sp*2]:=subpath (xpart (xbp intersectiontimes ((500,y1)-(0,y1))),
850             infinity) of xbp;
851 bp[sp*2]:=insert_nodes(bp[sp*2])((length bp[sp*2])-0.3);
852
853 bp[sp*1]:=subpath (ypart (((470,1000)-(470,0))
854             intersectiontimes (subpath (0,1) of bp[sp*1])),
855             1*ypart (((470,1000)-(470,0))
856             intersectiontimes (subpath (1,infinity) of bp[sp*1])))
857             of bp[sp*1];
858
859 bp[sp]:=insert_nodes(bp[sp])(3,4);
860 bq[sp]:=(1,6,1,6) for i=1 upto length bp[sp]: -(1,6,1,6) endfor;
861 bq[sp*1]:=(1,6,1,6) for i=1 upto length bp[sp*1]: -(1,6,1,6) endfor;
862 bq[sp*2]:=(1,6,1,6) for i=1 upto length bp[sp*2]: -(1,6,1,6) endfor;
863
864 sp:=sp*3;
865 enddef;

```

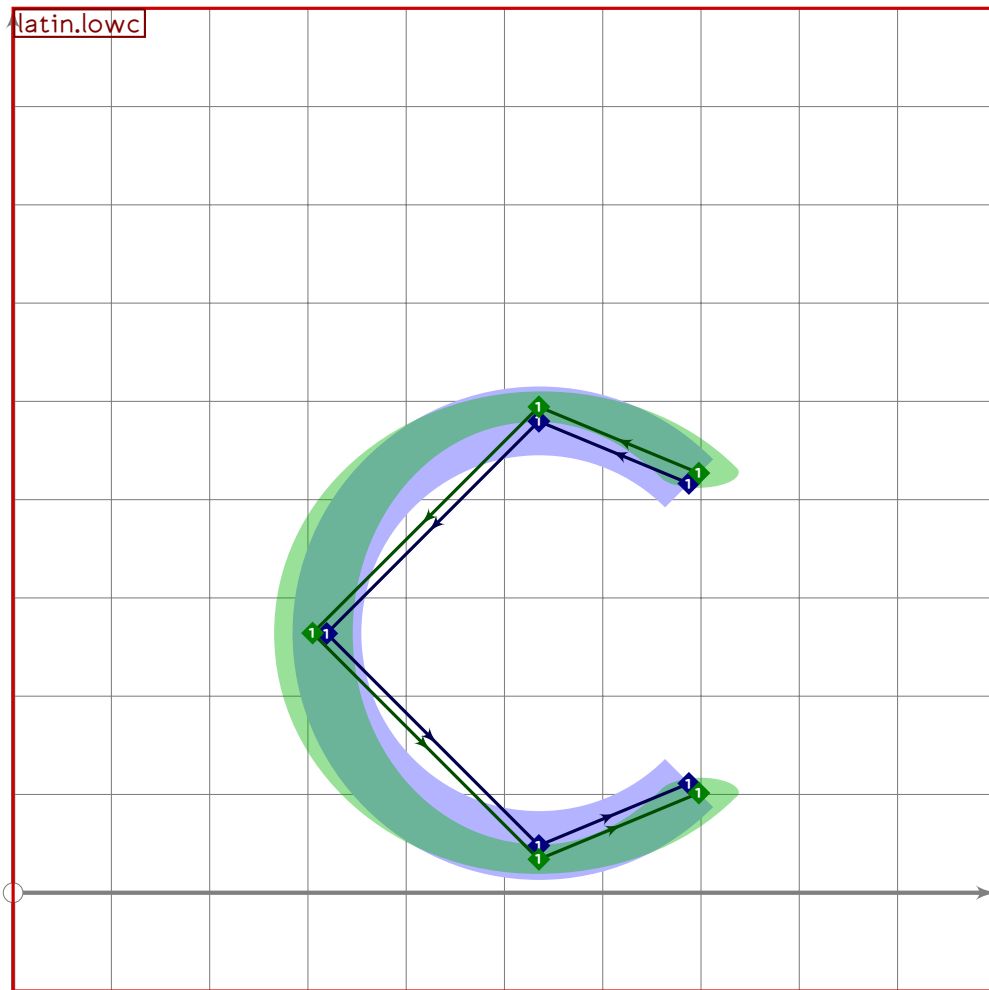


866

```

867 vardef tsu_curve.latin.lowb =
868   add_proof_box("latin.lowb");
869   (x1*x4)/2=500;
870   (x4-x1)=(y1-y3)*0.55;
871   x2=x1-x6;
872   x3=0.4[x2,x4];
873   x5=0.55[x2,x4];
874
875   y1=latin_wide_high_v;
876   y2=latin_wide_lc_baselif;
877   y3=latin_wide_low_r;
878   y4=0.48[y3,y5];
879   y5=latin_wide_xheight_h;
880   y6=0.77[y3,y5];
881
882   bp[sp]:=z1-z2{curl 0.05}..{right}z3..{up}z4..{left}z5..z6;
883   bp[sp]:=subpath (0,4.97) of bp[sp];
884   bq[sp]:=(1.6,1.6)-(1.6,1.6)-(1.6,1.6)-(1.6,1.6)-(1.6,1.6)-(1.6,1.6);
885   bo_tip[sp][1]:=1;
886   bo_serif[sp][0]:=1;
887
888   sp:=sp*1;
889 enddef;

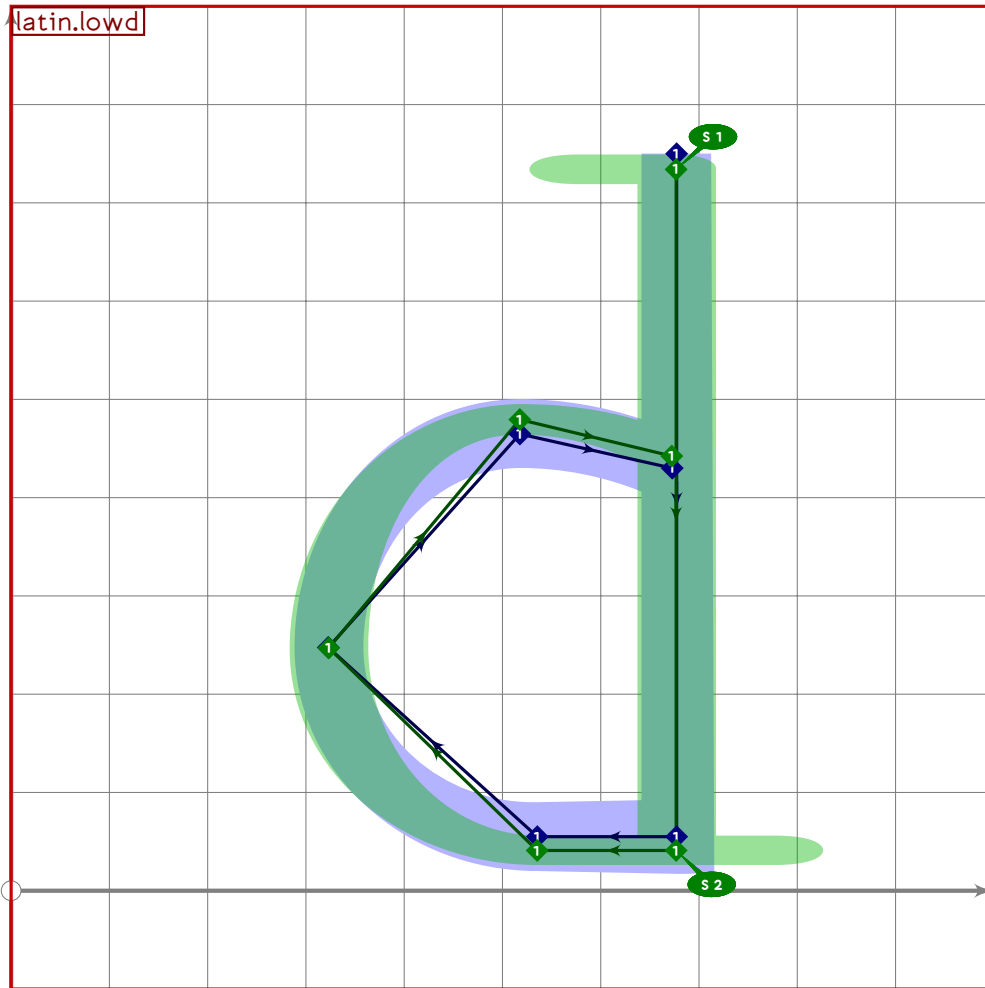
```



```

890
891 vardef tsu_curve.latin.lowc =
892   add_proof_box("latin.lowc");
893   bp[sp]:=(subpath (0.5,3.5) of ((1,0)..(0,1)..(-1,0)..(0,-1)..cycle))
894     scaled ((latin_wide_xheight_r-latin_wide_low_r)/2)
895     shifted ((xpart centre_pt,(latin_wide_xheight_r*latin_wide_low_r)/2)
896       *(35,0));
897   bq[sp]:=(1.6,1.6)-(1.6,1.6)-(1.6,1.6)-(1.6,1.6)-(1.6,1.6);
898
899   sp:=sp*1;
900 enddef;

```



```

901
902 vardef tsu_curve.latin.lowd =
903   add_proof_box("latin.lowd");
904   (x1*x4)/2=500;
905   (x1-x4)=(y1-y3)*0.51;
906   x2=x1=x6;
907   x3=0.4[x2,x4];
908   x5=0.45[x2,x4];
909
910   y1=latin_wide_high_v;
911   y2=y3=latin_wide_low_h;
912   y4=0.47[y3,y5];
913   y5=latin_wide_xheight_h;
914   y6=0.91[y3,y5];
915
916   bp[sp]:=z1-z2{left}..{left}z3..{up}z4..{right}z5..z6;
917   bp[sp]:=subpath (0,4.97) of bp[sp];
918   bq[sp]:=(1.6,1.6)-(1.6,1.6)-(1.6,1.6)-(1.6,1.6)-(1.6,1.6)-(1.6,1.6)-(1.6,1.6);
919   bo_tip[sp][1]=1;
920   bo_serif[sp][0]=1;
921   bo_serif[sp][1]=2;

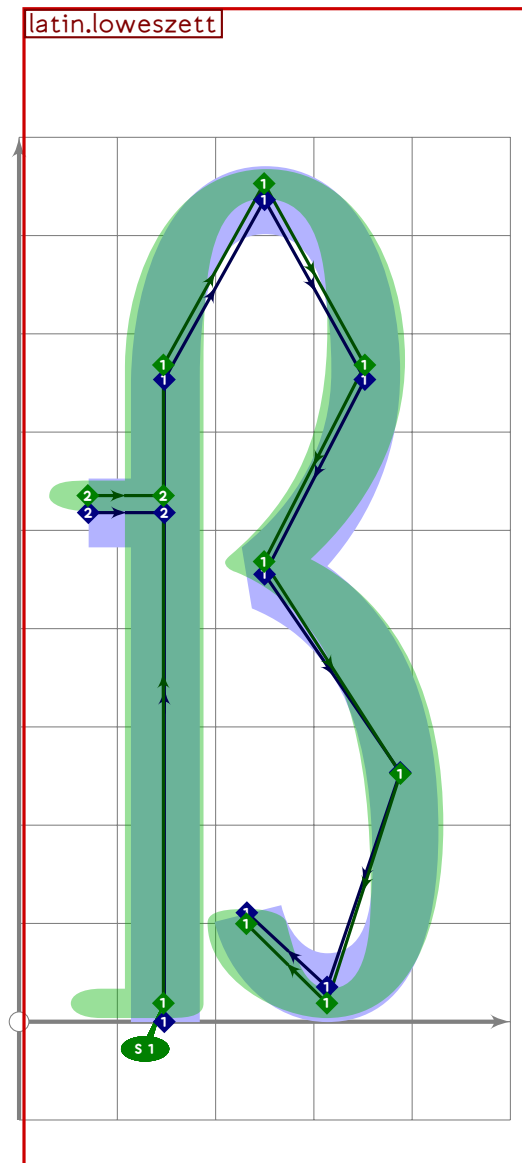
```



```

943 bq[sp]:=(1.6,1.6)-(1.6,1.6)-(1.6,1.6)-(1.6,1.6)-(1.6,1.6)-(1.6,1.6);
944 bo_tip[sp][1]:=1;
945
946 sp:=sp*1;
947 enddef;

```



```

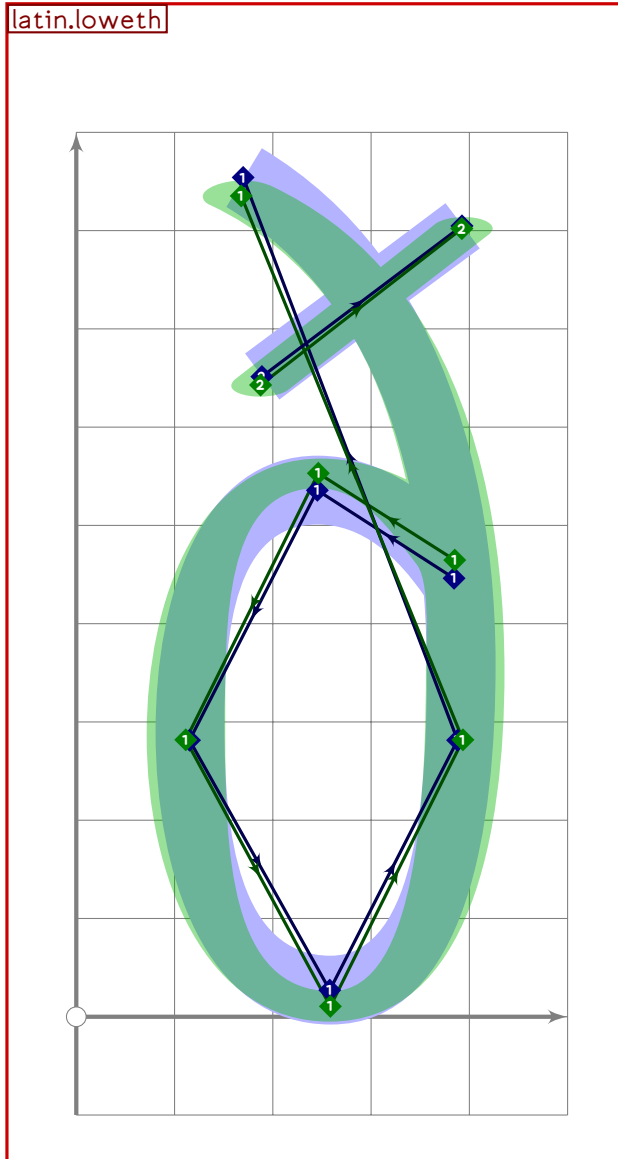
948
949 vardef tsu_curve.latin.loweszett =
950   add_proof_box("latin.loweszett");
951   (x1*x6)/2=510;
952   (x6-x1)=3*(y3-y2);
953   x2=x1;
954   x3=x5=(x1+x4)/2;
955   x4=0.85[x1,x6];
956   x7=0.69[x1,x6];
957   x8=0.35[x1,x6];
958

```

```

959 y1=latin_wide_low_v;
960 y2=y4=0.52[y5,y3];
961 y3=latin_wide_high_r;
962 y5=0.87[y7,latin_wide_xheight_h];
963 y6=0.52[y7,y5];
964 y7=latin_wide_low_h;
965 y8=0.18[y7,y5];
966
967 bp[sp]:=z1-z2{dir 88}..z3{right}..z4..{dir 200}z5{dir 350}..
968   z6..z7{left}..z8{dir 120};
969 bq[sp]:=(1.6,1.6)-(1.6,1.6)-(1.6,1.6)-(1.6,1.6)-(1.6,1.6)-(1.6,1.6)-(1.6,1.6)-(1.6,1.6);
970 bo_tip[sp][4]:=0;
971 bo_serif[sp][0]:=1;
972
973 bp[sp*1]:=(x1-150,latin_wide_xheight_h)-(x1,latin_wide_xheight_h);
974 bq[sp*1]:=(1.6,1.6)-(1.6,1.6);
975
976 sp:=sp*2;
977 enddef;

```



```

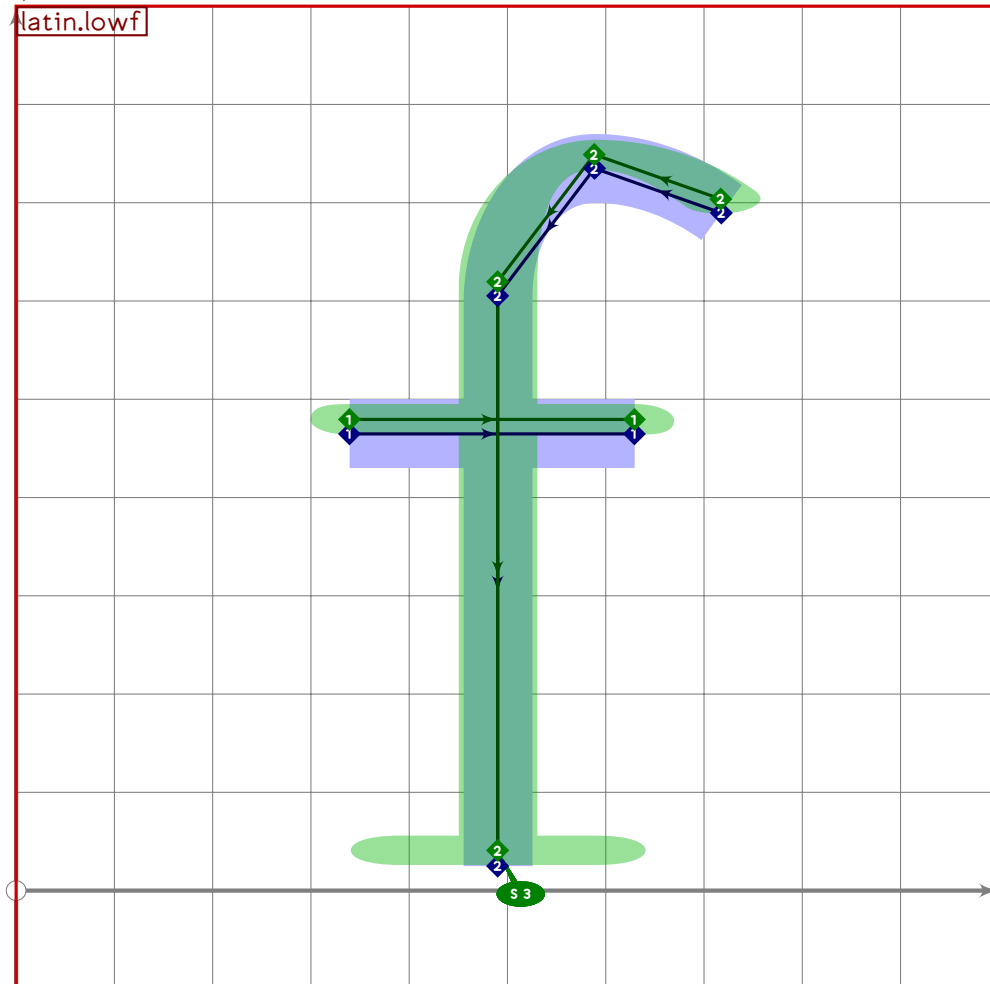
978
979 vardef tsu_curve.latin.loweth =
980   add_proof_box("latin.loweth");
981   (x3*x5)/2=(x2*x4)/2=510;
982   x4-x2=20;
983   (x5-x3)=(y2-y4);
984   x1=1.3[x3,x5];
985   x6=0.2[x3,x5];
986
987   y1=0.25[y4,y2];
988   y3=y5=0.5[y4,y2];
989   y2=latin_wide_xheight_r;
990   y4=latin_wide_low_r;
991   y6=latin_wide_high_v;
992
993   bp[sp]:=z1..z2{left}..z3..z4{right}..z5..{curl 0.6}z6;

```

```

994 bp[sp]:=subpath (xpart ((subpath (0,1) of bp[sp]) intersectiontimes
995 (subpath (2,infinity) of bp[sp])),infinity) of bp[sp];
996 bq[sp]:=(1.6,1.6)-(1.6,1.6)-(1.6,1.6)-(1.6,1.6)-(1.6,1.6)-(1.6,1.6);
997
998 z7=point 4.67 of bp[sp];
999 z8=z7*whatever*dir 202;
1000 x8=0.27[x3,x5];
1001 z9=2[z8,z7];
1002
1003 bp[sp*1]:=z8-z9;
1004 bq[sp*1]:=(1.5,1.5)-(1.5,1.5);
1005 bo_size[sp*1]:=85;
1006
1007 sp:=sp*2;
1008 enddef;

```



```

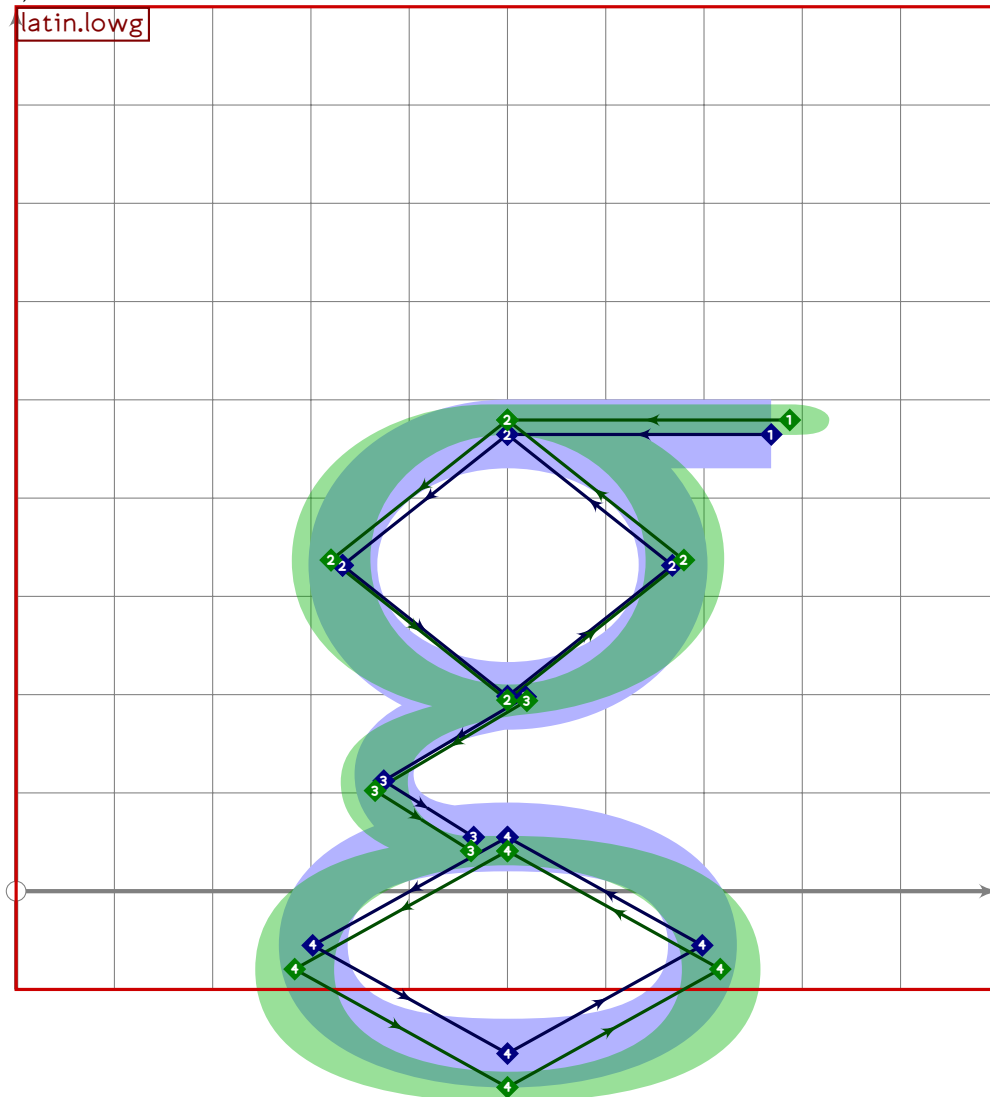
1009
1010 vardef tsu_curve.latin.lowf =
1011   add_proof_box("latin.lowf");
1012   (x2-x1)=290;
1013   x5=x6=490=0.52[x1,x2];
1014   x3-x5=2*(y4-y5);

```

```

1015 x4=0.38[x5,x3];
1016
1017 y1=y2=latin_wide_xheight_h;
1018 y5=0.52[y2,y4];
1019 y3=0.73[y2,y4];
1020 y4=latin_wide_high_r;
1021 y6=latin_wide_low_v;
1022
1023 bp[sp]:=z1-z2;
1024 bq[sp]:=(1.6,1.6)-(1.6,1.6);
1025
1026 bp[sp*1]:=z3{curl 0.6}..z4{left}..{dir 268}z5{down}-z6;
1027 bp[sp*1]:=subpath (0.23,3) of bp[sp*1];
1028 bq[sp*1]:=(1.6,1.6)-(1.6,1.6)-(1.6,1.6)-(1.6,1.6);
1029 bo_serif[sp*1][3]:=3;
1030
1031 sp:=sp*2;
1032 enddef;

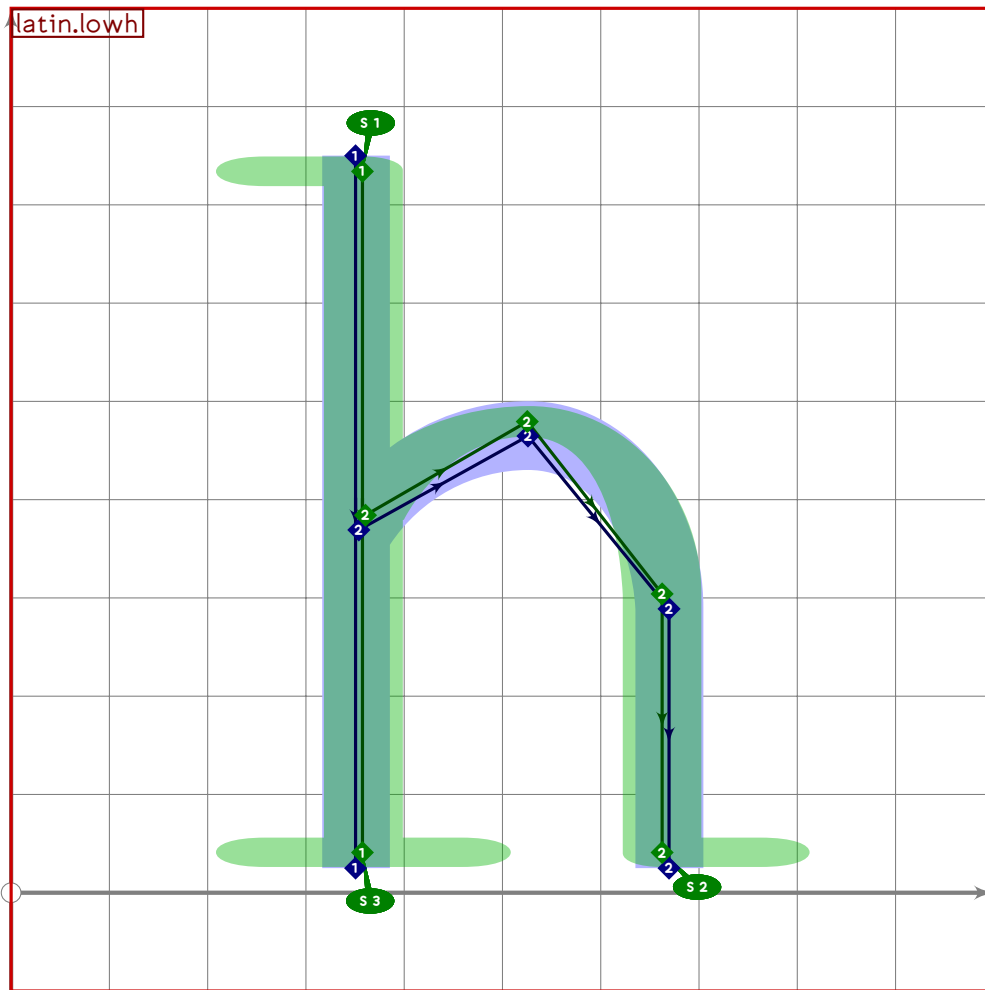
```



```

1033
1034 vardef tsu_curve.latin.lowg =
1035   add_proof_box("latin.lowg");
1036   x2=x4=x7=x9=500;
1037   x1=1.6[x2,x5];
1038   x5-x2=x2-x3;
1039   x5-x3=1.26*(y2-y4);
1040   x6=0.25[x3,x2];
1041   x10-x7=x7-x8;
1042   x10-x8=1.8*(y7-y9);
1043
1044   y1=y2=latin_wide_xheight_h;
1045   y3=y5=0.5[y4,y2];
1046   y4=0.35[y7,y2];
1047   y6=0.4[y7,y4];
1048   y7=latin_wide_low_h;
1049   y8=y10=0.5[y9,y7];
1050   y9=latin_wide_desc_r;
1051
1052   bp[sp]:=z1-z2;
1053   bq[sp]:=(1.6,1.6)-(1.6,1.6);
1054
1055   bp[sp*1]:=z3..z4..z5..z2..cycle;
1056   bq[sp*1]:=(1.6,1.6)-(1.6,1.6)-(1.6,1.6)-(1.6,1.6)-cycle;
1057
1058   bp[sp*3]:=z7..z8..z9..z10..cycle;
1059   bq[sp*3]:=(1.6,1.6)-(1.6,1.6)-(1.6,1.6)-(1.6,1.6)-cycle;
1060
1061   bp[sp*2]:=(point 1.2 of bp[sp*1]){direction 1.2 of bp[sp*1]}..z6..
1062     (point 0.05 of bp[sp*3]){direction 0.05 of bp[sp*3]};
1063   bp[sp*2]:=subpath (0.13,1.87) of bp[sp*2];
1064   bq[sp*2]:=(1.6,1.6)-(1.6,1.6)-(1.6,1.6);
1065   bo_size[sp*2]:=85;
1066
1067   sp:=sp*4;
1068 enddef;

```



```

1069
1070 vardef tsu_curve.latin.lowh =
1071   add_proof_box("latin.lowh");
1072   (x1+x5)/2=510;
1073   (x5-x1)=(y1-y2)*0.44;
1074   x2=x1=x3;
1075   x4=0.55[x3,x5];
1076   x6=x5;
1077
1078   y1=latin_wide_high_v;
1079   y2=y6=latin_wide_low_v;
1080   y3=0.77[y2,y4];
1081   y4=latin_wide_xheight_h;
1082   y5=0.60[y2,y4];
1083
1084   bp[sp]:=z1-z2;
1085   bq[sp]:=(1.6,1.6)-(1.6,1.6);
1086   bo_serif[sp][0]=1;
1087   bo_serif[sp][1]=3;
1088
1089   bp[sp*1]:=z3..z4{right}..z5{dir 273}-z6;

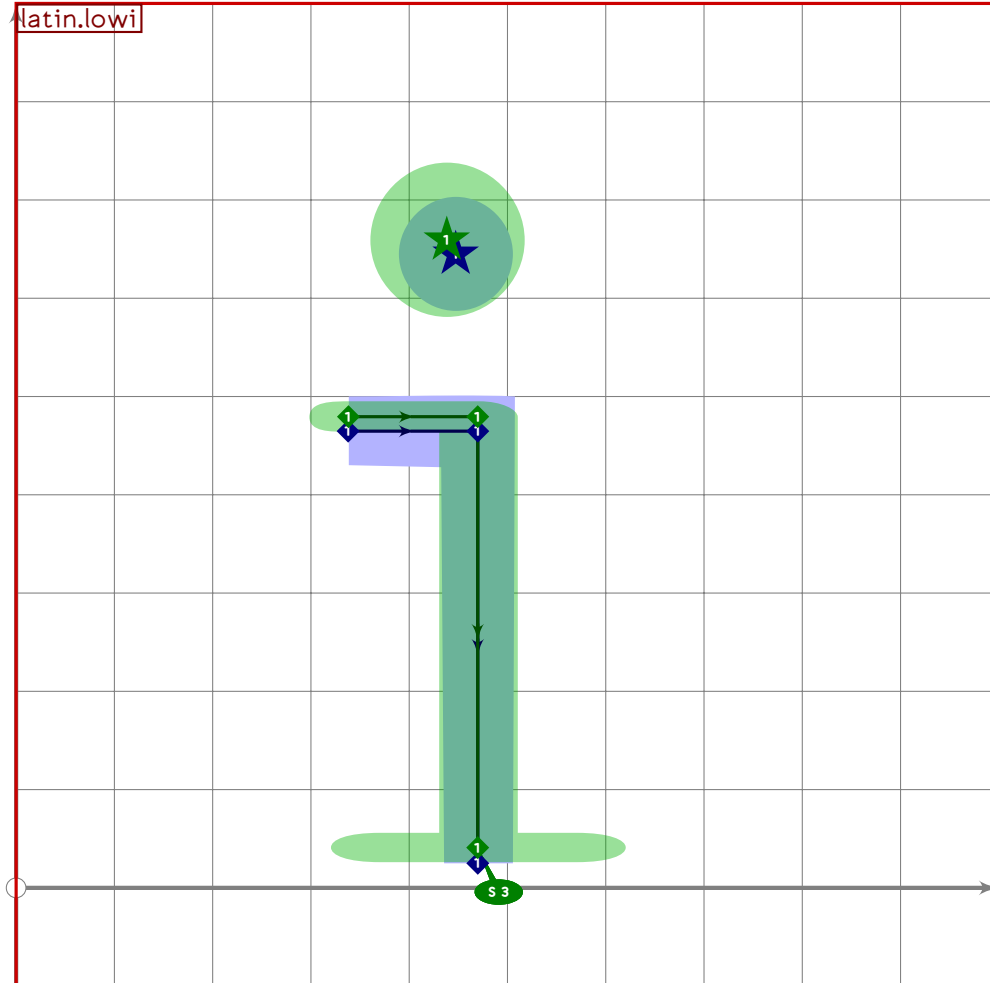
```



```

1090 bp[sp*1]:=subpath (0.03,3) of bp[sp*1];
1091 bq[sp*1]:=(1.6,1.6)-(1.6,1.6)-(1.6,1.6)-(1.6,1.6);
1092 bo_serif[sp*1][3]:=2;
1093
1094 sp:=sp*2;
1095 endif;

```



```

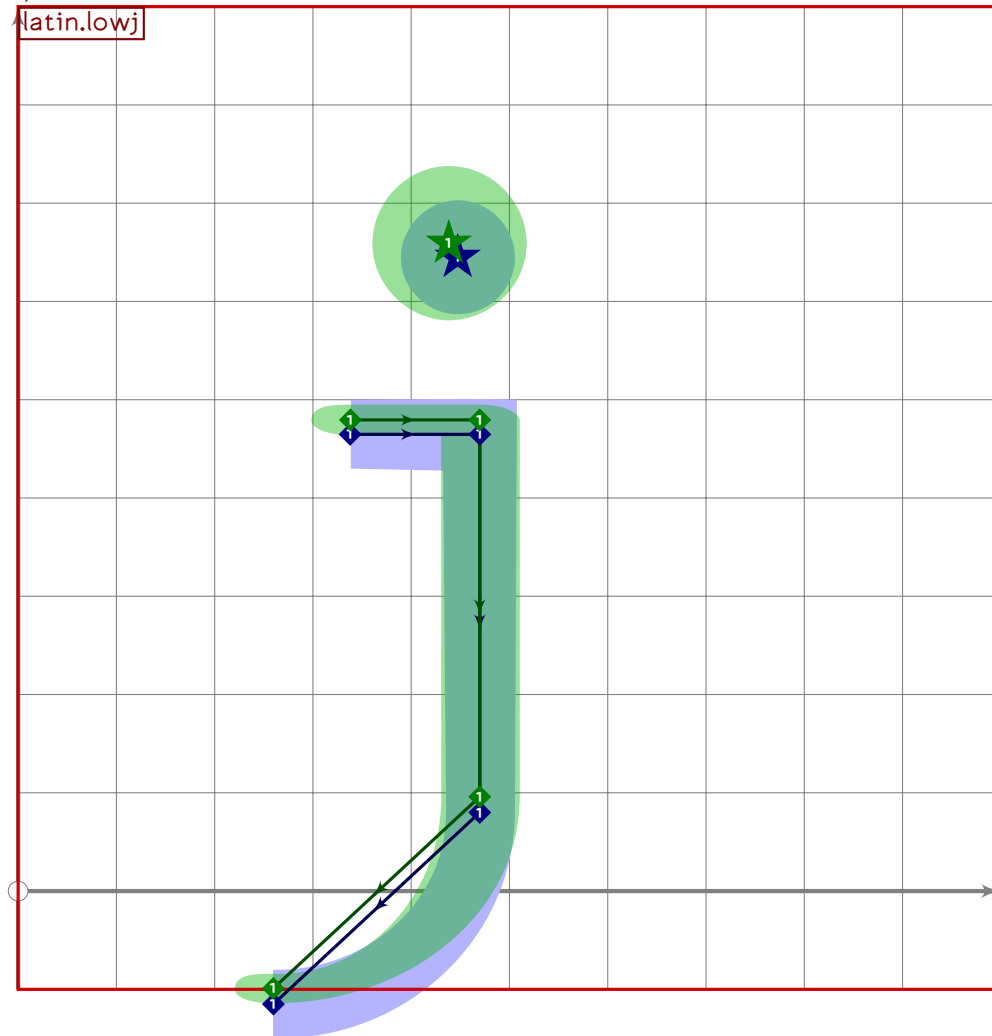
1096
1097 vardef tsu_curve.latin.lowi =
1098   add_proof_box("latin.lowi");
1099   x2=x3;
1100   0.85[x1,x2]=450;
1101   (x2-x1)=0.3(y2-y3);
1102   x4=x2-mbrush_width*0.6;
1103
1104   y1=y2=latin_wide_xheight_h;
1105   y3=latin_wide_low_v;
1106   y4=0.5[y2,latin_wide_high_v]*mbrush_width;
1107
1108   bp[sp]:=z1-z2-z3;
1109   bq[sp]:=(1.6,1.6)-(1.6,1.6)-(1.6,1.6);
1110   bo_tip[sp][1]:=1;

```

```

1111 bo_serif[sp][2]:=3;
1112
1113 sp:=sp*1;
1114 lcblob1:=fullcircle rotated 45 scaled (mbrush_width*2.7*15)
1115   shifted (z4 transformed tsu_rescale_xform)
1116   transformed inverse tsu_rescale_xform;
1117 enddef;

```



```

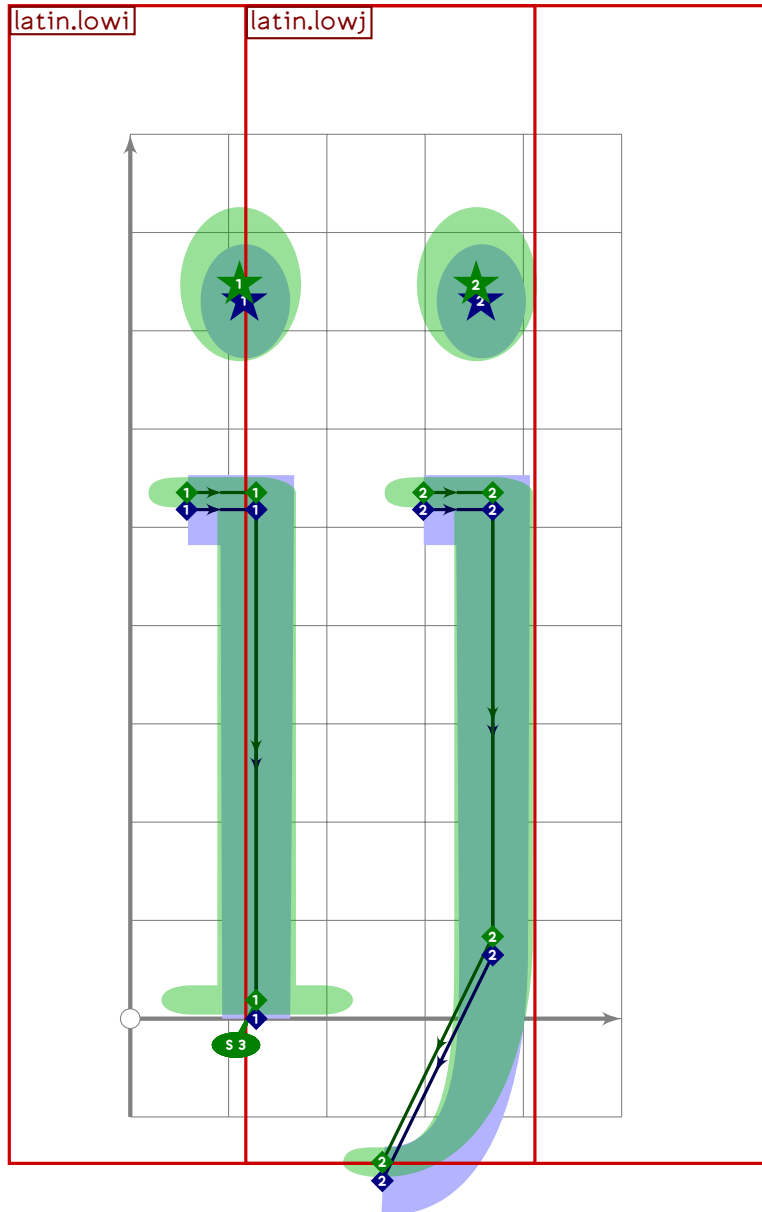
1118
1119 vardef tsu_curve.latin.lowj =
1120   add_proof_box("latin.lowj");
1121   x2=x3;
1122   0.85[x1,x2]=450;
1123   (x2-x1)=0.3(y2-y3);
1124   x5=x2-mbrush_width*0.6;
1125
1126   y1=y2=latin_wide_xheight_h;
1127   y3=latin_wide_low_v;
1128   y5=0.5[y2,latin_wide_high_v]*mbrush_width;
1129
1130   z4=z3*(-210,140);

```

```

1131
1132 bp[sp]:=(z1-z2-(z3*(0,55)))..{curl 0.8}z4;
1133 bq[sp]:=(1.6,1.6)-(1.6,1.6)-(1.6,1.6)-(1.6,1.6);
1134 bo_tip[sp][1]:=1;
1135
1136 sp:=sp*1;
1137 lcblob1:=fullcircle scaled (mbrush_width*2.7*15)
1138   shifted (z5 transformed tsu_rescale_xform)
1139   transformed inverse tsu_rescale_xform;
1140 endif;

```



```

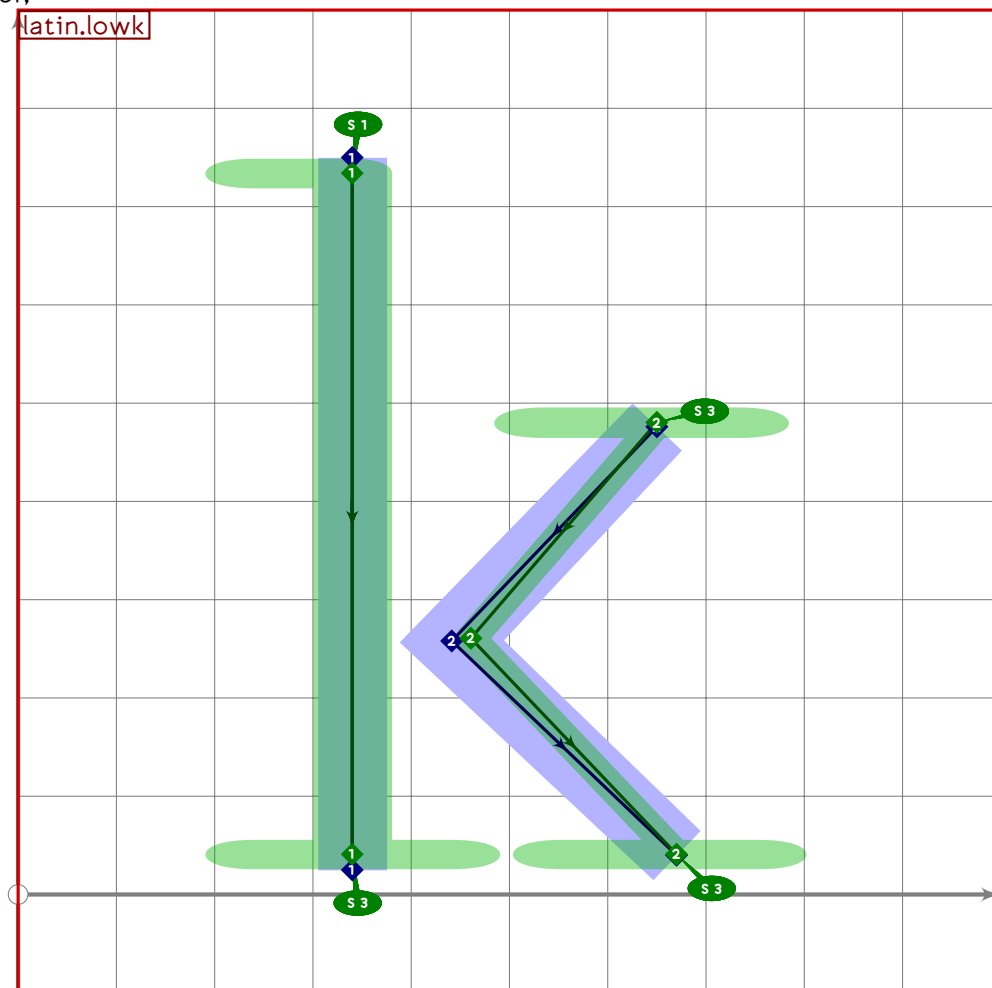
1141
1142 vardef tsu_curve.latin.lowij =
1143   add_proof_box("latin.lowij");
1144   tsu_xform(identity shifted (-250,0))(tsu_curve.latin.lowi);
1145   numeric x[],y[];

```

```

1146 tsu_xform(identity shifted (200,0))(tsu_curve.latin.lowj);
1147 lcblob2:=lcblob1;
1148 lcblob1:=lcblob1 shifted (-450,0);
1149 enddef;

```



```

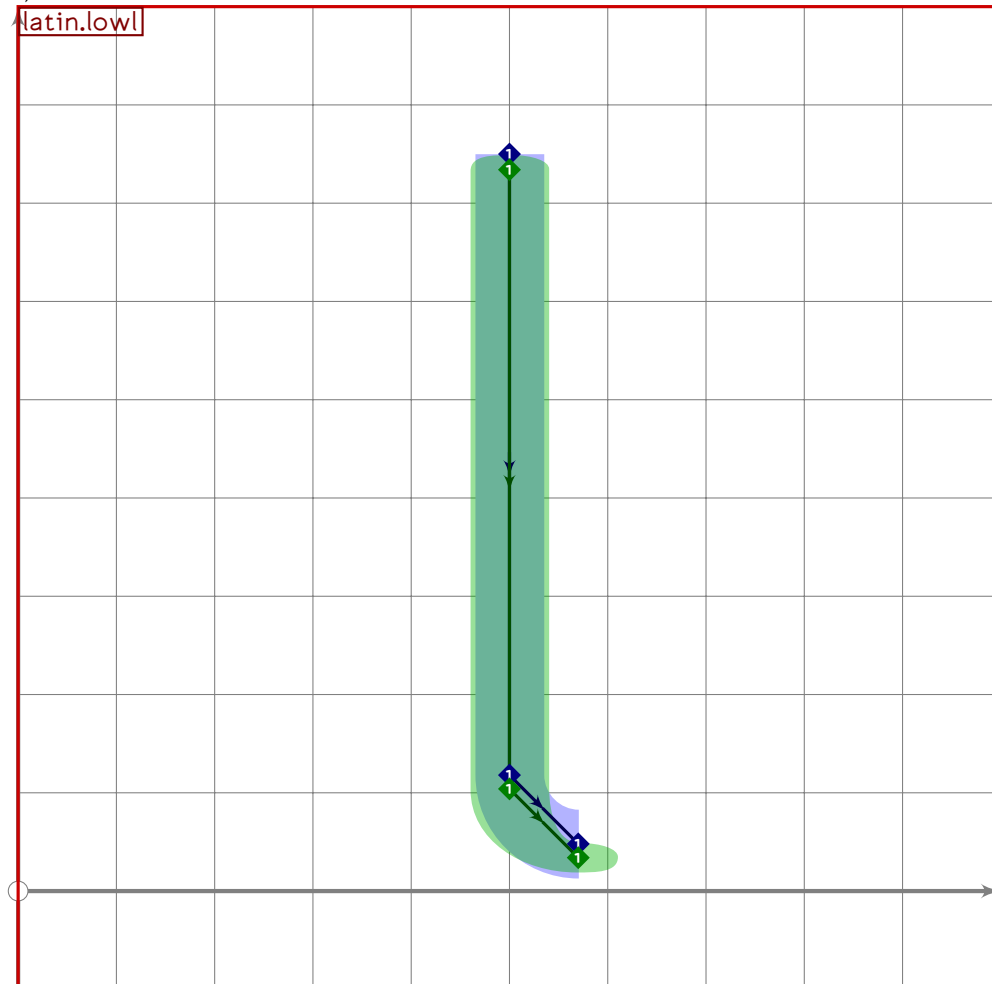
1150
1151 vardef tsu_curve.latin.lowk =
1152   add_proof_box("latin.lowk");
1153   z1=(340,latin_wide_high_v);
1154   z2=(340,latin_wide_low_v);
1155   z3=(650,(latin_wide_xheight_v*latin_wide_xheight_h)/2);
1156   x4=340*mbrush_width*if sharp_corners: 2.7 else: 2.3 fi;
1157   y4=(y3*y5)/2;
1158   z5=(670,0.5[latin_wide_low_h,latin_wide_low_v]);
1159
1160   bp[sp]:=z1-z2;
1161   bq[sp]:=(1.6,1.6)-(1.6,1.6);
1162   bo_serif[sp][0]:=1;
1163   bo_serif[sp][1]:=3;
1164
1165   bp[sp*1]:=z3-z4-z5;
1166   bq[sp*1]:=(1.6,1.6)-(1.6,1.6)-(1.6,1.6);

```

```

1167 bo_tip[sp*1][1]:=1;
1168 bo_serif[sp*1][0]:=3;
1169 bo_serif[sp*1][2]:=3;
1170 bo_alternate[sp*1]:=true;
1171
1172 sp:=sp*2;
1173 enddef;

```

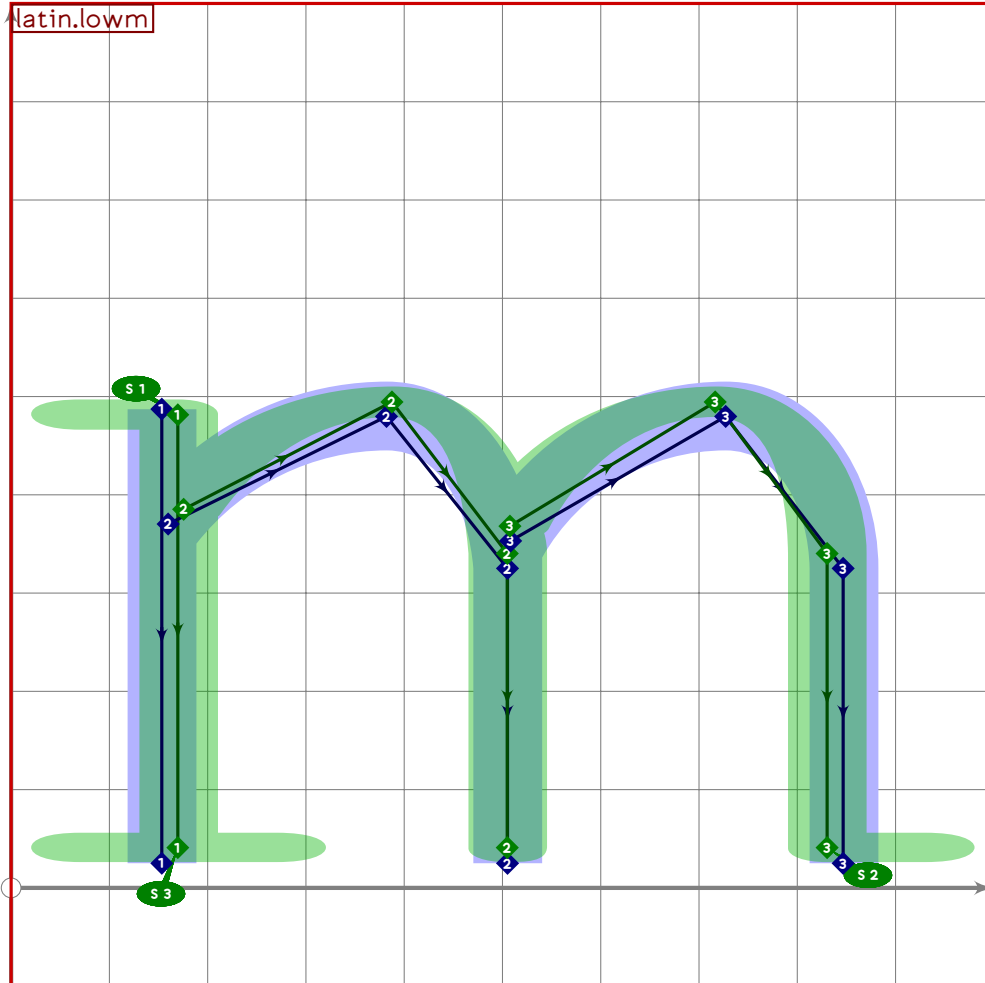


```

1174
1175 vardef tsu_curve.latin.lowl =
1176   add_proof_box("latin.lowl");
1177   x1=x2=500;
1178   x3=570;
1179
1180   y1=latin_wide_high_v;
1181   y2=y3*(x3-x2);
1182   y3=latin_wide_low_r;
1183
1184   bp[sp]:=z1-z2{down}..{right}z3;
1185   bq[sp]:=(1.6,1.6)-(1.6,1.6)-(1.6,1.6);
1186
1187   sp:=sp*1;

```

1188 endif;



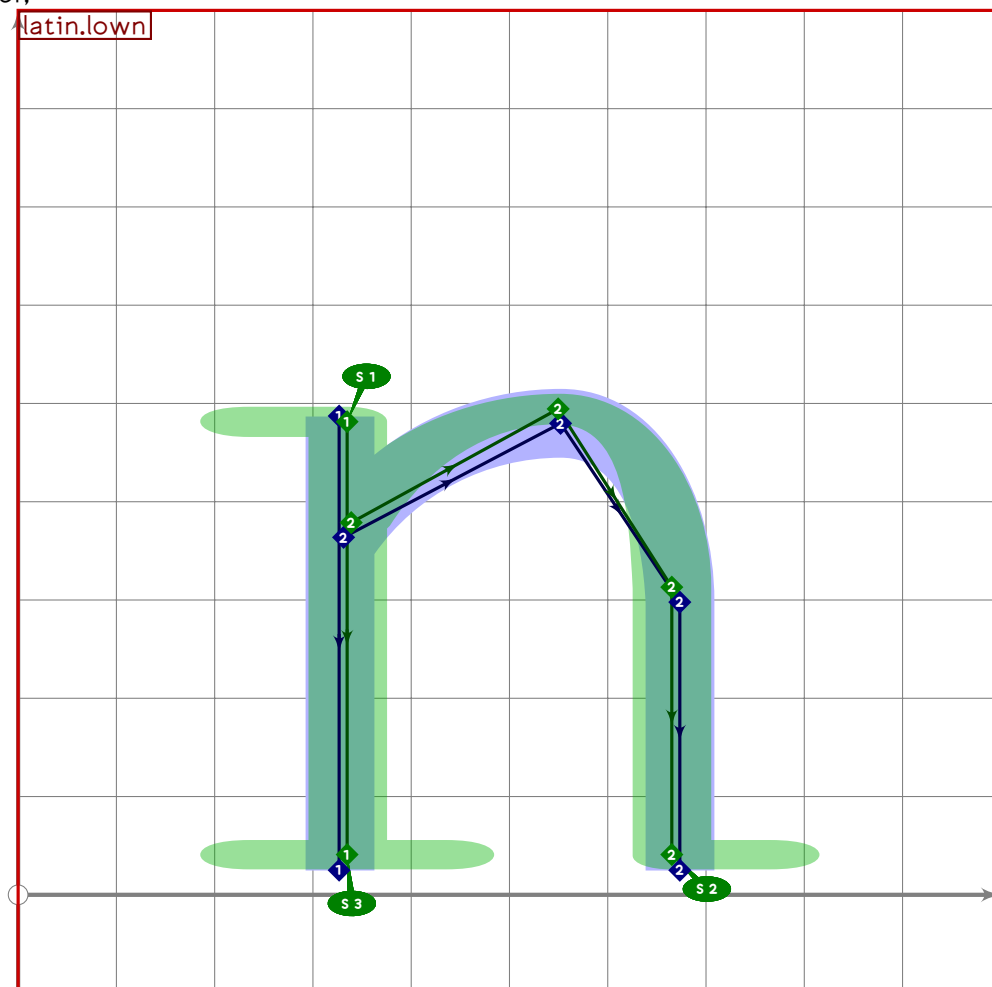
1189

```
1190 vardef tsu_curve.latin.lowm =  
1191   add_proof_box("latin.lowm");  
1192   (x1+x9)/2=500;  
1193   (x9-x1)*2=(y1-y2)*3;  
1194   (x5-x1)=(x9-x5)*1.03;  
1195   x2=x1=x3;  
1196   x4=0.65[x3,x5];  
1197   x6=x5;  
1198   x8=0.65[x6,x9];  
1199   x9=x10;  
1200  
1201   y1=latin_wide_xheight_v;  
1202   y2=y6=y10=latin_wide_low_v;  
1203   y3=0.74[y2,y4];  
1204   y4=y8=latin_wide_xheight_r;  
1205   y5=y9=0.66[y2,y4];  
1206  
1207   bp[sp]:=z1-z2;  
1208   bq[sp]:=(1.6,1.6)-(1.6,1.6);
```

```

1209 bo_serif[sp][0]:=1;
1210 bo_serif[sp][1]:=3;
1211
1212 bp[sp*1]:=z3..z4{right}..z5{dir 275}-z6;
1213 bp[sp*1]:=subpath (0.04,3) of bp[sp*1];
1214 bq[sp*1]:=-(1.6,1.6)-(1.6,1.6)-(1.6,1.6)-(1.6,1.6);
1215
1216 z7=bp[sp*1] intersectionpoint (z3-z9);
1217
1218 bp[sp*2]:=z7..z8{right}..z9{dir 271}-z10;
1219 bp[sp*2]:=subpath (0.04,3) of bp[sp*2];
1220 bq[sp*2]:=-(1.6,1.6)-(1.6,1.6)-(1.6,1.6)-(1.6,1.6);
1221 bo_serif[sp*2][3]:=2;
1222
1223 sp:=sp*3;
1224 enddef;

```



```

1225
1226 vardef tsu_curve.latin.lown =
1227   add_proof_box("latin.lown");
1228   (x1+x5)/2=500;
1229   (x5-x1)=(y1-y2)*0.75;

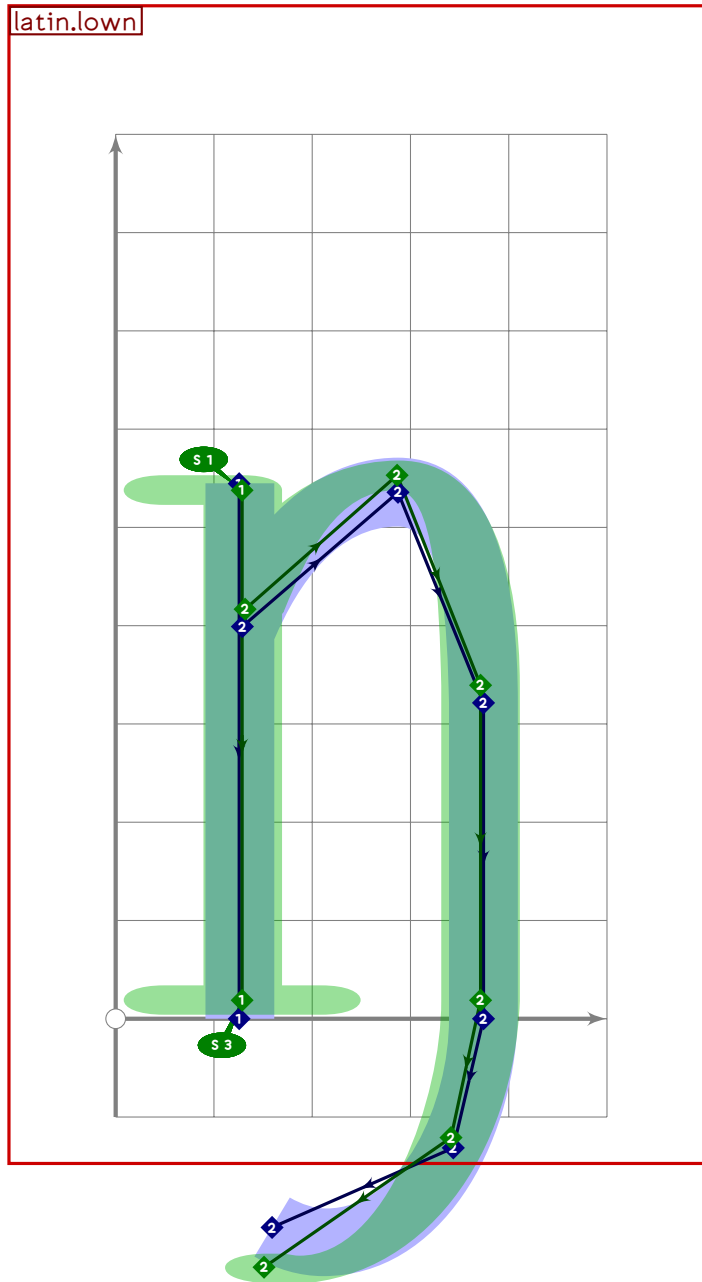
```

```

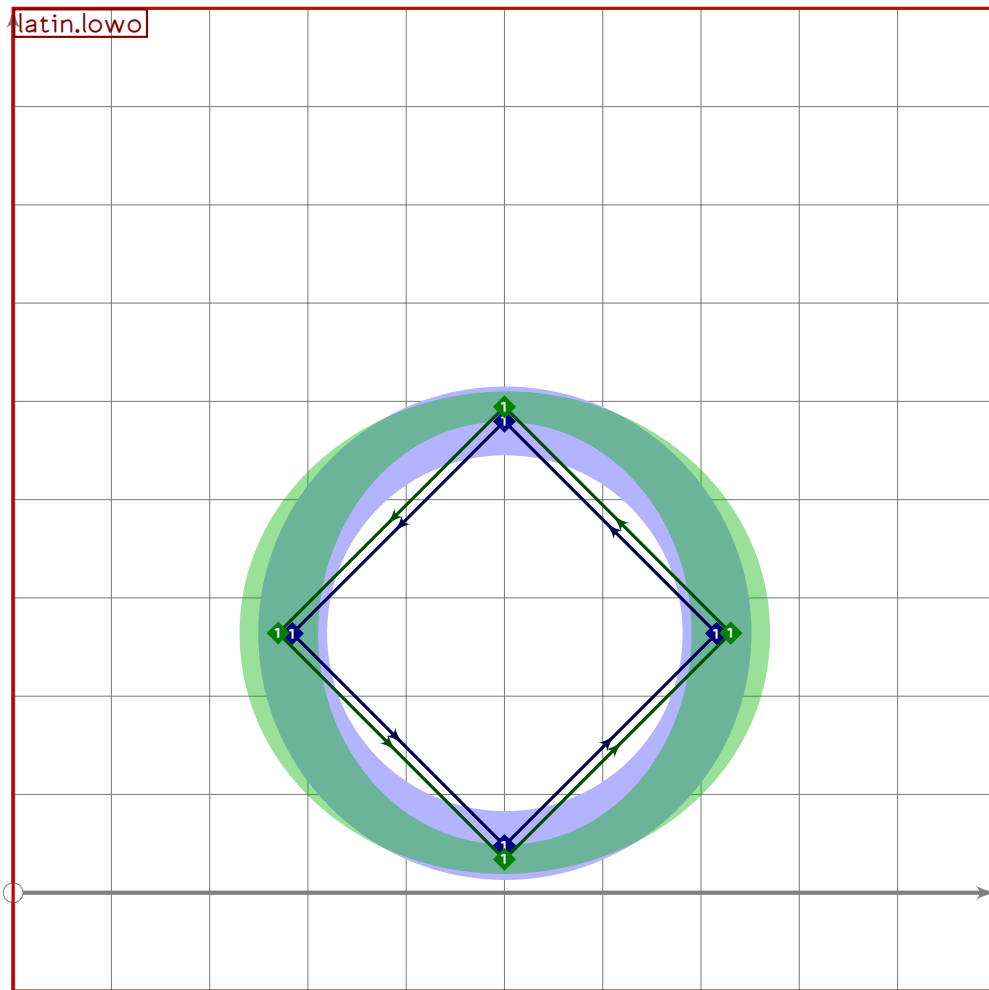
1230 x2=x1=x3;
1231 x4=0.65[x3,x5];
1232 x6=x5;
1233
1234 y1=latin__wide__xheight__v;
1235 y2=y6=latin__wide__low__v;
1236 y3=0.73[y2,y4];
1237 y4=latin__wide__xheight__r;
1238 y5=0.60[y2,y4];
1239
1240 bp[sp]:=z1-z2;
1241 bq[sp]:=(1.6,1.6)-(1.6,1.6);
1242 bo_serif[sp][0]:=1;
1243 bo_serif[sp][1]:=3;
1244
1245 bp[sp*1]:=z3..z4{right}..z5{dir 273}-z6;
1246 bp[sp*1]:=subpath (0.03,3) of bp[sp*1];
1247 bq[sp*1]:=(1.6,1.6)-(1.6,1.6)-(1.6,1.6)-(1.6,1.6);
1248 bo_serif[sp*1][3]:=2;
1249
1250 sp:=sp*2;
1251 enddef;

```


latin.lown



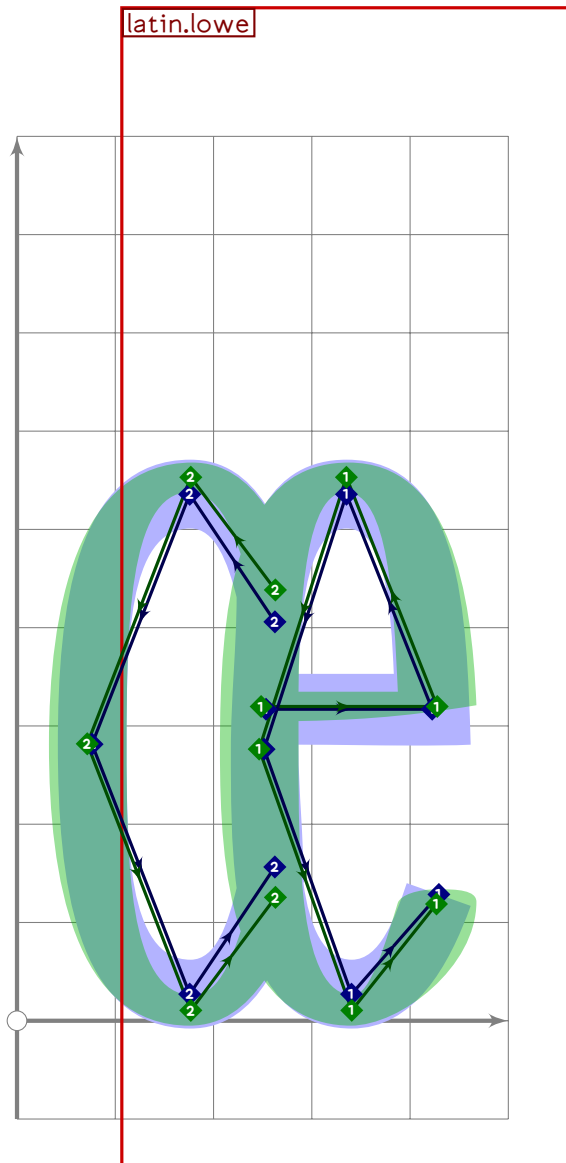
```
1252
1253 vardef tsu_curve.latin.loweng =
1254   add_proof_box("latin.loweng");
1255   tsu_curve.latin.lown;
1256   x7=x6-300;
1257   y7=latin_wide_desc_h;
1258   bp[sp-1]:=bp[sp-1]{dir 266}{curl 0.8}z7;
1259   bp[sp-1]:=insert_nodes(bp[sp-1])(3.3);
1260   bq[sp-1]:=bq[sp-1]-(1.6,1.6)-(1.6,1.6);
1261   bo_serif[sp-1][3]:=whatever;
1262 enddef;
```



```

1263
1264 vardef tsu_curve.latin.lowo =
1265   add_proof_box("latin.lowo");
1266   bp[sp]:=((1,0)..(0,1)..(-1,0)..(0,-1)..cycle)
1267     scaled ((latin_wide_xheight_r-latin_wide_low_r)/2)
1268     shifted (xpart centre_pt,(latin_wide_xheight_r*latin_wide_low_r)/2);
1269   bq[sp]:=(1.6,1.6)-(1.6,1.6)-(1.6,1.6)-(1.6,1.6)-cycle;
1270
1271   sp:=sp*1;
1272 enddef;

```



```

1273
1274 vardef tsu_curve.latin.lowoe =
1275   add_proof_box("latin.lowoe");
1276   tsu_xform(identity shifted (190,0))(tsu_curve.latin.lowoe);
1277   bp[sp]:=((1,0)..(0,1)..(-1,0)..(0,-1)..(1,0))
1278     scaled ((latin_wide_xheight_r-latin_wide_low_r)/2)
1279     shifted (340,0.5[latin_wide_xheight_r,latin_wide_low_r]);
1280   bp[sp]:=subpath (xpart (bp[sp] intersectiontimes
1281     (subpath (2,infinity) of bp[sp-1])),
1282     4-xpart ((reverse bp[sp]) intersectiontimes bp[sp-1]))
1283     of bp[sp];
1284   bq[sp]:=(1.2,1.2)-(1.6,1.6)-(1.6,1.6)-(1.2,1.2);
1285   sp:=sp+1;
1286 enddef;

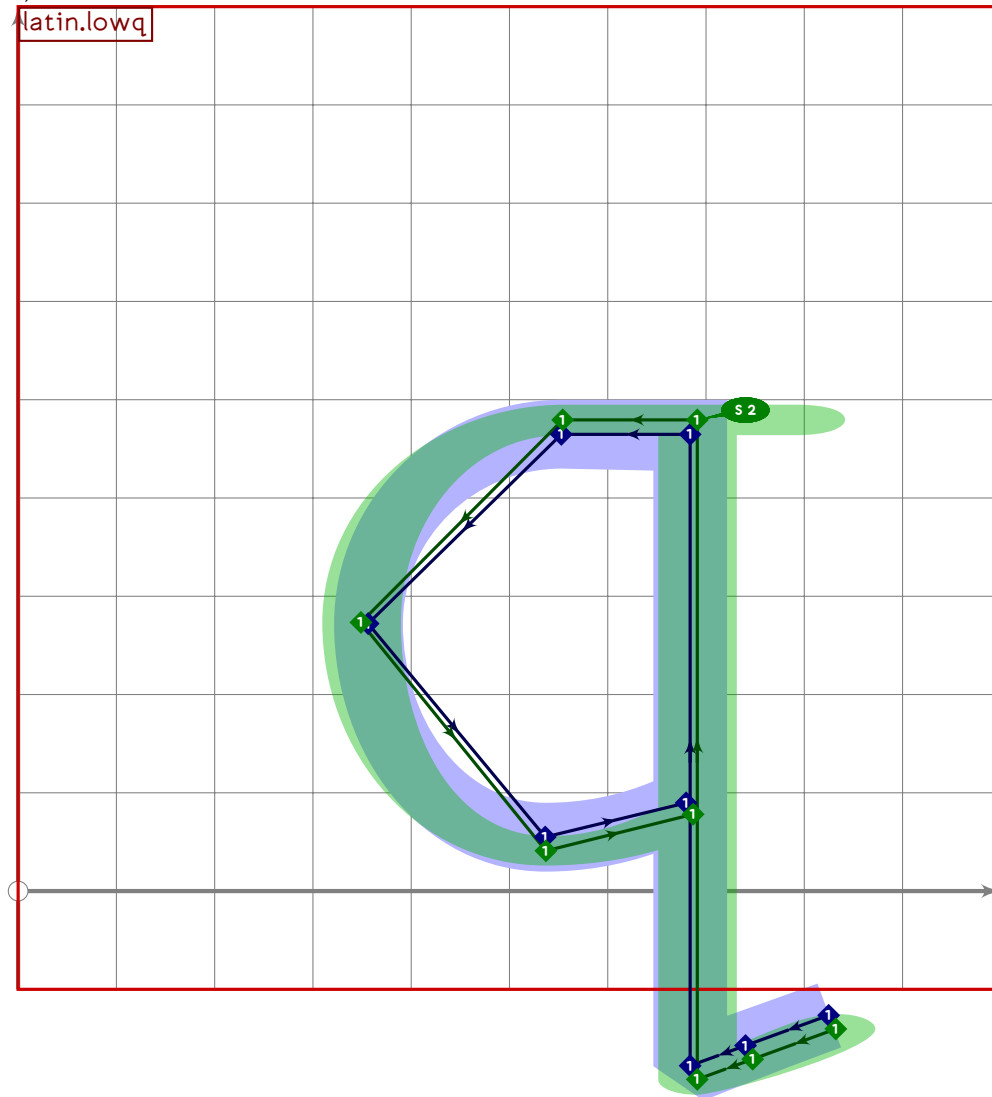
```



```

1304 bq[sp]:=(1.6,1.6)-(1.6,1.6)-(1.6,1.6)-(1.6,1.6)-(1.6,1.6)-(1.6,1.6)-(1.6,1.6);
1305 bo_tip[sp][1]:=1;
1306 bo_serif[sp][0]:=3;
1307 bo_serif[sp][1]:=1;
1308
1309 sp:=sp*1;
1310 enddef;

```



```

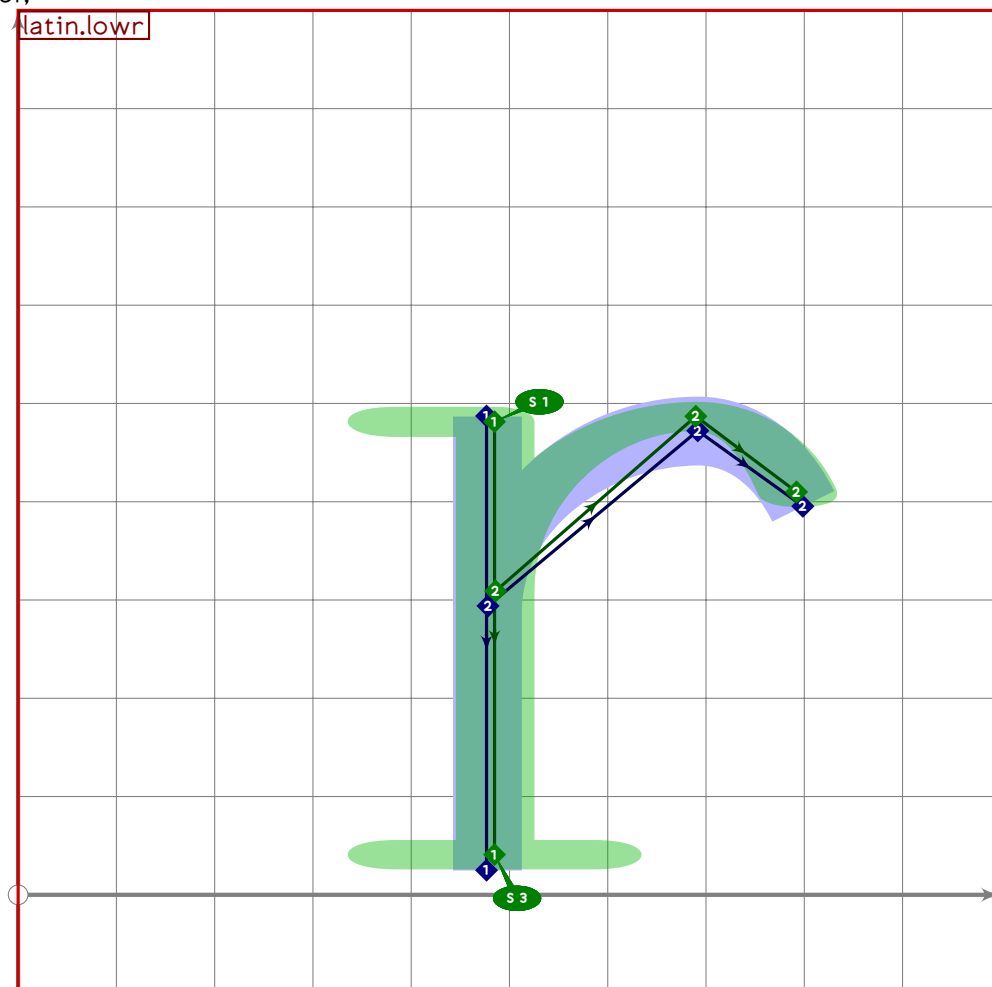
1311
1312 vardef tsu_curve.latin.lowq =
1313   add_proof_box("latin.lowq");
1314   (x1+x4)/2=520;
1315   (x1-x4)=(y2-y1)*0.51;
1316   x2=x1=x6;
1317   x3=0.4[x2,x4];
1318   x5=0.45[x2,x4];
1319
1320   y1=latin_wide_desc_v;
1321   y2=y3=latin_wide_xheight_h;

```

```

1322 y4=0.47[y3,y5];
1323 y5=latin_wide_low_h;
1324 y6=0.91[y3,y5];
1325
1326 z0=z1*150*(dir 20);
1327
1328 bp[sp]:=z0-(0.6[z0,z1])-z1-z2{left}..
1329   {left}z3..{down}z4..{right}z5..z6;
1330 bp[sp]:=subpath (0,6.97) of bp[sp];
1331 bq[sp]:=(1.6,1.6)-(1.6,1.6)-(1.6,1.6)-(1.6,1.6)-(1.6,1.6)-(1.6,1.6)-(1.6,1.6)-(1.6,1.6);
1332 bo_tip[sp][2]:=0;
1333 bo_tip[sp][3]:=1;
1334 bo_serif[sp][3]:=2;
1335
1336 sp:=sp*1;
1337 enddef;

```



```

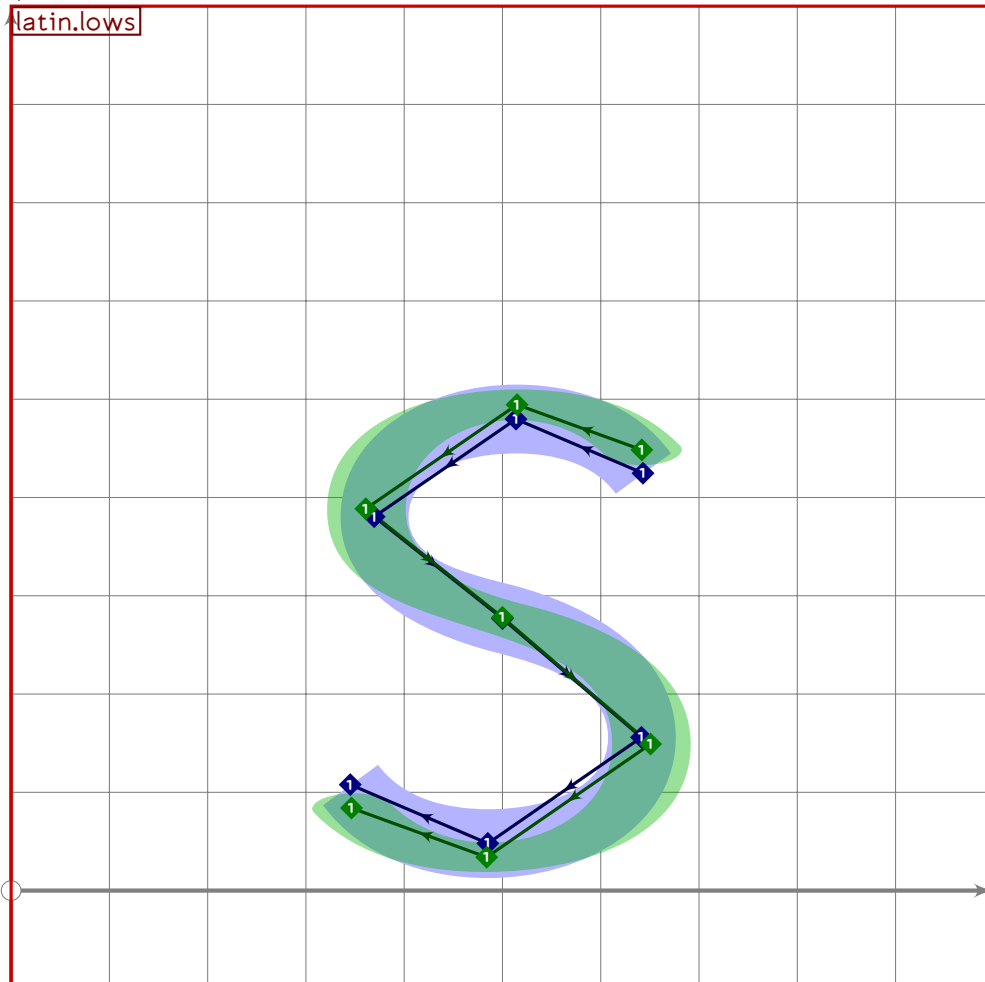
1338
1339 vardef tsu_curve.latin.lowr =
1340   add_proof_box("latin.lowr");
1341   (x1*x5)/2=650;
1342   (x5-x1)=(y1-y2)*0.75;

```

```

1343 x2=x1=x3;
1344 x4=0.62[x3,x5];
1345
1346 y1=latin__wide__xheight__v;
1347 y2=latin__wide__low__v;
1348 y3=0.58[y2,y4];
1349 y4=0.5[latin__wide__xheight__h,latin__wide__xheight__r];
1350 y5=0.60[y2,y4];
1351
1352 bp[sp]:=z1-z2;
1353 bq[sp]:=(1,6,1,6)-(1,6,1,6);
1354 bo_serif[sp][0]:=1;
1355 bo_serif[sp][1]:=3;
1356
1357 bp[sp*1]:=z3..z4{right}..{dir 273}z5;
1358 bp[sp*1]:=subpath (0.03,1,6) of bp[sp*1];
1359 bq[sp*1]:=(1,6,1,6)-(1,6,1,6)-(1,6,1,6);
1360
1361 sp:=sp*2;
1362 enddef;

```

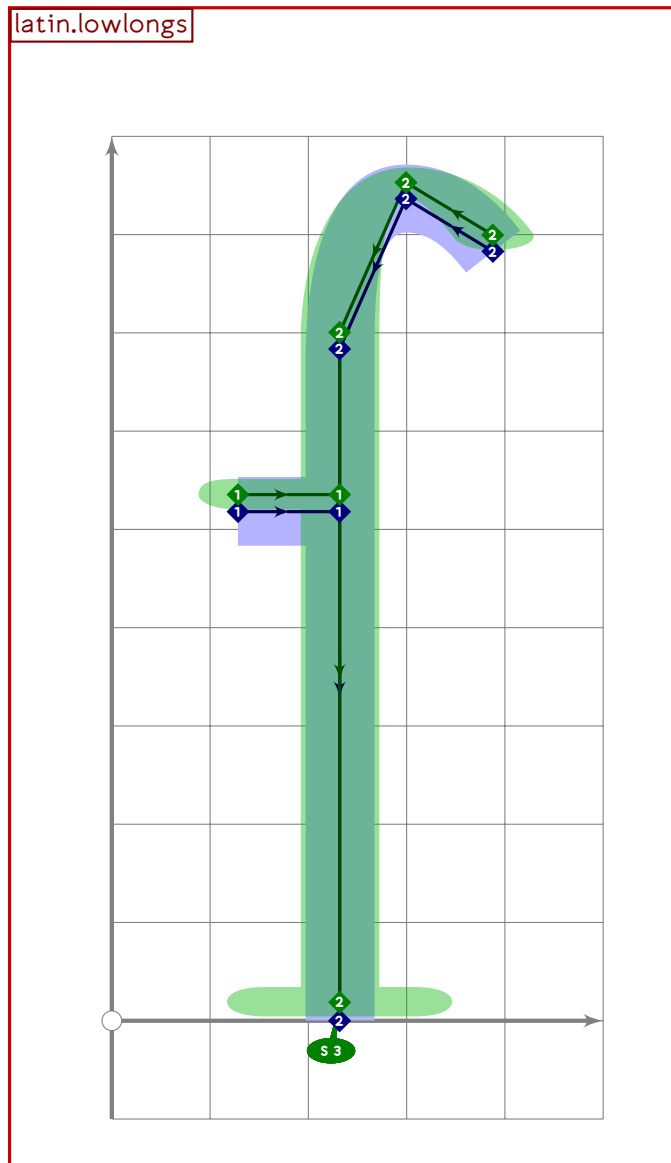


1363

```

1364 vardef tsu_curve.latin.lows =
1365   add_proof_box("latin.lows");
1366   transform ta,tb;
1367   path mycurve;
1368
1369   mycurve:=(1,0)..(0,1)..(-1,0);
1370
1371   y2=latin_wide_xheight_r;
1372   y0=y3=0.77[y6,y2];
1373   y4=0.53[y6,y2];
1374   y5=y8=0.25[y6,y2];
1375   y6=latin_wide_low_r;
1376
1377   0.48[x1,x7]=0.48[x2,x6]=0.48[x3,x5]=x4=500;
1378   x5-x1=5;
1379   x5-x7=(y2-y6)*0.67;
1380
1381   (point 0 of mycurve) transformed ta=z0;
1382   (point 0.35 of mycurve) transformed ta=z1;
1383   (point 1 of mycurve) transformed ta=z2;
1384   (point 2 of mycurve) transformed ta=z3;
1385   xypart ta=0;
1386
1387   (point 0 of mycurve) transformed tb=z8;
1388   (point 0.35 of mycurve) transformed tb=z7;
1389   (point 1 of mycurve) transformed tb=z6;
1390   (point 2 of mycurve) transformed tb=z5;
1391
1392   if sharp_corners:
1393     mycurve:=subpath (0.29,2) of mycurve;
1394   else:
1395     mycurve:=subpath (0.38,2) of mycurve;
1396   fi;
1397
1398   bp[sp]:=(mycurve transformed ta)..z4..(reverse mycurve transformed tb);
1399   bq[sp]:=(1.6,1.6)-(1.6,1.6)-(1.6,1.6)-(1.6,1.6)-(1.6,1.6)-(1.6,1.6)-(1.6,1.6);;
1400
1401   sp:=sp*1;
1402 enddef;

```

```

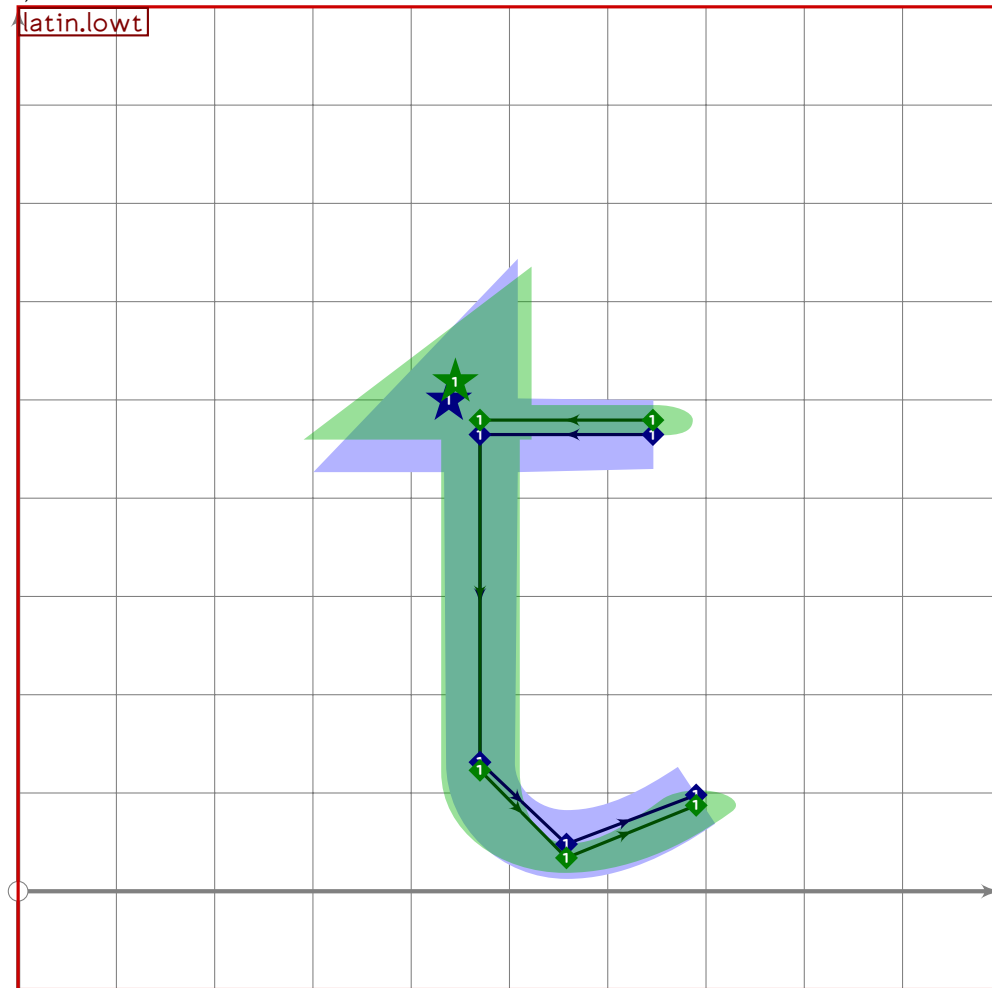
1403
1404 vardef tsu_curve.latin.lowlongs =
1405   add_proof_box("latin.lowlongs");
1406   (x2-x1)=290;
1407   x5=x6=490=0.52[x1,x2];
1408   x3-x5=2*(y4-y5);
1409   x4=0.38[x5,x3];
1410
1411   y1=y2=latin_wide_xheight_h;
1412   y5=0.52[y2,y4];
1413   y3=0.73[y2,y4];
1414   y4=latin_wide_high_r;
1415   y6=latin_wide_low_v;
1416
1417   bp[sp]:=z1-(x5,y1);
1418   bq[sp]:=(1.6,1.6)-(1.6,1.6);

```

```

1419
1420 bp[sp*1]:=z3{curl 0.6}..z4{left}..{dir 268}z5{down}-z6;
1421 bp[sp*1]:=subpath (0,2,3) of bp[sp*1];
1422 bq[sp*1]:=(1.6,1.6)-(1.6,1.6)-(1.6,1.6)-(1.6,1.6);
1423 bo_serif[sp*1][3]:=3;
1424
1425 sp:=sp*2;
1426 enddef;

```



```

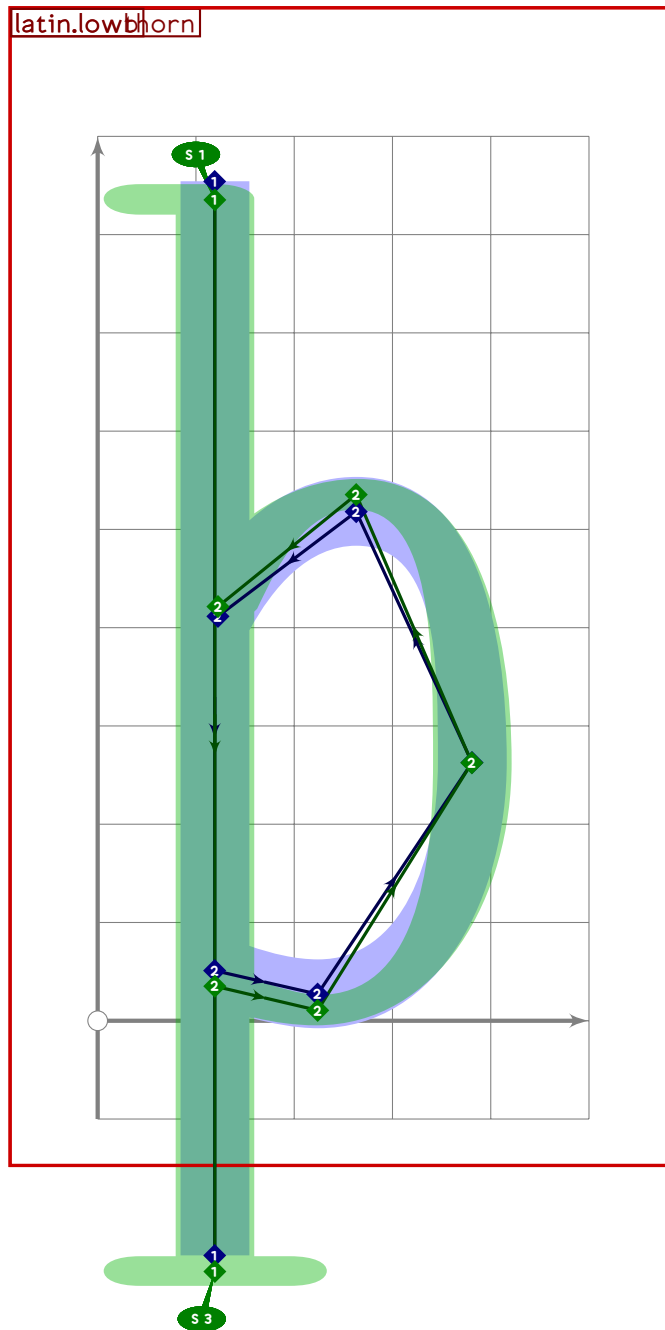
1427
1428 vardef tsu_curve.latin.lowt =
1429   add_proof_box("latin.lowt");
1430   x2=x3=x10=470;
1431   x1=0.2[x5,x2];
1432   x4=0.6[x5,x2];
1433   x5-x2=220;
1434
1435   y1=y2=y6=latin_wide_xheight_h;
1436   y3=0.2[y4,y1];
1437   y4=latin_wide_low_r;
1438   y5=0.12[y4,y1];
1439   y10=vmetric(0.83);

```

```

1440
1441 if is_proportional:
1442     z10-z6=whatever*dir 58;
1443 else:
1444     z10-z6=whatever*dir 47;
1445 fi;
1446
1447 if tsu_pbrush_size<30:
1448     bp[sp]:=z1-z6-z10-z3{down}..z4{right}..{curl 0.2}z5;
1449     bq[sp]:=(1.6,1.6)-(1.6,1.6)-(1.6,1.6)-(1.6,1.6)-(1.6,1.6)-(1.6,1.6);
1450     bo_tip[sp][1]:=1;
1451     bo_tip[sp][2]:=1;
1452 else:
1453     bp[sp]:=z1-z2-z3{down}..z4{right}..{curl 0.2}z5;
1454     bq[sp]:=(1.6,1.6)-(1.6,1.6)-(1.6,1.6)-(1.6,1.6)-(1.6,1.6);
1455     bo_tip[sp][1]:=0;
1456 fi;
1457
1458 bp[sp*1]:=z6-z1;
1459 bq[sp*1]:=(0,0)-(0,0);
1460
1461 x7=x8=x2;
1462 x9=x6;
1463
1464 y7=y9=y2;
1465
1466 if is_proportional:
1467     z8-z9=whatever*dir 58;
1468 else:
1469     z8-z9=whatever*dir 47;
1470 fi;
1471
1472 sp:=sp*2;
1473 if tsu_pbrush_size>=30:
1474     begingroup
1475         save t; transform t;
1476         t:=tsu_rescale_xform;
1477         lcblob1:=((z7 transformed t)*(mbrush_width,mbrush_height))-
1478                 ((z8 transformed t)*(mbrush_width,mbrush_height))-
1479                 ((z9 transformed t)*(mbrush_width,mbrush_height))-cycle;
1480         lcblob1:=lcblob1 transformed inverse t;
1481     endgroup;
1482 fi;
1483 enddef;

```



```

1484
1485 vardef tsu_curve.latin.lowthorn =
1486   add_proof_box("latin.lowthorn");
1487   sp:=sp*1;
1488   tsu_curve.latin.lowb;
1489   sp:=sp-2;
1490   bp[sp]:=(point 0 of bp[sp*1])-(xpart point 0 of bp[sp*1],latin_wide_desc_v);
1491   bq[sp]:=(1.6,1.6)-(1.6,1.6);
1492   bo_serif[sp][0]:=1;
1493   bo_serif[sp][1]:=3;
1494   bp[sp*1]:=subpath (1,infinity) of bp[sp*1];
1495   bq[sp*1]:=subpath (1,infinity) of bq[sp*1];

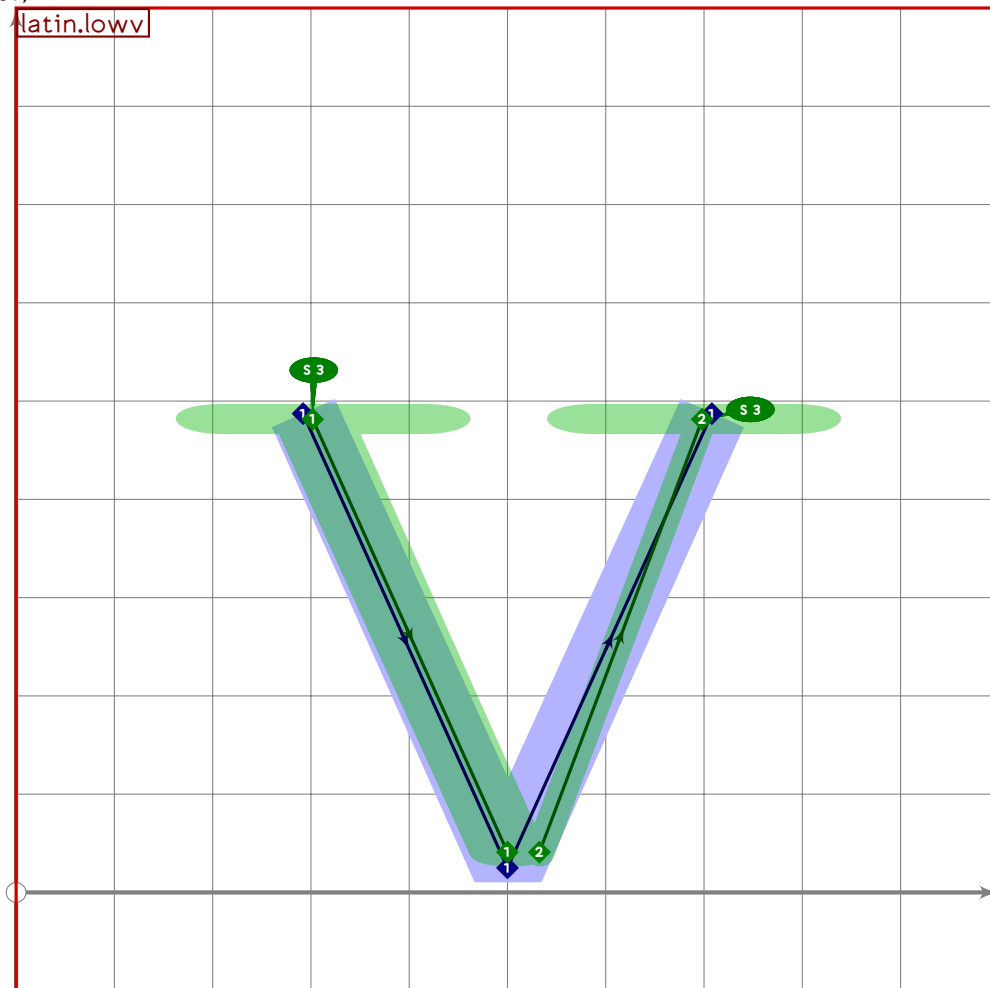
```



```

1517 bq[sp]:=(1.6,1.6)-(1.6,1.6);
1518 bo_serif[sp][0]:=2;
1519
1520 bp[sp*1]:=z3..z4{left}..z5{dir 93}-z6;
1521 bp[sp*1]:=subpath (0.03,3) of bp[sp*1];
1522 bq[sp*1]:=(1.6,1.6)-(1.6,1.6)-(1.6,1.6)-(1.6,1.6);
1523
1524 sp:=sp*2;
1525 enddef;

```



```

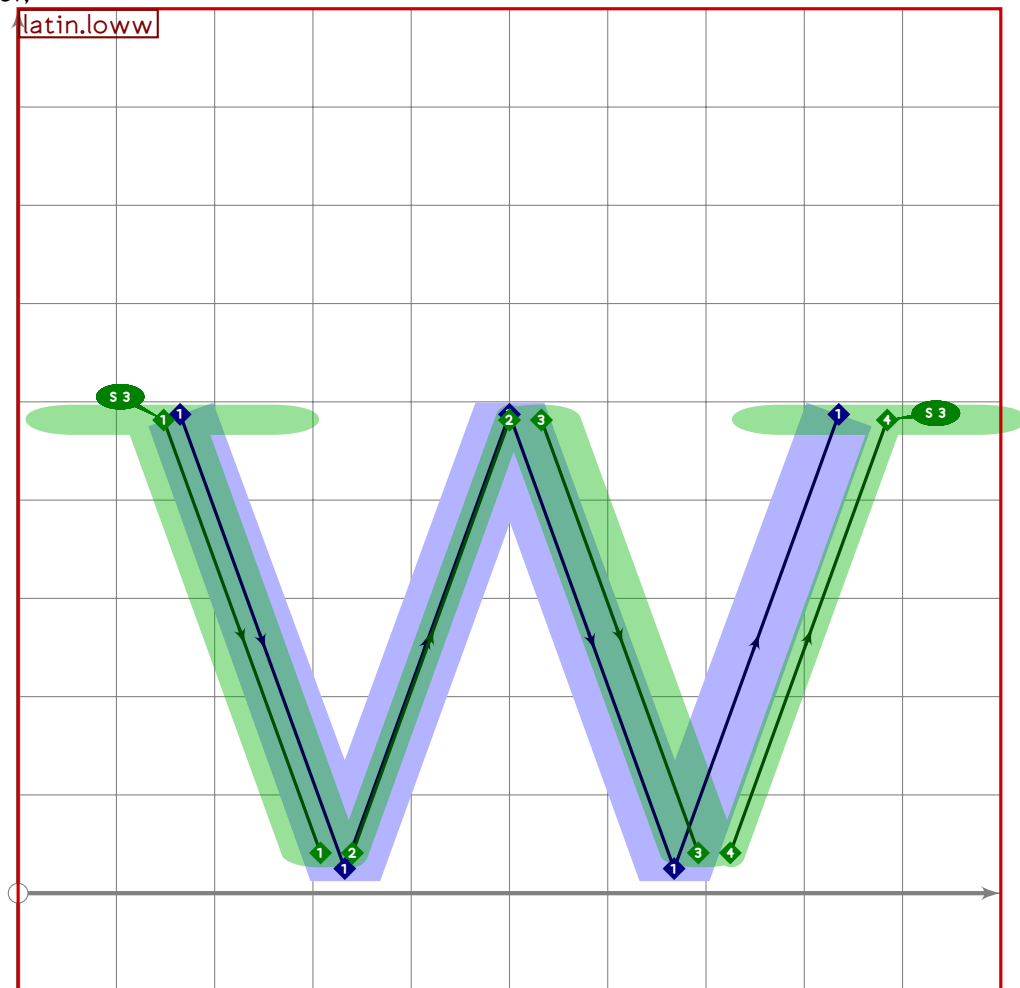
1526
1527 vardef tsu_curve.latin.lowv =
1528   add_proof_box("latin.lowv");
1529   (x1*x3)/2=x2=500;
1530
1531   y1=y3=latin_wide_xheight_v;
1532   y2=latin_wide_low_v;
1533
1534   (x3-x1)=(y1-y2)*0.9;
1535
1536   if do_alteration:
1537     bp[sp]:=z1-z2;

```

```

1538 bq[sp]:=(1.6,1.6)-(1.6,1.6);
1539 bo_serif[sp][0]:=3;
1540
1541 bp[sp*1]:=(z2*alternate_adjust*right)-z3;
1542 bq[sp*1]:=(1.6,1.6)-(1.6,1.6);
1543 bo_serif[sp*1][1]:=3;
1544 bo_alterate[sp*1]:=true;
1545
1546 sp:=sp*2;
1547 else:
1548 bp[sp]:=z1-z2-z3;
1549 bq[sp]:=(1.6,1.6)-(1.6,1.6)-(1.6,1.6);
1550 bo_tip[sp][1]:=0;
1551 bo_serif[sp][0]:=1;
1552
1553 sp:=sp*1;
1554 fi;
1555 enddef;

```



```

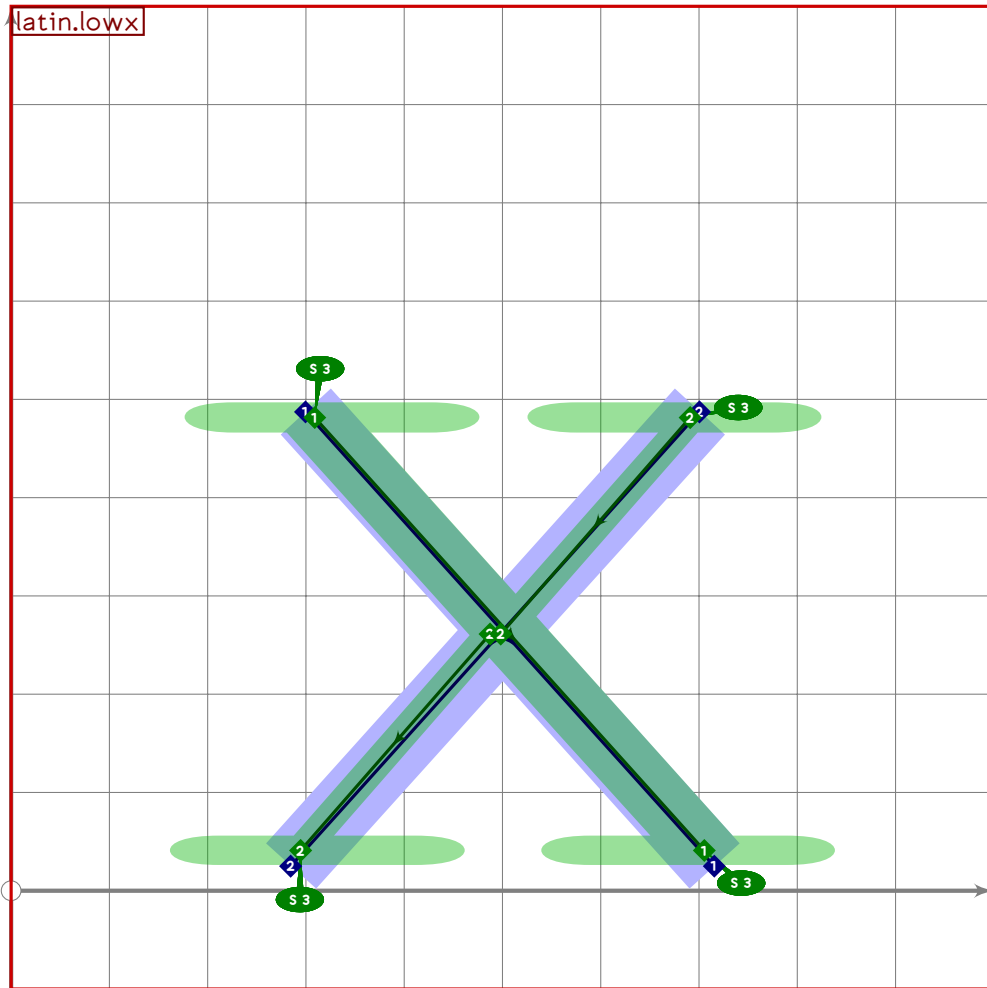
1556
1557 vardef tsu_curve.latin.loww =
1558   add_proof_box("latin.loww");

```

```

1559 (x1+x5)/2=(x2+x4)/2=x3=500;
1560 (x3-x2)=(x2-x1);
1561
1562 y1=y3=y5=latin_wide_xheight_v;
1563 y2=y4=latin_wide_low_v;
1564
1565 (x5-x1)=(y1-y2)*1.45;
1566
1567 if do_alteration:
1568   bp[sp]:=(z1-z2) shifted (alternate_adjust*left);
1569   bq[sp]:=(1.6,1.6)-(1.6,1.6);
1570   bo_serif[sp][0]:=3;
1571
1572   bp[sp*1]:=z2-z3;
1573   bq[sp*1]:=(1.6,1.6)-(1.6,1.6);
1574   bo_alterate[sp*1]:=true;
1575
1576   bp[sp*2]:=z3-z4 shifted (alternate_adjust*right);
1577   bq[sp*2]:=(1.6,1.6)-(1.6,1.6);
1578
1579   bp[sp*3]:=z4-z5 shifted (alternate_adjust*right*2);
1580   bq[sp*3]:=(1.6,1.6)-(1.6,1.6);
1581   bo_serif[sp*3][1]:=3;
1582   bo_alterate[sp*3]:=true;
1583
1584   sp:=sp*4;
1585 else:
1586   bp[sp]:=z1-z2-z3-z4-z5;
1587   bq[sp]:=(1.6,1.6)-(1.6,1.6)-(1.6,1.6)-(1.6,1.6)-(1.6,1.6);
1588   bo_tip[sp][1]:=0;
1589   bo_tip[sp][2]:=0;
1590   bo_tip[sp][3]:=0;
1591   bo_serif[sp][0]:=1;
1592
1593   sp:=sp*1;
1594 fi;
1595 endif;

```

```

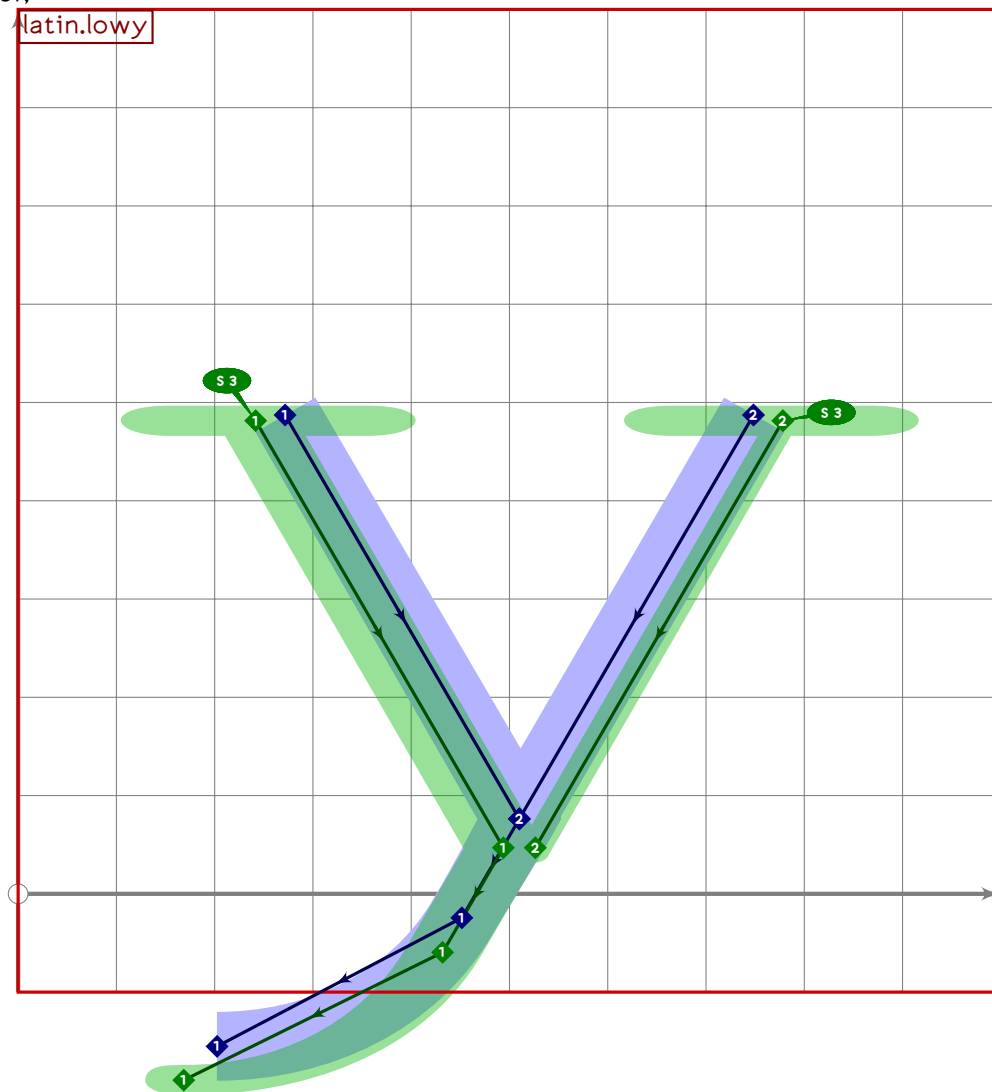
1596
1597 vardef tsu_curve.latin.lowx =
1598   add_proof_box("latin.lowx");
1599   (x1*x3)/2=500;
1600   (x2*x4)/2=500;
1601   (x2*x3-x1*x4)=((y1-y2)*0.9)*2;
1602   (x3-x1)=(x2-x4)*0.93;
1603
1604   y1=y3=latin_wide_xheight_v;
1605   y2=y4=latin_wide_low_v;
1606
1607   bp[sp]:=z1-z2;
1608   bq[sp]:=(1.6,1.6)-(1.6,1.6);
1609   bo_serif[sp][0]:=3;
1610   bo_serif[sp][1]:=3;
1611
1612   if do_alteration:
1613     bp[sp*1]:=z3-(0.5[z3,z4]*alternate_adjust*right/6)
1614       -(0.5[z3,z4]*alternate_adjust*left/6)-z4;
1615     bq[sp*1]:=(1.6,1.6)-(1.6,1.6)-(1.6,1.6)-(1.6,1.6);
1616     bo_serif[sp*1][0]:=3;

```

```

1617 bo_serif[sp*1][3]:=3;
1618 else:
1619 bp[sp*1]:=z3-z4;
1620 bq[sp*1]:=(1.6,1.6)-(1.6,1.6);
1621 bo_serif[sp*1][0]:=3;
1622 bo_serif[sp*1][1]:=3;
1623 fi;
1624 bo_alterate[sp*1]:=true;
1625
1626 sp:=sp*2;
1627 enddef;

```



```

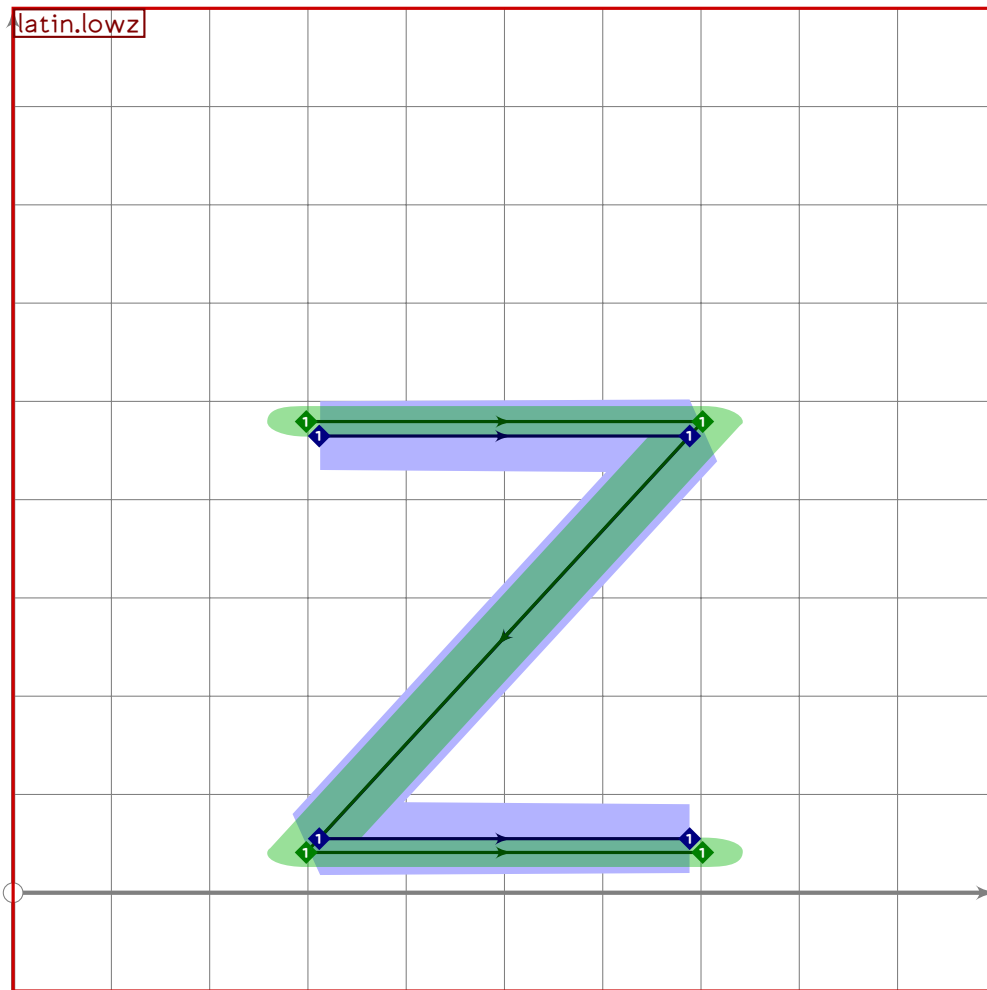
1628
1629 vardef tsu_curve.latin.lowy =
1630 add_proof_box("latin.lowy");
1631 (x1+x3)/2=(x2+x4)/2=510;
1632 (x2*x3-x1-x4)=((y1-y2)*0.58)*2;
1633 (x3-x1)=(x2-x4)*0.93;
1634 x5=x4-0.1*(x2-x4);

```

```

1635
1636 y1=y3=latin_wide_xheight_v;
1637 y2=y4;
1638 y5=0.5[y4,latin_wide_low_h]=latin_wide_desc_h;
1639
1640 bp[sp]:=z1-z2;
1641 bq[sp]:=(1.6,1.6)-(1.6,1.6);
1642
1643 bp[sp*1]:=z3..tension 10..(0.6[z3,z4])..tension 0.8 and 3..{left}z5;
1644 bq[sp*1]:=(1.6,1.6)-(1.6,1.6)-(1.6,1.6);
1645
1646 numeric xchgtime;
1647 xchgtime:=ypart (bp[sp] intersectiontimes bp[sp*1]);
1648
1649 bp[sp]:=z1-subpath (xchgtime,infinity) of bp[sp*1];
1650 bq[sp]:=(1.6,1.6)-subpath (xchgtime,infinity) of bq[sp*1];
1651 bp[sp*1]:=subpath (0,xchgtime) of bp[sp*1];
1652 bq[sp*1]:=subpath (0,xchgtime) of bq[sp*1];
1653
1654 bo_serif[sp][0]:=3;
1655 bo_serif[sp*1][0]:=3;
1656 bo_tip[sp][1]:=1;
1657 bo_alternate[sp*1]:=true;
1658
1659 if do_alteration:
1660   bp[sp]:=bp[sp] shifted (alternate_adjust*left/2);
1661   bp[sp*1]:=bp[sp*1] shifted (alternate_adjust*right/2);
1662 fi;
1663
1664 sp:=sp*2;
1665 enddef;

```



```

1666
1667 vardef tsu_curve.latin.lowz =
1668   add_proof_box("latin.lowz");
1669   y1=y2=latin_wide_xheight_h;
1670   y3=y4=latin_wide_low_h;
1671
1672   x1=x3;
1673   x2=x4;
1674   (x1+x2)/2=500;
1675   (x2-x1)=(y1-y3)*0.92;
1676
1677   bp[sp]:=z1-z2-z3-z4;
1678   bq[sp]:=(1.6,1.6)-(1.6,1.6)-(1.6,1.6)-(1.6,1.6);
1679   bo_tip[sp][1]:=0;
1680   bo_tip[sp][2]:=0;
1681
1682   sp:=sp*1;
1683 enddef;

```

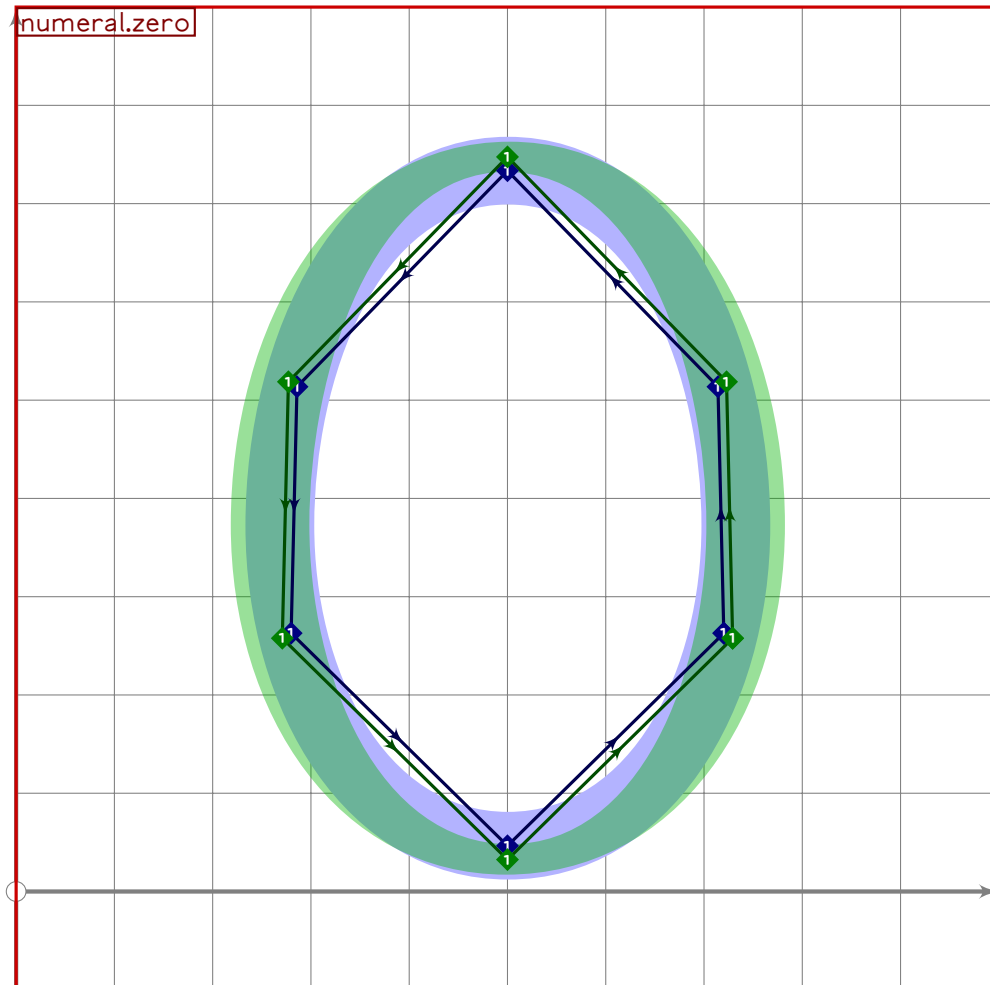
numerals.mp

```
1 %  
2 % Hindu/Arabic numerals for Tsukurimashou  
3 % Copyright (C) 2011 Matthew Skala  
4 %
```

```
5-29 [Standard copyright notice]
```

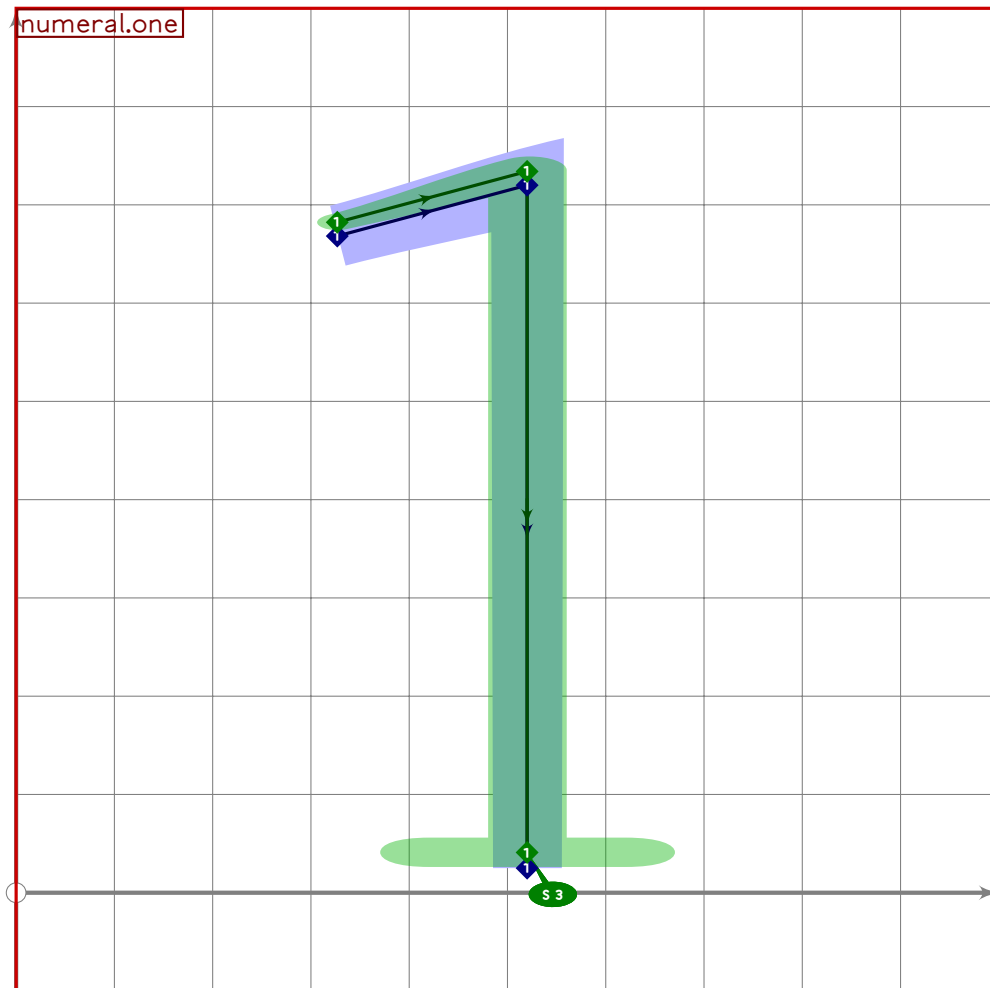
```
30
```

```
31
```



```
32
```

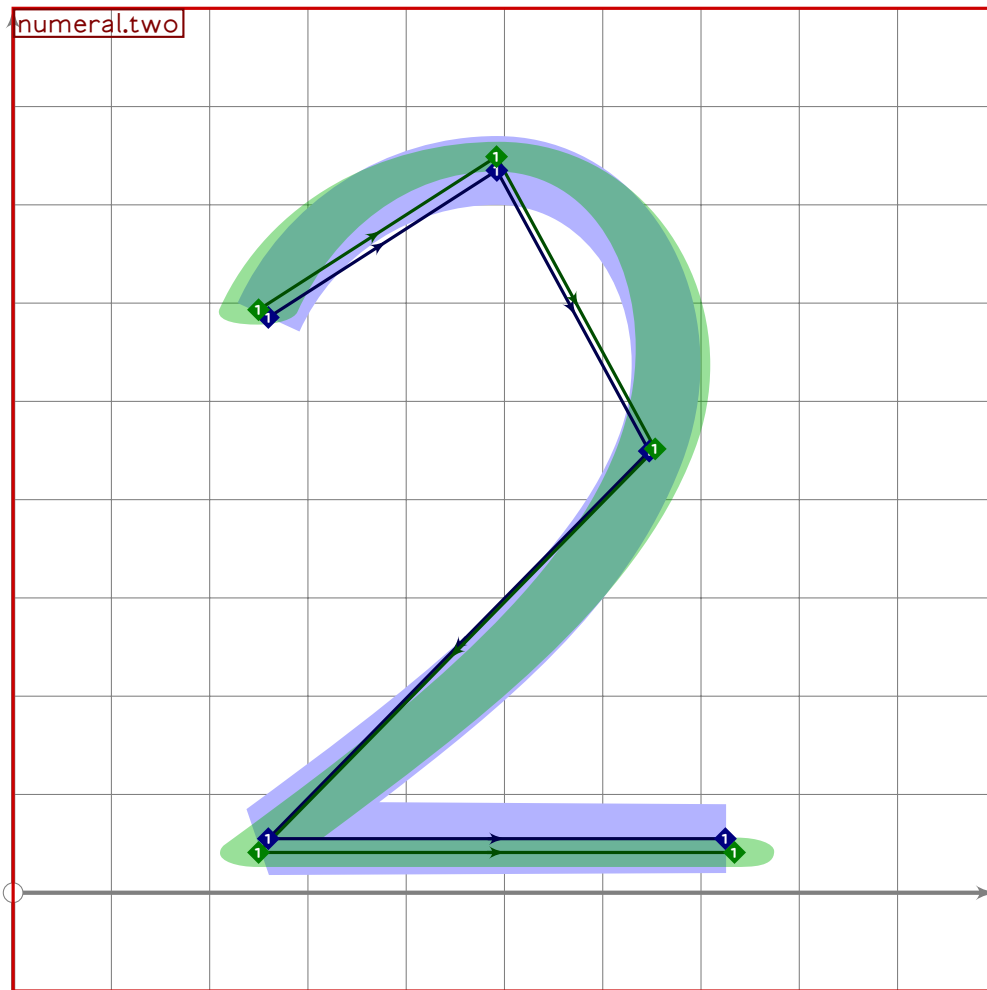
```
33 vardef tsu_curve.numeral.zero =  
34   add_proof_box("numeral.zero");  
35   bp[sp]:=((0.74*dir 330)..(0.72*dir 30)..(up)..  
36     (0.72*dir 150)..(0.74*dir 210)..(down)..cycle)  
37   scaled ((latin_wide_high_r-latin_wide_low_r)/2)  
38   shifted centre_pt;  
39   bq[sp]:=(1.6,1.6)-(1.6,1.6)-(1.6,1.6)-(1.6,1.6)-(1.6,1.6)-(1.6,1.6)-cycle;  
40   sp:=sp*1;  
41 enddef;
```



```

42
43 vardef tsu_curve.numeral.one =
44   add_proof_box("numeral.one");
45   x3=x2+520;
46
47   y2=latin_wide_high_h;
48   y3=latin_wide_low_v;
49
50   z1=z2+200*dir 195;
51
52   bp[sp]:=z1-z2-z3;
53   bq[sp]:=(1.1,1.1)-(1.6,1.6)-(1.6,1.6);
54   bo_tip[sp][1]:=1;
55   bo_serif[sp][2]:=3;
56   sp:=sp*1;
57 enddef;

```



```

58
59 vardef tsu_curve.numeral.two =
60   add_proof_box("numeral.two");
61   x1=x4;
62   0.62[x1,x3]=500;
63   x2=0.6[x1,x3];
64   x5=1.2[x1,x3];
65   x3-x1=0.57*(y2-y4);
66
67   y1=0.78[y4,y2];
68   y2=latin_wide_high_r;
69   y3=0.58[y4,y2];
70   y4=y5=latin_wide_low_h;
71
72   bp[sp]:=z1..z2{right}..z3..tension 1.2..{curl 0}z4-z5;
73   bq[sp]:=(1.6,1.6)-(1.6,1.6)-(1.6,1.6)-(1.6,1.6)-(1.6,1.6);
74   bo_tip[sp][3]:=0;
75   sp:=sp*1;
76 enddef;

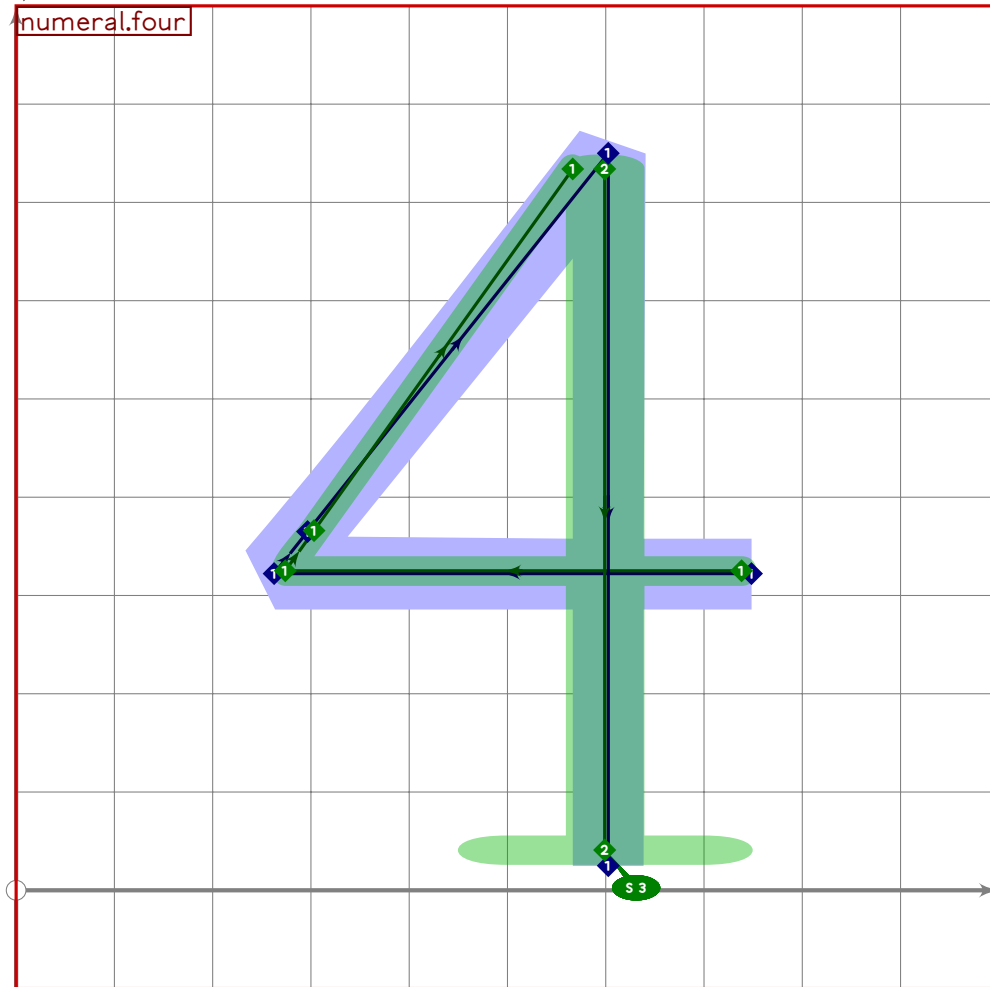
```



```

98 bo_tip[sp][3]:=0;
99 sp:=sp*1;
100 enddef;

```



```

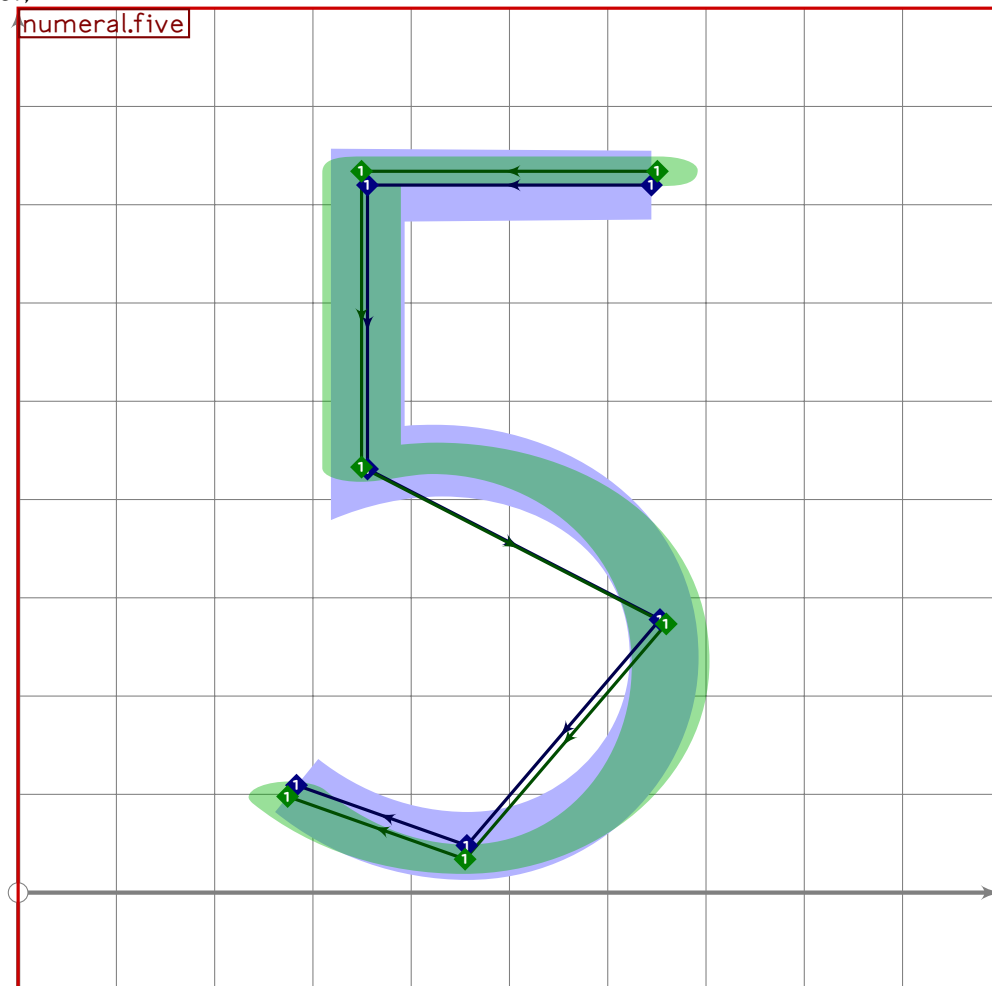
101
102 vardef tsu_curve.numeral.four =
103   add_proof_box("numeral.four");
104   x3=x4=0.7[x2,x1];
105   0.53[x2,x1]=520;
106   (x1-x2)=0.67(y3-y4);
107
108   y1=y2=0.41[y4,y3];
109   y3=latin_wide_high_v;
110   y4=latin_wide_low_v;
111
112   if do_alteration:
113     bp[sp]:=z1-z2-(0.1[z2,(z3+alternate_adjust*left)]-
114       (z3+alternate_adjust*left));
115     bq[sp]:=(1.6,1.6)-(1.6,1.6)-(1.6,1.6)-(1.6,1.6);
116     bo_tip[sp][1]:=0;
117     bo_tip[sp][2]:=0;
118     bo_alterate[sp]:=true;

```

```

119
120   bp[sp*1]:=z3-z4;
121   bq[sp*1]:=(1.6,1.6)-(1.6,1.6);
122   bo_tip[sp*1][0]:=0;
123   bo_serif[sp*1][1]:=3;
124   sp:=sp*2;
125  else:
126   bp[sp]:=z1-z2-(0.1[z2,z3])-z3-z4;
127   bq[sp]:=(1.6,1.6)-(1.6,1.6)-(1.6,1.6)-(1.6,1.6)-(1.6,1.6);
128   bo_tip[sp][1]:=0;
129   bo_tip[sp][3]:=0;
130   bo_serif[sp][4]:=3;
131   sp:=sp*1;
132  fi;
133 enddef;

```



```

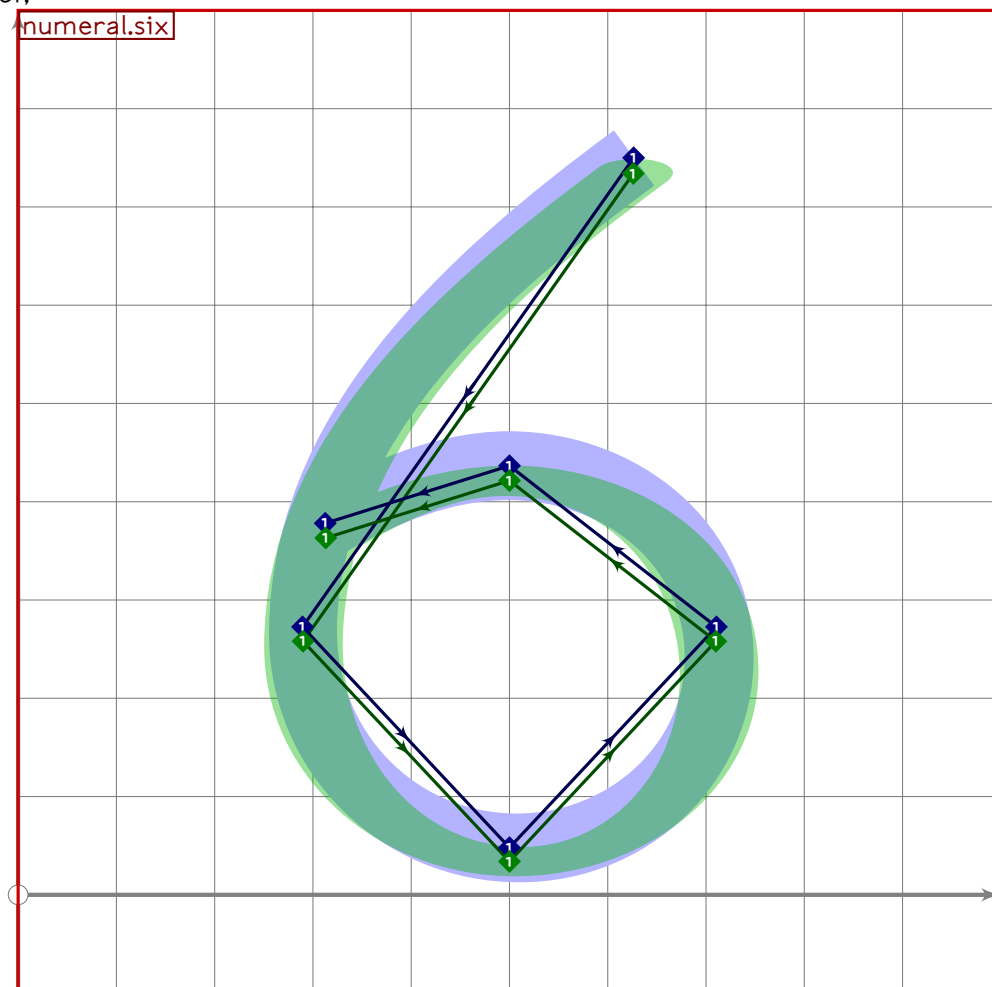
134
135 vardef tsu_curve.numeral.five =
136   add_proof_box("numeral.five");
137   (x1-x2)/2=500;
138   (x1-x2)=(y2-y3);
139   x2=x3;

```

```

140 x4=1.03[x2,x1];
141 x5=0.35[x2,x1];
142 x6=(-0.25)[x2,x1];
143
144 y1=y2=latin__wide__high__h;
145 y3=0.57[y5,y1];
146 y4=0.6[y5,y3];
147 y5=latin__wide__low__r;
148 y6=0.16[y5,y3];
149
150 bp[sp]:=z1-z2-z3{curl 0.5}..z4..z5{left}..z6;
151 bq[sp]:=(1.6,1.6)-(1.6,1.6)-(1.6,1.6)-(1.6,1.6)-(1.6,1.6)-(1.6,1.6);
152 bo_tip[sp][1]:=1;
153 bo_tip[sp][2]:=1;
154 sp:=sp*1;
155 enddef;

```



```

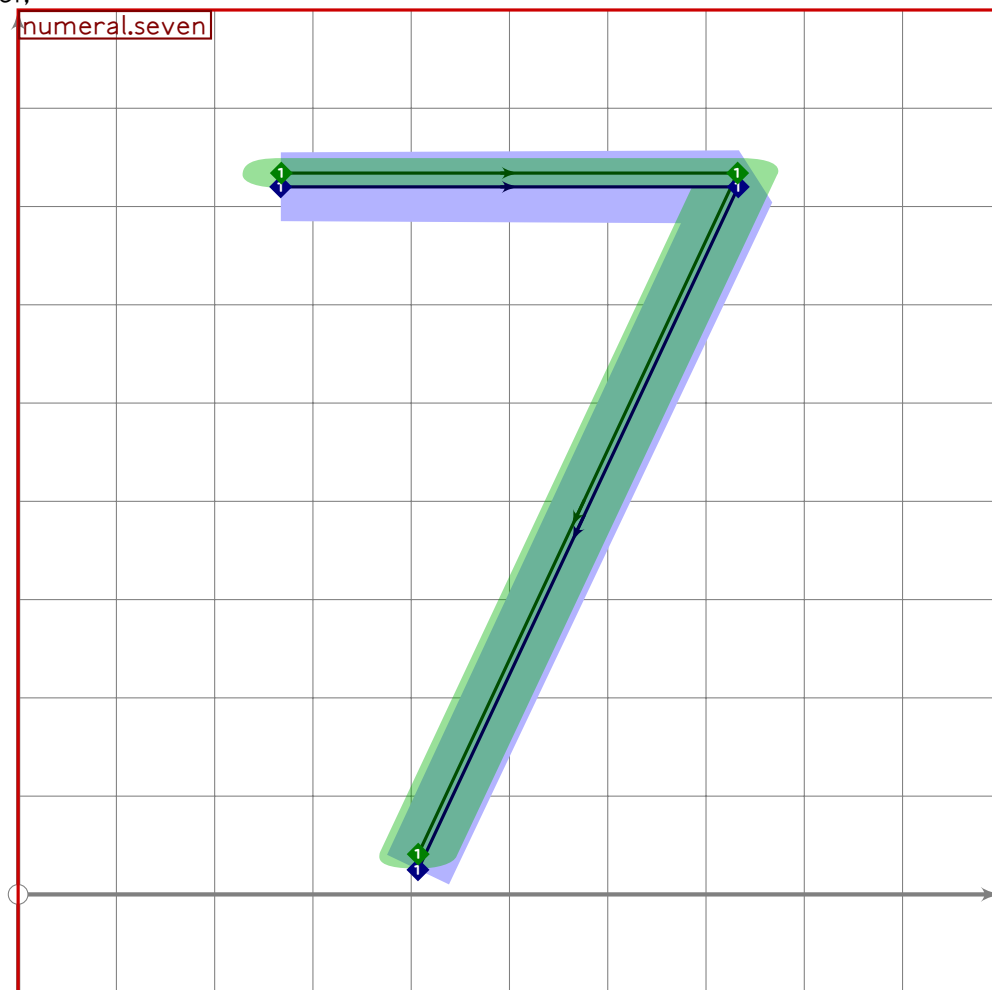
156
157 vardef tsu_curve.numeral.six =
158   add_proof_box("numeral.six");
159   x1=0.8[x2,x4];
160   (x2*x4)/2=x3=500;

```

```

161 (x4-x2)=0.6(y1-y3);
162 x5=x3;
163
164 y1=latin_wide_high_v;
165 y2=y4=0.32[y3,y1];
166 y3=latin_wide_low_r;
167 y5-y4=0.73*(y4-y3);
168
169 bp[sp]:=z1{curl 0.2}..tension 1.2..z2..z3..z4{dir 100};
170 bp[sp]:=z1{curl 0.2}..tension 1.2..z2..z3..z4{dir 100}..
171   z5..{curl 0.2}(point 0.8 of bp[sp]);
172 bq[sp]:=(1.6,1.6)-(1.6,1.6)-(1.6,1.6)-(1.6,1.6)-(1.6,1.6);
173 sp:=sp*1;
174 enddef;

```



```

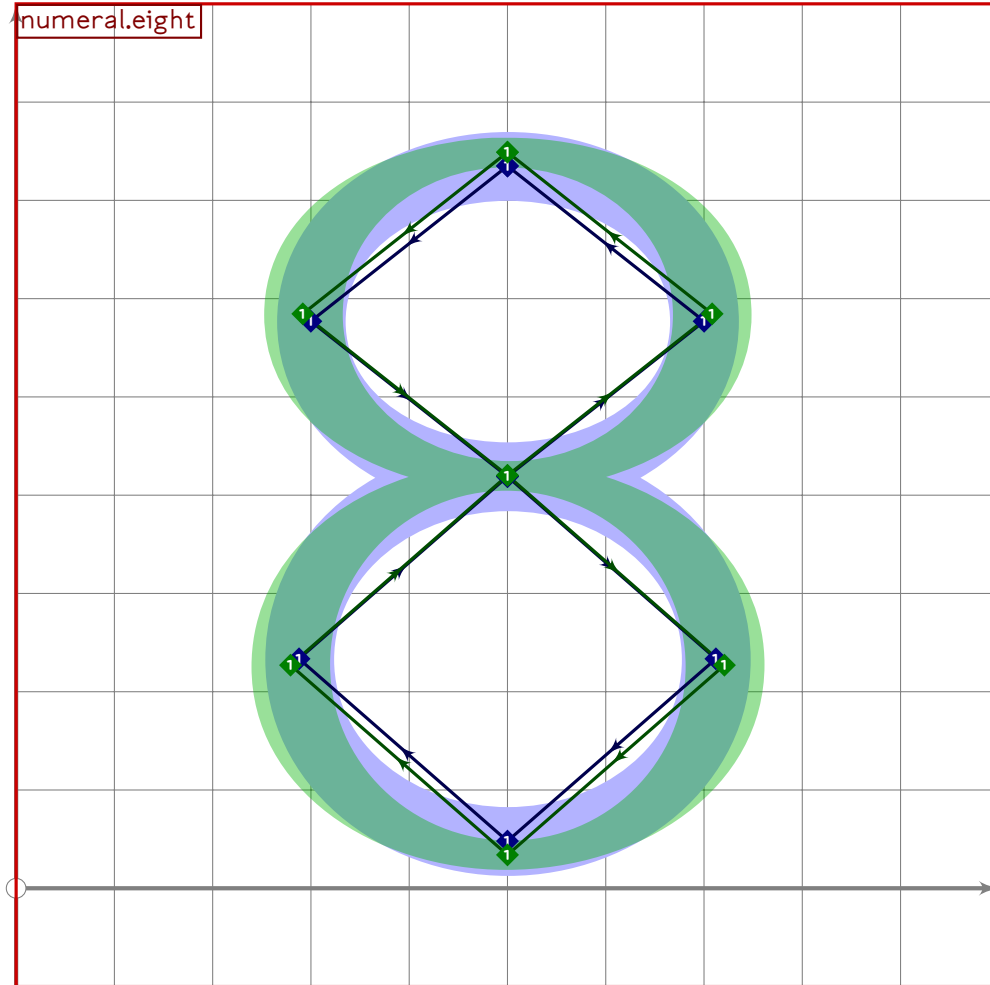
175
176 vardef tsu_curve.numeral.seven =
177   add_proof_box("numeral.seven");
178   (x1*x2)/2=500;
179   x3=0.3[x1,x2];
180   (x2-x1)=0.67*(y1-y3);
181

```

```

182 y1=y2=latin_wide_high_h;
183 y3=latin_wide_low_v;
184
185 bp[sp]:=z1-z2-z3;
186 bq[sp]:=(1.6,1.6)-(1.6,1.6)-(1.6,1.6);
187 bo_tip[sp][1]:=0;
188 sp:=sp+1;
189 enddef;

```



```

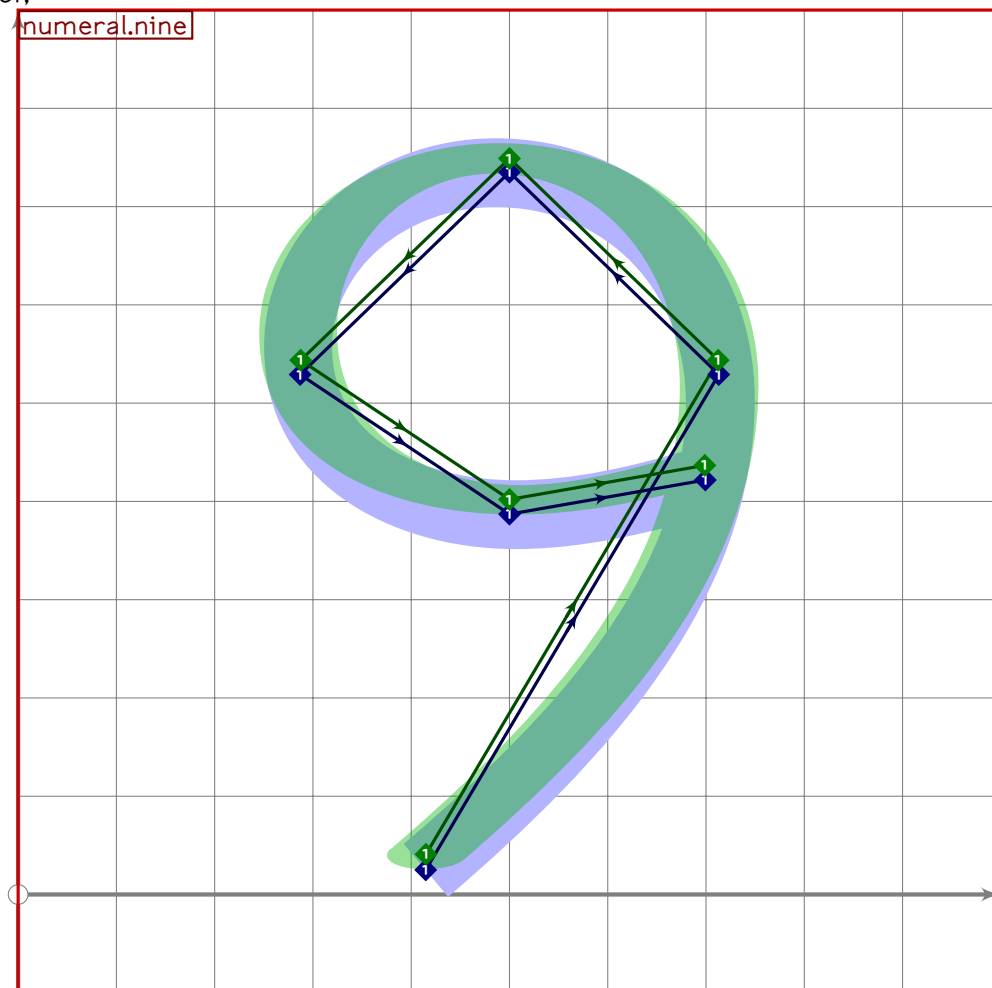
190
191 vardef tsu_curve.numeral.eight =
192   add_proof_box("numeral.eight");
193   x1=x3=x5=x7=(x2+x8)/2=(x4+x6)/2=500;
194   (x4-x6)=1.06*(x8-x2);
195   (x4+x8-x6-x2)/2=0.6*(y1-y5);
196
197   y1=latin_wide_high_r;
198   y2=y8=0.5[y3,y1];
199   y3=y7=0.54[y5,y1];
200   y4=y6=0.5[y5,y3];
201   y5=latin_wide_low_r;
202

```

```

203 bp[sp]:=z1..z2..z3{right}..z4..z5..z6..z7{right}..z8..cycle;
204 bq[sp]:=(1.6,1.6)-(1.6,1.6)-(1.6,1.6)-(1.6,1.6)-(1.6,1.6)-(1.6,1.6)-(1.6,1.6)-(1.6,1.6)-cycle;
205 sp:=sp^1;
206 enddef;

```



```

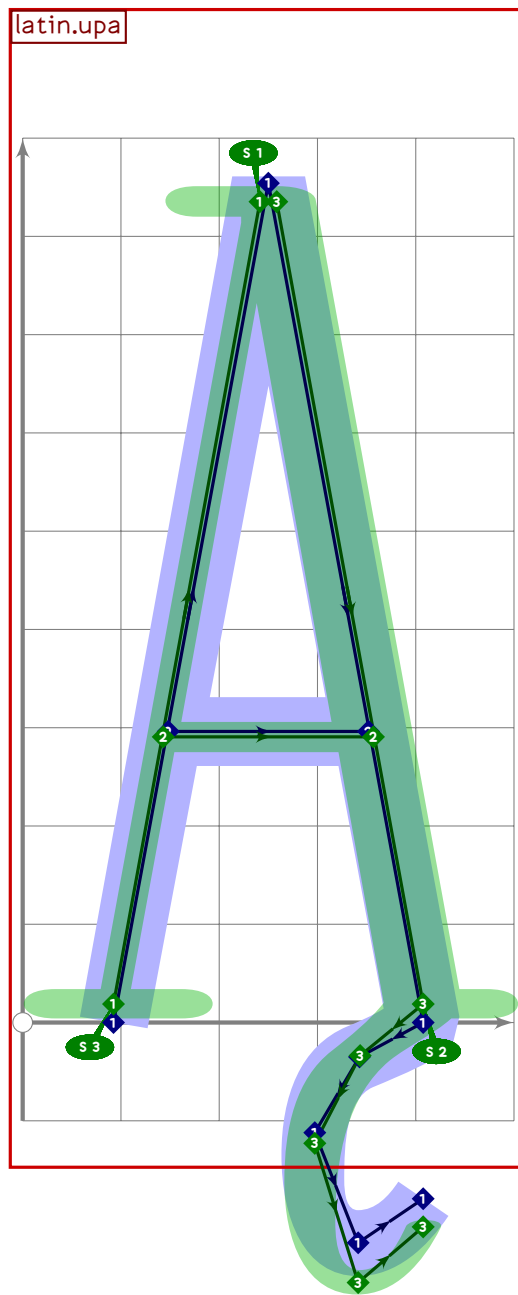
207
208 vardef tsu_curve.numeral.nine =
209   add_proof_box("numeral.nine");
210   x1=0.3[x4,x2];
211   (x2+x4)/2=x3=500;
212   (x2-x4)=0.6(y3-y1);
213   x5=x3;
214
215   y1=latin_wide_low_v;
216   y2=y4=0.29[y3,y1];
217   y3=latin_wide_high_r;
218   y5-y4=0.69*(y4-y3);
219
220   bp[sp]:=z1{curl 0.2}..tension 1.2..z2..z3..z4{dir 280};
221   bp[sp]:=z1{curl 0.2}..tension 1.2..z2..z3..z4{dir 280}..
222     z5..{curl 0.2}(point 0.8 of bp[sp]);
223   bq[sp]:=(1.6,1.6)-(1.6,1.6)-(1.6,1.6)-(1.6,1.6)-(1.6,1.6);

```

```
224 sp:=sp1;  
225 enddef;
```

ogonek.mp

```
1 %  
2 % Ogonek letters for Tsukurimashou  
3 % Copyright (C) 2011 Matthew Skala  
4 %  
5-29 [Standard copyright notice]  
30  
31
```



```
32  
33 vardef tsu_curve.latin.upaogonek =  
34   add_proof_box("latin.upaogonek");  
35   tsu_curve.latin.upa;
```

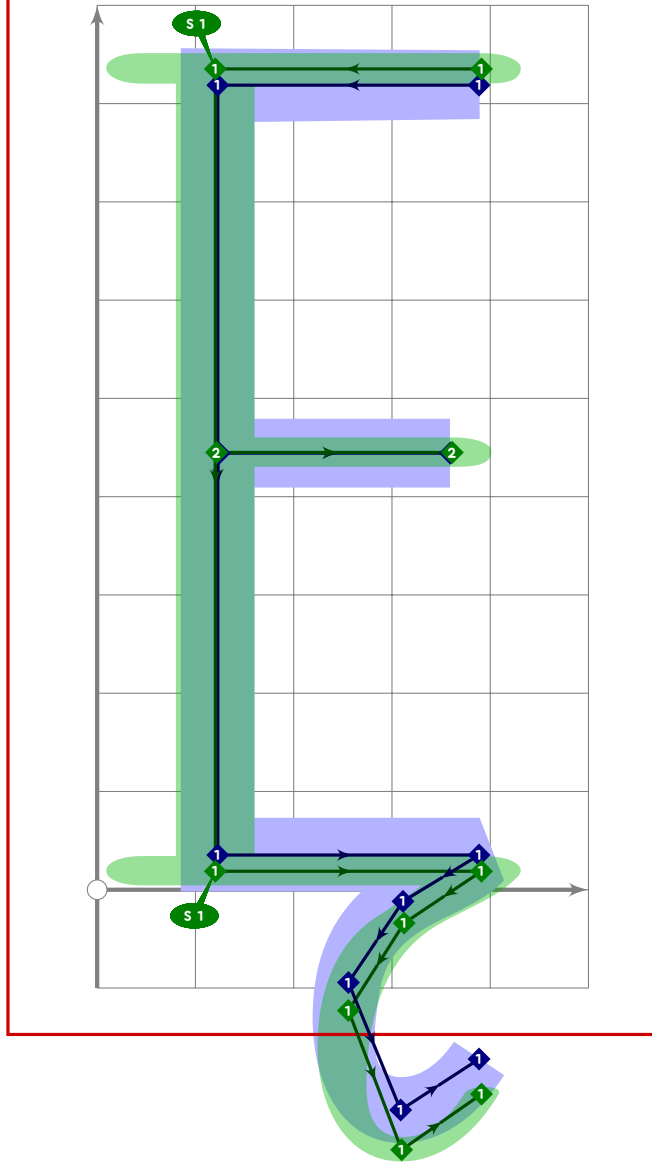


```

36
37 x6=0.3[x2,x3];
38 x7=0.4[x6,x8];
39 x8=x3;
40
41 y6=0.5[y7,y3];
42 y7=latin_wide_desc_r;
43 y8=0.2[y7,y3];
44
45 if do_alteration:
46   bp[sp-1]:=bp[sp-1]{dir 210}..z6..z7{right}..z8;
47   bp[sp-1]:=insert_nodes(bp[sp-1])(length(bp[sp-1])-2.5);
48   bq[sp-1]:=bq[sp-1]-(1.4,1.4)-(1.3,1.3)-(1.4,1.4)-(1,1);
49   bo_serif[sp-1][1]:=2;
50   bo_tip[sp-1][length(bp[sp-1])-4]:=1;
51 else:
52   bp[sp-2]:=bp[sp-2]{dir 210}..z6..z7{right}..z8;
53   bp[sp-2]:=insert_nodes(bp[sp-2])(length(bp[sp-2])-2.5);
54   bq[sp-2]:=bq[sp-2]-(1.4,1.4)-(1.3,1.3)-(1.4,1.4)-(1,1);
55   bo_serif[sp-2][1]:=2;
56   bo_tip[sp-2][length(bp[sp-2])-4]:=1;
57 fi;
58 enddef;

```

latin.upe

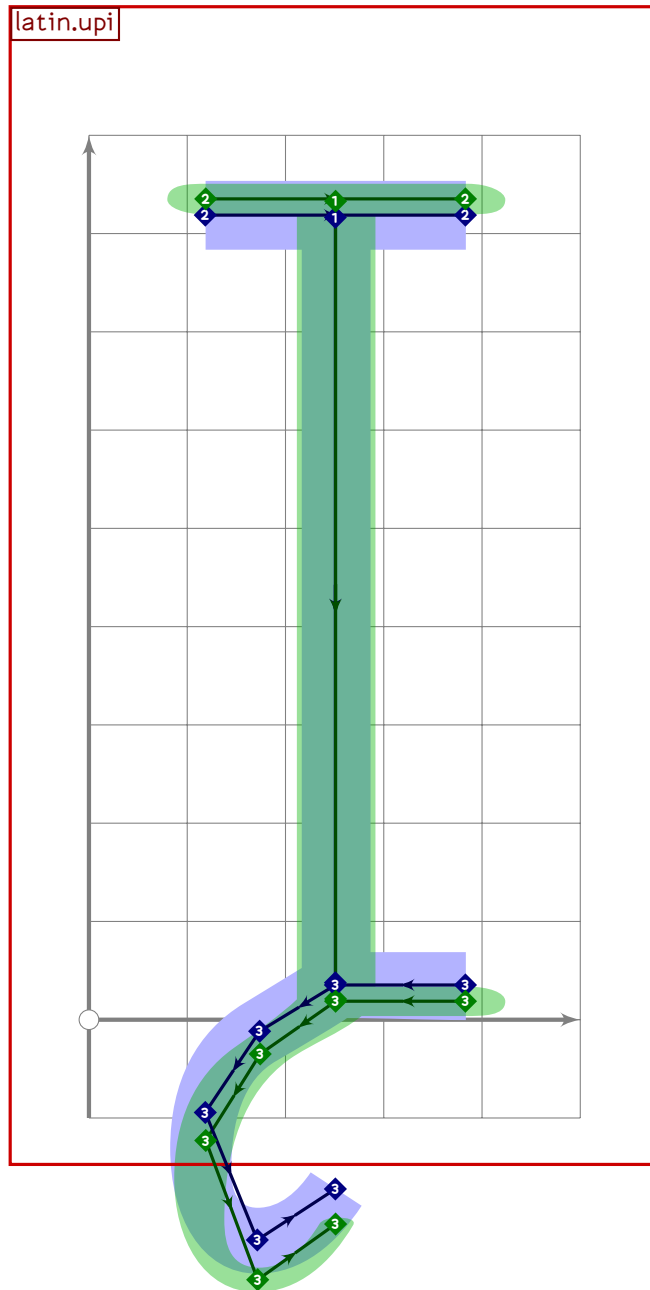


```
59
60 vardef tsu_curve.latin.upeogonek =
61   add_proof_box("latin.upeogonek");
62   tsu_curve.latin.upe;
63
64   x7=0.5[x3,x4];
65   x8=0.4[x7,x9];
66   x9=x4;
67
68   y7=0.5[y8,y4];
69   y8=latin_wide_desc_r;
70   y9=0.2[y8,y4];
71
```

```

72 bp[sp-2]:=bp[sp-2]{dir 210}.z7..z8{right}.z9;
73 bp[sp-2]:=insert_nodes(bp[sp-2])(length(bp[sp-2])-2.5);
74 bq[sp-2]:=bq[sp-2]-(1.4,1.4)-(1.3,1.3)-(1.4,1.4)-(1,1);
75 bo_tip[sp-2][length(bp[sp-2])-4]:=0;
76 enddef;

```



```

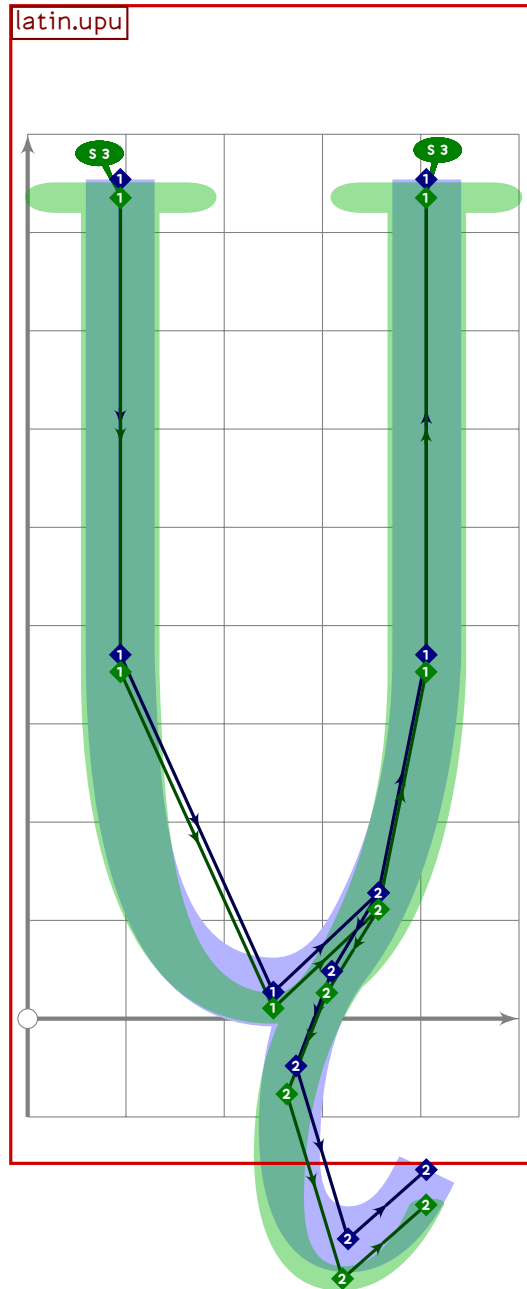
77
78 vardef tsu_curve.latin.upiogonek =
79   add_proof_box("latin.upiogonek");
80   tsu_curve.latin.upi;
81
82   x1=x4=500;
83   x2=300;
84   x3=0.4[x2,x4];

```

```

85
86 y1=latin_wide_low_h;
87 y2=0.5[y3,y1];
88 y3=latin_wide_desc_r;
89 y4=0.2[y3,y1];
90
91 bp[sp-1]:=(700,latin_wide_low_h)-z1{dir 210}..z2..z3{right}..z4;
92 bp[sp-1]:=insert_nodes(bp[sp-1])(1.5);
93 bq[sp-1]:=(1.6,1.6)-(1.6,1.6)-(1.4,1.4)-(1.3,1.3)-(1.4,1.4)-(1,1);
94 enddef;

```



```

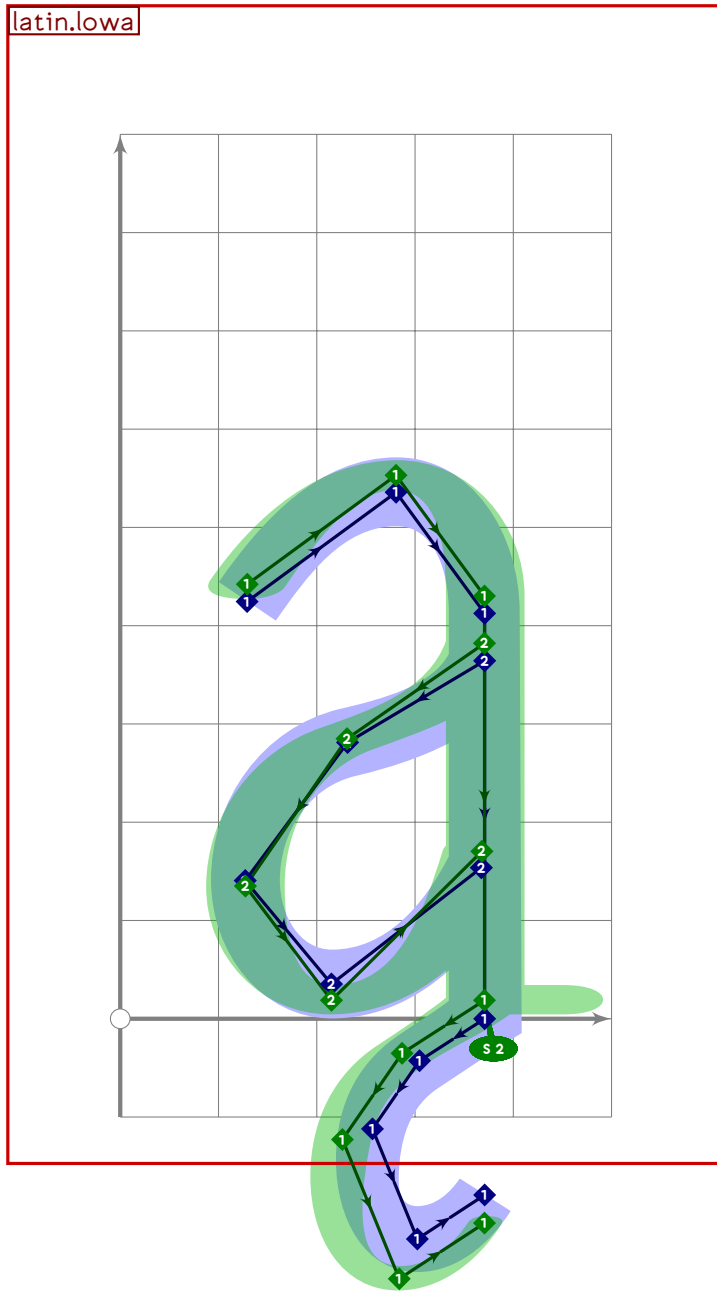
95
96 vardef tsu_curve.latin.upuogonek =
97   add_proof_box("latin.upuogonek");

```

```

98  tsu_curve.latin.upu;
99
100 bp[sp-1]:=insert__nodes(bp[sp-1])(2.5);
101 bq[sp-1]:=insert__nodes(bq[sp-1])(2.5);
102 bo_serif[sp-1][5]:=bo_serif[sp-1][4];
103 bo_serif[sp-1][4]:=whatever;
104
105 z6=point 3 of bp[sp-1];
106
107 y7=0.5[y8,y6];
108 y8=latin_wide_desc_r;
109 y9=0.2[y8,y6];
110
111 x9-x7=(x4-x2)*((y6-y8)/(y1-y3));
112 x8=0.4[x7,x9];
113 x9=x4;
114
115 bp[sp]:=z6{direction 3 of bp[sp-1]}..z7..z8{right}..z9;
116 bp[sp]:=insert__nodes(bp[sp])(length(bp[sp])-2.5);
117 bq[sp]:=(1.1,1.1)-(1.4,1.4)-(1.3,1.3)-(1.4,1.4)-(1,1);
118
119 sp:=sp*1;
120 enddef;

```



```

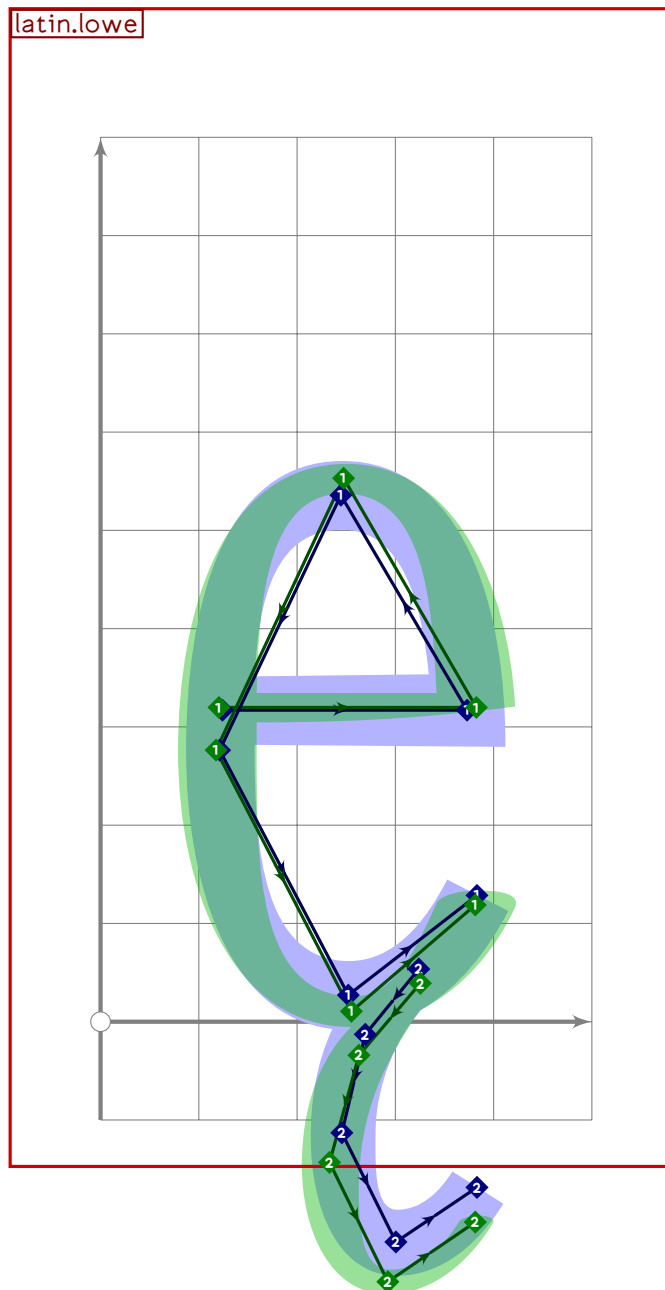
121
122 vardef tsu_curve.latin.lowagonek =
123   add_proof_box("latin.lowagonek");
124   tsu_curve.latin.low;
125
126   y9=0.5[y10,y4];
127   y10=latin_wide_desc_r;
128   y11=0.2[y10,y4];
129
130   x11-x9=(x4-x1)*((y4-y10)/(y2-y4));
131   x10=0.4[x9,x11];
132   x11=x4;
133

```

```

134 bp[sp-2]:=bp[sp-2]{dir 210}.z9..z10{right}.z11;
135 bp[sp-2]:=insert_nodes(bp[sp-2])(length(bp[sp-2])-2.5);
136 bq[sp-2]:=bq[sp-2]-(1.4,1.4)-(1.3,1.3)-(1.4,1.4)-(1,1);
137 bo_tip[sp-2][length(bp[sp-2])-4]:=1;
138 enddef;

```



```

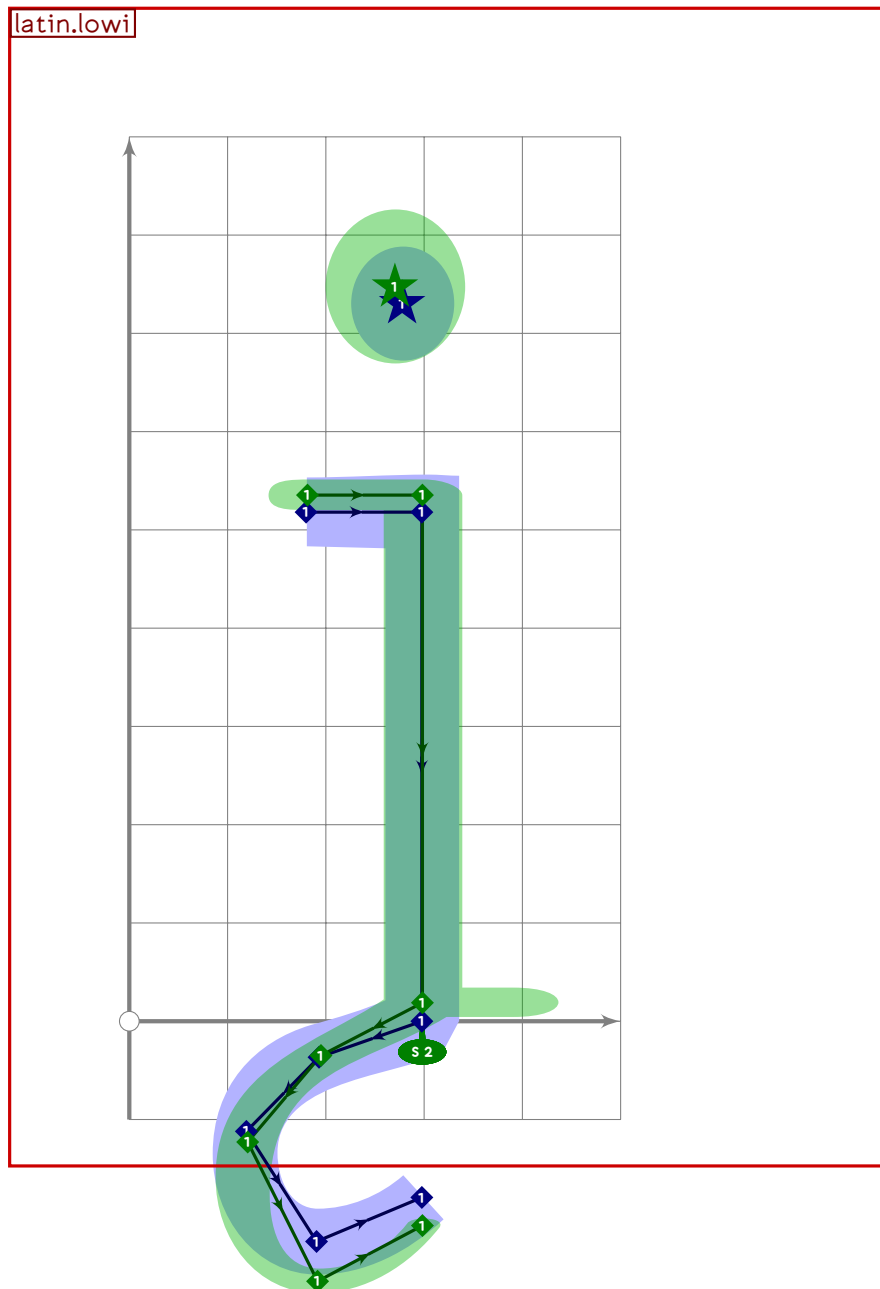
139
140 vardef tsu_curve.latin.loveogonek =
141   add_proof_box("latin.loveogonek");
142   tsu_curve.latin.love;
143
144   z7=point 4.5 of bp[sp-1];
145
146   y8=0.4[y9,y7];

```

```

147 y9=latin_wide_desc_r;
148 y10=0.2[y9,y7];
149
150 x10-x8=(x2-x4)*((y7-y9)/(y3-y5));
151 x9=0.4[x8,x10];
152 x10=x6;
153
154 bp[sp]:=z7{direction 4.5 of bp[sp-1]}..z8..z9{right}..z10;
155 bp[sp]:=insert_nodes(bp[sp])(length(bp[sp])-2.5);
156 bq[sp]:=(1.1,1.1)-(1.4,1.4)-(1.3,1.3)-(1.4,1.4)-(1,1);
157
158 sp:=sp*1;
159 endif;

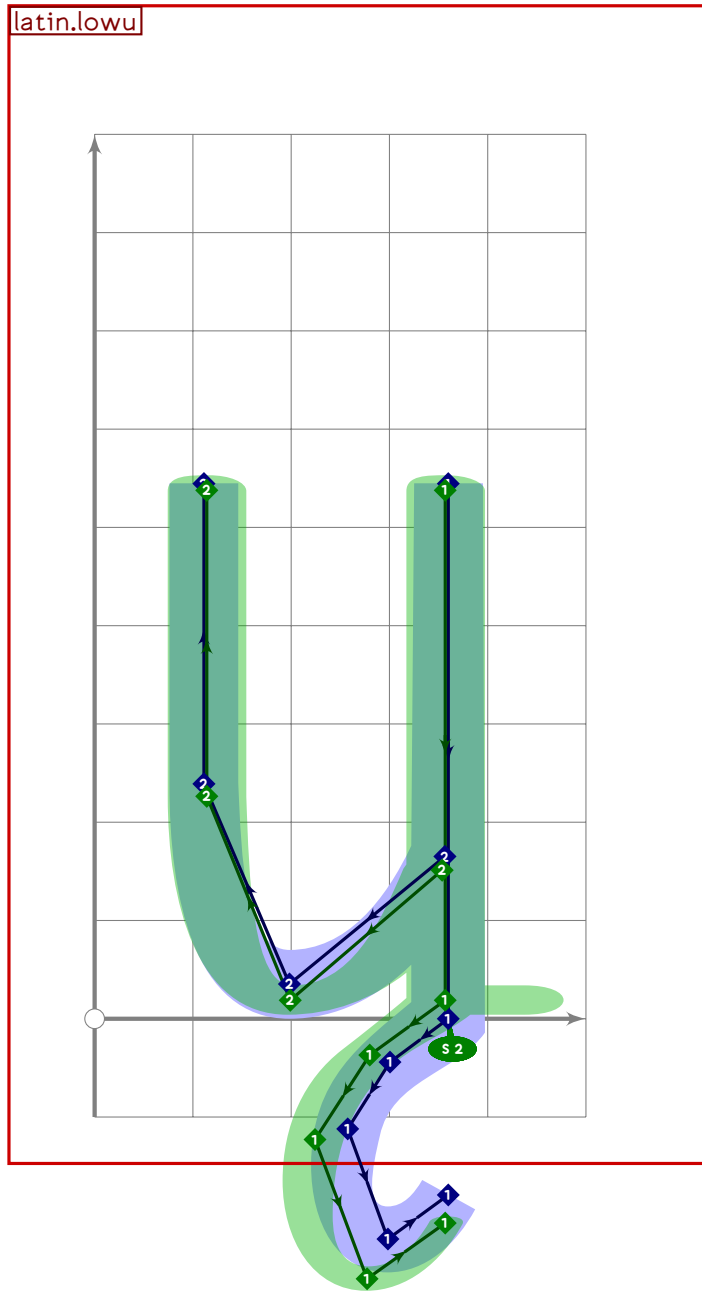
```




```

160
161 vardef tsu_curve.latin.lowiogonek =
162   add_proof_box("latin.lowiogonek");
163   tsu_curve.latin.lowi;
164
165   x5=x7-200;
166   x6=0.4[x5,x7];
167   x7=x3;
168
169   y5=0.5[y6,y3];
170   y6=latin_wide_desc_r;
171   y7=0.2[y6,y3];
172
173   bp[sp-1]:=bp[sp-1]{dir 210}..z5..z6{right}..z7;
174   bp[sp-1]:=insert_nodes(bp[sp-1])(2.5);
175   bq[sp-1]:=bq[sp-1]-(1.4,1.4)-(1.3,1.3)-(1.4,1.4)-(1,1);
176   bo_serif[sp-1][2]:=2;
177   bo_tip[sp-1][2]:=1;
178 enddef;

```

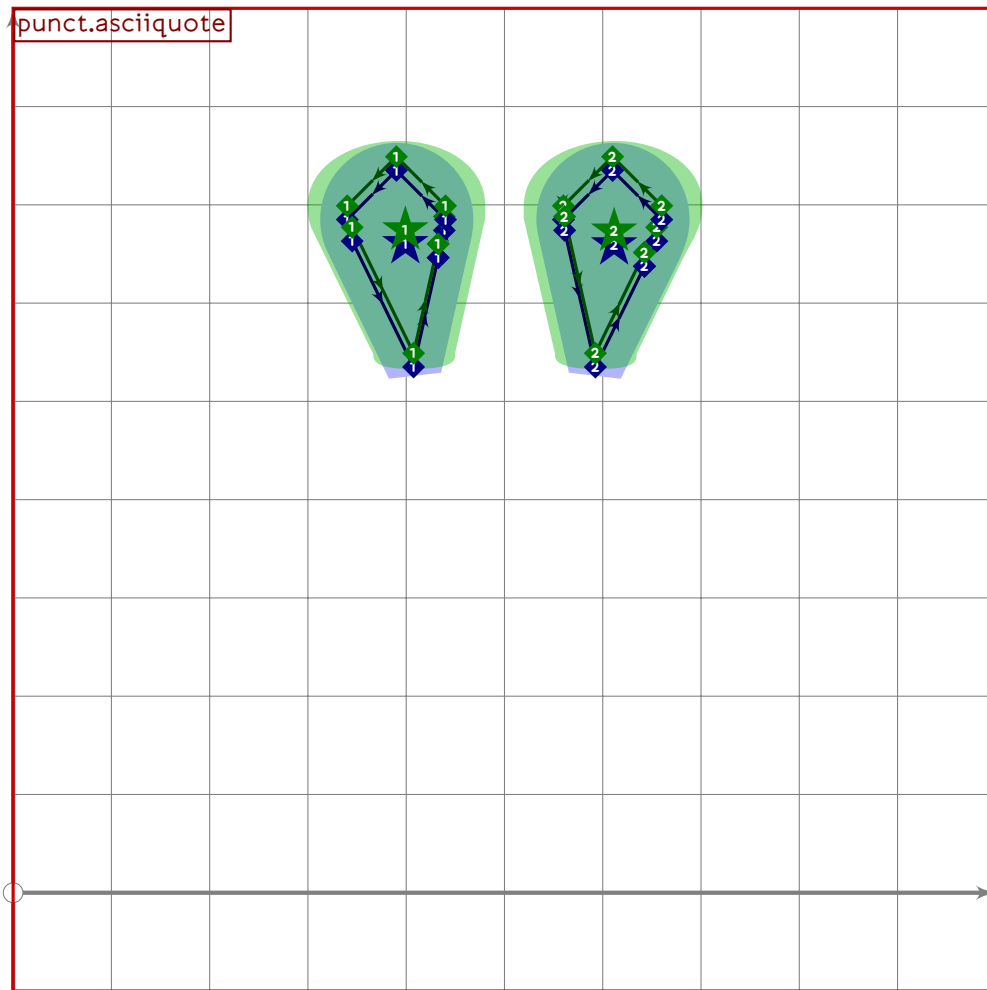


```

179
180 vardef tsu_curve.latin.lowuogonek =
181   add_proof_box("latin.lowuogonek");
182   tsu_curve.latin.lowu;
183
184   y7=0.5[y8,y1];
185   y8=latin_wide_desc_r;
186   y9=0.2[y8,y1];
187
188   x9-x7=(x1-x6)*((y1-y8)/(y2-y1));
189   x8=0.4[x7,x9];
190   x9=x1;
191

```

```
192 bp[sp-2]:=z2-z1{dir 210}..z7..z8{right}..z9;
193 bp[sp-2]:=insert_nodes(bp[sp-2])(length(bp[sp-2])-2.5);
194 bq[sp-2]:=(1.6,1.6)-(1.6,1.6)-(1.4,1.4)-(1.3,1.3)-(1.4,1.4)-(1,1);
195 bo_tip[sp-2][1]:=1;
196 bo_serif[sp-2][0]:=whatever;
197 bo_serif[sp-2][1]:=2;
198 enddef;
```

```

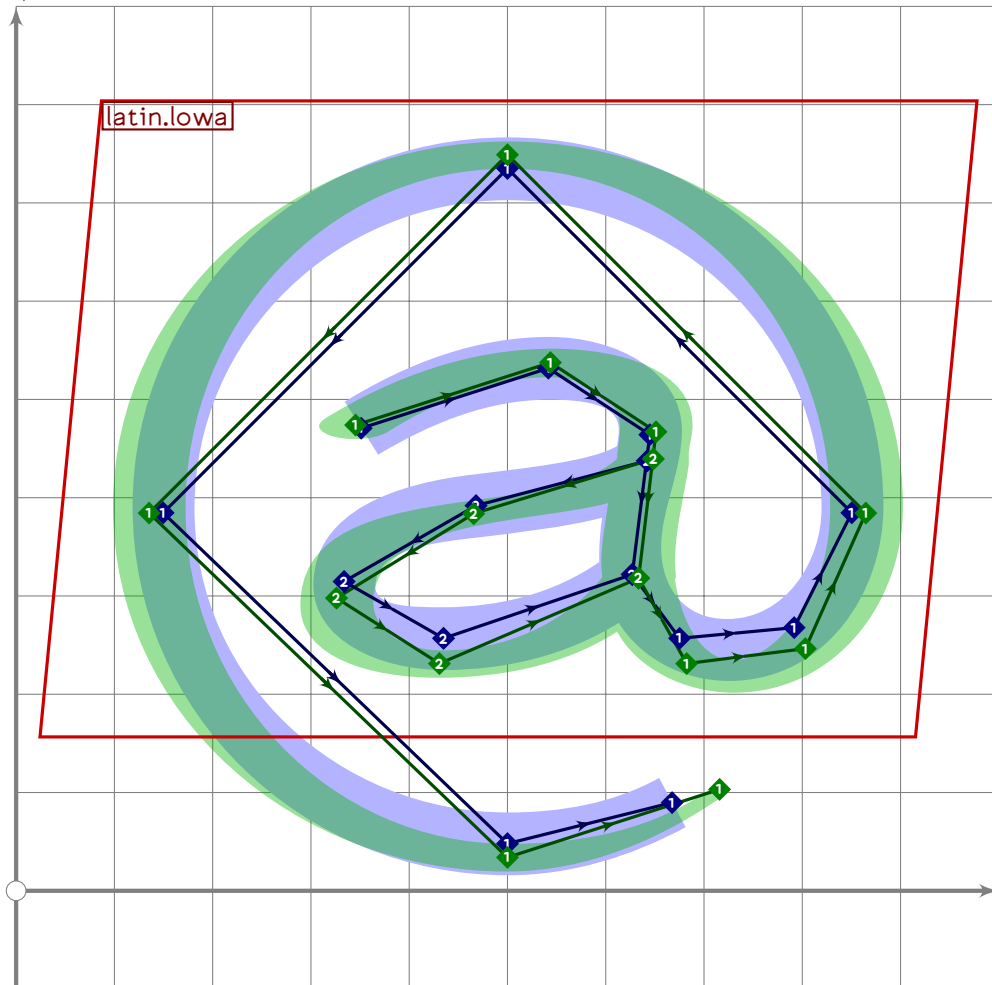
44
45 vardef tsu_curve.punct.asciiquote =
46   add_proof_box("punct.asciiquote");
47   numeric dx;
48   dx=tsu_punct_size;
49
50   (x1*x2)/2=(x3*x4)/2=500;
51   x2-x1=1.2*dx*tsu_punct_size;
52   x4-x3=tsu_punct_size*1.85;
53
54   y1=y2=latin_wide_high_r-dx/2;
55   y3=y4=y1-1.5*dx;
56
57   path ptmp;
58   ptmp:=(down..right..up..left..cycle)
59     scaled (abs(z3-z1)**(dx/2));
60
61   bp[sp]:=(down..right..up..left..cycle) scaled (dx/2) shifted z1;
62   bp[sp]:=z3-(subpath ((xpart (bp[sp] intersectiontimes (ptmp shifted z3))),
63     (4-xpart ((reverse bp[sp]) intersectiontimes (ptmp shifted z3))))
64     of bp[sp])-cycle;

```

```

65 bp[sp]:=(subpath (0,8,6) of bp[sp])–cycle;
66 bq[sp]:=(2,2)–(2,2)–(2,2)–(2,2)–(2,2)–(2,2)–(2,2)–cycle;
67 bo_size[sp]:=75;
68 bo_tip.[sp][6]:=0;
69
70 bp[sp*1]:=(down..right..up..left..cycle) scaled (dx/2) shifted z2;
71 bp[sp*1]:=z4–(subpath ((xpart (bp[sp*1] intersectiontimes (ptmp shifted z4))),
72   (4–xpart ((reverse bp[sp*1]) intersectiontimes (ptmp shifted z4))))
73   of bp[sp*1])–cycle;
74 bp[sp*1]:=(subpath (0,8,6) of bp[sp*1])–cycle;
75 bq[sp*1]:=(2,2)–(2,2)–(2,2)–(2,2)–(2,2)–(2,2)–(2,2)–cycle;
76 bo_size[sp*1]:=75;
77 bo_tip[sp*1][6]:=0;
78
79 if tsu_pbrush_size>=30:
80   lcblob1:=bp[sp];
81   lcblob2:=bp[sp*1];
82   fi;
83
84   sp:=sp*2;
85 enddef;

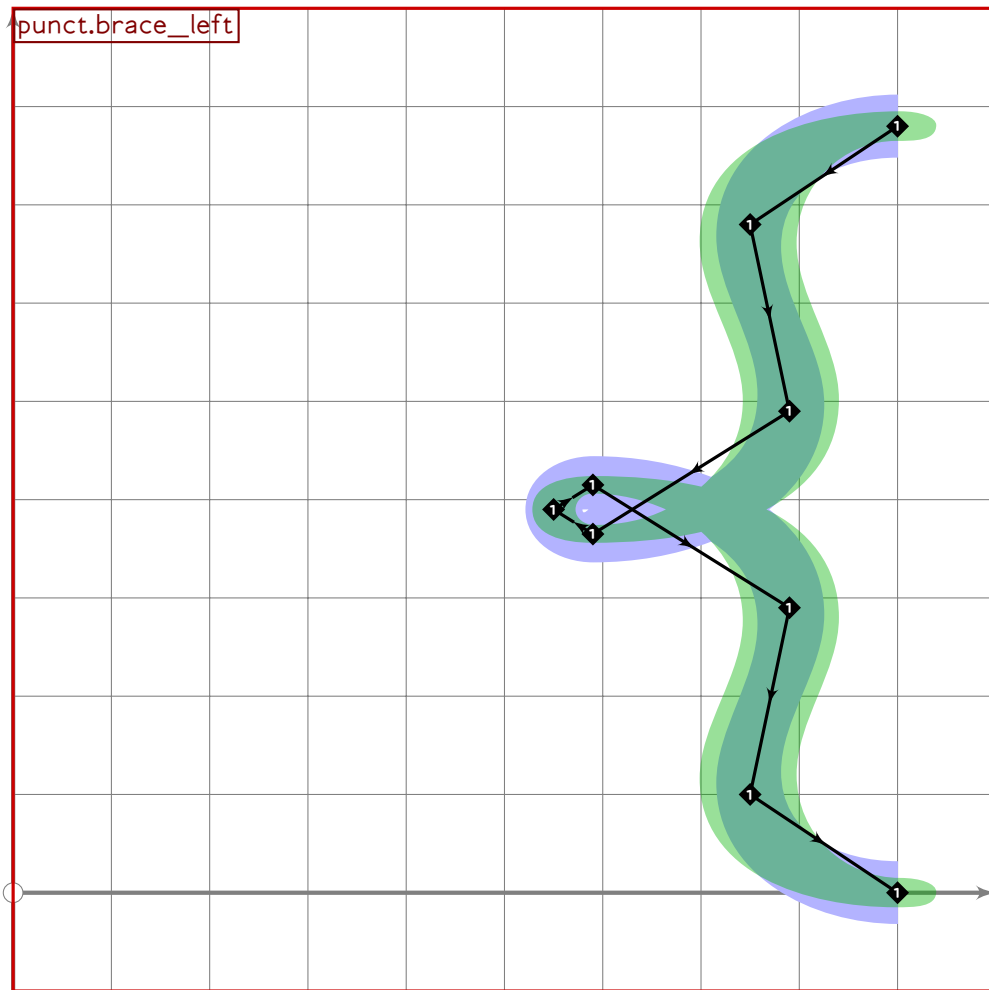
```



```

86
87 vardef tsu_curve.punct.atsign =
88   add_proof_box("punct.atsign");
89   tsu_curve.latin.lowa;
90   sp:=sp-2;
91
92   numeric x[],y[];
93   x1-x2=x2-x3=y2-y1;
94   x2=x4=500;
95   y1=y3=0.49[y4,y2];
96   y2=latin_wide_high_r;
97   y4=latin_wide_low_r;
98
99   transform shrinka;
100  (0.5[lcorner bp[sp],urcorner bp[sp]]) transformed shrinka=0.5[z3,z1];
101  (0.5[lrcorner bp[sp],urcorner bp[sp]]) transformed shrinka=0.71[z3,z1];
102  (0.5[ulcorner bp[sp],urcorner bp[sp]]) transformed shrinka=
103    z2*(0.07,-1)*0.29*(x1-x3);
104  tsu_xform(shrinka shifted (-10,0))(sp:=sp*2);
105  numeric bo_serif[][];
106  sp:=sp-2;
107
108  z5=point infinity of bp[sp*1];
109  y6=y part lrcorner bp[sp*1];
110  x6=0.5[x2,x1];
111  bp[sp]:=(subpath (0,length(bp[sp])-1) of bp[sp])..z5..z6..
112    (subpath (0,3.85) of (z1..z2..z3..z4..cycle));
113  bp[sp]:=insert_nodes(bp[sp])((length bp[sp]-4.5));
114  bq[sp]:=bq[sp]-(1.6,1.6)-(1.6,1.6)-(1.6,1.6)-(1.6,1.6)-(1.6,1.6)-(1.6,1.6)-(0,0);
115  sp:=sp*2;
116 enddef;
117
118 vardef tsu_curve.punct.brace_intro =
119   add_proof_box("punct.brace_intro");
120   bracket1:=(900,780){left}..
121     (900-1.5*tsu_punct_size,680)..
122     (900-1.1*tsu_punct_size,490)..
123     (900-3.1*tsu_punct_size,390-0.25*tsu_punct_size){left}..
124     (900-3.5*tsu_punct_size,390)..
125     (900-3.1*tsu_punct_size,390+0.25*tsu_punct_size){right}..
126     (900-1.1*tsu_punct_size,290)..
127     (900-1.5*tsu_punct_size,100)..
128     (900,0){right};
129 enddef;

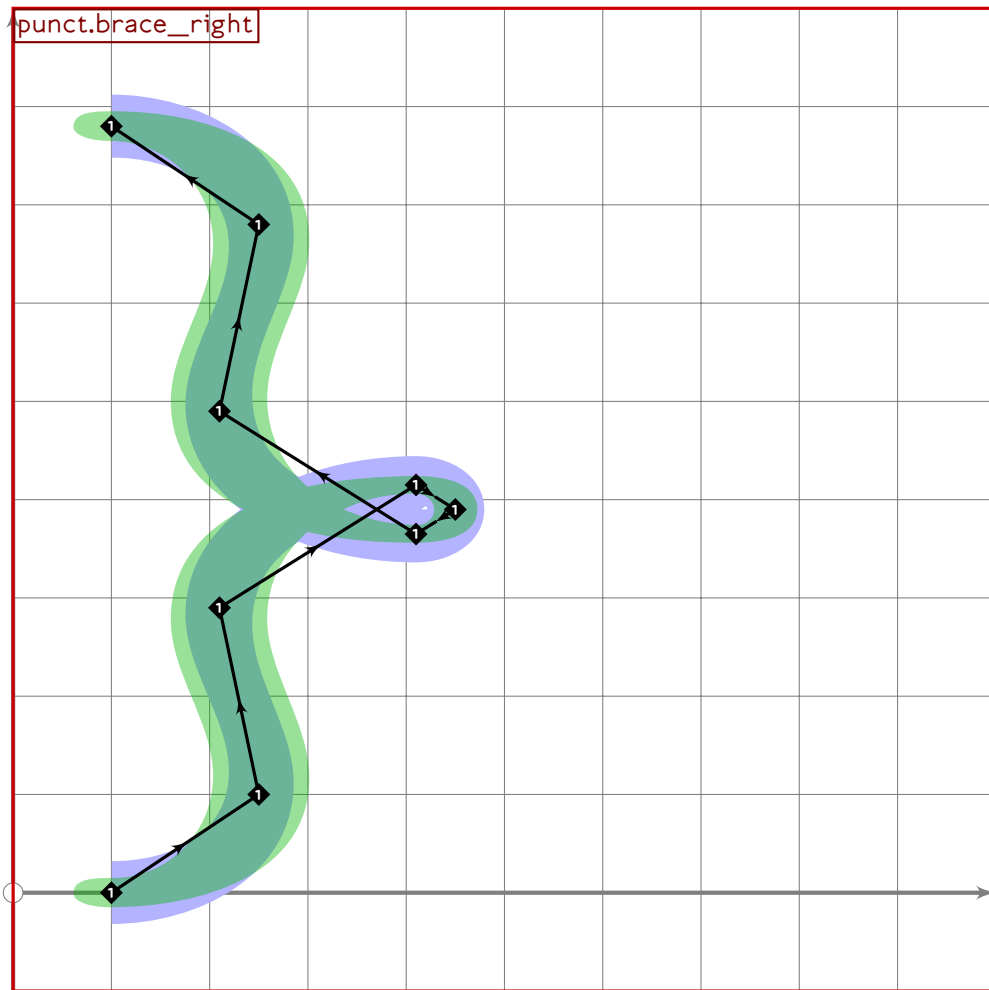
```



```

130 vardef tsu_curve.punct.brace_left =
131   add_proof_box("punct.brace_left");
132   bp[sp]:=bracket!;
133   bq[sp]:=(1.7,1.7)-(2,2)-(2,2)-
134     (1.2,1.2)-(1.2,1.2)-(1.2,1.2)-
135     (2,2)-(2,2)-(1.7,1.7);
136   bo_size[sp]:=90;
137   sp:=sp*1;
138 enddef;

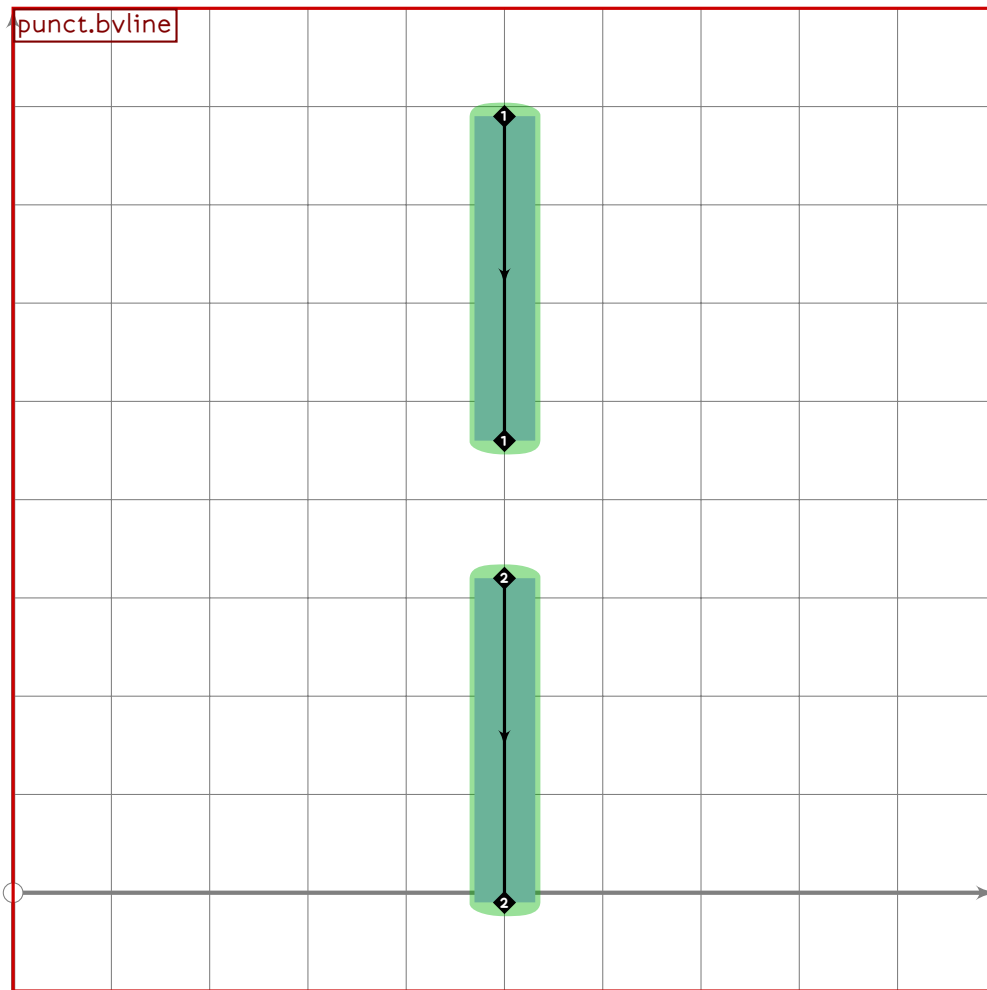
```

```

139 vardef tsu_curve.punct.brace_right =
140   add_proof_box("punct.brace_right");
141   bp[sp]:=bracket1 rotatedaround (centre_pt,180);
142   bq[sp]:=(1.7,1.7)-(2,2)-(2,2)-
143     (1.2,1.2)-(1.2,1.2)-(1.2,1.2)-
144     (2,2)-(2,2)-(1.7,1.7);
145   bo_size[sp]:=90;
146   sp:=sp*1;
147 enddef;

```



```

148
149 vardef tsu_curve.punct.bvline =
150   add_proof_box("punct.bvline");
151   bp[sp]:=(500,690*tsu_punct_size)-(500,390+0.7*tsu_punct_size);
152   bq[sp]:=(1.6,1.6)-(1.6,1.6);
153   bo_size[sp]:=90;
154   bp[sp*1]:=(500,390-0.7*tsu_punct_size)-(500,90-tsu_punct_size);
155   bq[sp*1]:=(1.6,1.6)-(1.6,1.6);
156   bo_size[sp*1]:=90;
157   sp:=sp*2;
158 enddef;
159
160 vardef tsu_curve.punct.make_comma(expr cpos,cang) =
161   begingroup
162     save x,y,t,u,xsp;
163     numeric x[],y[];
164     transform t,u;
165     xsp:=sp;
166     sp:=1;
167     t:=tsu_rescale_xform;
168     sp:=xsp;

```

```

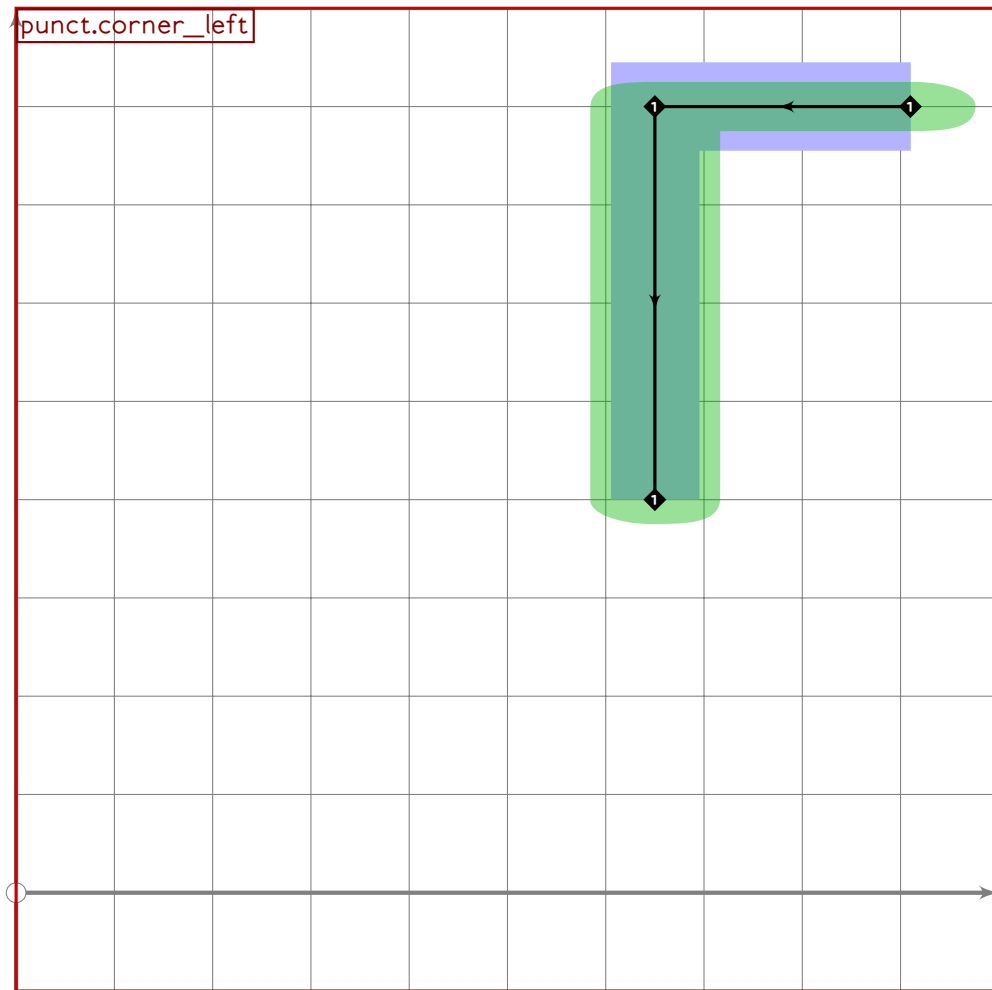
169
170 x1=0.8[x2,x4];
171 (x2*x4)/2=x3=0;
172 (x2-x4)=0.45*(y3-y1)=tsu_punct_size;
173 x5=x3;
174
175 y2=y4=0.32[y3,y1]=0;
176 y5-y4=0.73*(y4-y3);
177
178 bp[sp]:=z1{curl 0.2}..tension 1.2..z2..z3..z4{dir 280};
179 bp[sp]:=z1{curl 0.2}..tension 1.2..z2..z3..z4{dir 280}..
180 z5..{curl 0.2}(point 0.8 of bp[sp]);
181 bp[sp]:=(point 4.2 of bp[sp])-bp[sp];
182 (0,0) transformed u=llcorner bp[sp];
183 (1,0) transformed u=lrcorner bp[sp];
184 (0,1) transformed u=ulcorner bp[sp];
185 bp[sp]:=bp[sp] rotated (cang-6) shifted (cpos transformed t)
186 transformed inverse t;
187 u:=u scaled 1.3 rotated (cang-6) shifted (cpos transformed t)
188 transformed inverse t;
189 bq[sp]:=(2,2)-(2,2)-(2,2)-(2,2)-(2,2)-(2,2)-(2,2);
190 bp_tip[sp][1]:=0;
191
192 if tsu_pbrush_size>=30:
193 bp[sp]:=subpath (0.03,5.75) of bp[sp];
194 bo_size[sp]:=40;
195 save i;
196 i:=1; forever: exitif unknown lcblob[i]; i:=i+1; endfor;
197 lcblob[i]:=(subpath (1.6,4.9) of bp[sp])-cycle;
198 else:
199 bp[sp]:=subpath (0,5.2) of bp[sp];
200 bo_size[sp]:=80;
201 fi;
202 prf_box[sp]:=u;
203 prf_box_name[sp]:="punct.make__comma";
204 endgroup;
205 sp:=sp^1;
206 enddef;
207
208 vardef tsu_curve.punct.make_revcomma(expr cpos,cang) =
209 begingroup
210 save x,y,t,u,xsp;
211 numeric x[],y[];
212 transform t,u;
213 xsp:=sp;
214 sp:=1;
215 t:=tsu_rescale_xform;
216 sp:=xsp;

```

```

217
218 x1=0.8[x2,x4];
219 (x2*x4)/2=x3=0;
220 (x2-x4)=0.45*(y3-y1)=tsu_punct_size;
221 x5=x3;
222
223 y2=y4=0.32[y3,y1]=0;
224 y5-y4=0.73*(y4-y3);
225
226 bp[sp]:=z1{curl 0.2}..tension 1.2..z2..z3..z4{dir 280};
227 bp[sp]:=z1{curl 0.2}..tension 1.2..z2..z3..z4{dir 280}..
228 z5..{curl 0.2}(point 0.8 of bp[sp]);
229 bp[sp]:=(point 4.2 of bp[sp])-bp[sp];
230 (0,0) transformed u=llcorner bp[sp];
231 (1,0) transformed u=lrcorner bp[sp];
232 (0,1) transformed u=ulcorner bp[sp];
233 bp[sp]:=reverse (bp[sp] rotated -6 reflectedabout(up,down));
234 bp[sp]:=bp[sp] rotated cang shifted (cpos transformed t)
235 transformed inverse t;
236 u:=u scaled 1.3 rotated (cang-6) shifted (cpo transformed t)
237 transformed inverse t;
238 bq[sp]:=(2,2)-(2,2)-(2,2)-(2,2)-(2,2)-(2,2)-(2,2);
239 bp_tip[sp][1]:=0;
240
241 if tsu_pbrush_size>=30:
242 bp[sp]:=subpath (0.25,5.97) of bp[sp];
243 bo_size[sp]:=40;
244 save i;
245 i:=1; forever: exitif unknown lcblob[i]; i:=i+1; endfor;
246 lcblob[i]:=(subpath (1.1,4.4) of bp[sp])-cycle;
247 else:
248 bp[sp]:=subpath (0.8,6) of bp[sp];
249 bo_size[sp]:=80;
250 fi;
251 prf_box[sp]:=u;
252 prf_box_name[sp]:="punct.make_revcomma";
253 endgroup;
254 sp:=sp^1;
255 enddef;
256
257 vardef tsu_curve.punct.corner_intro =
258 add_proof_box("punct.corner_intro");
259 bracket1:=(910,800)-(650,800)-(650,400);
260 enddef;

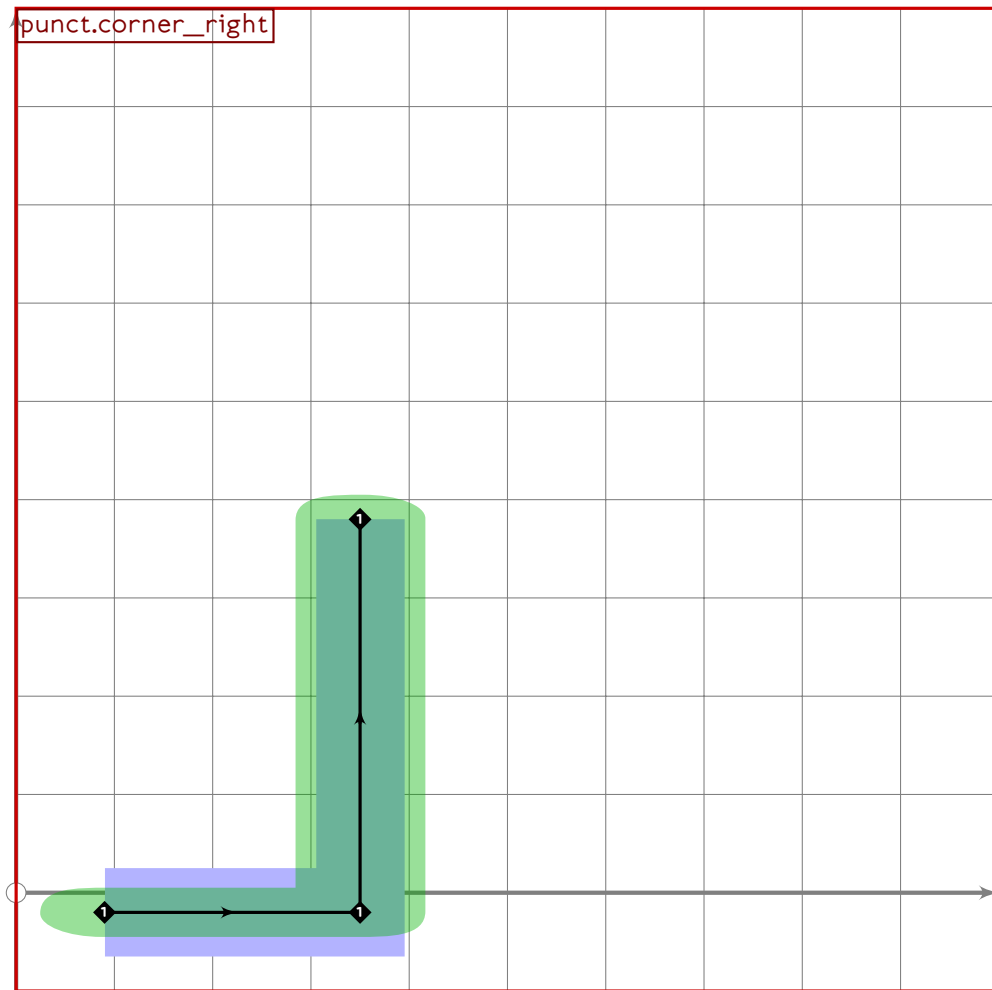
```



```

261 vardef tsu_curve.punct.corner_left =
262   add_proof_box("punct.corner_left");
263   bp[sp]:=bracket1;
264   bq[sp]:=(2,2)-(2,2)-(2,2);
265   bo_size[sp]:=120;
266   bo_tip[sp]1:=1;
267   sp:=sp*1;
268 enddef;

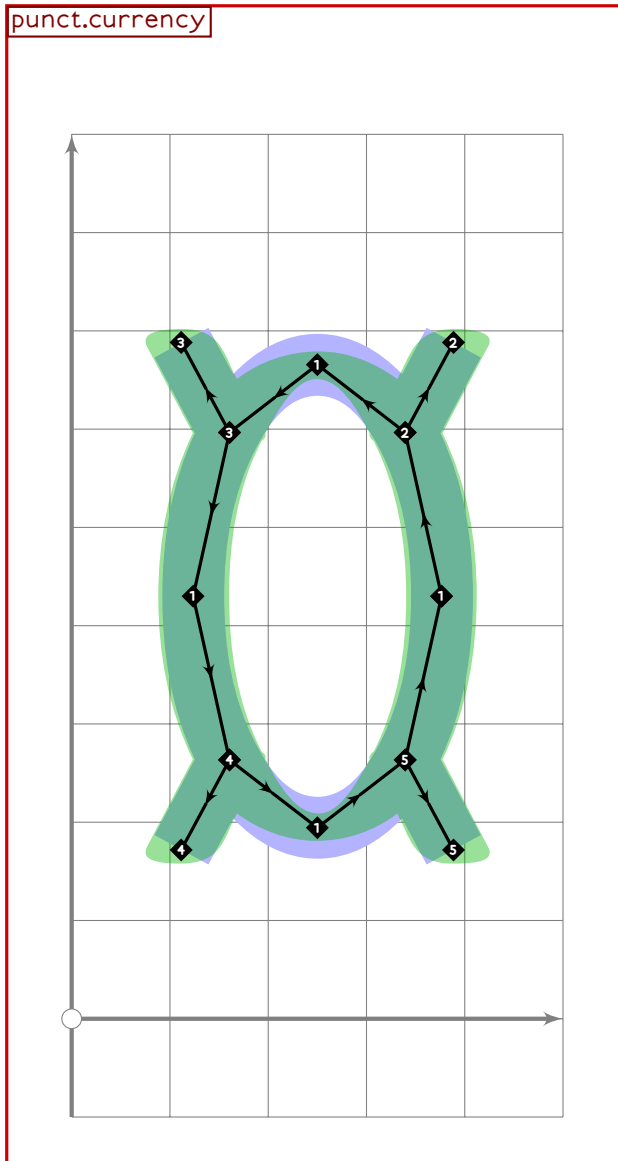
```



```

269 vardef tsu_curve.punct.corner_right =
270   add_proof_box("punct.corner_right");
271   bp[sp]:=bracket1 rotatedaround (centre_pt,180);
272   bq[sp]:=(2,2)-(2,2)-(2,2);
273   bo_size[sp]:=120;
274   bo_tip[sp]1:=1;
275   sp:=sp*1;
276 enddef;

```



```

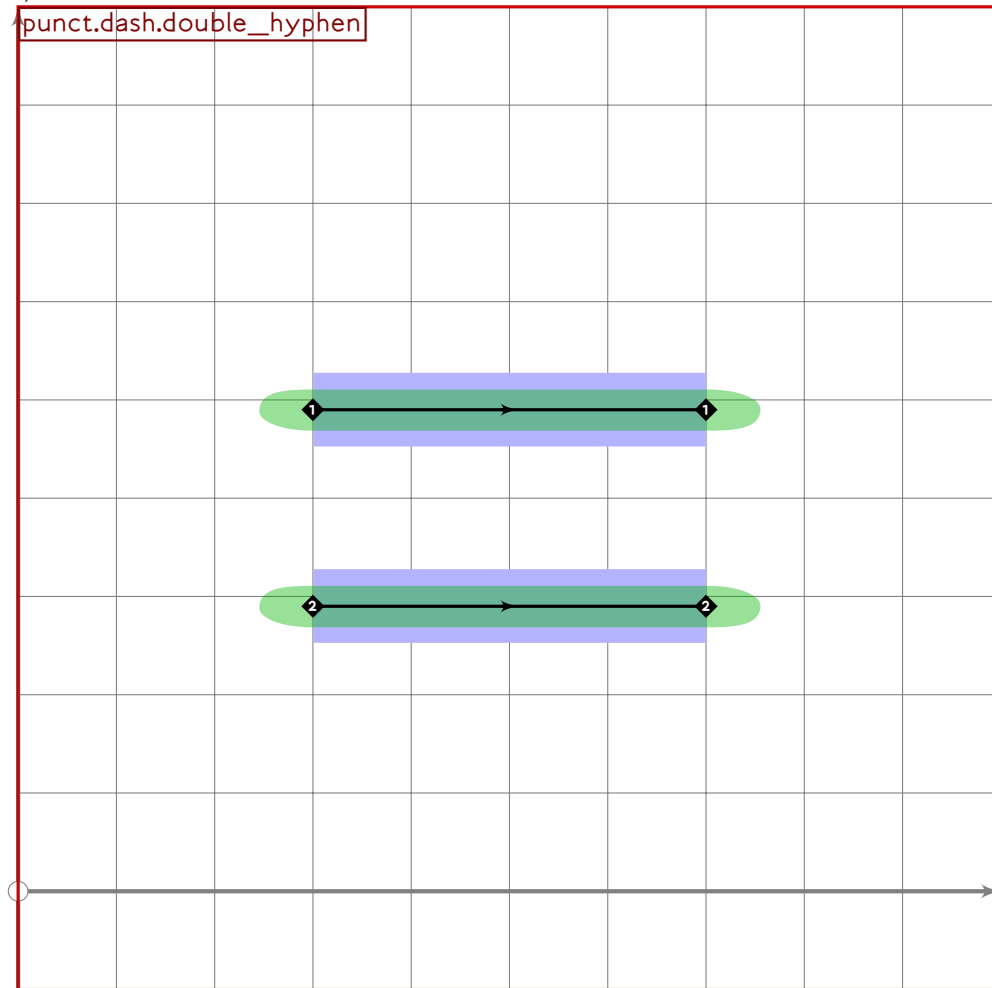
277
278 vardef tsu_curve.punct.currency =
279   add_proof_box("punct.currency");
280   bp[sp]:=fullcircle scaled (4*tsu_punct_size) shifted centre_pt;
281   bq[sp]:=(1.6,1.6)-(1.6,1.6)-(1.6,1.6)-(1.6,1.6)-cycle;
282   bo_size[sp]:=90;
283   bp[sp*1]:=((1,0)-(1.55,0)) rotated 45
284     scaled (2*tsu_punct_size) shifted centre_pt;
285   bq[sp*1]:=(1.6,1.6)-(1.6,1.6);
286   bo_size[sp*1]:=90;
287   bp[sp*2]:=((1,0)-(1.55,0)) rotated 135
288     scaled (2*tsu_punct_size) shifted centre_pt;
289   bq[sp*2]:=(1.6,1.6)-(1.6,1.6);
290   bo_size[sp*2]:=90;
291   bp[sp*3]:=((1,0)-(1.55,0)) rotated 225
292     scaled (2*tsu_punct_size) shifted centre_pt;

```

```

293 bq[sp+3]:=(1.6,1.6)-(1.6,1.6);
294 bo_size[sp+3]:=90;
295 bp[sp+4]:=((1,0)-(1.55,0)) rotated 315
296   scaled (2*tsu_punct_size) shifted centre_pt;
297 bq[sp+4]:=(1.6,1.6)-(1.6,1.6);
298 bo_size[sp+4]:=90;
299 sp:=sp+5;
300 endif;

```



```

301
302 vardef tsu_curve.punct.dash.double_hyphen =
303   add_proof_box("punct.dash.double_hyphen");
304   (z1+z4)/2=centre_pt;
305   x2-x1=400;
306   y1-y3=200;
307   y1=y2;
308   y3=y4;
309   x1=x3;
310   x2=x4;
311   bp[sp]:=z1-z2;
312   bq[sp]:=(2,2)-(2,2);
313   bp[sp+1]:=z3-z4;

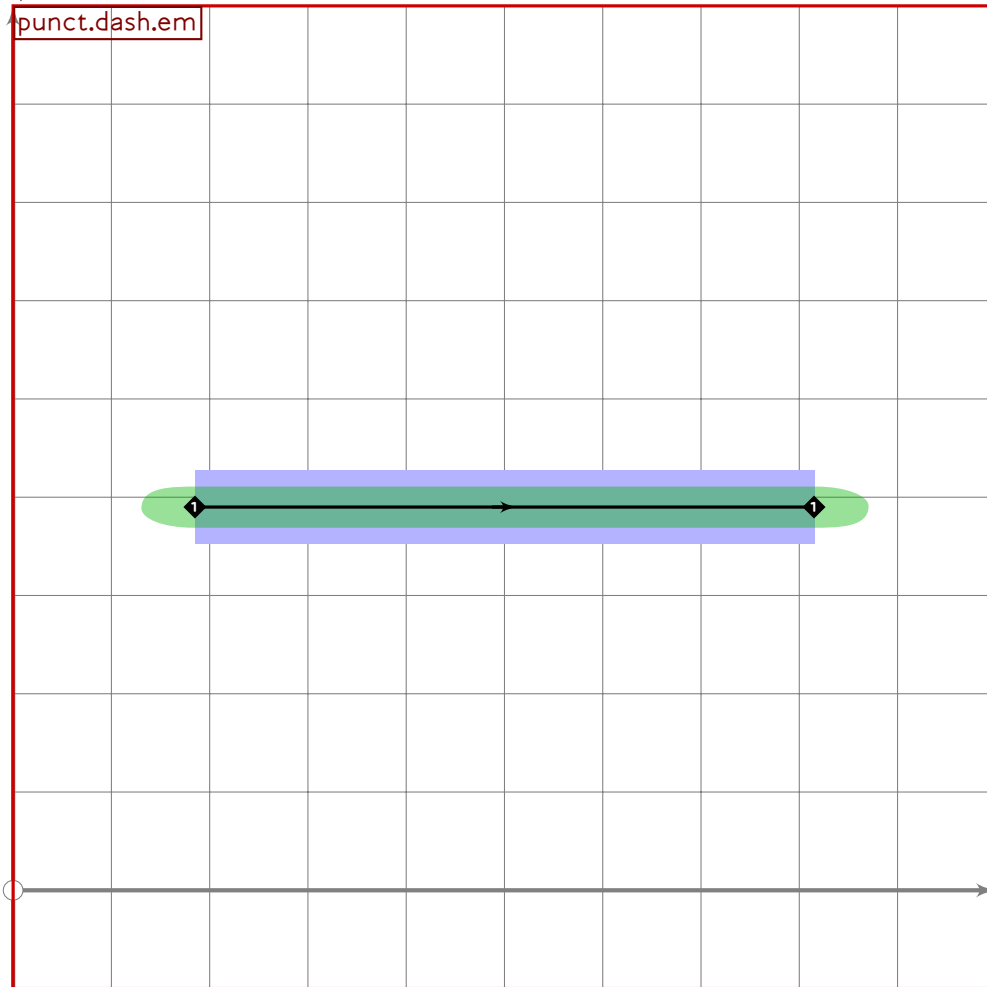
```



```

314 bq[sp*1]:=(2,2)-(2,2);
315 sp:=sp*2;
316 enddef;

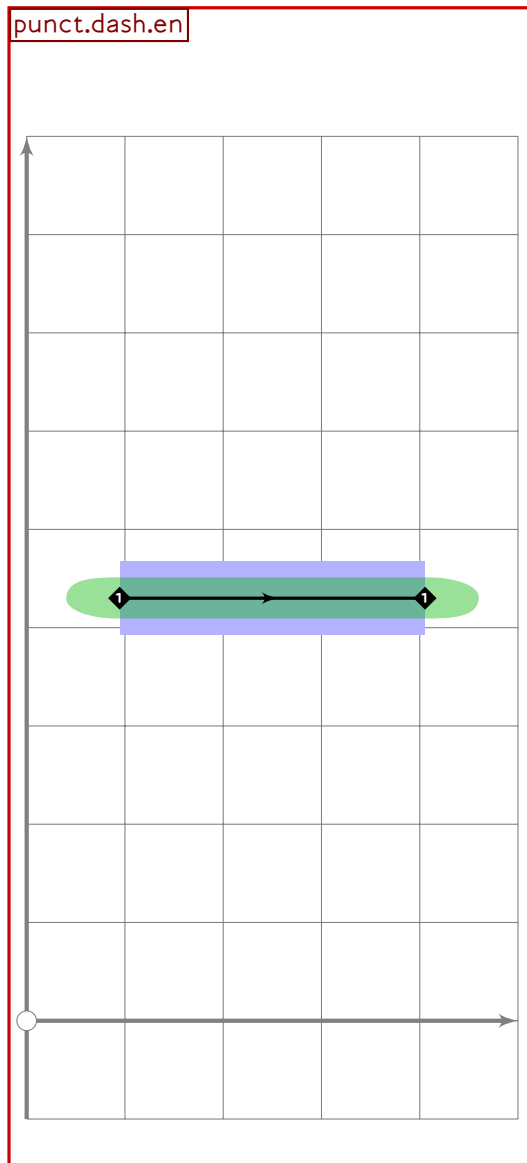
```



```

317
318 vardef tsu_curve.punct.dash.em =
319   add_proof_box("punct.dash.em");
320   (z1+z2)/2=centre_pt;
321   x2-x1=630;
322   y1=y2;
323   bp[sp]:=z1-z2;
324   bq[sp]:=(2,2)-(2,2);
325   sp:=sp*1;
326 enddef;

```

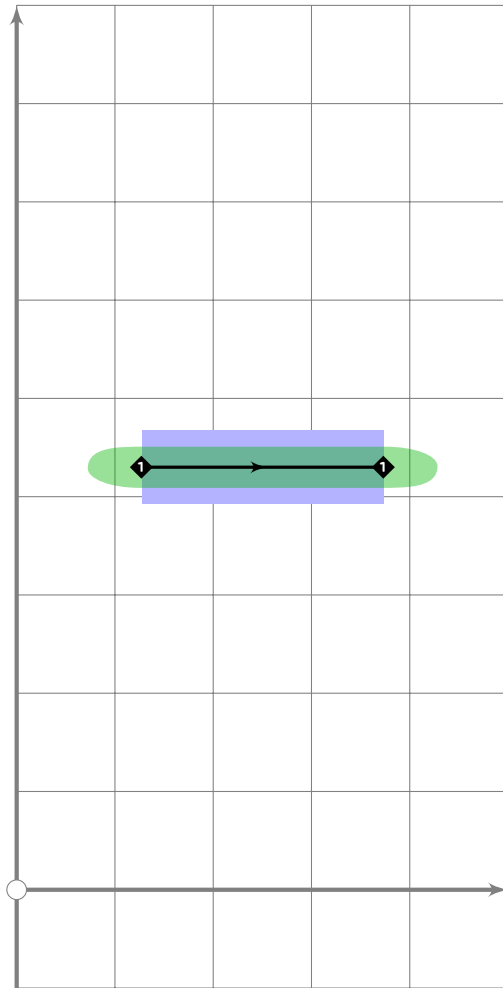


```

327
328 vardef tsu_curve.punct.dash.en =
329   add_proof_box("punct.dash.en");
330   (z1+z2)/2=centre_pt;
331   x2-x1=580;
332   y1=y2;
333   bp[sp]:=z1-z2;
334   bq[sp]:=(2,2)-(2,2);
335   sp:=sp^1;
336 enddef;

```

punct.dash.hyphen

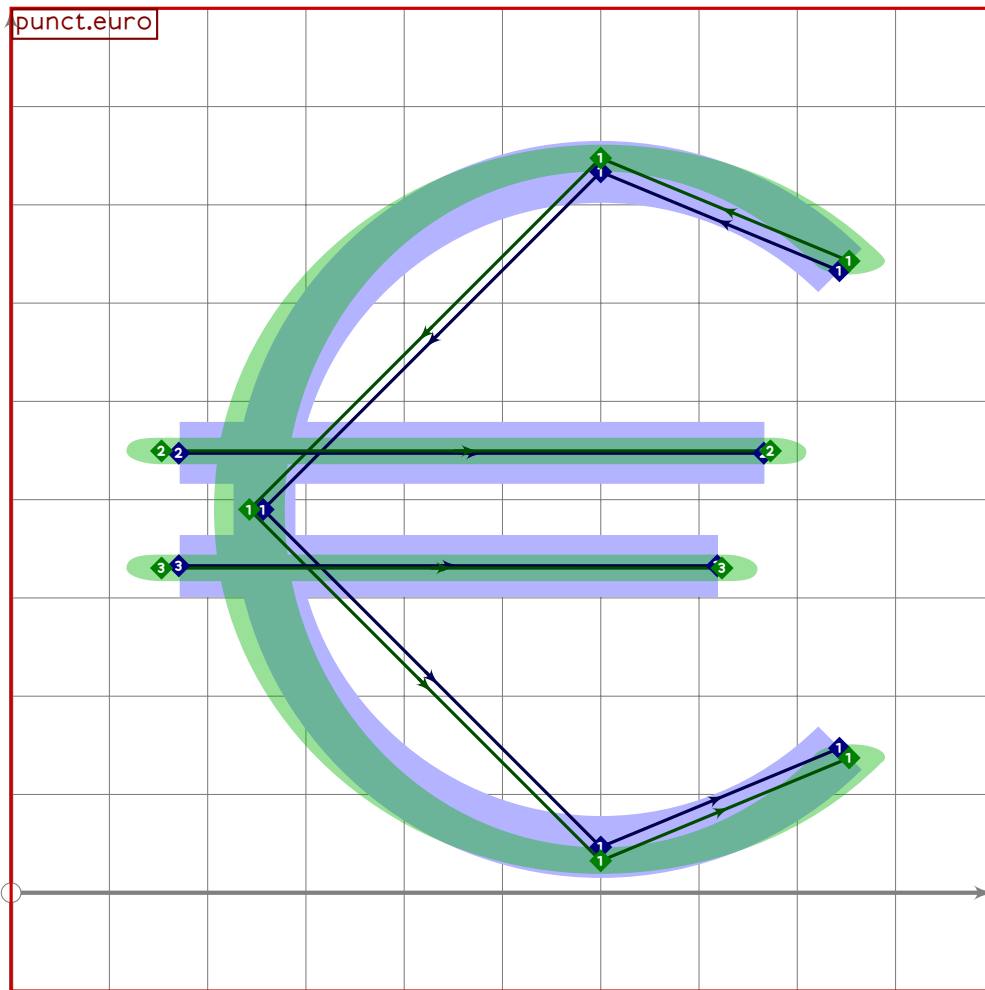


```
337
338 vardef tsu_curve.punct.dash.hyphen =
339   add_proof_box("punct.dash.hyphen");
340   (z1+z2)/2=centre_pt;
341   x2-x1=340;
342   y1=y2;
343   bp[sp]:=z1-z2;
344   bq[sp]:=(2,2)-(2,2);
345   sp:=sp*1;
346 enddef;
347
348 vardef tsu_curve.punct.dash.long =
349   add_proof_box("punct.dash.long");
350   (z1+z2)/2=centre_pt;
351   x2-x1=340;
352   y1=y2;
```

```

353 bp[sp]:=z1-z2;
354 bq[sp]:=(2,2)-(2,2);
355 sp:=sp*1;
356 enddef;
357
358 vardef tsu_curve.punct.dividedby(expr t) =
359 bp[sp]:=((-1,0)-(1,0)) transformed t;
360 bq[sp]:=(2,2)-(2,2);
361 bo_size[sp]:=90;
362 lcblob1:=fullcircle scaled (0.65*tsu_punct_size/xxpart t)
363   shifted (0,0.9) transformed t;
364 lcblob2:=fullcircle scaled (0.65*tsu_punct_size/xxpart t)
365   shifted (0;0.9) transformed t;
366 prf_box[sp]:=identity shifted (-0.5,-0.5) scaled 2.4 transformed t;
367 prf_box_name[sp]:="punct.dividedby";
368 sp:=sp*1;
369 enddef;
370
371 vardef tsu_curve.punct.equals(expr t) =
372 bp[sp]:=((-1,0.667)-(1,0.667)) transformed t;
373 bq[sp]:=(2,2)-(2,2);
374 bo_size[sp]:=90;
375 bp[sp*1]:=((-1,-0.667)-(1,-0.667)) transformed t;
376 bq[sp*1]:=(2,2)-(2,2);
377 bo_size[sp*1]:=90;
378 prf_box[sp]:=identity shifted (-0.5,-0.5) xyscaled (2.4,1.8) transformed t;
379 prf_box_name[sp]:="punct.equals";
380 sp:=sp*2;
381 enddef;

```



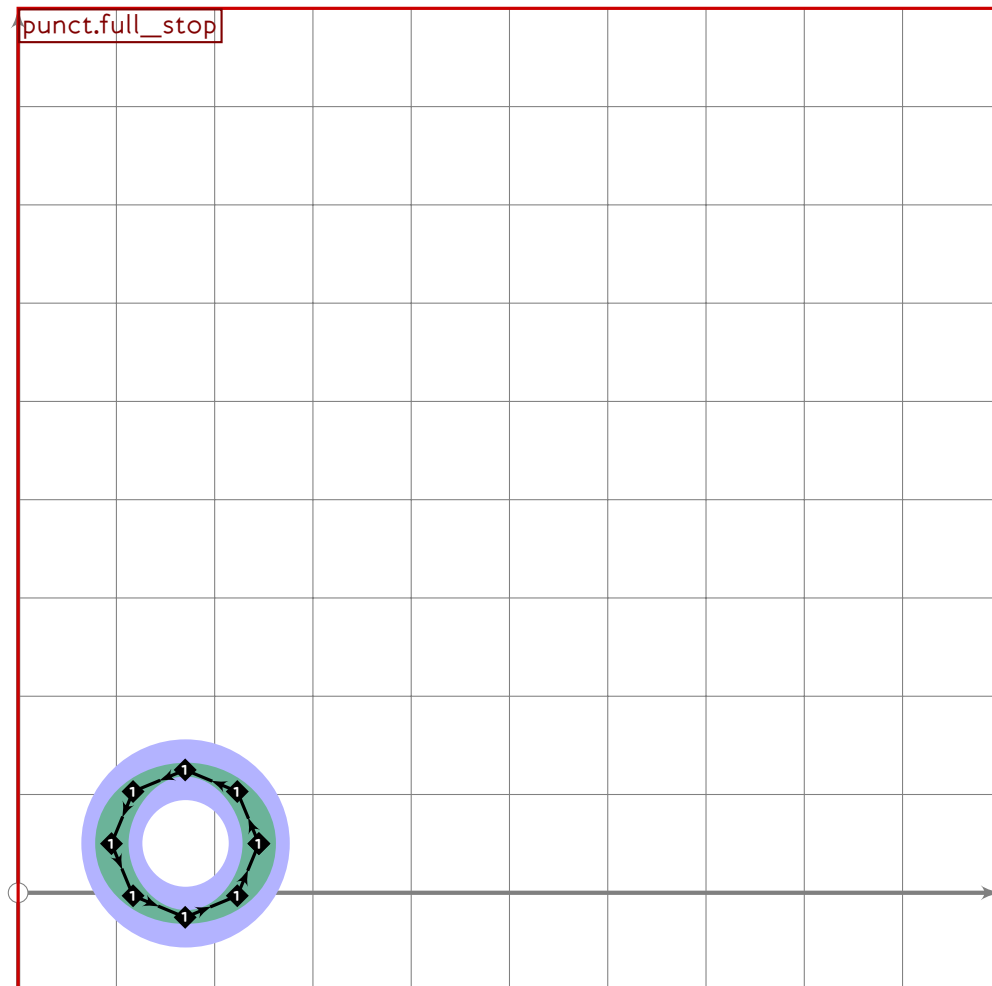
```

382
383 vardef tsu_curve.punct.euro =
384   add_proof_box("punct.euro");
385   bp[sp]:=(subpath (0.5,3.5) of ((1,0)..(0,1)..(-1,0)..(0,-1)..cycle))
386     scaled ((latin_wide_high_r-latin_wide_low_r)/2)
387     shifted (centre_pt*(100,0));
388   bq[sp]:=(1.6,1.6)-(1.6,1.6)-(1.6,1.6)-(1.6,1.6)-(1.6,1.6);
389   bo_size[sp]:=90;
390   bp[sp*1]:=(-1.25,0.1667)-
391     (((0,0.1667)-(1,0.1667)) intersectionpoint ((0.707,0.707)-(0,1))))
392     scaled ((latin_wide_high_r-latin_wide_low_r)/2)
393     shifted (centre_pt*(100,0));
394   bq[sp*1]:=(1.6,1.6)-(1.6,1.6);
395   bo_size[sp*1]:=90;
396   bp[sp*2]:=(-1.25,-0.1667)-
397     (((0,-0.1667)-(-1,-0.1667)) intersectionpoint ((0.707,0.707)-(0,1))))
398     scaled ((latin_wide_high_r-latin_wide_low_r)/2)
399     shifted (centre_pt*(100,0));
400   bq[sp*2]:=(1.6,1.6)-(1.6,1.6);
401   bo_size[sp*2]:=90;
402   sp:=sp*3;

```

```
403 endif;
```

```
404
```



```
405 % this is *ideographic* full stop, not Latin period
```

```
406 vardef tsu_curve.punct.full_stop =
```

```
407   add_proof_box("punct.full_stop");
```

```
408   if tsu_pbrush_size>=tsu_punct_size:
```

```
409     i:=1; forever: exitif unknown lcblob[i]; i:=i+1; endfor;
```

```
410     lcblob[i]:=fullcircle
```

```
411       xscaled (1.5*tsu_punct_size*tsu_pbrush_size)
```

```
412       yscaled (1.5*tsu_punct_size*tsu_pbrush_size*tsu_pbrush_shape)
```

```
413       rotated tsu_pbrush_angle
```

```
414       shifted (170,50);
```

```
415   else:
```

```
416     bp[sp]:=fullcircle scaled (1.5*tsu_punct_size) shifted (170,50);
```

```
417     bq[sp]:=(1,1)-(1,1)-(1,1)-(1,1)-cycle;
```

```
418     fi;
```

```
419     sp:=sp+1;
```

```
420   endif;
```

```
421
```

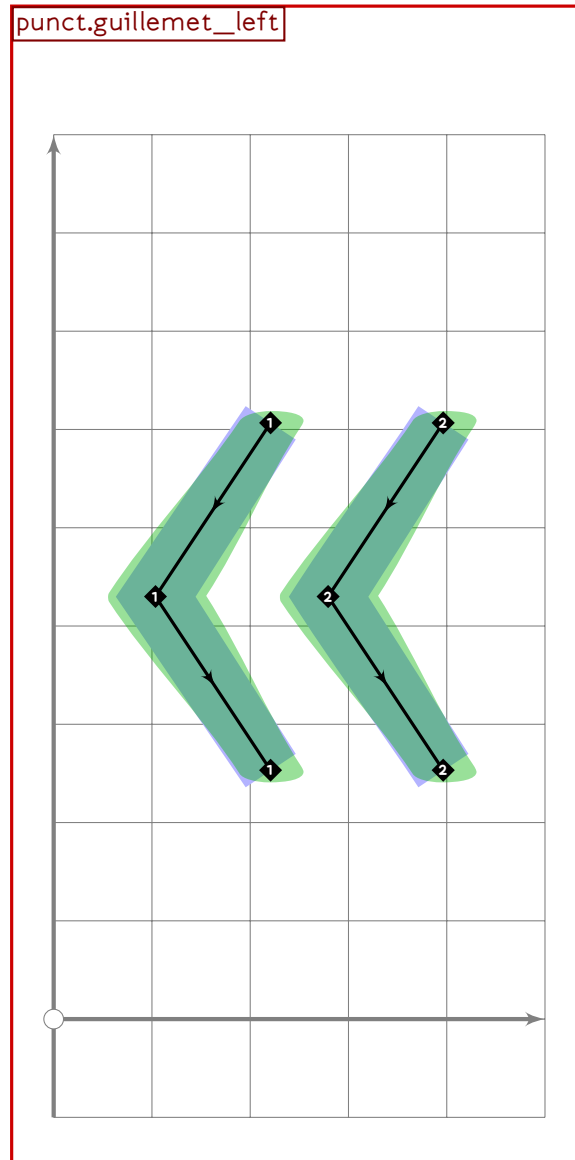
```
422 vardef tsu_curve.punct.greater_than(expr t) =
```

```
423   bp[sp]:=((-1,1)-(1,0)-(-1,1)) transformed t;
```

```

424 bq[sp]:=(2,2)-(2,2)-(2,2);
425 bo_size[sp]:=90;
426 bo_tip[sp]1:=1;
427 prf_box[sp]:=identity shifted (-0.5;0.5) scaled 2.4 transformed t;
428 prf_box_name[sp]:="punct.guillemet_left";
429 sp:=sp*1;
430 enddef;

```



```

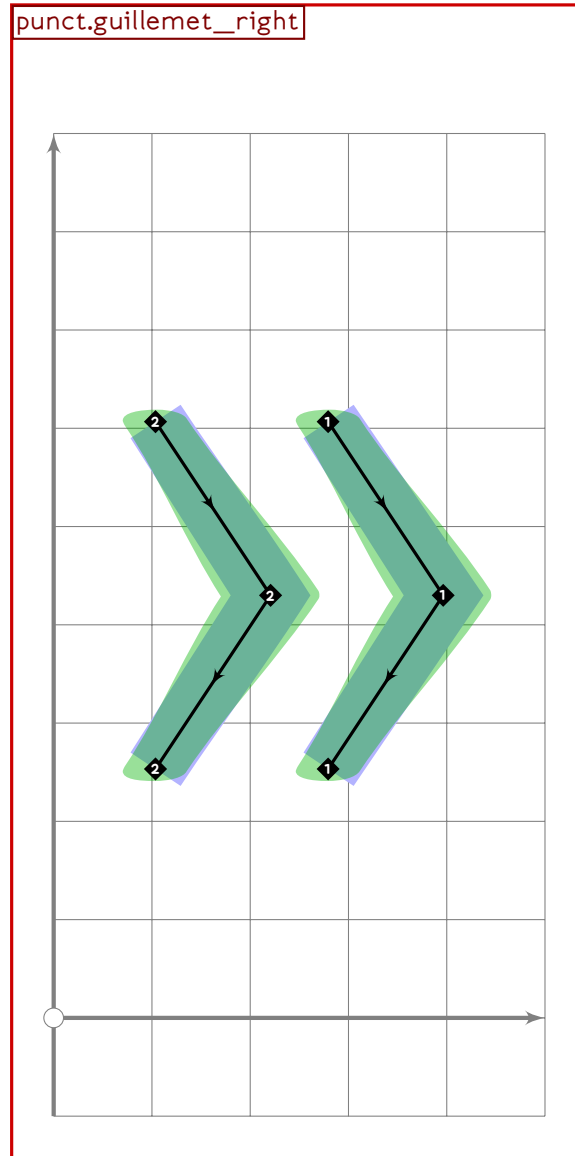
431
432 vardef tsu_curve.punct.guillemet_left =
433   add_proof_box("punct.guillemet_left");
434   bp[sp]:=( $(-0.5,1.5)$ )-( $(-2.5,0)$ )-( $(-0.5,1.5)$ )
435     scaled tsu_punct_size shifted centre_pt;
436   bq[sp]:=( $(1.5,1.5)$ )-( $(2,2)$ )-( $(1.5,1.5)$ );
437   bo_size[sp]:=90;
438   bo_tip[sp]1:=1;
439   bp[sp*1]:=( $(2.5,1.5)$ )-( $(0.5,0)$ )-( $(2.5,1.5)$ )

```

```

440   scaled tsu_punct_size shifted centre_pt;
441   bq[sp*1]:=(1.5,1.5)-(2,2)-(1.5,1.5);
442   bo_size[sp*1]:=90;
443   bo_tip[sp*1]1:=1;
444   sp:=sp*2;
445   endif;

```



```

446
447   vardef tsu_curve.punct.guillemet_right =
448     add_proof_box("punct.guillemet_right");
449     bp[sp]:=((0.5,1.5)-(2.5,0)-(0.5,-1.5))
450     scaled tsu_punct_size shifted centre_pt;
451     bq[sp]:=(1.5,1.5)-(2,2)-(1.5,1.5);
452     bo_size[sp]:=90;
453     bo_tip[sp]1:=1;
454     bp[sp*1]:=(-2.5,1.5)-(-0.5,0)-(-2.5,-1.5)
455     scaled tsu_punct_size shifted centre_pt;

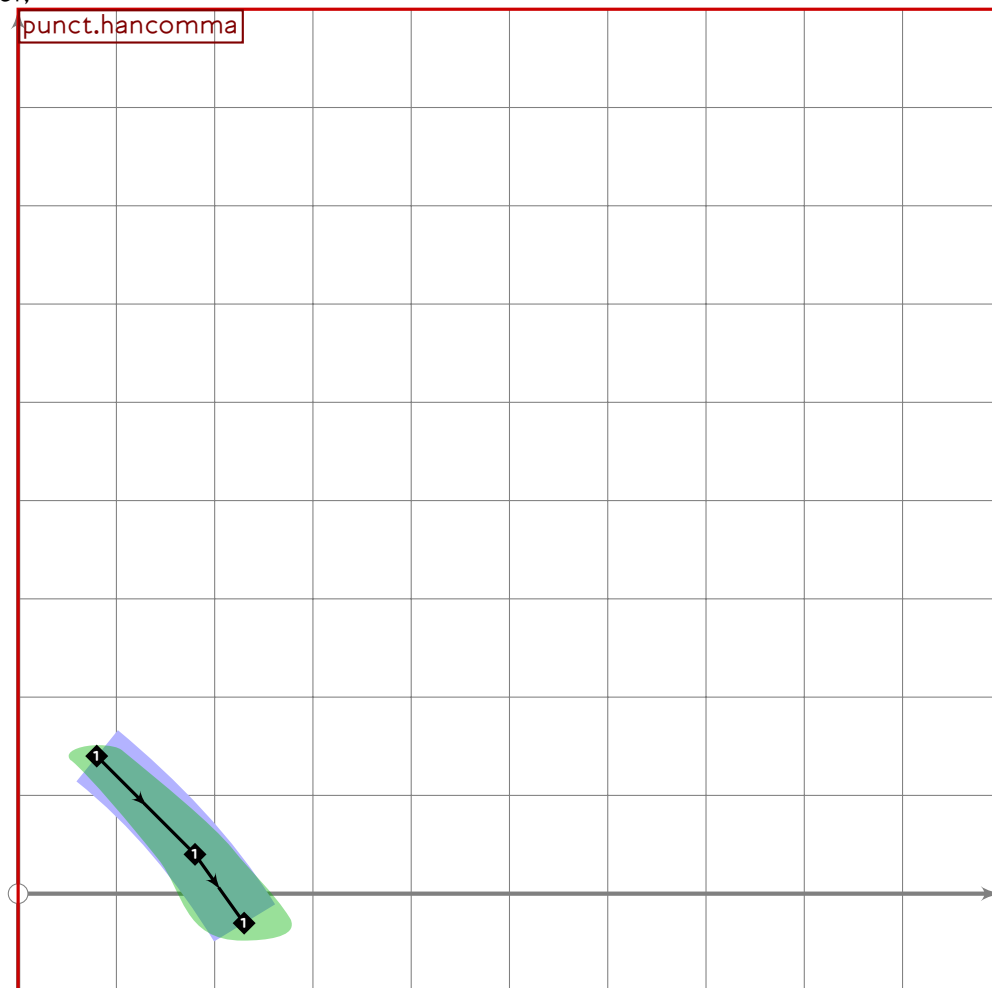
```



```

456 bq[sp*1]:=(1.5,1.5)-(2,2)-(1.5,1.5);
457 bo_size[sp*1]:=90;
458 bo_tip[sp*1]1:=1;
459 sp:=sp*2;
460 enddef;

```



```

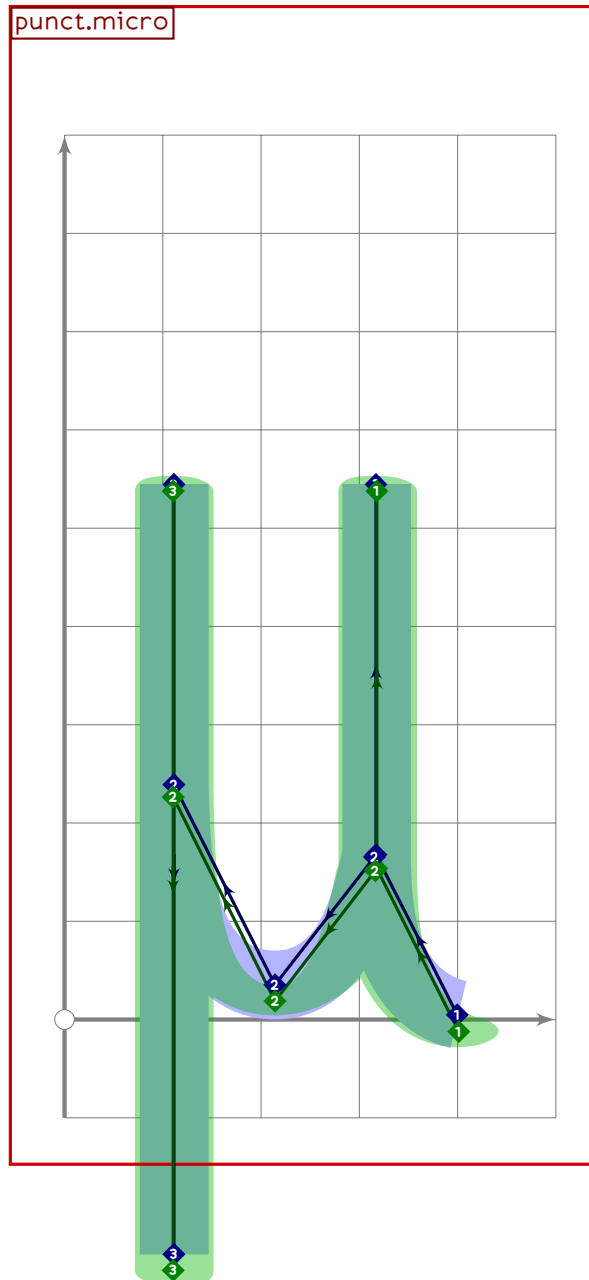
461
462 vardef tsu_curve.punct.hancomma =
463   add_proof_box("punct.hancomma");
464   bp[sp]:=(80,140)..(180,40)..(230,-30);
465   bq[sp]:=(1.3,1.3)..(1.6,1.6)..(1.8,1.8);
466   sp:=sp*1;
467 enddef;
468
469 vardef tsu_curve.punct.hminus(expr t) =
470   bp[sp]:=((-1,0)-(1,0)) transformed t;
471   bq[sp]:=(2,2)-(2,2);
472   bo_size[sp]:=90;
473   prf_box[sp]:=identity shifted (-0.5;0.5) xyscaled (2.4,0.6) transformed t;
474   prf_box_name[sp]:="punct.hminus";
475   sp:=sp*1;
476 enddef;

```

```

477
478 vardef tsu_curve.punct.less_than(expr t) =
479   bp[sp]:=((1,1)-(-1,0)-(1,-1)) transformed t;
480   bq[sp]:=(2,2)-(2,2)-(2,2);
481   bo_size[sp]:=90;
482   bo_tip[sp]1:=1;
483   prf_box[sp]:=identity shifted (-0.5;0.5) scaled 2.4 transformed t;
484   prf_box_name[sp]:="punct.less_than";
485   sp:=sp*1;
486 enddef;
487

```



```

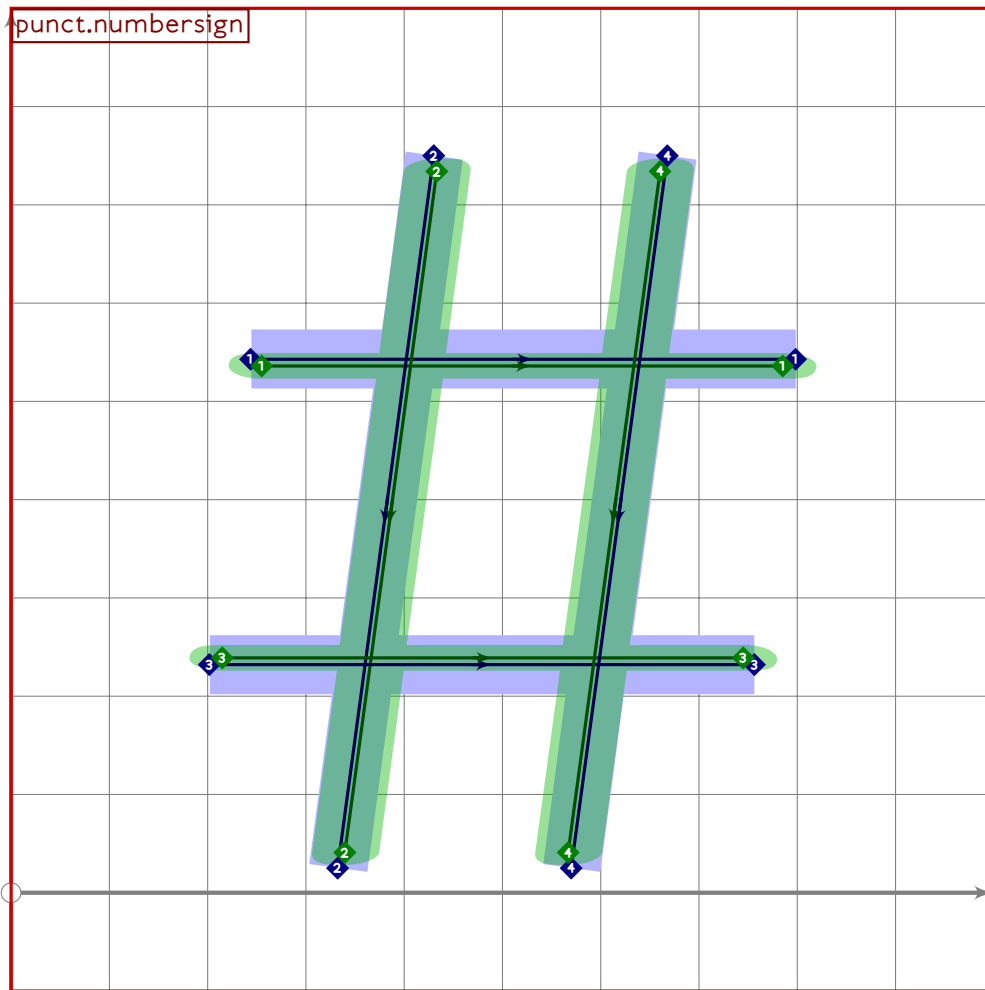
488 % in the future, this will probably become tsu_curve.greek.lowmu
489 vardef tsu_curve.punct.micro =

```

```

490 add_proof_box("punct.micro");
491 x1-x2=y2-y1;
492 (x2*x6)/2=450;
493 (x2-x6)=(y3-y1)*0.75;
494 x3=x2=x4;
495 x5=0.5[x4,x6];
496 x7=x8=x6;
497
498 y1=(-0.06)[y5,y3];
499 y2=0.26[y5,y3];
500 y3=y7=latin_wide_xheight_v;
501 y4=0.73[y3,y5];
502 y5=latin_wide_low_h;
503 y6=0.60[y3,y5];
504 y8=latin_wide_desc_v;
505
506 bp[sp]:=z1{dir 173}..{up}z2-z3;
507 bq[sp]:=(1.6,1.6)-(1.6,1.6)-(1.6,1.6);
508
509 bp[sp*1]:=z4..z5{left}..z6{dir 93};
510 bp[sp*1]:=subpath (0.03,2) of bp[sp*1];
511 bq[sp*1]:=(1.6,1.6)-(1.6,1.6)-(1.6,1.6);
512
513 bp[sp*2]:=z7-z8;
514 bq[sp*2]:=(1.6,1.6)-(1.6,1.6);
515 sp:=sp*3;
516 enddef;
517
518 vardef tsu_curve.punct.notsign(expr t) =
519 bp[sp]:=((-1,0)-(1,0)-(1,1)) transformed t;
520 bq[sp]:=(2,2)-(2,2)-(2,2);
521 bo_size[sp]:=90;
522 bo_tip[sp]1:=1;
523 prf_box[sp]:=identity shifted (-0.5,0.5) scaled 2.4 transformed t;
524 prf_box_name[sp]:="punct.notsign";
525 sp:=sp*1;
526 enddef;

```



```

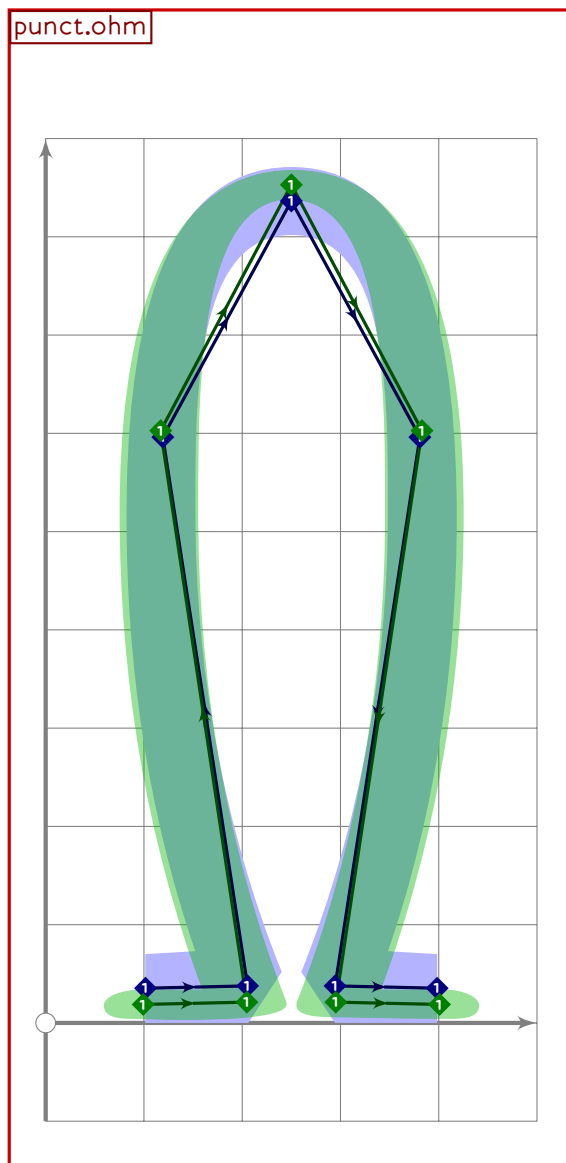
527
528 vardef tsu_curve.punct.numbersign =
529   add_proof_box("punct.numbersign");
530   (x1*x2)/2=500;
531   (x2-x1)=0.9*(y2-y1);
532   x3=0.15[x1,x2];
533
534   y1=latin_wide_low_v;
535   y2=y3=latin_wide_high_v;
536
537   transform xf_num;
538   (0,0) transformed xf_num = z1;
539   (3.5,3.5) transformed xf_num = z2;
540   (0,3.5) transformed xf_num = z3;
541
542   bp[sp]:=((0,2.5)-(3.5,2.5)) transformed xf_num;
543   bq[sp]:=(1.6,1.6)-(1.6,1.6);
544   bo_size[sp]:=85;
545
546   bp[sp*1]:=((1,3.5)-(1,0)) transformed xf_num;
547   bq[sp*1]:=(1.6,1.6)-(1.6,1.6);

```

```

548 bo_size[sp*1]:=85;
549
550 bp[sp*2]:=((0,1)-(3.5,1)) transformed xf_num;
551 bq[sp*2]:=(1.6,1.6)-(1.6,1.6);
552 bo_size[sp*2]:=85;
553
554 bp[sp*3]:=((2.5,3.5)-(2.5,0)) transformed xf_num;
555 bq[sp*3]:=(1.6,1.6)-(1.6,1.6);
556 bo_size[sp*3]:=85;
557
558 sp:=sp*4;
559 enddef;
560

```



```

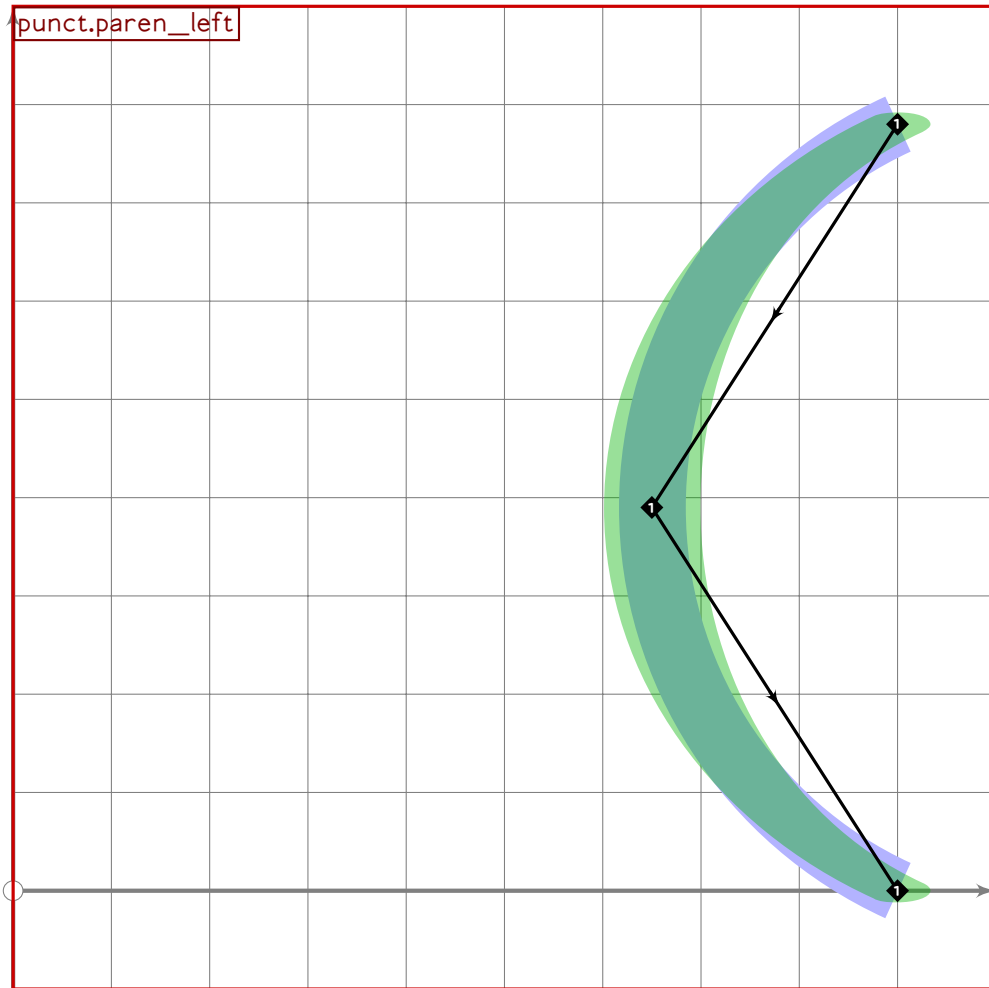
561 % in the future, this will probably become tsu_curve.greek.upomega
562 vardef tsu_curve.punct.ohm =
563   add_proof_box("punct.ohm");

```

```

564 (x5*x3)/2=(x6*x2)/2=(x7*x1)/2=x4=500;
565 x2=0.7[x1,x4];
566 x7-x1=0.76*(y4-y1);
567 x5-x3=0.67*(y4-y1);
568
569 y1=y7=latin_wide_low_h;
570 y2=y6=y1*2;
571 y3=y5=0.7[y1,y4];
572 y4=latin_wide_high_r;
573
574 bp[sp]:=z1-z2..tension 1.5 and 1.3..z3..z4..
575 z5..tension 1.3 and 1.5..z6-z7;
576 bq[sp]:=(1.6,1.6)-(1.6,1.6)-(1.6,1.6)-(1.6,1.6)-(1.6,1.6)-
577 (1.6,1.6)-(1.6,1.6);
578 bo_tip[sp][1]:=0;
579 bo_tip[sp][5]:=0;
580
581 sp:=sp*1;
582 enddef;
583
584 vardef tsu_curve.punct.paren_intro =
585 add_proof_box("punct.paren_intro");
586 bracket1:=(900,780)..(900-2.5*tsu_punct_size,390)..(900,0);
587 enddef;

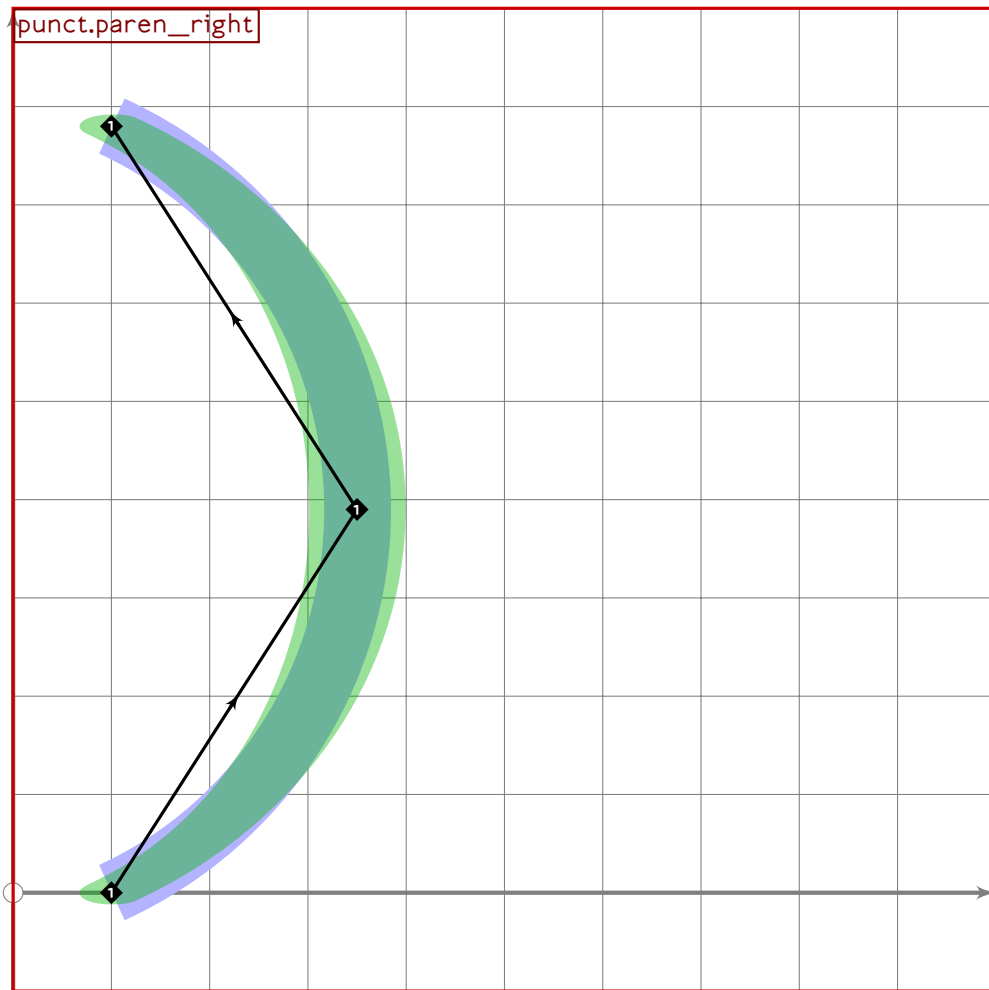
```



```

588 vardef tsu_curve.punct.paren_left =
589   add_proof_box("punct.paren_left");
590   bp[sp]:=bracket1;
591   bq[sp]:=(1.5,1.5)-(2,2)-(1.5,1.5);
592   bo_size[sp]:=90;
593   sp:=sp*1;
594 enddef;

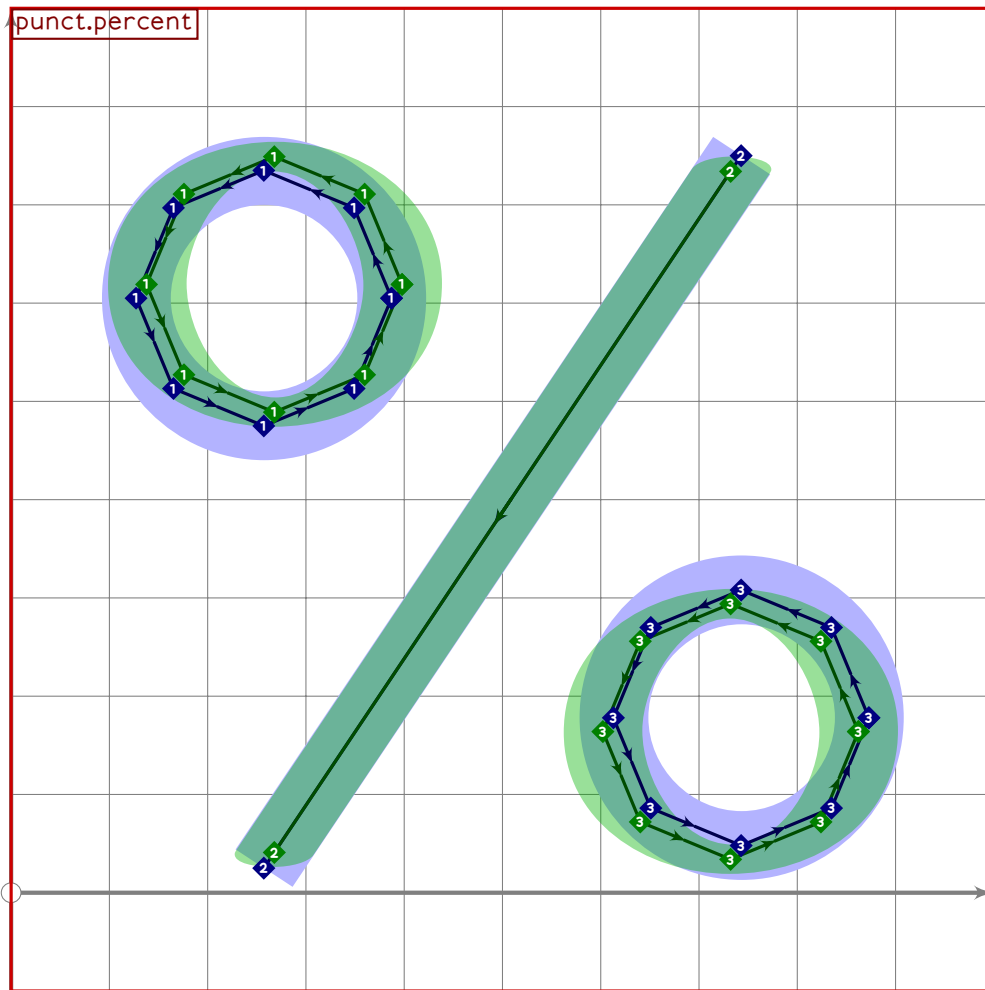
```



```

595 vardef tsu_curve.punct.paren_right =
596   add_proof_box("punct.paren_right");
597   bp[sp]:=bracket1 rotatedaround (centre_pt,180);
598   bq[sp]:=(1.5,1.5)-(2,2)-(1.5,1.5);
599   bo_size[sp]:=90;
600   sp:=sp*1;
601 enddef;

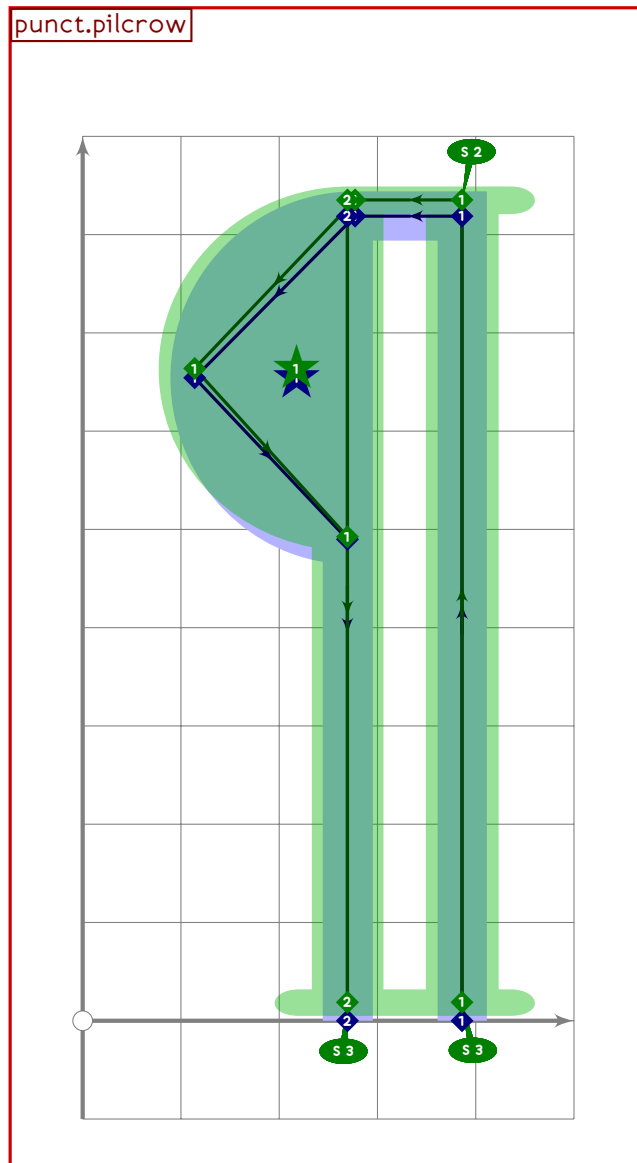
```

```

602
603 vardef tsu_curve.punct.percent =
604   add_proof_box("punct.percent");
605   (x1+x2)/2=500;
606   (x1-x2)=0.67(y1-y2);
607
608   y1=latin_wide_high_v;
609   y2=latin_wide_low_v;
610
611   bp[sp]:=fullcircle scaled 260 shifted (x2,latin_wide_high_r*130);
612   bq[sp]:=(1.6,1.6)-(1.6,1.6)-(1.6,1.6)-(1.6,1.6)-cycle;
613
614   bp[sp*1]=(z1-z2)
615     shifted -centre_pt scaled (tsu_punct_size/100) shifted centre_pt;
616   bq[sp*1]:=(1.6,1.6)-(1.6,1.6);
617
618   bp[sp*2]:=fullcircle scaled 260 shifted (x1,latin_wide_low_r*130);
619   bq[sp*2]:=(1.6,1.6)-(1.6,1.6)-(1.6,1.6)-(1.6,1.6)-cycle;
620   sp:=sp*3;
621 enddef;

```



```

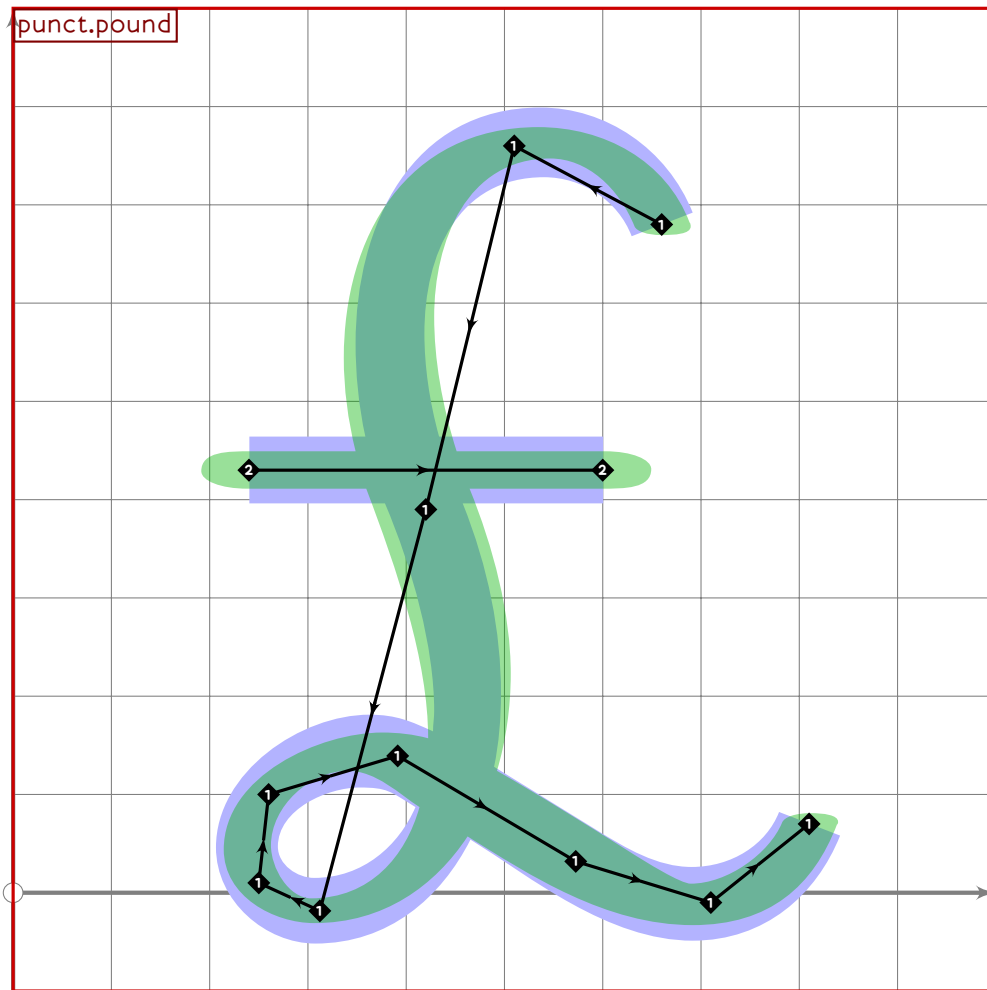
622
623 vardef tsu_curve.punct.pilcrow =
624   add_proof_box("punct.pilcrow");
625   x1=x2=x6=710;
626   x3=x5=x1-420*0.4;
627   x4=x1-420;
628
629   y1=latin_wide_low_v;
630   y2=y3=latin_wide_high_h;
631   y4=(y3*y5)/2;
632   y5=y6=vmetric(0.58);
633
634   x7=x8=x9=x1-1.8*tsu_punct_size;
635   y7=y2+50;
636   y8=y4;
637   y9=y1;

```

```

638
639 bp[sp]:=z1-z2-z3{left}..z4..{right}z5-z6;
640 bq[sp]:=(2,2)-(2,2)-(2,2)-(2,2)-(2,2)-(2,2);
641 bq[sp]:=subpath (0,xpart (bp[sp] intersectiontimes (z8-z9))) of bq[sp];
642 bp[sp]:=subpath (0,xpart (bp[sp] intersectiontimes (z8-z9))) of bp[sp];
643 bo_size[sp]:=67;
644 bo_tip[sp]1:=1;
645 bo_serif[sp]0:=3;
646 bo_serif[sp]1:=2;
647
648 bp[sp*1]:=((z7-z8) intersectionpoint bp[sp])~z9;
649 bq[sp*1]:=(2,2)-(2,2);
650 bo_size[sp*1]:=67;
651 bo_serif[sp*1]1:=3;
652
653 if tsu_pbrush_size>=30:
654   lcblob1:=(subpath (xpart (bp[sp] intersectiontimes (z7-z8)),infinity)
655     of bp[sp])~cycle;
656   fi;
657   sp:=sp*2;
658 enddef;
659
660 vardef tsu_curve.punct.plus(expr t) =
661   bp[sp]:=((-1,0)-(1,0)) transformed t;
662   bq[sp]:=(2,2)-(2,2);
663   bo_size[sp]:=90;
664   bp[sp*1]:=((0,1)-(0,-1)) transformed t;
665   bq[sp*1]:=(2,2)-(2,2);
666   bo_size[sp*1]:=90;
667   prf_box[sp]:=identity shifted (-0.5,0.5) scaled 2.4 transformed t;
668   prf_box_name[sp]:="punct.plus";
669   sp:=sp*2;
670 enddef;
671
672 vardef tsu_curve.punct.plusminus(expr t) =
673   bp[sp]:=((-1,0.25)-(1,0.25)) transformed t;
674   bq[sp]:=(2,2)-(2,2);
675   bo_size[sp]:=90;
676   bp[sp*1]:=((0,1.25)-(0,-0.75)) transformed t;
677   bq[sp*1]:=(2,2)-(2,2);
678   bo_size[sp*1]:=90;
679   bp[sp*2]:=((-1,-1.25)-(1,-1.25)) transformed t;
680   bq[sp*2]:=(2,2)-(2,2);
681   bo_size[sp*2]:=90;
682   prf_box[sp]:=identity shifted (-0.5,0.5) xyscaled (2.4,3.2) transformed t;
683   prf_box_name[sp]:="punct.plusminus";
684   sp:=sp*3;
685 enddef;

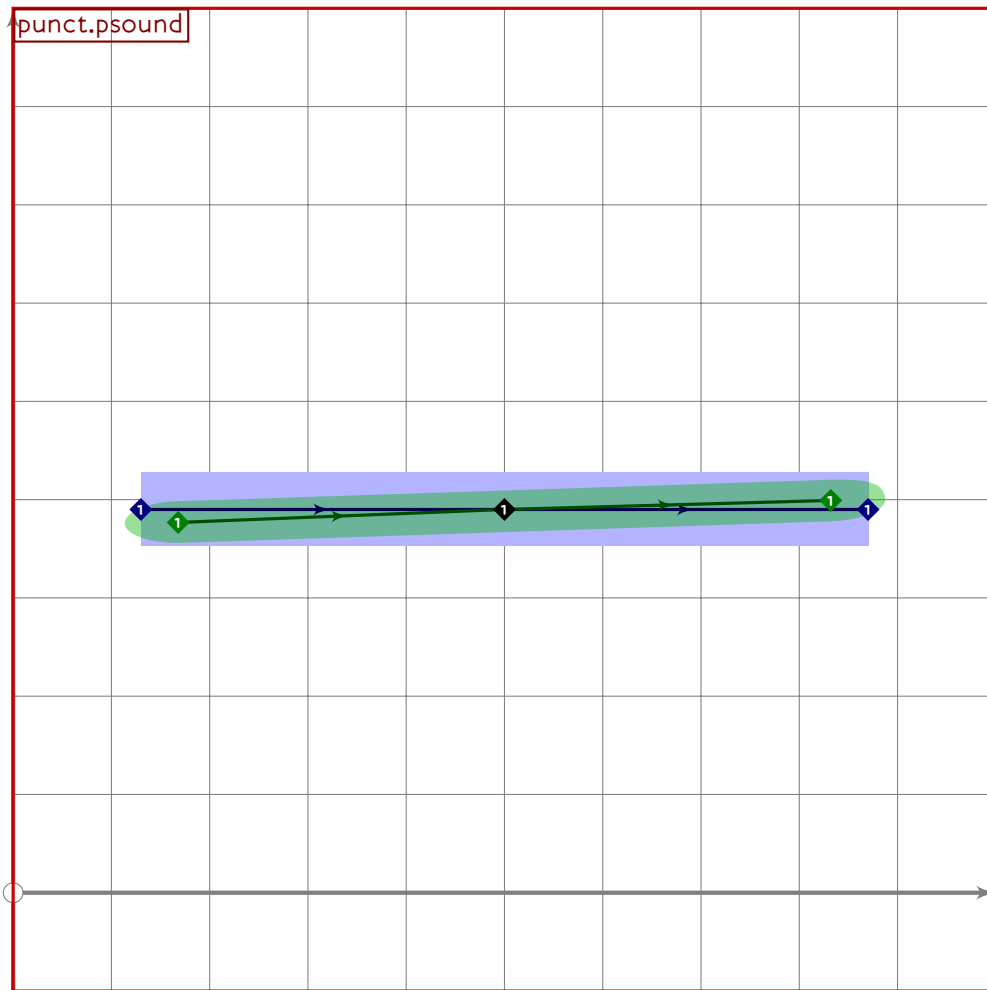
```



```

686
687 vardef tsu_curve.punct.pound =
688   add_proof_box("punct.pound");
689   bp[sp]:=(660,680)..(510,760)..(420,390)..tension 1.1..(250,10)..
690     (260,100)..(710,-10)..(810,70);
691   bp[sp]:=insert__nodes(bp[sp])(2.8,4.3,4.7);
692   bq[sp]:=(1.3,1.3)-(1.7,1.7)-(1.9,1.9)-(1.4,1.4)-(1.2,1.2)-
693     (1.1,1.2)-(2,2)-(2.1,2.1)-(2,2)-(1.3,1.3);
694   bp[sp*1]:=(240,430)-(600,430);
695   bq[sp*1]:=(2,2)-(2,2);
696   bo_size[sp*1]:=90;
697   sp:=sp*2;
698 enddef;

```



```

699
700 vardef tsu_curve.punct.psound =
701   add_proof_box("punct.psound");
702   bp[sp]:=(130,390-15*mincho)..(500,390)..(870,390+10*mincho);
703   bq[sp]:=(0.7,3.3)-(2,2)-(0.7,3.3);
704   sp:=sp*1;
705 enddef;
706
707 vardef tsu_curve.punct.make_period(expr cpos) =
708   bp[sp]:=fullcircle scaled (tsu_punct_size*1.5) shifted cpos;
709   bq[sp]:=(2,2)-(2,2)-(2,2)-(2,2)-cycle;
710
711   if tsu_pbrush_size>=30:
712     bo_size[sp]:=40;
713     i:=1; forever: exitif unknown lcblob[i]; i:=i+1; endfor;
714     lcblob[i]:=bp[sp];
715   else:
716     bo_size[sp]:=80;
717   fi;
718   prf_box[sp]:=identity shifted (-0.5,0.5)
719     scaled (tsu_punct_size*1.5) shifted cpos;

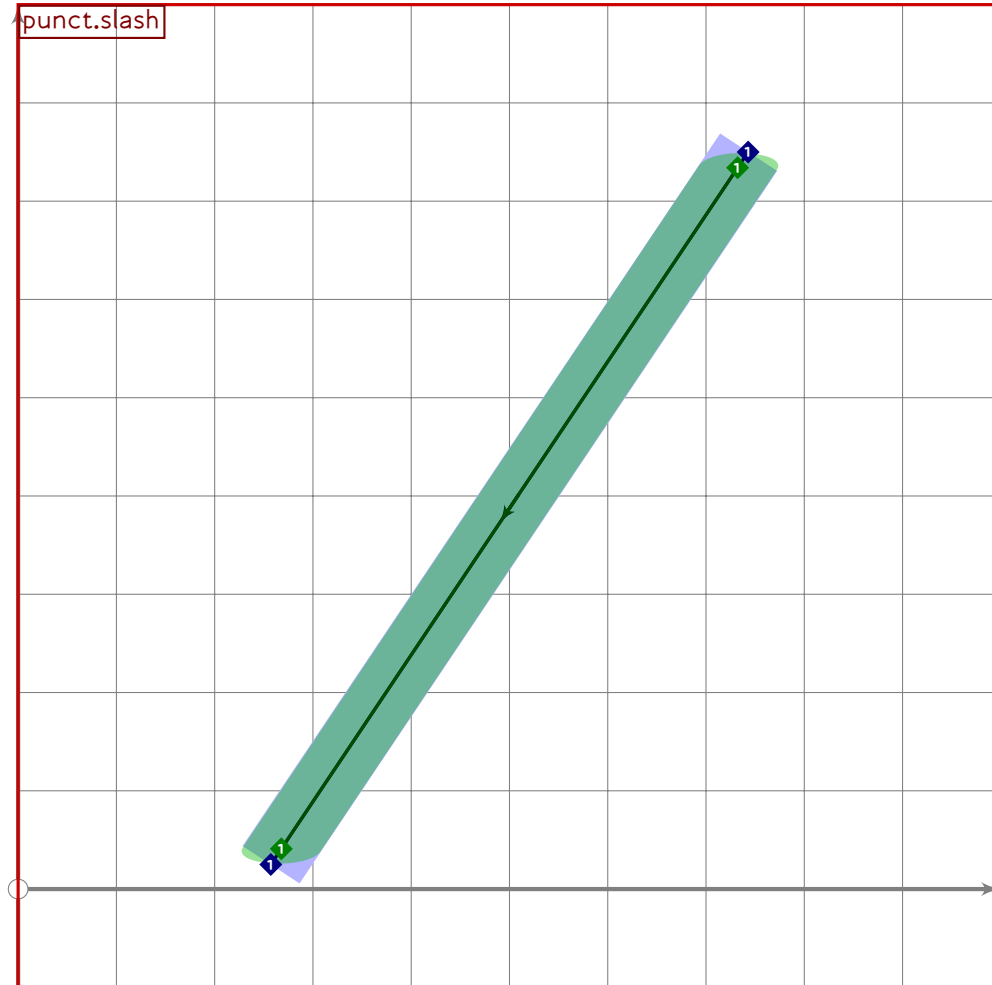
```



```

736 bp[sp]:=(z1..z2..z3..z4..z5..z6) rotatedaround (centre_pt,6);
737 bq[sp]:=(1.8,1.8)-(1.2,1.2)-(1.7,1.7)-(1.3,1.3)-(2,2)-(1.5,1.5);
738
739 bp[sp*1]:=bp[sp] rotatedaround (centre_pt,180);
740 bq[sp*1]:=bq[sp];
741 sp:=sp*2;
742 enddef;

```



```

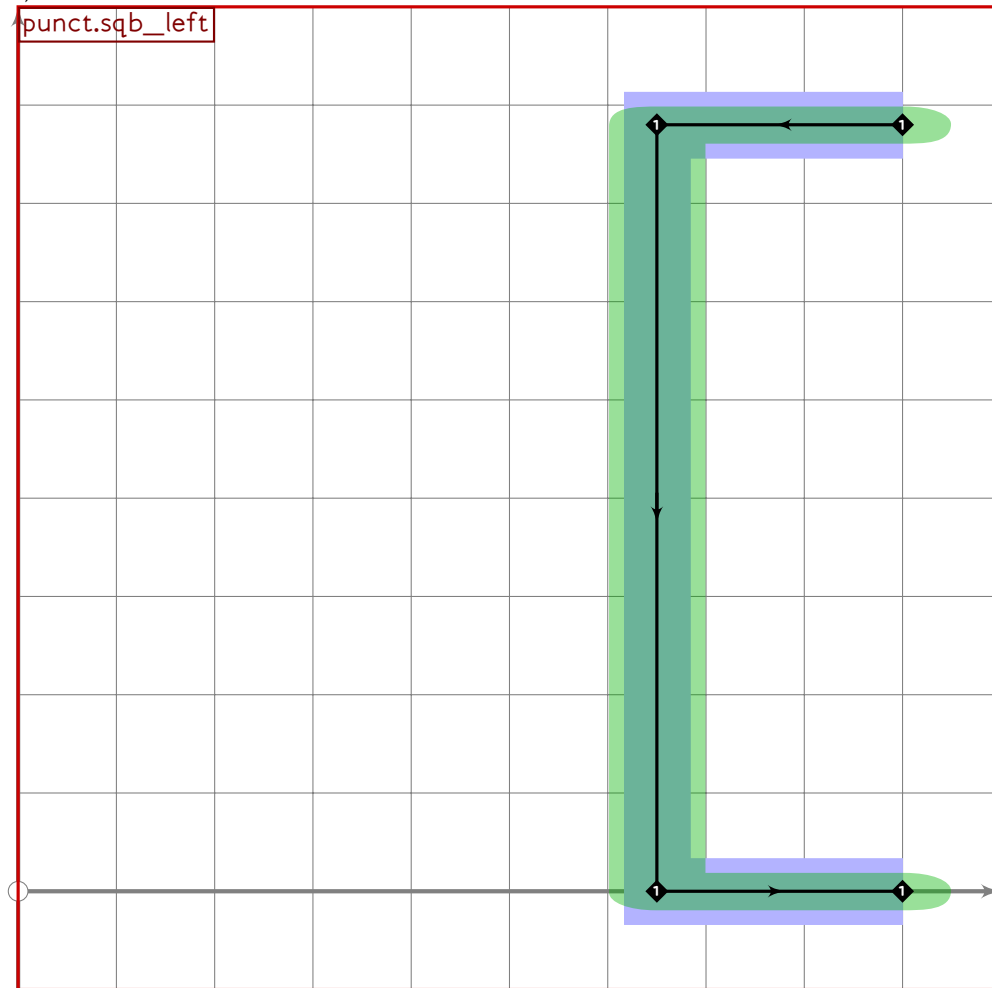
743
744 vardef tsu_curve.punct.slash =
745   add_proof_box("punct.slash");
746   (x1*x2)/2=500;
747   (x1-x2)=0.67(y1-y2);
748
749   y1=latin_wide_high_v;
750   y2=latin_wide_low_v;
751
752   bp[sp]:=(z1-z2)
753     shifted -centre_pt scaled (tsu_punct_size/100) shifted centre_pt;
754   bq[sp]:=(1.6,1.6)-(1.6,1.6);
755   sp:=sp*1;
756 enddef;

```

```

757
758 vardef tsu_curve.punct.sqb_intro =
759   add_proof_box("punct.sqb_intro");
760   bracket1:=(900,780)-
761     (900-2.5*tsu_punct_size,780)-
762     (900-2.5*tsu_punct_size,0)-
763     (900,0);
764 enddef;

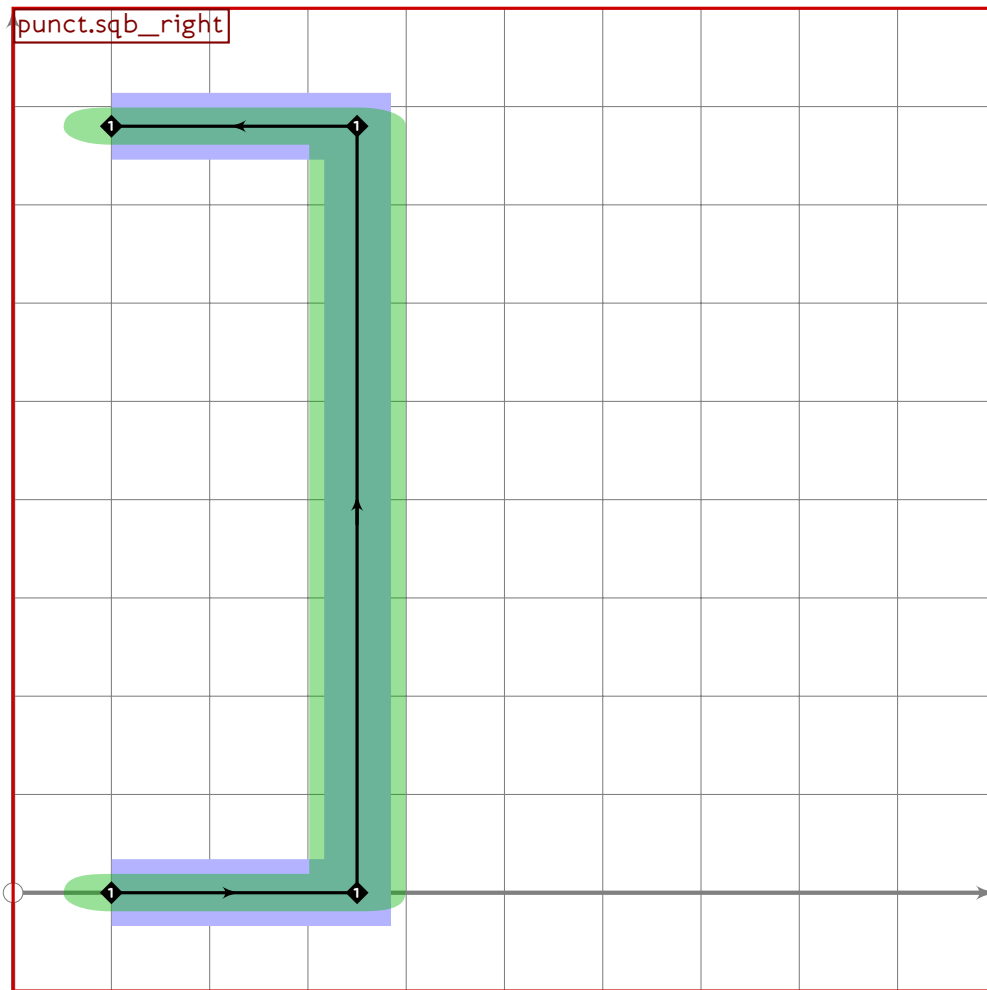
```



```

765 vardef tsu_curve.punct.sqb_left =
766   add_proof_box("punct.sqb_left");
767   bp[sp]:=bracket1;
768   bq[sp]:=(2,2)-(2,2)-(2,2)-(2,2);
769   bo_size[sp]:=90;
770   bo_tip[sp]1:=1;
771   bo_tip[sp]2:=1;
772   sp:=sp*1;
773 enddef;

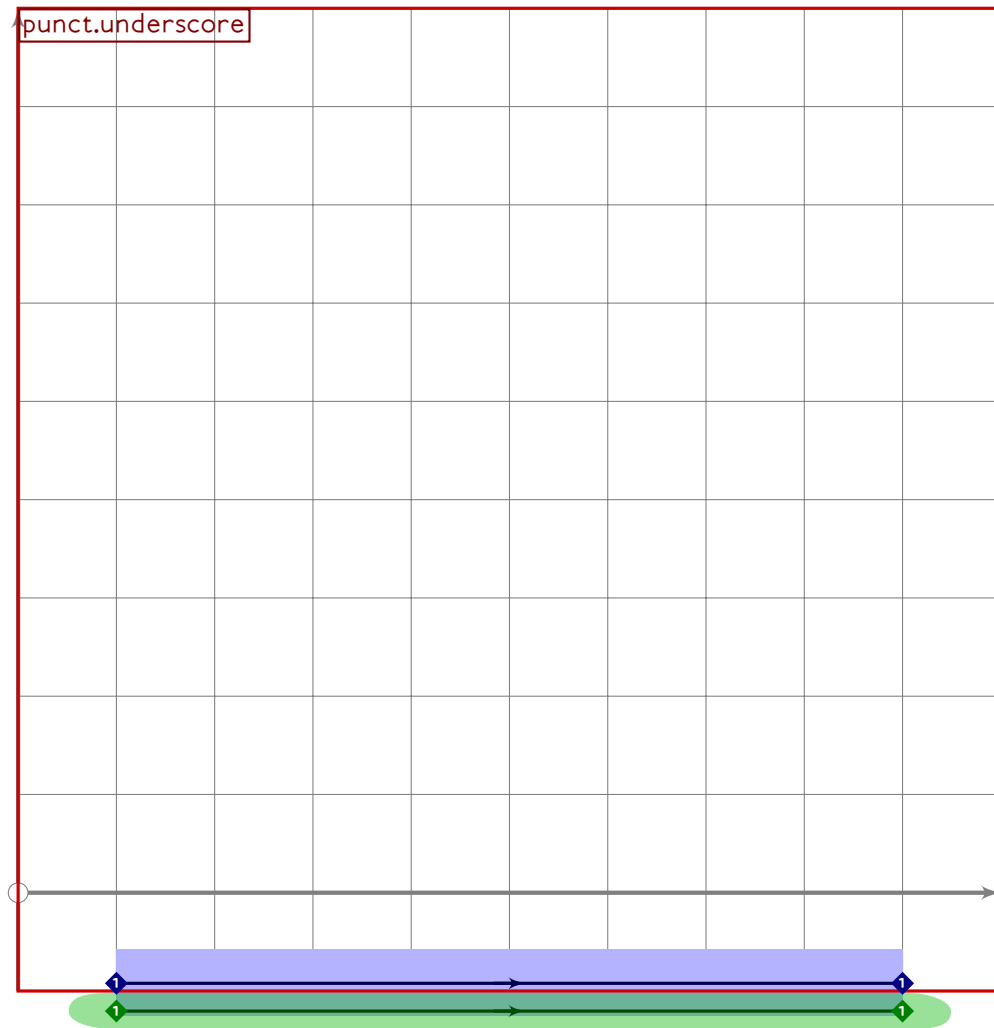
```

```

774 vardef tsu_curve.punct.sqb_right =
775   add_proof_box("punct.sqb_right");
776   bp[sp]:=bracket1 rotatedaround (centre_pt,180);
777   bq[sp]:=(2,2)-(2,2)-(2,2)-(2,2);
778   bo_size[sp]:=90;
779   bo_tip[sp]1:=1;
780   bo_tip[sp]2:=1;
781   sp:=sp*1;
782 enddef;
783
784 vardef tsu_curve.punct.times(expr t) =
785   bp[sp]:=((-1,1)-(1,1)) transformed t;
786   bq[sp]:=(2,2)-(2,2);
787   bo_size[sp]:=90;
788   bp[sp*1]:=((-1,1)-(1,-1)) transformed t;
789   bq[sp*1]:=(2,2)-(2,2);
790   bo_size[sp*1]:=90;
791   prf_box[sp]:=identity shifted (-0.5,-0.5) scaled 2.4 transformed t;
792   prf_box_name[sp]:="punct.times";
793   sp:=sp*2;
794 enddef;

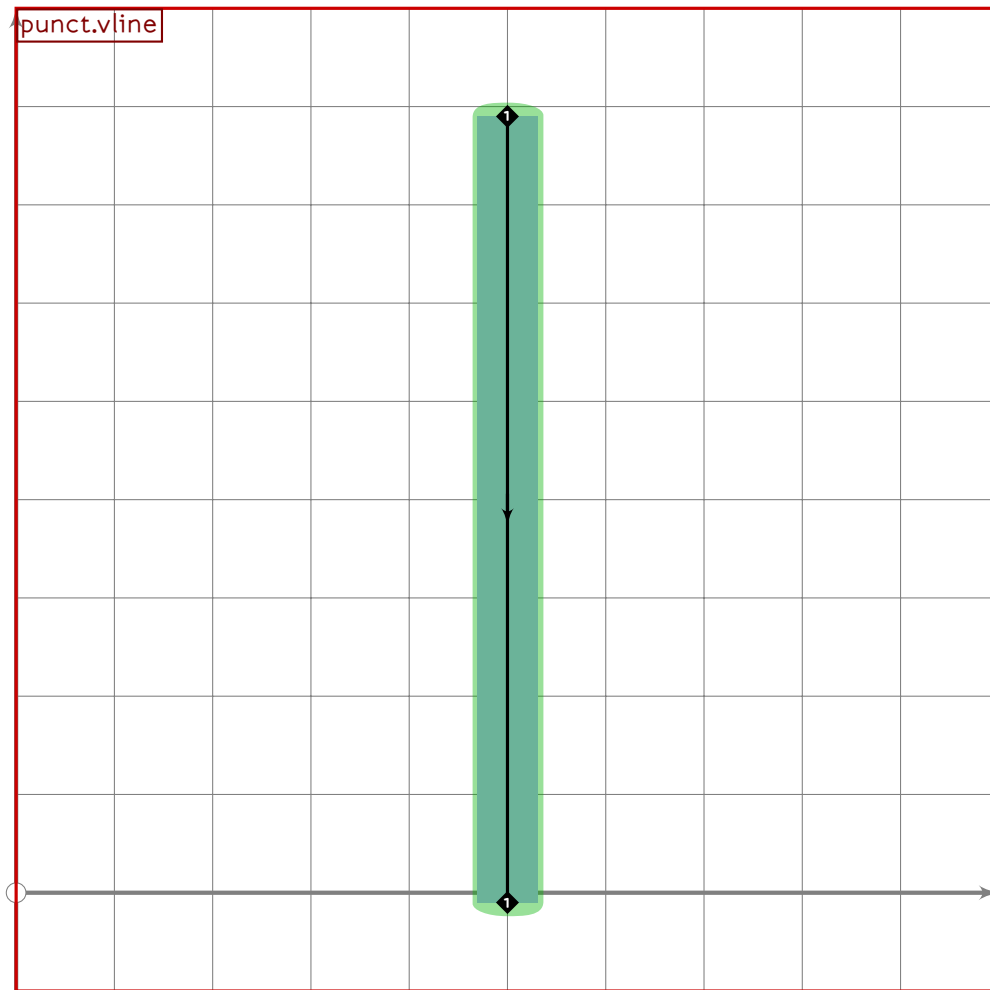
```



```

795
796 vardef tsu_curve.punct.underscore =
797   add_proof_box("punct.underscore");
798   bp[sp]:=(100,0.3[latin_wide_desc_h,latin_wide_low_h])–
799     (900,0.3[latin_wide_desc_h,latin_wide_low_h]);
800   bq[sp]:=(2,2)–(2,2);
801   bo_size[sp]:=90;
802   sp:=sp*1;
803 enddef;

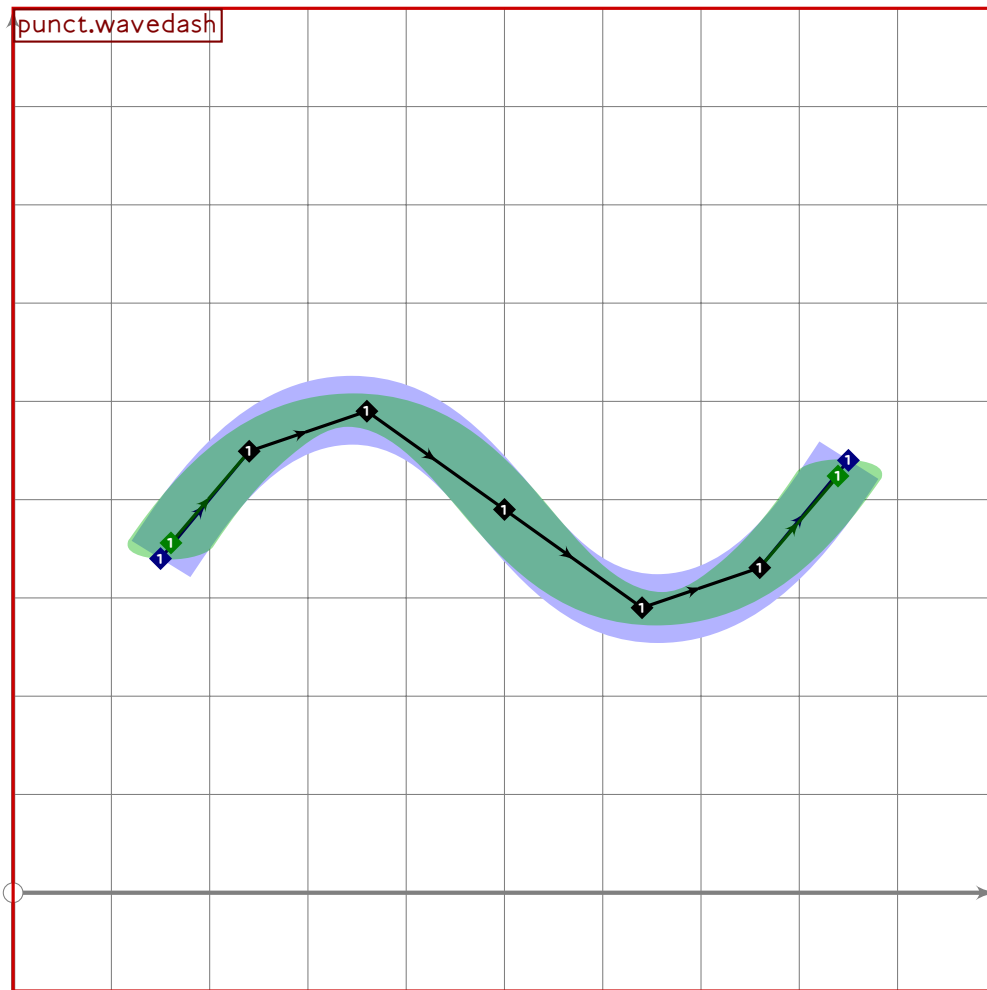
```



```

804
805 vardef tsu_curve.punct.vline =
806   add_proof_box("punct.vline");
807   bp[sp]:=(500,690*tsu_punct_size)-(500,90-tsu_punct_size);
808   bq[sp]:=(1.6,1.6)-(1.6,1.6);
809   bo_size[sp]:=90;
810   sp:=sp*1;
811 enddef;

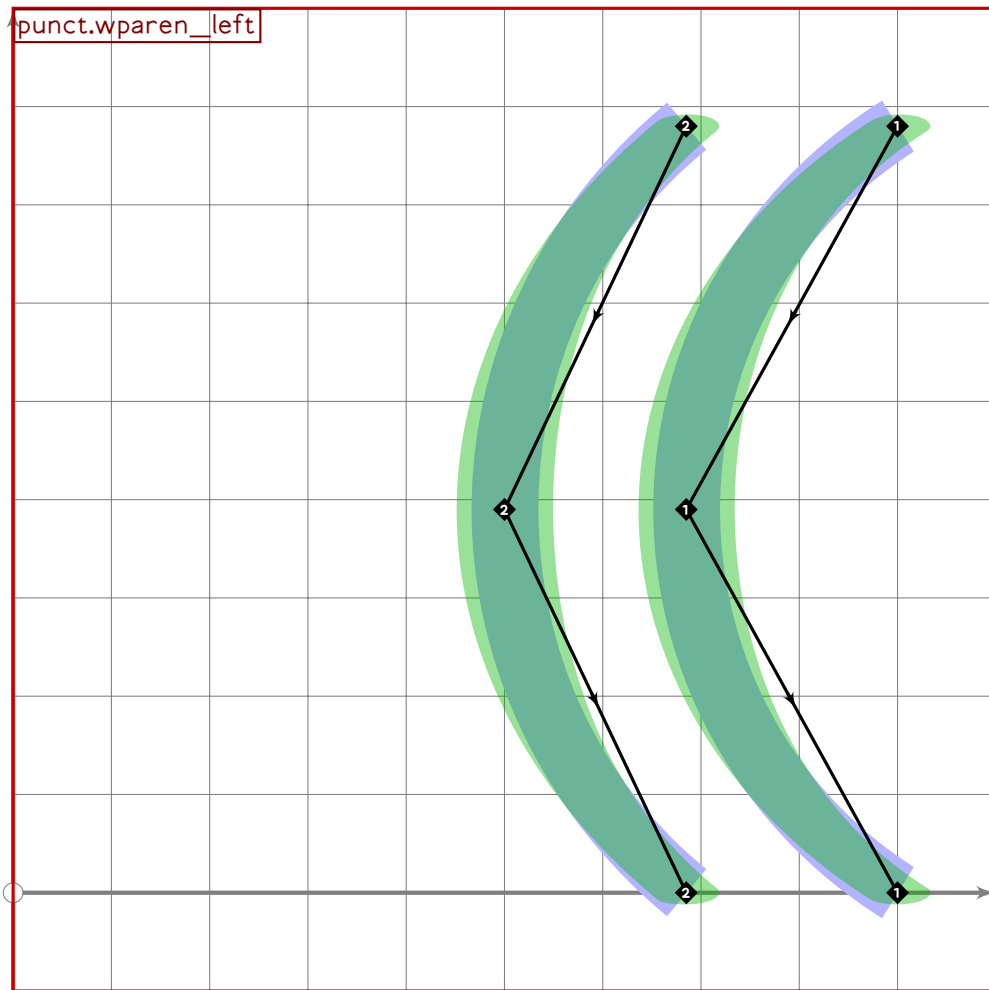
```



```

812
813 vardef tsu_curve.punct.wavedash =
814   add_proof_box("punct.wavedash");
815   bp[sp]:=(-3.5,-0.5){curl 0}..(-1.4,1)..(0,0)..(1.4,-1)..{curl 0}(3.5,0.5)
816   scaled tsu_punct_size shifted centre_pt;
817   bp[sp]:=insert_nodes(bp[sp])(0.5,3.5);
818   bq[sp]:=(0.7,2.7)-(1.7,1.7)-(1.7,1.7)-(1.7,1.7)-(1.7,1.7)-
819     (1.7,1.7)-(0.7,2.7);
820   sp:=sp*1;
821 enddef;
822
823 vardef tsu_curve.punct.wparen_intro =
824   add_proof_box("punct.wparen_intro");
825   bracket1:=(900,780)..(900-2.15*tsu_punct_size,390)..(900,0);
826   bracket2:=(900-2.15*tsu_punct_size,780)..
827     (900-4*tsu_punct_size,390)..
828     (900-2.15*tsu_punct_size,0);
829 enddef;

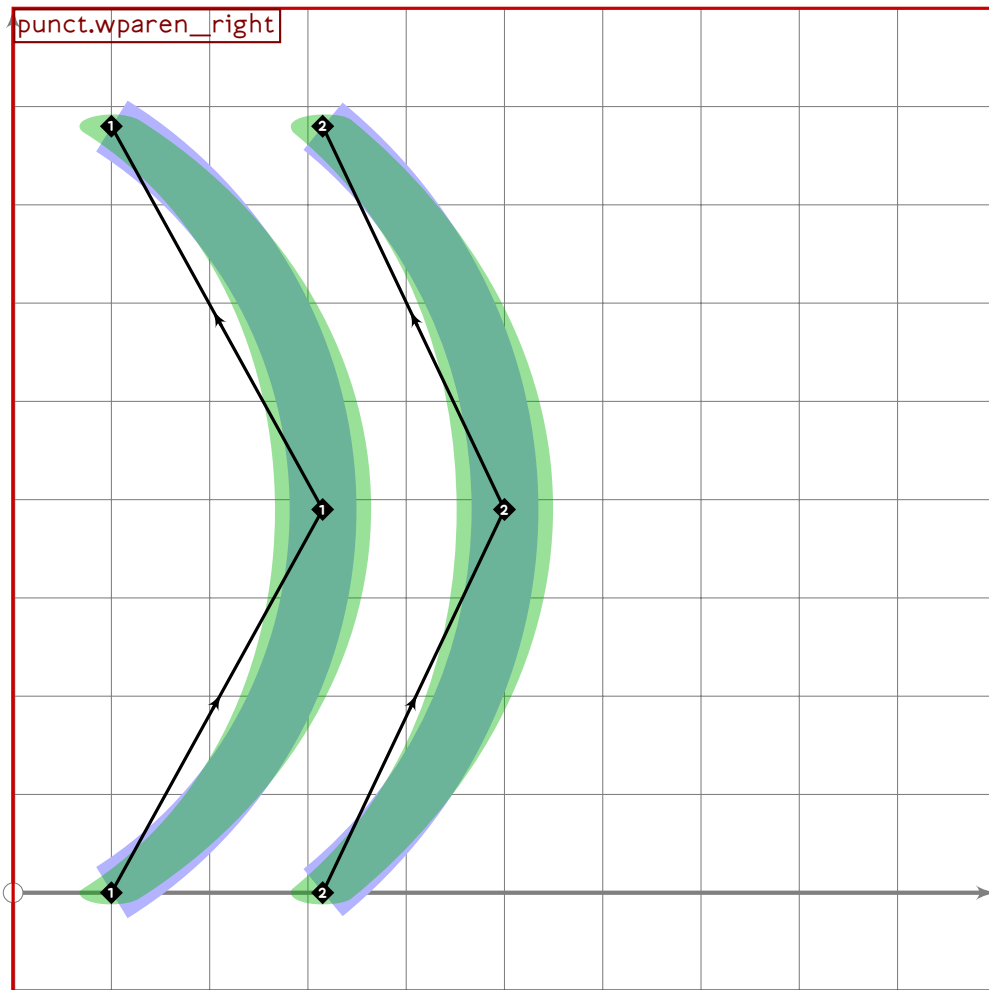
```



```

830 vardef tsu_curve.punct.wparen_left =
831   add_proof_box("punct.wparen_left");
832   bp[sp]:=bracket1;
833   bq[sp]:=(1.5,1.5)-(2,2)-(1.5,1.5);
834   bo_size[sp]:=90;
835   bp[sp*1]:=bracket2;
836   bq[sp*1]:=(1.5,1.5)-(2,2)-(1.5,1.5);
837   bo_size[sp*1]:=90;
838   sp:=sp*2;
839 enddef;

```



```

840 vardef tsu_curve.punct.wparen_right =
841   add_proof_box("punct.wparen_right");
842   bp[sp]:=bracket1 rotatedaround (centre_pt,180);
843   bq[sp]:=(1.5,1.5)-(2,2)-(1.5,1.5);
844   bo_size[sp]:=90;
845   bp[sp*1]:=bracket2 rotatedaround (centre_pt,180);
846   bq[sp*1]:=(1.5,1.5)-(2,2)-(1.5,1.5);
847   bo_size[sp*1]:=90;
848   sp:=sp*2;
849 enddef;

```

serif.mp

```
1 %
2 % Serifs for Tsukurimashou
3 % Copyright (C) 2011 Matthew Skala
4 %
5-29 [Standard copyright notice]
30
31 

---


32
33 % figure out size of brush
34 (sbrush_width,sbrush_height)=urcorner (
35   fullcircle yscaled tsu_brush_shape
36   rotated tsu_brush_angle
37 );
38 if sbrush_width>sbrush_height:
39   sbrush_long:=sbrush_width;
40   sbrush_short:=sbrush_height;
41 else:
42   sbrush_short:=sbrush_width;
43   sbrush_long:=sbrush_height;
44 fi;
45
46 

---


47
48 vardef tsu_serif.latin.lrcore(expr bst,plp,dlp,l,bts,bos) =
49   serif:=serif xscaled sbrush_long yscaled sbrush_short;
50   serif:=serif xscaled ((1+3*xxpart tsu_rescaling_xf)/4)
51   yscaled bos scaled bts;
52   glstk[nlgs]:=regenerate(serif shifted plp);
53   ngl:=ngls*1;
54 enddef;
55
56 vardef tsu_serif.latin.left(expr bst,plp,dlp,l,bts,bos) =
57   begingroup
58     save serif;
59     path serif;
60     if sharp_corners:
61       serif:={-serif_size,1}-{-serif_size,1}-
62         (0,1)-(0,1)-cycle;
63     else:
64       serif:={-serif_size,1}{left}..{right}{-serif_size,1}-
65         (0,1)-(0,1)-cycle;
66     fi;
67     tsu_serif.latin.lrcore(bst,plp,dlp,l,bts,bos);
68   endgroup;
69 enddef;
70
```

```

71 vardef tsu_serif.latin.right(expr bst,plp,dlp,l,bts,bos) =
72   begingroup
73     save serif;
74     path serif;
75     if sharp_corners:
76       serif:=(0,1)-(0,-1)-
77         (serif_size,1)-(serif_size,1)-cycle;
78     else:
79       serif:=(0,1)-(0,-1)-
80         (serif_size,1){right}..{left}(serif_size,1)-cycle;
81     fi;
82     tsu_serif.latin.lrcore(bst,plp,dlp,l,bts,bos);
83   endgroup;
84 enddef;
85
86 vardef tsu_serif.latin.leftright(expr bst,plp,dlp,l,bts,bos) =
87   begingroup
88     save serif,xoffs;
89     path serif;
90     if sharp_corners:
91       serif:=(serif_size,1)-(serif_size,1)-
92         (serif_size,1)-(serif_size,1)-cycle;
93     else:
94       serif:=(serif_size,1){left}..{right}(serif_size,1)-
95         (serif_size,1){right}..{left}(serif_size,1)-cycle; fi;
96     numeric xoffs;
97     xoffs=xpart (dlp/abs(dlp));
98     tsu_serif.latin.lrcore(bst,
99       plp*if l=0: right else: left fi*50*sbrush_long*xoffs,
100     dlp,l,bts,bos);
101   endgroup;
102 enddef;
103
104
105
106 vardef tsu_serif.mincho.corner(expr bst,plp,dlp,l,bts,bos) =
107   begingroup
108     save serif;
109     path serif;
110     serif:=(1,-0.3)..(0.25,-1.3)..(1,-1.2)..tension 1.2..
111       (1,0.6)..(-0.25,1.3)..(-1,1.2)..tension 1.2..cycle;
112     serif:=serif yscaled sqrt(tsu_brush_shape) rotated tsu_brush_angle
113       scaled (bts*0.43);
114     glstk[ngls]:=regenerate(serif shifted plp);
115     ngls:=ngls*1;
116   endgroup;
117 enddef;
118

```



```

119 vardef tsu_serif.mincho.ulpoint(expr bst,plp,dlp,l,bts,bos) =
120   begingroup
121     save serif;
122     path serif;
123     serif=(-1.5,2.7)..tension 2..(-1,0)..(-0.4,-0.3)..tension 1.5..
124       (0.707,0)..(0.2,0.6)..(-0.1,1.1)..tension 2..(-1.2,2.9)..cycle;
125     serif:=serif yscaled sqrt(tsu_brush_shape) rotated tsu_brush_angle
126       scaled (bts*0.5);
127     glstk[ngls]:=regenerate(serif shifted
128       (plp*(-1,0)*0.25*bts*(xpart dlp/abs(dlp))));
129     ngls:=ngls+1;
130   endgroup;
131 enddef;
132
133 vardef tsu_serif.mincho.triangle(expr bst,plp,dlp,l,bts,bos) =
134   begingroup
135     save serif;
136     path serif;
137     serif=(-1.2,0)..(0,-0.8)..(1.2,0.4)..tension 2..(0.2,1.3)..
138       (-0.2,1.3)..tension 2..cycle;
139     serif:=serif yscaled sqrt(tsu_brush_shape) rotated tsu_brush_angle
140       scaled (bts*0.5);
141     glstk[ngls]:=regenerate(serif shifted (plp*0.25*bts*dlp/abs(dlp)));
142     ngls:=ngls+1;
143   endgroup;
144 enddef;
145
146 vardef tsu_serif.mincho.llpoint(expr bst,plp,dlp,l,bts,bos) =
147   begingroup
148     save serif;
149     path serif;
150     serif=(-2.1,-1.9)..(-1.8,2.1)..tension 2..(-0.1,-1.2)..(0.2,-1.1)..
151       (0.707,0.707)..(-1,-0.3)..tension 2..cycle;
152     serif:=serif yscaled sqrt(tsu_brush_shape) rotated tsu_brush_angle
153       scaled (bts*0.5);
154     glstk[ngls]:=regenerate(serif shifted plp);
155     ngls:=ngls+1;
156   endgroup;
157 enddef;
158
159 vardef tsu_serif.mincho.lpoint(expr bst,plp,dlp,l,bts,bos) =
160   begingroup
161     save serif;
162     path serif;
163     serif=(-1.5,1.7)..tension 2..(-1,0)..(-0.4,-0.3)..tension 1.8..
164       (0.707,0.2)..(0.2,0.8)..(-0.4,1.1)..tension 2..(-1.2,2.0)..cycle;
165     serif:=reverse serif reflectedabout ((-1,1),(1,-1))
166       xyscaled (0.7,0.9) shifted (0.3,-0.3);

```

```

167 serif:=serif yscaled sqrt(tsu_brush_shape) rotated tsu_brush_angle
168 scaled bts;
169 glstk[ngls]:=regenerate(serif shifted plp);
170 ngls:=ngls*1;
171 endgroup;
172 enddef;
173
174 vardef tsu_serif.mincho.ktriangle(expr bst,plp,dlp,l,bts,bos) =
175 begingroup;
176 save serif,x,y,t,q;
177 path serif;
178 transform t;
179 (0,0) transformed t=(0,0);
180 right transformed t=(dlp/abs(dlp));
181 z1=(dlp/abs(dlp)) rotated 90;
182 if y1<-x1: x1:=-x1; y1:=-y1; fi;
183 up transformed t=z1;
184 q1:=2;
185 q2:=q1**0.5;
186 q3:=0.5*q2/q1;
187 q5:=0.5**q3;
188 z2=(0,q1);
189 z3=(-q3,q5);
190 z4=(q3,q5);
191 serif:=((0.1[z2,z4]){z2-z4}..{z3-z2}{0.1[z2,z3]}
192 -z3-z4-cycle)
193 transformed t yscaled tsu_brush_shape
194 rotated tsu_brush_angle
195 scaled (bts*bos*0.98) shifted plp;
196 if (xxpart t)*(yypart t)<0: serif:=reverse serif; fi;
197 glstk[ngls]:=regenerate(serif);
198 ngls:=ngls*1;
199 endgroup;
200 enddef;
201
202 vardef tsu_serif.mincho.khellipse(expr bst,plp,dlp,l,bts,bos) =
203 begingroup;
204 save serif,x,y,t,q;
205 path serif;
206 transform t;
207 (0,0) transformed t=(0,0);
208 right transformed t=(dlp/abs(dlp));
209 z1=(dlp/abs(dlp)) rotated 90;
210 up transformed t=z1;
211 t:=t rotated -tsu_brush_angle yscaled tsu_brush_shape
212 rotated tsu_brush_angle scaled (bts*bos*0.99) shifted plp;
213 z2=(0.5[x3,x4],1);
214 if l=0:

```

```

215     z3=(-0.5,0);
216     z4=(1.3,0);
217     else:
218         z3=(-1.3,0);
219         z4=(0.5,0);
220     fi;
221     serif:=(z4{up}..z2..{down}z3-cycle) transformed t;
222     glstk[ngls]:=regenerate(serif);
223     ngls:=ngls*1;
224     endgroup;
225 enddef;
226
227 % standard serif codes:
228 % 1 - Latin left
229 % 2 - Latin right
230 % 3 - Latin left and right
231 % 4 - Mincho corner blob
232 % 5 - Mincho blob, pointy to ul
233 % 6 - Mincho blob, triangular
234 % 7 - Mincho blob, point to ll
235 % 8 - Mincho blob, point to l
236 % 9 - Mincho kanji triangle
237 % 10 - Mincho kanji half-ellipse
238
239 boolean tsu_do_serif[];
240
241 vardef tsu_serif.standard(expr bst,plp,dlp,l,bts,bos) =
242   if known tsu_do_serif[1]:
243     if tsu_do_serif[1] and (bst=1):
244       tsu_serif.latin.left(bst,plp,dlp,l,bts,bos);
245     fi;
246   fi;
247   if known tsu_do_serif[2]:
248     if tsu_do_serif[2] and (bst=2):
249       tsu_serif.latin.right(bst,plp,dlp,l,bts,bos);
250     fi;
251   fi;
252   if known tsu_do_serif[3]:
253     if tsu_do_serif[3] and (bst=3):
254       tsu_serif.latin.leftright(bst,plp,dlp,l,bts,bos);
255     fi;
256   fi;
257   if known tsu_do_serif[4]:
258     if tsu_do_serif[4] and (bst=4):
259       tsu_serif.mincho.corner(bst,plp,dlp,l,bts,bos);
260     fi;
261   fi;
262   if known tsu_do_serif[5]:

```

```

263     if tsu_do_serif[5] and (bst=5):
264         tsu_serif.mincho.ulpoint(bst,plp,dlp,l,bts,bos);
265     fi;
266 fi;
267 if known tsu_do_serif[6]:
268     if tsu_do_serif[6] and (bst=6):
269         tsu_serif.mincho.triangle(bst,plp,dlp,l,bts,bos);
270     fi;
271 fi;
272 if known tsu_do_serif[7]:
273     if tsu_do_serif[7] and (bst=7):
274         tsu_serif.mincho.llpoint(bst,plp,dlp,l,bts,bos);
275     fi;
276 fi;
277 if known tsu_do_serif[8]:
278     if tsu_do_serif[8] and (bst=8):
279         tsu_serif.mincho.lpoint(bst,plp,dlp,l,bts,bos);
280     fi;
281 fi;
282 if known tsu_do_serif[9]:
283     if tsu_do_serif[9] and (bst=9):
284         tsu_serif.mincho.ktriangle(bst,plp,dlp,l,bts,bos);
285     fi;
286 fi;
287 if known tsu_do_serif[10]:
288     if tsu_do_serif[10] and (bst=10):
289         tsu_serif.mincho.khellipse(bst,plp,dlp,l,bts,bos);
290     fi;
291 fi;
292 endif;
293
294 vardef tsu_serif.choose(expr bst,plp,dlp,l,bts,bos) =
295     tsu_serif.standard(bst,plp,dlp,l,bts,bos);
296 endif;

```

buildkanji.mp

```
1 %
2 % Build a kanji character by assembling parts
3 % Copyright (C) 2011 Matthew Skala
4 %
5-29 [Standard copyright notice]
30
31 

---


32
33 vardef build_kanji.add_jtail(expr i) =
34   bp[i]:=bp[i]-(xpart point length bp[i] of bp[i],30){down}..
35   {curl 0.2}((xpart point length bp[i] of bp[i])-150,0);
36   bp[i]:=insert_nodes(bp[i])((length bp[i])-0.5);
37   bq[i]:=bq[i]-(1.5,1.5)-(1.4,1.4)-(1.2,1.2);
38 enddef;
39
40 vardef build_kanji.box(expr ul,lr) =
41   begingroup
42     save boxext;
43     if (ypart (ul-lr))>500:
44       boxext:=-100/(ypart (ul-lr));
45     else:
46       boxext:=-0.2;
47     fi;
48     bp[sp]:=(xpart ul,(boxext)[ypart lr,ypart ul])-ul-
49     (xpart lr,ypart ul)-(xpart lr,(boxext)[ypart lr,ypart ul]);
50   endgroup;
51   bq[sp]:=(1.5,1.5)-(1.7,1.7)-(1.7,1.7)-(1.5,1.5);
52   bo_tip[sp][1]:=1;
53   bo_tip[sp][2]:=1;
54   bo_serif[sp][1]:=4;
55   bo_serif[sp][2]:=4;
56   bp[sp*1]:=(xpart ul,ypart lr)-lr;
57   bq[sp*1]:=(1.5,1.5)-(1.5,1.5);
58   sp:=sp*2;
59 enddef;
60
61 vardef build_kanji.cup(expr ul,lr) =
62   bp[sp]:=ul-(xpart ul,(-0.2)[ypart lr,ypart ul]);
63   bq[sp]:=(1.6,1.6)-(1.4,1.4);
64   bo_serif[sp][0]:=10;
65   bp[sp*1]:=(xpart lr,ypart ul)-(xpart lr,(-0.2)[ypart lr,ypart ul]);
66   bq[sp*1]:=(1.6,1.6)-(1.4,1.4);
67   bo_serif[sp*1][0]:=10;
68   bp[sp*2]:=(xpart ul,ypart lr)-lr;
69   bq[sp*2]:=(1.5,1.5)-(1.5,1.5);
70   sp:=sp*3;
```

```

71 endif;
72
73 vardef build_kanji.gate_enclose(text contents) =
74   tsu_curve.kanji.grtwo.gate;
75   begingroup
76     transform xf;
77     (50,50) transformed xf=(220,40);
78     (950,850) transformed xf=(780,420);
79     xypart xf=yxpart xf=0;
80     tsu_xform(xf)(contents);
81   endgroup;
82 endif;
83
84 vardef build_kanji.level(text curves) =
85   begingroup
86     save xsp;
87     xsp:=sp;
88     curves;
89     save lsum,denom;
90     lsum:=0;
91     denom:=0;
92     for i=xsp upto sp-1:
93       if unknown bo_size[i]:
94         bo_size[i]:=100;
95       fi;
96       if (bo_size[i]>0):
97         lsum:=lsum*mlog(bo_size[i]);
98         denom:=denom*i;
99       fi;
100    endfor;
101    for i=xsp upto sp-1:
102      if bo_size[i]>0:
103        bo_size[i]:=mexp(lsum/denom);
104      fi;
105    endfor;
106  endgroup;
107 endif;
108
109 vardef build_kanji.lr(expr splitpoint,overlap)
110 (text leftstuff)(text rightstuff) =
111   begingroup
112     save t;
113     transform t[];
114     yypart t1=yypart t2=1;
115     ypart t1=yxpart t1=xypart t1=ypart t2=yxpart t2=xypart t2=0;
116     (50,0) transformed t1=(50,0);
117     (950,0) transformed t1=(splitpoint*overlap/2,0);
118     (50,0) transformed t2=(splitpoint-overlap/2,0);

```

```

119     (950,0) transformed t2=(950,0);
120     tsu_xform(t1)(leftstuff);
121     tsu_xform(t2)(rightstuff);
122 endgroup;
123 enddef;
124
125 vardef build_kanji.sscale(text tran)(text curves) =
126     tsu_xform(identity shifted (-centre_pt) tran shifted centre_pt)(curves);
127 enddef;
128
129 vardef build_kanji.tb(expr splitpoint,overlap)
130 (text topstuff)(text bottomstuff) =
131     begingroup
132     save t;
133     transform t[];
134     xxpart t1=xxpart t2=1;
135     xpart t1=xy part t1=yx part t1=x part t2=xy part t2=yx part t2=0;
136     (0,850) transformed t1=(0,850);
137     (0,-50) transformed t1=(0,splitpoint-overlap/2);
138     (0,850) transformed t2=(0,splitpoint+overlap/2);
139     (0,-50) transformed t2=(0,-50);
140     tsu_xform(t1)(topstuff);
141     tsu_xform(t2)(bottomstuff);
142 endgroup;
143 enddef;
144
145 vardef build_kanji.tricluster(expr topxscale)
146 (text topstuff)(text leftstuff)(text rightstuff) =
147     build_kanji.tb(500,0)
148     (build_kanji.sscale(xscaled topxscale)(topstuff))
149     (build_kanji.lr(480,0)
150     (leftstuff)
151     (rightstuff));
152 enddef;

```

leftrad.mp

```
1 %
2 % Radicals for left side (often special forms of other radicals)
3 % Copyright (C) 2011 Matthew Skala
4 %
5-29 [Standard copyright notice]
30
31 

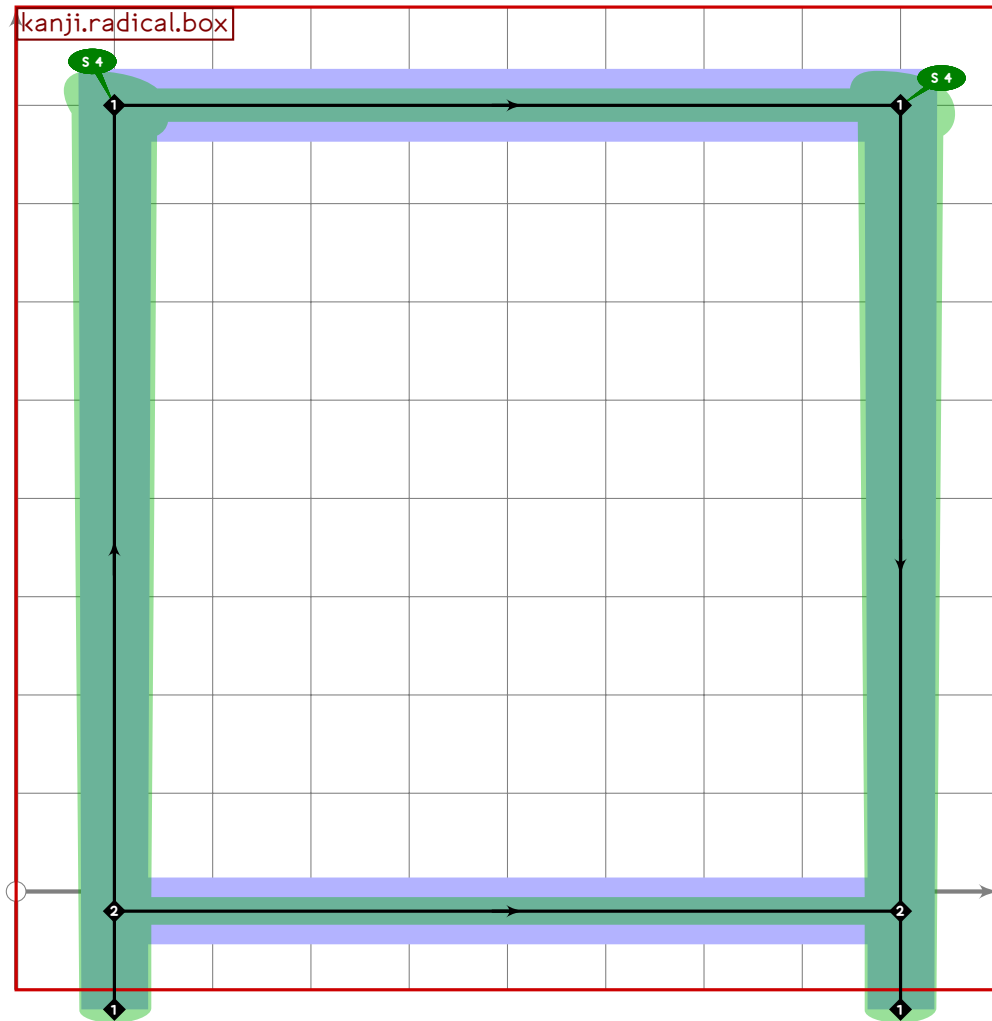
---


32
33 vardef tsu_curve.kanji.leftrad.day =
34   add_proof_box("kanji.leftrad.day");
35   tsu_xform(identity shifted (0,600) yscaled 0.62 shifted (0,600))
36   (tsu_curve.kanji.grone.day);
37 enddef;
38
39 vardef tsu_curve.kanji.leftrad.person =
40   add_proof_box("kanji.leftrad.person");
41   bp[sp]:=(900,800)..(500,520)..(0,330);
42   bq[sp]:=(1.6,1.6)..(1.4,1.4)..(0.8,0.8);
43   bo_size[sp]:=115;
44   bo_serif[sp][0]:=10;
45   bp[sp*1]:=(point 0.7 of bp[sp])..(xpart point 0.7 of bp[sp],-40);
46   bq[sp*1]:=(1.6,1.6)..(1.4,1.4);
47   bo_size[sp*1]:=115;
48   sp:=sp*2;
49 enddef;
50
51 vardef tsu_curve.kanji.leftrad.seven =
52   add_proof_box("kanji.leftrad.seven");
53   build_kanji.sscale(shifted (0,300) yscaled 0.7 shifted (0,300))
54   (tsu_curve.kanji.grone.seven);
55   bo_serif[sp-2][3]:=undef;
56 enddef;
57
58 vardef tsu_curve.kanji.leftrad.wood =
59   add_proof_box("kanji.leftrad.wood");
60   bp[sp]:=(500,780)-(500,0);
61   bq[sp]:=(1.6,1.6)-(1.6,1.6);
62   bo_serif[sp][0]:=10;
63   bp[sp*1]:=(100,580)-(830,580);
64   bq[sp*1]:=(1.6,1.6)-(1.6,1.6);
65   bo_serif[sp*1][1]:=9;
66   bp[sp*2]:=(500,580)..(250,200)..(80,70);
67   bq[sp*2]:=(1.6,1.6)..(1.3,1.3)..(0.9,0.9);
68   bp[sp*3]:=(500,470)..(680,320)..(800,210);
69   bq[sp*3]:=(1.1,1.1)..(1.5,1.5)..(1.7,1.7);
70   sp:=sp*4;
```

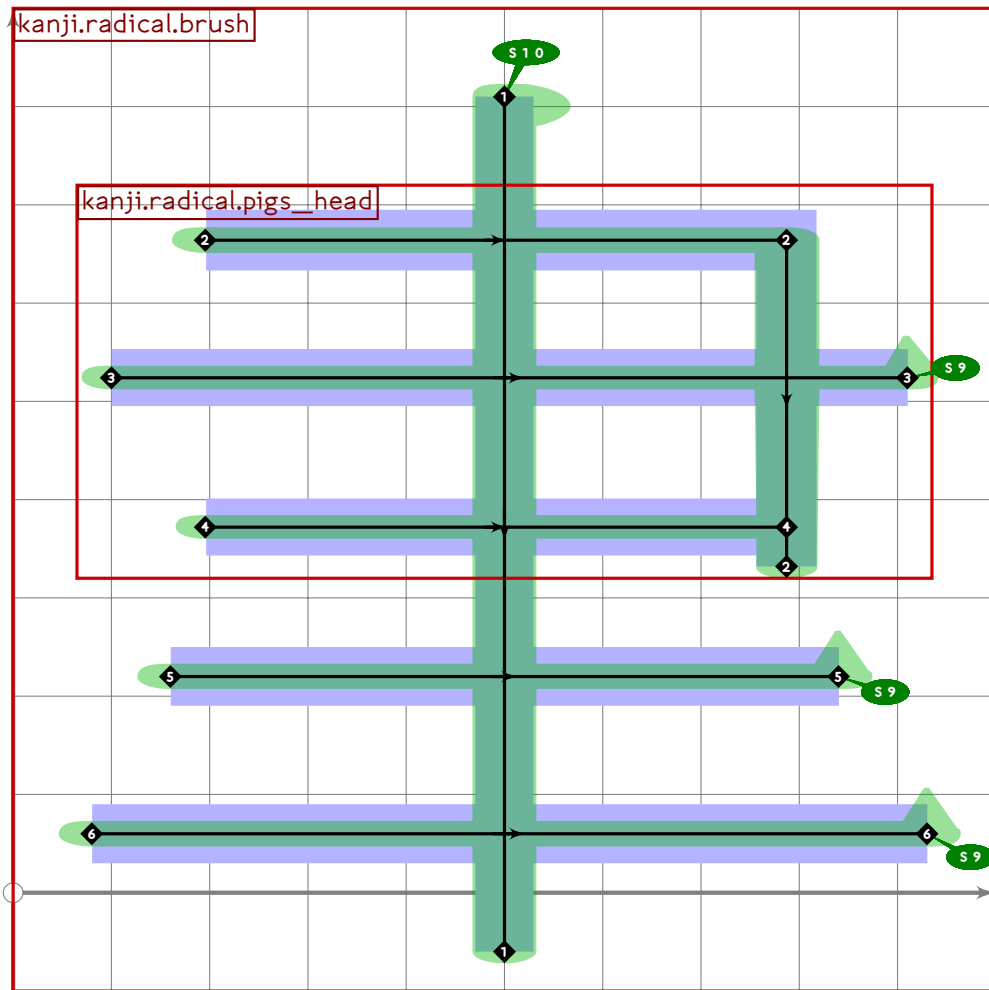

71 enddef;

radical.mp

```
1 %  
2 % Radicals that are not common kanji in themselves  
3 % Copyright (C) 2011 Matthew Skala  
4 %  
5-29 [Standard copyright notice]  
30  
31
```



```
32  
33 vardef tsu_curve.kanji.radical.box =  
34   add_proof_box("kanji.radical.box");  
35   build_kanji_box((100,800),(900,-20));  
36 enddef;
```



```

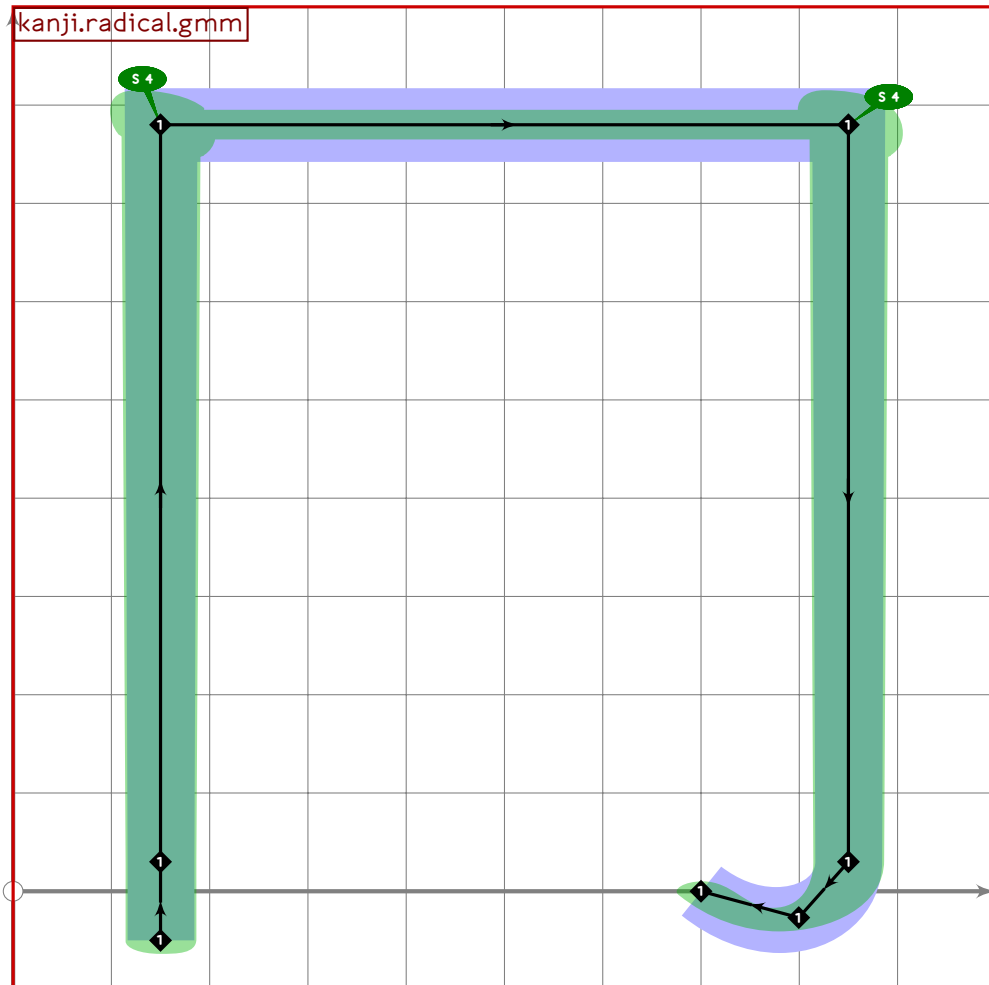
37
38 vardef tsu_curve.kanji.radical.brush =
39   add_proof_box("kanji.radical.brush");
40   bp[sp]:=(500,810)-(500,60);
41   bq[sp]:=(1.6,1.6)-(1.5,1.5);
42   bo_serif[sp][0]:=10;
43   sp:=sp*1;
44   tsu_xform(identity yscaled 0.4 shifted (0,360))
45     (tsu_curve.kanji.radical.pigs_snout);
46   bp[sp]:=(160,220)-(840,220);
47   bq[sp]:=(1.6,1.6)-(1.6,1.6);
48   bo_serif[sp][1]:=9;
49   bp[sp*1]:=(80,60)-(930,60);
50   bq[sp*1]:=(1.6,1.6)-(1.6,1.6);
51   bo_serif[sp*1][1]:=9;
52   sp:=sp*2;
53   for i=sp*6 upto sp*1: bo_size[i]:=85; endfor;
54 enddef;
55
56 vardef tsu_curve.kanji.radical.cut_the_grass =
57   add_proof_box("kanji.radical.cut_the_grass");

```

```

58 bp[sp]:=(150,750)..(500,500)..(850,50);
59 bq[sp]:=(1.3,1.3)-(1.5,1.5)-(1.7,1.7);
60 bp[sp*1]:=(700,800)..(500,330)..(70,-30);
61 bq[sp*1]:=(1.6,1.6)-(1.5,1.5)-(1,1);
62 bo_serif[sp*1][0]:=10;
63 sp:=sp*2;
64 enddef;
65
66 vardef tsu_curve.kanji.radical.eight =
67   add_proof_box("kanji.radical.eight");
68   bp[sp]:=(610,760)..tension 1.3..(760,240)..(880,10);
69   bq[sp]:=(1,1)-(1.4,1.4)-(1.8,1.8);
70   bo_size[sp]:=110;
71   bp[sp*1]:=(350,740)..(280,360)..(160,80)..(40,-30);
72   bq[sp*1]:=(1.6,1.6)-(1.4,1.4)-(1.3,1.3)-(0.88,0.88);
73   bo_size[sp*1]:=110;
74   bo_serif[sp*1][0]:=10;
75   sp:=sp*2;
76 enddef;
77

```

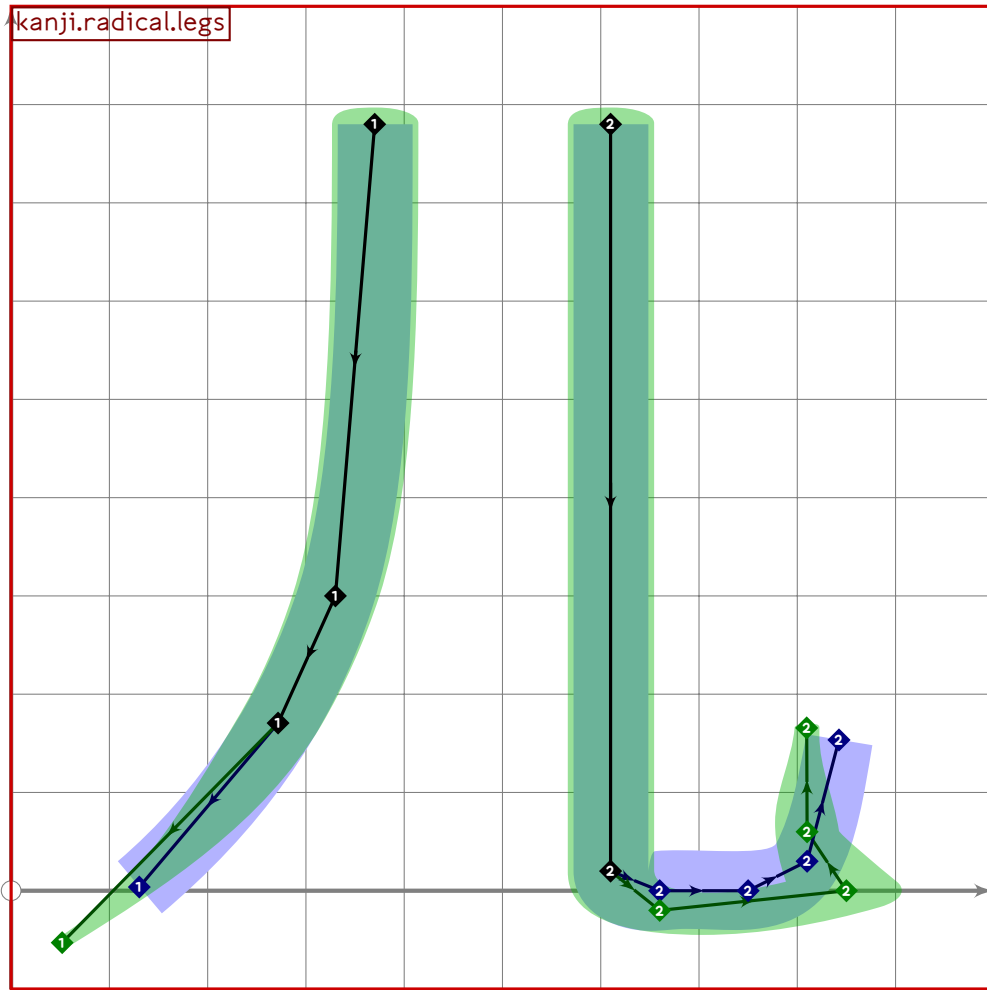


78 % "George Michael's Moustache" radical, according to Schultzzz

```

79 vardef tsu_curve.kanji.radical.gmm =
80   add_proof_box("kanji.radical.gmm");
81   bp[sp]:=(150,-50)-(150,30)-(150,780)-(850,780);
82   bq[sp]:=(1.5,1.5)-(1.5,1.5)-(1.6,1.6)-(1.6,1.6);
83   build_kanji.add_jtail(sp);
84   bo_tip[sp][2]:=1;
85   bo_tip[sp][3]:=1;
86   bo_serif[sp][2]:=4;
87   bo_serif[sp][3]:=4;
88   sp:=sp*1;
89 enddef;
90
91 vardef tsu_curve.kanji.radical.kettle_lid =
92   add_proof_box("kanji.radical.kettle_lid");
93   bp[sp]:=(500,700)..(500,160);
94   bq[sp]:=(1.6,1.6)-(1.5,1.5);
95   bo_size[sp]:=125;
96   bo_serif[sp][0]:=10;
97   bp[sp*1]:=(100,160)-(900,160);
98   bq[sp*1]:=(1.7,1.7)-(1.7,1.7);
99   bo_size[sp*1]:=125;
100  bo_serif[sp*1][1]:=9;
101  sp:=sp*2;
102 enddef;

```



```

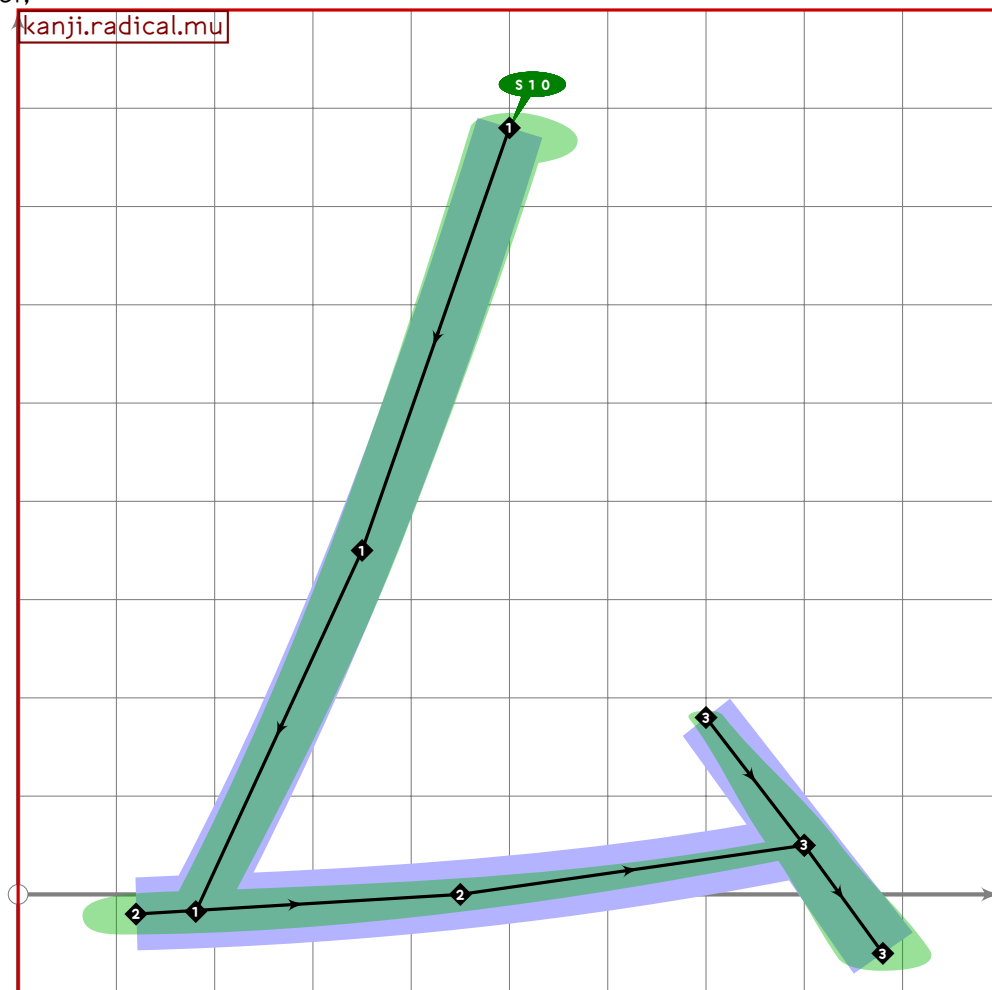
103
104 vardef tsu_curve.kanji.radical.legs =
105   add_proof_box("kanji.radical.legs");
106   bp[sp]:=(370,780){down}..(330,300)..(40;60);
107   bp[sp]:=insert__nodes(bp[sp])(1.3);
108   bq[sp]:=(1.6,1.6)-(1.6,1.6)-(1.6,1.6)-(0.8,0.7);
109   bo_size[sp]:=110;
110   bp[sp*1]:=interpath(mincho,
111     (610,780)-(610,20){down}..(660,0)..
112     (750,0)..(810,30)..tension 2..(850,230),
113     (610,780)-(610,20){down}..(660,-20)..
114     (850,0){curl 0.2}..(810,60)..tension 2..(810,170));
115   bq[sp*1]:=(1.6,1.6)-(1.6,1.6)-(1.9,1.9)-
116     (1.9,1.9)-(1.3,1.3)-(0.8,0.8);
117   bo_size[sp*1]:=110;
118   sp:=sp*2;
119 enddef;
120
121 vardef tsu_curve.kanji.radical.life_minus =
122   add_proof_box("kanji.radical.life_minus");
123   bp[sp]:=(500,780)-(500,0);

```

```

124 bq[sp]:=(1.6,1.6)-(1.6,1.6);
125 bo_serif[sp][0]:=10;
126 bp[sp*1]:=(280,700)..(220,360)..(140,120);
127 bq[sp*1]:=(1.6,1.6)-(1.2,1.2)-(0.8,0.8);
128 bo_serif[sp*1]:=10;
129 bp[sp*2]:=(point 0.9 of bp[sp*1])-(
130   (820,y part point 0.9 of bp[sp*1]));
131 bq[sp*2]:=(1.6,1.6)-(1.6,1.6);
132 bo_serif[sp*2][1]:=9;
133 bp[sp*3]:=(120,0)-(880,0);
134 bq[sp*3]:=(1.6,1.6)-(1.6,1.6);
135 bo_serif[sp*3][1]:=9;
136 sp:=sp+4;
137 enddef;

```



```

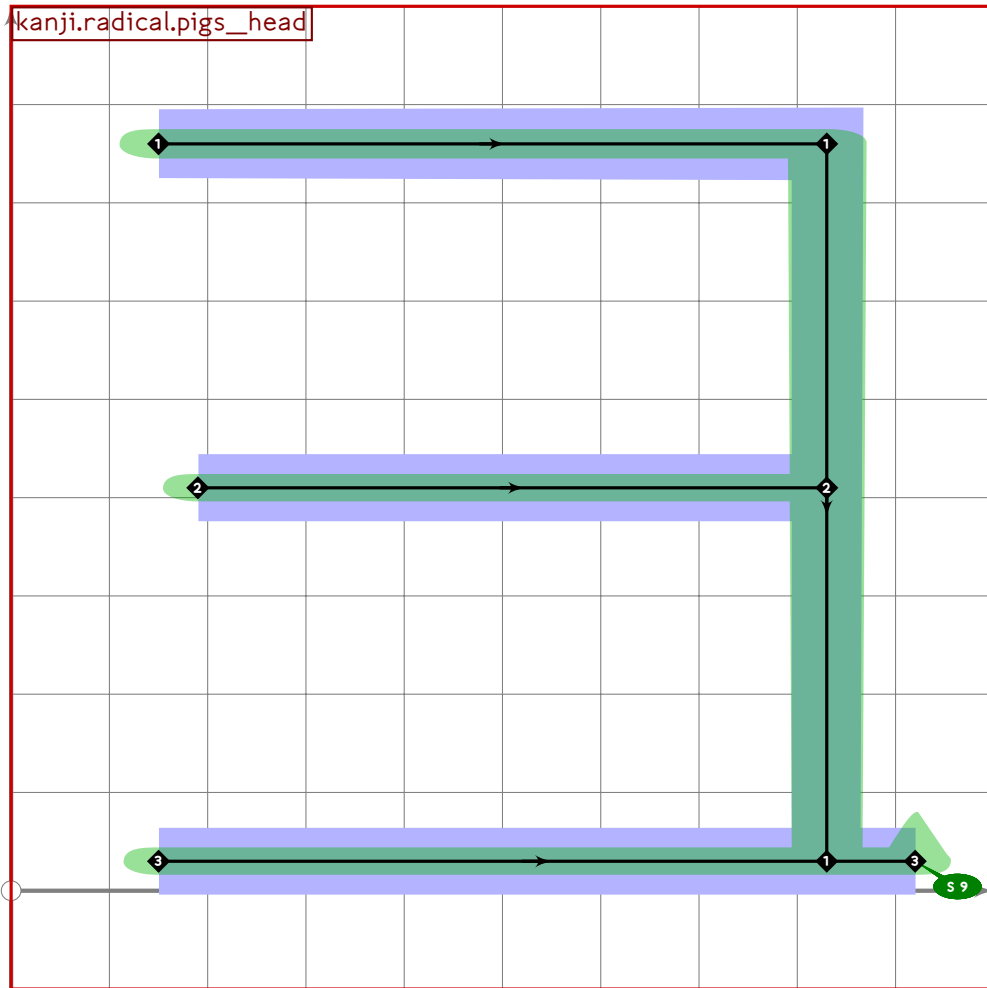
138
139 vardef tsu_curve.kanji.radical.mu =
140   add_proof_box("kanji.radical.mu");
141   bp[sp*1]:=(120,20)..tension 1.2..(450,0)..(800,50);
142   bq[sp*1]:=(2,2)-(1.7,1.7)-(1.2,1.2);
143   bp[sp]:=(500,780)..tension 1.2..(350,350)..(point 0.2 of bp[sp*1]);
144   bq[sp]:=(1.6,1.6)-(1.5,1.5)-(1.3,1.3);

```

```

145 bo_serif[sp][0]:=10;
146 bp[sp*2]:=(700,180)..tension 1.3..(800,50)..(880,-60);
147 bq[sp*2]:=(1,1)-(1.5,1.5)-(1.8,1.8);
148 sp:=sp*3;
149 enddef;
150
151 vardef tsu_curve.kanji.radical.mu_bar =
152   add_proof_box("kanji.radical.mu_bar");
153   bp[sp]:=(140,780)-(860,780);
154   bq[sp]:=(1.6,1.6)-(1.6,1.6);
155   bo_serif[sp][1]:=9;
156   sp:=sp*1;
157   build_kanji.sscale(xscaled 0.92)(tsu_curve.kanji.radical.mu);
158   bo_serif[sp*3][0]:=whatever;
159   bp[sp*1]:=bp[sp*1] rotatedaround (point 1 of bp[sp*1];15);
160 enddef;
161
162 vardef tsu_curve.kanji.radical.pigs_head =
163   add_proof_box("kanji.radical.pigs_head");
164   bp[sp]:=(150,760)-(830,760)-(830,70);
165   bq[sp]:=(1.6,1.6)-(1.6,1.6)-(1.5,1.5);
166   bo_tip[sp][1]:=1;
167   bp[sp*1]:=(190,410)-(830,410);
168   bq[sp*1]:=(1.5,1.5)-(1.5,1.5);
169   bp[sp*2]:=(150,30)-(830,30);
170   bq[sp*2]:=(1.5,1.5)-(1.5,1.5);
171   sp:=sp*3;
172 enddef;
173
174 % name is mine - it has central horizontal line lengthened
175 vardef tsu_curve.kanji.radical.pigs_snout =
176   add_proof_box("kanji.radical.pigs_snout");
177   build_kanji.level(
178     build_kanji.sscale(xscaled 0.87)(tsu_curve.kanji.radical.pigs_head);
179     bp[sp*2]:=(100,410)-(910,410);
180     bo_serif[sp*2][1]:=9;
181   );
182 enddef;
183

```

```

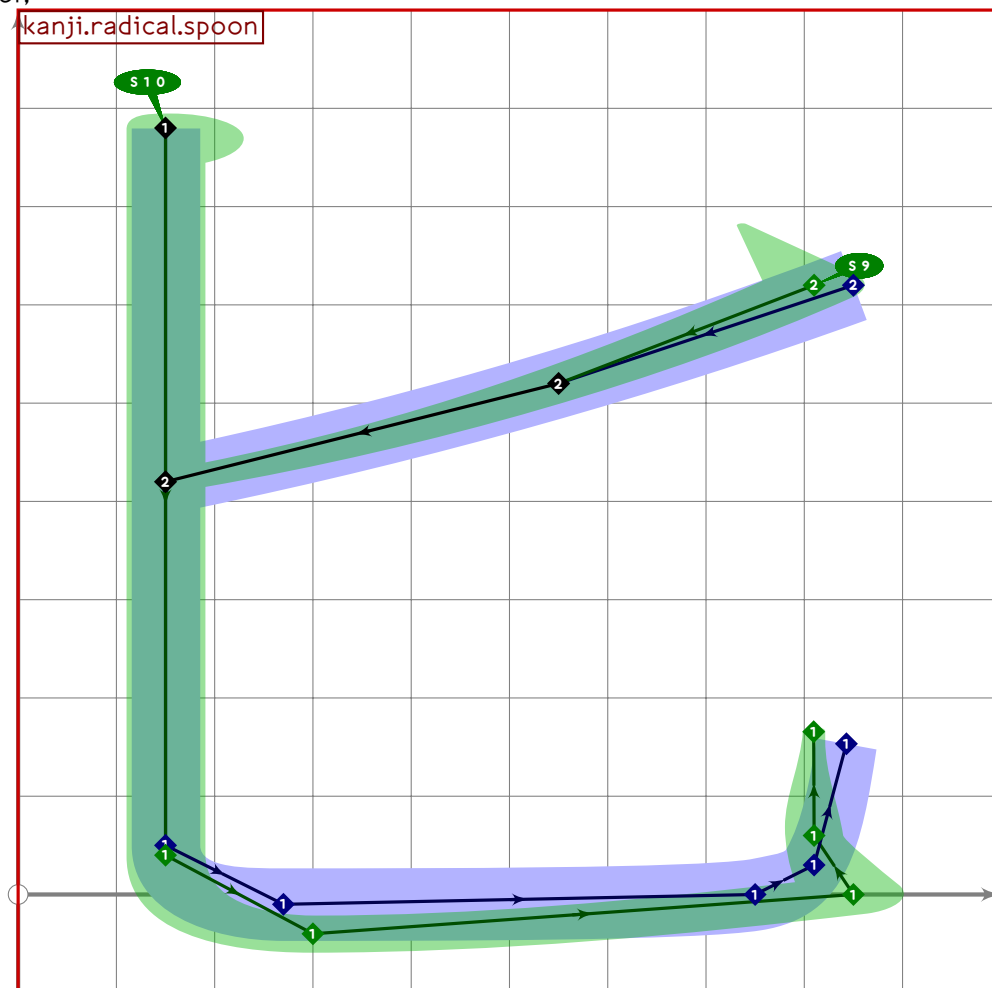
184 % name is mine - it has bottom horizontal line lengthened, vertical clipped
185 vardef tsu_curve.kanji.radical.pigs_tail =
186   add_proof_box("kanji.radical.pigs_tail");
187   tsu_curve.kanji.radical.pigs_head;
188   bp[sp-3]:=(150,760)-(830,760)-(830,30);
189   bp[sp-1]:=(150,30)-(920,30);
190   bo_serif[sp-1][1]:=9;
191 enddef;
192
193 vardef tsu_curve.kanji.radical.silly_hat =
194   add_proof_box("kanji.radical.silly_hat");
195   bp[sp]:=(500,800)..(500,500);
196   bq[sp]:=(1.6,1.6)-(1.5,1.5);
197   bo_size[sp]:=95;
198   bo_serif[sp][0]:=10;
199   bp[sp*1]:=(100,100)..(100+50*mincho,300)..(100+70*mincho,500)-
200     (900,500)..(900-40*mincho,200)..(900-70*mincho,100);
201   bq[sp*1]:=(1.7,1.7)-(1.6,1.6)-(1.4,1.4)-
202     (1.7,1.7)-(1.6,1.6)-(1.4,1.4);
203   bo_size[sp*1]:=95;
204   bo_tip[sp*1][2]:=1;

```

```

205 bo_tip[sp*1][3]:=1;
206 bo_serif[sp*1][3]:=4;
207 sp:=sp*2;
208 enddef;

```



```

209
210 vardef tsu_curve.kanji.radical.spoon =
211   add_proof_box("kanji.radical.spoon");
212   bp[sp]:=interpath(mincho,
213     (150,780)-(150,50){down}..{right}(270,-10)..
214     (750,0)..(810,30)..tension 2..(850,230),
215     (150,780)-(150,40){down}..{right}(300,-40)..
216     (850,0){curl 0.2}..(810,60)..tension 2..(810,170));
217   bq[sp]:=(1.6,1.6)-(1.6,1.6)-(1.9,1.9)-
218     (1.9,1.9)-(1.3,1.3)-(0.8,0.8);
219   bo_serif[sp][0]:=10;
220   bp[sp*1]:=(xpart point infinity of bp[sp],620)..(550,520)..(150,420);
221   bq[sp*1]:=(1.9,1.9)..(1.6,1.6)..(1.3,1.3);
222   bo_serif[sp*1][0]:=9;
223   sp:=sp*2;
224 enddef;
225

```

```

226 vardef tsu_curve.kanji.radical.tent =
227   add_proof_box("kanji.radical.tent");
228   bp[sp]:=(510,800)..(450,700)..(300,540)..(60,360);
229   bq[sp]:=(1.6,1.6)-(1.5,1.5)-(1.3,1.3)-(0.85,0.9);
230   bo_serif[sp][0]:=10;
231   bp[sp*1]:=(point 0.2 of bp[sp])..tension 1.2..(640,620)..(920,400);
232   bq[sp*1]:=(1,1)-(1.3,1.3)-(2.25,0.95);
233   bp[sp*2]:=(330,470)-(660,470);
234   bq[sp*2]:=(1.6,1.6)-(1.6,1.6);
235   bo_serif[sp*2][1]:=9;
236   sp:=sp*3;
237 enddef;
238
239 vardef tsu_curve.kanji.radical.vline =
240   add_proof_box("kanji.radical.vline");
241   bp[sp]:=(500,780)-(500,-20);
242   bq[sp]:=(1.7,1.7)-(1.3,1.3);
243   bo_serif[sp][0]:=10;
244   sp:=sp*1;
245 enddef;

```

toprad.mp

```
1 %
2 % Radicals for top (often special forms of other radicals)
3 % Copyright (C) 2011 Matthew Skala
4 %
5-29 [Standard copyright notice]
30
31 

---


32
33 vardef tsu_curve.kanji.toprad.blue =
34   add_proof_box("kanji.toprad.blue");
35   bp[sp]:=(120,560)-(880,560);
36   bq[sp]:=(1.6,1.6)-(1.6,1.6);
37   bo_serif[sp][1]:=9;
38   bp[sp*1]:=(500,780)-(500,40);
39   bq[sp*1]:=(1.6,1.6)-(1.5,1.5);
40   bo_serif[sp*1][0]:=10;
41   bp[sp*2]:=(160,310)-(840,310);
42   bq[sp*2]:=(1.6,1.6)-(1.6,1.6);
43   bo_serif[sp*2][1]:=9;
44   bp[sp*3]:=(80,40)-(920,40);
45   bq[sp*3]:=(1.6,1.6)-(1.6,1.6);
46   bo_serif[sp*3][1]:=9;
47   sp:=sp*4;
48 enddef;
49
50 vardef tsu_curve.kanji.toprad.cave =
51   add_proof_box("kanji.toprad.cave");
52   build_kanji.level(build_kanji.tb(550,340)
53     (tsu_curve.kanji.radical.silly_hat)
54     (tsu_curve.kanji.radical.legs));
55 enddef;
56
57 vardef tsu_curve.kanji.toprad.grass =
58   add_proof_box("kanji.toprad.grass");
59   bp[sp]:=(350,800)-(350,-30);
60   bq[sp]:=(1.6,1.6)-(1.4,1.4);
61   bo_serif[sp][0]:=10;
62   bp[sp*1]:=(650,800)-(650,-30);
63   bq[sp*1]:=(1.6,1.6)-(1.4,1.4);
64   bo_serif[sp*1][0]:=10;
65   bp[sp*2]:=(100,400)-(900,400);
66   bq[sp*2]:=(1.6,1.6)-(1.6,1.6);
67   bo_serif[sp*2][1]:=9;
68   sp:=sp*3;
69 enddef;
70
```

```

71 vardef tsu_curve.kanji.toprad.sparkle =
72   add_proof_box("kanji.toprad.sparkle");
73   bp[sp]:=(200,600)..tension 1.2..(250,440)..(320,160);
74   bq[sp]:=(1,1)-(1.3,1.3)-(1.9,1.9);
75   bp[sp*1]:=(500,780)-(500,-20);
76   bq[sp*1]:=(1.6,1.6)-(1.5,1.5);
77   bo_serif[sp*1][0]:=10;
78   bp[sp*2]:=(790,620)..tension 1.2..(730,370)..(670,170);
79   bq[sp*2]:=(1.6,1.6)-(1.5,1.5)-(1.3,1.3);
80   bo_serif[sp*2][0]:=10;
81   sp:=sp*3;
82 enddef;

```

gradeone.mp

1 %

2 % Grade One kanji used on more than one page

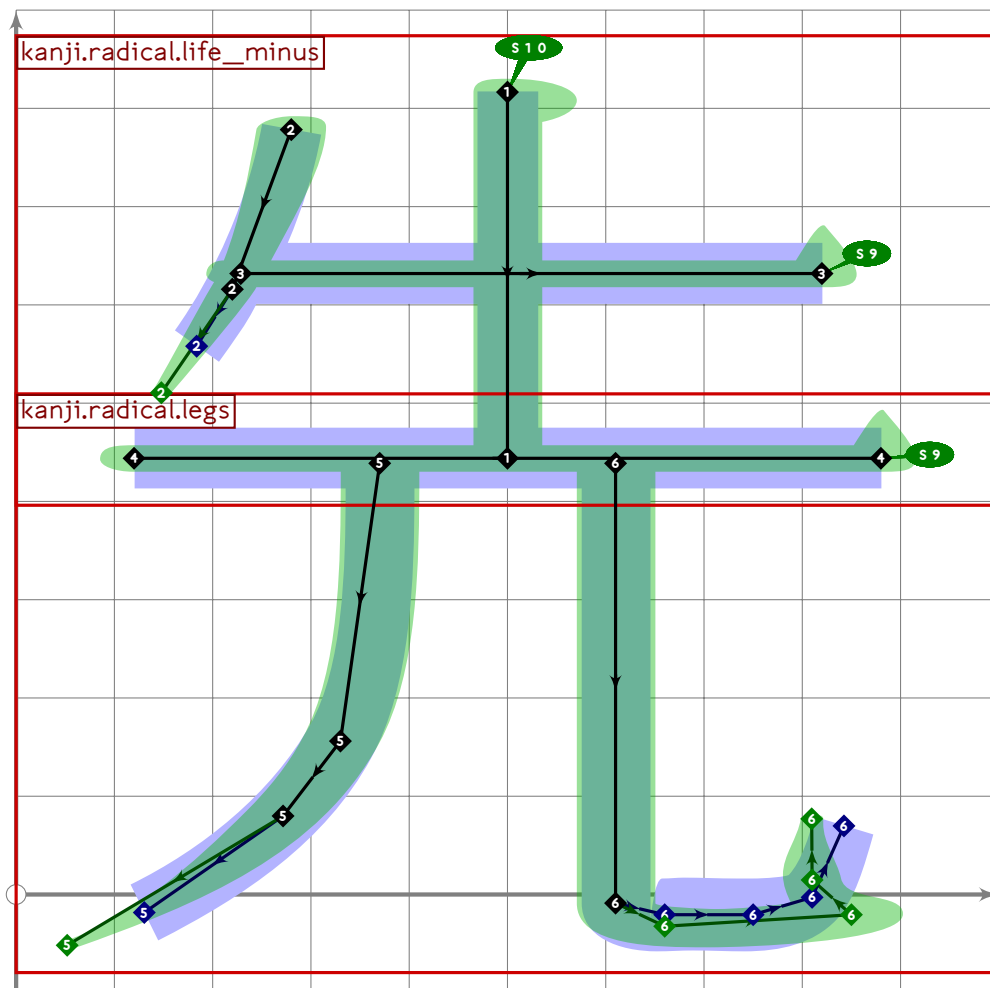
3 % Copyright (C) 2011 Matthew Skala

4 %

5-29 [Standard copyright notice]

30

31



32

```
33 vardef tsu_curve.kanji.grone.ahead =
```

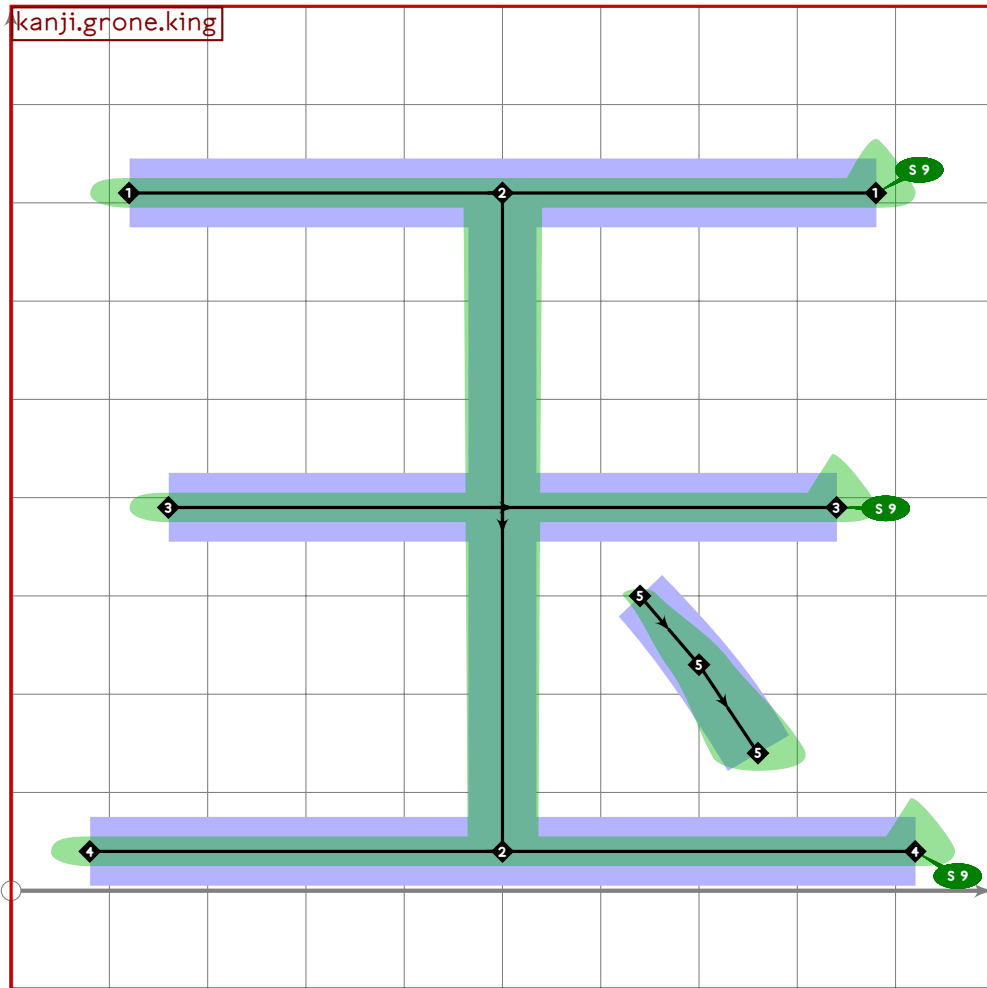
```
34   add_proof_box("kanji.grone.ahead");
```

```
35   build_kanji.tb(450,60)
```

```
36     (tsu_curve.kanji.radical.life_minus)
```

```
37     (tsu_curve.kanji.radical.legs);
```

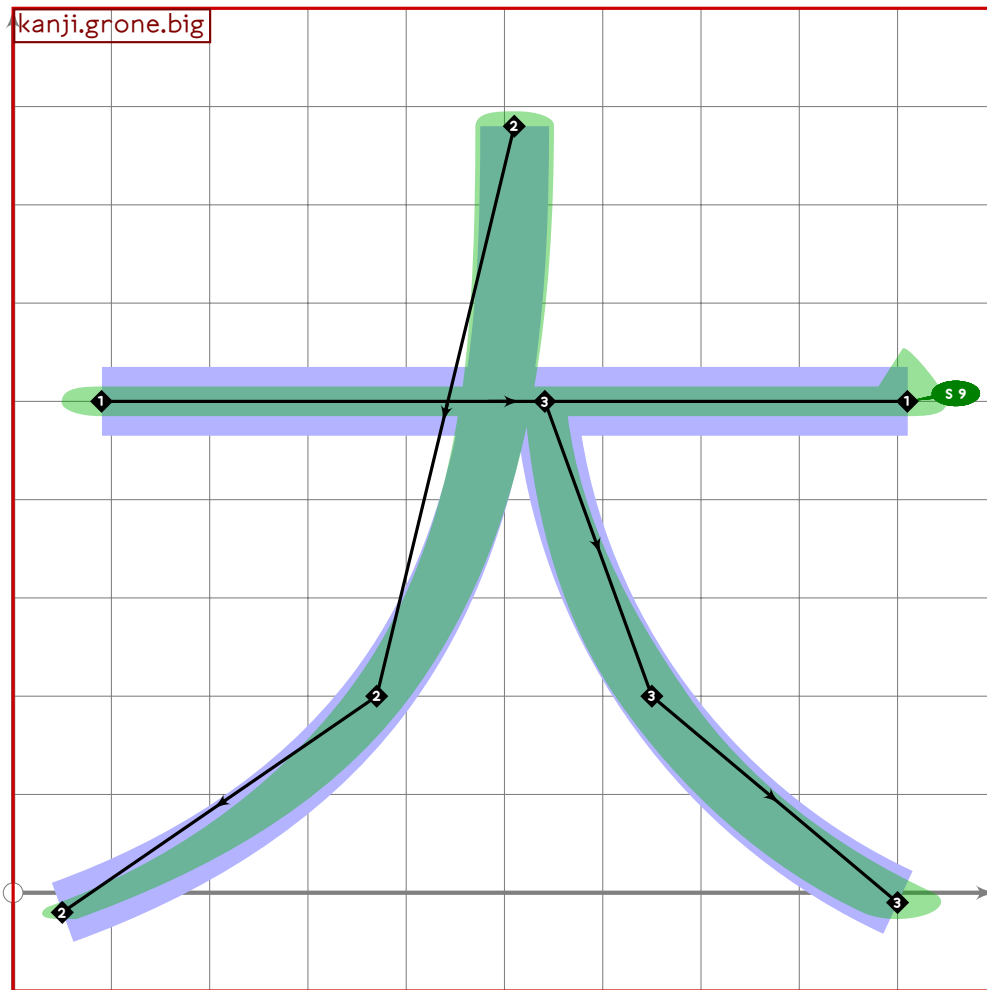
```
38 enddef;
```



```

39
40 vardef tsu_curve.kanji.grone.ball =
41   add_proof_box("kanji.grone.ball");
42   tsu_curve.kanji.grone.king;
43   bp[sp]:=(640,300)..(700,230)..(760,140);
44   bq[sp]:=(1,1)-(1.4,1.4)-(1.8,1.8);
45   sp:=sp^1;
46 enddef;

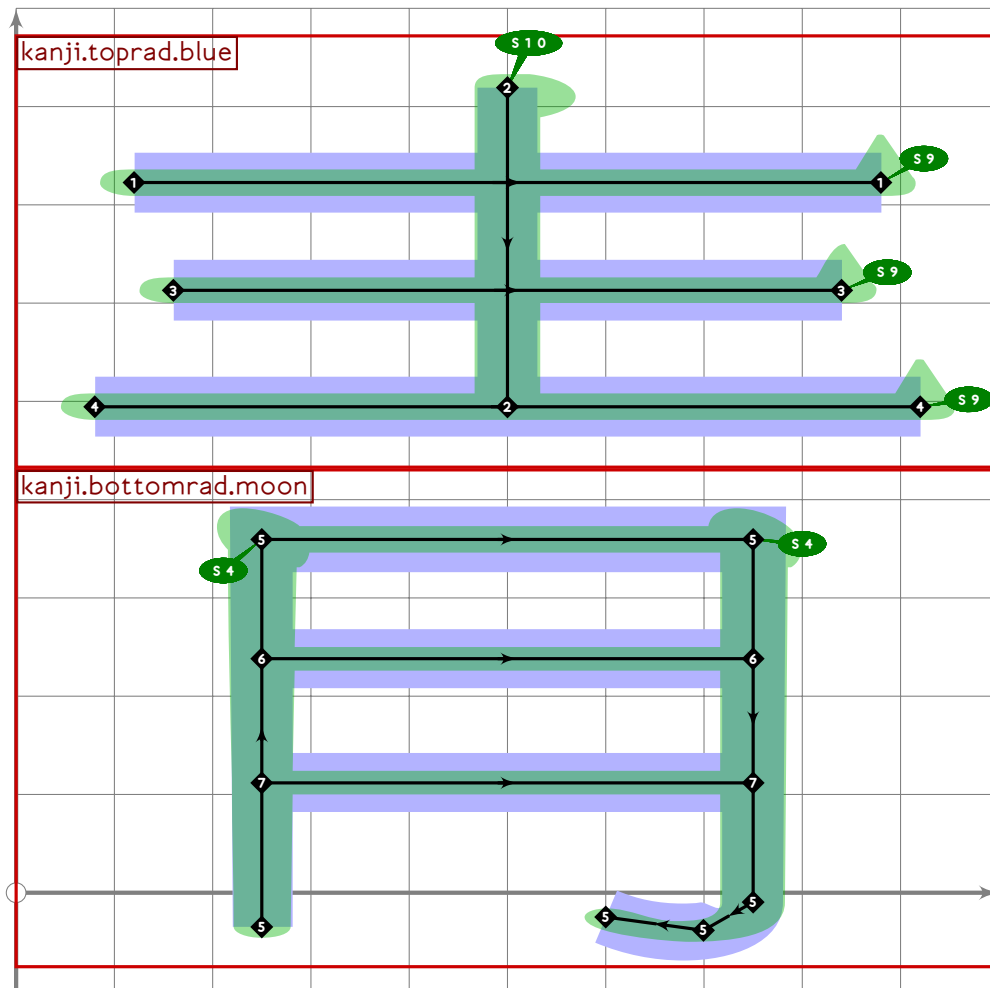
```



```

47
48 vardef tsu_curve.kanji.grone.big =
49   add_proof_box("kanji.grone.big");
50   bp[sp]:=(90,500)-(910,500);
51   bq[sp]:=(1.6,1.6)-(1.6,1.6);
52   bo_serif[sp][1]:=9;
53   bp[sp*1]:=(510,780){down}..(370,200)..{curl 0.5}(50,20);
54   bq[sp*1]:=(1.6,1.6)-(1.4,1.4)-(1.1,1.1);
55   bp[sp*2]:=((bp[sp] intersectionpoint bp[sp*1])*(50,0))..
56     (650,200)..(900,10);
57   bq[sp*2]:=(1.1,1.1)-(1.5,1.5)-(1.7,1.7);
58   sp:=sp*3;
59 enddef;

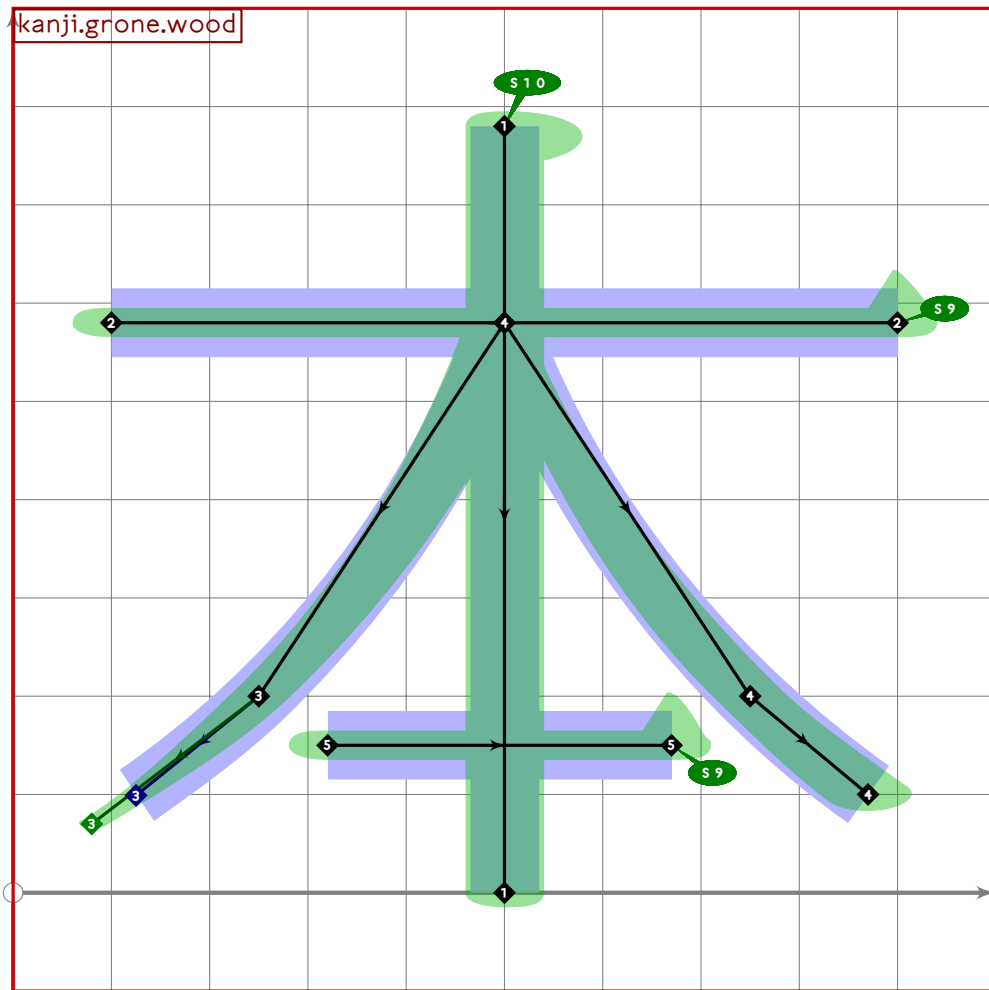
```

```

60
61 vardef tsu_curve.kanji.grone.blue =
62   add_proof_box("kanji.grone.blue");
63   build_kanji.level(build_kanji.tb(430,-50)
64     (tsu_curve.kanji.toprad.blue)
65     (tsu_curve.kanji.bottomrad.moon));
66 enddef;

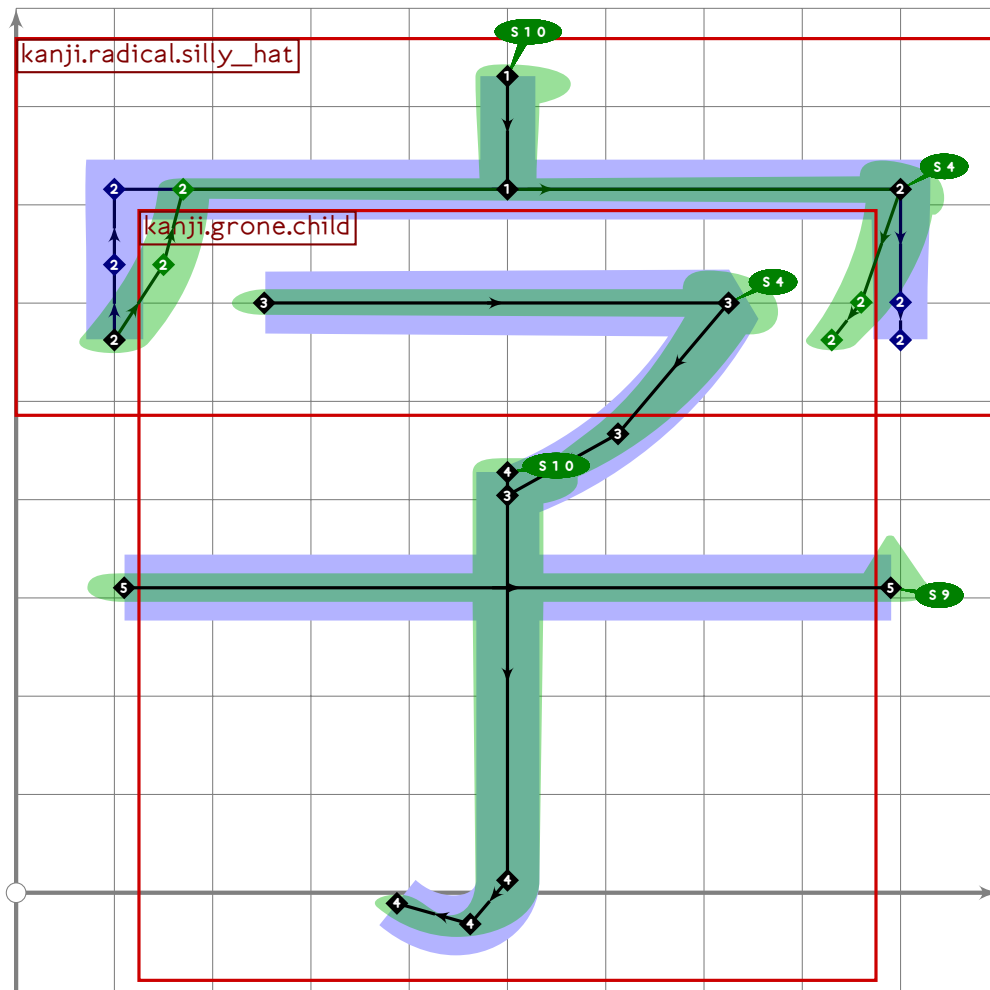
```



```

67
68 vardef tsu_curve.kanji.grone.book =
69   add_proof_box("kanji.grone.book");
70   tsu_curve.kanji.grone.wood;
71   bp[sp]:=(320,150)-(670,150);
72   bq[sp]:=(1.6,1.6)-(1.6,1.6);
73   bo_serif[sp][1]:=9;
74   sp:=sp^1;
75 enddef;

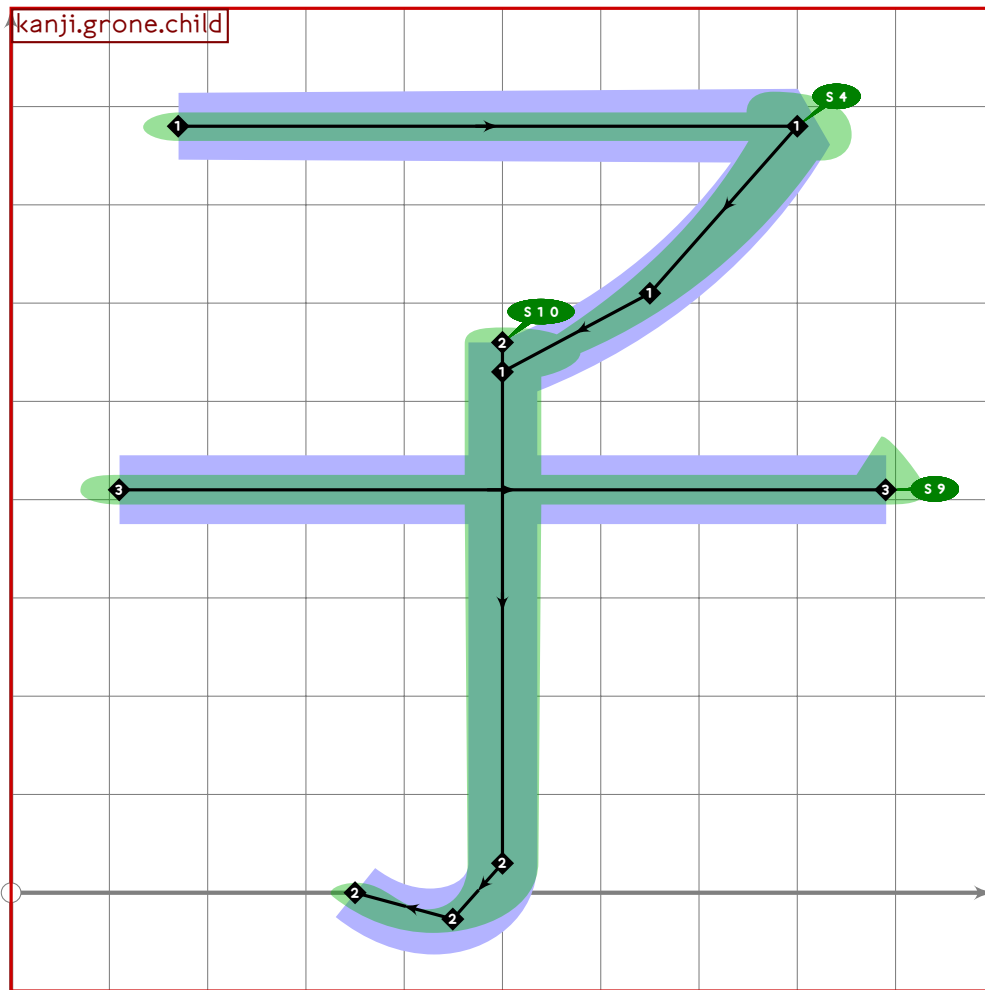
```

```

89
90 vardef tsu_curve.kanji.grone.character =
91   add_proof_box("kanji.grone.character");
92   build_kanji.tb(580,150)
93     (tsu_curve.kanji.radical.silly_hat)
94     (build_kanji.sscale(xscaled 0.75)
95       (tsu_curve.kanji.grone.child;sp:=sp*1);
96       sp:=sp*1);
97 enddef;

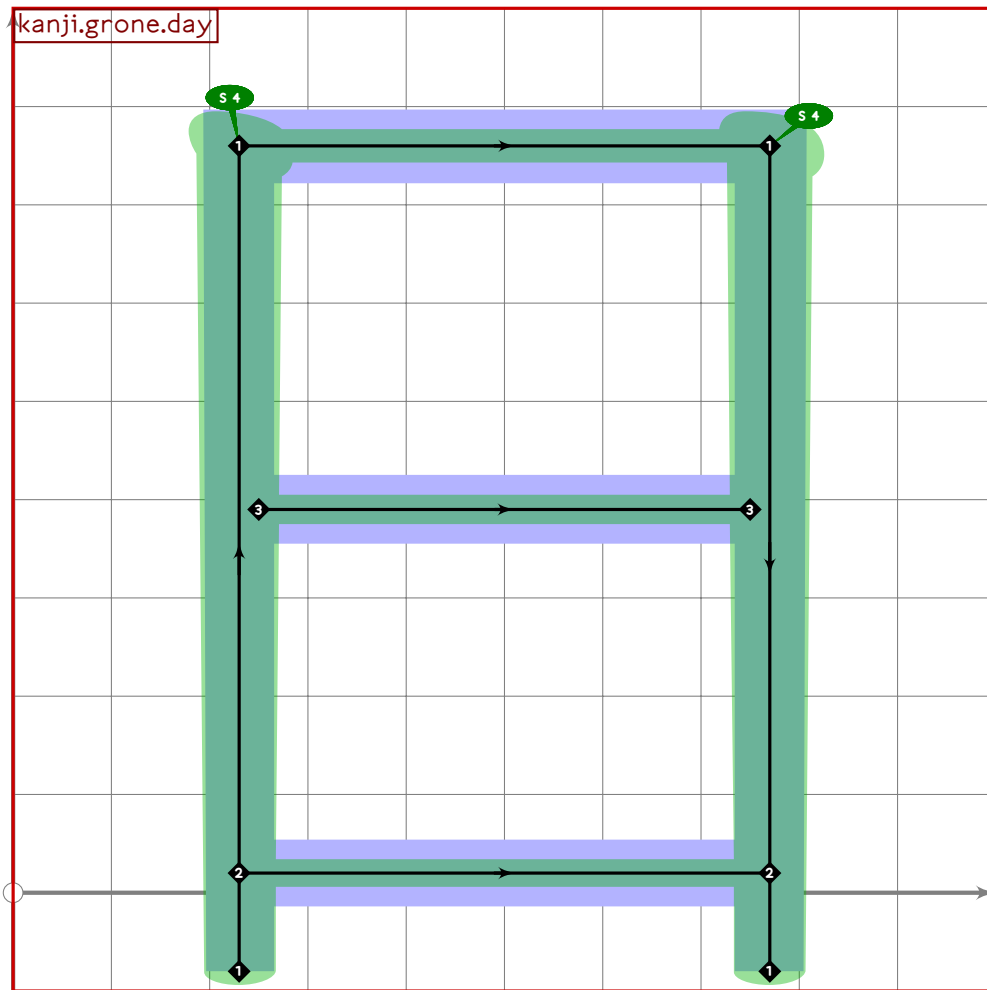
```



```

98
99 vardef tsu_curve.kanji.grone.child =
100   add_proof_box("kanji.grone.child");
101   bp[sp]:=(170,780)-(800,780)..(650,610)..(500,530);
102   bq[sp]:=(1.5,1.5)-(1.6,1.6)-(1.4,1.4)-(1,1);
103   bo_serif[sp][1]:=4;
104   bo_tip[sp][1]:=0;
105   bp[sp*1]:=(500,560);
106   bq[sp*1]:=(1.6,1.6);
107   build_kanji.add_jtail(sp*1);
108   bo_serif[sp*1][0]:=10;
109   bp[sp*2]:=(110,410)-(890,410);
110   bq[sp*2]:=(1.6,1.6)-(1.6,1.6);
111   bo_serif[sp*2][1]:=9;
112   sp:=sp*3;
113 enddef;

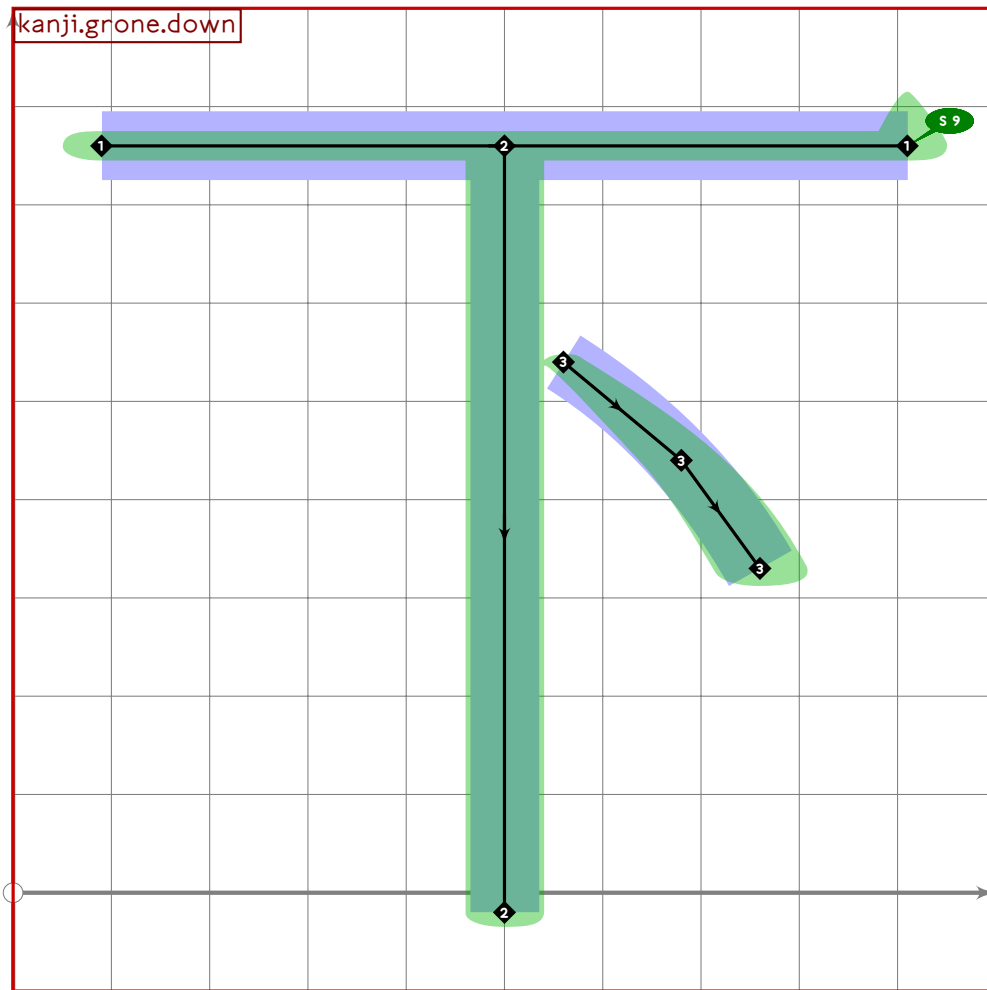
```



```

114
115 vardef tsu_curve.kanji.grone.day =
116   add_proof_box("kanji.grone.day");
117   build_kanji_box((230,760),(770,20));
118   bp[sp]:=(250,390)-(750,390);
119   bq[sp]:=(1.6,1.6)-(1.6,1.6);
120   sp:=sp^1;
121 enddef;

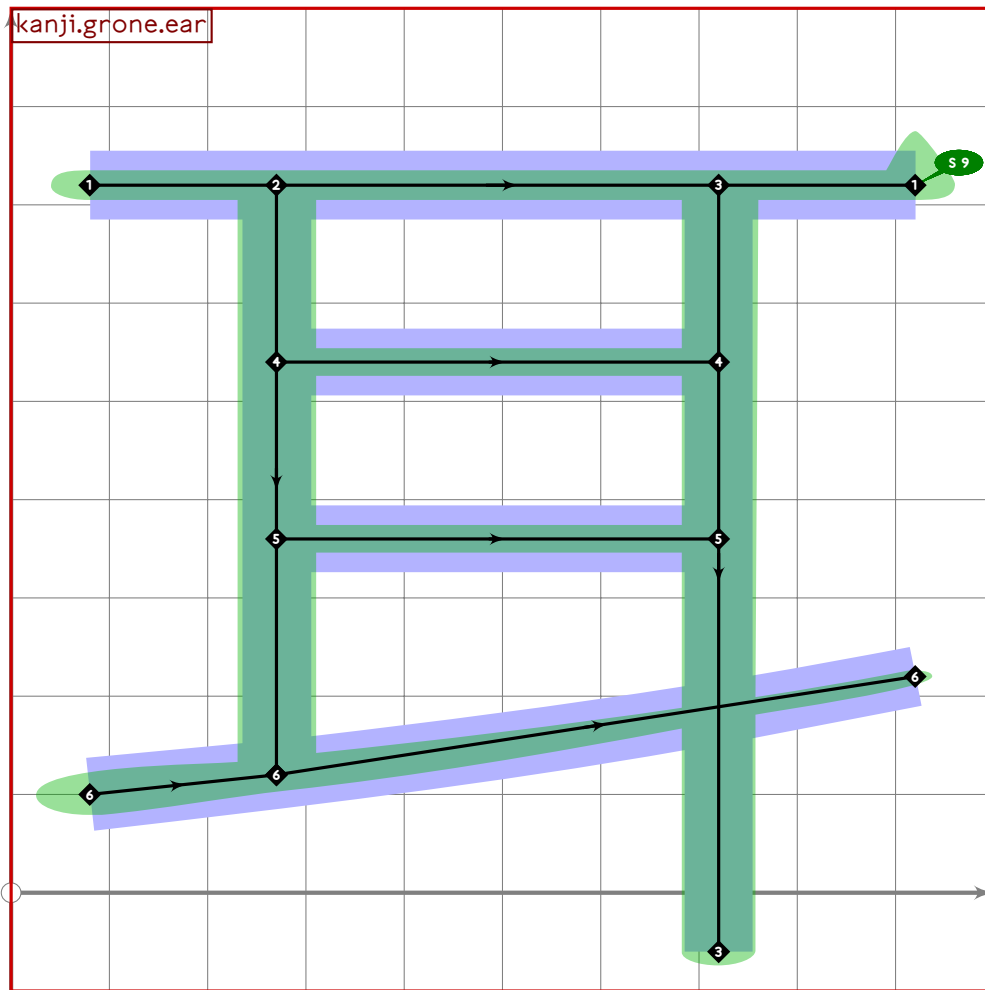
```



```

122
123 vardef tsu_curve.kanji.grone.down =
124   add_proof_box("kanji.grone.down");
125   bp[sp]:=(90,760)-(910,760);
126   bq[sp]:=(1.6,1.6)-(1.6,1.6);
127   bo_serif[sp][1]:=9;
128   bp[sp*1]:=(500,760)-(500,20);
129   bq[sp*1]:=(1.6,1.6)-(1.6,1.6);
130   bp[sp*2]:=(560,540)..(680,440)..(760,330);
131   bq[sp*2]:=(1.1,1.1)-(1.6,1.6)-(1.8,1.8);
132   sp:=sp*3;
133 enddef;

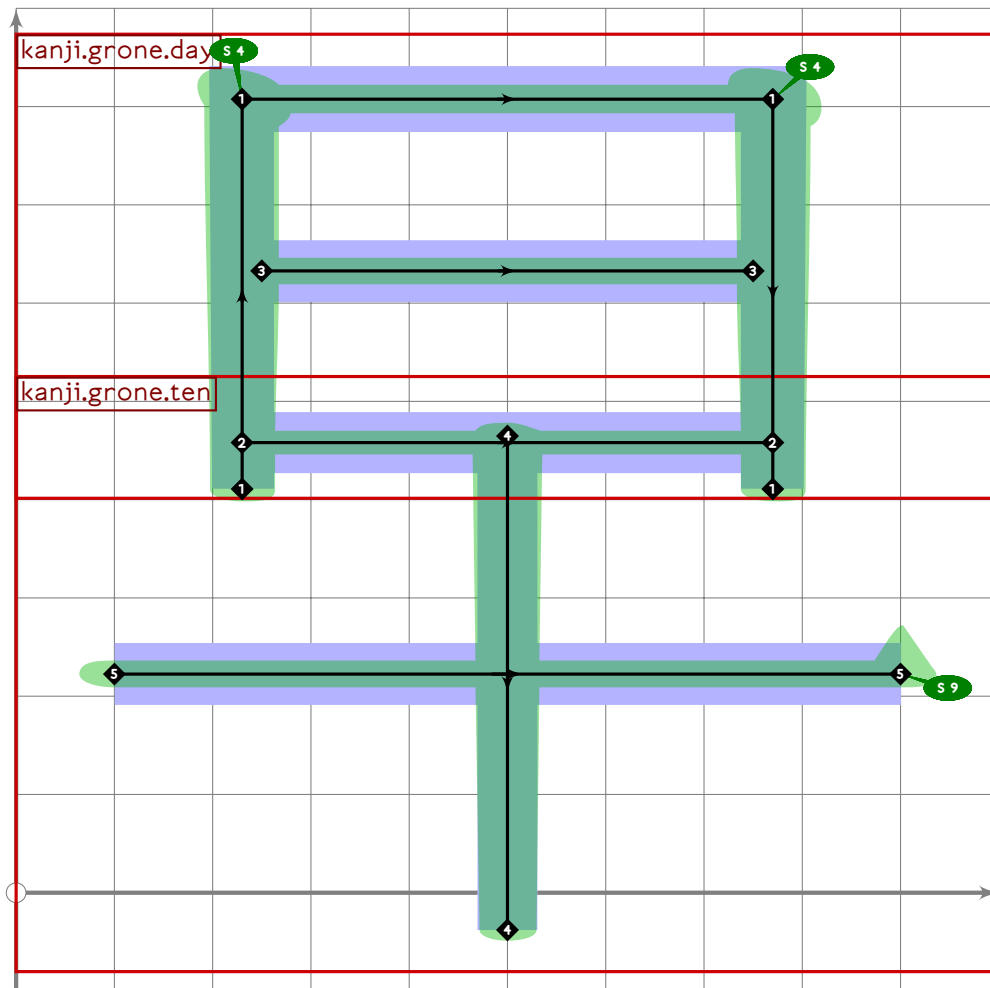
```



```

134
135 vardef tsu_curve.kanji.grone.ear =
136   add_proof_box("kanji.grone.ear");
137   bp[sp]:=(80,720)-(920,720);
138   bq[sp]:=(1.6,1.6)-(1.6,1.6);
139   bo_serif[sp][1]:=9;
140   bp[sp*1]:=(270,720)-(270,120);
141   bq[sp*1]:=(1.6,1.6)-(1.6,1.6);
142   bp[sp*2]:=(720,720)-(720,60);
143   bq[sp*2]:=(1.6,1.6)-(1.5,1.5);
144   bp[sp*3]:=(270,540)-(720,540);
145   bq[sp*3]:=(1.5,1.5)-(1.5,1.5);
146   bp[sp*4]:=(270,360)-(720,360);
147   bq[sp*4]:=(1.5,1.5)-(1.5,1.5);
148   bp[sp*5]:=(80,100)..tension 1.3..(270,120)..(920,220);
149   bq[sp*5]:=(2,2)-(1.7,1.7)-(1,1);
150   sp:=sp*6;
151 enddef;

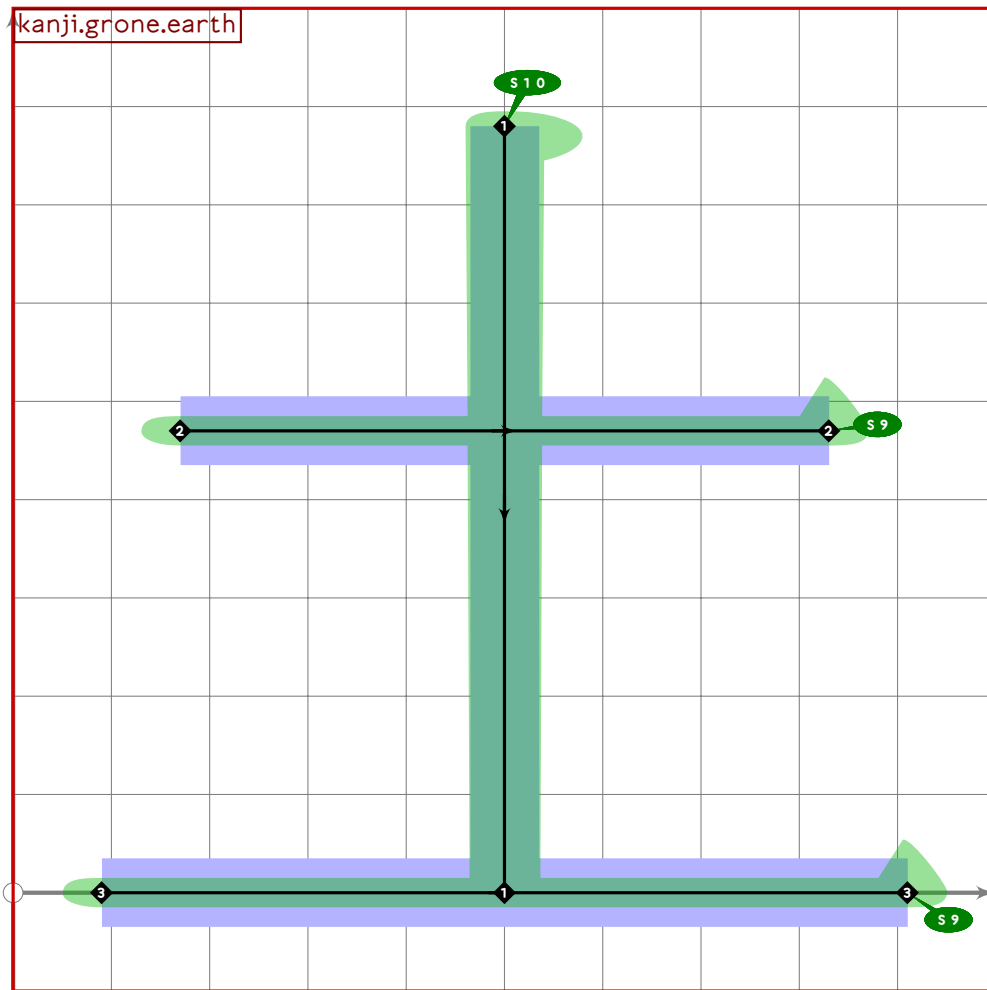
```

```

152
153 vardef tsu_curve.kanji.grone.early =
154   add_proof_box("kanji.grone.early");
155   build_kanji.level(build_kanji.tb(460,70)
156     (tsu_curve.kanji.grone.day)
157     (tsu_curve.kanji.grone.ten));
158   bo_serif[sp-2][0]:=whatever;
159 enddef;

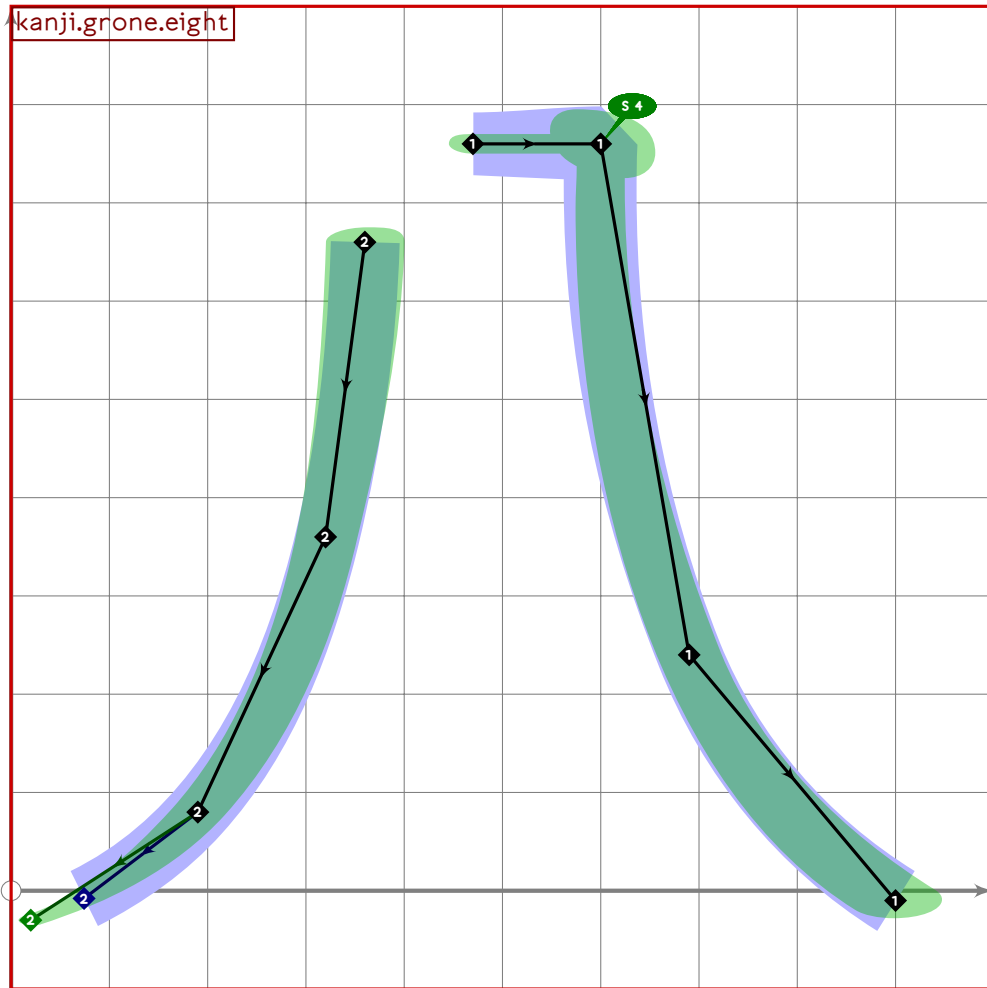
```



```

160
161 vardef tsu_curve.kanji.grone.earth =
162   add_proof_box("kanji.grone.earth");
163   bp[sp]:=(500,780)-(500,0);
164   bq[sp]:=(1.6,1.6)-(1.5,1.5);
165   bo_serif[sp][0]:=10;
166   bp[sp*1]:=(170,470)-(830,470);
167   bq[sp*1]:=(1.6,1.6)-(1.6,1.6);
168   bo_serif[sp*1][1]:=9;
169   bp[sp*2]:=(90,0)-(910,0);
170   bq[sp*2]:=(1.6,1.6)-(1.6,1.6);
171   bo_serif[sp*2][1]:=9;
172   sp:=sp*3;
173 enddef;

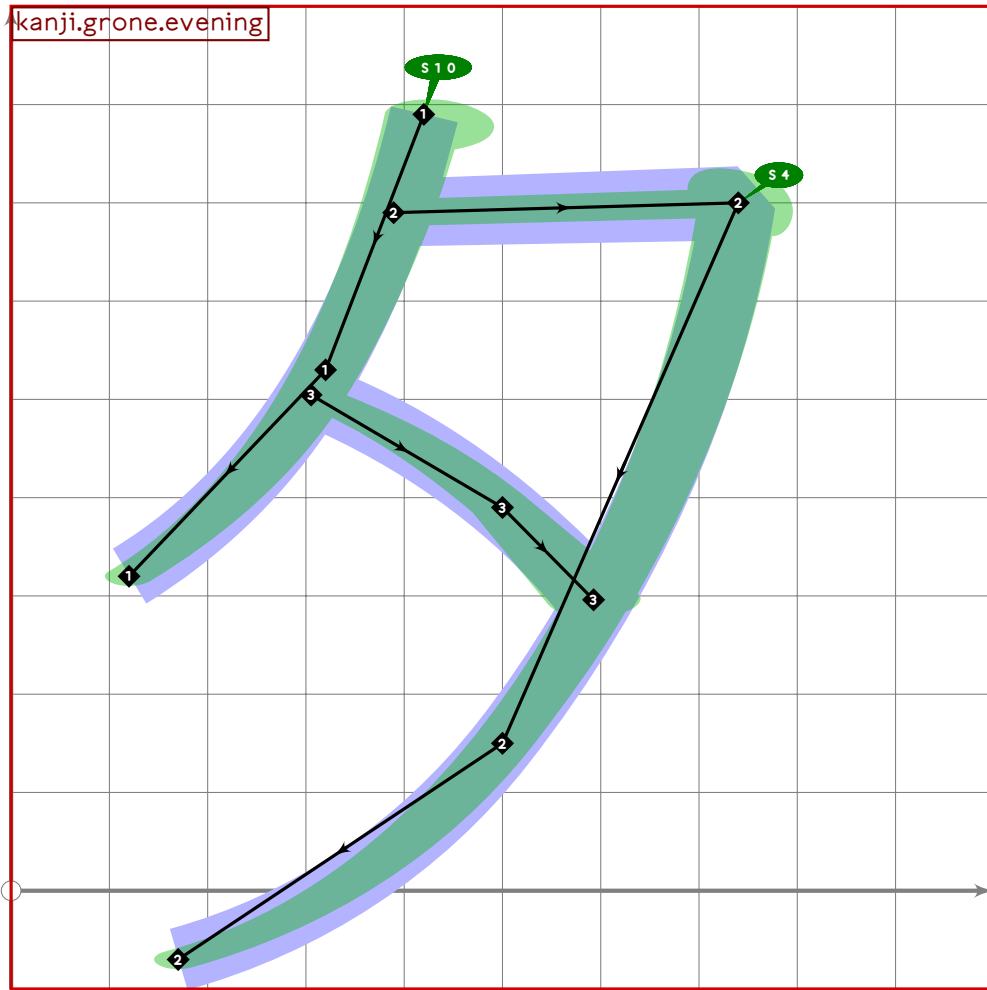
```



```

174
175 vardef tsu_curve.kanji.grone.eight =
176   add_proof_box("kanji.grone.eight");
177   bp[sp]:=(470,760)-(600,760)..tension 1.3..(690,240)..(900,10);
178   bq[sp]:=(1.2,1.2)-(1.2,1.2)-(1.4,1.4)-(1.8,1.8);
179   bo_tip[sp][1]:=0;
180   bo_serif[sp][1]:=4;
181   bp[sp*1]:=(360,660)..(320,360)..(190,80)..(20,-30);
182   bq[sp*1]:=(1.6,1.6)-(1.4,1.4)-(1.3,1.3)-(0.88,0.88);
183   sp:=sp*2;
184 enddef;

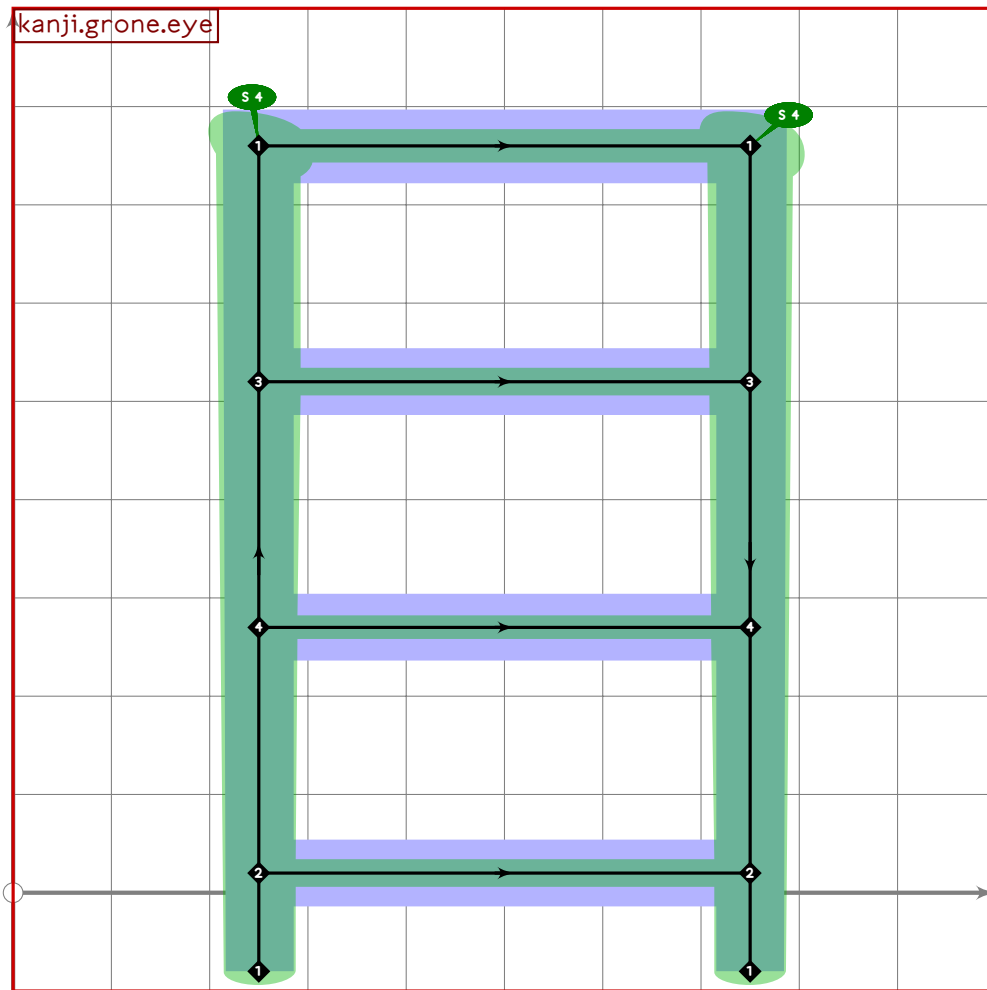
```



```

185
186 vardef tsu_curve.kanji.grone.evening =
187   add_proof_box("kanji.grone.evening");
188   bp[sp]:=(420,790)..tension 1.2..(320,530)..(120,320);
189   bq[sp]:=(1.6,1.6)-(1.5,1.5)-(1.2,1.2);
190   bo_serif[sp][0]:=10;
191   bp[sp*1]:=(bp[sp] intersectionpoint ((-infinity,690)-(-infinity,690)))-
192     (740,700)..tension 1.2..(500,150)..(170,-70);
193   bq[sp*1]:=(1.5,1.5)-(1.6,1.6)-(1.4,1.4)-(1.2,1.2);
194   bo_tip[sp*1][1]:=0;
195   bo_serif[sp*1][1]:=4;
196   bp[sp*2]:=(point 1.1 of bp[sp])..(500,390)..(point 1.7 of bp[sp*1]);
197   bq[sp*2]:=(1.2,1.2)-(1.4,1.4)-(1.8,1.8);
198   sp:=sp*3;
199 enddef;

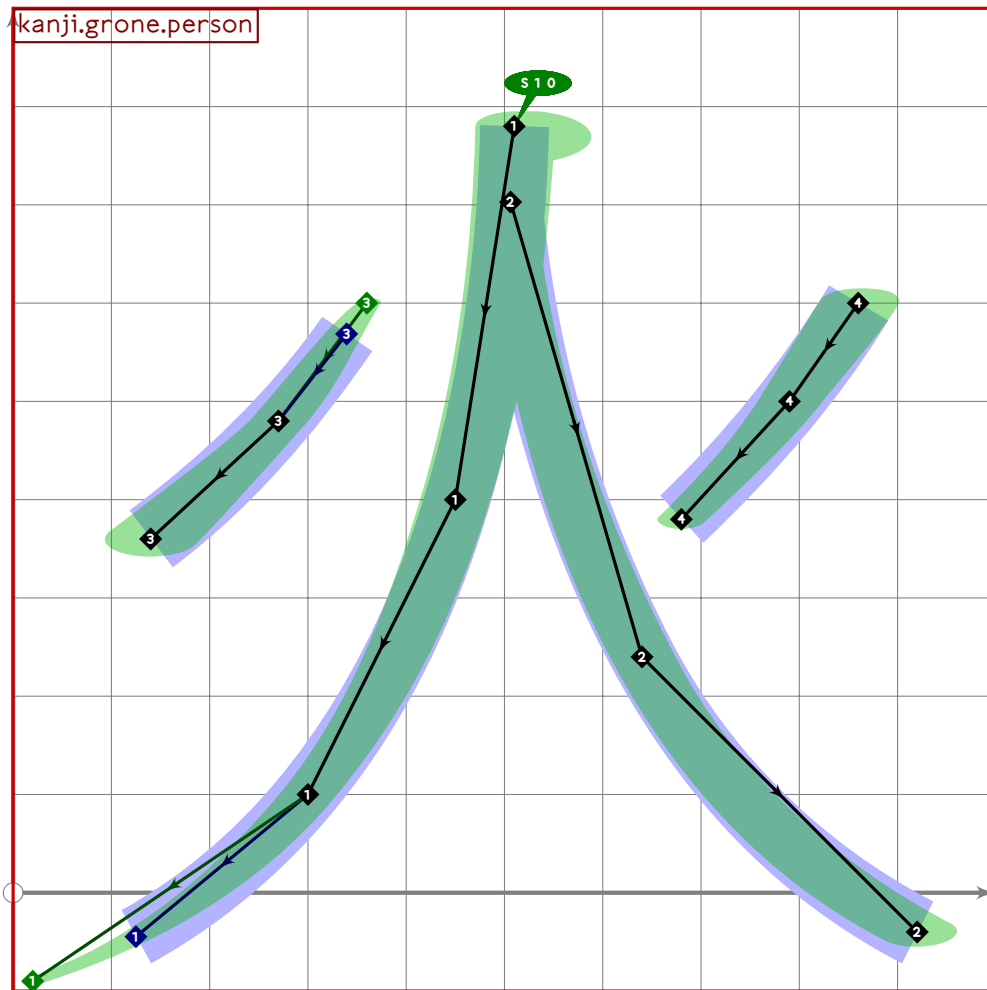
```



```

200
201 vardef tsu_curve.kanji.grone.eye =
202   add_proof_box("kanji.grone.eye");
203   build_kanji_box((250,760),(750,20));
204   bp[sp]:=(250,520)-(750,520);
205   bq[sp]:=(1.5,1.5)-(1.5,1.5);
206   bp[sp*1]:=(250,270)-(750,270);
207   bq[sp*1]:=(1.4,1.4)-(1.4,1.4);
208   sp:=sp*2;
209 enddef;

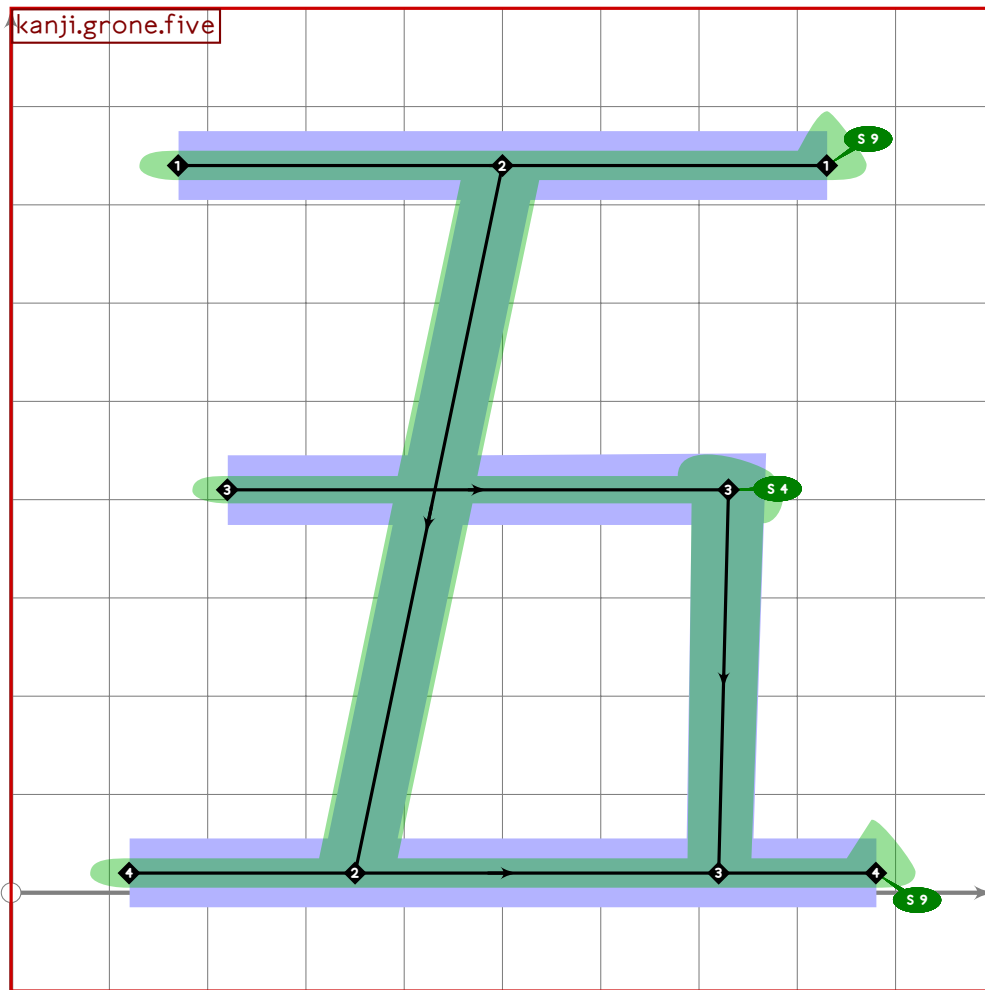
```



```

210
211 vardef tsu_curve.kanji.grone.fire =
212   add_proof_box("kanji.grone.fire");
213   tsu_curve.kanji.grone.person;
214   bp[sp]:=(360,600)..(270,480)..(140,360);
215   bq[sp]:=(0.9,0.9)-(1.3,1.3)-(1.8,1.8);
216   bp[sp*1]:=(860,600)..(790,500)..(680,380);
217   bq[sp*1]:=(1.6,1.6)-(1.4,1.4)-(1.2,1.2);
218   bo_serif[sp*1]:=10;
219   sp:=sp*2;
220 enddef;

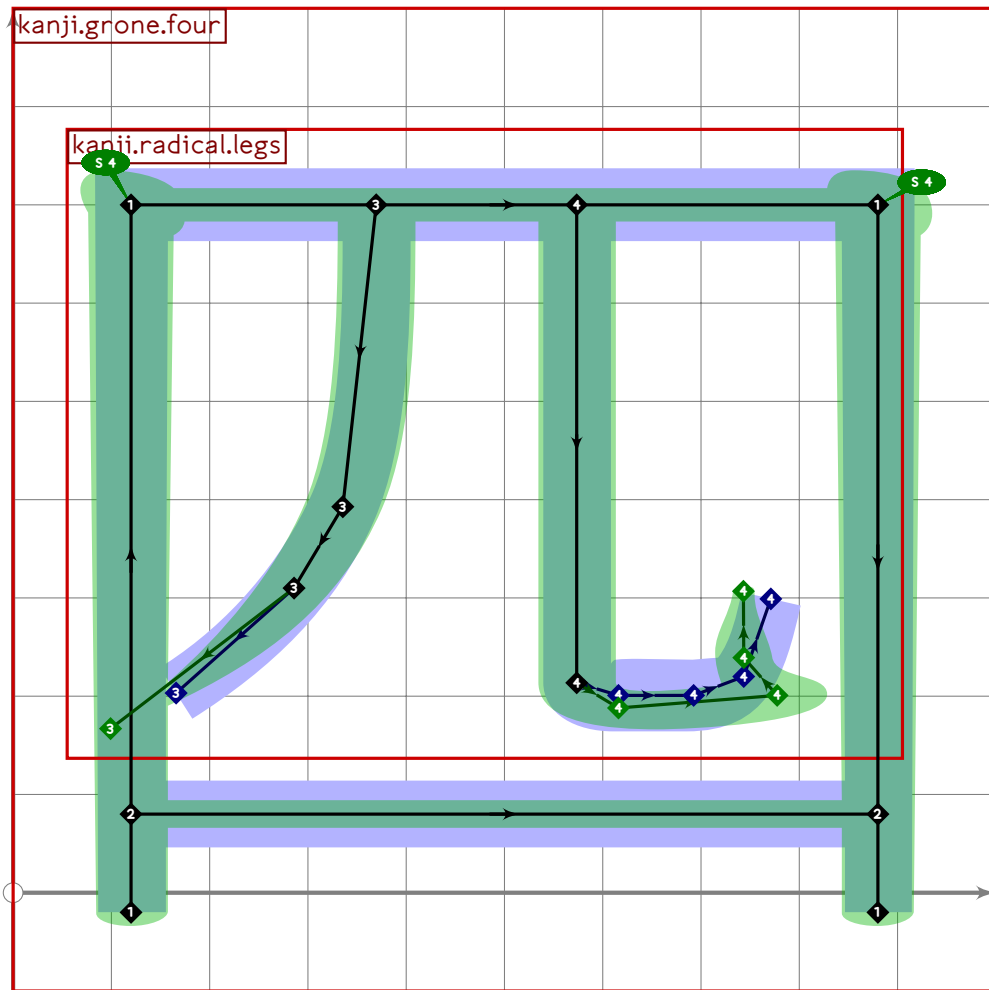
```



```

221
222 vardef tsu_curve.kanji.grone.five =
223   add_proof_box("kanji.grone.five");
224   bp[sp]:=(170,740)-(830,740);
225   bq[sp]:=(1.6,1.6)-(1.6,1.6);
226   bo_serif[sp][1]:=9;
227   bp[sp*1]:=(500,740)-(350,20);
228   bq[sp*1]:=(1.6,1.6)-(1.6,1.6);
229   bp[sp*2]:=(220,410)-(730,410)-(720,20);
230   bq[sp*2]:=(1.5,1.5)-(1.5,1.5)-(1.4,1.4);
231   bo_serif[sp*2][1]:=4;
232   bo_tip[sp*2][1]:=1;
233   bp[sp*3]:=(120,20)-(880,20);
234   bq[sp*3]:=(1.6,1.6)-(1.6,1.6);
235   bo_serif[sp*3][1]:=9;
236   sp:=sp*4;
237 enddef;

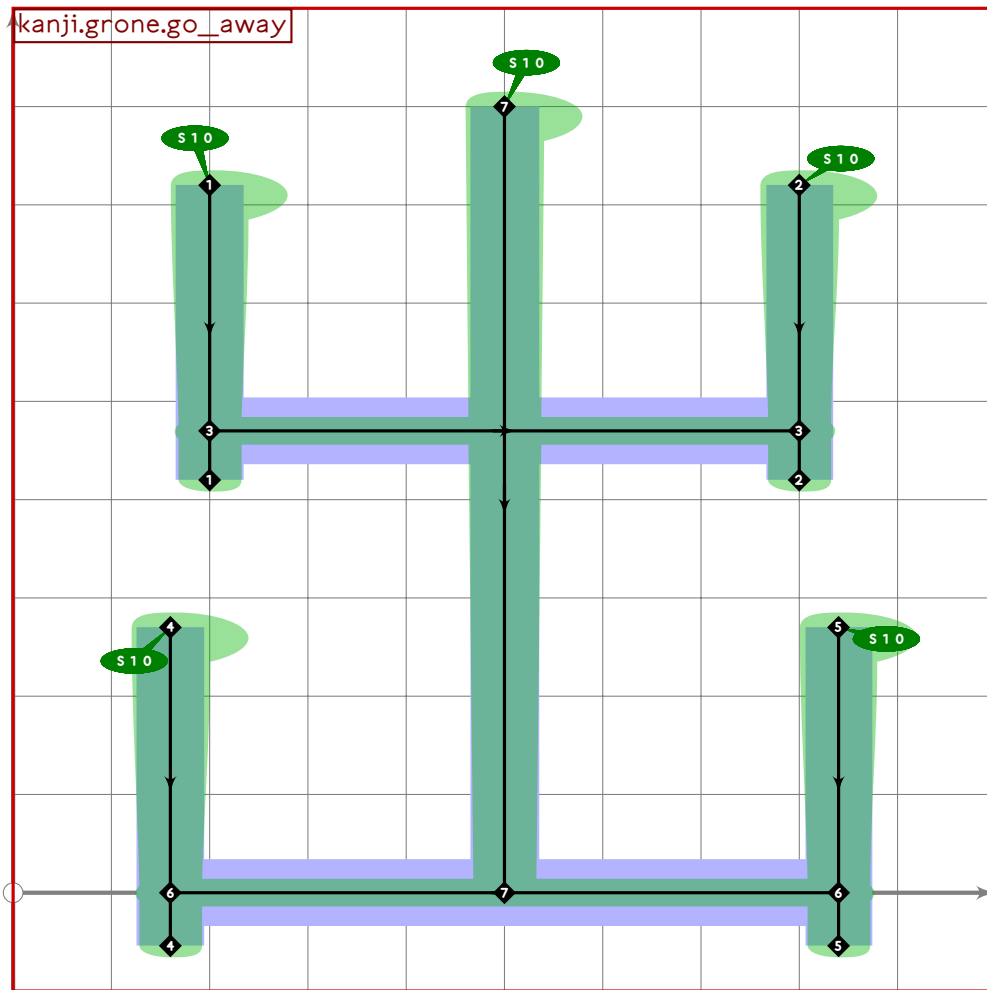
```



```

238
239 vardef tsu_curve.kanji.grone.four =
240   add_proof_box("kanji.grone.four");
241   build_kanji.box((120,700),(880,80));
242   tsu_xform
243     (identity shifted (-500,780) xyscaled (0.85,0.64) shifted (480,700))
244     (tsu_curve.kanji.radical.legs);
245 enddef;

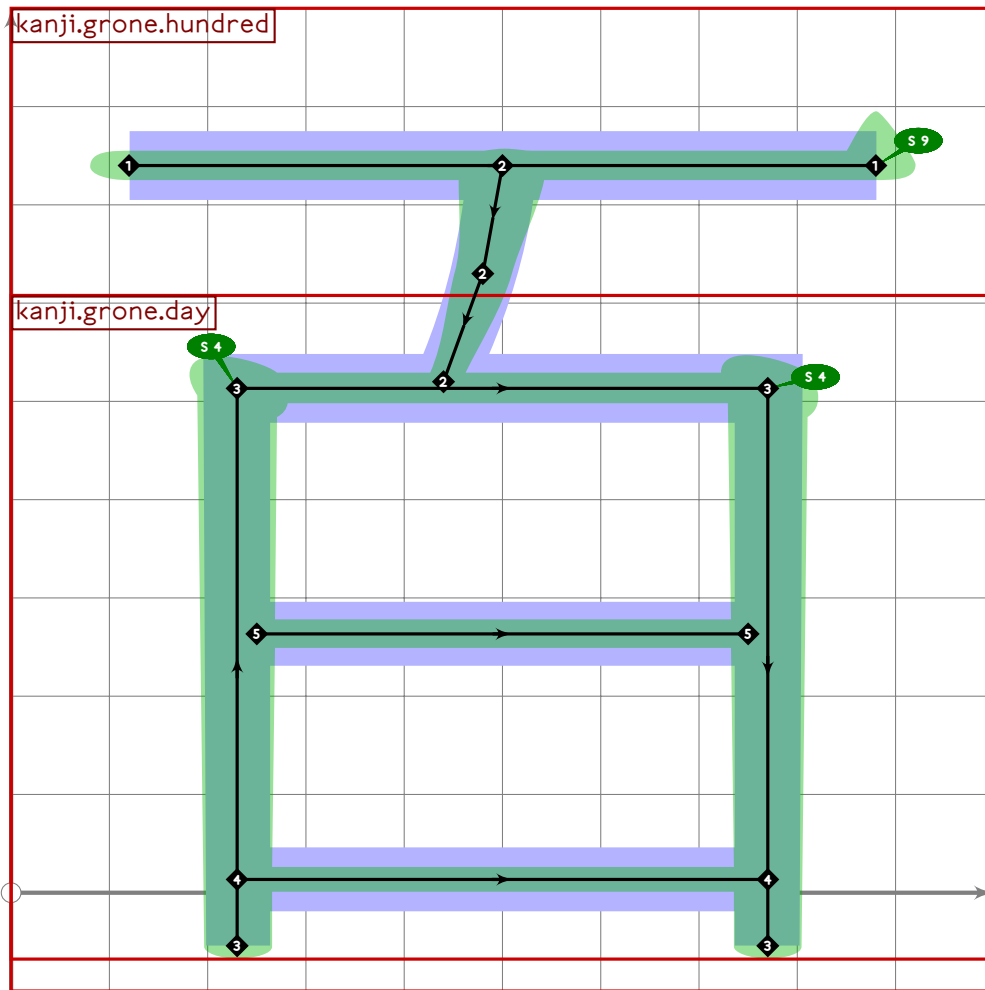
```

```

246
247 vardef tsu_curve.kanji.grone.go_away =
248   add_proof_box("kanji.grone.go_away");
249   build_kanji.cup((200,720),(800,470));
250   build_kanji.cup((160,270),(840,0));
251   bp[sp]:=(500,800)-(500,0);
252   bq[sp]:=(1.6,1.6)-(1.4,1.4);
253   bo_serif[sp][0]:=10;
254   sp:=sp*1;
255 enddef;

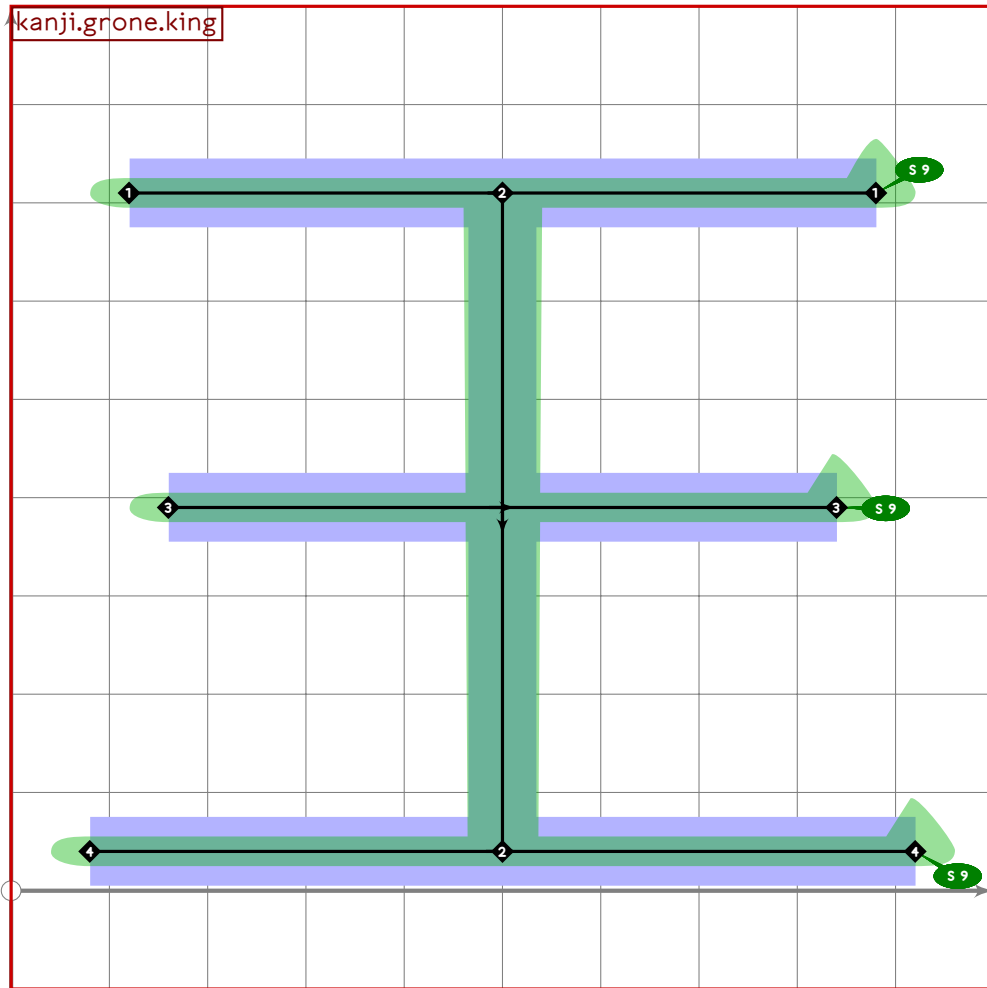
```



```

256
257 vardef tsu_curve.kanji.grone.hundred =
258   add_proof_box("kanji.grone.hundred");
259   bp[sp]:=(120,740)-(880,740);
260   bq[sp]:=(1.6,1.6)-(1.6,1.6);
261   bo_serif[sp][1]:=9;
262   bp[sp*1]:=(500,740)..(480,630)..(440,520);
263   bq[sp*1]:=(1.7,1.7)-(1.3,1.3)-(1,1);
264   sp:=sp*2;
265   tsu_xform(identity yscaled (520/770))(tsu_curve.kanji.grone.day);
266 enddef;

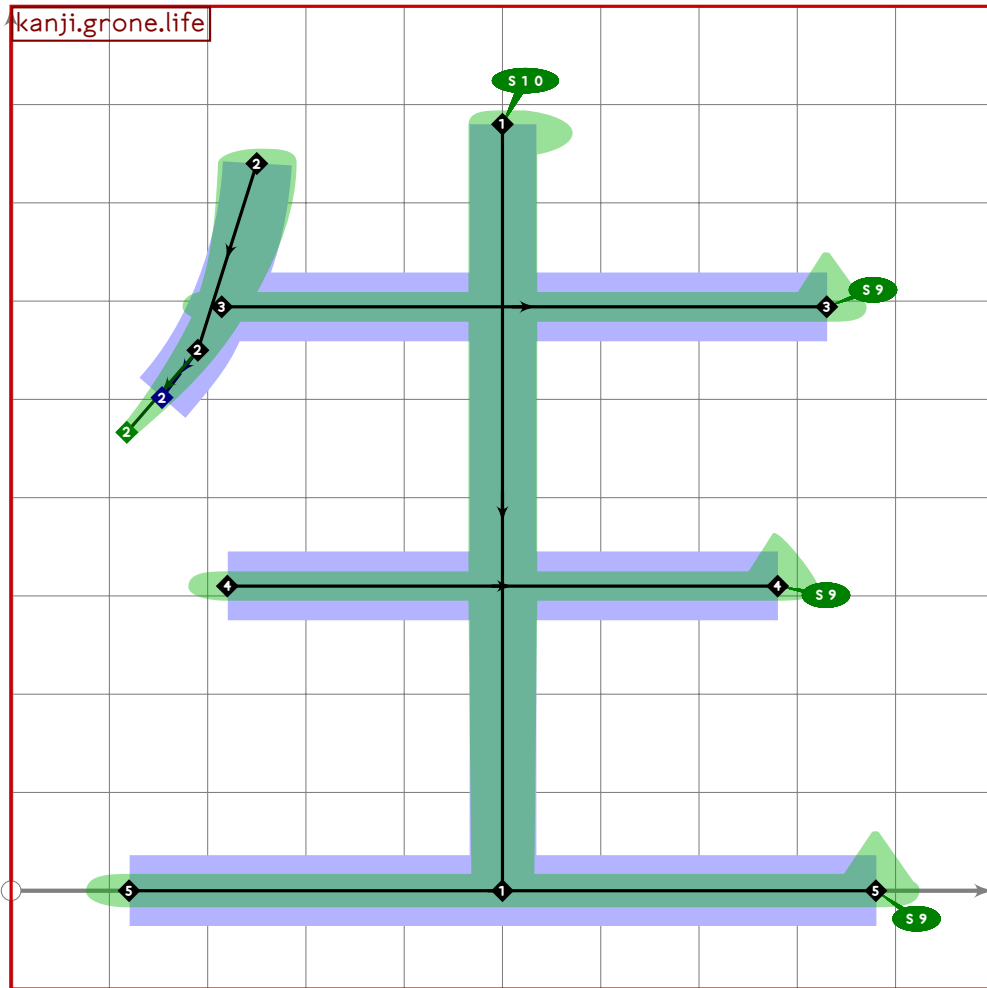
```



```

267
268 vardef tsu_curve.kanji.grone.king =
269   add_proof_box("kanji.grone.king");
270   bp[sp]:=(120,710)-(880,710);
271   bq[sp]:=(1.6,1.6)-(1.6,1.6);
272   bo_serif[sp][1]:=9;
273   bp[sp*1]:=(500,710)-(500,40);
274   bq[sp*1]:=(1.6,1.6)-(1.5,1.5);
275   bp[sp*2]:=(160,390)-(840,390);
276   bq[sp*2]:=(1.6,1.6)-(1.6,1.6);
277   bo_serif[sp*2][1]:=9;
278   bp[sp*3]:=(80,40)-(920,40);
279   bq[sp*3]:=(1.6,1.6)-(1.6,1.6);
280   bo_serif[sp*3][1]:=9;
281   sp:=sp*4;
282 enddef;

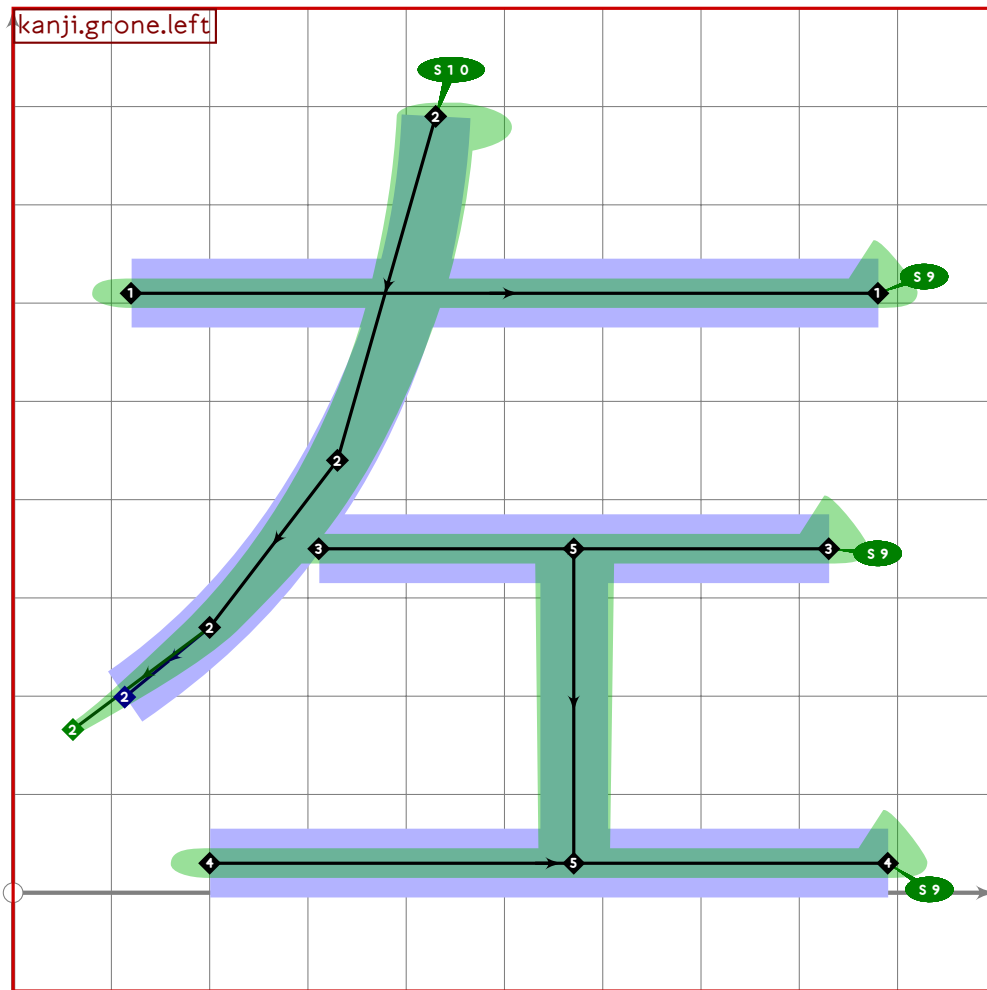
```



```

283
284 vardef tsu_curve.kanji.grone.life =
285   add_proof_box("kanji.grone.life");
286   bp[sp]:=(500,780)-(500,0);
287   bq[sp]:=(1.5,1.5)-(1.4,1.4);
288   bo_serif[sp][0]:=10;
289   bp[sp*1]:=(250,740)..(190,550)..(110,460);
290   bq[sp*1]:=(1.6,1.6)-(1.2,1.2)-(0.8,0.8);
291   bo_serif[sp*1]:=10;
292   bp[sp*2]:=(point 0.75 of bp[sp*1])-
293     (830,ypart point 0.75 of bp[sp*1]);
294   bq[sp*2]:=(1.6,1.6)-(1.6,1.6);
295   bo_serif[sp*2][1]:=9;
296   bp[sp*3]:=(220,310)-(780,310);
297   bq[sp*3]:=(1.6,1.6)-(1.6,1.6);
298   bo_serif[sp*3][1]:=9;
299   bp[sp*4]:=(120,0)-(880,0);
300   bq[sp*4]:=(1.7,1.7)-(1.7,1.7);
301   bo_serif[sp*4][1]:=9;
302   sp:=sp*5;
303 enddef;

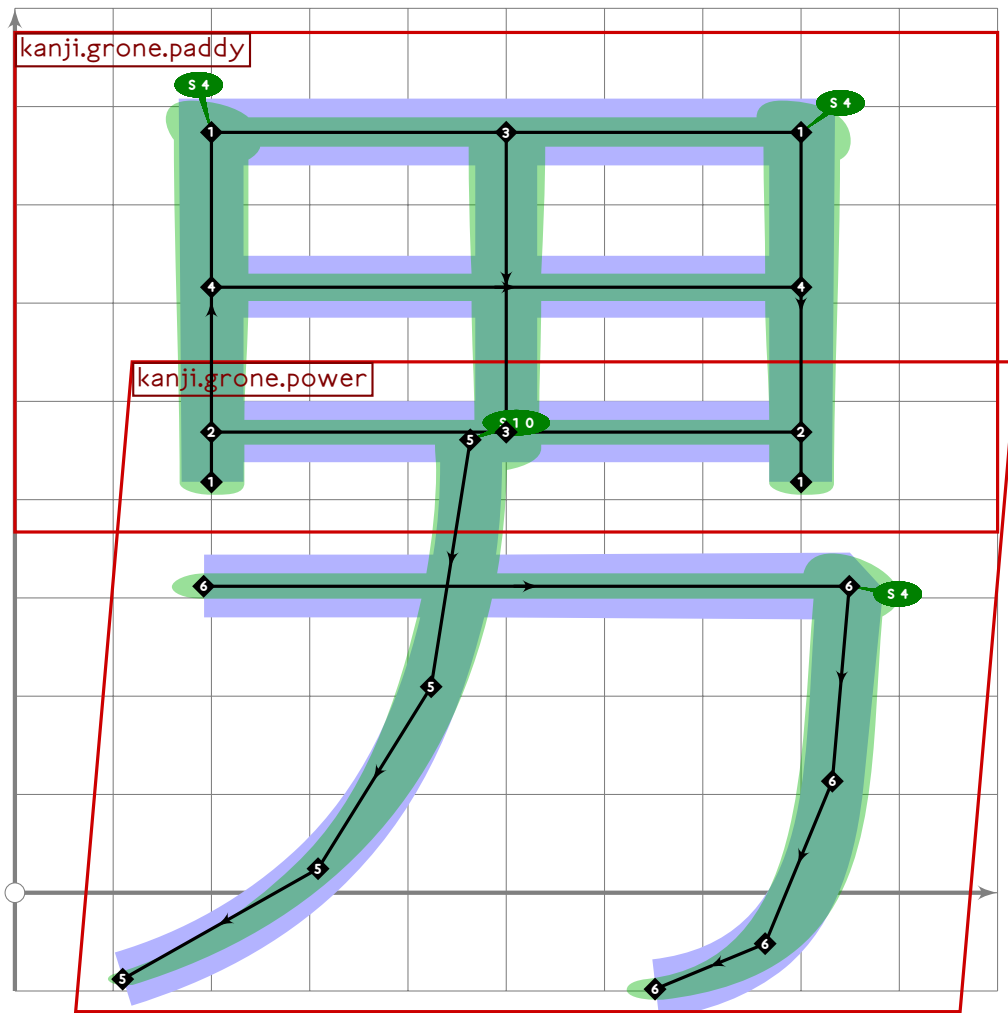
```



```

304
305 vardef tsu_curve.kanji.grone.left =
306   add_proof_box("kanji.grone.left");
307   bp[sp]:=(120,610)..(880,610);
308   bq[sp]:=(1.6,1.6)-(1.6,1.6);
309   bo_serif[sp][1]:=9;
310   bp[sp*1]:=(430,790)..(330,440)..(200,270)..(50,160);
311   bq[sp*1]:=(1.6,1.6)-(1.5,1.5)-(1.3,1.3)-(0.8,0.8);
312   bo_serif[sp*1][0]:=10;
313   bp[sp*2]:=(((0,350)-(1000,350)) intersectionpoint bp[sp*1])*(40,0)..
314     (830,350);
315   bq[sp*2]:=(1.6,1.6)-(1.6,1.6);
316   bo_serif[sp*2][1]:=9;
317   bp[sp*3]:=(200,30)..(890,30);
318   bq[sp*3]:=(1.6,1.6)-(1.6,1.6);
319   bo_serif[sp*3][1]:=9;
320   bp[sp*4]:=(point 0.5 of bp[sp*2])-(xpart point 0.5 of bp[sp*2],30);
321   bq[sp*4]:=(1.6,1.6)-(1.5,1.5);
322   sp:=sp*5;
323 enddef;

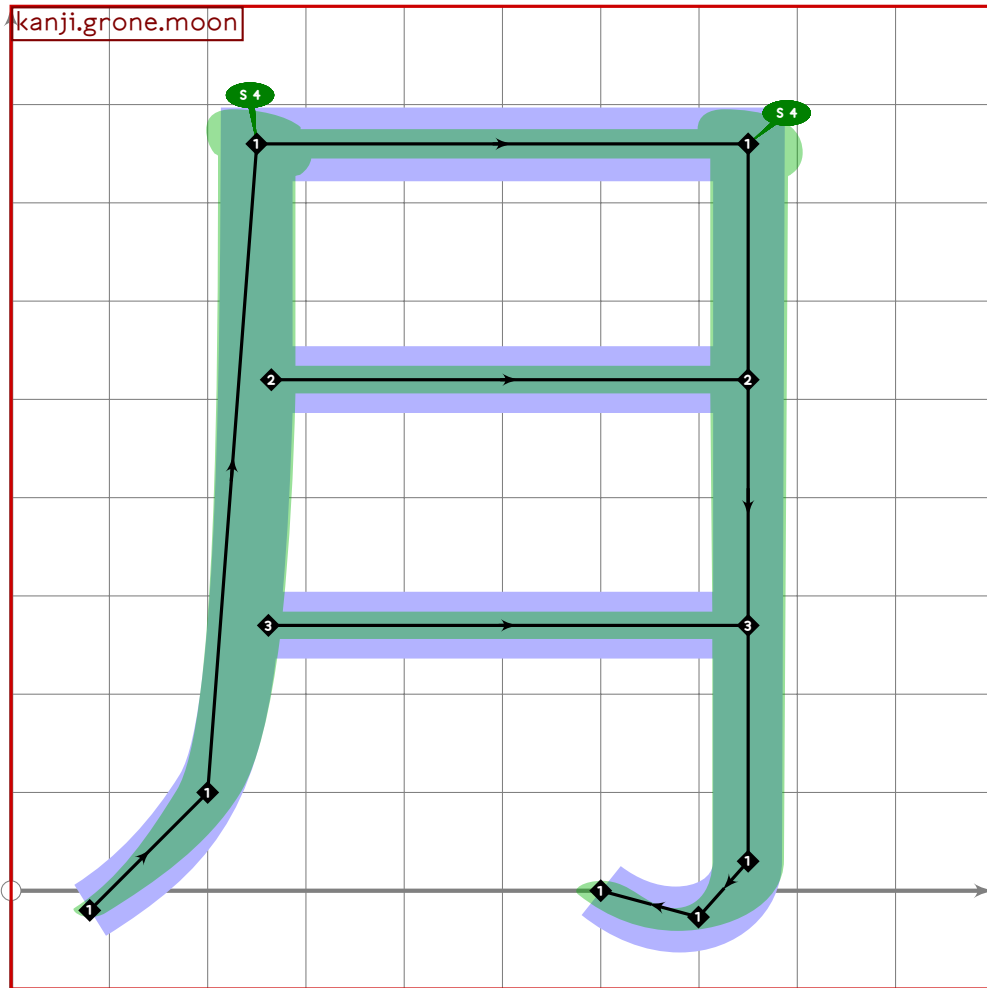
```



```

324
325 vardef tsu_curve.kanji.grone.man =
326   add_proof_box("kanji.grone.man");
327   build_kanji.level(build_kanji.tb(430,75)
328     (tsu_curve.kanji.grone.paddy)
329     (build_kanji.sscale(xyscaled (0.9,1.15) slanted 0.05 shifted (40,0))
330       (tsu_curve.kanji.grone.power)));
331   bp[sp-1]:=bp[sp-1] shifted (0,30);
332 enddef;

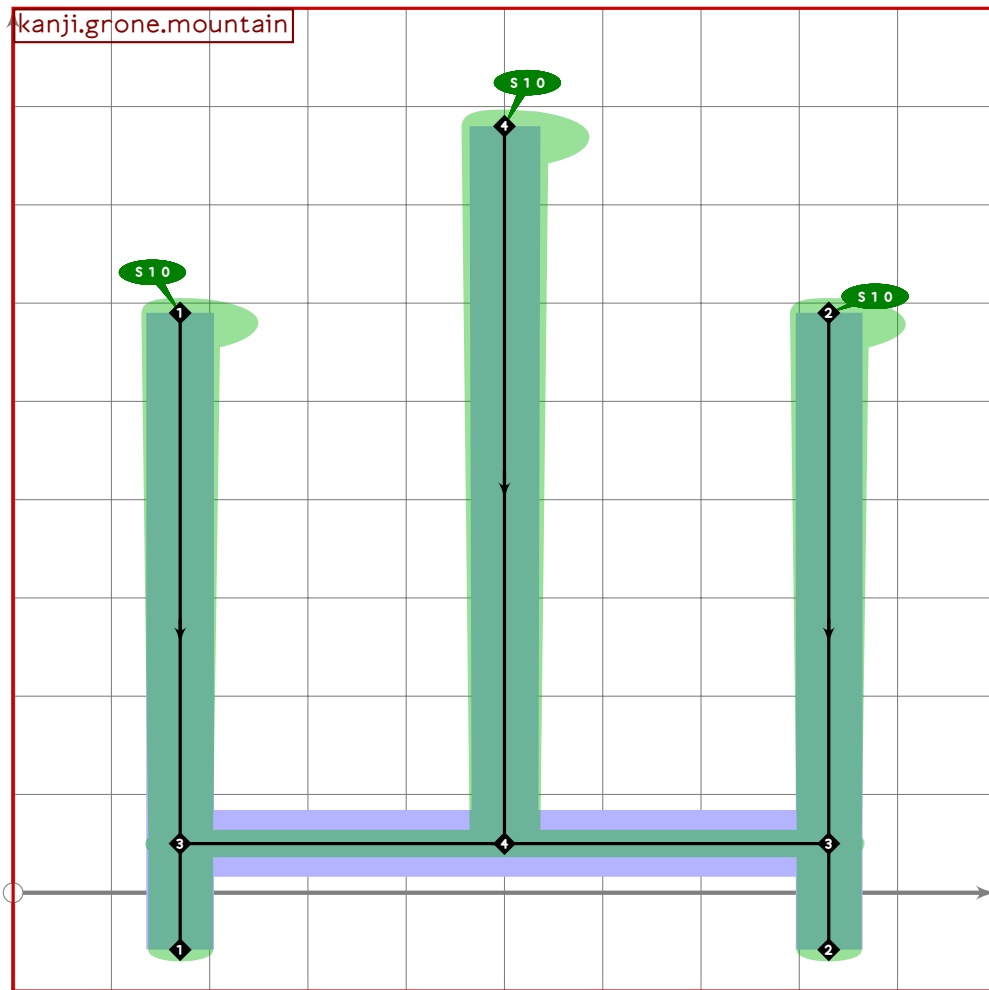
```



```

333
334 vardef tsu_curve.kanji.grone.moon =
335   add_proof_box("kanji.grone.moon");
336   bp[sp]:=(80,20)..(200,100)..{up}(250,760)-(750,760);
337   bq[sp]:=(1,1)-(1.4,1.4)-(1.6,1.6)-(1.6,1.6);
338   build_kanji.add_jtail(sp);
339   bo_tip[sp][2]:=1;
340   bo_tip[sp][3]:=1;
341   bo_serif[sp][2]:=4;
342   bo_serif[sp][3]:=4;
343   bp[sp*1]:=(bp[sp] intersectionpoint ((0,520)-(1000,520)))-(750,520);
344   bq[sp*1]:=(1.5,1.5)-(1.5,1.5);
345   bp[sp*2]:=(bp[sp] intersectionpoint ((0,270)-(1000,270)))-(750,270);
346   bq[sp*2]:=(1.5,1.5)-(1.5,1.5);
347   sp:=sp*3;
348 enddef;

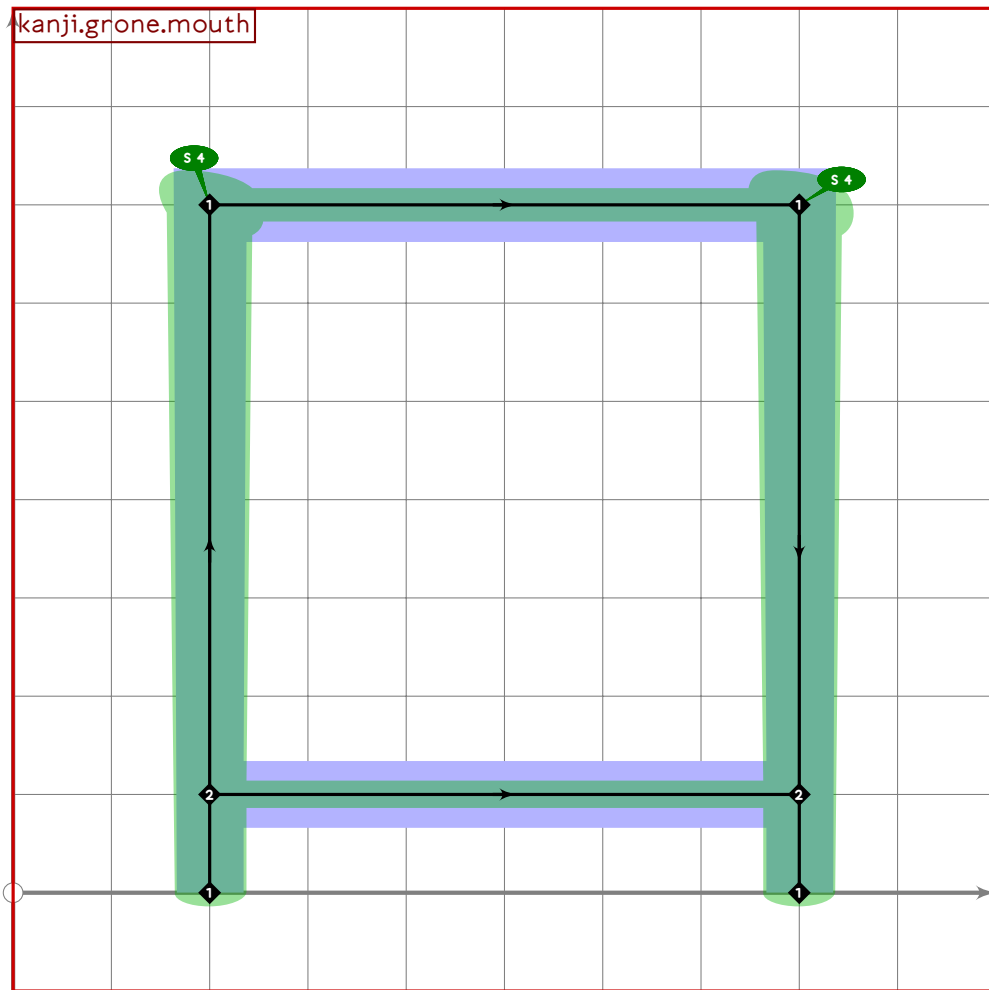
```



```

349
350 vardef tsu_curve.kanji.grone.mountain =
351   add_proof_box("kanji.grone.mountain");
352   build_kanji.cup((170,590),(830,50));
353   bp[sp]:=(500,780)-(500,50);
354   bq[sp]:=(1.7,1.7)-(1.5,1.5);
355   bo_serif[sp][0]:=10;
356   sp:=sp^1;
357 enddef;

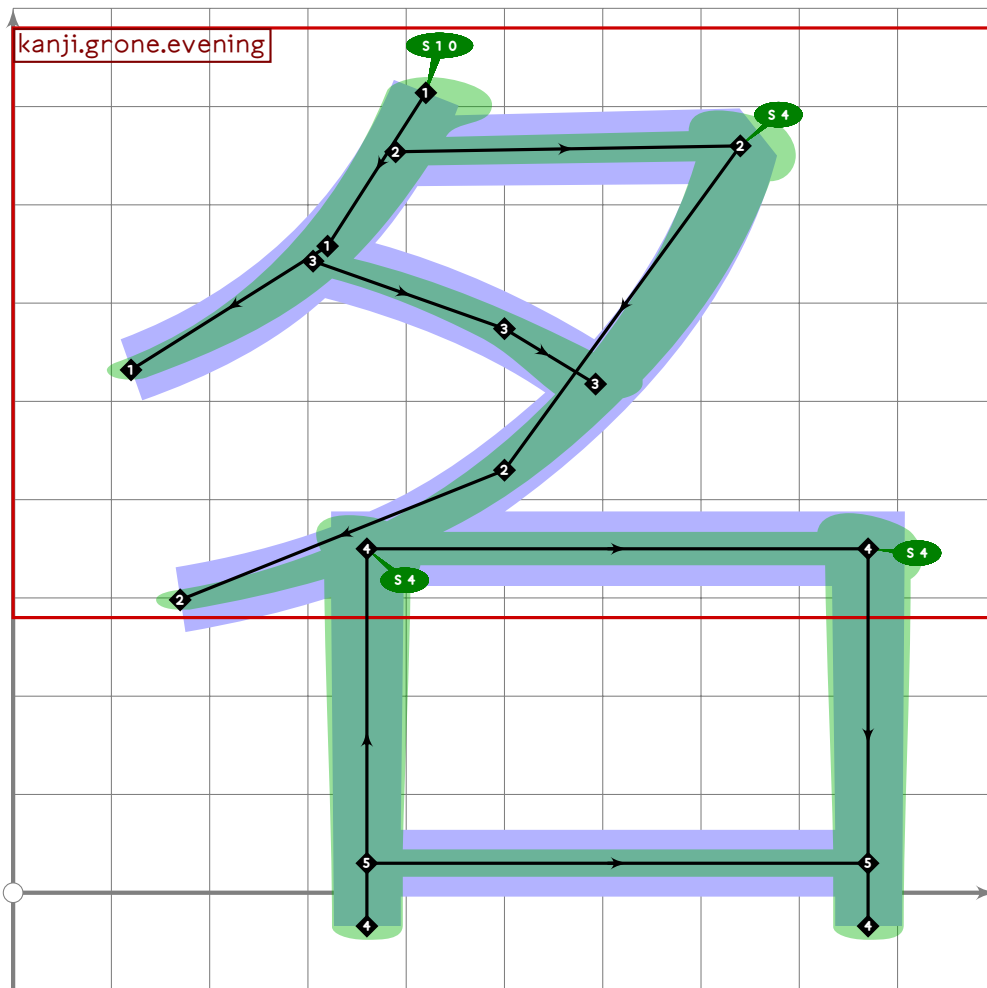
```

```

358
359 vardef tsu_curve.kanji.grone.mouth =
360   add_proof_box("kanji.grone.mouth");
361   build_kanji.box((200,700),(800,100));
362 enddef;

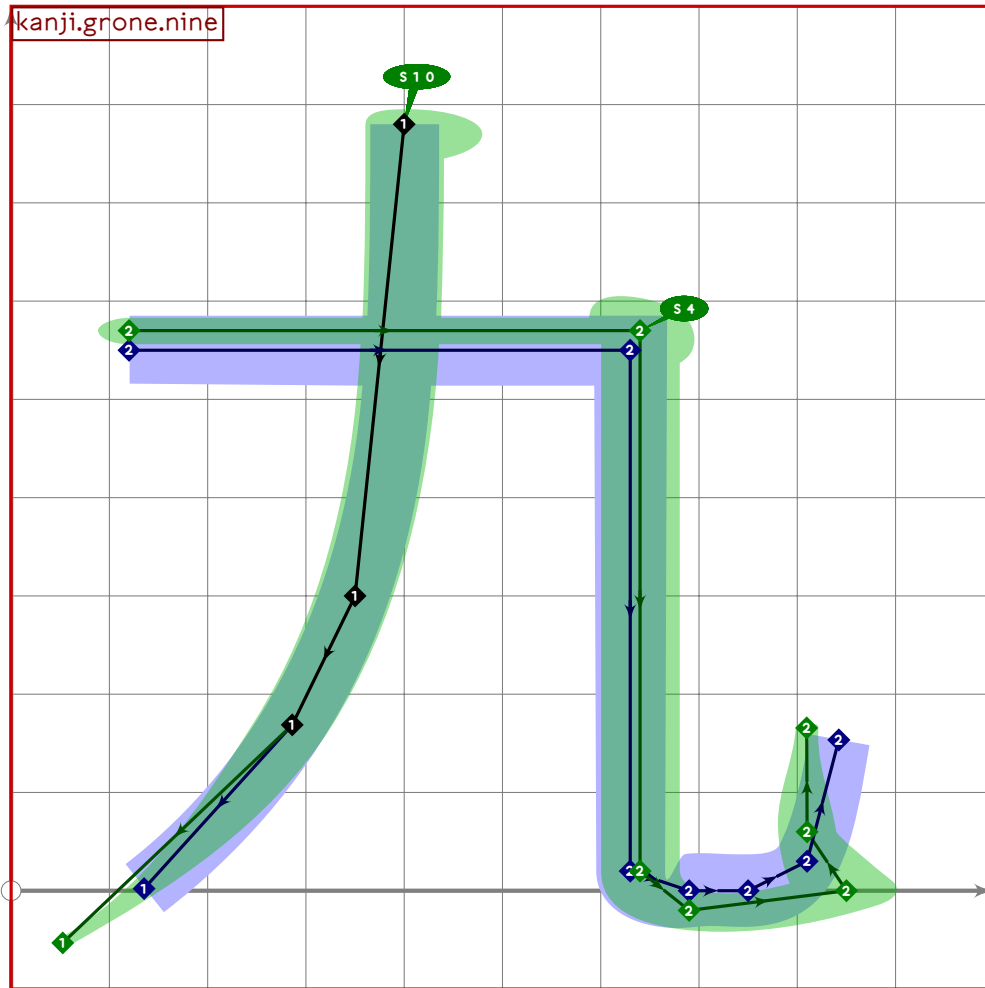
```



```

363
364 vardef tsu_curve.kanji.grone.name =
365   add_proof_box("kanji.grone.name");
366   tsu_xform(identity shifted (-50,850) yscaled 0.6 shifted (50,850))
367     (tsu_curve.kanji.grone.evening);
368   bo_size[sp-3]:=102;
369   bo_size[sp-2]:=102;
370   bo_size[sp-1]:=102;
371   build_kanji.box((360,350),(870,30));
372 enddef;

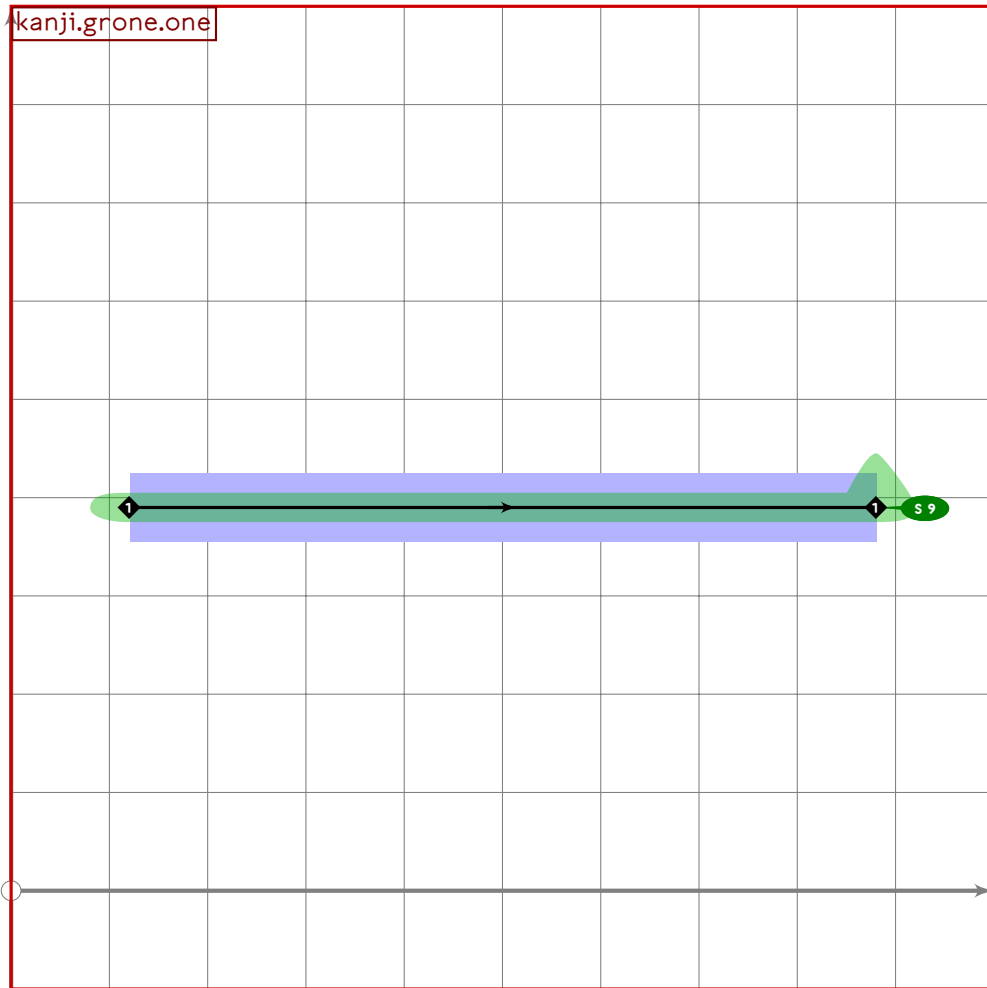
```



```

373
374 vardef tsu_curve.kanji.grone.nine =
375   add_proof_box("kanji.grone.nine");
376   bp[sp]:=(400,780){down}..(350,300)..(40,60);
377   bp[sp]:=insert_nodes(bp[sp])(1.3);
378   bq[sp]:=(1.6,1.6)-(1.6,1.6)-(1.6,1.6)-(0.8,0.7);
379   bo_serif[sp][0]:=10;
380   bp[sp*1]:=interpath(mincho,
381     (120,550)-(630,550)-(630,20){down}..(690,0)..
382     (750,0)..(810,30)..tension 2..(850,230),
383     (120,570)-(640,570)-(640,20){down}..(690,20)..
384     (850,0){curl 0.2}..(810,60)..tension 2..(810,170));
385   bq[sp*1]:=(1.4,1.4)-(1.6,1.6)-(1.6,1.6)-(1.9,1.9)-
386     (1.9,1.9)-(1.3,1.3)-(0.8,0.8);
387   bo_tip[sp*1][1]:=1;
388   bo_serif[sp*1][1]:=4;
389   sp:=sp*2;
390 enddef;

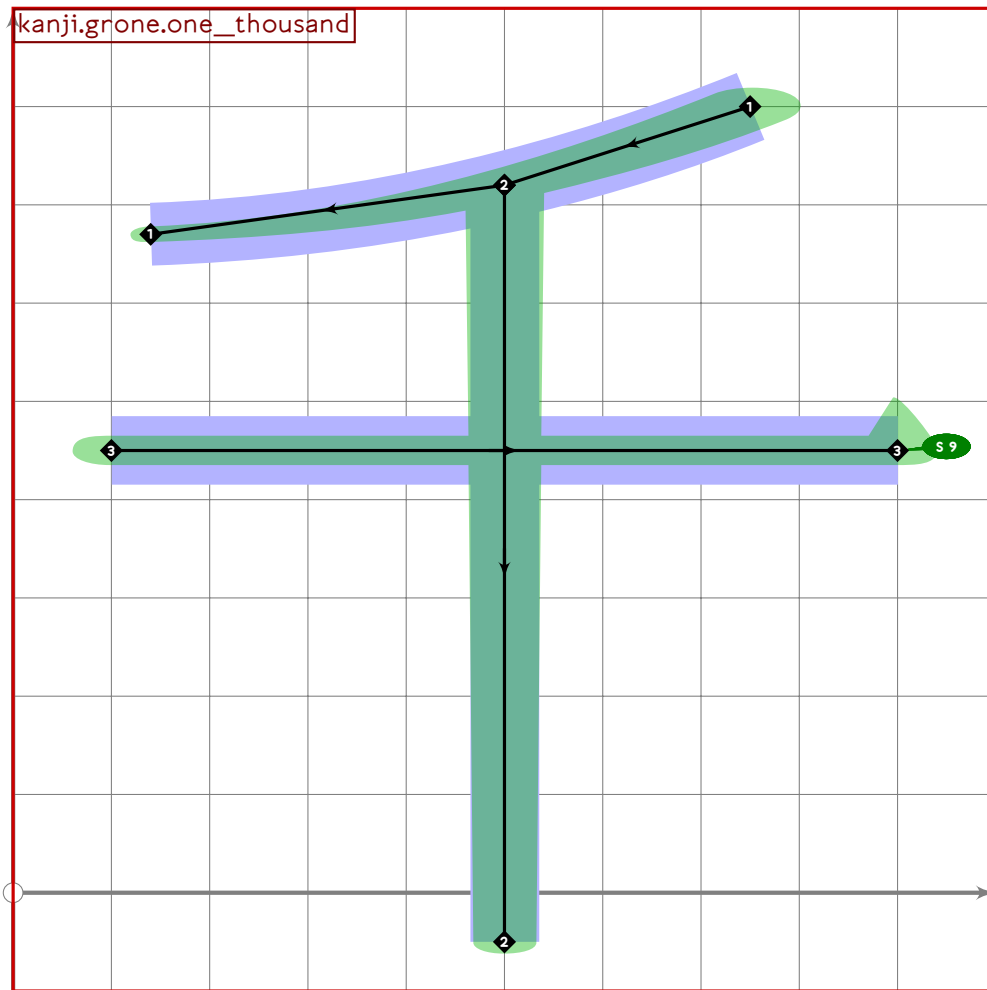
```



```

391
392 vardef tsu_curve.kanji.grone.one =
393   add_proof_box("kanji.grone.one");
394   bp[sp]:=(120,390)-(880,390);
395   bq[sp]:=(1.6,1.6)-(1.6,1.6);
396   bo_serif[sp][1]:=9;
397   sp:=sp*1;
398 enddef;

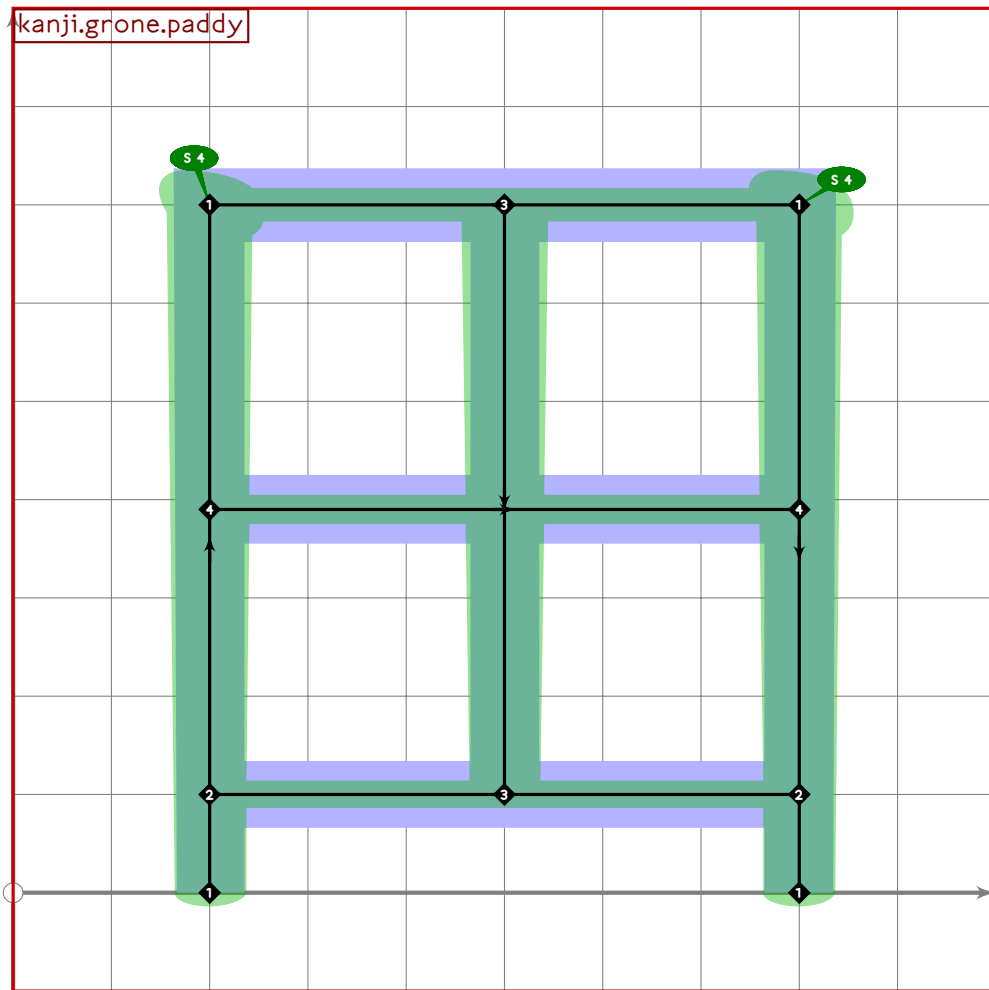
```



```

399
400 vardef tsu_curve.kanji.grone.one_thousand =
401   add_proof_box("kanji.grone.one_thousand");
402   bp[sp]:=(750,800)..(500,720)..(140,670);
403   bq[sp]:=(1.9,1.9)-(1.6,1.6)-(1.1,1.1);
404   bp[sp*1]:=(500,720)-(500,50);
405   bq[sp*1]:=(1.6,1.6)-(1.4,1.4);
406   bp[sp*2]:=(100,450)-(900,450);
407   bq[sp*2]:=(1.6,1.6)-(1.6,1.6);
408   bo_serif[sp*2][1]:=9;
409   sp:=sp*3;
410 enddef;

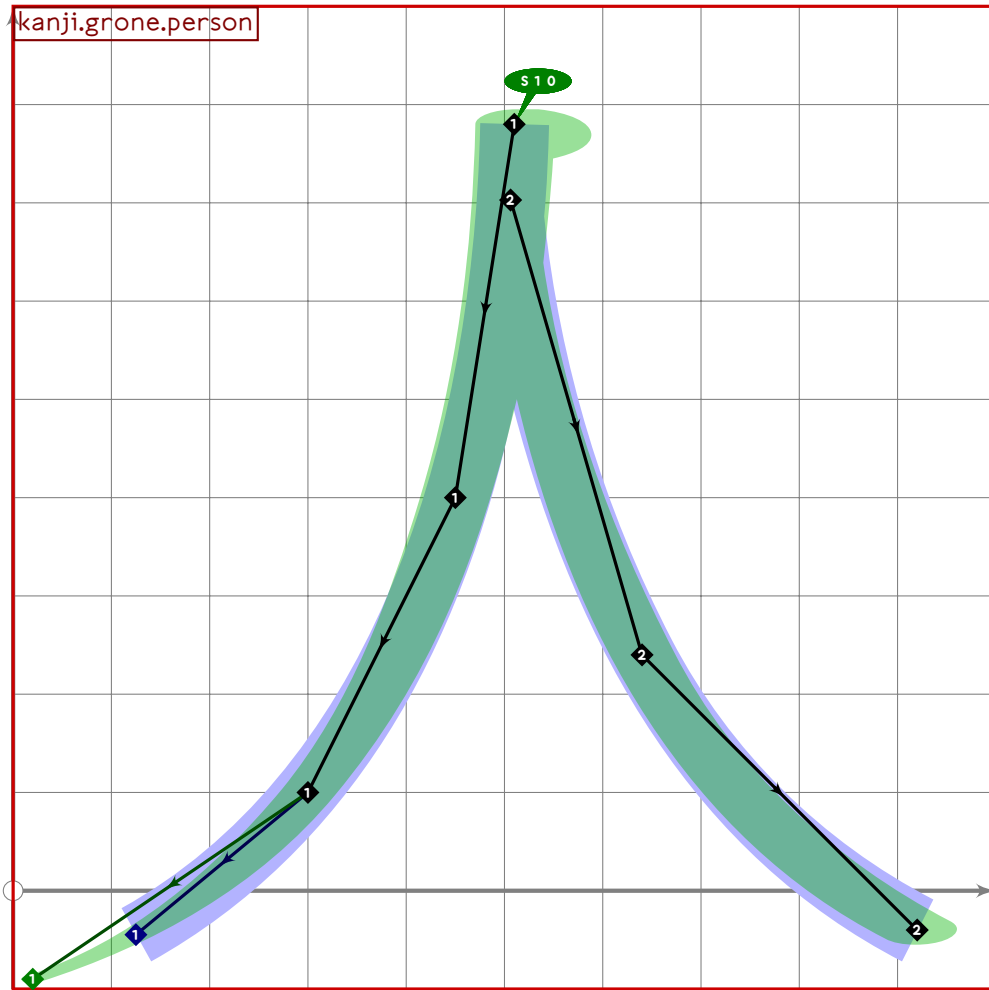
```



```

411
412 vardef tsu_curve.kanji.grone.paddy =
413   add_proof_box("kanji.grone.paddy");
414   build_kanji.box((200,700),(800,100));
415   bp[sp]:=(500,700)-(500,100);
416   bq[sp]:=(1.7,1.7)-(1.5,1.5);
417   bp[sp*1]:=(200,390)-(800,390);
418   bq[sp*1]:=(1.6,1.6)-(1.6,1.6);
419   sp:=sp*2;
420 enddef;

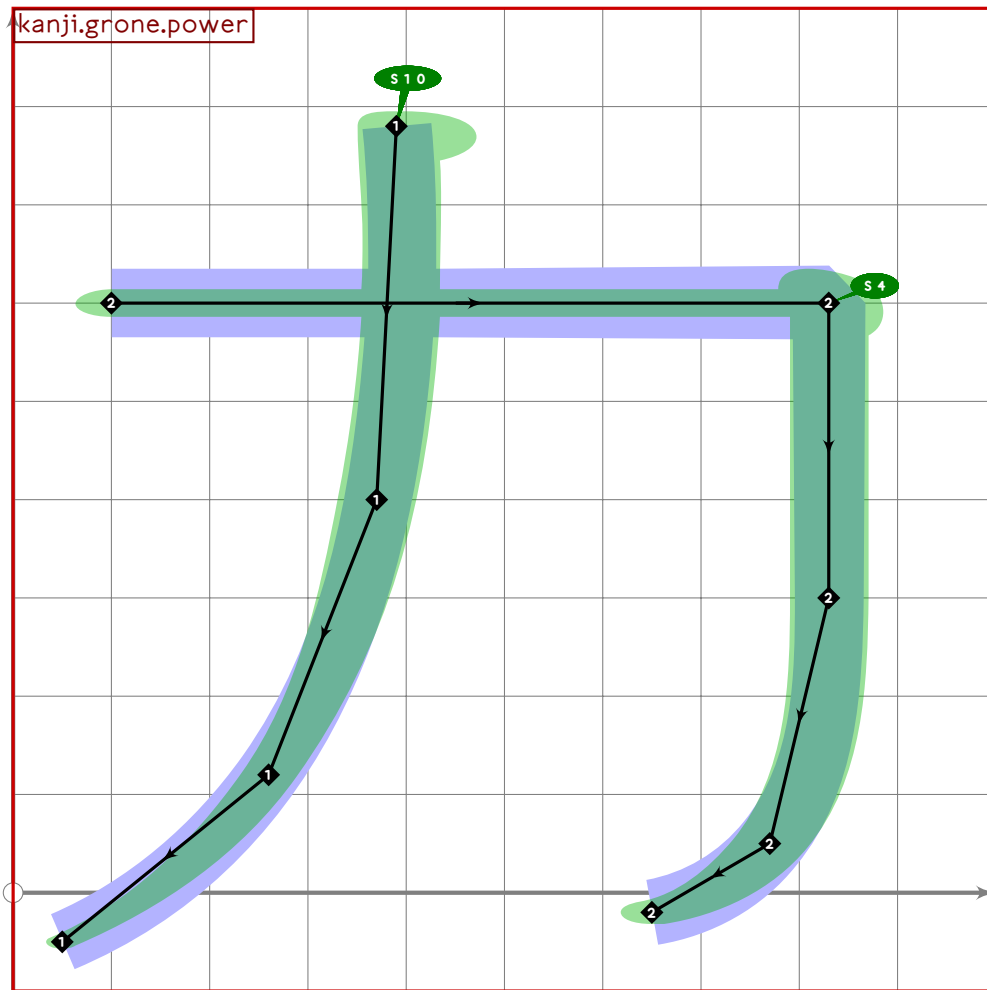
```



```

421
422 vardef tsu_curve.kanji.grone.person =
423   add_proof_box("kanji.grone.person");
424   bp[sp]:=(510,780)..(450,400)..(300,100)..(20,-90);
425   bq[sp]:=(1.6,1.6)-(1.5,1.5)-(1.3,1.3)-(0.85,0.85);
426   bo_serif[sp][0]:=10;
427   bp[sp*1]:=(point 0.2 of bp[sp])..tension 1.2..(640,240)..(920,-40);
428   bq[sp*1]:=(1.2,1.2)-(1.4,1.4)-(1.6,1.6);
429   sp:=sp*2;
430 enddef;

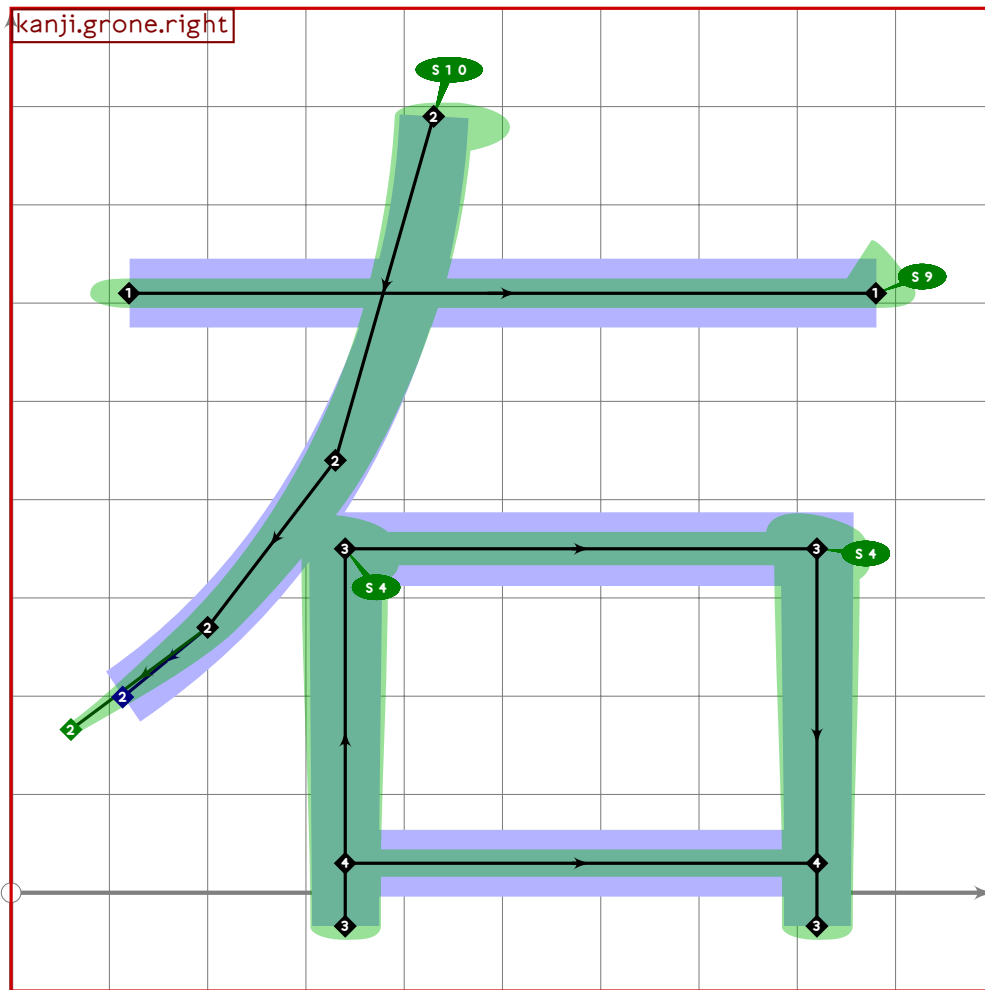
```



```

431
432 vardef tsu_curve.kanji.grone.power =
433   add_proof_box("kanji.grone.power");
434   bp[sp]:=(390,780)..(370,400)..(260,120)..(50;-50);
435   bq[sp]:=(1.6,1.6)-(1.6,1.6)-(1.3,1.3)-(1,1);
436   bo_serif[sp][0]:=10;
437   bp[sp*1]:=(100,600)-(830,600)..tension 1.1..(830,300)..(770,50)..(650;-20);
438   bq[sp*1]:=(1.5,1.5)-(1.6,1.6)-(1.6,1.6)-(1.6,1.6)-(1.4,1.4);
439   bo_tip[sp*1][1]:=0;
440   bo_serif[sp*1][1]:=4;
441   sp:=sp*2;
442 enddef;

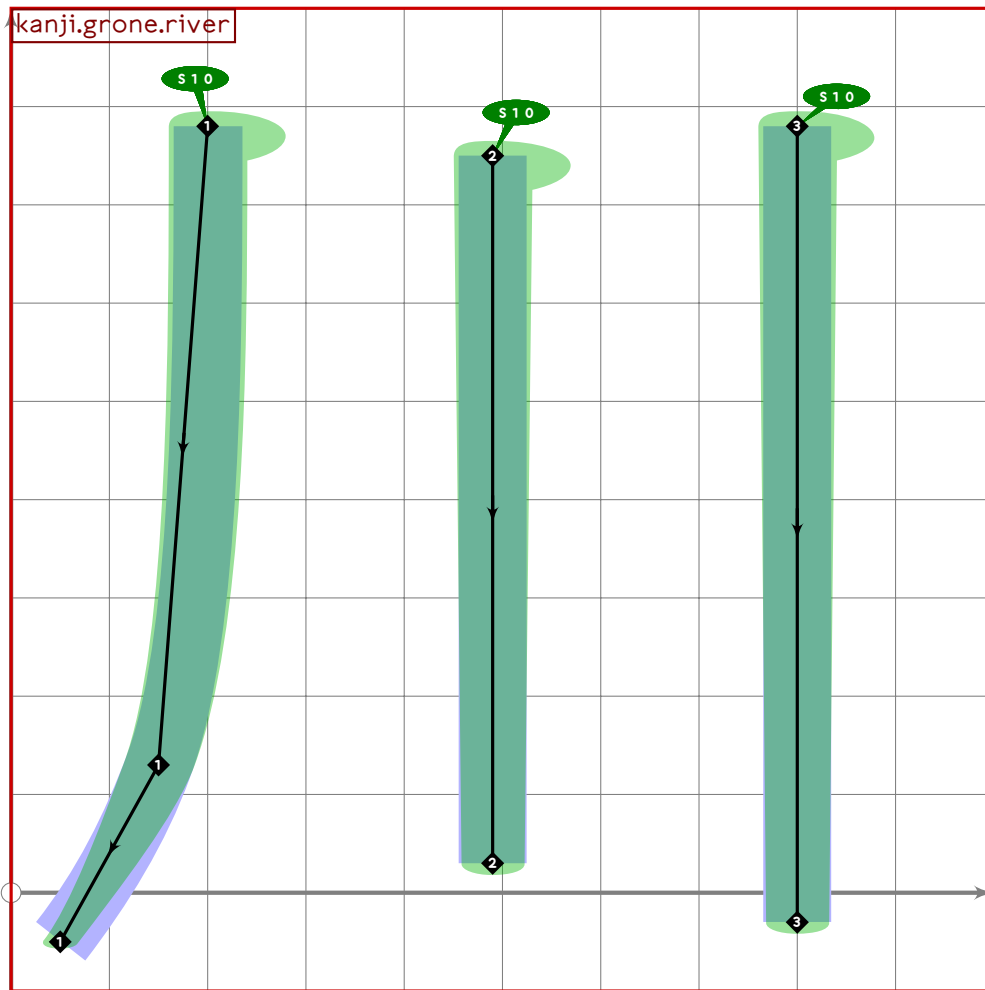
```

```

443
444 vardef tsu_curve.kanji.grone.right =
445   add_proof_box("kanji.grone.right");
446   bp[sp]:=(120,610)..(880,610);
447   bq[sp]:=(1.6,1.6)-(1.6,1.6);
448   bo_serif[sp][1]:=9;
449   bp[sp*1]:=(430,790)..(330,440)..(200,270)..(50,160);
450   bq[sp*1]:=(1.6,1.6)-(1.5,1.5)-(1.3,1.3)-(0.8,0.8);
451   bo_serif[sp*1][0]:=10;
452   sp:=sp*2;
453   build_kanji.box((340,350),(820,30));
454 enddef;

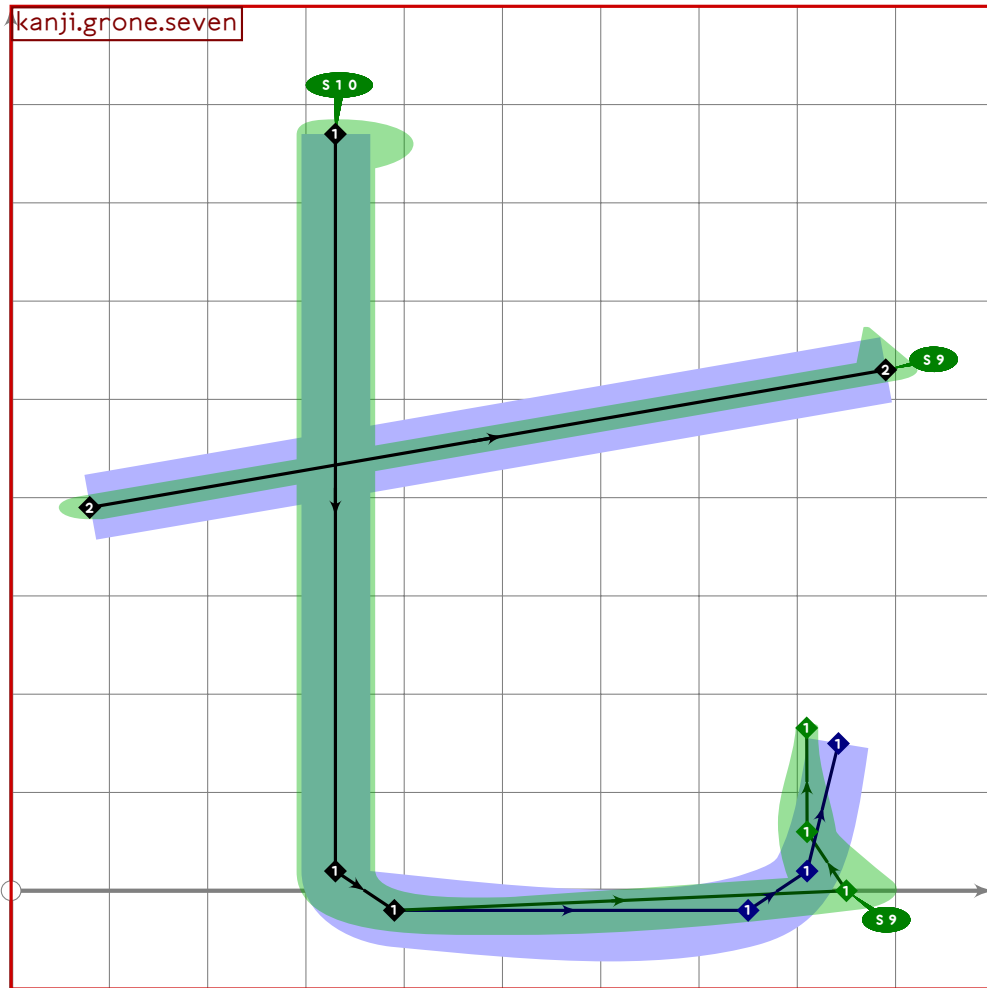
```



```

455
456 vardef tsu_curve.kanji.grone.river =
457   add_proof_box("kanji.grone.river");
458   bp[sp]:=(200,780){down}..(150,130)..(50,-50);
459   bq[sp]:=(1.6,1.6)-(1.5,1.5)-(1,1);
460   bo_serif[sp][0]:=10;
461   bp[sp*1]:=(490,750)-(490,30);
462   bq[sp*1]:=(1.6,1.6)-(1.4,1.4);
463   bo_serif[sp*1][0]:=10;
464   bp[sp*2]:=(800,780)-(800,30);
465   bq[sp*2]:=(1.6,1.6)-(1.4,1.4);
466   bo_serif[sp*2][0]:=10;
467   sp:=sp*3;
468 enddef;

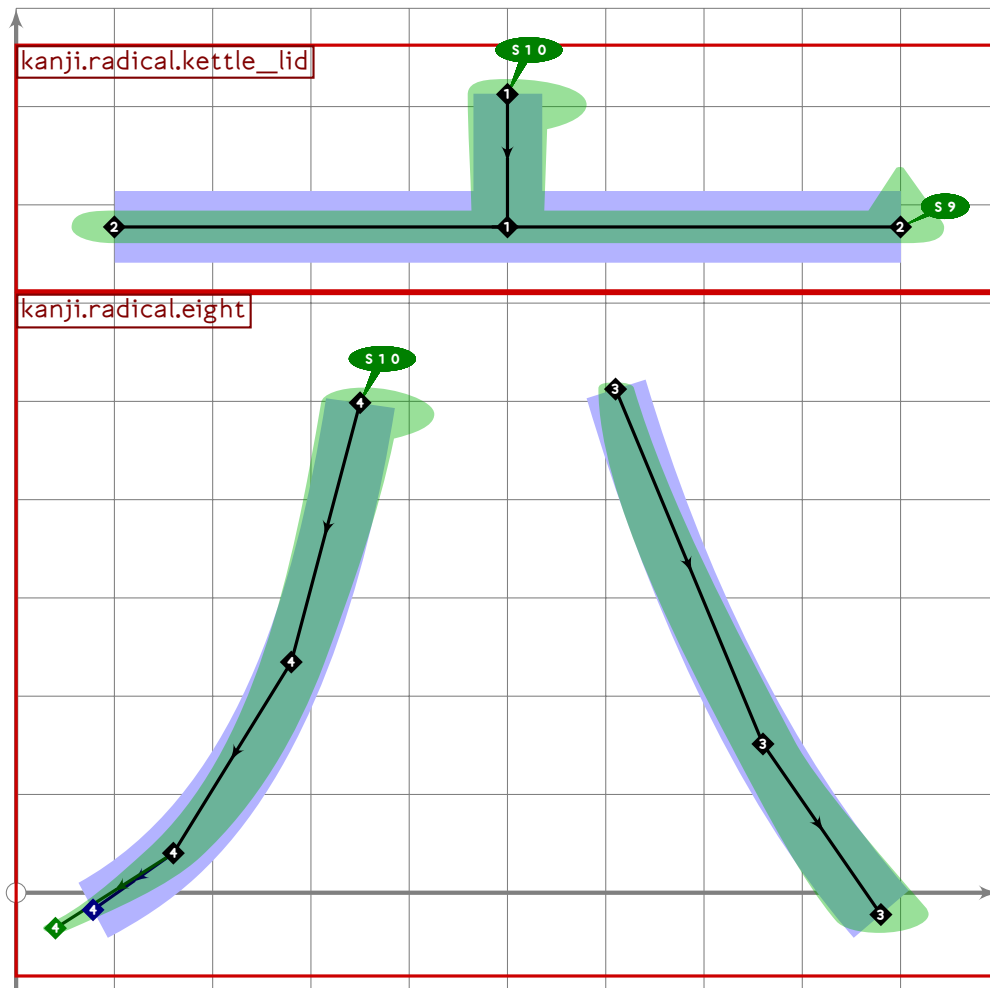
```



```

469
470 vardef tsu_curve.kanji.grone.seven =
471   add_proof_box("kanji.grone.seven");
472   bp[sp]:=interpath(mincho,
473     (330,770)–(330,20){down}..(390,-20)..
474     (750,-20)..(810,20)..tension 2..(850,230),
475     (330,770)–(330,20){down}..(390,-20)..
476     (850,0){curl 0.2}..(810,60)..tension 2..(810,170));
477   bq[sp]:=(1.6,1.6)–(1.6,1.6)–(1.9,1.9)–
478     (1.9,1.9)–(1.3,1.3)–(0.8,0.8);
479   bo_serif[sp][0]:=10;
480   bo_serif[sp][3]:=9;
481   bp[sp^1]:=(80,390)–(890,530);
482   bq[sp^1]:=(1.4,1.4)–(1.4,1.4);
483   bo_serif[sp^1][1]:=9;
484   sp:=sp^2;
485 enddef;

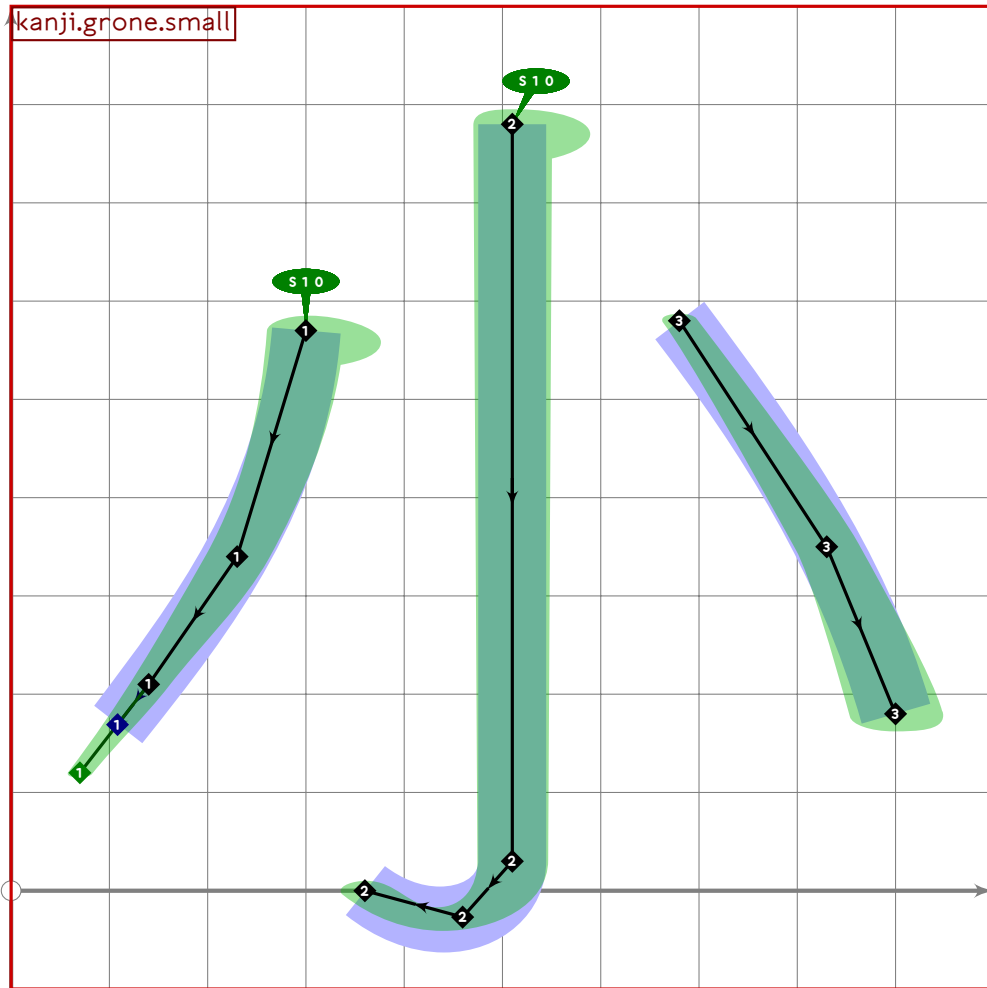
```



```

486
487 vardef tsu_curve.kanji.grone.six =
488   add_proof_box("kanji.grone.six");
489   build_kanji.level(build_kanji.tb(600;50)
490     (tsu_curve.kanji.radical.kettle_lid)
491     (tsu_curve.kanji.radical.eight));
492 enddef;

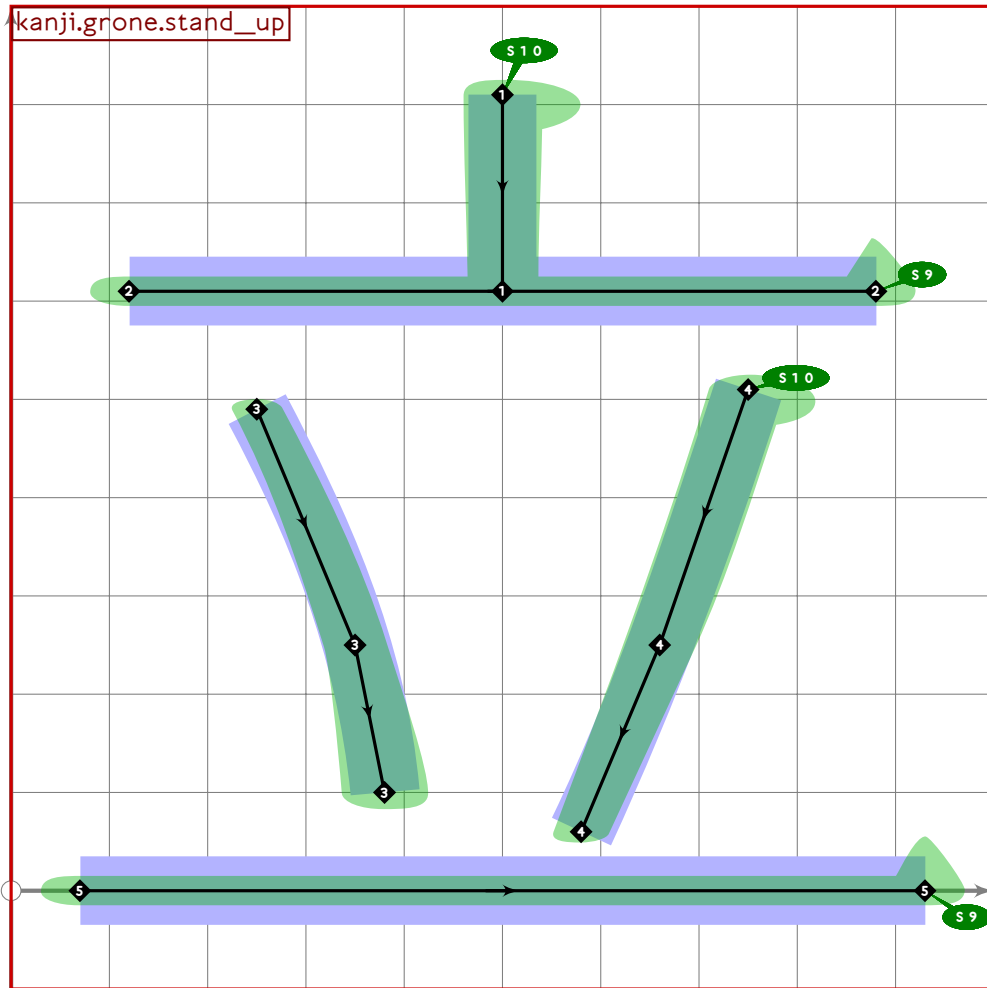
```



```

493
494 vardef tsu_curve.kanji.grone.small =
495   add_proof_box("kanji.grone.small");
496   bp[sp]:=(300,570)..(230,340)..(140,210)..(70,120);
497   bq[sp]:=(1.6,1.6)-(1.4,1.4)-(1.1,1.1)-(0.88,0.88);
498   bo_serif[sp][0]:=10;
499   bp[sp*1]:=(510,780);
500   bq[sp*1]:=(1.6,1.6);
501   bo_serif[sp*1][0]:=10;
502   build_kanji.add_jtail(sp*1);
503   bp[sp*2]:=(680,580)..tension 1.3..(830,350)..(900,180);
504   bq[sp*2]:=(1,1)-(1.4,1.4)-(1.8,1.8);
505   sp:=sp*3;
506 enddef;

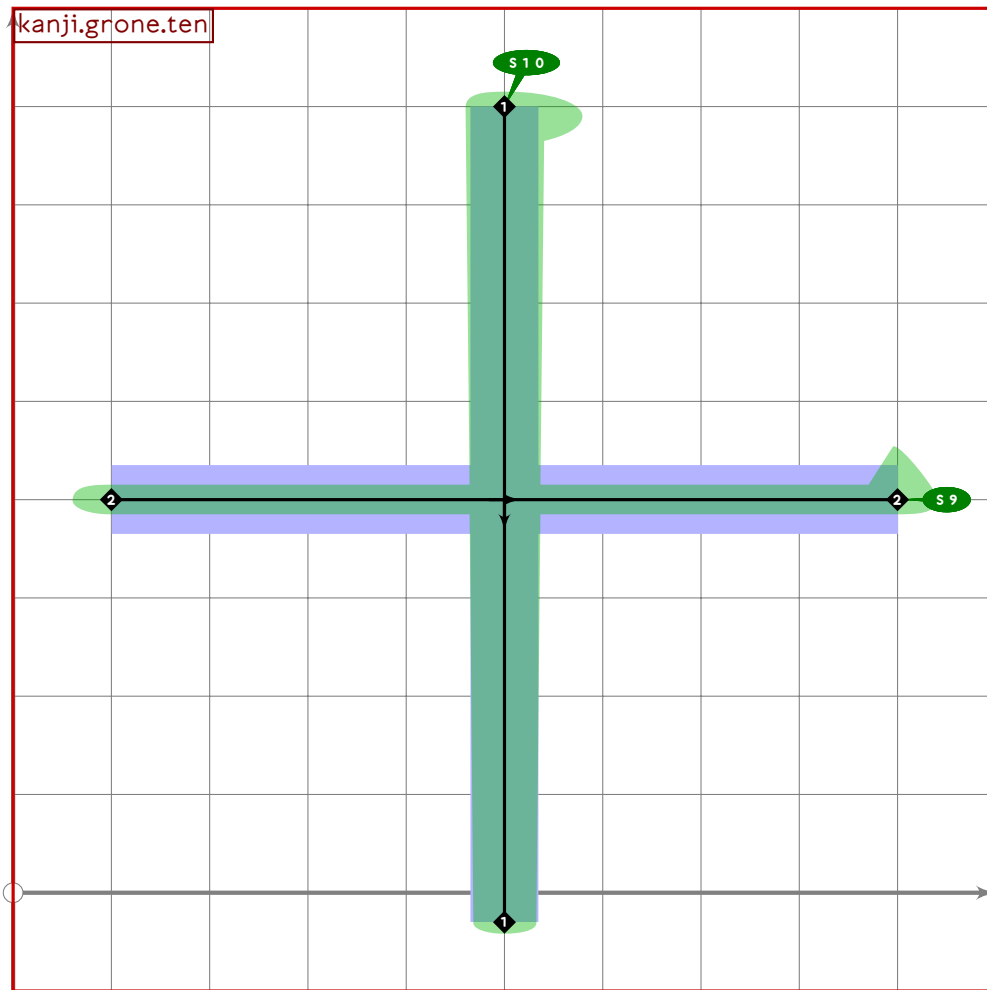
```



```

507
508 vardef tsu_curve.kanji.grone.stand_up =
509   add_proof_box("kanji.grone.stand_up");
510   bp[sp]:=(500,810)-(500,610);
511   bq[sp]:=(1.6,1.6)-(1.5,1.5);
512   bo_serif[sp][0]:=10;
513   bp[sp*1]:=(120,610)-(880,610);
514   bq[sp*1]:=(1.6,1.6)-(1.6,1.6);
515   bo_serif[sp*1][1]:=9;
516   bp[sp*2]:=(250,490)..tension 1.2..(350,250)..(380,100);
517   bq[sp*2]:=(1.2,1.2)-(1.4,1.4)-(1.7,1.7);
518   bp[sp*3]:=(750,510)..tension 1.2..(660,250)..(580,60);
519   bq[sp*3]:=(1.6,1.6)-(1.5,1.5)-(1.3,1.3);
520   bo_serif[sp*3][0]:=10;
521   bp[sp*4]:=(70,0)-(930,0);
522   bq[sp*4]:=(1.6,1.6)-(1.6,1.6);
523   bo_serif[sp*4][1]:=9;
524   sp:=sp*5;
525 enddef;

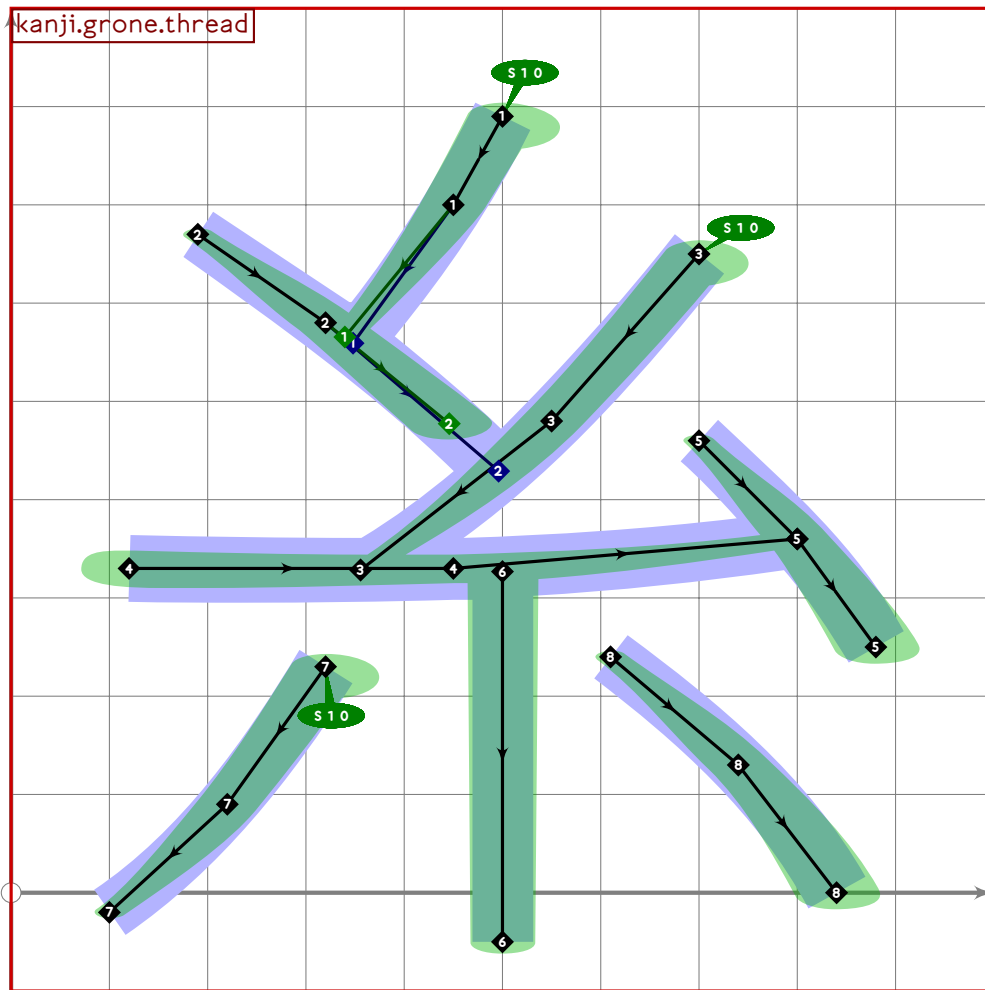
```



```

526
527 vardef tsu_curve.kanji.grone.ten =
528   add_proof_box("kanji.grone.ten");
529   bp[sp]:=(500,800)-(500,30);
530   bq[sp]:=(1.6,1.6)-(1.4,1.4);
531   bo_serif[sp][0]:=10;
532   bp[sp*1]:=(100,400)-(900,400);
533   bq[sp*1]:=(1.6,1.6)-(1.6,1.6);
534   bo_serif[sp*1][1]:=9;
535   sp:=sp*2;
536 enddef;

```



```

537
538 vardef tsu_curve.kanji.grone.thread =
539   add_proof_box("kanji.grone.thread");
540   bp[sp*3]:=(120,330)..tension 1.2..(450,330)..(800,360);
541   bq[sp*3]:=(2,2)-(1.7,1.7)-(1.2,1.2);
542   bp[sp*2]:=(700,650)..tension 1.3..(550,480)..(point 0.7 of bp[sp*3]);
543   bq[sp*2]:=(1.6,1.6)-(1.5,1.5)-(1,1);
544   bo_serif[sp*2][0]:=10;
545   bp[sp*1]:=subpath (0,2-0.3*mincho) of
546     ((190,670)..tension 1.3..(320,580)..(point 1.3 of bp[sp*2]));
547   bq[sp*1]:=(1,1)-(1.5,1.5)-(1.8,1.8);
548   bp[sp]:=(500,790)..(450,700)..(point 1.15 of bp[sp*1]);
549   bq[sp]:=(1.6,1.6)-(1.5,1.5)-(1,1);
550   bo_serif[sp][0]:=10;
551   bp[sp*4]:=(700,460)..tension 1.3..(800,360)..(880,250);
552   bq[sp*4]:=(1,1)-(1.5,1.5)-(1.8,1.8);
553   bp[sp*5]:=((bp[sp*3] intersectionpoint ((500,1000)-(500,0)))+(0,5))
554     -(500,50);
555   bq[sp*5]:=(1.6,1.6)-(1.5,1.5);
556   bp[sp*6]:=(320,230)..tension 1.3..(220,90)..(100,-20);
557   bq[sp*6]:=(1.6,1.6)-(1.5,1.5)-(1,1);

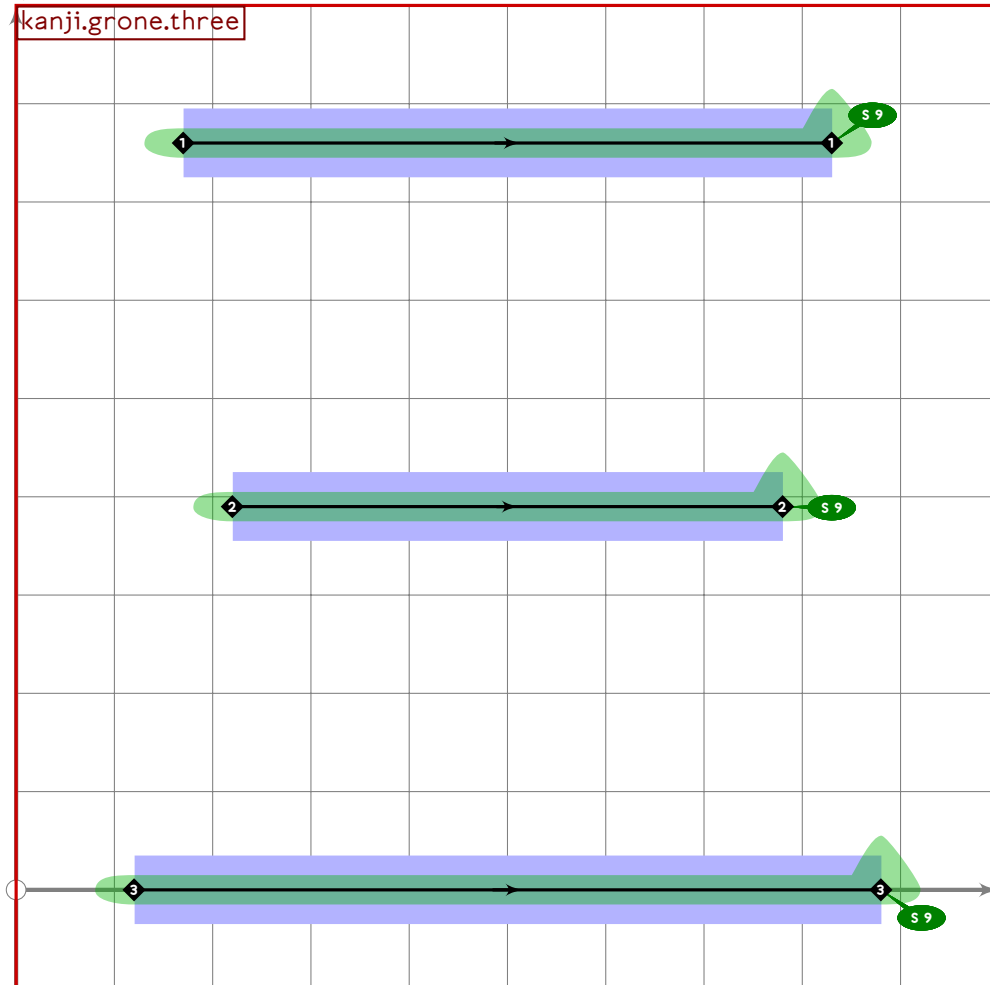
```



```

558 bo_serif[bp+6][0]:=10;
559 bp[sp*7]:=(610,240)..tension 1.3..(740,130)..(840,0);
560 bq[sp*7]:=(1,1)-(1.5,1.5)-(1.8,1.8);
561 for i=sp upto sp*7: bo_size[i]:=90; endfor;
562 sp:=sp*8;
563 enddef;

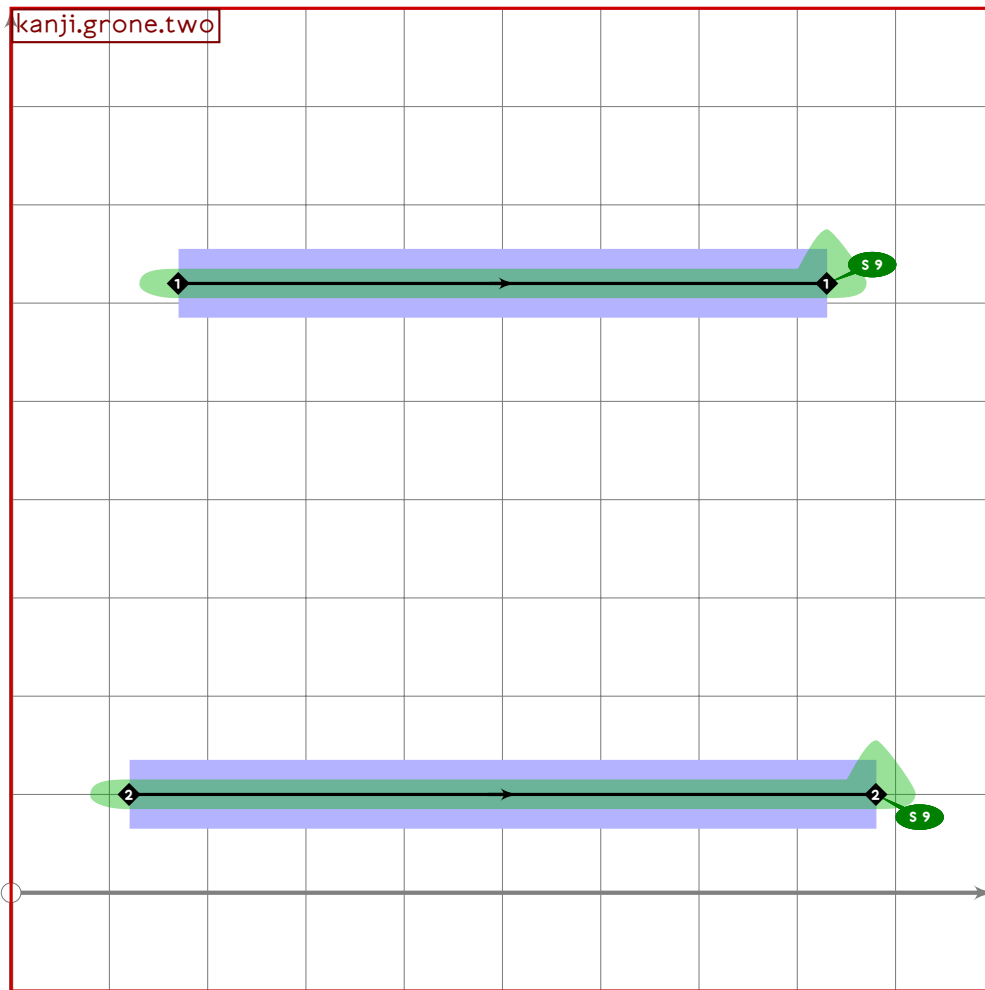
```



```

564
565 vardef tsu_curve.kanji.grone.three =
566   add_proof_box("kanji.grone.three");
567   bp[sp]:=(170,760)-(830,760);
568   bq[sp]:=(1.6,1.6)-(1.6,1.6);
569   bo_serif[sp][1]:=9;
570   bp[sp*1]:=(220,390)-(780,390);
571   bq[sp*1]:=(1.6,1.6)-(1.6,1.6);
572   bo_serif[sp*1][1]:=9;
573   bp[sp*2]:=(120,0)-(880,0);
574   bq[sp*2]:=(1.6,1.6)-(1.6,1.6);
575   bo_serif[sp*2][1]:=9;
576   sp:=sp*3;
577 enddef;

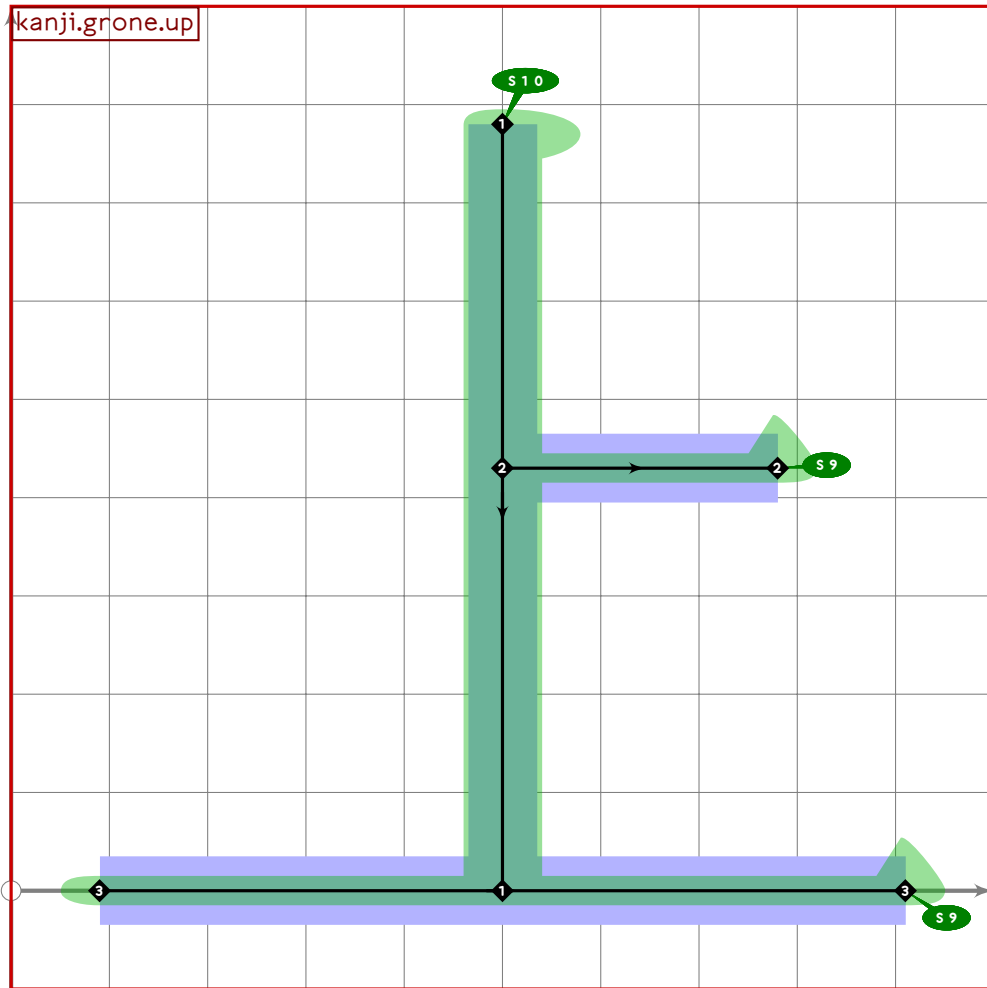
```



```

578
579 vardef tsu_curve.kanji.grone.two =
580   add_proof_box("kanji.grone.two");
581   bp[sp]:=(170,620)-(830,620);
582   bq[sp]:=(1.6,1.6)-(1.6,1.6);
583   bo_serif[sp][1]:=9;
584   bp[sp*1]:=(120,100)-(880,100);
585   bq[sp*1]:=(1.6,1.6)-(1.6,1.6);
586   bo_serif[sp*1][1]:=9;
587   sp:=sp*2;
588 enddef;

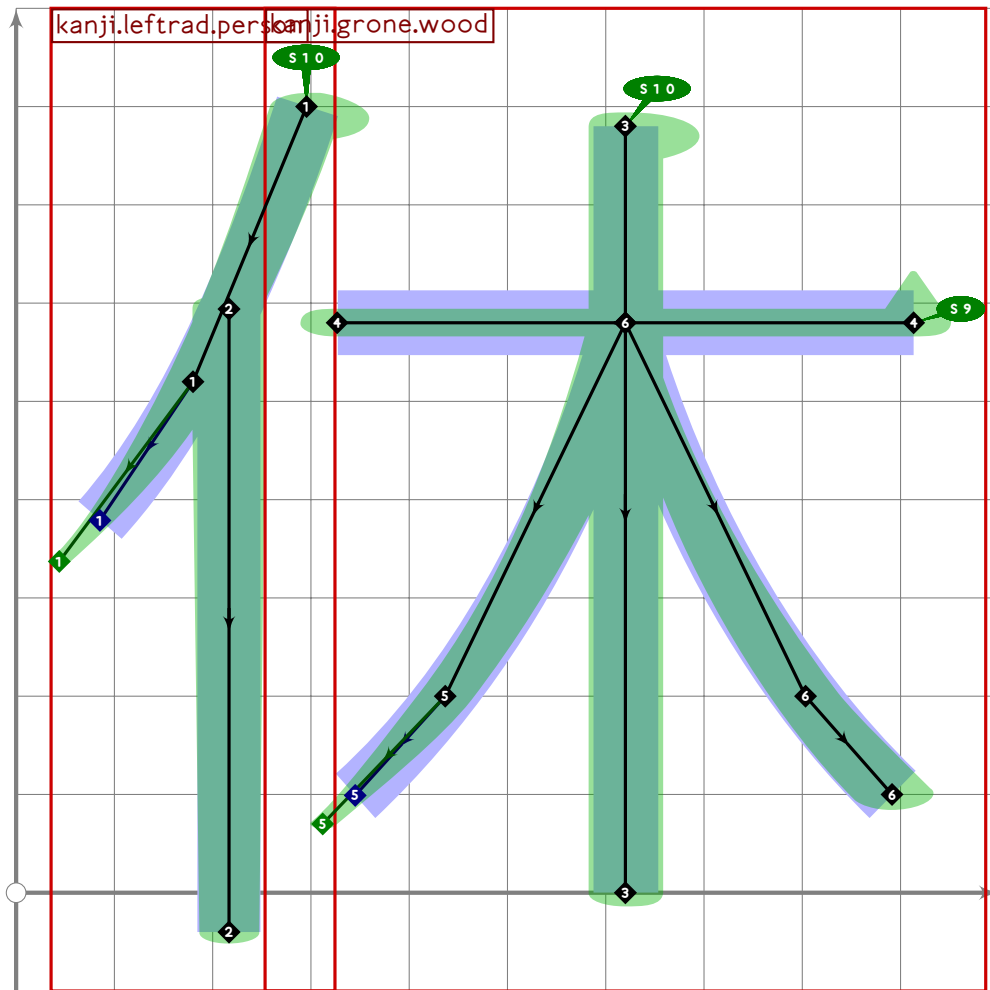
```



```

589
590 vardef tsu_curve.kanji.grone.up =
591   add_proof_box("kanji.grone.up");
592   bp[sp]:=(500,780)-(500,0);
593   bq[sp]:=(1.6,1.6)-(1.6,1.6);
594   bo_serif[sp][0]:=10;
595   bp[sp*1]:=(500,430)-(780,430);
596   bq[sp*1]:=(1.6,1.6)-(1.6,1.6);
597   bo_serif[sp*1][1]:=9;
598   bp[sp*2]:=(90,0)-(910,0);
599   bq[sp*2]:=(1.6,1.6)-(1.6,1.6);
600   bo_serif[sp*2][1]:=9;
601   sp:=sp*3;
602 enddef;

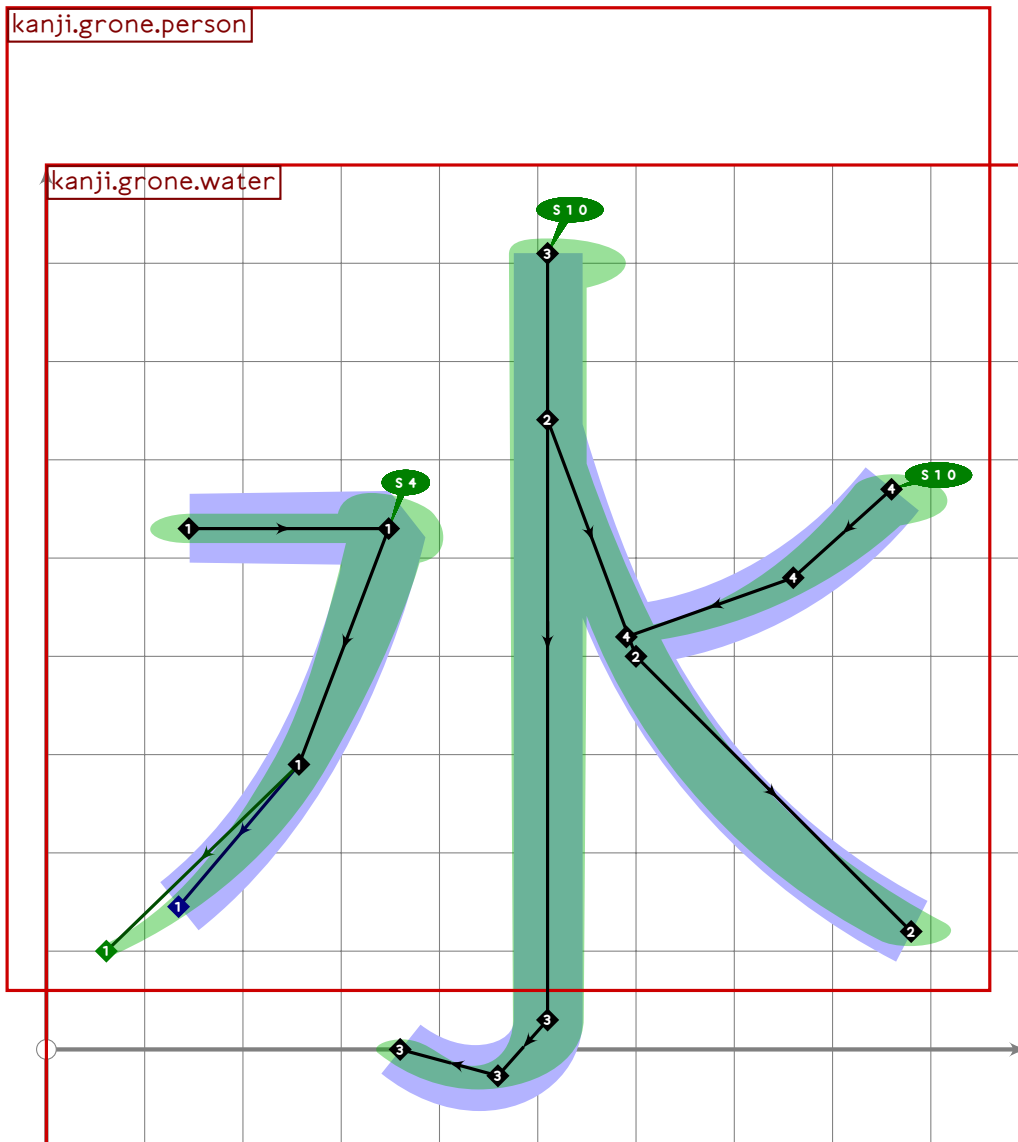
```



```

603
604 vardef tsu_curve.kanji.grone.vacation =
605   add_proof_box("kanji.grone.vacation");
606   build_kanji.lr(300,20)
607     (tsu_curve.kanji.leftrad.person)
608     (tsu_curve.kanji.grone.wood);
609 enddef;

```



```

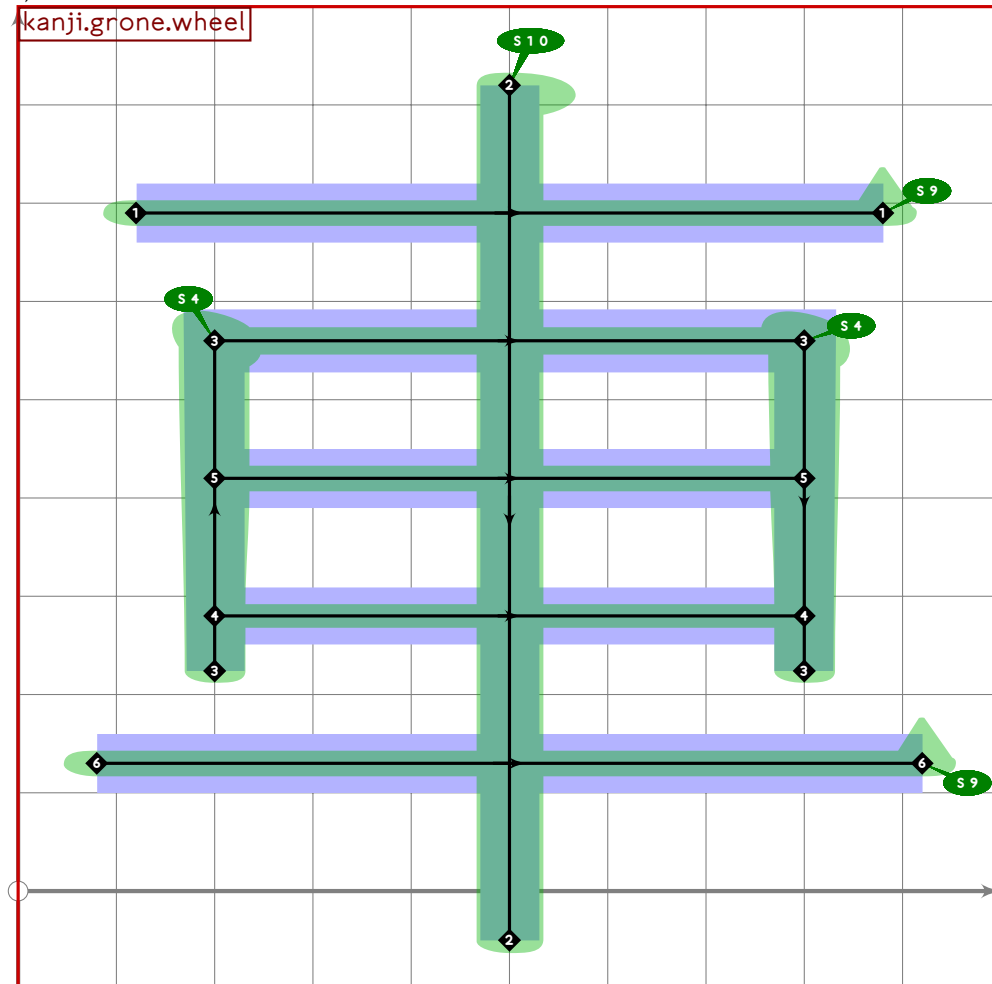
610
611 vardef tsu_curve.kanji.grone.water =
612   tsu_xform(identity shifted (-40,160))(tsu_curve.kanji.grone.person);
613   add_proof_box("kanji.grone.water");
614   sp:=sp-2;
615   bp[sp]:=(100,500)-
616     (subpath (xpart (bp[sp] intersectiontimes
617       ((0,500)-(1000,500))),infinity) of bp[sp]);
618   bp[sp]:=bp[sp] shifted (-250,0) xscaled 0.7 shifted (250,30);
619   bq[sp]:=(1.6,1.6)-(1.6,1.6)-(1.3,1.3)-(0.85,0.85);
620   bo_serif[sp][0]:=whatever;
621   bo_serif[sp][1]:=4;
622   bo_tip[sp][1]:=0;
623   bp[sp*2]:=(510,810);
624   bq[sp*2]:=(1.6,1.6);
625   build_kanji.add_jtail(sp*2);
626   bo_serif[sp*2][0]:=10;

```

```

627 bp[sp*1]:=subpath (xpart (bp[sp*1] intersectiontimes bp[sp*2]),infinity)
628   of bp[sp*1];
629 bp[sp*3]:=(860,570)..(760,480)..(point 0.9 of bp[sp*1]);
630 bq[sp*3]:=(1.6,1.6)-(1.4,1.4)-(1,1);
631 bo_serif[sp*3][0]:=10;
632 sp:=sp*4;
633 enddef;

```



```

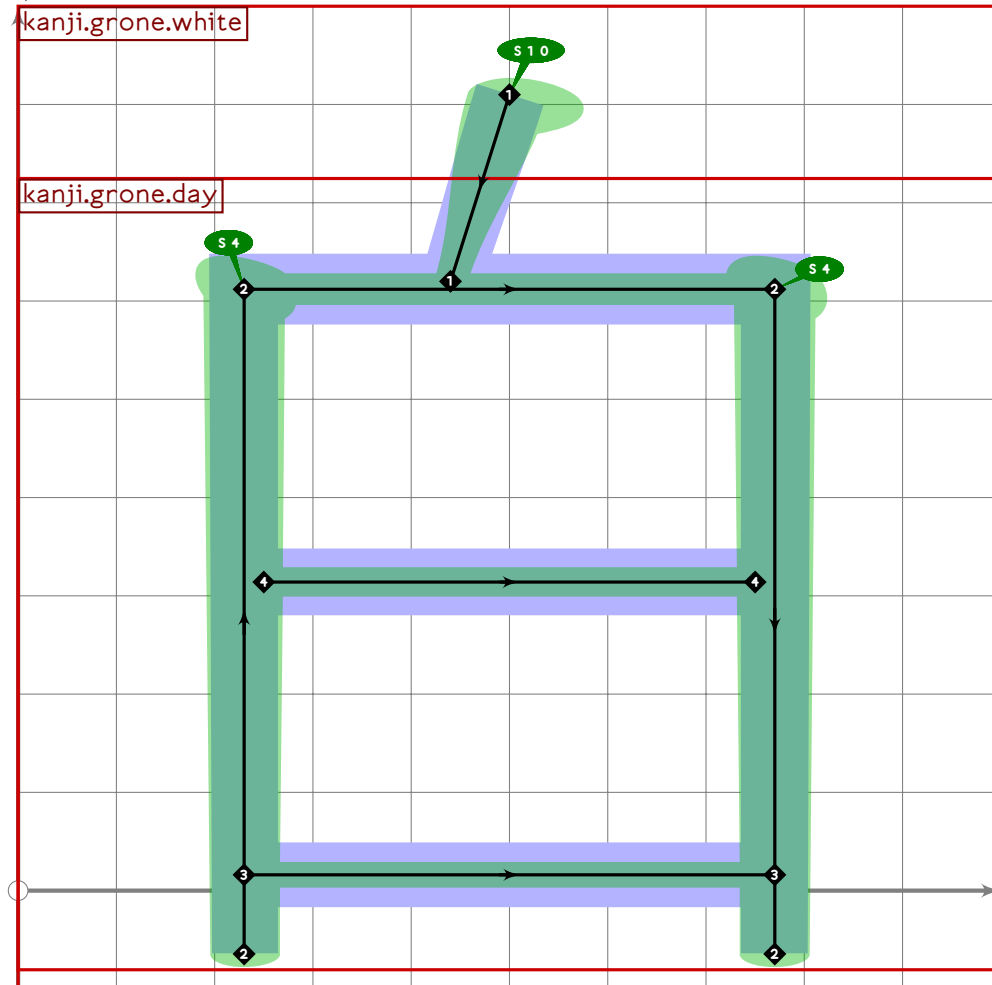
634
635 vardef tsu_curve.kanji.grone.wheel =
636   add_proof_box("kanji.grone.wheel");
637   bp[sp]:=(120,690)-(880,690);
638   bq[sp]:=(1.6,1.6)-(1.6,1.6);
639   bo_serif[sp][1]:=9;
640   bp[sp*1]:=(500,820)-(500,50);
641   bq[sp*1]:=(1.6,1.6)-(1.6,1.6);
642   bo_serif[sp*1][0]:=10;
643   sp:=sp*2;
644   build_kanji.box((200,560),(800,280));
645   bp[sp]:=(200,420)-(800,420);
646   bq[sp]:=(1.6,1.6)-(1.6,1.6);
647   bp[sp*1]:=(80,130)-(920,130);

```

```

648 bq[sp*1]:=(1.6,1.6)-(1.6,1.6);
649 bo_serif[sp*1][1]:=9;
650 sp:=sp*2;
651 bo_size[sp-6]:=85;
652 bo_size[sp-5]:=85;
653 bo_size[sp-4]:=85;
654 bo_size[sp-3]:=85;
655 bo_size[sp-2]:=85;
656 bo_size[sp-1]:=85;
657 endif;

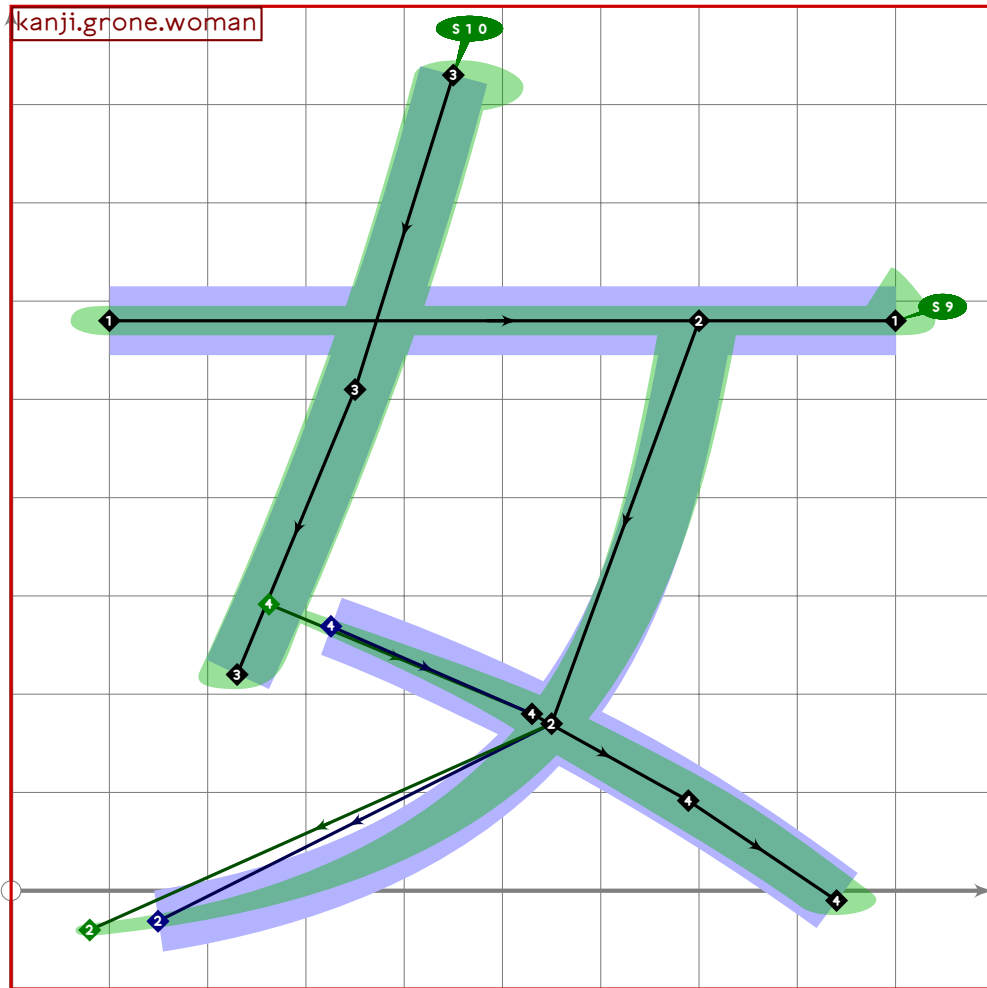
```



```

658
659 vardef tsu_curve.kanji.grone.white =
660   add_proof_box("kanji.grone.white");
661   bp[sp]:=(500,810)-(440,620);
662   bq[sp]:=(1.7,1.7)-(1,1);
663   bo_serif[sp][0]:=10;
664   sp:=sp*1;
665   tsu_xform(identity yscaled (620/770))(tsu_curve.kanji.grone.day);
666 endif;

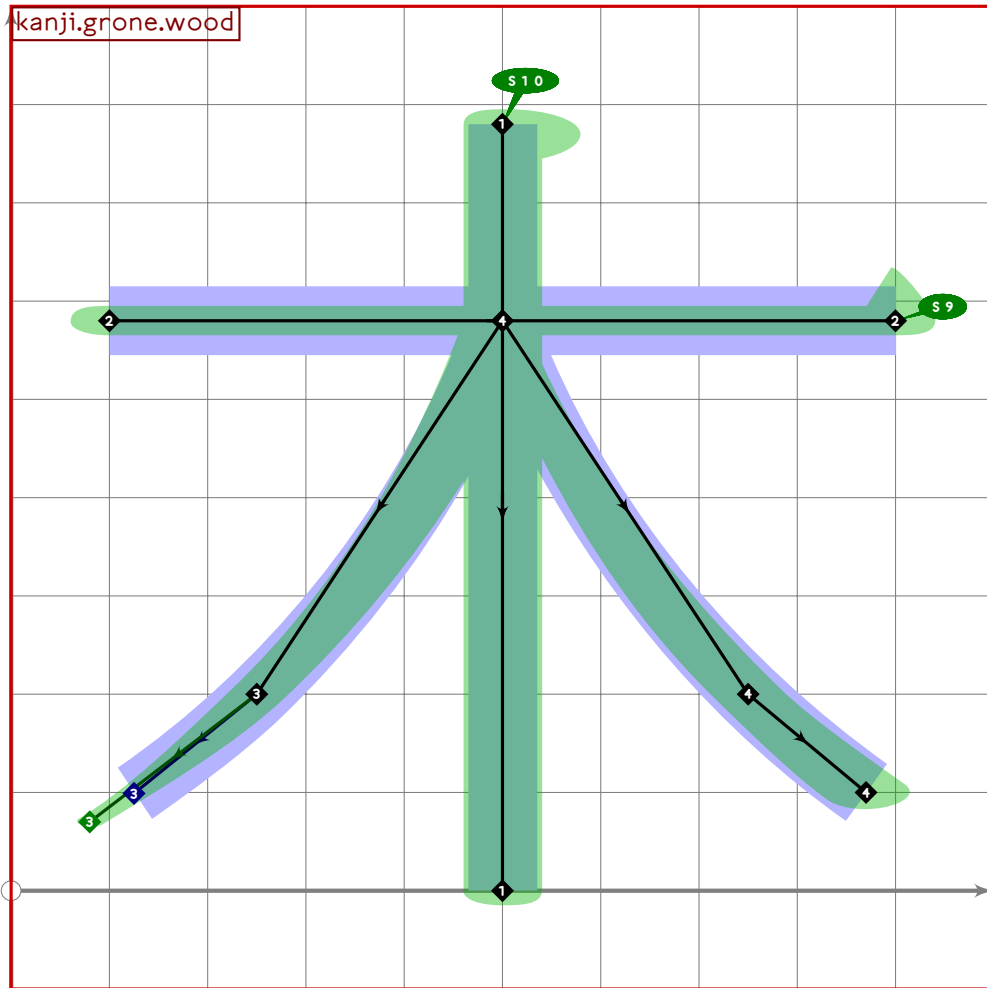
```



```

667
668 vardef tsu_curve.kanji.grone.woman =
669   add_proof_box("kanji.grone.woman");
670   bp[sp]:=(100,580)-(900,580);
671   bq[sp]:=(1.6,1.6)-(1.6,1.6);
672   bo_serif[sp][1]:=9;
673   bp[sp*1]:=(700,580){curl 0}..(550,170)..{curl 0.3}(80,-40);
674   bq[sp*1]:=(1.6,1.6)-(1.4,1.4)-(0.94,0.94);
675   bp[sp*2]:=(450,830)..(350,510)..(230,220);
676   bq[sp*2]:=(1.6,1.6)-(1.6,1.6)-(1.6,1.6);
677   bo_serif[sp*2][0]:=10;
678   bp[sp*3]:=(point 1.75 of bp[sp*2])..(530,180)..(840,-10);
679   bp[sp*3]:=insert_nodes(bp[sp*3])(1.5);
680   bq[sp*3]:=(0.85,0.85)-(1.5,1.5)-(1.8,1.8)-(1.6,1.6);
681   sp:=sp*4;
682 enddef;

```

```

683
684 vardef tsu_curve.kanji.grone.wood =
685   add_proof_box("kanji.grone.wood");
686   bp[sp]:=(500,780)-(500,0);
687   bq[sp]:=(1.6,1.6)-(1.6,1.6);
688   bo_serif[sp][0]:=10;
689   bp[sp*1]:=(100,580)-(900,580);
690   bq[sp*1]:=(1.6,1.6)-(1.6,1.6);
691   bo_serif[sp*1][1]:=9;
692   bp[sp*2]:=(500,580)..(250,200)..(80,70);
693   bq[sp*2]:=(1.6,1.6)..(1.3,1.3)..(0.9,0.9);
694   bp[sp*3]:=(500,580)..(750,200)..(870,100);
695   bq[sp*3]:=(1.1,1.1)..(1.5,1.5)..(1.7,1.7);
696   sp:=sp*4;
697 enddef;

```

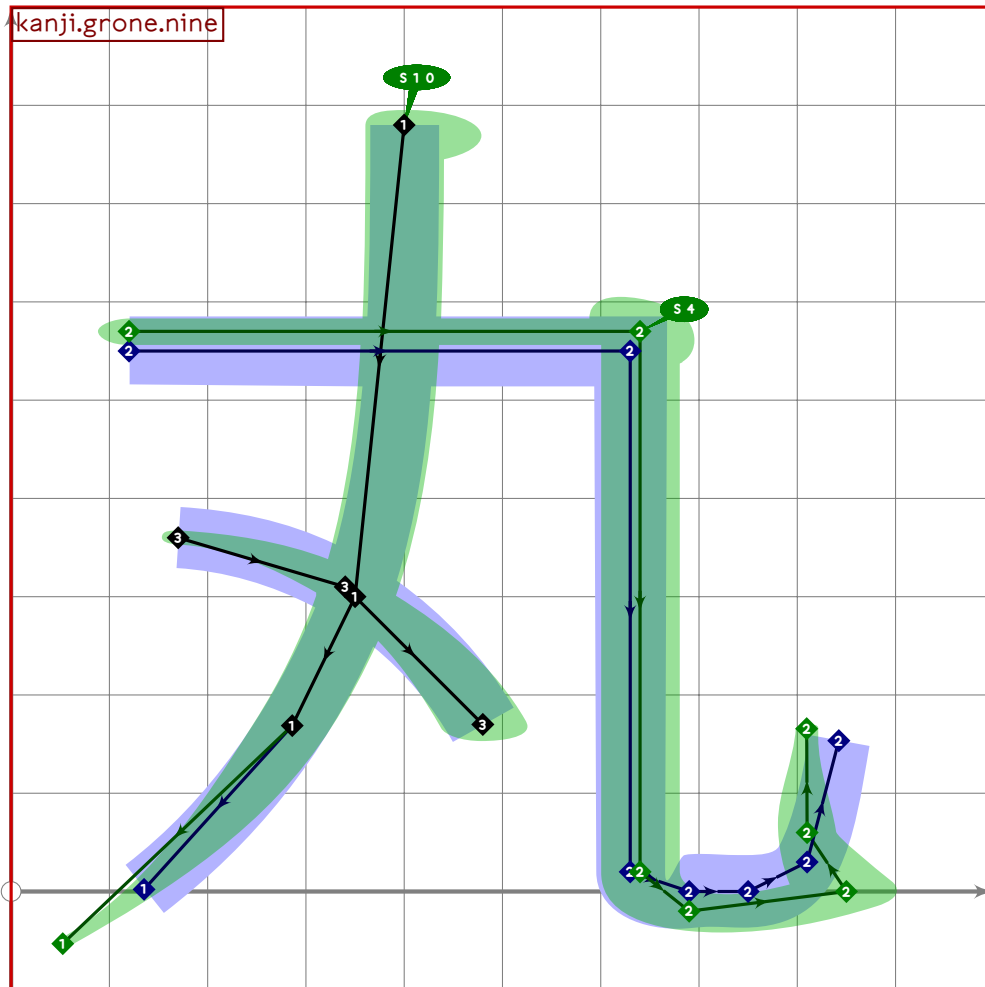
gradetwo.mp

1 %
2 % Grade Two kanji used on more than one page
3 % Copyright (C) 2011 Matthew Skala
4 %

5-29 [Standard copyright notice]

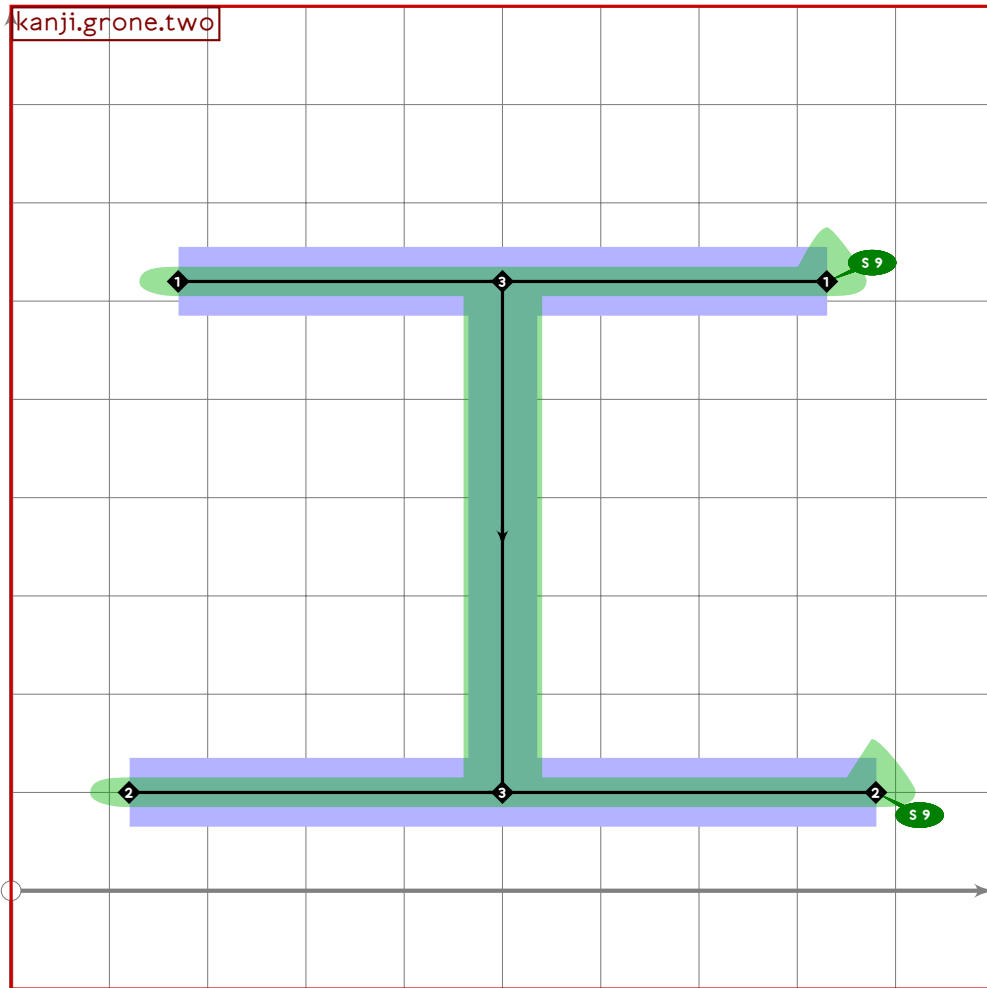
30

31



32

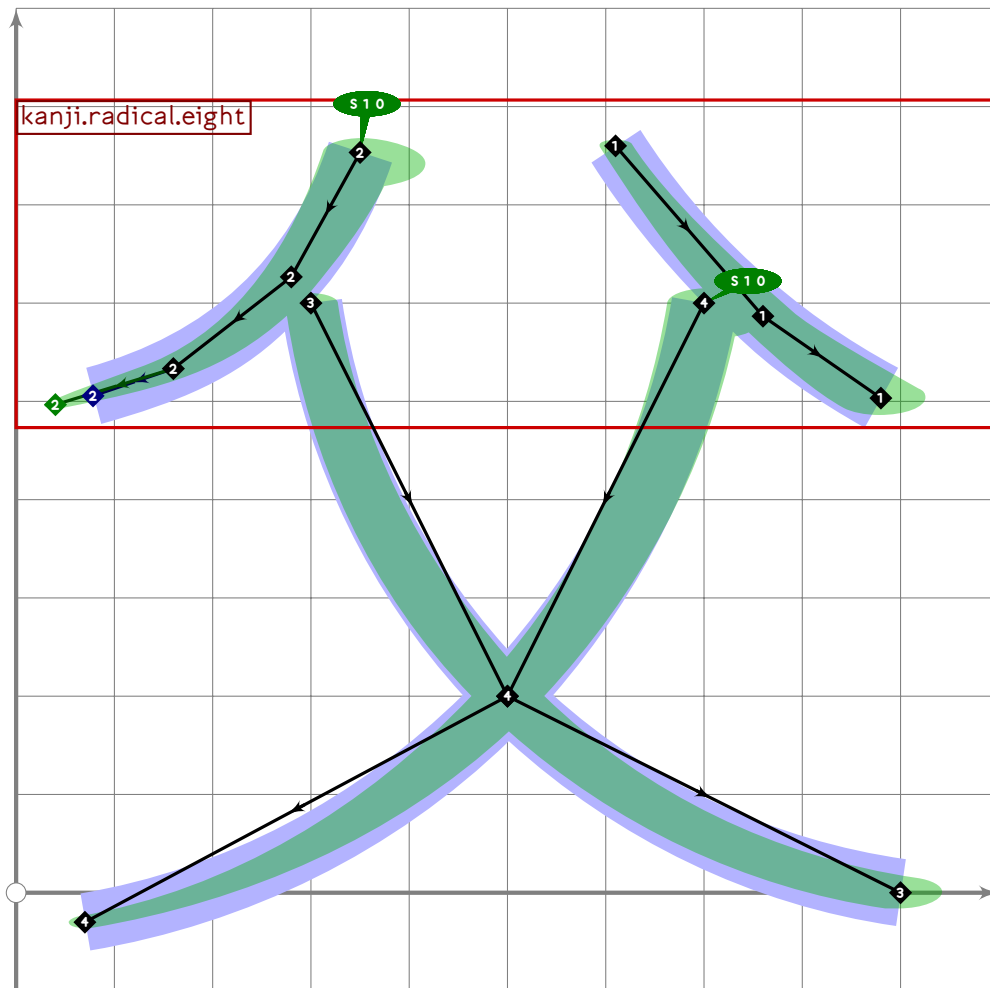
```
33 vardef tsu_curve.kanji.grtwo.circle =  
34   add_proof_box("kanji.grtwo.circle");  
35   tsu_curve.kanji.grone.nine;  
36   bp[sp]:=(170,360)..(340,310)..(480,170);  
37   bq[sp]:=(1,1)-(1.4,1.4)-(1.7,1.7);  
38   sp:=sp*1;  
39 enddef;
```



```

40
41 vardef tsu_curve.kanji.grtwo.craft =
42   add_proof_box("kanji.grtwo.craft");
43   tsu_curve.kanji.grone.two;
44   bp[sp]:=(point 0.5 of bp[sp-2])-(point 0.5 of bp[sp-1]);
45   bq[sp]:=(1.6,1.6)-(1.6,1.6);
46   sp:=sp*1;
47 enddef;

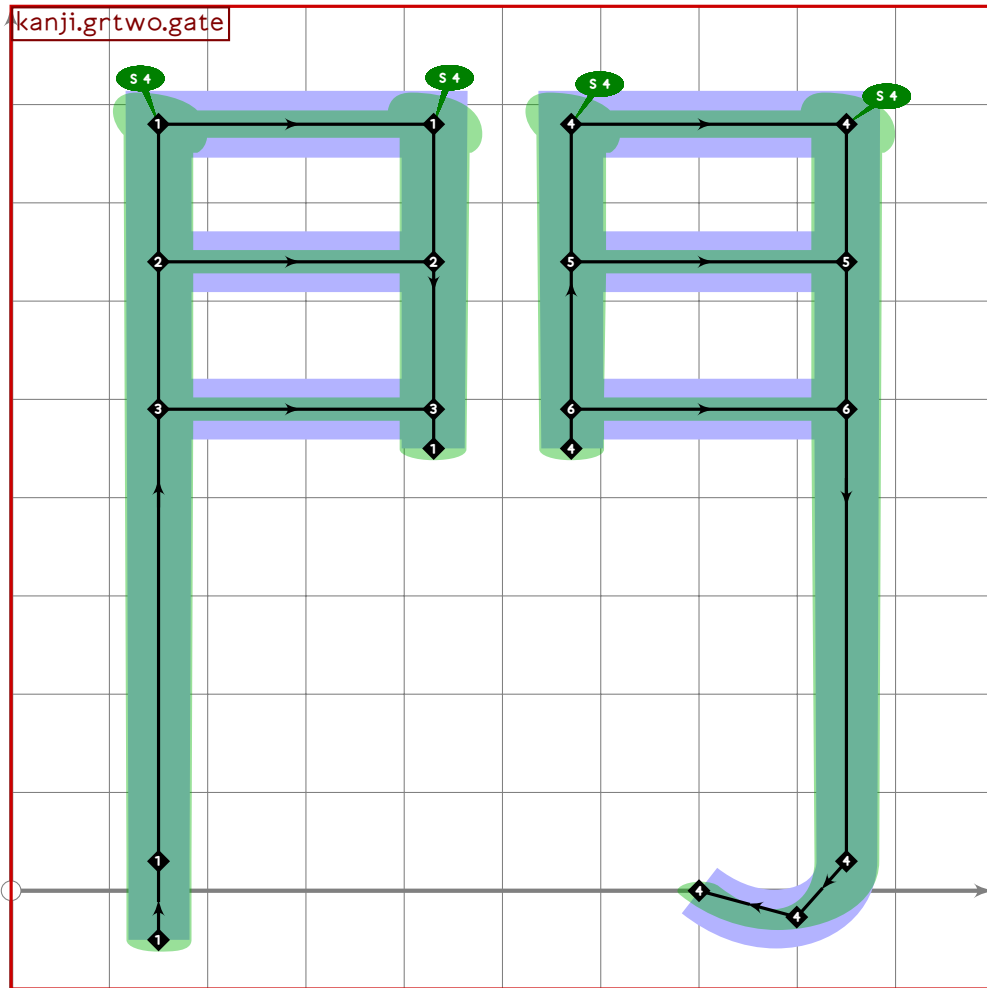
```



```

48
49 vardef tsu_curve.kanji.grtwo.father =
50   add_proof_box("kanji.grtwo.father");
51   build_kanji.level(build_kanji.tb(700,300)
52     (tsu_xform(identity shifted (0,180))(tsu_curve.kanji.radical.eight))
53     (bp[sp]:=(300,600)..(500,200)..(900,0);
54     bq[sp]:=(1.3,1.3)-(1.5,1.5)-(1.7,1.7);
55     bp[sp+1]:=(700,600)..(500,200)..(70,-30);
56     bq[sp+1]:=(1.6,1.6)-(1.5,1.5)-(1,1);
57     bo_serif[sp+1][0]:=10;
58     sp:=sp+2;));
59 enddef;

```



```

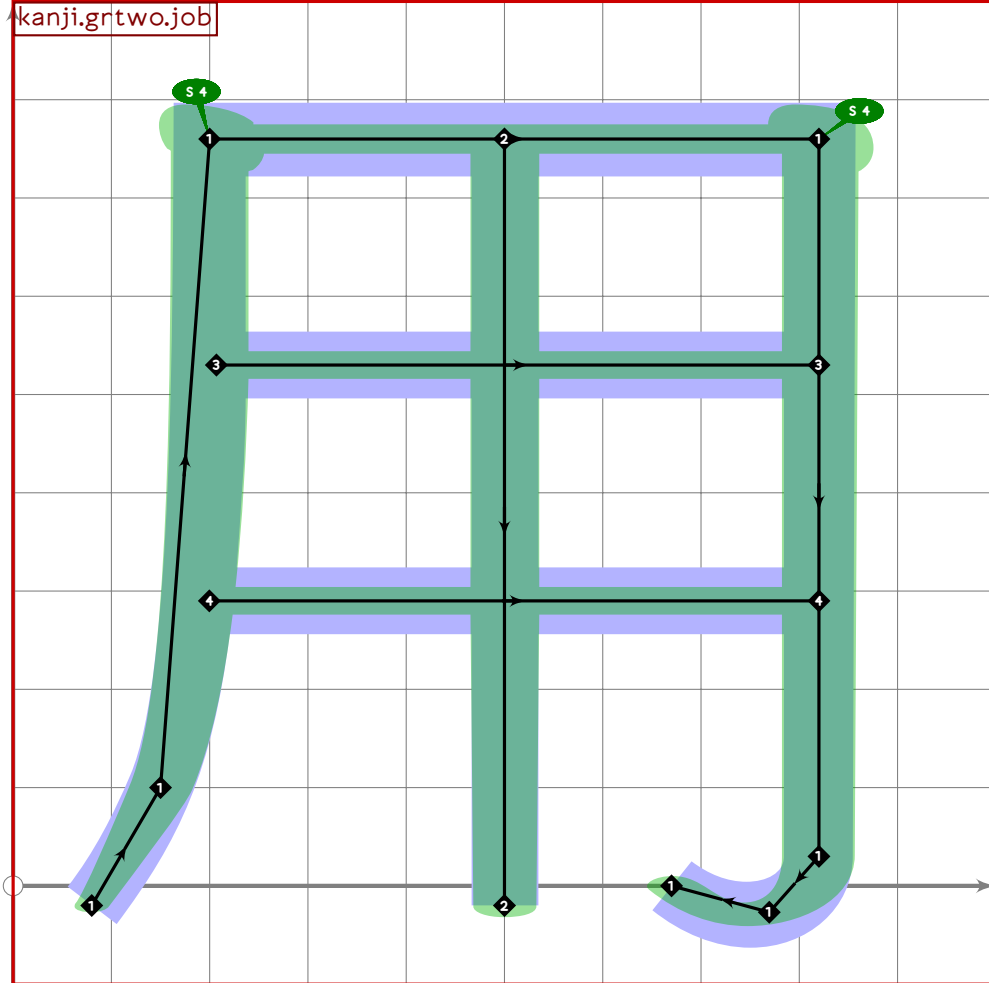
60
61 vardef tsu_curve.kanji.grtwo.gate =
62   add_proof_box("kanji.grtwo.gate");
63   bp[sp]:=(150,50)-(150,30)-(150,780)-(430,780)-(430,450);
64   bq[sp]:=(1.5,1.5)-(1.5,1.5)-(1.6,1.6)-(1.6,1.6)-(1.5,1.5);
65   bo_tip[sp][2]:=1;
66   bo_tip[sp][3]:=1;
67   bo_serif[sp][2]:=4;
68   bo_serif[sp][3]:=4;
69   bp[sp*1]:=(150,640)-(430,640);
70   bq[sp*1]:=(1.5,1.5)-(1.5,1.5);
71   bp[sp*2]:=(150,490)-(430,490);
72   bq[sp*2]:=(1.5,1.5)-(1.5,1.5);
73   bp[sp*3]:=(570,450)-(570,780)-(850,780);
74   bq[sp*3]:=(1.5,1.5)-(1.6,1.6)-(1.6,1.6);
75   build_kanji.add_jtail(sp*3);
76   bo_tip[sp*3][1]:=1;
77   bo_tip[sp*3][2]:=1;
78   bo_serif[sp*3][1]:=4;
79   bo_serif[sp*3][2]:=4;
80   bp[sp*4]:=(570,640)-(850,640);

```

```

81 bq[sp+4]:=(1.5,1.5)-(1.5,1.5);
82 bp[sp+5]:=(570,490)-(850,490);
83 bq[sp+5]:=(1.5,1.5)-(1.5,1.5);
84 for i=sp upto sp+6: bo_size[i]:=90; endfor;
85 sp:=sp+6;
86 enddef;

```



```

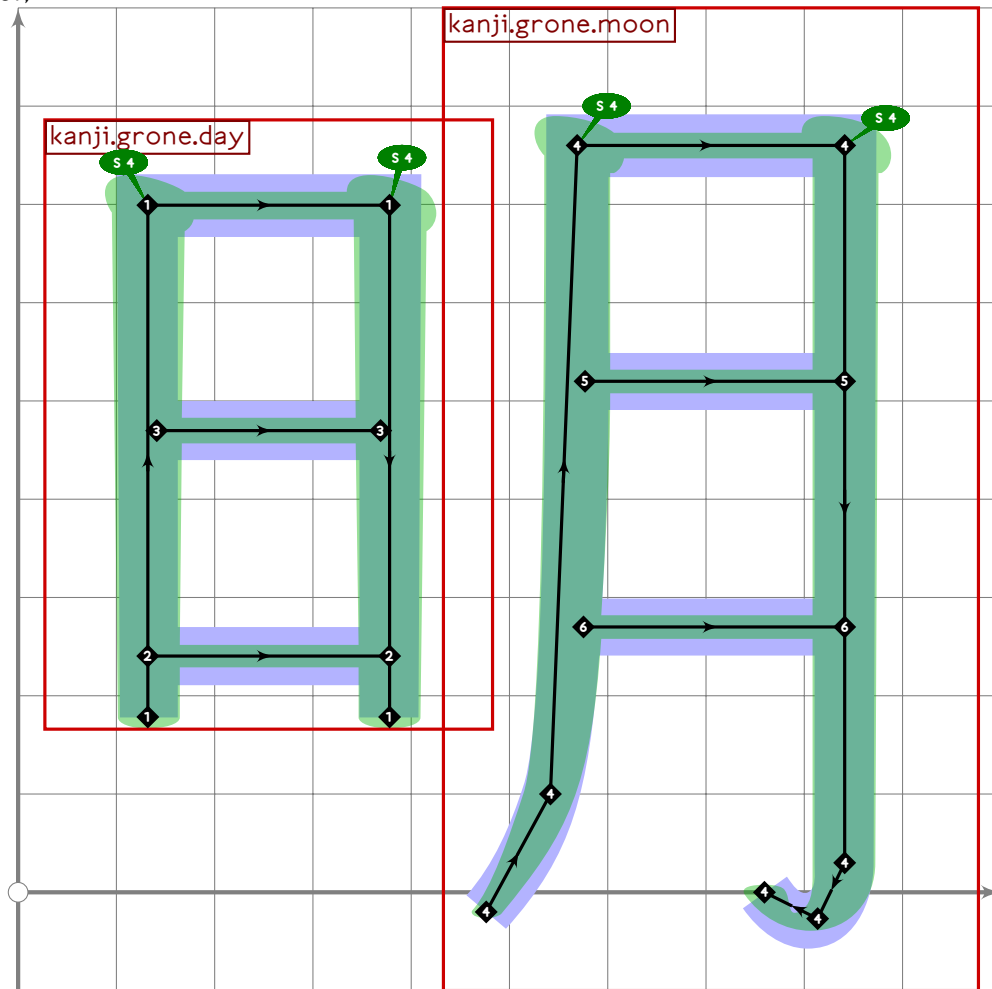
87
88 vardef tsu_curve.kanji.grtwo.job =
89   add_proof_box("kanji.grtwo.job");
90   bp[sp]:=(80,20)..(150,100)..{up}{(200,760)}{right}{-(820,760)};
91   bq[sp]:=(1,1)-(1.4,1.4)-(1.6,1.6)-(1.6,1.6);
92   build_kanji.add_jtail(sp);
93   bo_tip[sp][2]:=0.8;
94   bo_tip[sp][3]:=1;
95   bo_serif[sp][2]:=4;
96   bo_serif[sp][3]:=4;
97   bp[sp+1]:=(500,760)-(500,20);
98   bq[sp+1]:=(1.5,1.5)-(1.4,1.4);
99   bp[sp+2]:=(bp[sp] intersectionpoint ((0,530)-(1000,530)))-(820,530);
100  bq[sp+2]:=(1.5,1.5)-(1.5,1.5);
101  bp[sp+3]:=(bp[sp] intersectionpoint ((0,290)-(1000,290)))-(820,290);

```

```

102 bq[sp*3]:=(1.5,1.5)-(1.5,1.5);
103 sp:=sp*4;
104 enddef;

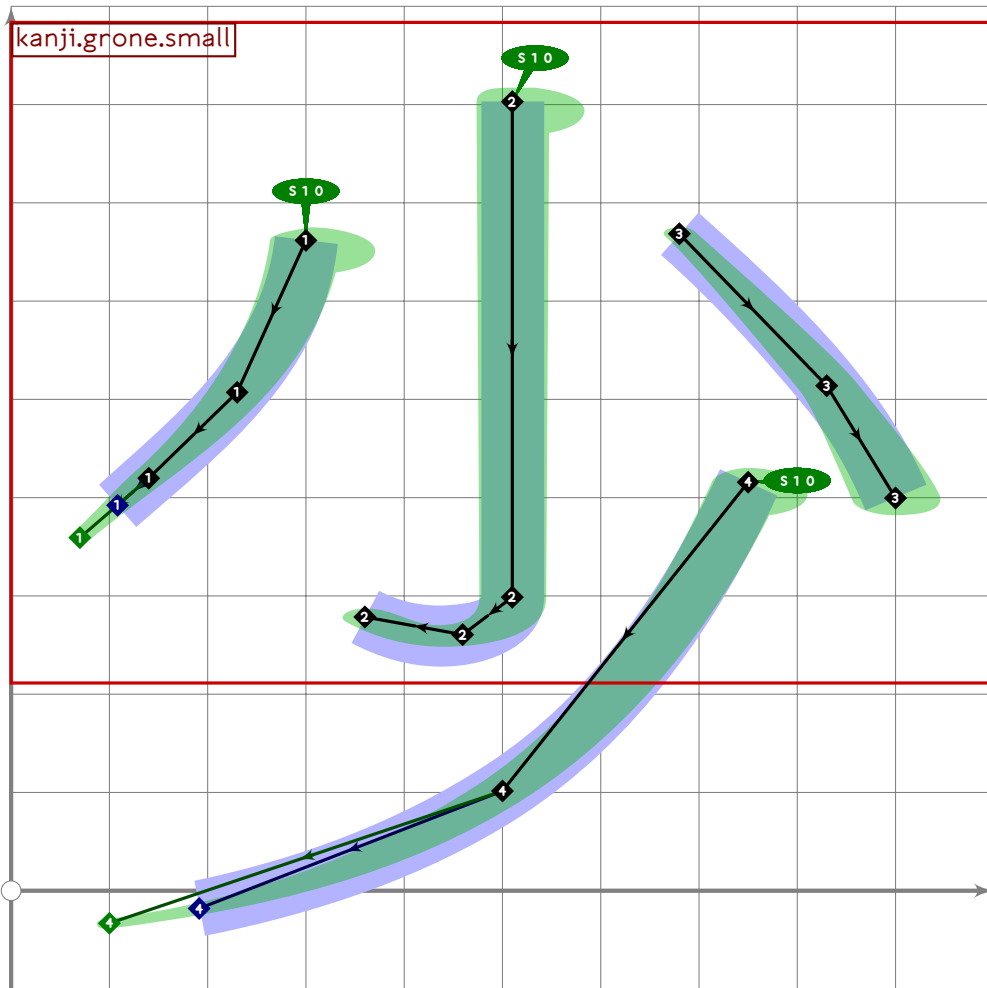
```



```

105
106 vardef tsu_curve.kanji.grtwo.light =
107   add_proof_box("kanji.grtwo.light");
108   build_kanji.level(build_kanji.lr(460,0)
109     (tsu_curve.kanji.leftrad.day)
110     (tsu_curve.kanji.grone.moon));
111 enddef;

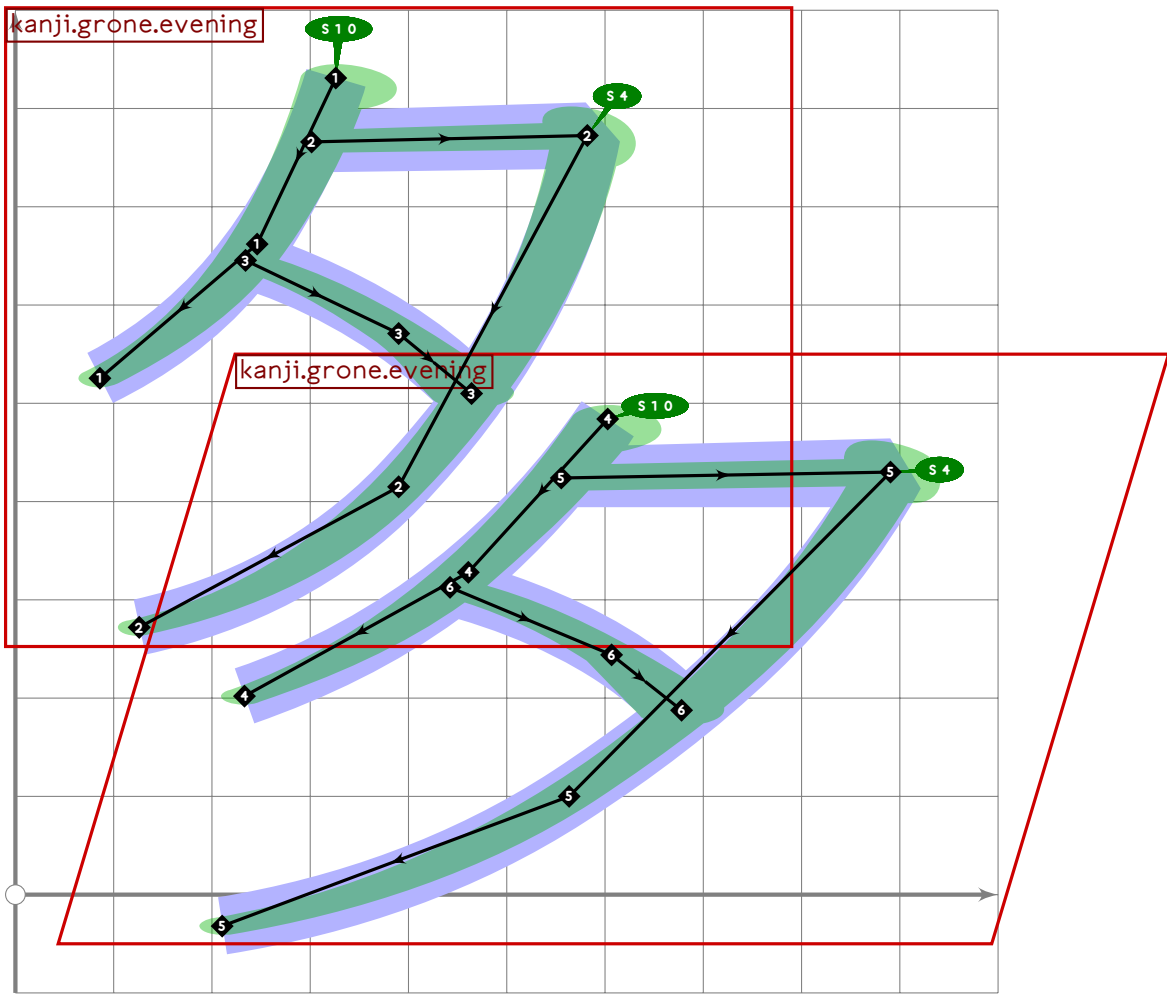
```



```

112
113 vardef tsu_curve.kanji.grtwo.little =
114   add_proof_box("kanji.grtwo.little");
115   build_kanji.level(build_kanji.tb(350,210)
116     (tsu_curve.kanji.grone.small)
117     (
118       bp[sp]:=(750,780){curl 0.1}..(500,220)..(100,-20);
119       bq[sp]:=(1.6,1.6)-(1.4,1.4)-(0.9,0.9);
120       bo_serif[sp][0]:=10;
121       sp:=sp*1;
122     ));
123 enddef;

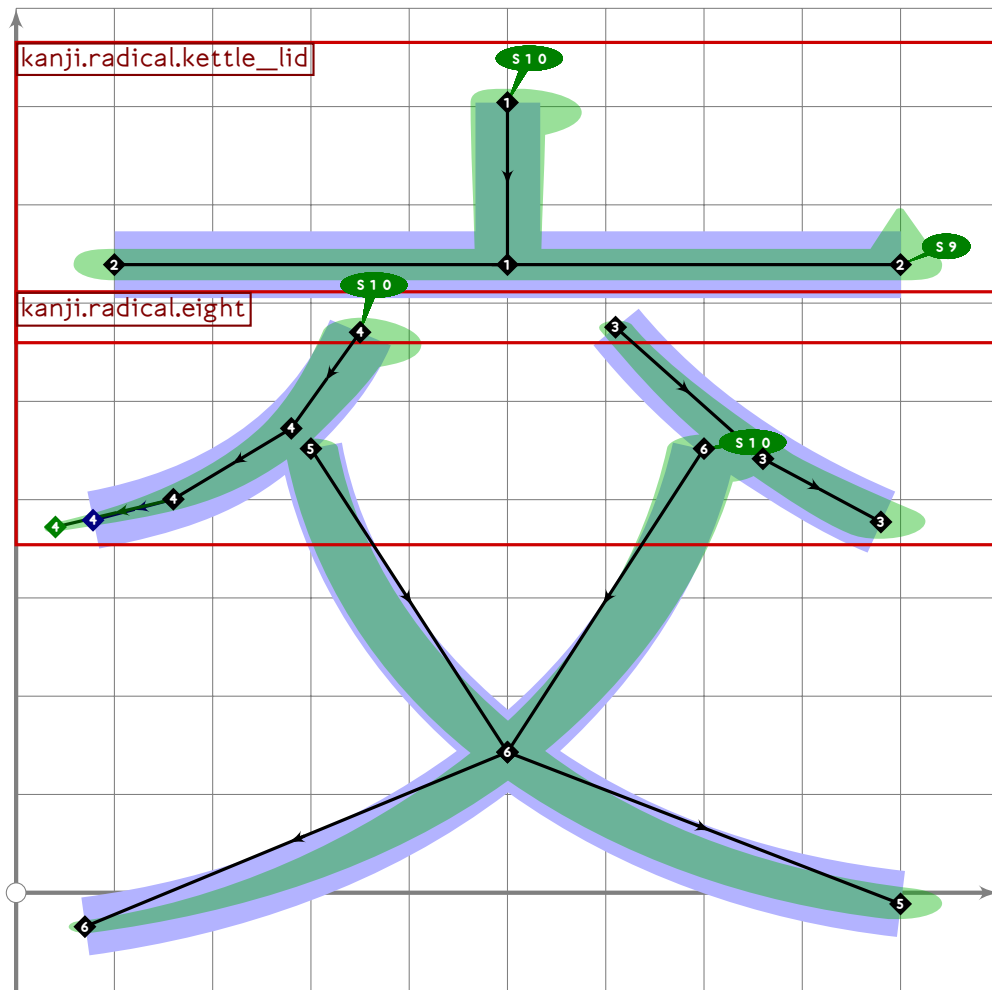
```

```

124
125 vardef tsu_curve.kanji.grtwo.many =
126   add_proof_box("kanji.grtwo.many");
127   tsu_xform(identity shifted (-50,850) xyscaled (0.8,0.65) shifted (30,870))
128     (tsu_curve.kanji.grone.evening);
129   tsu_xform(identity shifted (-50,50)
130     xyscaled (0.95,0.6) slanted 0.3 shifted (100,20))
131     (tsu_curve.kanji.grone.evening);
132 enddef;

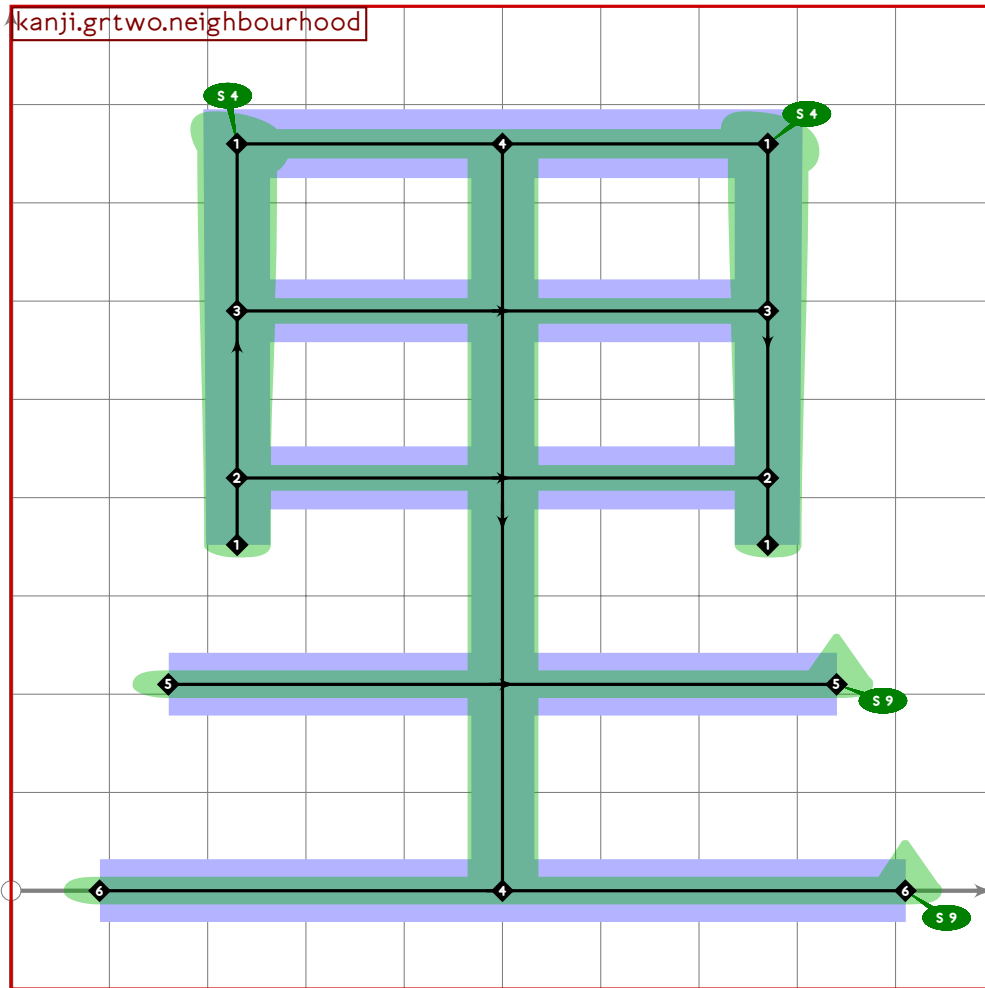
```



```

133
134 vardef tsu_curve.kanji.grtwo.mix =
135   add_proof_box("kanji.grtwo.mix");
136   build_kanji.level(build_kanji.tb(610,70)
137     (tsu_curve.kanji.radical.kettle_lid)
138     (tsu_curve.kanji.grtwo.father));
139 enddef;

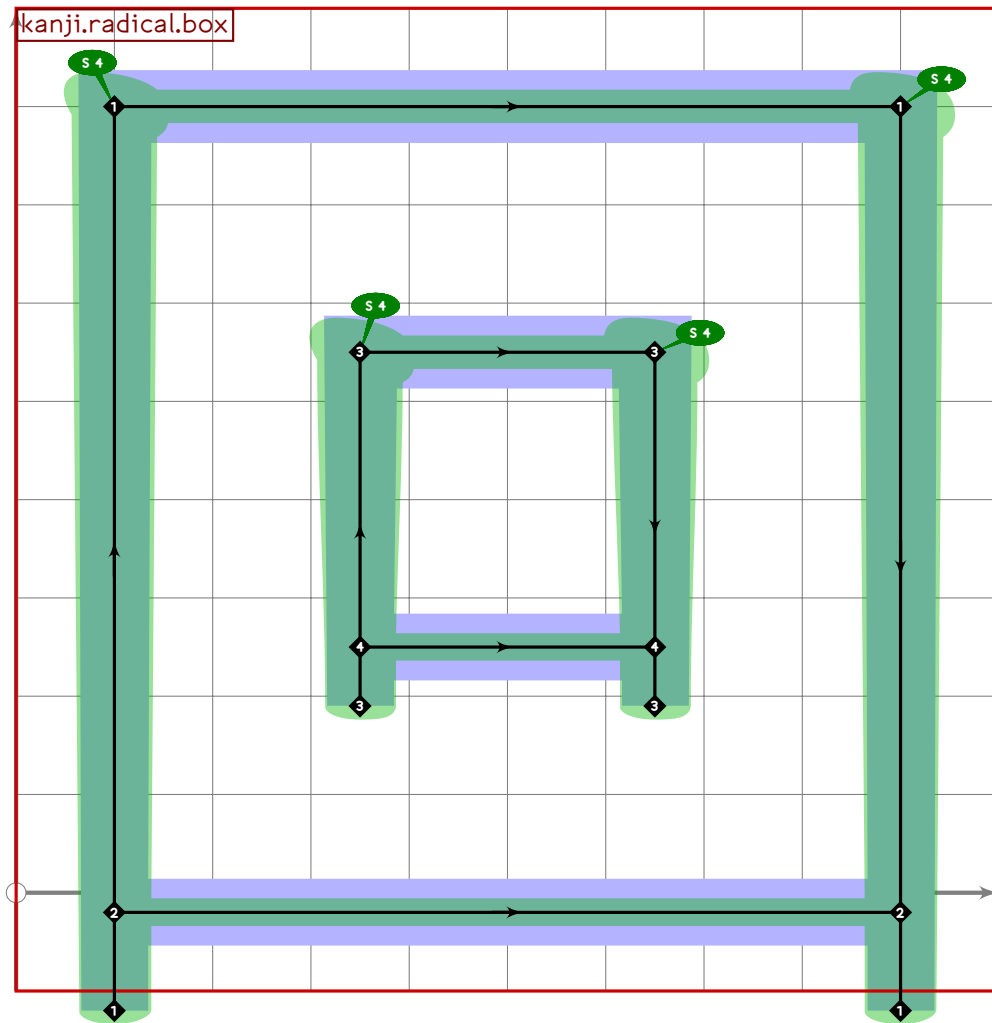
```



```

140
141 vardef tsu_curve.kanji.grtwo.neighbourhood =
142   add_proof_box("kanji.grtwo.neighbourhood");
143   build_kanji.box((230,760),(770,420));
144   bp[sp]:=(230,590)-(770,590);
145   bq[sp]:=(1.5,1.5)-(1.5,1.5);
146   bp[sp*1]:=(500,760)-(500,0);
147   bq[sp*1]:=(1.6,1.6)-(1.5,1.5);
148   bp[sp*2]:=(160,210)-(840,210);
149   bq[sp*2]:=(1.6,1.6)-(1.6,1.6);
150   bo_serif[sp*2][1]:=9;
151   bp[sp*3]:=(90,0)-(910,0);
152   bq[sp*3]:=(1.6,1.6)-(1.6,1.6);
153   bo_serif[sp*3][1]:=9;
154   for i=sp*3 upto sp*3: bo_size[i]:=93; endfor;
155   sp:=sp*4;
156 enddef;

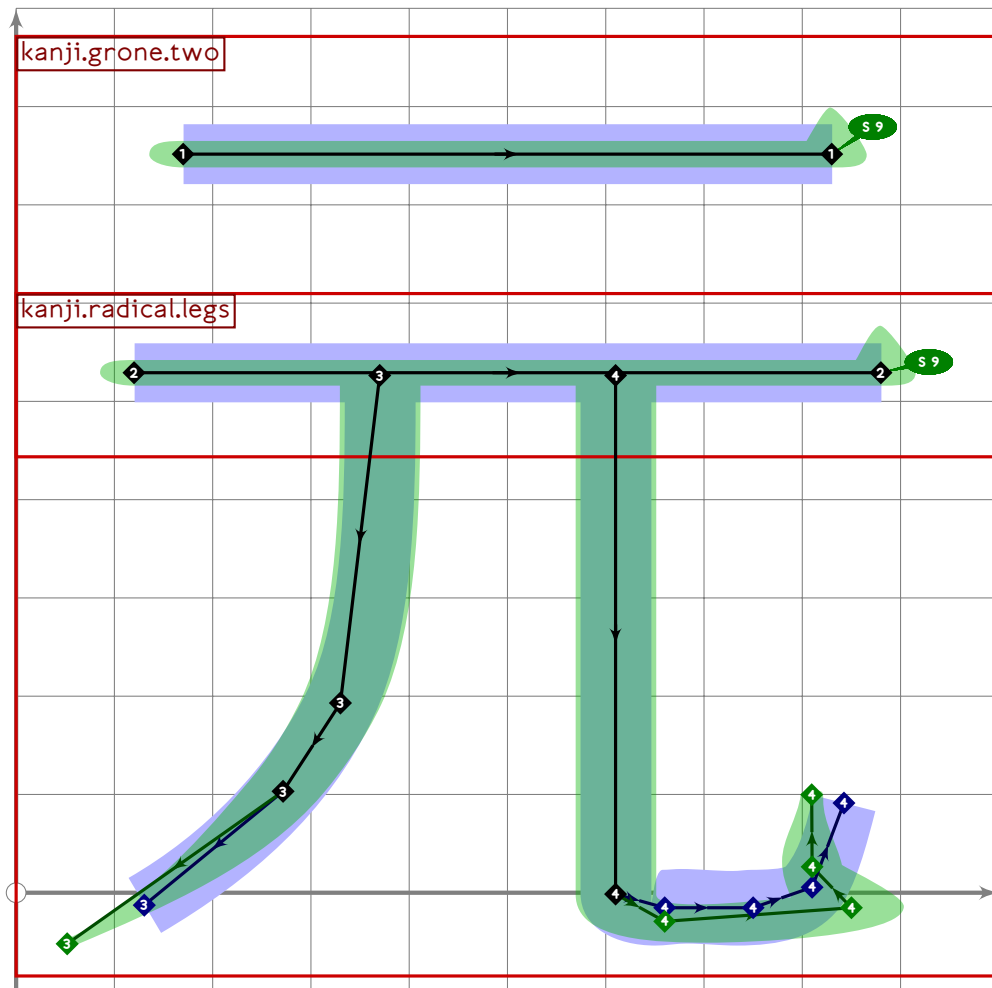
```



```

157
158 vardef tsu_curve.kanji.grtwo.occurrences =
159   add_proof_box("kanji.grtwo.occurrences");
160   tsu_curve.kanji.radical.box;
161   build_kanji.box((350,550),(650,250));
162 enddef;

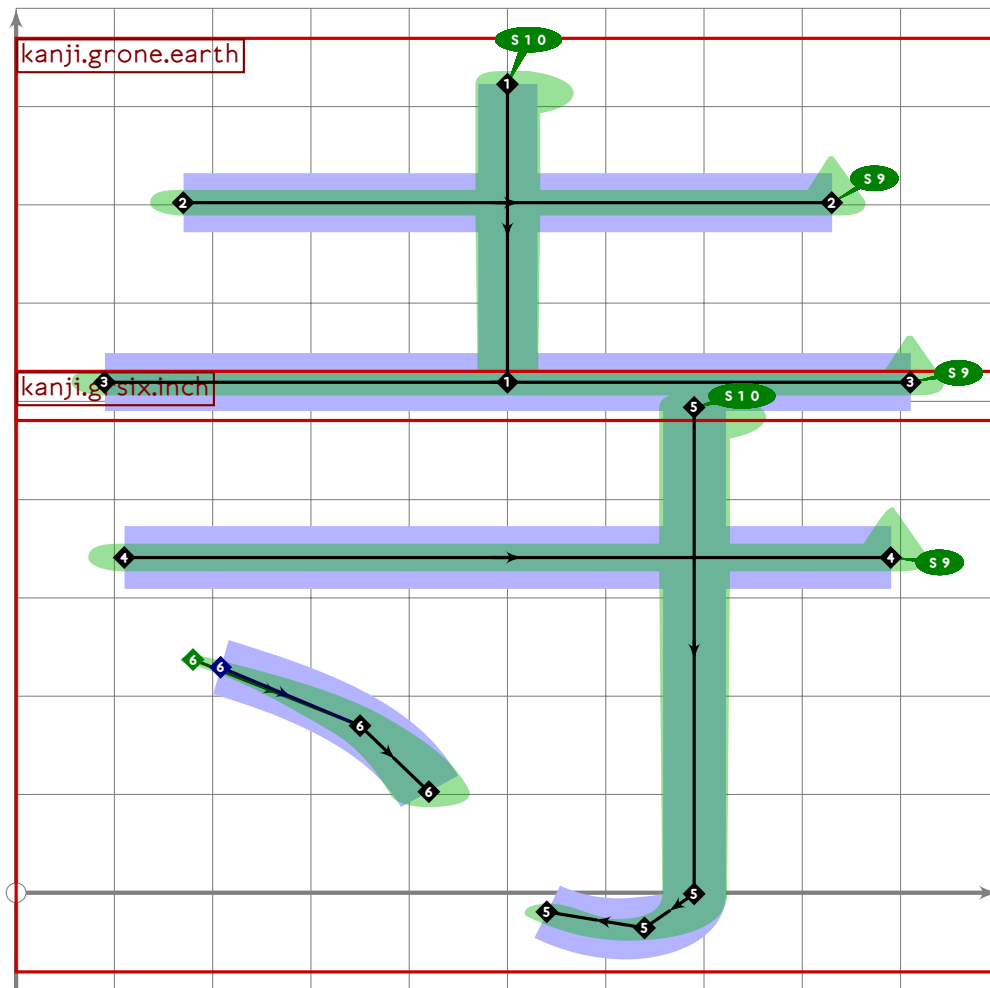
```



```

163
164 vardef tsu_curve.kanji.grtwo.origin =
165   add_proof_box("kanji.grtwo.origin");
166   build_kanji.tb(520,110)
167     (tsu_curve.kanji.grone.two)
168     (tsu_curve.kanji.radical.legs);
169 enddef;

```



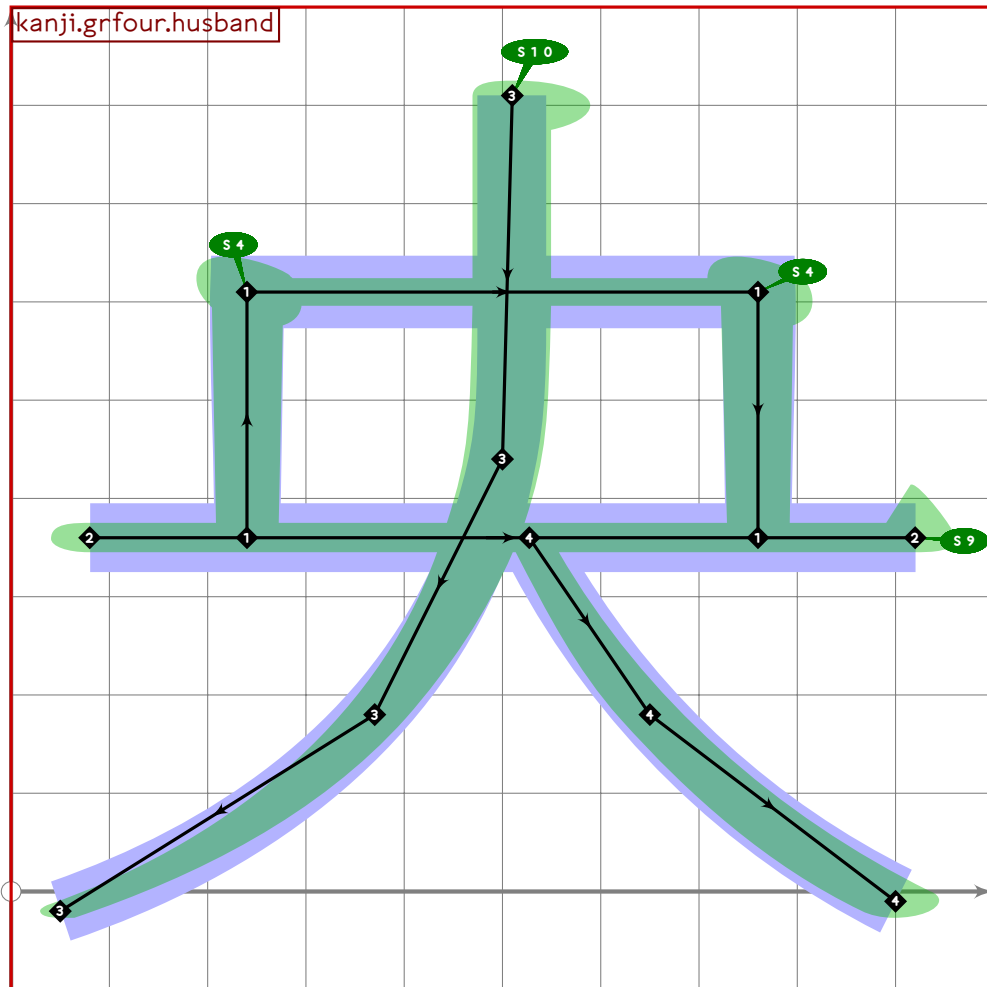
```

170
171 vardef tsu_curve.kanji.grtwo.temple =
172   add_proof_box("kanji.grtwo.temple");
173   build_kanji.tb(500,0)
174     (tsu_curve.kanji.grone.earth)
175     (tsu_curve.kanji.grsix.inch;
176     bp[sp-2]:=((point 0 of bp[sp-2])*(0,60))
177     -(subpath (1,infinity) of bp[sp-2]));
178 enddef;

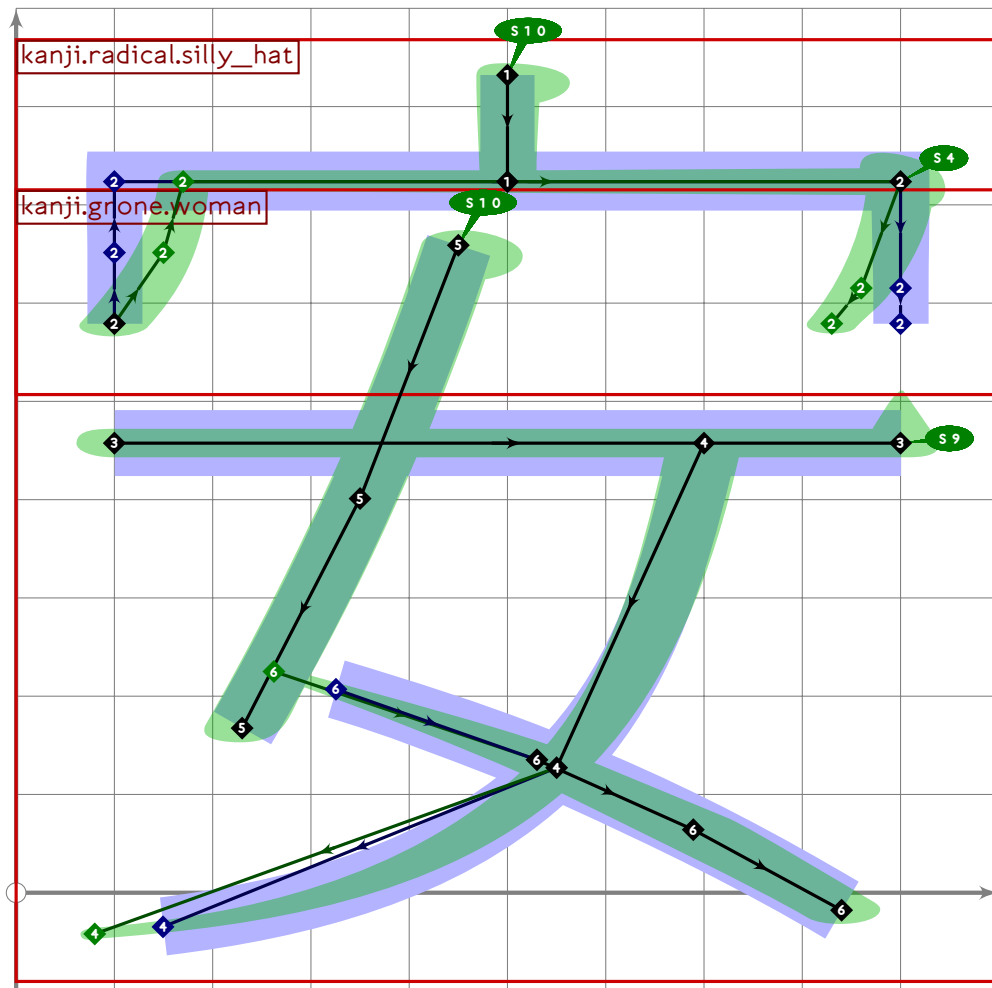
```

gradethree.mp

```
1 %  
2 % Grade Three kanji used on more than one page  
3 % Copyright (C) 2011 Matthew Skala  
4 %  
5-29 [Standard copyright notice]  
30  
31
```



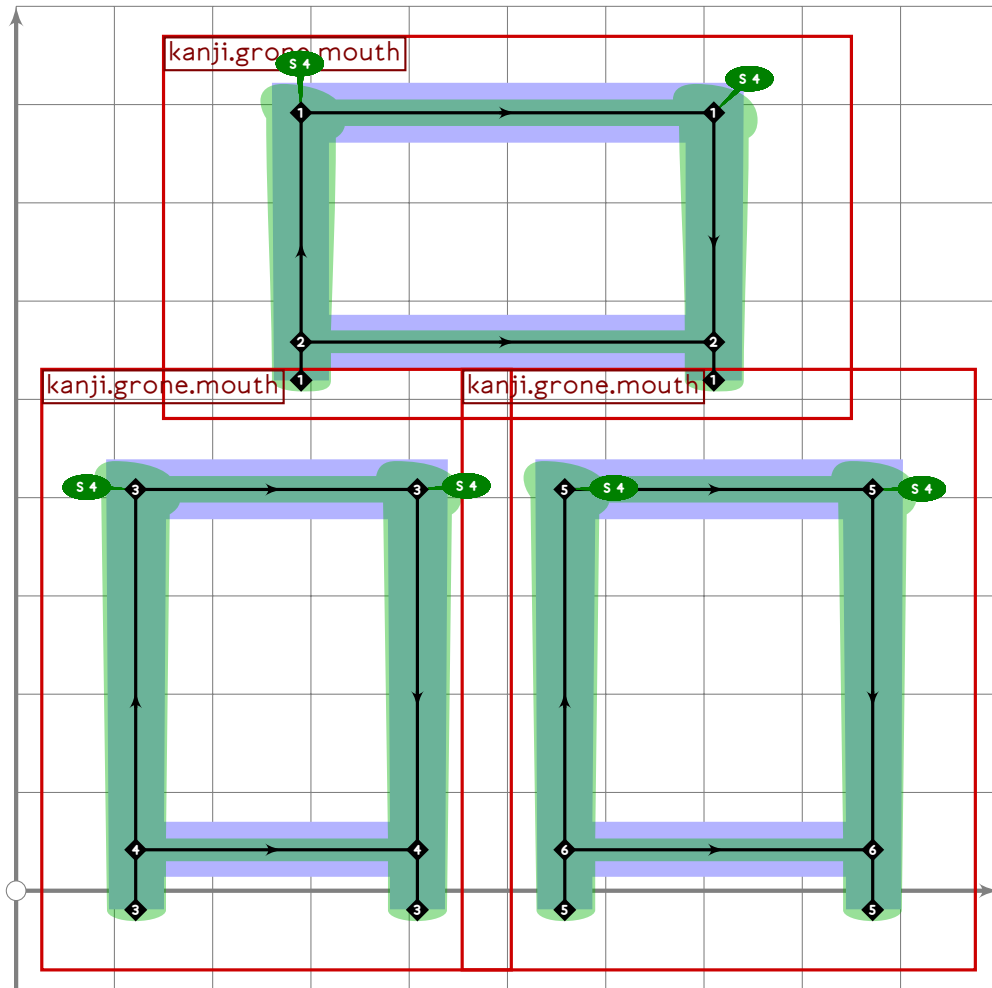
```
32  
33 vardef tsu_curve.kanji.grthree.centre =  
34   add_proof_box("kanji.grthree.centre");  
35   tsu_curve.kanji.grfour.husband;  
36   bp[sp-4]:=(240,360)-(240,610)-(760,610)-(760,360);  
37   bq[sp-4]:=(1.4,1.4)-(1.5,1.5)-(1.5,1.5)-(1.4,1.4);  
38   bo_serif[sp-4][1]:=4;  
39   bo_serif[sp-4][2]:=4;  
40   bo_tip[sp-4][1]:=1;  
41   bo_tip[sp-4][2]:=1;  
42 enddef;
```

```

51
52 vardef tsu_curve.kanji.grthree.easy =
53   add_proof_box("kanji.grthree.easy");
54   build_kanji.tb(600,150)
55     (tsu_curve.kanji.radical.silly_hat)
56     (tsu_curve.kanji.grone.woman);
57 enddef;

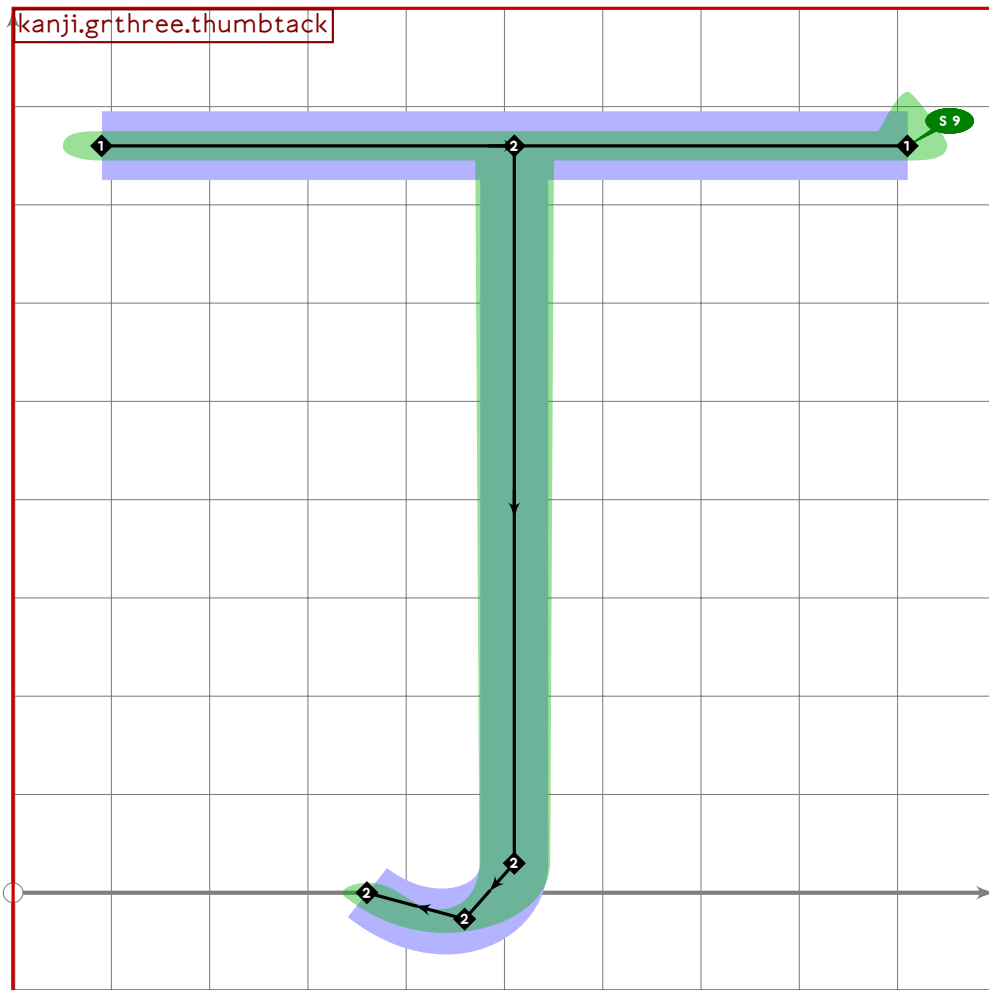
```



```

58
59 vardef tsu_curve.kanji.grthree.goods =
60   add_proof_box("kanji.grthree.goods");
61   build_kanji.level(build_kanji.tricluster(0.7)
62     (tsu_curve.kanji.grone.mouth)
63     (tsu_curve.kanji.grone.mouth)
64     (tsu_curve.kanji.grone.mouth));
65 enddef;

```



```

66
67 vardef tsu_curve.kanji.grthree.thumbtack =
68   add_proof_box("kanji.grthree.thumbtack");
69   bp[sp]:=(90,760)-(910,760);
70   bq[sp]:=(1.6,1.6)-(1.6,1.6);
71   bo_serif[sp][1]:=9;
72   bp[sp*1]:=(510,760);
73   bq[sp*1]:=(1.6,1.6);
74   build_kanji.add_jtail(sp*1);
75   sp:=sp*2;
76 enddef;

```

gradefour.mp

1 %

2 % Grade Four kanji used on more than one page

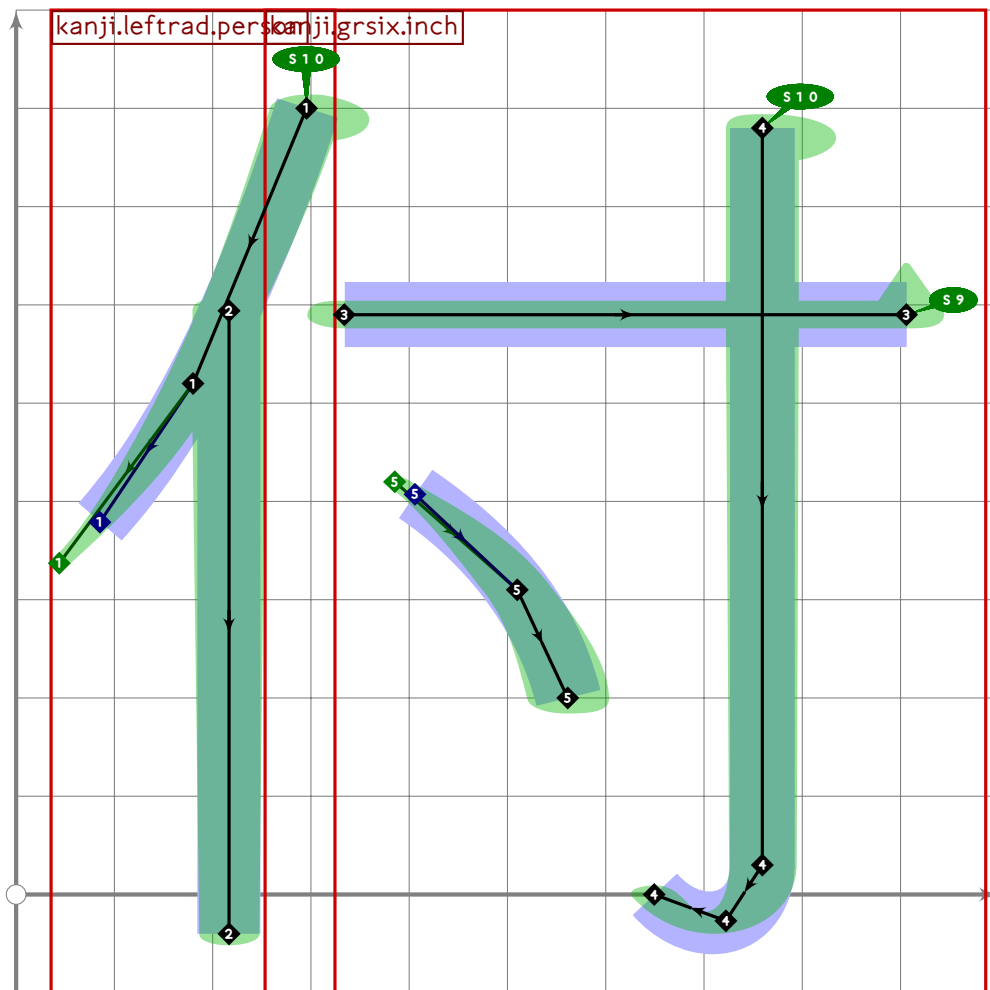
3 % Copyright (C) 2011 Matthew Skala

4 %

5-29 [Standard copyright notice]

30

31



32

33 vardef tsu_curve.kanji.grfour.attach =

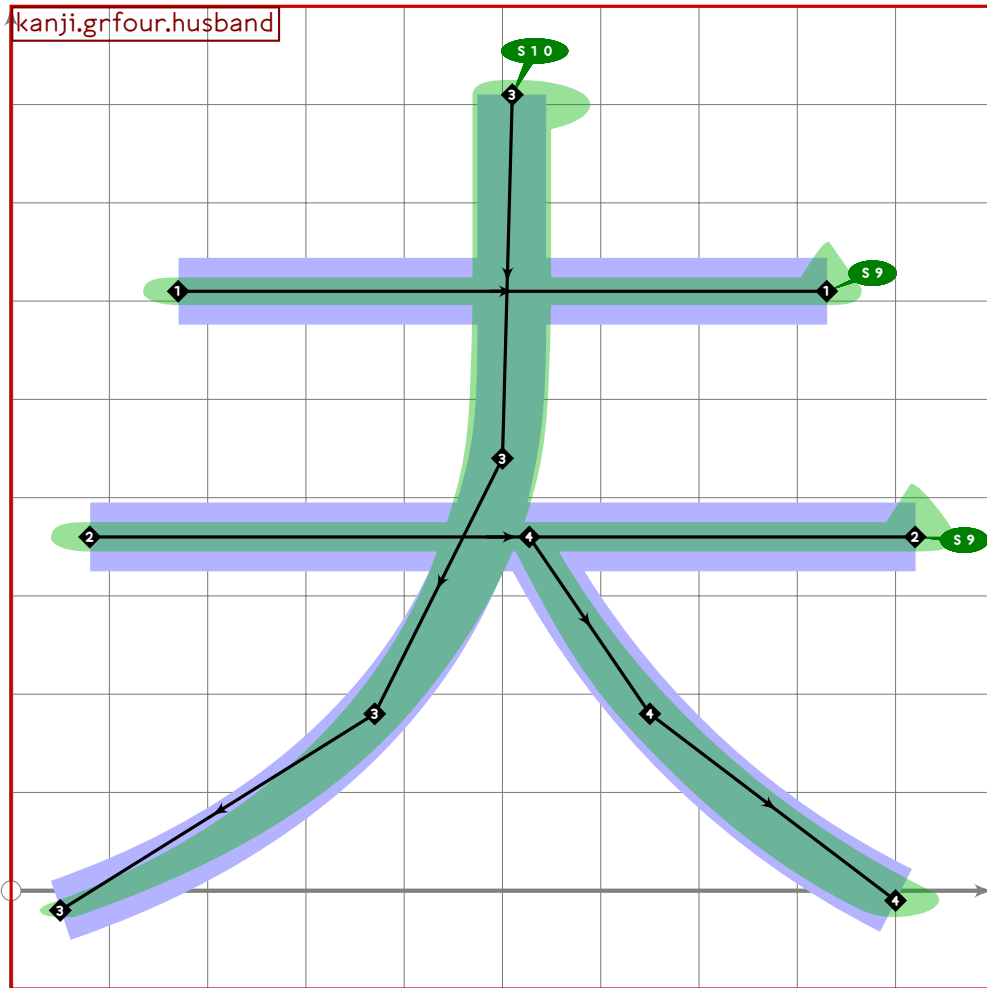
34 add_proof_box("kanji.grfour.attach");

35 build_kanji.lr(300,20)

36 (tsu_curve.kanji.leftrad.person)

37 (tsu_curve.kanji.grsix.inch);

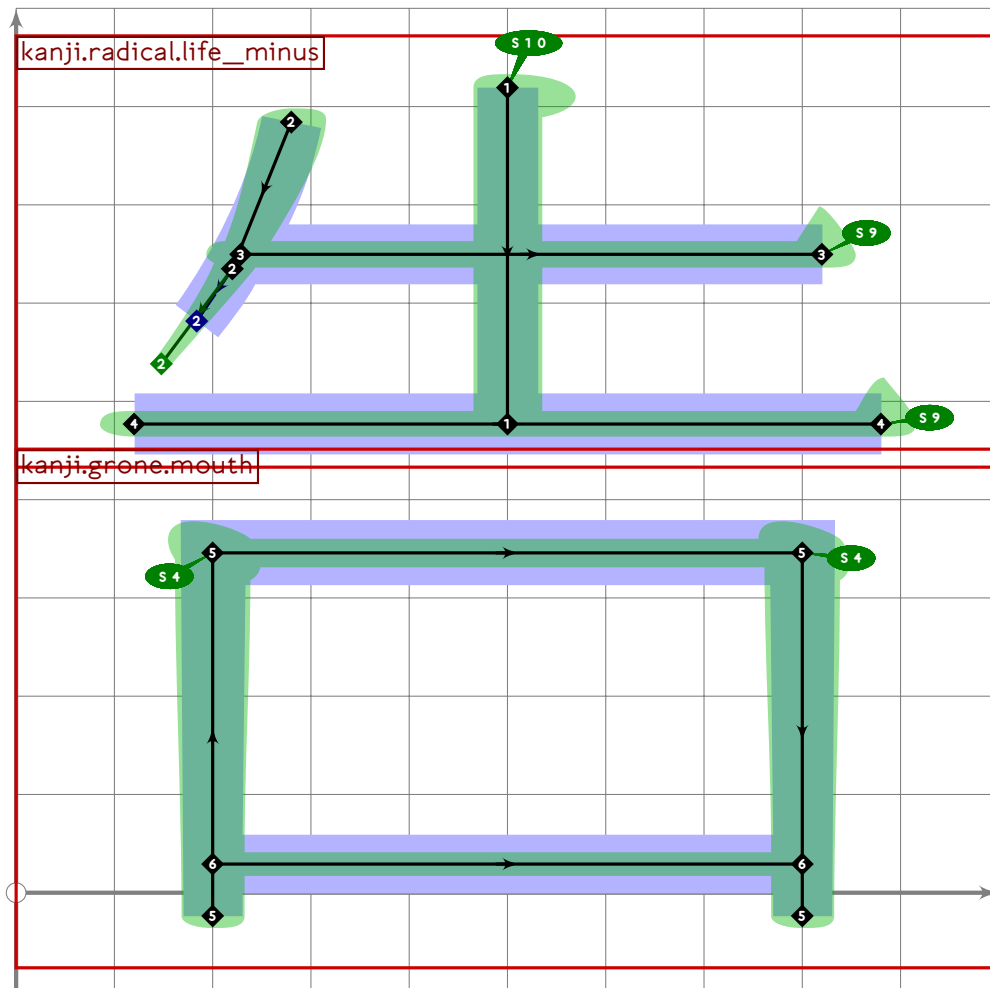
38 enddef;



```

39
40 vardef tsu_curve.kanji.grfour.husband =
41   add_proof_box("kanji.grfour.husband");
42   bp[sp]:=(170,610)-(830,610);
43   bq[sp]:=(1.5,1.5)-(1.5,1.5);
44   bo_serif[sp][1]:=9;
45   bp[sp*1]:=(80,360)-(920,360);
46   bq[sp*1]:=(1.6,1.6)-(1.6,1.6);
47   bo_serif[sp*1][1]:=9;
48   bp[sp*2]:=(510,810){down}..(500,440)..(370,180)..{curl 0.5}(50,-20);
49   bq[sp*2]:=(1.6,1.6)-(1.6,1.6)-(1.4,1.4)-(1.1,1.1);
50   bo_serif[sp*2][0]:=10;
51   bp[sp*3]:=((bp[sp*1] intersectionpoint bp[sp*2])*(50,0))..
52     (650,180)..(900,-10);
53   bq[sp*3]:=(1.1,1.1)-(1.4,1.4)-(1.7,1.7);
54   sp:=sp*4;
55 enddef;

```



```

56
57 vardef tsu_curve.kanji.grfour.revelation =
58   add_proof_box("kanji.grfour.revelation");
59   build_kanji.level(build_kanji.tb(440;30)
60     (tsu_curve.kanji.radical.life_minus)
61     (tsu_curve.kanji.grone.mouth));
62 enddef;

```

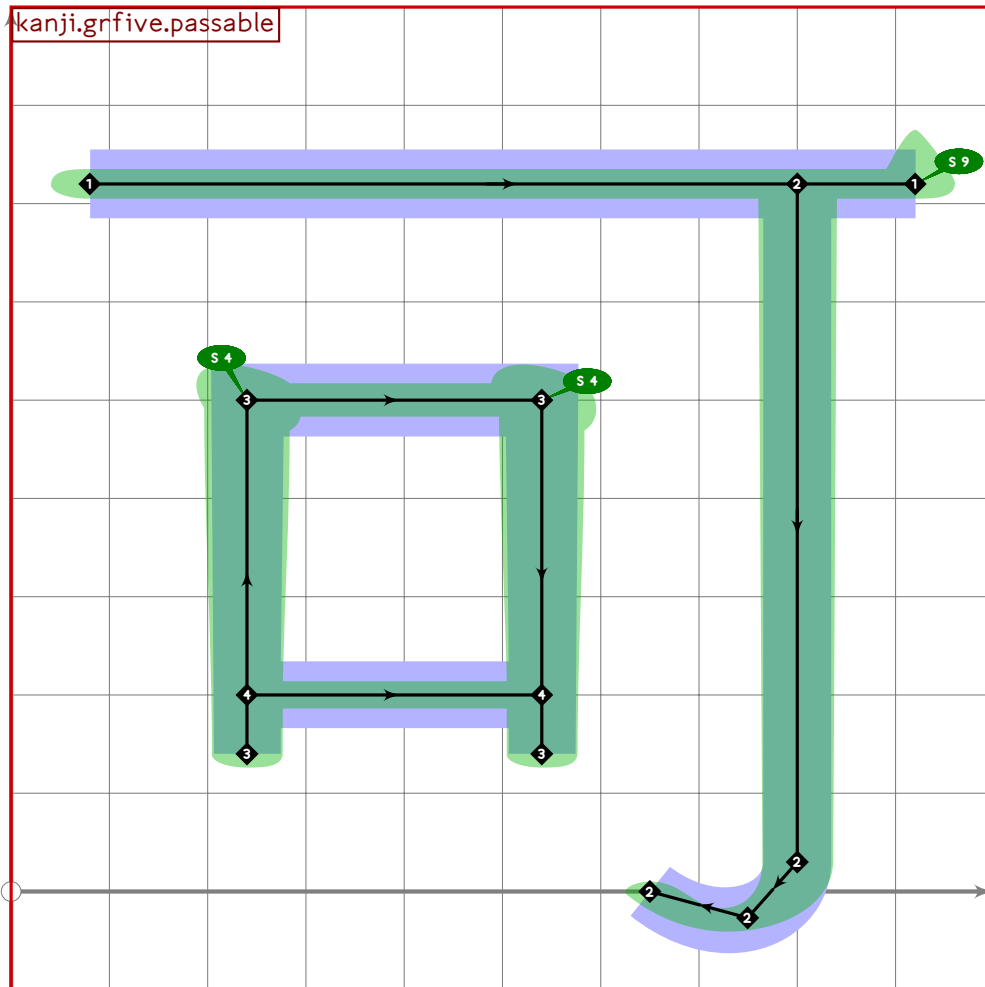
gradefive.mp

```
1 %  
2 % Grade Five kanji used on more than one page  
3 % Copyright (C) 2011 Matthew Skala  
4 %
```

```
5-29 [Standard copyright notice]
```

```
30
```

```
31
```



```
32
```

```
33 vardef tsu_curve.kanji.grfive.passable =  
34   add_proof_box("kanji.grfive.passable");  
35   bp[sp]:=(80,720)-(920,720);  
36   bq[sp]:=(1.6,1.6)-(1.6,1.6);  
37   bo_serif[sp][1]:=9;  
38   bp[sp*1]:=(800,720);  
39   bq[sp*1]:=(1.6,1.6);  
40   build_kanji.add_jtail(sp*1);  
41   sp:=sp*2;  
42   build_kanji.box((240,500),(540,200));  
43 enddef;
```

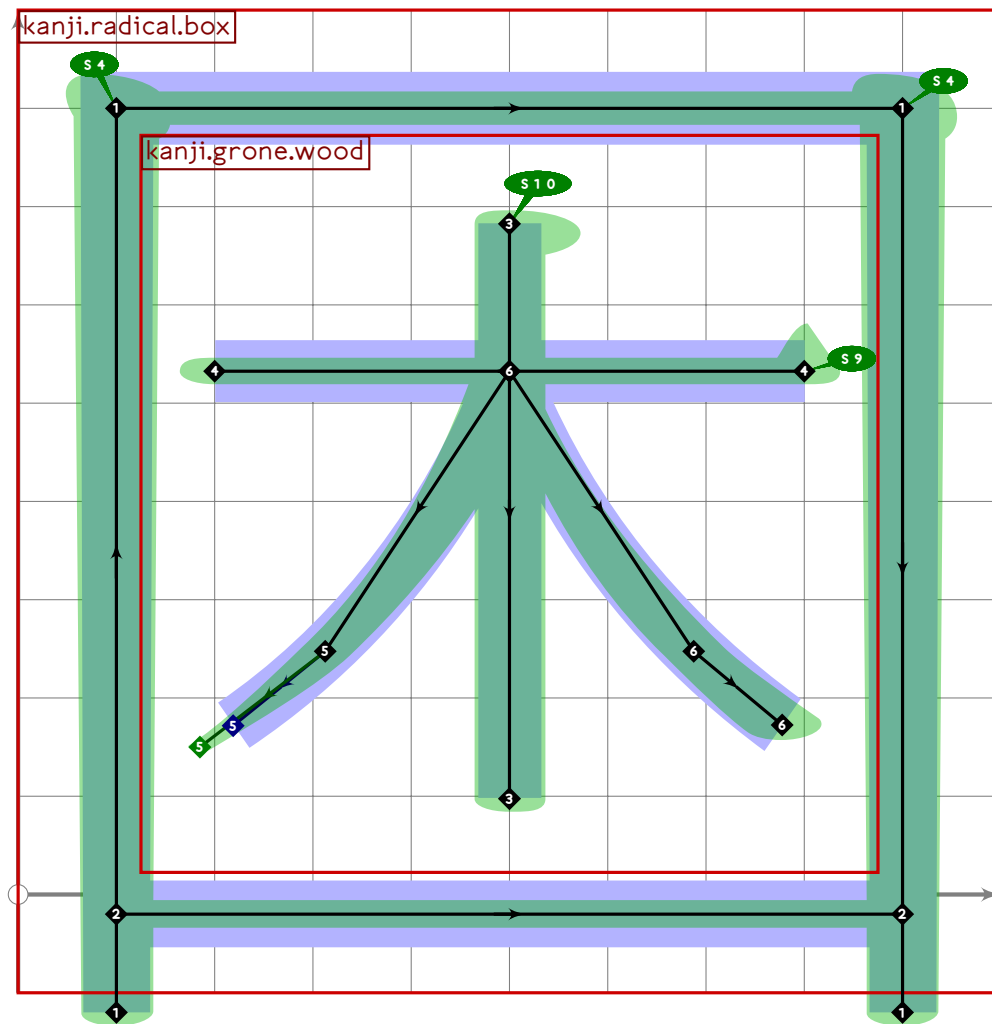
gradesix.mp

1 %
2 % Grade Six kanji used on more than one page
3 % Copyright (C) 2011 Matthew Skala
4 %

5-29 [Standard copyright notice]

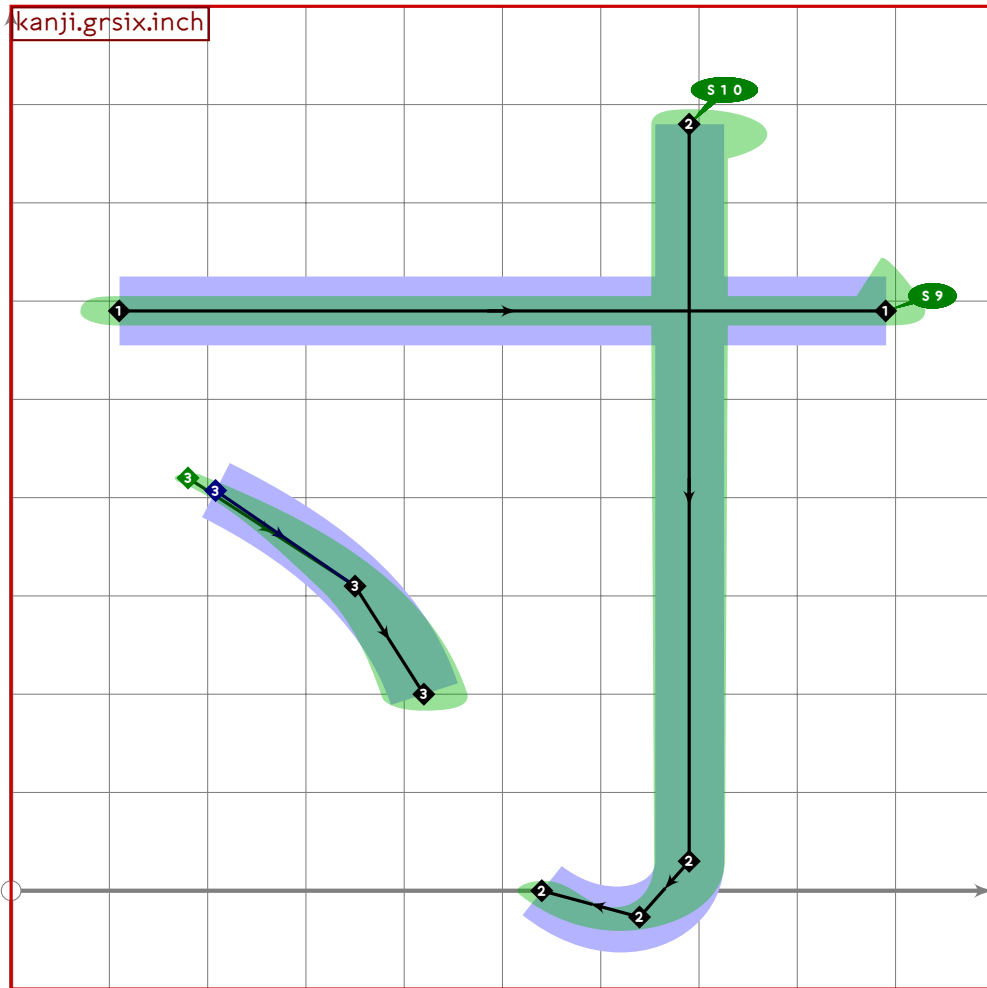
30

31



32

```
33 vardef tsu_curve.kanji.grsix.bothered =  
34   add_proof_box("kanji.grsix.bothered");  
35   tsu_curve.kanji.radical.box;  
36   build_kanji.sscale(scaled 0.75)(tsu_curve.kanji.grone.wood);  
37 enddef;
```

```

38
39 vardef tsu_curve.kanji.grsix.inch =
40   add_proof_box("kanji.grsix.inch");
41   bp[sp]:=(110,590)-(890,590);
42   bq[sp]:=(1.6,1.6)-(1.6,1.6);
43   bo_serif[sp][1]:=9;
44   bp[sp*1]:=(690,780);
45   bq[sp*1]:=(1.6,1.6);
46   build_kanji.add_jtail(sp*1);
47   bo_serif[sp*1][0]:=10;
48   bp[sp*2]:=(180,420)..tension 1.2..(350,310)..(420,200);
49   bq[sp*2]:=(0.9,0.9)-(1.5,1.5)-(1.7,1.7);
50   sp:=sp*3;
51 enddef;

```

gradeeight.mp

```

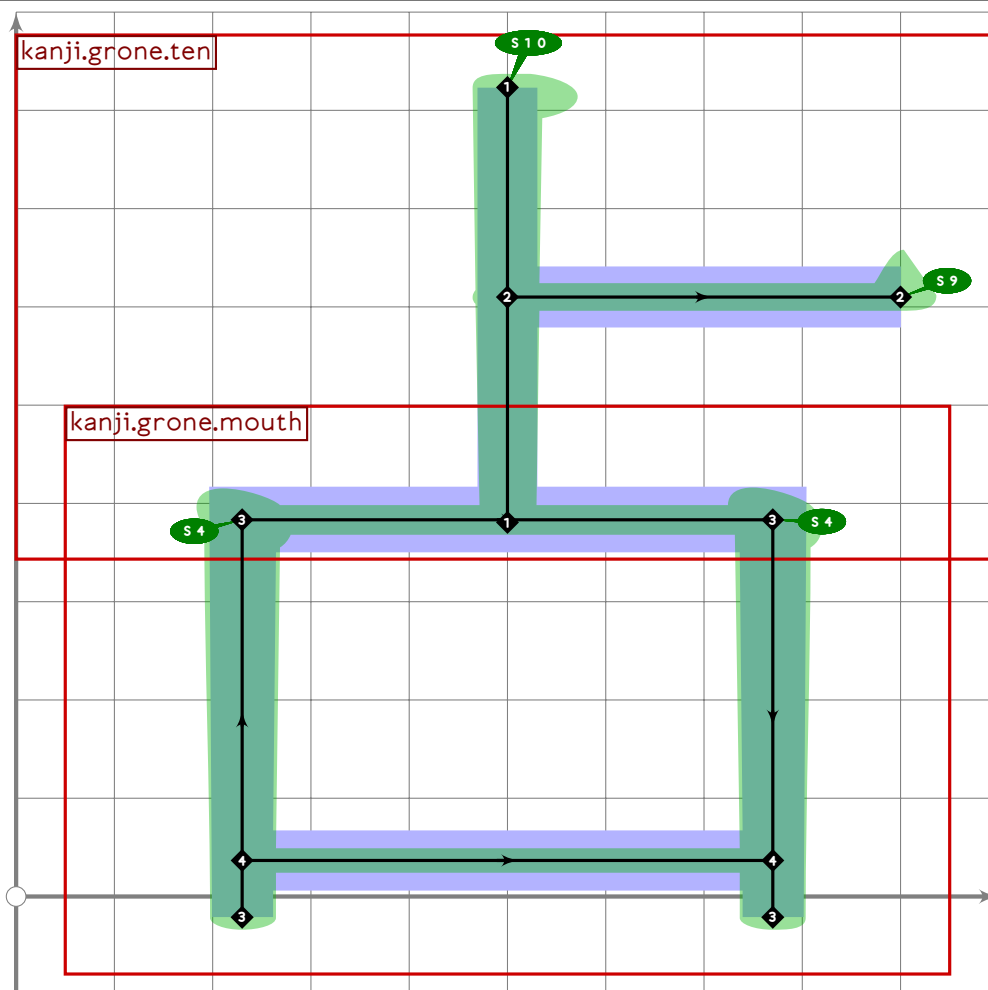
1 %
2 % Grade Eight kanji used on more than one page
3 % Copyright (C) 2011 Matthew Skala
4 %
5-29 [Standard copyright notice]

```

```

30
31

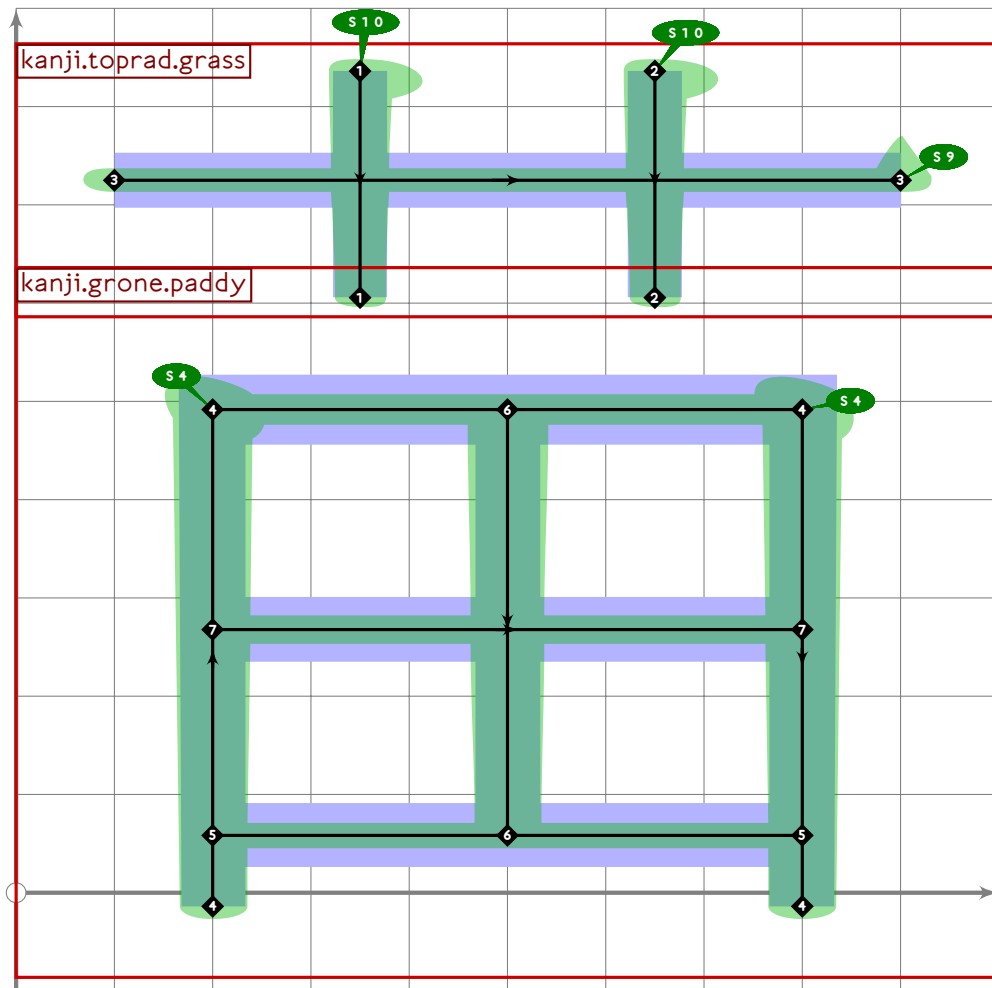
```



```

32
33 vardef tsu_curve.kanji.greight.divination =
34   add_proof_box("kanji.greight.divination");
35   build_kanji.level(build_kanji.tb(420,100)
36     (tsu_curve.kanji.grone.ten;
37     bp[sp-1]:=subpath (0.5,1) of bp[sp-1];)
38     (build_kanji.sscale(xscaled 0.9)(tsu_curve.kanji.grone.mouth)));
39 enddef;

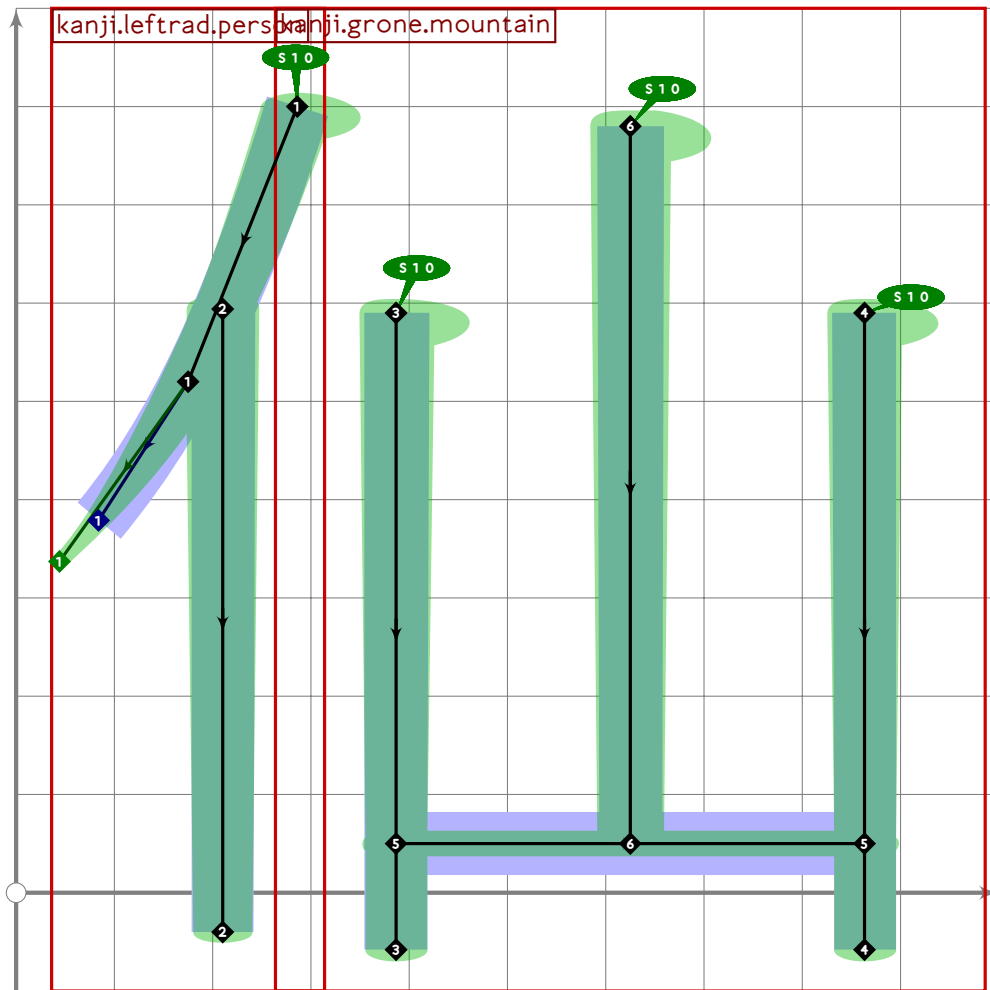
```



```

40
41 vardef tsu_curve.kanji.greight.seedling =
42   add_proof_box("kanji.greight.seedling");
43   build_kanji.tb(600,0)
44     (tsu_curve.kanji.toprad.grass)
45     (tsu_curve.kanji.grone.paddy);
46 enddef;

```



```

47
48 vardef tsu_curve.kanji.greight.wizard =
49   add_proof_box("kanji.greight.wizard");
50   build_kanji.lr(300,0)
51     (tsu_curve.kanji.leftrad.person)
52     (tsu_curve.kanji.grone.mountain);
53 enddef;

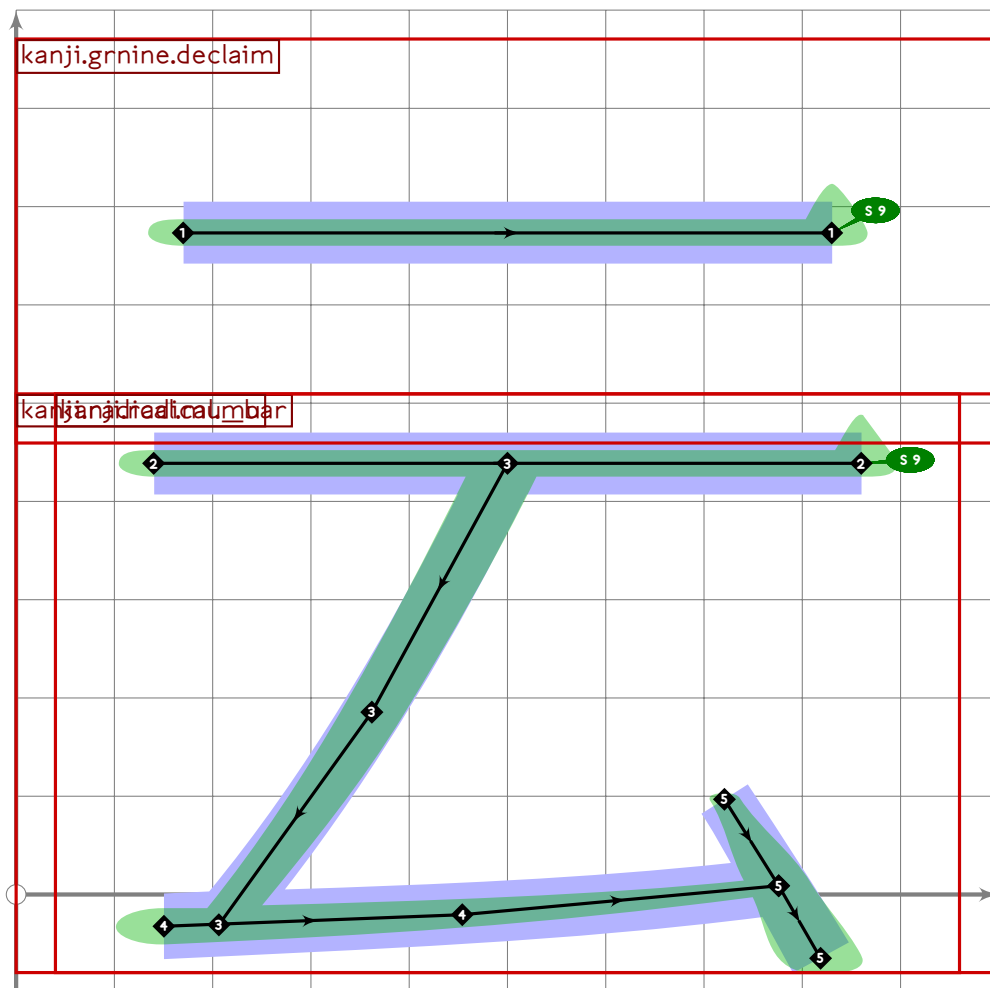
```

gradenine.mp

```

1 %
2 % Grade Nine kanji used on more than one page
3 % Copyright (C) 2011 Matthew Skala
4 %
5-29 [Standard copyright notice]
30
31

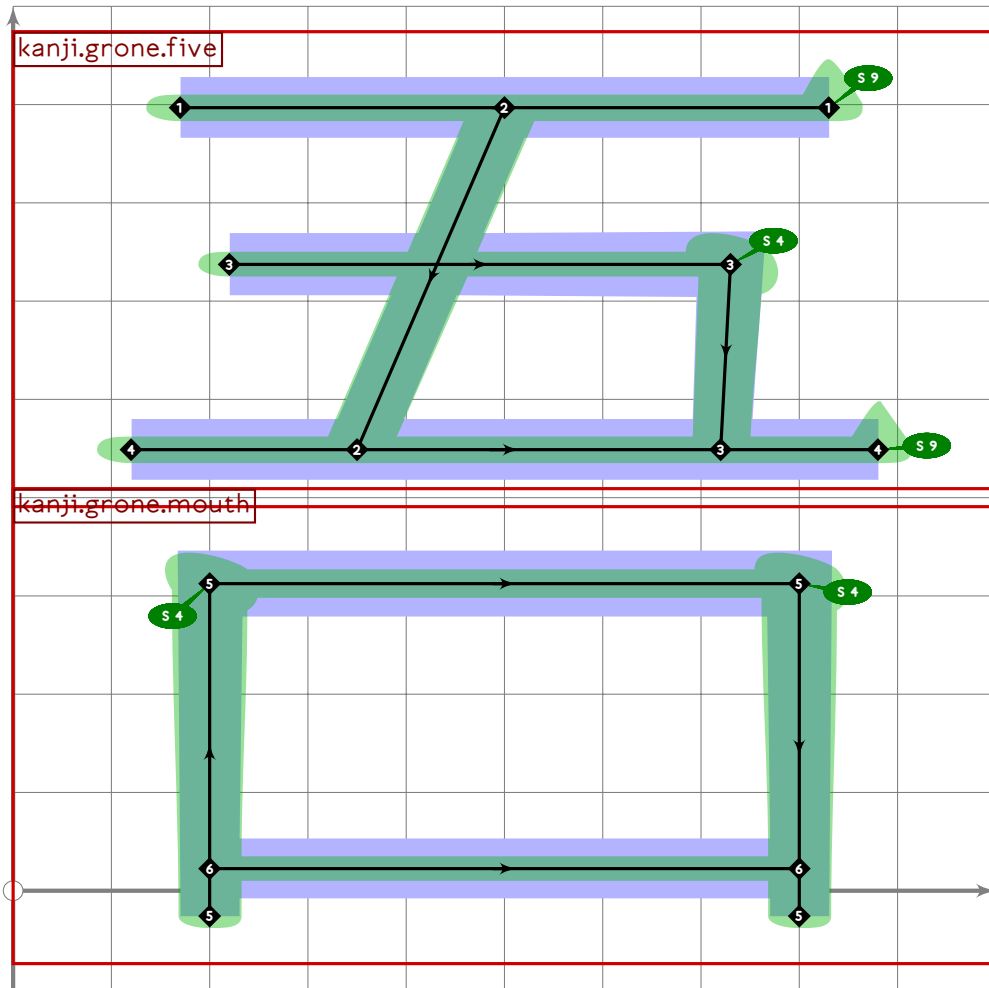
```



```

32
33 vardef tsu_curve.kanji.grnine.declaim =
34   add_proof_box("kanji.grnine.declaim");
35   build_kanji.level(build_kanji.tb(480,0)
36     (bp[sp]:=(170,420)-(830,420);
37     bq[sp]:=(1.6,1.6)-(1.6,1.6);
38     bo_serif[sp][1]:=9;
39     sp:=sp+1;))
40   (tsu_curve.kanji.radical.mu_bar));
41 enddef;

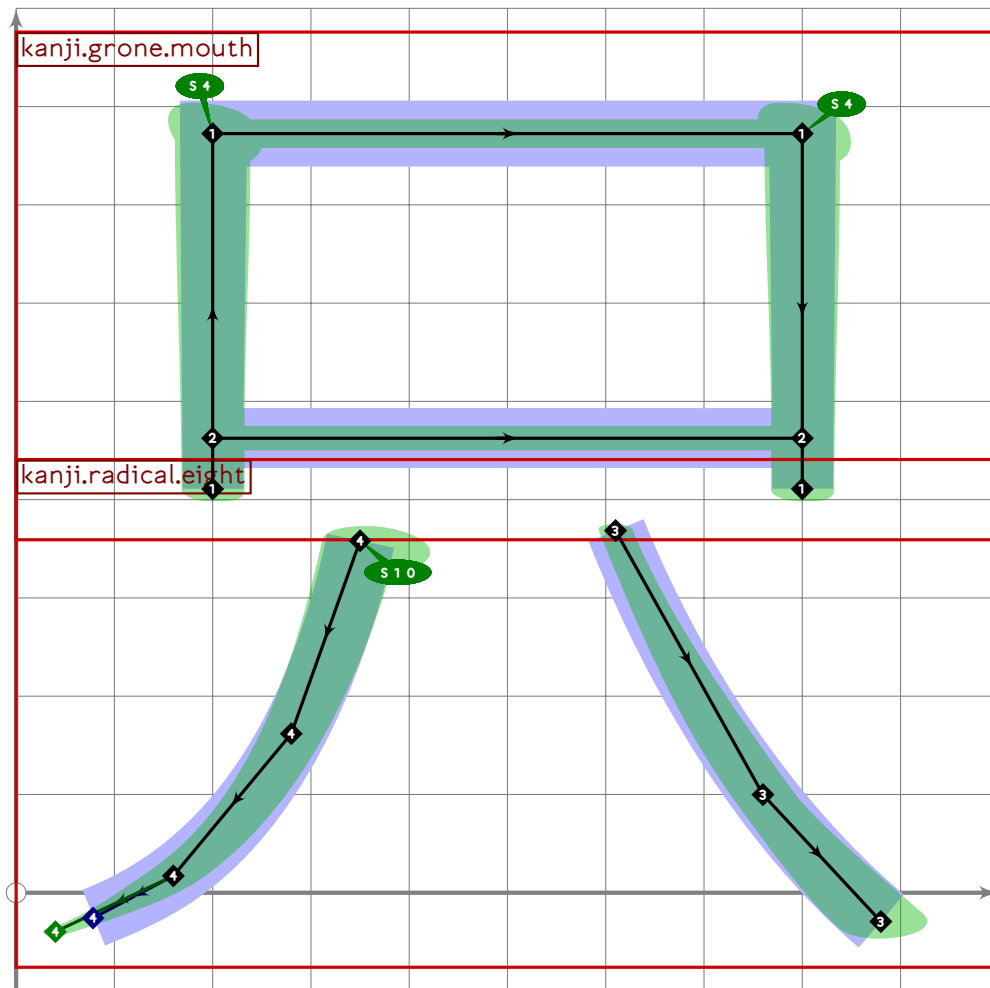
```



```

42
43 vardef tsu_curve.kanji.grnine.my =
44   add_proof_box("kanji.grnine.my");
45   build_kanji.level(build_kanji.tb(400;30)
46     (tsu_curve.kanji.grone.five)
47     (tsu_curve.kanji.grone.mouth));
48 enddef;

```



```

49
50 vardef tsu_curve.kanji.grnine.only =
51   add_proof_box("kanji.grnine.only");
52   build_kanji.tb(400,30)
53     (tsu_curve.kanji.grone.mouth)
54     (tsu_curve.kanji.radical.eight);
55 enddef;

```

rare.mp

```

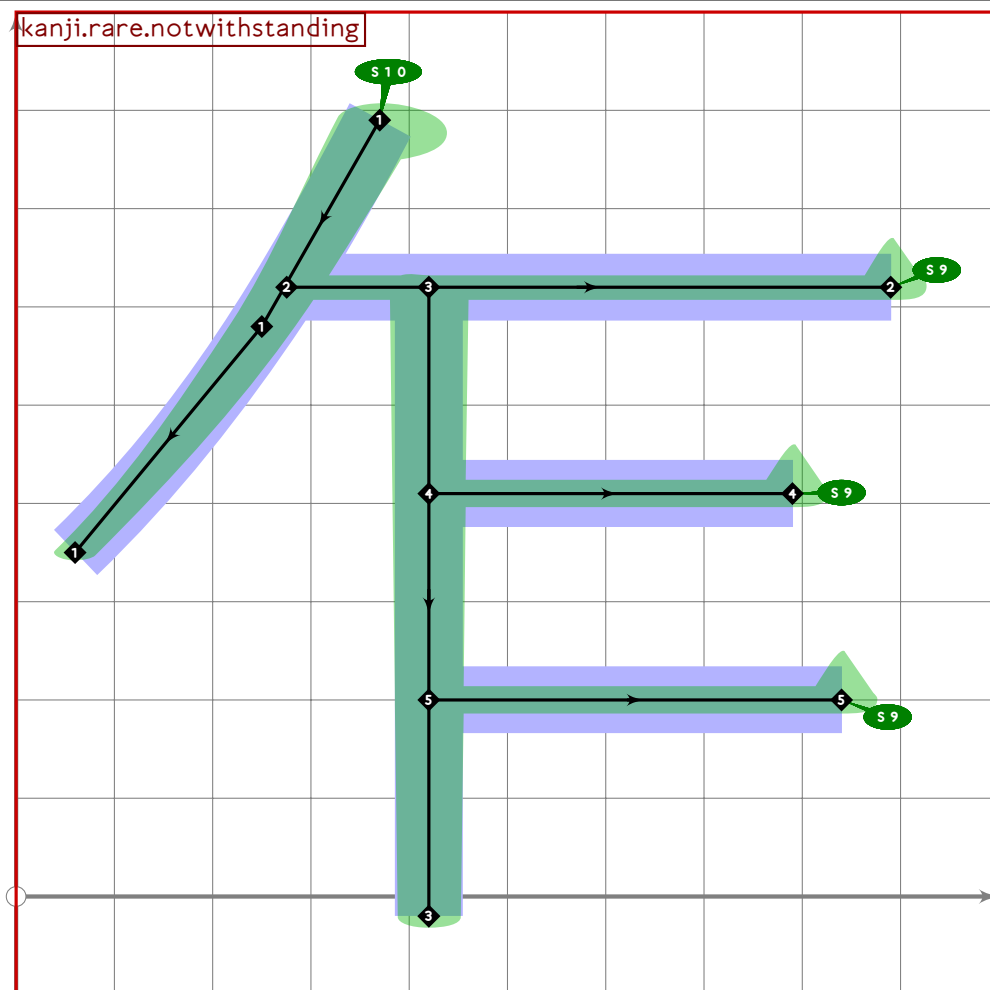
1 %
2 % Rare kanji needed to build others
3 % Copyright (C) 2011 Matthew Skala
4 %
5-29 [Standard copyright notice]

```

```

30
31

```



```

32

```

```

33 vardef tsu_curve.kanji.rare.notwithstanding =
34   add_proof_box("kanji.rare.notwithstanding");
35   bp[sp]:=(370,790){curl 0.1}..(250,580)..(60,350);
36   bq[sp]:=(1.7,1.7)-(1.4,1.4)-(1.1,1.1);
37   bo_serif[sp][0]:=10;
38   bp[sp*1]:=(((0,620)-(1000,620)) intersectionpoint bp[sp])-(890,620);
39   bq[sp*1]:=(1.4,1.4)-(1.5,1.5);
40   bo_serif[sp*1][1]:=9;
41   bp[sp*2]:=(420,620)-(420,-20);
42   bq[sp*2]:=(1.6,1.6)-(1.4,1.4);
43   bp[sp*3]:=(420,410)-(790,410);

```



```
44 bq[sp*3]:=(1.5,1.5)-(1.5,1.5);
45 bo_serif[sp*3][1]:=9;
46 bp[sp*4]:=(420,200)-(840,200);
47 bq[sp*4]:=(1.5,1.5)-(1.5,1.5);
48 bo_serif[sp*4][1]:=9;
49 sp:=sp+5;
50 enddef;
```

Part II

U+0000 to U+2FFF

tsuku-00.mp

```
1 %
2 % Unicode page 00 (ASCII/ISO Latin-1) for Tsukurimashou
3 % Copyright (C) 2011 Matthew Skala
4 %
```

```
5-29 [Standard copyright notice]
```

```
30
```

```
31
```

```
32
```

```
33 beginfont
```

```
34
```

```
35 input latin-intro.mp;
```

```
36
```

```
37 % AUTODEPS
```

```
38 input accent.mp;
```

```
39 input latin.mp;
```

```
40 input numerals.mp;
```

```
41 input punct.mp;
```

```
42
```

```
43 path bracket[];
```

```
44
```

```
45
```

```
46
```

Ascii

```
47 % ASCII
```

```
48
```

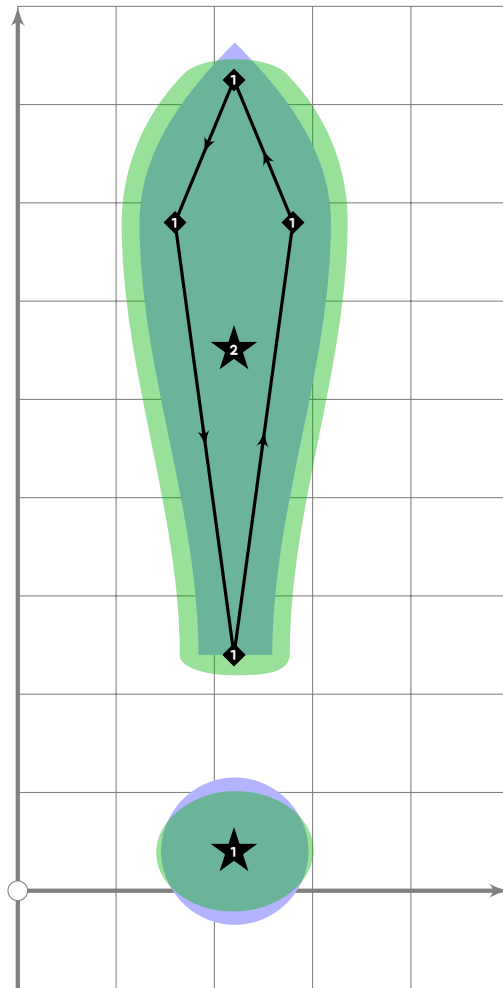
```
49 tsu\_rescale\_native\_narrow;
```

```
50
```

```
51 % WARNING this code is substantially duplicated in tsuku-ff; just
```

```
52 % enough differences to make sharing impractical
```

```
53
```



```

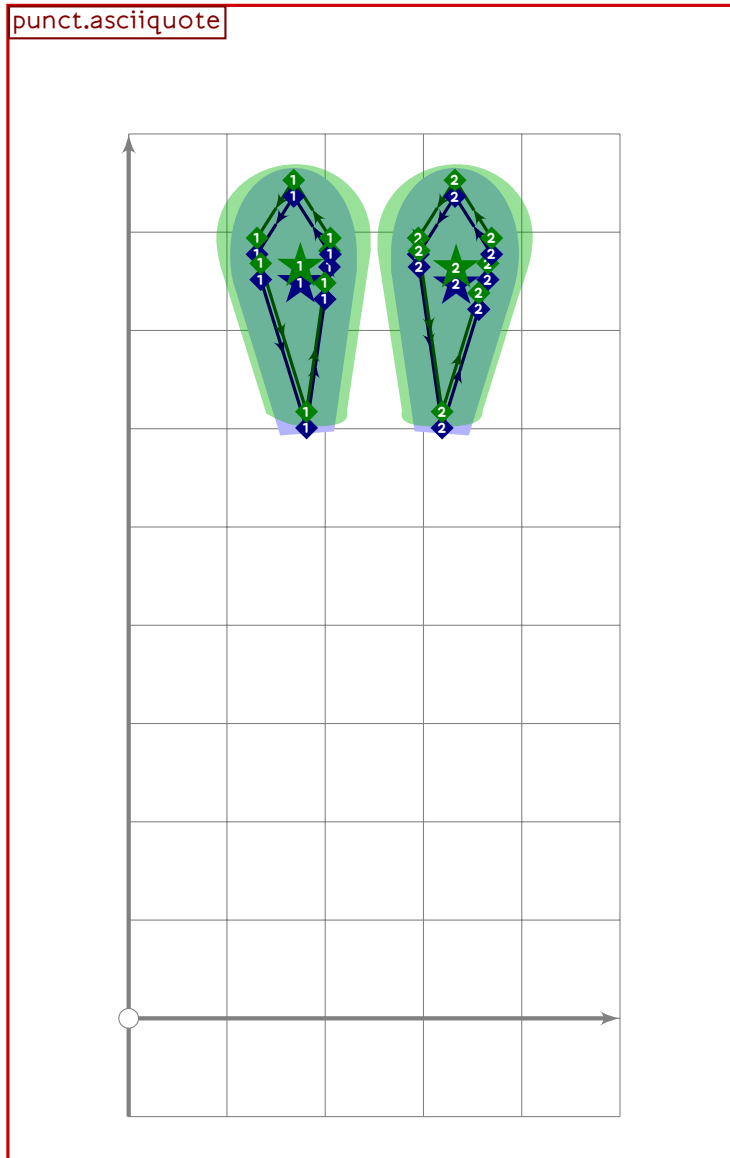
54 % exclamation point
55 begintsuglyph("exclam",33);
56 if tsu_pbrush_size>=(tsu_punct_size*0.5):
57     lcblob1:=fullcircle
58         xscaled (tsu_punct_size*tsu_pbrush_size)
59         yscaled (tsu_punct_size*tsu_pbrush_size*tsu_pbrush_shape)
60         rotated tsu_pbrush_angle
61         shifted (220,40);
62 else:
63     bp[sp]:=fullcircle scaled tsu_punct_size shifted (220,40);
64     bq[sp]:=(2,2)-(2,2)-(2,2)-(2,2)-cycle;
65     sp:=sp+1;
66 fi;
67
68 bp[sp]:=(220,240){up}..(280,680){up}..{curl 1}(220,825){curl 1}..
69     (160,680){down}..{down}(220,240);
70 bq[sp]:=(2,2)-(2,2)-(2,2)-(2,2)-(2,2);
71 sp:=sp+1;
72
73 if tsu_pbrush_size>=30:
74     if known lcblob1: i:=2; else i:=1; fi;

```

```

75     if sp>2: lcblob[i]:=bp]; i++; fi;
76     lcblob[i]:=(subpath (0,1,3,9) of bp[sp-1])–cycle;
77     fi;
78
79     tsu_render;
80 endtsuglyph;
81
82 % WARNING changing rescale setting
83 tsu_rescale_half;
84

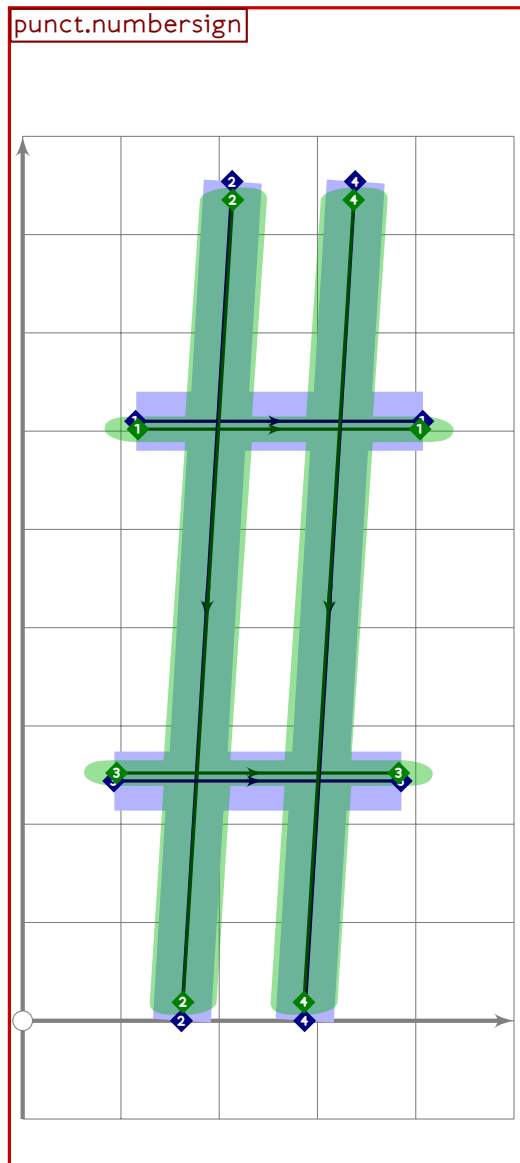
```



```

85 % ASCII (neither left nor right) quotation mark
86 begint Suglyph("quotedbl";34);
87 tsu_curve.punct.asciiquote;
88 tsu_render;
89 endtsuglyph;
90

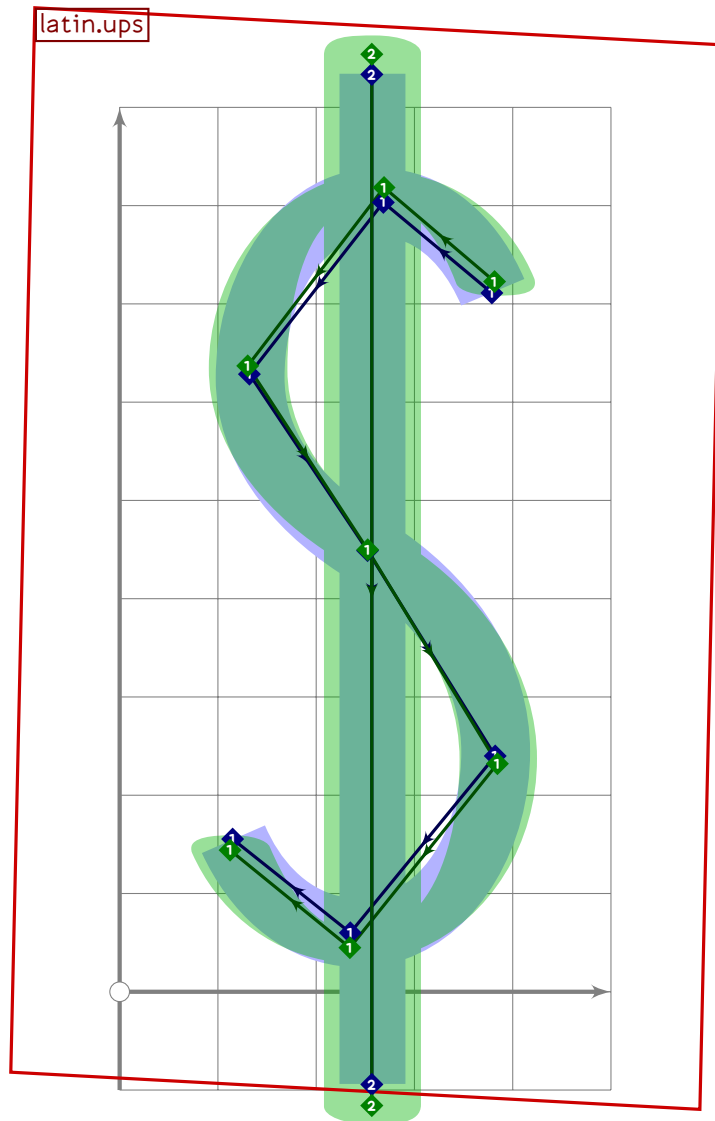
```



```

91 % number sign
92 begintsuglyph("numbersign";35);
93   tsu_curve.punct.numbersign;
94   tsu_render;
95 endtsuglyph;
96

```



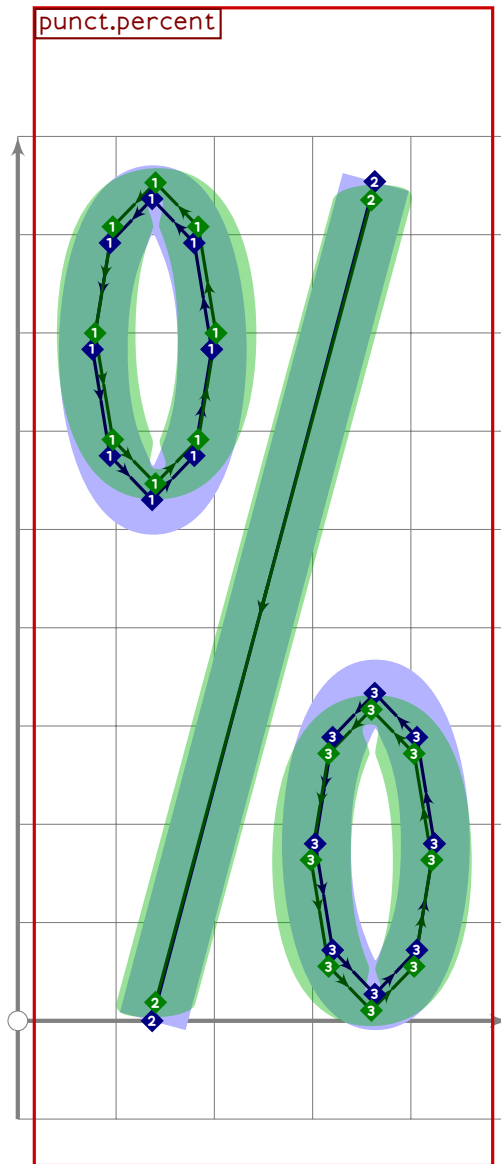
```

97 % dollar sign
98 begintsuglyph("dollar";36);
99 tsu_xform(identity shifted -centre_pt
100   rotated -2 xyscaled (1.06,0.92) shifted centre_pt)(tsu_curve.latin.ups);
101
102 numeric x[],y[];
103 x1=x2=0.53[xpart llcorner bp1,xpart lrcorner bp1];
104 y1=1.12[latin_wide_low_r,latin_wide_high_r];
105 y2=(-0.15)[latin_wide_low_r,latin_wide_high_r];
106
107 bp2:=z1-z2;
108 bp2:=z1-z2;
109 bq2:=(2,2)-(2,2);
110 bo_size2:=90;
111
112 sp:=sp*1;
113 tsu_render;

```

114 endtsuglyph;

115



116 % percent

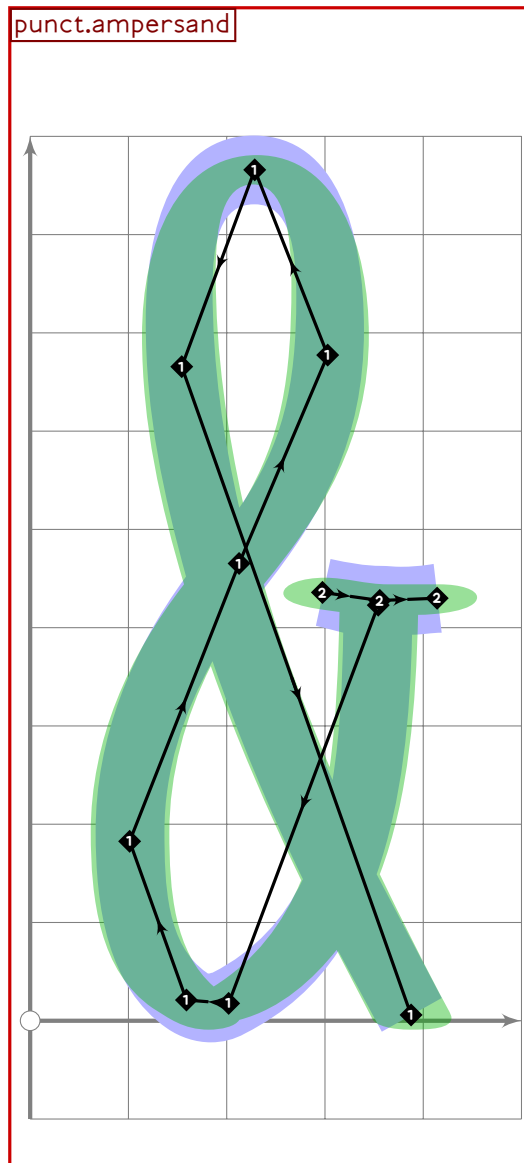
117 `begintsuglyph("percent";37);`

118 `tsu_curve.punct.percent;`

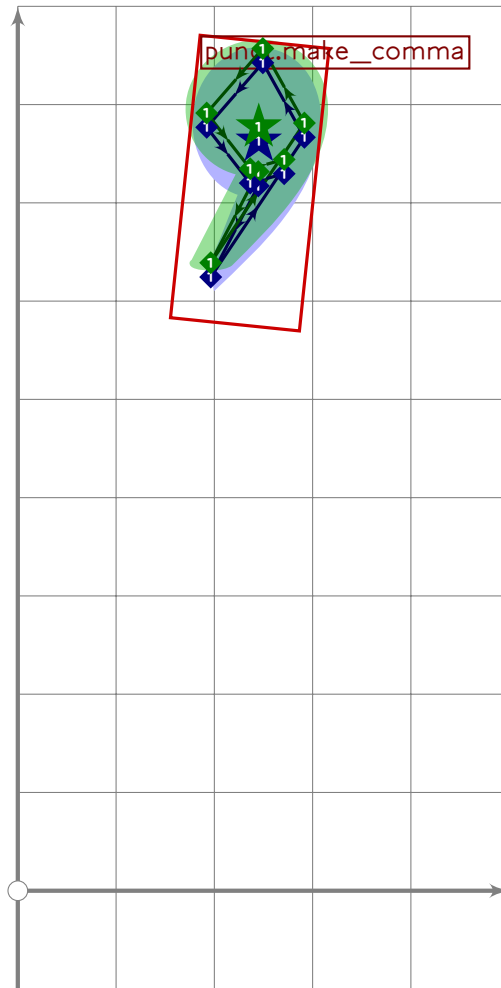
119 `tsu_render;`

120 `endtsuglyph;`

121



```
122 % ampersand
123 begintsuglyph("ampersand",38);
124 tsu_curve.punct.ampersand;
125 tsu_render;
126 endsuglyph;
127
```

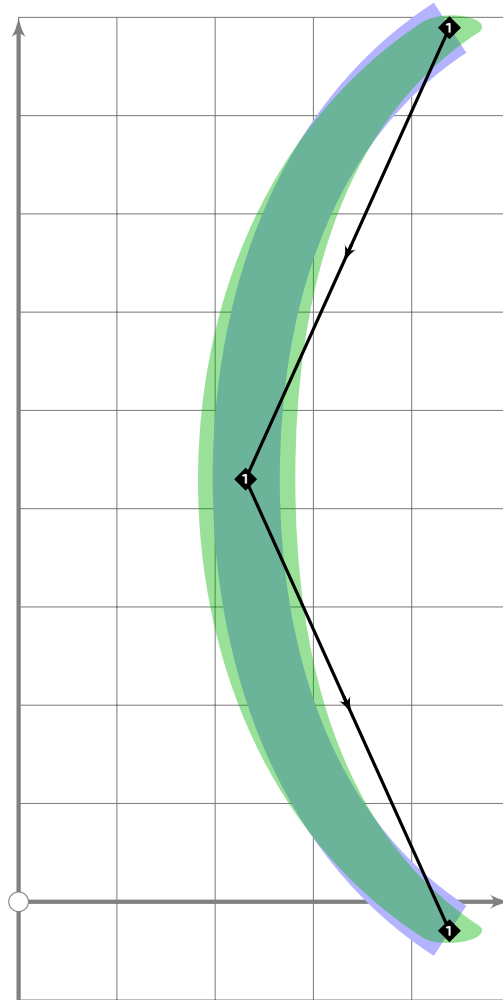


```

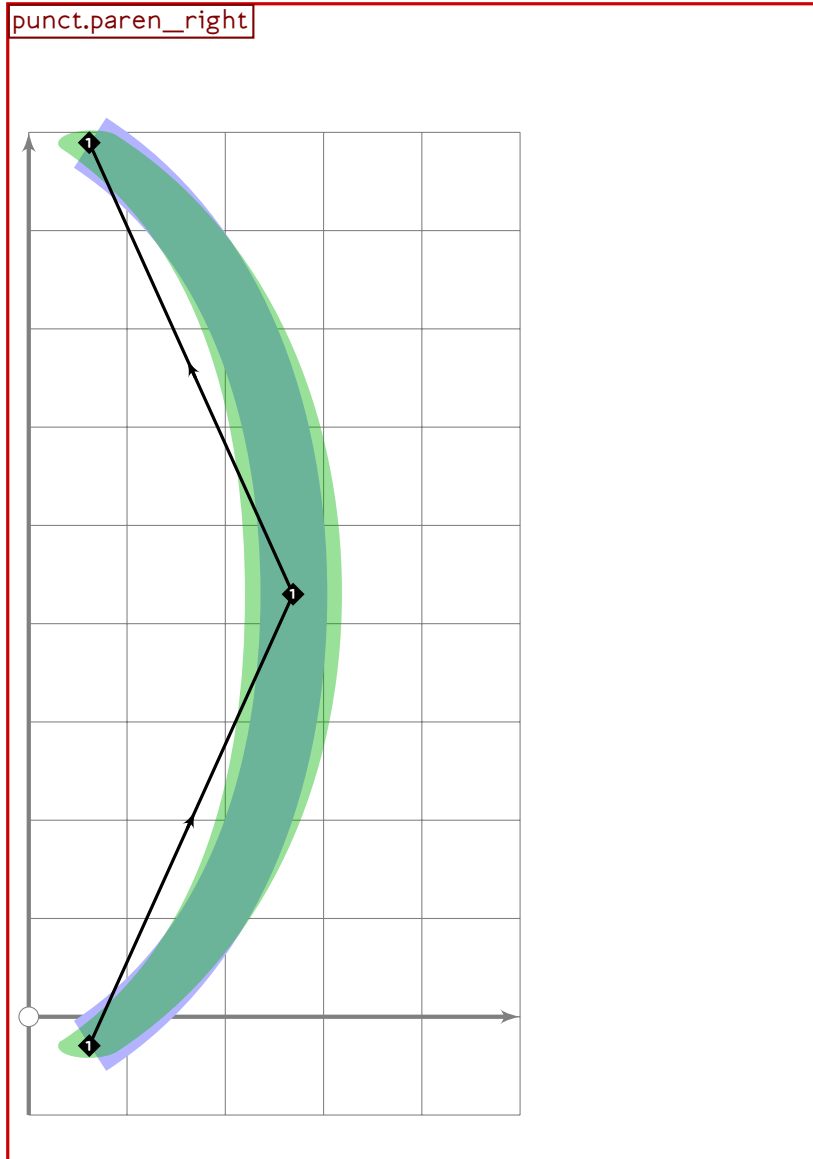
128 % apostrophe
129 begintsuglyph("quotesingle",39);
130 tsu_curve.punct.make_comma((480,vmetric(0.94)),0);
131 tsu_render;
132 endtsuglyph;
133
134 % left and right parentheses
135 tsu_curve.punct.paren_intro;

```

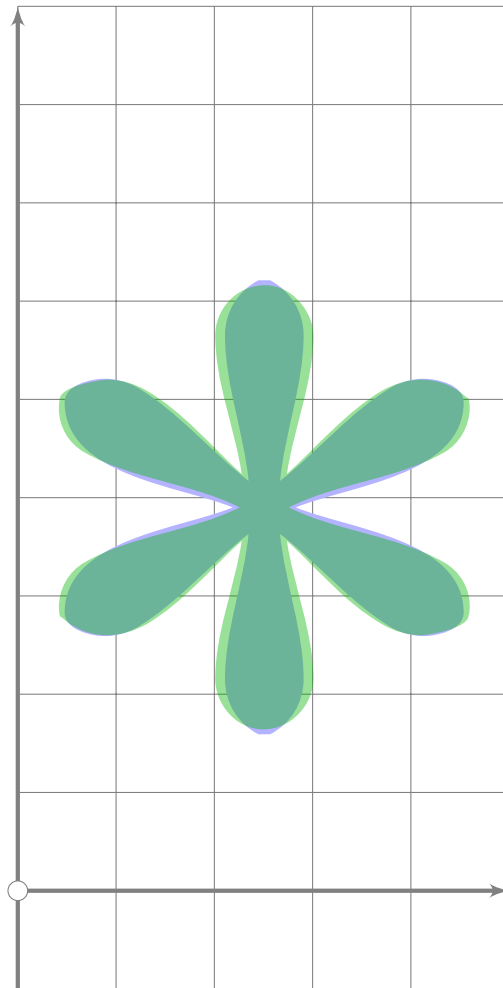
punct.paren_left



```
136 begint Suglyph("parenleft",40);  
137   tsu_curve.punct.paren_left;  
138   tsu_render;  
139 endsuglyph;
```



```
140 beginsuglyph("parenright",41);  
141   tsu_curve.punct.paren_right;  
142   tsu_render;  
143 endsuglyph;  
144  
145 % WARNING changing rescale setting  
146 tsu_rescale_native_narrow;  
147
```

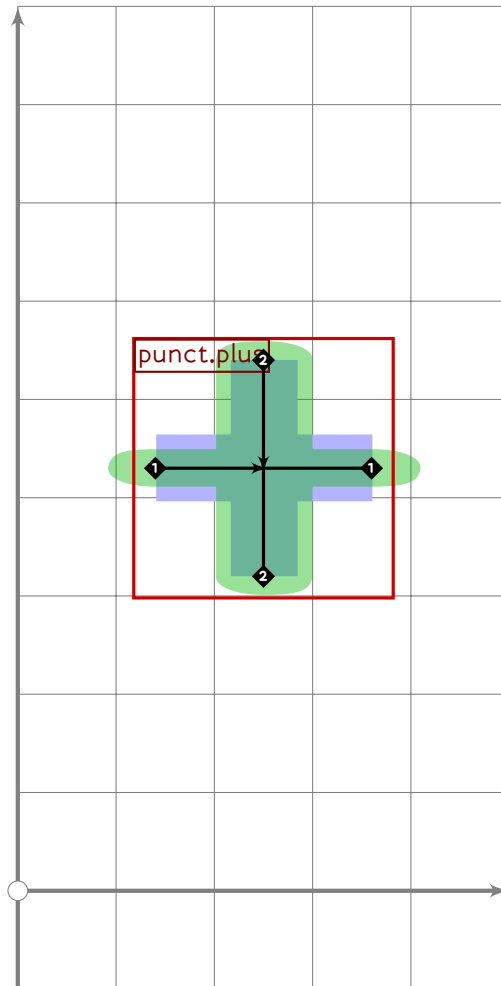


```

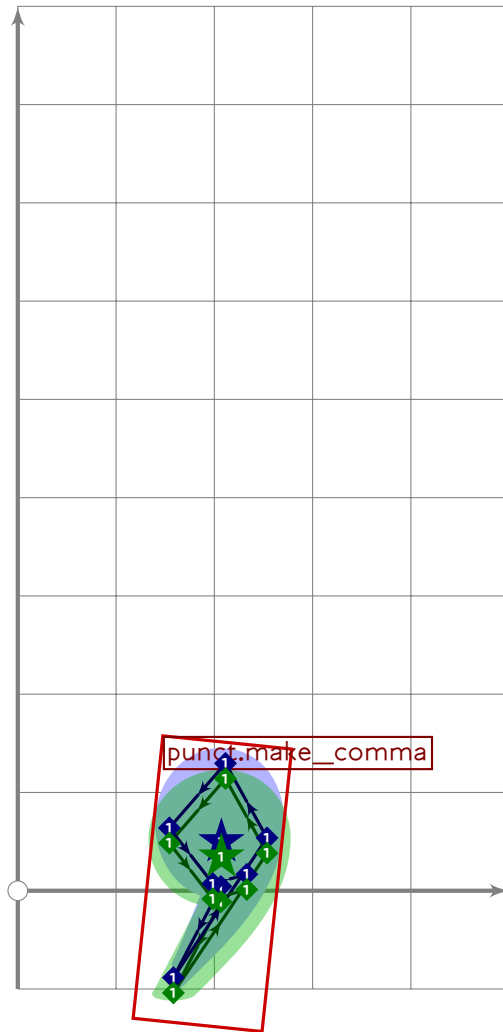
148 % asterisk
149 begint Suglyph("asterisk",42);
150   beingroup
151     path lobe, glyph[];
152
153     lobe:=(1,0){up}..((1+tsu_brush_max)*tsu_punct_size/8,140){up}
154       ..{curl 1}(0,175){curl 1}
155       ..(-(1+tsu_brush_max)*tsu_punct_size/8,140){down};
156     lobe:=(lobe..(lobe rotated 180)..cycle) scaled (tsu_punct_size/80);
157
158     default_nib:=fix_nib(35*tsu_brush_max,
159       35*tsu_brush_max*tsu_brush_shape,
160       tsu_brush_angle);
161     pen_stroke()(lobe shifted centre_pt shifted (-250,0))(glyph1);
162     pen_stroke()(lobe rotated 60 shifted centre_pt shifted (-250,0))(glyph2);
163     pen_stroke()(lobe rotated 120 shifted centre_pt shifted (-250,0))(glyph3);
164
165     dangerousFill glyph1.r;
166     dangerousFill glyph2.r;
167     dangerousFill glyph3.r;
168   endgroup;

```

```
169 endtsuglyph;  
170
```



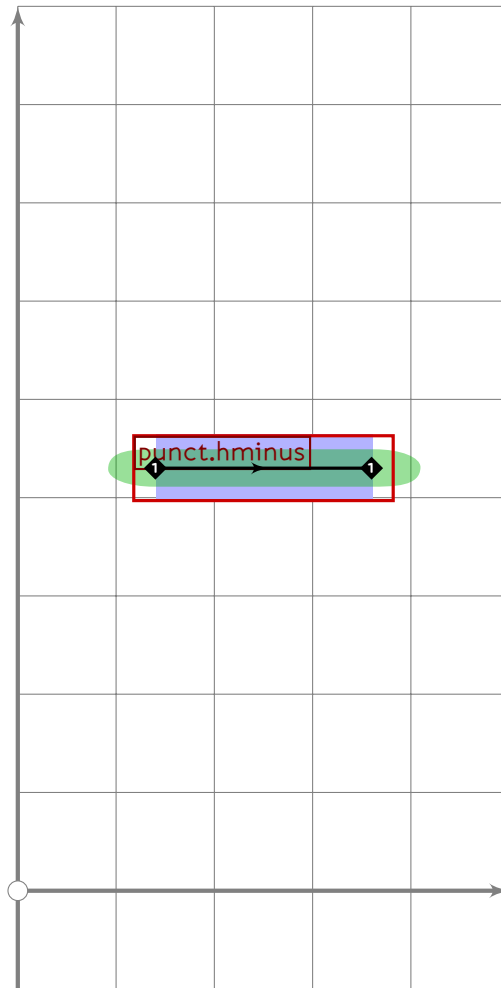
```
171 % plus  
172 beginsuglyph("plus";43);  
173 tsu_curve.punct.plus  
174   (identity scaled (1.1*tsu_punct_size) shifted (250,latin_vcentre));  
175 tsu_render;  
176 endtsuglyph;  
177  
178 % WARNING changing rescale setting  
179 tsu_rescale_half;  
180
```



```

181 % comma
182 beginsuglyph("comma";44);
183   tsu_curve.punct.make_comma((380,vmetric(0.03)),0);
184   tsu_render;
185 endsuglyph;
186
187 % WARNING changing rescale setting
188 tsu_rescale_native_narrow;
189

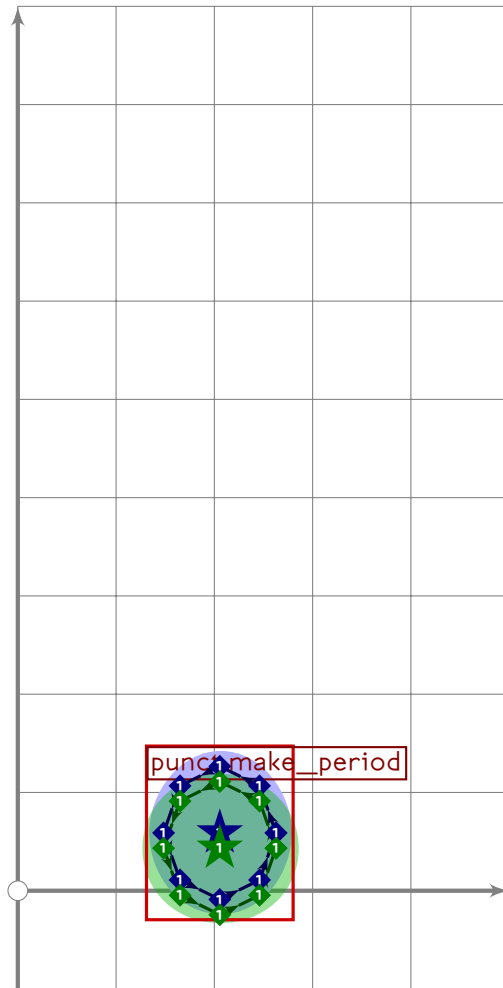
```



```

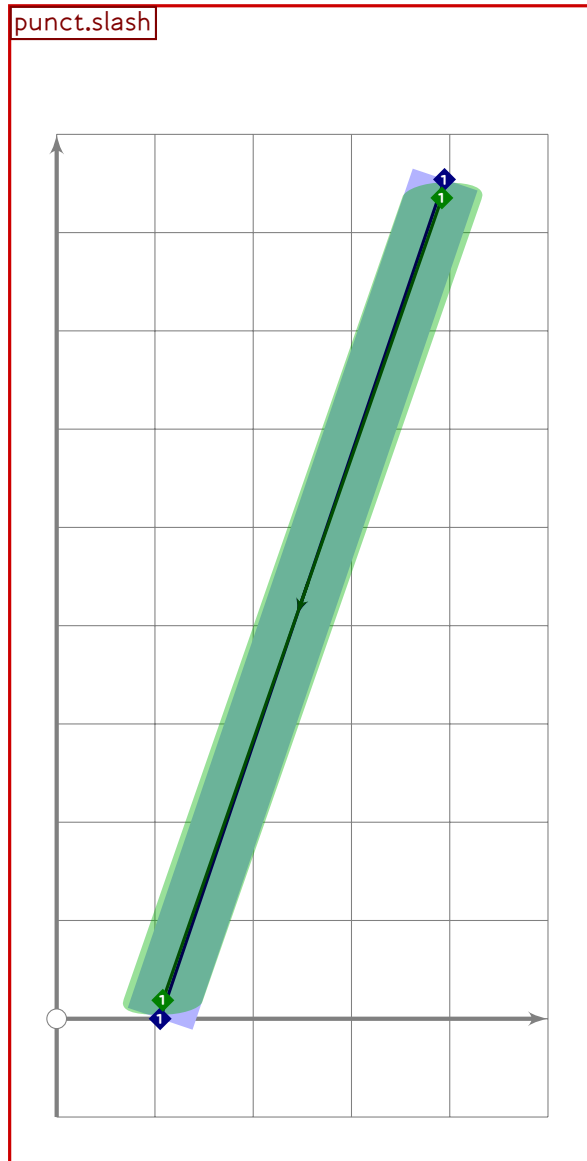
190 % hyphen-minus
191 begint Suglyph("hyphen";45);
192   tsu_curve.punct.hminus
193   (identity scaled (1.1*tsu_punct_size) shifted (250,latin_vcentre));
194   tsu_render;
195 endtsuglyph;
196
197 % WARNING changing rescale setting
198 tsu_rescale_half;
199

```

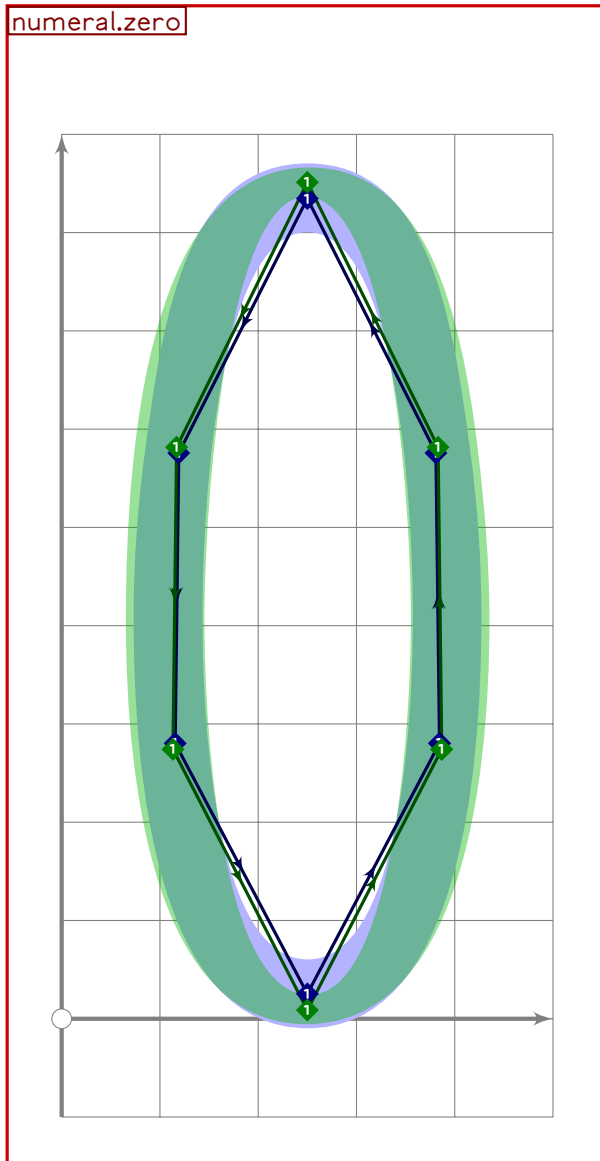



```
200 % period
201 begint Suglyph("period",46);
202 tsu_curve.punct.make_period((380,vmetric(0.03)));
203 tsu_render;
204 endtsuglyph;
205
```

punct.slash



```
206 % slash
207 begint Suglyph("slash",47);
208   tsu_curve.punct.slash;
209   tsu_render;
210 endtsuglyph;
211
```

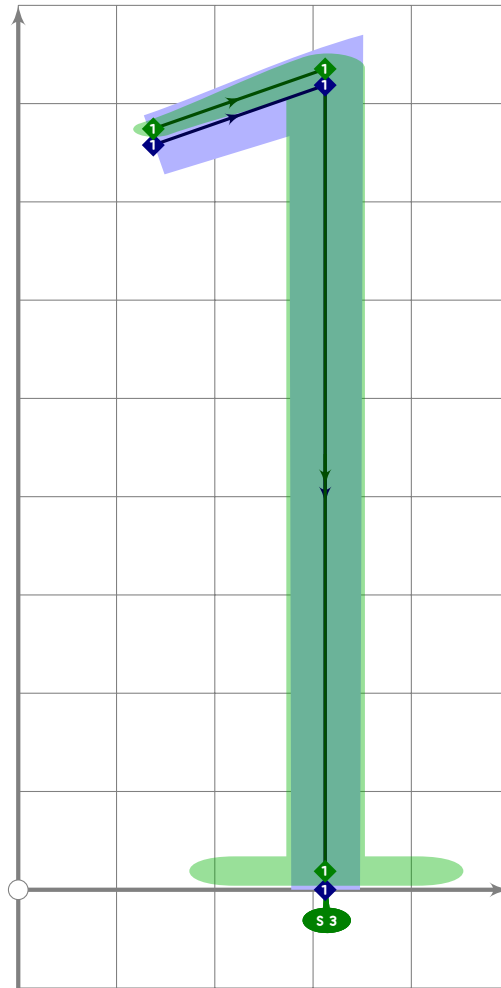


```

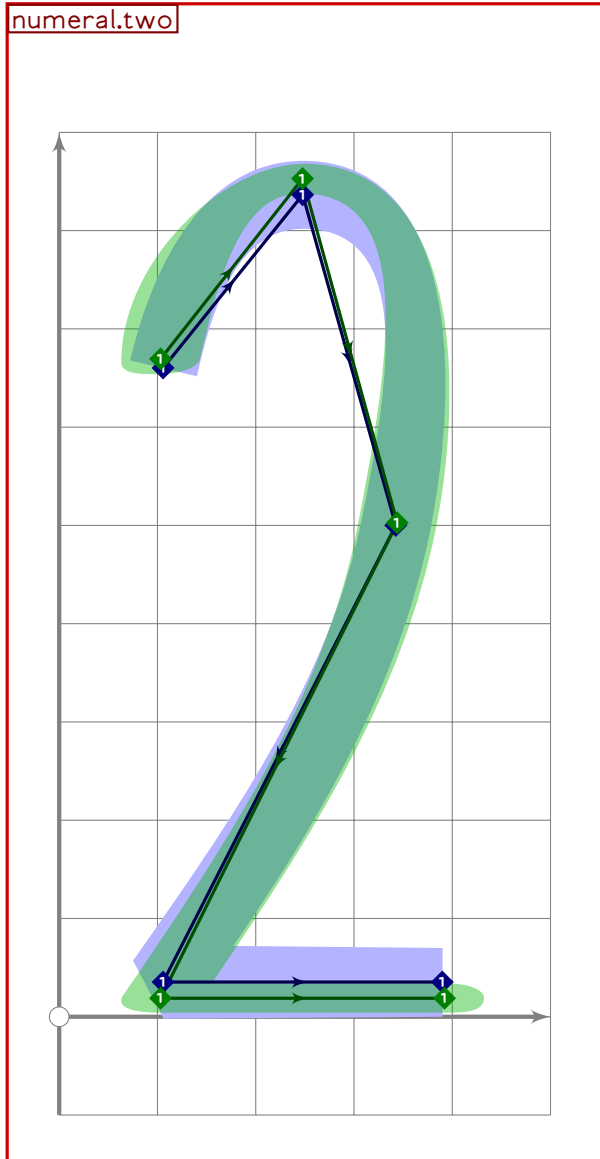
212 % 0
213 begintsuglyph("zero",48);
214 tsu_curve.numeral.zero;
215 tsu_render;
216 endtsuglyph;
217

```

numeral.one



```
218 % 1
219 begint Suglyph("one";49);
220 tsu_curve.numeral.one;
221 tsu_render;
222 endtsuglyph;
223
```

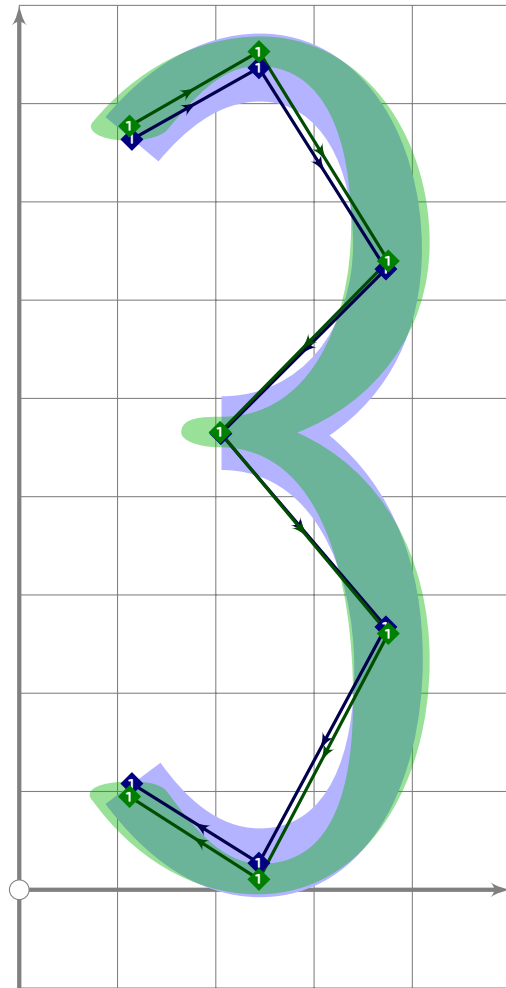


```

224 % 2
225 beginsuglyph("two";50);
226 tsu_curve.numeral.two;
227 tsu_render;
228 endsuglyph;
229

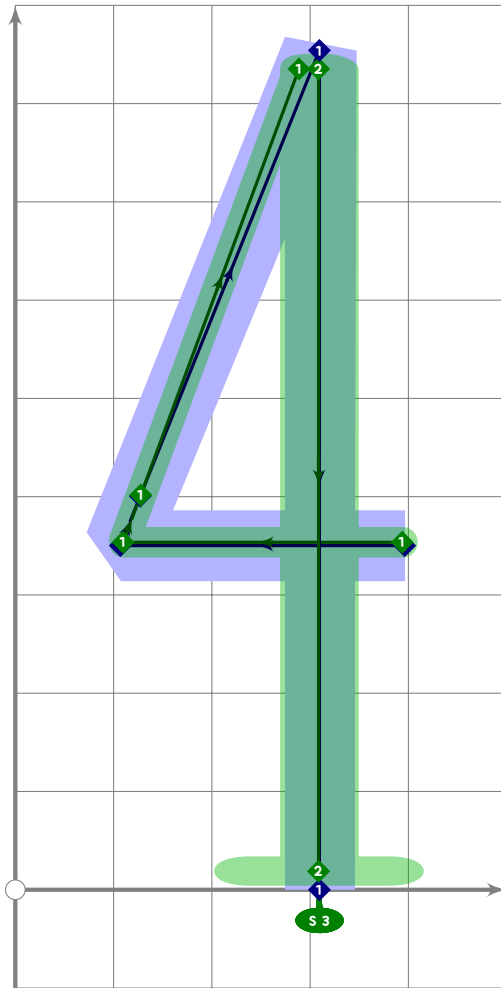
```

numeral.three



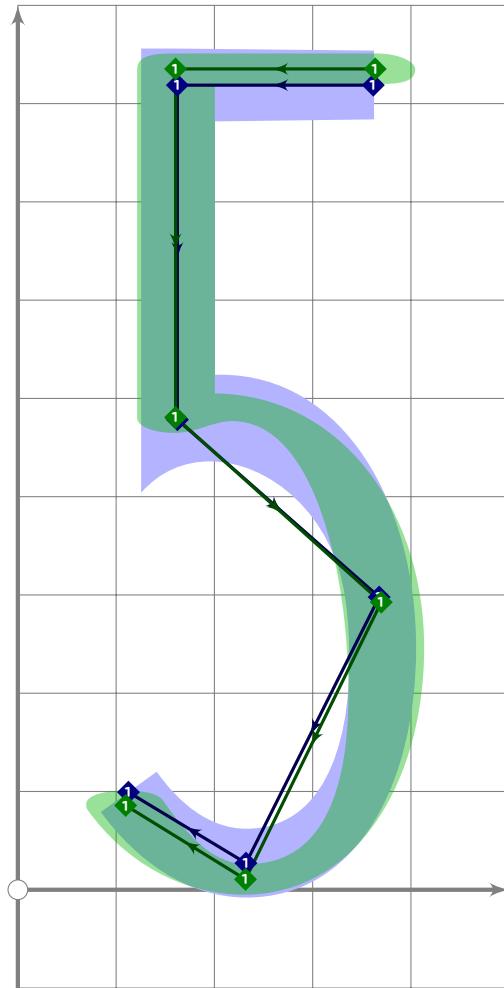
```
230 % 3
231 begint Suglyph("three";51);
232 tsu_curve.numeral.three;
233 tsu_render;
234 endtsuglyph;
235
```

numeral.four

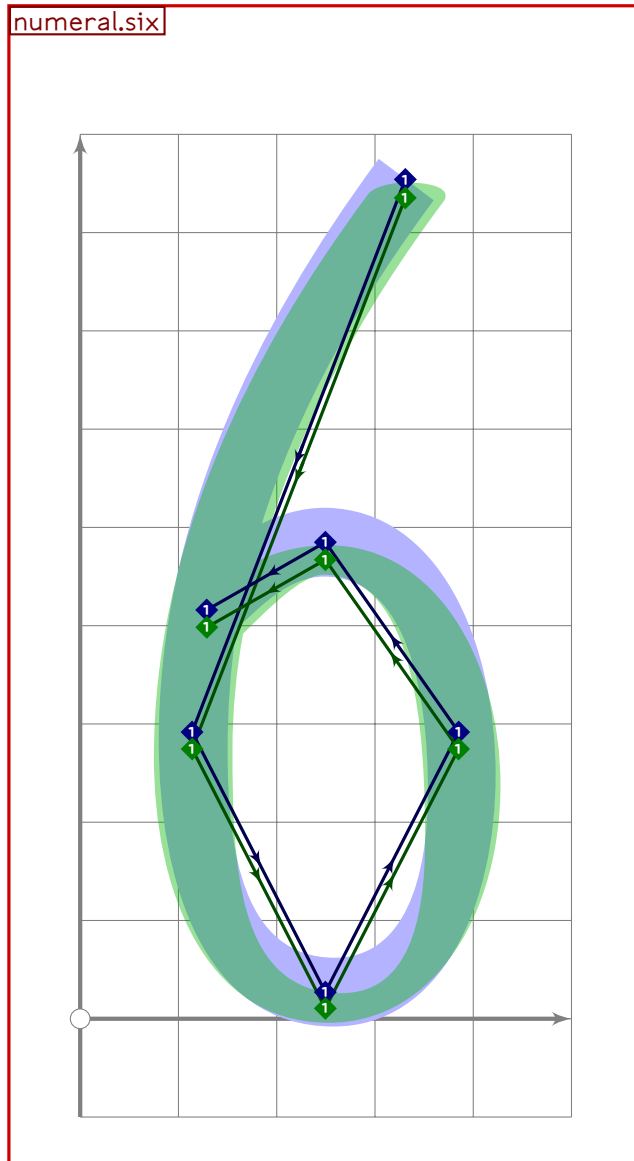


```
236 % 4
237 beginsuglyph("four",52);
238   tsu_curve.numeral.four;
239   tsu_render;
240 endsuglyph;
241
```

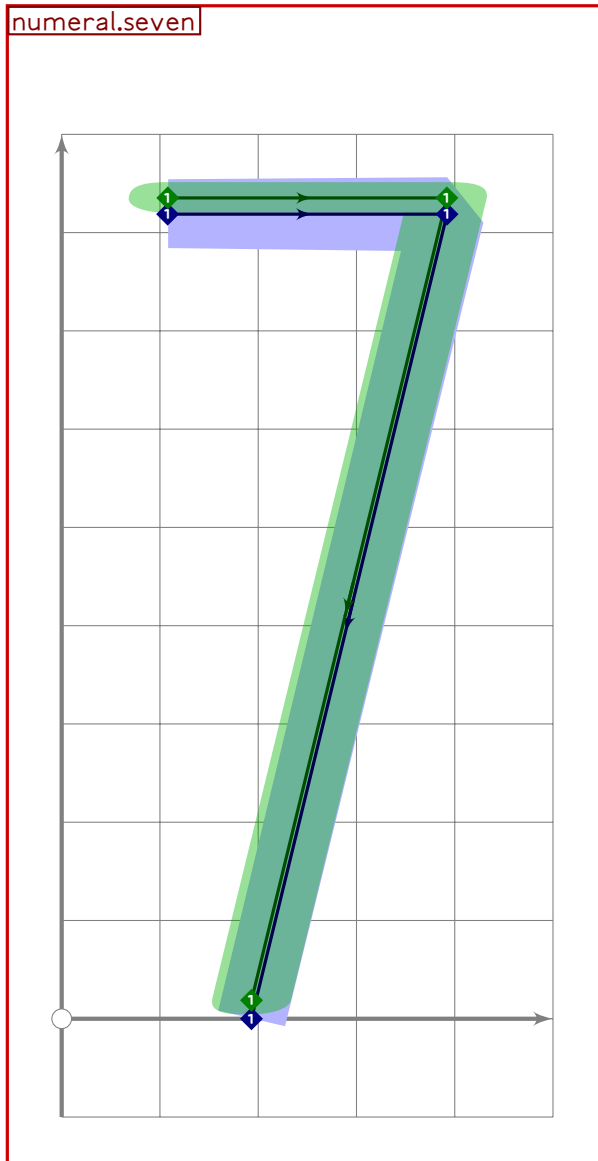
numeral.five



```
242 % 5
243 begint Suglyph("five";53);
244   tsu_curve.numeral.five;
245   tsu_render;
246 endtsuglyph;
247
```

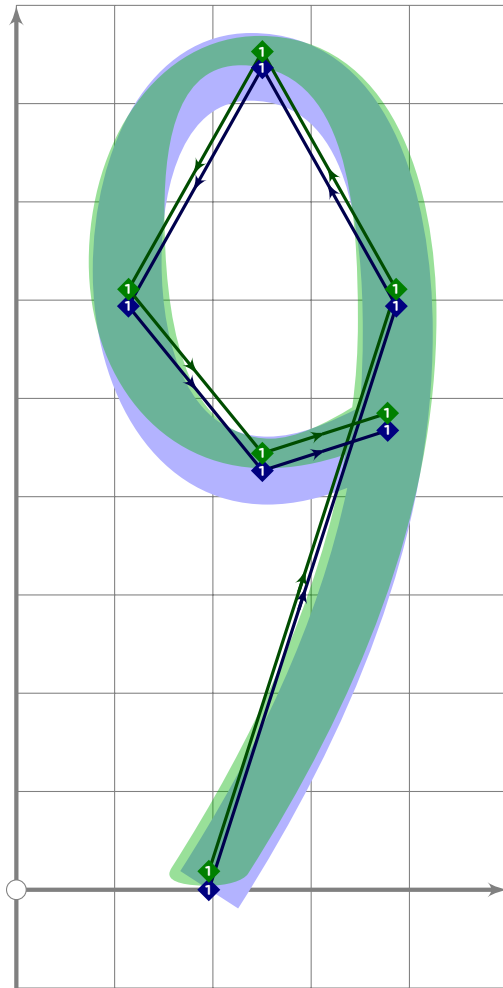



```
248 % 6
249 beginsuglyph("six";54);
250   tsu_curve.numeral.six;
251   tsu_render;
252 endsuglyph;
253
```

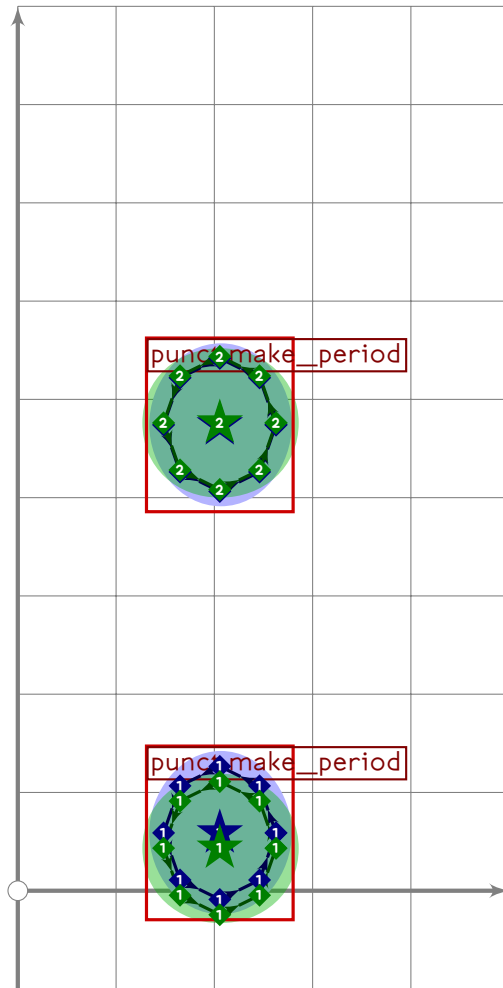


```
254 % 7  
255 begintsuglyph("seven";55);  
256 tsu_curve.numeral.seven;  
257 tsu_render;  
258 endtsuglyph;  
259
```


numeral.nine



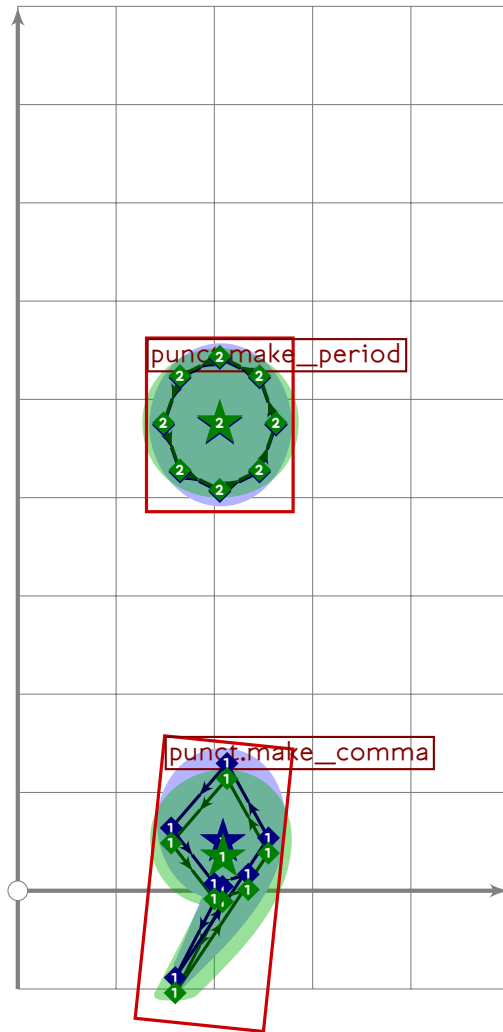
```
266 % 9
267 beginsuglyph("nine";57);
268   tsu_curve.numeral.nine;
269   tsu_render;
270 endsuglyph;
271
```



```

272 % colon
273 begint Suglyph("colon",58);
274   tsu_curve.punct.make__period((380,vmetric(0.03)));
275   tsu_curve.punct.make__period((380,vmetric(0.56)));
276   tsu_render;
277 endsuglyph;
278

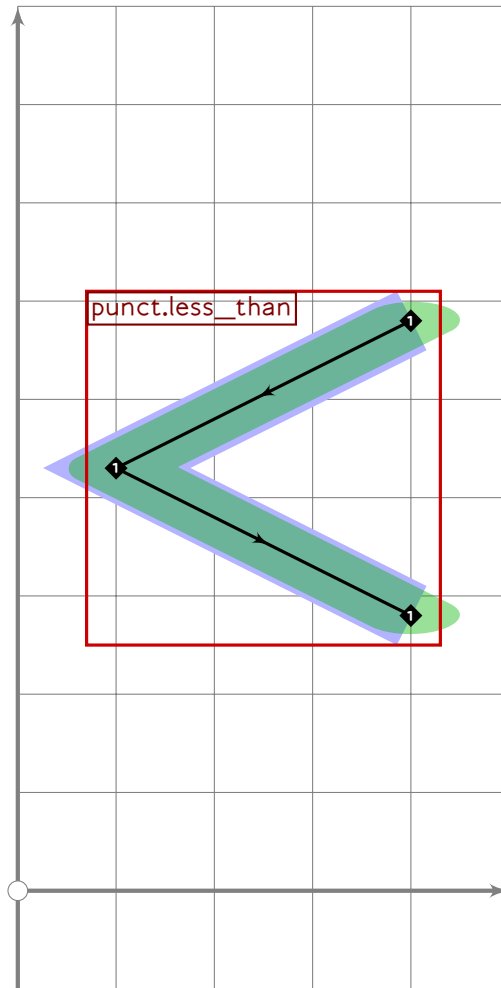
```



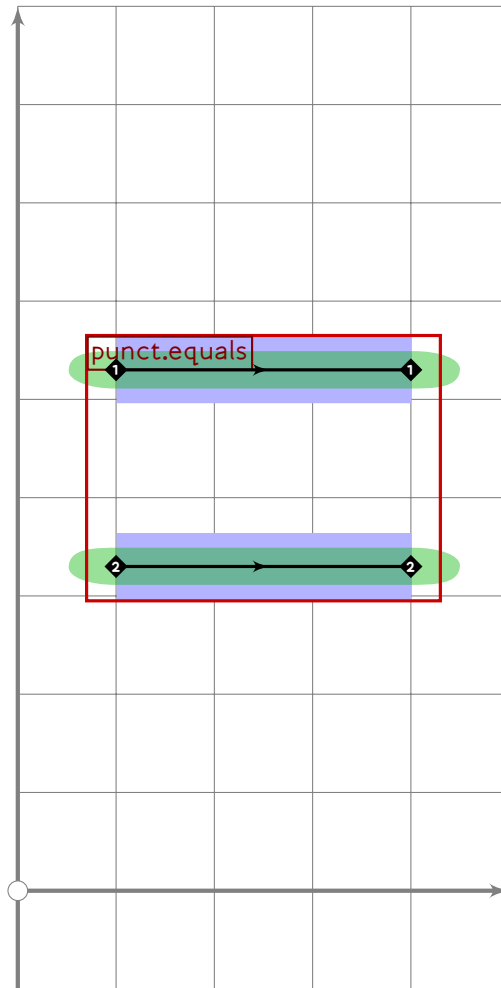
```

279 % semicolon
280 begintsuglyph("semicolon",59);
281 tsu_curve.punct.make__comma((380,vmetric(0.03)),0);
282 tsu_curve.punct.make__period((380,vmetric(0.56)));
283 tsu_render;
284 endsuglyph;
285
286 % WARNING, changing rescale setting
287 tsu_rescale_native_narrow;
288

```



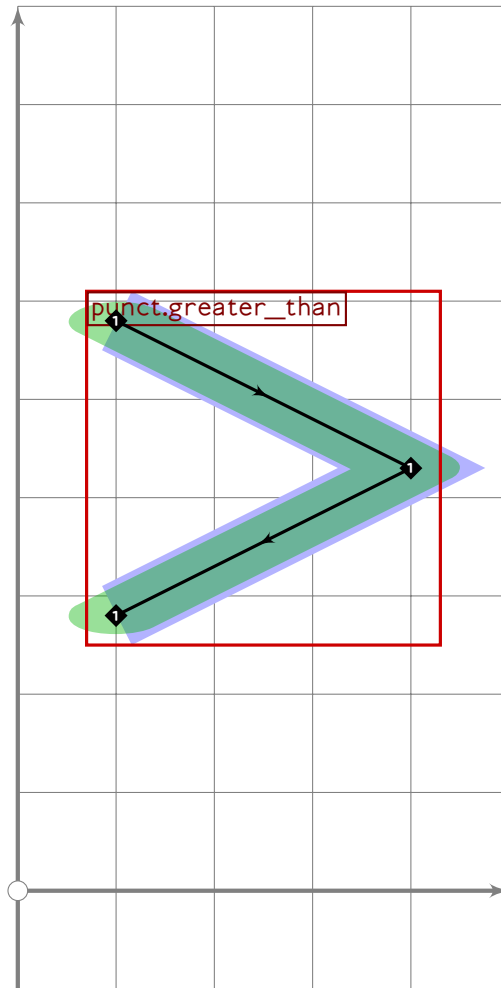
```
289 % less than
290 begintsuglyph("less";60);
291 tsu_curve.punct.less_than
292   (identity scaled (1.5*tsu_punct_size) shifted (250,latin_vcentre));
293 tsu_render;
294 endsuglyph;
295
```



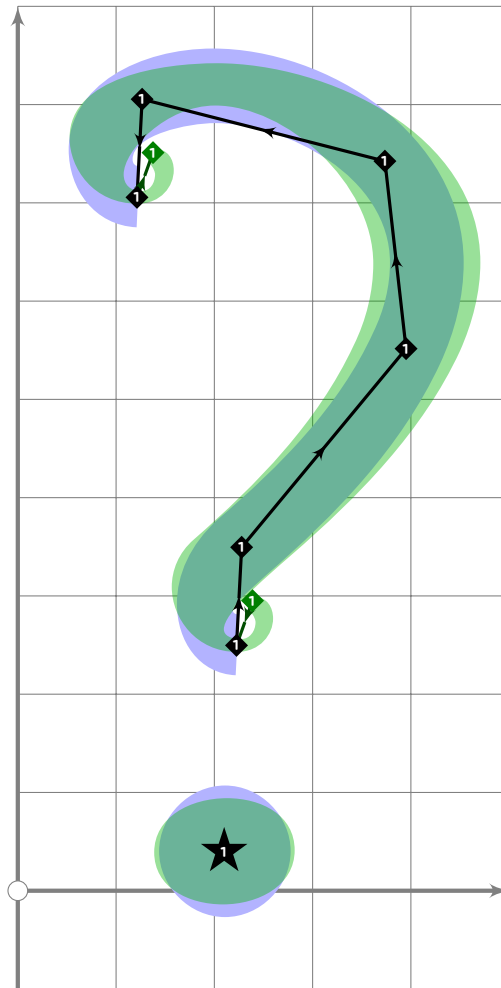
```

296 % equals
297 begint Suglyph("equals",61);
298   tsu_curve.punct.equals
299     (identity scaled (1.5*tsu_punct_size) shifted (250,latin_vcentre));
300   tsu_render;
301   endtsuglyph;
302

```

```
303 % greater than
304 \begintsuglyph("greater";62);
305 \tsu_curve.punct.greater_than
306   (identity scaled (1.5*tsu_punct_size) shifted (250,latin_vcentre));
307 \tsu_render;
308 \endtsuglyph;
309
```



```

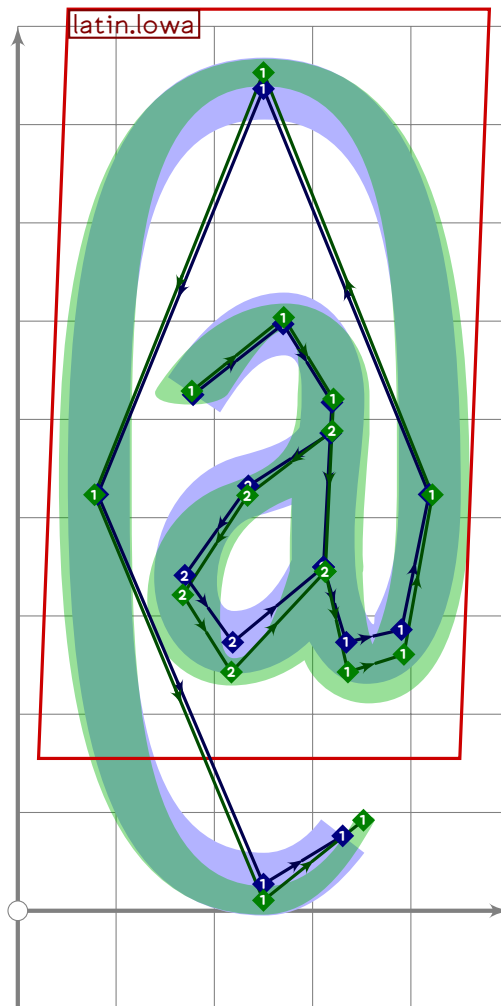
310 % question mark
311 begint Suglyph("question",63);
312     numeric r;
313     if tsu_pbrush_size>=(tsu_punct_size*0.5):
314         lcblob1:=fullcircle
315             xscaled ((tsu_punct_size+tsu_pbrush_size)*0.89)
316             yscaled ((tsu_punct_size+tsu_pbrush_size*tsu_pbrush_shape)*0.89)
317             rotated tsu_pbrush_angle
318             shifted (210,40);
319     else:
320         bp[sp]:=fullcircle scaled tsu_punct_size shifted (210,40);
321         bq[sp]:=(1,1)..(2,2)..(2,2)..(1,1);
322         if tsu_pbrush_size>=30:
323             lcblob1:=bp[sp];
324         fi;
325         sp:=sp+1;
326     fi;
327     r:=tsu_punct_size/2;
328
329     bp[sp]:=(210,300){right}..(210,300-r){left}..
330         (210,300+r)..(210+2.5*r,750)..

```

```

331 tension 1.3..(210-2.5*r,750+r)..
332 (210-2.5*r,750-r){right}..
333 (210-2.5*r,750){left};
334 bp[sp]:=insert__nodes(bp[sp])(2.5);
335 bp[sp]:=bp[sp] rotatedaround ((210,10),3);
336 bq[sp]:=(0.8,0.8)-(1,1)-(2,2)-(2,2)-(2,2)-(2,2)-(1,1)-(0.8,0.8);
337 sp:=sp*1;
338
339 tsu_render;
340 endtsuglyph;
341
342 % WARNING, changing rescale setting
343 tsu_rescale_half;
344

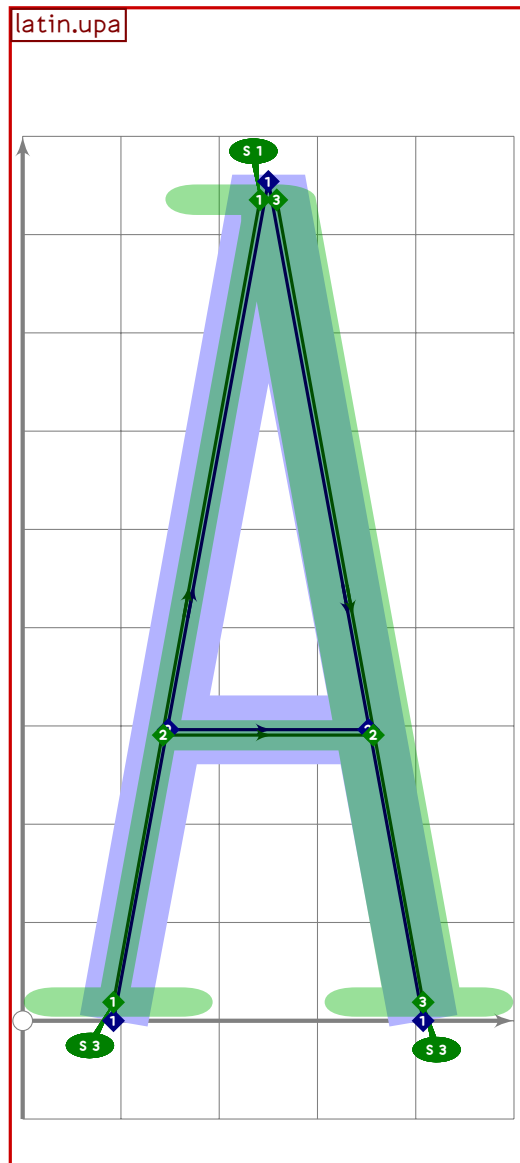
```



```

345 % commercial at
346 begint Suglyph("at",64);
347 tsu_curve.punct.atsign;
348 tsu_render;
349 endtsuglyph;
350

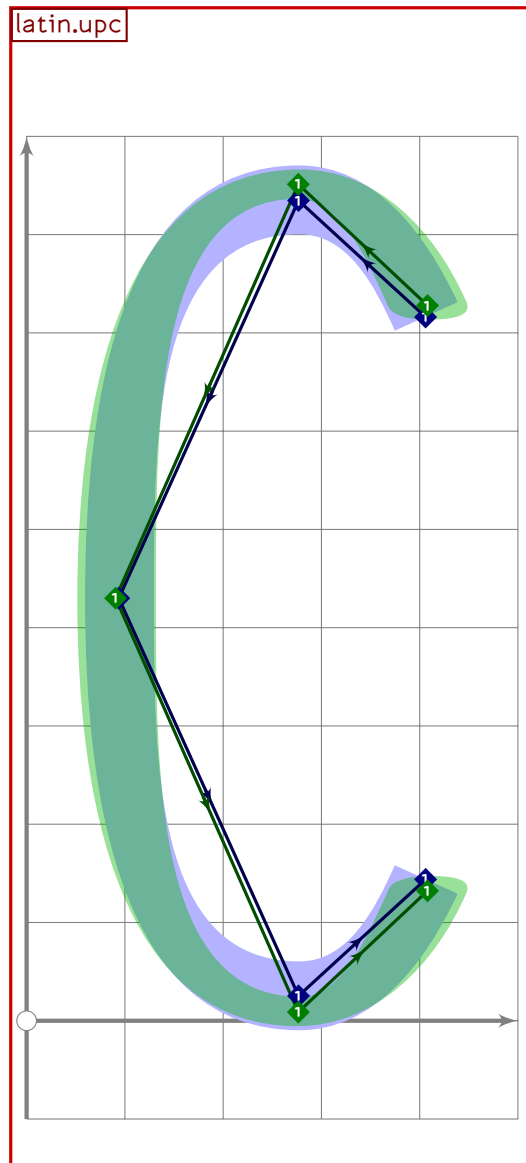
```



```

351 % A
352 begint Suglyph("A",65);
353   tsu_curve.latin.upa;
354   tsu_render;
355 endtsuglyph;
356

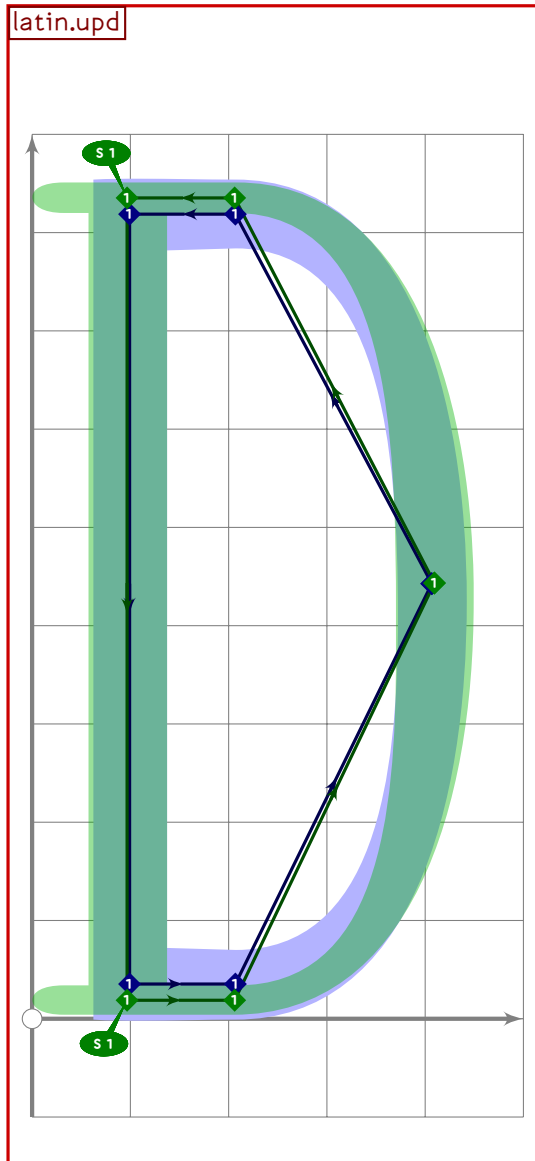
```

```

363 % C
364 begint Suglyph("C",67);
365   tsu_curve.latin.upc;
366   tsu_render;
367 endtsuglyph;
368

```

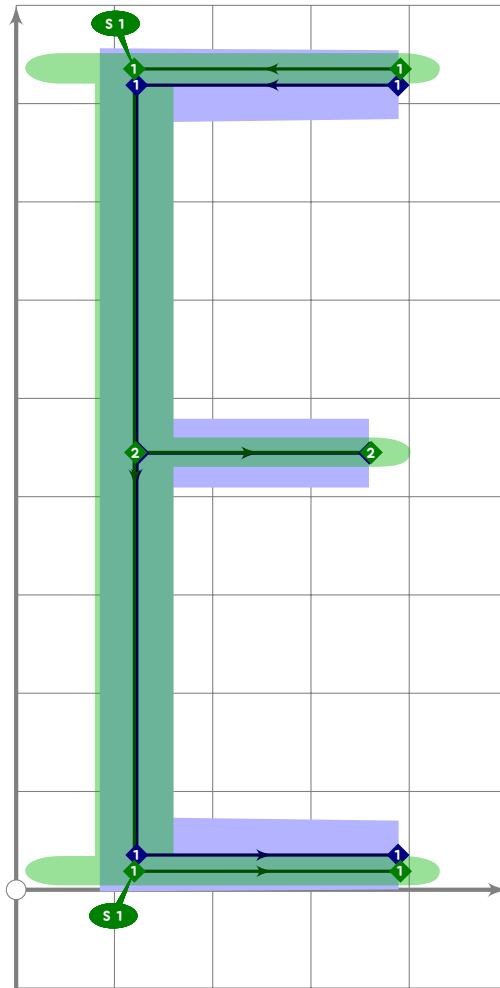


```

369 % D
370 begint Suglyph("D",68);
371   tsu_curve.latin.upd;
372   tsu_render;
373 endtsuglyph;
374

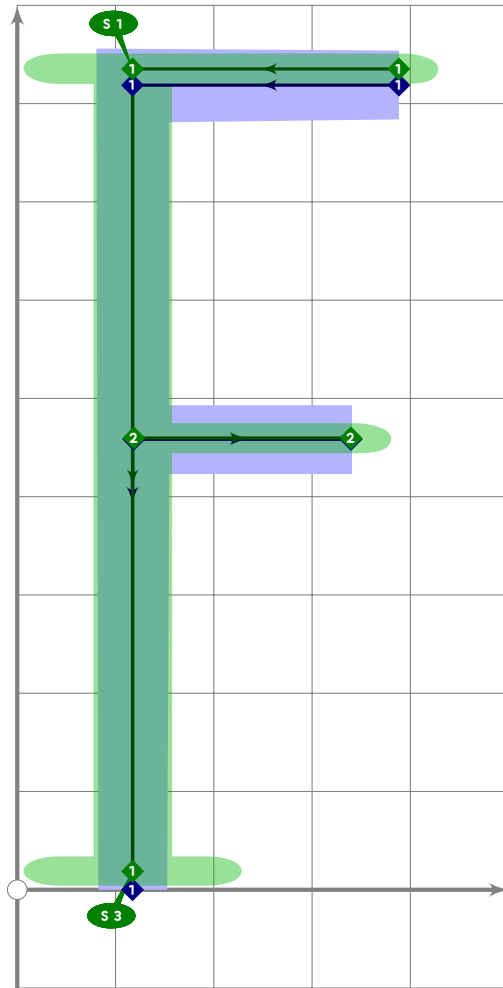
```

latin.upe

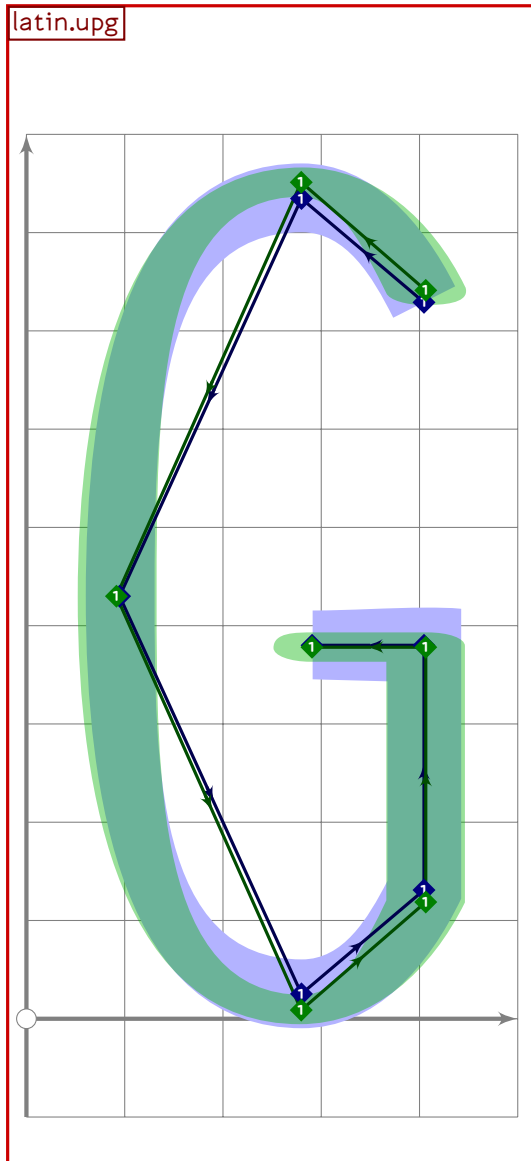


```
375 % E
376 begint Suglyph("E";69);
377 tsu_curve.latin.upe;
378 tsu_render;
379 endtsuglyph;
380
```


latin.upf

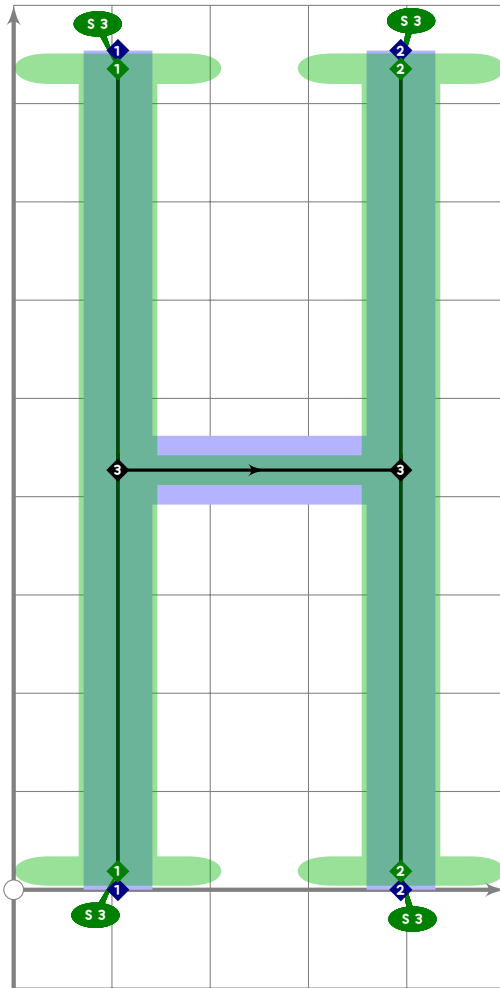


```
381 % F
382 beginsuglyph("F";70);
383 tsu_curve.latin.upf;
384 tsu_render;
385 endsuglyph;
386
```



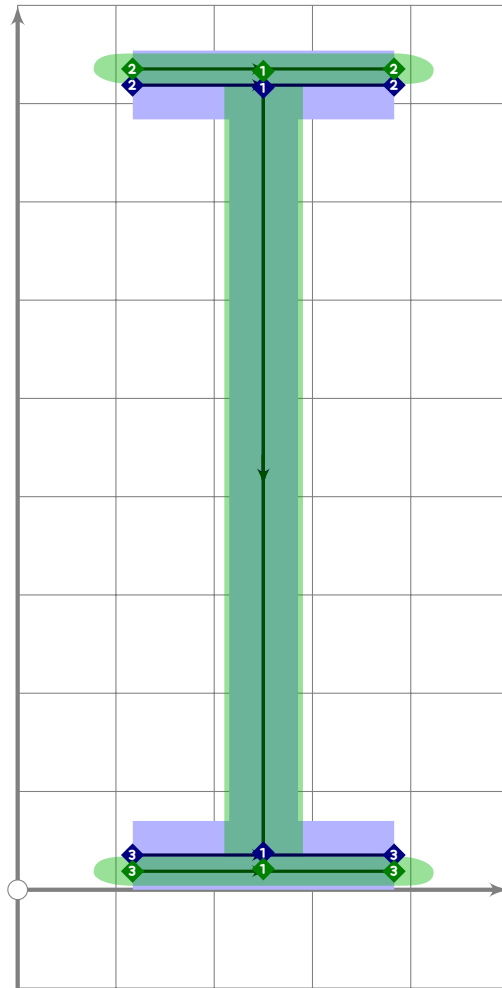
```
387 % G
388 begint Suglyph("G";71);
389   tsu_curve.latin.upg;
390   tsu_render;
391 endtsuglyph;
392
```

latin.uph



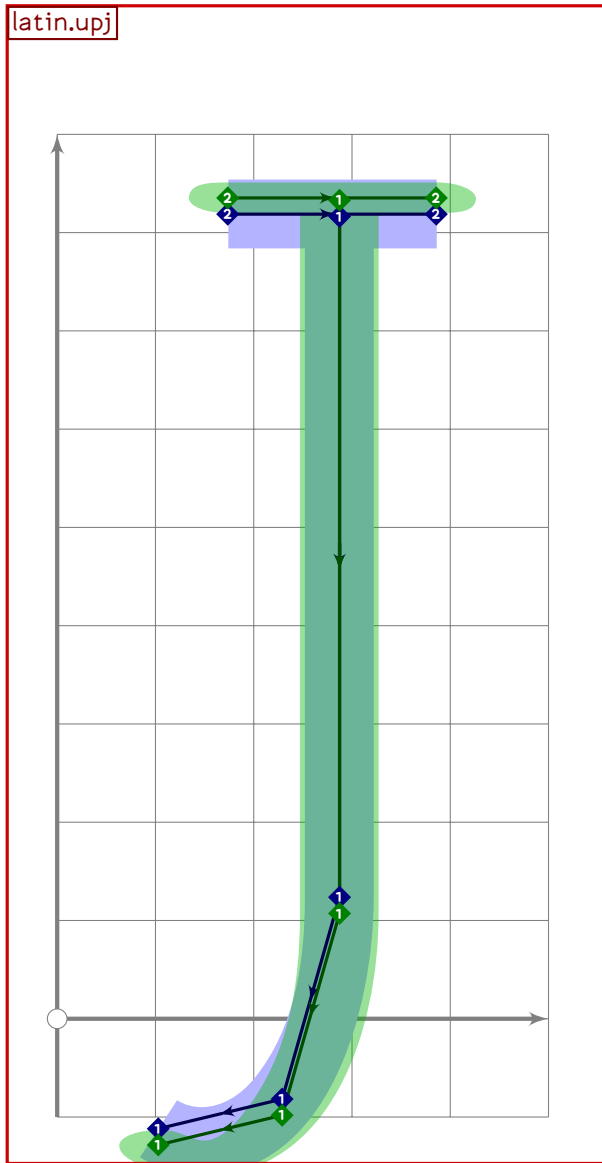
```
393 % H
394 beginsuglyph("H";72);
395   tsu_curve.latin.uph;
396   tsu_render;
397 endsuglyph;
398
```

latin.upi



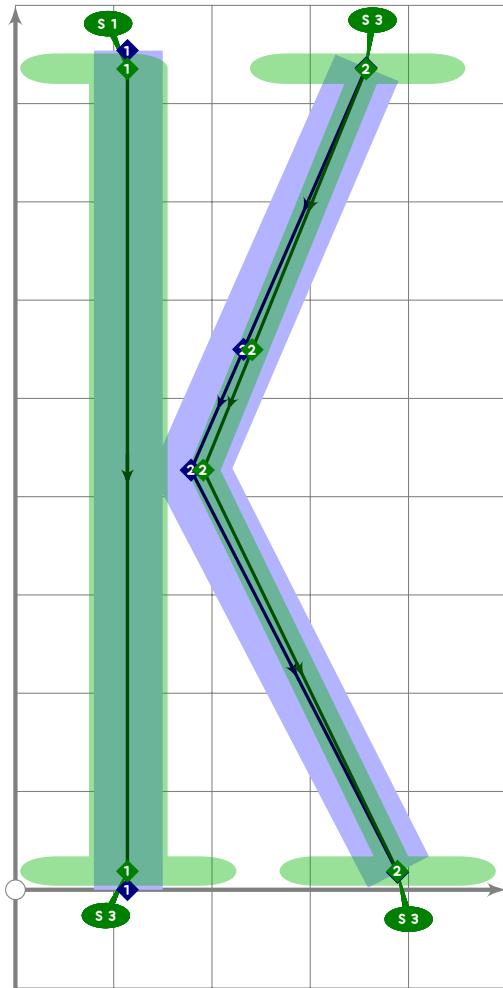
```
399 % I
400 beginsuglyph("I";73);
401   tsu_curve.latin.upi;
402   tsu_render;
403 endsuglyph;
404
```

latin.upj



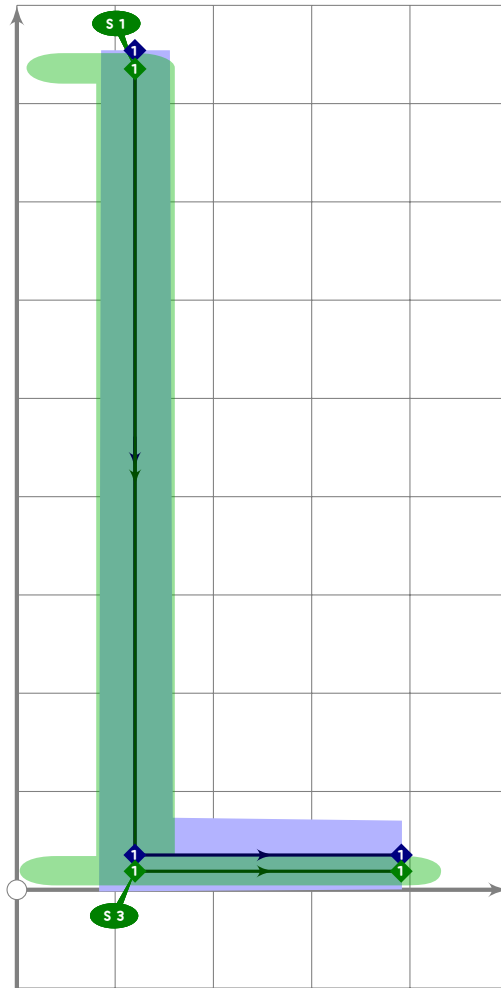
```
405 % J
406 beginsuglyph("J";74);
407   tsu_curve.latin.upj;
408   tsu_render;
409 endsuglyph;
410
```

latin.upk

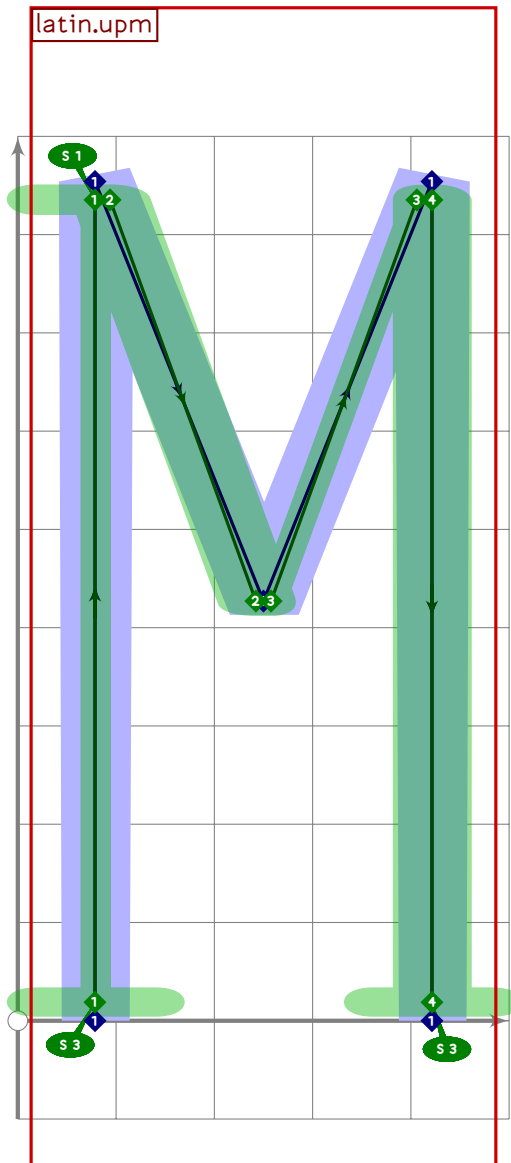


```
411 % K
412 begint Suglyph("K";75);
413 tsu_curve.latin.upk;
414 tsu_render;
415 endtsuglyph;
416
```

latin.upl



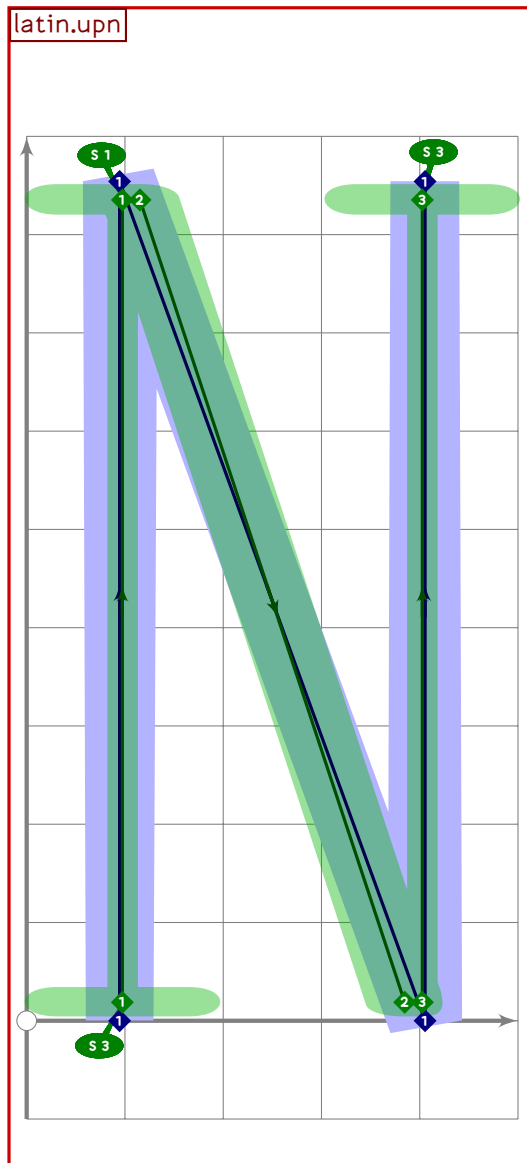
```
417 % L
418 begintsuglyph("L",76);
419 tsu_curve.latin.upl;
420 tsu_render;
421 endsuglyph;
422
```



```

423 % M
424 begintsuglyph("M";77);
425   tsu_curve.latin.upm;
426   tsu_render;
427 endsuglyph;
428

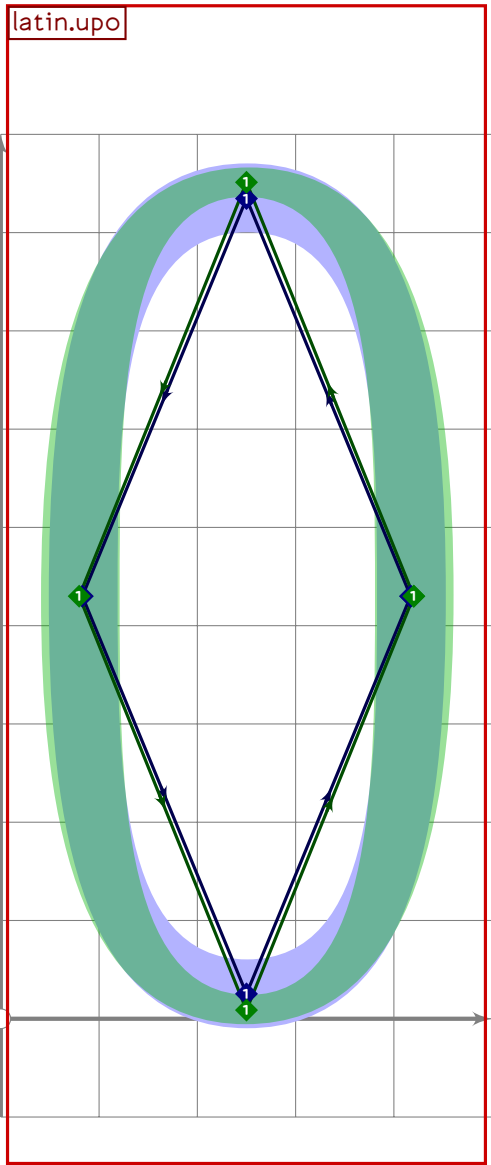
```

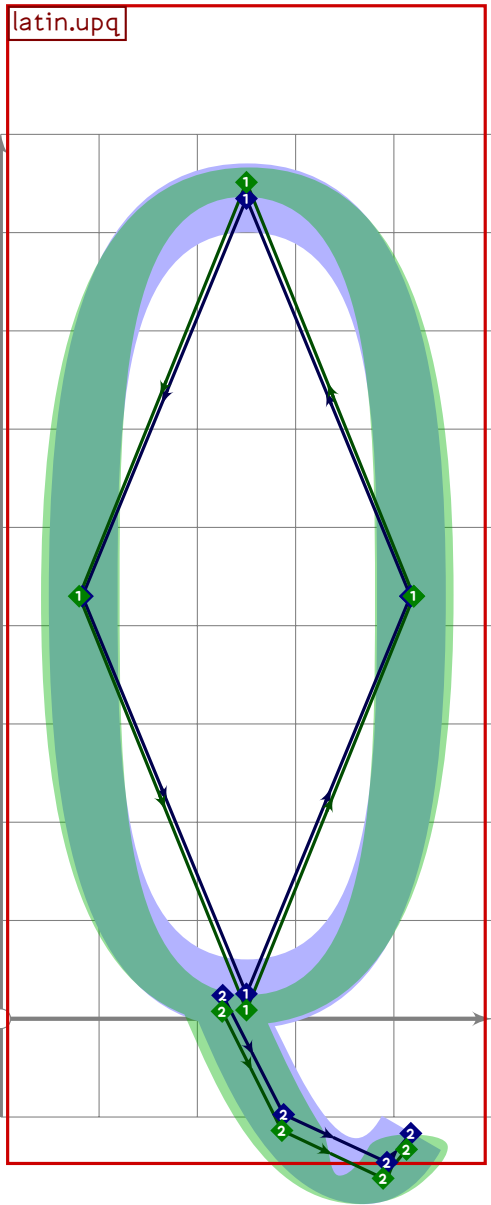
```

429 % N
430 begintsuglyph("N";78);
431 tsu_curve.latin.upn;
432 tsu_render;
433 endsuglyph;
434

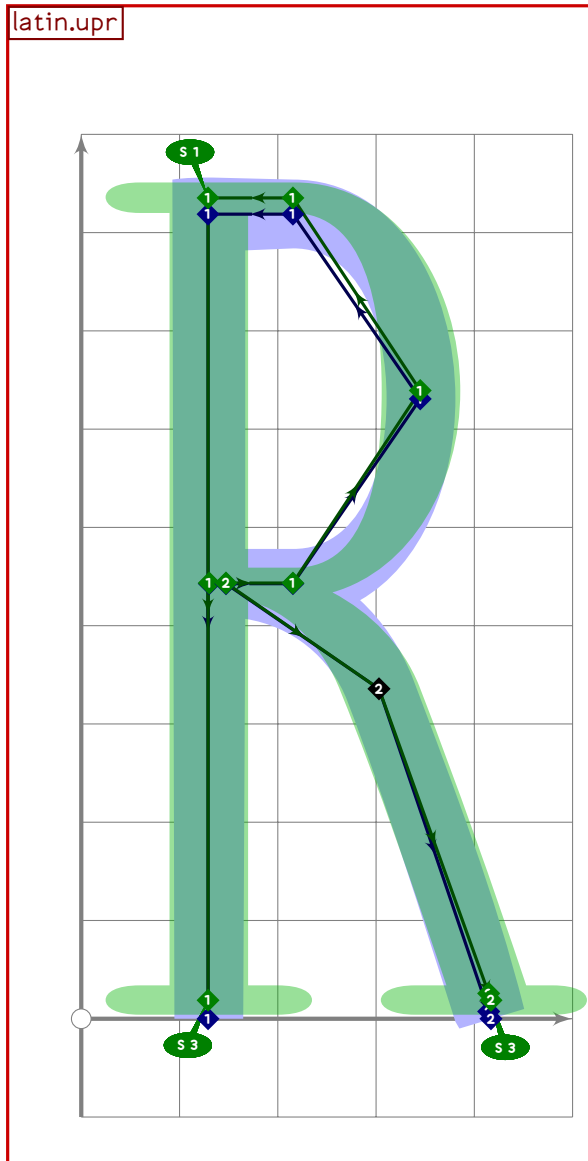
```



```
435 % O
436 beginsuglyph("O";79);
437 tsu_curve.latin.upo;
438 tsu_render;
439 endsuglyph;
440
```

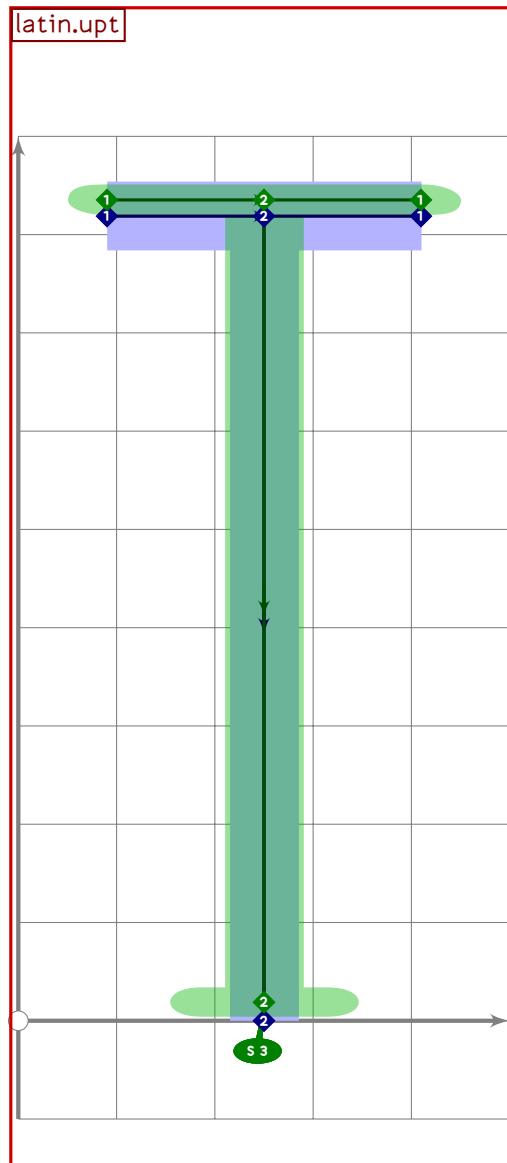
```
447 % Q
448 begintsuglyph("Q";81);
449 tsu_curve.latin.upq;
450 tsu_render;
451 endsuglyph;
452
```



```

453 % R
454 begint Suglyph("R";82);
455   tsu_curve.latin.upr;
456   tsu_render;
457 endtsuglyph;
458

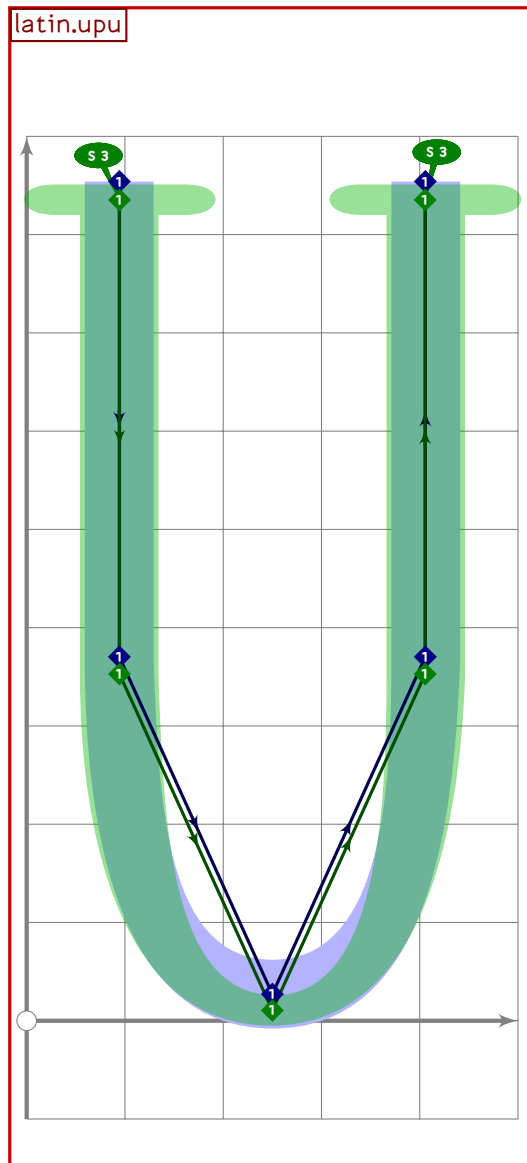
```

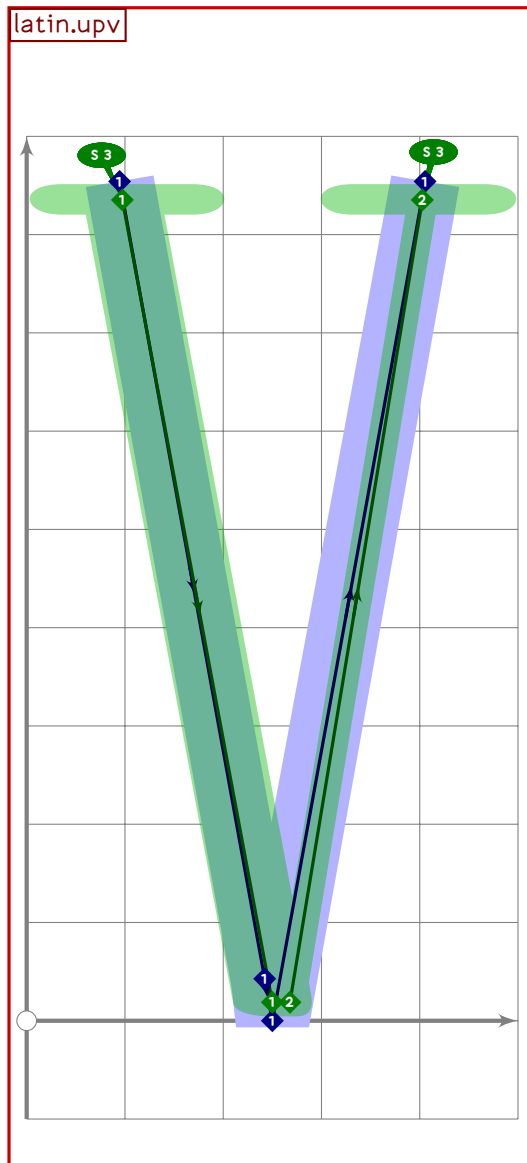
```

465 % T
466 begintsuglyph("T";84);
467 tsu_curve.latin.upt;
468 tsu_render;
469 endsuglyph;
470

```



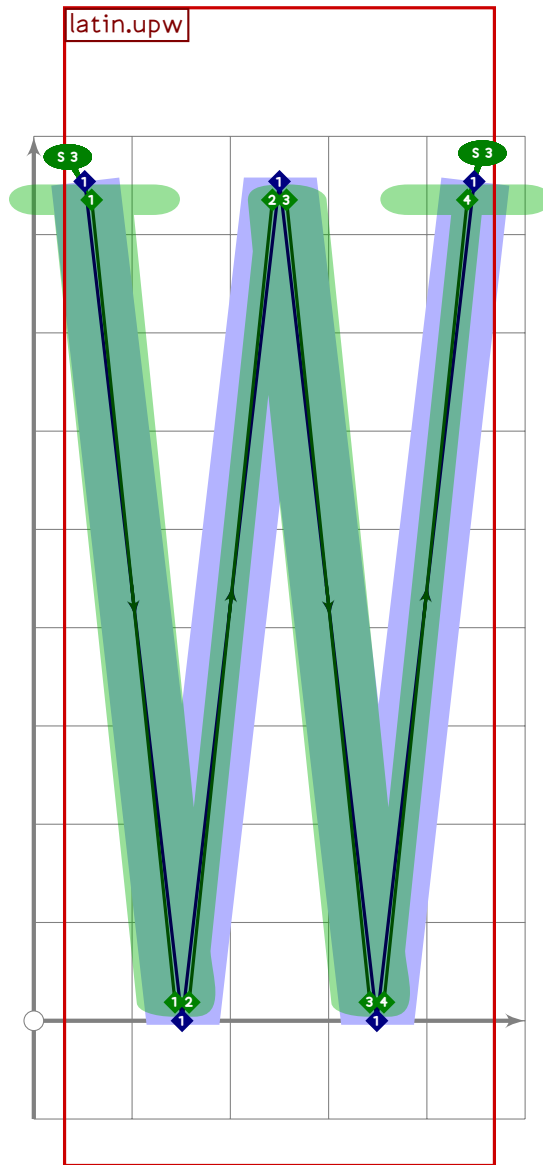
```
471 % U
472 begintsuglyph("U";85);
473 tsu_curve.latin.upu;
474 tsu_render;
475 endtsuglyph;
476
```

```

477 % V
478 begint Suglyph("V";86);
479   tsu_curve.latin.upv;
480   tsu_render;
481 endtsuglyph;
482

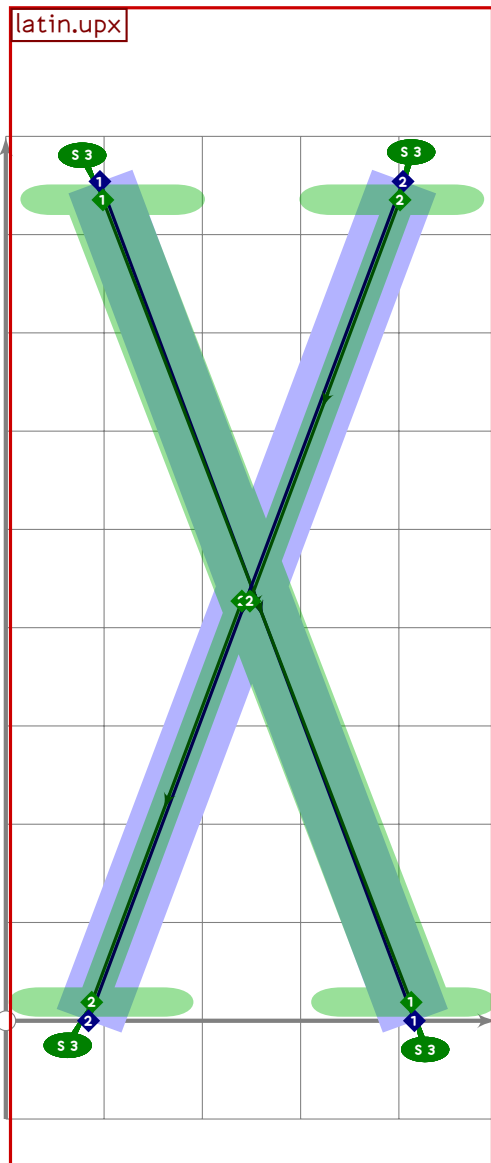
```



```

483 % W
484 begint Suglyph("W",87);
485   tsu_curve.latin.upw;
486   tsu_render;
487 endtsuglyph;
488

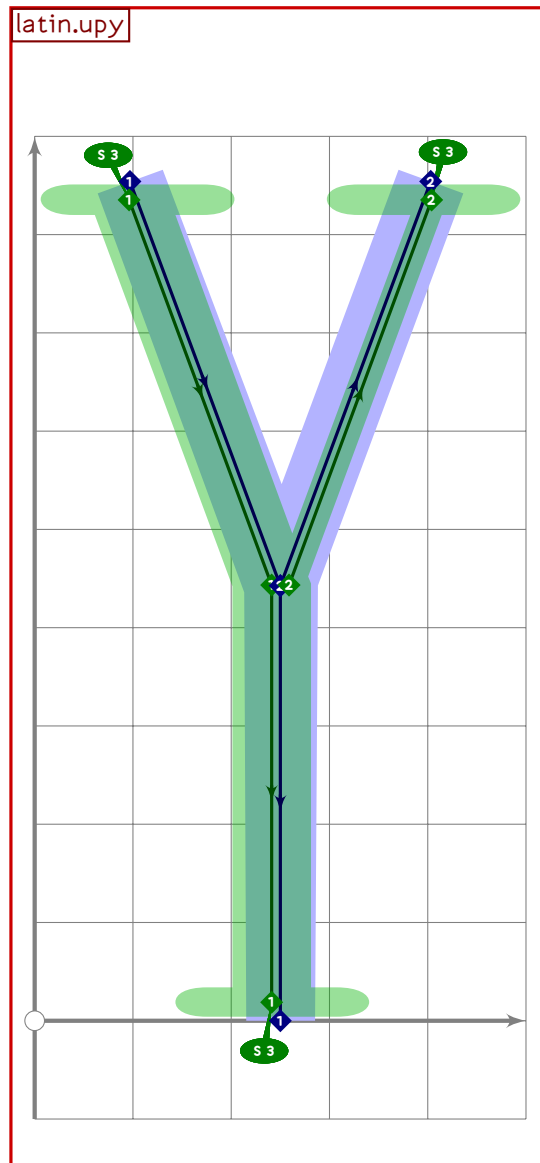
```



```

489 % X
490 begint Suglyph("X";88);
491   tsu_curve.latin.upx;
492   tsu_render;
493 endtsuglyph;
494

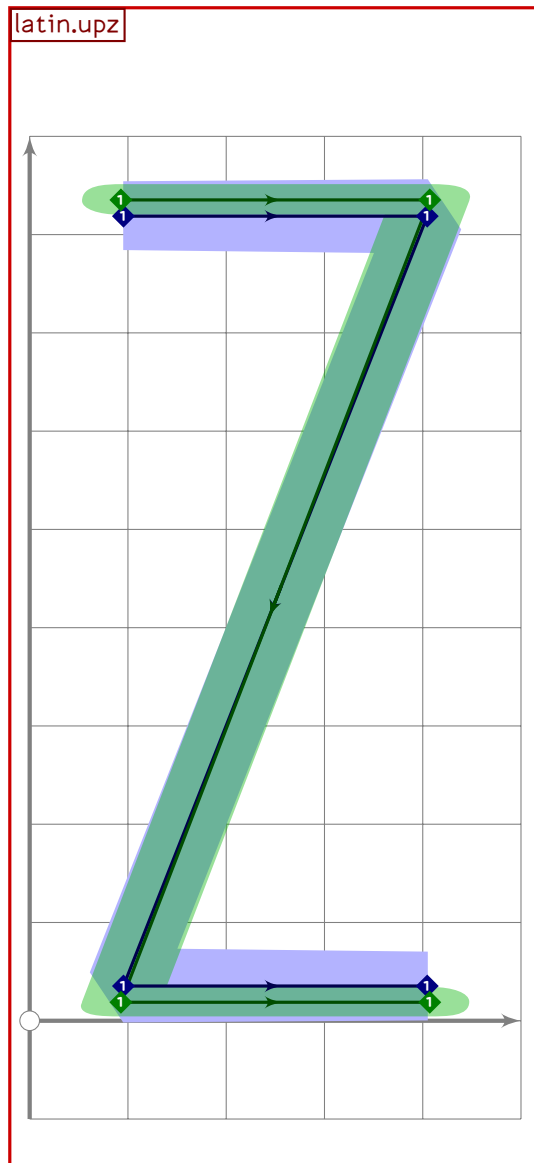
```



```

495 % Y
496 begint Suglyph("Y";89);
497   tsu_curve.latin.upy;
498   tsu_render;
499 endtsuglyph;
500

```

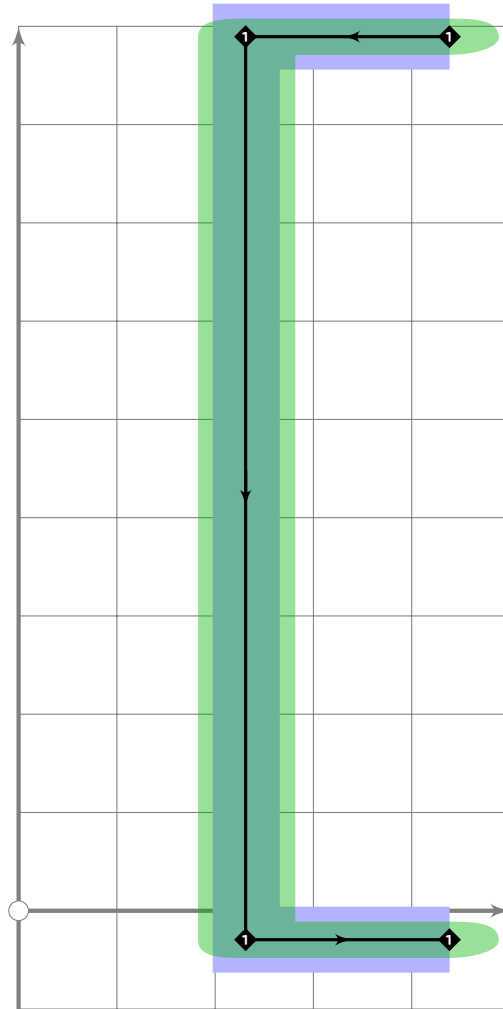


```

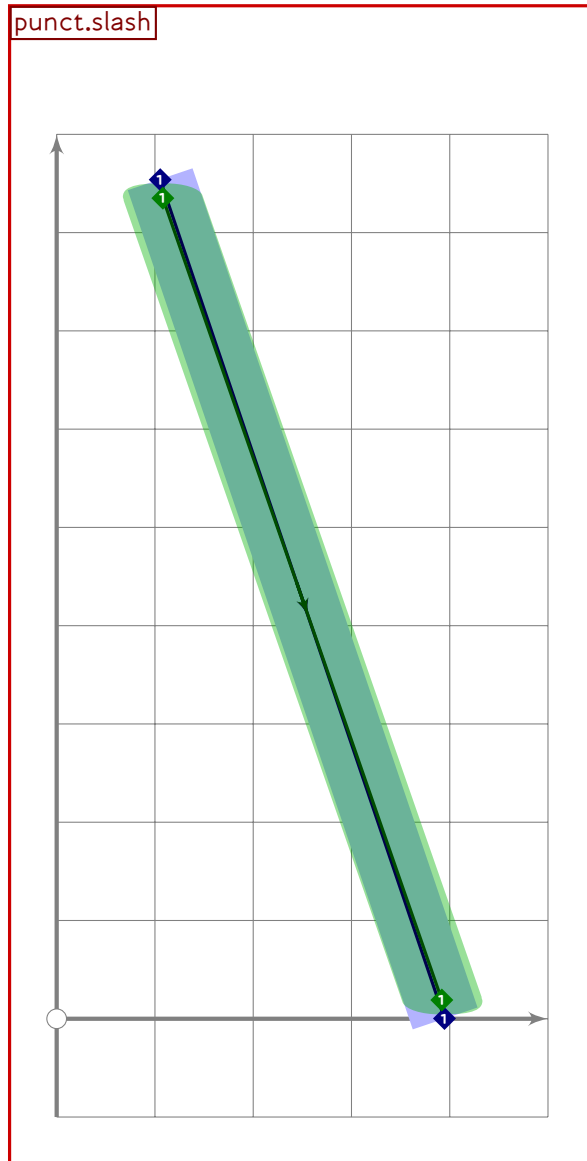
501 % Z
502 begintsuglyph("Z";90);
503 tsu_curve.latin.upz;
504 tsu_render;
505 endsuglyph;
506
507 % left and right square brackets, backslash between
508 tsu_curve.punct.sqb_intro;

```

punct.sqb_left



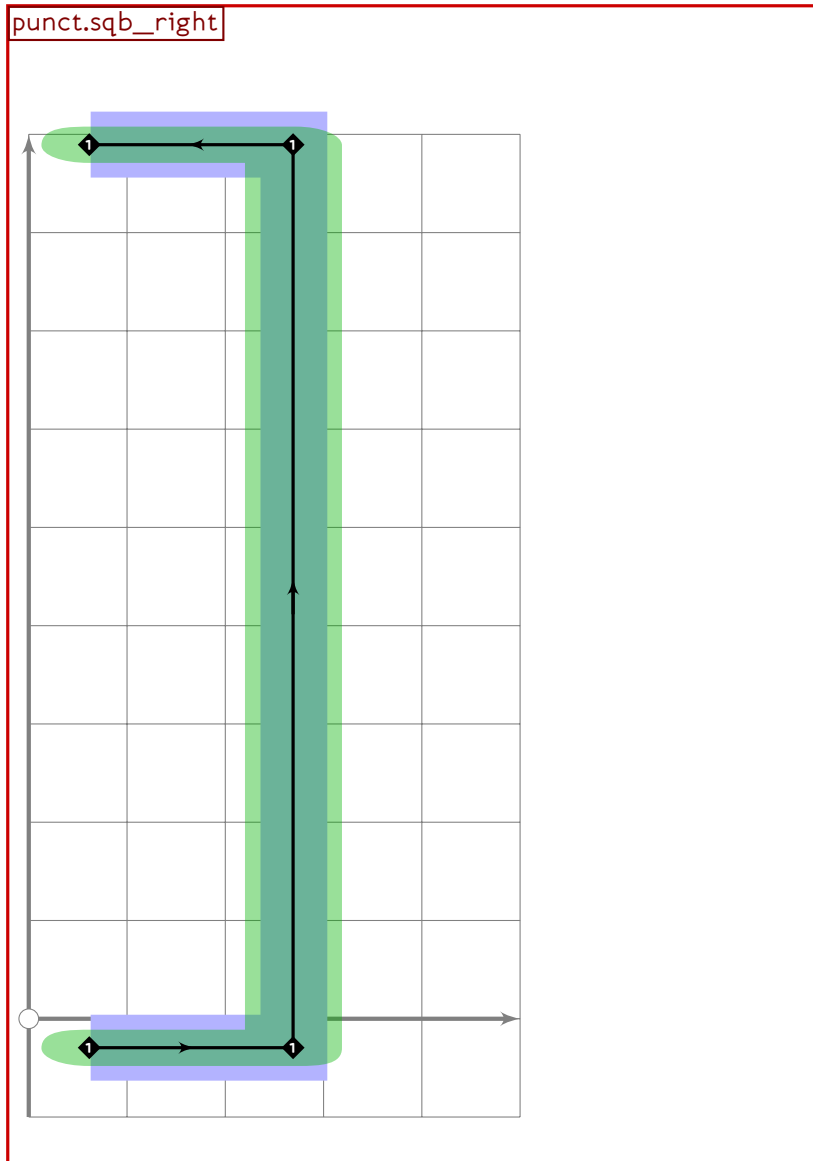
```
509 begint Suglyph("bracketleft";91);  
510   tsu_curve.punct.sqb_left;  
511   tsu_render;  
512 endsuglyph;
```



```

513 % backslash
514 begint Suglyph("backslash";92);
515   tsu_curve.punct.slash;
516   bp1:=bp1 reflectedabout (centre_pt,(centre_pt*down));
517   tsu_render;
518 endtsuglyph;

```

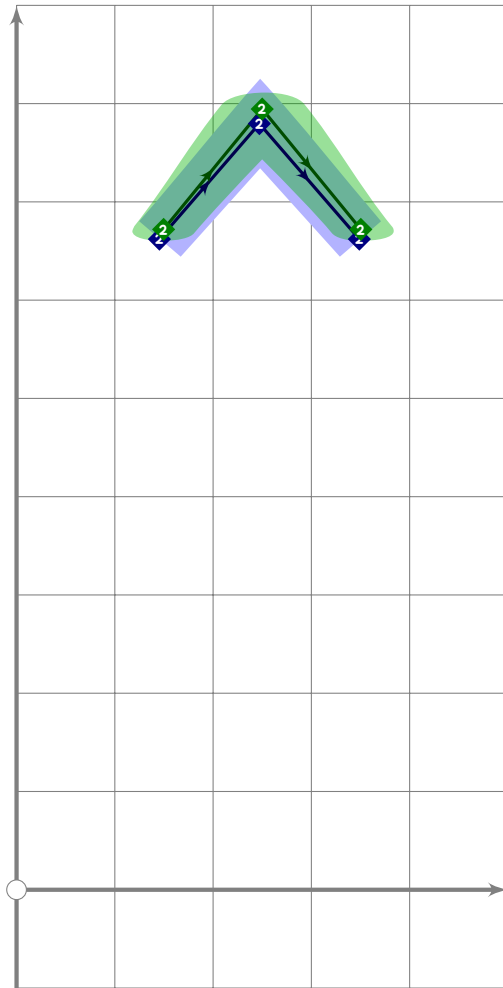


```

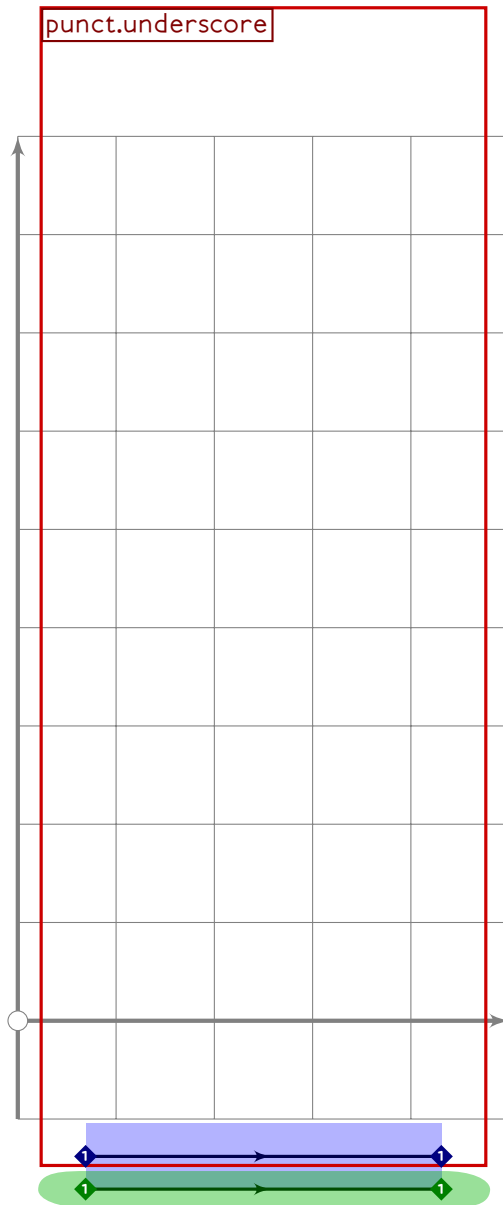
519 begint Suglyph("bracketright";93);
520   tsu_curve.punct.sqb_right;
521   tsu_render;
522 endsuglyph;
523

```


latin.love



```
524 % circumflex accent/caret
525 begintsuglyph("asciicircum";94);
526 tsu_accent.circumflex(tsu_curve.latin.love);
527 bo_size[1]=0;
528 tsu_render;
529 endtsuglyph;
530
```

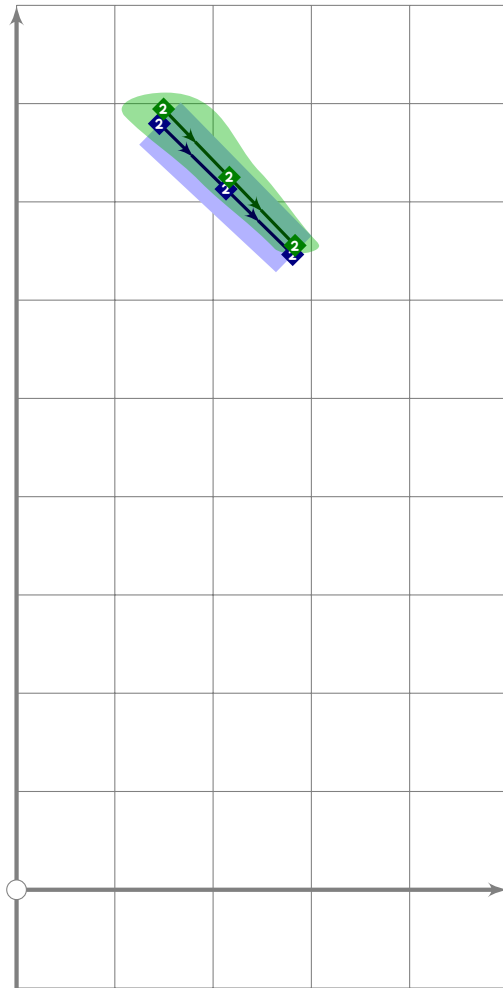


```

531 % underscore
532 begintsuglyph("underscore";95);
533 tsu_curve.punct.underscore;
534 tsu_render;
535 endtsuglyph;
536

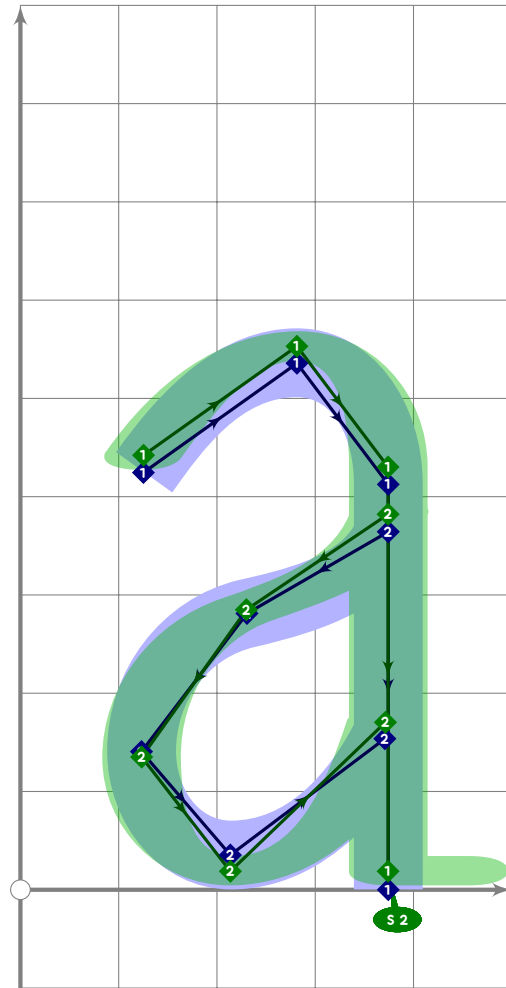
```

latin.love

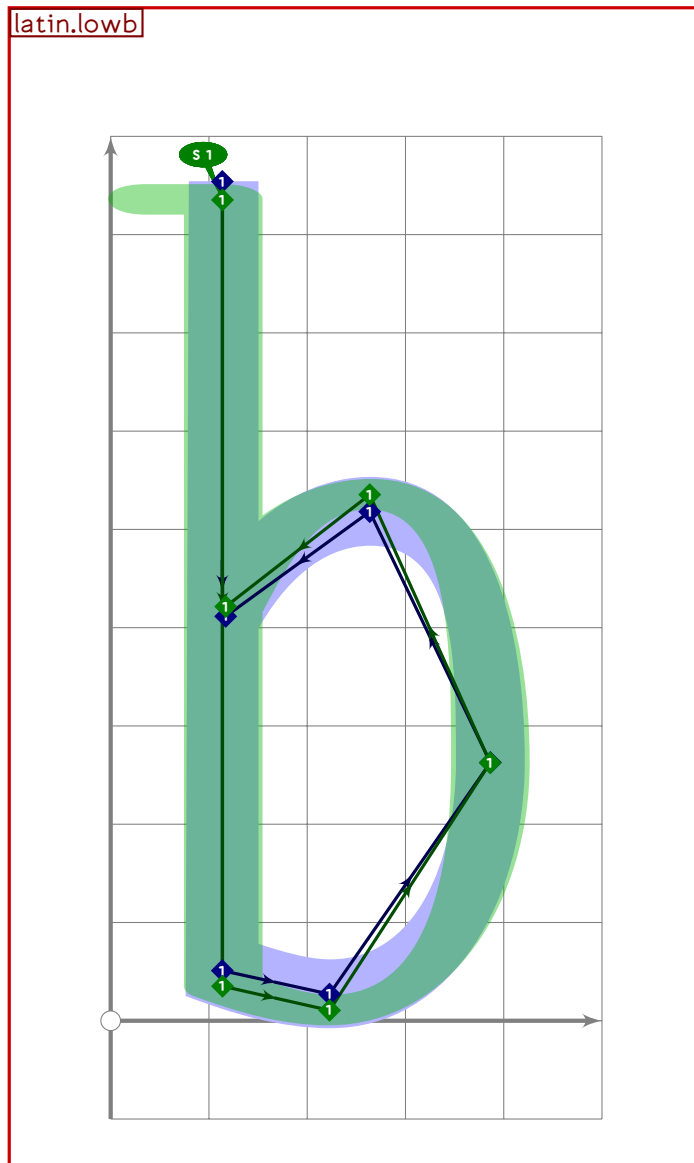


```
537 % grave accent
538 begintsuglyph("grave";96);
539 tsu_accent.grave(tsu_curve.latin.love);
540 bo_size[1]=0;
541 tsu_render;
542 endtsuglyph;
543
544 % WARNING changing rescale setting
545 tsu_rescale_half_lc;
546
```

latin.lowa

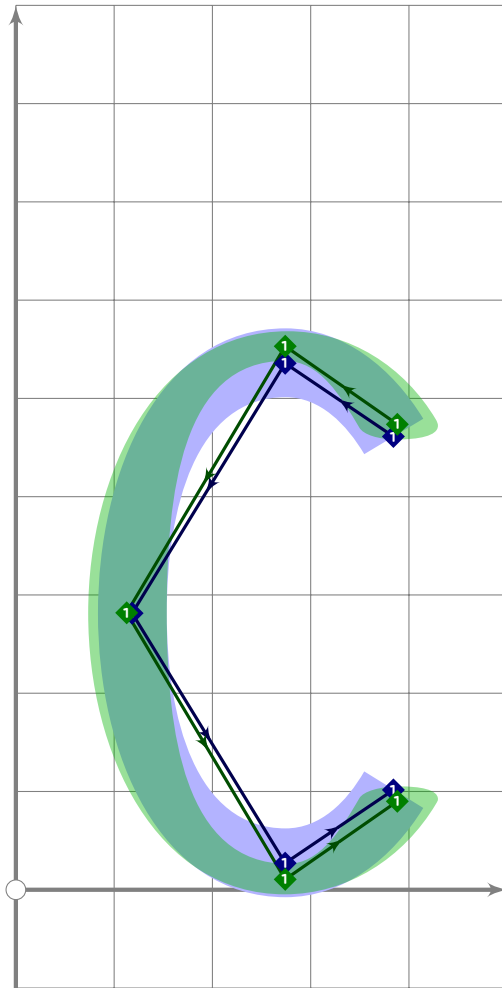


```
547 % a
548 begintuglyph("a";97);
549 tsu_curve.latin.lowa;
550 tsu_render;
551 endtuglyph;
552
```



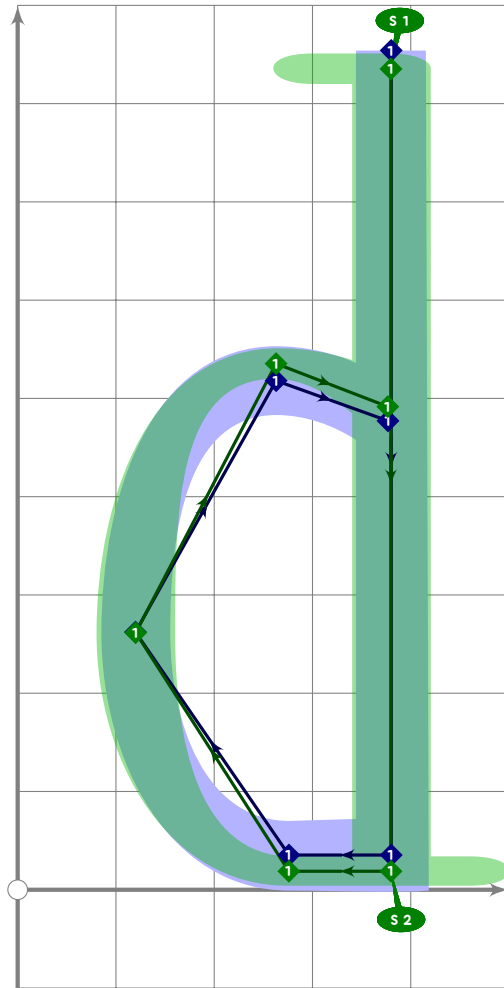
```
553 % b
554 begint Suglyph("b";98);
555   tsu_curve.latin.lowb;
556   tsu_render;
557 endtsuglyph;
558
```

latin.lowc



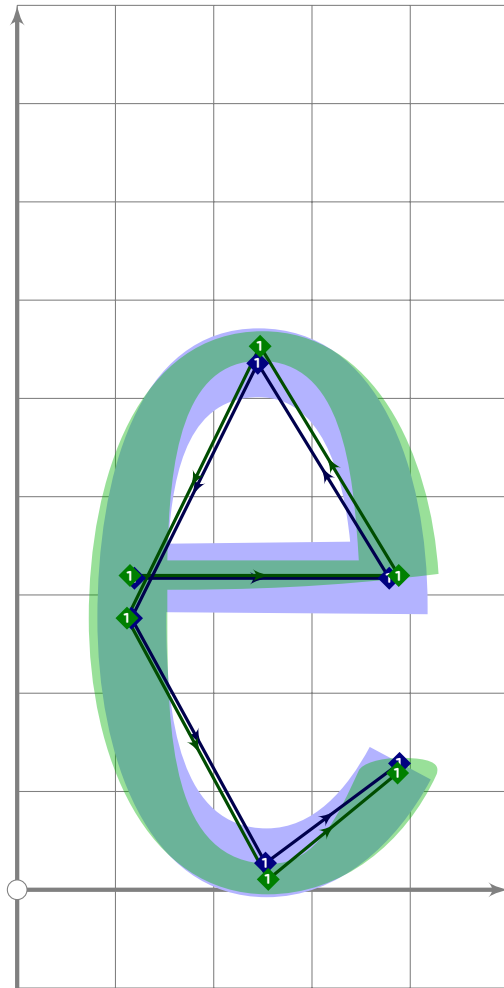
```
559 % c
560 beginsuglyph("c";99);
561   tsu_curve.latin.lowc;
562   tsu_render;
563 endsuglyph;
564
```

latin.lowd



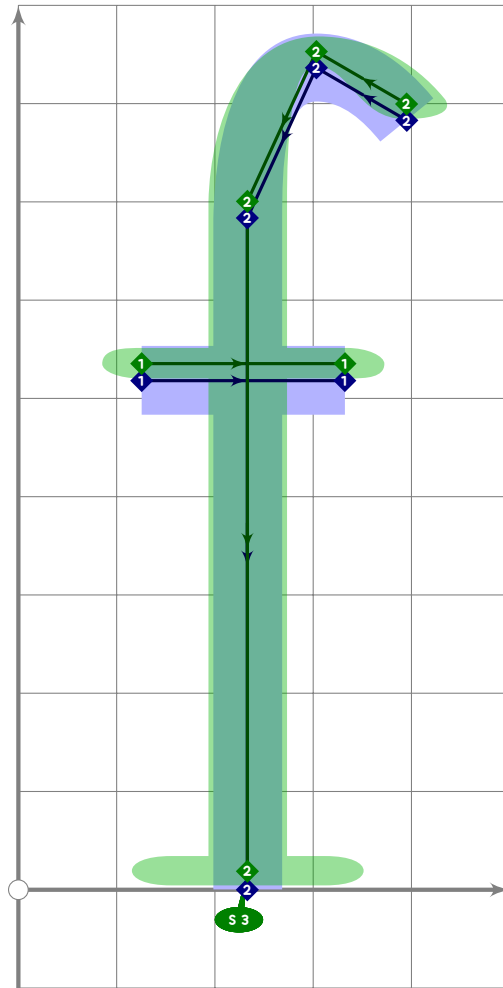
```
565 % d
566 begint Suglyph("d";100);
567   tsu_curve.latin.lowd;
568   tsu_render;
569 endtsuglyph;
570
```

latin.lowe



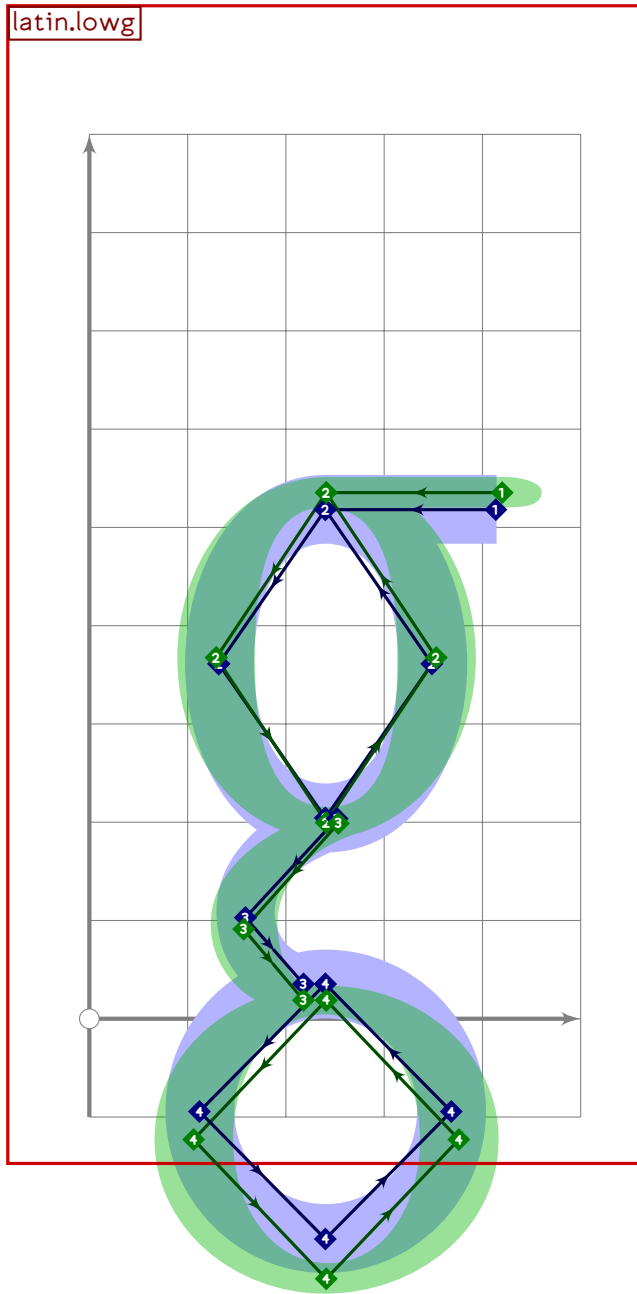
```
571 % e
572 begint Suglyph("e";101);
573 tsu_curve.latin.lowe;
574 tsu_render;
575 endtsuglyph;
576
```


latin.lowf



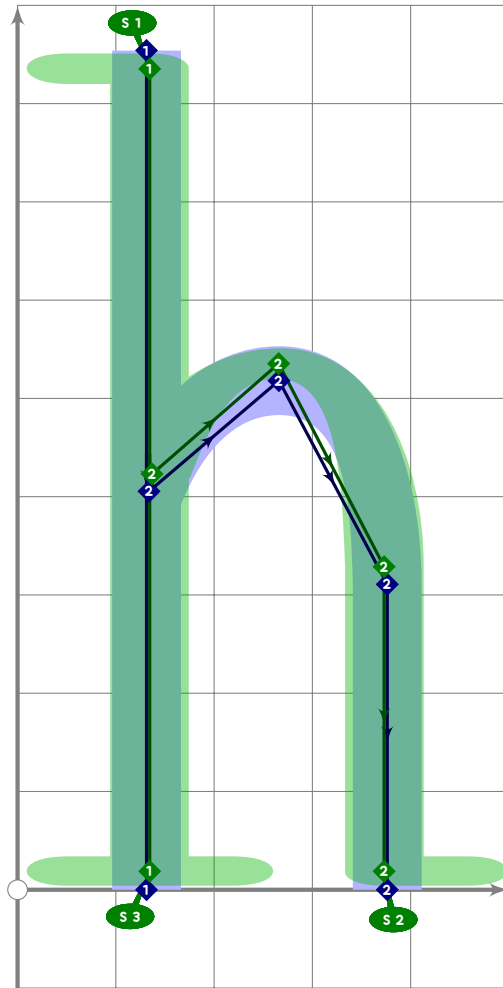
```
577 % f
578 beginsuglyph("f";102);
579   tsu_curve.latin.lowf;
580   tsu_render;
581 endsuglyph;
582
```

latin.lowg



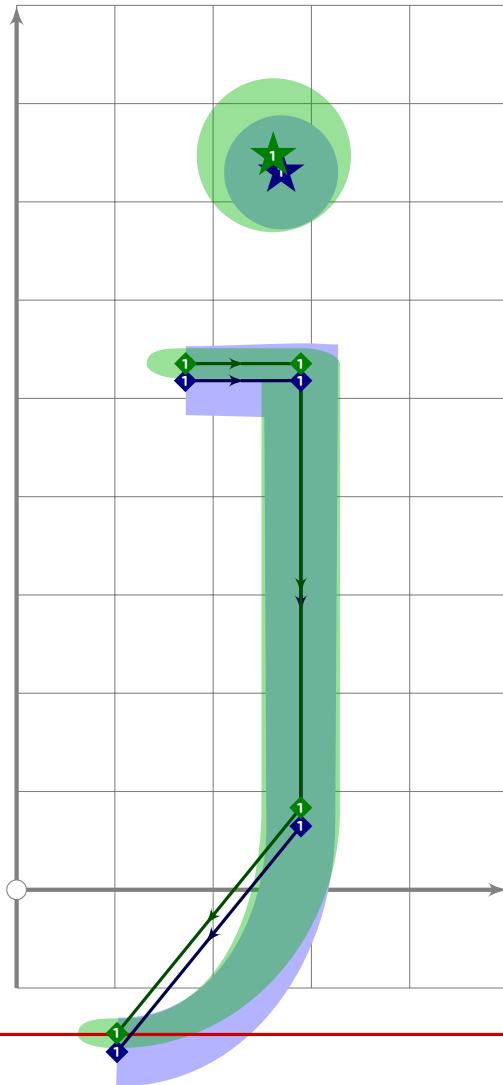
```
583 % g
584 begintsuglyph("g";103);
585   tsu_curve.latin.lowg;
586   tsu_render;
587 endsuglyph;
588
```

latin.lowh



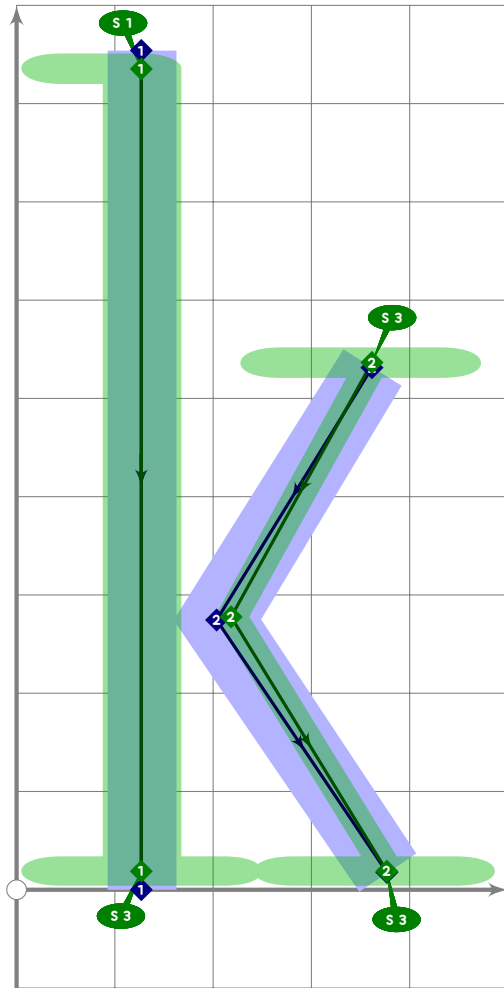
```
589 % h
590 begint Suglyph("h";104);
591   tsu_curve.latin.lowh;
592   tsu_render;
593 endtsuglyph;
594
```


latin.lowj



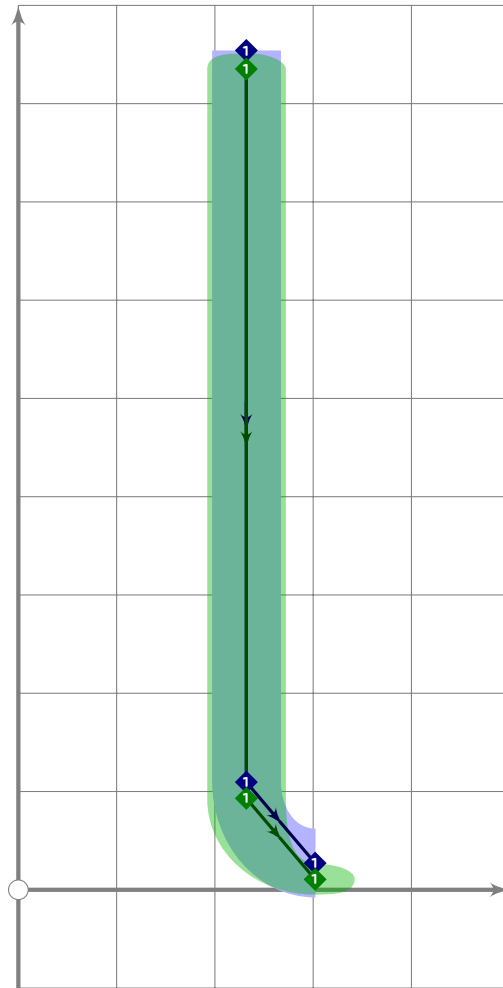
```
601 % j
602 begintsuglyph("j";106);
603 tsu_curve.latin.lowj;
604 tsu_render;
605 endtsuglyph;
606
```

latin.lowk



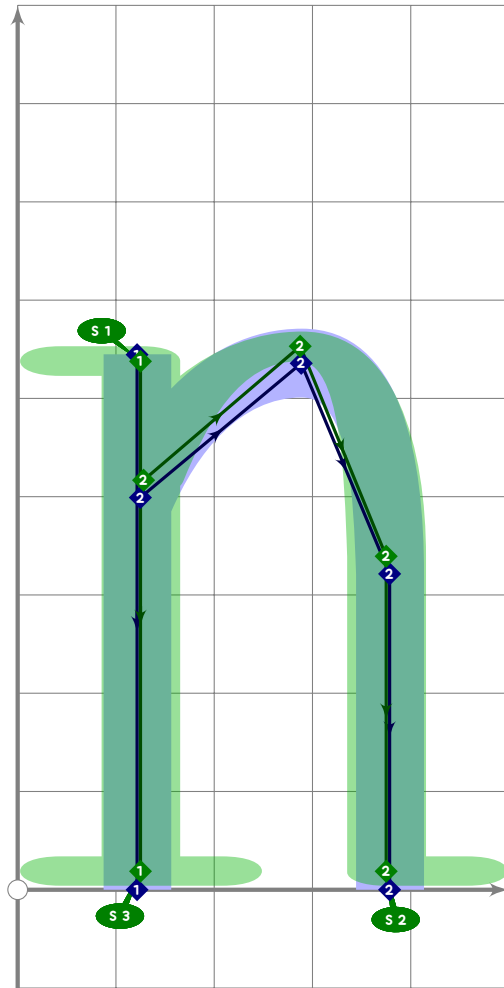
```
607 % k
608 beginsuglyph("k";107);
609 tsu_curve.latin.lowk;
610 tsu_render;
611 endsuglyph;
612
```

latin.lowl



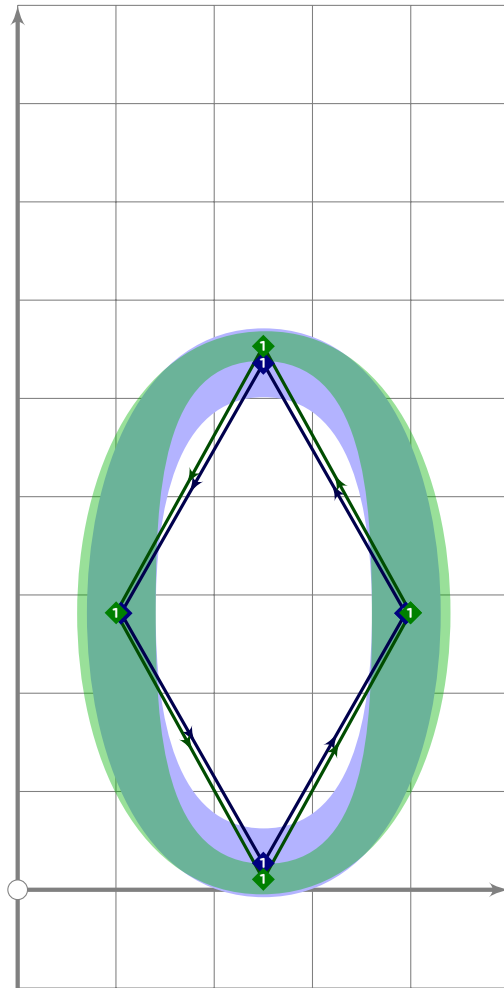
```
613 % l
614 begint Suglyph("l",108);
615   tsu_curve.latin.lowl;
616   tsu_render;
617 endtsuglyph;
618
```


latin.lown

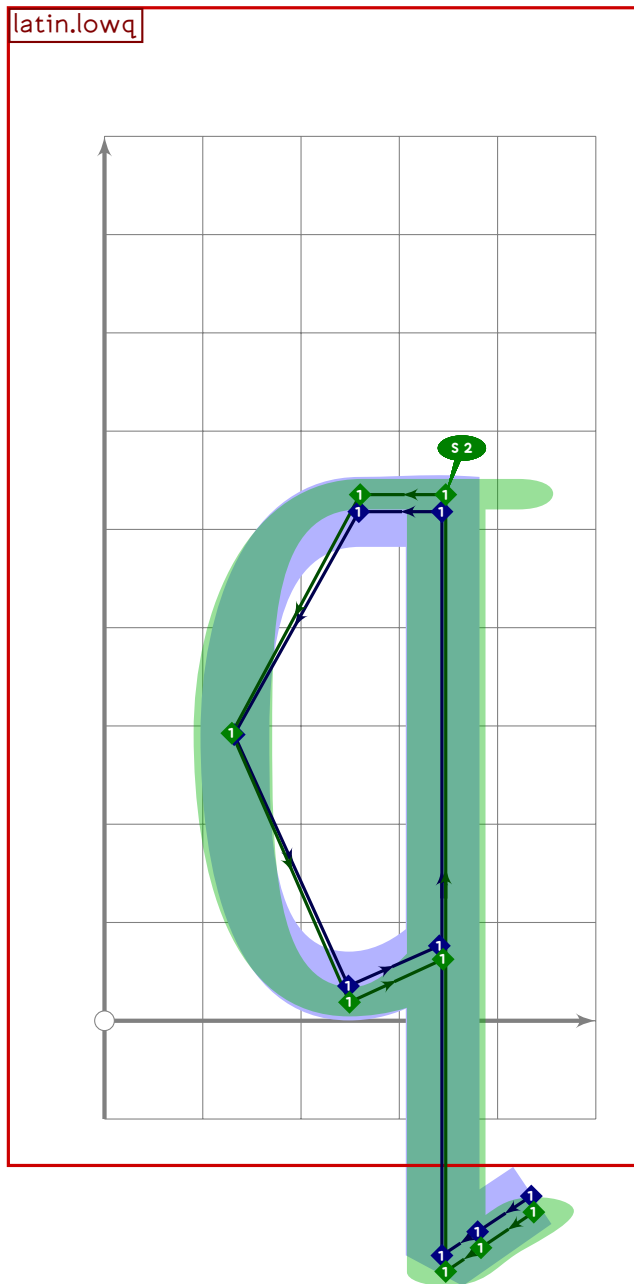


```
625 % n
626 begint Suglyph("n",110);
627 tsu_curve.latin.lown;
628 tsu_render;
629 endtsuglyph;
630
```

latin.lowo

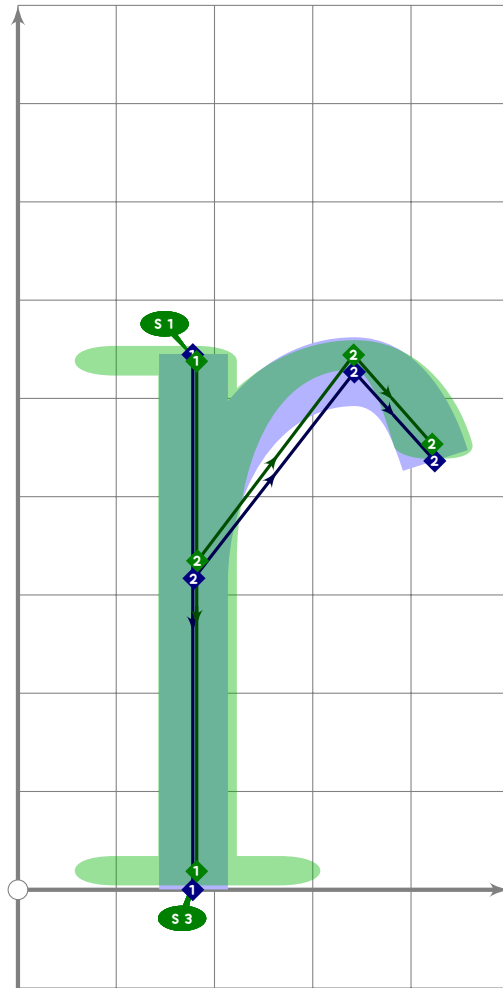


```
631 % o
632 beginsuglyph("o",111);
633   tsu_curve.latin.lowo;
634   tsu_render;
635 endsuglyph;
636
```

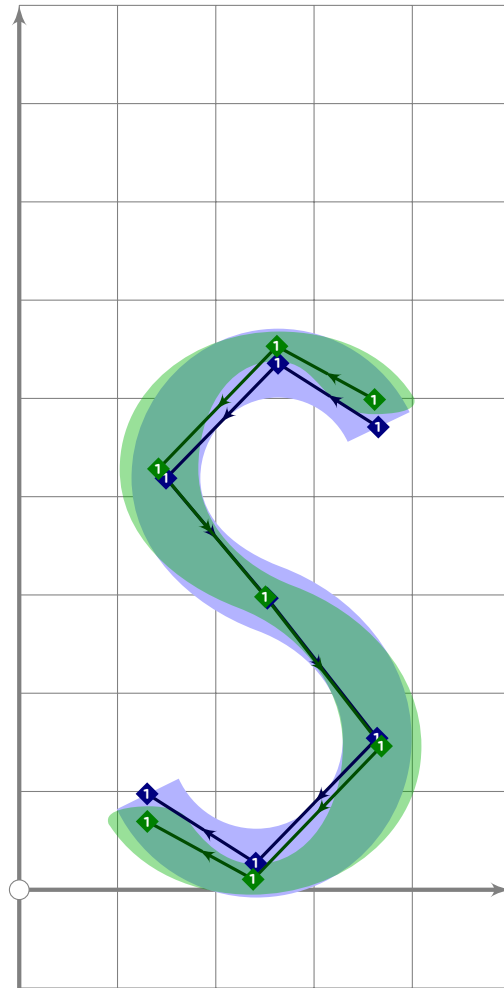
```
643 % q  
644 begintsuglyph("q";113);  
645 tsu_curve.latin.lowq;  
646 tsu_render;  
647 endtsuglyph;  
648
```

latin.lowr



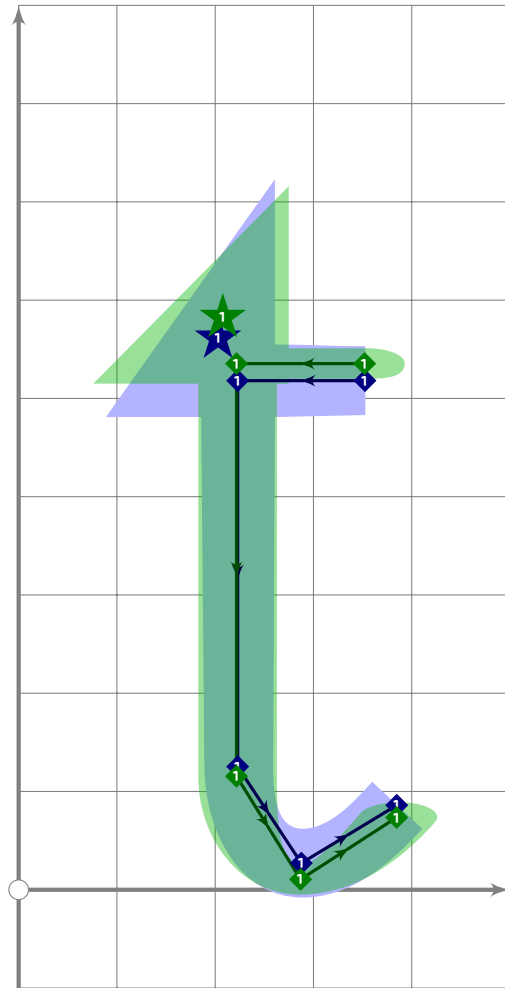
```
649 % r
650 beginsuglyph("r",114);
651   tsu_curve.latin.lowr;
652   tsu_render;
653 endsuglyph;
654
```

latin.lows



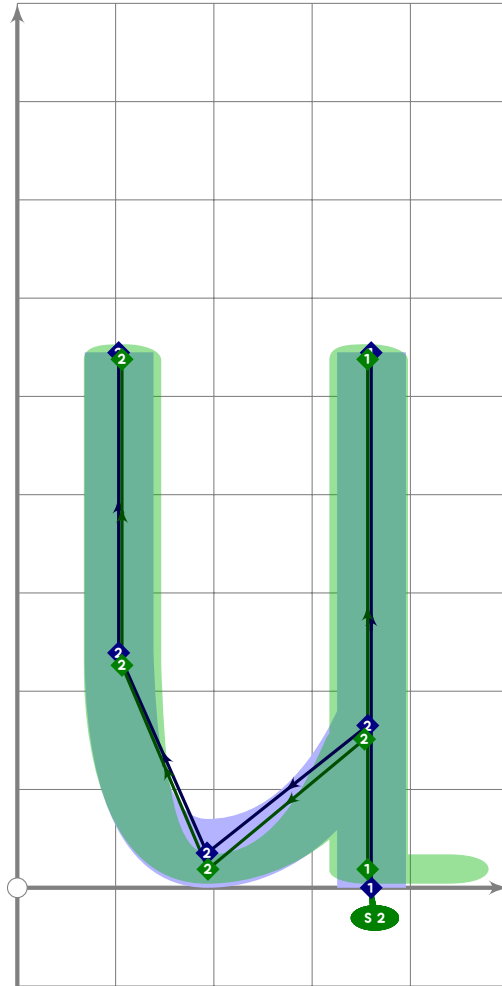
```
655 % s
656 begintsuglyph("s",115);
657   tsu_curve.latin.lows;
658   tsu_render;
659 endsuglyph;
660
```

latin.lowt



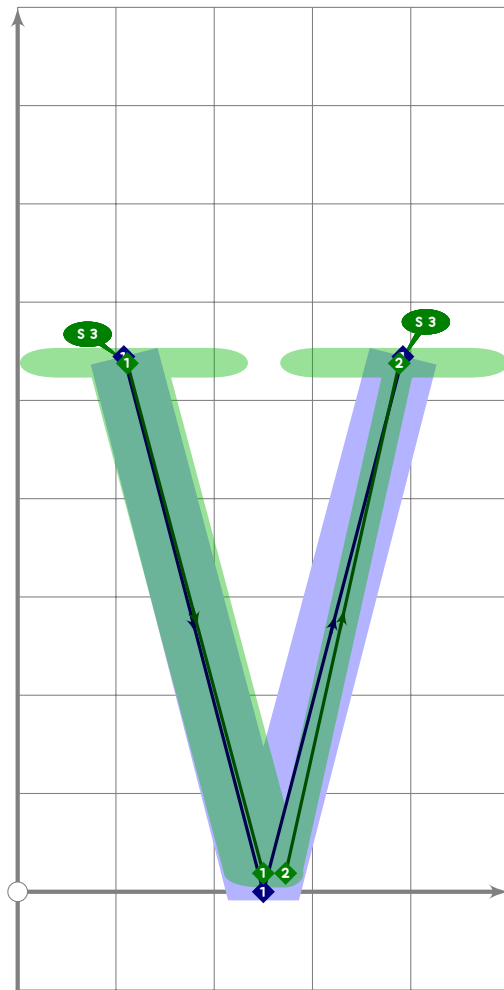
```
661 % t
662 begint Suglyph("t",116);
663   tsu_curve.latin.lowt;
664   tsu_render;
665 endsuglyph;
666
```

latin.lowu

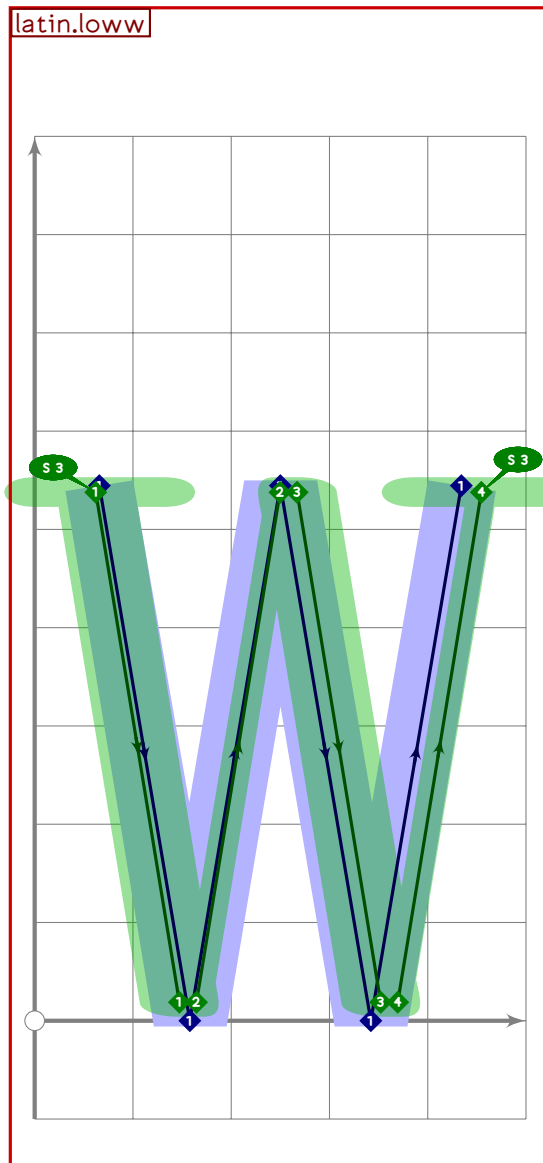


```
667 % u
668 beginsuglyph("u",117);
669 tsu_curve.latin.lowu;
670 tsu_render;
671 endsuglyph;
672
```


latin.lowv



```
673 % v  
674 begint Suglyph("v",118);  
675 tsu_curve.latin.lowv;  
676 tsu_render;  
677 endtsuglyph;  
678
```

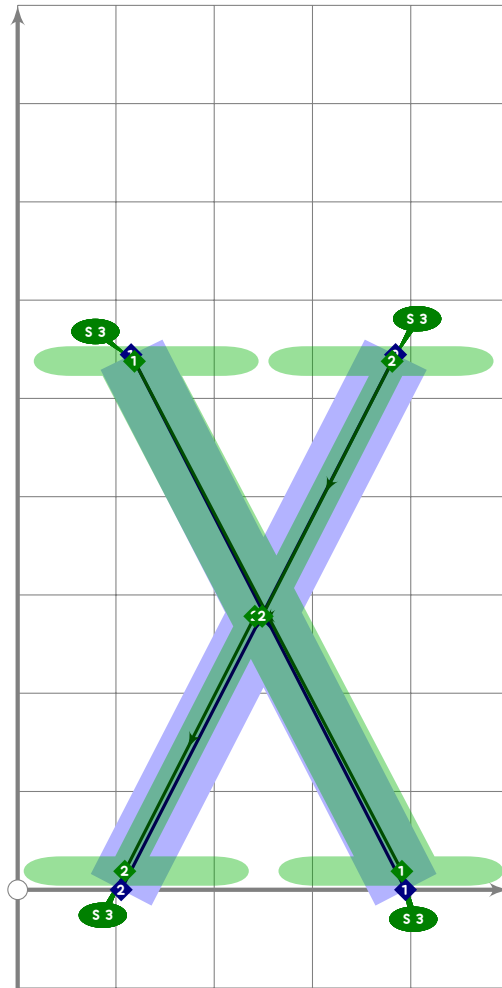


```

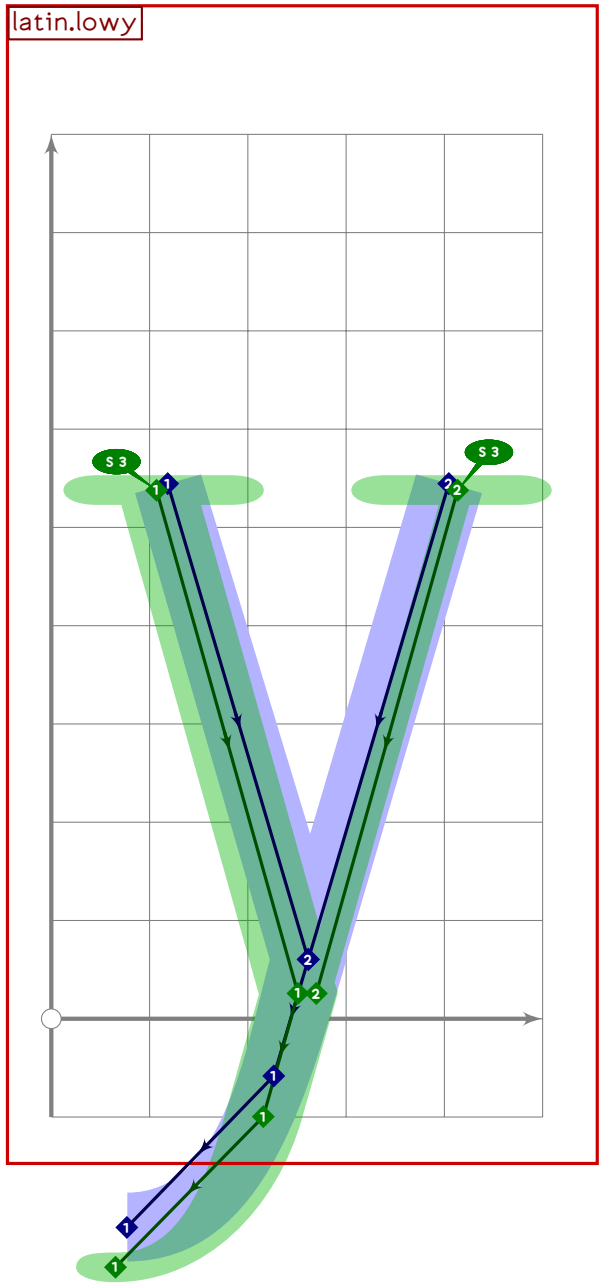
679 % w
680 begint Suglyph("w";119);
681   tsu_curve.latin.loww;
682   tsu_render;
683 endtsuglyph;
684

```

latin.lowx



```
685 % x
686 begintsuglyph("x";120);
687 tsu_curve.latin.lowx;
688 tsu_render;
689 endsuglyph;
690
```

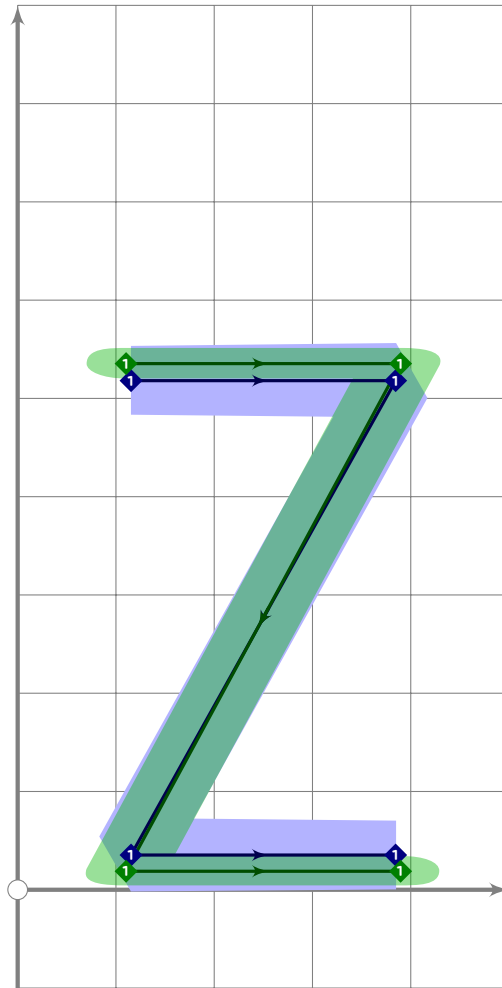


```

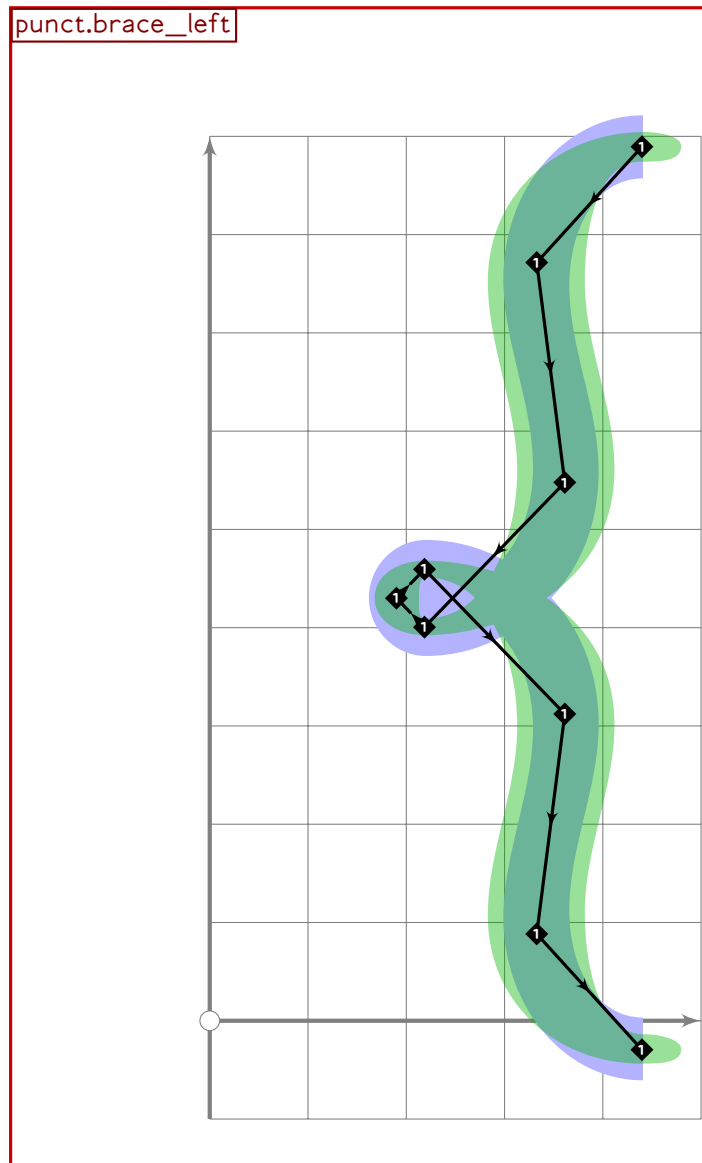
691 % y
692 beginsuglyph("y";121);
693   tsu_curve.latin.lowy;
694   tsu_render;
695 endsuglyph;
696

```

latin.lowz



```
697 % z
698 begintsuglyph("z";122);
699 tsu_curve.latin.lowz;
700 tsu_render;
701 endtsuglyph;
702
703 % WARNING changing rescale setting
704 tsu_rescale_half;
705
706 % left and right square brackets
707 tsu_curve.punct.brace_intro;
```

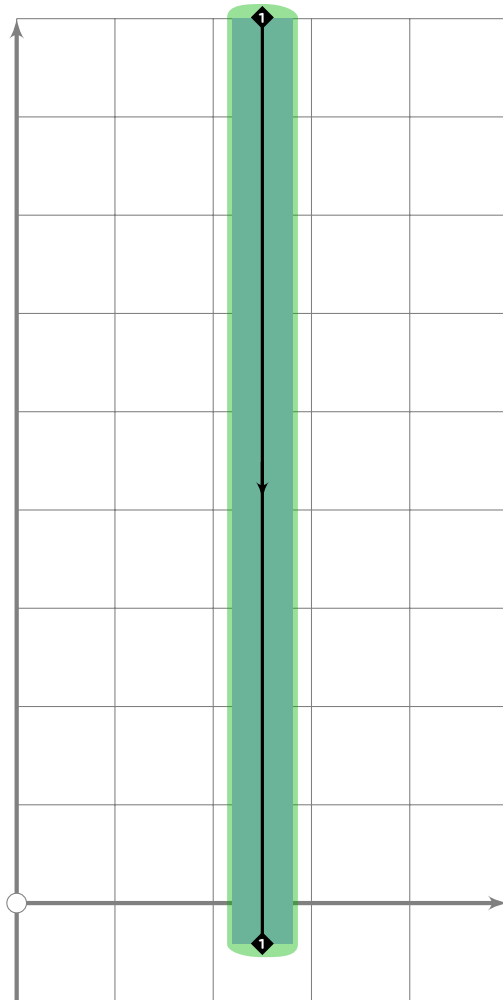


```

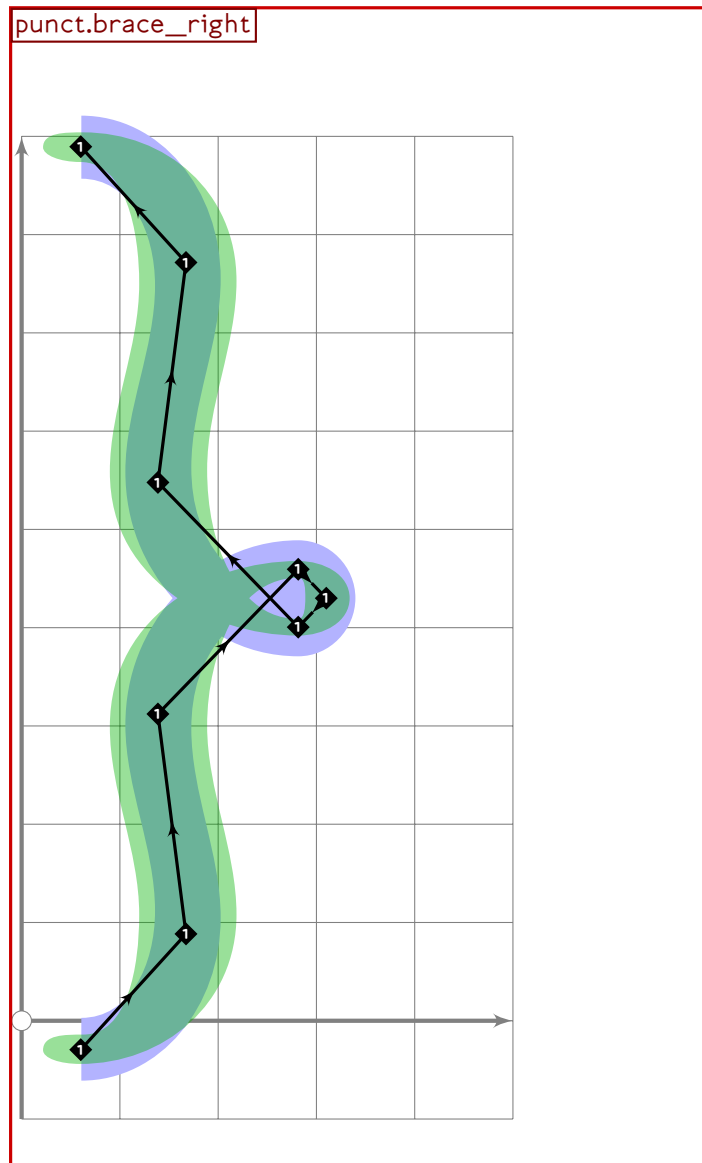
708 begint Suglyph("braceleft";123);
709   tsu_curve.punct.brace_left;
710   tsu_render;
711 endsuglyph;

```

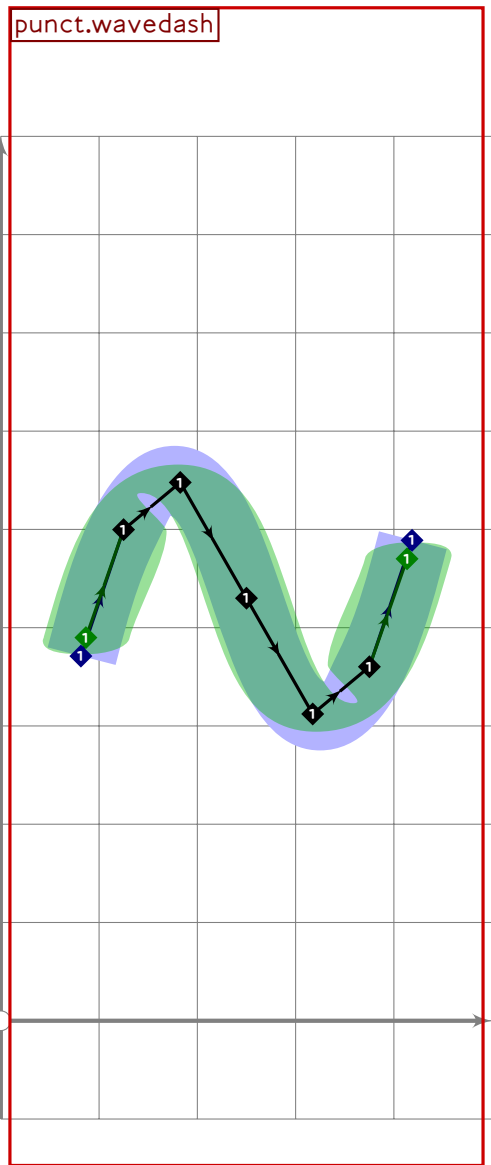
punct.vline



```
712 begintuglyph("bar",124);  
713   tsu_curve.punct.vline;  
714   tsu_render;  
715 endtuglyph;
```



```
716 begint Suglyph("braceright";125);  
717   tsu_curve.punct.brace_right;  
718   tsu_render;  
719   endtsuglyph;  
720
```

721 % "tilde" - rescaled "wave dash"

722 `begintsuglyph("asciitilde";126);`

723 `tsu_curve.punct.wavedash;`

724 `tsu_render;`

725 `endtsuglyph;`

726

727

728

729 % 007F through 009F are nonprinting control characters.

730 % 00A0 is a space, supplied by the make-font script later

731

732

733

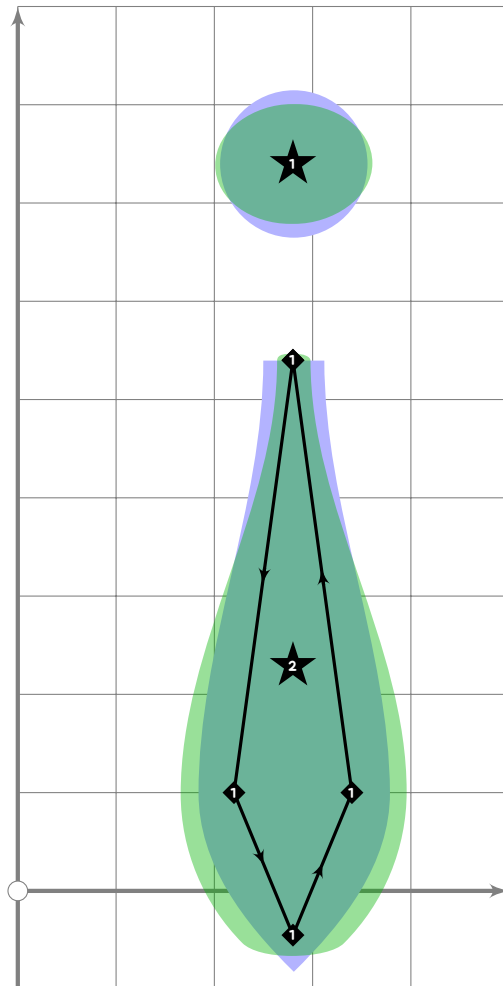
Latin-1 Extra Characters

734 % LATIN-1 EXTRA CHARACTERS

```

735
736 transform tsu_xf.latin_one_super,tsu_xf.latin_one_circled,
737   tsu_xf.latin_one_cbound;
738
739 xypart tsu_xf.latin_one_super=yxpart tsu_xf.latin_one_super=0;
740 xxpart tsu_xf.latin_one_super=yypart tsu_xf.latin_one_super=0.55;
741 (500,latin_wide_xheight_r) transformed tsu_xf.latin_one_super=
742   (250,2*latin_vcentre);
743
744 xypart tsu_xf.latin_one_circled=yxpart tsu_xf.latin_one_circled=0;
745 xxpart tsu_xf.latin_one_circled=yypart tsu_xf.latin_one_circled=0.333;
746 centre_pt transformed tsu_xf.latin_one_circled=(250,latin_vcentre);
747
748 tsu_xf.latin_one_cbound=identity scaled 150 shifted (250,latin_vcentre);
749
750 % WARNING, setting rescale
751 tsu_rescale_native_narrow;
752

```



```

753 % inverted exclamation point
754 beginsuglyph("exclamdown",161);
755 if tsu_pbrush_size>=(tsu_punct_size*0.5):

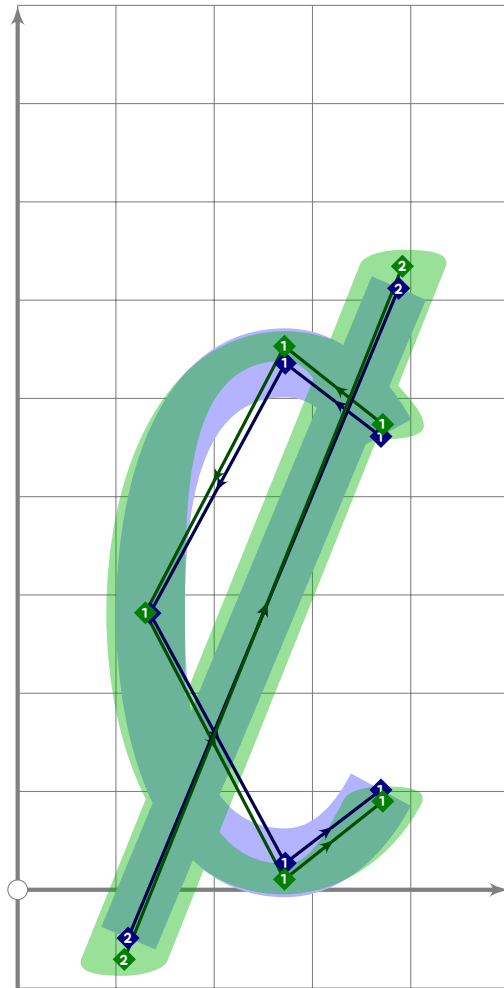
```

```

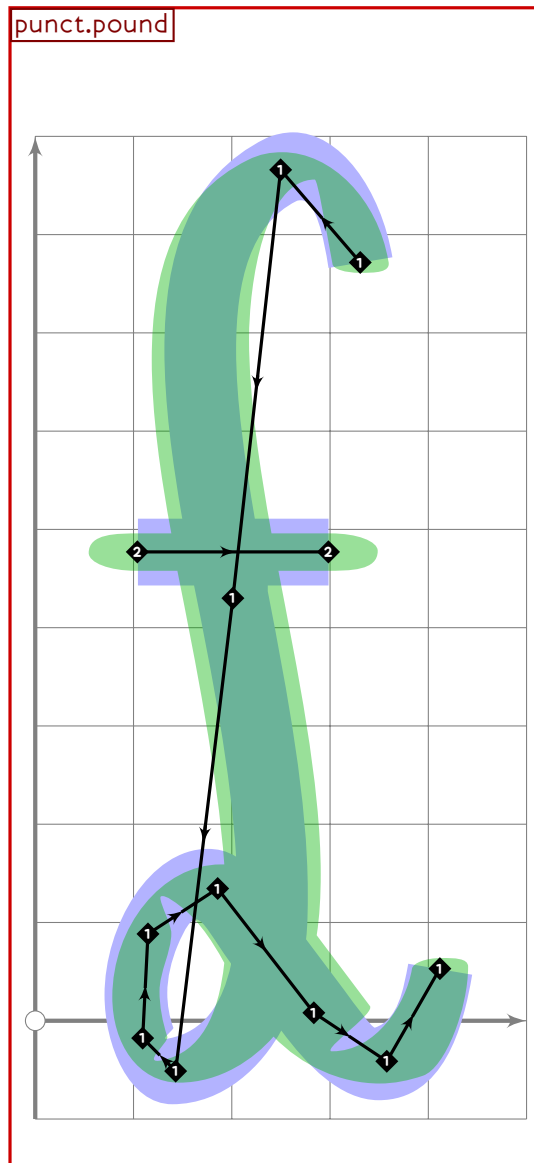
756     lcblob1:=fullcircle
757         xscaled (tsu_punct_size*tsu_pbrush_size)
758         yscaled (tsu_punct_size*tsu_pbrush_size*tsu_pbrush_shape)
759         rotated tsu_pbrush_angle
760         shifted (220,40)
761         rotatedaround ((250,390),180);
762 else:
763     bp[sp]:=fullcircle
764         scaled tsu_punct_size
765         shifted (220,40)
766         rotatedaround ((250,390),180);
767     bq[sp]:=(1,1)..(2,2)..(2,2)..(1,1);
768     if tsu_pbrush_size>=30:
769         lcblob1:=bp[sp];
770     fi;
771     sp:=sp+1;
772 fi;
773
774 bp[sp]:=(220,240){up}..(280,680){up}..{curl 1}(220,825){curl 1}..
775     (160,680){down}..{down}(220,240);
776 bp[sp]:=bp[sp] rotatedaround ((250,390),180);
777 bq[sp]:=(1,1)..(2,2)..(2,2)..(2,2)..(1,1);
778 sp:=sp+1;
779
780 if tsu_pbrush_size>=30:
781     lcblob2:=(subpath (0,1,3,9) of bp[sp-1])–cycle;
782 fi;
783 tsu_render;
784 endtsuglyph;
785
786 % WARNING, setting rescale
787 tsu_rescale_half;

```

latin.lowc



```
788  
789 begintsuglyph("cent",162);  
790 tsu_accent.lcslash(tsu_curve.latin.lowc);  
791 tsu_render;  
792 endsuglyph;
```

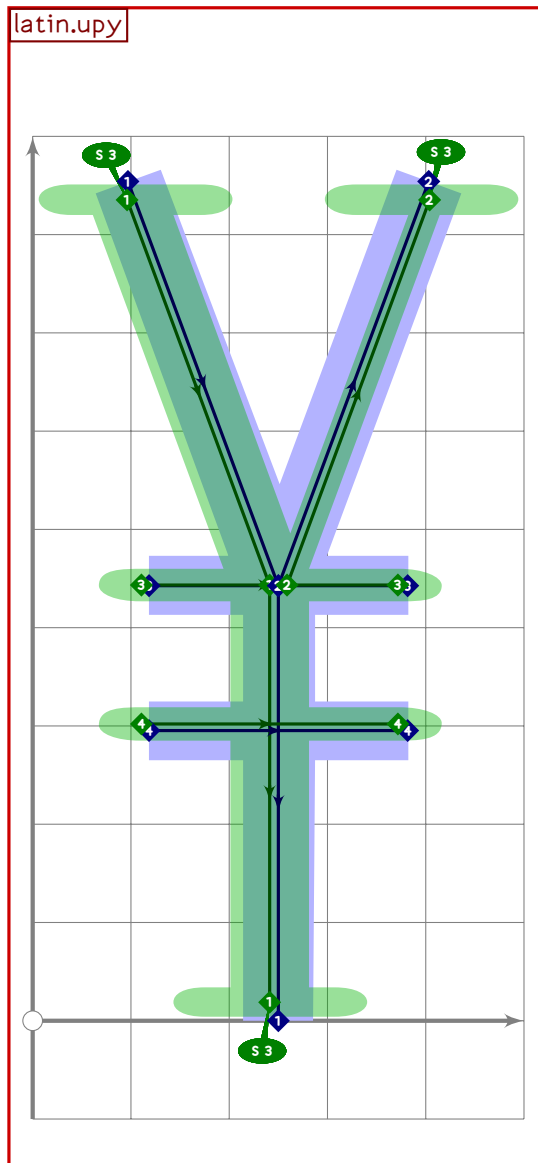


```

793
794 begintsuglyph("sterling";163);
795   tsu_curve.punct.pound;
796   tsu_render;
797 endtsuglyph;
798
799 begintsuglyph("currency";164);
800   tsu_curve.punct.currency;
801   tsu_render;
802 endtsuglyph;
803

```

[see page 259]

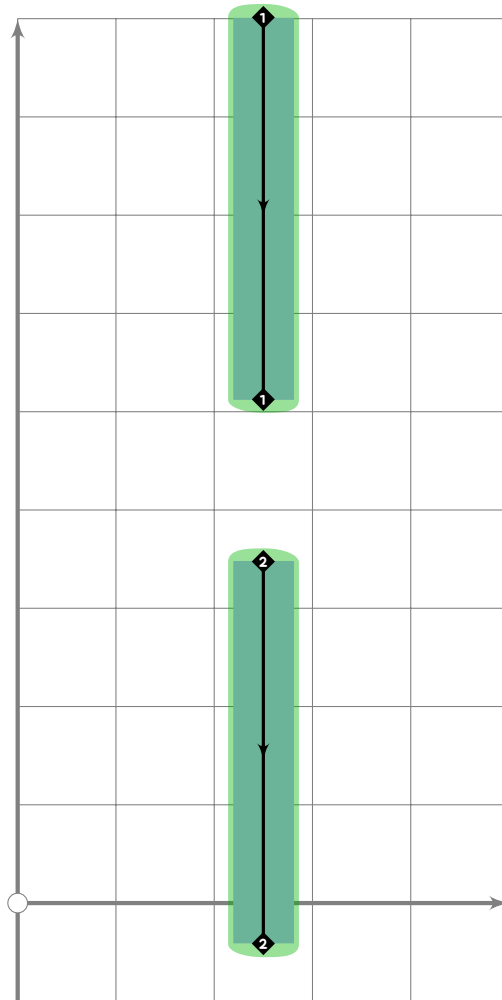


```

804 % yen sign
805 begintsuglyph("yen",165);
806 tsu_curve.latin.upy;
807 bp3:=((-240,0)-(240,0)) shifted point 1 of bp1;
808 bq3:=(2,2)-(2,2);
809 bo_size3:=80;
810 bp4:=((-240,0)-(240,0)) shifted point 1.333 of bp1;
811 bq4:=(2,2)-(2,2);
812 bo_size4:=80;
813 sp:=sp*2;
814 tsu_render;
815 endtsuglyph;

```

punct.bvline



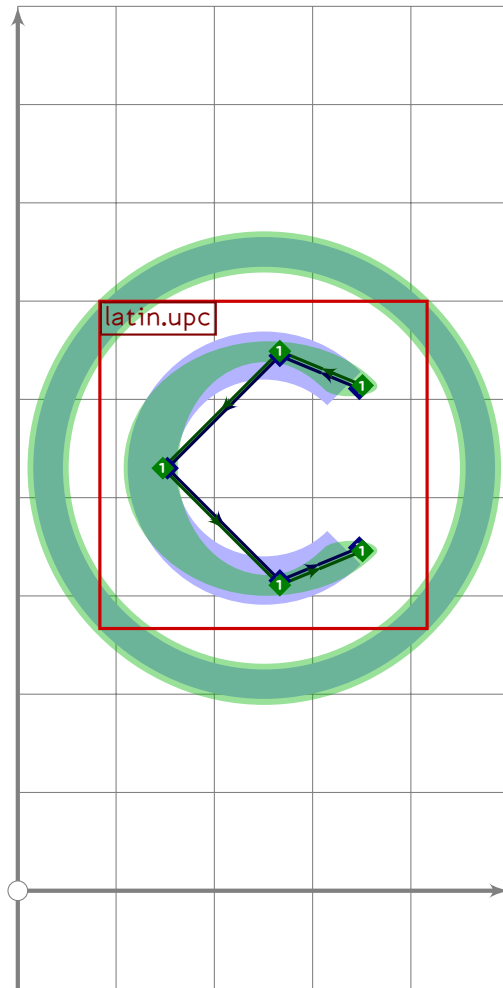
```
816
817 begintsuglyph("brokenbar",166);
818 tsu_curve.punct.bvline;
819 tsu_render;
820 endtsuglyph;
821
822 begintsuglyph("section",167);
823 tsu_curve.punct.section;
824 tsu_render;
825 endtsuglyph;
826
```

[see page 282]

latin.lowe



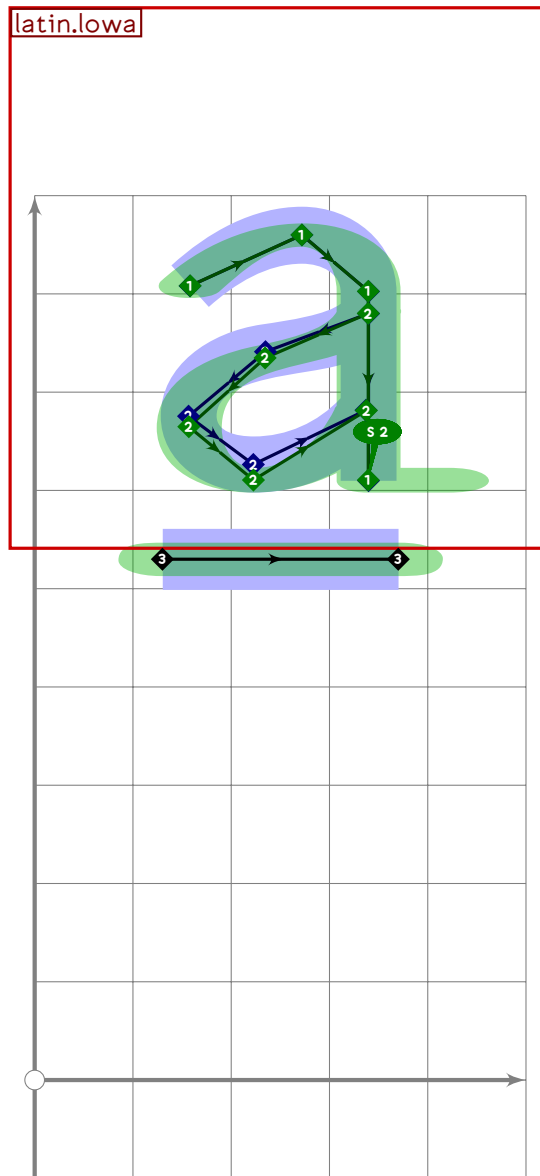
```
827 % naked umlaut
828 begintsuglyph("dieresis";168);
829 tsu_accent.umlaut(tsu_curve.latin.lowe);
830 bo_size[1]=0;
831 tsu_render;
832 endtsuglyph;
833
834 % WARNING, setting rescale
835 tsu_rescale_native_narrow;
```

```

836
837 begintsuglyph("copyright",169);
838   Fill fullcircle scaled (440*40*tsu_brush_max) shifted (250,latin_vcentre);
839   unFill reverse fullcircle scaled (440-40*tsu_brush_max)
840     shifted (250,latin_vcentre);
841   tsu_xform(tsu_xf.latin_one_circled)(tsu_curve.latin.upc);
842   tsu_render_in_circle(tsu_xf.latin_one_cbound);
843 endtsuglyph;

```



```

844
845 begintsuglyph("ordfeminine",170);
846 tsu_xform(tsu_xf.latin_one_super)(tsu_curve.latin.lowa);
847 bp3:=(130,530)-(370,530);
848 bq3:=(2,2)-(2,2);
849 bo_size3:=bo_size1;
850 sp:=sp*1;
851 tsu_render;
852 endtsuglyph;
853
854 % WARNING, changing rescale setting
855 tsu_rescale_half;
856
857 begintsuglyph("guillemotleft",171);
858 tsu_curve.punct.guillemet_left;
859 tsu_render;

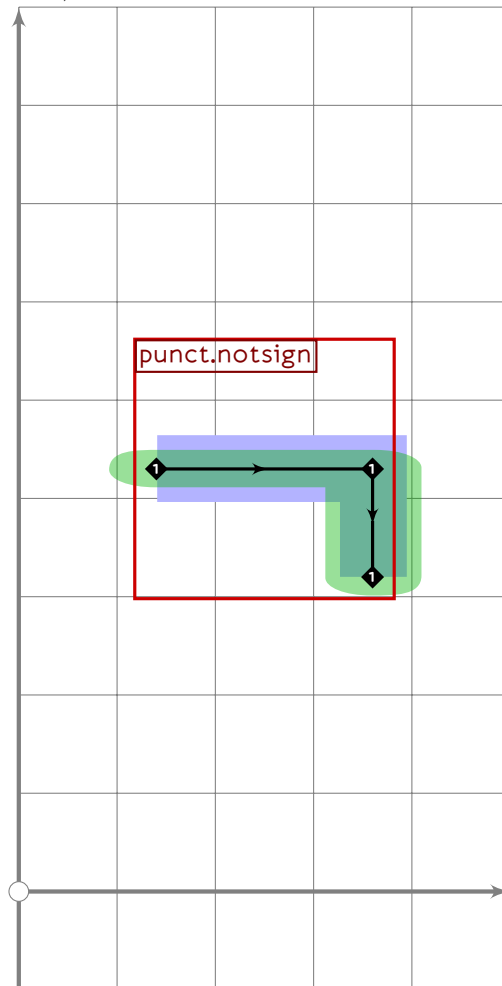
```

[see page 267]

```

860 endtsuglyph;
861
862 % WARNING, setting rescale
863 tsu_rescale_native_narrow;

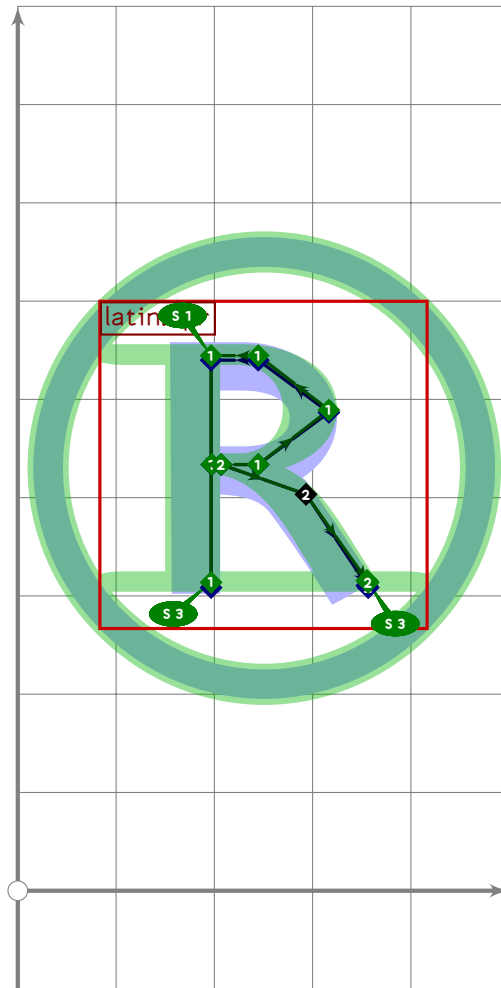
```



```

864
865 begint Suglyph("logicalnot";172);
866 tsu_curve.punct.notsign
867 (identity scaled (1.1*tsu_punct_size) shifted (250,latin_vcentre));
868 tsu_render;
869 endtsuglyph;
870
871 % soft hyphen is a zero-width space and added by make-font script

```

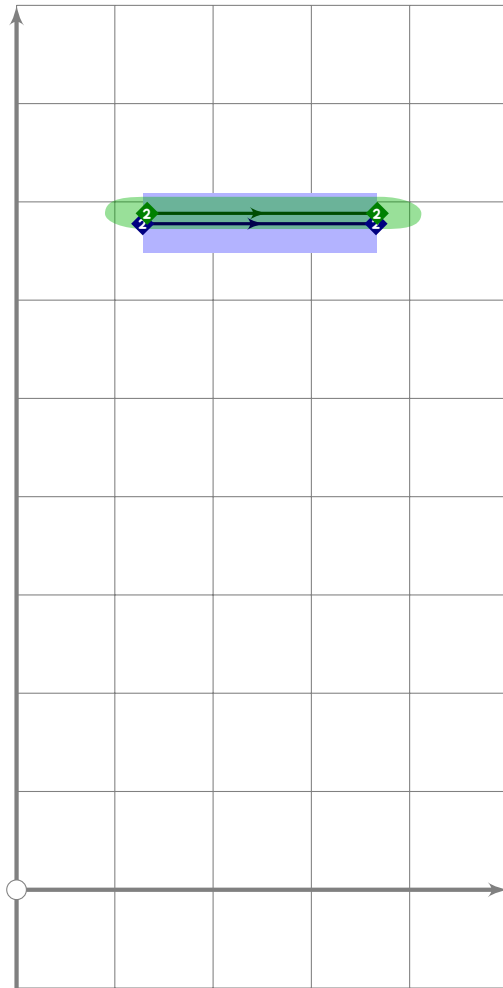


```

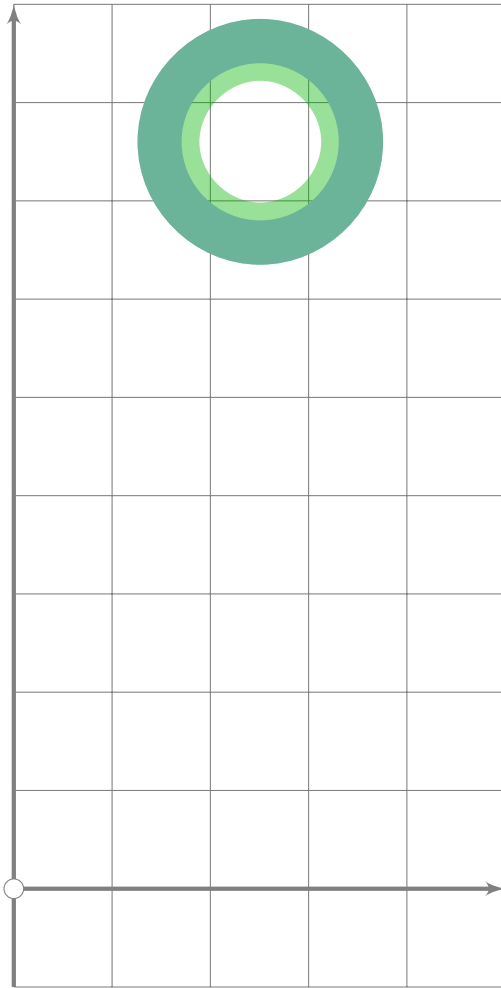
872
873 begintsuglyph("registered",174);
874 Fill fullcircle scaled (440*40*tsu_brush_max) shifted (250,latin_vcentre);
875 unFill reverse fullcircle scaled (440-40*tsu_brush_max)
876     shifted (250,latin_vcentre);
877 tsu_xform(tsu_xf.latin_one_circled)(tsu_curve.latin.upr);
878 tsu_render_in_circle(tsu_xf.latin_one_cbound);
879 endtsuglyph;
880
881 % WARNING, setting rescale
882 tsu_rescale_half;
883

```

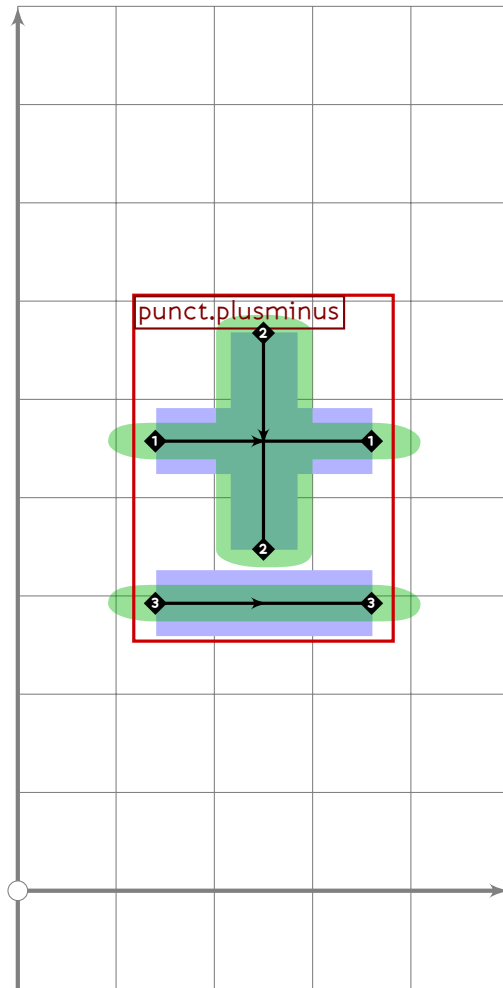
latin.lower



```
884 % naked macron
885 begintsuglyph("macron";175);
886 tsu_accent.macron(tsu_curve.latin.lower);
887 bo_size[1]=0;
888 tsu_render;
889 endtsuglyph;
890
891 % WARNING, setting rescale
892 tsu_rescale_native_narrow;
```



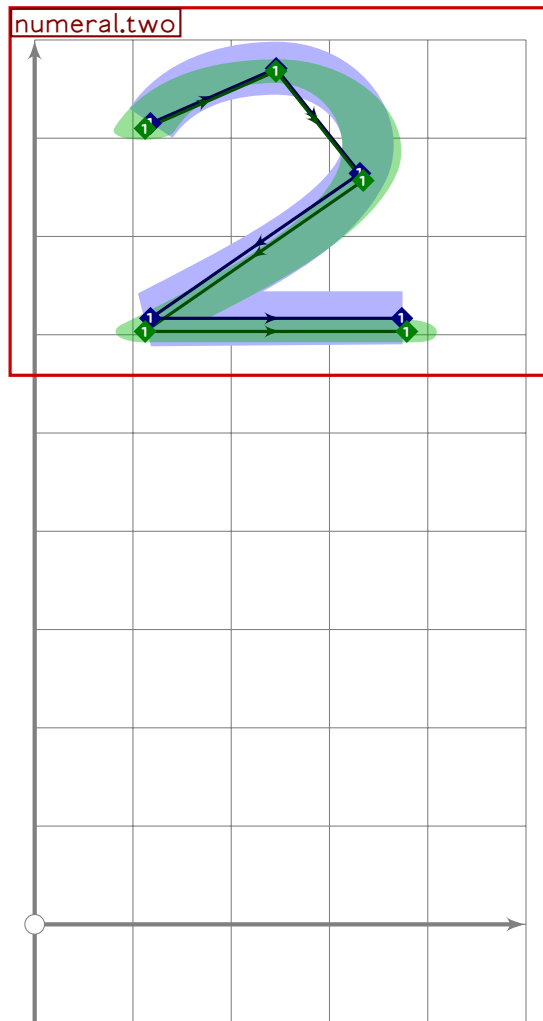
```
893  
894 begintsuglyph("degree",176);  
895   Fill fullcircle scaled (2.5*tsu_punct_size) shifted (250,760);  
896   unFill reverse fullcircle  
897     scaled (2.5*tsu_punct_size-120*tsu_brush_max) shifted (250,760);  
898 endtsuglyph;
```



```

899
900 begintsuglyph("plusminus";177);
901 tsu_curve.punct.plusminus
902   (identity scaled (1.1*tsu_punct_size) shifted (250,latin_vcentre));
903 tsu_render;
904 endsuglyph;

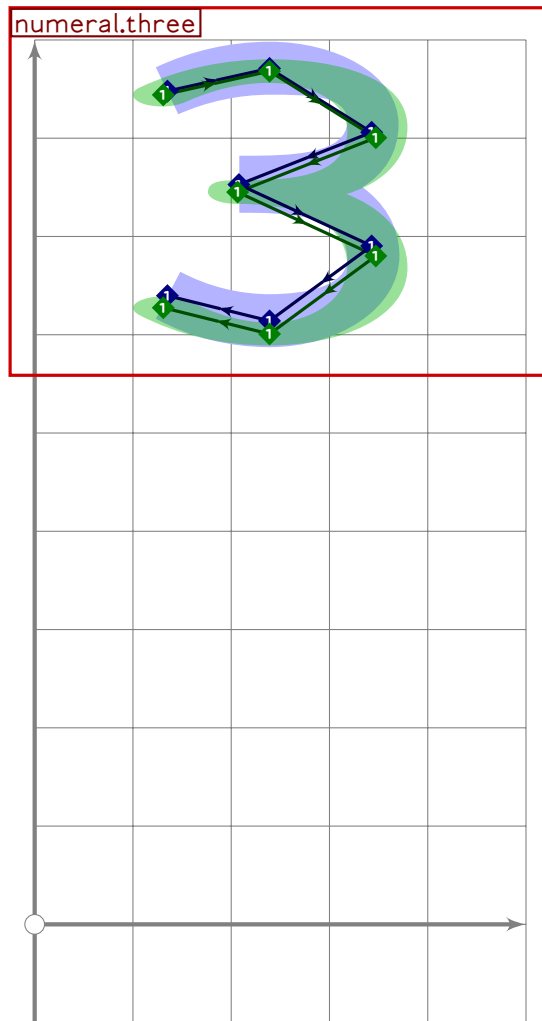
```



```

905
906 begintsuglyph("uni00B2";178);
907 tsu_xform(identity yscaled 0.68 transformed tsu_xf.latin_one_super)(
908   tsu_curve.numeral.two);
909 tsu_render;
910 endsuglyph;

```

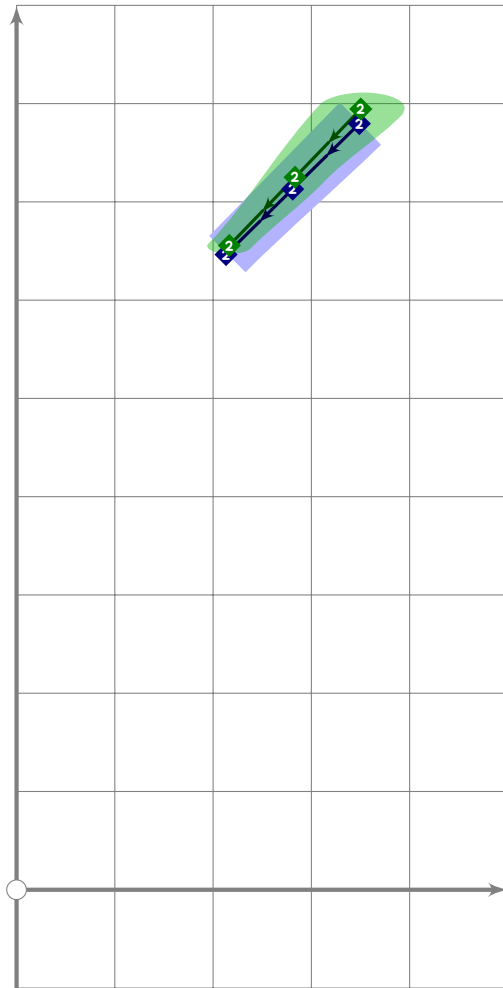



```

911
912 begintsuglyph("uni00B3";179);
913 tsu_xform(identity yscaled 0.68 transformed tsu_xf.latin_one_super)(
914     tsu_curve.numeral.three);
915 tsu_render;
916 endtsuglyph;
917
918 % WARNING, changing rescale setting
919 tsu_rescale_half;
920

```

latin.love

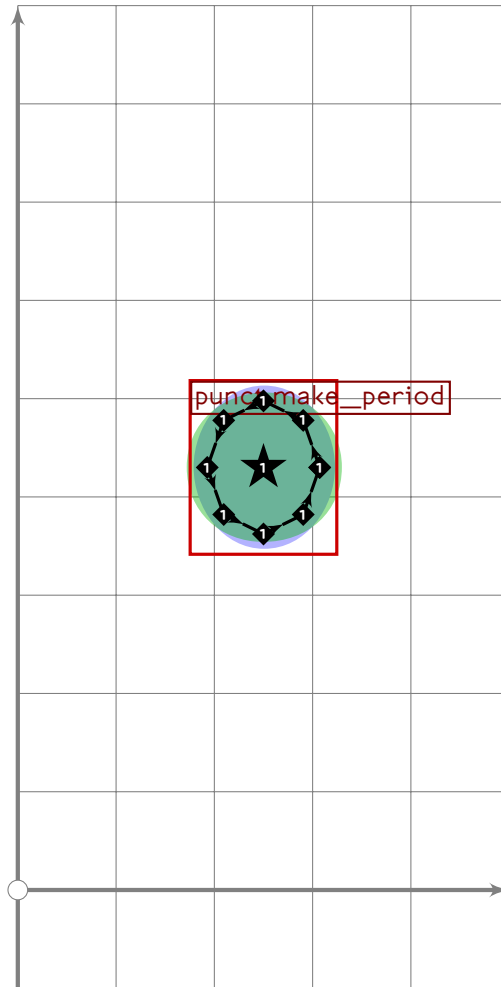


```
921 % naked acute
922 begintsuglyph("acute";180);
923 tsu_accent.acute(tsu_curve.latin.love);
924 bo_size[1]=0;
925 tsu_render;
926 endtsuglyph;
927
928 % micro
929 begintsuglyph("mu";181);
930 tsu_curve.punct.micro;
931 tsu_render;
932 endtsuglyph;
933
934 % pilcrow
935 begintsuglyph("paragraph";182);
936 tsu_curve.punct.pilcrow;
```

[see page 270]

[see page 278]

```
937 tsu_render;  
938 endsuglyph;  
939
```



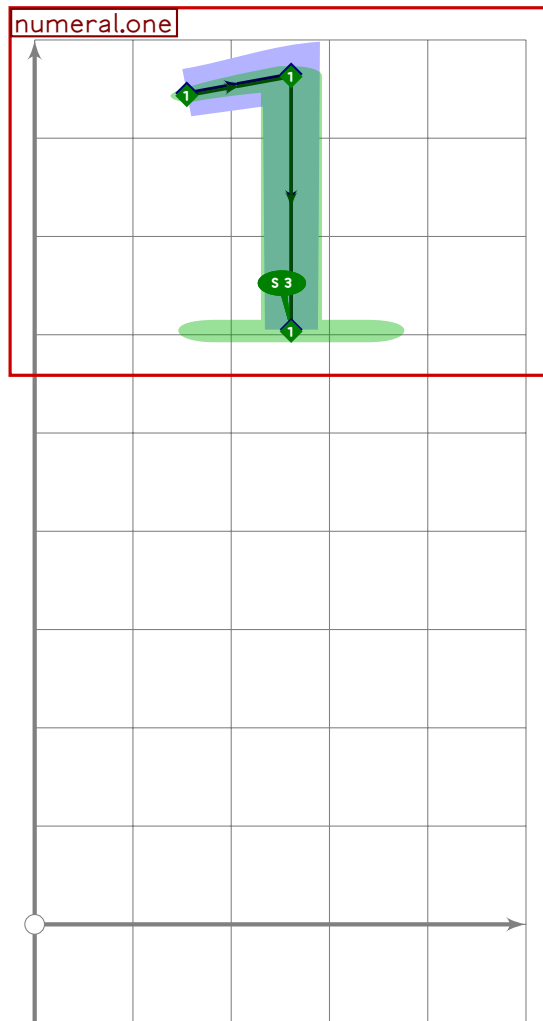
```
940 % period at centre  
941 beginsuglyph("periodcentered",183);  
942 tsu_curve.punct.make_period(centre_pt);  
943 tsu_render;  
944 endsuglyph;  
945
```



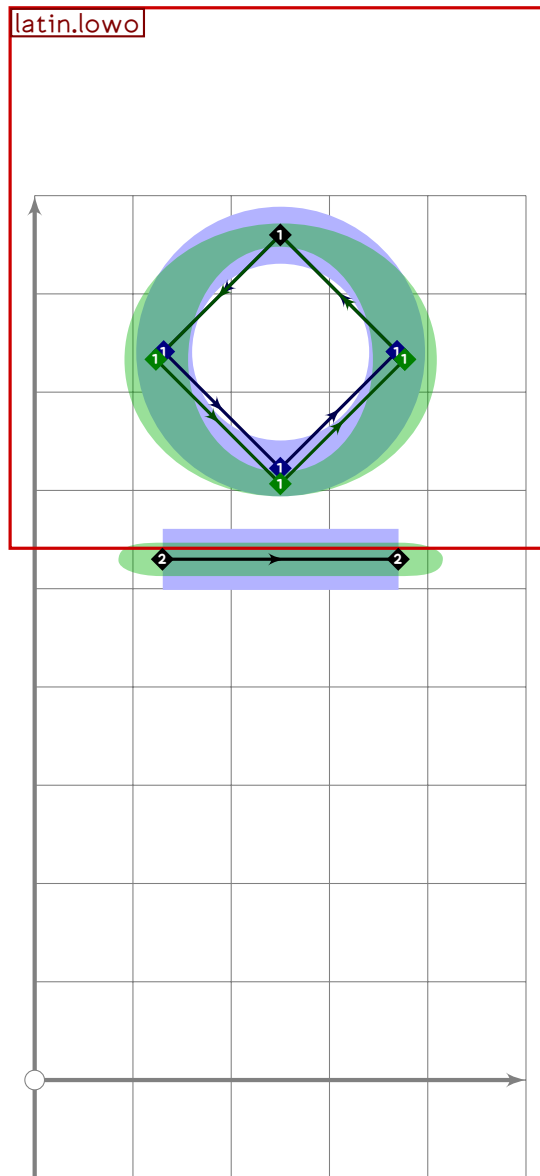
```

946 % naked cedilla
947 begintsuglyph("cedilla";184);
948 tsu_accent.cedilla(tsu_curve.latin.lowc);
949 bo_size[1]:=0;
950 tsu_render;
951 endtsuglyph;
952
953 % WARNING, changing rescale setting
954 tsu_rescale_native_narrow;

```



```
955  
956 begintsuglyph("uni00B9",185);  
957 tsu_xform(identity yscaled 0.68 transformed tsu_xf.latin_one_super)(  
958 tsu_curve.numeral.one);  
959 tsu_render;  
960 endsuglyph;
```



```

961
962 begintsuglyph("ordmasculine",186);
963 tsu_xform(tsu_xf.latin_one_super)(tsu_curve.latin.lowo);
964 bp[sp]:=(130,530)-(370,530);
965 bq[sp]:=(2,2)-(2,2);
966 bo_size[sp]:=bo_size[sp-1];
967 sp:=sp*1;
968 tsu_render;
969 endtsuglyph;
970
971 % WARNING, changing rescale setting
972 tsu_rescale_half;
973
974 begintsuglyph("guillemotright",187);
975 tsu_curve.punct.guillemet_right;
976 tsu_render;

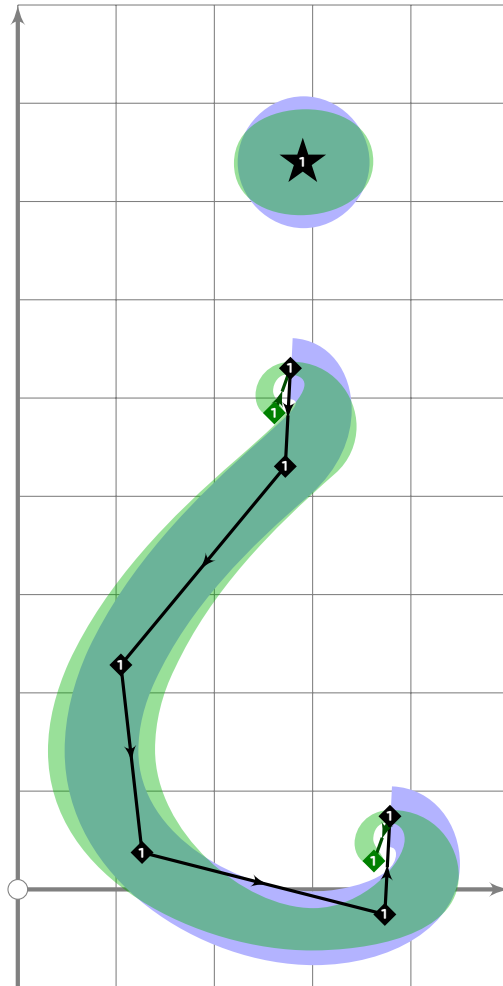
```

[see page 268]

```

977 endtsuglyph;
978
979 % WARNING, changing rescale setting
980 tsu_rescale_native_narrow;
981

```



```

982 % question mark
983 begint Suglyph("questiondown",191);
984 if tsu_pbrush_size>=(tsu_punct_size*0.5):
985     lcblob1=fullcircle
986         xscaled ((tsu_punct_size+tsu_pbrush_size)*0.89)
987         yscaled ((tsu_punct_size+tsu_pbrush_size*tsu_pbrush_shape)*0.89)
988         rotated tsu_pbrush_angle
989         shifted (210,40)
990         rotatedaround ((250,390),180);
991 else:
992     bp[sp]:=fullcircle scaled tsu_punct_size shifted (210,40)
993         rotatedaround ((250,390),180);
994     bq[sp]:=(1,1)..(2,2)..(2,2)..(1,1);
995     sp:=sp+1;
996     if tsu_pbrush_size>=30:
997         lcblob1=bp[sp];

```

```

998     fi;
999     fi;
1000    r:=tsu_punct_size/2;
1001
1002    bp[sp]:=(210,300){right}..(210,300-r){left}..
1003      (210,300*r)..(210*2.5*r,750)..
1004      tension 1.3..(210-2.5*r,750*r)..
1005      (210-2.5*r,750-r){right}..
1006      (210-2.5*r,750){left};
1007    bp[sp]:=insert_nodes(bp[sp])(2.5);
1008    bp[sp]:=bp[sp] rotatedaround ((210,10),-3)
1009      rotatedaround ((250,390),180);
1010    bq[sp]:=(0.8,0.8)-(1,1)-(2,2)-(2,2)-(2,2)-(2,2)-(1,1)-(0.8,0.8);
1011    sp:=sp*1;
1012
1013    tsu_render;
1014    endtsuglyph;
1015
1016    _____
1017

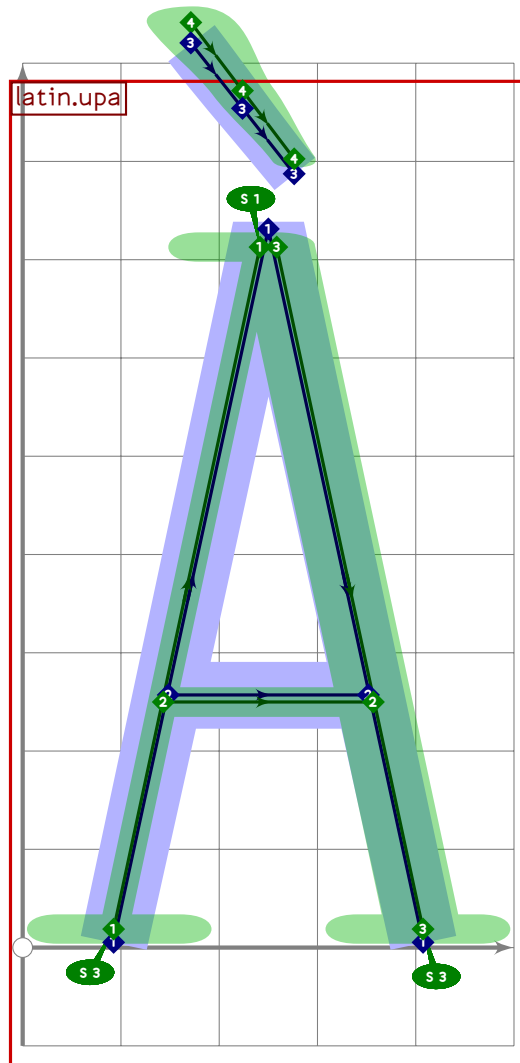
```

Accented Latin

```

1018 % ACCENTED LATIN
1019
1020 % WARNING, setting rescale
1021 tsu_rescale_half;
1022

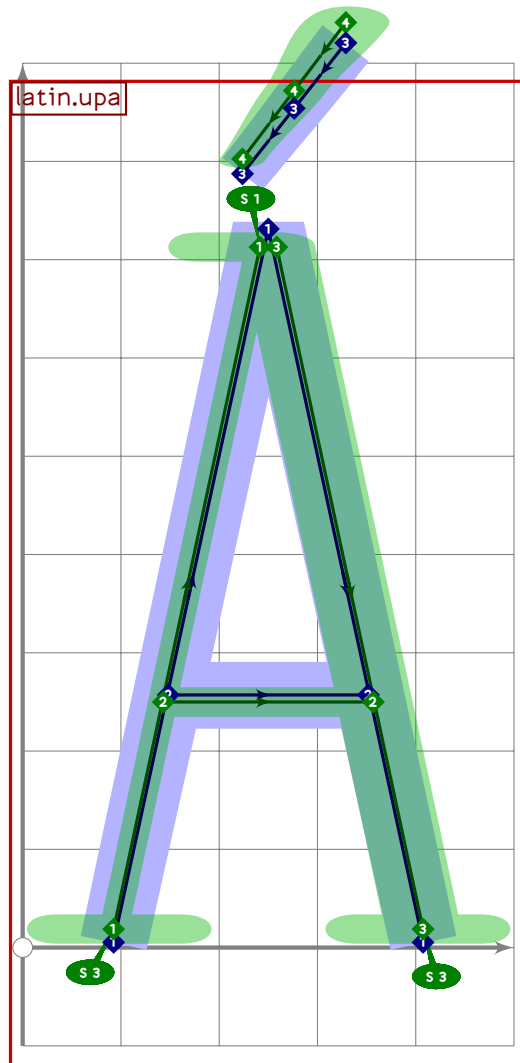
```

```

1023 % A with grave
1024 begintsuglyph("Agrave";192);
1025 tsu_accent.capital(grave)(tsu_curve.latin.upa);
1026 tsu_render;
1027 endsuglyph;
1028

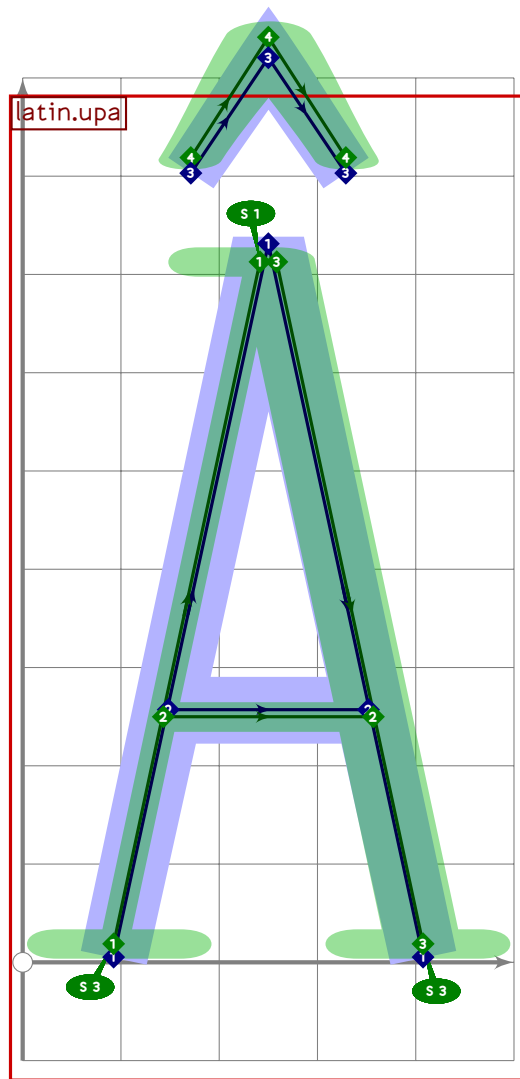
```



```

1029 % A with acute
1030 beginsuglyph("Aacute",193);
1031   tsu_accent.capital(acute)(tsu_curve.latin.upa);
1032   tsu_render;
1033 endsuglyph;
1034

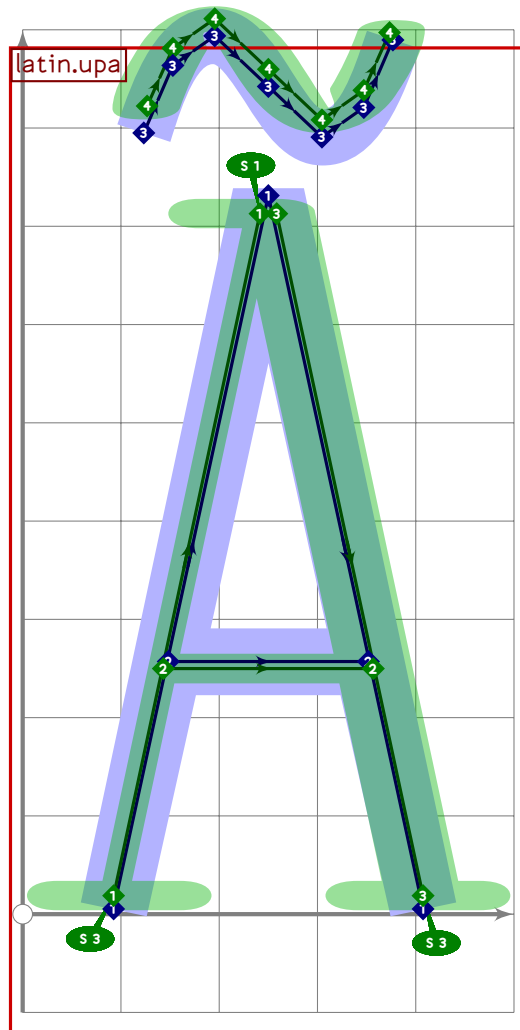
```



```

1035 % A with circumflex
1036 begint Suglyph("A circumflex";194);
1037   tsu_accent.capital(circumflex)(tsu_curve.latin.upa);
1038   tsu_render;
1039 endsuglyph;
1040

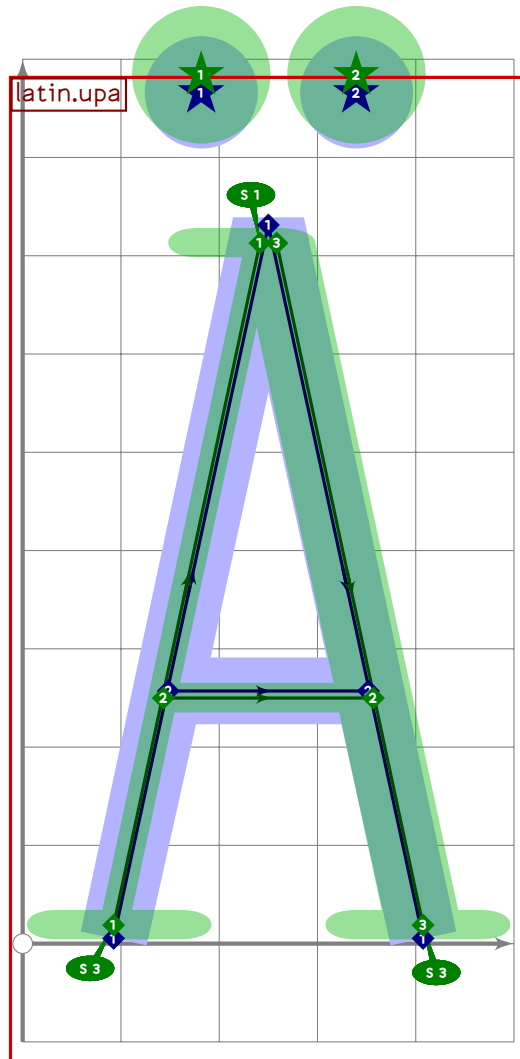
```



```

1041 % A with tilde
1042 beginsuglyph("Atilde";195);
1043   tsu_accent.capital(tilde)(tsu_curve.latin.upa);
1044   tsu_render;
1045 endsuglyph;
1046

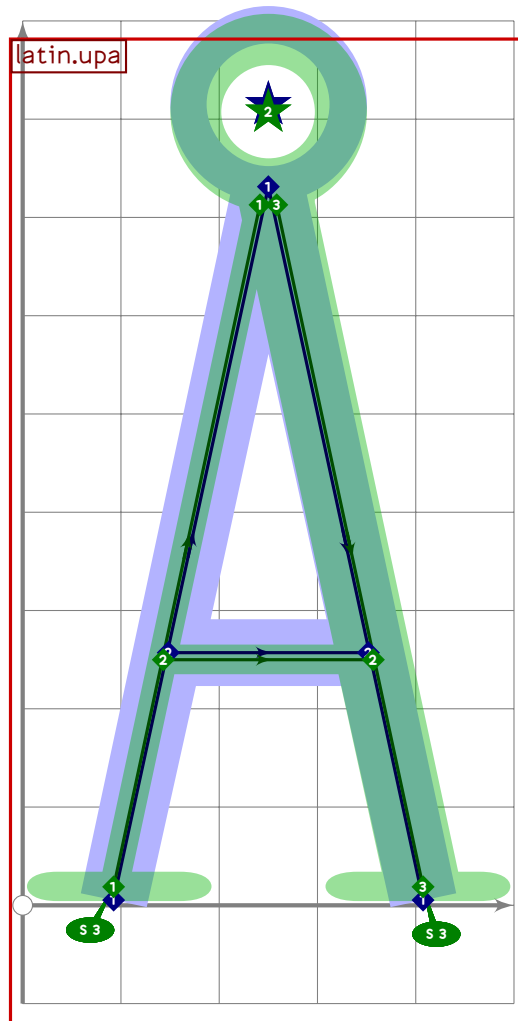
```



```

1047 % A with dieresis/umlaut
1048 begintsuglyph("Adieresis",196);
1049 tsu_accent.capital(umlaut)(tsu_curve.latin.upa);
1050 tsu_render;
1051 endsuglyph;
1052

```

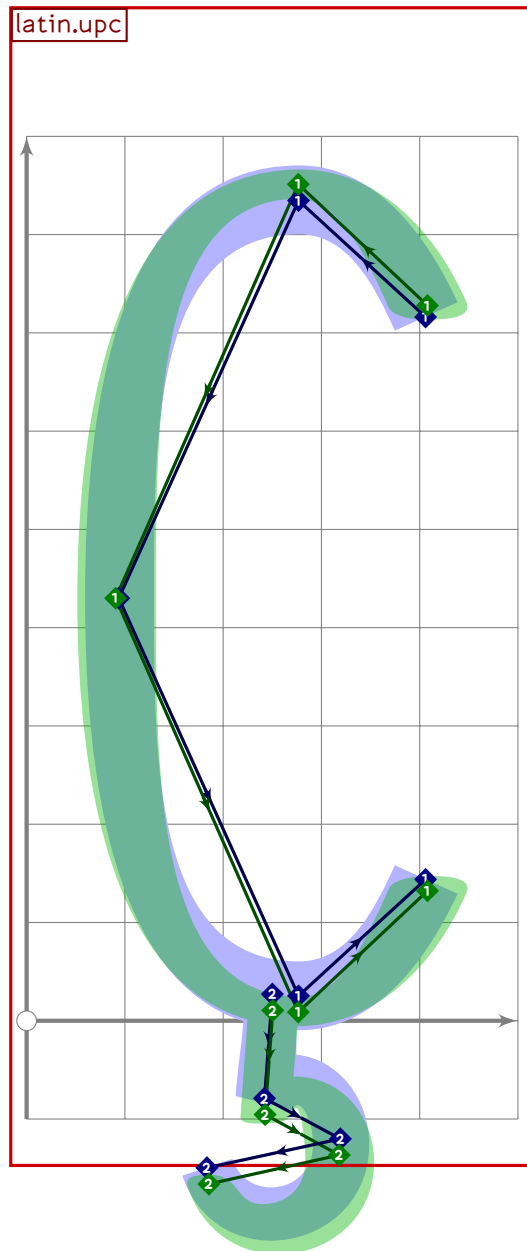


```

1053 % A with ring above
1054 begintsuglyph("Aring",197);
1055 begingroup
1056   save xsp;
1057   xsp:=sp;
1058   tsu_accent.capital(ringabove)(tsu_curve.latin.upa);
1059   bo_serif[xsp][1]:=whatever;
1060 endgroup;
1061 tsu_render;
1062 endtsuglyph;
1063
1064 % AE ligature
1065 begintsuglyph("AE",198);
1066   tsu_curve.latin.upae;
1067   tsu_render;
1068 endtsuglyph;
1069

```

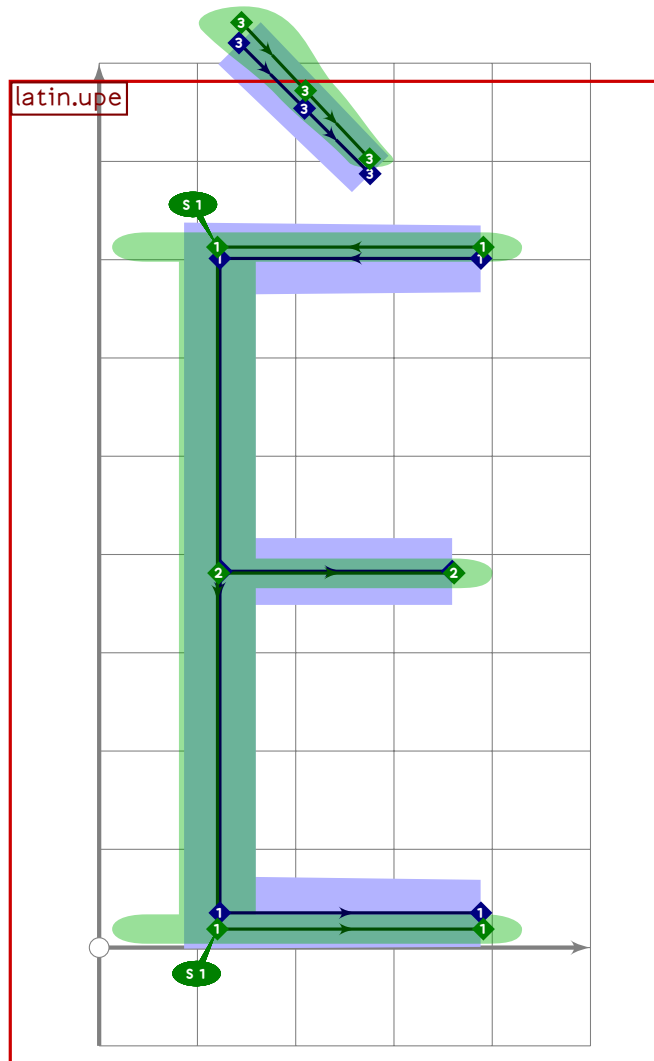
[see page 147]



```

1070 % C with cedilla
1071 begintsuglyph("Ccedilla";199);
1072 tsu_accent.cedilla(tsu_curve.latin.upc);
1073 tsu_render;
1074 endsuglyph;
1075

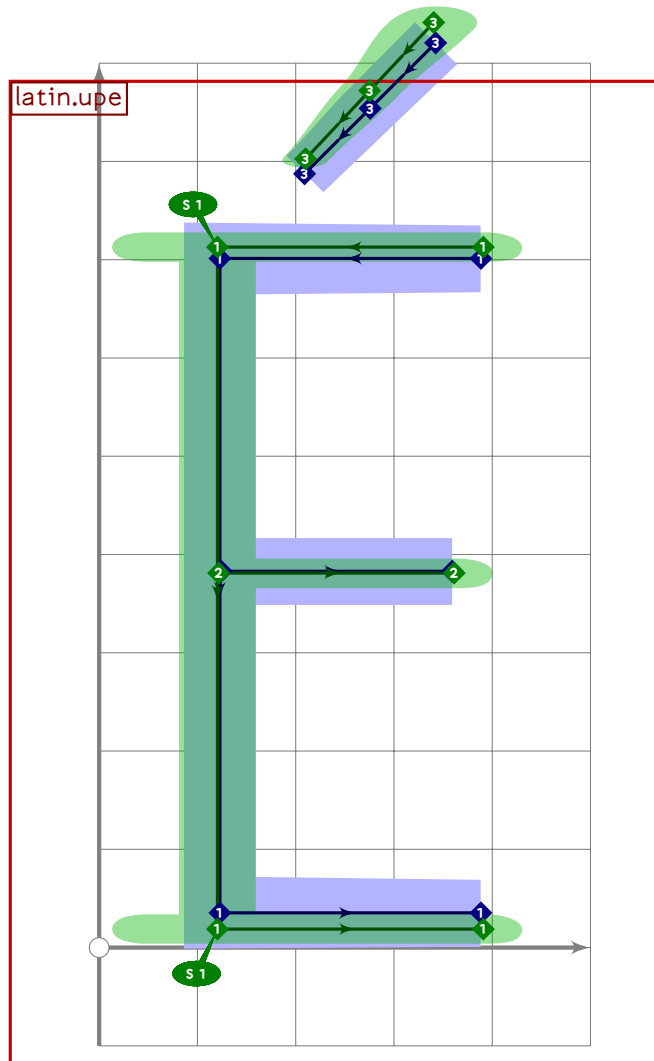
```



```

1076 % E with grave
1077 beginsuglyph("Egrave";200);
1078   tsu_accent.capital(grave)(tsu_curve.latin.upe);
1079   tsu_render;
1080 endsuglyph;
1081

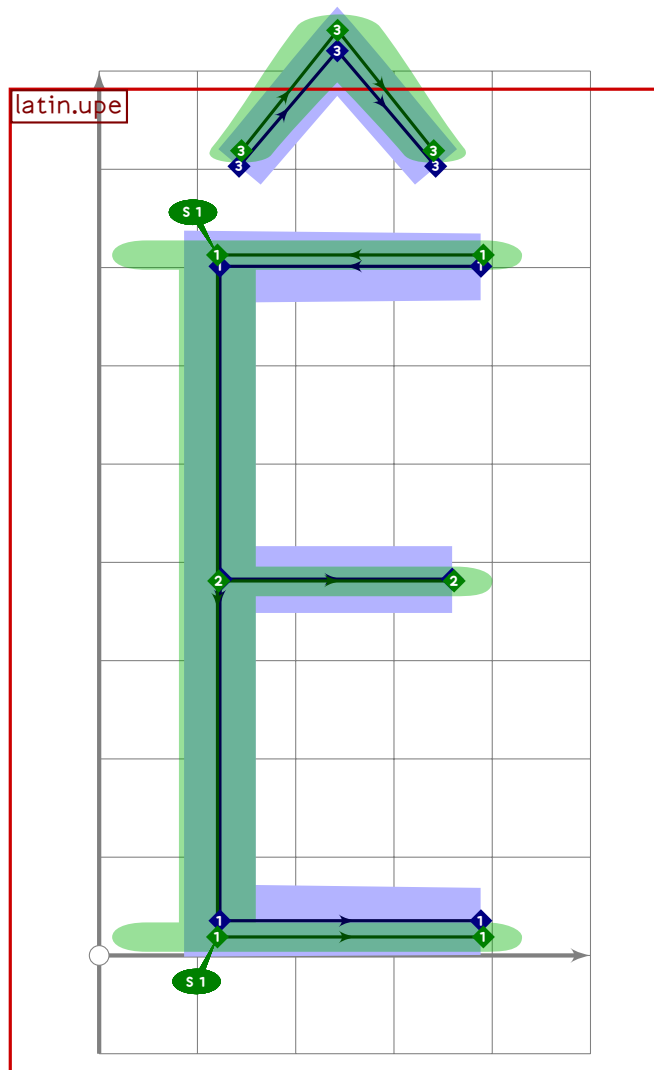
```

```

1082 % E with acute
1083 begintsuglyph("Eacute";201);
1084 tsu_accent.capital(acute)(tsu_curve.latin.ufe);
1085 tsu_render;
1086 endsuglyph;
1087

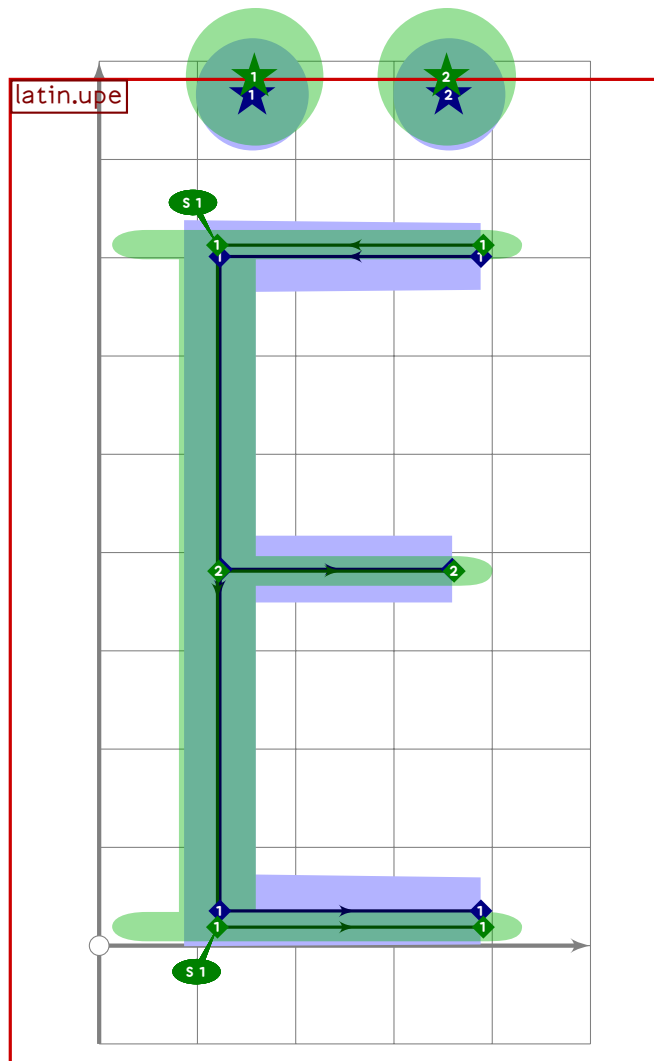
```



```

1088 % E with circumflex
1089 begintsuglyph("Ecircumflex";202);
1090 tsu_accent.capital(circumflex)(tsu_curve.latin.upe);
1091 tsu_render;
1092 endtsuglyph;
1093

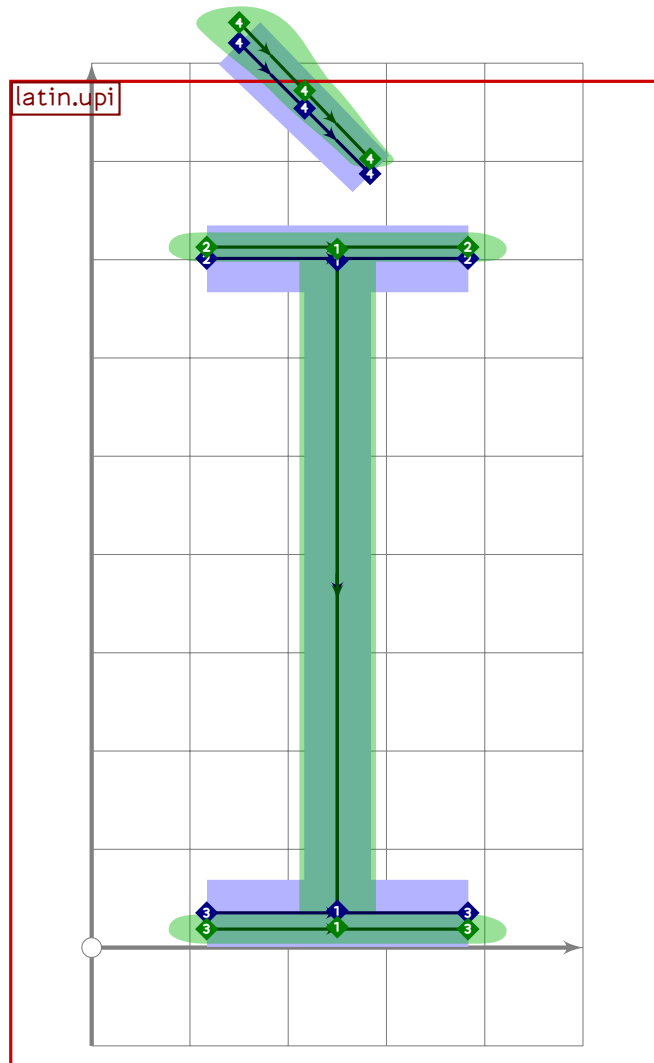
```



```

1094 % E with dieresis/umlaut
1095 begintsuglyph("Edieresis",203);
1096 tsu_accent.capital(umlaut)(tsu_curve.latin.upe);
1097 tsu_render;
1098 endsuglyph;
1099

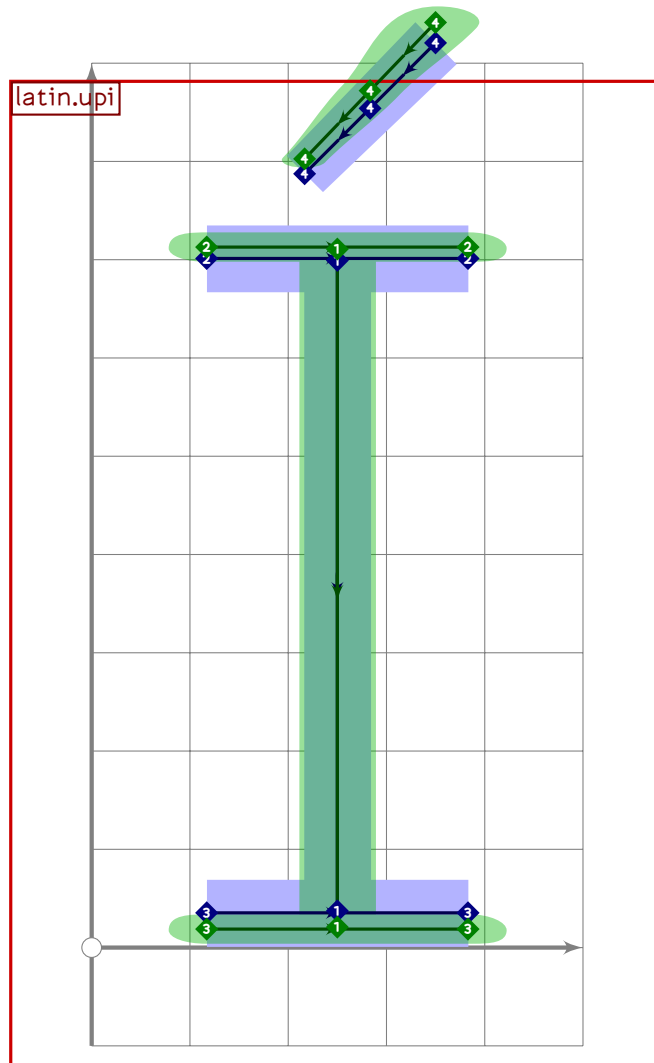
```



```

1100 % I with grave
1101 begintsuglyph("Igrave";204);
1102 tsu_accent.capital(grave)(tsu_curve.latin.upi);
1103 tsu_render;
1104 endsuglyph;
1105

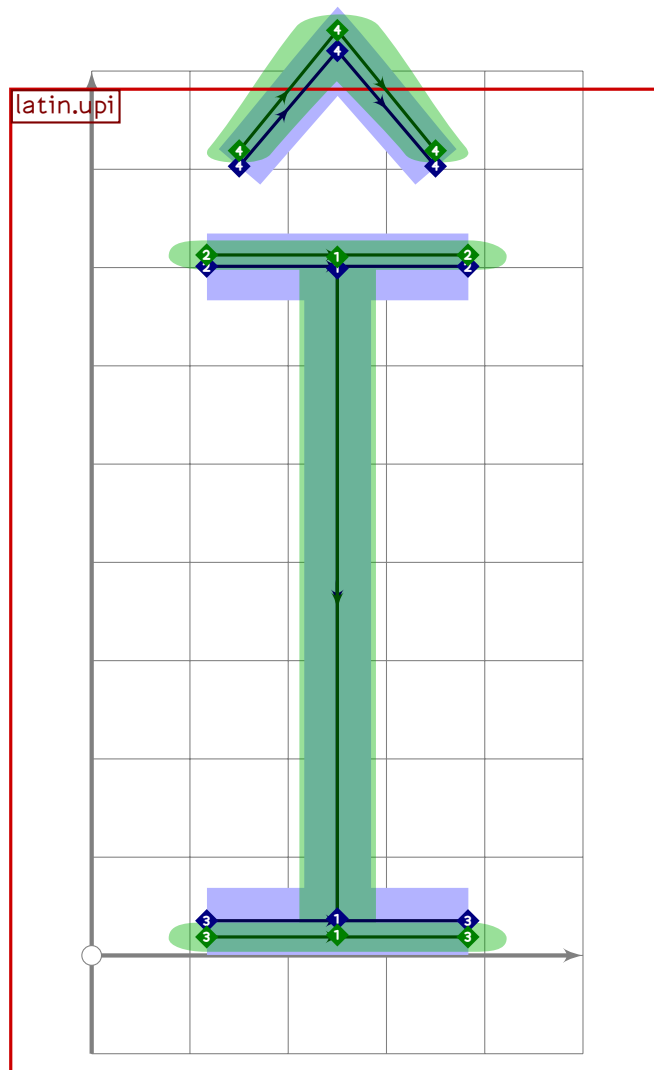
```



```

1106 % I with acute
1107 begintsuglyph("Iacute";205);
1108   tsu_accent.capital(acute)(tsu_curve.latin.upi);
1109   tsu_render;
1110 endsuglyph;
1111

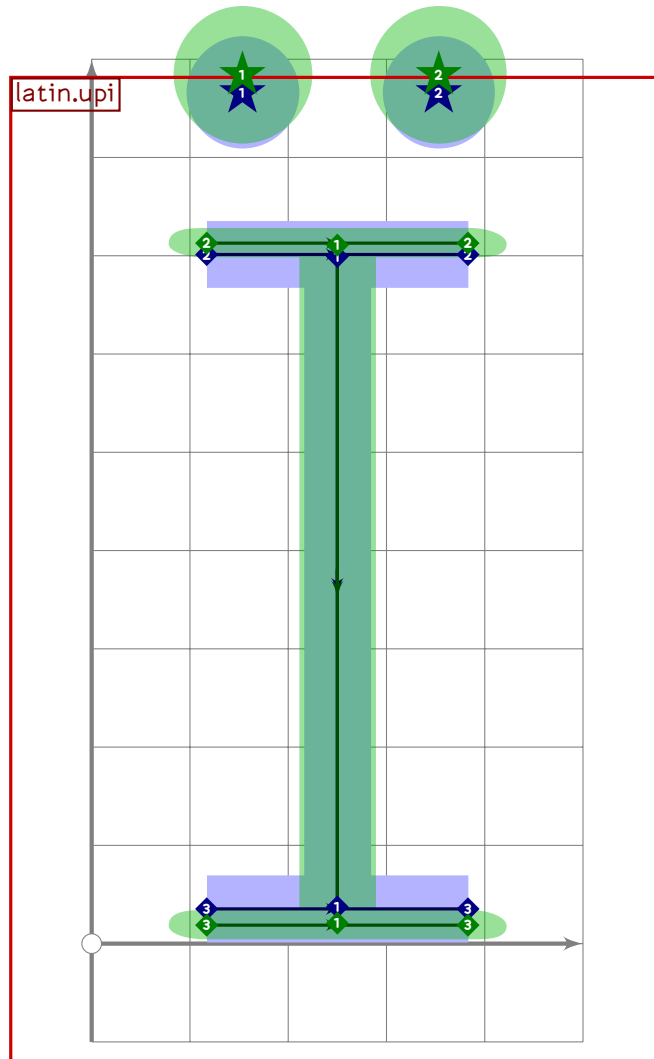
```



```

1112 % I with circumflex
1113 begintsuglyph("Icircumflex";206);
1114 tsu_accent.capital(circumflex)(tsu_curve.latin.upi);
1115 tsu_render;
1116 endtsuglyph;
1117

```

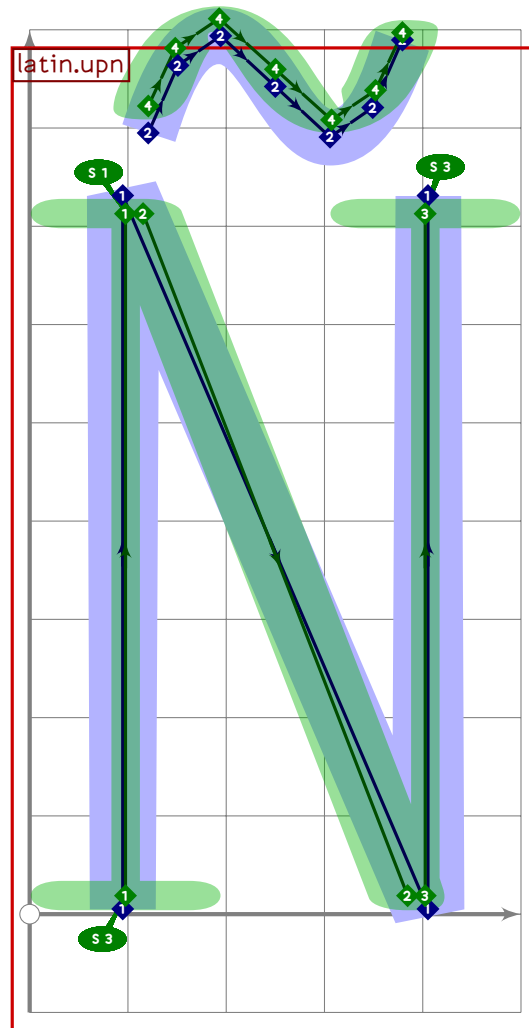


```

1118 % I with dieresis/umlaut
1119 begintsuglyph("Idieresis";207);
1120 tsu_accent.capital(umlaut)(tsu_curve.latin.upi);
1121 lcblob1:=lcblob1 shifted (15*left);
1122 lcblob2:=lcblob2 shifted (15*left);
1123 tsu_render;
1124 endtsuglyph;
1125
1126 % uppercase Icelandic Eth
1127 begintsuglyph("Eth";208);
1128 tsu_curve.latin.upeth;
1129 tsu_render;
1130 endtsuglyph;
1131

```

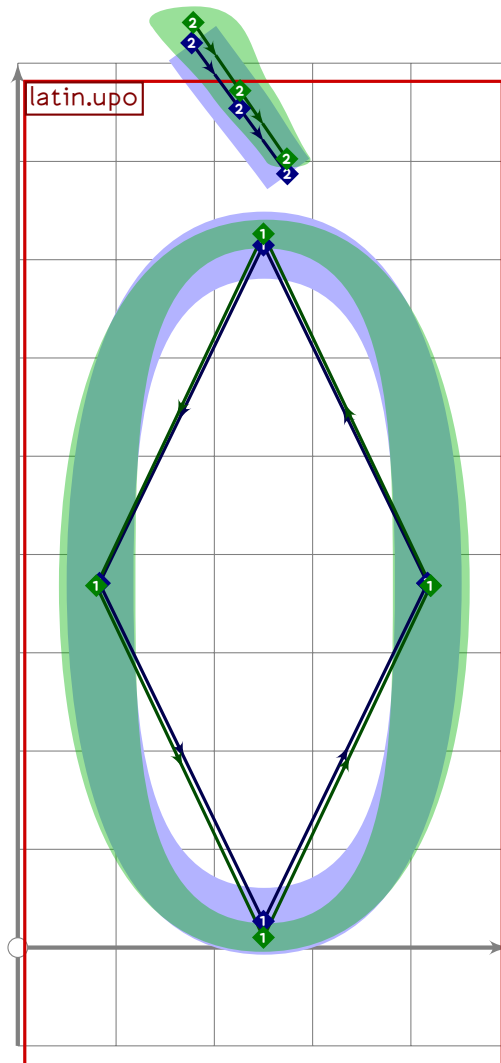
[see page 152]



```

1132 % N with tilde
1133 beginsuglyph("Ntilde";209);
1134   tsu_accent.capital(tilde)(tsu_curve.latin.upn);
1135   tsu_render;
1136 endsuglyph;
1137

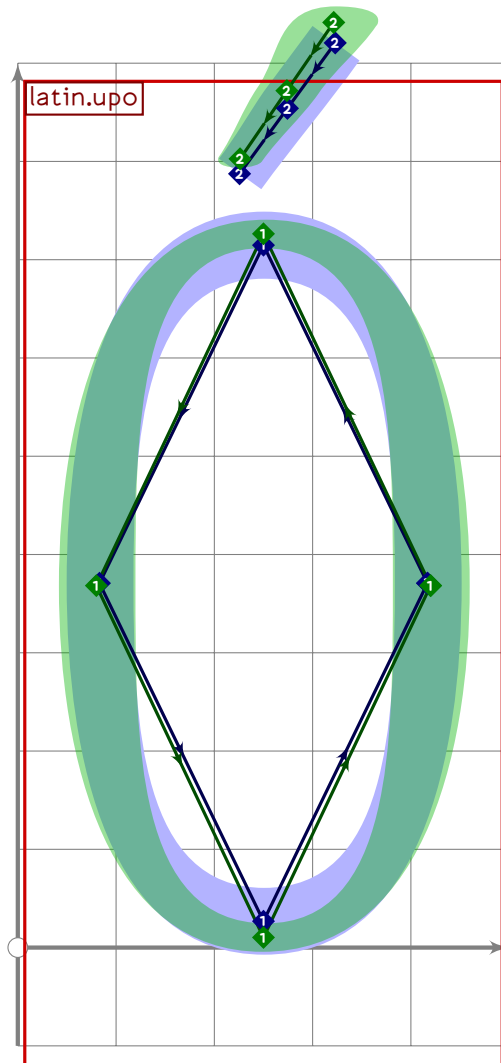
```

```

1138 % O with grave
1139 begintsuglyph("Ograve",210);
1140 tsu_accent.capital(grave)(tsu_curve.latin.upo);
1141 tsu_render;
1142 endsuglyph;
1143

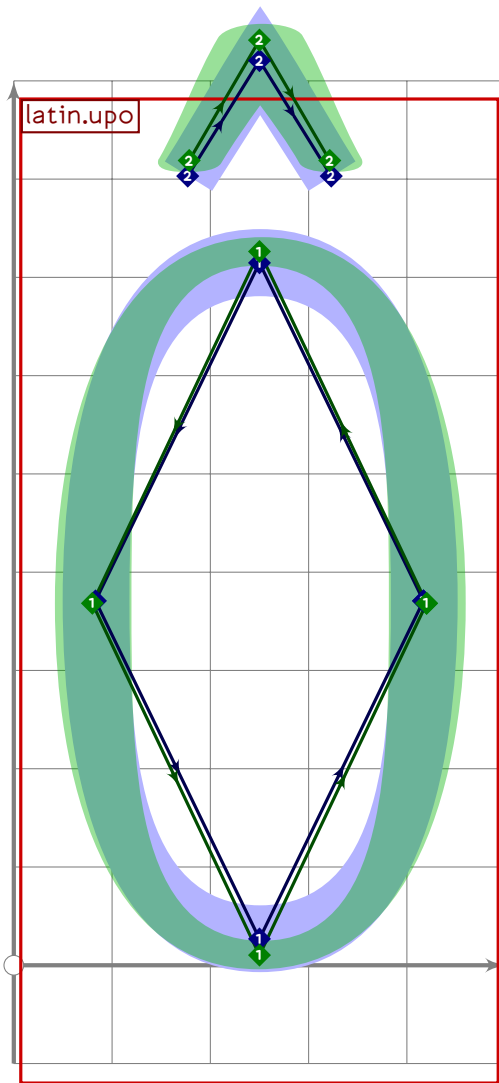
```



```

1144 % O with acute
1145 beginsuglyph("Oacute";211);
1146   tsu_accent.capital(acute)(tsu_curve.latin.upo);
1147   tsu_render;
1148 endsuglyph;
1149

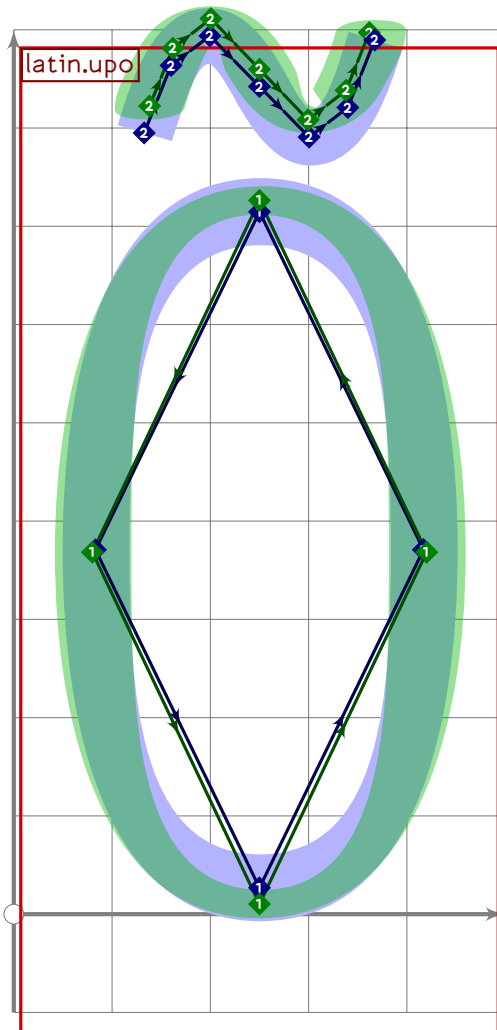
```



```

1150 % O with circumflex
1151 begintsuglyph("Ocircumflex";212);
1152 tsu_accent.capital(circumflex)(tsu_curve.latin.upo);
1153 tsu_render;
1154 endtsuglyph;
1155

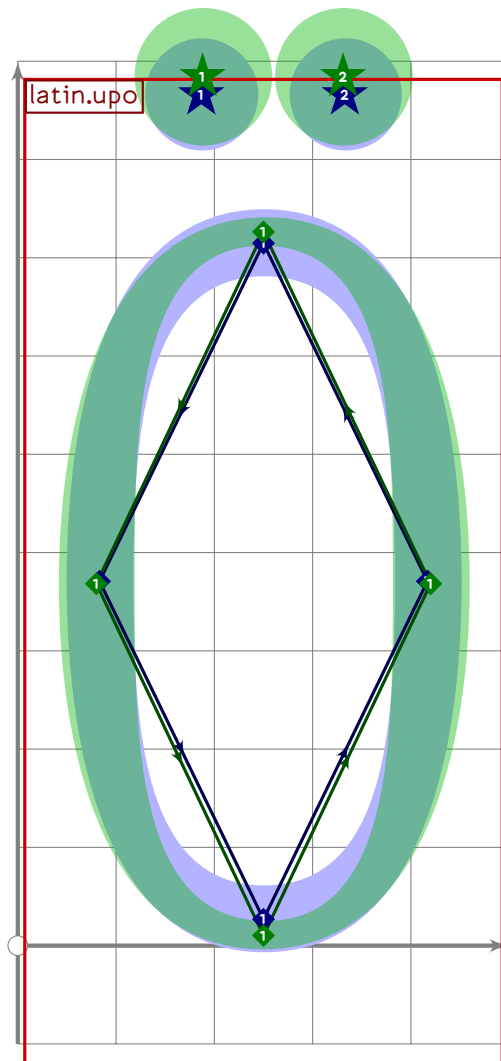
```



```

1156 % O with tilde
1157 begintsuglyph("Otilde";213);
1158   tsu_accent.capital(tilde)(tsu_curve.latin.upo);
1159   tsu_render;
1160 endsuglyph;
1161

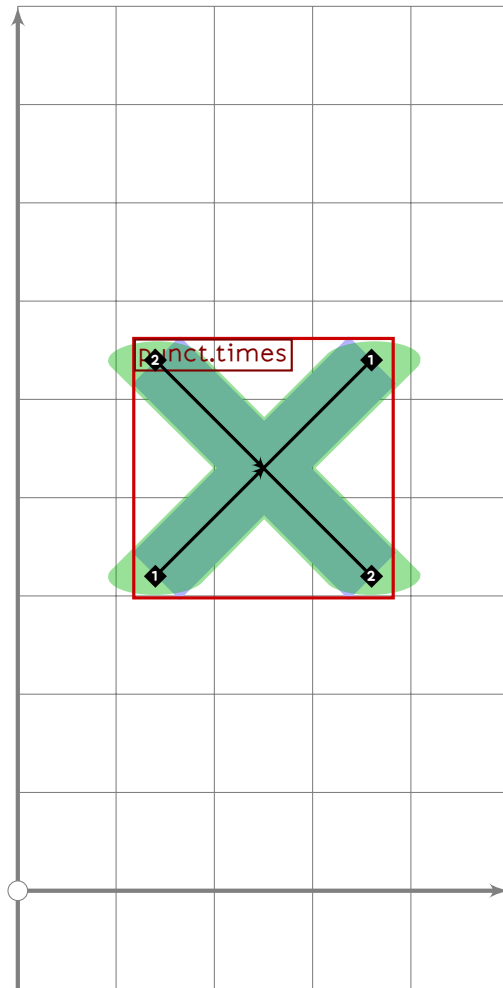
```



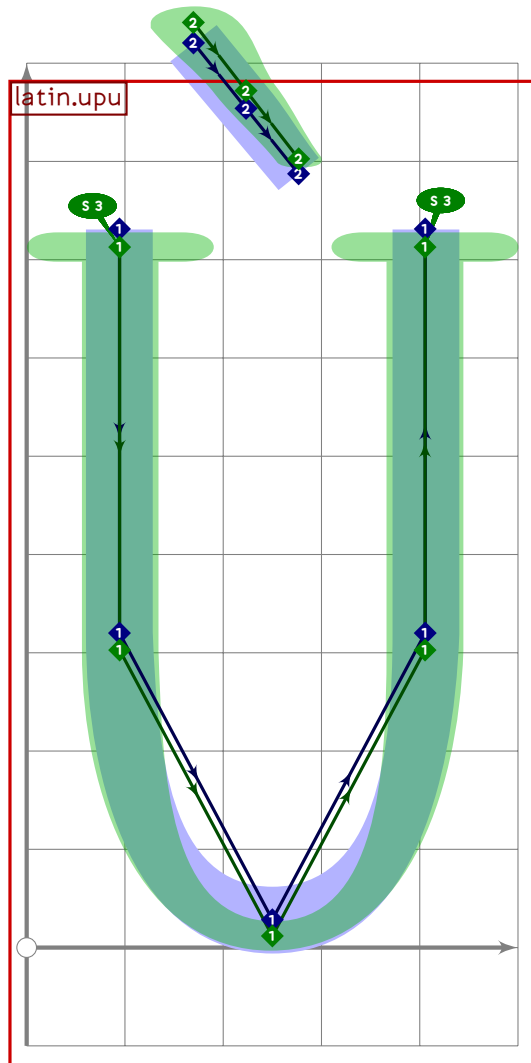
```

1162 % O with dieresis/umlaut
1163 begintsuglyph("Odieresis";214);
1164 tsu_accent.capital(umlaut)(tsu_curve.latin.upo);
1165 tsu_render;
1166 endsuglyph;
1167
1168 % times
1169 tsu_rescale_native_narrow;

```



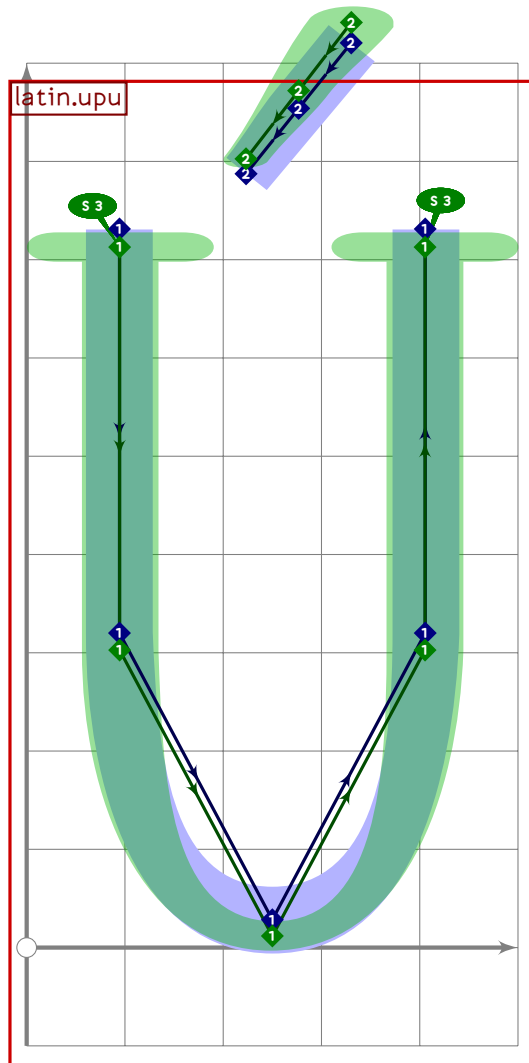
```
1170 begintsuglyph("multiply",215);  
1171 tsu_curve.punct.times  
1172 (identity scaled (1.1*tsu_punct_size) shifted (250,latin_vcentre));  
1173 tsu_render;  
1174 endtsuglyph;  
1175 tsu_rescale_half;  
1176
```

```

1185 % U with grave
1186 begintsuglyph("Ugrave";217);
1187 tsu_accent.capital(grave)(tsu_curve.latin.upu);
1188 tsu_render;
1189 endsuglyph;
1190

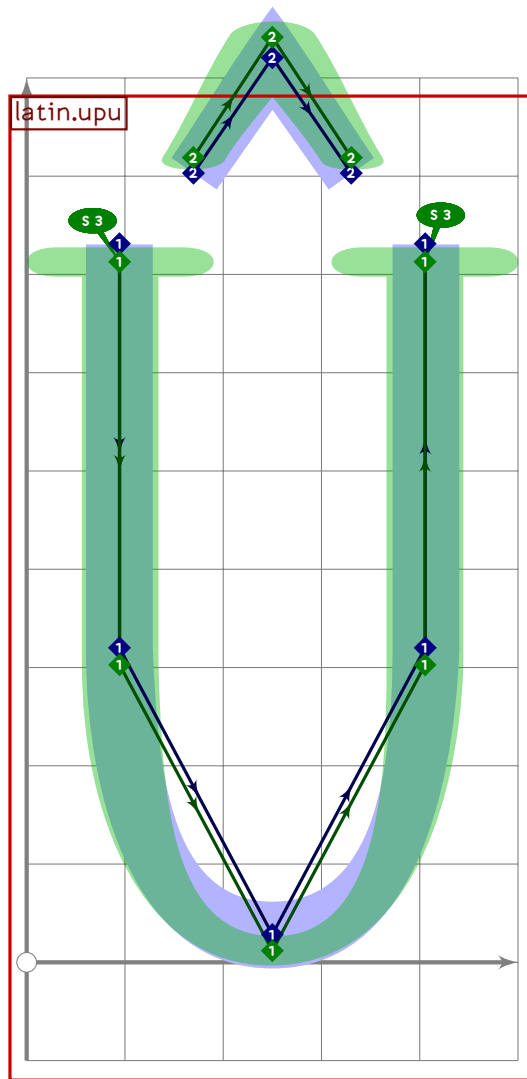
```

```

1191 % U with acute
1192 beginsuglyph("Uacute";218);
1193   tsu_accent.capital(acute)(tsu_curve.latin.upu);
1194   tsu_render;
1195 endsuglyph;
1196

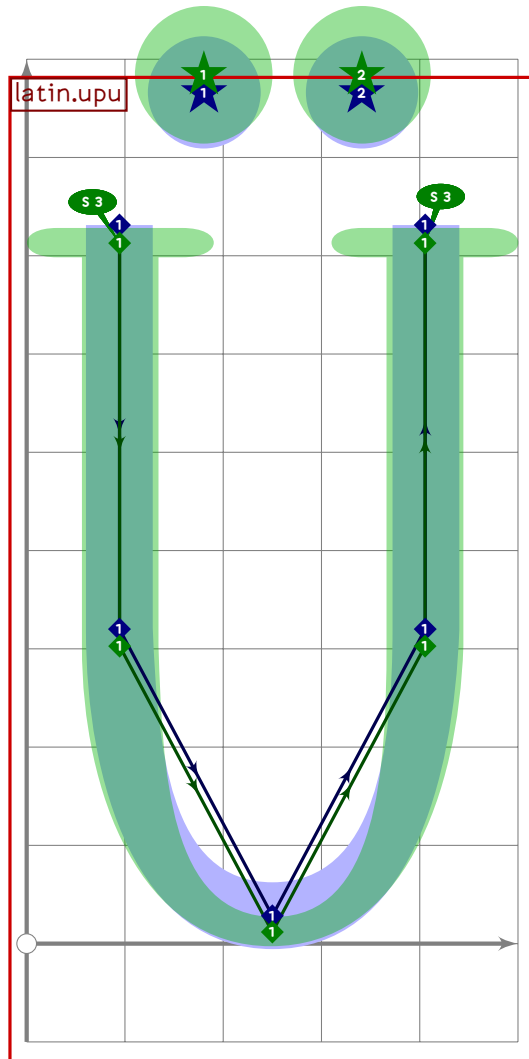
```



```

1197 % U with circumflex
1198 begintsuglyph("Ucircumflex";219);
1199   tsu_accent.capital(circumflex)(tsu_curve.latin.upu);
1200   tsu_render;
1201   endsuglyph;
1202

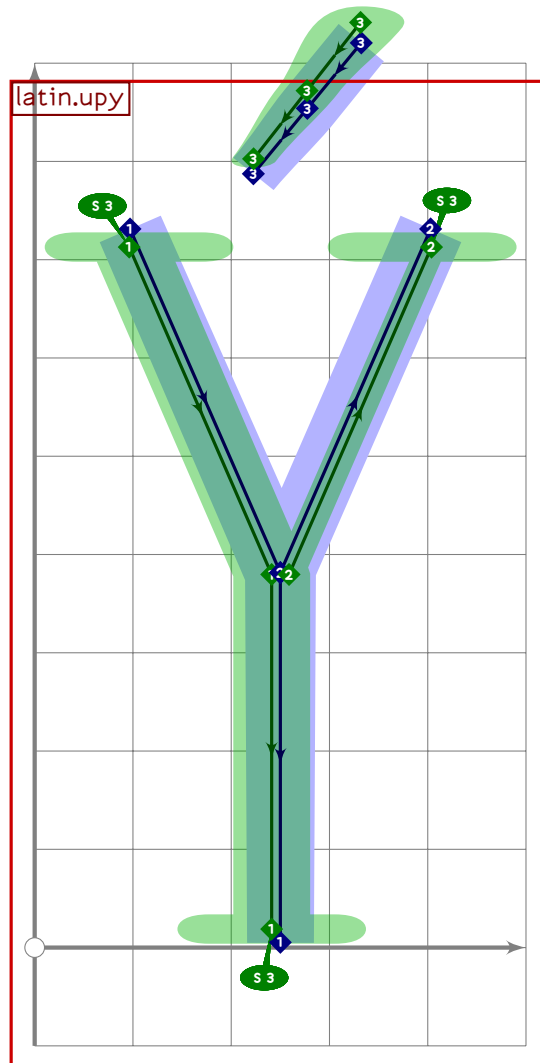
```



```

1203 % U with dieresis/umlaut
1204 beginsuglyph("Udieresis";220);
1205   tsu_accent.capital(umlaut)(tsu_curve.latin.upu);
1206   tsu_render;
1207 endsuglyph;
1208

```



```

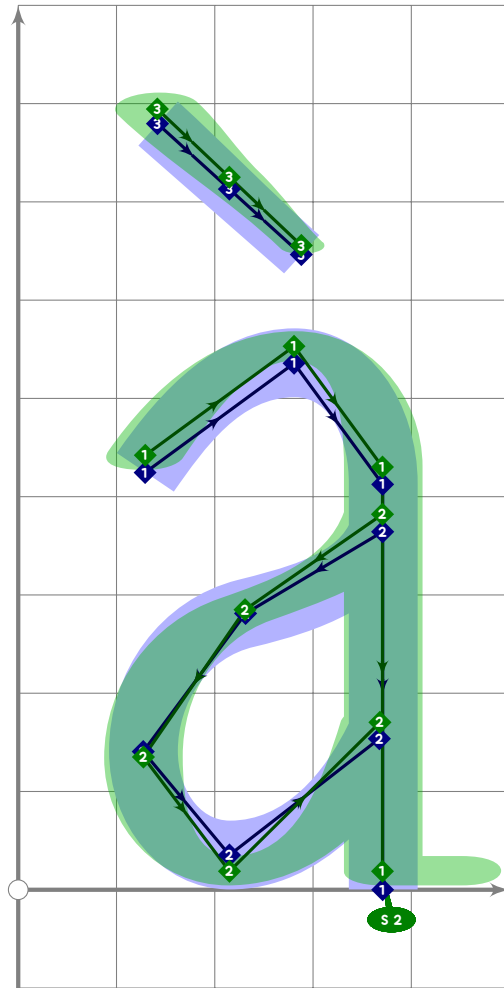
1209 % Y with acute
1210 begintsuglyph("Yacute";221);
1211   tsu_accent.capital(acute)(tsu_curve.latin.upy);
1212   tsu_render;
1213 endsuglyph;
1214
1215 % uppercase Thorn
1216 begintsuglyph("Thorn";222);
1217   tsu_curve.latin.upthorn;
1218   tsu_render;
1219 endsuglyph;
1220
1221 % eszett
1222 begintsuglyph("germandbls";223);
1223   tsu_curve.latin.loweszett;
1224   tsu_render;
1225 endsuglyph;
1226

```

[see page 174]

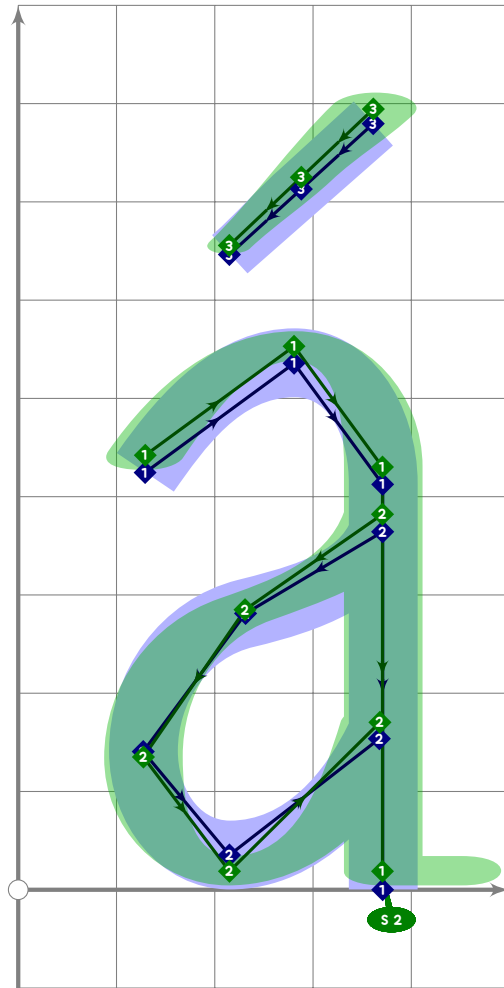
[see page 190]

latin.low



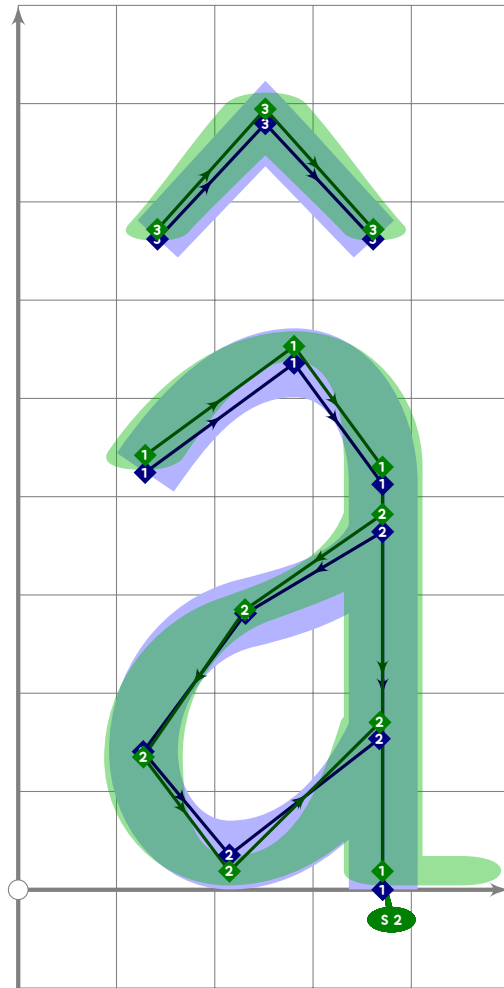
```
1227 % a with grave
1228 begint Suglyph("agrave";224);
1229 tsu_accent.grave(tsu_curve.latin.low);
1230 tsu_render;
1231 endtsuglyph;
1232
```

latin.lowa

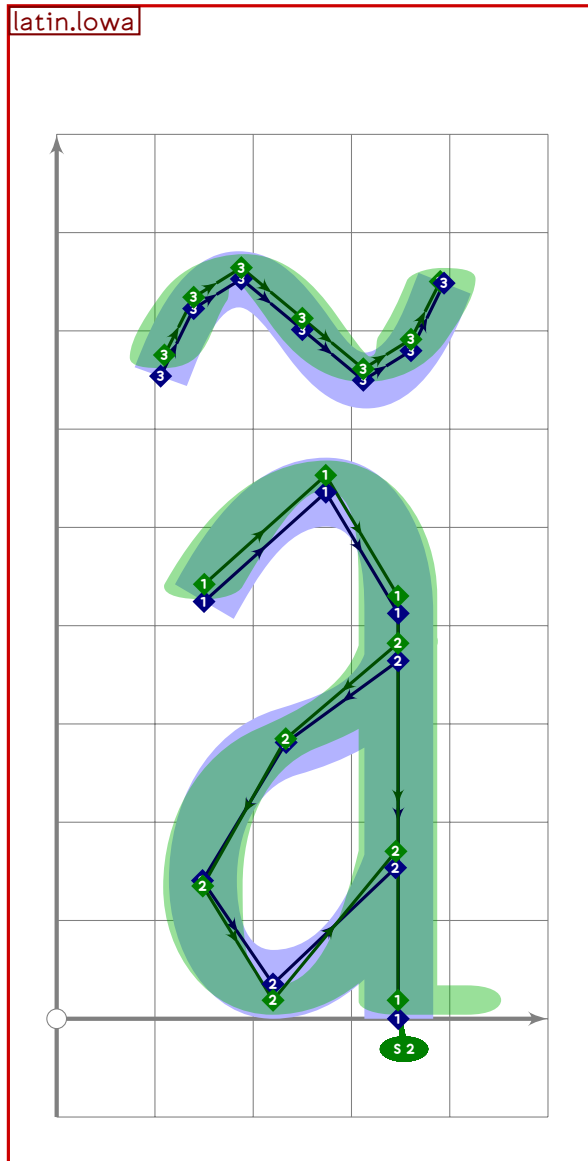


```
1233 % a with acute
1234 begint Suglyph("aacute";225);
1235   tsu_accent.acute(tsu_curve.latin.lowa);
1236   tsu_render;
1237   endtsuglyph;
1238
```

latin.low



```
1239 % a with circumflex
1240 begint Suglyph("acircumflex",226);
1241   tsu_accent.circumflex(tsu_curve.latin.low);
1242   tsu_render;
1243 endtsuglyph;
1244
```

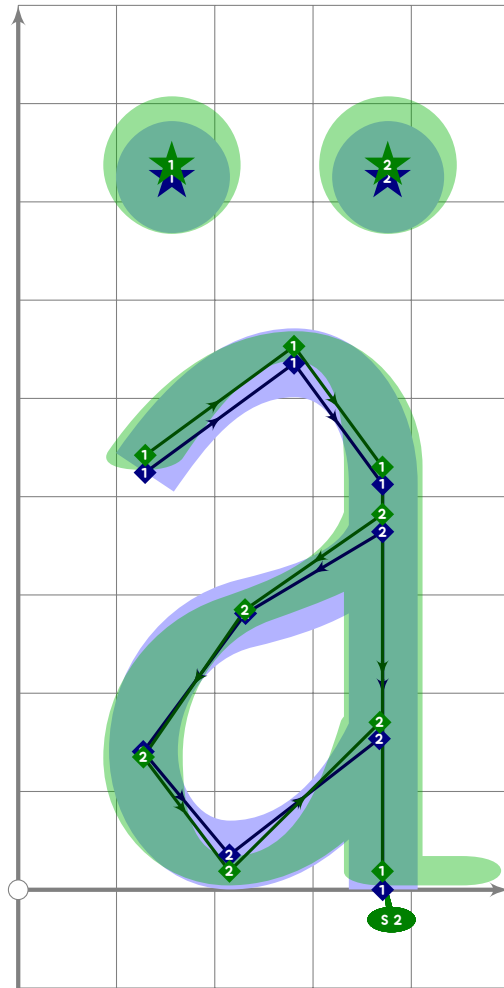


```

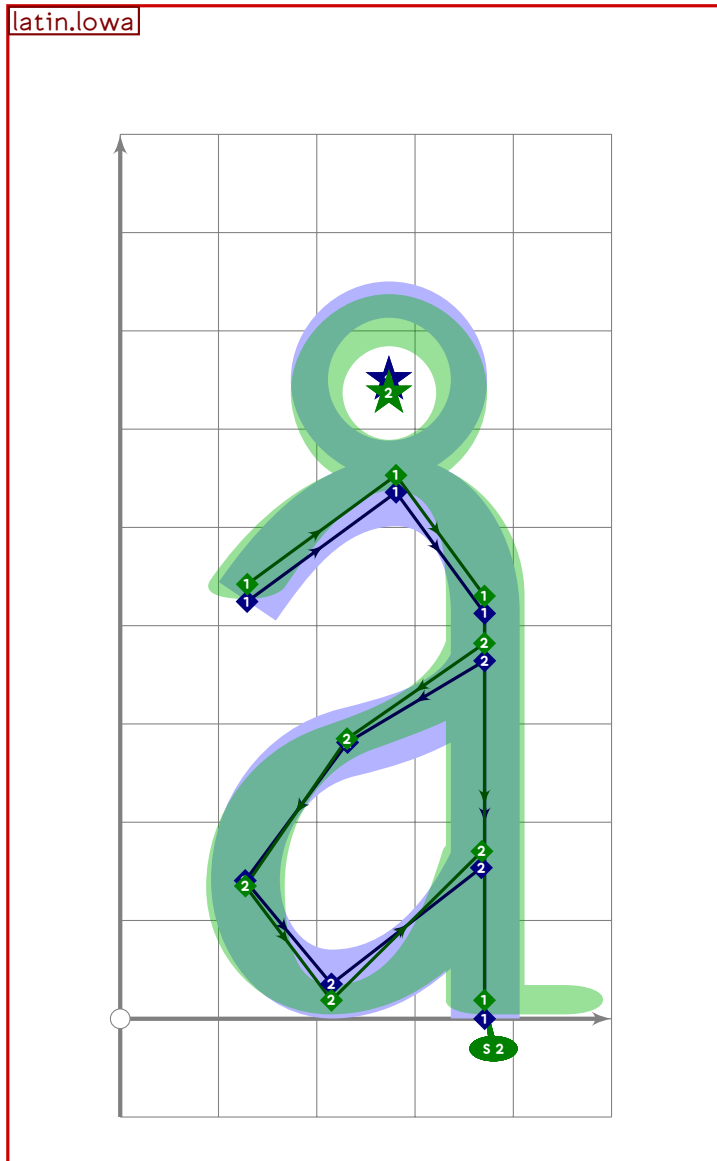
1245 % a with tilde
1246 begint Suglyph("atilde";227);
1247   tsu_accent.tilde(tsu_curve.latin.lowa);
1248   tsu_render;
1249 endtsuglyph;
1250

```


latin.low



```
1251 % a with dieresis/umlaut
1252 begintsuglyph("adieresis";228);
1253 tsu_accent.umlaut(tsu_curve.latin.low);
1254 tsu_render;
1255 endtsuglyph;
1256
```



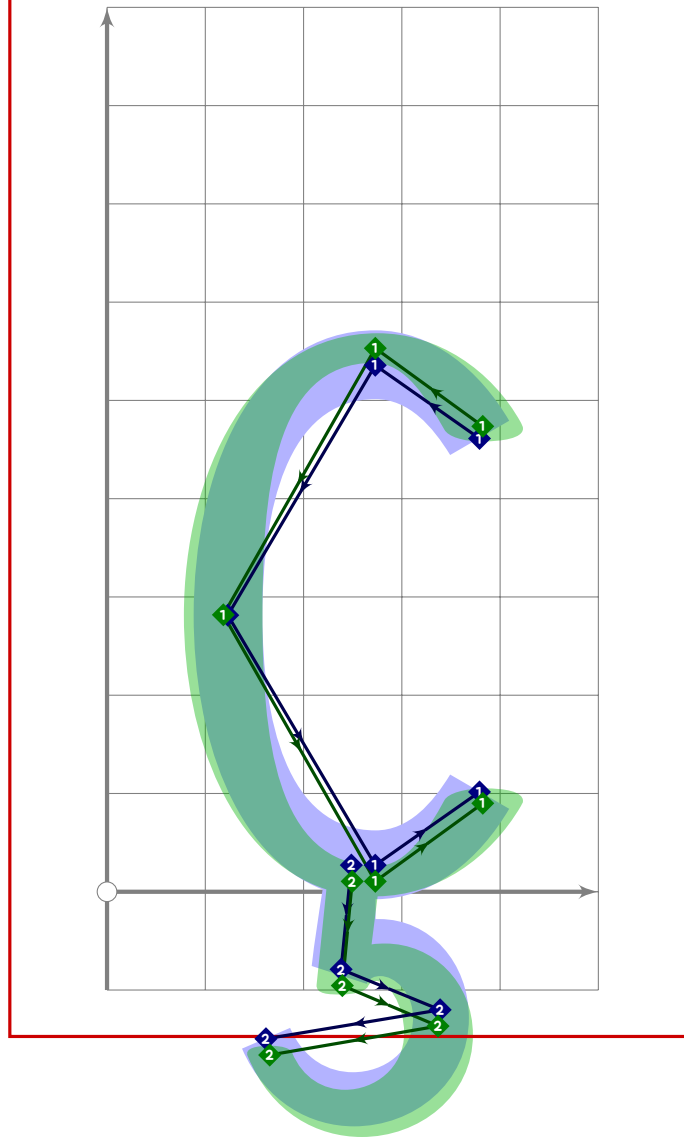
```

1257 % a with ring above
1258 begintsuglyph("aring";229);
1259 tsu_accent.ringabove(tsu_curve.latin.lowa);
1260 lcblob1:=lcblob1 shifted (30,-20);
1261 lcblob2:=lcblob2 shifted (30,-20);
1262 tsu_render;
1263 endtsuglyph;
1264
1265 % ae ligature
1266 begintsuglyph("ae";230);
1267 tsu_curve.latin.lowa;
1268 tsu_render;
1269 endtsuglyph;
1270

```

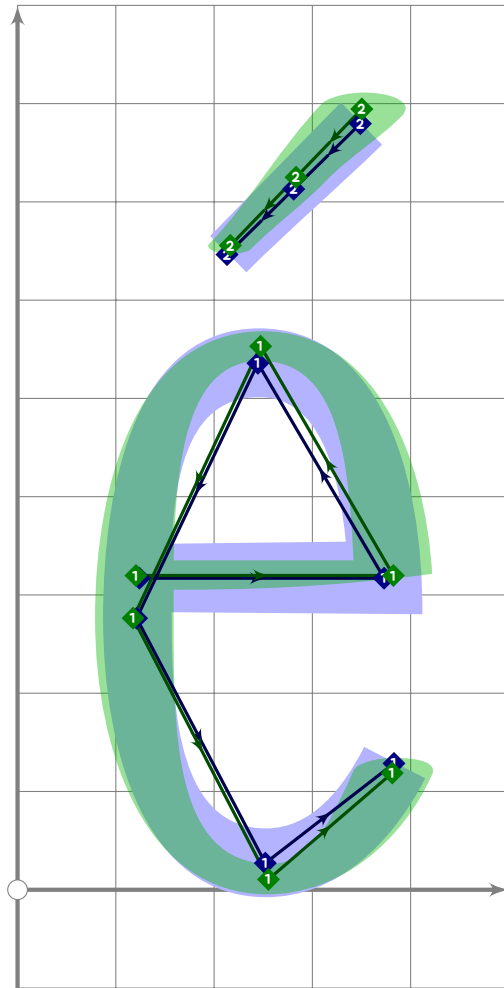
[see page 184]

latin.lowc



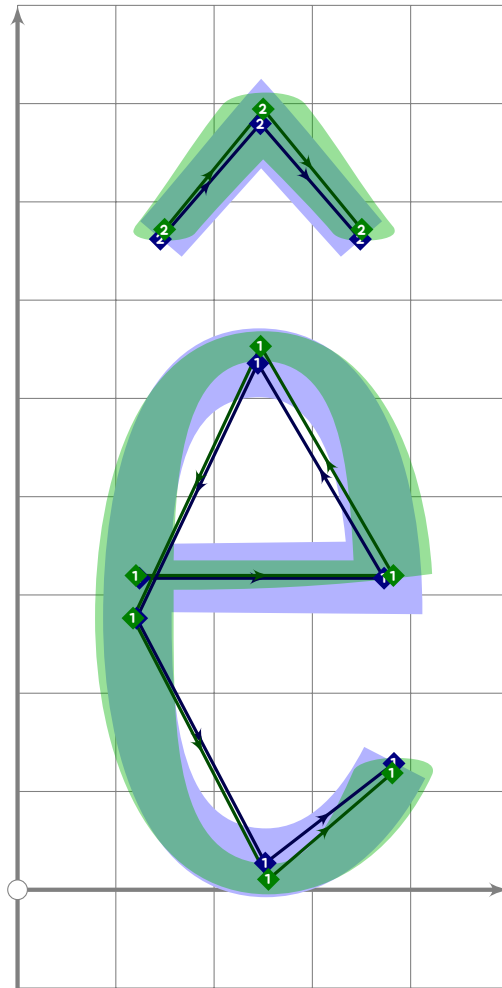
```
1271 % c with cedilla
1272 begint Suglyph("ccedilla",231);
1273 tsu_accent.cedilla(tsu_curve.latin.lowc);
1274 tsu_render;
1275 endtsuglyph;
1276
```


latin.lower



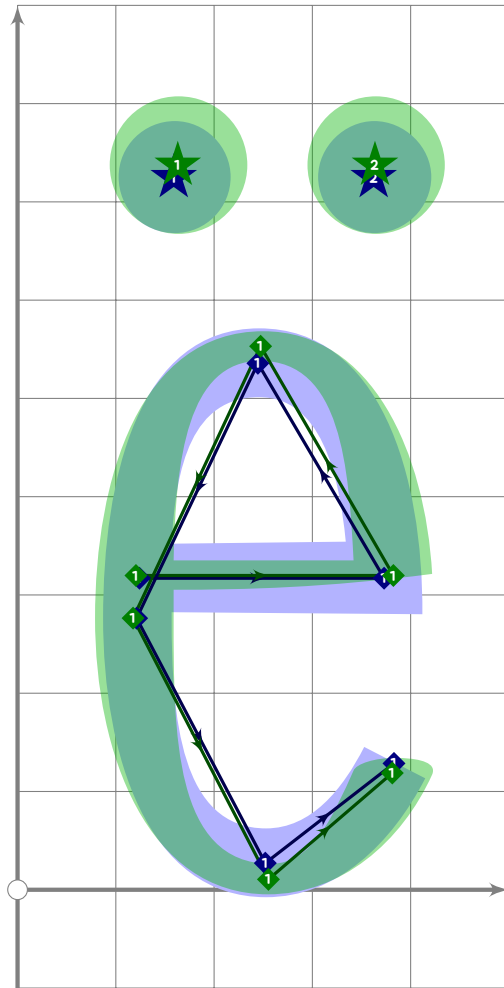
```
1283 % e with acute
1284 begintsuglyph("eacute",233);
1285 tsu_accent.acute(tsu_curve.latin.lower);
1286 tsu_render;
1287 endtsuglyph;
1288
```

latin.love



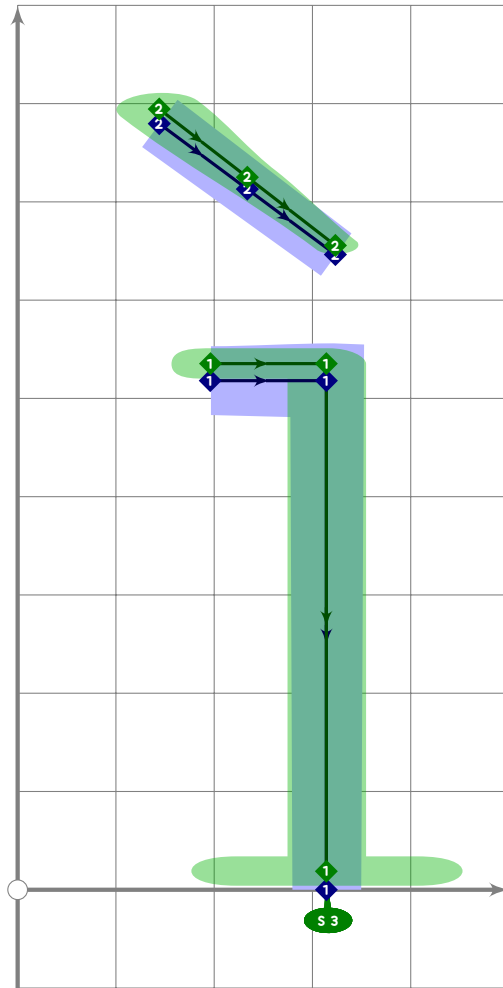
```
1289 % e with circumflex
1290 begintsuglyph("ecircumflex",234);
1291   tsu_accent.circumflex(tsu_curve.latin.love);
1292   tsu_render;
1293 endtsuglyph;
1294
```

latin.lowe



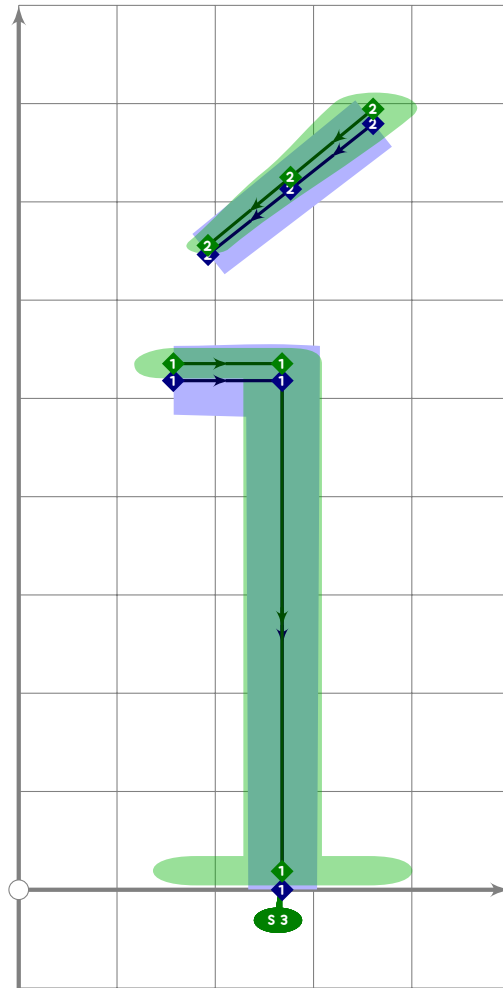
```
1295 % e with dieresis/umlaut
1296 begintsuglyph("edieresis";235);
1297 tsu_accent.umlaut(tsu_curve.latin.lowe);
1298 tsu_render;
1299 endtsuglyph;
1300
```

latin.lowi



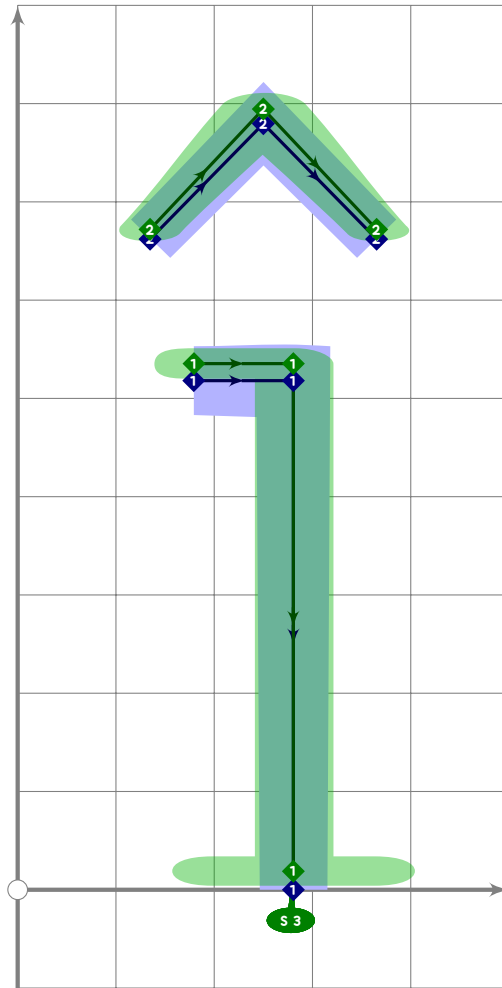
```
1301 % i with grave
1302 begint Suglyph("igrave";236);
1303 tsu_accent.grave(
1304     tsu_curve.latin.lowi;
1305     bpl:=bpl shifted (70*right);
1306     path lcblob[]
1307 );
1308 tsu_render;
1309 endtsuglyph;
1310
```


latin.lowi



```
1311 % i with acute
1312 begint Suglyph("iacute",237);
1313   tsu_accent.acute(
1314     tsu_curve.latin.lowi;
1315     bpl:=bpl shifted (70*right);
1316     path lcblob[]
1317   );
1318   tsu_render;
1319 endtsuglyph;
1320
```

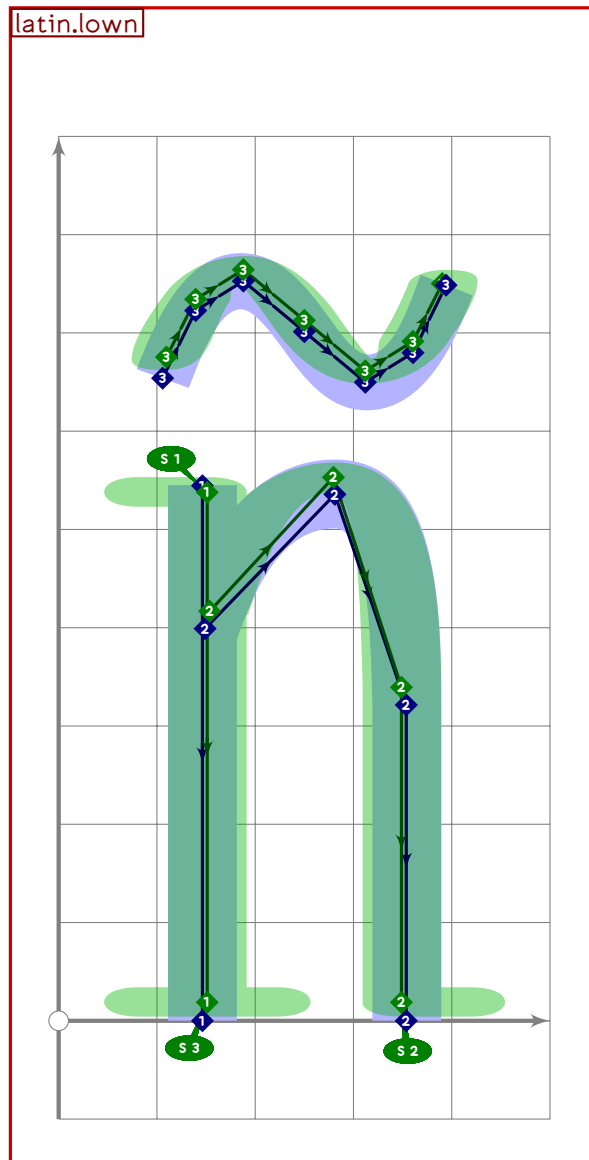
latin.lowi



```
1321 % i with circumflex
1322 begint Suglyph("icircumflex";238);
1323   tsu_accent.circumflex(
1324     tsu_curve.latin.lowi;
1325     bpl:=bpl shifted (70*right);
1326     path lcblob[]
1327   );
1328   tsu_render;
1329   endtsuglyph;
1330
```


1347 endtsuglyph;

1348



1349 % n with tilde

1350 `begintsuglyph("ntilde",241);`

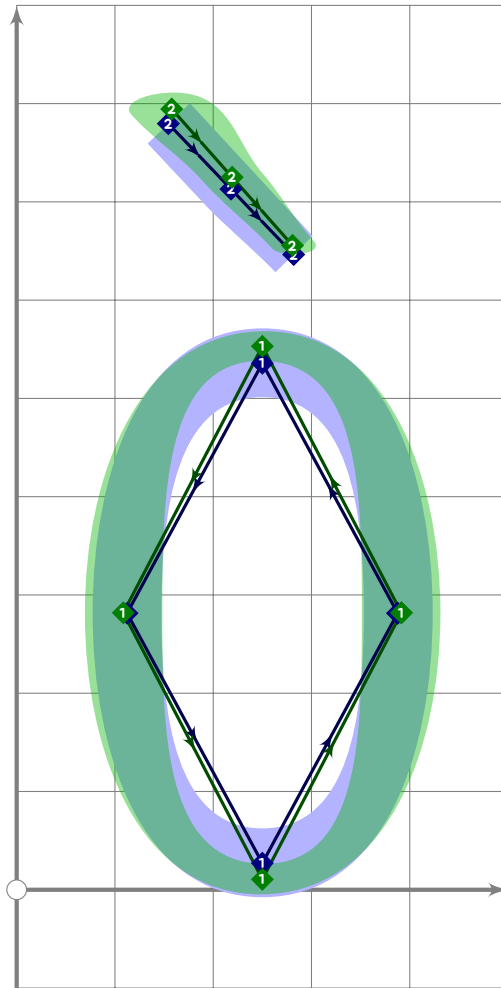
1351 `tsu_accent.tilde(tsu_curve.latin,lown);`

1352 `tsu_render;`

1353 endtsuglyph;

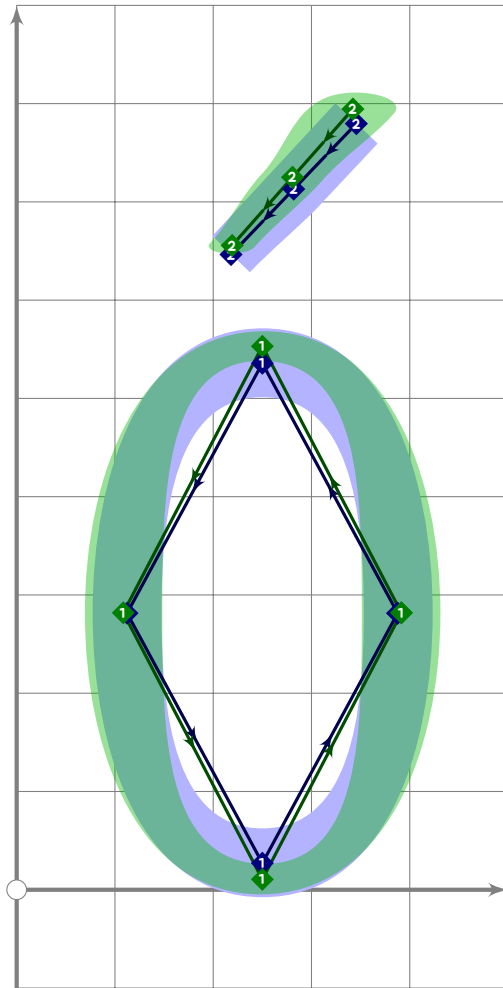
1354

latin.low



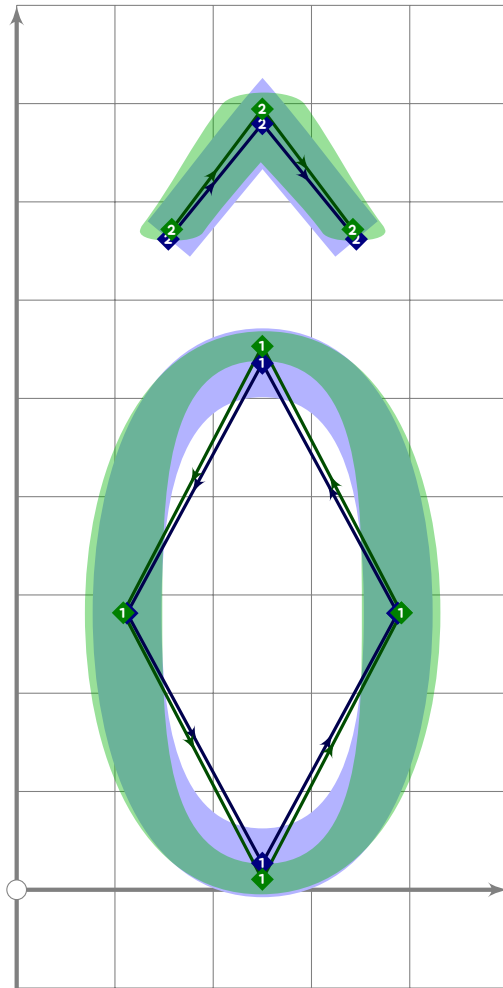
```
1355 % o with grave
1356 begintsuglyph("ograve";242);
1357 tsu_accent.grave(tsu_curve.latin.low);
1358 tsu_render;
1359 endtsuglyph;
1360
```

latin.low

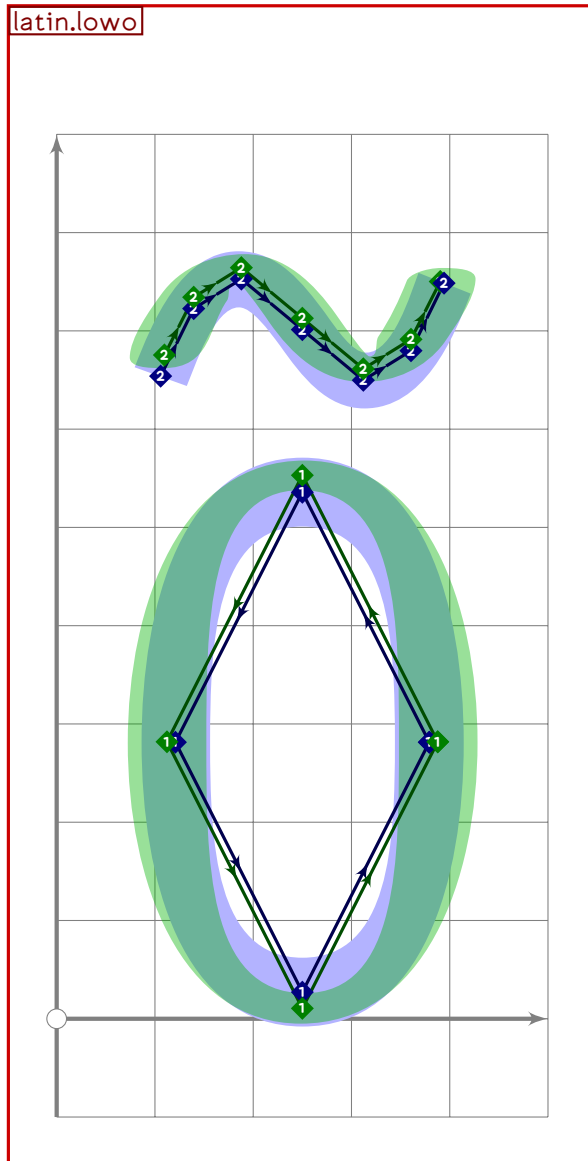


```
1361 % o with acute
1362 begintsglyph("oacute";243);
1363 tsu_accent.acute(tsu_curve.latin.low);
1364 tsu_render;
1365 endsuglyph;
1366
```

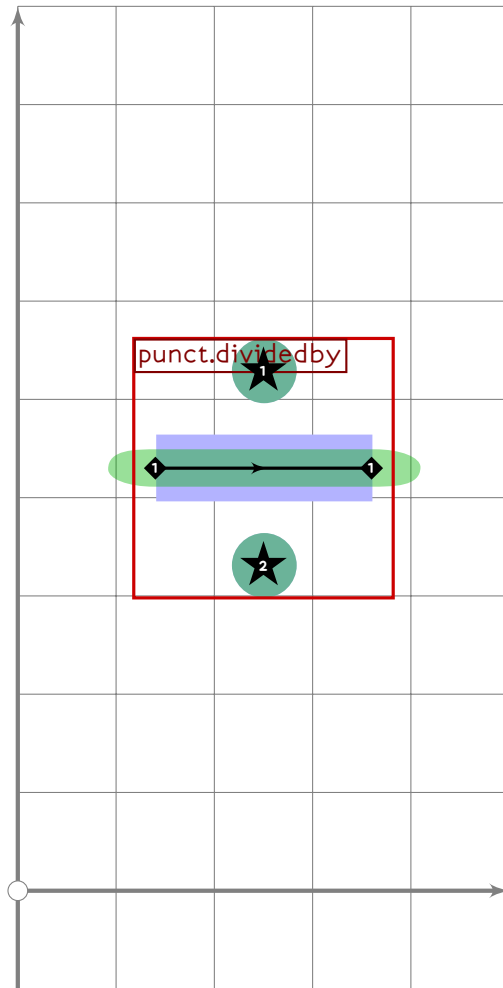
latin.low



```
1367 % o with circumflex
1368 begintsuglyph("ocircumflex",244);
1369 tsu_accent.circumflex(tsu_curve.latin.low);
1370 tsu_render;
1371 endtsuglyph;
1372
```



```
1373 % o with tilde
1374 begintsuglyph("otilde",245);
1375 tsu_accent.tilde(tsu_curve.latin.lowo);
1376 tsu_render;
1377 endsuglyph;
1378
```

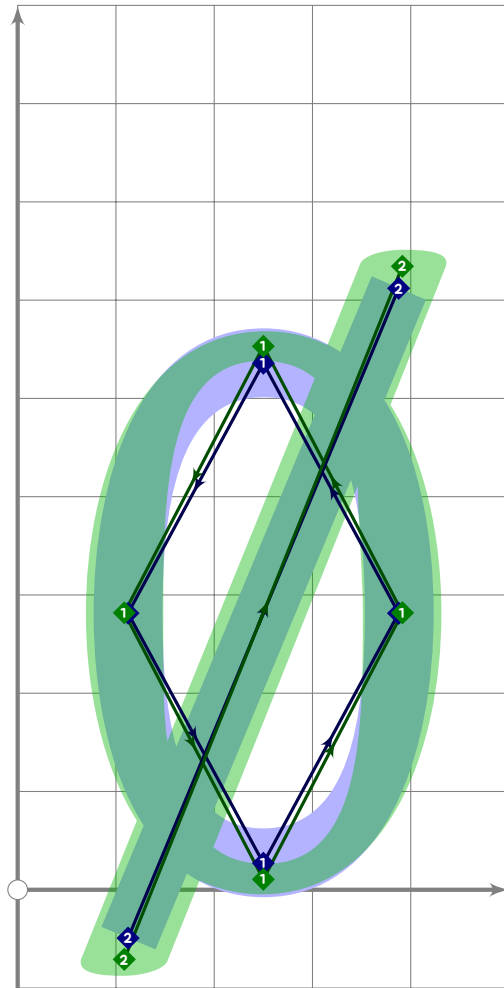



```

1387 begintsuglyph("divide",247);
1388 tsu_curve.punct.dividedby
1389 (identity scaled (1.1*tsu_punct_size) shifted (250,latin_vcentre));
1390 tsu_render;
1391 endtsuglyph;
1392 tsu_rescale_half;
1393

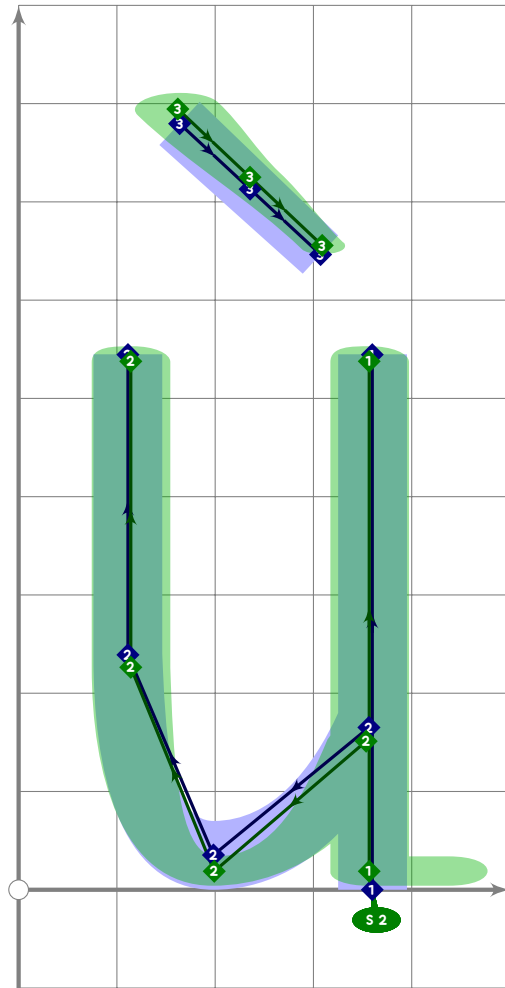
```

latin.lowo



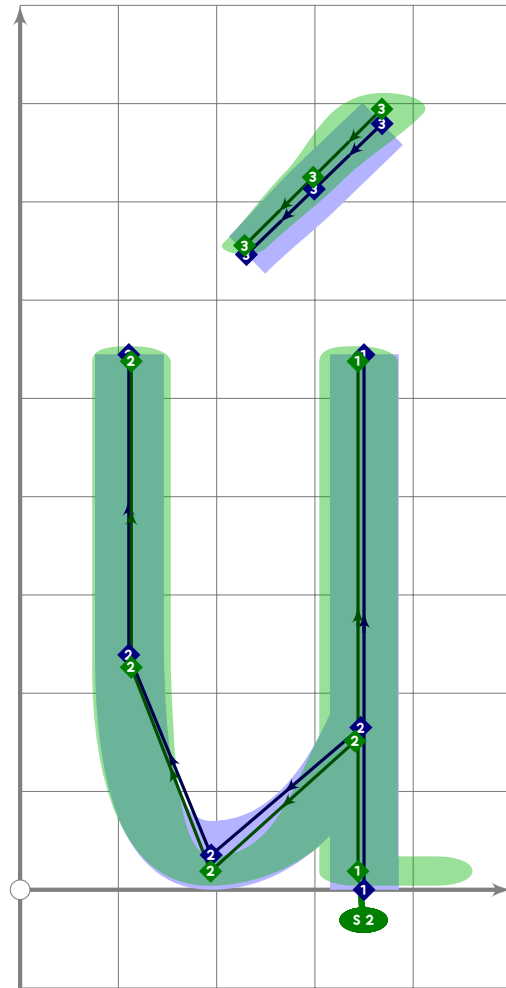
```
1394 % o with stroke
1395 begintsuglyph("oslash",248);
1396 tsu_accent.lcslash(tsu_curve.latin.lowo);
1397 tsu_render;
1398 endsuglyph;
1399
```

latin.lowu



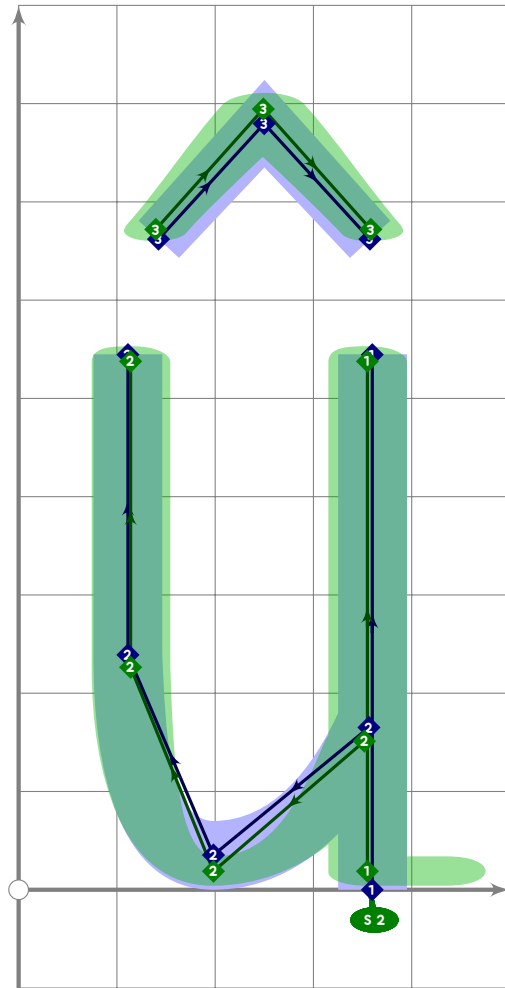
```
1400 % u with grave
1401 begintsuglyph("ugrave";249);
1402 tsu_accent.grave(tsu_curve.latin.lowu);
1403 tsu_render;
1404 endtsuglyph;
1405
```

latin.lowu



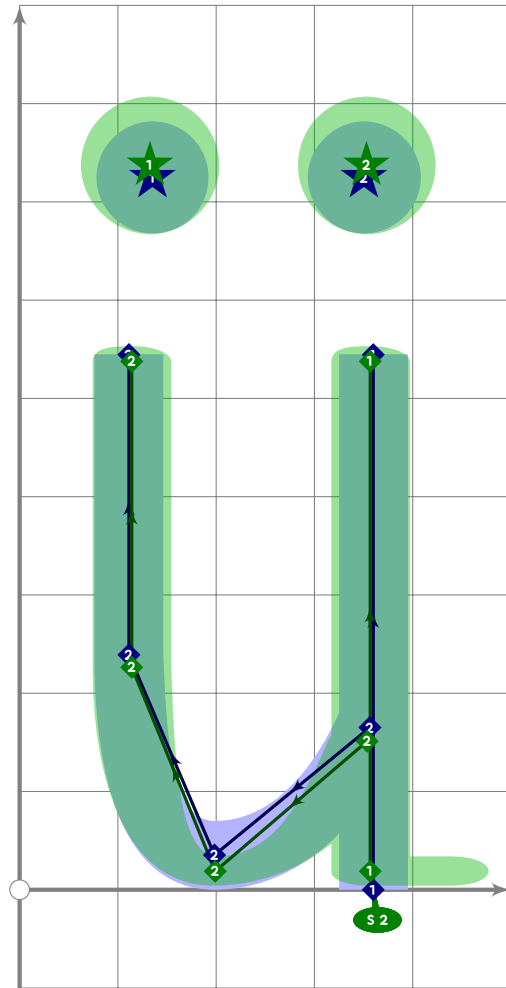
```
1406 % u with acute
1407 begint Suglyph("uacute";250);
1408   tsu_accent.acute(tsu_curve.latin.lowu);
1409   tsu_render;
1410 endtsuglyph;
1411
```

latin.lowu

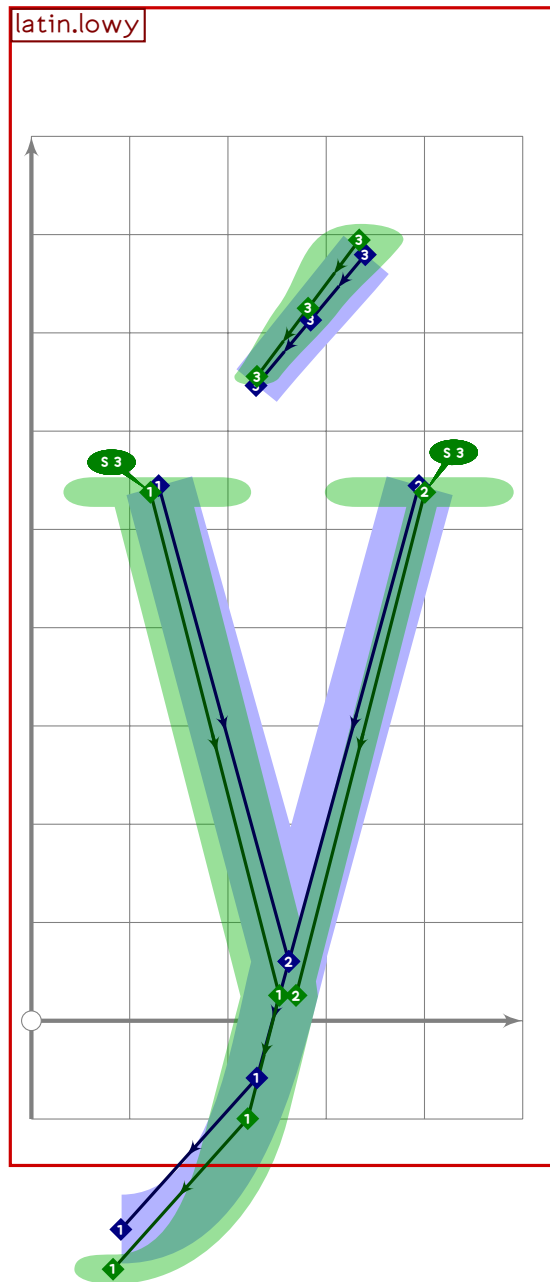


```
1412 % u with circumflex
1413 begint Suglyph("ucircumflex";251);
1414 tsu_accent.circumflex(tsu_curve.latin.lowu);
1415 bp3:=bp3 shifted (-30,0);
1416 tsu_render;
1417 endtsuglyph;
1418
```

latin.lowu



```
1419 % u with dieresis/umlaut
1420 begintsuglyph("udieresis";252);
1421 tsu_accent.umlaut(tsu_curve.latin.lowu);
1422 lcblob1=lcblob1 shifted (-60,0);
1423 lcblob2=lcblob2 shifted (-60,0);
1424 tsu_render;
1425 endtsuglyph;
1426
```

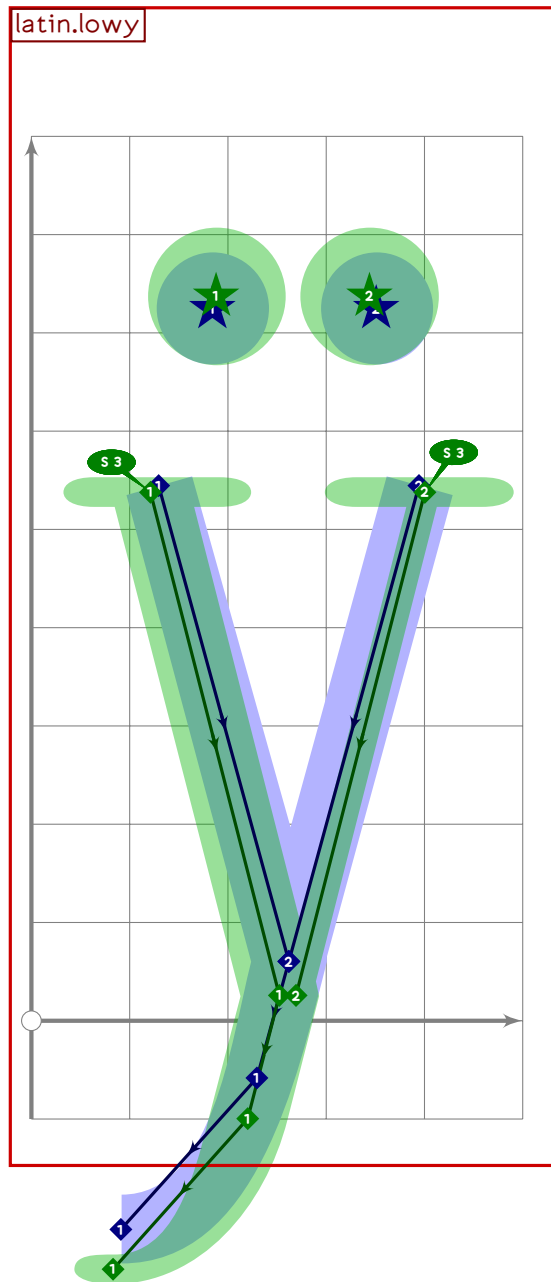


```

1427 % y with acute
1428 begintsuglyph("yacute";253);
1429 tsu_accent.acute(tsu_curve.latin.lowy);
1430 tsu_render;
1431 endtsuglyph;
1432
1433 % thorn
1434 begintsuglyph("thorn";254);
1435 tsu_curve.latin.lowthorn;
1436 tsu_render;
1437 endtsuglyph;
1438

```

[see page 216]



```

1439 % y with dieresis/umlaut
1440 begintzuglyph("ydieresis";255);
1441   tsu_accent.umlaut(tsu_curve.latin.lowy);
1442   tsu_render;
1443 endtsuglyph;
1444
1445 -----
1446
1447 endfont;
1448
1449 -----

```

tsuku-01.mp

```
1 %
2 % Unicode page 01 (Latin Extended A) for Tsukurimashou
3 % Copyright (C) 2011 Matthew Skala
4 %
5-29 [Standard copyright notice]
30
31 

---

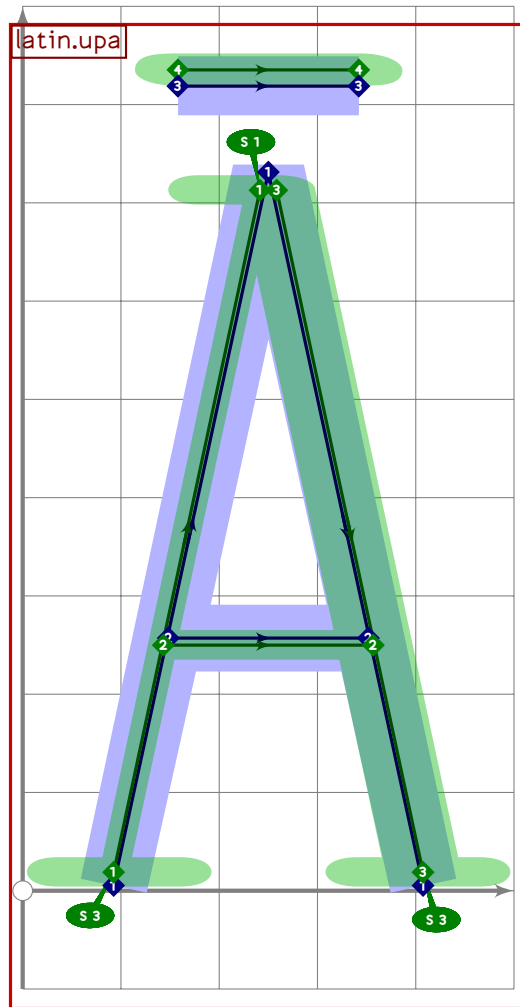

32
33 beginfont
34
35 input latin-intro.mp;
36
37 % AUTODEPS
38 input accent.mp;
39 input latin.mp;
40 input ogonek.mp;
41 input punct.mp;
42
43 

---


44
```

Latin Extended A

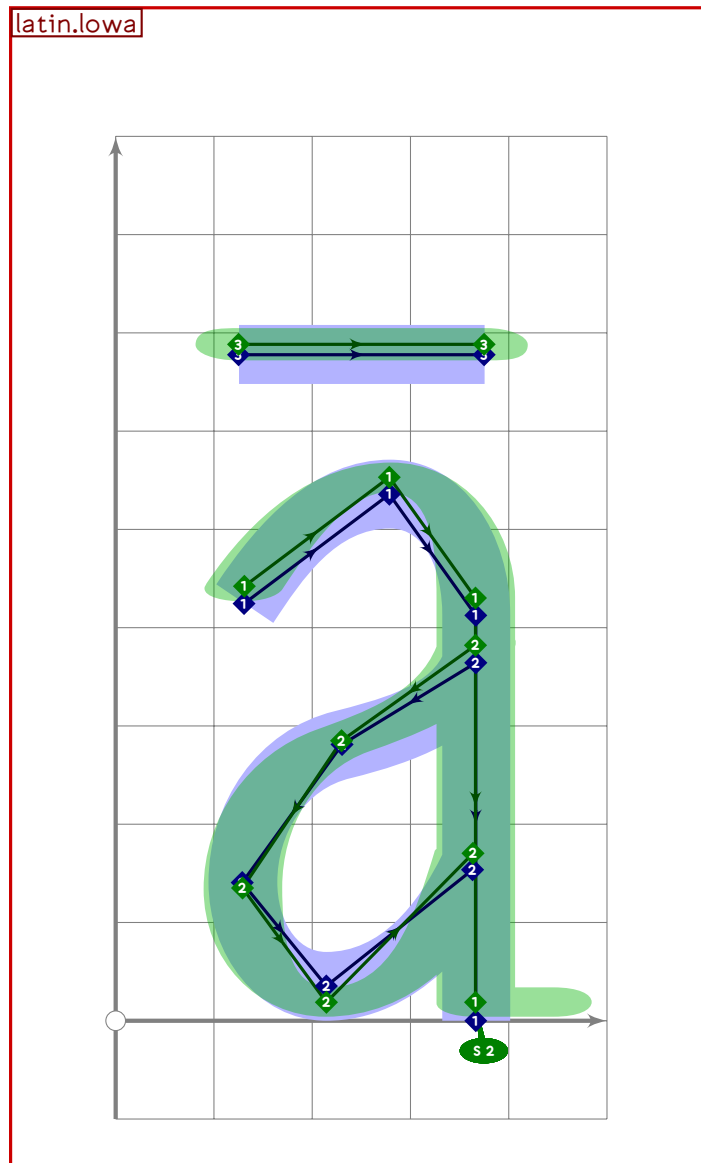
```
45 % LATIN EXTENDED A
46
47 tsu_rescale_half;
48
```



```

49 % A with macron
50 begint Suglyph("A macron";0);
51   tsu_accent.capital(macron)(tsu_curve.latin.upa);
52   tsu_render;
53 endtsuglyph;
54

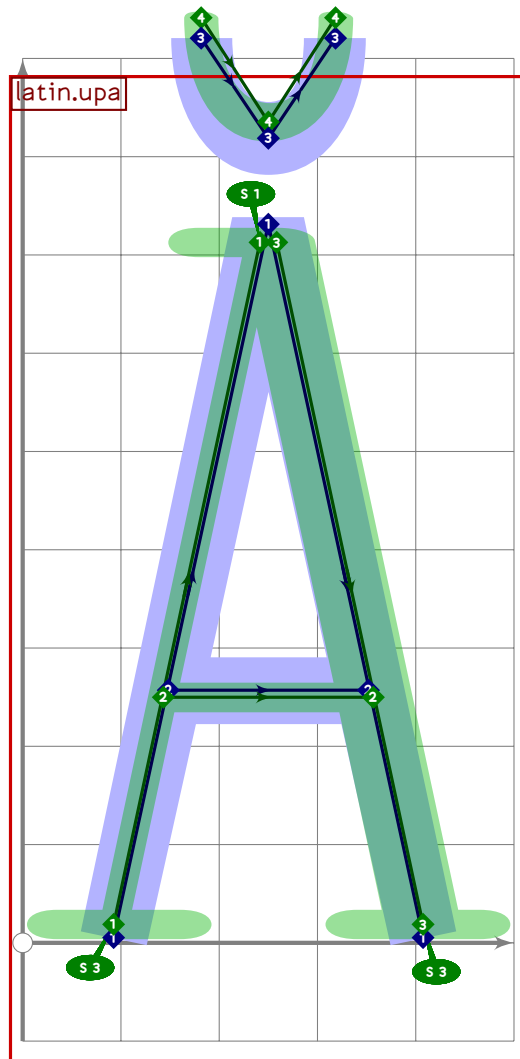
```



```

55 % a with macron
56 begint Suglyph("amacron",1);
57 tsu_accent.macron(tsu_curve.latin.lowā);
58 tsu_render;
59 endtsuglyph;
60

```

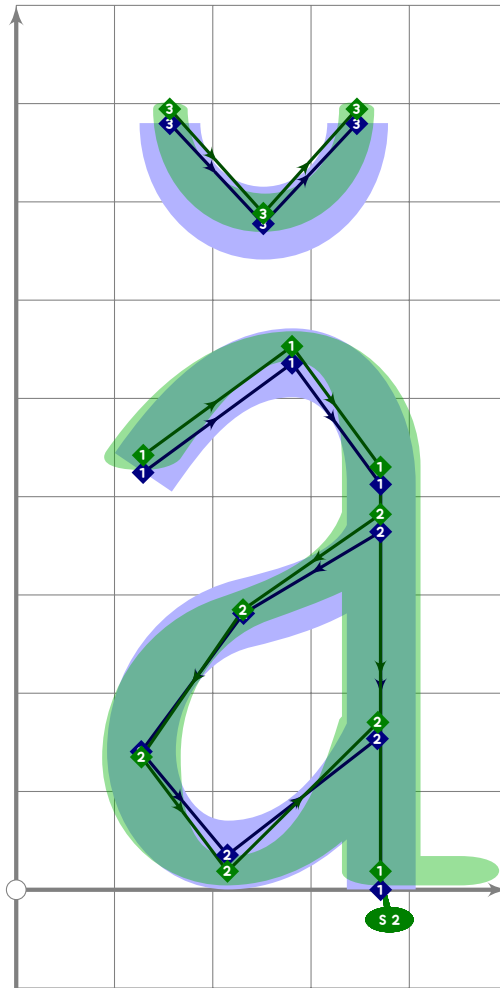


```

61 % A with breve
62 begintsuglyph("Abreve";2);
63 tsu_accent.capital(breve)(tsu_curve.latin.upa);
64 tsu_render;
65 endsuglyph;
66

```

latin.low



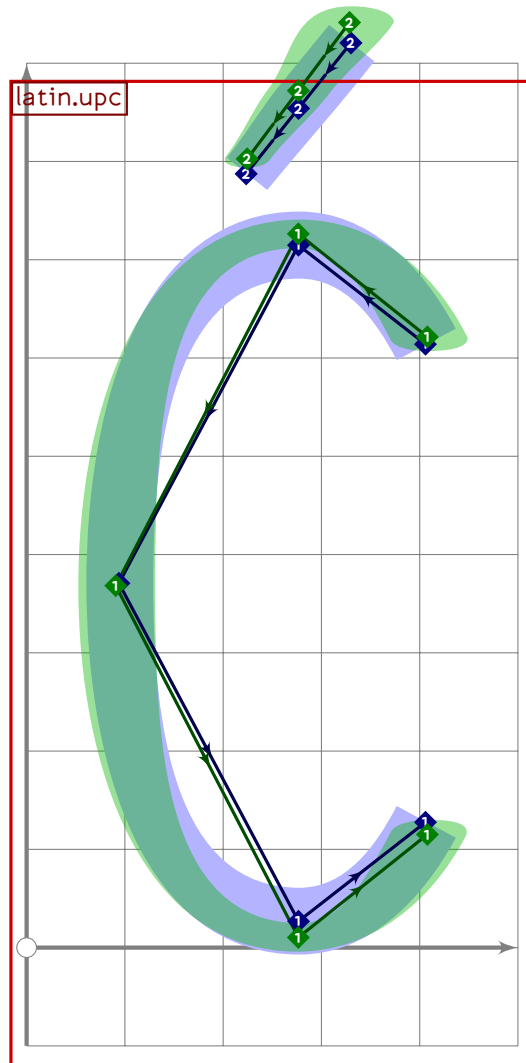
```
67 % a with breve
68 begintsuglyph("abreve",3);
69 tsu_accent.breve(tsu_curve.latin.low);
70 tsu_render;
71 endtsuglyph;
72
73 % A with ogonek
74 begintsuglyph("Aogonek",4);
75 tsu_curve.latin.upaogonek;
76 tsu_render;
77 endtsuglyph;
78
79 % a with ogonek
80 begintsuglyph("aogonek",5);
81 tsu_curve.latin.lowaogonek;
82 tsu_render;
```

[see page 236]

[see page 242]

83 endtsuglyph;

84



85 % C with acute

86 `begintsuglyph("Cacute",6);`

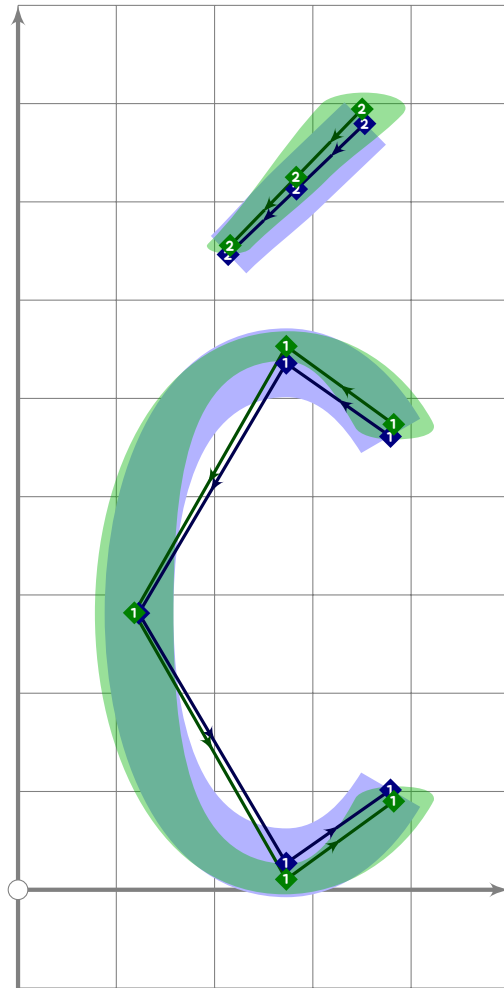
87 `tsu_accent.capital(acute)(tsu_curve.latin.upc);`

88 `tsu_render;`

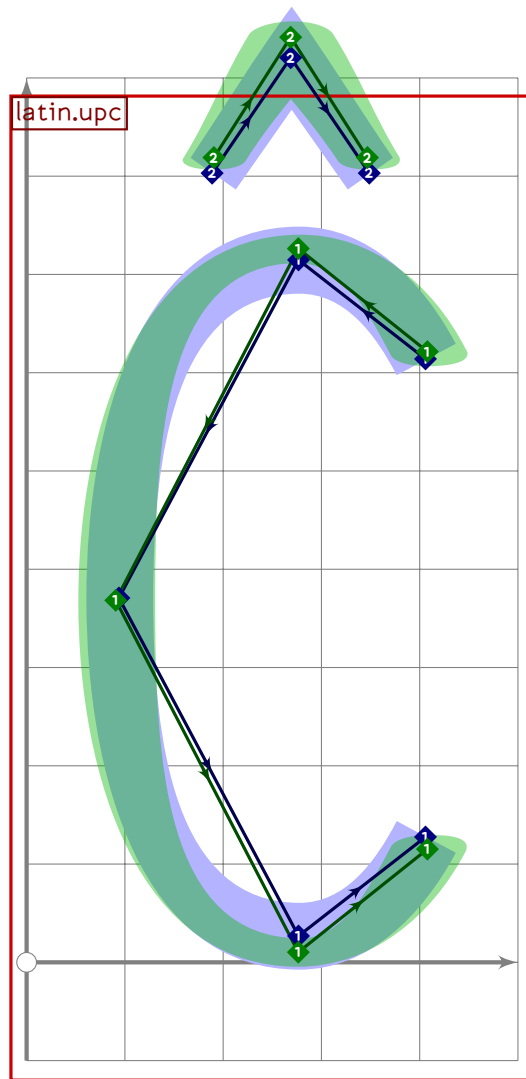
89 `endtsuglyph;`

90

latin.lowc



```
91 % c with acute
92 begint Suglyph("cacute";7);
93   tsu_accent.acute(tsu_curve.latin.lowc);
94   tsu_render;
95 endtsuglyph;
96
```

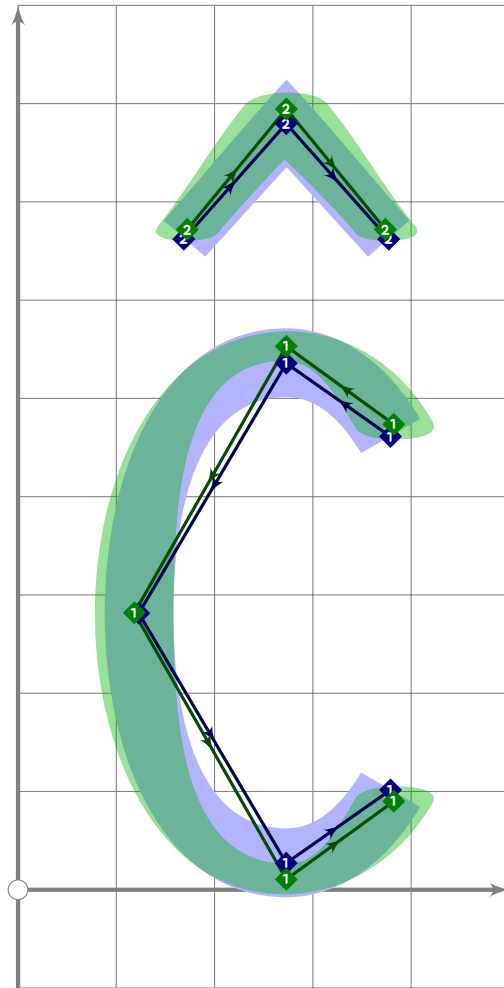



```

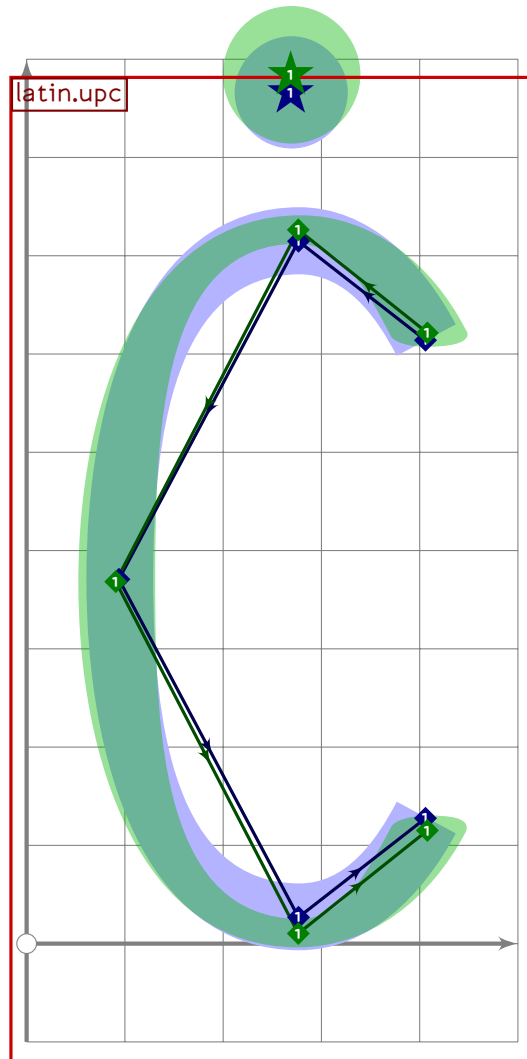
97 % C with circumflex
98 begintsuglyph("Ccircumflex";8);
99 tsu_accent.capital(circumflex)(tsu_curve.latin.upc);
100 bp[sp-1]:=bp[sp-1] shifted (35,0);
101 tsu_render;
102 endsuglyph;
103

```

latin.lowc



```
104 % c with circumflex
105 beginsuglyph("ccircumflex";9);
106 tsu_accent.circumflex(tsu_curve.latin.lowc);
107 bp[sp-1]:=bp[sp-1] shifted (35,0);
108 tsu_render;
109 endsuglyph;
110
```

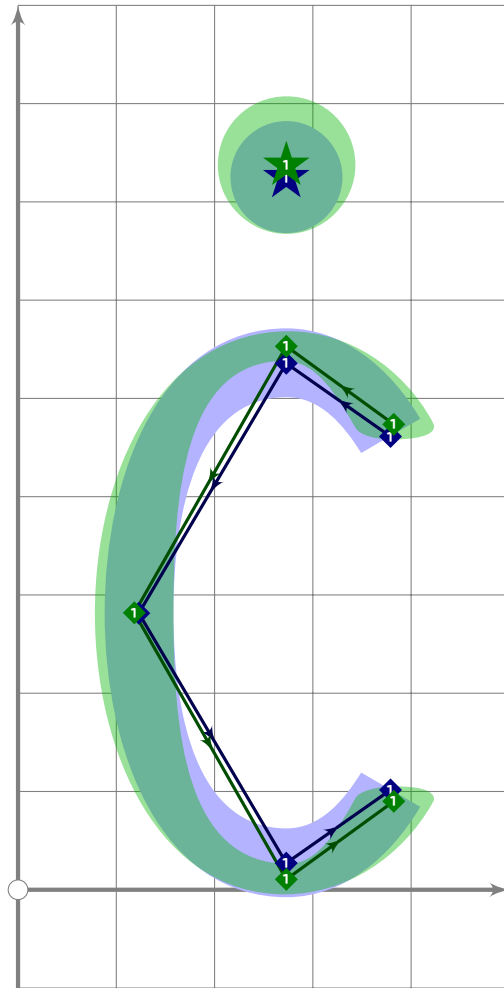


```

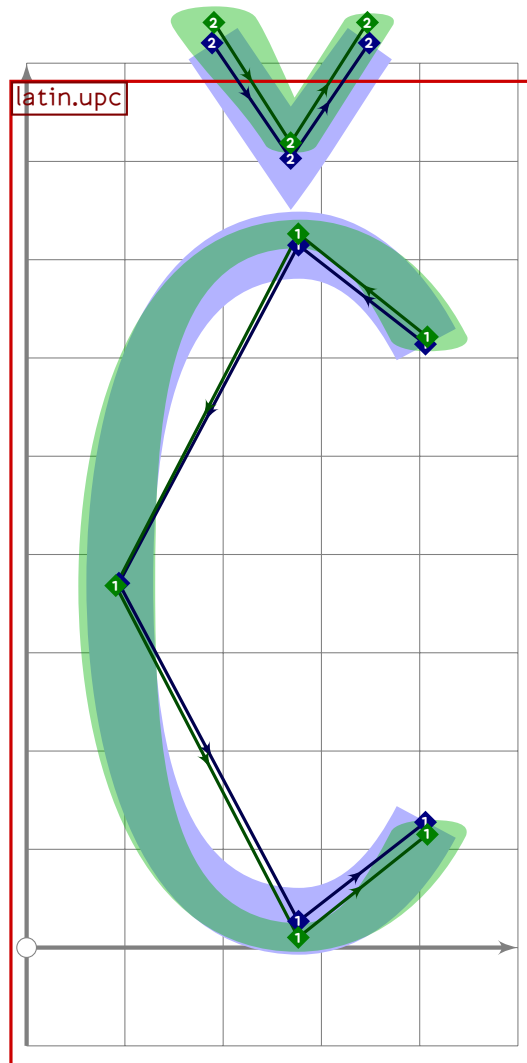
111 % C with dot above
112 begintsuglyph("Cdotaccent",10);
113   tsu_accent.capital(dotabove)(tsu_curve.latin.upc);
114   lcblob1:=lcblob1 shifted (35,0);
115   tsu_render;
116 endsuglyph;
117

```

latin.lowc



```
118 % c with dot above
119 begintsuglyph("c.daccent";11);
120 tsu_accent.dotabove(tsu_curve.latin.lowc);
121 lcblob1=lcblob1 shifted (35,0);
122 tsu_render;
123 endsuglyph;
124
```

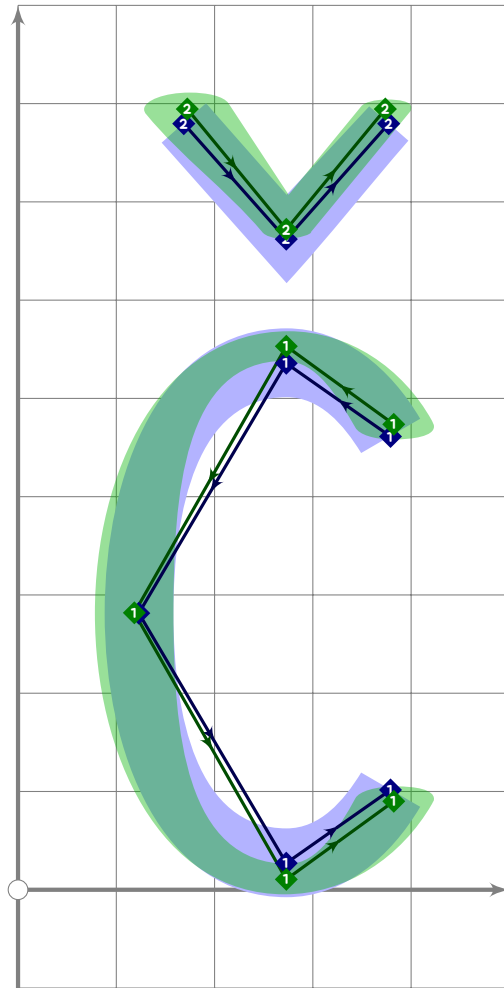


```

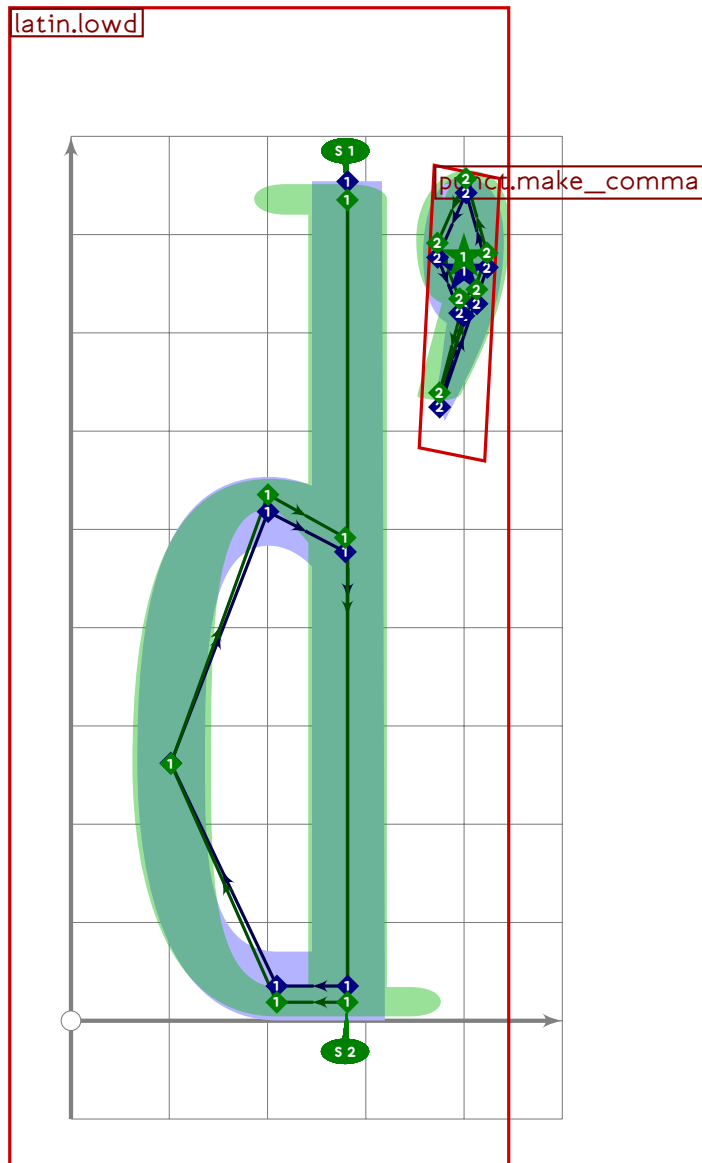
125 % C with caron
126 beginsuglyph("Ccaron";12);
127   tsu_accent.capital(caron)(tsu_curve.latin.upc);
128   bp[sp-1]:=bp[sp-1] shifted (35,0);
129   tsu_render;
130 endsuglyph;
131

```

latin.lowc



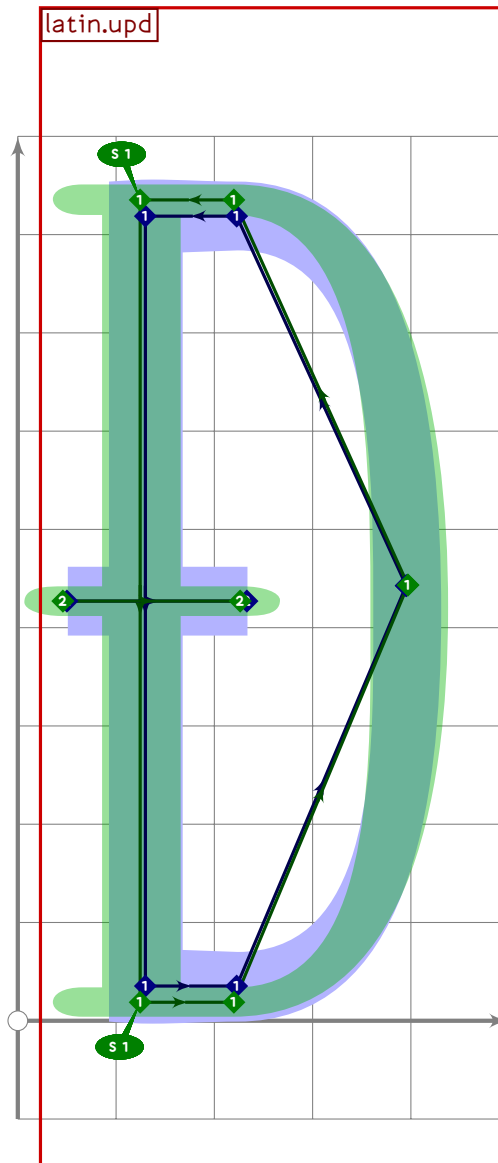
```
132 % c with caron
133 begint Suglyph("ccaron",13);
134 tsu_accent.caron(tsu_curve.latin.lowc);
135 bp[sp-1]:=bp[sp-1] shifted (35,0);
136 tsu_render;
137 endtsuglyph;
138
```

```

146 % d with caron apostrophe
147 begint Suglyph("dcaron",15);
148   tsu_accent.caron_apostrophe(0)(tsu_curve.latin.lowd);
149   tsu_render;
150 endsuglyph;
151

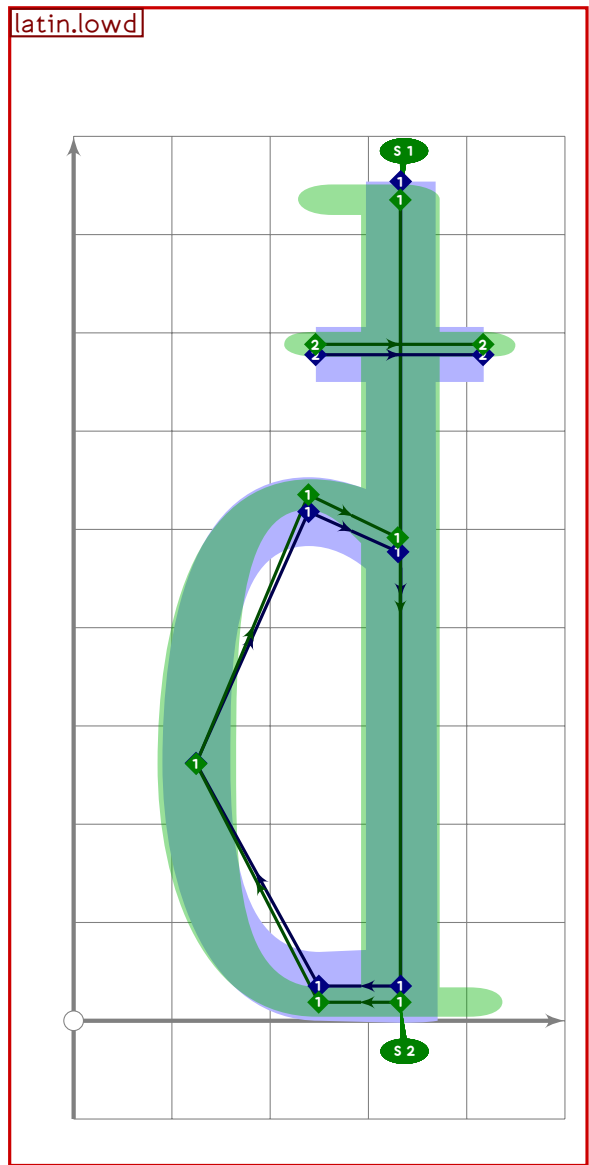
```

```

152 % D with stroke - same as capital Eth
153 begintsuglyph("Dcroat";16);
154 tsu_curve.latin.upeth;
155 tsu_render;
156 endtsuglyph;
157

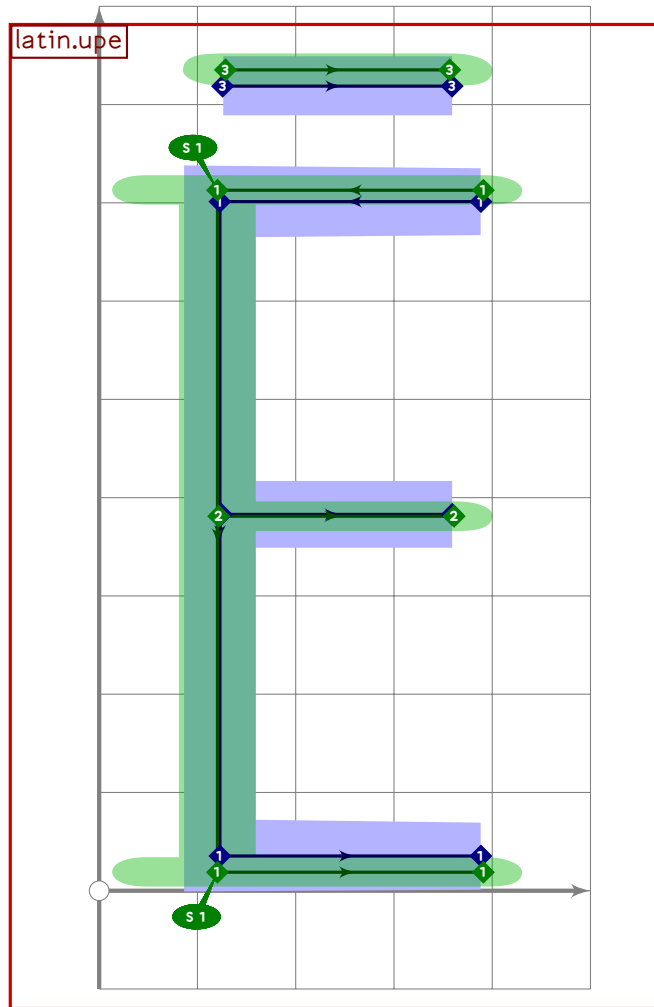
```



```

158 % d with bar
159 begintsuglyph("dcroat";17);
160 tsu_curve.latin.lowd;
161 bp[sp]:=(530,vmetric(0.82))-(820,vmetric(0.82));
162 bq[sp]:=(1.6,1.6)-(1.6,1.6);
163 bo_size[sp]:=80;
164 sp:=sp*1;
165 tsu_render;
166 endtsuglyph;
167

```

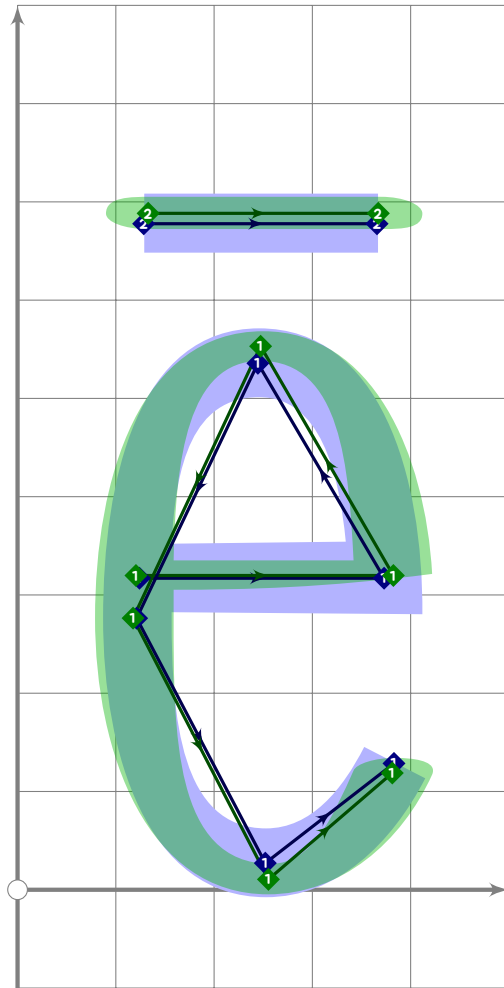


```

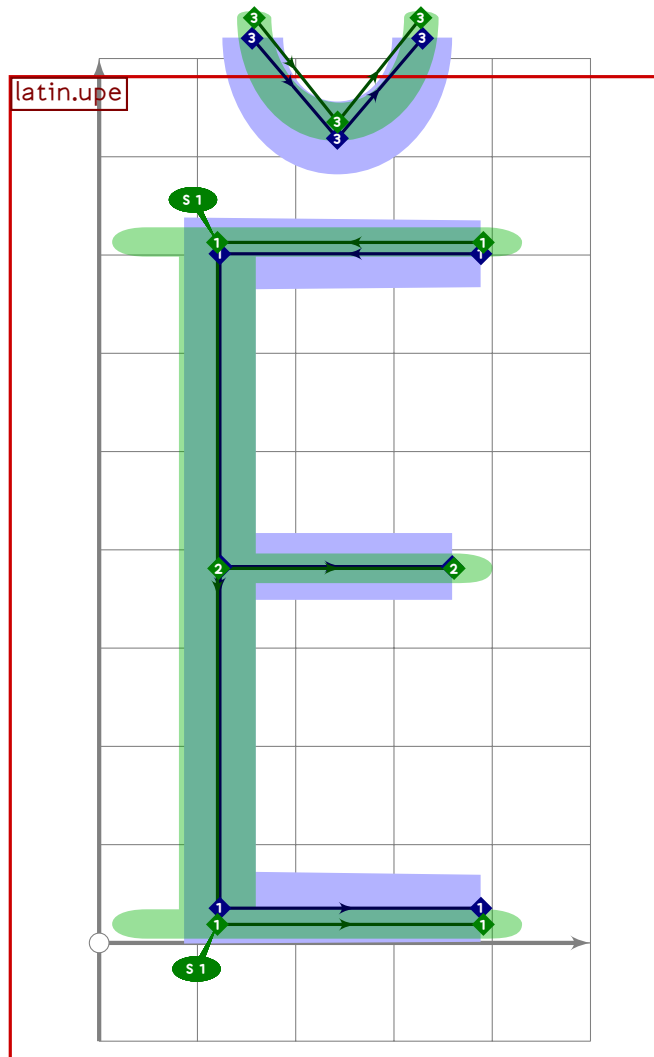
168 % E with macron
169 begintsuglyph("Emacron";18);
170 tsu_accent.capital(macron)(tsu_curve.latin.upe);
171 tsu_render;
172 endtsuglyph;
173

```

latin.lowe



```
174 % e with macron
175 begint Suglyph("emacron";19);
176 tsu_accent.macron(tsu_curve.latin.lowe);
177 tsu_render;
178 endtsuglyph;
179
```

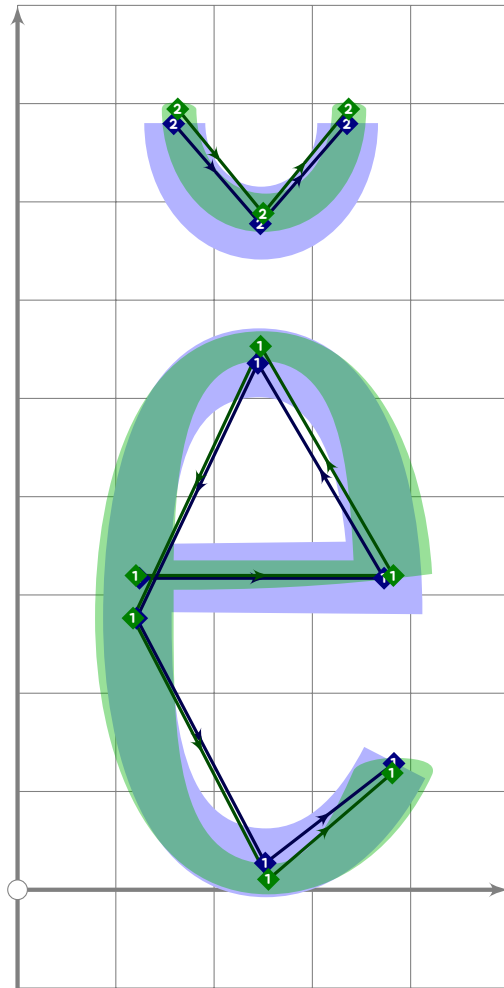


```

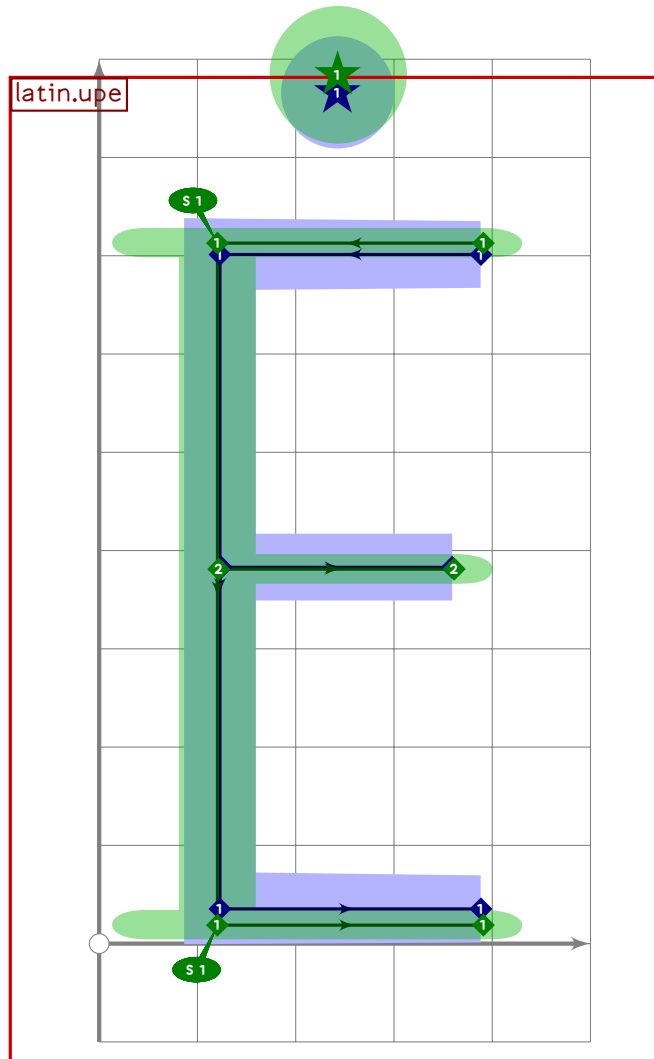
180 % E with breve
181 begintsuglyph("Ebreve";20);
182 tsu_accent.capital(breve)(tsu_curve.latin.upe);
183 tsu_render;
184 endsuglyph;
185

```

latin.lower



```
186 % e with breve
187 begint Suglyph("ebreve",21);
188   tsu_accent.breve(tsu_curve,latin.lower);
189   tsu_render;
190 endtsuglyph;
191
```

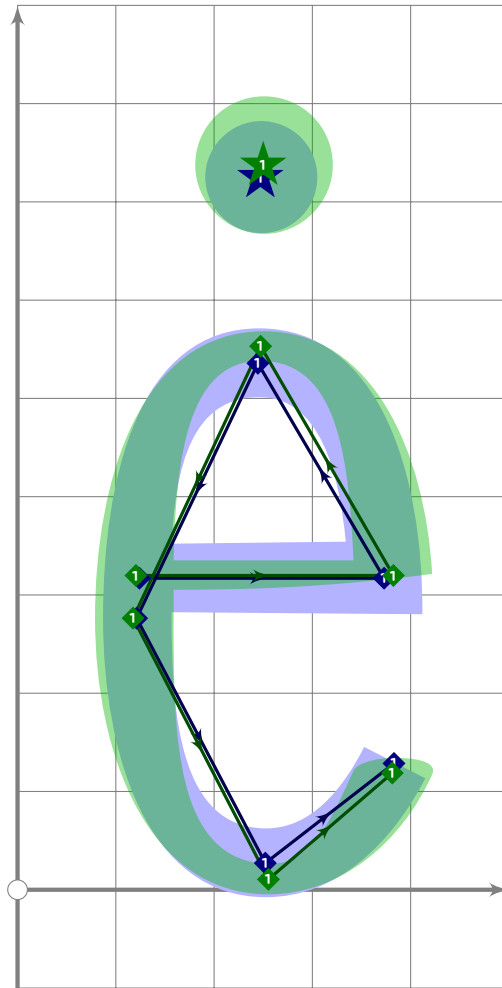


```

192 % E with dot
193 beginsuglyph("Edotaccent";22);
194   tsu_accent.capital(dotabove)(tsu_curve.latin.upe);
195   tsu_render;
196 endsuglyph;
197

```

latin.lowe



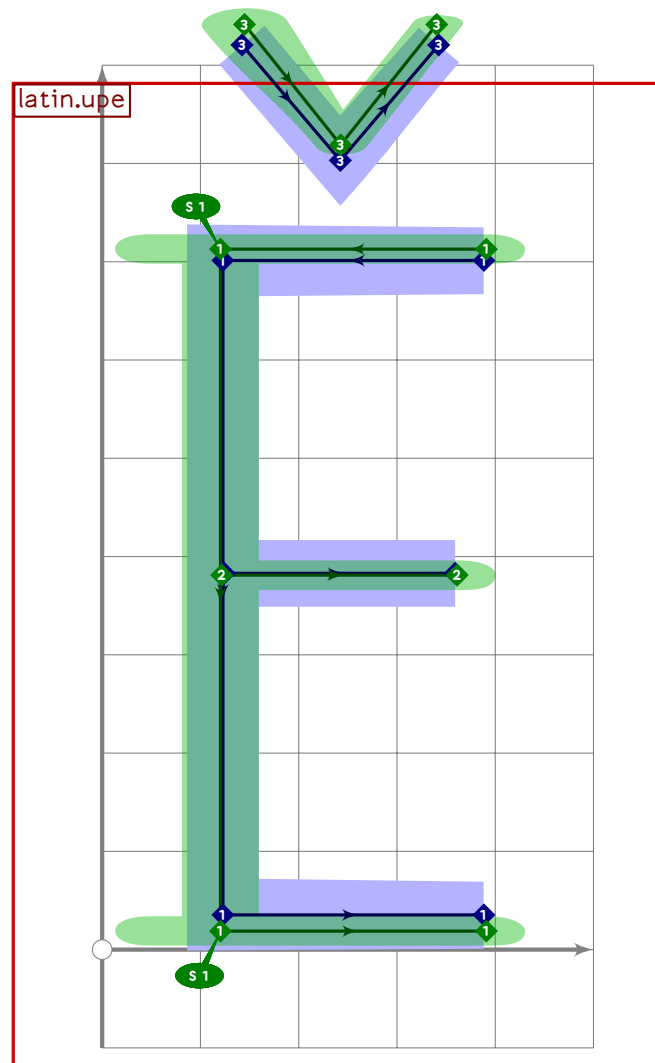
```
198 % e with dot
199 begintsuglyph("edotaccent",23);
200 tsu_accent.dotabove(tsu_curve.latin.lowe);
201 tsu_render;
202 endtsuglyph;
203
204 % E with ogonek
205 begintsuglyph("Eogonek",24);
206 tsu_curve.latin.upeogonek;
207 tsu_render;
208 endtsuglyph;
209
210 % e with ogonek
211 begintsuglyph("eogonek",25);
212 tsu_curve.latin.loweogonek;
213 tsu_render;
```

[see page 238]

[see page 243]

214 endtsuglyph;

215



216 % E with caron

217 `begintsuglyph("Ecaron";26);`

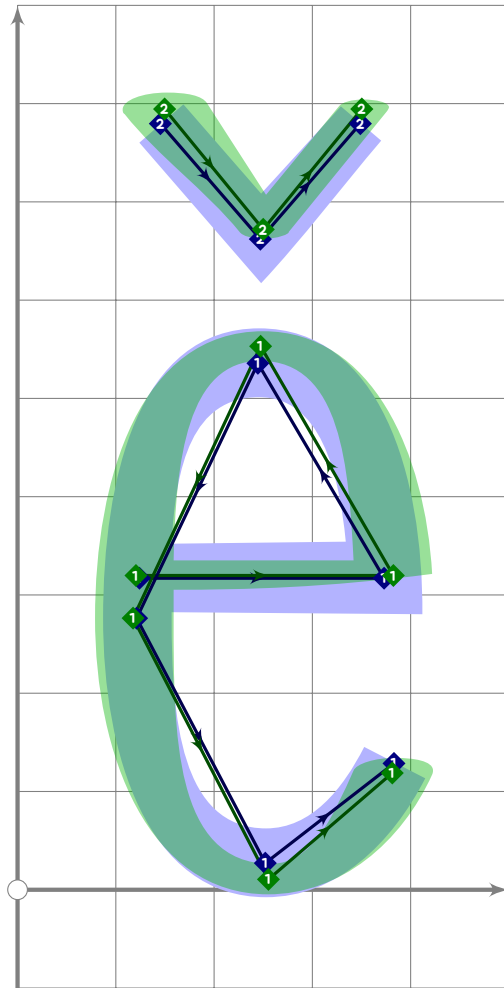
218 `tsu_accent.capital(caron)(tsu_curve.latin.upe);`

219 `tsu_render;`

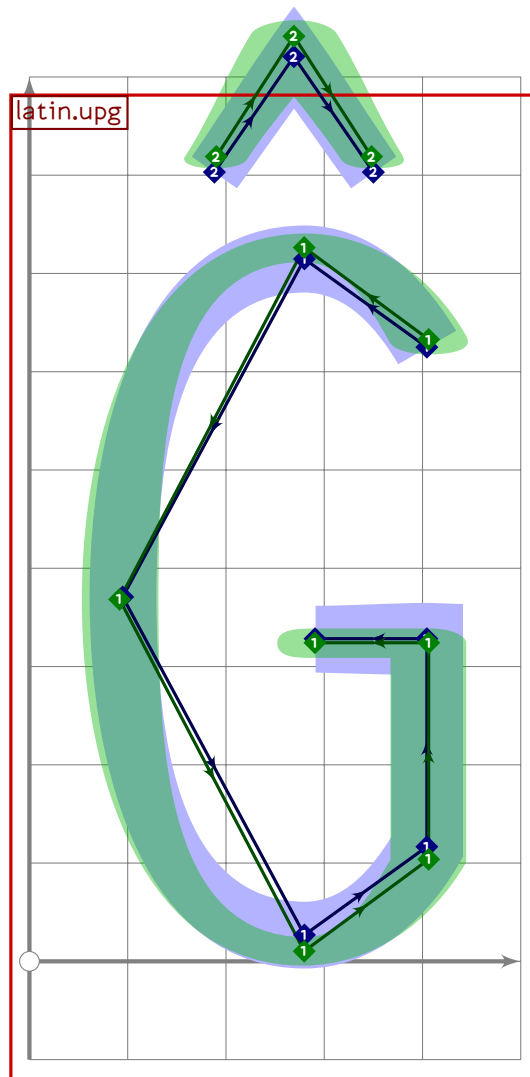
220 `endtsuglyph;`

221

latin.lower



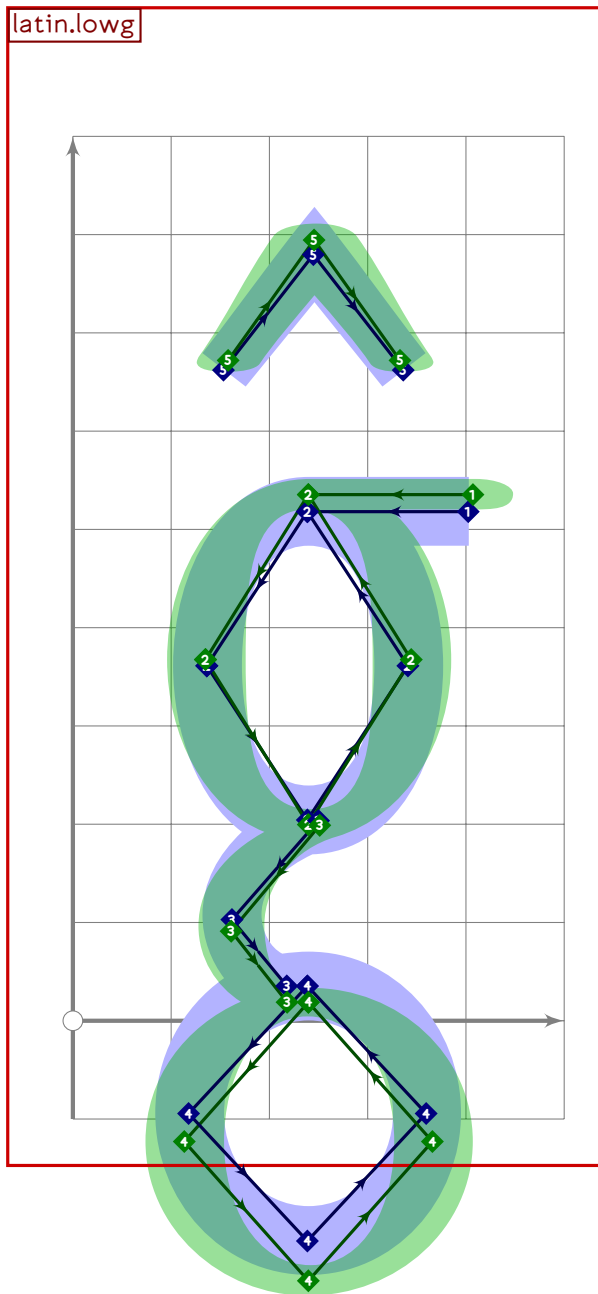
```
222 % e with caron
223 begint Suglyph("ecaron",27);
224   tsu_accent.caron(tsu_curve.latin.lower);
225   tsu_render;
226 endtsuglyph;
227
```



```

228 % G with circumflex
229 begintsuglyph("Gcircumflex";28);
230 tsu_accent.capital(circumflex)(tsu_curve.latin.upg);
231 bp[sp-1]:=bp[sp-1] shifted (35,0);
232 tsu_render;
233 endtsuglyph;
234

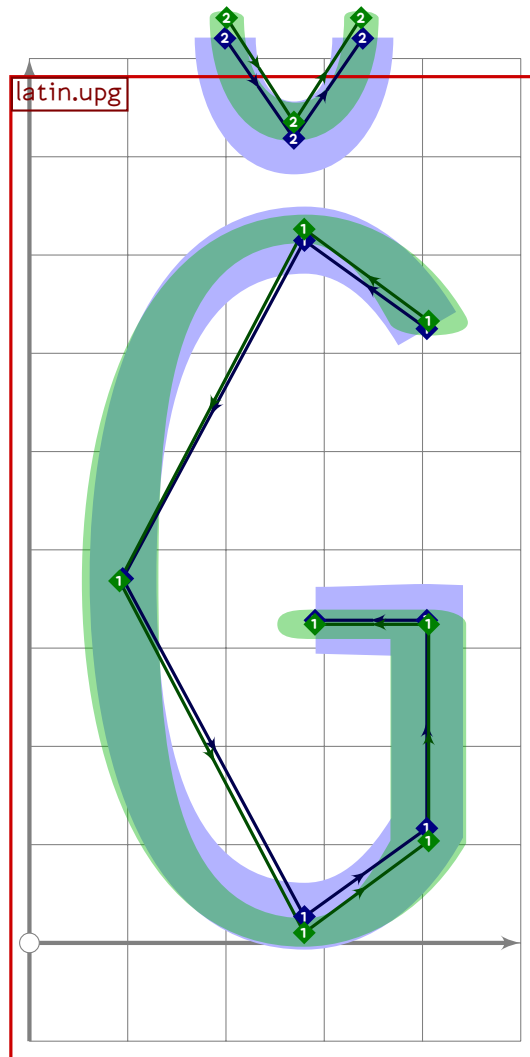
```



```

235 % g with circumflex
236 begintsuglyph("gcircumflex",29);
237 tsu_accent.circumflex(tsu_curve.latin.low);
238 bp[sp-1]:=bp[sp-1] shifted (10,0);
239 tsu_render;
240 endtsuglyph;
241

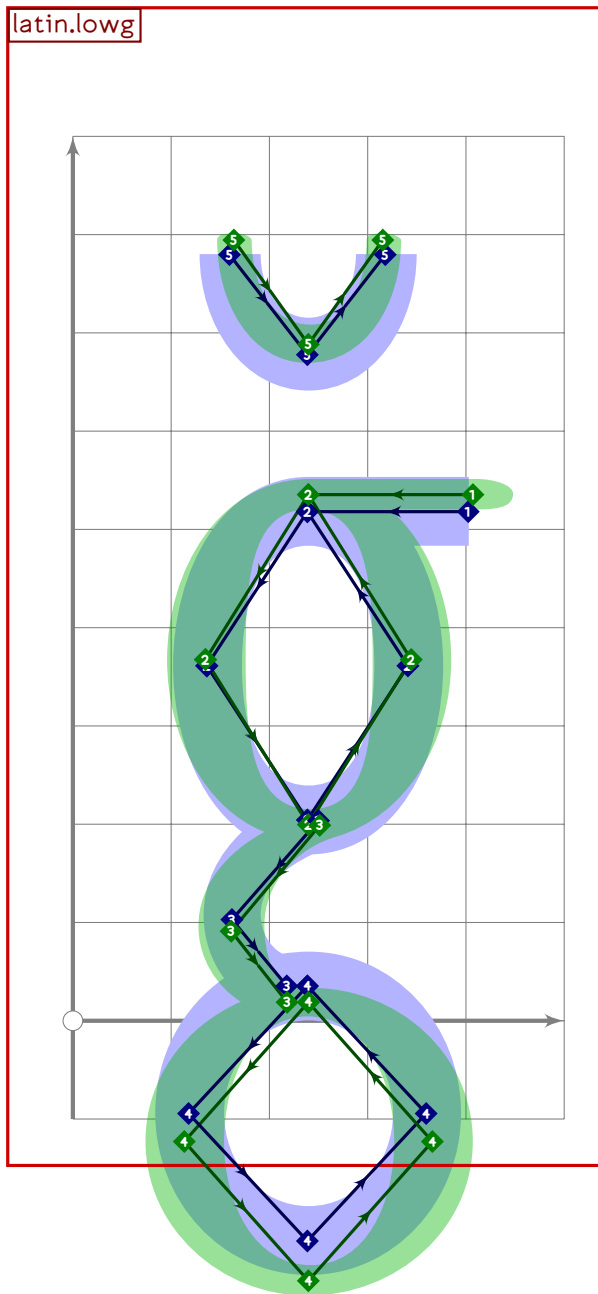
```



```

242 % G with breve
243 begintsuglyph("Gbreve";30);
244 tsu_accent.capital(breve)(tsu_curve.latin.upg);
245 bp[sp-1]:=bp[sp-1] shifted (35,0);
246 tsu_render;
247 endtsuglyph;
248

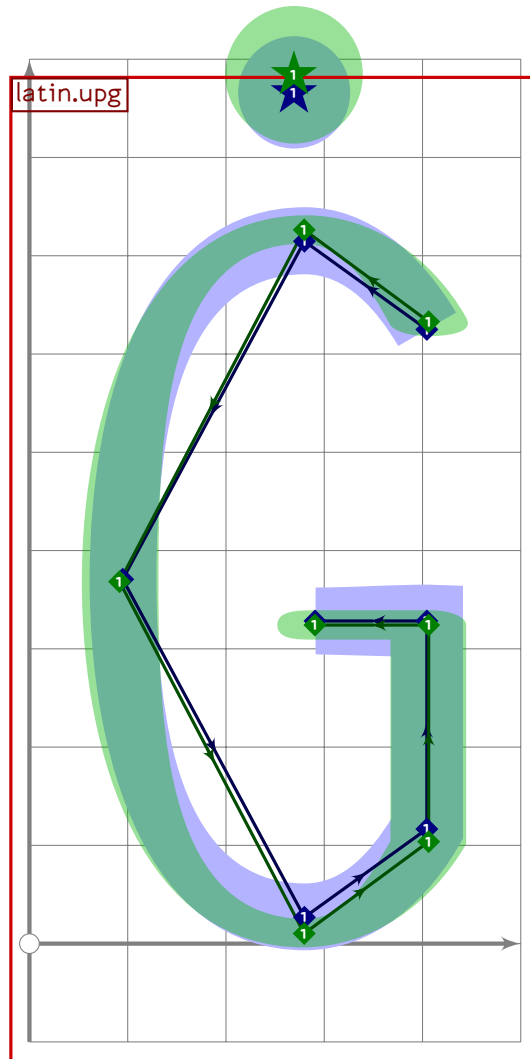
```



```

249 % g with breve
250 begintsuglyph("gbreve",31);
251 tsu_accent.breve(tsu_curve.latin.lowg);
252 tsu_render;
253 endsuglyph;
254

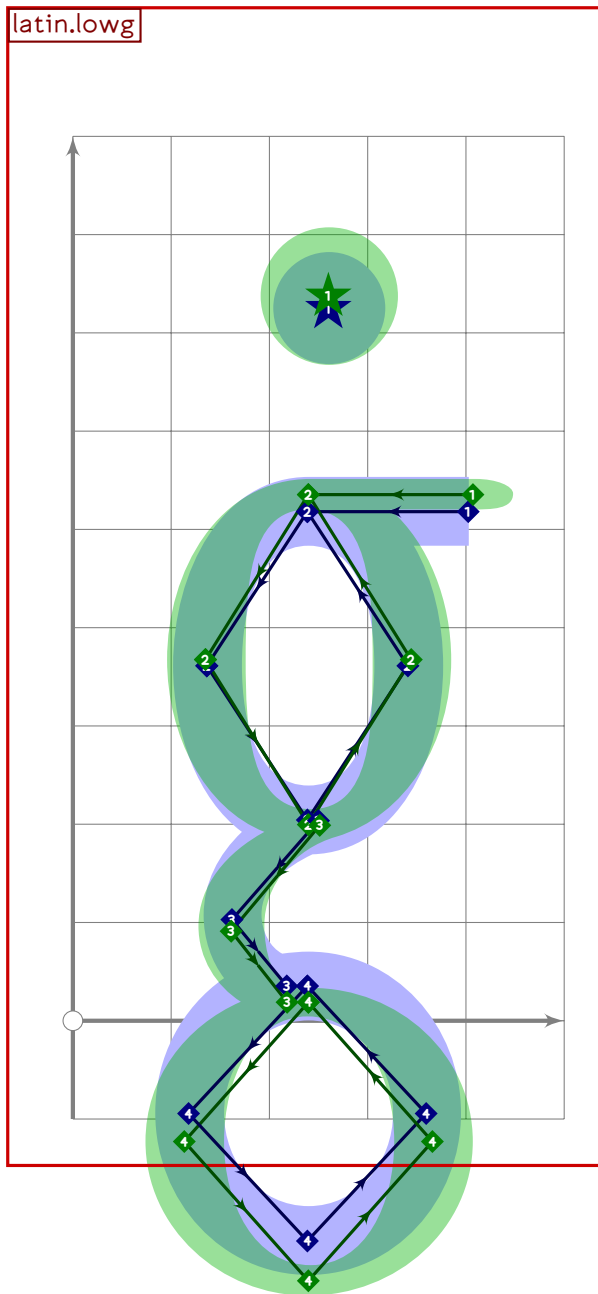
```



```

255 % G with dot
256 begint Suglyph("Gdotaccent",32);
257   tsu_accent.capital(dotabove)(tsu_curve.latin.upg);
258   lcblob1:=lcblob1 shifted (35,0);
259   tsu_render;
260 endsuglyph;
261

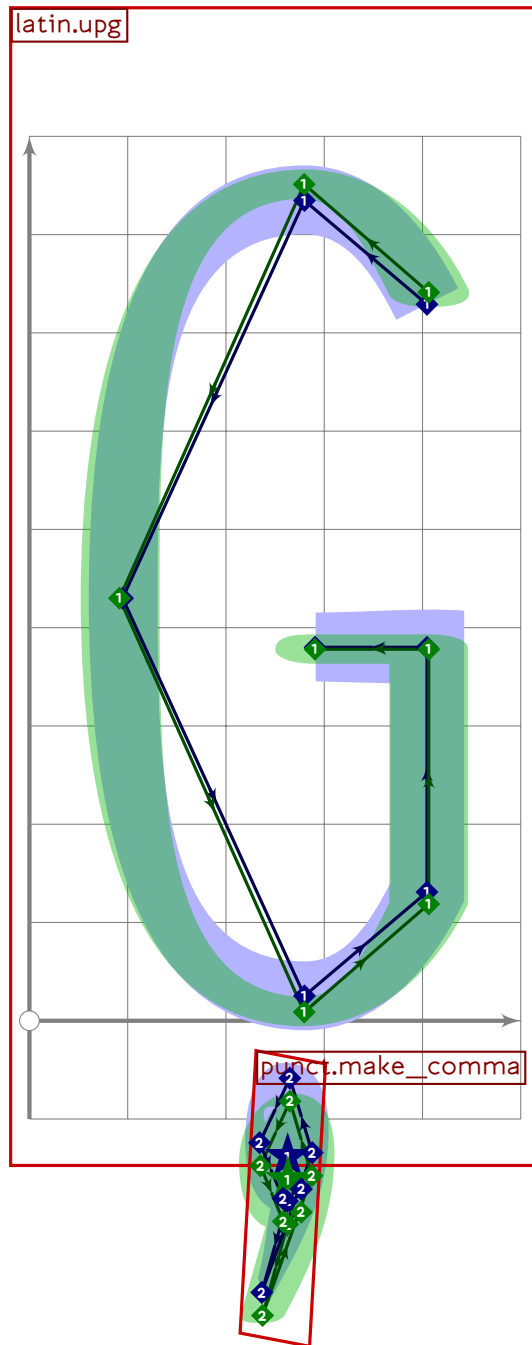
```



```

262 % g with dot
263 begintsuglyph("gdotaccent",33);
264 tsu_accent.dotabove(tsu_curve.latin.lowg);
265 lcblob1:=lcblob1 shifted (35,0);
266 tsu_render;
267 endtsuglyph;
268

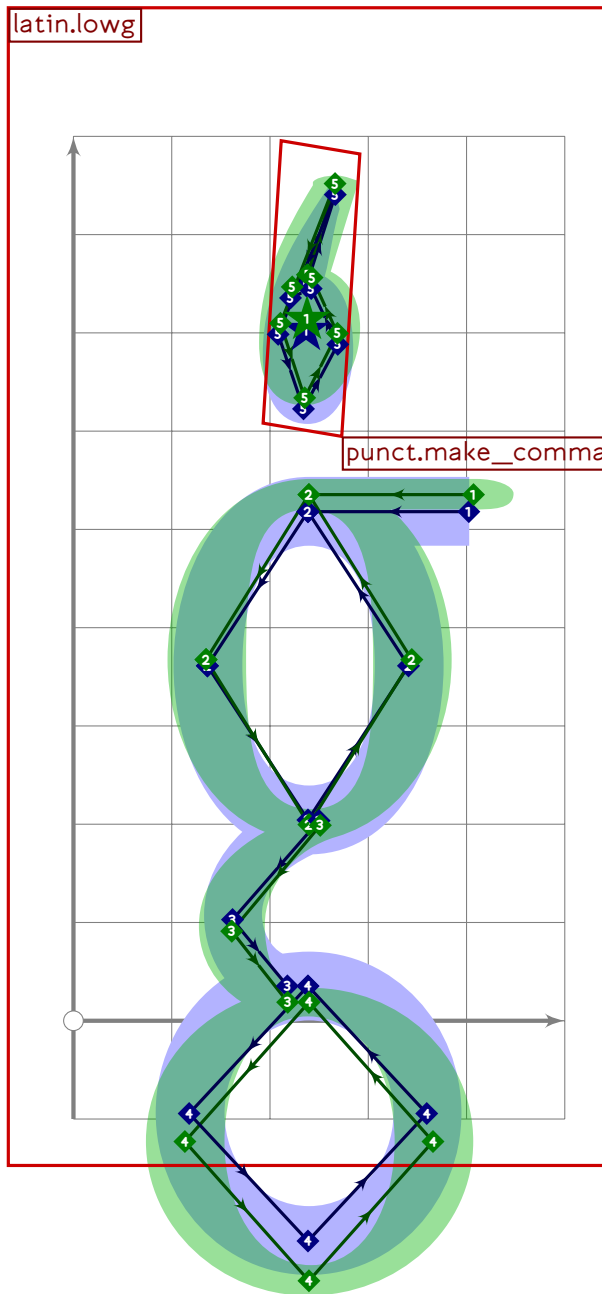
```

```

269 % G with comma below
270 begintsuglyph("uni0122";34);
271 tsu_accent.commabelow(tsu_curve.latin.upg);
272 tsu_render;
273 endtsuglyph;
274

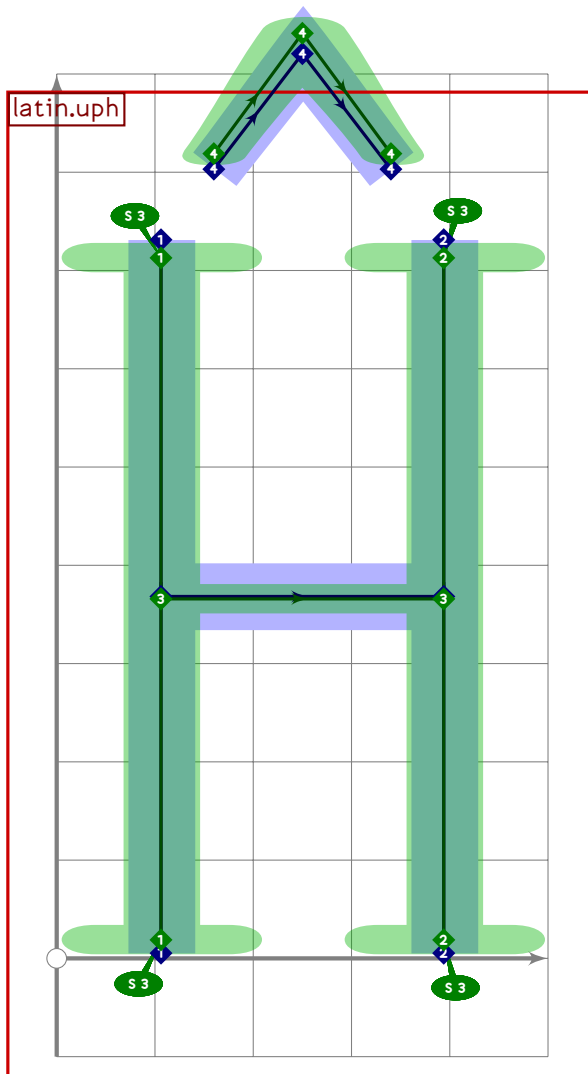
```



```

275 % g with comma upside-down above
276 begintsuglyph("uni0123",35);
277 tsu_curve.latin.lowg;
278 tsu_curve.punct.make_comma((500,vmetric(0.84)),180);
279 tsu_render;
280 endtsuglyph;
281

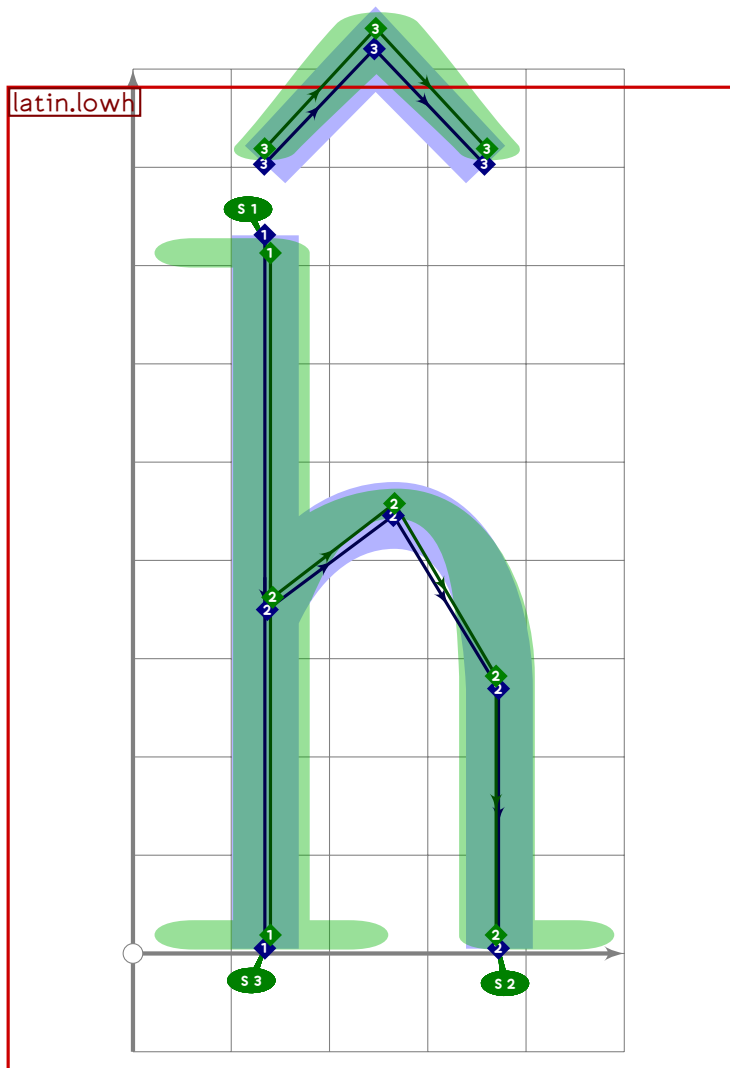
```



```

282 % H with circumflex
283 begintsuglyph("Hcircumflex";36);
284 tsu_accent.capital(circumflex)(tsu_curve.latin.uph);
285 tsu_render;
286 endtsuglyph;
287

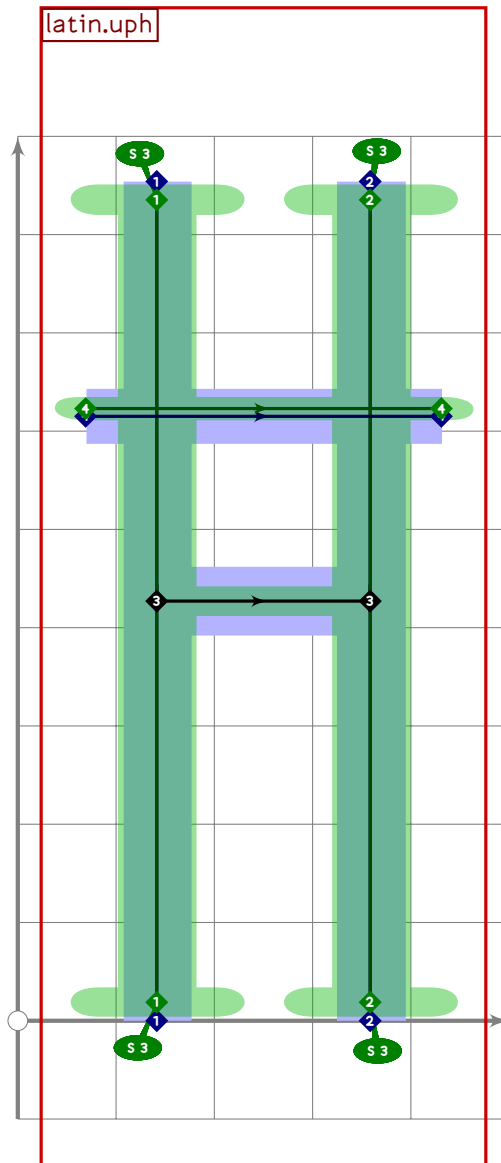
```



```

288 % h with circumflex
289 begintsuglyph("hcircumflex",37);
290 tsu_accent.capital(circumflex)(tsu_curve.latin.lowh);
291 tsu_render;
292 endtsuglyph;
293

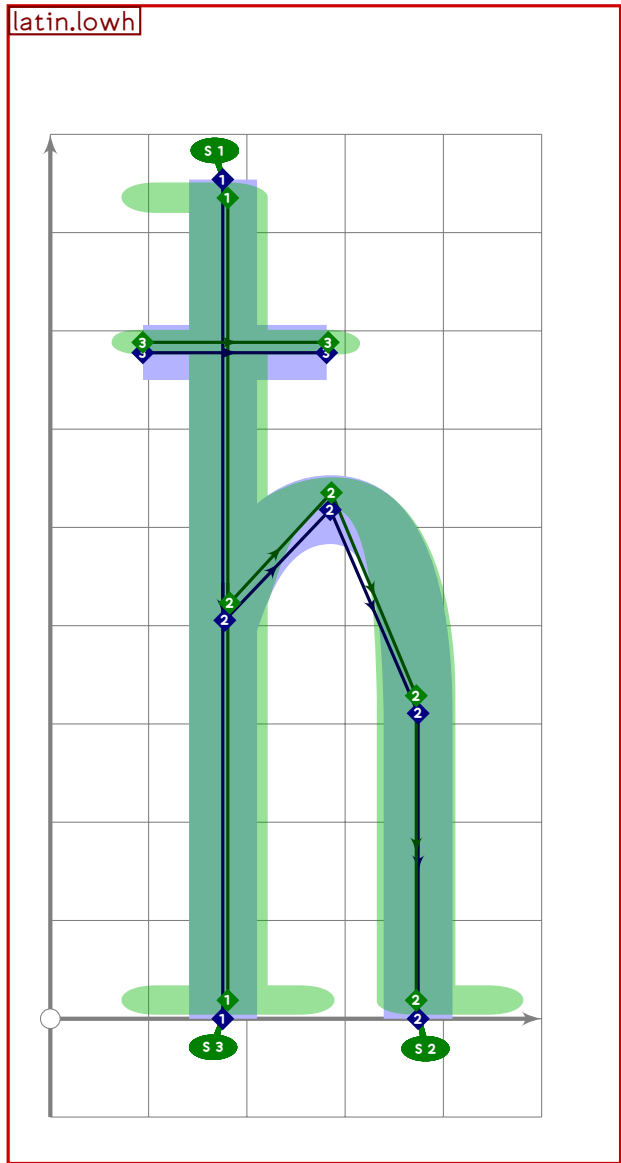
```



```

294 % H with bar
295 begintsuglyph("Hbar",38);
296 tsu_curve.latin.uph;
297 bp[sp]:=(100,vmetric(0.74))-(900,vmetric(0.74));
298 bq[sp]:=(1.6,1.6)-(1.6,1.6);
299 bo_size[sp]:=80;
300 sp:=sp*1;
301 tsu_render;
302 endtsuglyph;
303

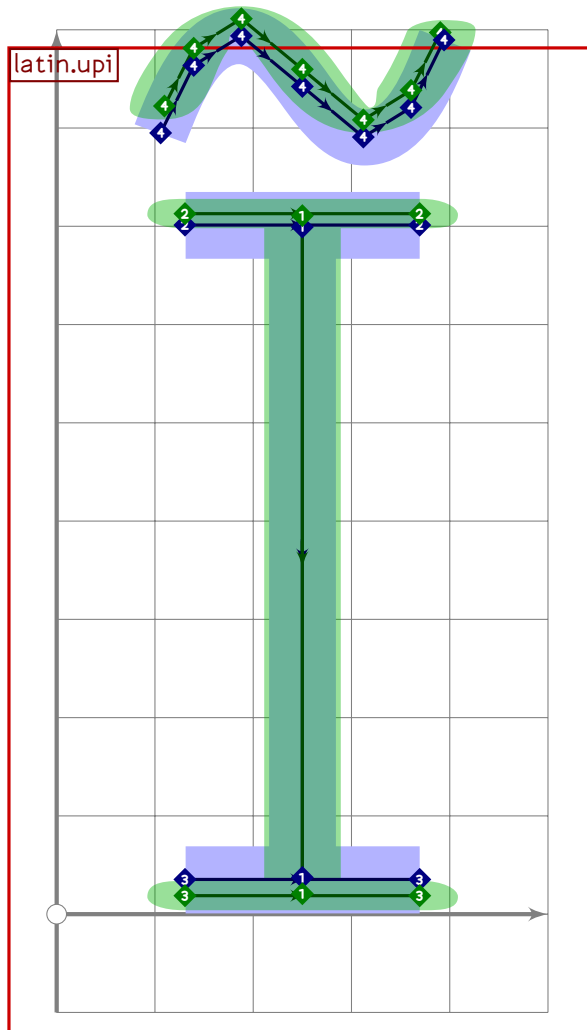
```



```

304 % h with bar
305 begintsuglyph("hbar",39);
306 tsu_curve.latin.lowh;
307 bp[sp]:=(220,vmetric(0.82))-(520,vmetric(0.82));
308 bq[sp]:=(1.6,1.6)-(1.6,1.6);
309 bo_size[sp]:=80;
310 sp:=sp*1;
311 tsu_render;
312 endtsuglyph;
313

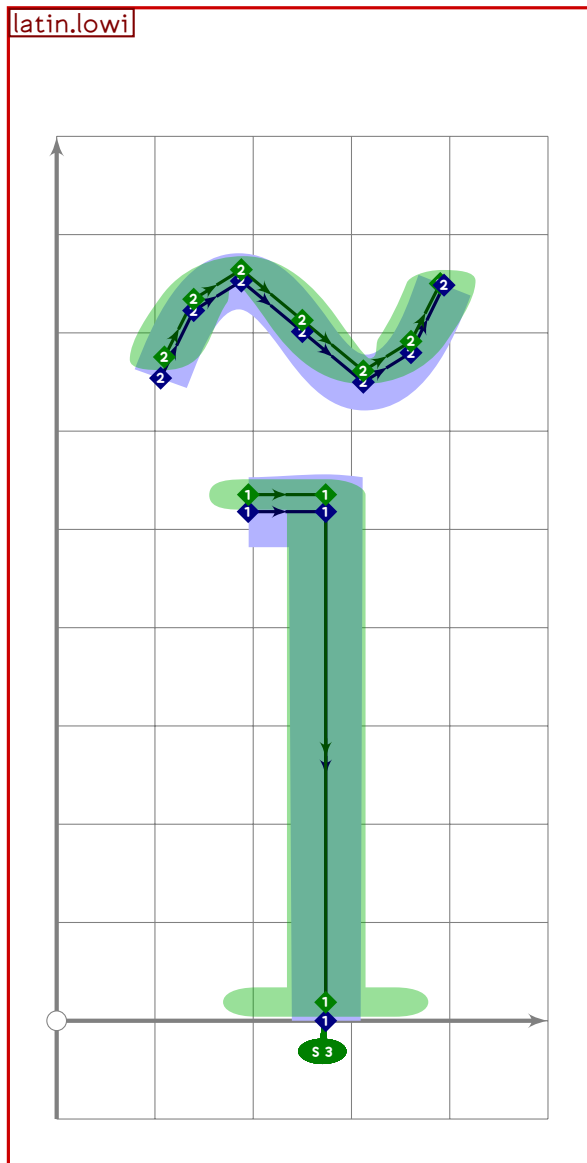
```



```

314 % I with tilde
315 begintsuglyph("Itilde",40);
316   tsu_accent.capital(tilde)(tsu_curve.latin.upi);
317   tsu_render;
318 endsuglyph;
319

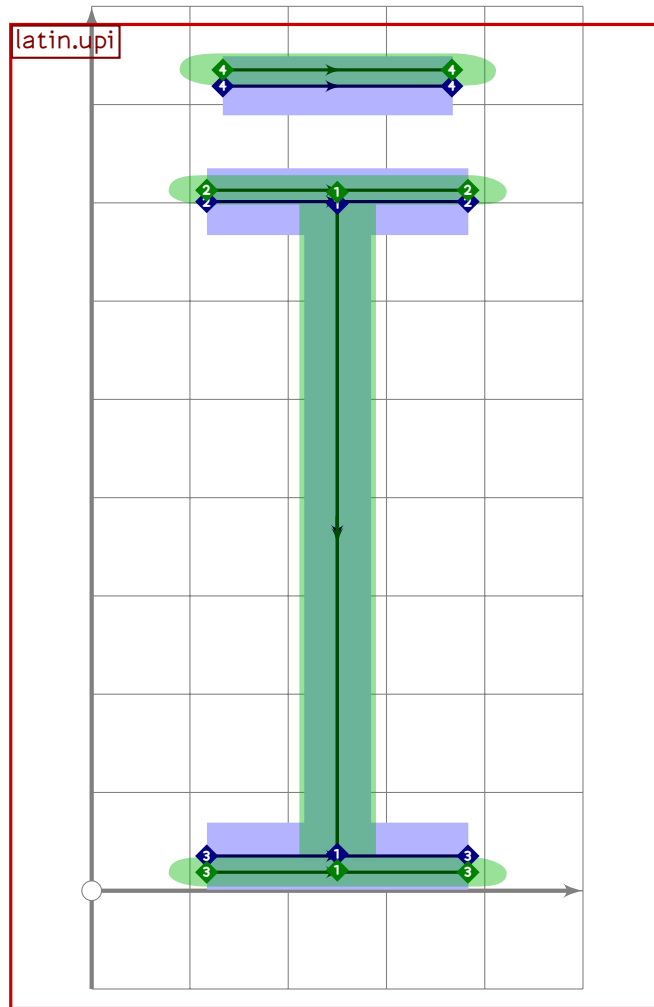
```



```

320 % i with tilde
321 begint Suglyph("itilde";41);
322   tsu_accent.tilde(
323     tsu_curve.latin.lowi;
324     bpl:=bpl shifted (70*right);
325     path lcblob[]
326   );
327   tsu_render;
328   endtsuglyph;
329

```

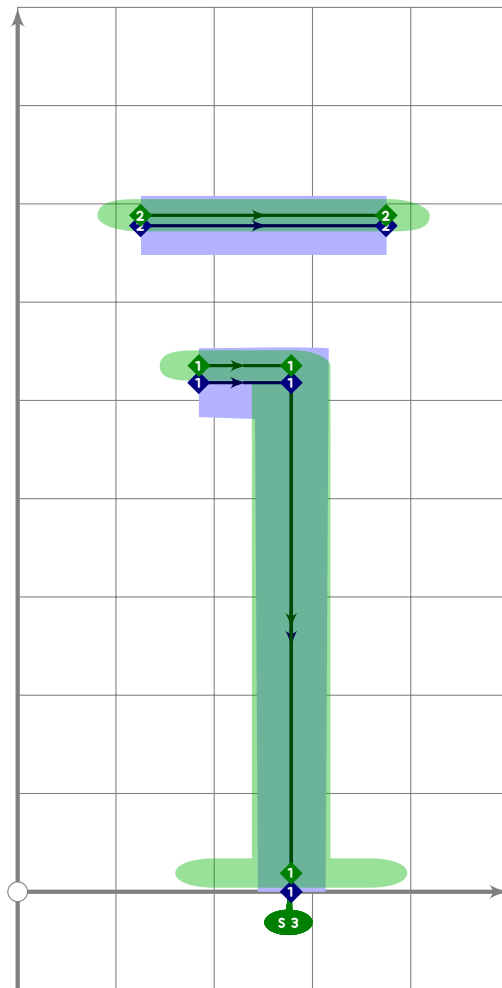



```

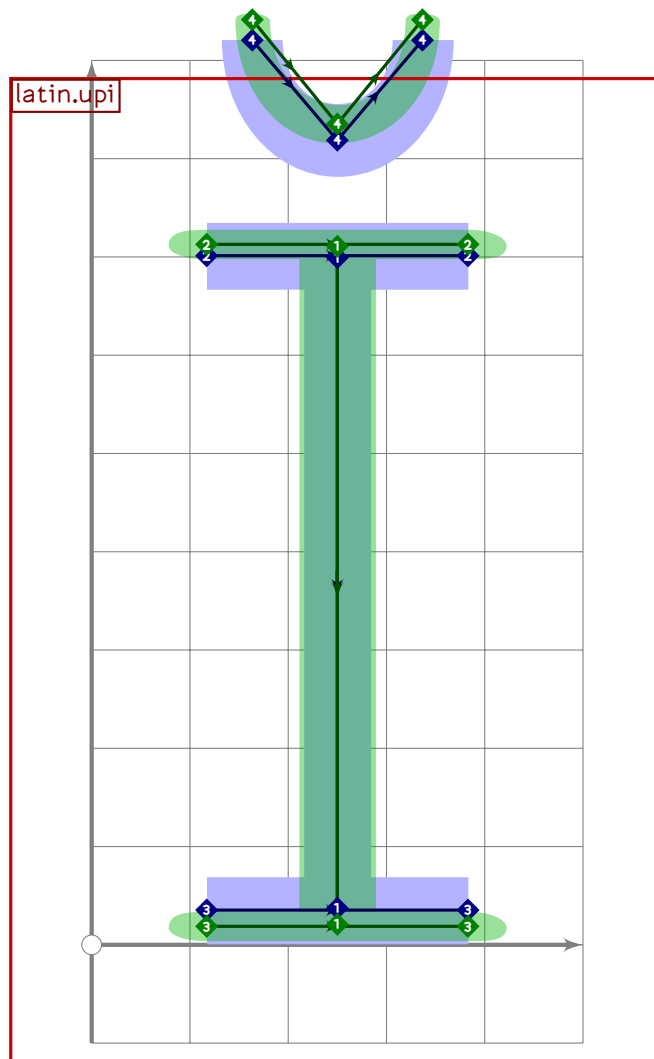
330 % I with macron
331 begint Suglyph("Imacron";42);
332   tsu_accent.capital(macron)(tsu_curve.latin.upi);
333   tsu_render;
334   endtsuglyph;
335

```

latin.lowi



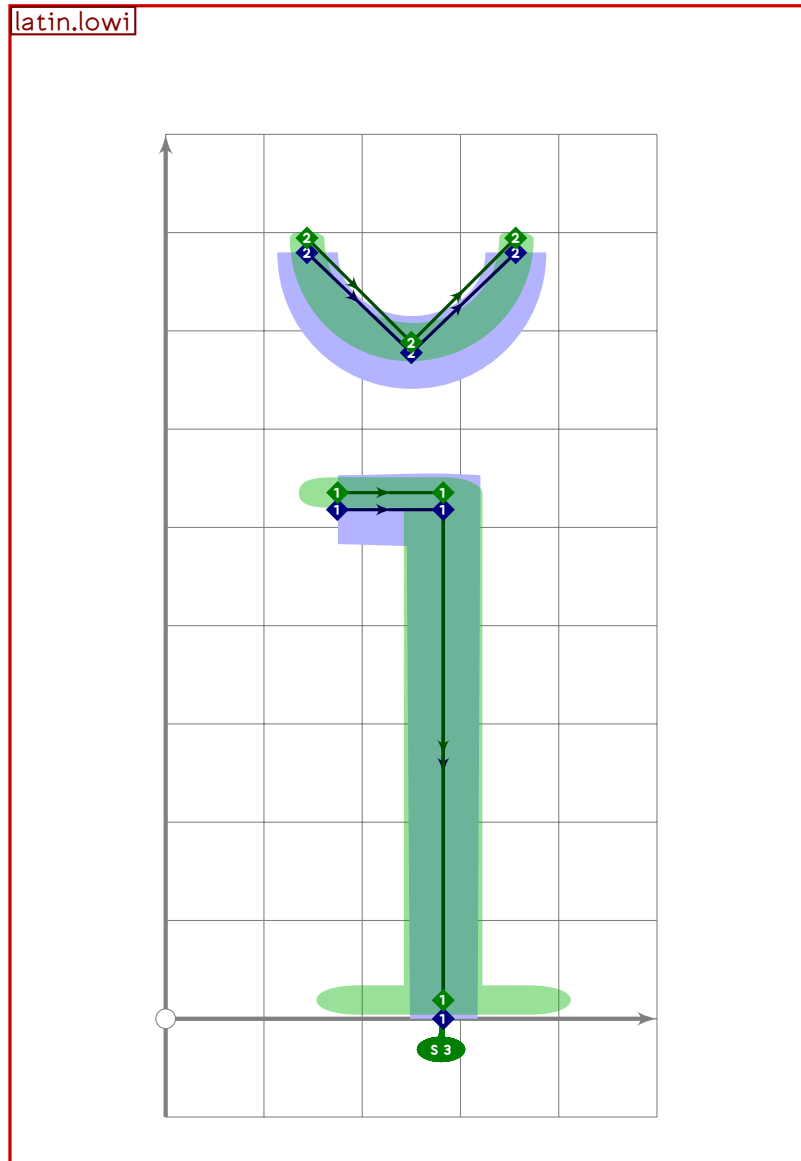
```
336 % i with macron
337 begint Suglyph("imacron";43);
338   tsu_accent.macron(
339     tsu_curve.latin.lowi;
340     bpl:=bpl shifted (70*right);
341     path lcblob[]
342   );
343   tsu_render;
344   endtsuglyph;
345
```



```

346 % I with breve
347 begintsuglyph("Ibreve",44);
348 tsu_accent.capital(breve)(tsu_curve.latin.upi);
349 tsu_render;
350 endsuglyph;
351

```



```

352 % i with breve
353 begint Suglyph("ibreve",45);
354   tsu_accent.breve(
355     tsu_curve.latin.lowi;
356     bpl:=bpl shifted (70*right);
357     path lcblob[]
358   );
359   tsu_render;
360 endtsuglyph;
361
362 % I with ogonek
363 begint Suglyph("Iogonek",46);
364   tsu_curve.latin.upiogonek;
365   tsu_render;
366 endtsuglyph;
367

```

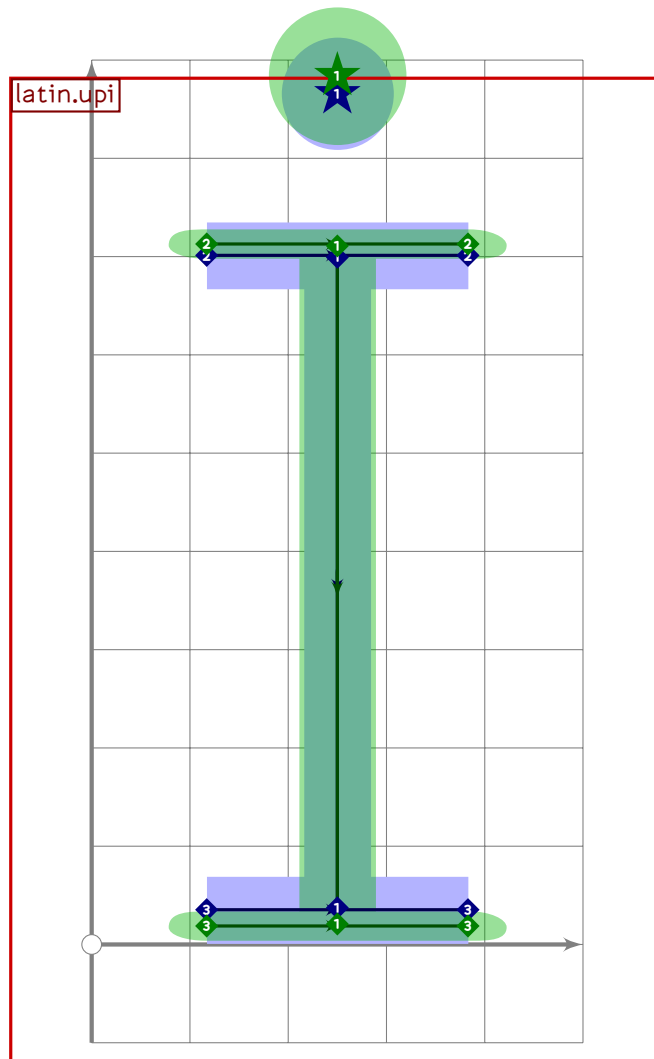
[see page 239]

```

368 % i with ogonek
369 begintsuglyph("iogonek",47);
370 tsu_curve.latin.lowiogonek;
371 tsu_render;
372 endsuglyph;
373

```

[see page 245]

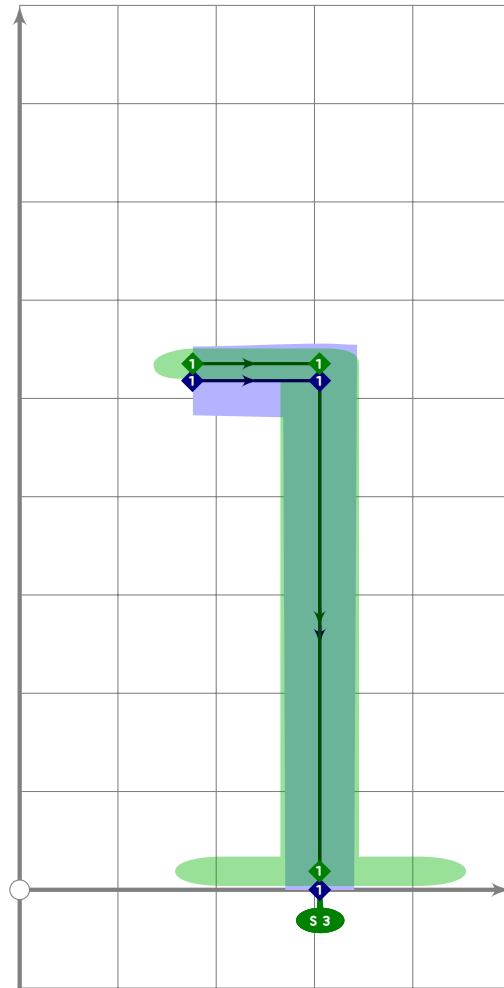


```

374 % I with dot
375 begintsuglyph("Idotaccent",48);
376 tsu_accent.capital(dotabove)(tsu_curve.latin.upi);
377 tsu_render;
378 endsuglyph;
379

```

latin.lowi



```
380 % i without dot
381 begintsuglyph("dotlessi";49);
382 tsu_curve.latin.lowi;
383 bp1:=bp1 shifted (70*right);
384 path lcblob[];
385 tsu_render;
386 endtsuglyph;
387
388 % Dutch IJ ligature
389 begintsuglyph("IJ";50);
390 tsu_curve.latin.upij;
391 tsu_render;
392 endtsuglyph;
393
394 % Dutch ij ligature
395 begintsuglyph("ij";51);
```

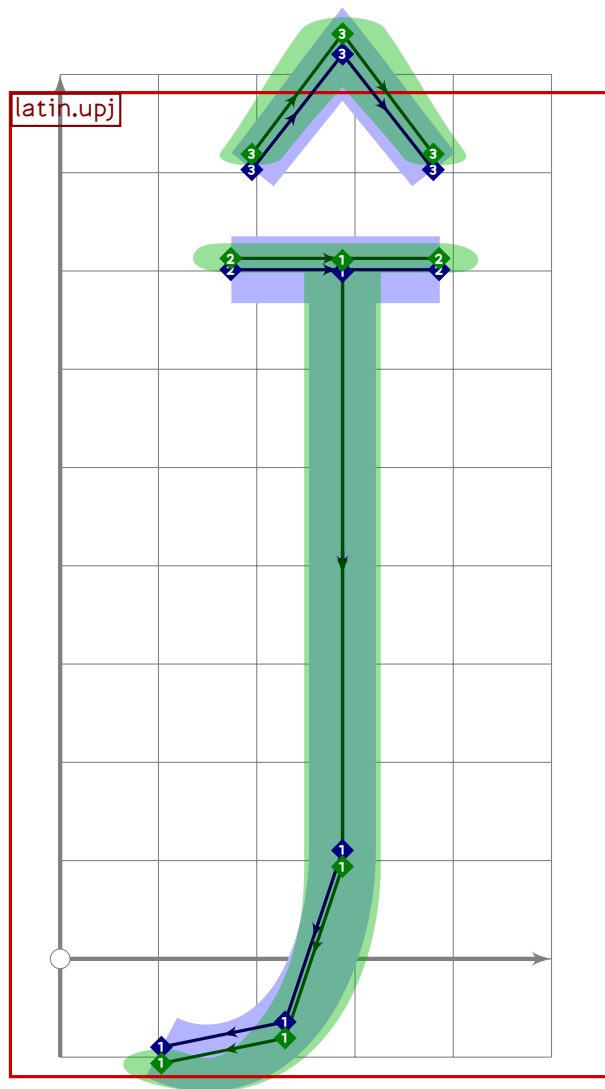
[see page 159]

[see page 199]

```

396 tsu_curve.latin.lowij;
397 tsu_render;
398 endtsuglyph;
399

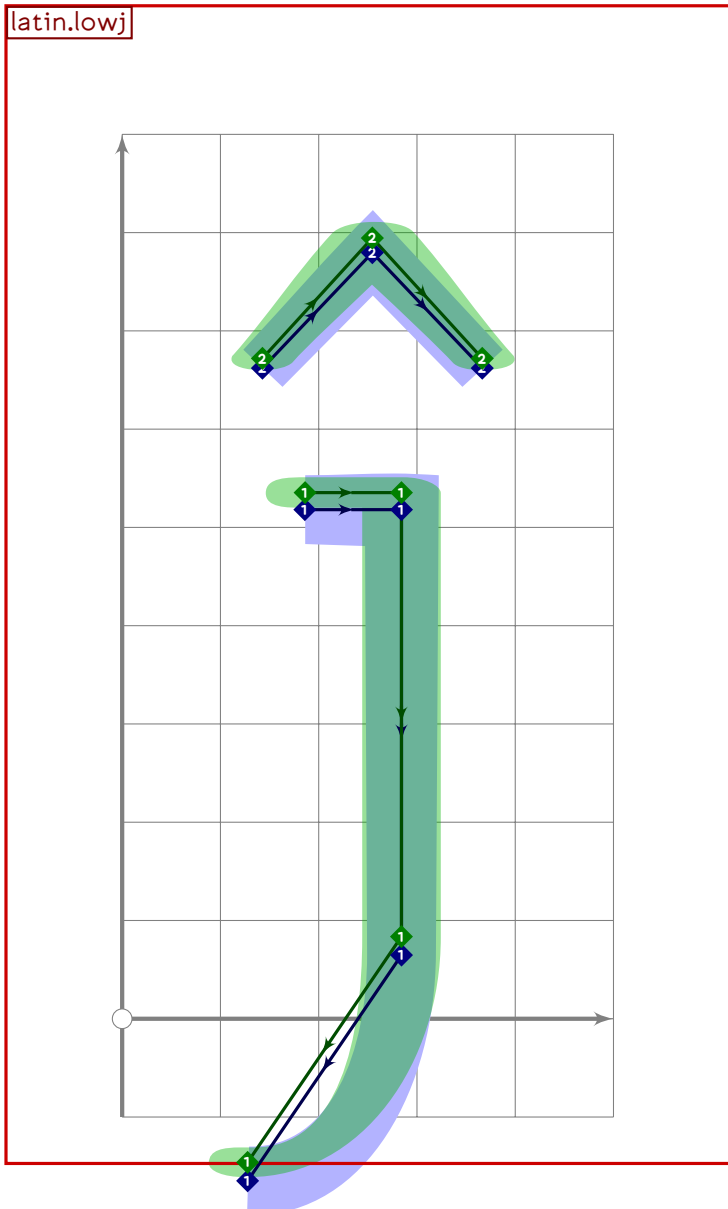
```



```

400 % J with circumflex
401 begint Suglyph("Jcircumflex";52);
402 tsu_accent.capital(circumflex)(tsu_curve.latin.upj);
403 bp[sp-1]:=bp[sp-1] shifted (50,0);
404 tsu_render;
405 endtsuglyph;
406

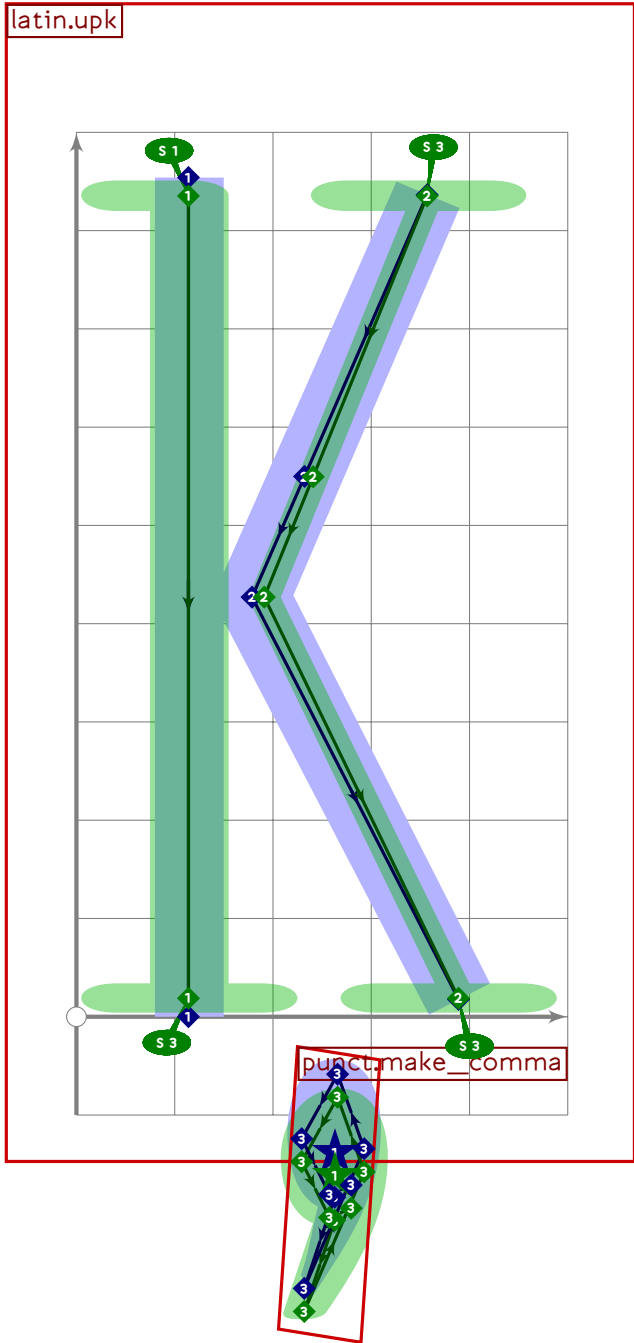
```



```

407 % j with circumflex
408 begint Suglyph("jcircumflex";53);
409   tsu_accent.circumflex(
410     tsu_curve.latin.lowj;
411     bpl:=bpl shifted (70*right);
412     path lcblob[]
413   );
414   tsu_render;
415   endtsuglyph;
416

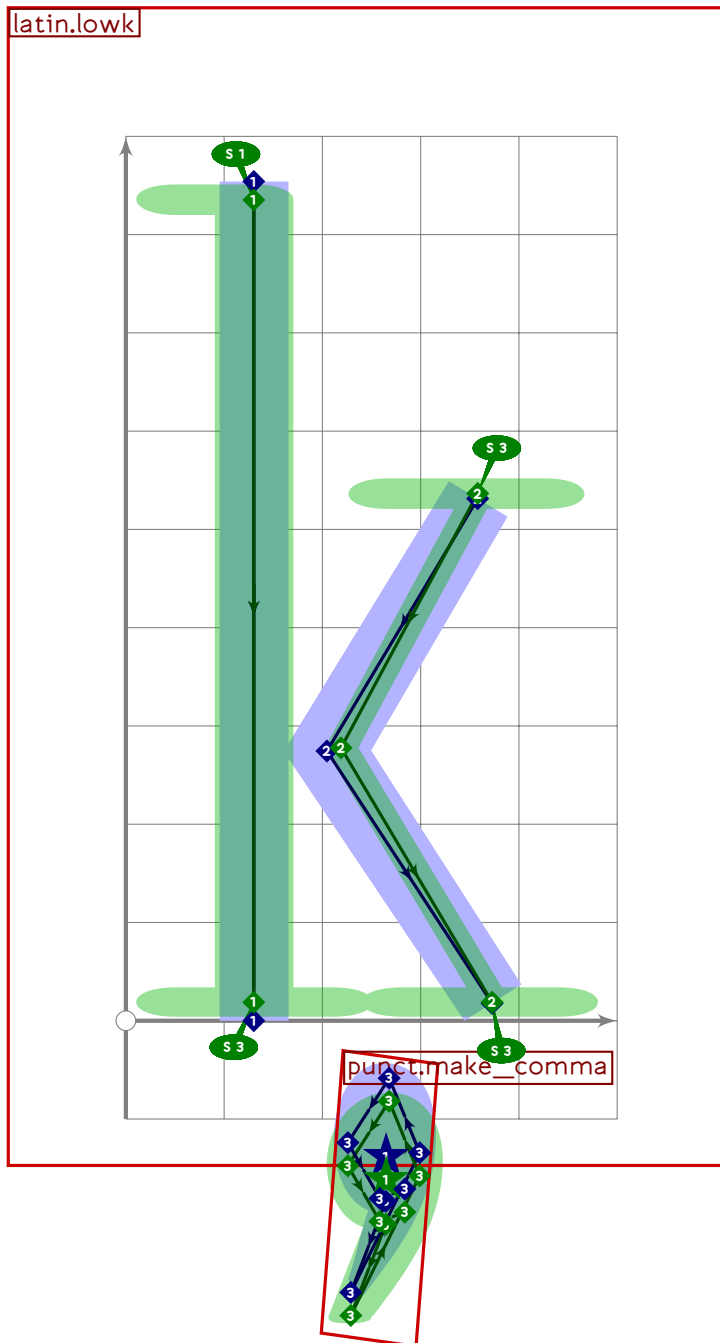
```

```

417 % K with comma below
418 begintsuglyph("uni0136",54);
419 tsu_accent.commabelow(tsu_curve.latin.upk);
420 tsu_render;
421 endtsuglyph;
422

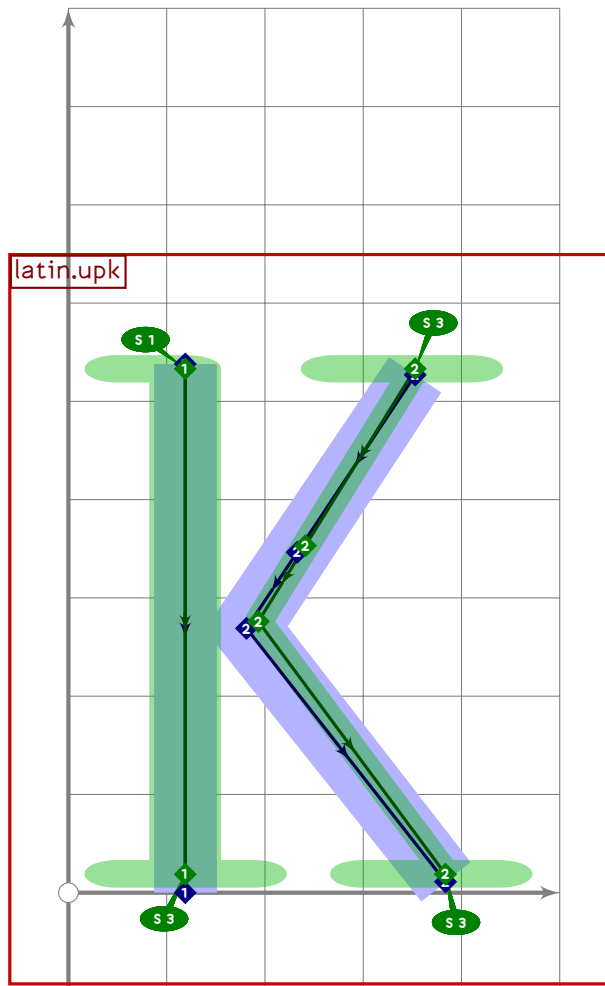
```



```

423 % k with comma below
424 begintsuglyph("uni0137",55);
425 tsu_accent.commabelow(tsu_curve.latin.lowk);
426 tsu_render;
427 endtsuglyph;
428

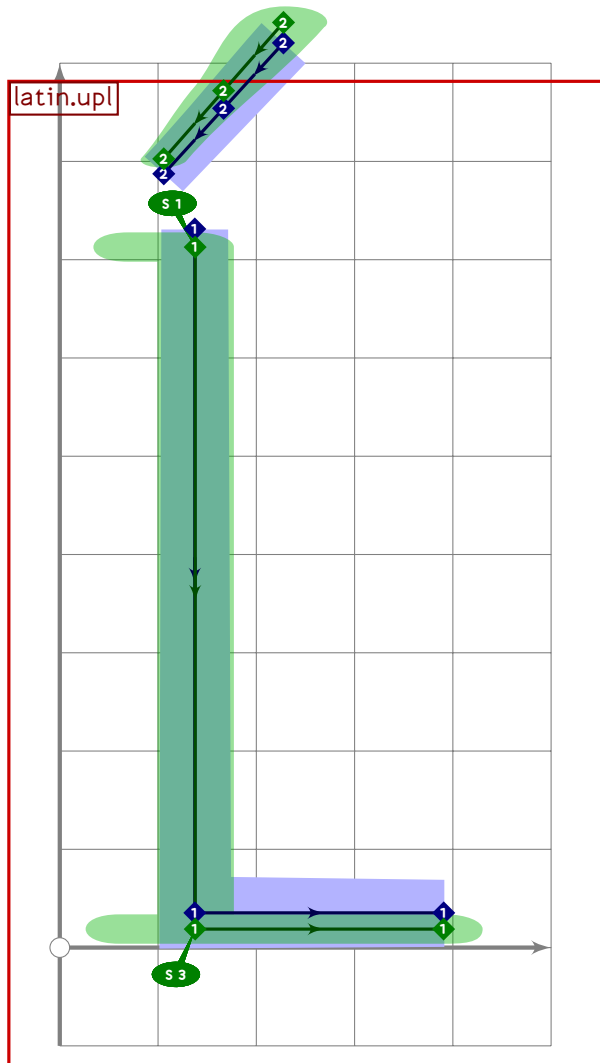
```



```

429 % Greenlandic k, which I'm interpreting as a squashed K
430 begintsuglyph("kgreenlandic",56);
431 tsu_xform(identity shifted (-500,latin_wide_low_v) xyscaled (0.92,0.63)
432   shifted (500,latin_wide_low_v))(tsu_curve.latin.upk);
433 tsu_render;
434 endsuglyph;
435

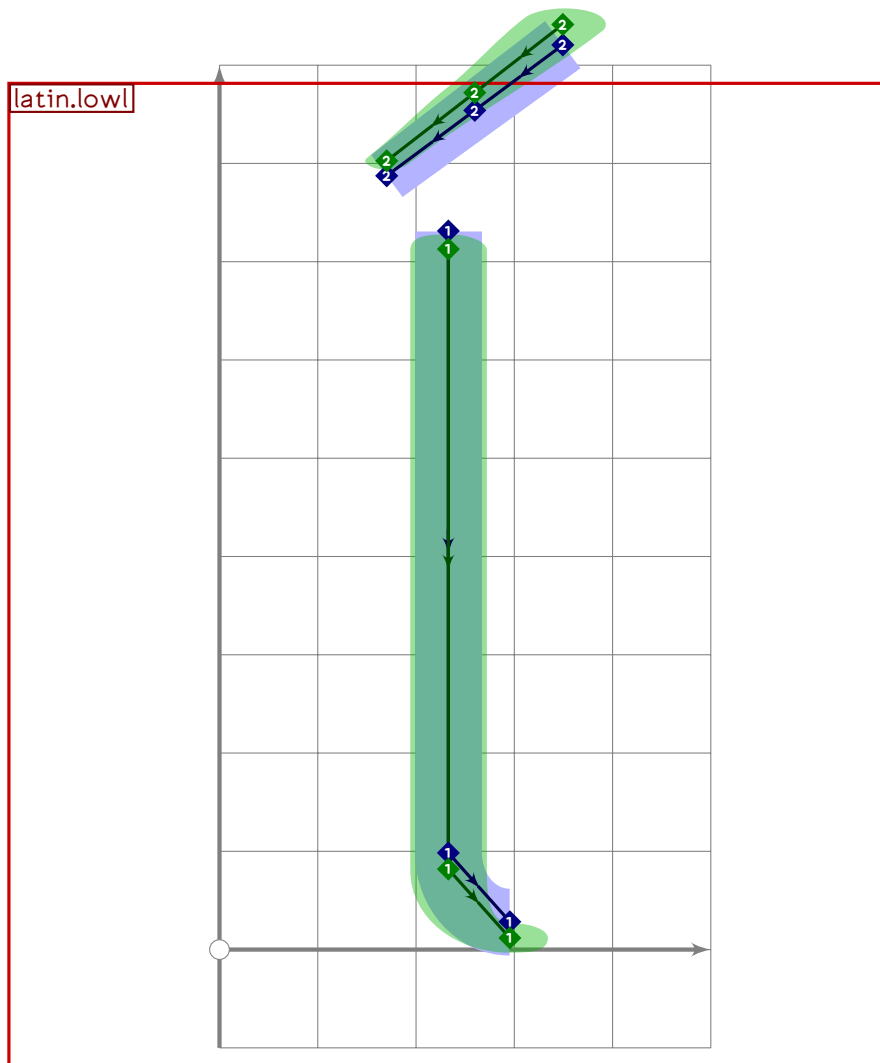
```



```

436 % L with acute
437 begint Suglyph("Lacute",57);
438   tsu_accent.capital(acute)(tsu_curve.latin.upl);
439   bp[sp-1]:=bp[sp-1] shifted (-190,0);
440   tsu_render;
441 endtsuglyph;
442

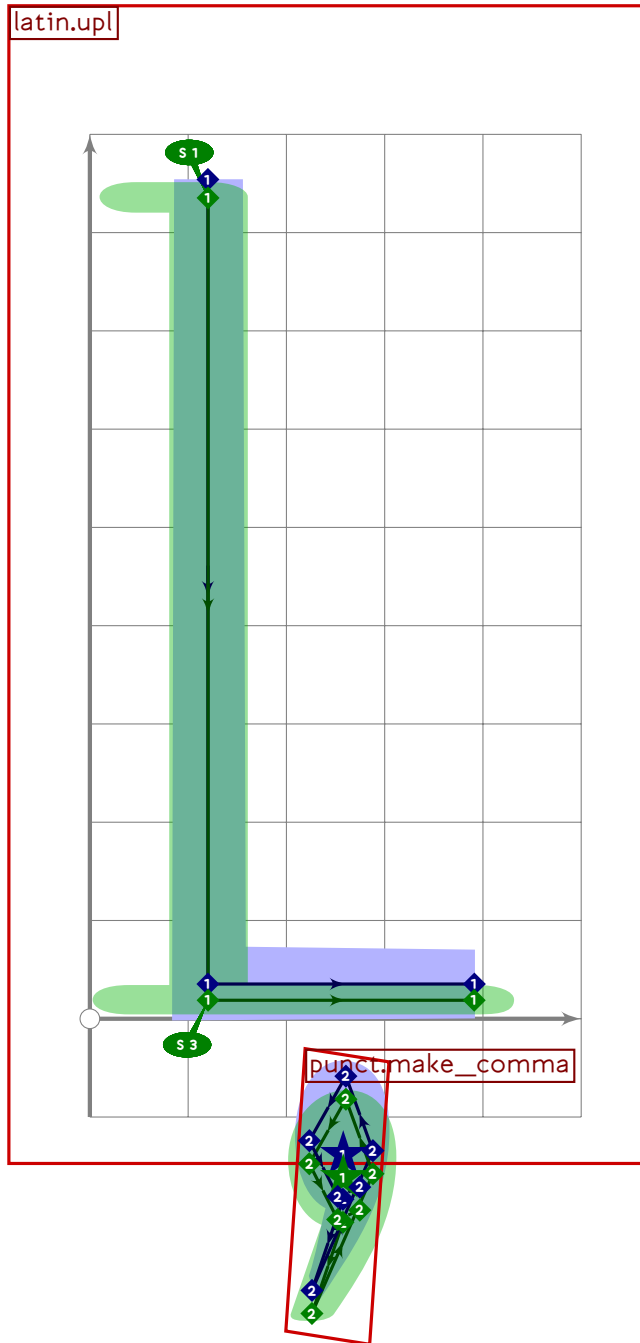
```



```

443 % l with acute
444 begintsuglyph("lacute",58);
445 tsu_accent.capital(acute)(tsu_curve.latin.lowl);
446 bp[sp-1]:=bp[sp-1] shifted (-20,0);
447 tsu_render;
448 endtsuglyph;
449

```

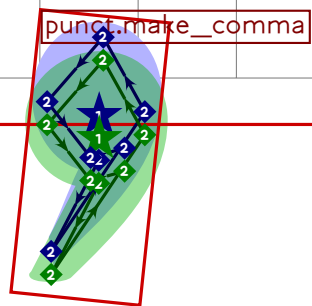
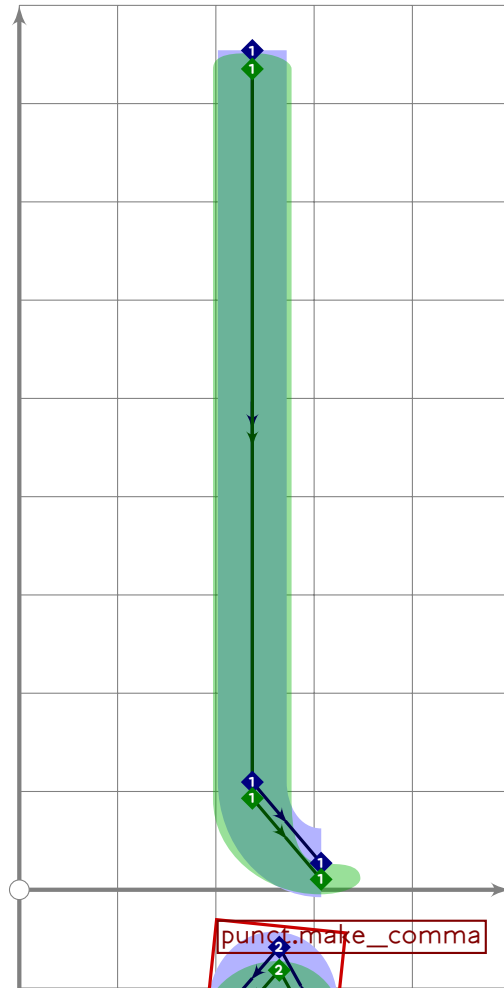


```

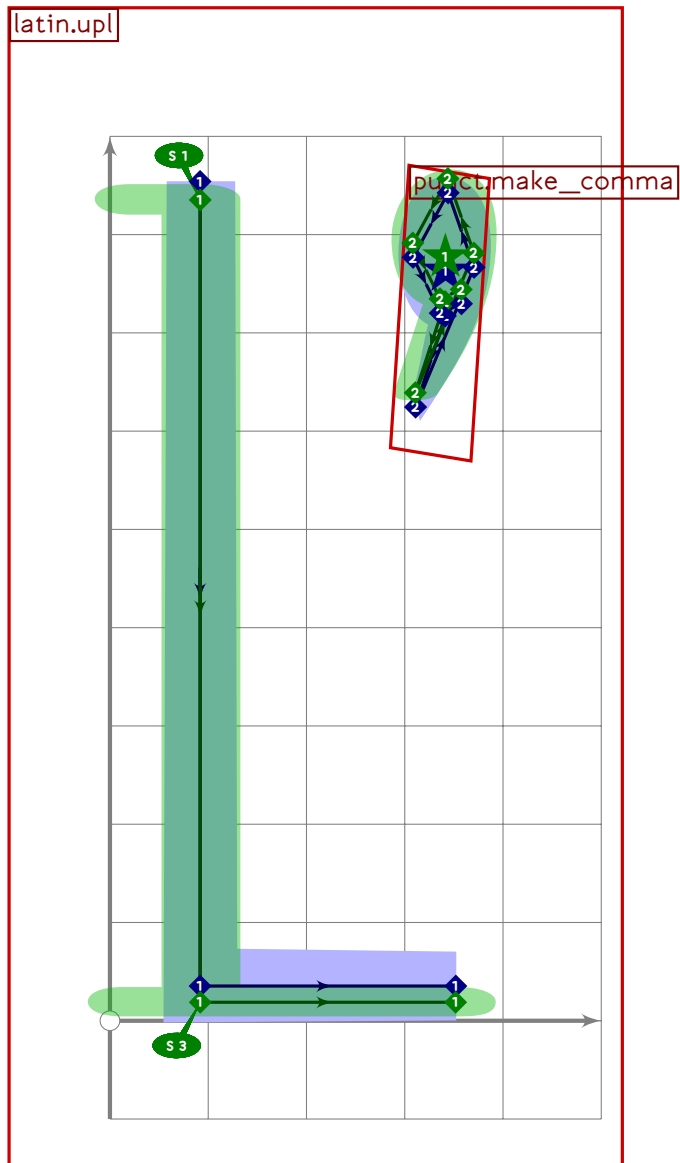
450 % L with comma below
451 begintsuglyph("uni013B",59);
452 tsu_accent.commabelow(tsu_curve.latin.upl);
453 tsu_render;
454 endtsuglyph;
455

```

latin.lowl



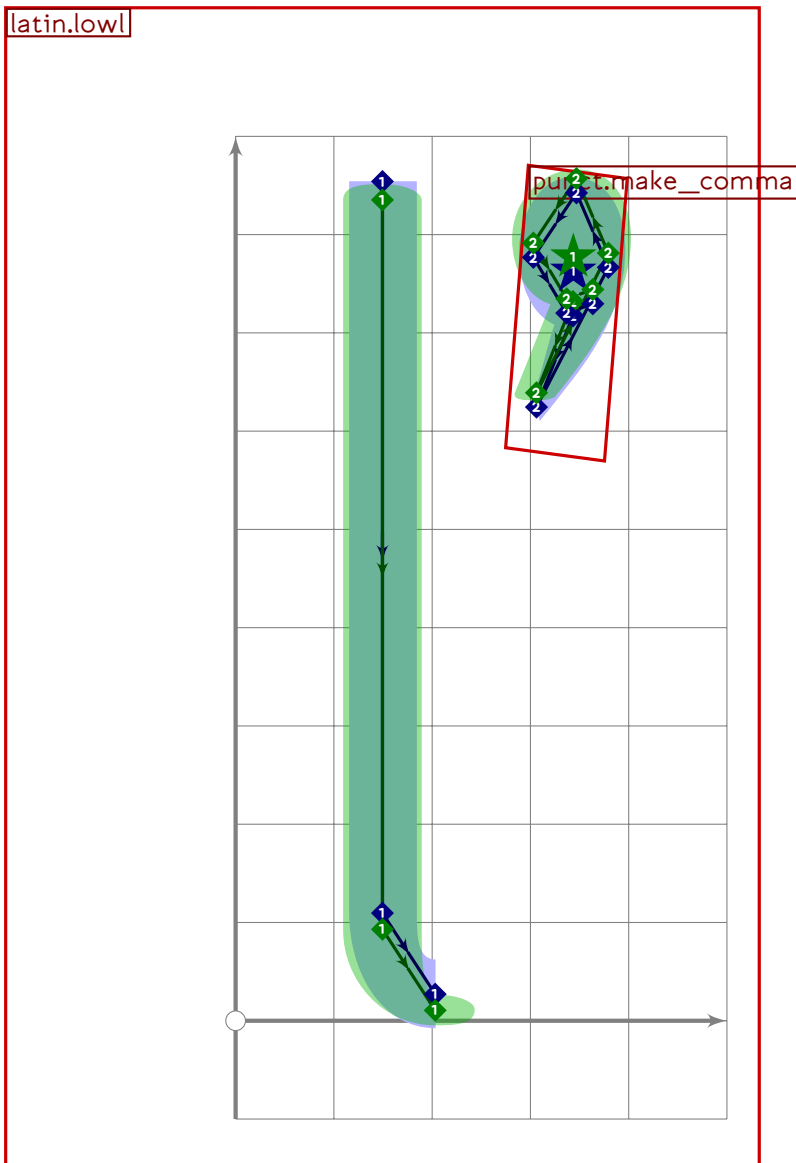
```
456 % l with comma below
457 begintsglyph("uni013C",60);
458 tsu_accent.commabelow(tsu_curve.latin.lowl);
459 tsu_render;
460 endtsuglyph;
461
```



```

462 % L with apostrophe caron
463 begintsuglyph("Lcaron",61);
464 tsu_accent.caron_apostrophe(-250)(tsu_curve.latin.upl);
465 tsu_render;
466 endtsuglyph;
467

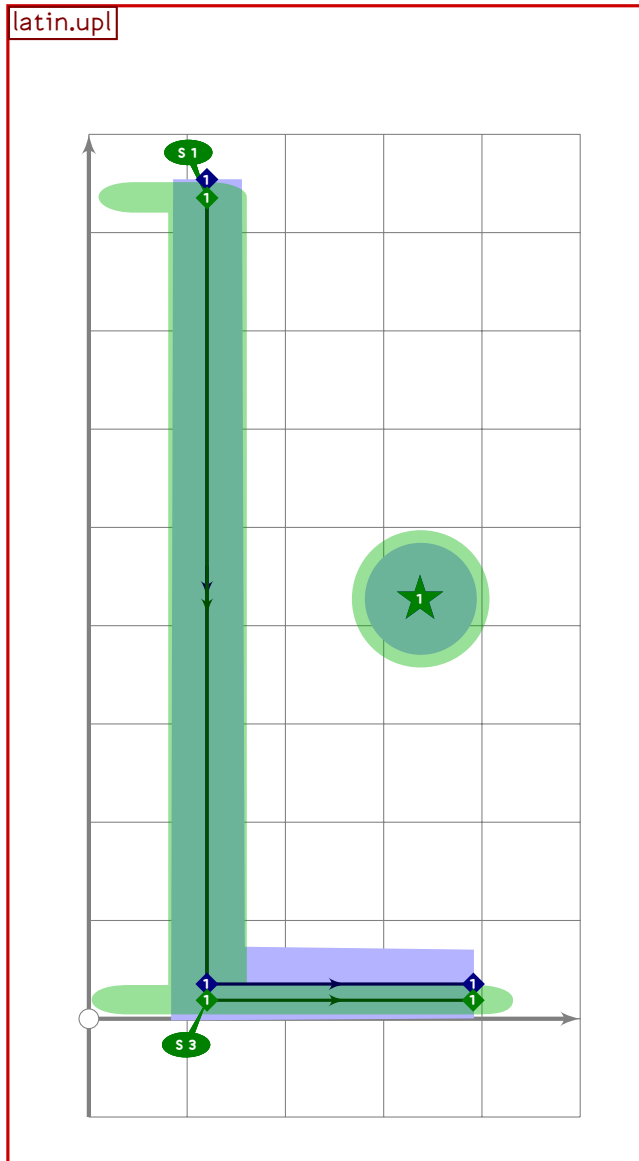
```

```

468 % l with apostrophe caron
469 begint Suglyph("lcaron",62);
470 tsu_accent.caron_apostrophe(-50)(tsu_curve.latin.lowl);
471 tsu_render;
472 endtsuglyph;
473

```

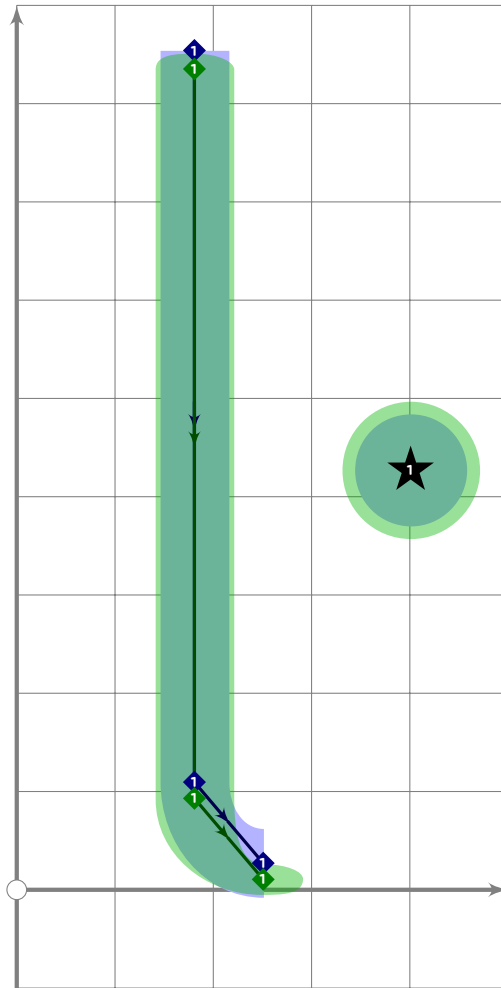


```

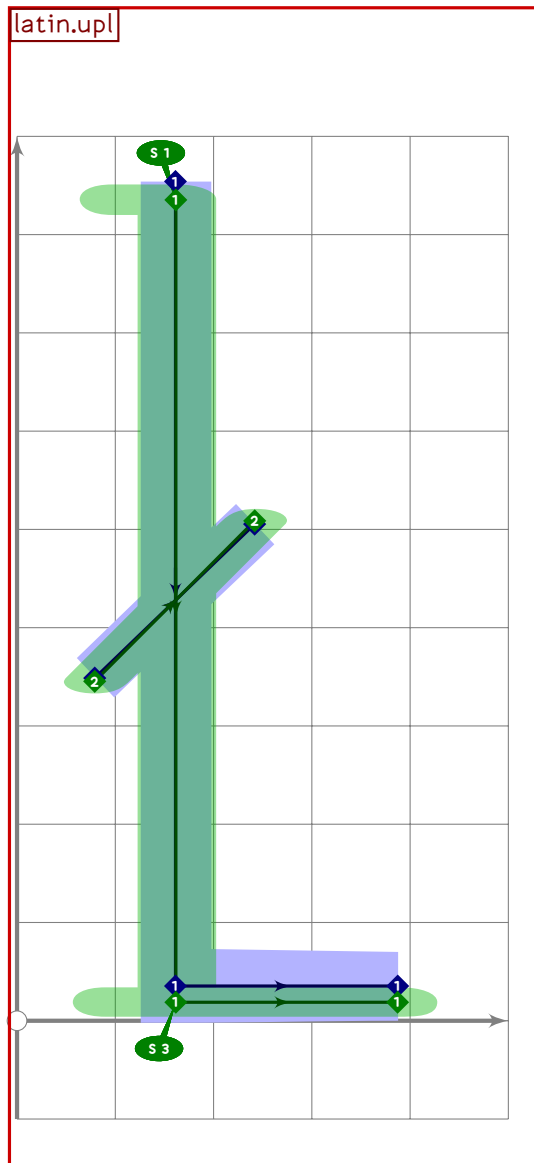
474 % L with dot
475 begintsuglyph("Ldot",63);
476 tsu_accent.dotabove(tsu_curve.latin.upl);
477 lcblob1=lcblob1
478   shifted ((xpart 0.8[[lcorner bp1,lrcorner bp1],vmetric(0.5))-
479             0.5[[lcorner lcblob1,urcorner lcblob1]]);
480 tsu_render;
481 endtsuglyph;
482

```

latin.lowl



```
483 % l with dot
484 begintsuglyph("ldot";64);
485 tsu_accent.dotabove(tsu_curve.latin.lowl);
486 bp1:=bp1 shifted (-120,0);
487 lcblob1:=lcblob1
488   shifted ((220*xpart llcorner bp1,vmetric(0.5))-
489           0.5[llcorner lcblob1,urcorner lcblob1]);
490 tsu_render;
491 endtsuglyph;
492
```

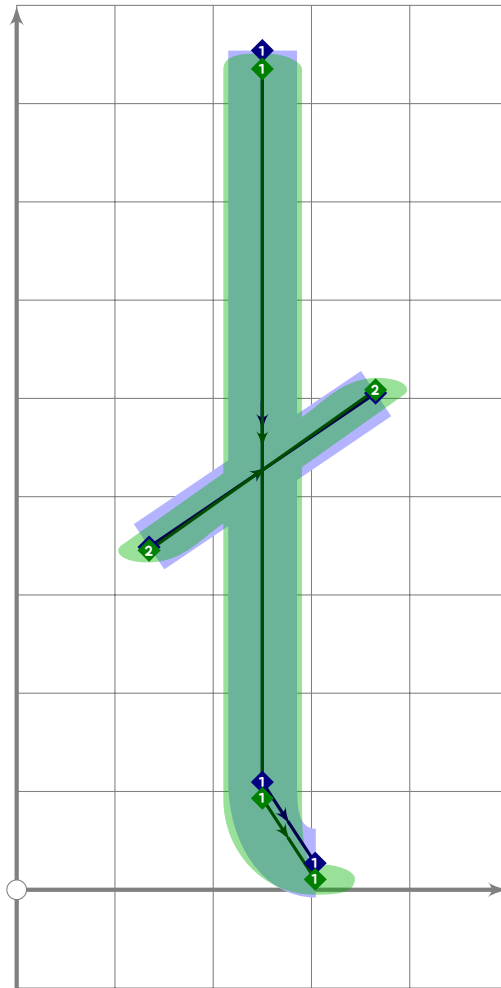


```

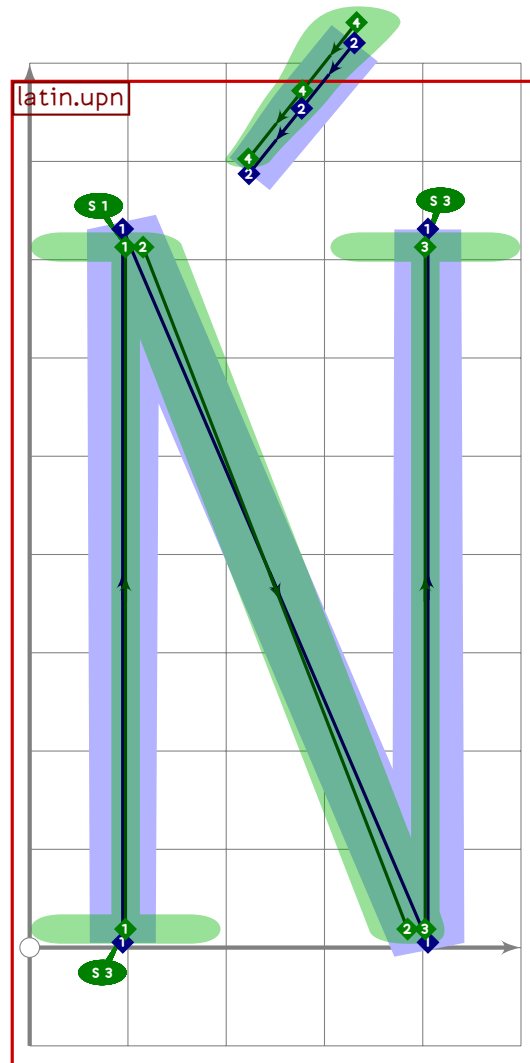
493 % L with slash
494 begintsuglyph("Lslash",65);
495 tsu_curve.latin.upl;
496 bp[sp]:=(160,vmetric(0.40))-(460,vmetric(0.60));
497 bq[sp]:=(1.6,1.6)-(1.6,1.6);
498 bo_size[sp]:=80;
499 sp:=sp*1;
500 tsu_render;
501 endsuglyph;
502

```

latin.lowl



```
503 % l with slash
504 begint Suglyph("lslash",66);
505 tsu_curve.latin.lowl;
506 bp[sp]:=(350,vmetric(0.40))-(650,vmetric(0.60));
507 bq[sp]:=(1.6,1.6)-(1.6,1.6);
508 bo_size[sp]:=80;
509 sp:=sp*1;
510 tsu_render;
511 endtsuglyph;
512
```

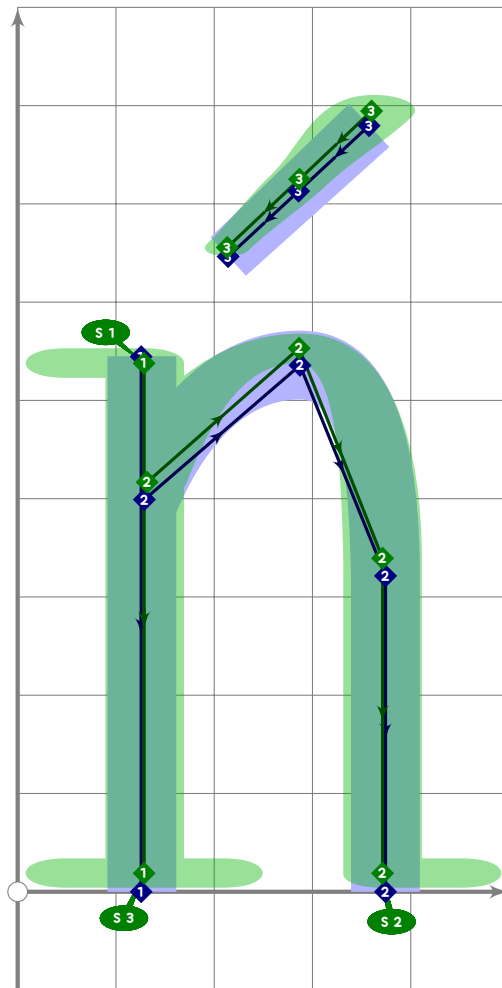


```

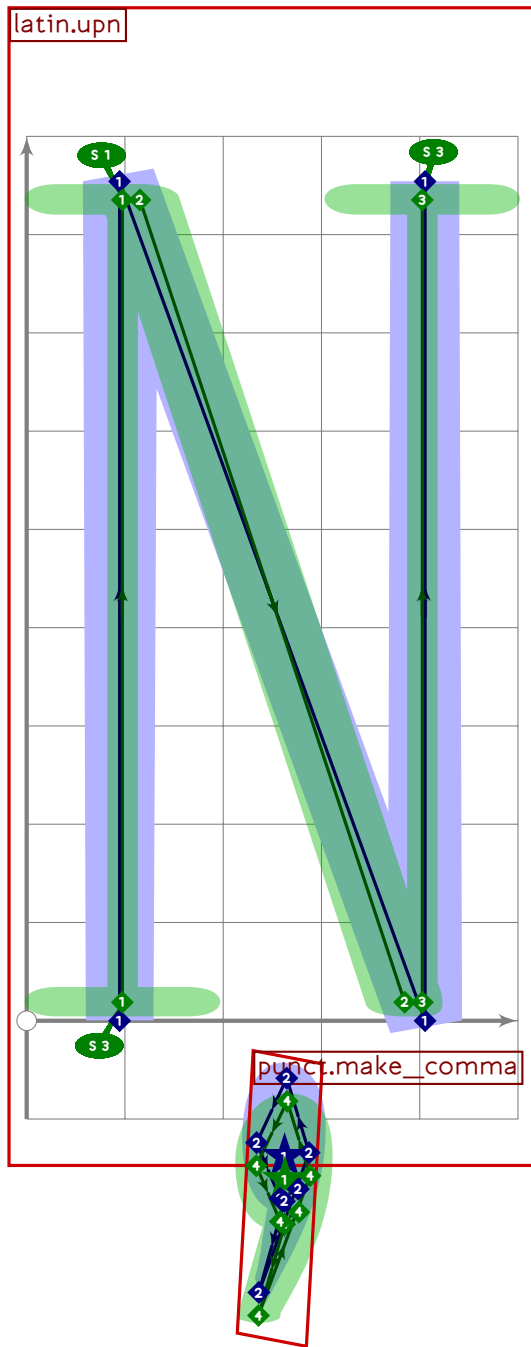
513 % N with acute
514 begintsuglyph("Nacute",67);
515   tsu_accent.capital(acute)(tsu_curve.latin.upn);
516   tsu_render;
517 endsuglyph;
518

```

latin.lown



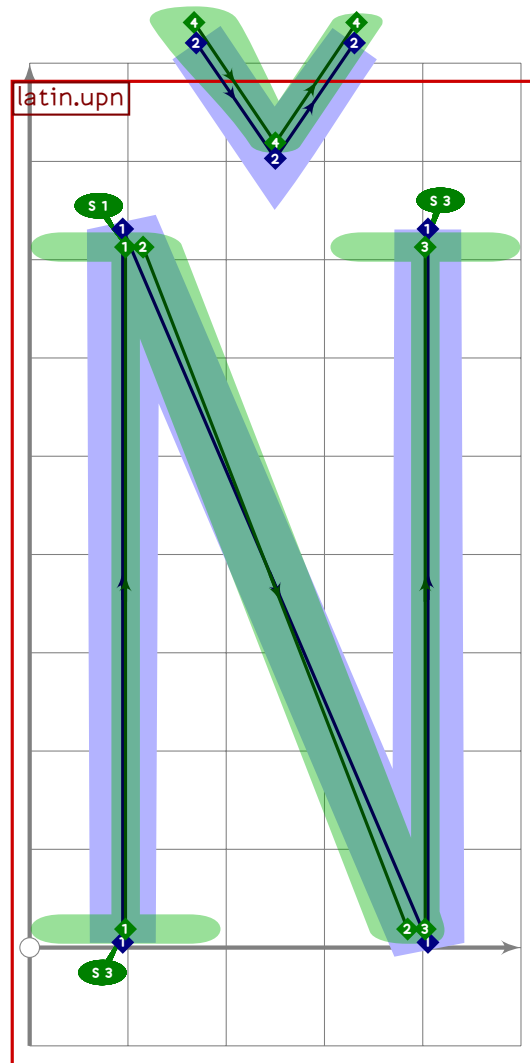
```
519 % n with acute
520 begint Suglyph("nacut ",68);
521   tsu_accent.acute(tsu_curve.latin.lown);
522   tsu_render;
523 endtsuglyph;
524
```



```

525 % N with comma below
526 begintsuglyph("uni0145";69);
527 tsu_accent.commabelow(tsu_curve.latin.upn);
528 tsu_render;
529 endtsuglyph;
530

```

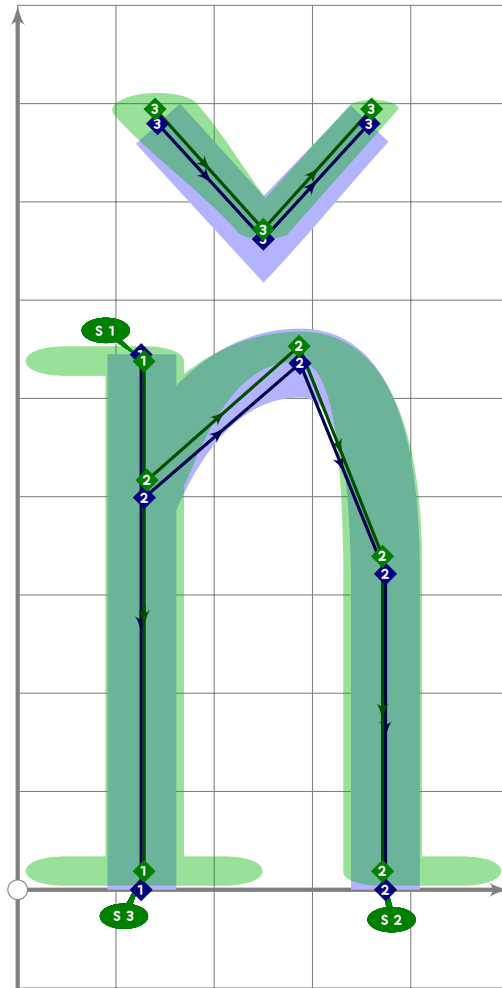



```

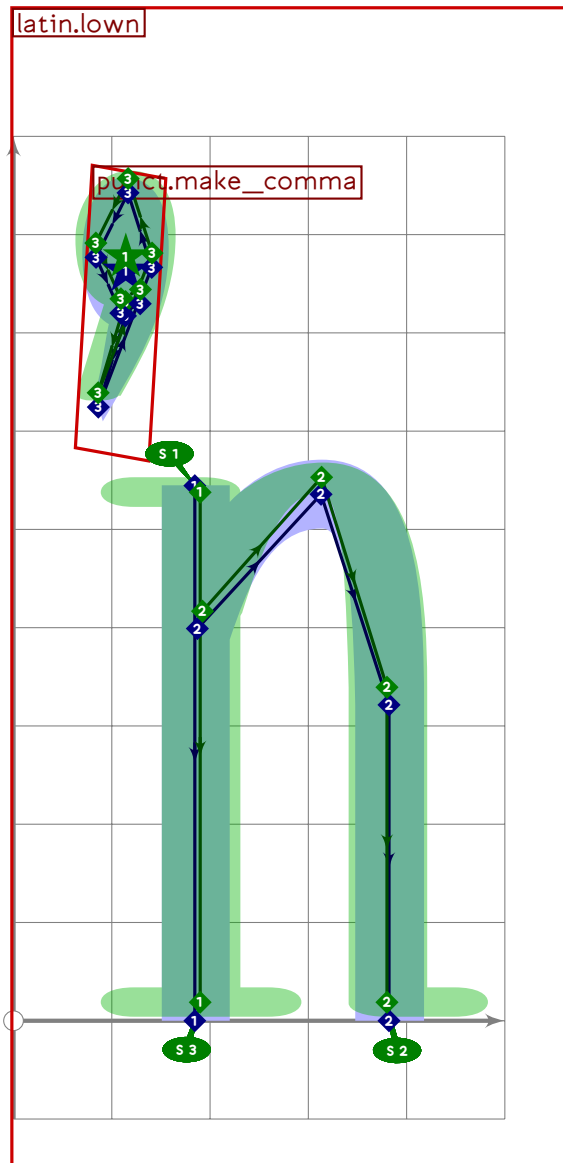
537 % N with caron
538 begintsuglyph("Ncaron";71);
539   tsu_accent.capital(caron)(tsu_curve.latin.upn);
540   tsu_render;
541 endsuglyph;
542

```

latin.lown



```
543 % n with caron
544 begintsuglyph("ncaron";72);
545 tsu_accent.caron(tsu_curve.latin.lown);
546 tsu_render;
547 endtsuglyph;
548
```



```

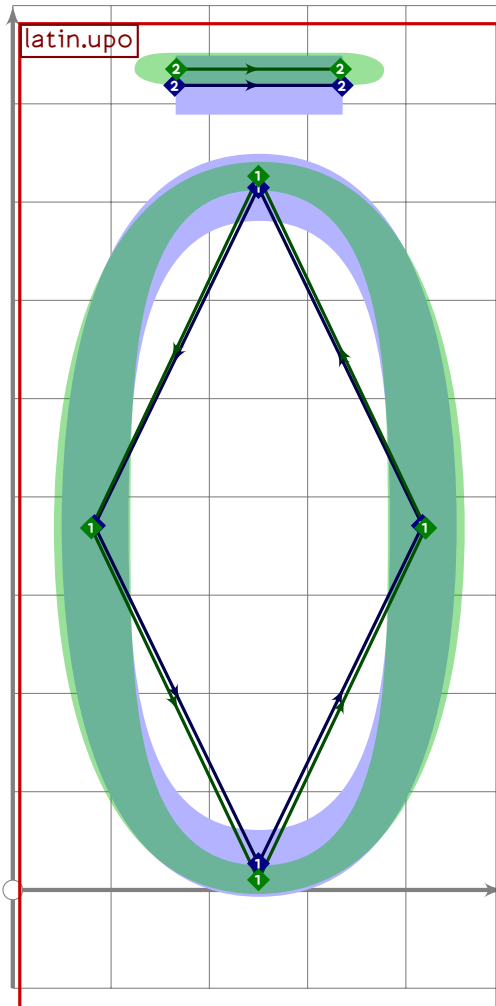
549 % n with apostrophe before
550 begintsuglyph("napostrophe";73);
551 tsu_xform(identity shifted (30,0))(tsu_curve.latin.lown);
552 tsu_curve.punct.make_comma((230,vmetric(0.94)),0);
553 tsu_render;
554 endtsuglyph;
555
556 % uppercase Eng
557 begintsuglyph("Eng";74);
558 tsu_curve.latin.upeng;
559 tsu_render;
560 endtsuglyph;
561
562 % lowercase eng
563 begintsuglyph("eng";75);
564 tsu_curve.latin.loweng;

```

[see page 166]

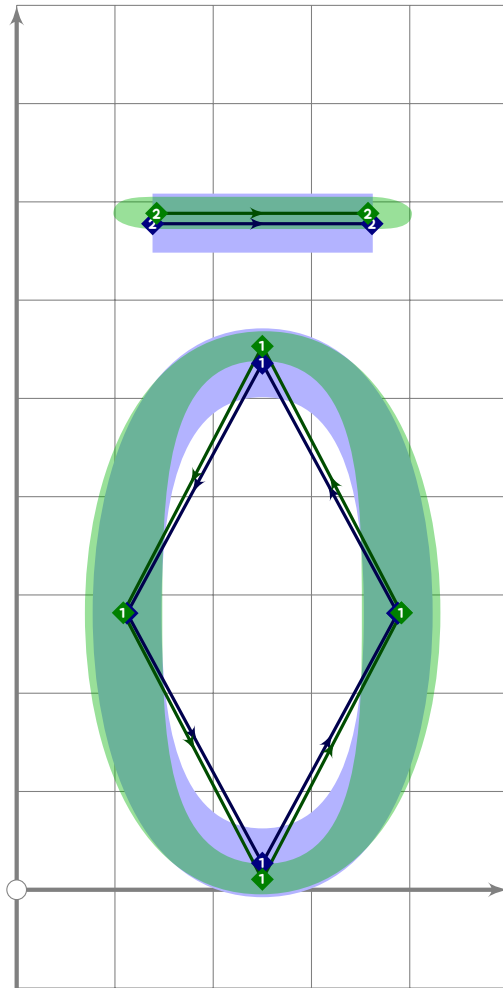
[see page 205]

```
565 tsu_render;  
566 endtsuglyph;  
567
```

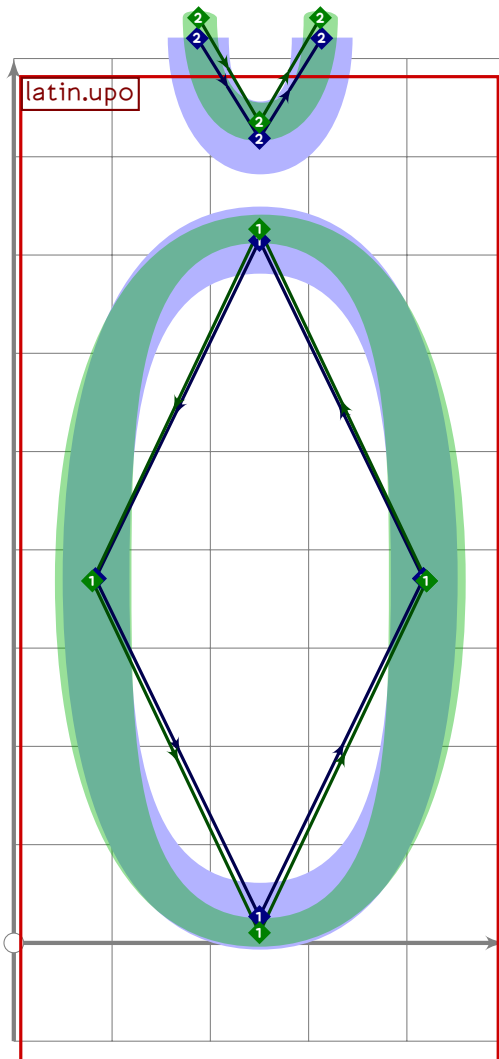


```
568 % O with macron  
569 begintsuglyph("Omacron";76);  
570 tsu_accent.capital(macron)(tsu_curve.latin.upo);  
571 tsu_render;  
572 endtsuglyph;  
573
```

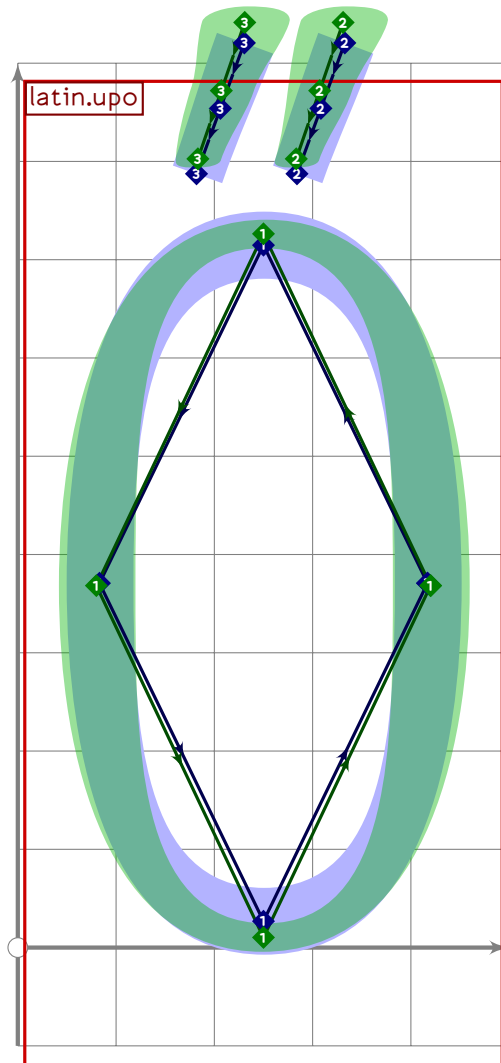
latin.lowo



```
574 % o with macron
575 begintsuglyph("omacron";77);
576 tsu_accent.macron(tsu_curve.latin.lowo);
577 tsu_render;
578 endsuglyph;
579
```



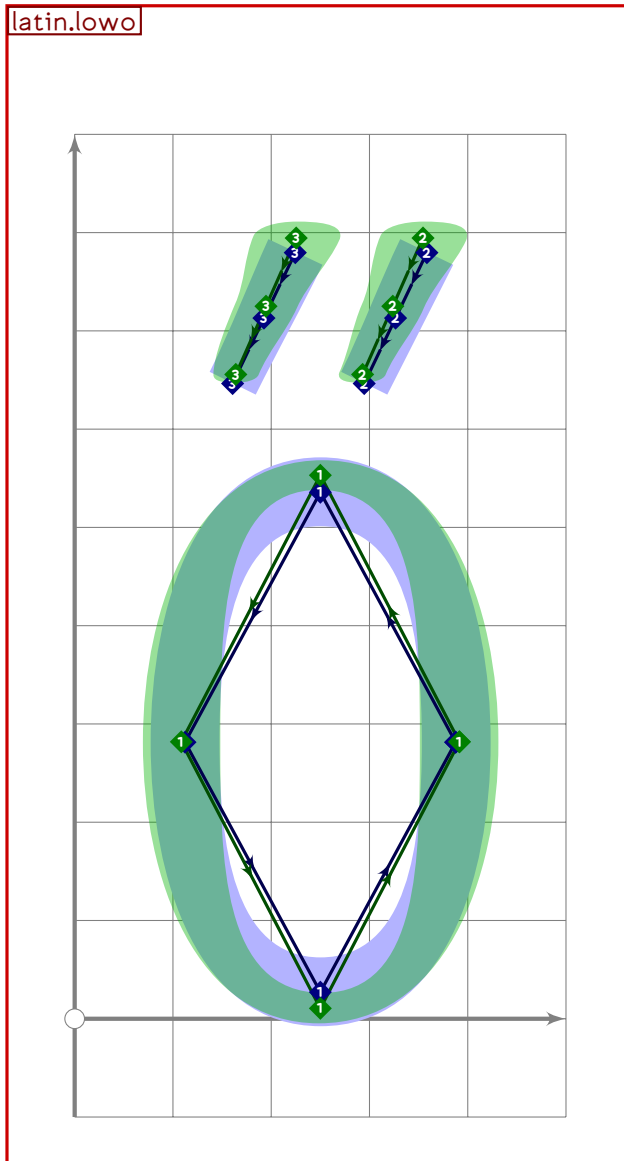
```
580 % O with breve
581 begintsuglyph("Obreve",78);
582 tsu_accent.capital(breve)(tsu_curve.latin.upo);
583 tsu_render;
584 endsuglyph;
585
```

```

592 % Ö with Hungarian umlaut
593 begintsuglyph("Ohungarumlaut";80);
594 tsu_accent.capital(hungarian_umlaut)(tsu_curve.latin.upo);
595 tsu_render;
596 endsuglyph;
597

```



```

598 % o with hungarian umlaut
599 begintsuglyph("ohungarumlaut",81);
600 tsu_accent.hungarian_umlaut(tsu_curve.latin.lowo);
601 tsu_render;
602 endsuglyph;
603
604 % OE ligature
605 begintsuglyph("OE",82);
606 tsu_curve.latin.upoe;
607 tsu_render;
608 endsuglyph;
609
610 % oe ligature
611 begintsuglyph("oe",83);
612 tsu_curve.latin.lowoe;
613 tsu_render;

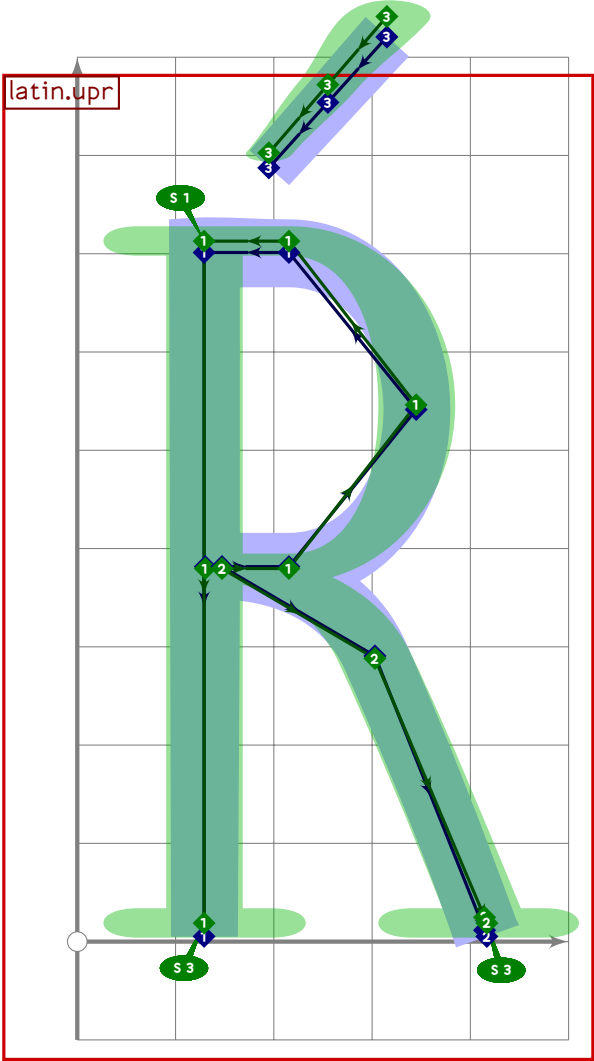
```

[see page 168]

[see page 207]

614 endsuglyph;

615



616 % R with acute

617 `begintsuglyph("Racute";84);`

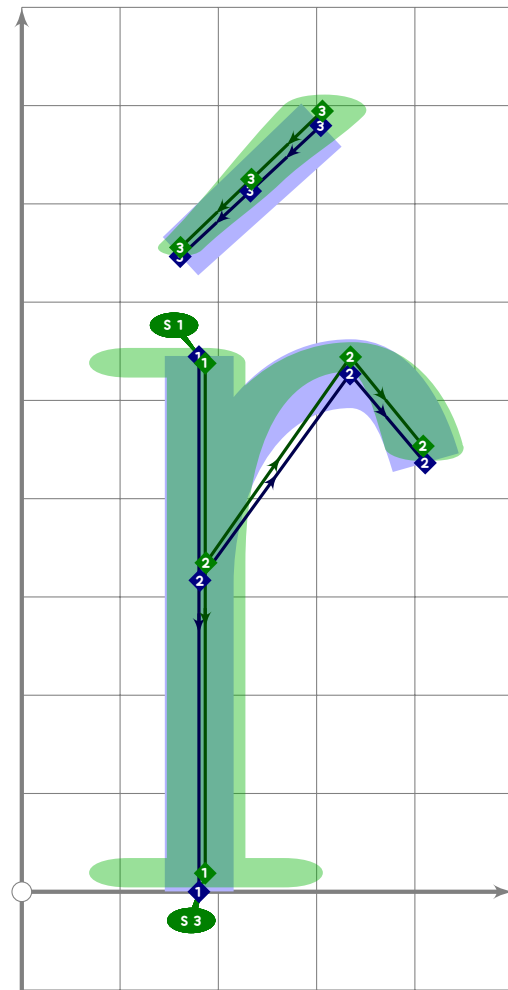
618 `tsu_accent.capital(acute)(tsu_curve.latin.upr);`

619 `tsu_render;`

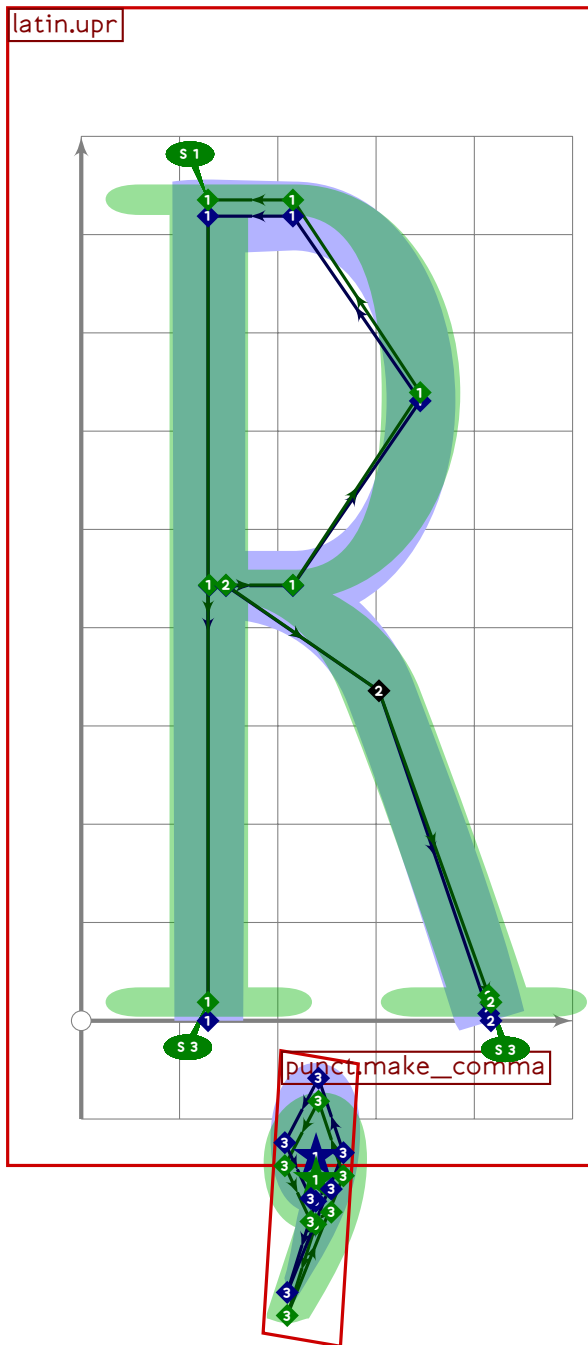
620 endsuglyph;

621

latin.lowr



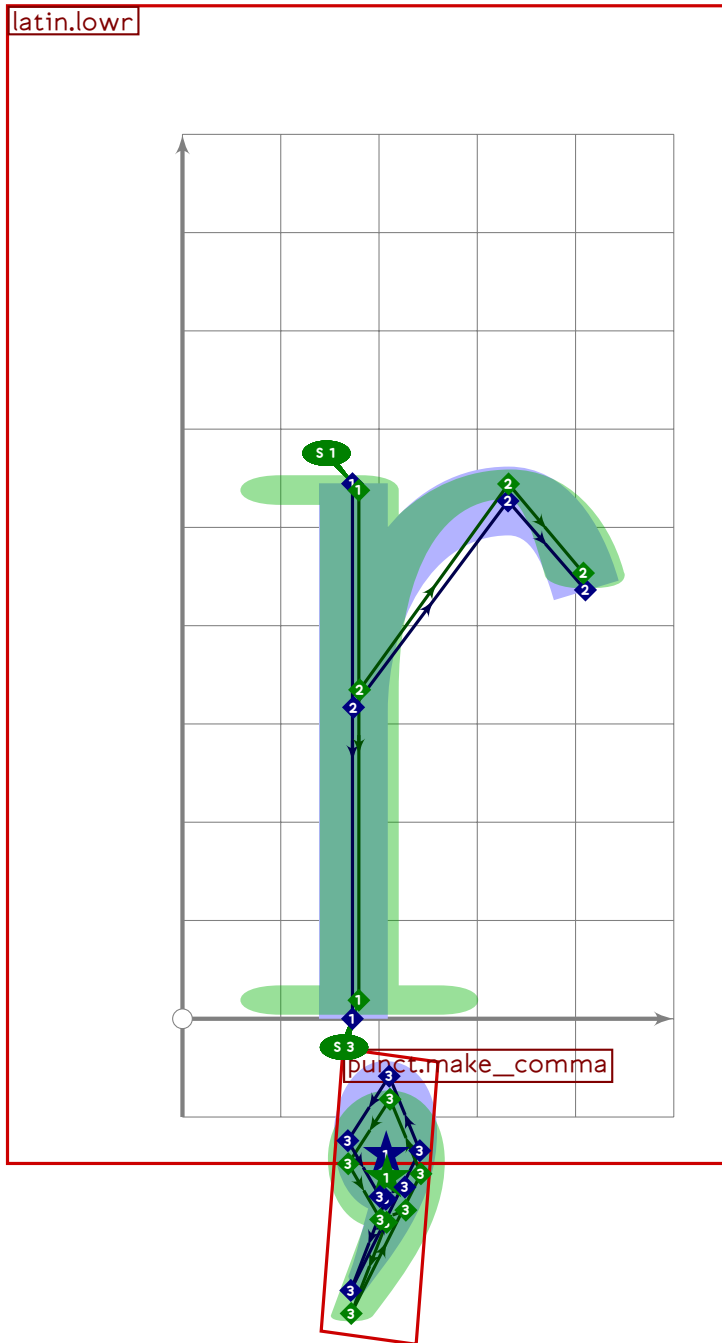
```
622 % r with acute
623 begint Suglyph("racute";85);
624   tsu_accent.acute(tsu_curve.latin.lowr);
625   tsu_render;
626 endsuglyph;
627
```



```

628 % R with comma below
629 beginsuglyph("uni0156";86);
630 tsu_accent.commabelow(tsu_curve.latin.upr);
631 tsu_render;
632 endsuglyph;
633

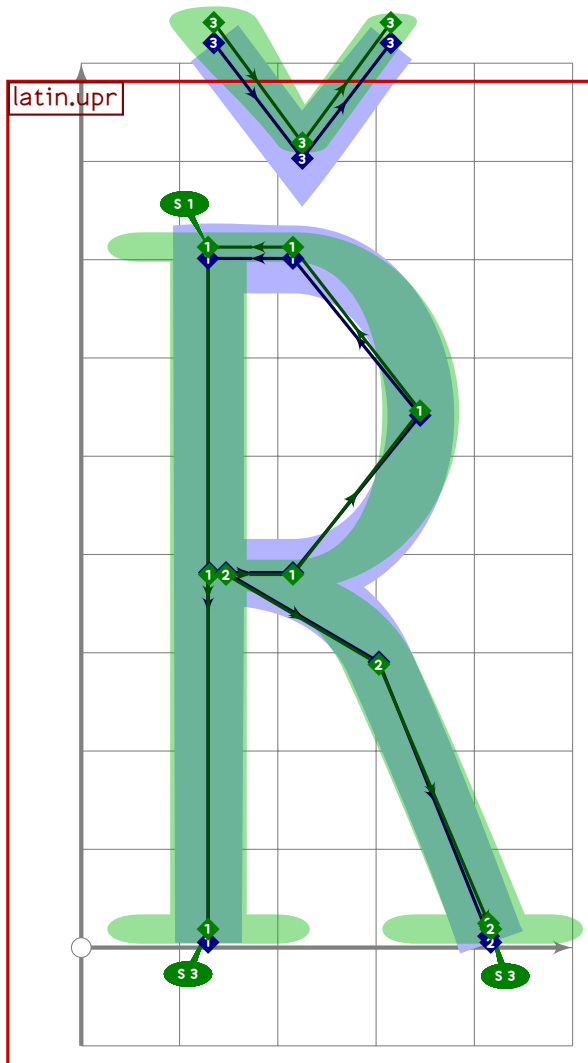
```



```

634 % r with comma below
635 begintsuglyph("uni0157";87);
636 tsu_accent.commabelow(tsu_curve.latin.lowr);
637 tsu_render;
638 endsuglyph;
639

```

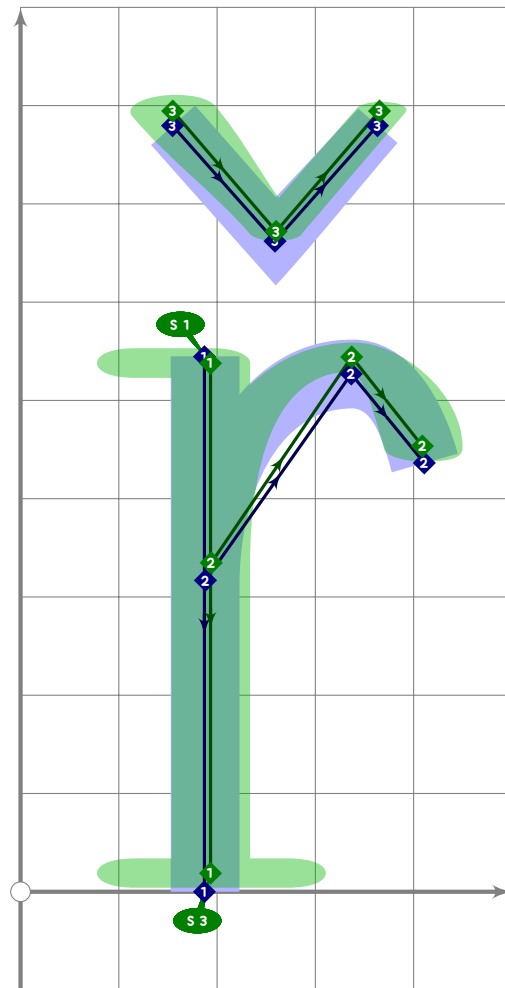


```

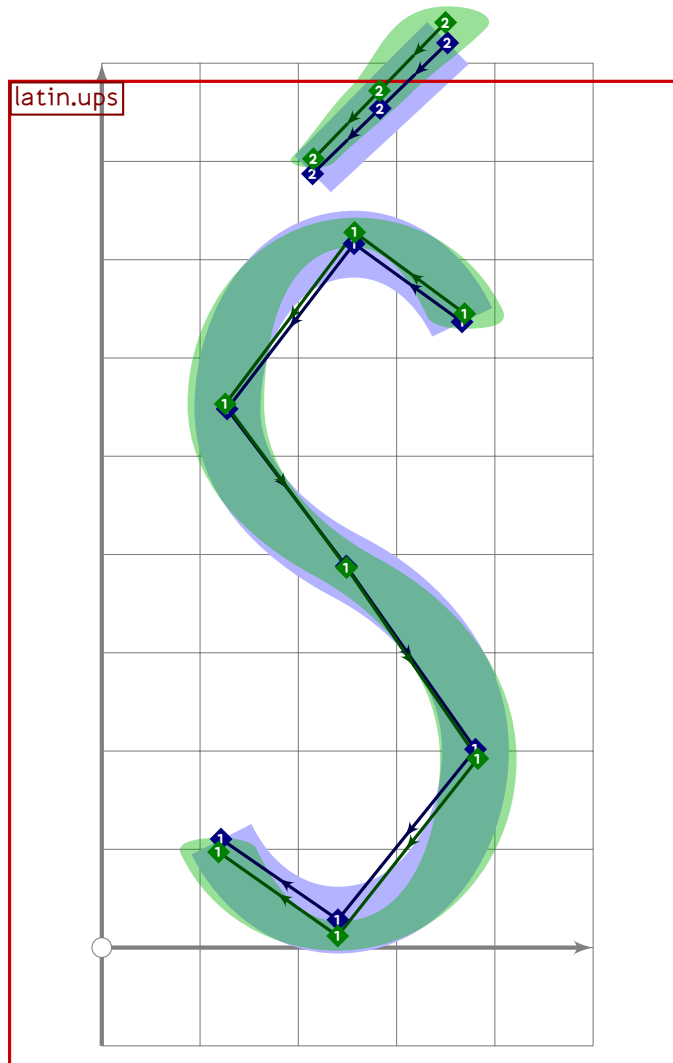
640 % R with caron
641 begintsuglyph("Rcaron";88);
642   tsu_accent.capital(caron)(tsu_curve.latin.upr);
643   tsu_render;
644 endsuglyph;
645

```

latin.lowr



```
646 % r with caron
647 begint Suglyph("rcaron";89);
648   tsu_accent.caron(tsu_curve.latin.lowr);
649   bp[sp-1]:=bp[sp-1] shifted (80,0);
650   tsu_render;
651   endtsuglyph;
652
```

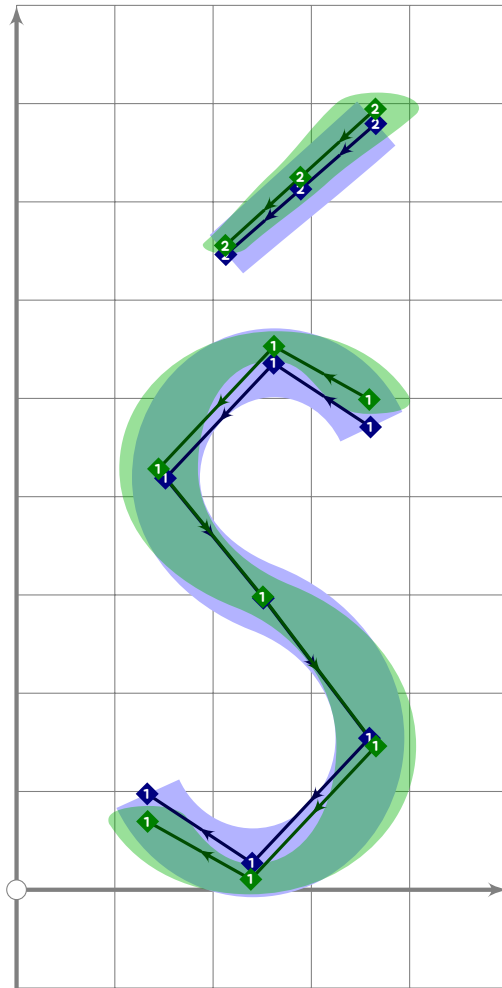



```

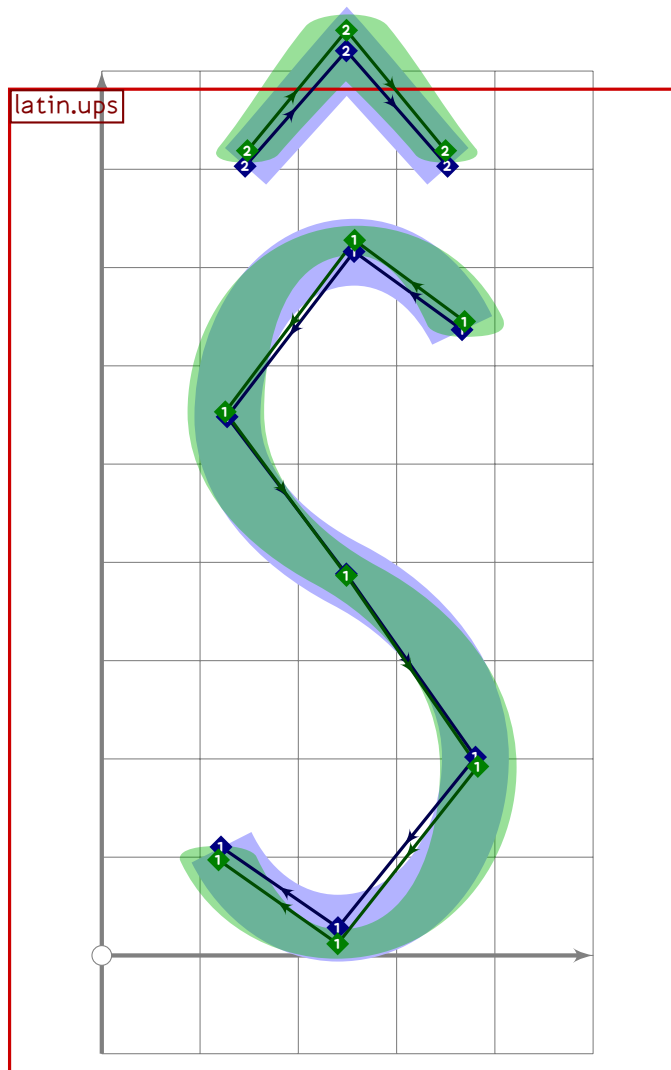
653 % S with acute
654 begintsuglyph("Sacute";90);
655   tsu_accent.capital(acute)(tsu_curve.latin.ups);
656   tsu_render;
657 endsuglyph;
658

```

latin.lows



```
659 % s with acute
660 begint Suglyph("sacute";91);
661   tsu_accent.acute(tsu_curve.latin.lows);
662   tsu_render;
663 endsuglyph;
664
```

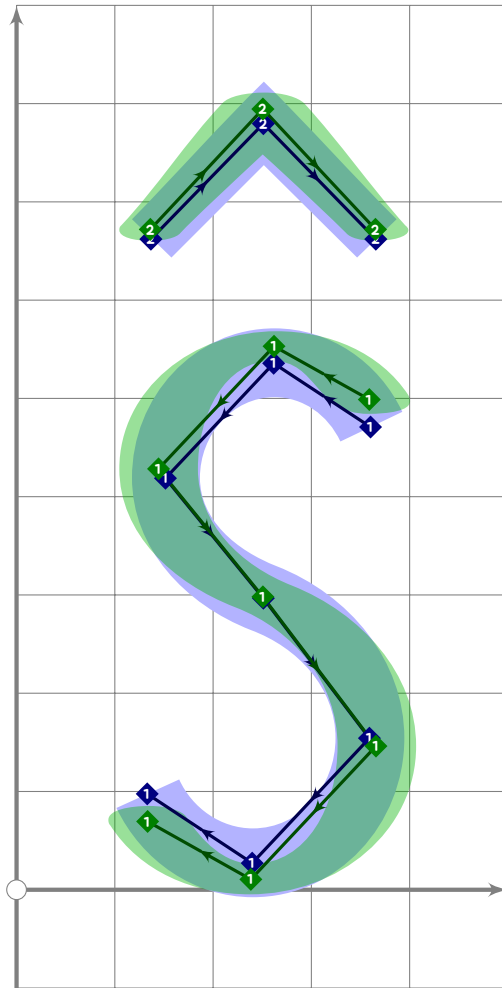


```

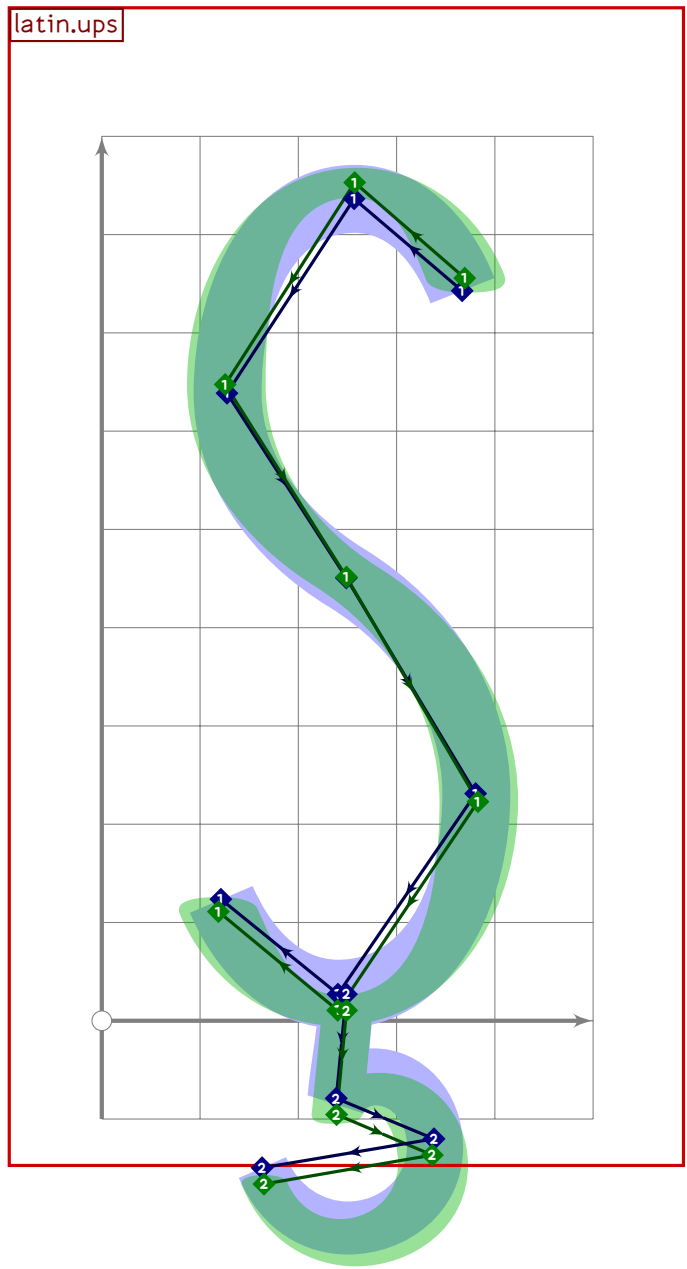
665 % S with circumflex
666 begintsuglyph("Scircumflex";92);
667 tsu_accent.capital(circumflex)(tsu_curve.latin.ups);
668 tsu_render;
669 endtsuglyph;
670

```

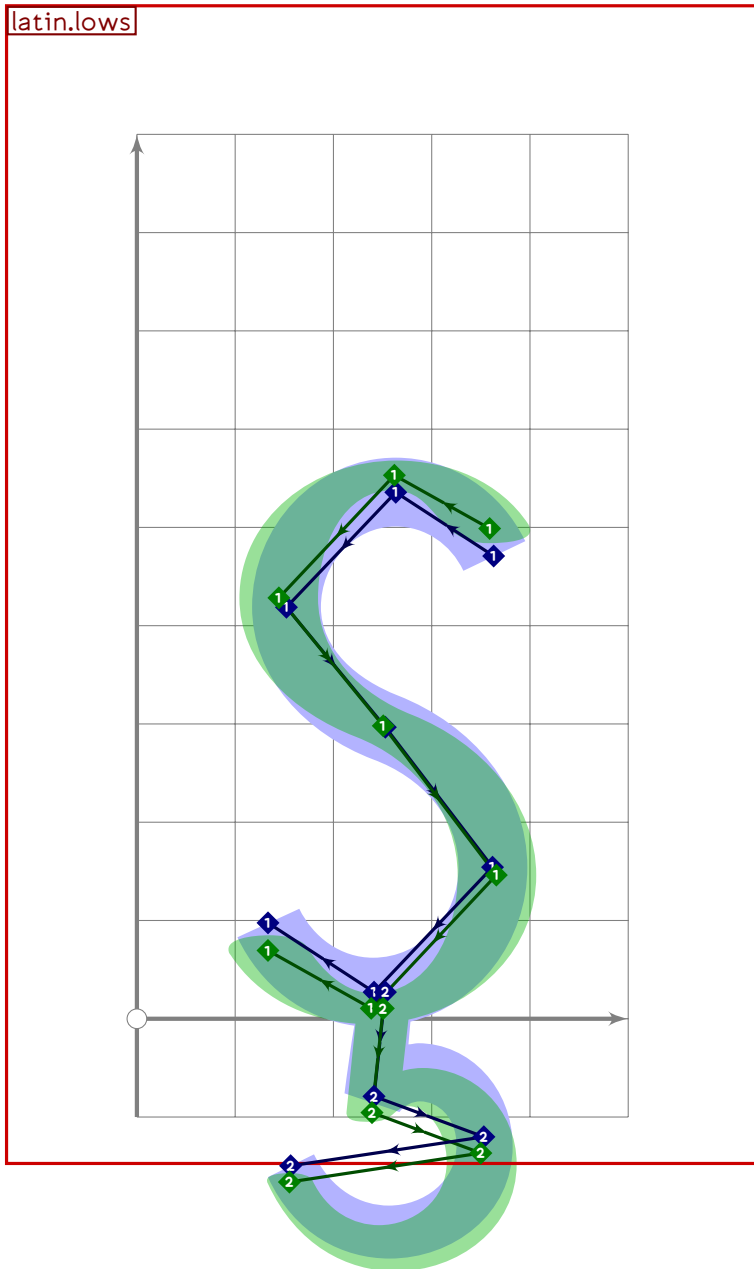
latin.lows



```
671 % s with circumflex
672 begint Suglyph("scircumflex";93);
673   tsu_accent.circumflex(tsu_curve.latin.lows);
674   tsu_render;
675 endtsuglyph;
676
```



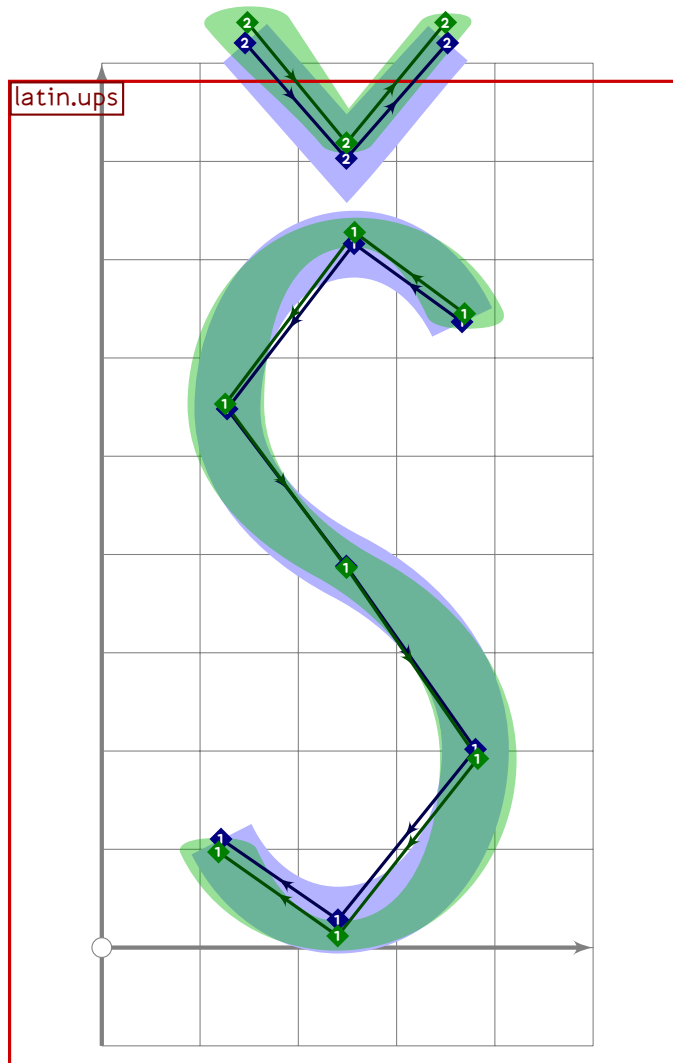
```
677 % S with cedilla
678 begintsuglyph("Scedilla";94);
679 tsu_accent.cedilla(tsu_curve.latin.ups);
680 tsu_render;
681 endtsuglyph;
682
```



```

683 % s with cedilla
684 begintsuglyph("scedilla";95);
685   tsu_accent.cedilla(tsu_curve.latin.lows);
686   tsu_render;
687 endsuglyph;
688

```

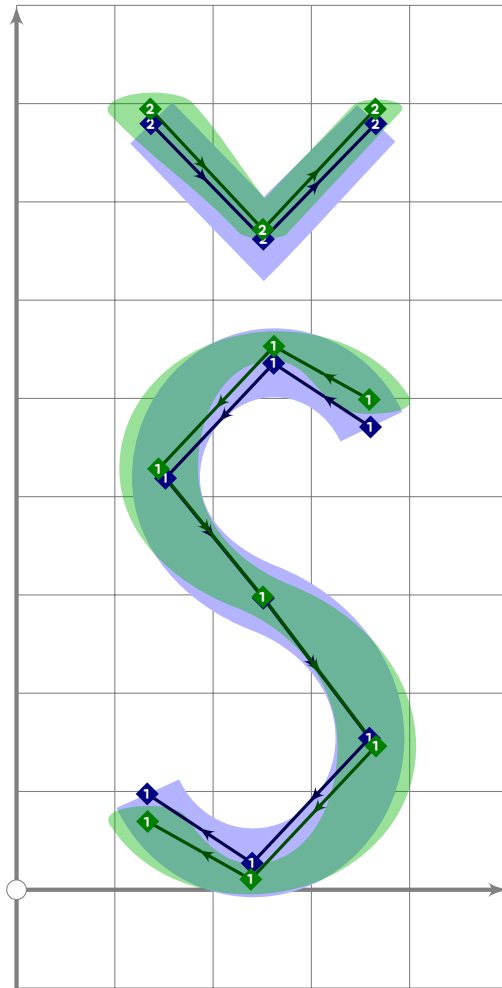


```

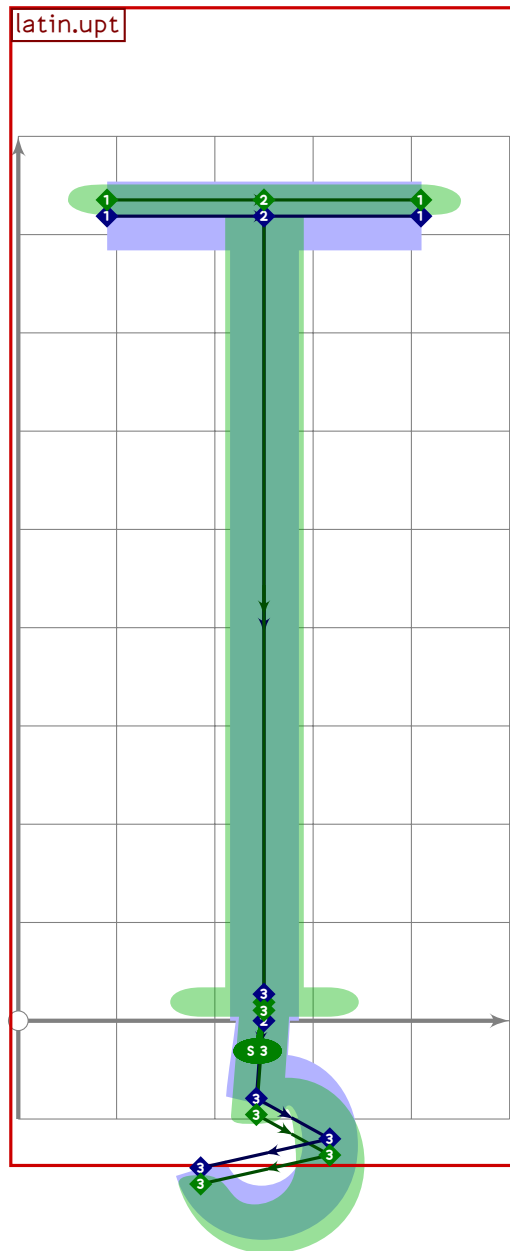
689 % S with caron
690 begintsuglyph("Scaron";96);
691   tsu_accent.capital(caron)(tsu_curve.latin.ups);
692   tsu_render;
693 endsuglyph;
694

```

latin.lows



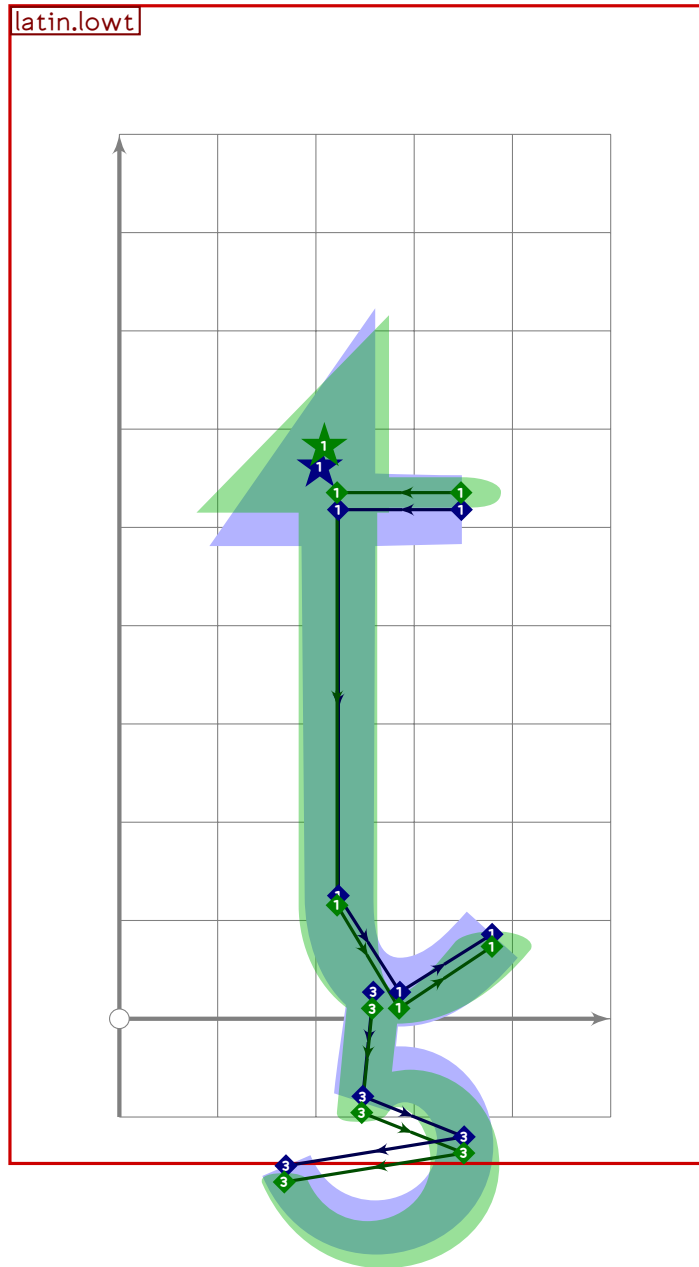
```
695 % s with caron
696 begintzuglyph("scaron";97);
697   tsu_accent.caron(tsu_curve.latin.lows);
698   tsu_render;
699 endtsuglyph;
700
```

```

701 % T with cedilla [sic]
702 beginsuglyph("uni0162";98);
703   tsu_accent.cedilla(tsu_curve.latin.upt);
704   tsu_render;
705 endsuglyph;
706

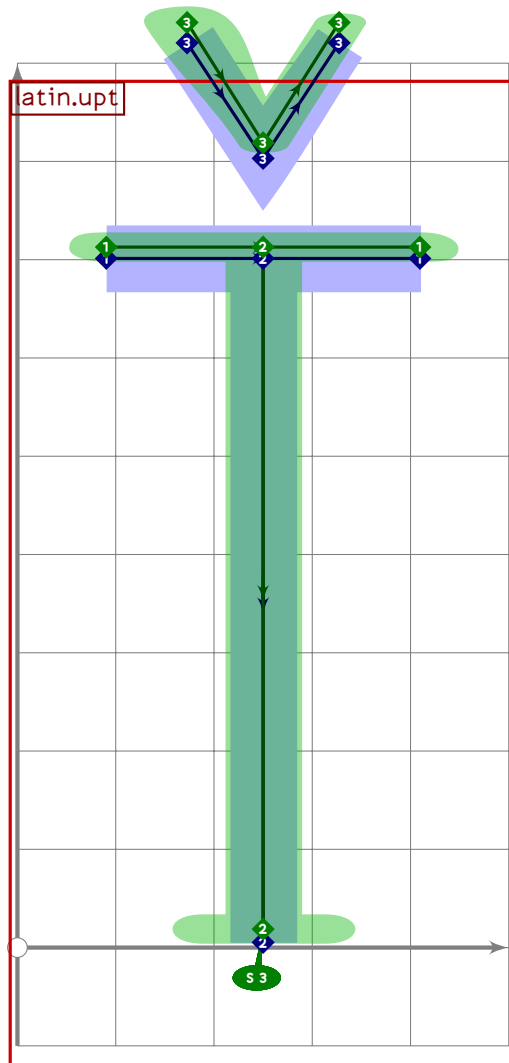
```



```

707 % t with cedilla [sic]
708 begint Suglyph("uni0163";99);
709 tsu_accent.cedilla(tsu_curve.latin.lowt);
710 bp[sp-1]:=bp[sp-1] shifted (20,0);
711 tsu_render;
712 endtsuglyph;
713

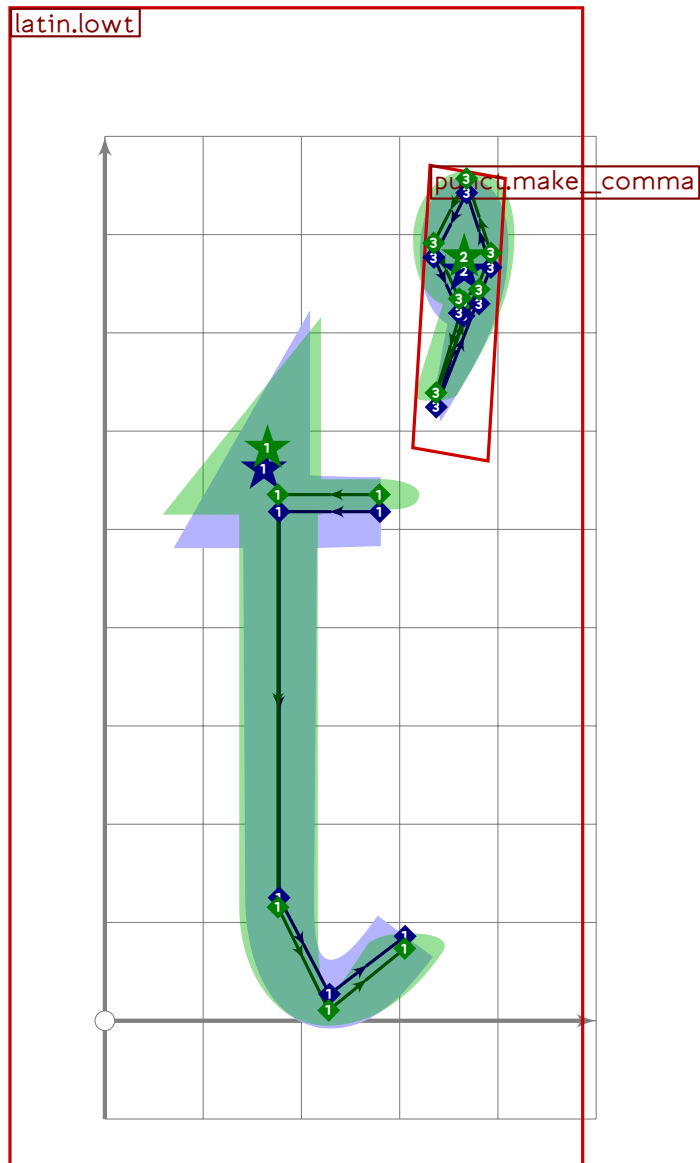
```



```

714 % T with caron
715 begintsuglyph("Tcaron";100);
716   tsu_accent.capital(caron)(tsu_curve.latin.upt);
717   tsu_render;
718 endsuglyph;
719

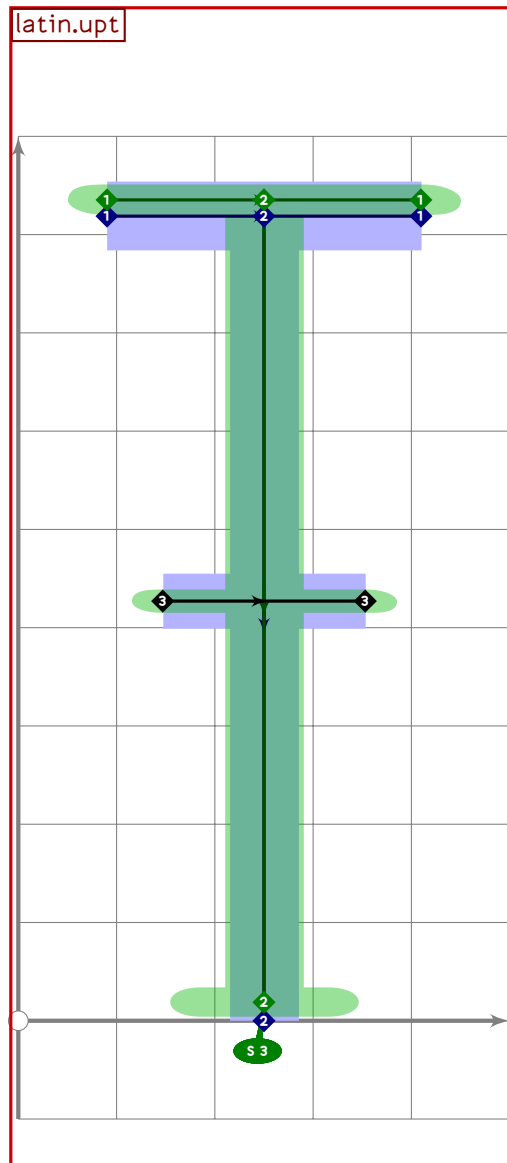
```



```

720 % t with apostrophe caron
721 begint Suglyph("tcaron",101);
722 tsu_accent.caron_apostrophe(-130)(tsu_curve.latin.lowt);
723 tsu_render;
724 endtsuglyph;
725

```

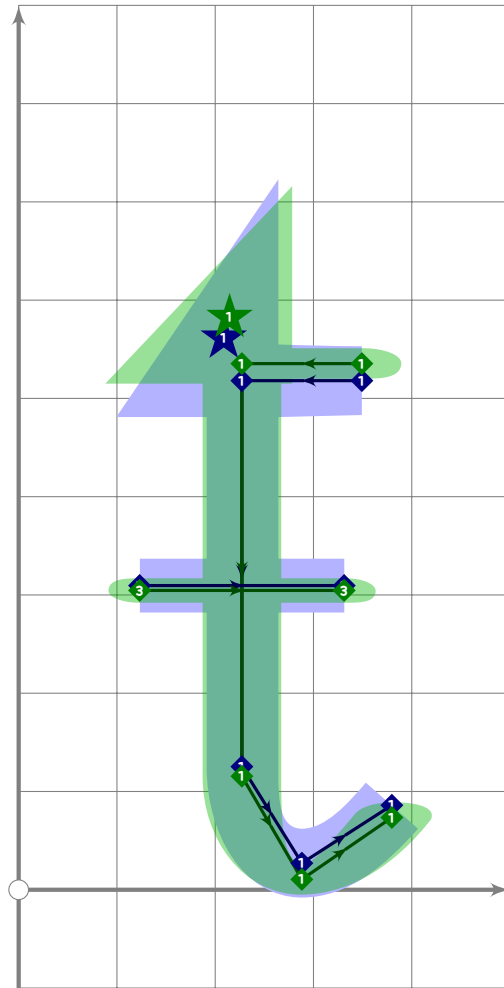


```

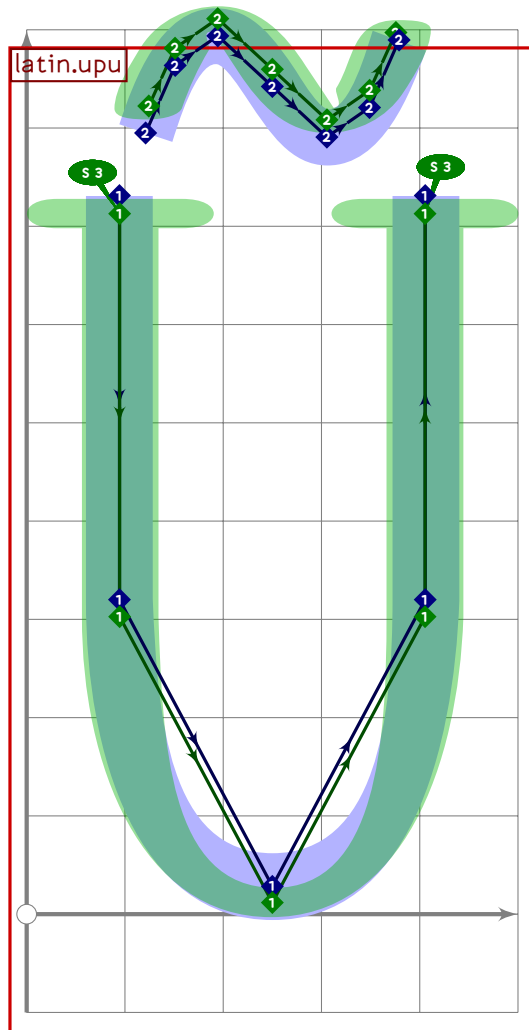
726 % T with bar
727 begintsuglyph("Tbar";102);
728 tsu_curve.latin.upt;
729 bp[sp]:=(300,vmetric(0.5))-(700,vmetric(0.5));
730 bq[sp]:=(1.6,1.6)-(1.6,1.6);
731 bo_size[sp]:=80;
732 sp:=sp*1;
733 tsu_render;
734 endtsuglyph;
735

```

latin.lowt



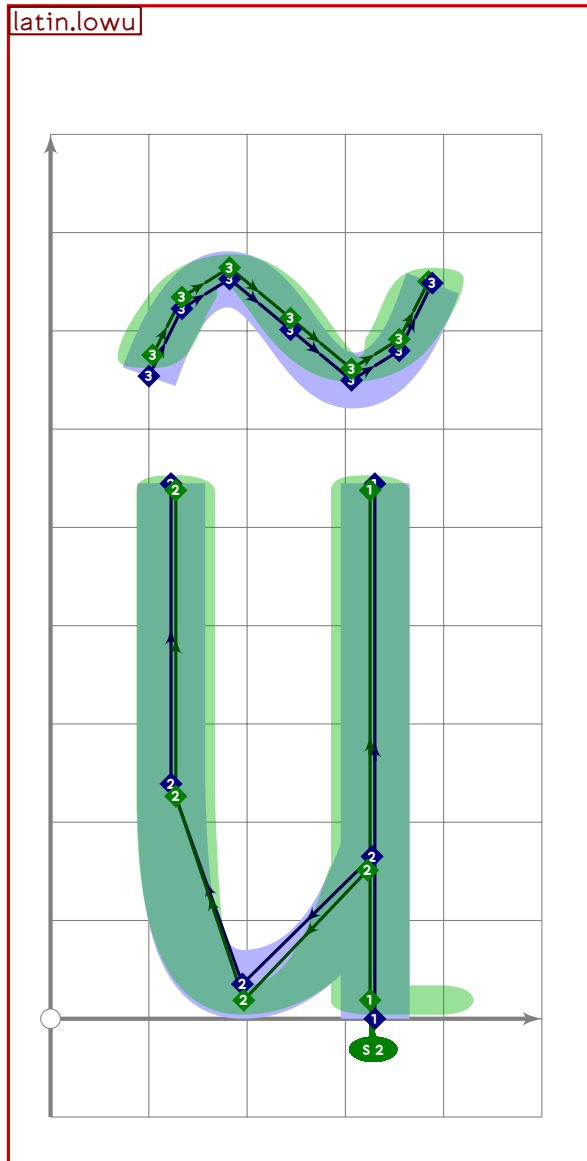
```
736 % t with bar
737 begint Suglyph("tbar",103);
738   tsu_curve.latin.lowt;
739   bp[sp]:=(320,vmetric(0.35))-(620,vmetric(0.35));
740   bq[sp]:=(1.6,1.6)-(1.6,1.6);
741   bo_size[sp]:=80;
742   sp:=sp*1;
743   tsu_render;
744   endtsuglyph;
745
```



```

746 % U with tilde
747 beginsuglyph("Utilde";104);
748   tsu_accent.capital(tilde)(tsu_curve.latin.upu);
749   tsu_render;
750 endsuglyph;
751

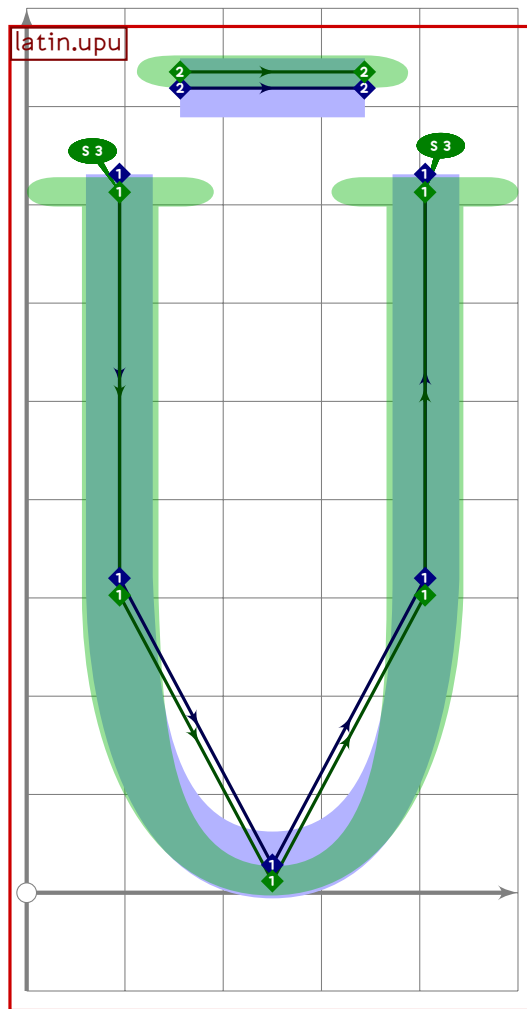
```



```

752 % u with tilde
753 begintsuglyph("utilde",105);
754 tsu_accent.tilde(tsu_curve.latin.lowu);
755 bp[sp-1]:=bp[sp-1] shifted (-20,0);
756 tsu_render;
757 endtsuglyph;
758

```

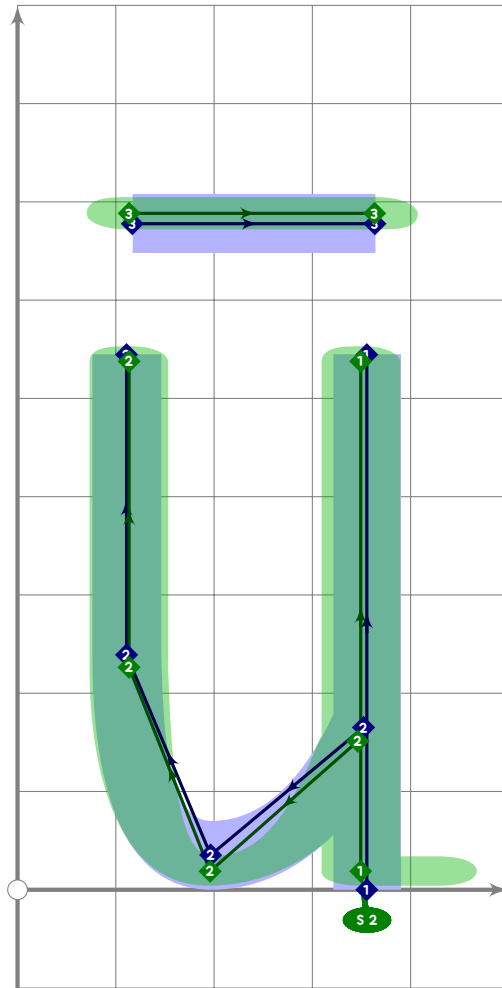



```

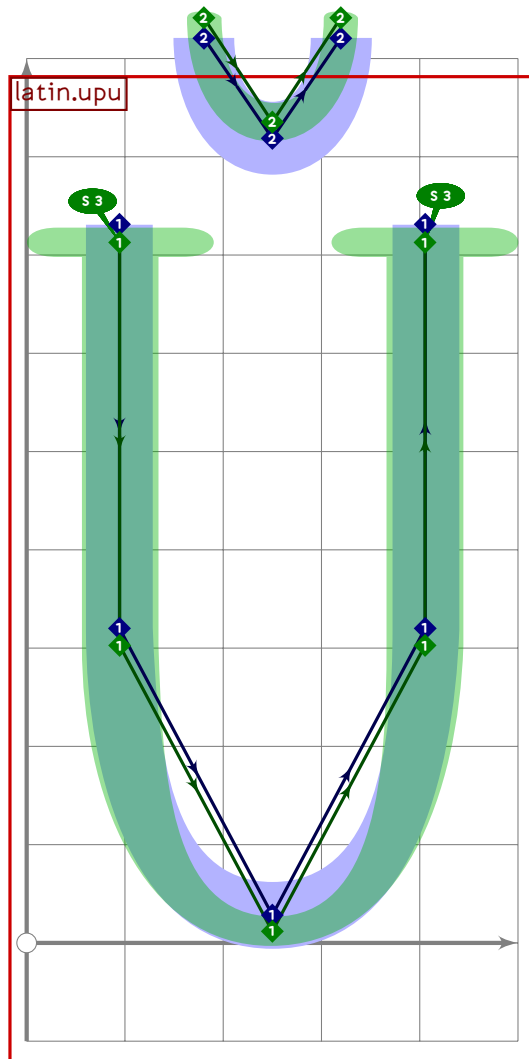
759 % U with macron
760 begintsuglyph("Umacron";106);
761 tsu_accent.capital(macron)(tsu_curve.latin.upu);
762 tsu_render;
763 endtsuglyph;
764

```

latin.lowu



```
765 % u with macron
766 begintsuglyph("umacron";107);
767 tsu_accent.macron(tsu_curve.latin.lowu);
768 bp[sp-1]:=bp[sp-1] shifted (-40,0);
769 tsu_render;
770 endtsuglyph;
771
```

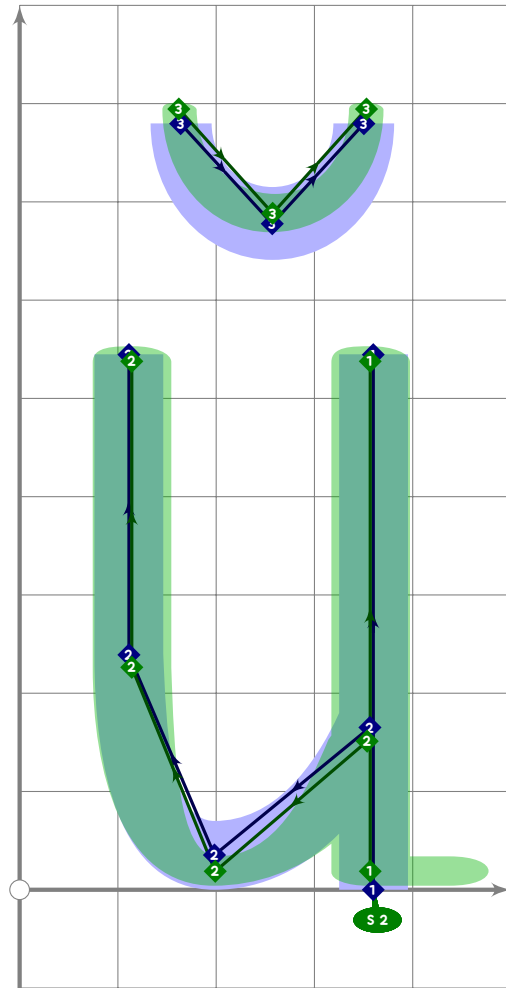


```

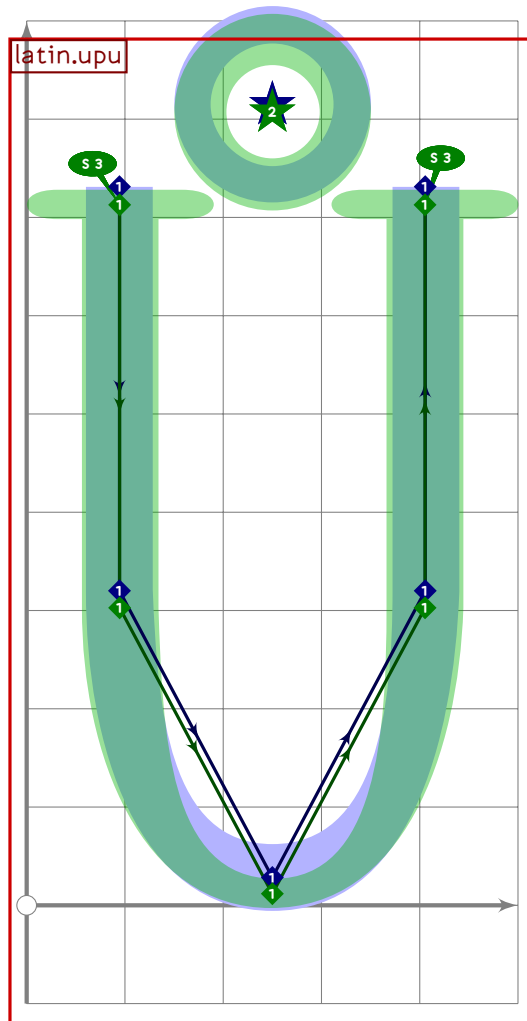
772 % U with breve
773 beginsuglyph("Ubreve";108);
774 tsu_accent.capital(breve)(tsu_curve.latin.upu);
775 tsu_render;
776 endsuglyph;
777

```

latin.lowu



```
778 % u with breve
779 begintsuglyph("ubreve",109);
780 tsu_accent.breve(tsu_curve,latin.lowu);
781 bp[sp-1]:=bp[sp-1] shifted (-20,0);
782 tsu_render;
783 endtsuglyph;
784
```

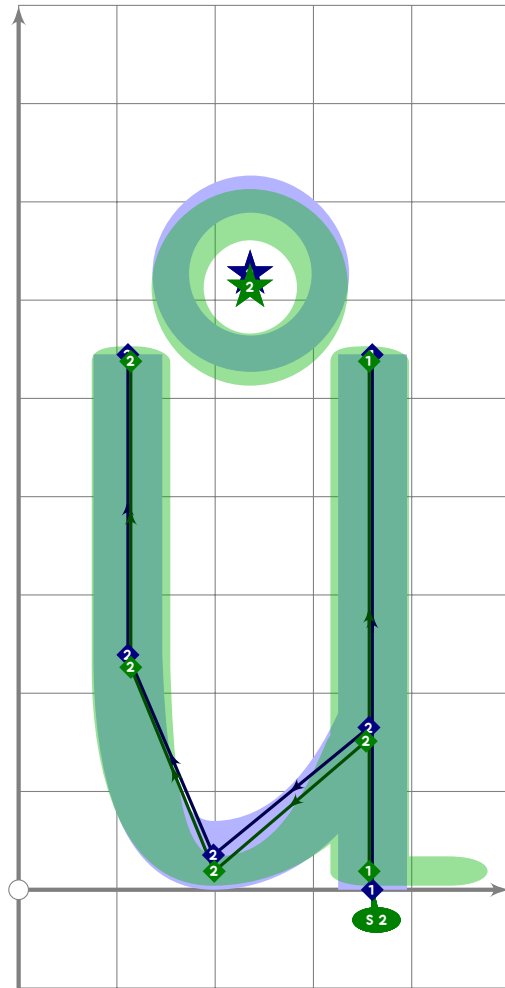


```

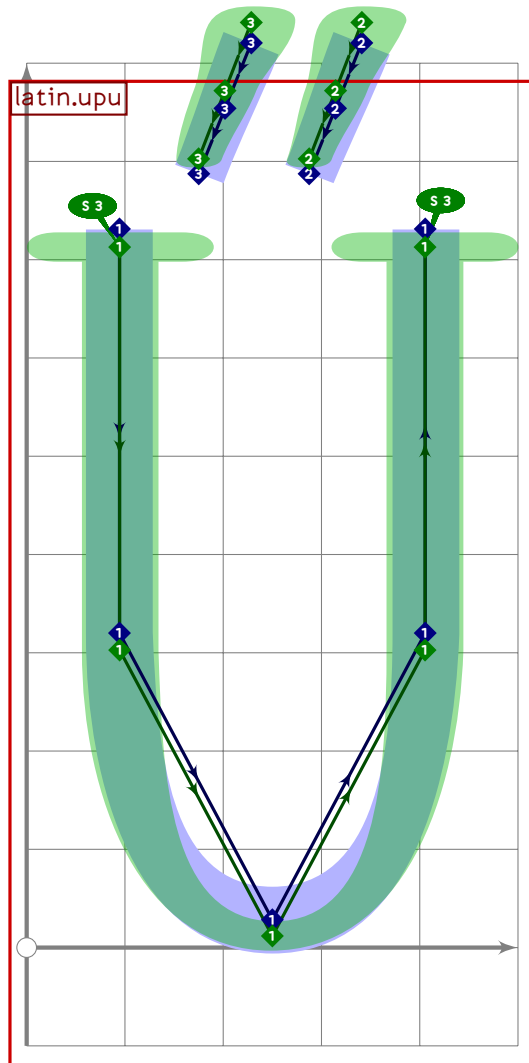
785 % U with ring above
786 begintsuglyph("Uring",110);
787 tsu_accent.capital(ringabove)(tsu_curve.latin.upu);
788 tsu_render;
789 endsuglyph;
790

```

latin.lowu



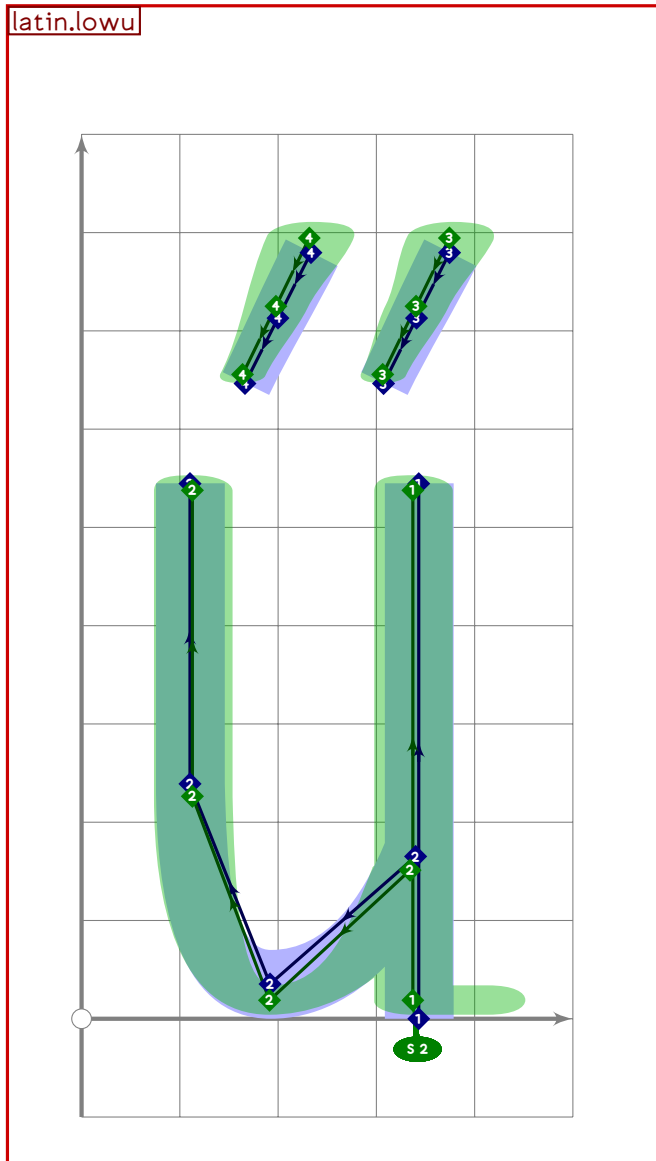
```
791 % u with ring above
792 begint Suglyph("uring",111);
793 tsu_accent.ringabove(tsu_curve.latin.lowu);
794 lcblob1=lcblob1 shifted (-50;40);
795 lcblob2=lcblob2 shifted (-50;40);
796 tsu_render;
797 endtsuglyph;
798
```



```

799 % U with Hungarian umlaut
800 \begintsuglyph{"Uhungarumlaut";112};
801   \tsu_accent.capital(hungarian_umlaut)(tsu_curve.latin.upu);
802   \tsu_render;
803 \endtsuglyph;
804

```



```

805 % u with Hungarian umlaut
806 begintsuglyph("uhungarumlaut";113);
807 tsu_accent.hungarian_umlaut(tsu_curve.latin.lowu);
808 tsu_render;
809 endtsuglyph;
810
811 % U with ogonek
812 begintsuglyph("Uogonek";114);
813 tsu_curve.latin.upuogonek;
814 tsu_render;
815 endtsuglyph;
816
817 % u with ogonek
818 begintsuglyph("uogonek";115);
819 tsu_curve.latin.lowuogonek;
820 tsu_render;

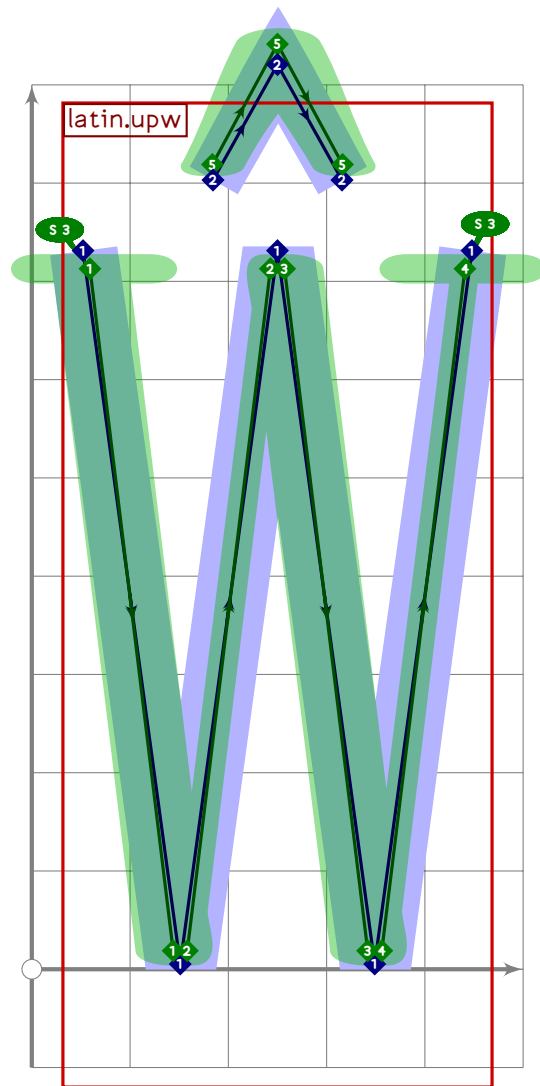
```

[see page 240]

[see page 246]

821 endtsuglyph;

822



823 % W with circumflex

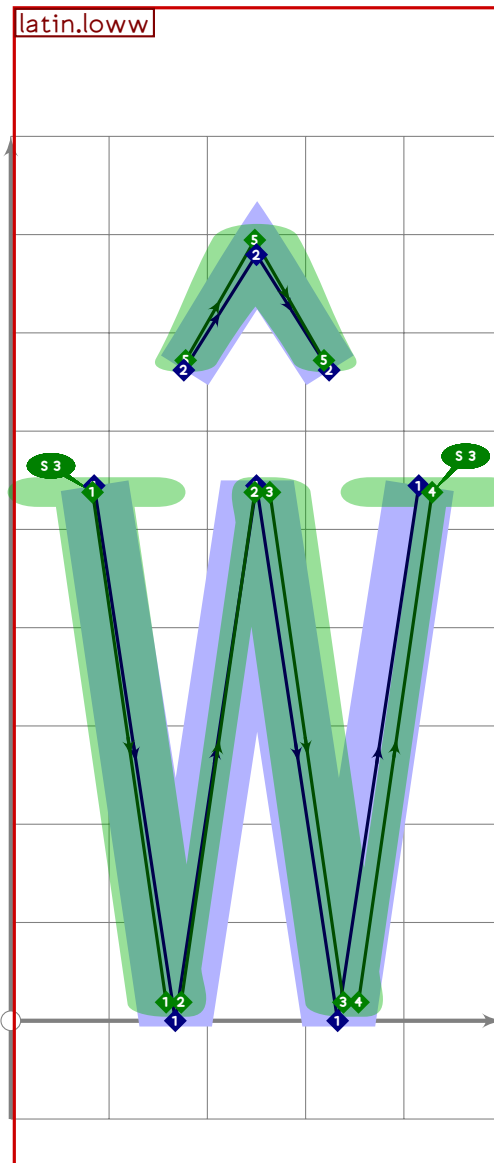
824 `begintsuglyph("Wcircumflex",116);`

825 `tsu_accent.capital(circumflex)(tsu_curve.latin.upw);`

826 `tsu_render;`

827 `endtsuglyph;`

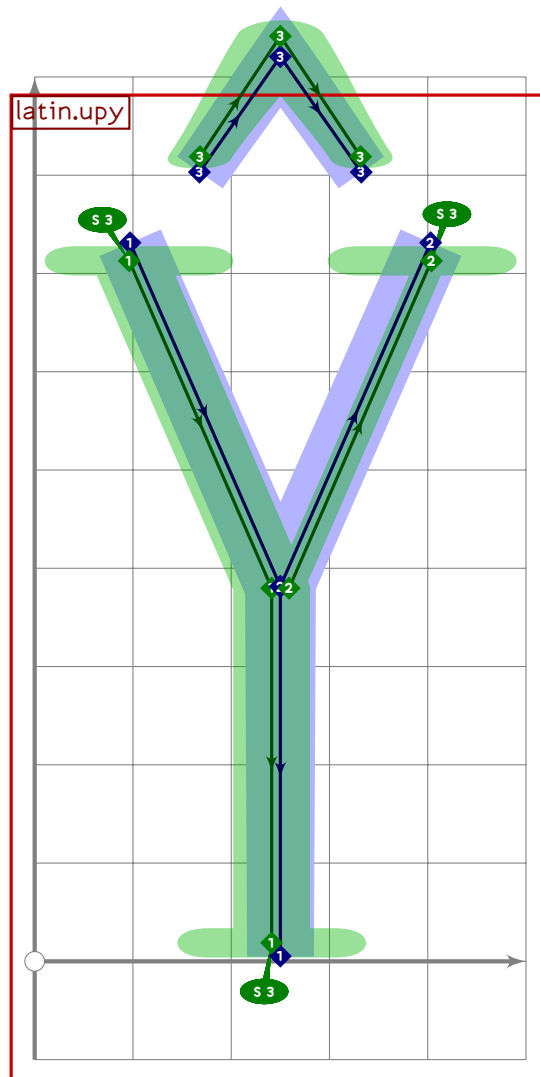
828



```

829 % w with circumflex
830 begint Suglyph("wcircumflex";117);
831   tsu_accent.circumflex(tsu_curve.latin.loww);
832   tsu_render;
833 endtsuglyph;
834

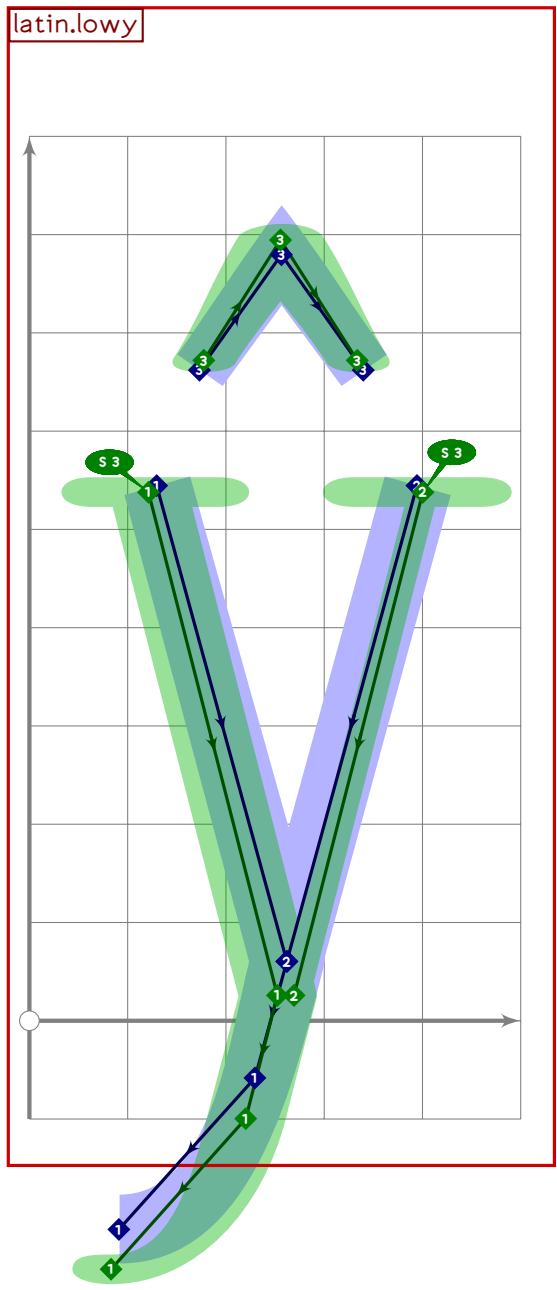
```



```

835 % Y with circumflex
836 begintsuglyph("Ycircumflex";118);
837   tsu_accent.capital(circumflex)(tsu_curve.latin.upy);
838   tsu_render;
839 endsuglyph;
840

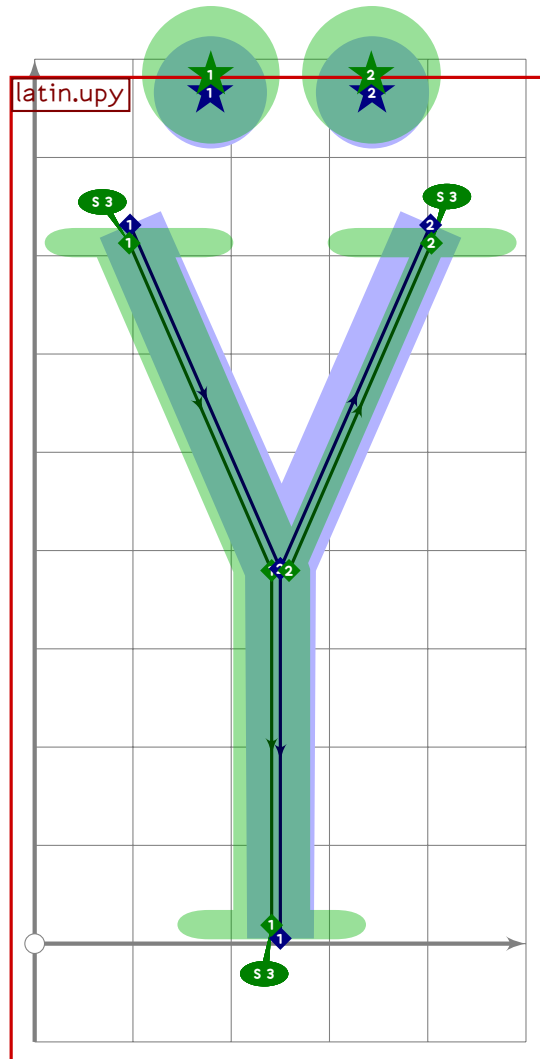
```



```

841 % y with circumflex
842 begintsuglyph("ycircumflex",119);
843 tsu_accent.circumflex(tsu_curve.latin.lowy);
844 tsu_render;
845 endtsuglyph;
846

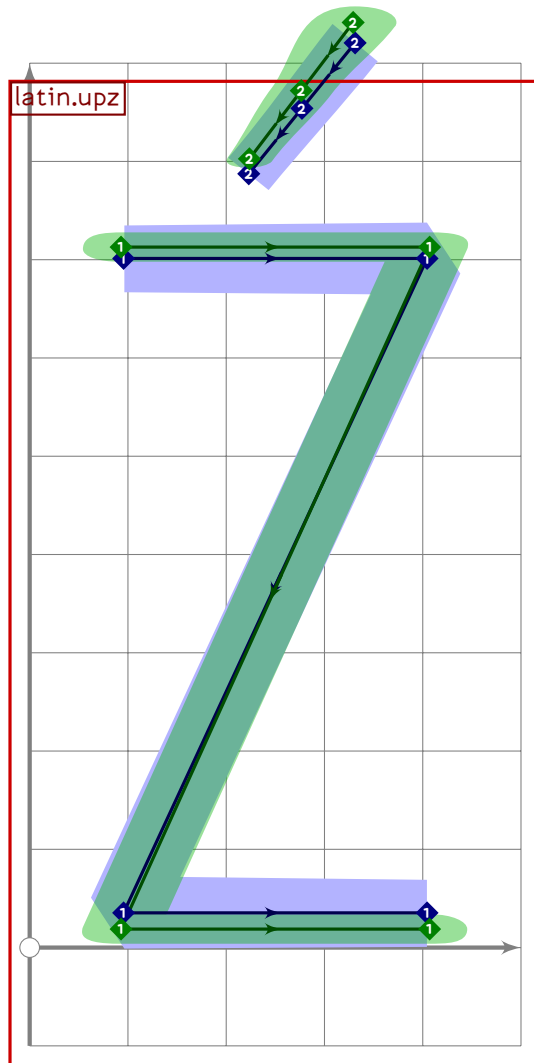
```



```

847 % Y with umlaut/dieresis
848 begintsuglyph("Ydieresis",120);
849 tsu_accent.capital(umlaut)(tsu_curve.latin.upy);
850 tsu_render;
851 endsuglyph;
852

```

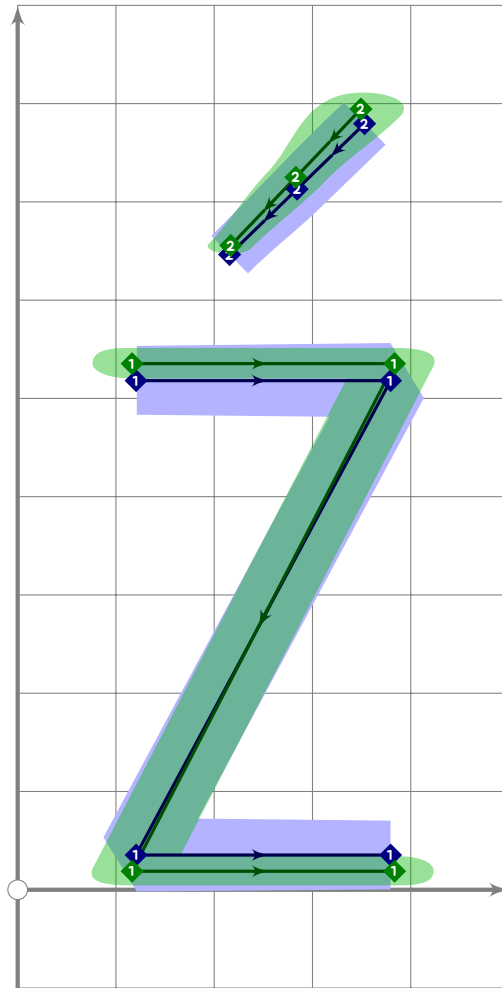


```

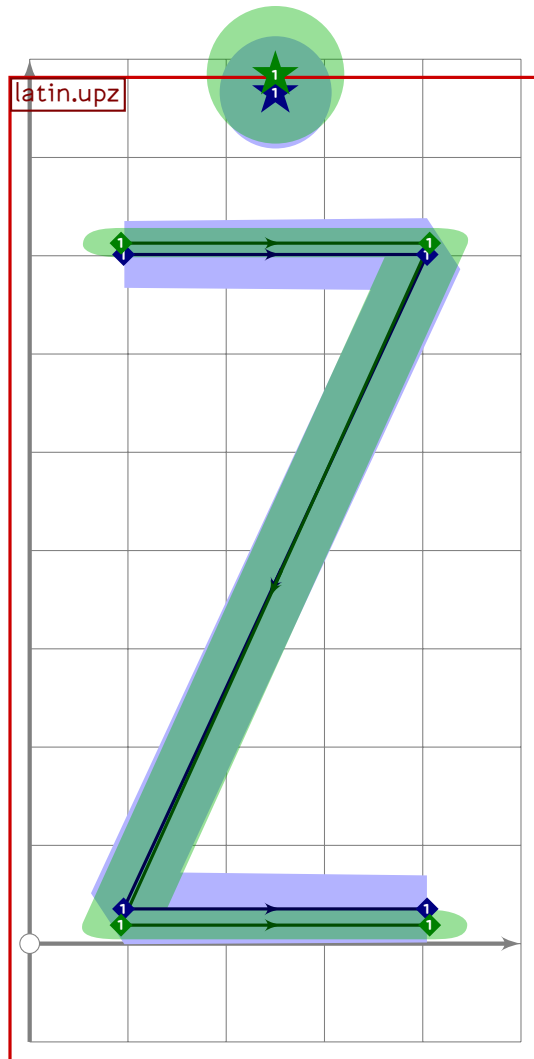
853 % Z with acute
854 begintsuglyph("Zacute";121);
855 tsu_accent.capital(acute)(tsu_curve.latin.upz);
856 tsu_render;
857 endsuglyph;
858

```

latin.lowz



```
859 % z with acute
860 begint Suglyph("zacute",122);
861   tsu_accent.acute(tsu_curve.latin.lowz);
862   tsu_render;
863 endtsuglyph;
864
```

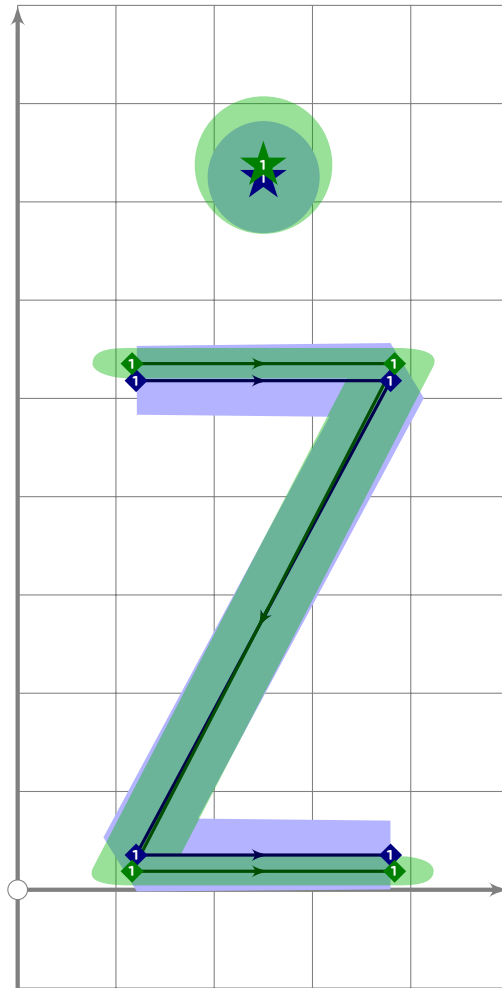


```

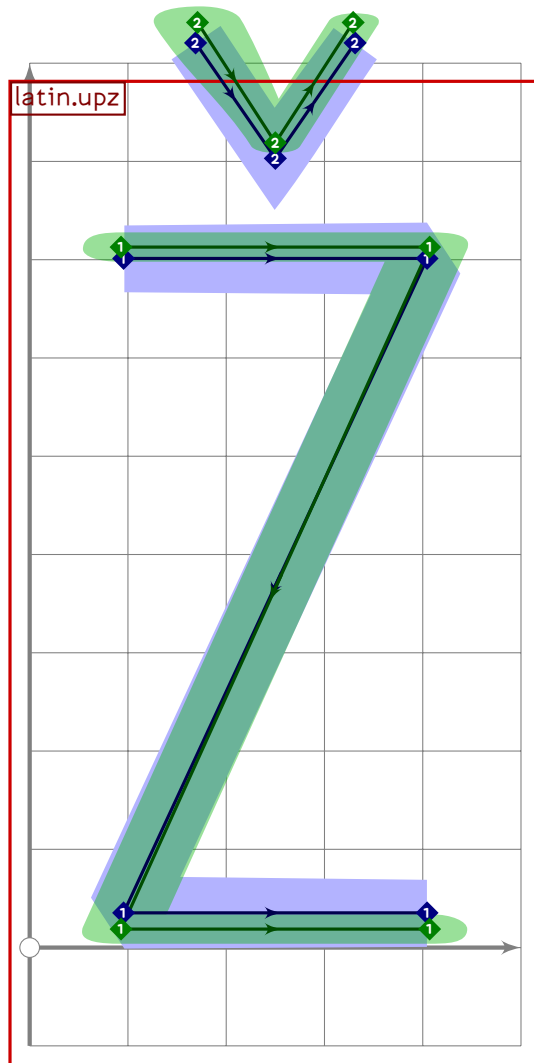
865 % Z with dot
866 begintsuglyph("Zdotaccent",123);
867 tsu_accent.capital(dotabove)(tsu_curve.latin.upz);
868 tsu_render;
869 endsuglyph;
870

```


latin.lowz



```
871 % z with dot
872 begintsuglyph("zdotaccent";124);
873 tsu_accent.dotabove(tsu_curve.latin.lowz);
874 tsu_render;
875 endsuglyph;
876
```

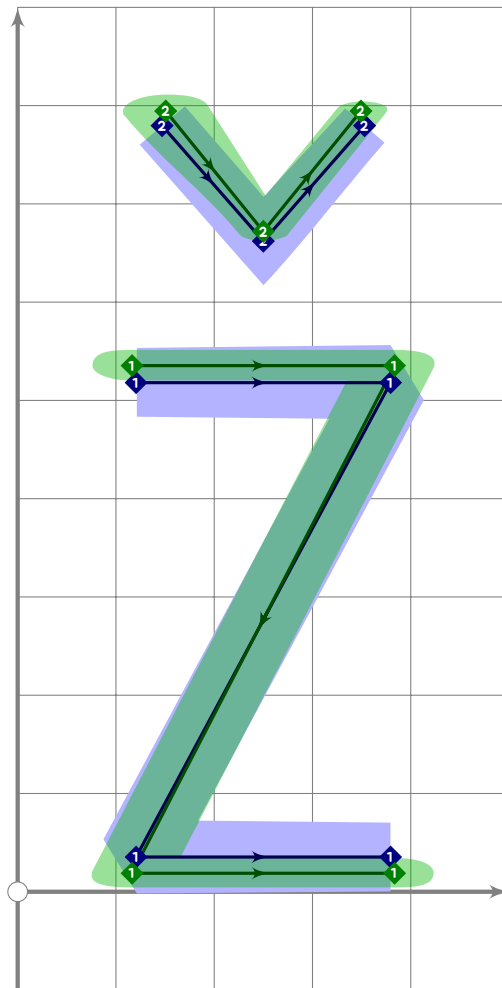


```

877 % Z with caron
878 begintsuglyph("Zcaron";125);
879 tsu_accent.capital(caron)(tsu_curve.latin.upz);
880 tsu_render;
881 endsuglyph;
882

```

latin.lowz



```
883 % z with caron
884 begintsuglyph("zcaron",126);
885 tsu_accent.caron(tsu_curve.latin.lowz);
886 tsu_render;
887 endsuglyph;
888
889 % long s
890 begintsuglyph("longs",127);
891 tsu_curve.latin.lowlongs;
892 tsu_render;
893 endsuglyph;
894
895
896
897 endfont;
898
```

[see page 213]

tsuku-02.mp

```
1 %
2 % Unicode page 02 (Spacing Modifier Letters) for Tsukurimashou
3 % Copyright (C) 2011 Matthew Skala
4 %
5-29 [Standard copyright notice]
30
31 

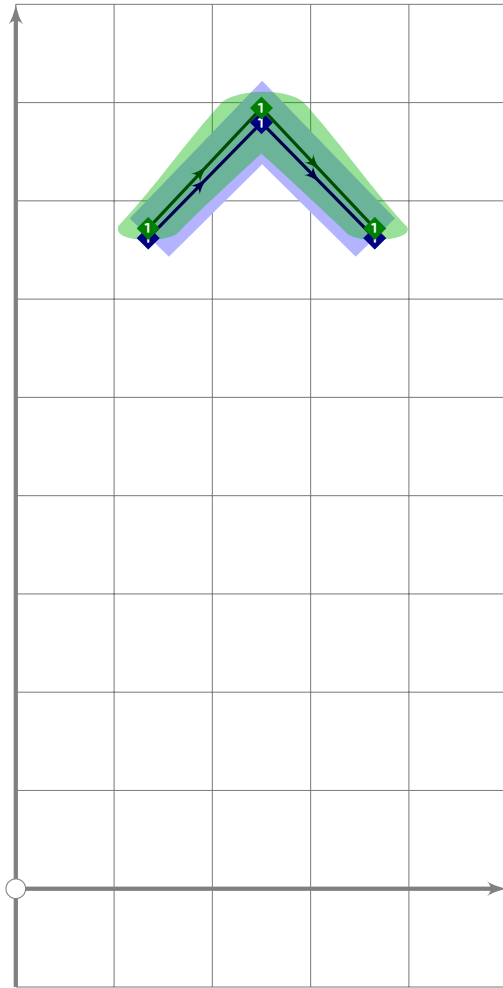
---


32
33 beginfont
34
35 input latin-intro.mp;
36
37 % AUTODEPS
38 input accent.mp;
39 input latin.mp;
40 input ogonek.mp;
41
42 

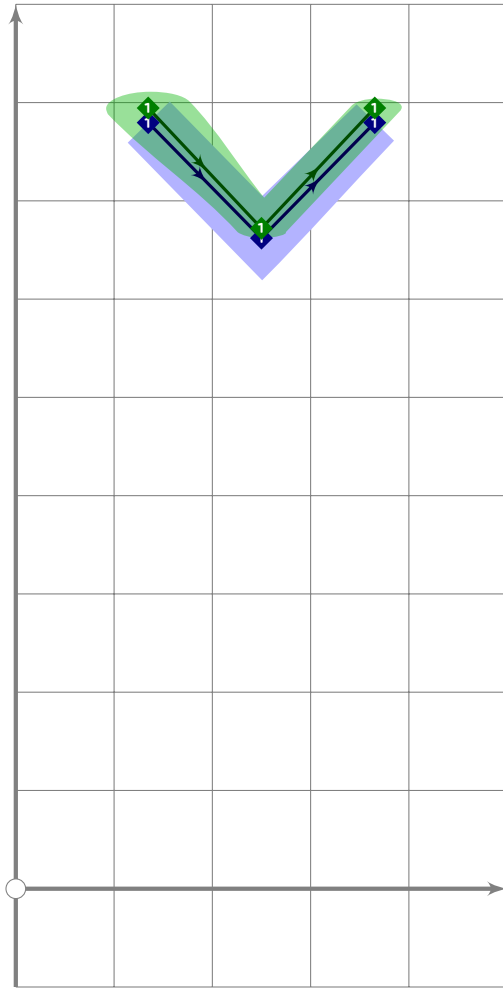
---


43
44 % SPACING MODIFIER LETTERS
45
46 tsu_rescale_half;
47
```

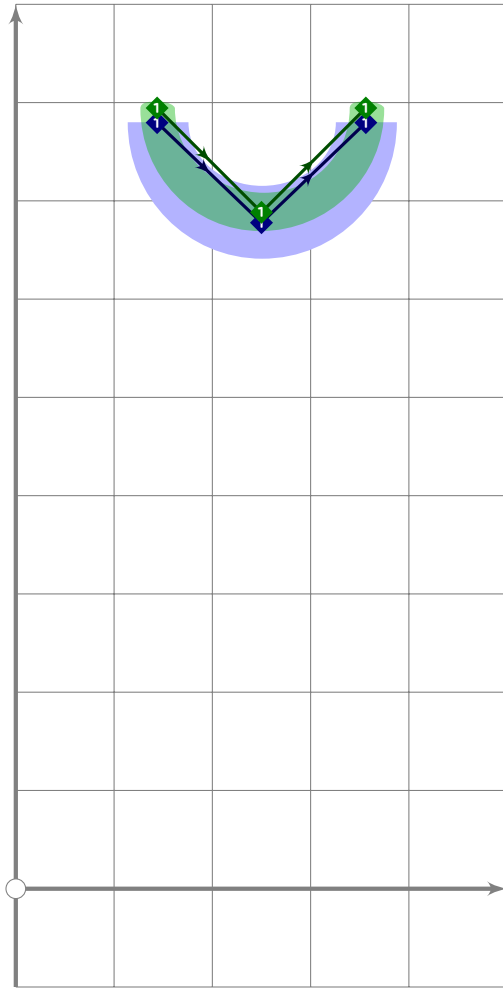
Spacing Modifier Letters



```
48 % circumflex accent
49 begint Suglyph("circumflex",198);
50   tsu_accent.circumflex();
51   tsu_render;
52 endtsuglyph;
53
```

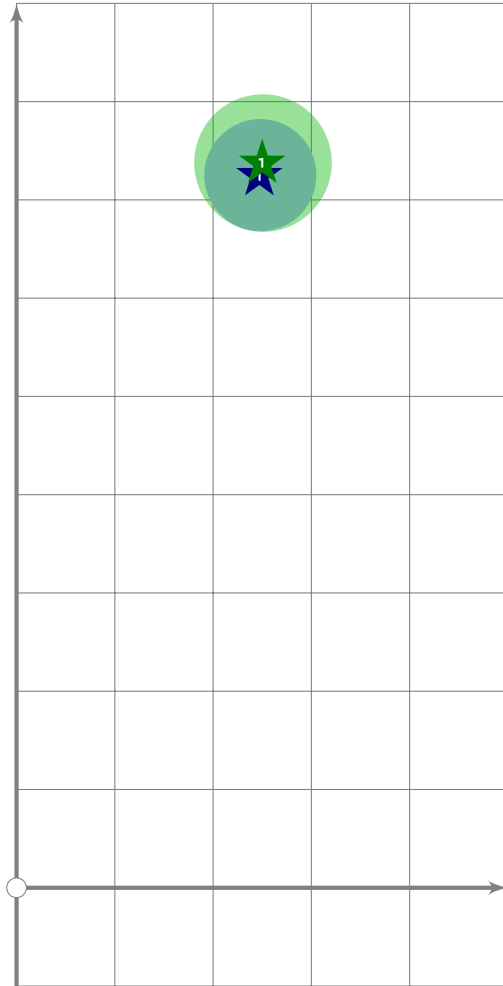


```
54 % caron
55 begint Suglyph("caron",199);
56 tsu_accent.caron();
57 tsu_render;
58 endtsuglyph;
59
```



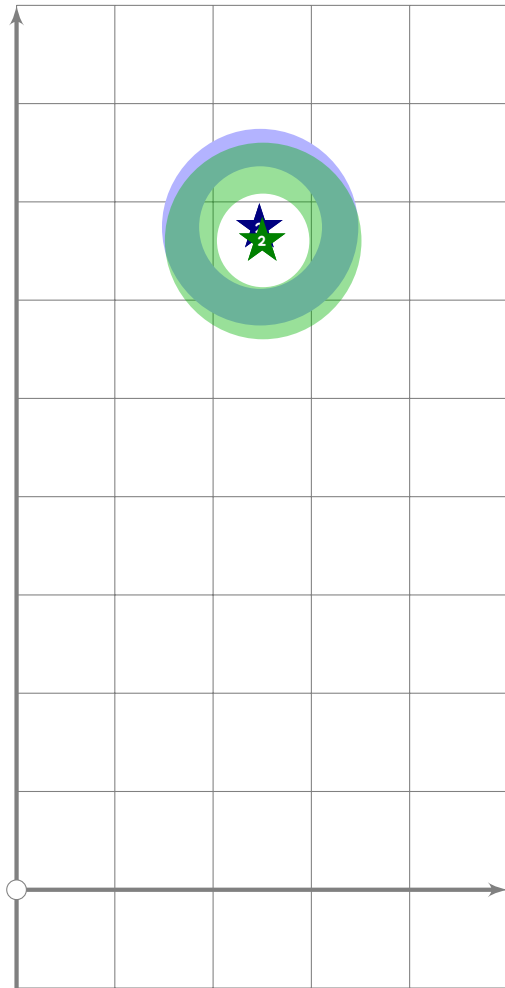
```
60 % breve
61 begintsuglyph("breve";216);
62 tsu_accent.breve();
63 tsu_render;
64 endtsuglyph;
65
```


latin.lowe



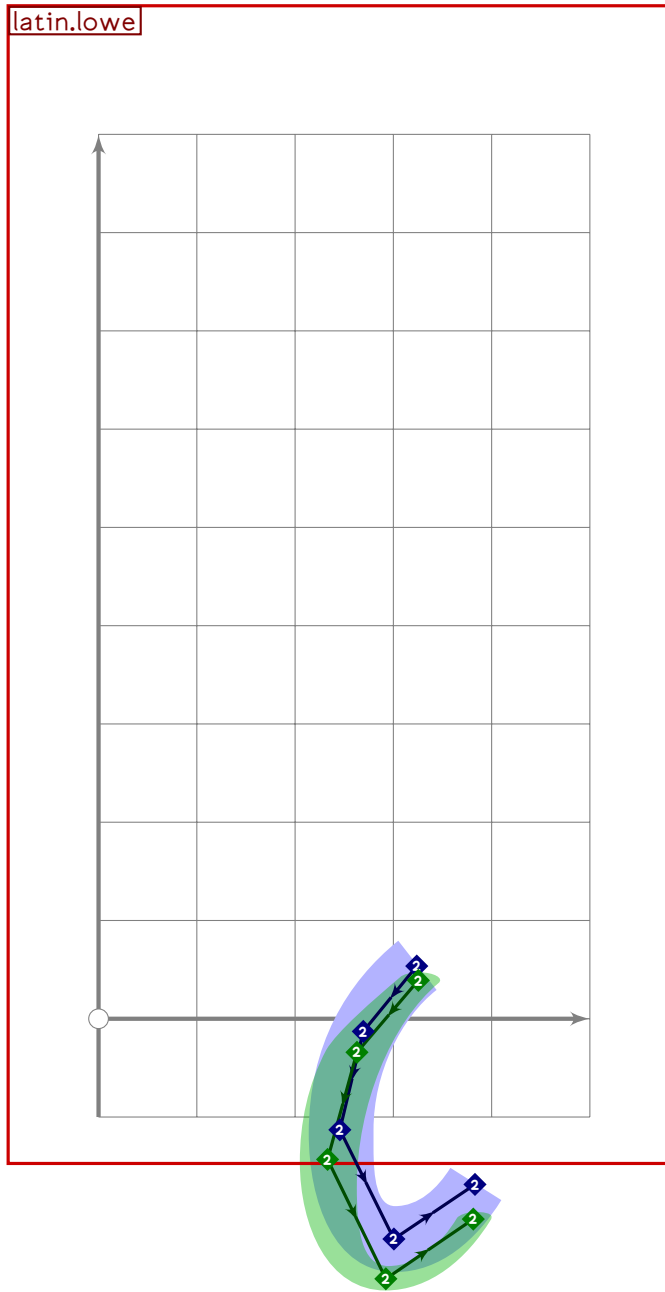
```
66 % dot above
67 beginsuglyph("dotaccent",217);
68 tsu_accent.dotabove(tsu_curve.latin.lowe);
69 bo_size[sp-1]=0;
70 tsu_render;
71 endsuglyph;
72
```

latin.low

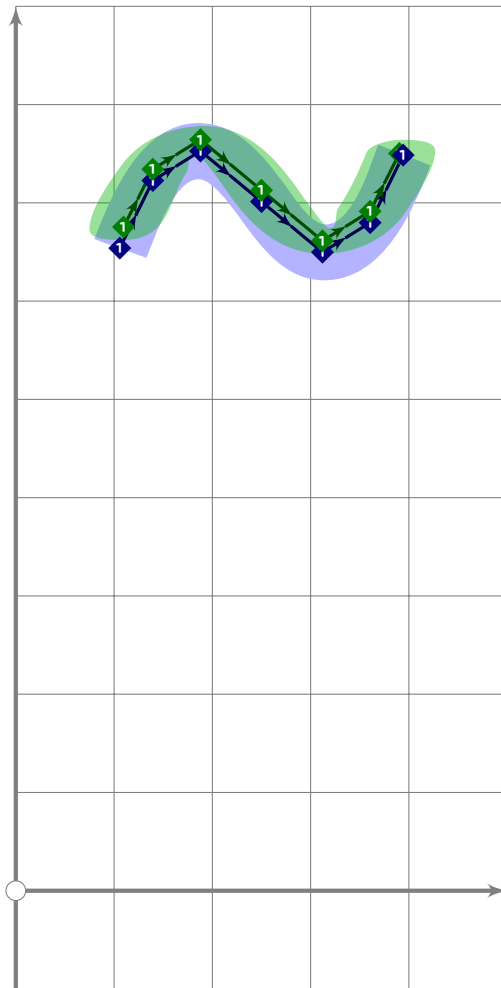


```
73 % ring above
74 begintsuglyph("ring";218);
75 tsu_accent.ringabove(tsu_curve.latin.low);
76 bo_size[sp-1]=0;
77 tsu_render;
78 endtsuglyph;
79
```

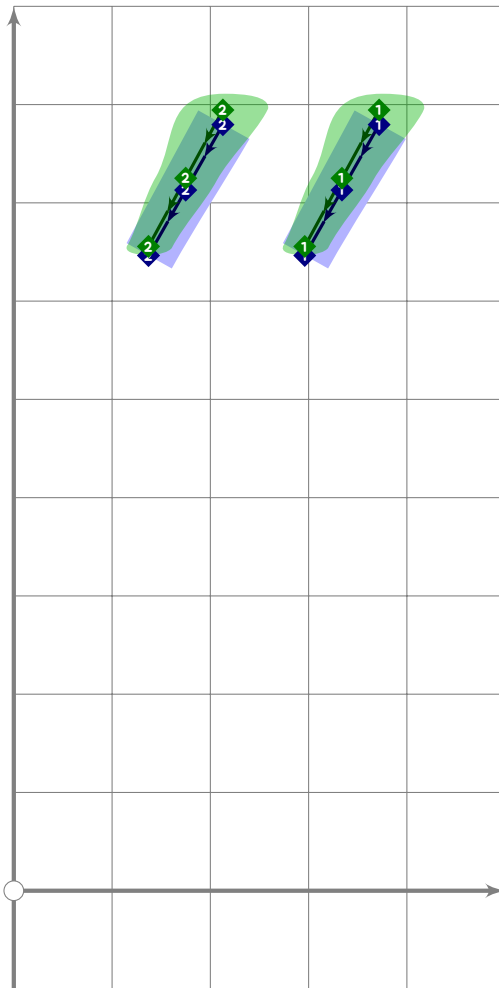
latin.lowe



```
80 % ogonek
81 begint Suglyph("ogonek",219);
82 tsu_curve.latin.loweogonek;
83 bo_size[sp-2]:=0;
84 tsu_render;
85 endtsuglyph;
86
```



```
87 % small tilde
88 begint Suglyph("tilde",220);
89   tsu_accent.tilde();
90   tsu_render;
91 endsuglyph;
92
```



```

93 % double acute accent
94 begintsuglyph("hungarumlaut";221);
95 tsu_accent.hungarian_umlaut();
96 tsu_render;
97 endsuglyph;
98
99 _____
100
101 endfont;
102
103 _____

```

tsuku-20.mp

```
1 %
2 % Unicode page 20 (Punctuation) for Tsukurimashou
3 % Copyright (C) 2011 Matthew Skala
4 %
5-29 [Standard copyright notice]
30
31 

---


32
33 beginfont
34
35 input latin-intro.mp;
36
37 % AUTODEPS
38 input punct.mp;
39
40 

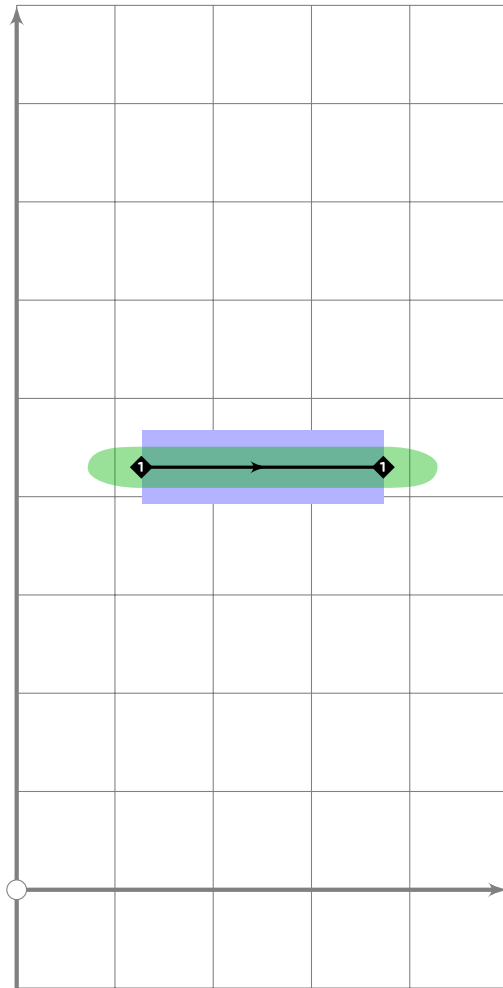
---


41
```

General Punctuation

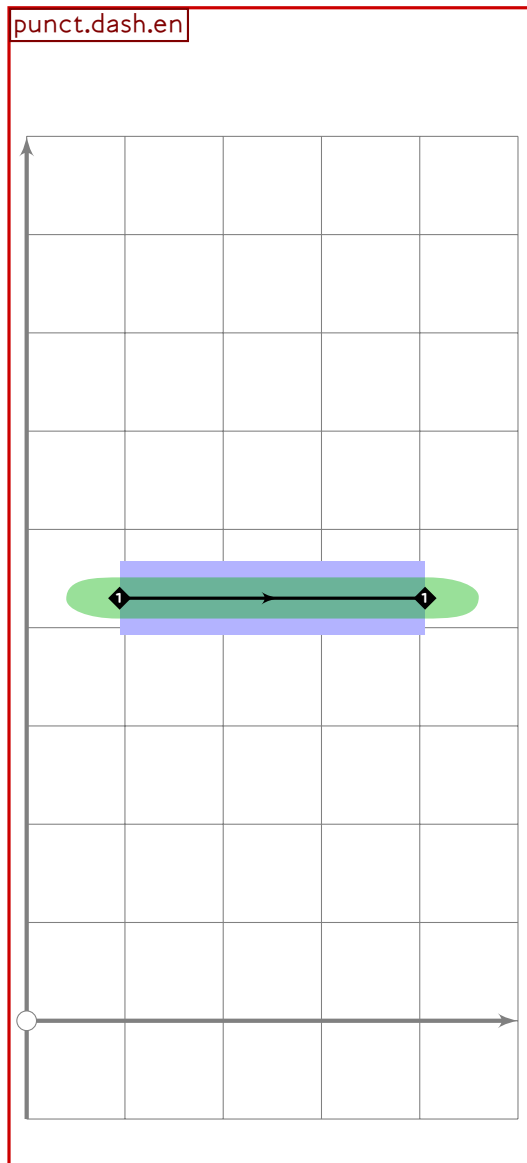
```
42 % GENERAL PUNCTUATION
43
44 % WARNING changing rescale setting
45 tsu\_rescale\_half;
46
47 % hyphen
48 begintsuglyph\("uni2010";16\); [see page 263]
49 tsu\_curve.punct.dash.hyphen;
50 tsu\_render;
51 endtsuglyph;
52
```

punct.dash.hyphen



```
53 % non-breaking hyphen
54 begintsuglyph("uni2011",17);
55 tsu_curve.punct.dash.hyphen;
56 tsu_render;
57 endtsuglyph;
58
59 % figure dash
60 begintsuglyph("figuredash",18);
61 tsu_curve.punct.dash.en;
62 tsu_render;
63 endtsuglyph;
64
```

[see page 262]

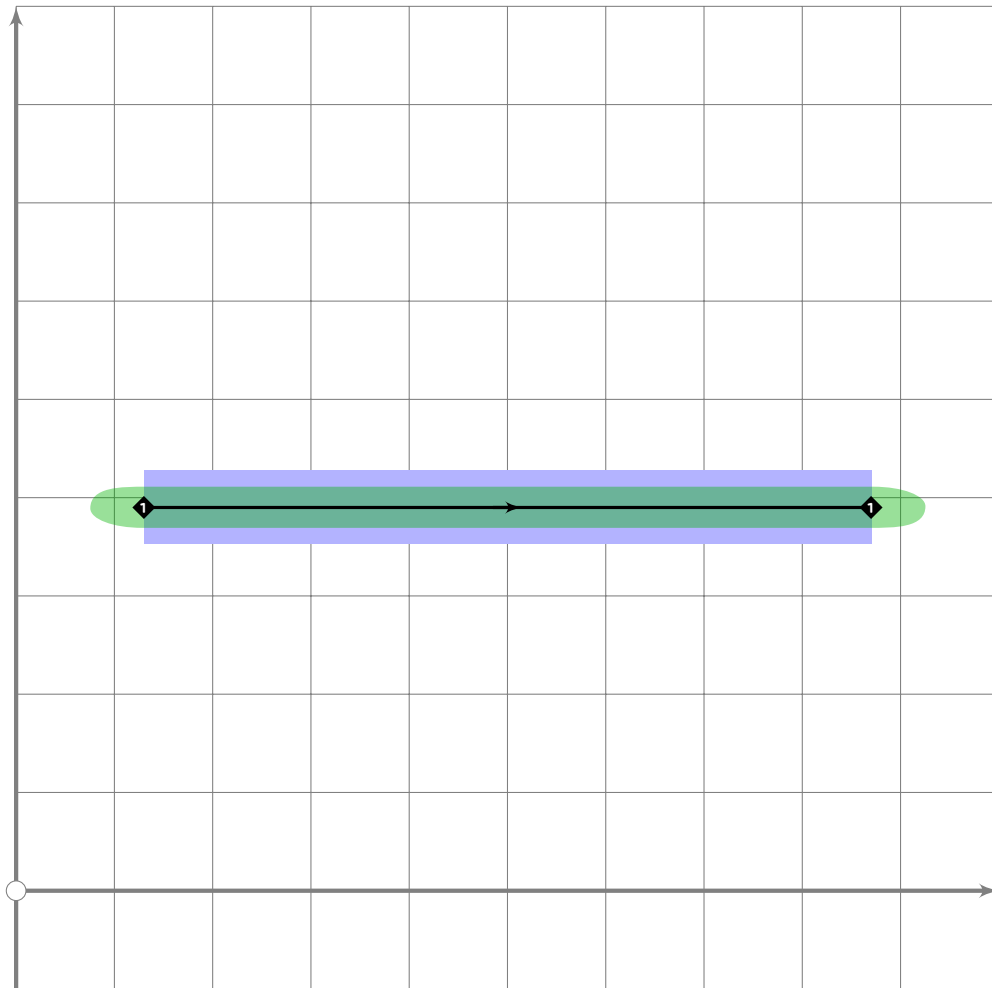


```

65 % en dash
66 begintsuglyph("endash";19);
67 tsu_curve.punct.dash.en;
68 tsu_render;
69 endtsuglyph;
70
71 % WARNING changing rescale setting
72 tsu_rescale_full;
73
74 % em dash
75 begintsuglyph("emdash";20);
76 tsu_curve.punct.dash.em;
77 tsu_render;
78 endtsuglyph;
79

```

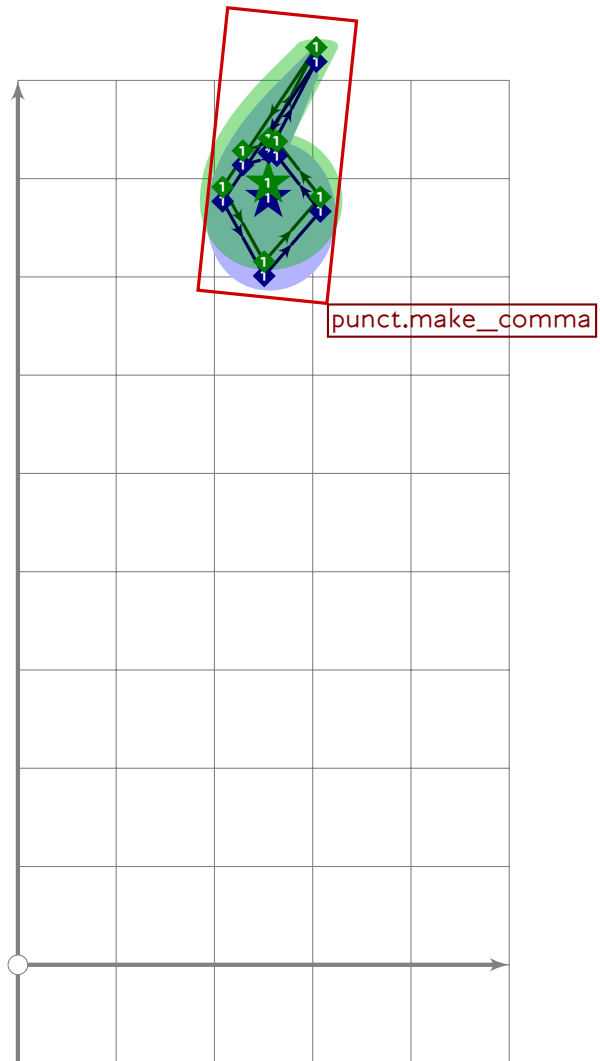
[see page 261]



```

80 % horizontal bar
81 begintsuglyph("uni2015";21);
82 bp1:=(130,390)-(870,390);
83 bq1:=(2,2)-(2,2);
84 sp:=2;
85 tsu_render;
86 endtsuglyph;
87
88 % WARNING changing rescale setting
89 tsu_rescale_half;
90

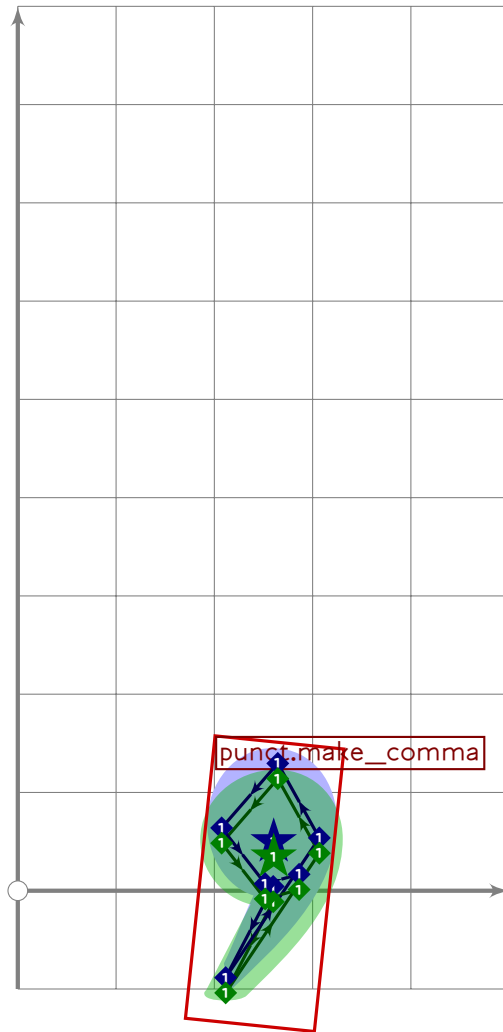
```



```

91 % high-6
92 begintsuglyph("quoteleft",24);
93 tsu_curve.punct.make_comma((520,vmetric(0.94)),180);
94 tsu_render;
95 endtsuglyph;
96

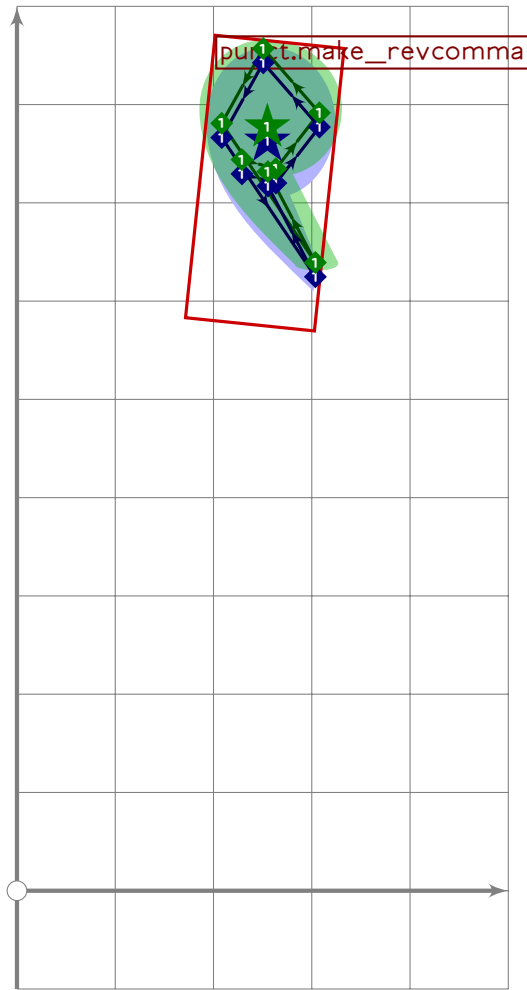
```

```

103 % low-9
104 beginsuglyph("quotesinglbase";26);
105   tsu_curve.punct.make_comma((520,vmetric(0.03)),0);
106   tsu_render;
107 endsuglyph;
108

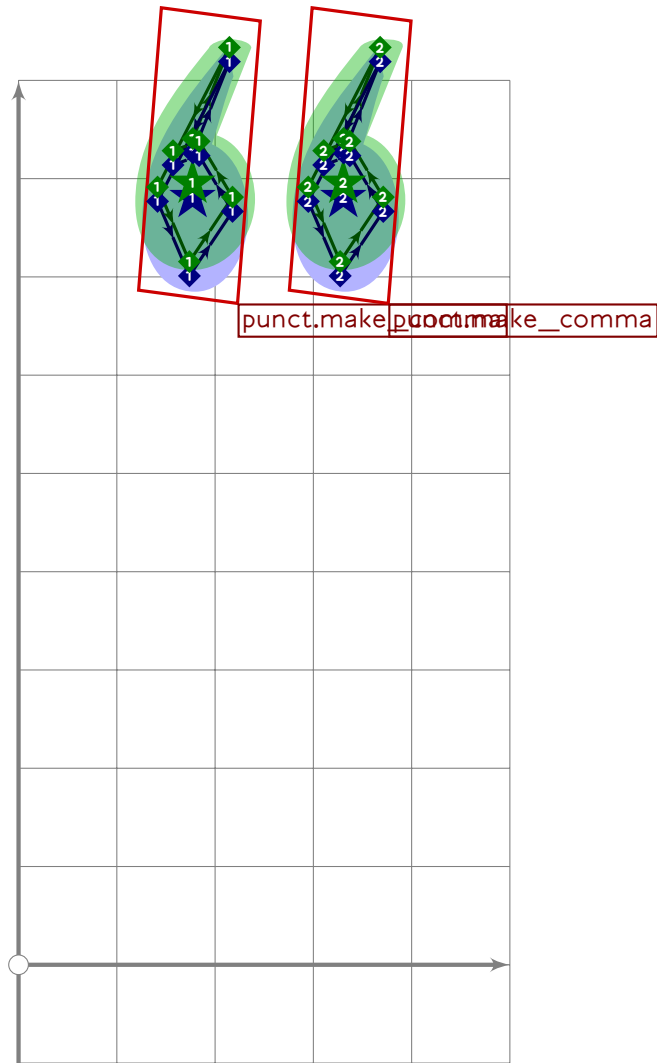
```



```

109 % high-rev-9
110 begint Suglyph("quotereversed";27);
111 tsu_curve.punct.make_revcomma((520,vmetric(0.94)),0);
112 tsu_render;
113 endtsuglyph;
114

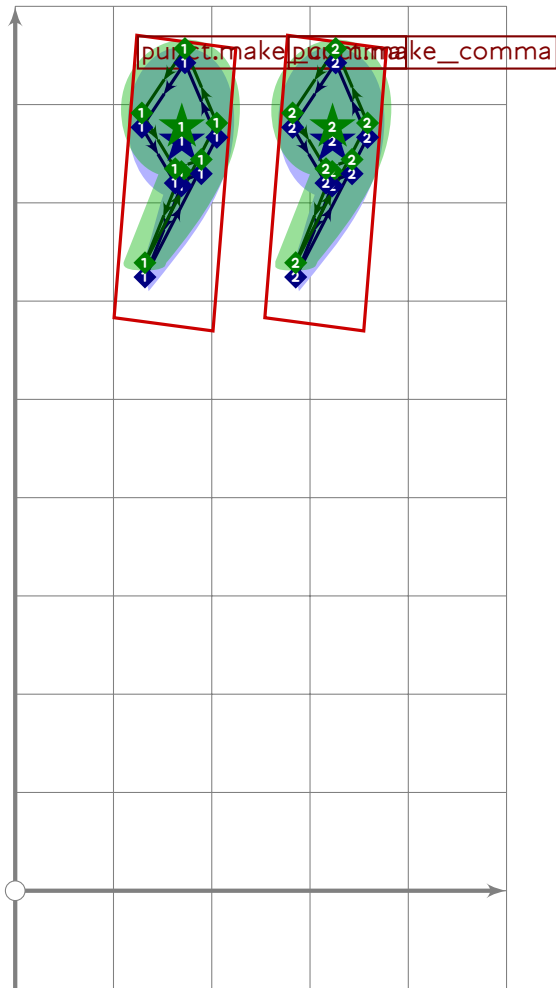
```



```

115 % high-66
116 beginsuglyph("quotedblleft";28);
117 tsu_curve.punct.make_comma((520-tsu_punct_size,vmetric(0.94)),180);
118 tsu_curve.punct.make_comma((520+tsu_punct_size,vmetric(0.94)),180);
119 tsu_render;
120 endsuglyph;
121

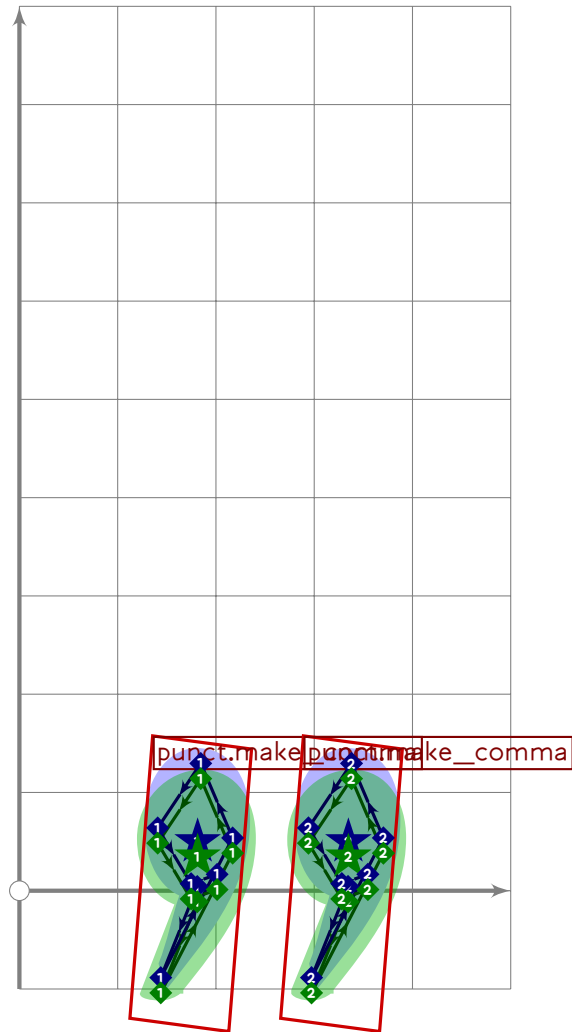
```



```

122 % high-99
123 begint Suglyph("quotedblright";29);
124   tsu_curve.punct.make_comma((480-tsu_punct_size,vmetric(0.94)),0);
125   tsu_curve.punct.make_comma((480+tsu_punct_size,vmetric(0.94)),0);
126   tsu_render;
127 endsuglyph;
128

```



```

129 % low-99
130 beginsuglyph("quotedblbase";30);
131   tsu_curve.punct.make_comma((520-tsu_punct_size,vmetric(0.03)),0);
132   tsu_curve.punct.make_comma((520*tsu_punct_size,vmetric(0.03)),0);
133   tsu_render;
134 endsuglyph;
135

```




```

136 % high-rev-99
137 \begintsuglyph{"quotedblreversed";31);
138 \tsu_curve.punct.make_revcomma((520-\tsu_punct_size,\vmetric{0.94}),0);
139 \tsu_curve.punct.make_revcomma((520+\tsu_punct_size,\vmetric{0.94}),0);
140 \tsu_render;
141 \endtsuglyph;
142
143 % WARNING changing rescale setting
144 \tsu_rescale_full;
145
146 % euro symbol
147 \begintsuglyph{"Euro";172);
148 \tsu_curve.punct.euro;
149 \tsu_render;
150 \endtsuglyph;
151
152
153
154 \endfont;
155
156

```

[see page 265]

tsuku-21.mp

```
1 %  
2 % Unicode page 21 (Symbols) for Tsukurimashou  
3 % Copyright (C) 2011 Matthew Skala  
4 %  
5-29 [Standard copyright notice]
```

```
30
```

```
31
```

```
32
```

```
33 beginfont
```

```
34
```

```
35 input latin-intro.mp;
```

```
36
```

```
37 % AUTODEPS
```

```
38 input latin.mp;
```

```
39 input punct.mp;
```

```
40
```

```
41
```

```
42
```

Symbols Required By Mes-1

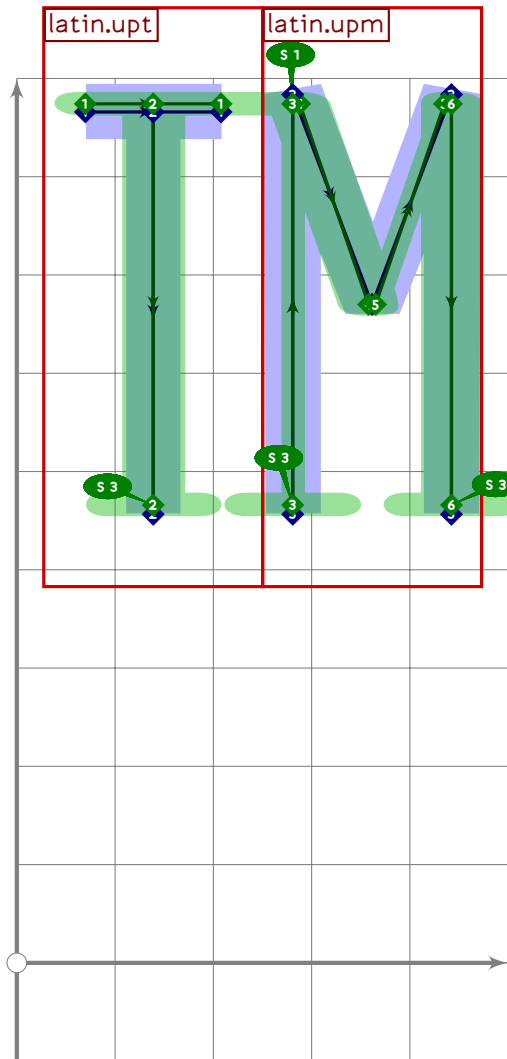
```
43 % SYMBOLS REQUIRED BY MES-1
```

```
44
```

```
45 % WARNING changing rescale setting
```

```
46 tsu\_rescale\_half;
```

```
47
```



```

48 % trademark symbol
49 \begintsuglyph("trademark";34);
50 \tsu_xform(identity scaled 0.5 shifted (0,400))(tsu_curve.latin.upt);
51 \numeric x[],y[];
52 \tsu_xform(identity scaled 0.5 shifted (500,400))(tsu_curve.latin.upm);
53 \tsu_render;
54 \endtsuglyph;
55
56 % ohm (resistance unit) symbol
57 \begintsuglyph("uni2126";38);
58 \tsu_curve.punct.ohm;
59 \tsu_render;
60 \endtsuglyph;
61
62 % Note: 0x5B through 0x5E, which are x/8 fractions, are assembled by the
63 % assemble-font script
64
65 % WARNING changing rescale setting
66 \tsu_rescale_full;

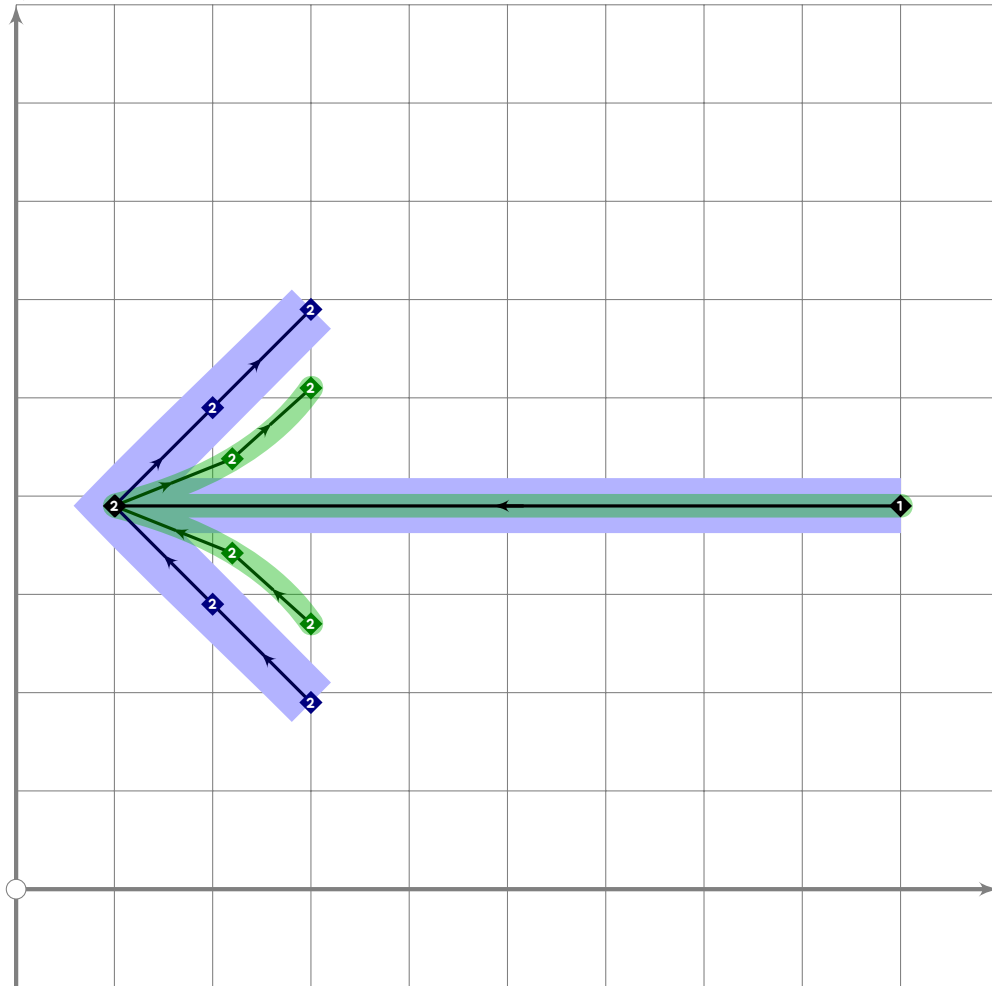
```

[see page 273]

```

67
68 vardef tsu_curve.arrow(expr rot) =
69   bp[sp]:=(-4,0)-(399,0)
70   scaled tsu_punct_size rotated rot shifted centre_pt;
71   bq[sp]:=(1.6,1.6)-(1.6,1.6);
72   bo_alternate[sp]:=true;
73   bo_size[sp]:=80;
74   bp[sp*1]:=((2,2)..((3,1)*(0.2*mincho*(-1,-1)))..
75     {curl 1}(4,0){curl 1}..
76     ((3,1)*(0.2*mincho*(-1,1)))..(2,-2))
77   xyscaled (1,1-0.4*mincho)
78   scaled tsu_punct_size rotated rot shifted centre_pt;
79   bq[sp*1]:=(1.6,1.6)-(1.6,1.6)-(1.6,1.6)-(1.6,1.6)-(1.6,1.6);
80   bo_tip[sp*1][2]:=1;
81   bo_alternate[sp*1]:=true;
82   bo_size[sp*1]:=80;
83   sp:=sp*2;
84 enddef;

```

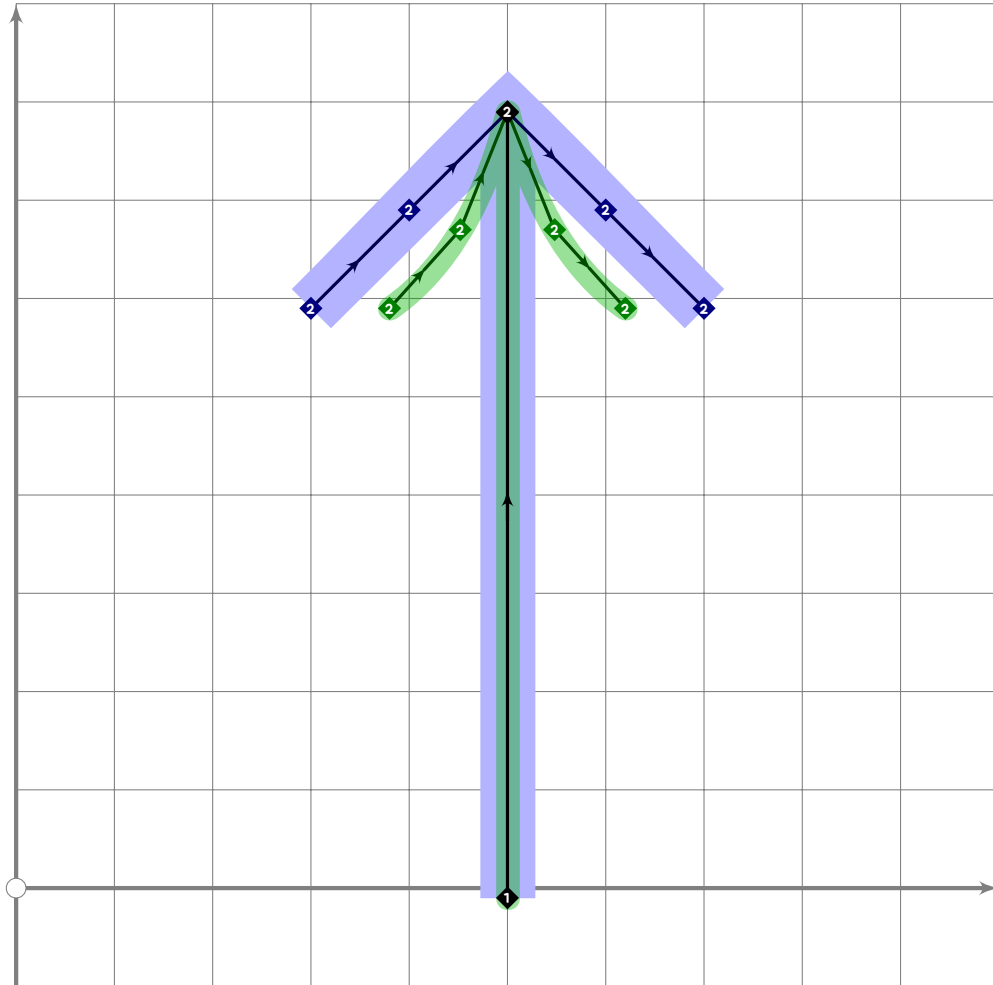


```

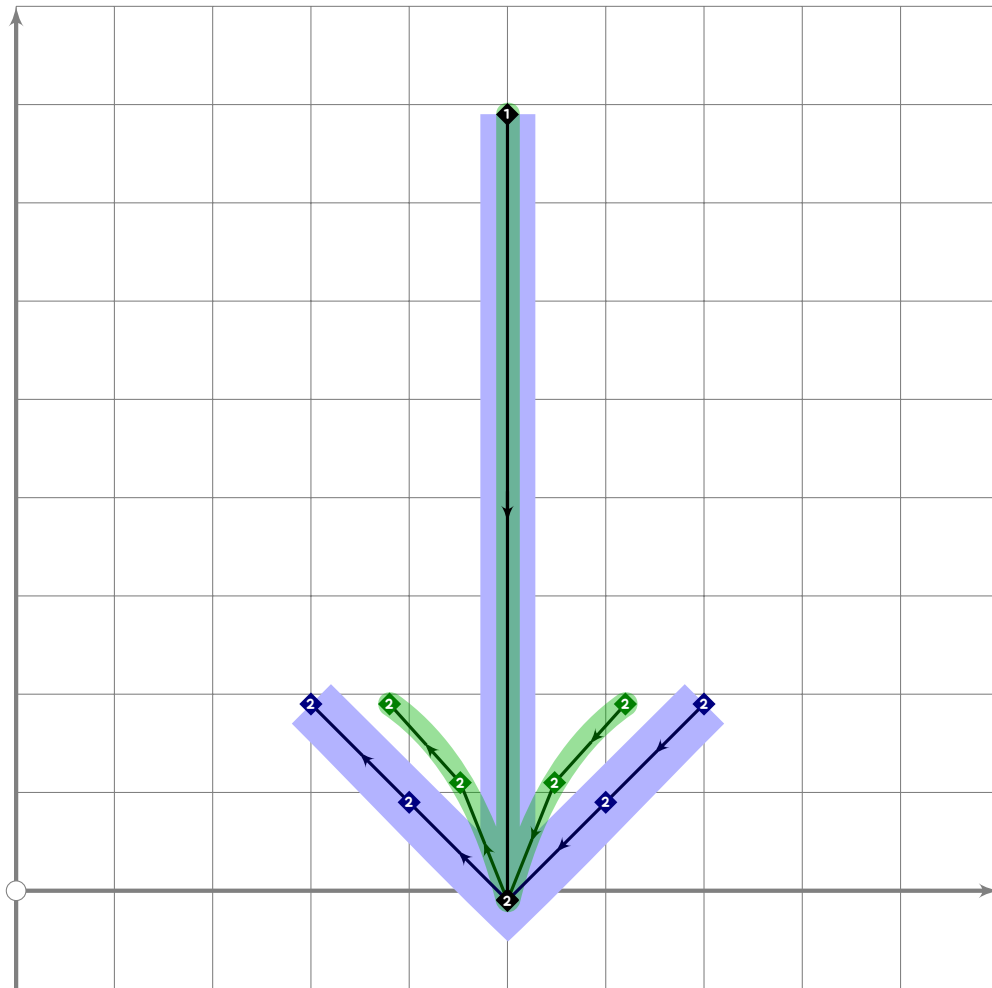
85
86 begint Suglyph("arrowleft";144);
87   tsu_curve.arrow(180);

```

```
88 tsu_render;  
89 endtsuglyph;
```



```
90  
91 begint Suglyph("arrowup",145);  
92 tsu_curve.arrow(90);  
93 tsu_render;  
94 endtsuglyph;
```

```

100
101 begintsuglyph("arrowdown";147);
102   tsu_curve.arrow(270);
103   tsu_render;
104 endtsuglyph;
105
106 _____
107
108 endfont;
109
110 _____

```

tsuku-24.mp

```
1 %
2 % Unicode page 24 (Enclosed Numerics) for Tsukurimashou
3 % Copyright (C) 2011 Matthew Skala
4 %
5-29 [Standard copyright notice]
30
31 

---

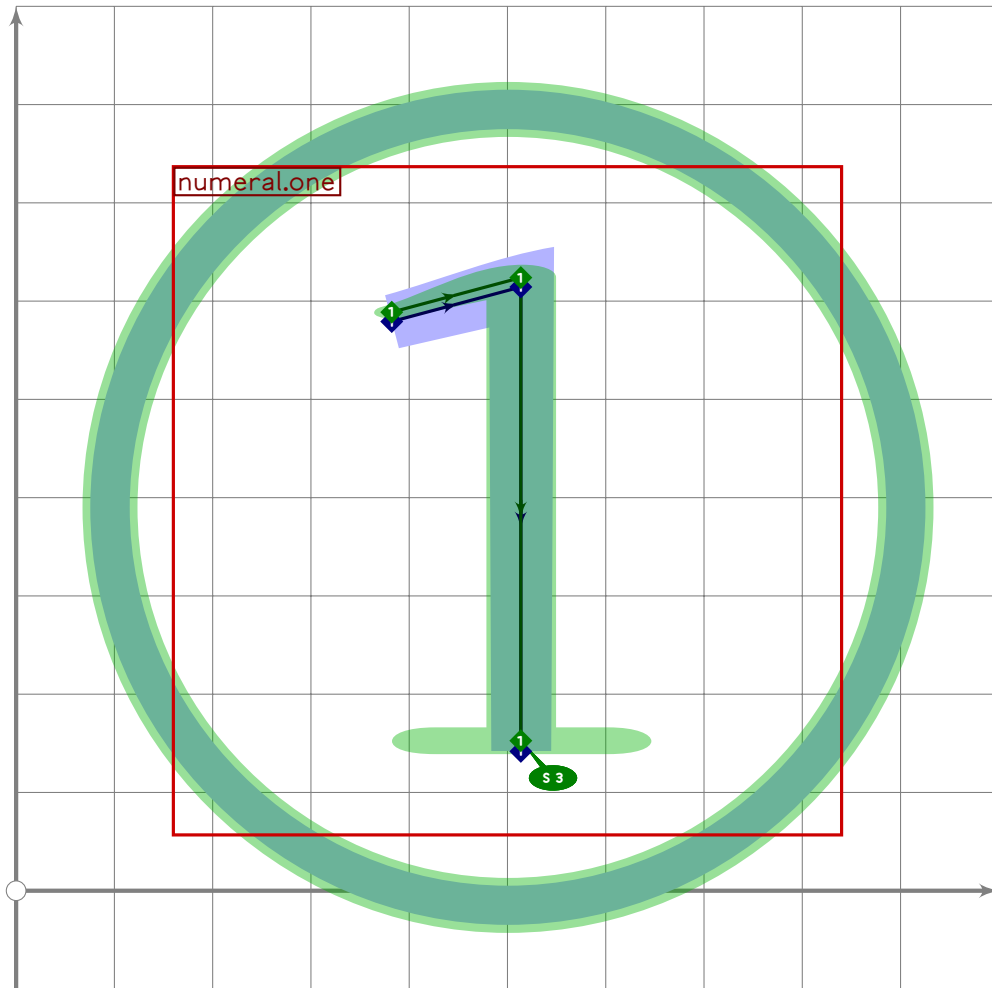

32
33 beginfont
34
35 input latin-intro.mp;
36
37 % AUTODEPS
38 input enclosed.mp;
39 input latin.mp;
40 input numerals.mp;
41
42 

---

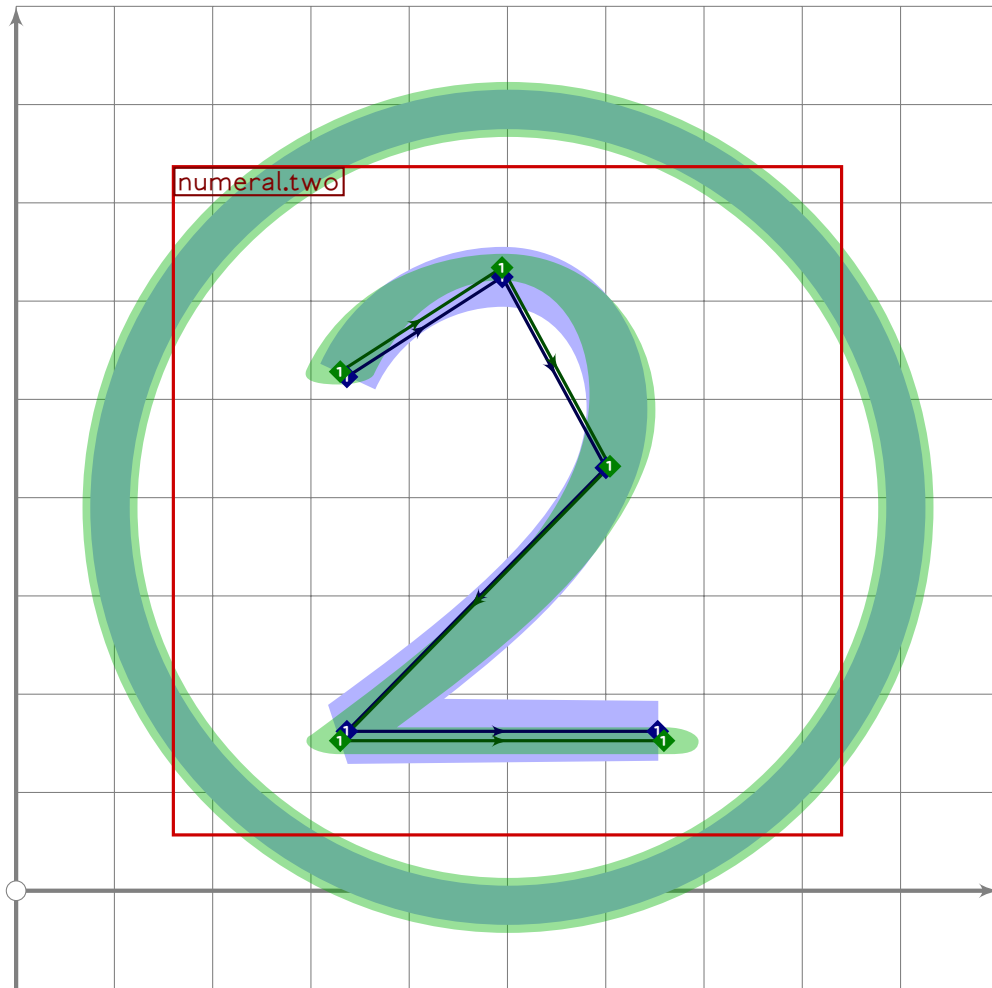

43
```

Circled Numerals

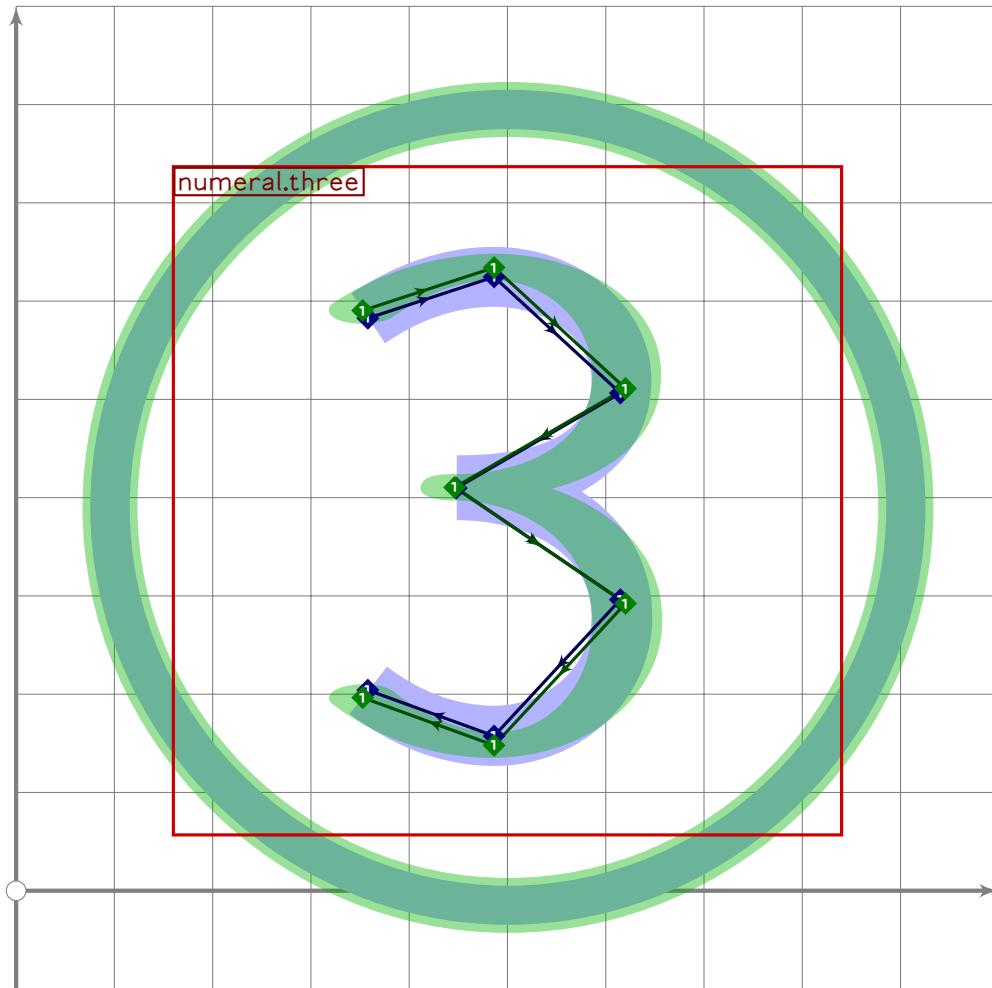
```
44 % CIRCLED NUMERALS
45
```

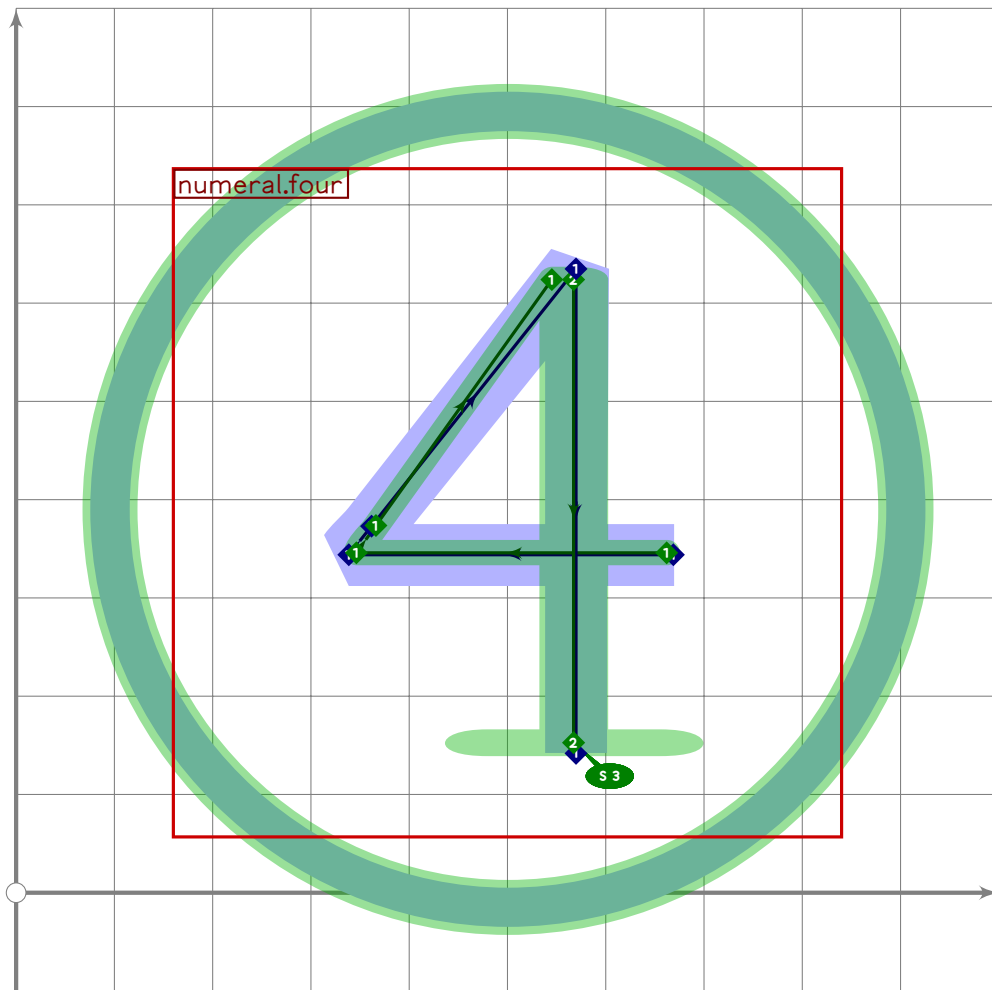
```
46 % 1
47 beginsuglyph("uni2460";96);
48 tsu_curve.circle.single;
49 tsu_xform(tsu_xf.circled)(tsu_curve.numeral.one);
50 tsu_render;
51 endsuglyph;
52
```



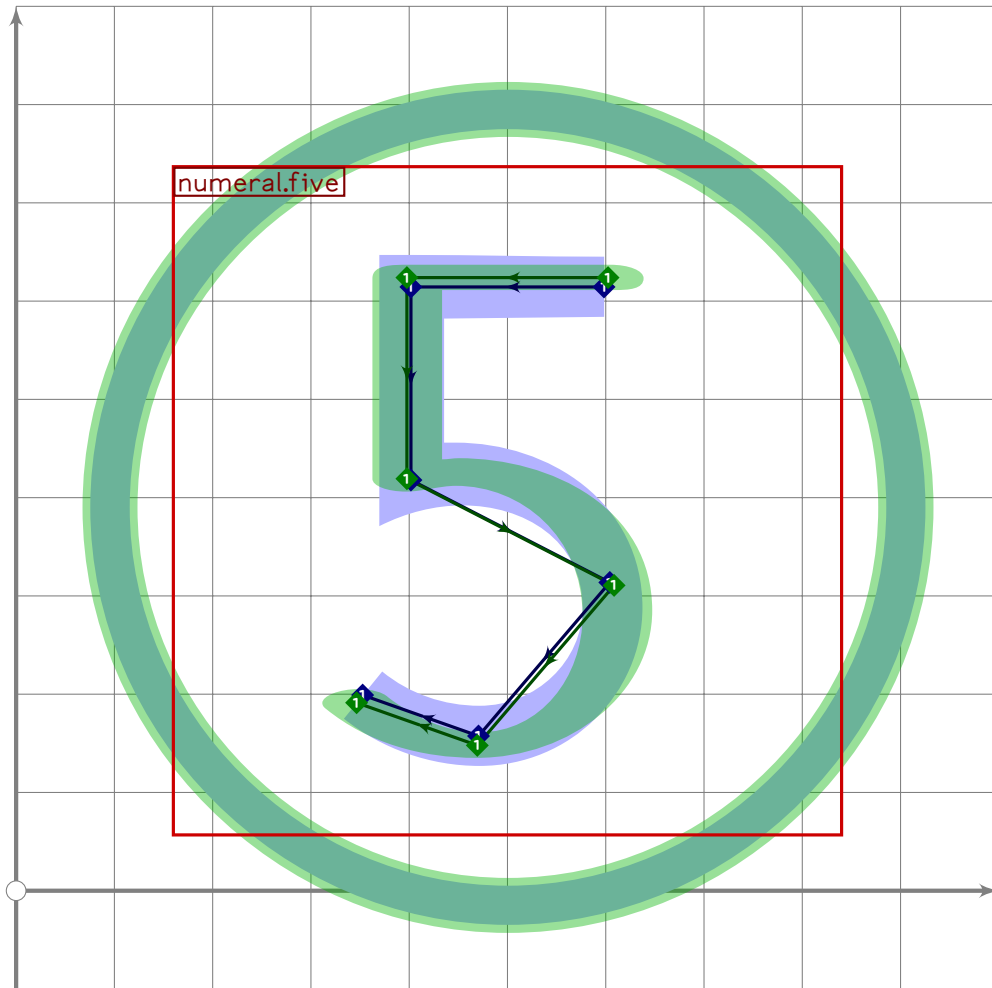
```
53 % 2
54 beginsuglyph("uni2461";97);
55   tsu_curve.circle.single;
56   tsu_xform(tsu_xf.circled)(tsu_curve.numeral.two);
57   tsu_render;
58 endsuglyph;
59
```



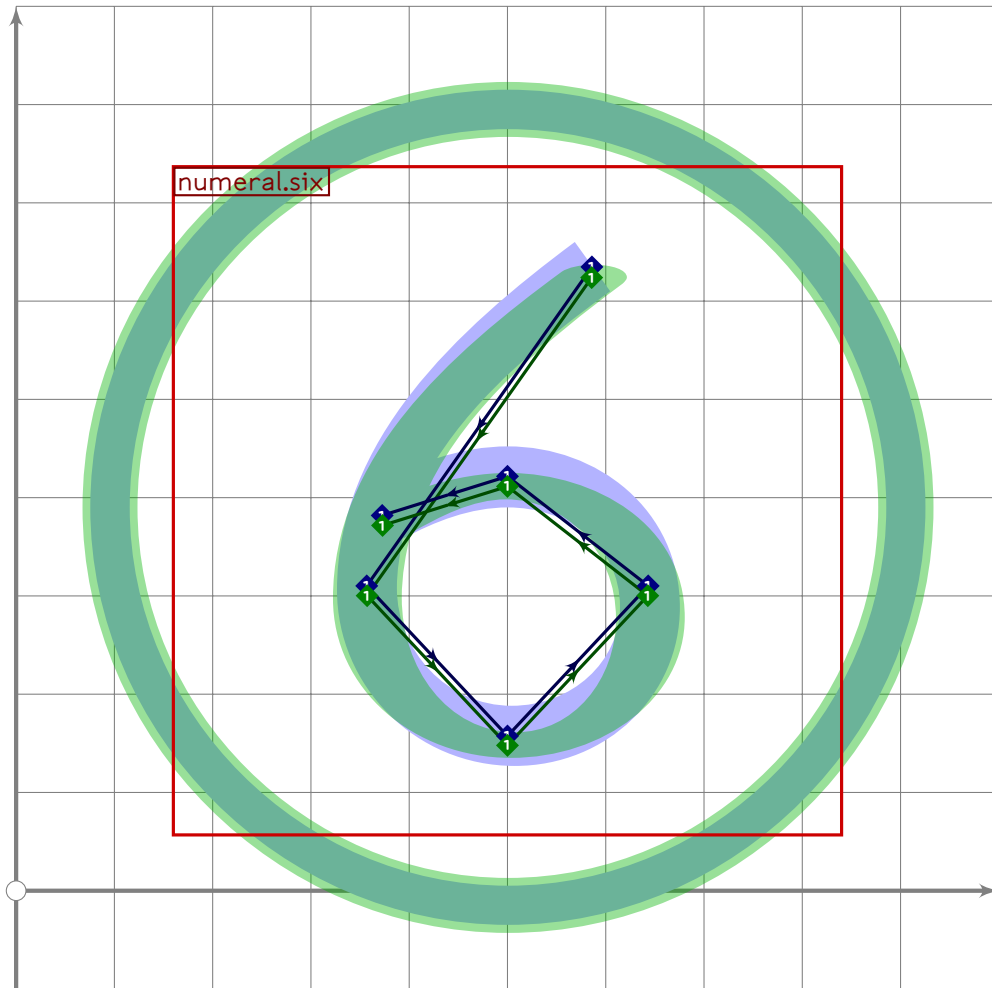
```
60 % 3
61 begint Suglyph("uni2462";98);
62 tsu_curve.circle.single;
63 tsu_xform(tsu_xf.circled)(tsu_curve.numeral.three);
64 tsu_render;
65 endsuglyph;
66
```



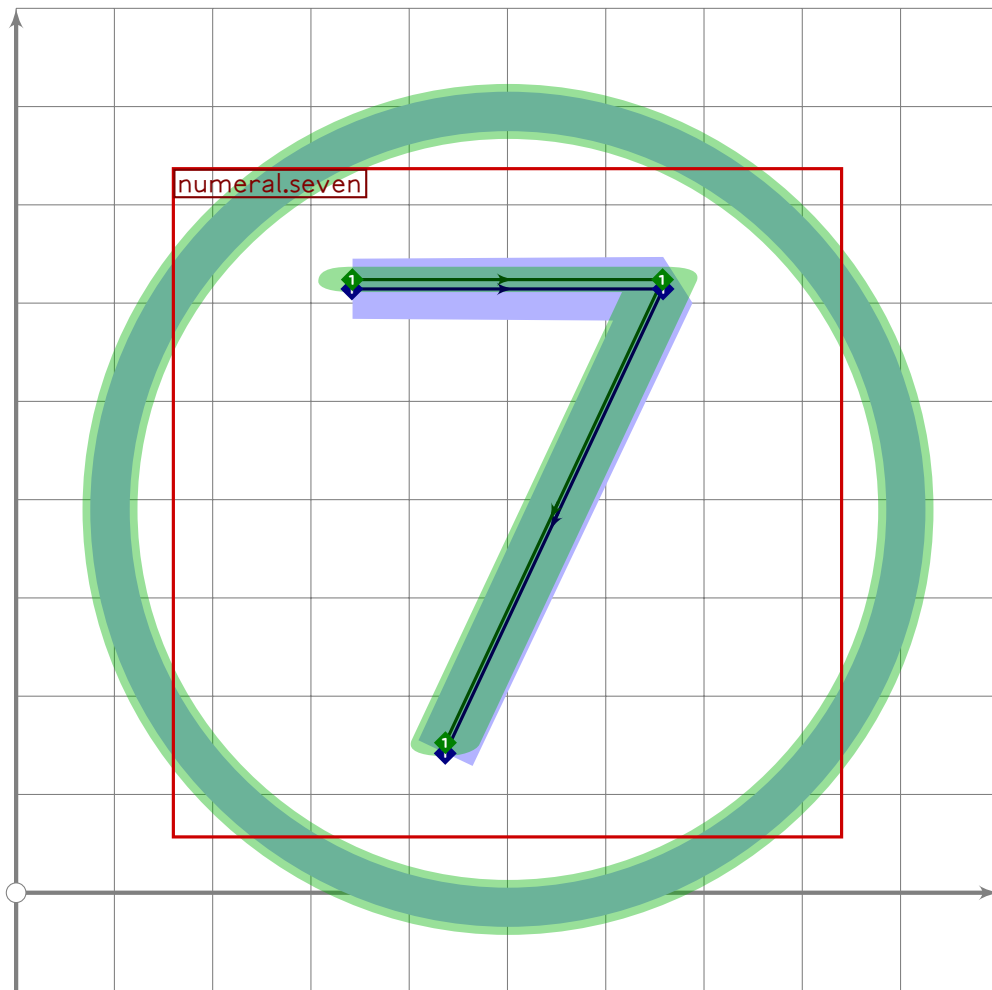
```
67 % 4
68 begint Suglyph("uni2463";99);
69   tsu_curve.circle.single;
70   tsu_xform(tsu_xf.circled)(tsu_curve.numeral.four);
71   tsu_render;
72 endsuglyph;
73
```



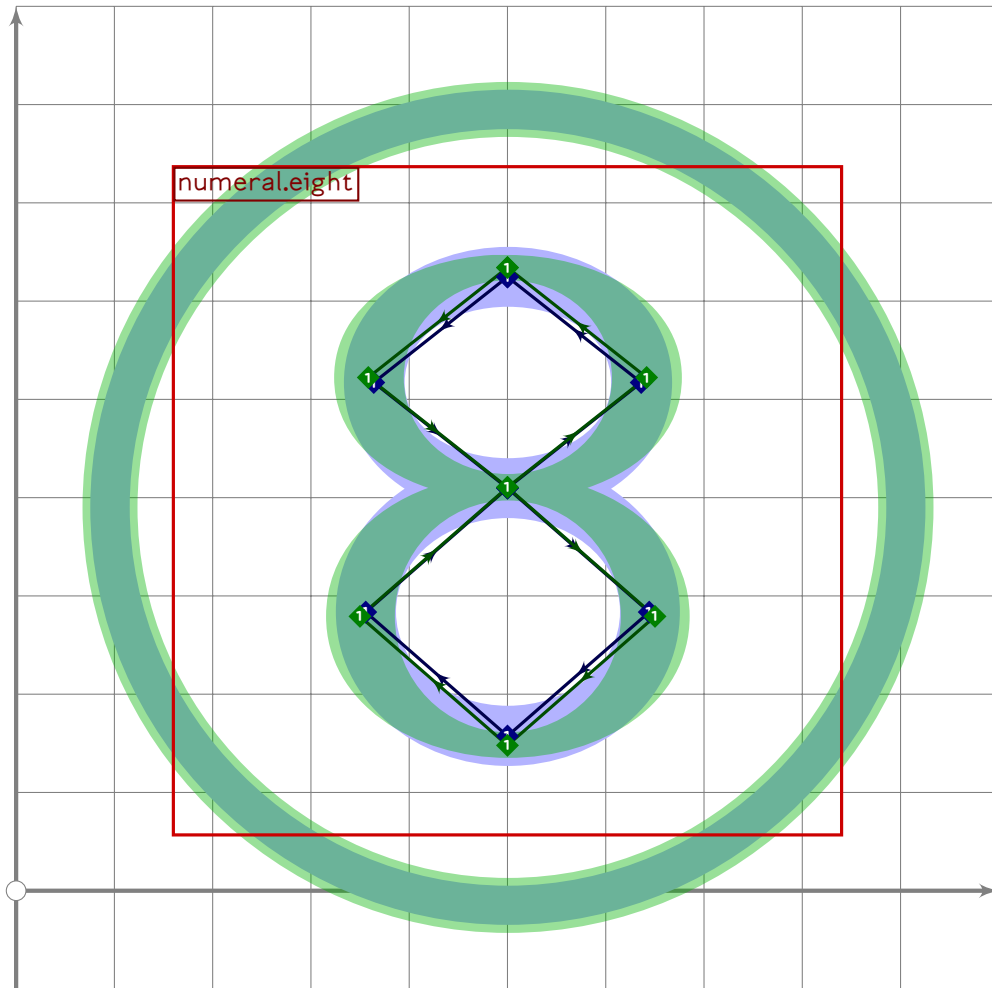
```
74 % 5
75 beginsuglyph("uni2464",100);
76 tsu_curve.circle.single;
77 tsu_xform(tsu_xf.circled)(tsu_curve.numeral.five);
78 tsu_render;
79 endsuglyph;
80
```



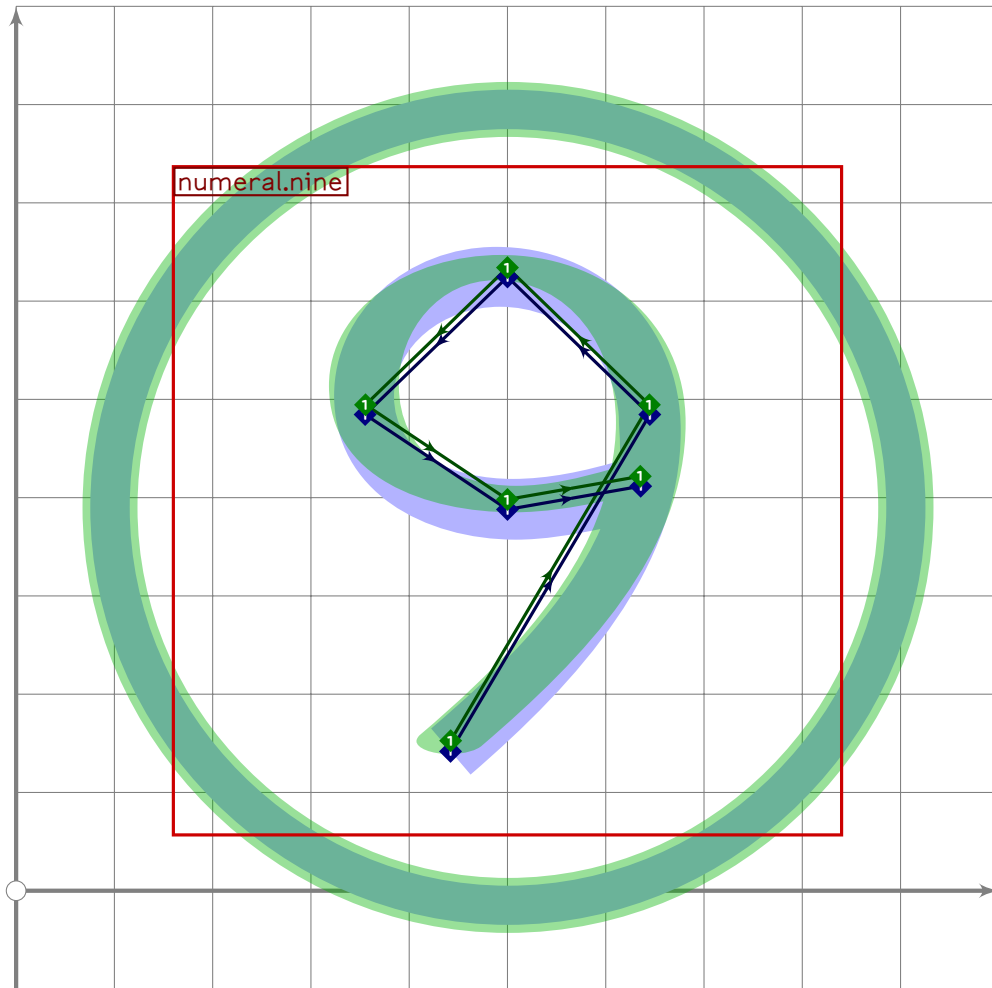
```
81 % 6
82 begint Suglyph("uni2465",101);
83   tsu_curve.circle.single;
84   tsu_xform(tsu_xf.circled)(tsu_curve.numeral.six);
85   tsu_render;
86 endsuglyph;
87
```



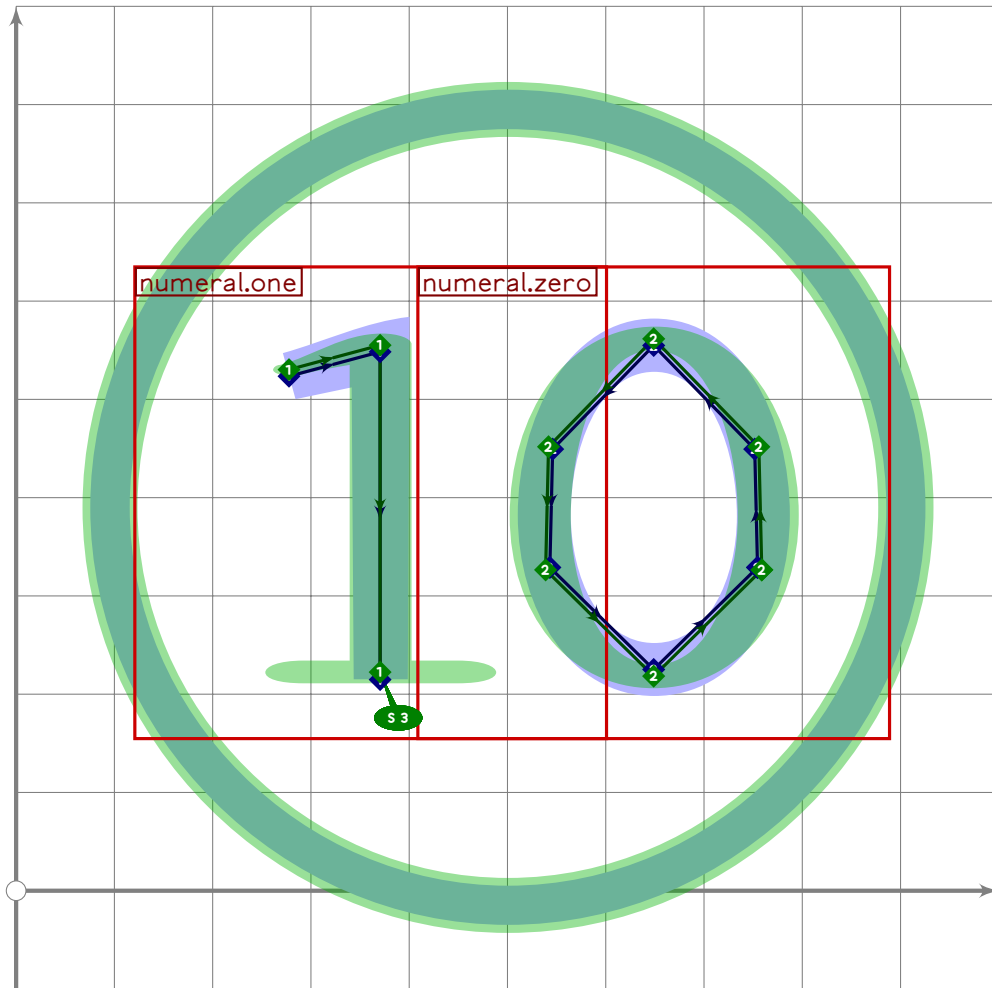
```
88 % 7
89 begint Suglyph("uni2466",102);
90 tsu_curve.circle.single;
91 tsu_xform(tsu_xf.circled)(tsu_curve.numeral.seven);
92 tsu_render;
93 endsuglyph;
94
```



```
95 % 8
96 beginsuglyph("uni2467",103);
97 tsu_curve.circle.single;
98 tsu_xform(tsu_xf.circled)(tsu_curve.numeral.eight);
99 tsu_render;
100 endsuglyph;
101
```

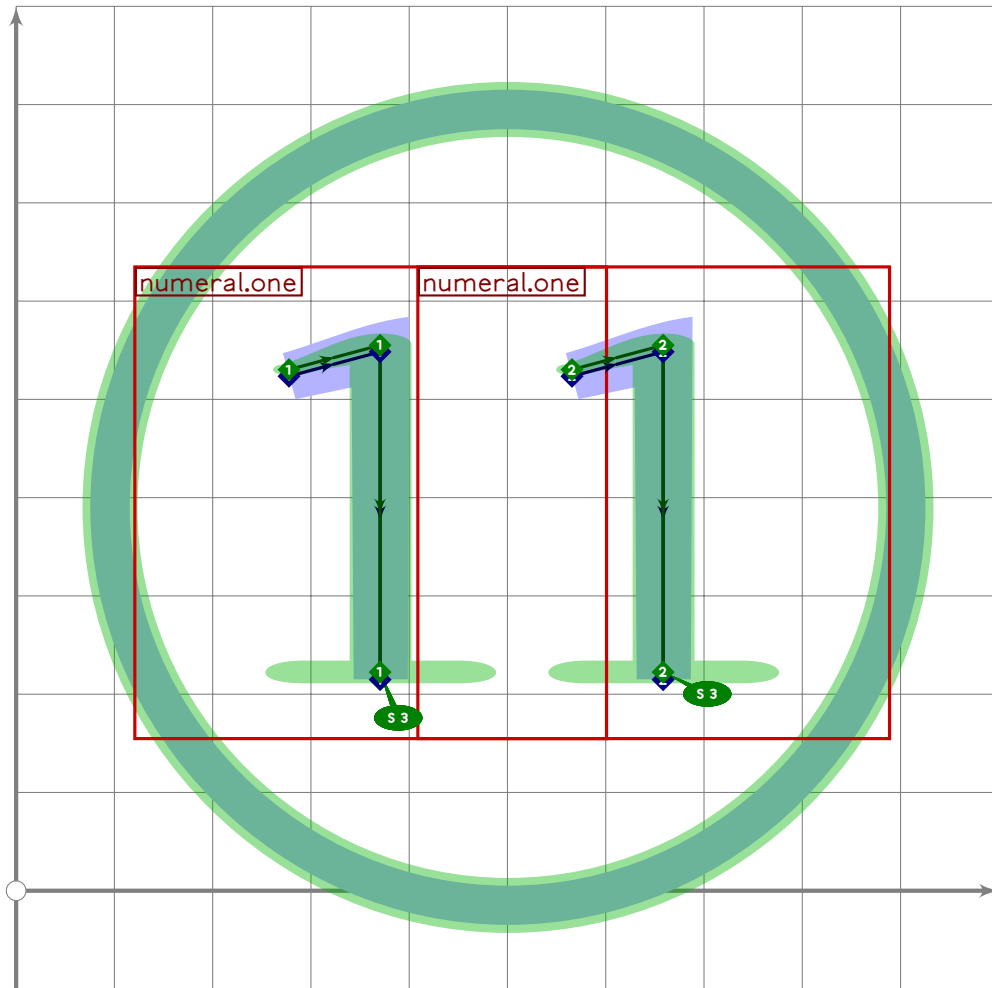
```
102 % 9
103 begint Suglyph("uni2468",104);
104 tsu_curve.circle.single;
105 tsu_xform(tsu_xf.circled)(tsu_curve.numeral.nine);
106 tsu_render;
107 endtsuglyph;
108
```



```

109 % 10
110 begint Suglyph("uni2469";105);
111   tsu_curve.circle.single;
112   tsu_xform(tsu_xf.ctwo.left)(tsu_curve.numeral.one);
113   numeric x[],y[];
114   tsu_xform(tsu_xf.ctwo.right)(tsu_curve.numeral.zero);
115   tsu_render;
116 endtsuglyph;
117

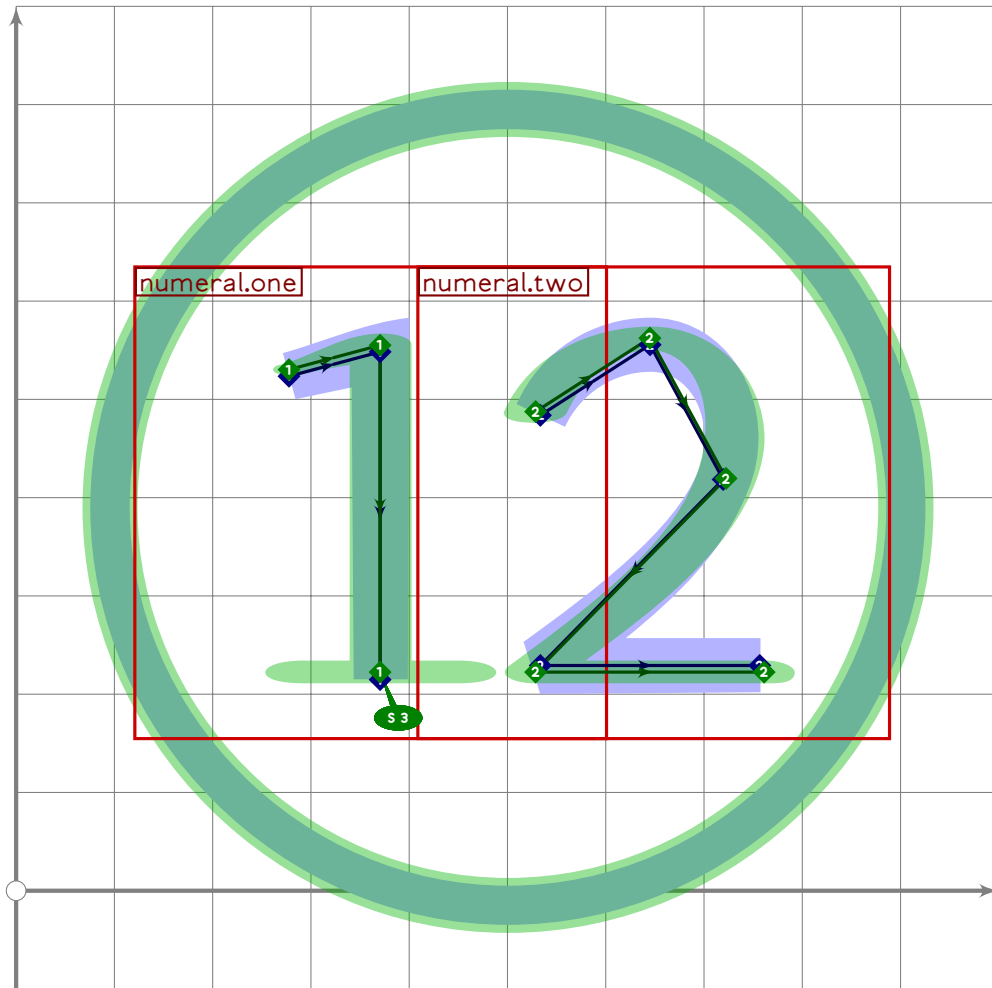
```



```

118 % 11
119 begint Suglyph("uni246A",106);
120 tsu_curve.circle.single;
121 tsu_xform(tsu_xf.ctwo.left)(tsu_curve.numeral.one);
122 numeric x[],y[];
123 tsu_xform(tsu_xf.ctwo.right)(tsu_curve.numeral.one);
124 tsu_render;
125 endtsuglyph;
126

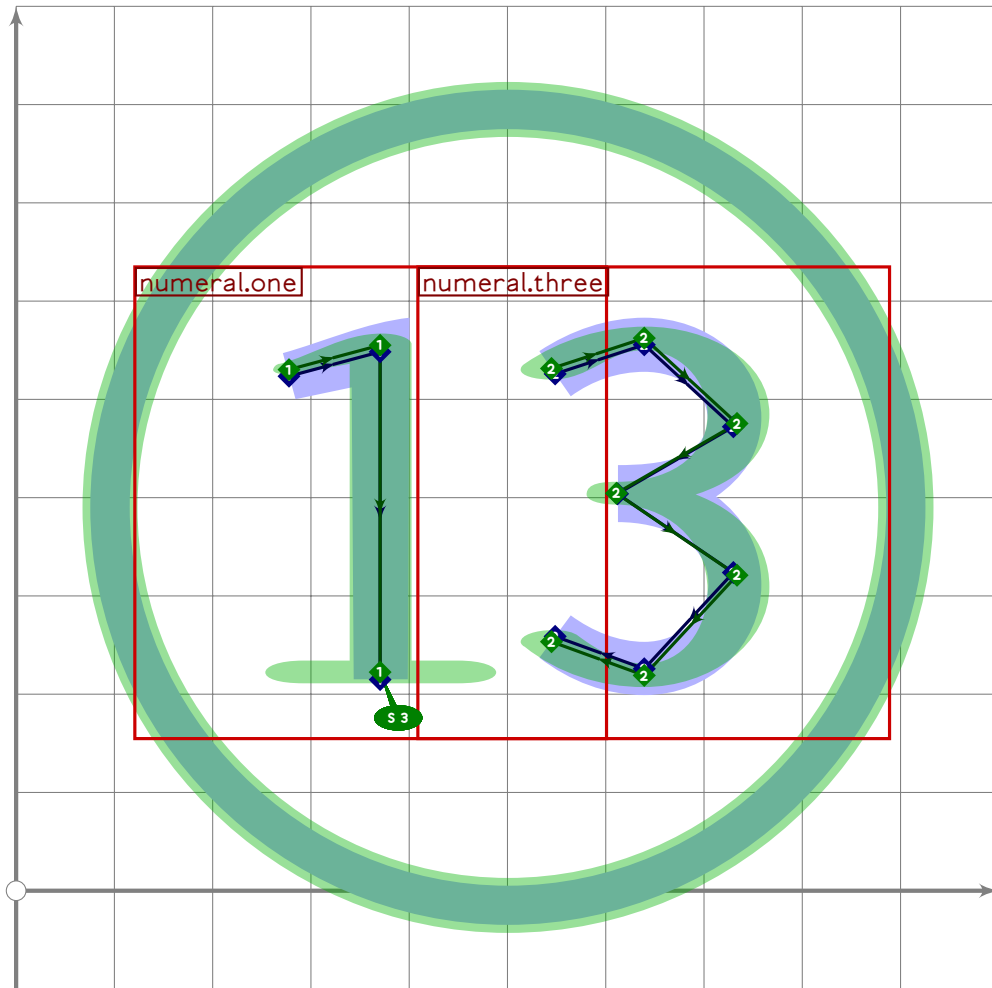
```



```

127 % 12
128 begint Suglyph("uni246B",107);
129   tsu_curve.circle.single;
130   tsu_xform(tsu_xf.ctwo.left)(tsu_curve.numeral.one);
131   numeric x[],y[];
132   tsu_xform(tsu_xf.ctwo.right)(tsu_curve.numeral.two);
133   tsu_render;
134 endtsuglyph;
135

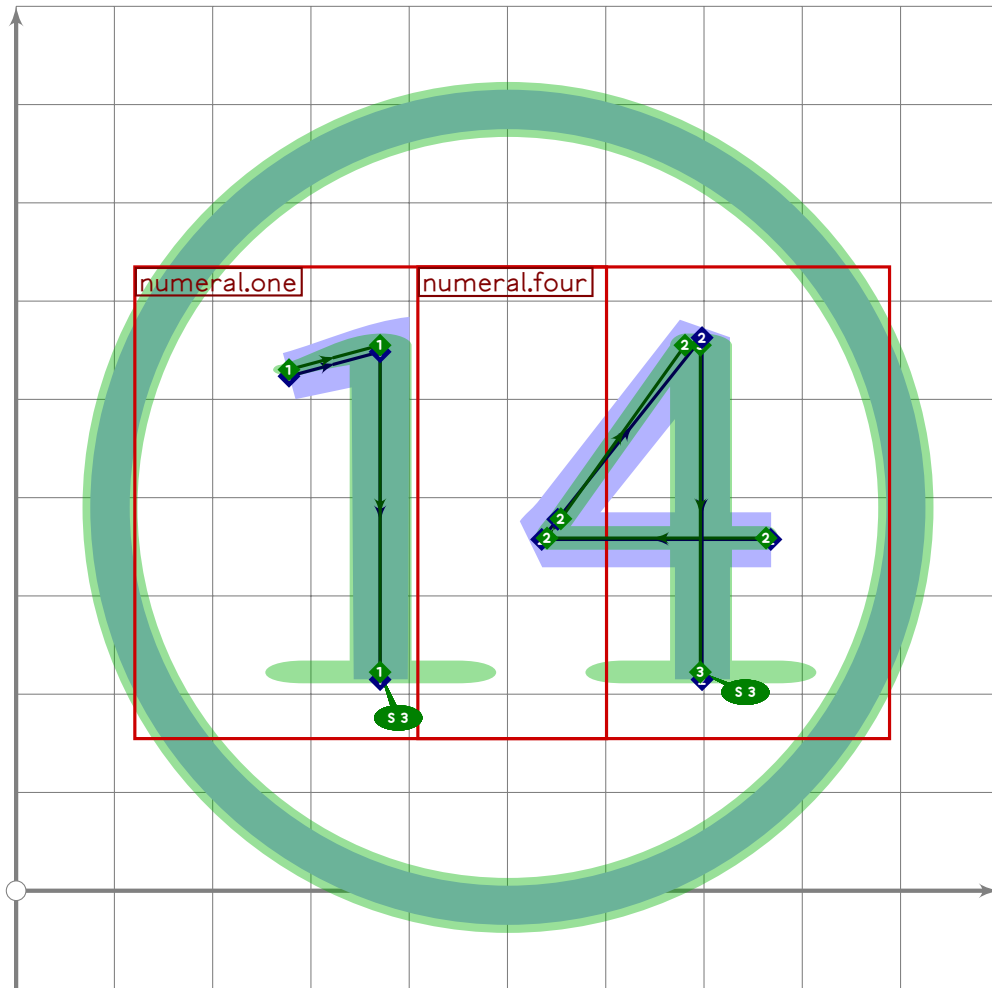
```



```

136 % 13
137 begint Suglyph("uni246C",108);
138   tsu_curve.circle.single;
139   tsu_xform(tsu_xf.ctwo.left)(tsu_curve.numeral.one);
140   numeric x[],y[];
141   tsu_xform(tsu_xf.ctwo.right)(tsu_curve.numeral.three);
142   tsu_render;
143 endtsuglyph;
144

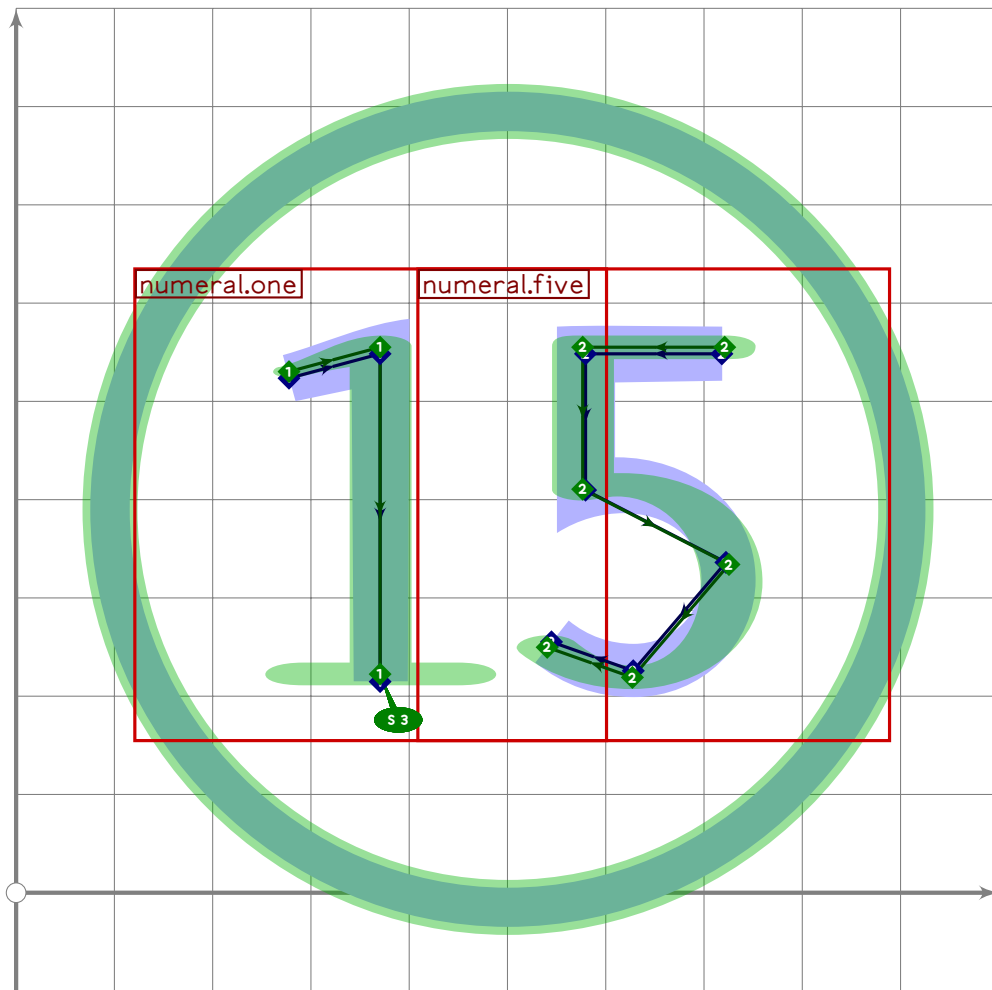
```



```

145 % 14
146 begint Suglyph("uni246D";109);
147   tsu_curve.circle.single;
148   tsu_xform(tsu_xf.ctwo.left)(tsu_curve.numeral.one);
149   numeric x[],y[];
150   tsu_xform(tsu_xf.ctwo.right)(tsu_curve.numeral.four);
151   tsu_render;
152 endtsuglyph;
153

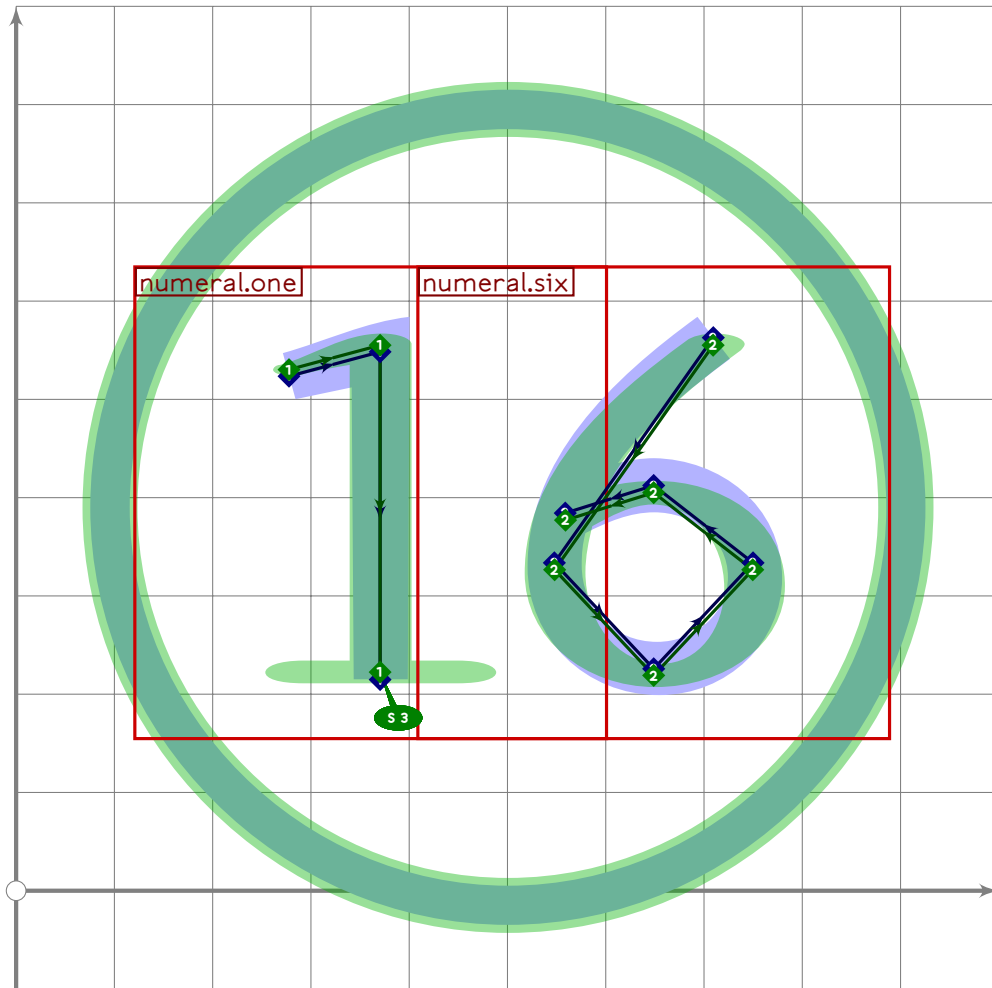
```



```

154 % 15
155 begint Suglyph("uni246E",110);
156 tsu_curve.circle.single;
157 tsu_xform(tsu_xf.ctwo.left)(tsu_curve.numeral.one);
158 numeric x[],y[];
159 tsu_xform(tsu_xf.ctwo.right)(tsu_curve.numeral.five);
160 tsu_render;
161 endtsuglyph;
162

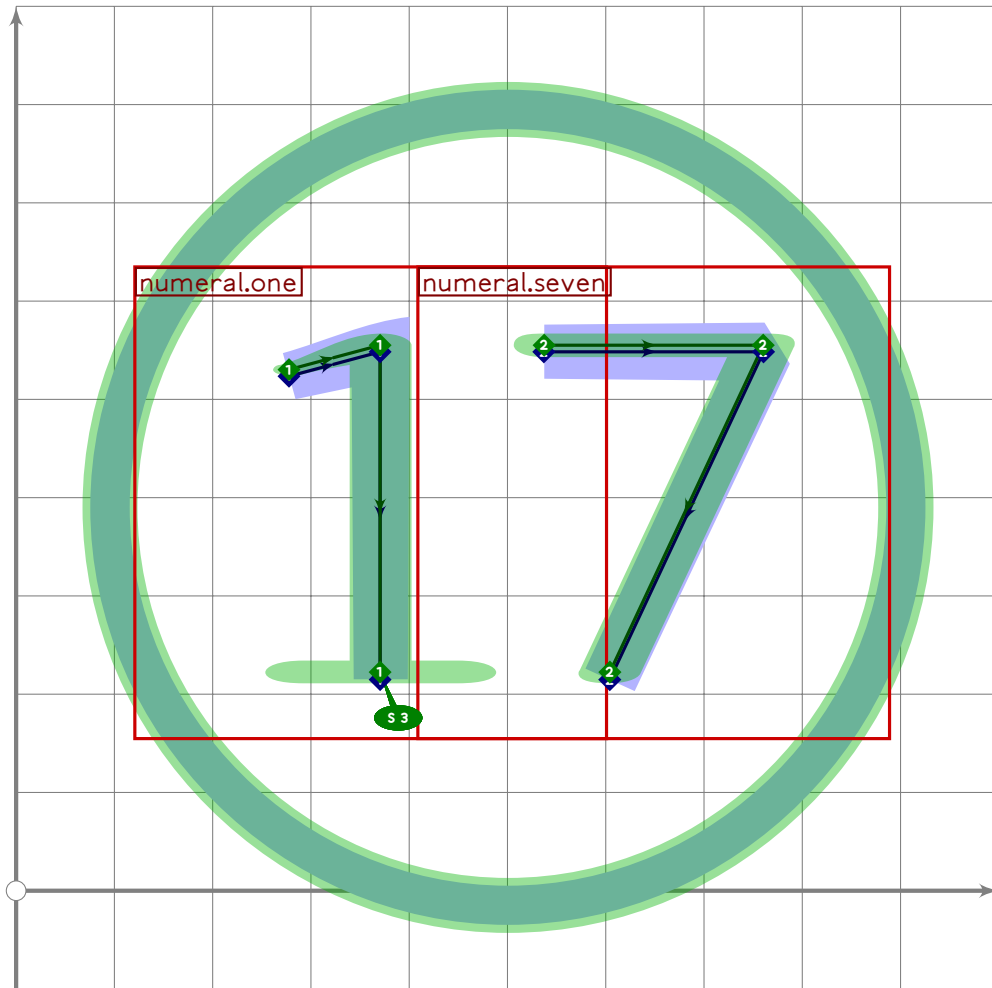
```



```

163 % 16
164 begint Suglyph("uni246F",111);
165   tsu_curve.circle.single;
166   tsu_xform(tsu_xf.ctwo.left)(tsu_curve.numeral.one);
167   numeric x[],y[];
168   tsu_xform(tsu_xf.ctwo.right)(tsu_curve.numeral.six);
169   tsu_render;
170 endtsuglyph;
171

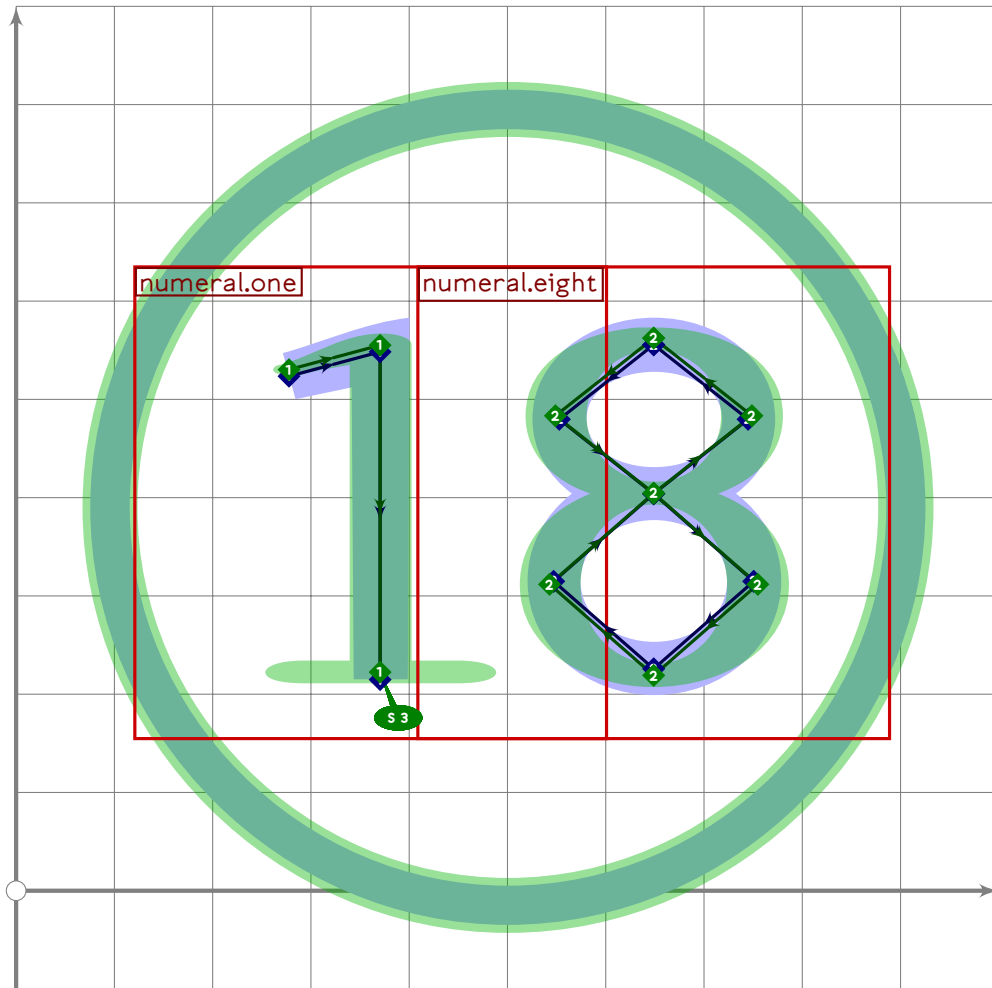
```

```

172 % 17
173 begint Suglyph("uni2470";112);
174   tsu_curve.circle.single;
175   tsu_xform(tsu_xf.ctwo.left)(tsu_curve.numeral.one);
176   numeric x[],y[];
177   tsu_xform(tsu_xf.ctwo.right)(tsu_curve.numeral.seven);
178   tsu_render;
179 endtsuglyph;
180

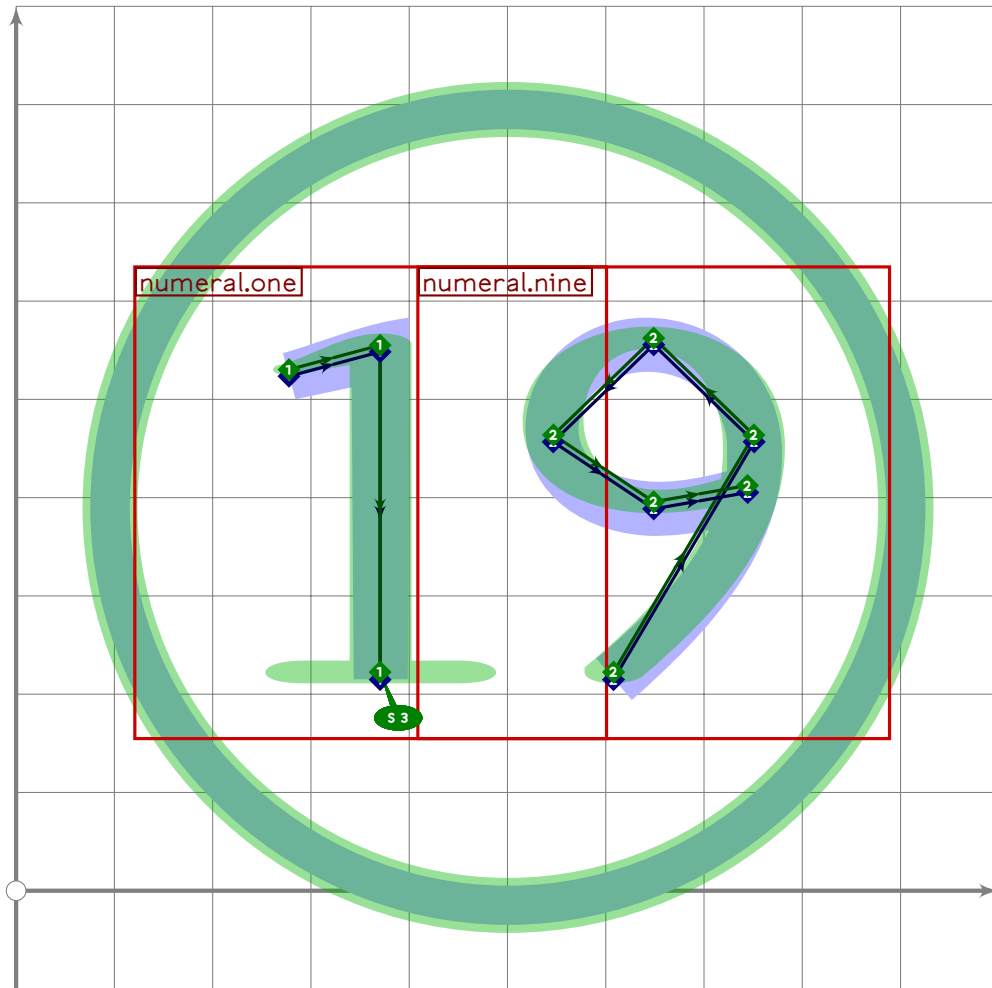
```



```

181 % 18
182 begint Suglyph("uni2471";113);
183   tsu_curve.circle.single;
184   tsu_xform(tsu_xf.ctwo.left)(tsu_curve.numeral.one);
185   numeric x[],y[];
186   tsu_xform(tsu_xf.ctwo.right)(tsu_curve.numeral.eight);
187   tsu_render;
188 endtsuglyph;
189

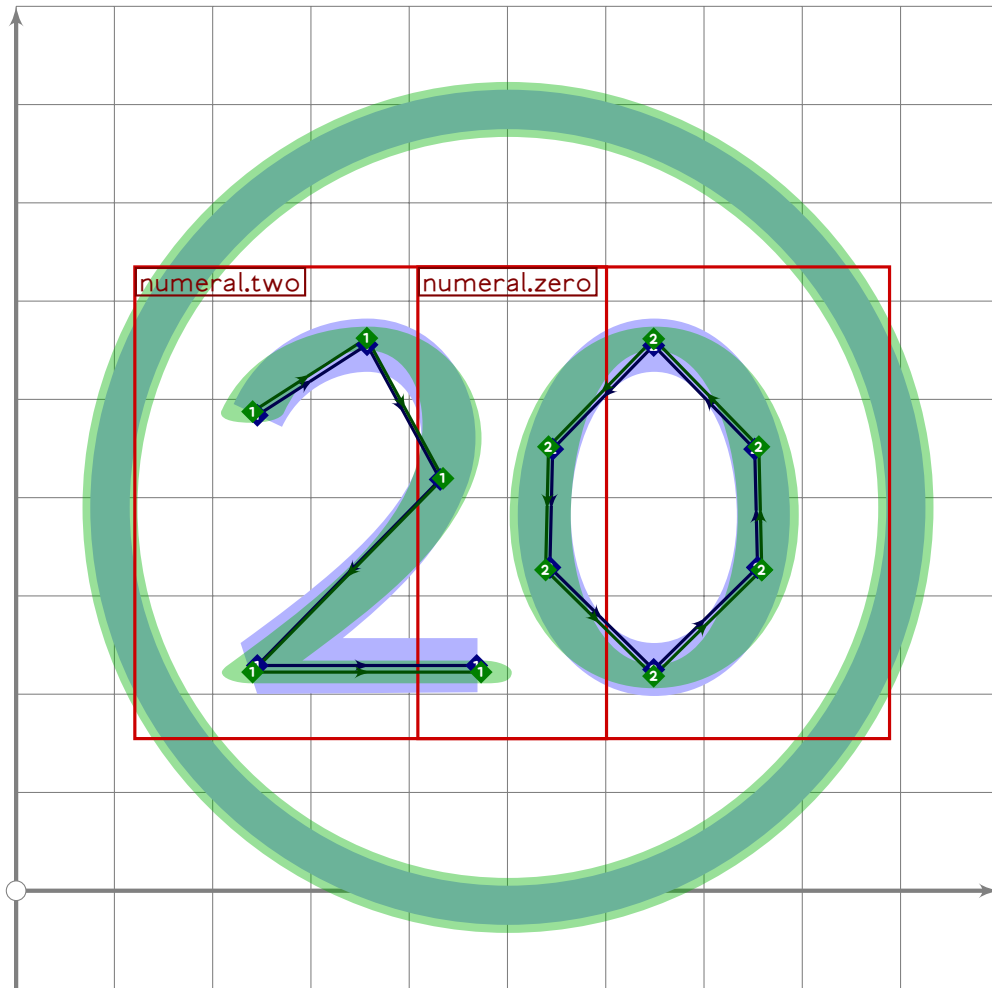
```



```

190 % 19
191 begint Suglyph("uni2472";114);
192   tsu_curve.circle.single;
193   tsu_xform(tsu_xf.ctwo.left)(tsu_curve.numeral.one);
194   numeric x[],y[];
195   tsu_xform(tsu_xf.ctwo.right)(tsu_curve.numeral.nine);
196   tsu_render;
197   endtsuglyph;
198

```



```

199 % 20
200 begintsuglyph("uni2473";115);
201 tsu_curve.circle.single;
202 tsu_xform(tsu_xf.ctwo.left)(tsu_curve.numeral.two);
203 numeric x[],y[];
204 tsu_xform(tsu_xf.ctwo.right)(tsu_curve.numeral.zero);
205 tsu_render;
206 endtsuglyph;
207
208
209

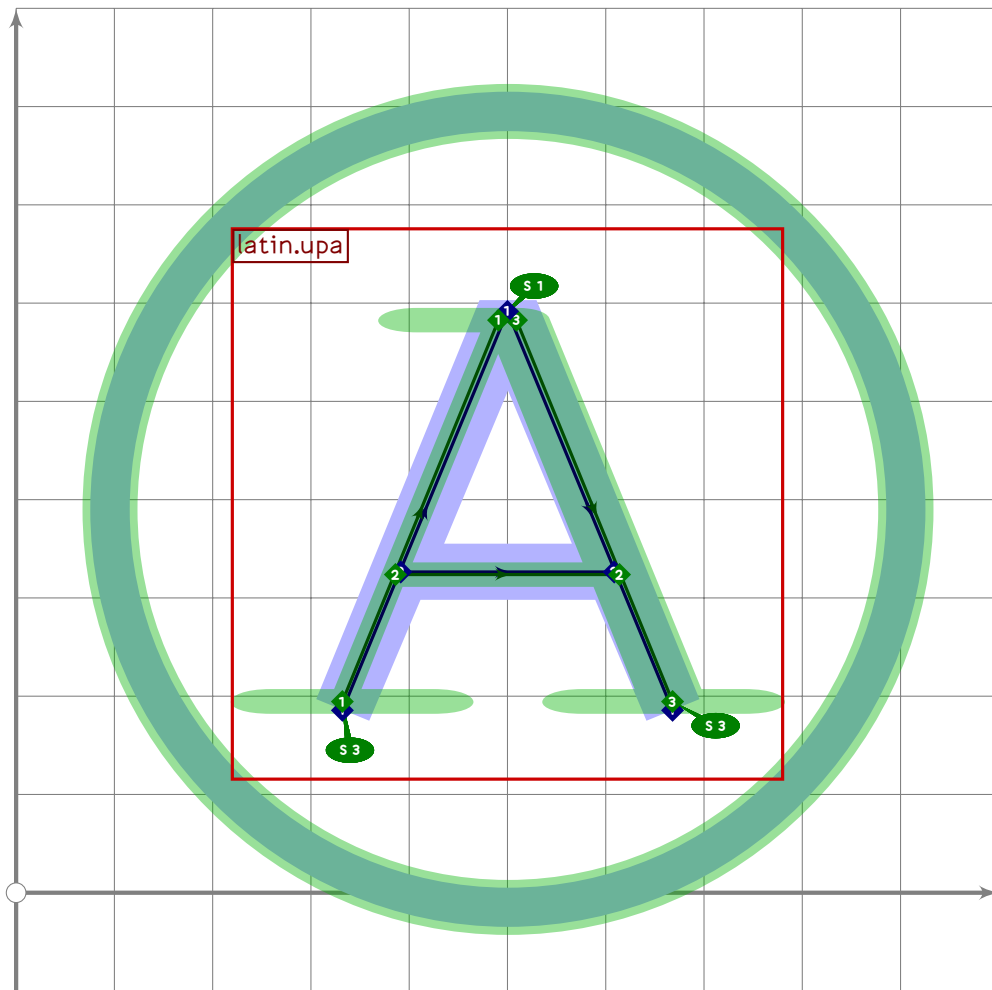
```

Circled Latin And Zero

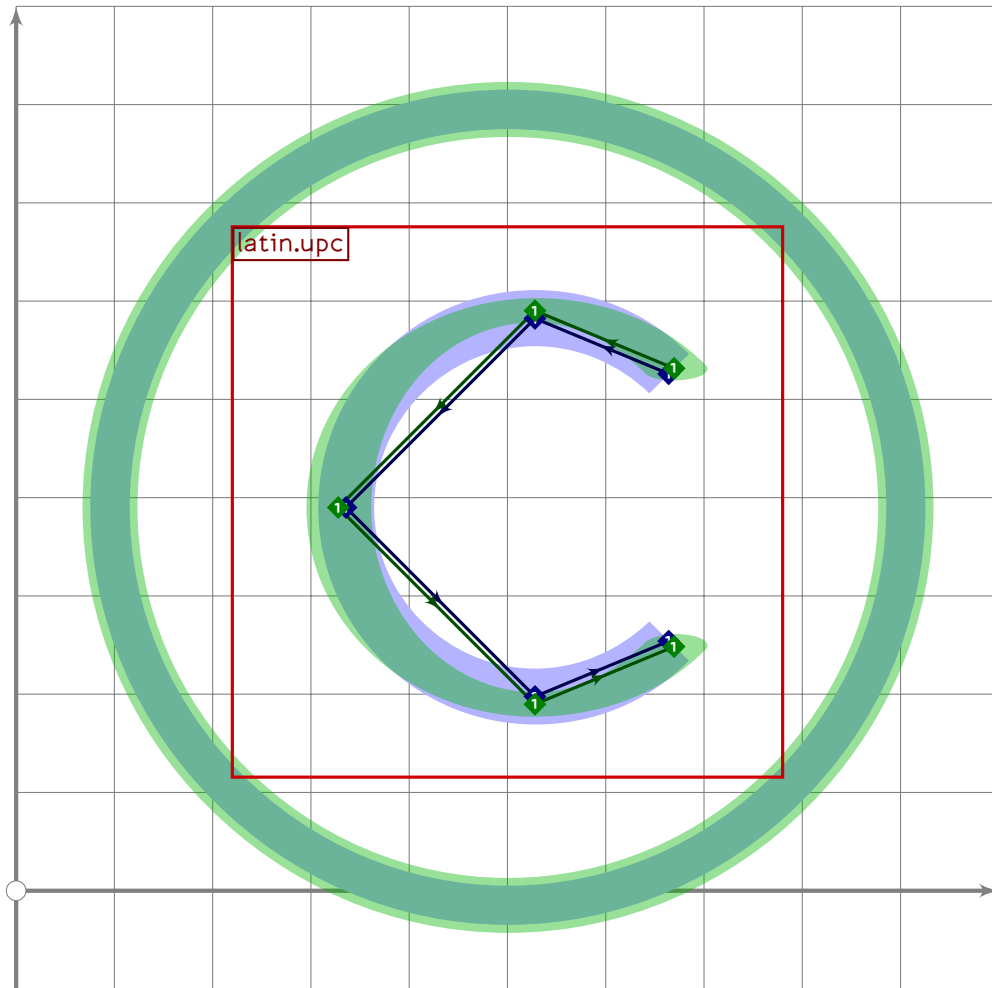
```

210 % CIRCLED LATIN AND ZERO
211

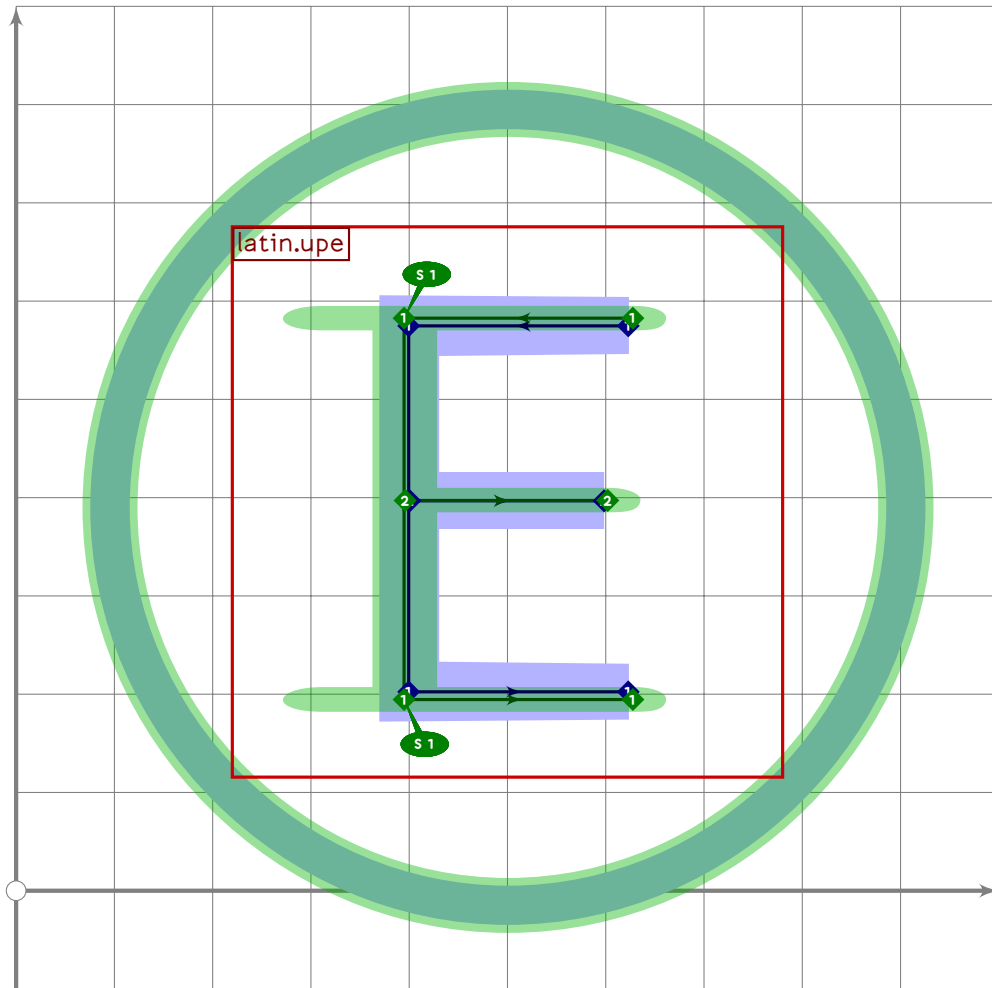
```



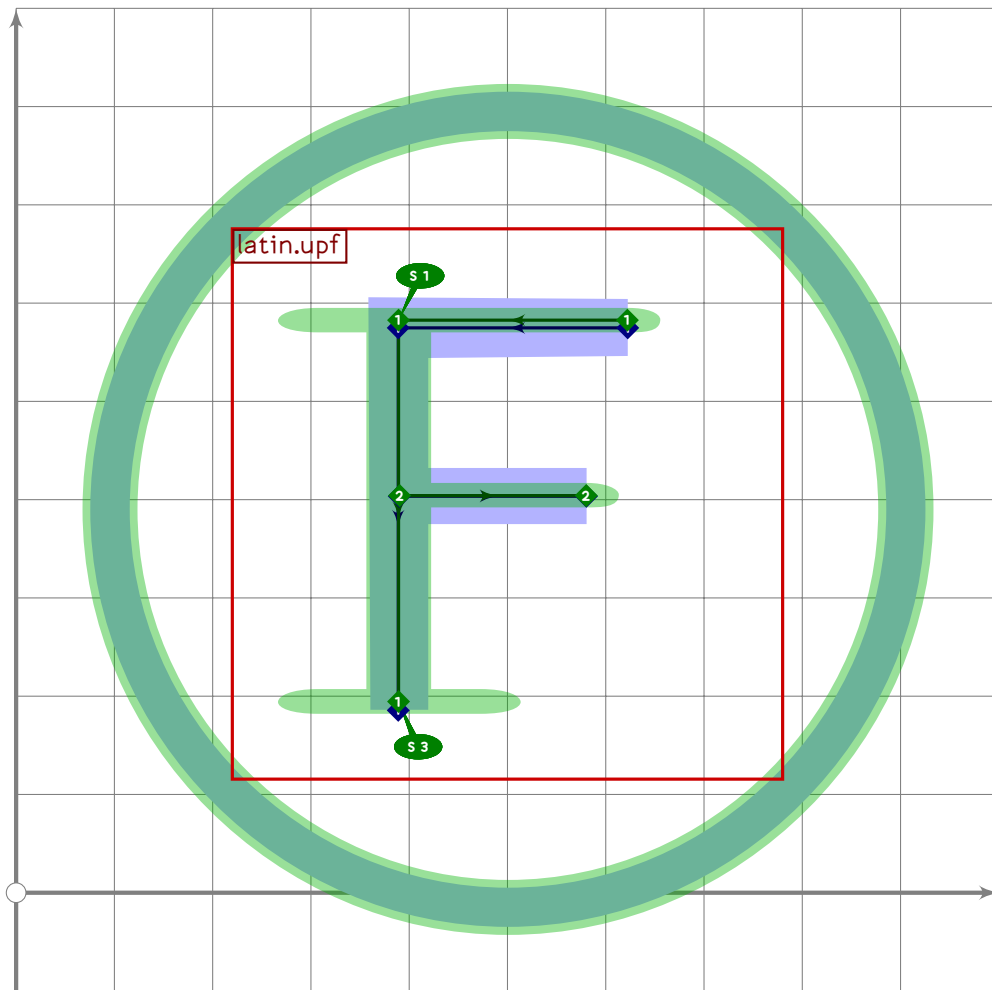
```
212 % A
213 beginsuglyph("uni24B6",182);
214 tsu_curve.circle.single;
215 tsu_xform(tsu_xf.cletter)(tsu_curve.latin.upa);
216 tsu_render;
217 endsuglyph;
218
```

```
226 % C
227 begint Suglyph("uni24B8",184);
228   tsu_curve.circle.single;
229   tsu_xform(tsu_xf.cletter)(tsu_curve.latin.upc);
230   tsu_render;
231 endsuglyph;
232
```

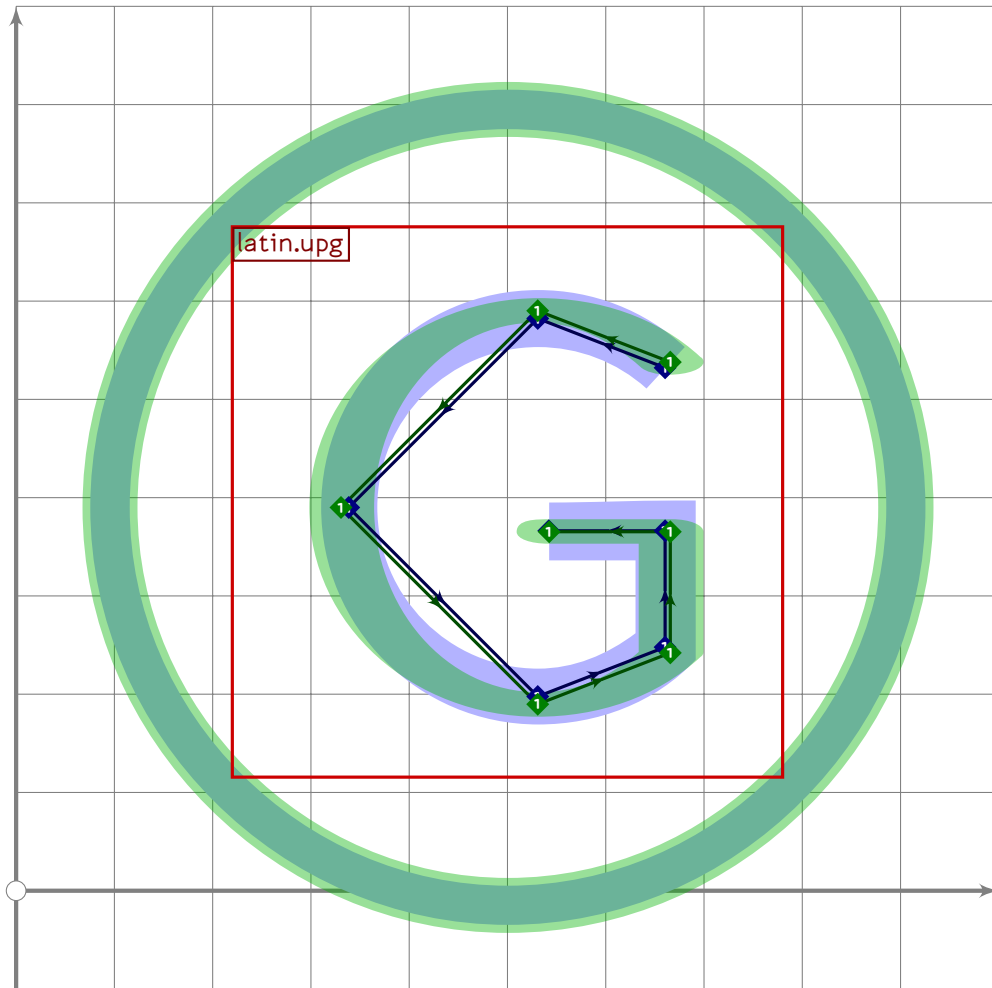
```
240 % E
241 begintuglyph("uni24BA",186);
242 tsu_curve.circle.single;
243 tsu_xform(tsu_xf.cletter)(tsu_curve.latin.upe);
244 tsu_render;
245 endsuglyph;
246
```



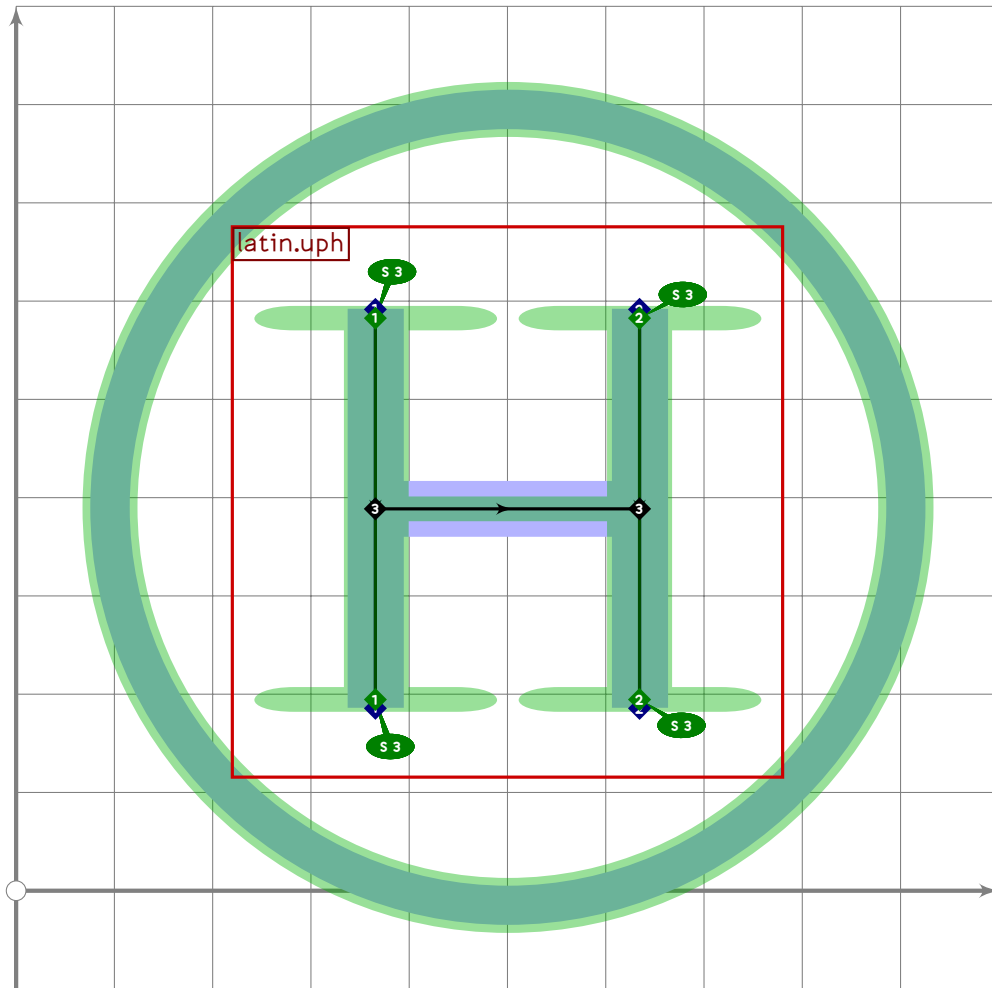
```

247 % F
248 begint Suglyph("uni24BB",187);
249 tsu_curve.circle.single;
250 tsu_xform(tsu_xf.cletter)(tsu_curve.latin.upf);
251 tsu_render;
252 endsuglyph;
253

```



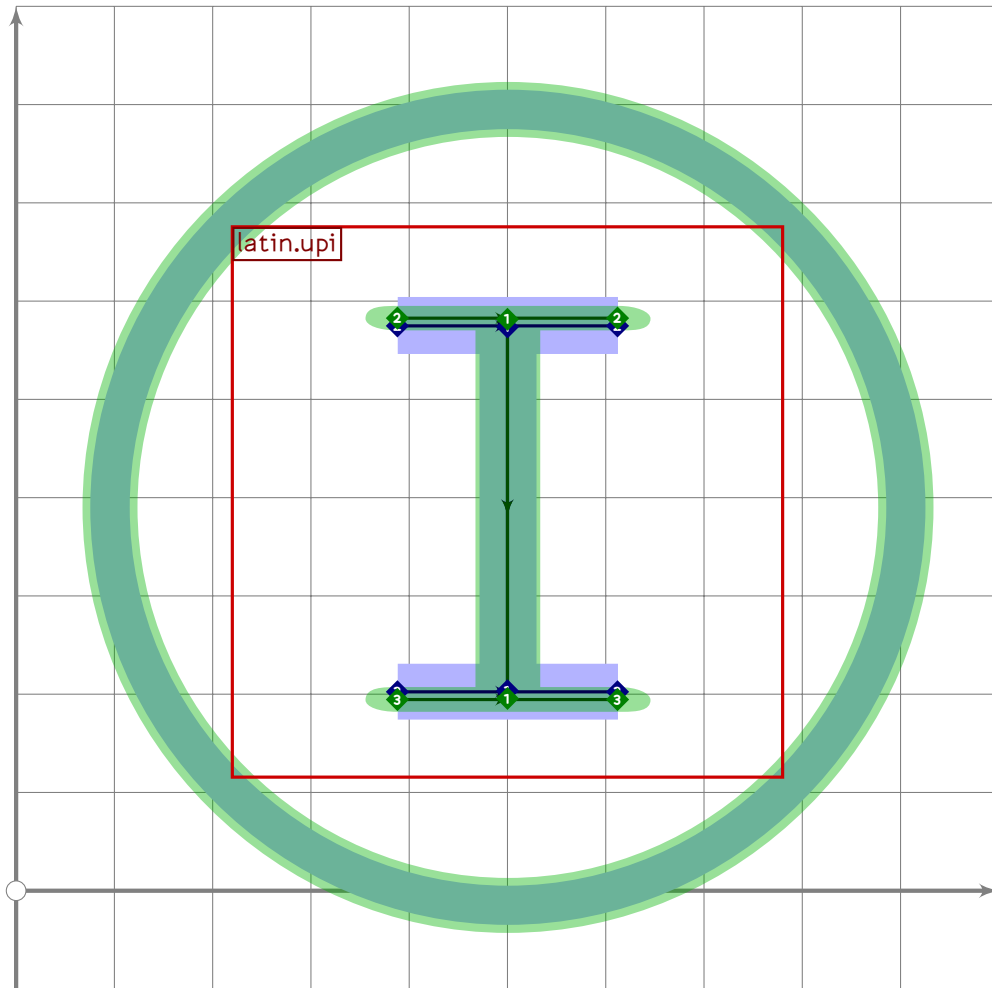
```
254 % G
255 begint Suglyph("uni24BC",188);
256 tsu_curve.circle.single;
257 tsu_xform(tsu_xf.cletter)(tsu_curve.latin.upg);
258 tsu_render;
259 endsuglyph;
260
```



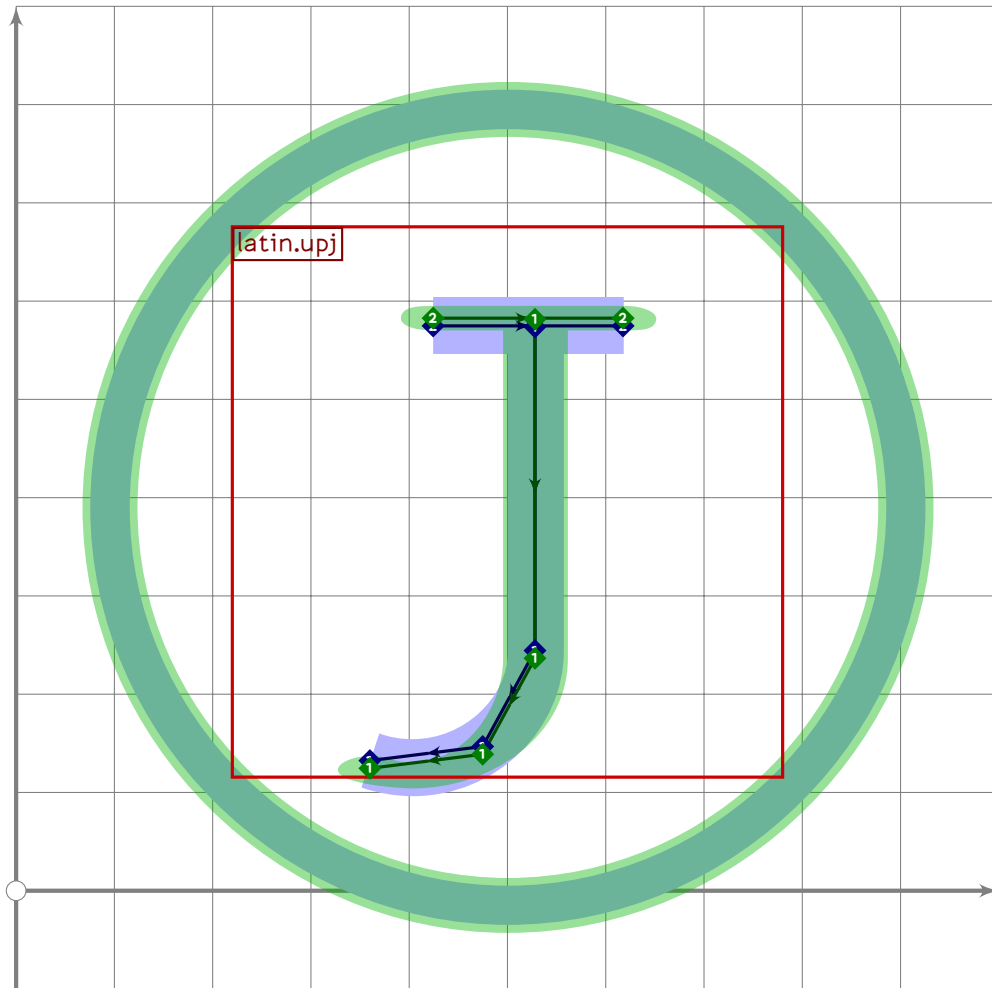
```

261 % H
262 begint Suglyph("uni24BD",189);
263   tsu_curve.circle.single;
264   tsu_xform(tsu_xf.cletter)(tsu_curve.latin.uph);
265   tsu_render;
266 endsuglyph;
267

```



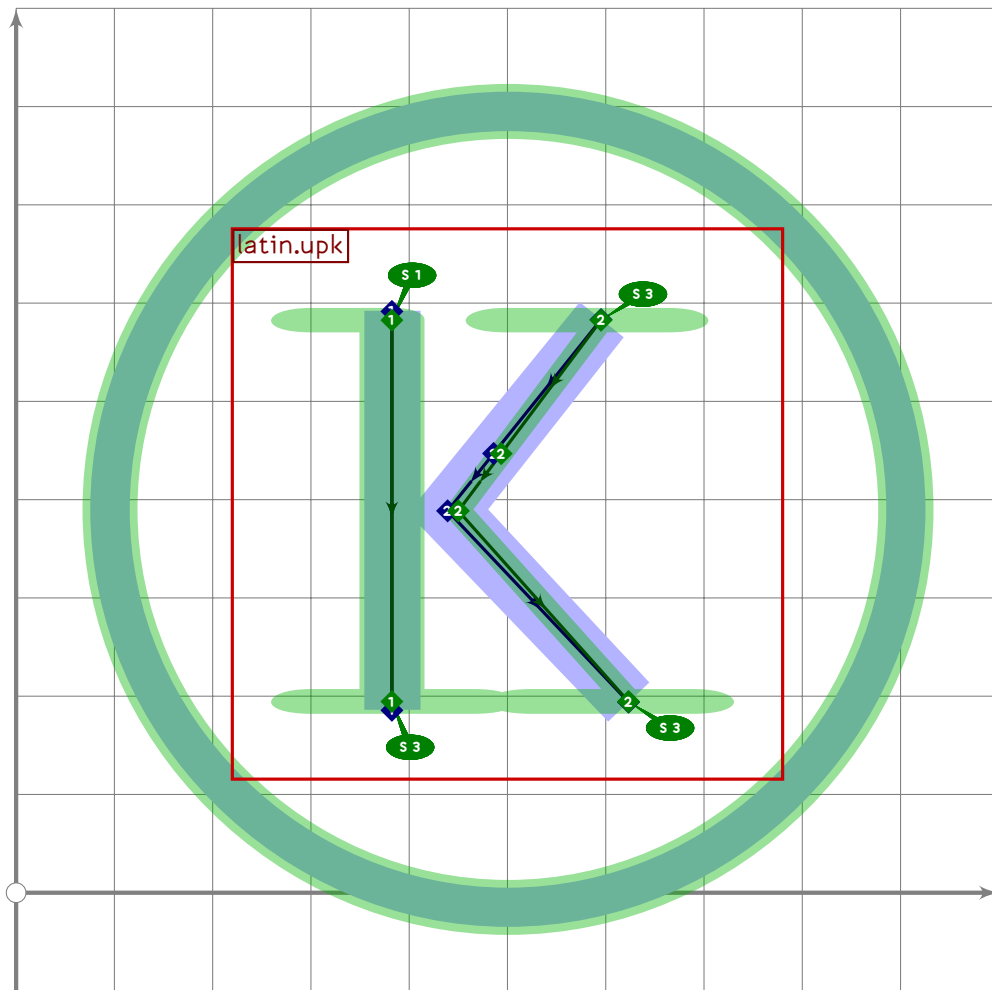
```
268 % I
269 begint Suglyph("uni24BE",190);
270 tsu_curve.circle.single;
271 tsu_xform(tsu_xf.cletter)(tsu_curve.latin.upi);
272 tsu_render;
273 endsuglyph;
274
```



```

275 % J
276 begint Suglyph("uni24BF",191);
277 tsu_curve.circle.single;
278 tsu_xform(tsu_xf.cletter)(tsu_curve.latin.upj);
279 tsu_render;
280 endsuglyph;
281

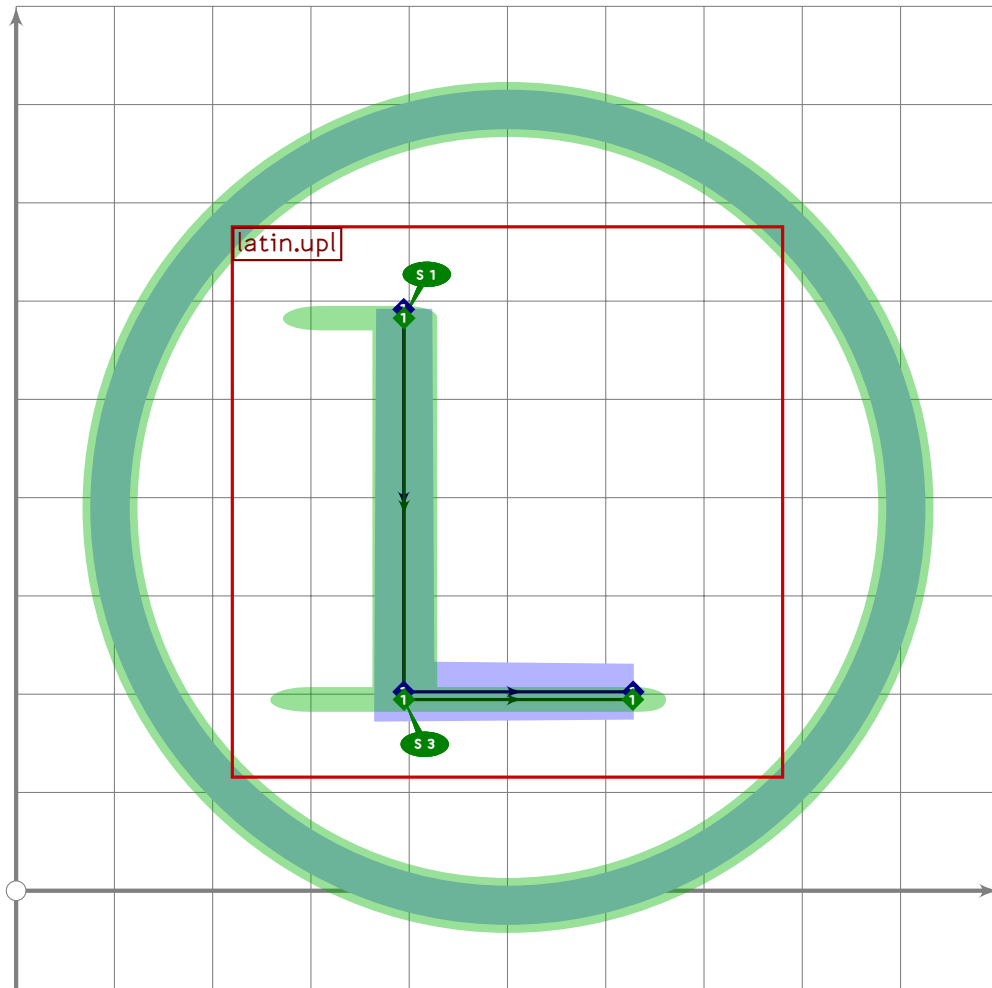
```



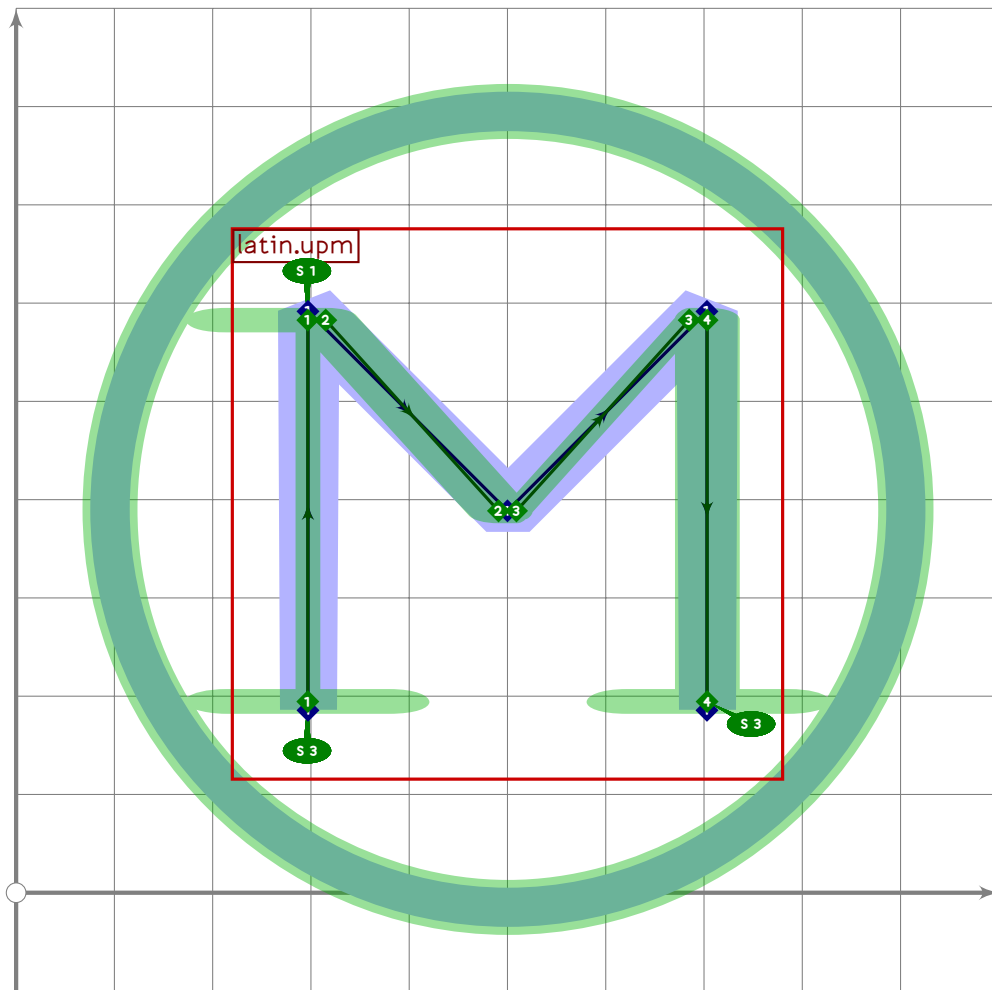
```

282 % K
283 begint Suglyph("uni24C0";192);
284   tsu_curve.circle.single;
285   tsu_xform(tsu_xf.cletter)(tsu_curve.latin.upk);
286   tsu_render;
287 endsuglyph;
288

```



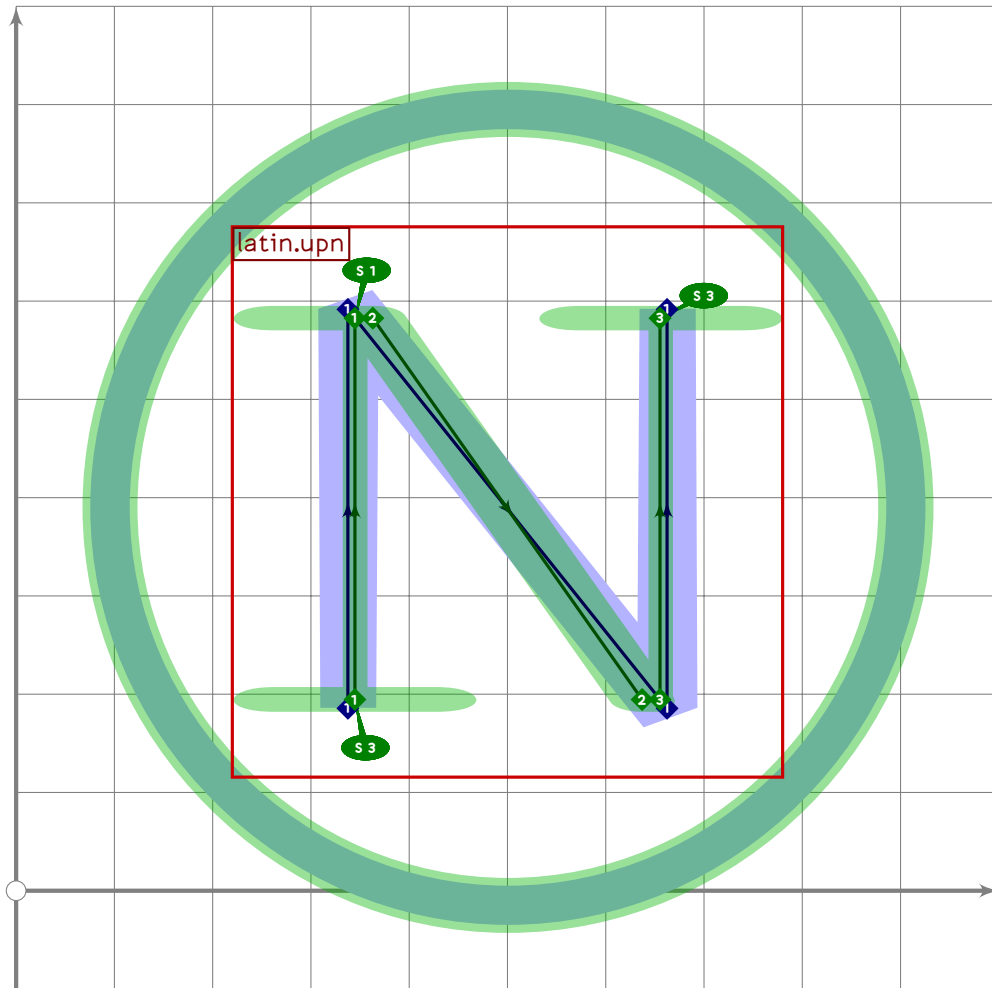
```
289 % L
290 beginsuglyph("uni24C1";193);
291 tsu_curve.circle.single;
292 tsu_xform(tsu_xf.cletter)(tsu_curve.latin.upl);
293 tsu_render;
294 endsuglyph;
295
```

```

296 % M
297 begint Suglyph("uni24C2",194);
298   tsu_curve.circle.single;
299   tsu_xform(tsu_xf.cletter)(tsu_curve.latin.upm);
300   tsu_render;
301 endsuglyph;
302

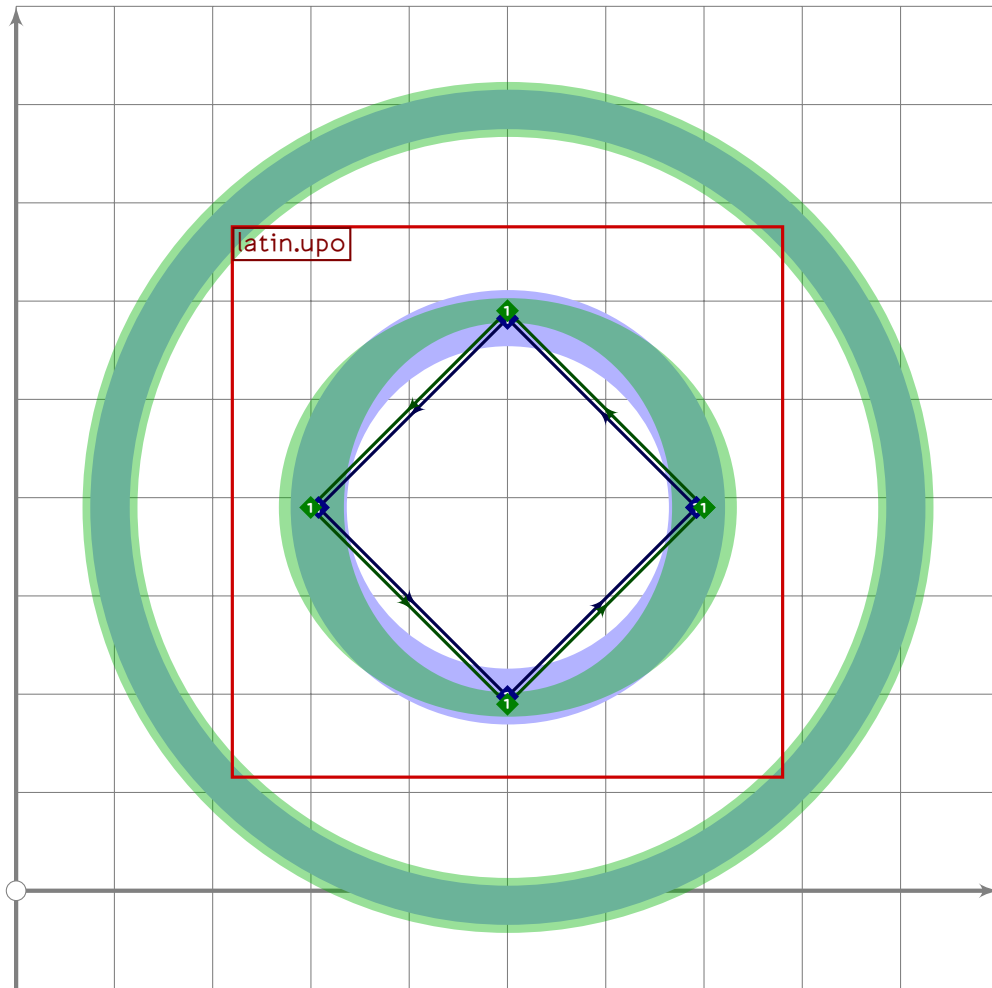
```



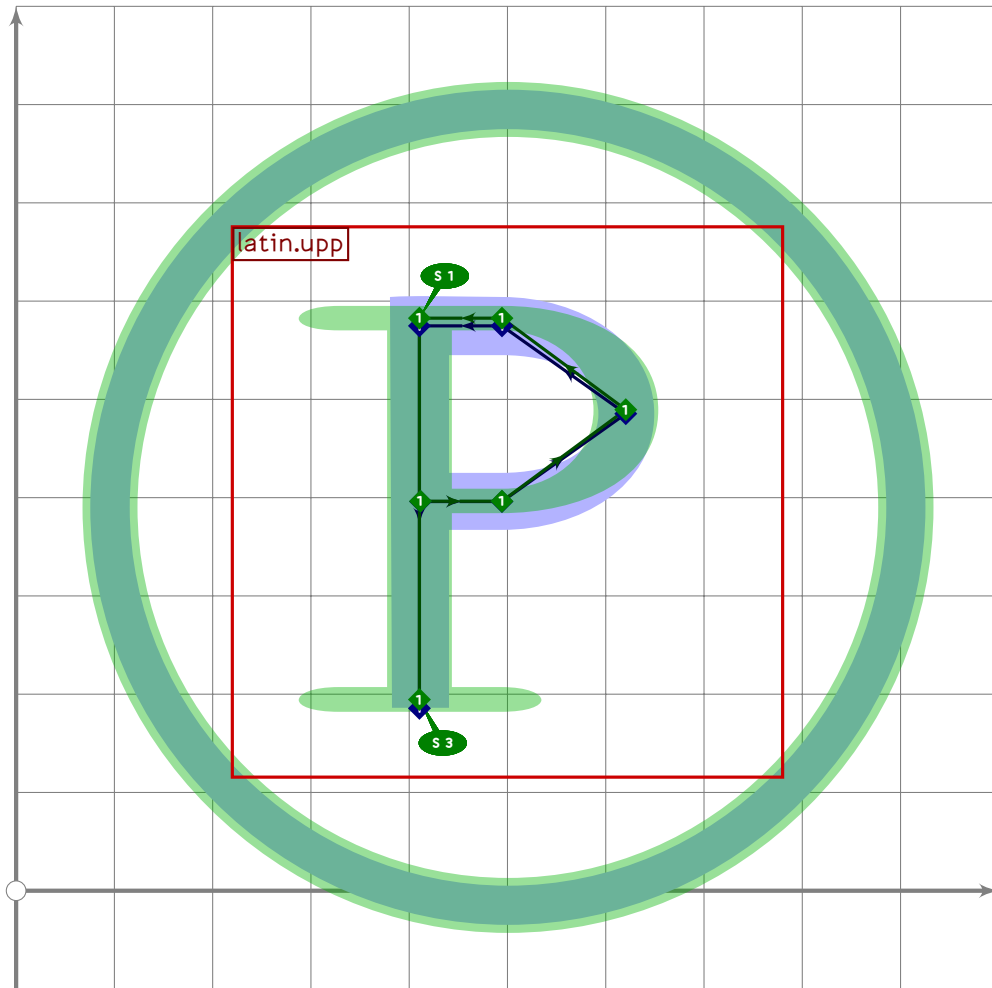
```

303 % N
304 begint Suglyph("uni24C3",195);
305   tsu_curve.circle.single;
306   tsu_xform(tsu_xf.cletter)(tsu_curve.latin.upn);
307   tsu_render;
308 endsuglyph;
309

```



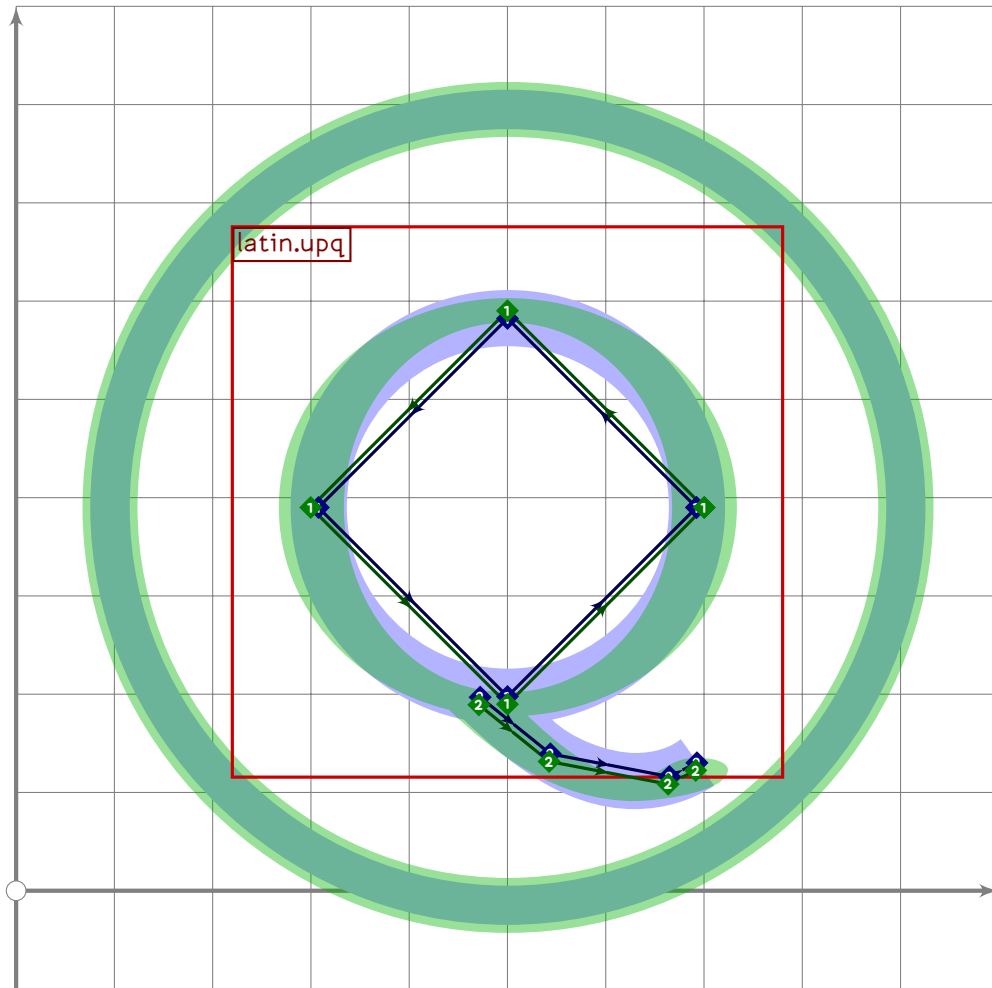
```
310 % O
311 begint Suglyph("uni24C4",196);
312 tsu_curve.circle.single;
313 tsu_xform(tsu_xf.cletter)(tsu_curve.latin.upo);
314 tsu_render;
315 endsuglyph;
316
```



```

317 % P
318 begint Suglyph("uni24C5",197);
319   tsu_curve.circle.single;
320   tsu_xform(tsu_xf.cletter)(tsu_curve.latin.upp);
321   tsu_render;
322 endsuglyph;
323

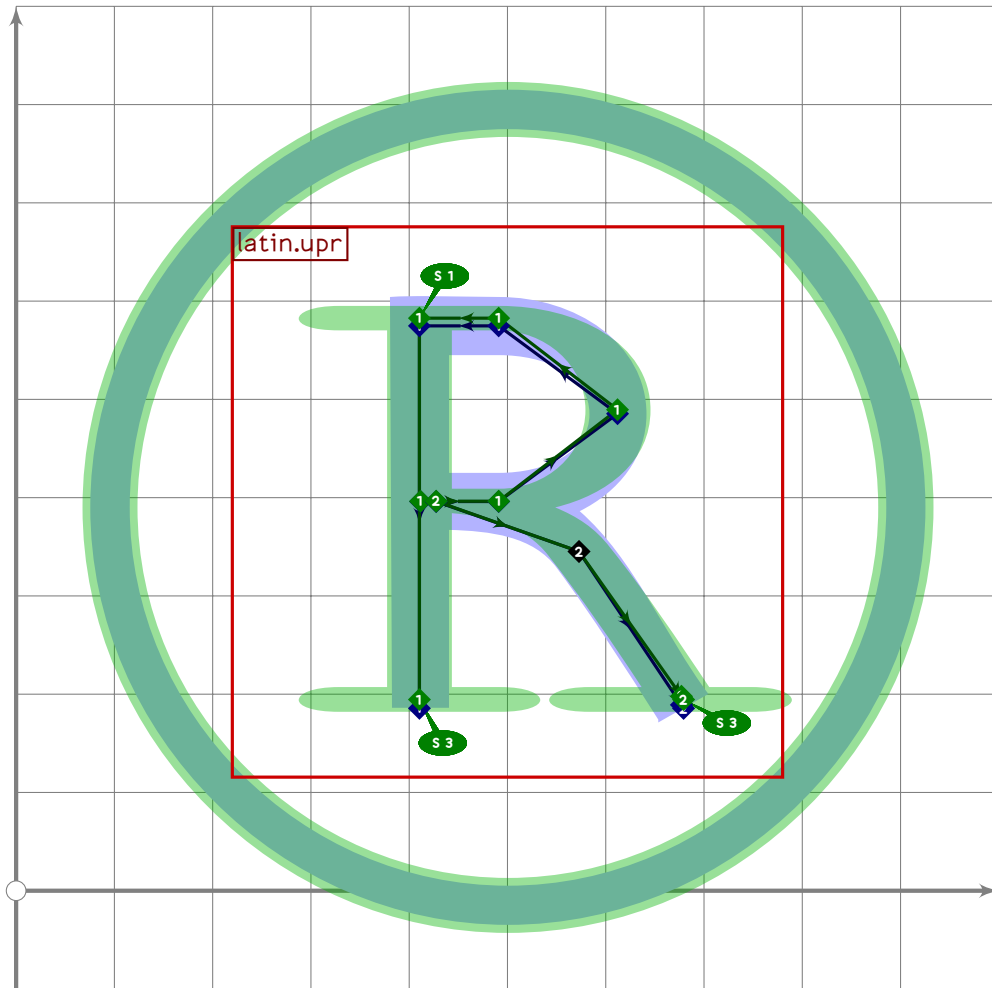
```



```

324 % Q
325 begint Suglyph("uni24C6",198);
326 tsu_curve.circle.single;
327 tsu_xform(tsu_xf.cletter)(tsu_curve.latin.upq);
328 tsu_render;
329 endsuglyph;
330

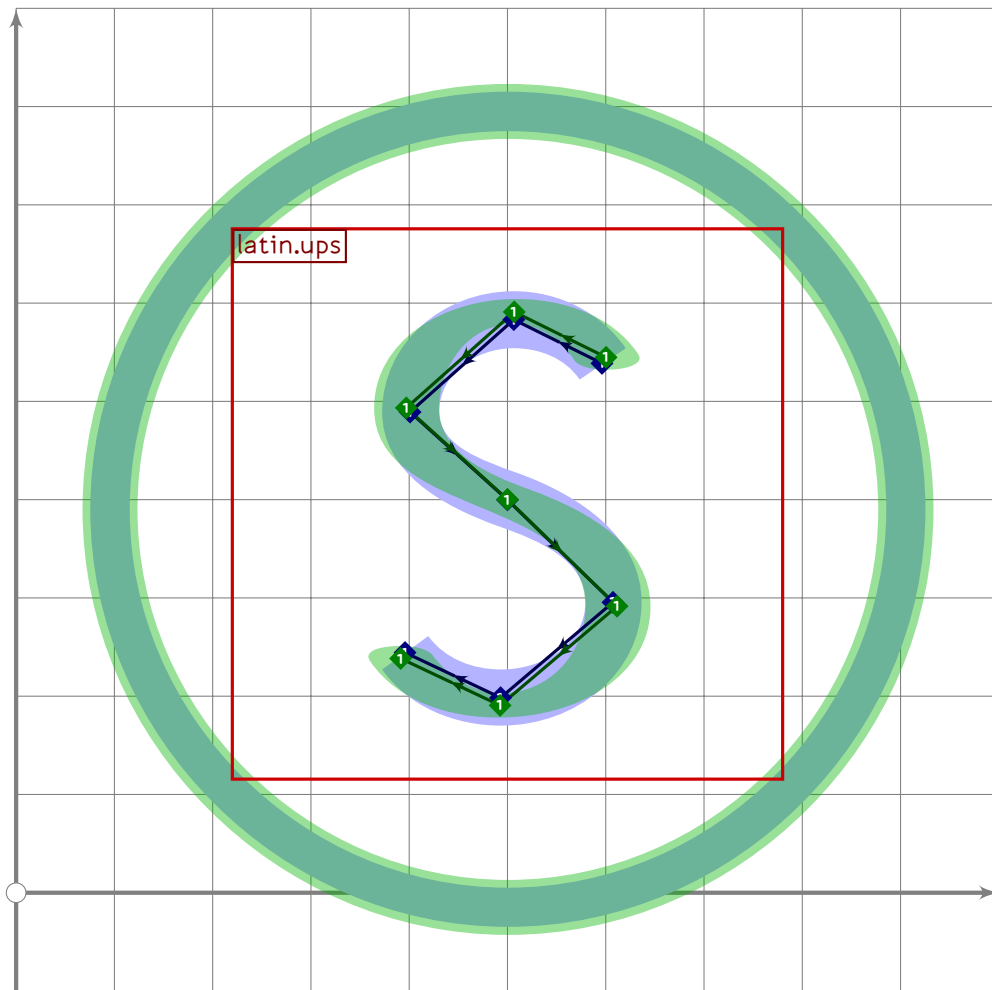
```



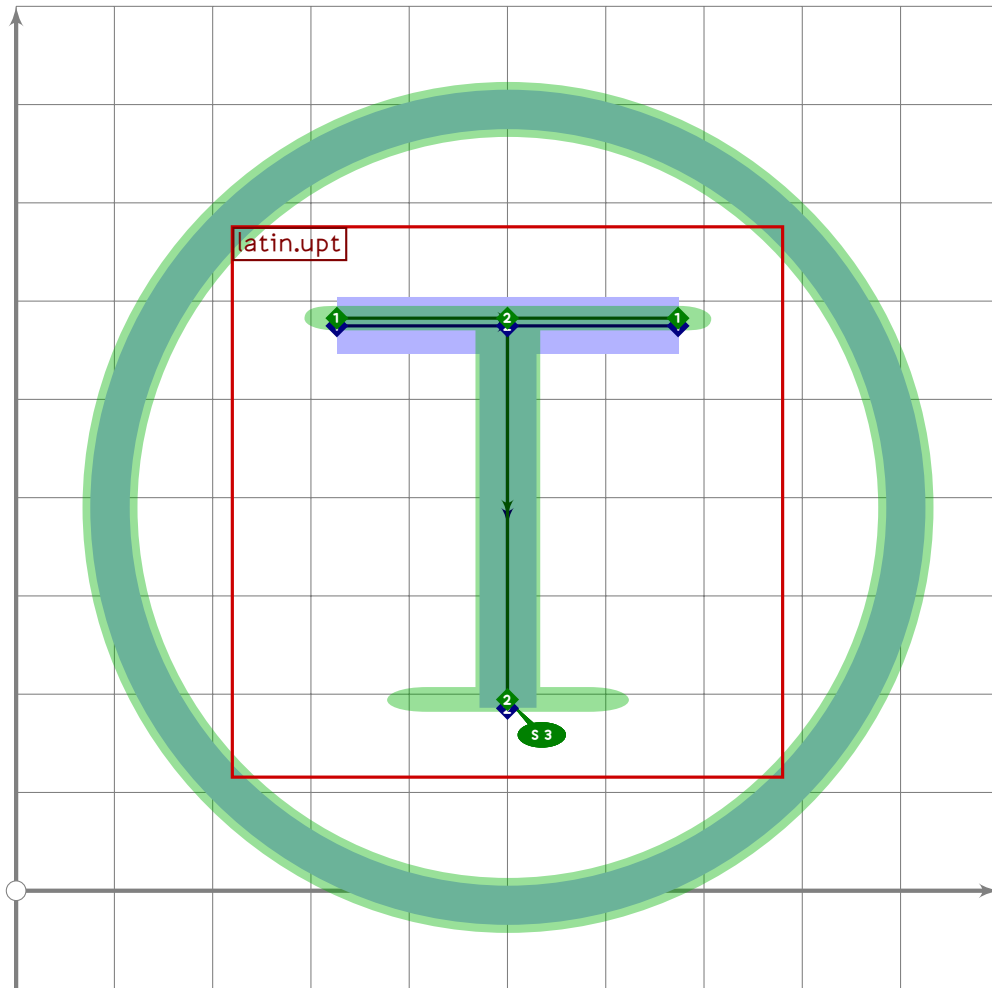
```

331 % R
332 begint Suglyph("uni24C7",199);
333   tsu_curve.circle.single;
334   tsu_xform(tsu_xf.cletter)(tsu_curve.latin.upr);
335   tsu_render;
336 endsuglyph;
337

```



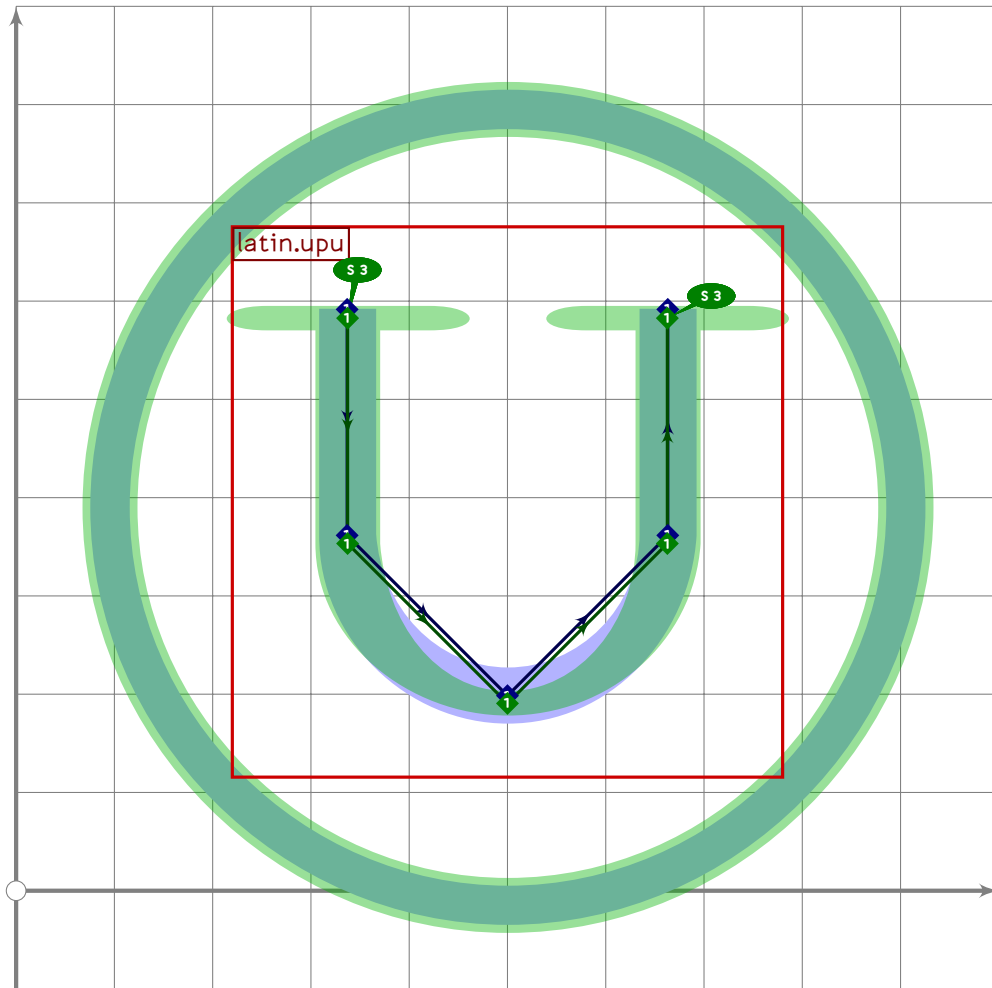
```
338 % S
339 begint Suglyph("uni24C8";200);
340 tsu_curve.circle.single;
341 tsu_xform(tsu_xf.cletter)(tsu_curve.latin.ups);
342 tsu_render;
343 endtsuglyph;
344
```



```

345 % T
346 begint Suglyph("uni24C9";201);
347 tsu_curve.circle.single;
348 tsu_xform(tsu_xf.cletter)(tsu_curve.latin.upt);
349 tsu_render;
350 endsuglyph;
351

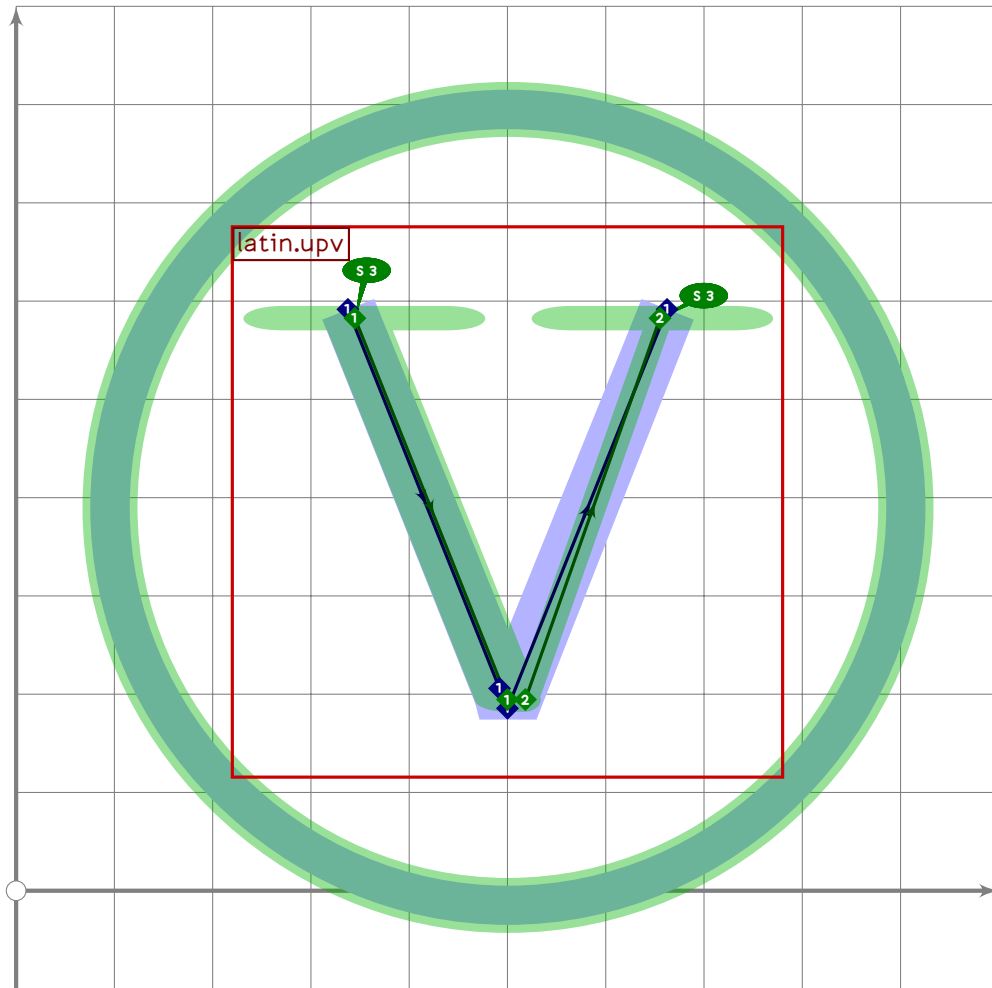
```

```

352 % U
353 begint Suglyph("uni24CA";202);
354 tsu_curve.circle.single;
355 tsu_xform(tsu_xf.cletter)(tsu_curve.latin.upu);
356 tsu_render;
357 endsuglyph;
358

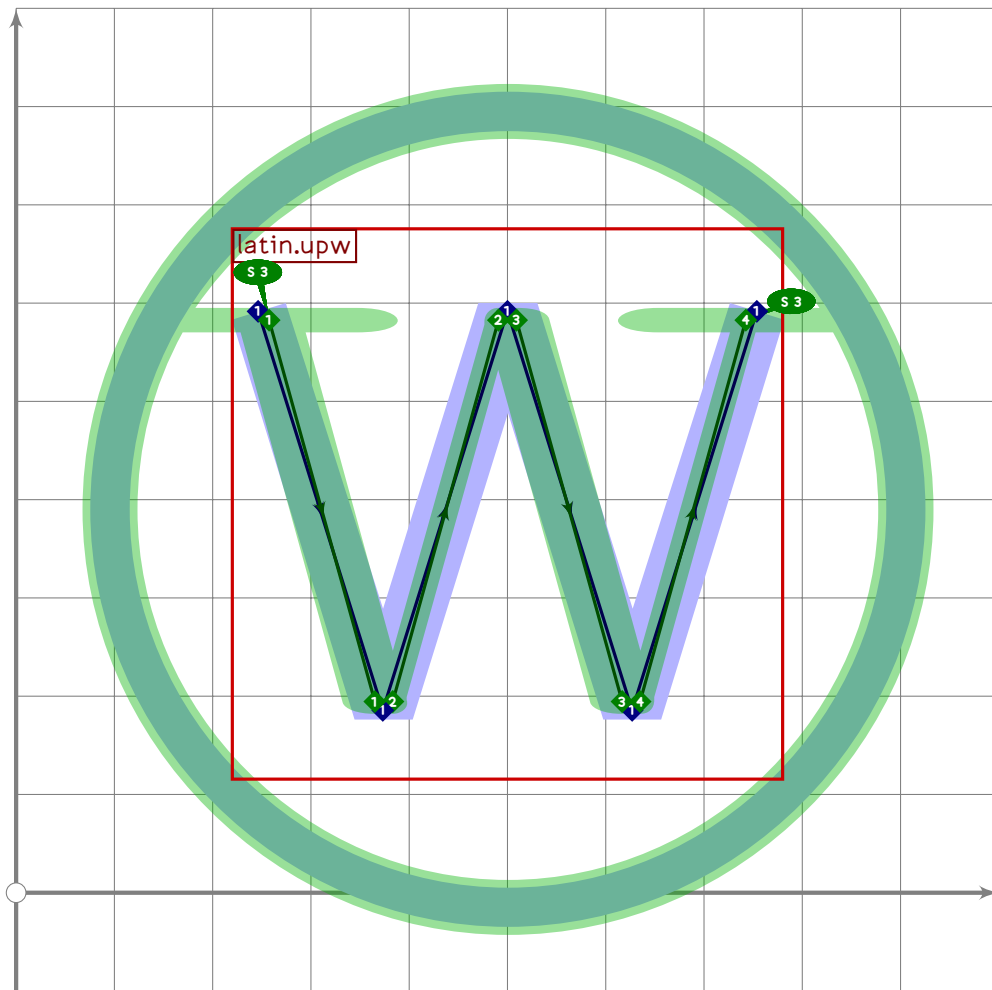
```



```

359 % V
360 begint Suglyph("uni24CB";203);
361   tsu_curve.circle.single;
362   tsu_xform(tsu_xf.cletter)(tsu_curve.latin.upv);
363   tsu_render;
364 endsuglyph;
365

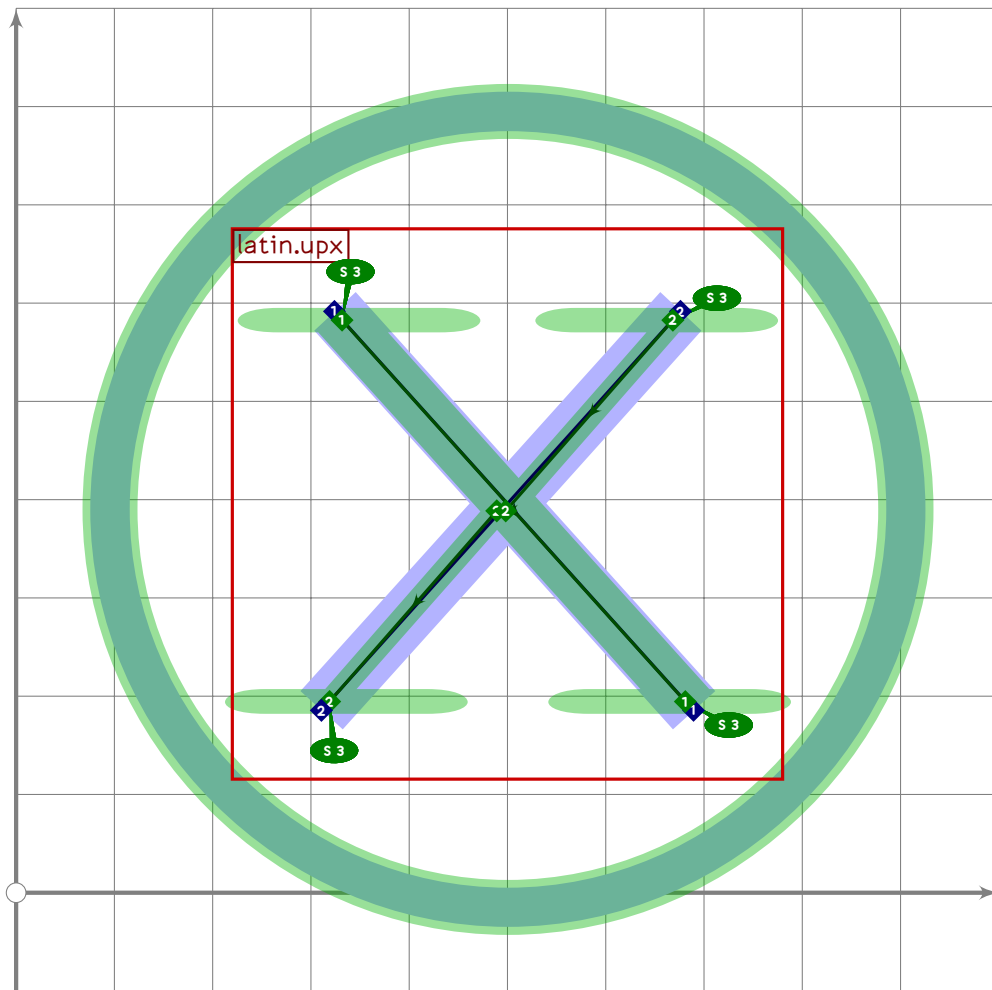
```



```

366 % W
367 begint Suglyph("uni24CC";204);
368   tsu_curve.circle.single;
369   tsu_xform(tsu_xf.cletter)(tsu_curve.latin.upw);
370   tsu_render;
371 endsuglyph;
372

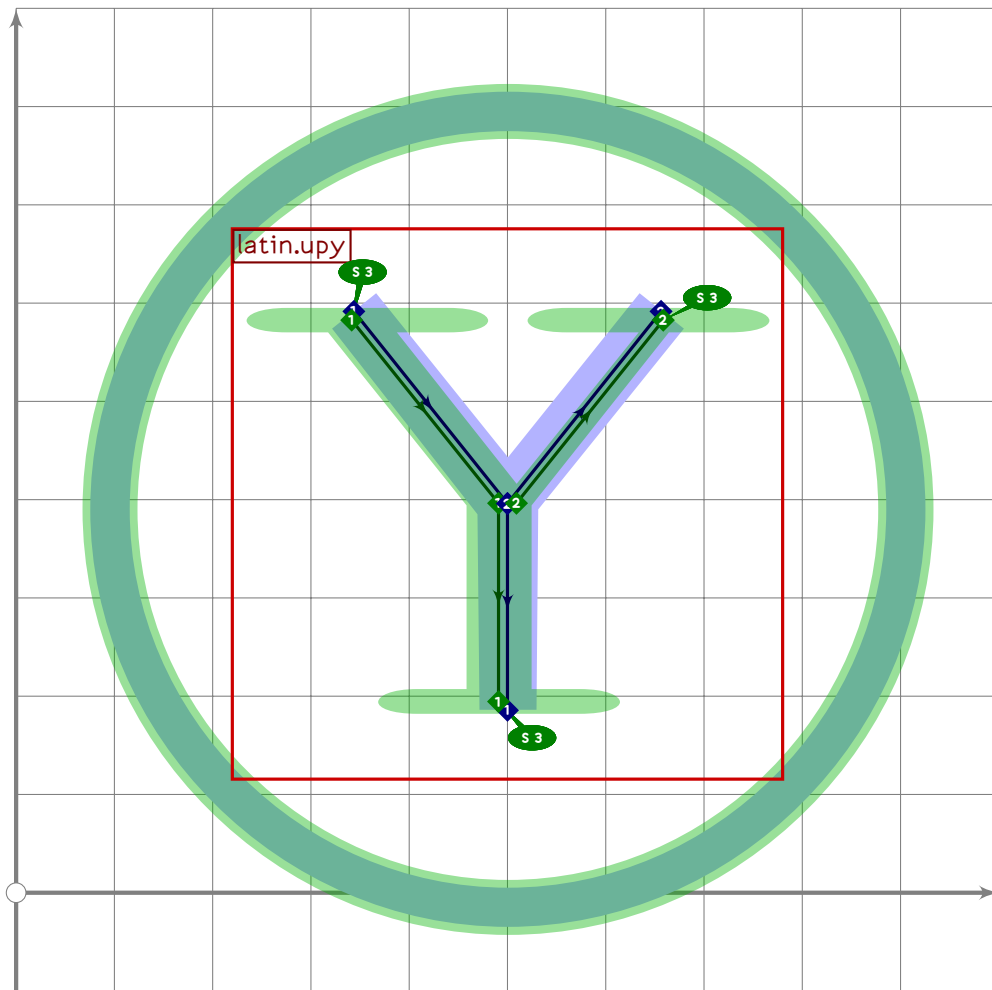
```



```

373 % X
374 beginsuglyph("uni24CD";205);
375   tsu_curve.circle.single;
376   tsu_xform(tsu_xf.cletter)(tsu_curve.latin.upx);
377   tsu_render;
378 endsuglyph;
379

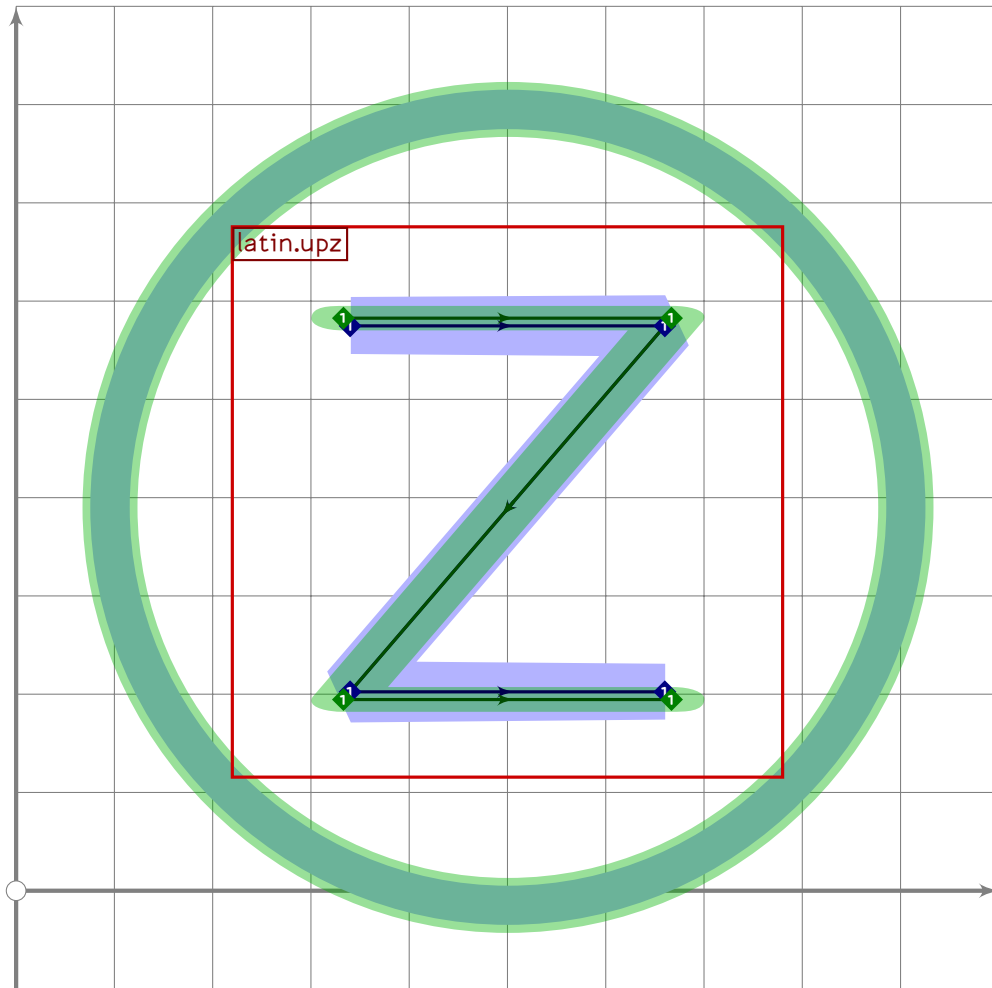
```



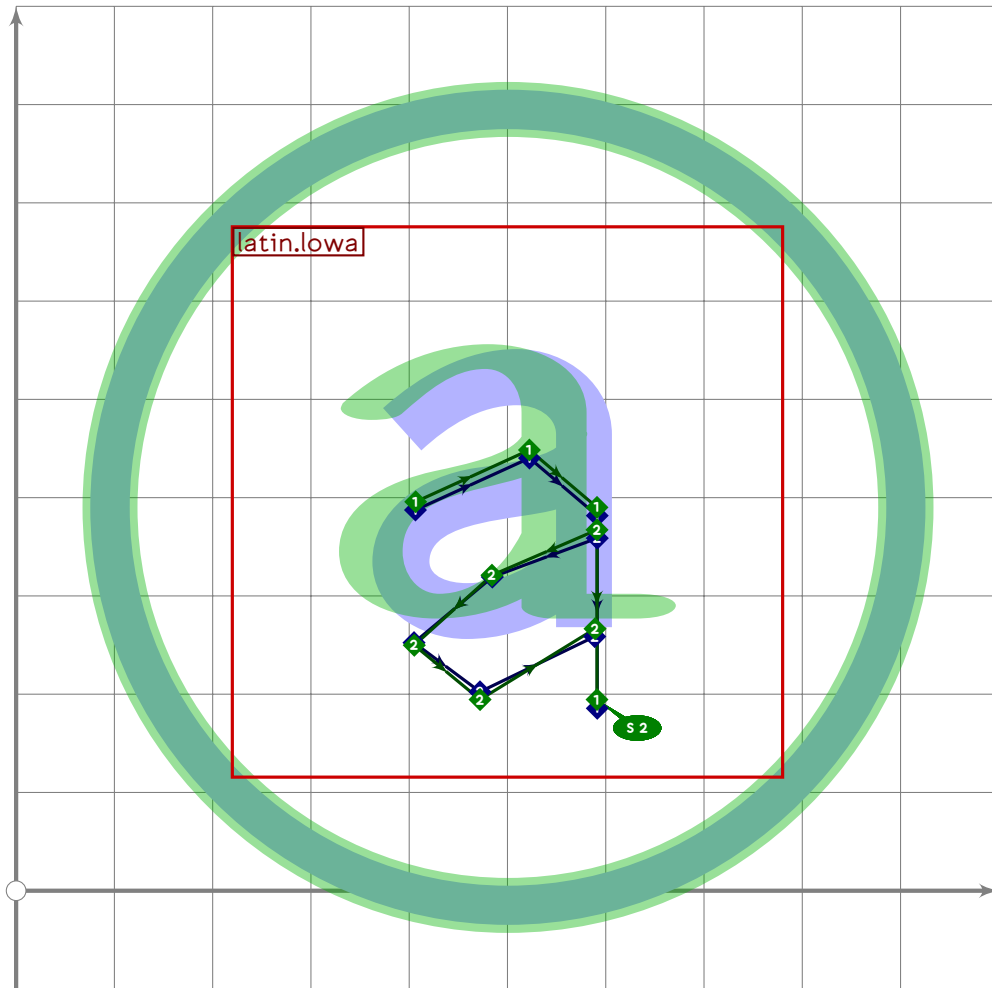
```

380 % Y
381 begint Suglyph("uni24CE";206);
382 tsu_curve.circle.single;
383 tsu_xform(tsu_xf.cletter)(tsu_curve.latin.upy);
384 tsu_render;
385 endsuglyph;
386

```



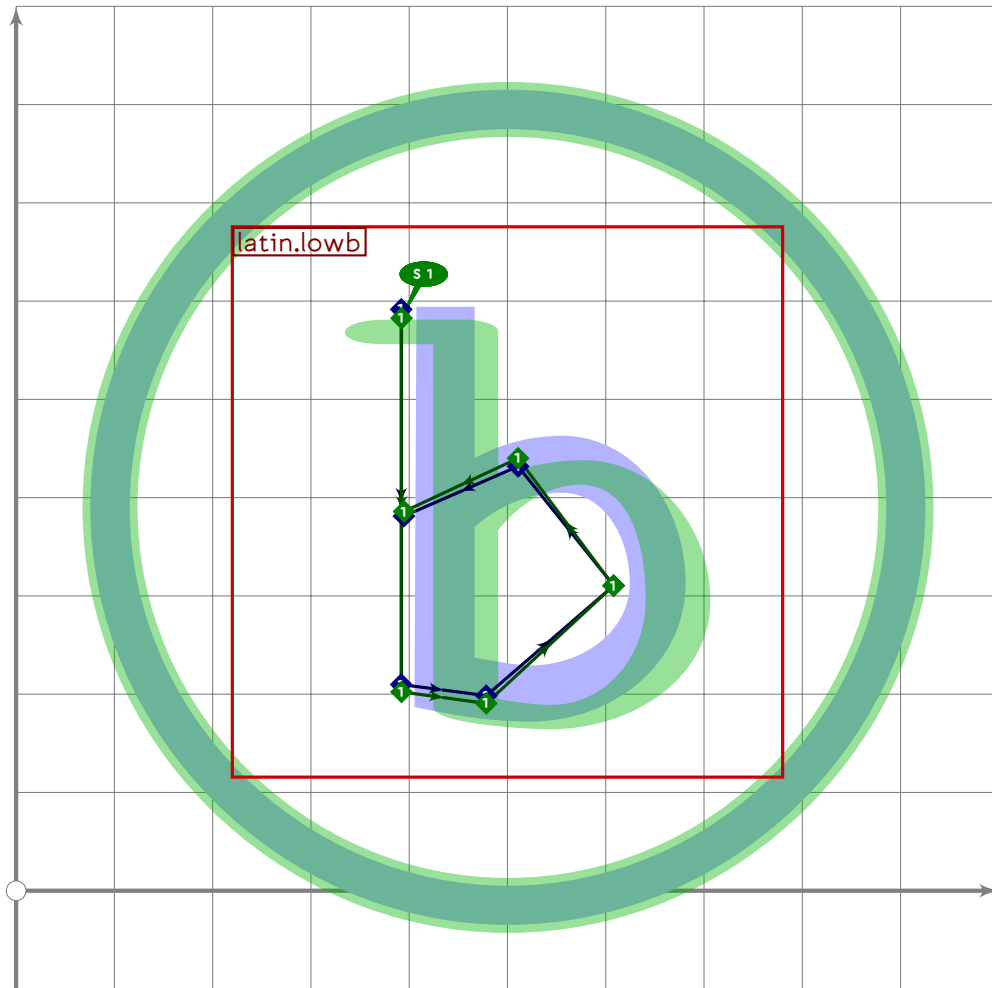
```
387 % Z
388 begint Suglyph("uni24CF";207);
389 tsu_curve.circle.single;
390 tsu_xform(tsu_xf.cletter)(tsu_curve.latin.upz);
391 tsu_render;
392 endsuglyph;
393
```



```

394 % a
395 begint Suglyph("uni24D0";208);
396   tsu_curve.circle.single;
397   tsu_xform(tsu_xf.cletter)(tsu_curve.latin.lowa);
398   tsu_render_in_circle(tsu_xf.cbound);
399 endsuglyph;
400

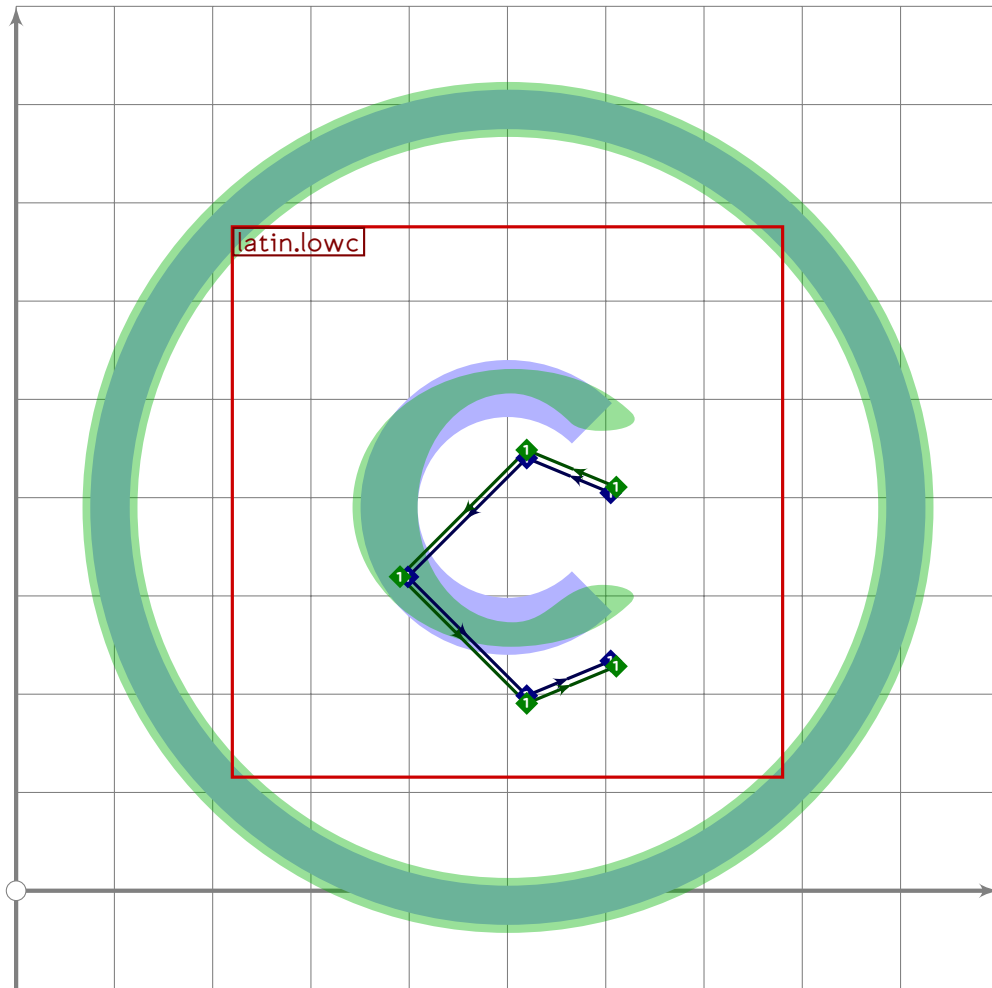
```



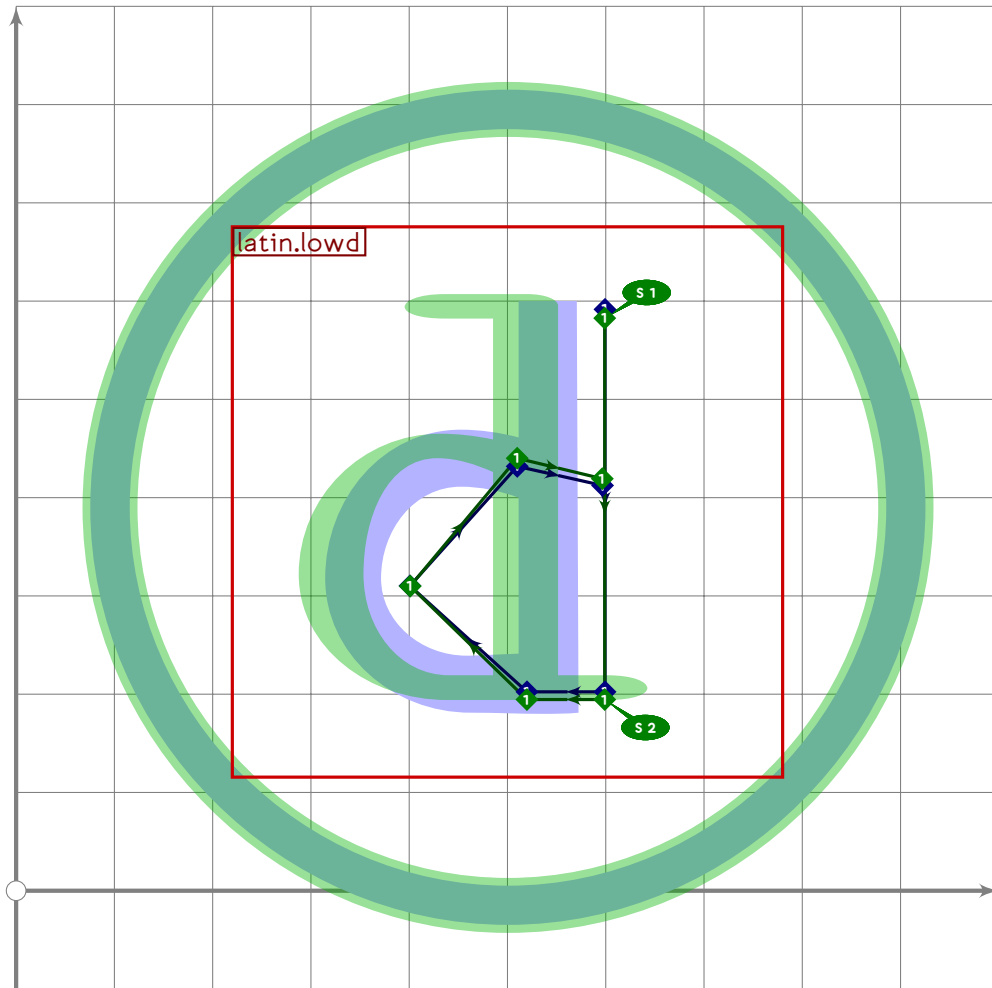
```

401 % b
402 begint Suglyph("uni24D1";209);
403   tsu_curve.circle.single;
404   tsu_xform(tsu_xf.cletter)(tsu_curve.latin.lowb);
405   tsu_render_in_circle(tsu_xf.cbound);
406 endsuglyph;
407

```

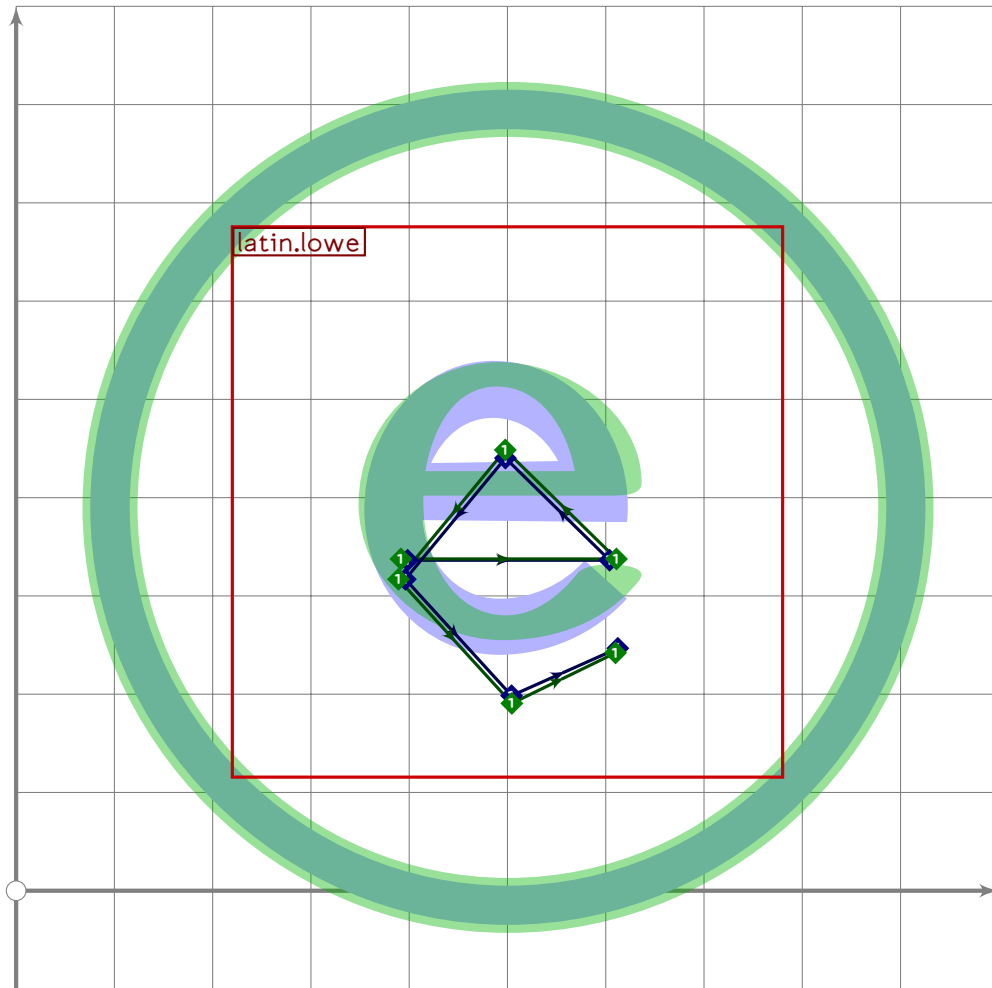
```
408 % c
409 begint Suglyph("uni24D2",210);
410   tsu_curve.circle.single;
411   tsu_xform(tsu_xf.cletter)(tsu_curve.latin.lowc);
412   tsu_render_in_circle(tsu_xf.cbound);
413 endsuglyph;
414
```



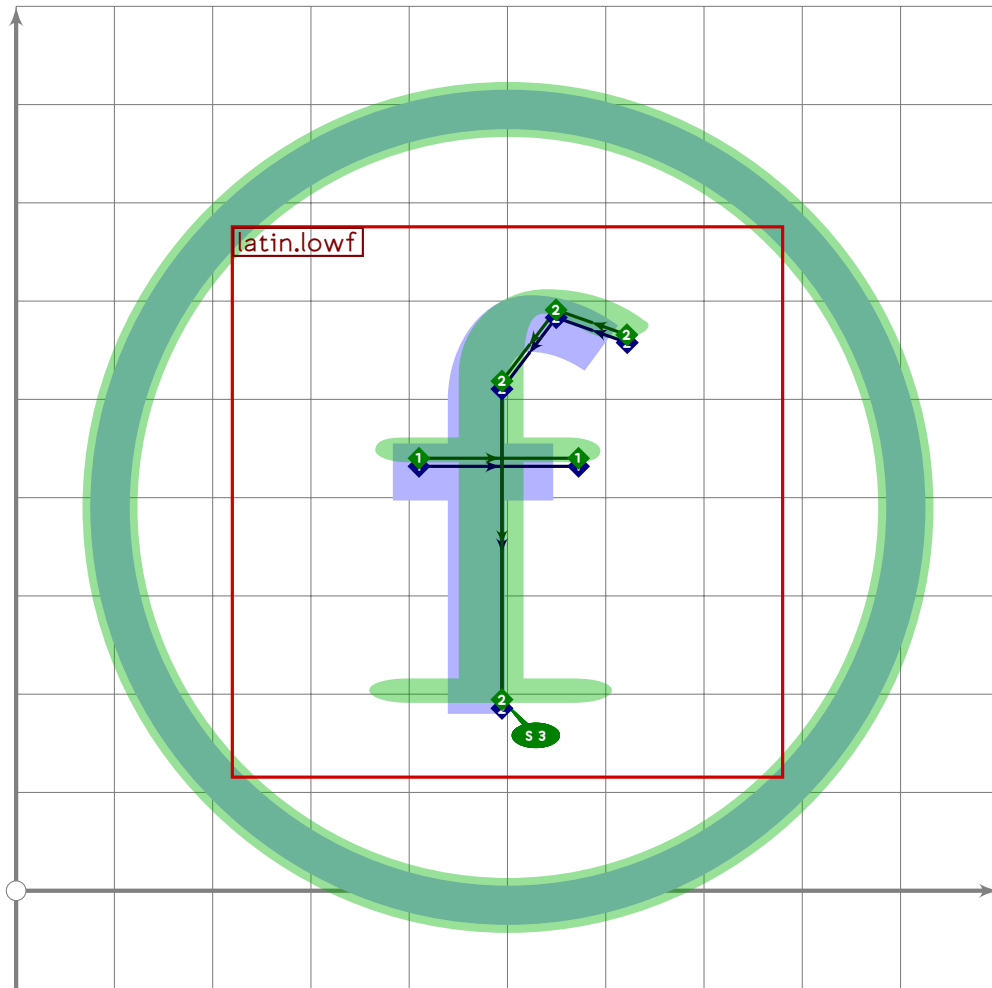
```

415 % d
416 begint Suglyph("uni24D3";211);
417   tsu_curve.circle.single;
418   tsu_xform(tsu_xf.cletter)(tsu_curve.latin.lowd);
419   tsu_render_in_circle(tsu_xf.cbound);
420 endsuglyph;
421

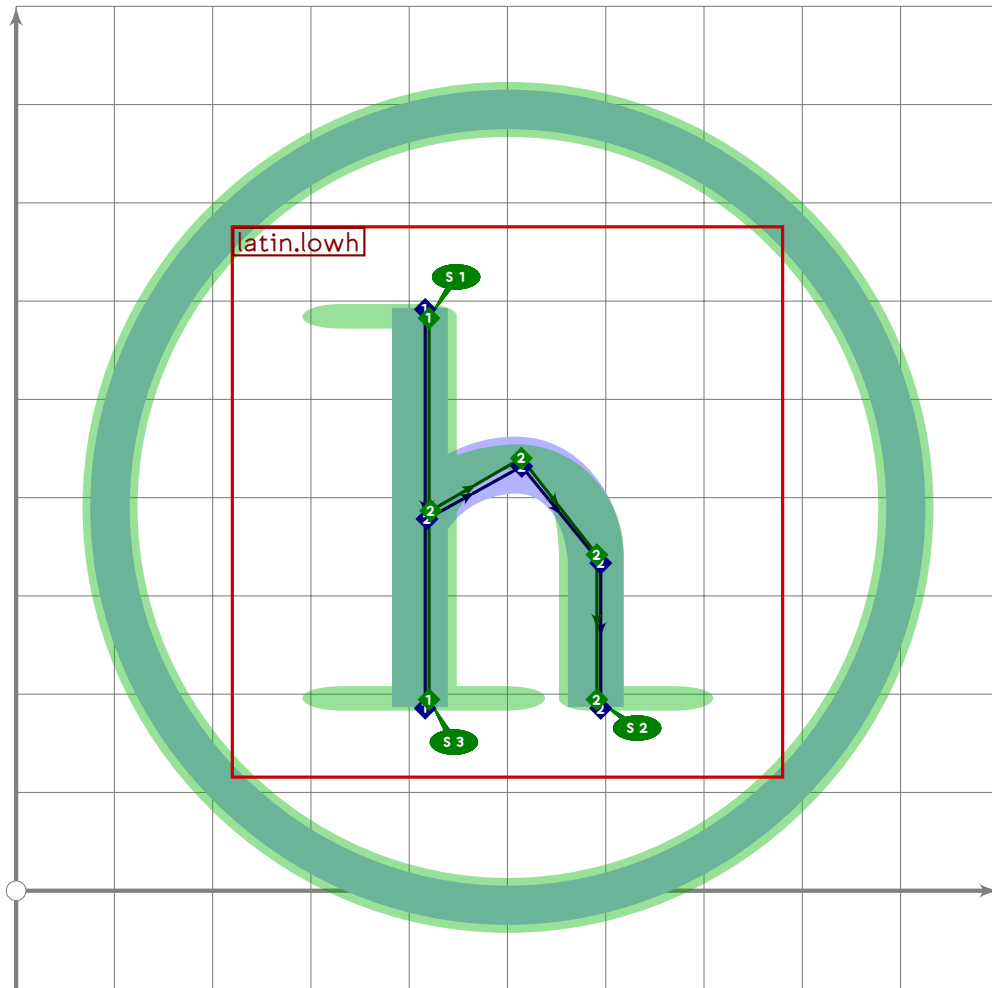
```



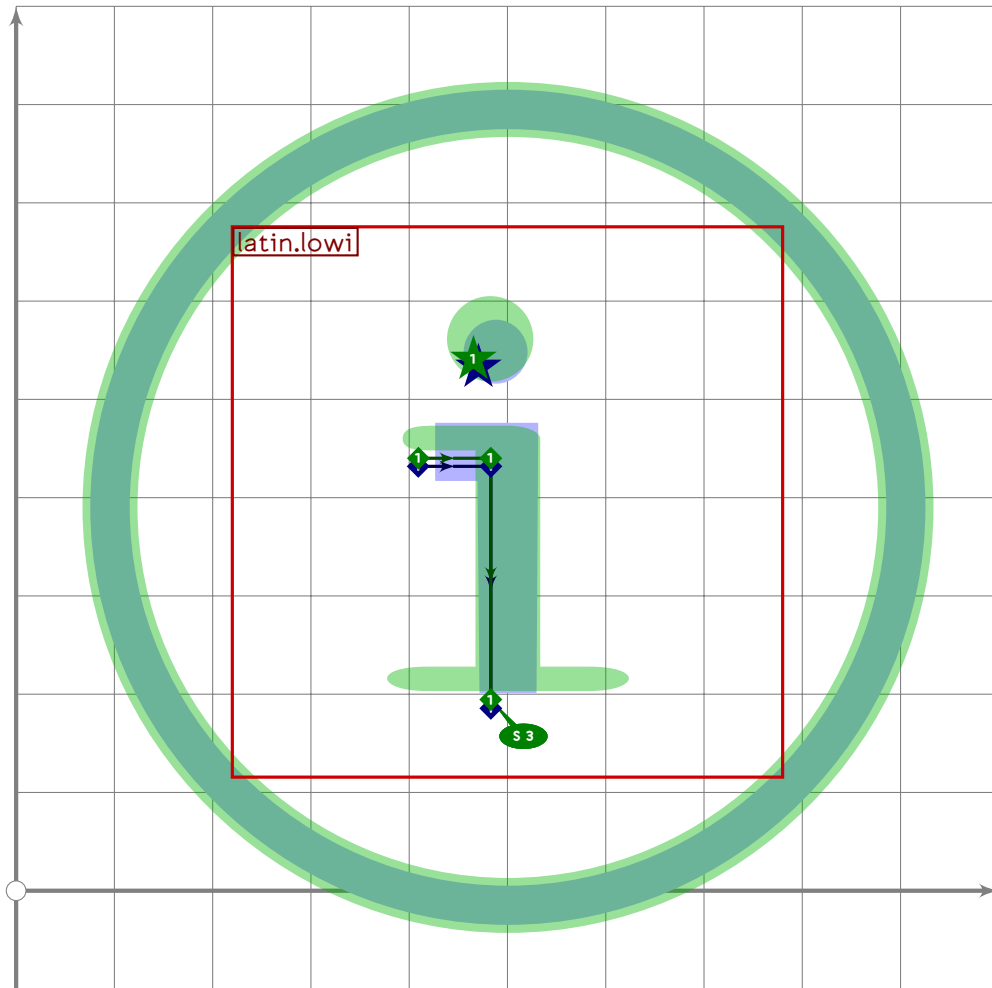
```
422 % e
423 begint Suglyph("uni24D4";212);
424   tsu_curve.circle.single;
425   tsu_xform(tsu_xf.cletter)(tsu_curve.latin.lowe);
426   tsu_render_in_circle(tsu_xf.cbound);
427 endsuglyph;
428
```



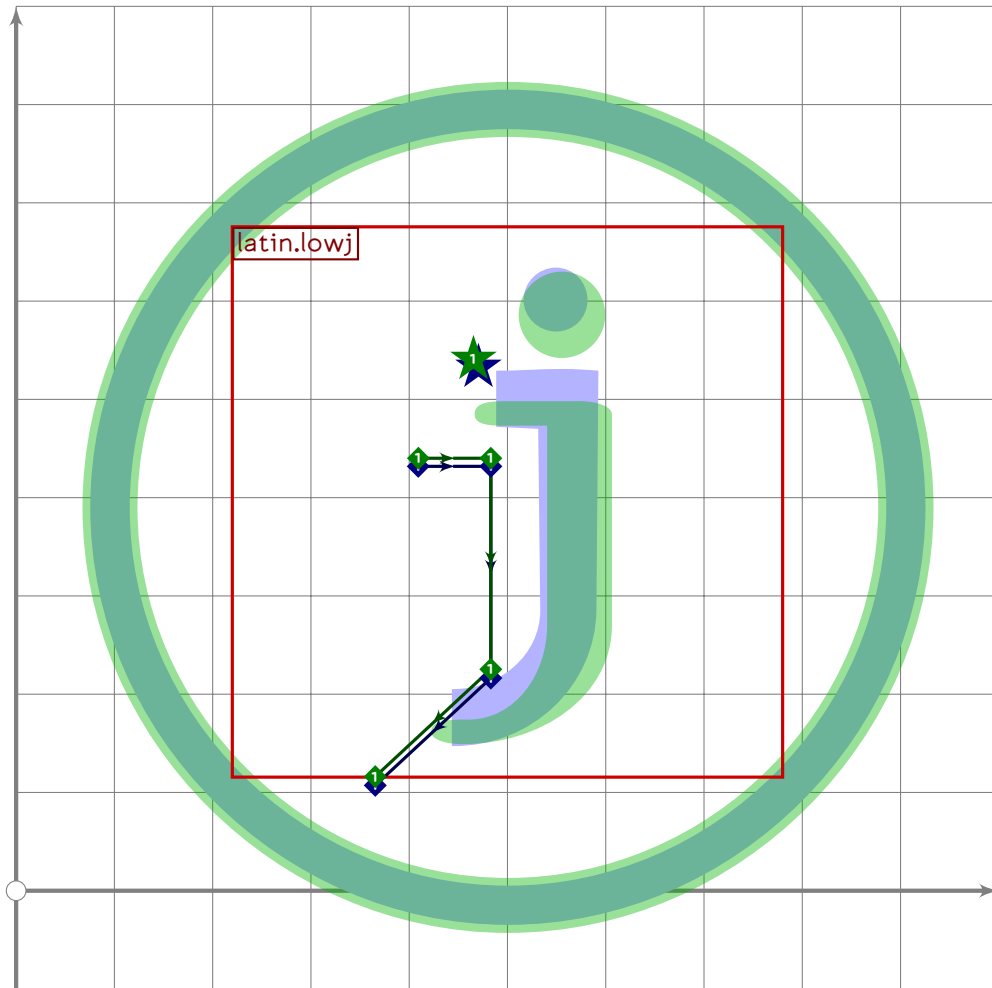
```
429 % f
430 begint Suglyph("uni24D5",213);
431 tsu_curve.circle.single;
432 tsu_xform(tsu_xf.cletter)(tsu_curve.latin.lowf);
433 tsu_render_in_circle(tsu_xf.cbound);
434 endsuglyph;
435
```

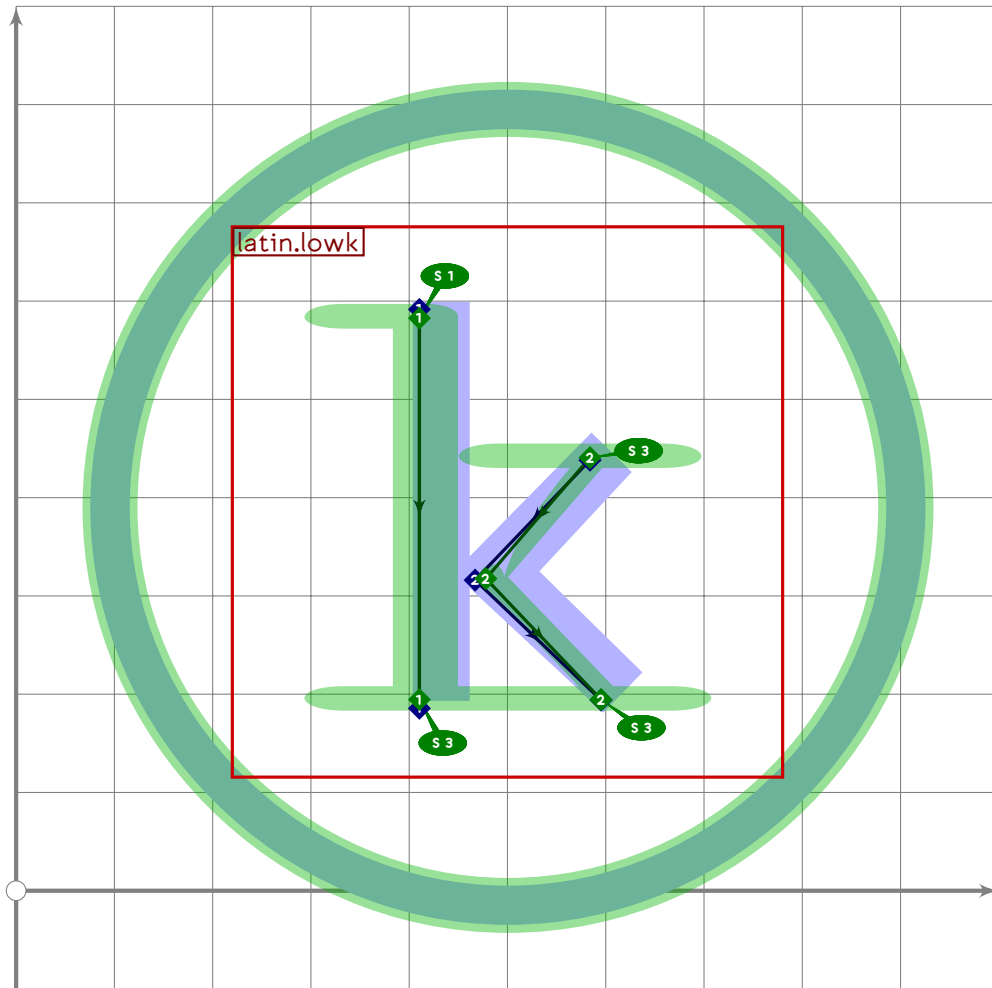
```
443 % h
444 begint Suglyph("uni24D7",215);
445 tsu_curve.circle.single;
446 tsu_xform(tsu_xf.cletter)(tsu_curve.latin.lowh);
447 tsu_render_in_circle(tsu_xf.cbound);
448 endsuglyph;
449
```



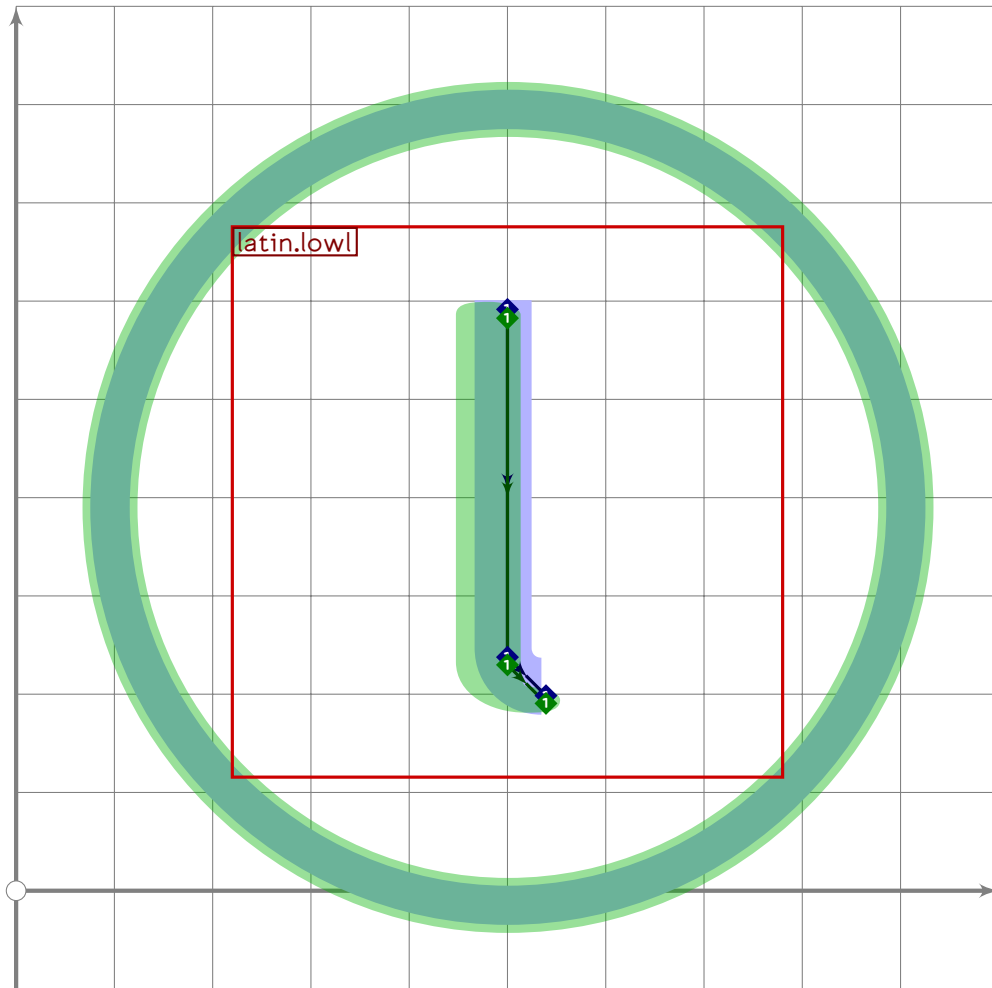
```
450 % i
451 beginsuglyph("uni24D8";216);
452 tsu_curve.circle.single;
453 tsu_xform(tsu_xf.cletter)(tsu_curve.latin.lowi);
454 tsu_render_in_circle(tsu_xf.cbound);
455 endsuglyph;
456
```



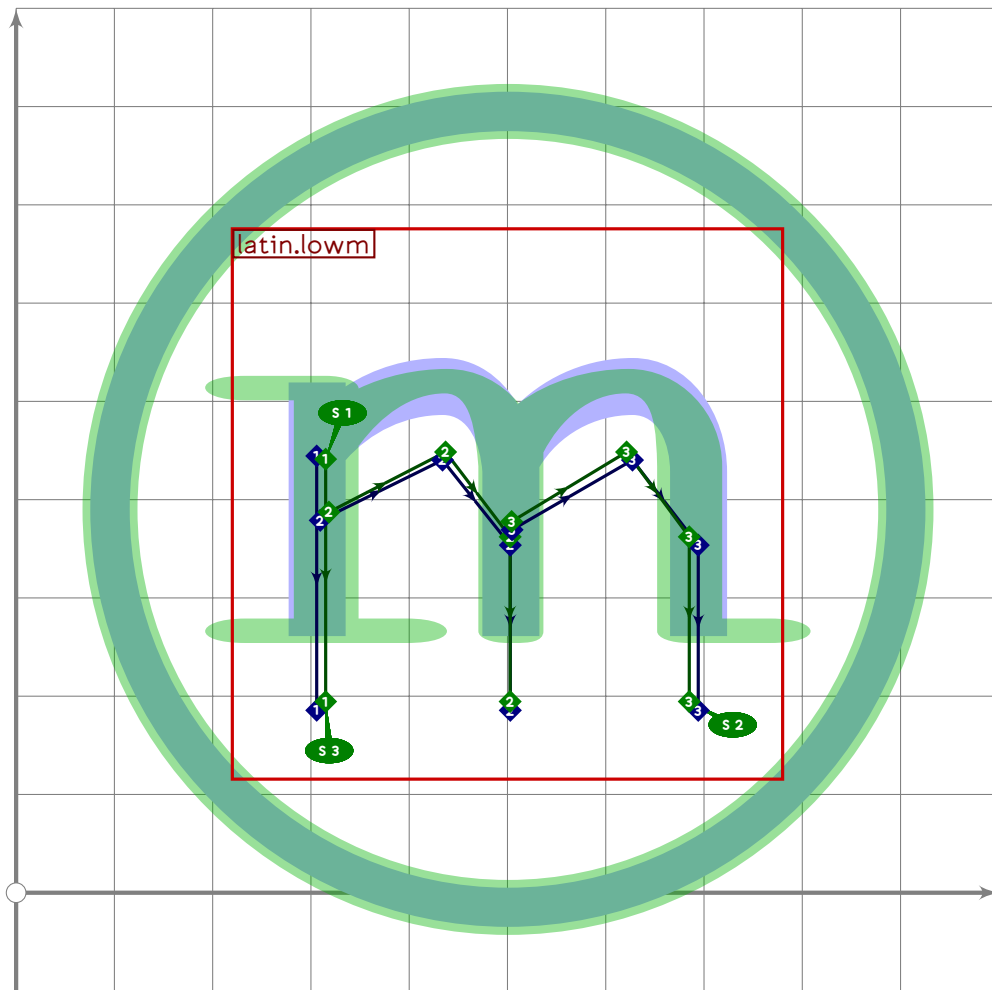
```
457 % j
458 begint Suglyph("uni24D9";217);
459 tsu_curve.circle.single;
460 tsu_xform(tsu_xf.cletter)(tsu_curve.latin.lowj);
461 tsu_render_in_circle(tsu_xf.cbound);
462 endsuglyph;
463
```

```
464 % k
465 begint Suglyph("uni24DA";218);
466 tsu_curve.circle.single;
467 tsu_xform(tsu_xf.cletter)(tsu_curve.latin.lowk);
468 tsu_render_in_circle(tsu_xf.cbound);
469 endsuglyph;
470
```



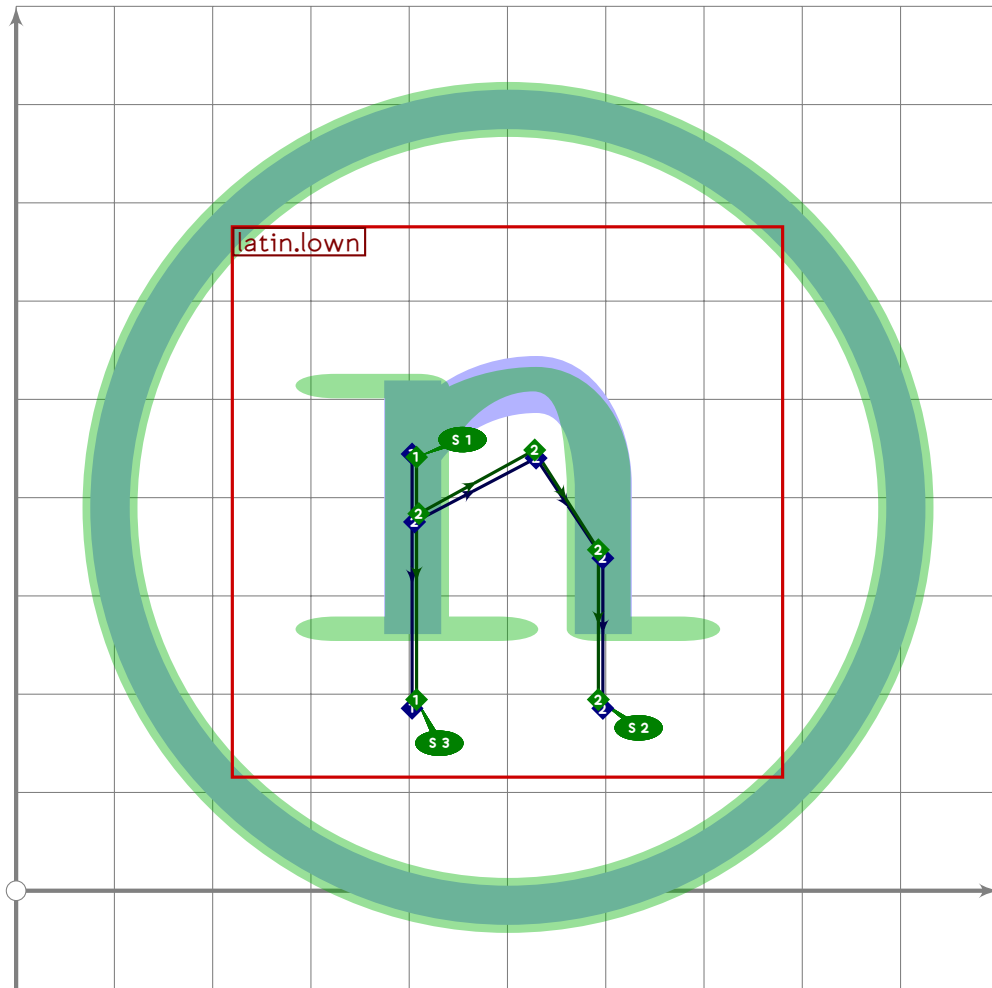
```
471 % l
472 begint Suglyph("uni24DB";219);
473 tsu_curve.circle.single;
474 tsu_xform(tsu_xf.cletter)(tsu_curve.latin.lowl);
475 tsu_render_in_circle(tsu_xf.cbound);
476 endsuglyph;
477
```



```

478 % m
479 begint Suglyph("uni24DC";220);
480 tsu_curve.circle.single;
481 tsu_xform(tsu_xf.cletter)(tsu_curve.latin.lowm);
482 tsu_render_in_circle(tsu_xf.cbound);
483 endsuglyph;
484

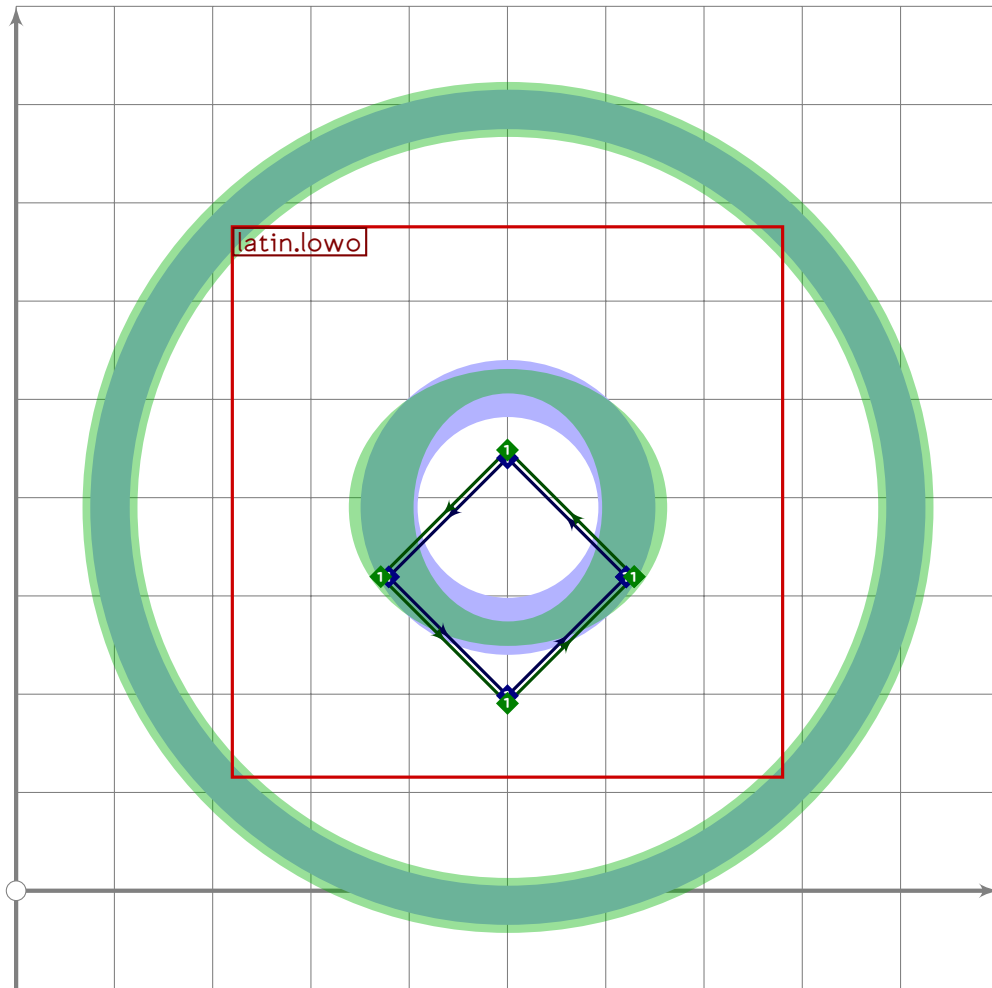
```



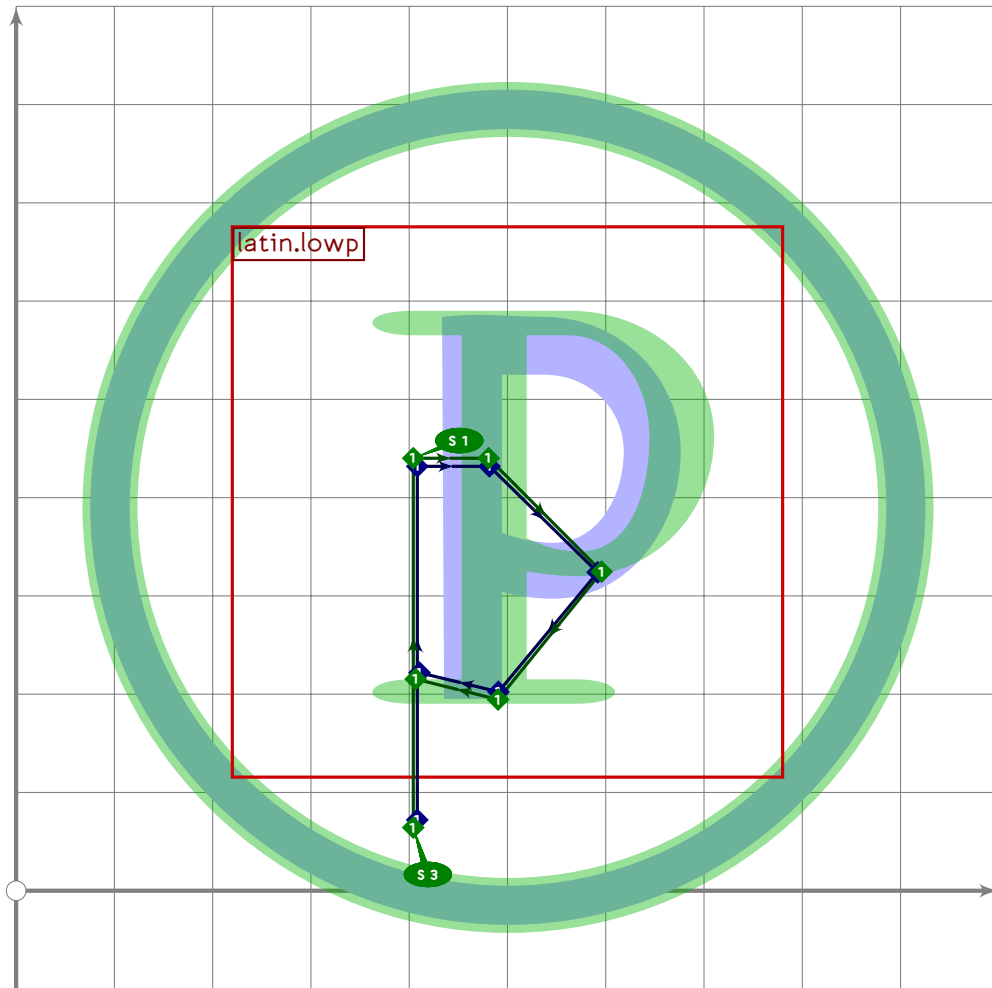
```

485 % n
486 begint Suglyph("uni24DD";221);
487 tsu_curve.circle.single;
488 tsu_xform(tsu_xf.cletter)(tsu_curve.latin.lown);
489 tsu_render_in_circle(tsu_xf.cbound);
490 endsuglyph;
491

```



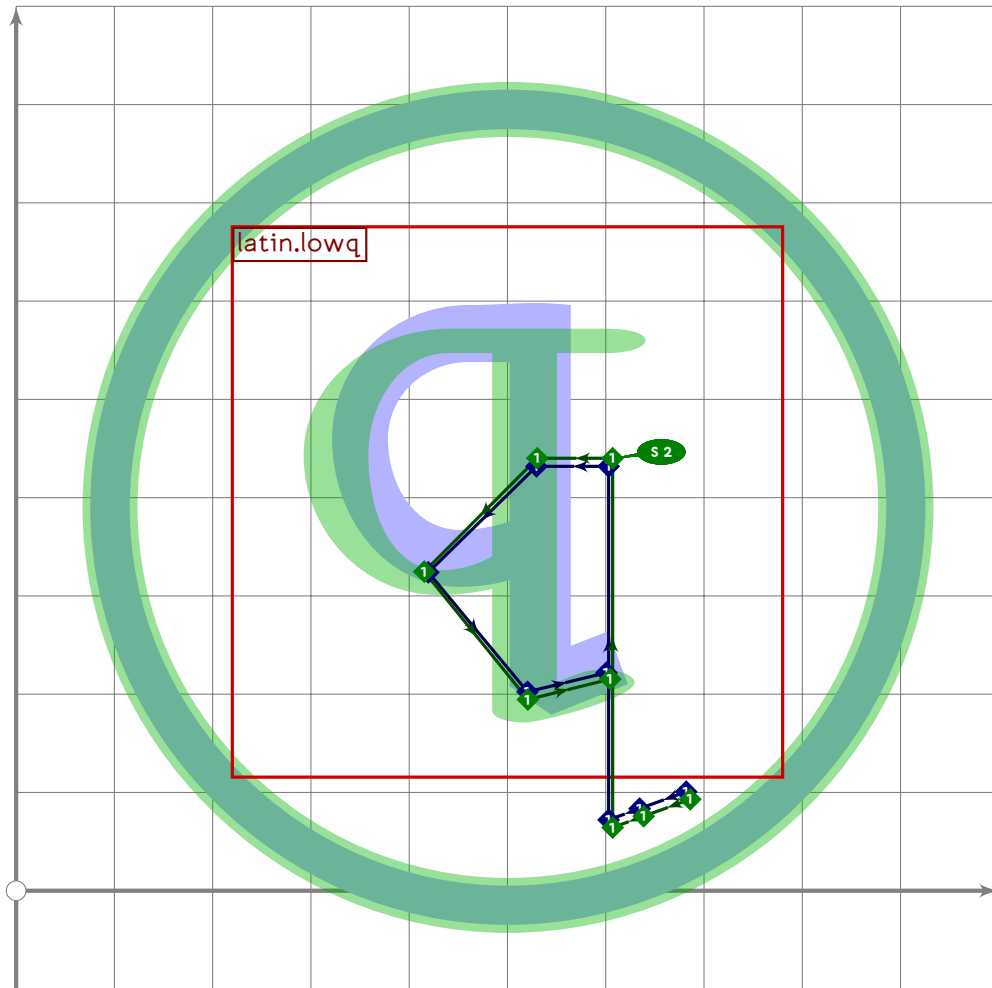
```
492 % o
493 begint Suglyph("uni24DE";222);
494   tsu_curve.circle.single;
495   tsu_xform(tsu_xf.cletter)(tsu_curve.latin.lowo);
496   tsu_render_in_circle(tsu_xf.cbound);
497 endsuglyph;
498
```



```

499 % p
500 begint Suglyph("uni24DF";223);
501   tsu_curve.circle.single;
502   tsu_xform(tsu_xf.cletter)(tsu_curve.latin.lowp);
503   tsu_render_in_circle(tsu_xf.cbound);
504 endsuglyph;
505

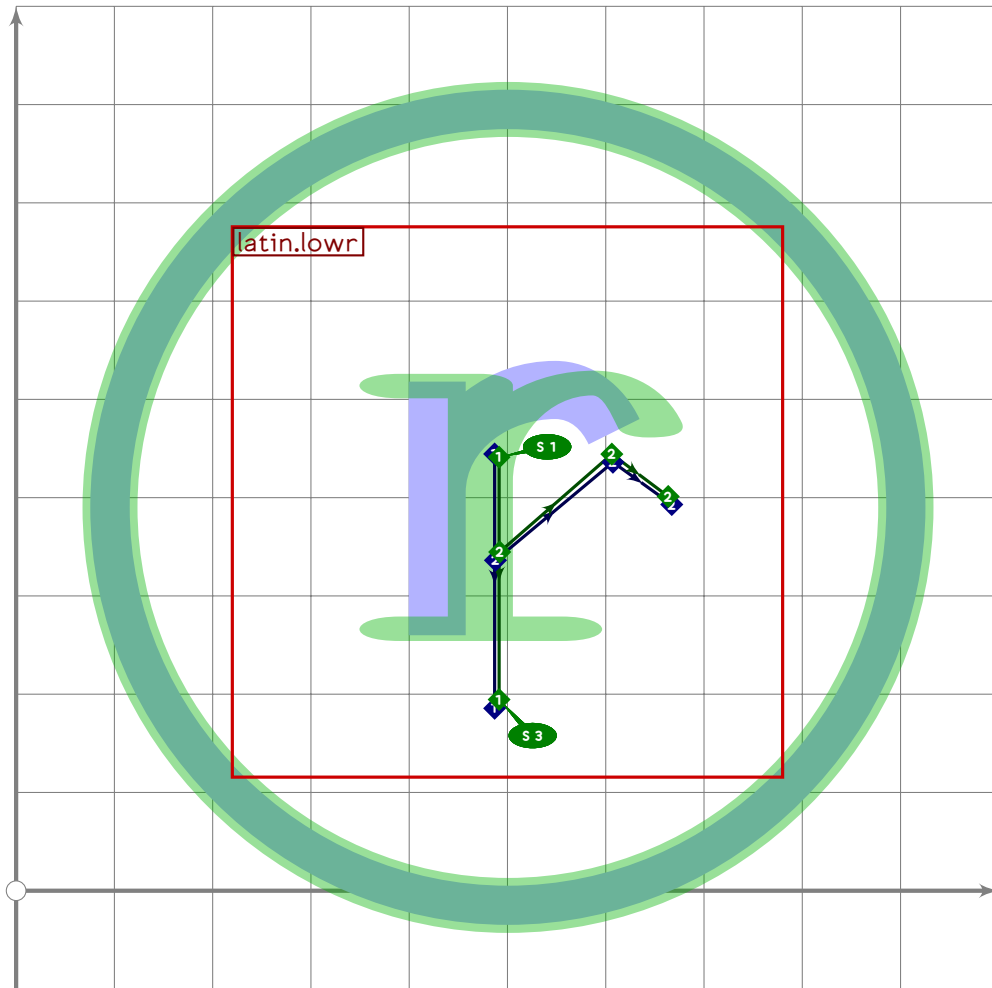
```



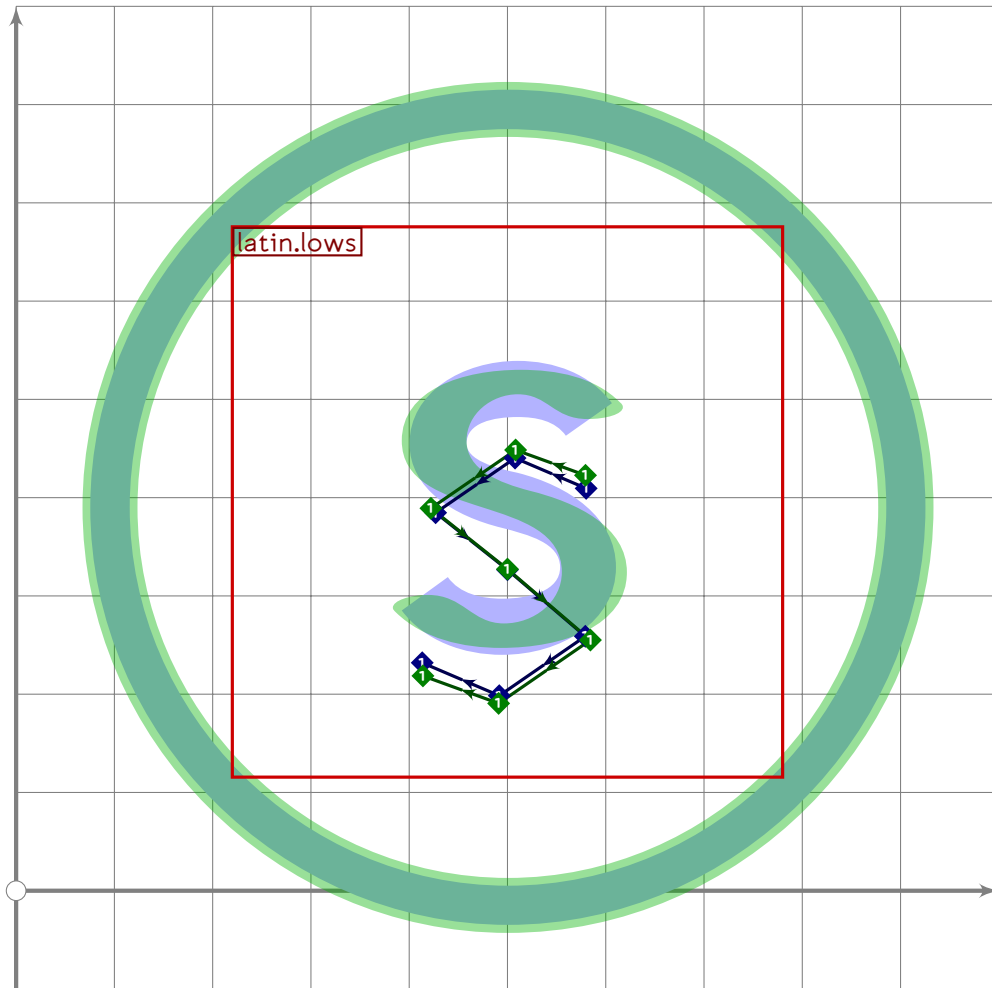
```

506 % q
507 begint Suglyph("uni24E0",224);
508   tsu_curve.circle.single;
509   tsu_xform(tsu_xf.cletter)(tsu_curve.latin.lowq);
510   tsu_render_in_circle(tsu_xf.cbound);
511 endsuglyph;
512

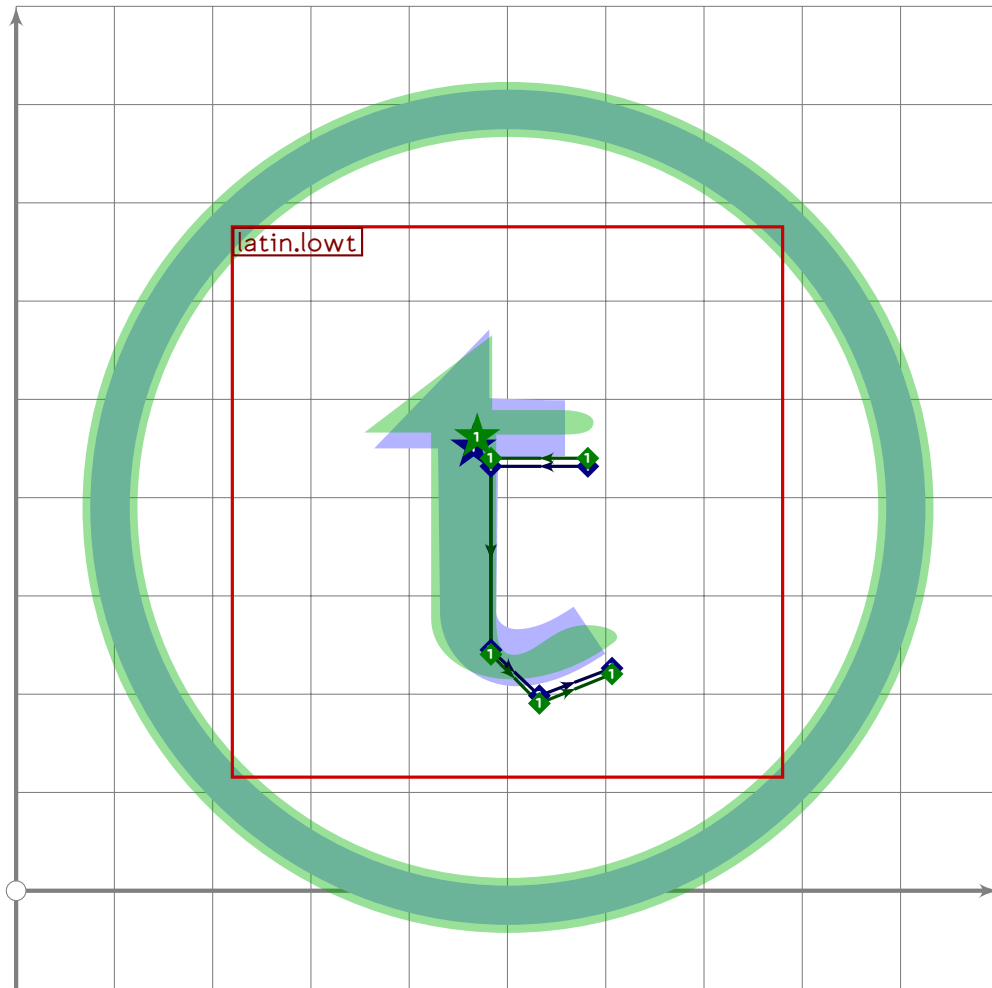
```



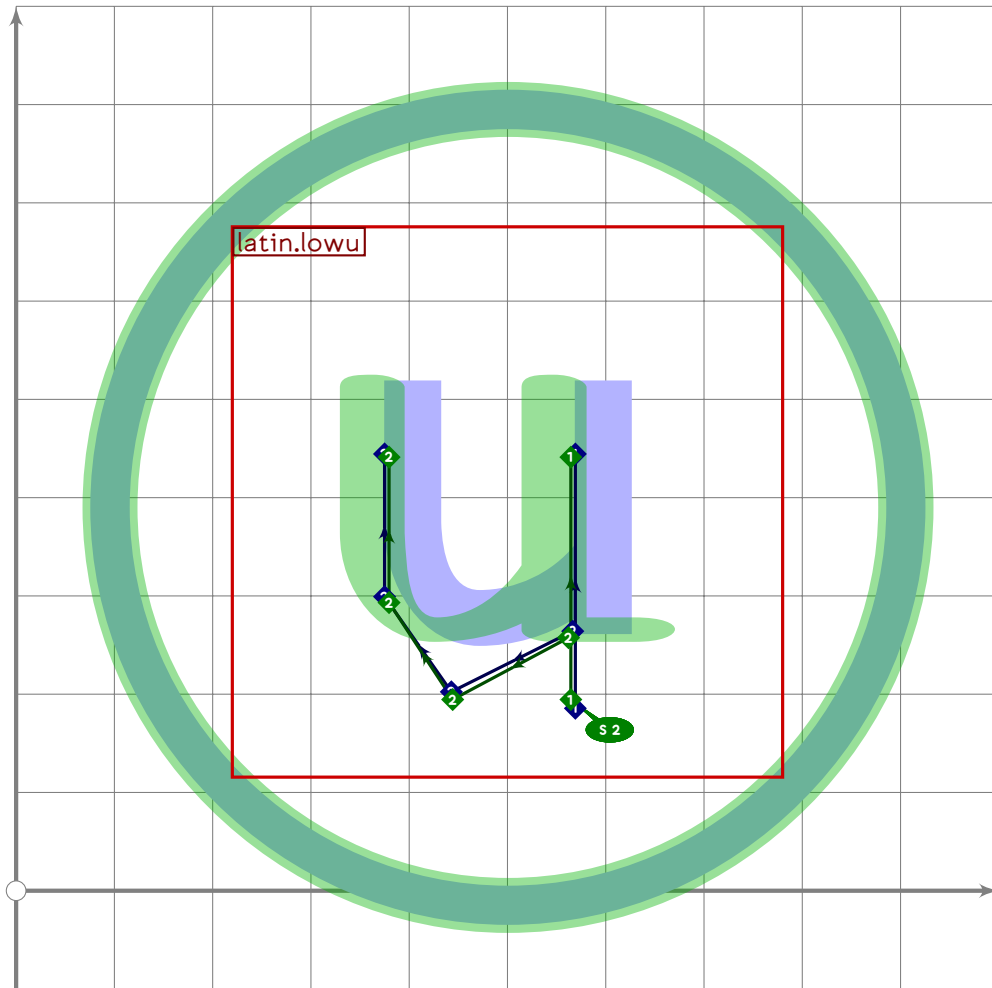
```
513 % r
514 begint Suglyph("uni24E1";225);
515   tsu_curve.circle.single;
516   tsu_xform(tsu_xf.cletter)(tsu_curve.latin.lowr);
517   tsu_render_in_circle(tsu_xf.cbound);
518 endsuglyph;
519
```

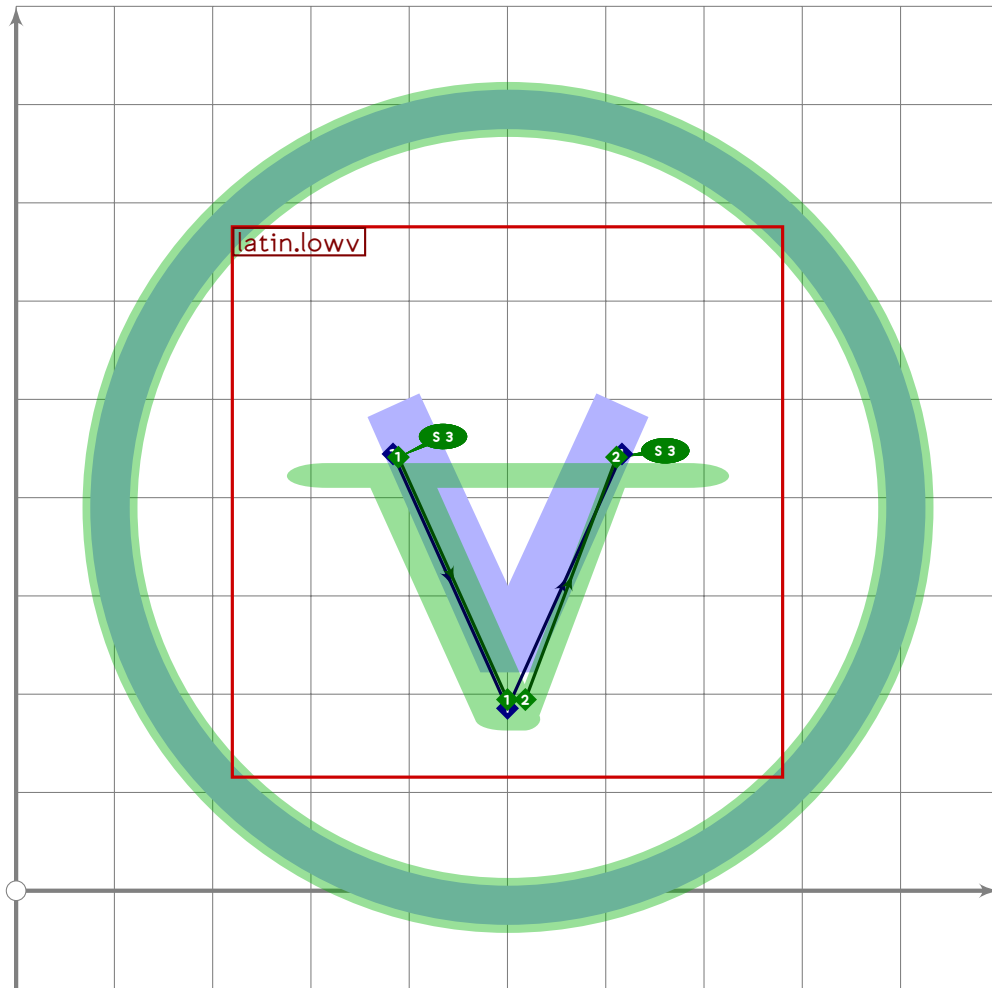
```
520 % s
521 begint Suglyph("uni24E2",226);
522 tsu_curve.circle.single;
523 tsu_xform(tsu_xf.cletter)(tsu_curve.latin.lows);
524 tsu_render_in_circle(tsu_xf.cbound);
525 endsuglyph;
526
```



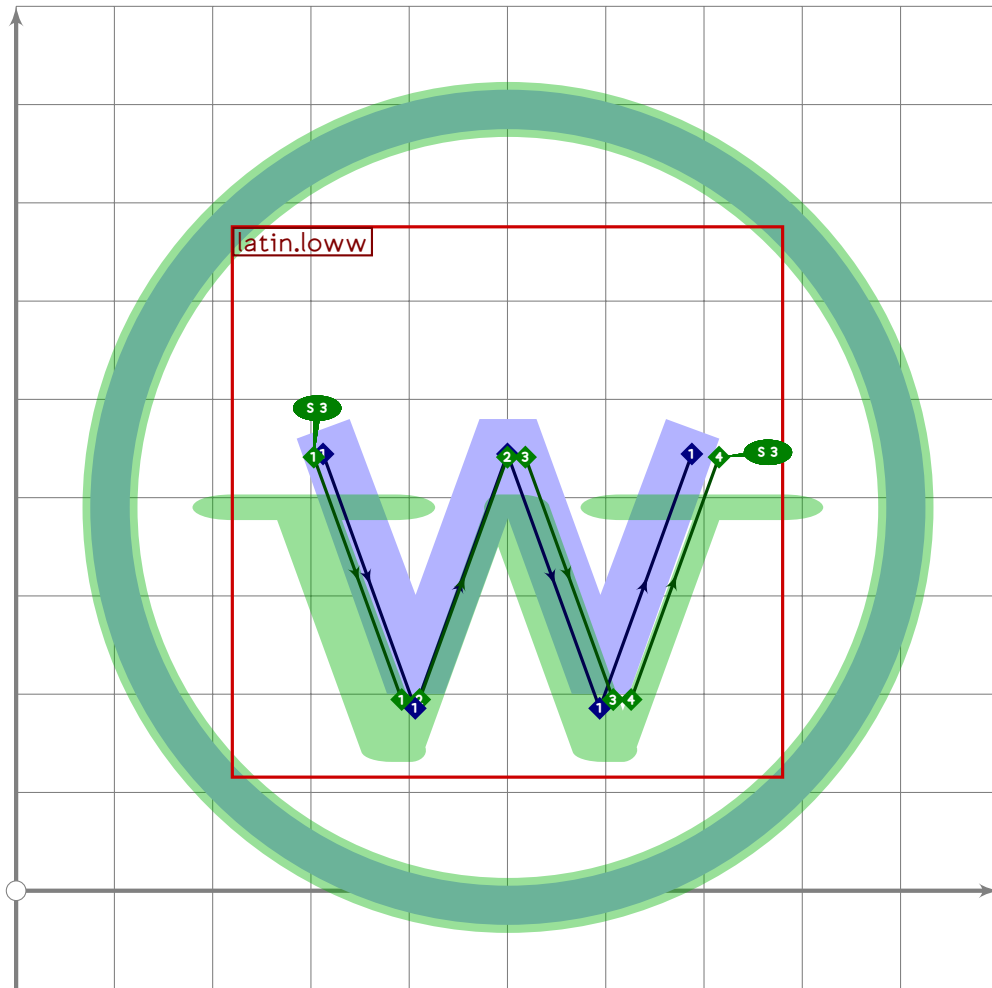
```
527 % t
528 begint Suglyph("uni24E3";227);
529 tsu_curve.circle.single;
530 tsu_xform(tsu_xf.cletter)(tsu_curve.latin.lowt);
531 tsu_render_in_circle(tsu_xf.cbound);
532 endsuglyph;
533
```



```
534 % u
535 begint Suglyph("uni24E4",228);
536 tsu_curve.circle.single;
537 tsu_xform(tsu_xf.cletter)(tsu_curve.latin.lowu);
538 tsu_render_in_circle(tsu_xf.cbound);
539 endsuglyph;
540
```



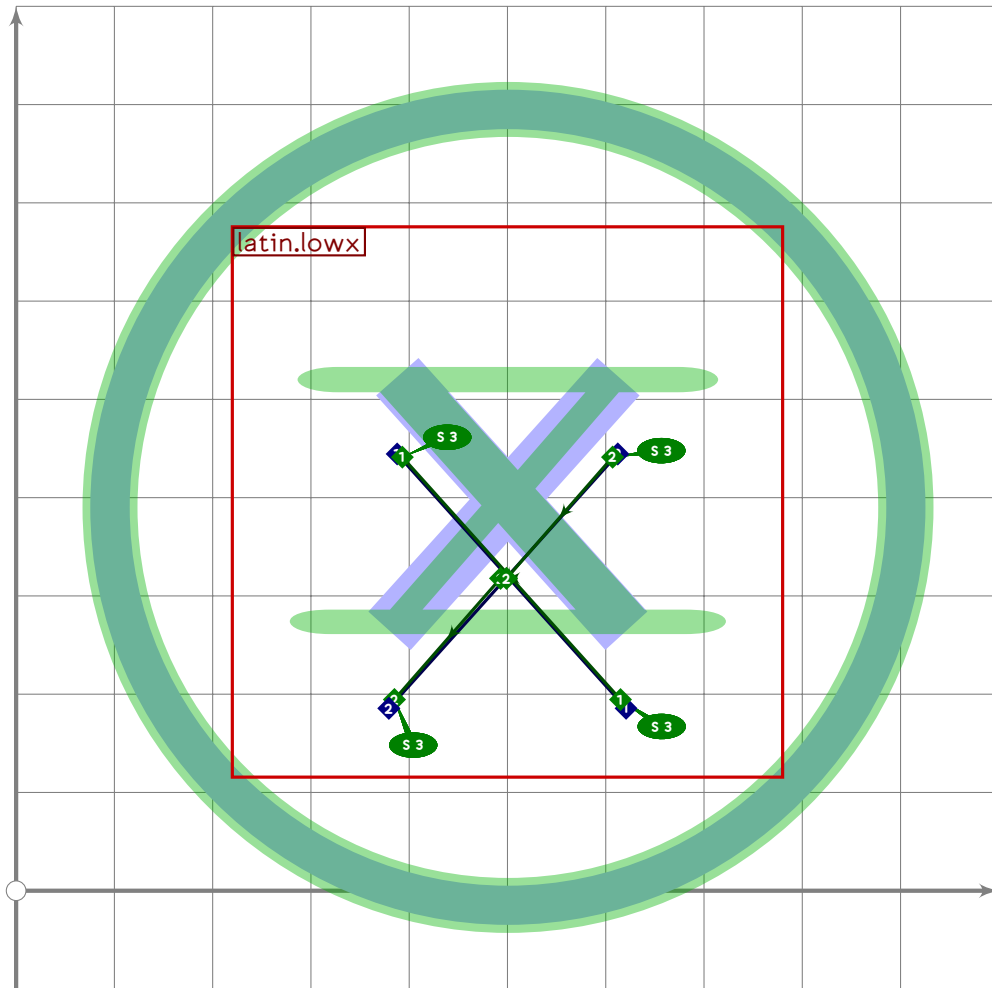
```
541 % v
542 begint Suglyph("uni24E5";229);
543 tsu_curve.circle.single;
544 tsu_xform(tsu_xf.cletter)(tsu_curve.latin.lowv);
545 tsu_render_in_circle(tsu_xf.cbound);
546 endsuglyph;
547
```



```

548 % w
549 begint Suglyph("uni24E6";230);
550 tsu_curve.circle.single;
551 tsu_xform(tsu_xf.cletter)(tsu_curve.latin.loww);
552 tsu_render_in_circle(tsu_xf.cbound);
553 endsuglyph;
554

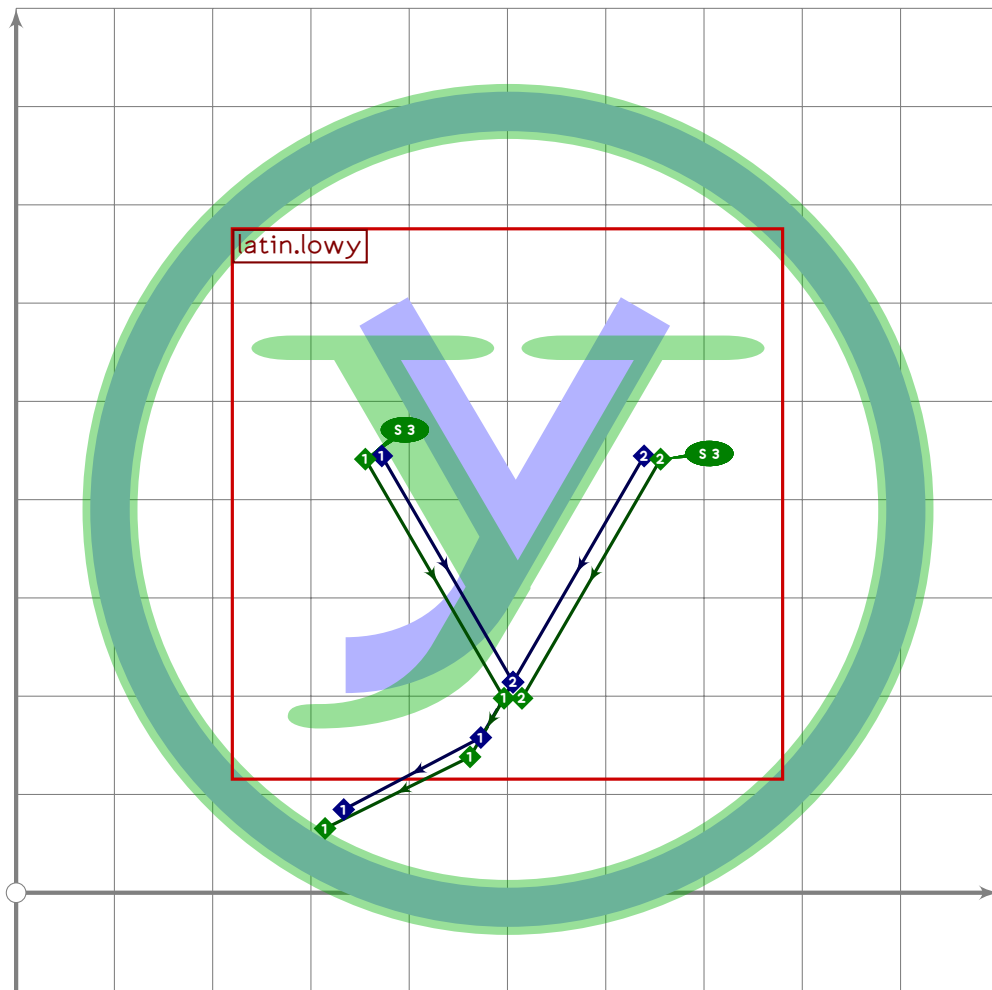
```



```

555 % x
556 begint Suglyph("uni24E7";231);
557   tsu_curve.circle.single;
558   tsu_xform(tsu_xf.cletter)(tsu_curve.latin.lowx);
559   tsu_render_in_circle(tsu_xf.cbound);
560 endsuglyph;
561

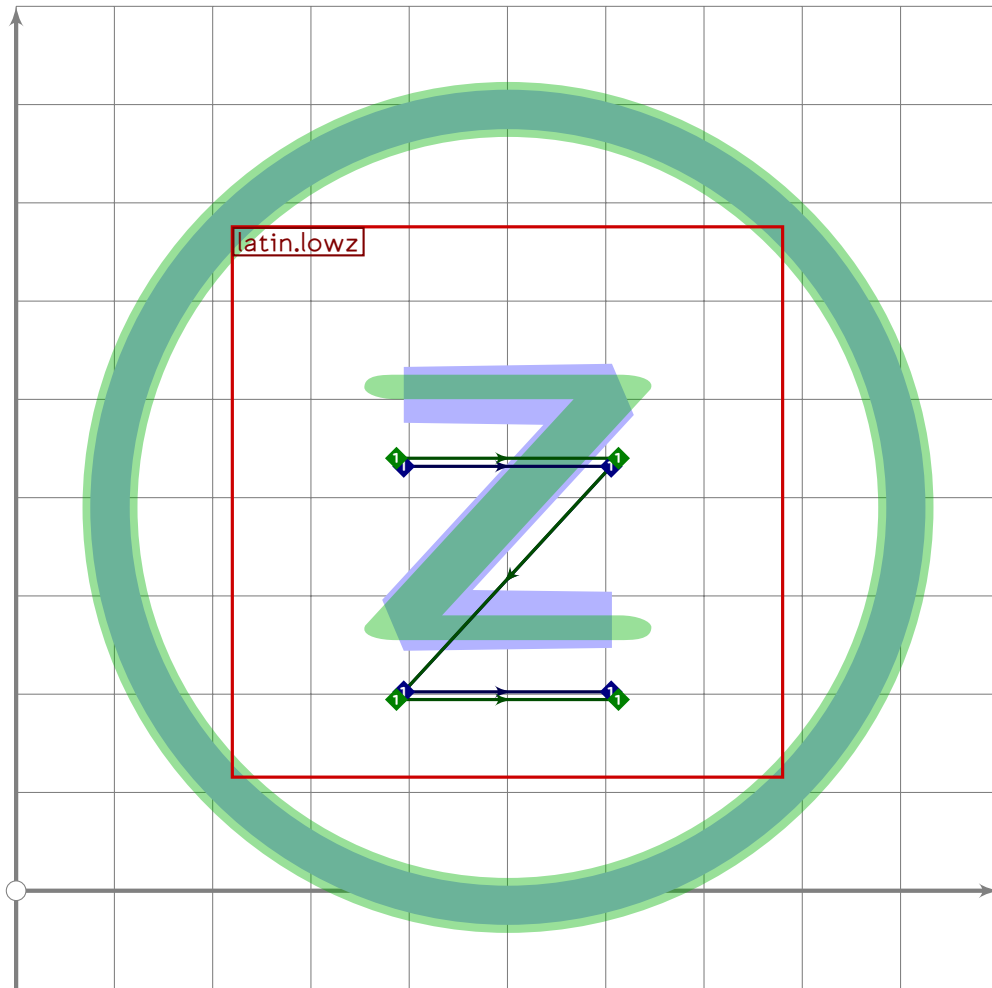
```



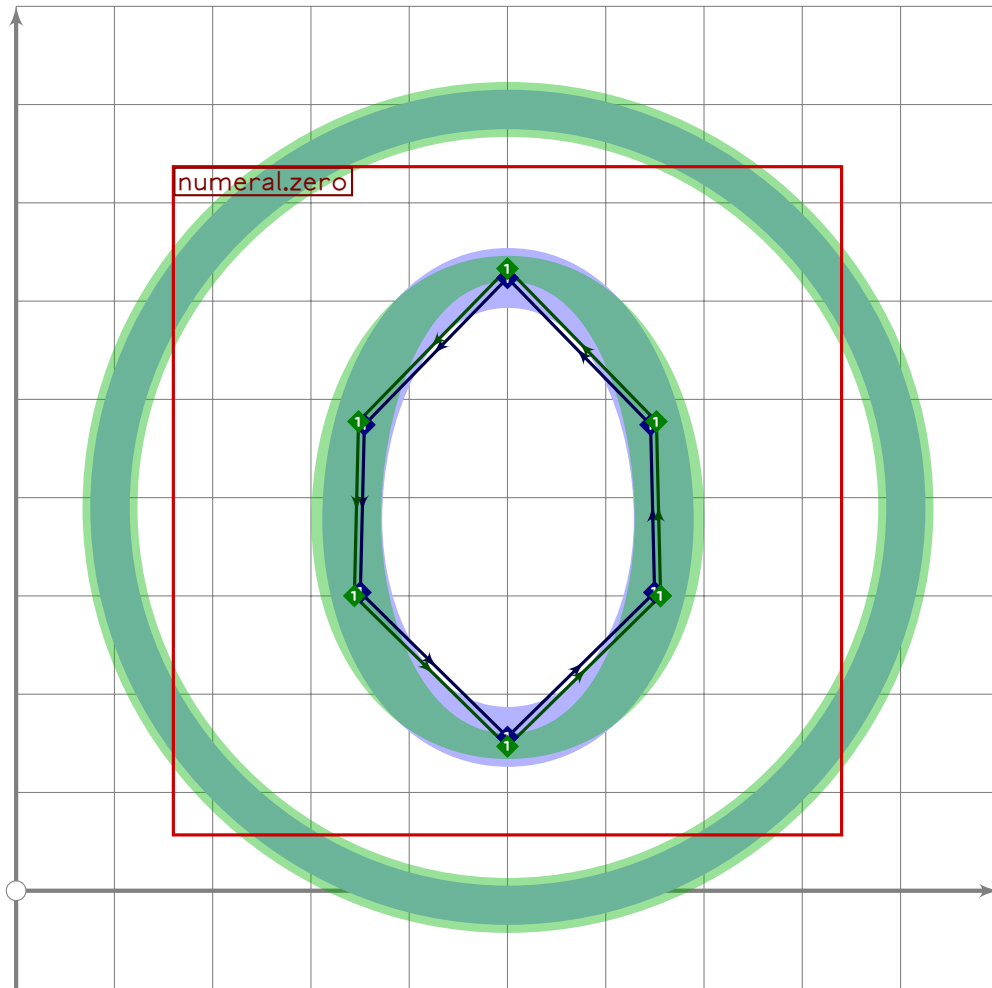
```

562 % y
563 begint Suglyph("uni24E8",232);
564   tsu_curve.circle.single;
565   tsu_xform(tsu_xf.cletter)(tsu_curve.latin.lowy);
566   tsu_render_in_circle(tsu_xf.cbound);
567 endsuglyph;
568

```



```
569 % z
570 begint Suglyph("uni24E9",233);
571   tsu_curve.circle.single;
572   tsu_xform(tsu_xf.cletter)(tsu_curve.latin.lowz);
573   tsu_render_in_circle(tsu_xf.cbound);
574 endsuglyph;
575
```

```

576 % 0
577 begint Suglyph("uni24EA",234);
578   tsu_curve.circle.single;
579   tsu_xform(tsu_xf.circled)(tsu_curve.numeral.zero);
580   tsu_render;
581 endsuglyph;
582
583 _____
584

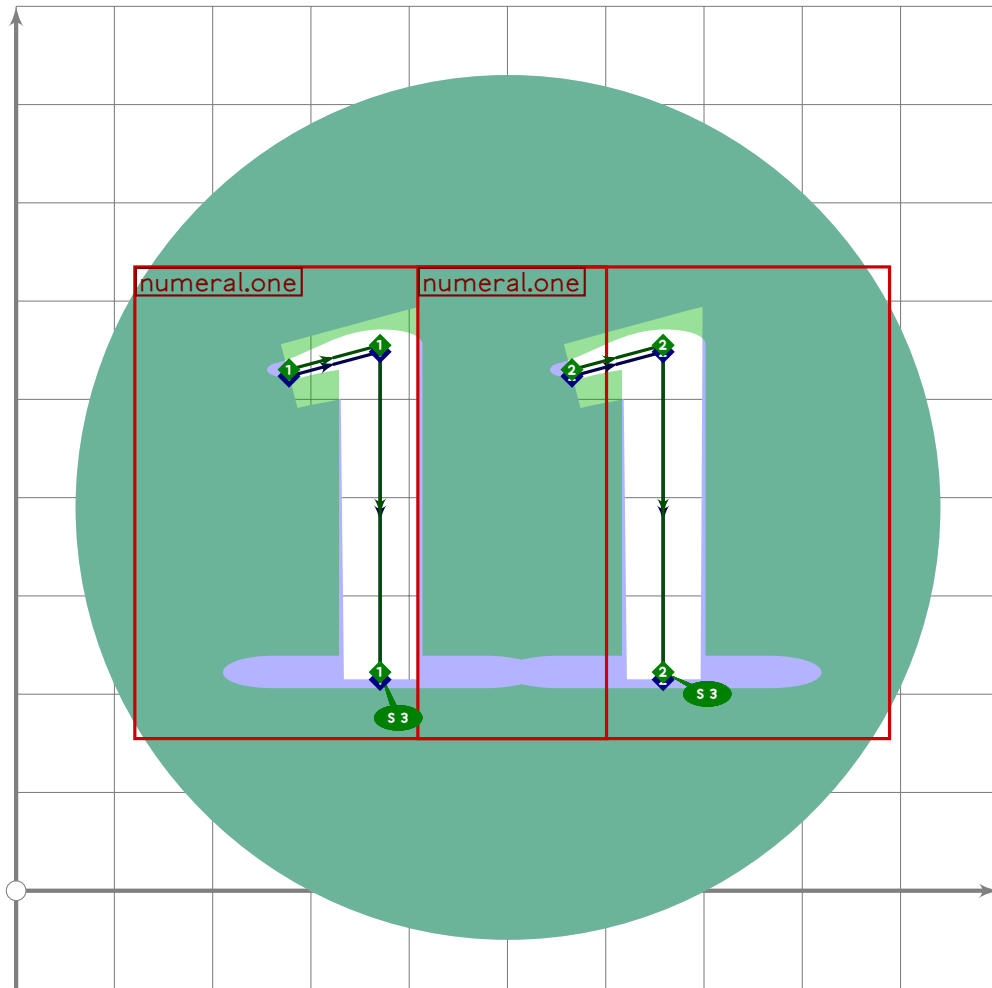
```

Inverted Circled Numerals

```

585 % INVERTED CIRCLED NUMERALS
586

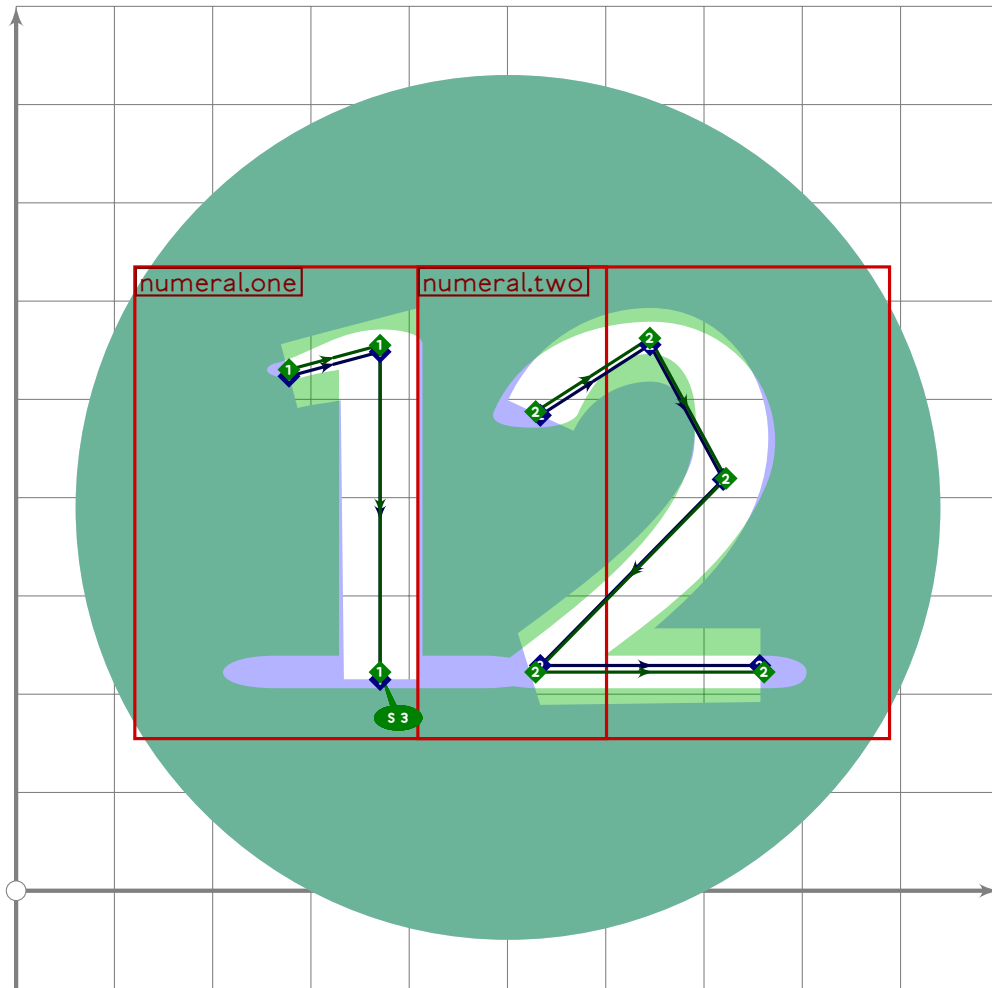
```



```

587 % 11
588 % BACKGROUND 25CF
589 beginsuglyph("uni24EB",235);
590 tsu_xform(tsu_xf.ctwo.left)(tsu_curve.numeral.one);
591 numeric x[],y[];
592 tsu_xform(tsu_xf.ctwo.right)(tsu_curve.numeral.one);
593 i:=1; forever: exitif unknown bp[i]; bo_size[i]:=107; i:=i+1; endfor;
594 tsu_render;
595 endsuglyph;
596

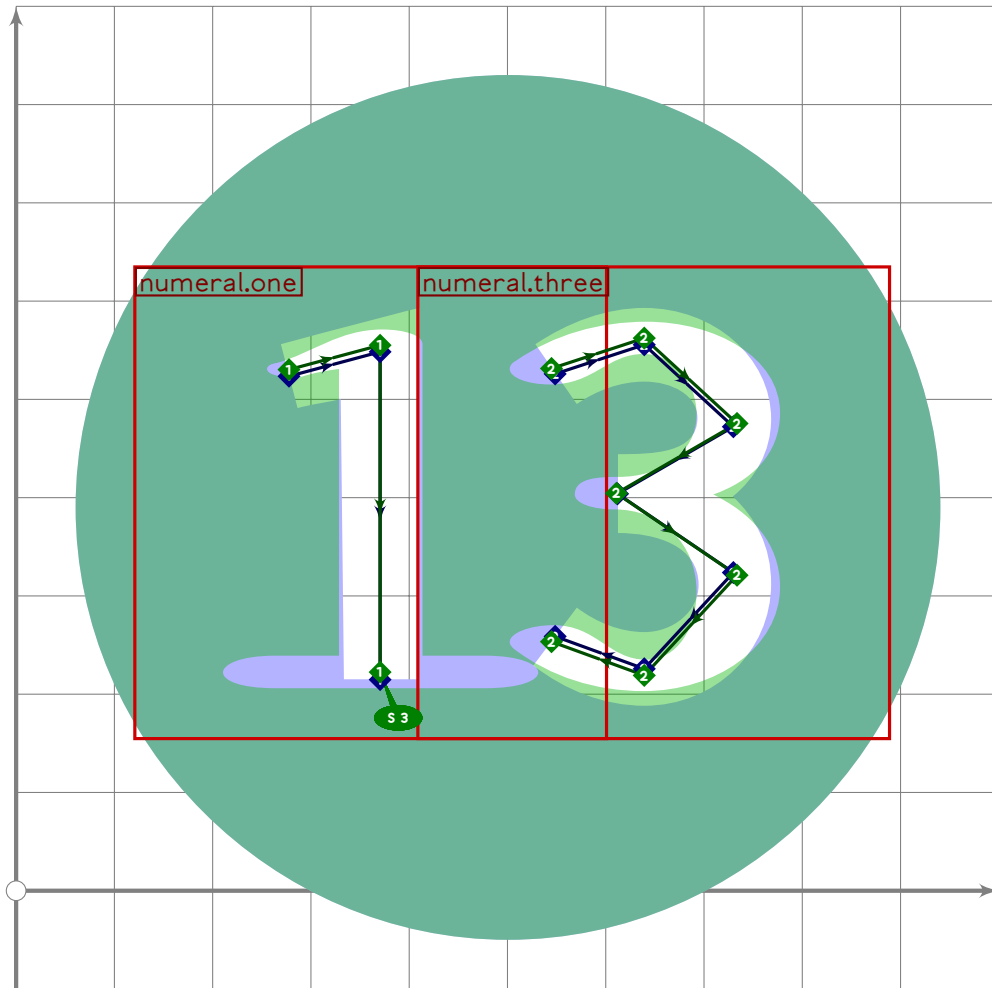
```



```

597 % 12
598 % BACKGROUND 25CF
599 beginsuglyph("uni24EC";236);
600 tsu_xform(tsu_xf.ctwo.left)(tsu_curve.numeral.one);
601 numeric x[],y[];
602 tsu_xform(tsu_xf.ctwo.right)(tsu_curve.numeral.two);
603 i:=1; forever: exitif unknown bp[i]; bo_size[i]:=107; i:=i+1; endfor;
604 tsu_render;
605 endsuglyph;
606

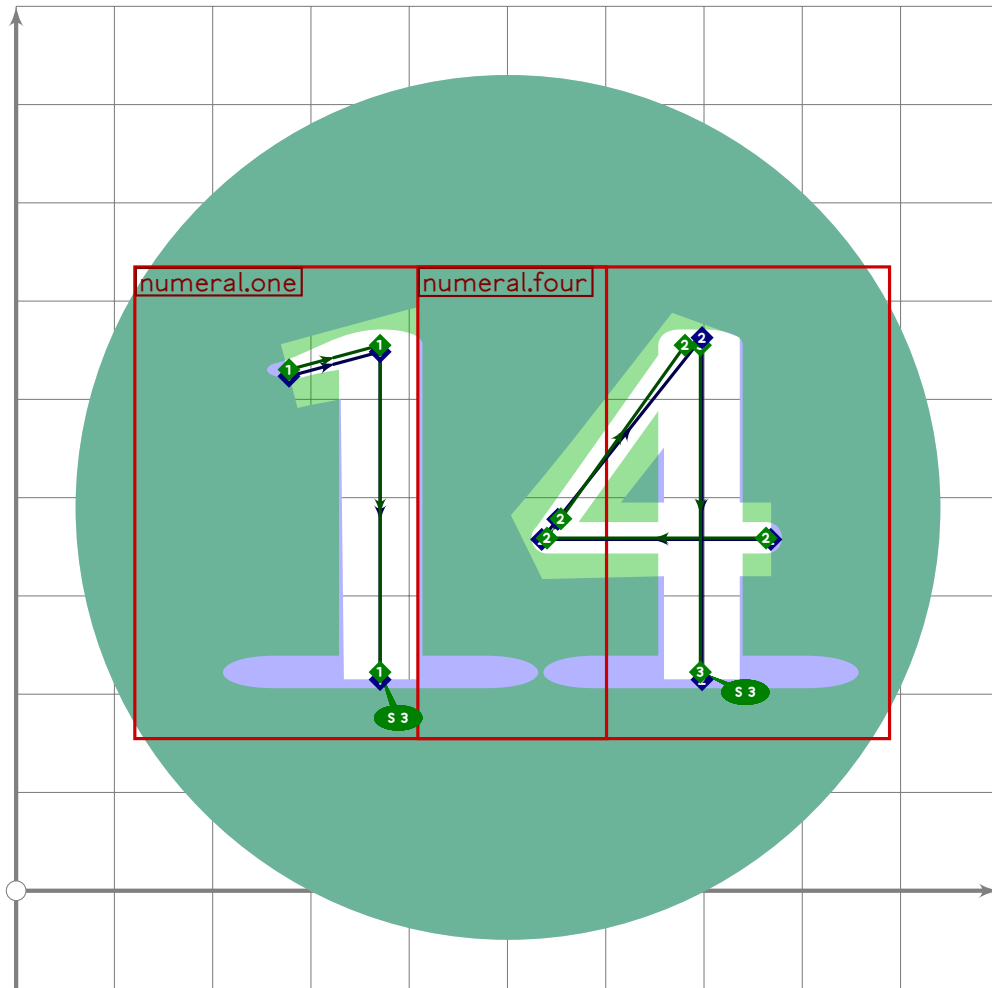
```



```

607 % 13
608 % BACKGROUND 25CF
609 beginsuglyph("uni24ED";237);
610 tsu_xform(tsu_xf.ctwo.left)(tsu_curve.numeral.one);
611 numeric x[],y[];
612 tsu_xform(tsu_xf.ctwo.right)(tsu_curve.numeral.three);
613 i:=1; forever: exitif unknown bp[i]; bo_size[i]:=107; i:=i+1; endfor;
614 tsu_render;
615 endsuglyph;
616

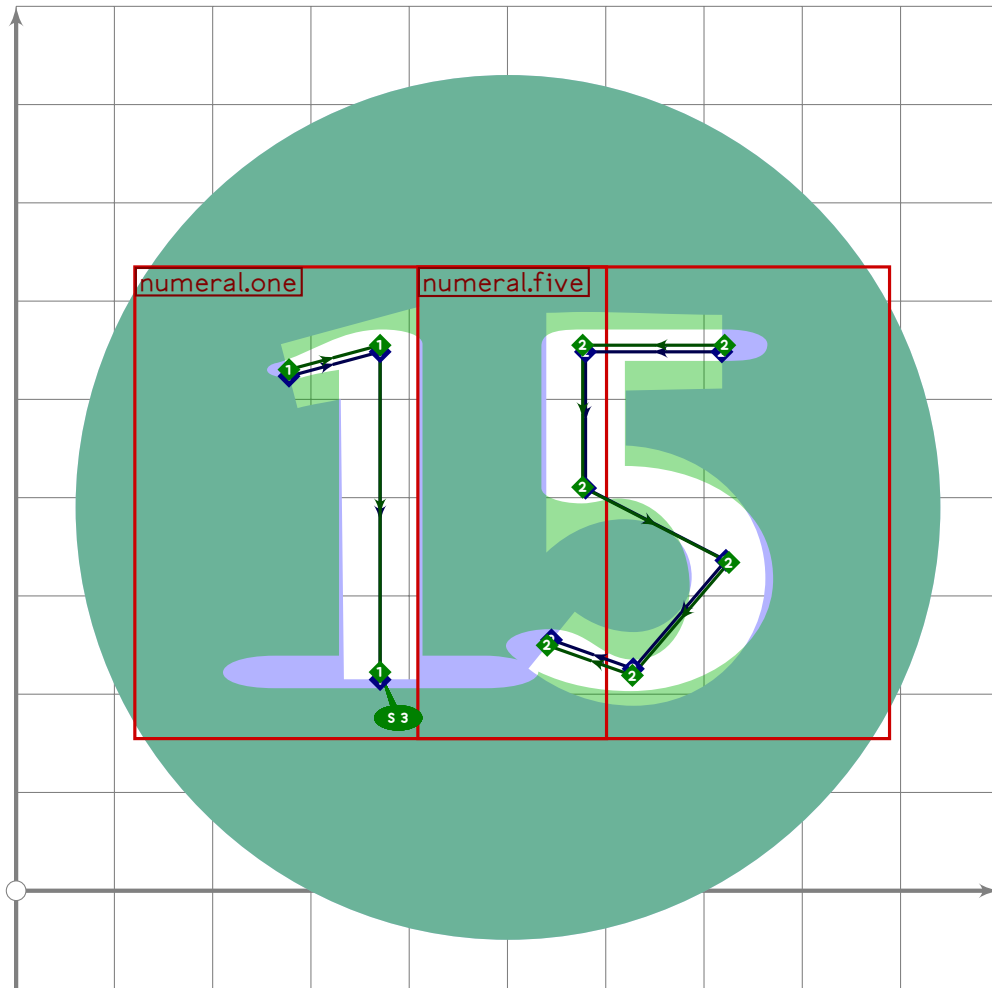
```



```

617 % 14
618 % BACKGROUND 25CF
619 beginsuglyph("uni24EE",238);
620 tsu_xform(tsu_xf.ctwo.left)(tsu_curve.numeral.one);
621 numeric x[],y[];
622 tsu_xform(tsu_xf.ctwo.right)(tsu_curve.numeral.four);
623 i:=1; forever: exitif unknown bp[i]; bo_size[i]:=107; i:=i+1; endfor;
624 tsu_render;
625 endtsuglyph;
626

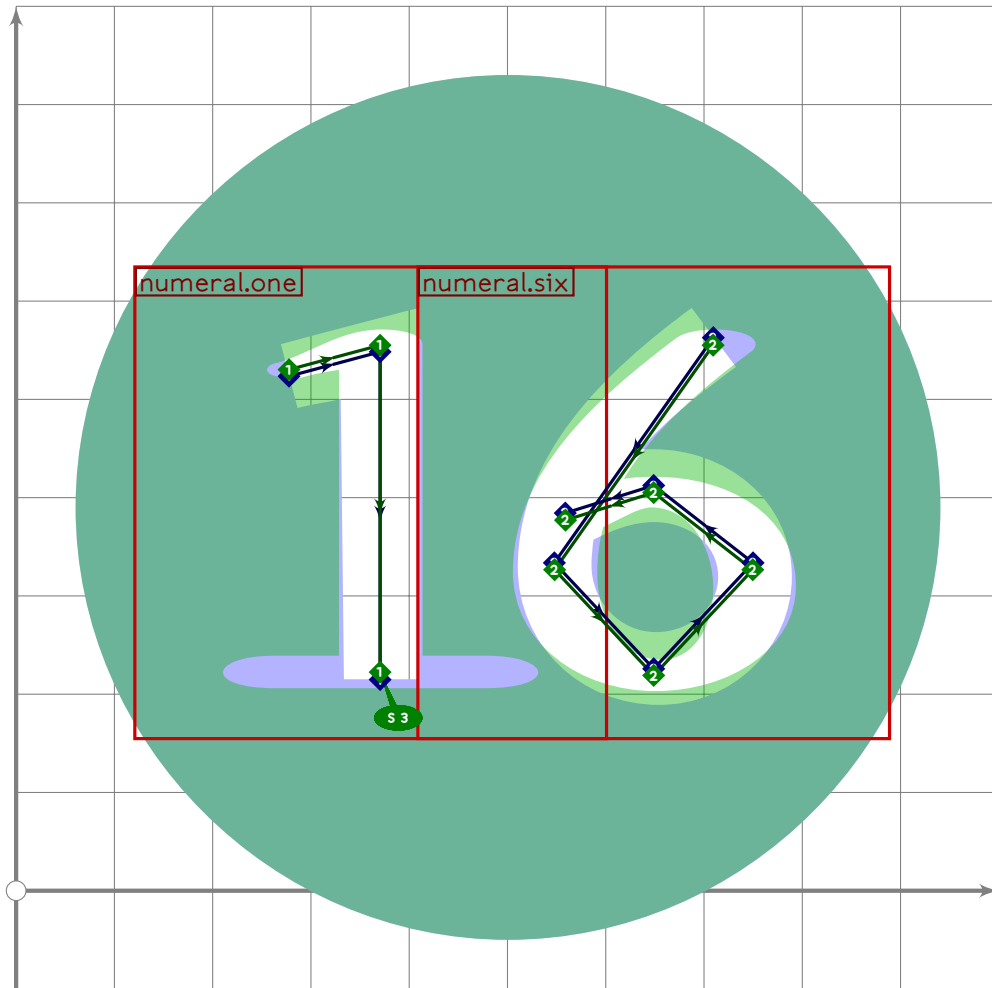
```



```

627 % 15
628 % BACKGROUND 25CF
629 beginsuglyph("uni24EF";239);
630 tsu_xform(tsu_xf.ctwo.left)(tsu_curve.numeral.one);
631 numeric x[],y[];
632 tsu_xform(tsu_xf.ctwo.right)(tsu_curve.numeral.five);
633 i:=1; forever: exitif unknown bp[i]; bo_size[i]:=107; i:=i+1; endfor;
634 tsu_render;
635 endsuglyph;
636

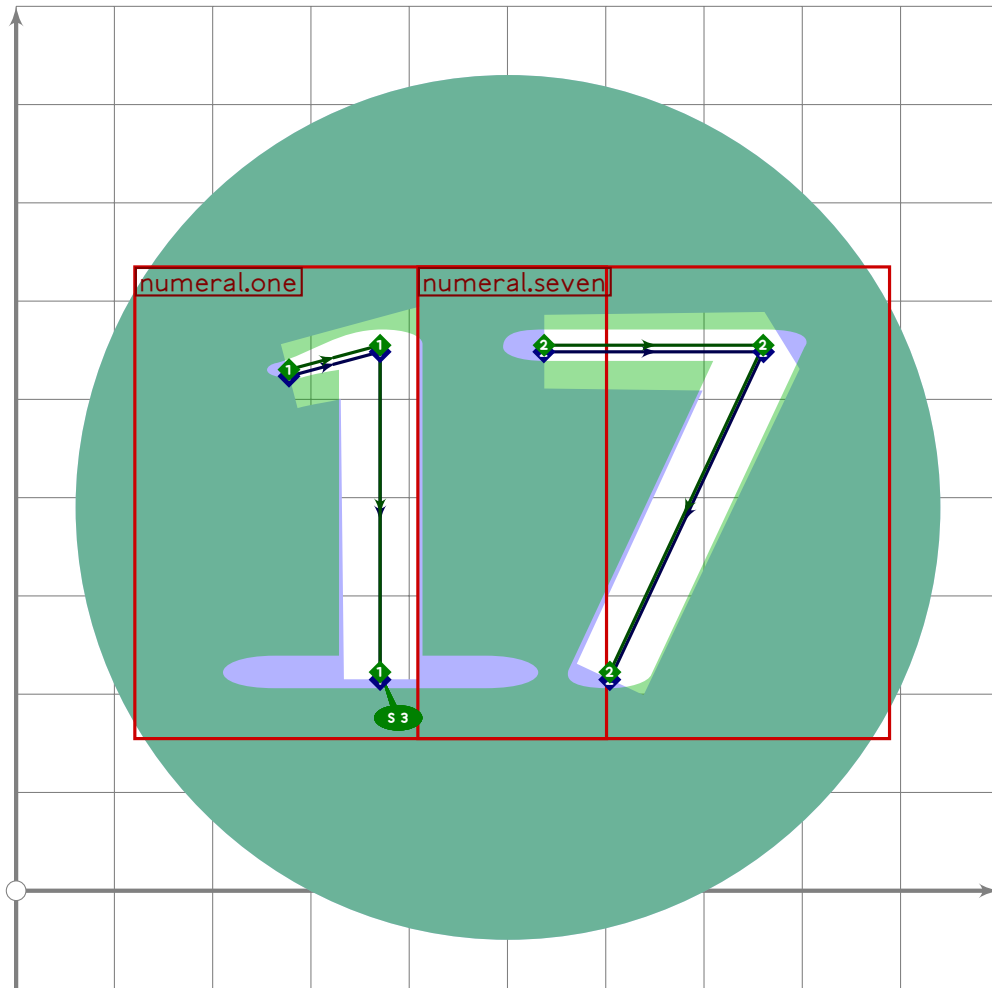
```



```

637 % 16
638 % BACKGROUND 25CF
639 beginsuglyph("uni24F0";240);
640 tsu_xform(tsu_xf.ctwo.left)(tsu_curve.numeral.one);
641 numeric x[],y[];
642 tsu_xform(tsu_xf.ctwo.right)(tsu_curve.numeral.six);
643 i:=1; forever: exitif unknown bp[i]; bo_size[i]:=107; i:=i+1; endfor;
644 tsu_render;
645 endsuglyph;
646

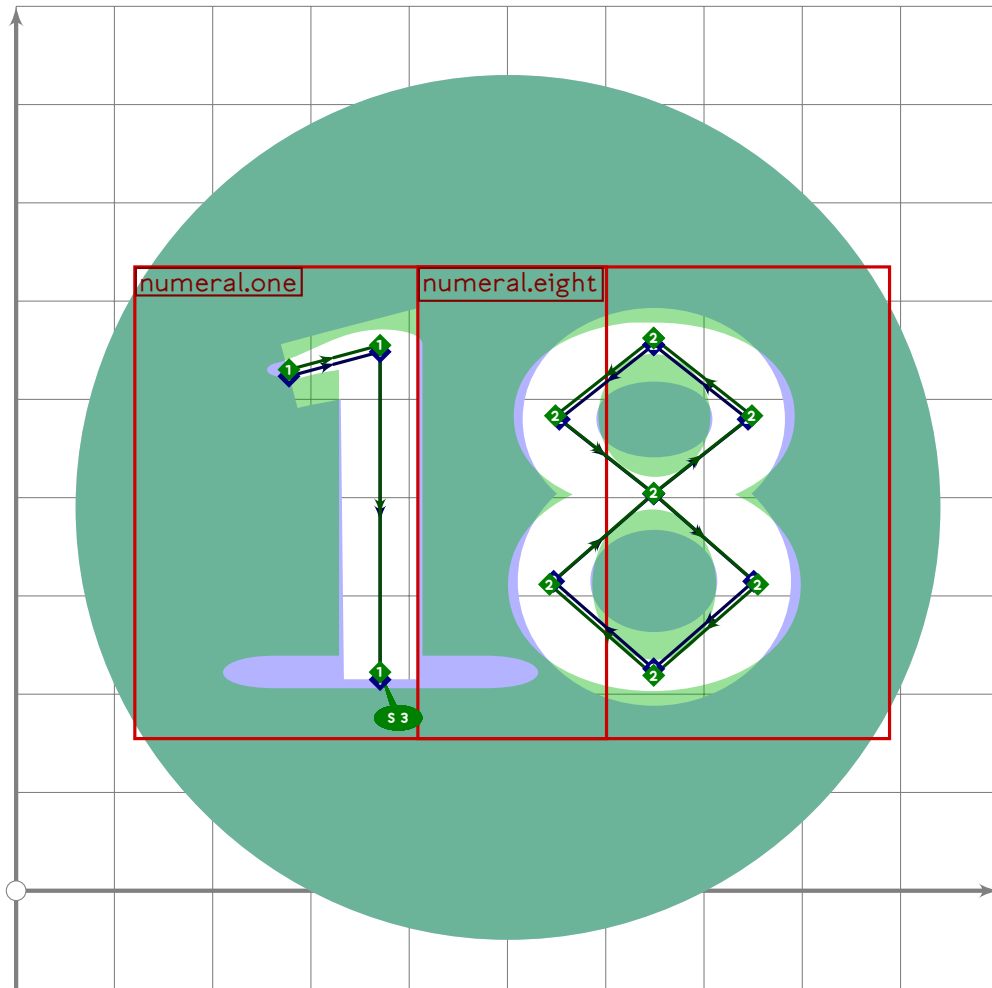
```



```

647 % 17
648 % BACKGROUND 25CF
649 beginsuglyph("uni24F1";241);
650 tsu_xform(tsu_xf.ctwo.left)(tsu_curve.numeral.one);
651 numeric x[],y[];
652 tsu_xform(tsu_xf.ctwo.right)(tsu_curve.numeral.seven);
653 i:=1; forever: exitif unknown bp[i]; bo_size[i]:=107; i:=i+1; endfor;
654 tsu_render;
655 endsuglyph;
656

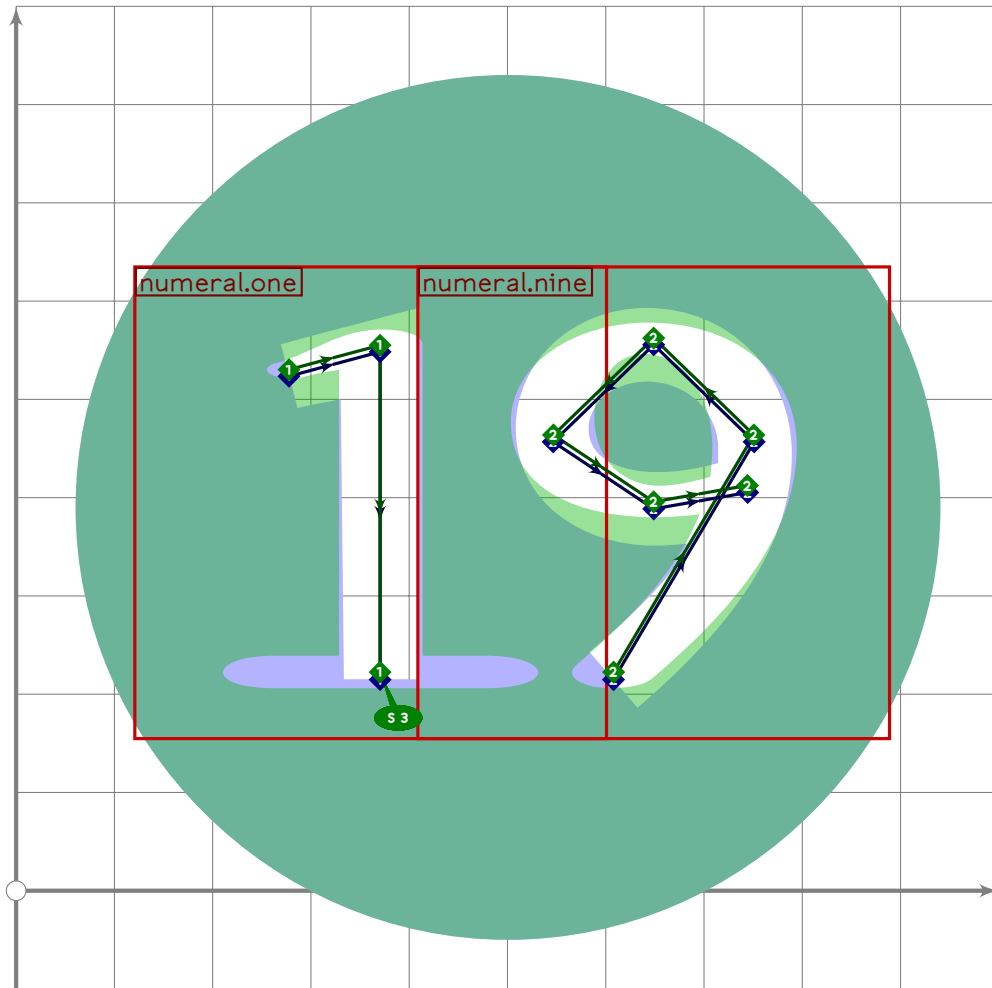
```

```

657 % 18
658 % BACKGROUND 25CF
659 begint Suglyph("uni24F2",242);
660 tsu_xform(tsu_xf.ctwo.left)(tsu_curve.numeral.one);
661 numeric x[],y[];
662 tsu_xform(tsu_xf.ctwo.right)(tsu_curve.numeral.eight);
663 i:=1; forever: exitif unknown bp[i]; bo_size[i]:=107; i:=i+1; endfor;
664 tsu_render;
665 endtsuglyph;
666

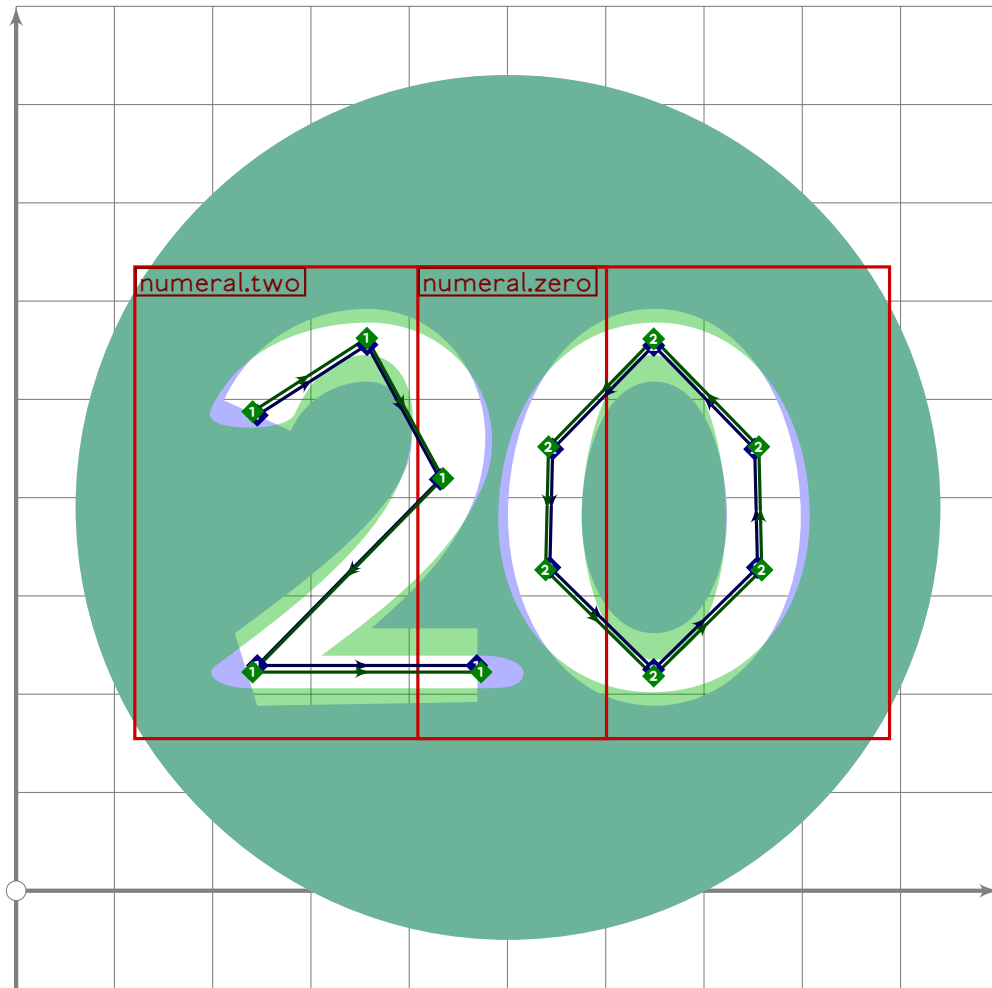
```



```

667 % 19
668 % BACKGROUND 25CF
669 beginsuglyph("uni24F3";243);
670 tsu_xform(tsu_xf.ctwo.left)(tsu_curve.numeral.one);
671 numeric x[],y[];
672 tsu_xform(tsu_xf.ctwo.right)(tsu_curve.numeral.nine);
673 i:=1; forever: exitif unknown bp[i]; bo_size[i]:=107; i:=i+1; endfor;
674 tsu_render;
675 endtsuglyph;
676

```



```

677 % 20
678 % BACKGROUND 25CF
679 begint Suglyph("uni24F4";244);
680 tsu_xform(tsu_xf.ctwo.left)(tsu_curve.numeral.two);
681 numeric x[],y[];
682 tsu_xform(tsu_xf.ctwo.right)(tsu_curve.numeral.zero);
683 i:=1; forever: exitif unknown bp[i]; bo_size[i]:=107; i:=i+1; endfor;
684 tsu_render;
685 endtsuglyph;
686
687
688

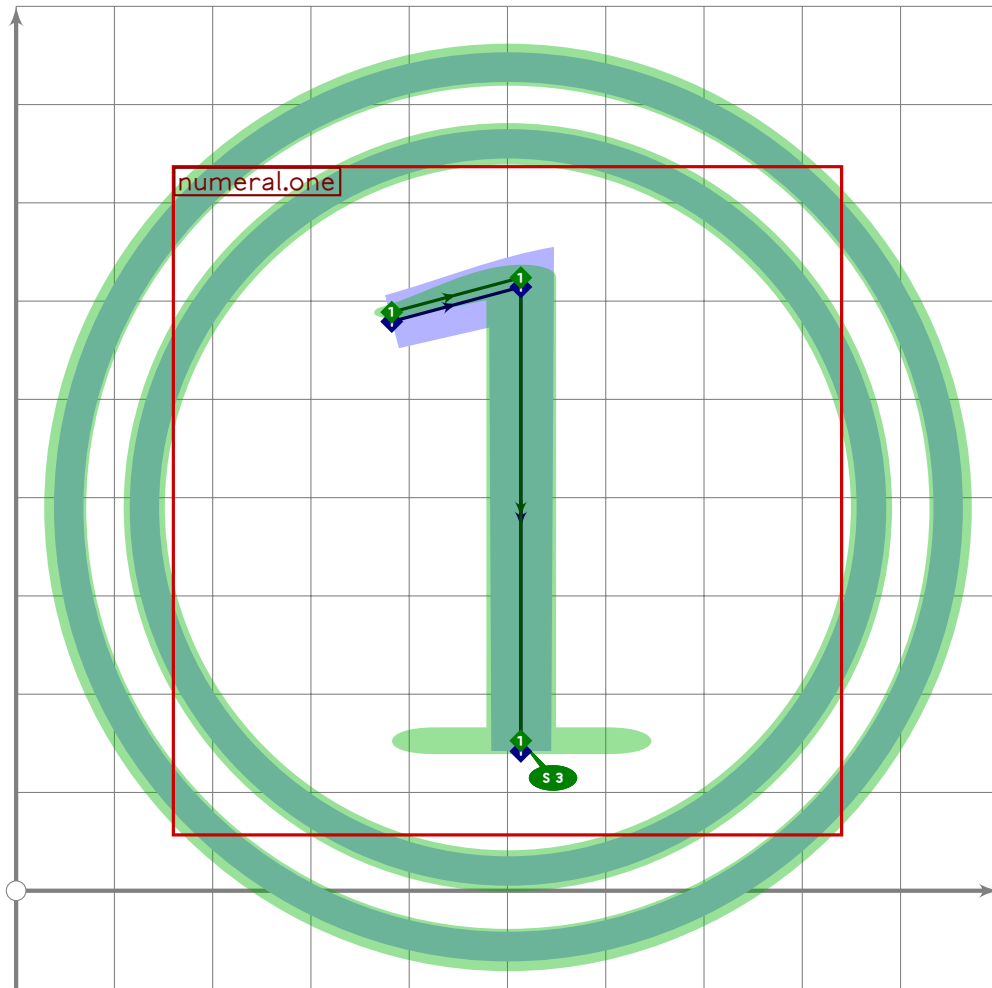
```

Doubly Circled Numerals

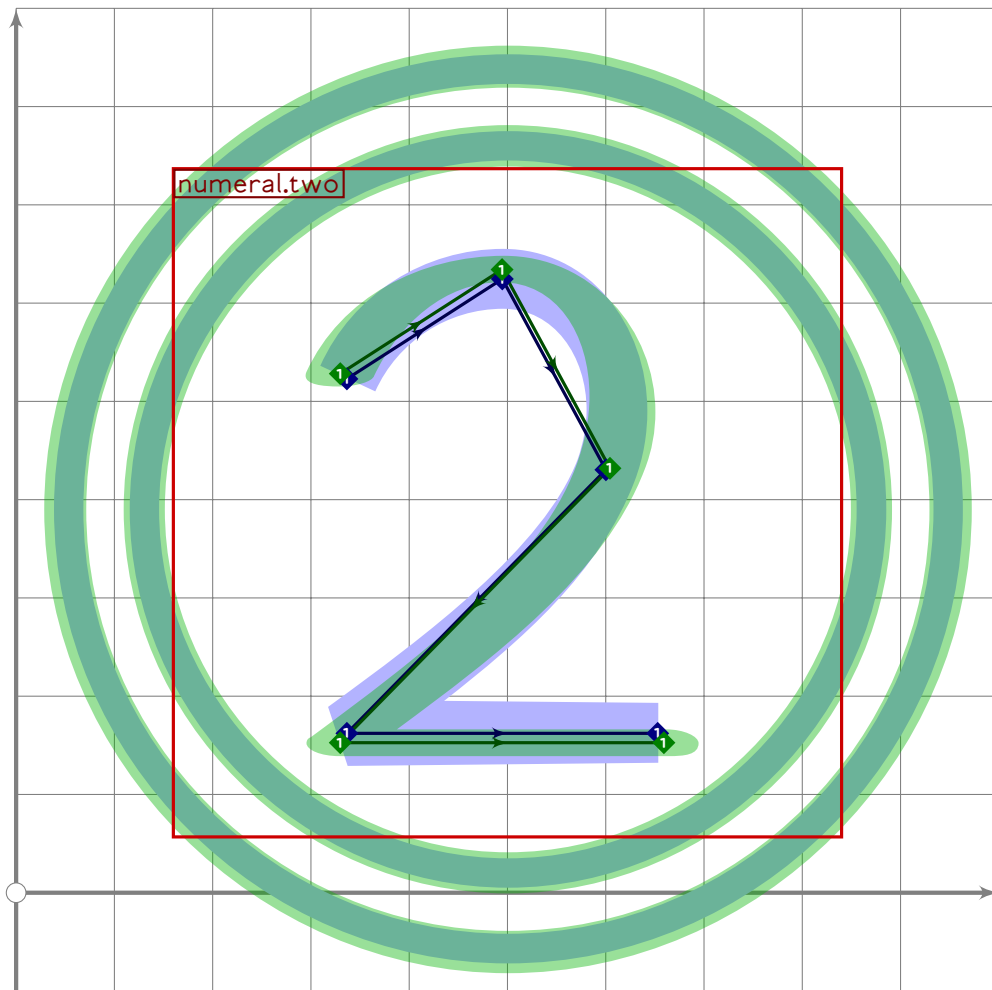
```

689 % DOUBLY CIRCLED NUMERALS
690

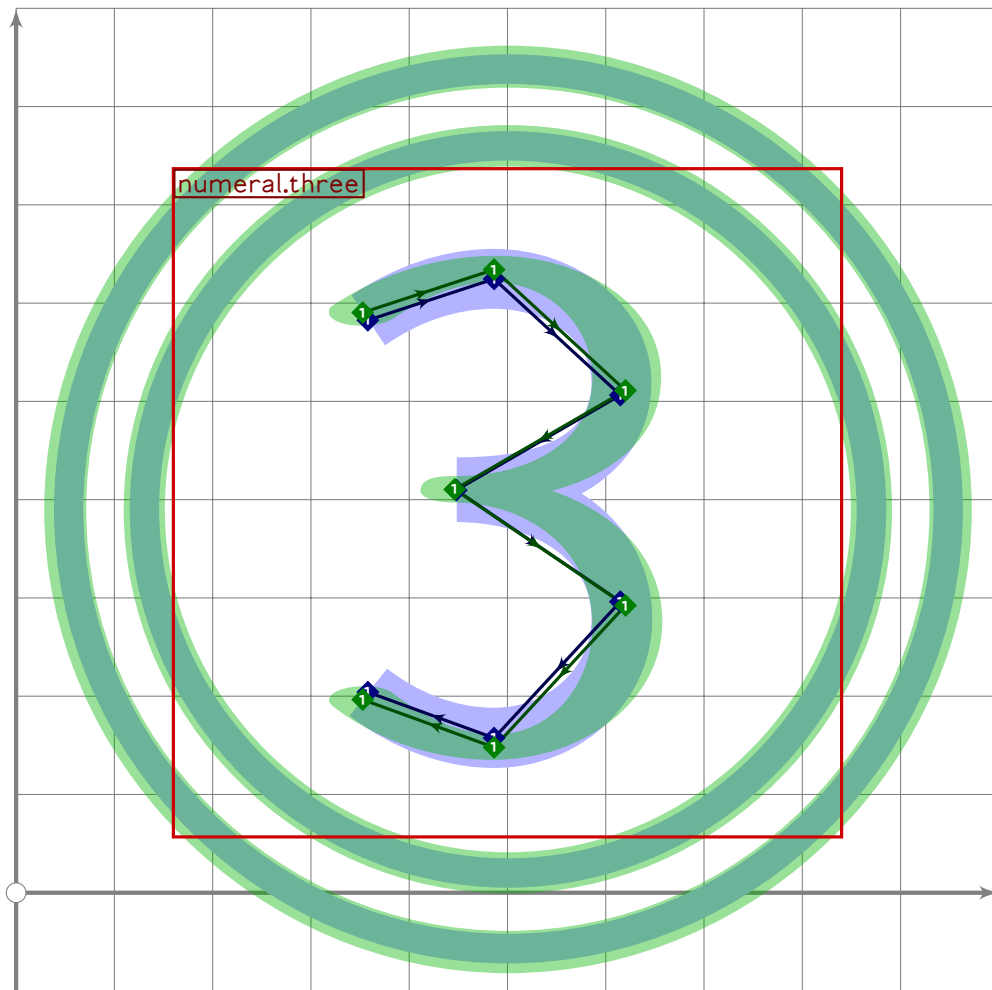
```



```
691 % 1
692 beginsuglyph("uni24F5";245);
693 tsu_curve.circle.double;
694 tsu_xform(tsu_xf.circled)(tsu_curve.numeral.one);
695 tsu_render;
696 endsuglyph;
697
```



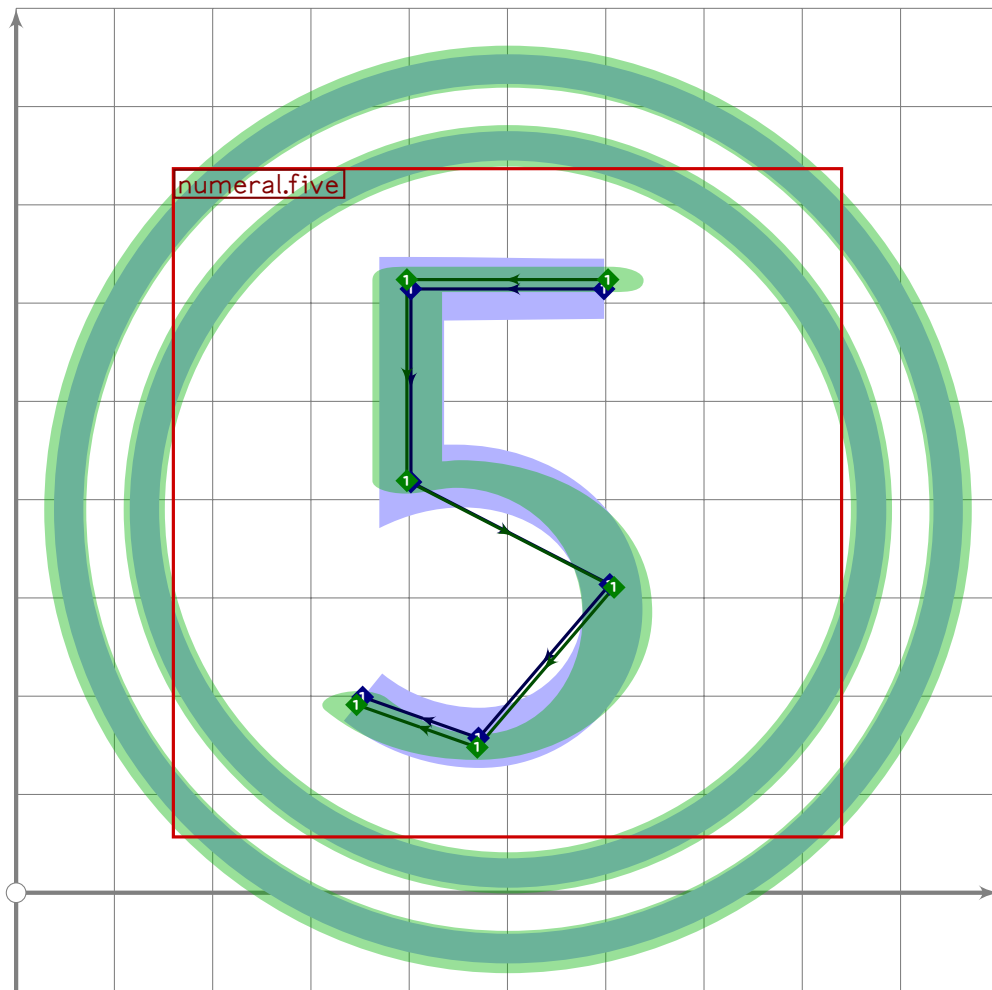
```
698 % 2
699 begint Suglyph("uni24F6";246);
700 tsu_curve.circle.double;
701 tsu_xform(tsu_xf.circled)(tsu_curve.numeral.two);
702 tsu_render;
703 endsuglyph;
704
```



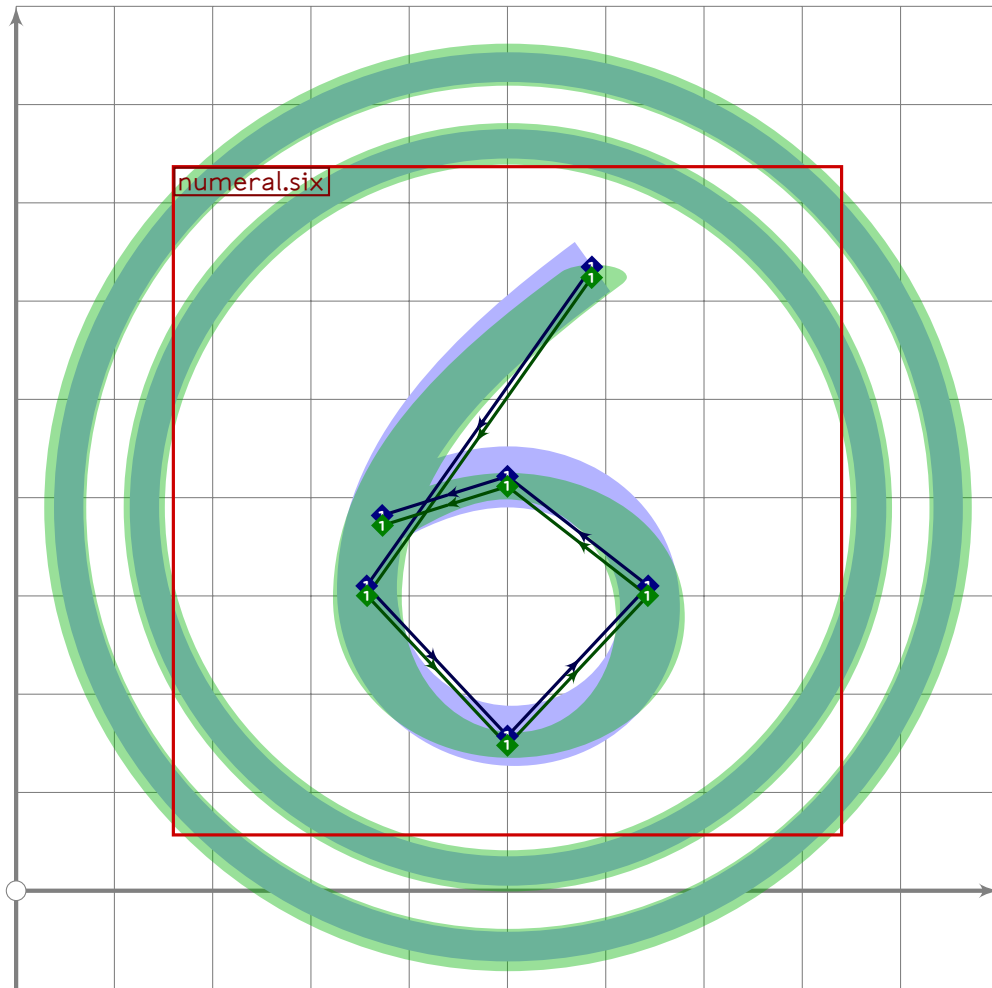
```
705 % 3
706 begint Suglyph("uni24F7";247);
707   tsu_curve.circle.double;
708   tsu_xform(tsu_xf.circled)(tsu_curve.numeral.three);
709   tsu_render;
710 endsuglyph;
711
```



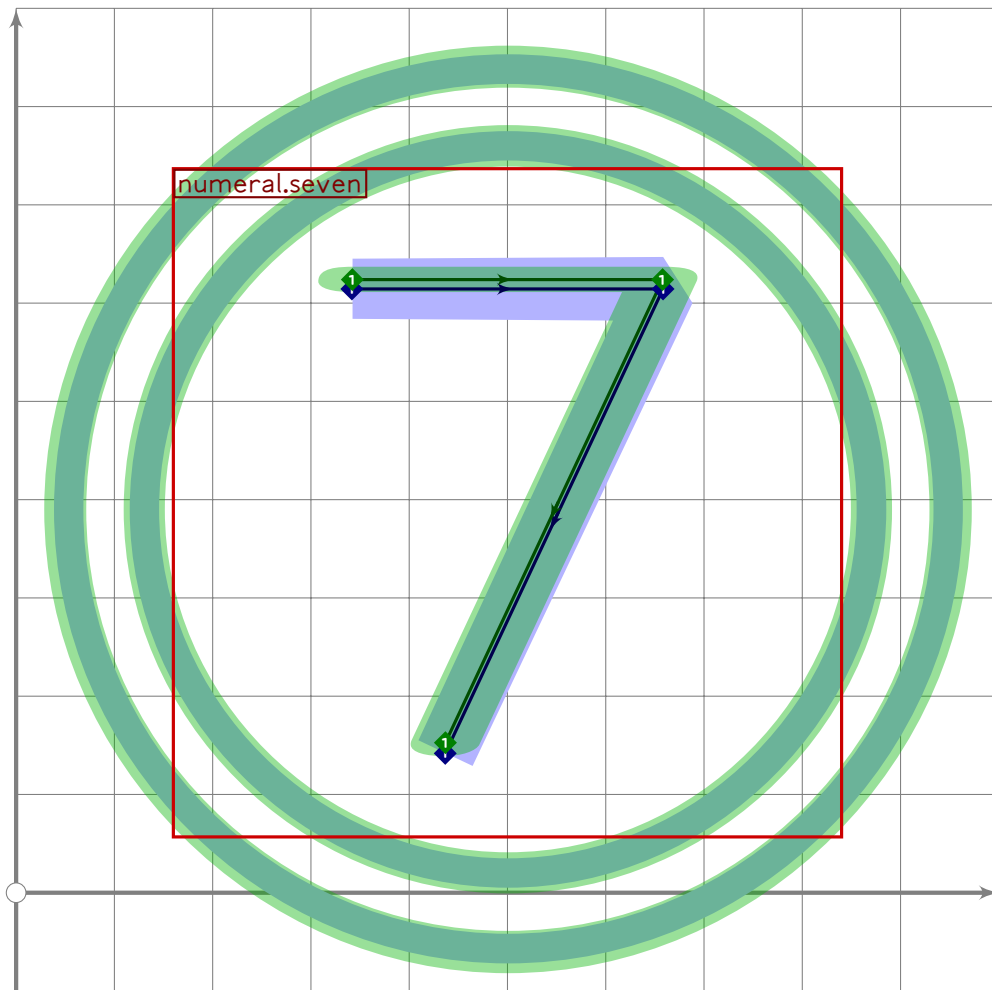
```
712 % 4
713 begint Suglyph("uni24F8",248);
714   tsu_curve.circle.double;
715   tsu_xform(tsu_xf.circled)(tsu_curve.numeral.four);
716   tsu_render;
717 endsuglyph;
718
```



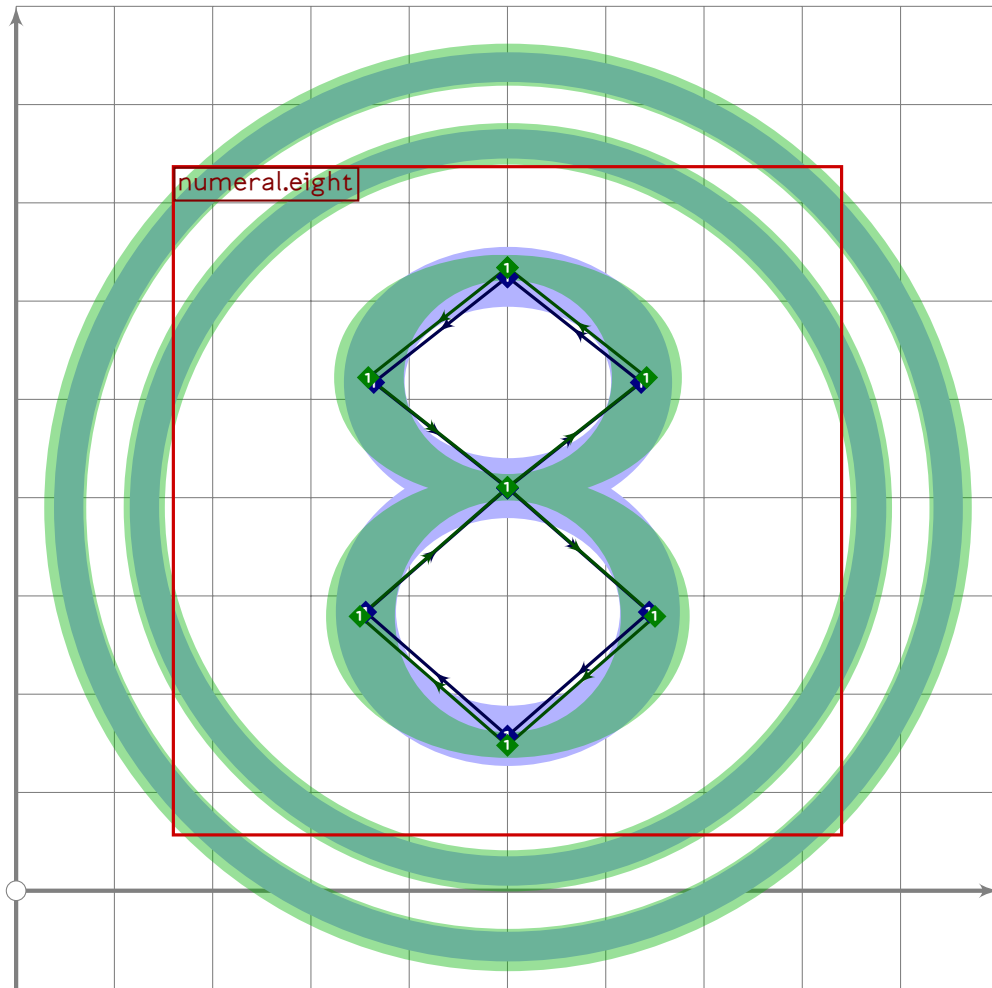
```
719 % 5
720 begint Suglyph("uni24F9";249);
721   tsu_curve.circle.double;
722   tsu_xform(tsu_xf.circled)(tsu_curve.numeral.five);
723   tsu_render;
724 endsuglyph;
725
```

```
726 % 6
727 begint Suglyph("uni24FA";250);
728   tsu_curve.circle.double;
729   tsu_xform(tsu_xf.circled)(tsu_curve.numeral.six);
730   tsu_render;
731 endsuglyph;
732
```



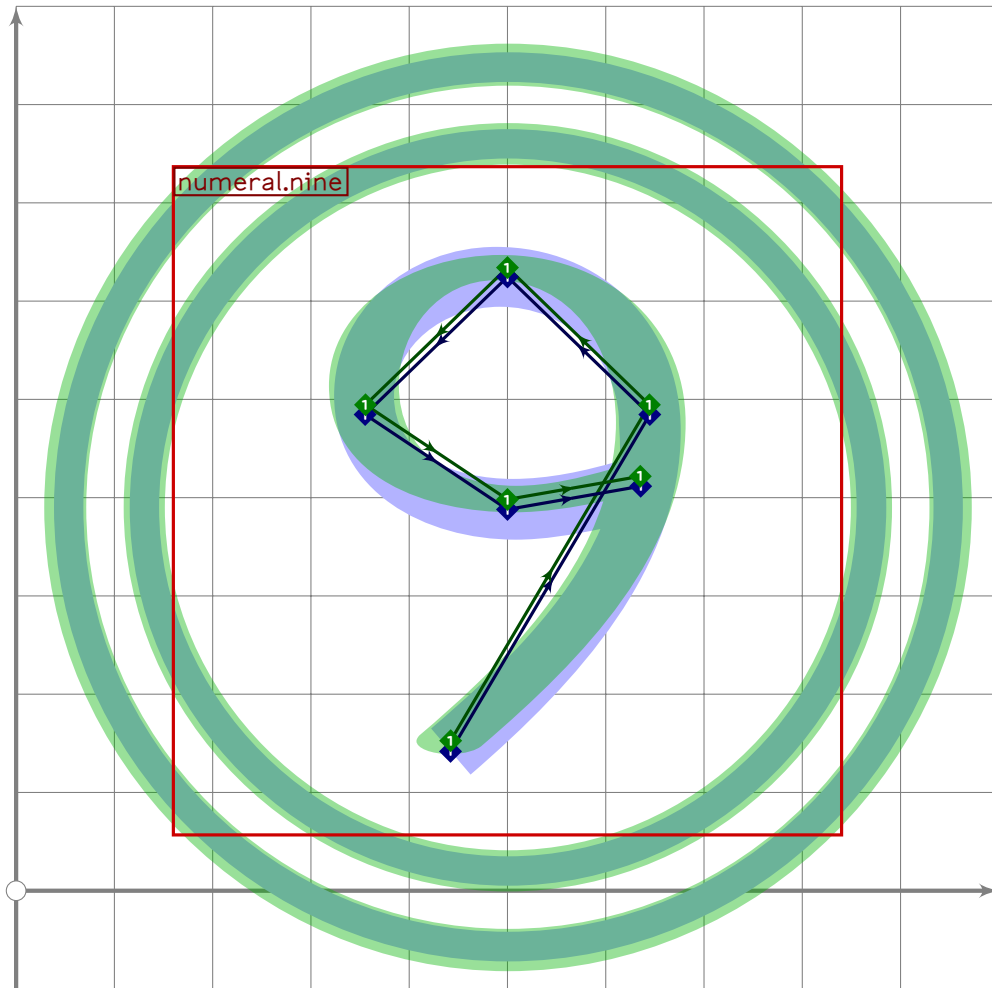
```
733 % 7
734 begint Suglyph("uni24FB",251);
735   tsu_curve.circle.double;
736   tsu_xform(tsu_xf.circled)(tsu_curve.numeral.seven);
737   tsu_render;
738 endsuglyph;
739
```



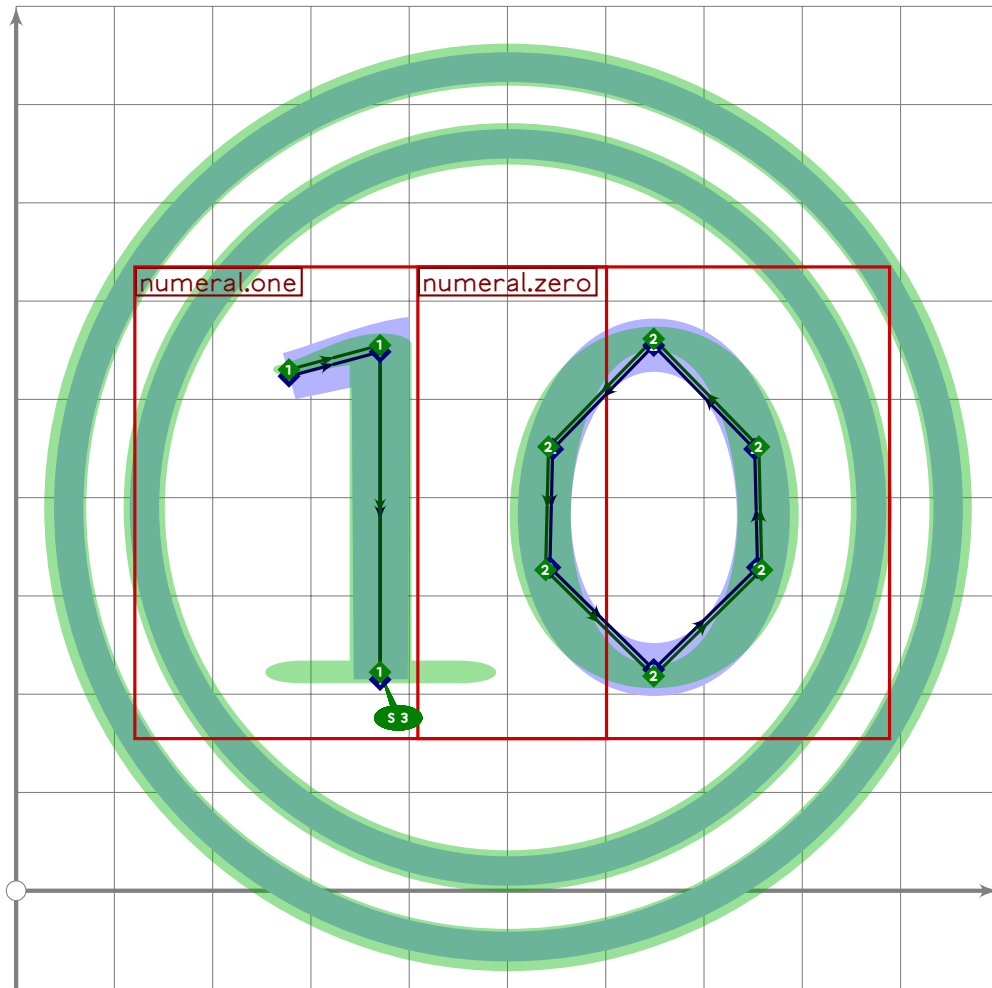
```

740 % 8
741 begint Suglyph("uni24FC";252);
742   tsu_curve.circle.double;
743   tsu_xform(tsu_xf.circled)(tsu_curve.numeral.eight);
744   tsu_render;
745 endsuglyph;
746

```



```
747 % 9
748 begint Suglyph("uni24FD";253);
749 tsu_curve.circle.double;
750 tsu_xform(tsu_xf.circled)(tsu_curve.numeral.nine);
751 tsu_render;
752 endsuglyph;
753
```



```

754 % 10
755 begint Suglyph("uni24FE",254);
756   tsu_curve.circle.double;
757   tsu_xform(tsu_xf.ctwo.left)(tsu_curve.numeral.one);
758   numeric x[],y[];
759   tsu_xform(tsu_xf.ctwo.right)(tsu_curve.numeral.zero);
760   tsu_render;
761 endtsuglyph;
762
763
764

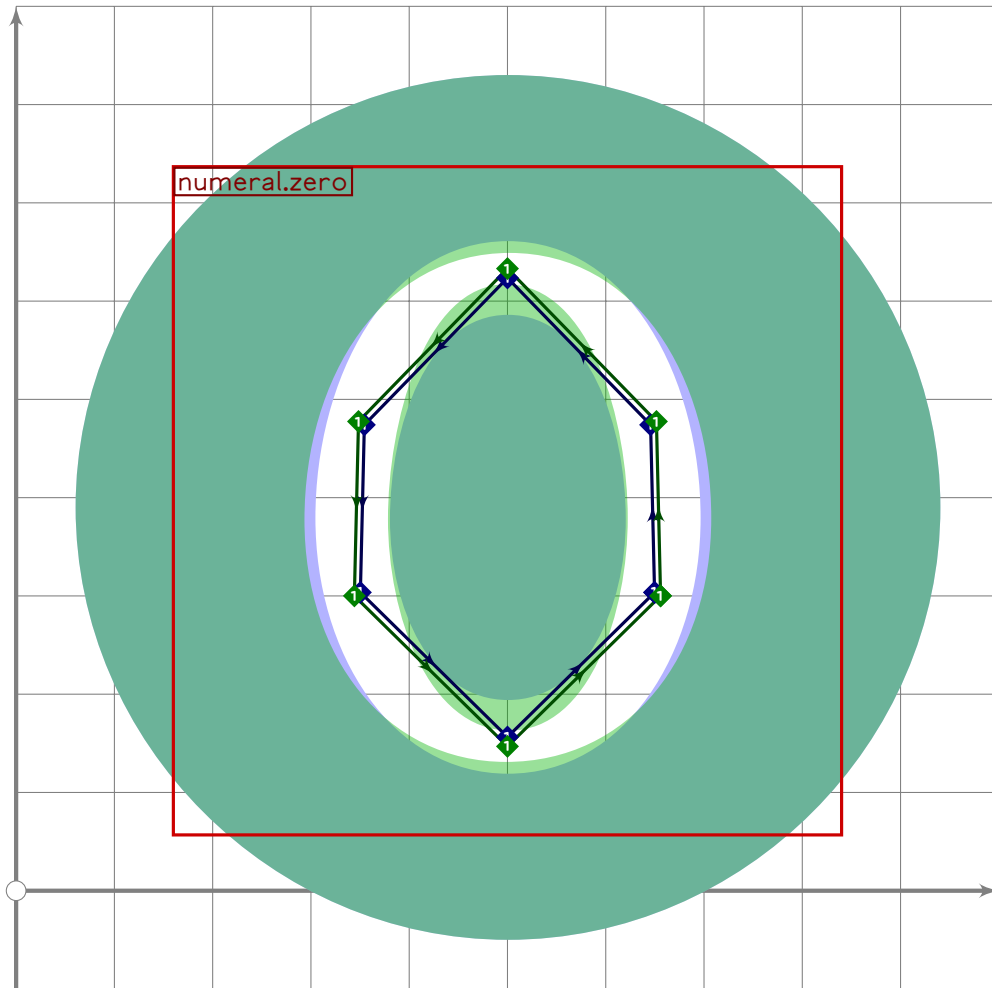
```

One More Inverted Circled Numeral

```

765 % ONE MORE INVERTED CIRCLED NUMERAL
766

```



```

767 % 9
768 % BACKGROUND 25CF
769 begintsuglyph("uni24FF",255);
770 tsu_xform(tsu_xf.circled)(tsu_curve.numeral.zero);
771 i:=1; forever: exitif unknown bp[i]; bo_size[i]:=107; i:=i+1; endfor;
772 tsu_render;
773 endtsuglyph;
774
775 _____
776
777 endfont;
778
779 _____

```

tsuku-25.mp

1 %

2 % Unicode page 24 (Geometric Shapes) for Tsukurimashou

3 % Copyright (C) 2011 Matthew Skala

4 %

5-29 [Standard copyright notice]

30

31

32

33 beginfont

34

35 % AUTODEPS

36

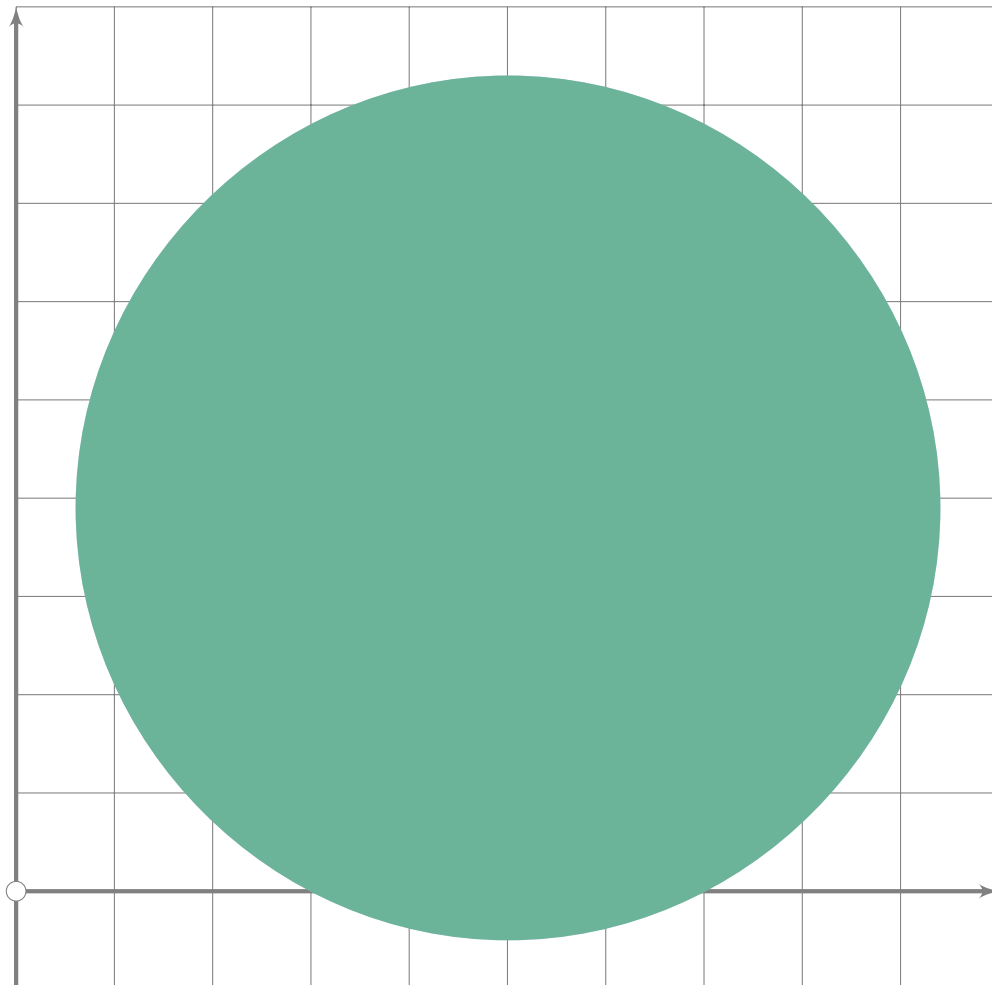
37

38

Geometric Shapes

39 % GEOMETRIC SHAPES

40



41 % black circle - used as background for inverted dingbats

```
42 begintsuglyph("uni25CF",207);
43   Fill fullcircle scaled 880 shifted centre_pt;
44 endsuglyph;
45
46 

---


47
48 endfont;
49
50 

---


```


tsuku-26.mp

```
1 %
2 % Unicode page 26 (Misc. Symbols) for Tsukurimashou
3 % Copyright (C) 2011 Matthew Skala
4 %
5-29 [Standard copyright notice]
30
31 

---

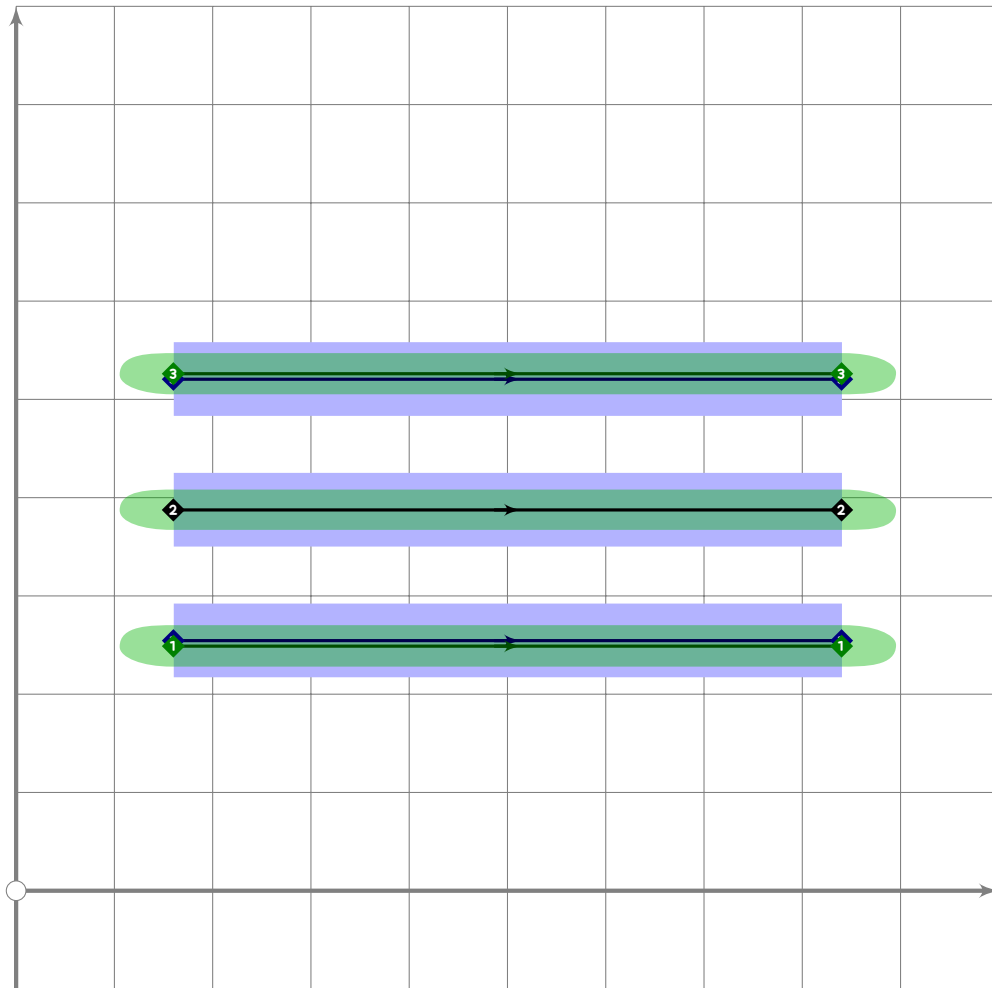

32
33 beginfont
34
35 input latin-intro.mp;
36
37 % AUTODEPS
38 input iching.mp;
39
40 

---


41
```

I Ching

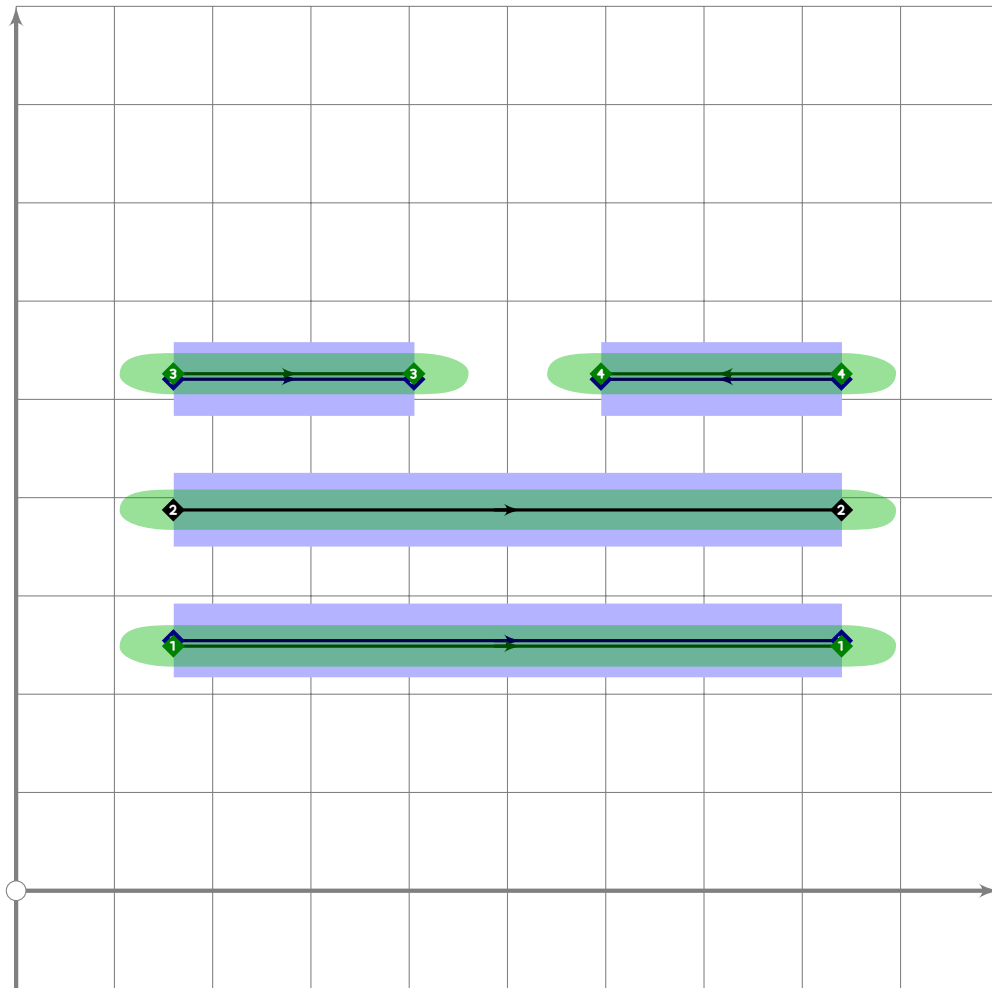
```
42 % I CHING
```



```

43
44 begintsuglyph("ichingtri1",48);
45 tsu_curve.iching.line(1,3,1);
46 tsu_curve.iching.line(2,3,1);
47 tsu_curve.iching.line(3,3,1);
48 tsu_render;
49 endsuglyph;

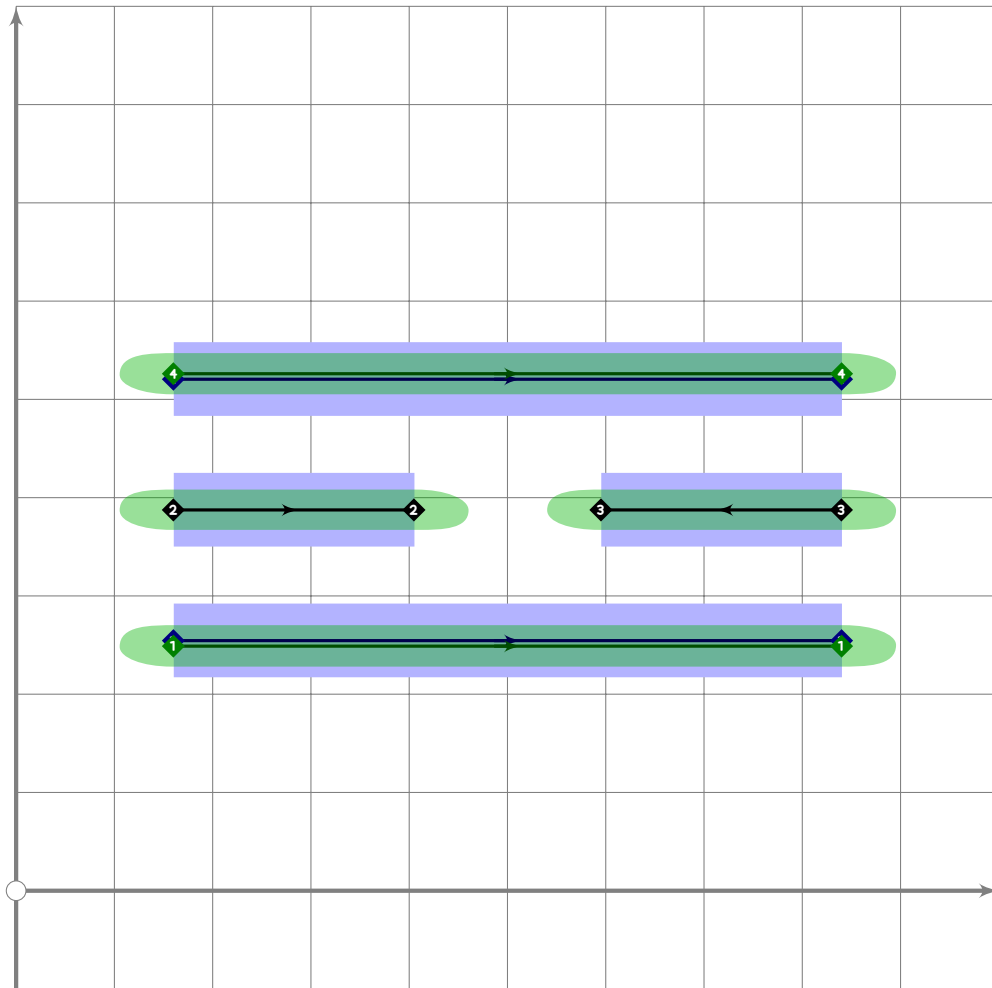
```



```

50
51 begint Suglyph("ichingtri2";49);
52   tsu_curve.iching.line(1,3,1);
53   tsu_curve.iching.line(2,3,1);
54   tsu_curve.iching.line(3,3,0);
55   tsu_render;
56 endtsuglyph;

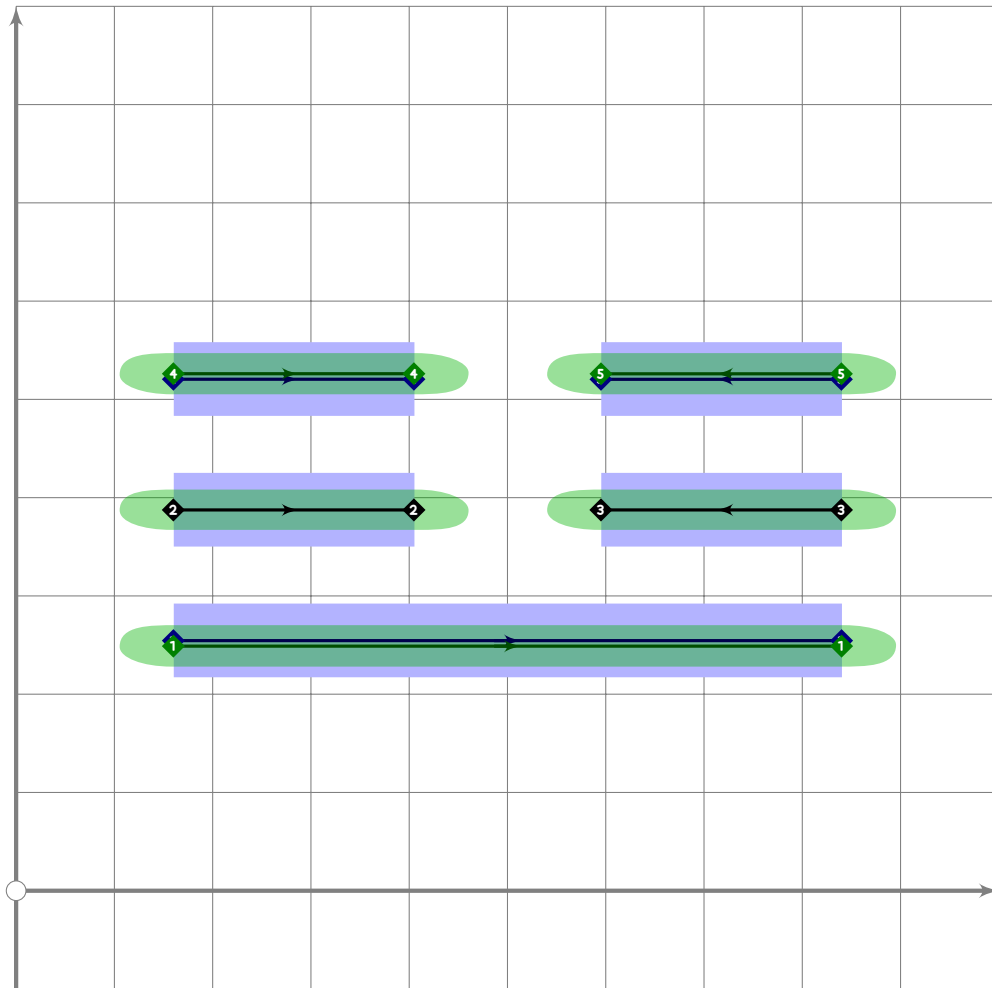
```



```

57
58 begint Suglyph("ichingtri3",50);
59   tsu_curve.iching.line(1,3,1);
60   tsu_curve.iching.line(2,3,0);
61   tsu_curve.iching.line(3,3,1);
62   tsu_render;
63 endtsuglyph;

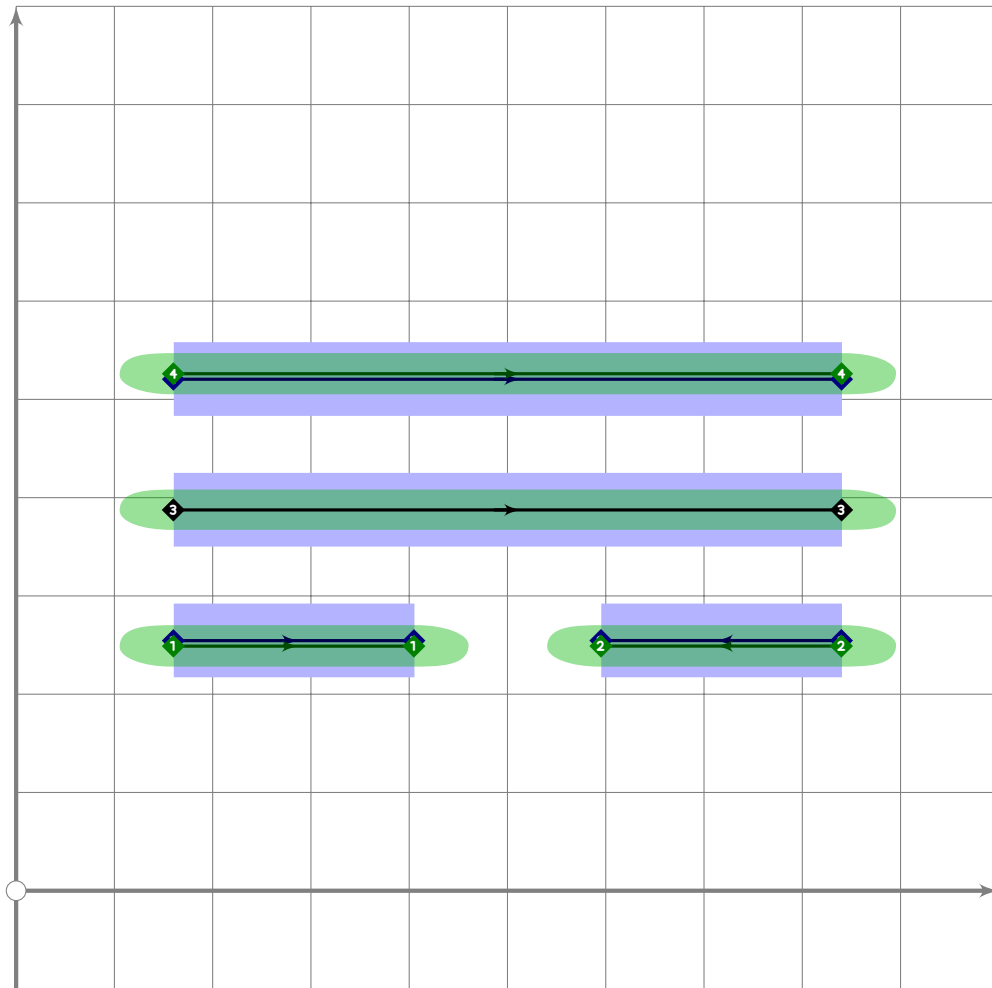
```



```

64
65 begint Suglyph("ichingtri4";51);
66 tsu_curve.iching.line(1,3,1);
67 tsu_curve.iching.line(2,3,0);
68 tsu_curve.iching.line(3,3,0);
69 tsu_render;
70 endtsuglyph;

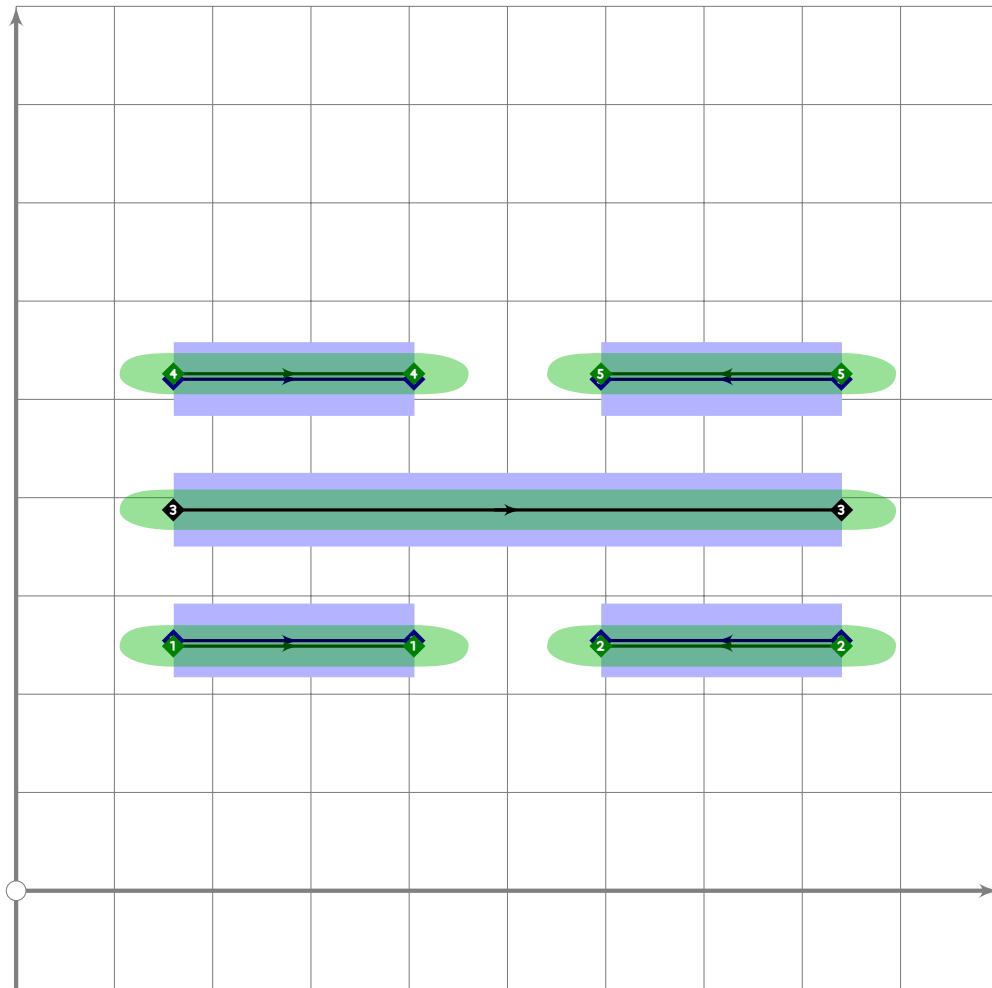
```



```

71
72 begint Suglyph("ichingtri5",52);
73   tsu_curve.iching.line(1,3,0);
74   tsu_curve.iching.line(2,3,1);
75   tsu_curve.iching.line(3,3,1);
76   tsu_render;
77 endtsuglyph;

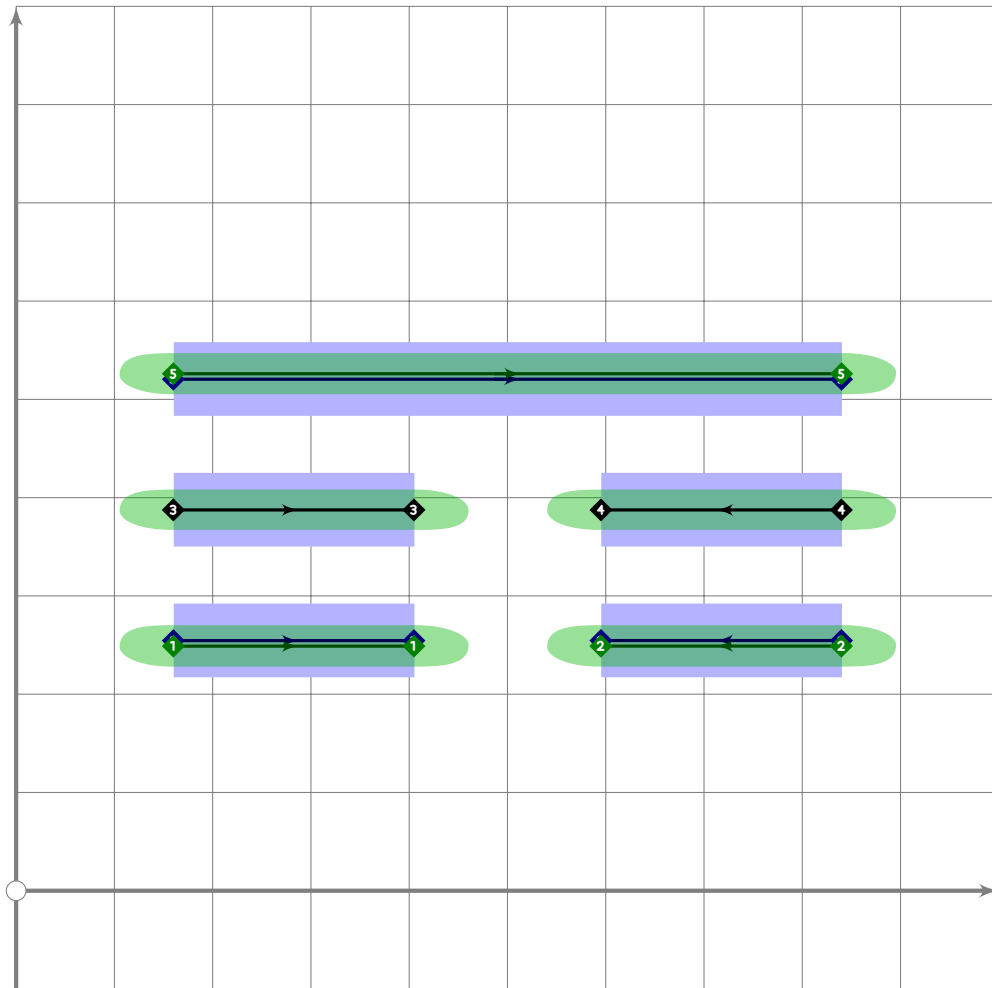
```



```

78
79 begintsuglyph("ichingtri6";53);
80 tsu_curve.iching.line(1,3,0);
81 tsu_curve.iching.line(2,3,1);
82 tsu_curve.iching.line(3,3,0);
83 tsu_render;
84 endtsuglyph;

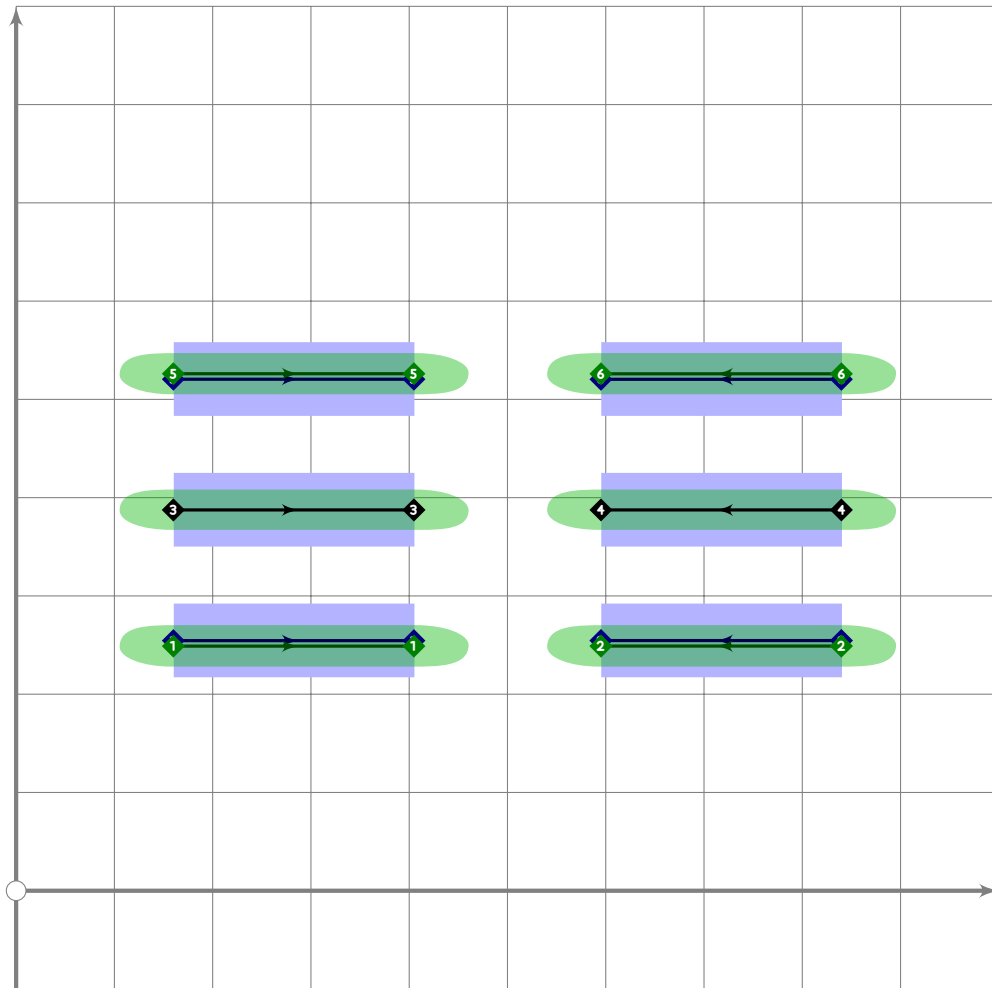
```



```

85
86 begint Suglyph("ichingtri7",54);
87   tsu_curve.iching.line(1,3,0);
88   tsu_curve.iching.line(2,3,0);
89   tsu_curve.iching.line(3,3,1);
90   tsu_render;
91 endtsuglyph;

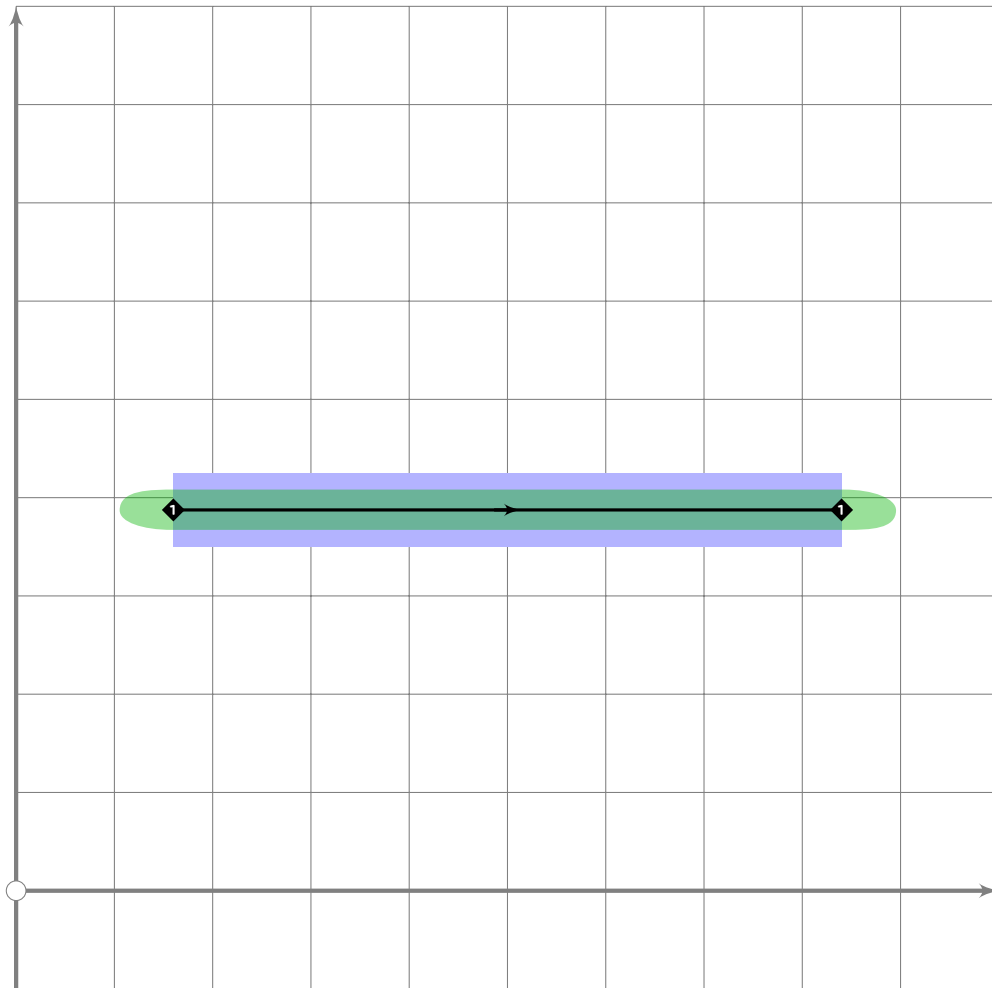
```

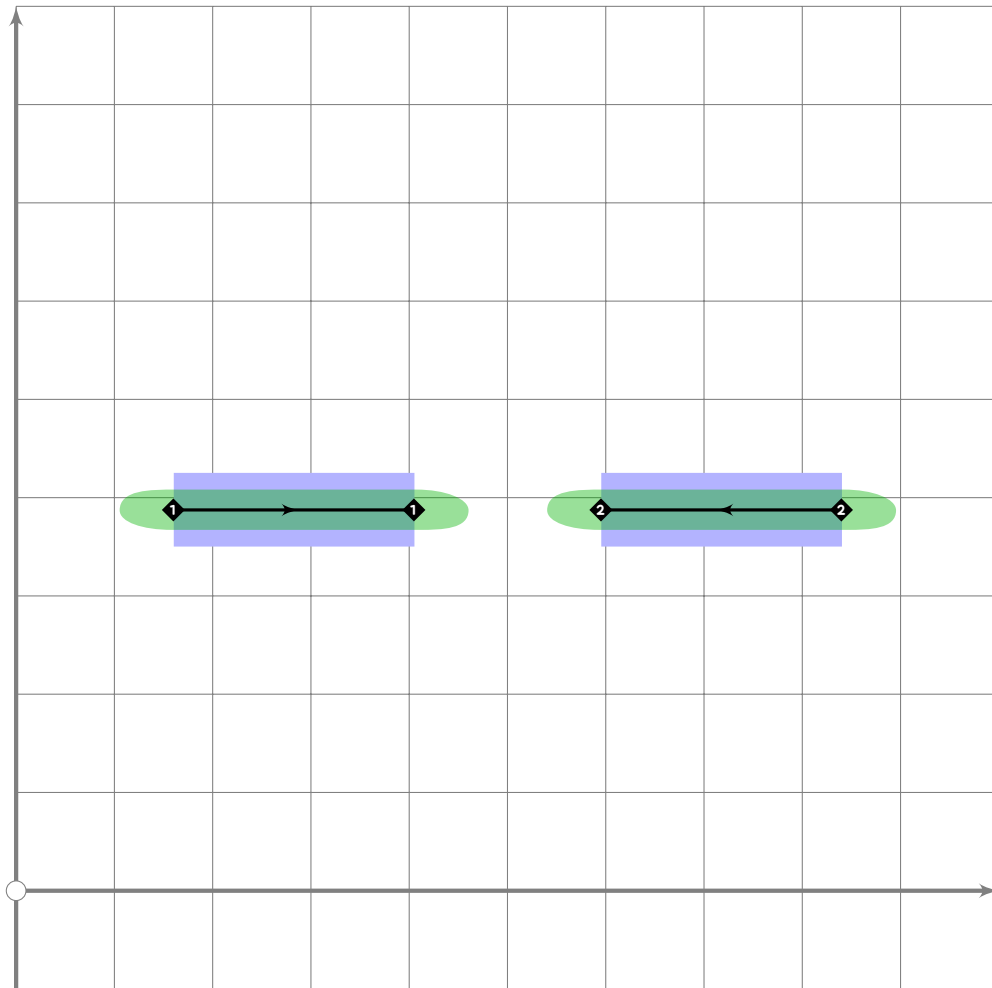
```

92
93 begint Suglyph("ichingtri8";55);
94   tsu_curve.iching.line(1,3,0);
95   tsu_curve.iching.line(2,3,0);
96   tsu_curve.iching.line(3,3,0);
97   tsu_render;
98 endtsuglyph;

```



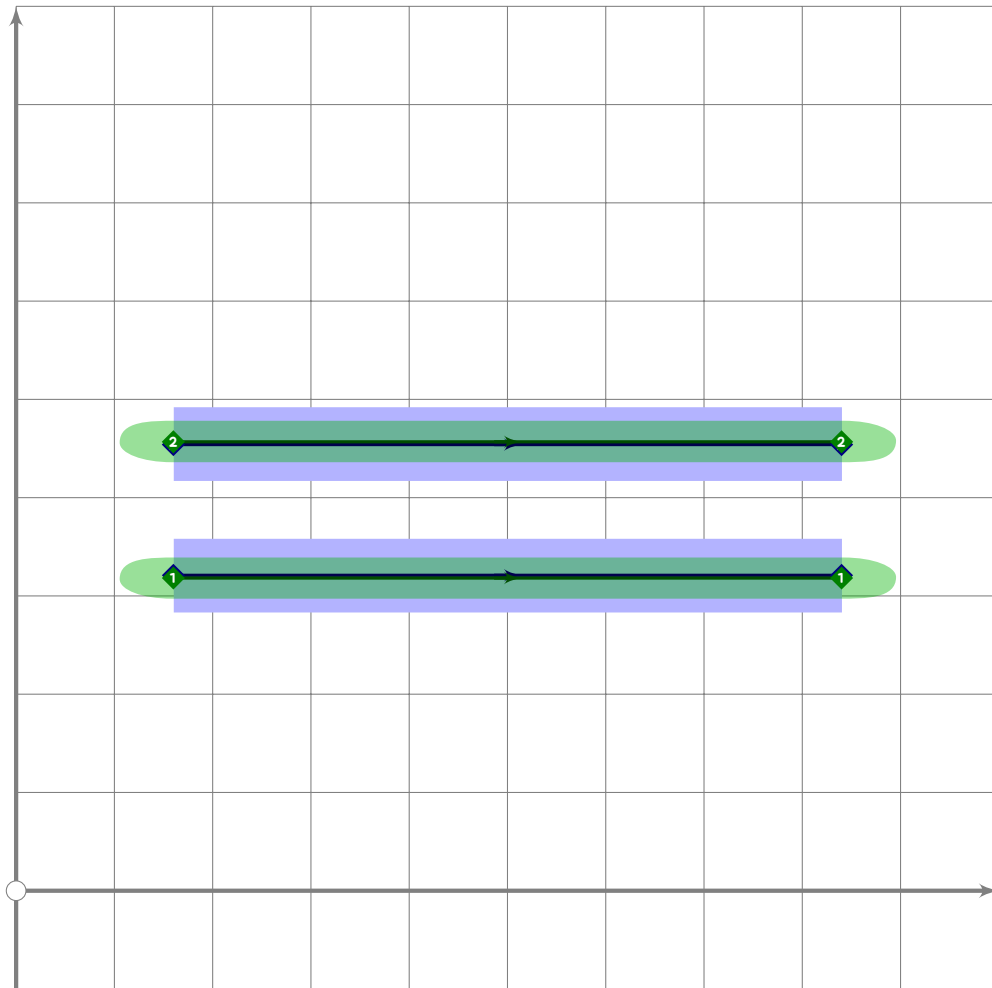
```
99  
100 begintsuglyph("ichingmono1";138);  
101 tsu_curve.iching.line(1,1,1);  
102 tsu_render;  
103 endtsuglyph;
```



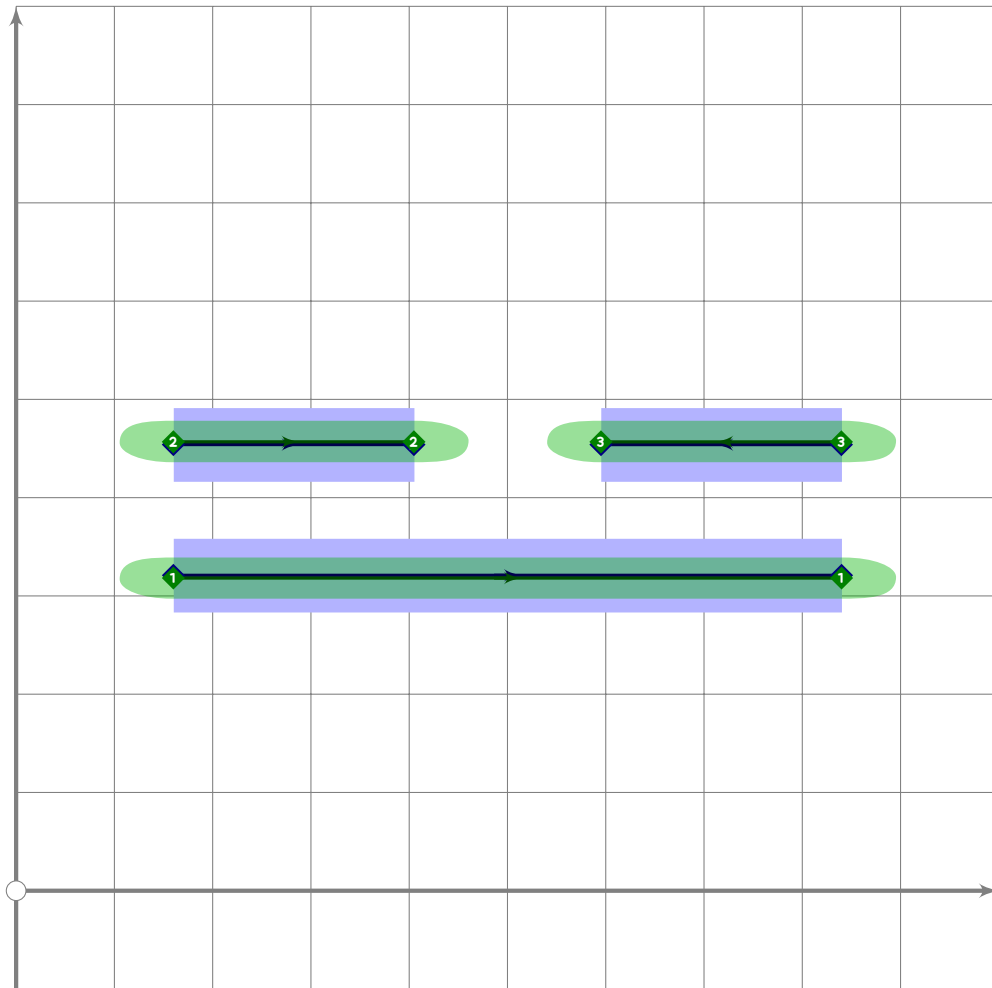
```

104
105 begintsuglyph("ichingmono2",139);
106 tsu_curve.iching.line(1,1,0);
107 tsu_render;
108 endtsuglyph;

```



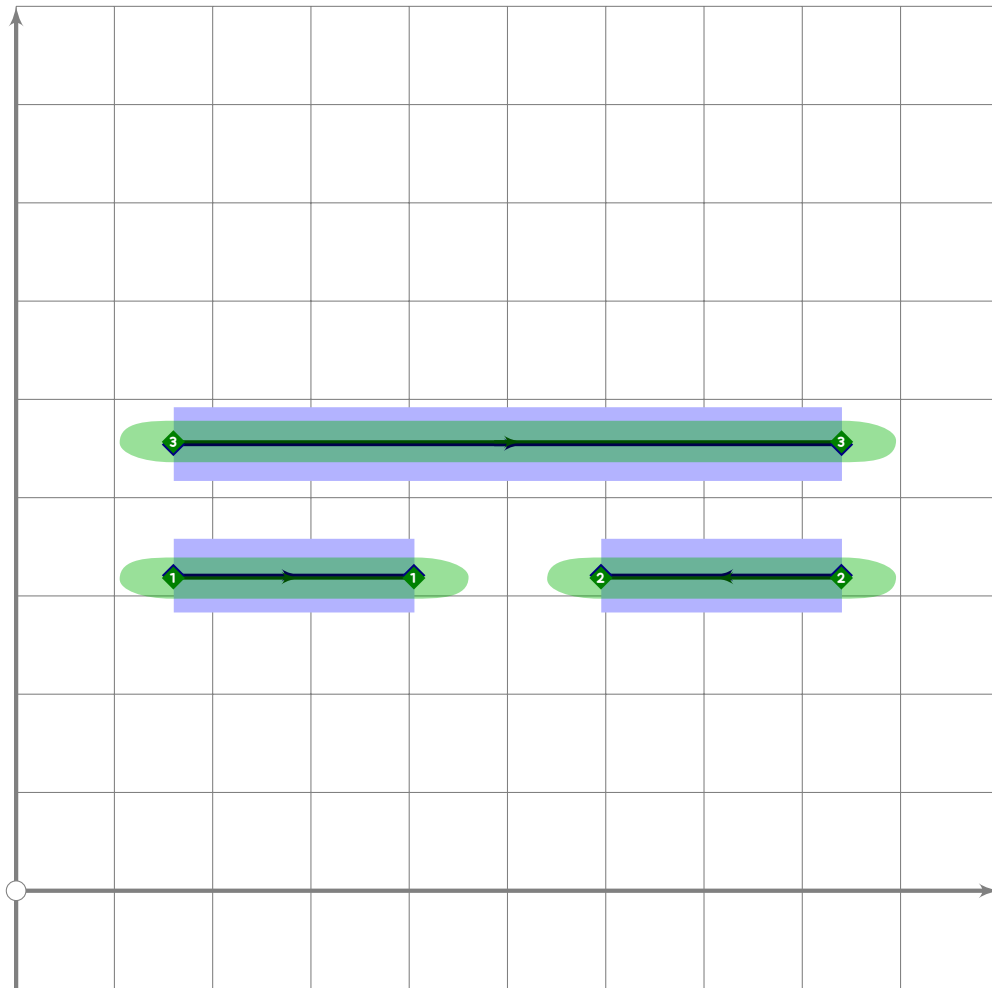
```
109  
110 begintsuglyph("ichingdi1";140);  
111 tsu_curve.iching.line(1,2,1);  
112 tsu_curve.iching.line(2,2,1);  
113 tsu_render;  
114 endtsuglyph;
```



```

115
116 begint Suglyph("ichingdi2",141);
117   tsu_curve.iching.line(1,2,1);
118   tsu_curve.iching.line(2,2,0);
119   tsu_render;
120 endtsuglyph;

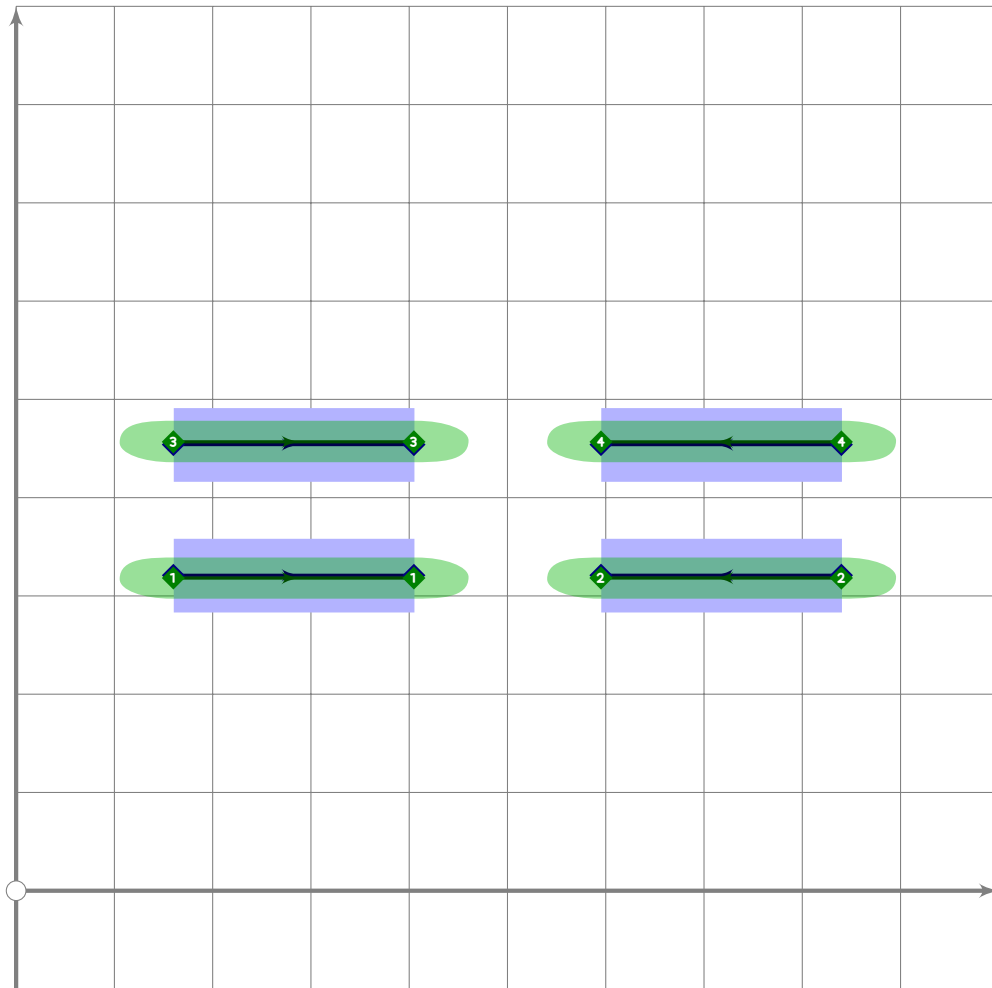
```



```

121
122 begintsuglyph("ichingdi3",142);
123 tsu_curve.iching.line(1,2,0);
124 tsu_curve.iching.line(2,2,1);
125 tsu_render;
126 endtsuglyph;

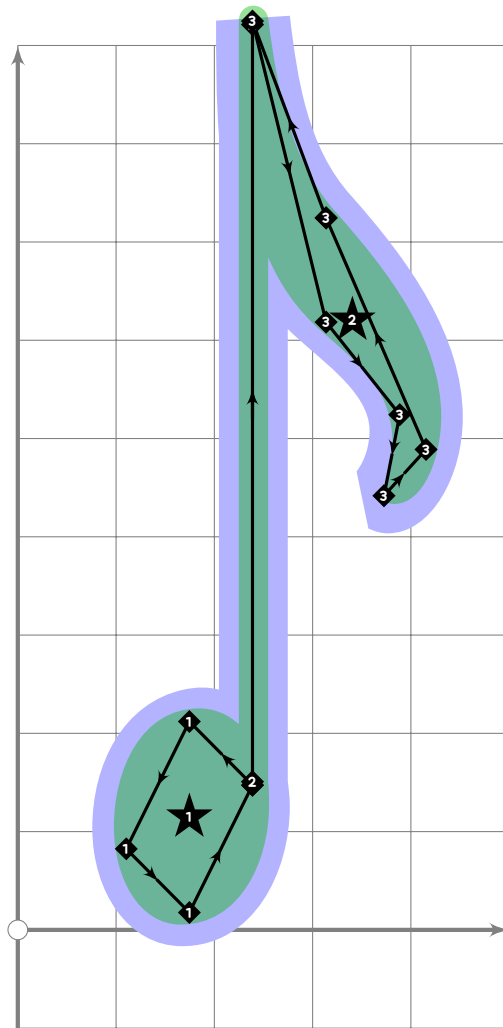
```



```

127
128 begintsuglyph("ichingdi4",143);
129 tsu_curve.iching.line(1,2,0);
130 tsu_curve.iching.line(2,2,0);
131 tsu_render;
132 endsuglyph;
133
134 _____
135
136 % musical eighth note, required for MES-1
137 tsu_rescale_half;

```



```

138 begintsuglyph("musicalnote",106);
139 bp[sp]:=(500,150)..(380,205)..(260,95)..(380,40)..cycle;
140 bq[sp]:=(1.6,1.6)-(1.4,1.4)-(1.4,1.4)-(1.4,1.4)-cycle;
141 bo_alterate[sp]:=true;
142 bp[sp*1]:=(500,153)-(500,807);
143 bq[sp*1]:=(1.6,1.6)-(1.6,1.6);
144 bo_alterate[sp*1]:=true;
145 bp[sp*2]:=(640,640)..{curl 1}(500,810){down}..(640,550)..(780,470)..
146   {curl 1}(750,400){curl 1}..(830,440)..cycle;
147 bq[sp*2]:=(1.3,1.3)-(1.6,1.6)-(1.3,1.3)-(1.3,1.3)-(1,1)-(1.3,1.3);
148 bo_tip[sp*2][1]:=0;
149 bo_tip[sp*2][4]:=0;
150 bo_alterate[sp*2]:=true;
151 if tsu_pbrush_size>=30:
152   lcblob1:=bp[sp];
153   lcblob2:=bp[sp*2];
154 fi;
155 sp:=sp*3;
156 tsu_render;
157 endtsuglyph;

```


158

159

160

161 **endfont;**

162

163

tsuku-27.mp

```
1 %
2 % Unicode page 27 (Zapfian Dingbats) for Tsukurimashou
3 % Copyright (C) 2011 Matthew Skala
4 %
5-29 [Standard copyright notice]
30
31 

---

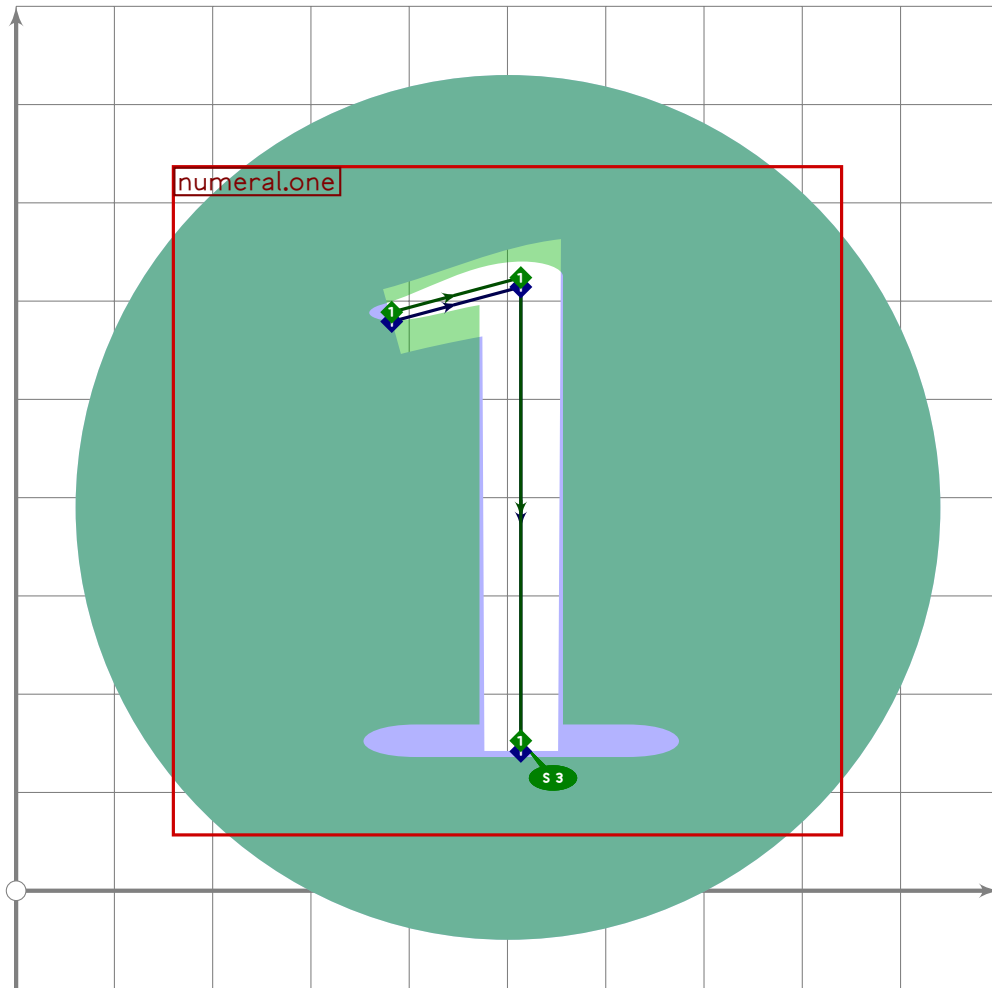

32
33 beginfont
34
35 input latin-intro.mp;
36 input enclosed.mp;
37
38 % AUTODEPS
39 input numerals.mp;
40
41 

---


42
```

Inverted Circled Numerals

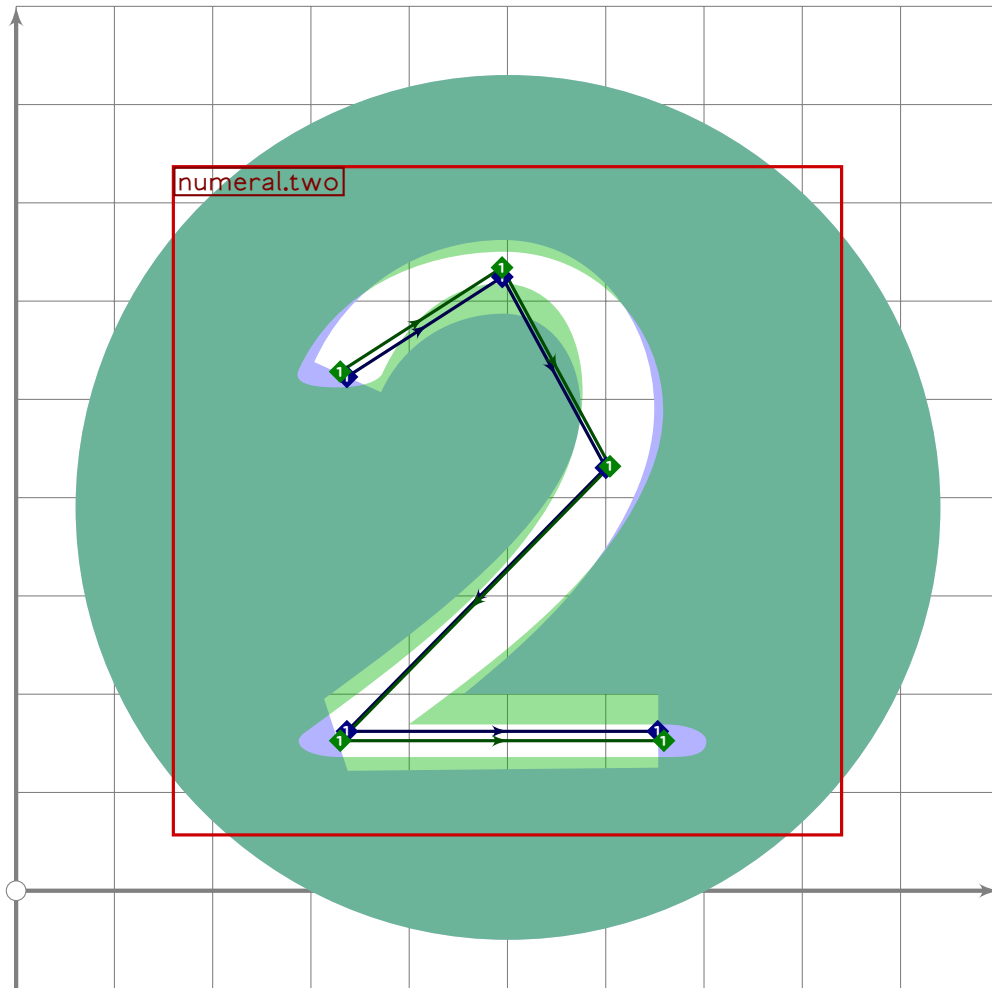
```
43 % INVERTED CIRCLED NUMERALS
44
```



```

45 % 1
46 % BACKGROUND 25CF
47 begint Suglyph("uni2776";118);
48 tsu_xform(tsu_xf.circled)(tsu_curve.numeral.one);
49 i:=1; forever: exitif unknown bp[i]; bo_size[i]:=107; i:=i+1; endfor;
50 tsu_render;
51 endtsuglyph;
52

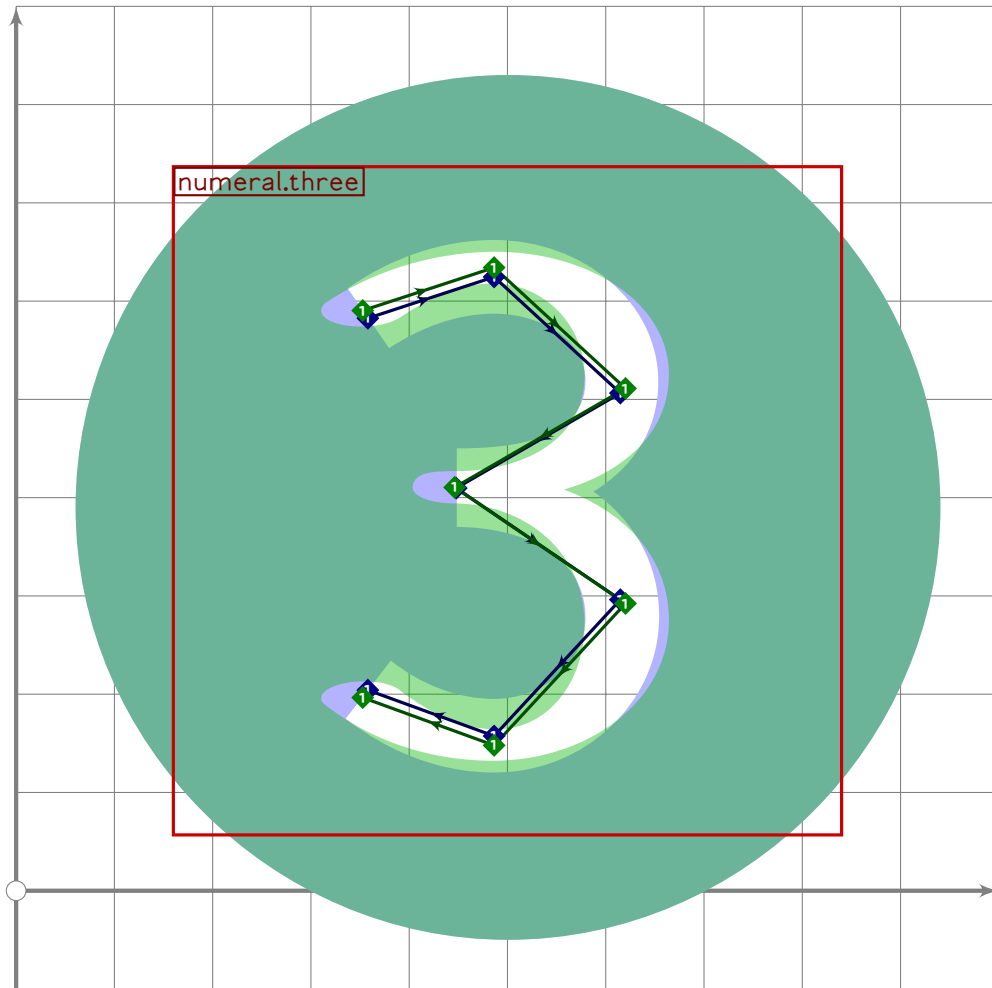
```



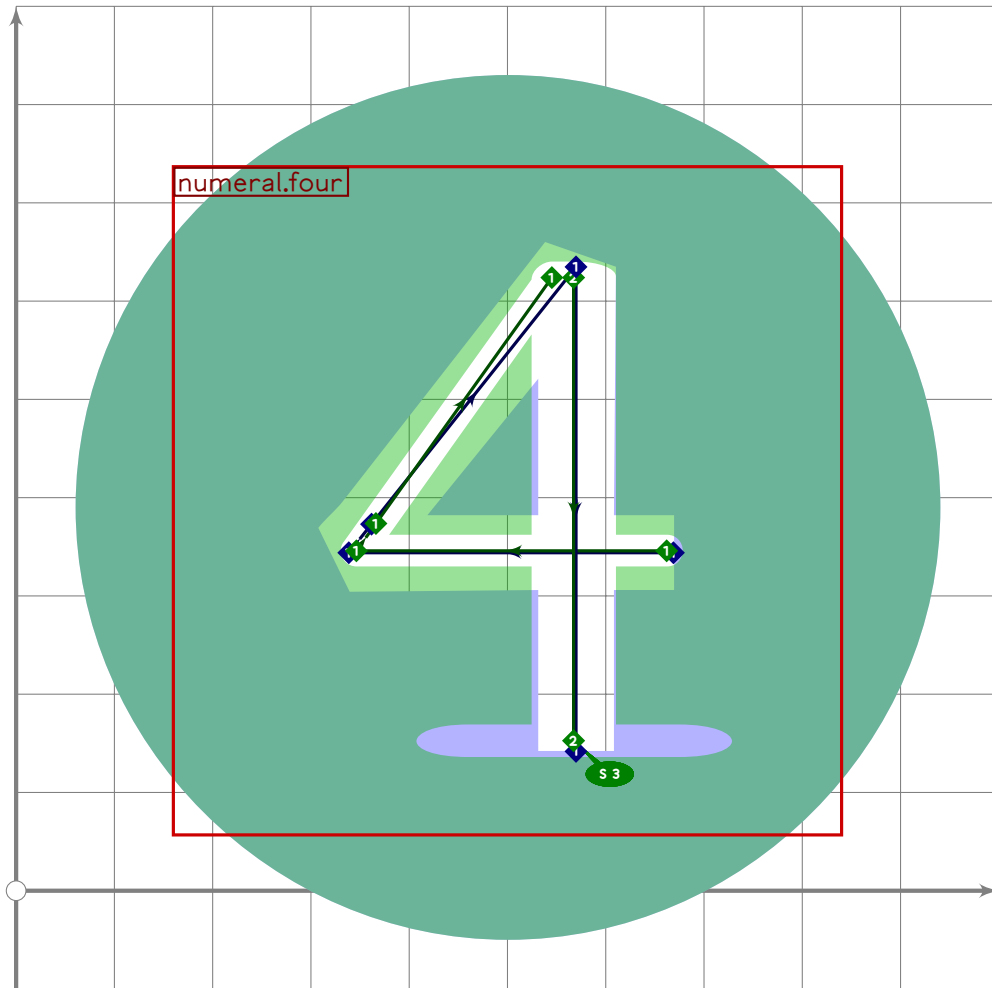
```

53 % 2
54 % BACKGROUND 25CF
55 beginsuglyph("uni2777";119);
56 tsu_xform(tsu_xf.circled)(tsu_curve.numeral.two);
57 i:=1; forever: exitif unknown bp[i]; bo_size[i]:=107; i:=i+1; endfor;
58 tsu_render;
59 endsuglyph;
60

```



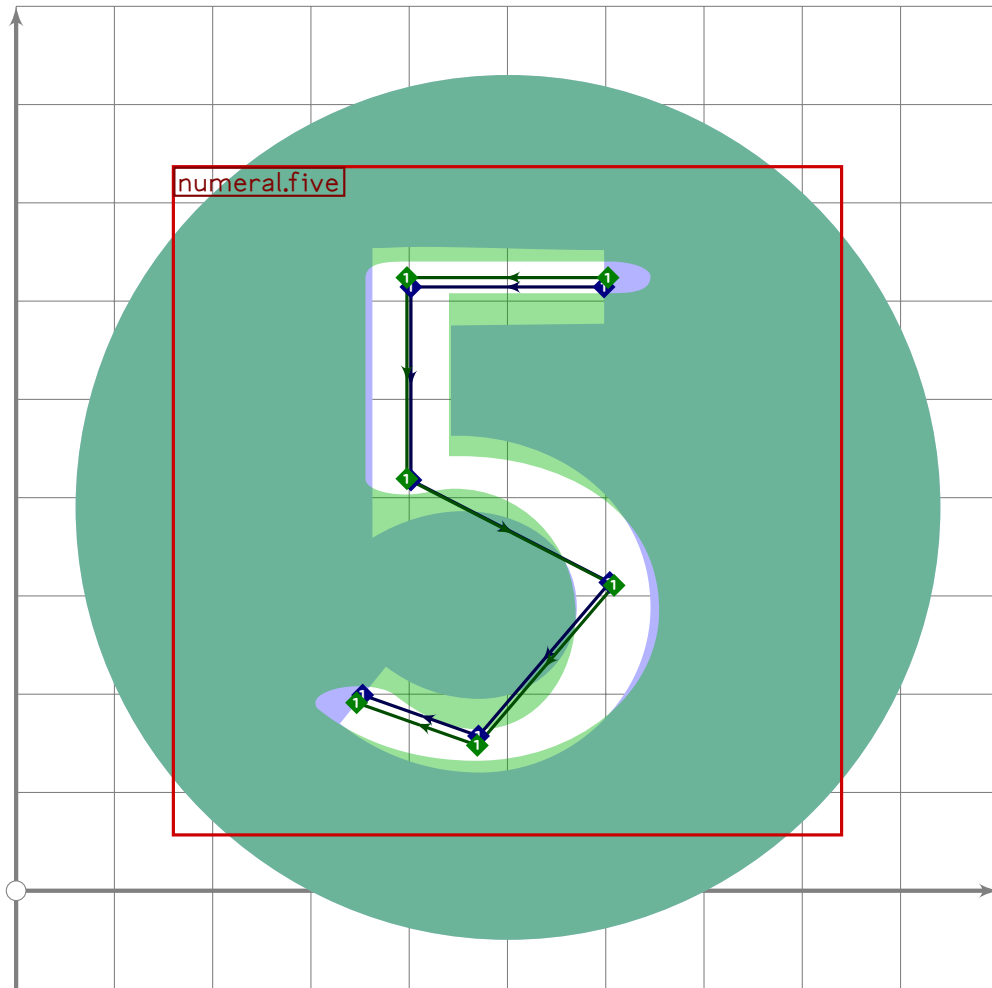
```
61 % 3
62 % BACKGROUND 25CF
63 beginsuglyph("uni2778",120);
64 tsu_xform(tsu_xf.circled)(tsu_curve.numeral.three);
65 i:=1; forever: exitif unknown bp[i]; bo_size[i]:=107; i:=i+1; endfor;
66 tsu_render;
67 endsuglyph;
68
```



```

69 % 4
70 % BACKGROUND 25CF
71 begint Suglyph("uni2779";121);
72 tsu_xform(tsu_xf.circled)(tsu_curve.numeral.four);
73 i:=1; forever: exitif unknown bp[i]; bo_size[i]:=107; i:=i+1; endfor;
74 tsu_render;
75 endtsuglyph;
76

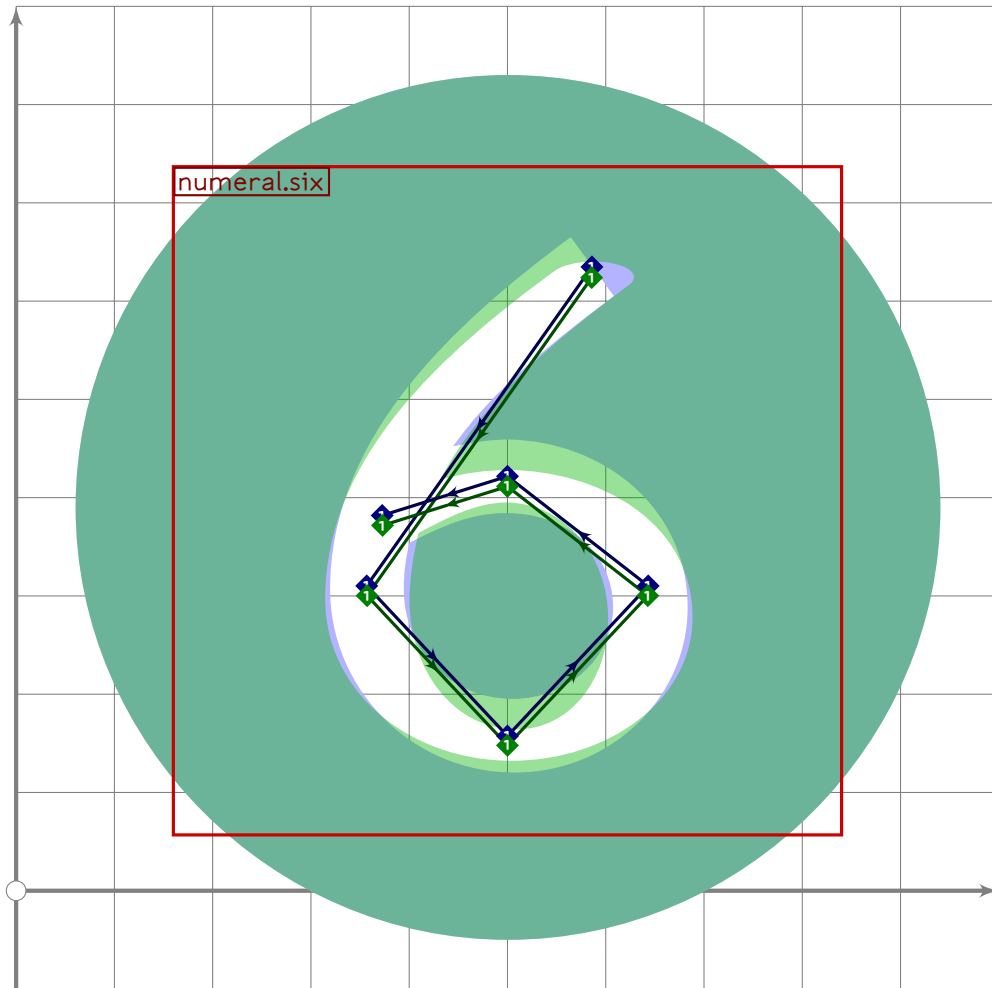
```



```

77 % 5
78 % BACKGROUND 25CF
79 beginsuglyph("uni277A";122);
80 tsu_xform(tsu_xf.circled)(tsu_curve.numeral.five);
81 i:=1; forever: exitif unknown bp[i]; bo_size[i]:=107; i:=i+1; endfor;
82 tsu_render;
83 endsuglyph;
84

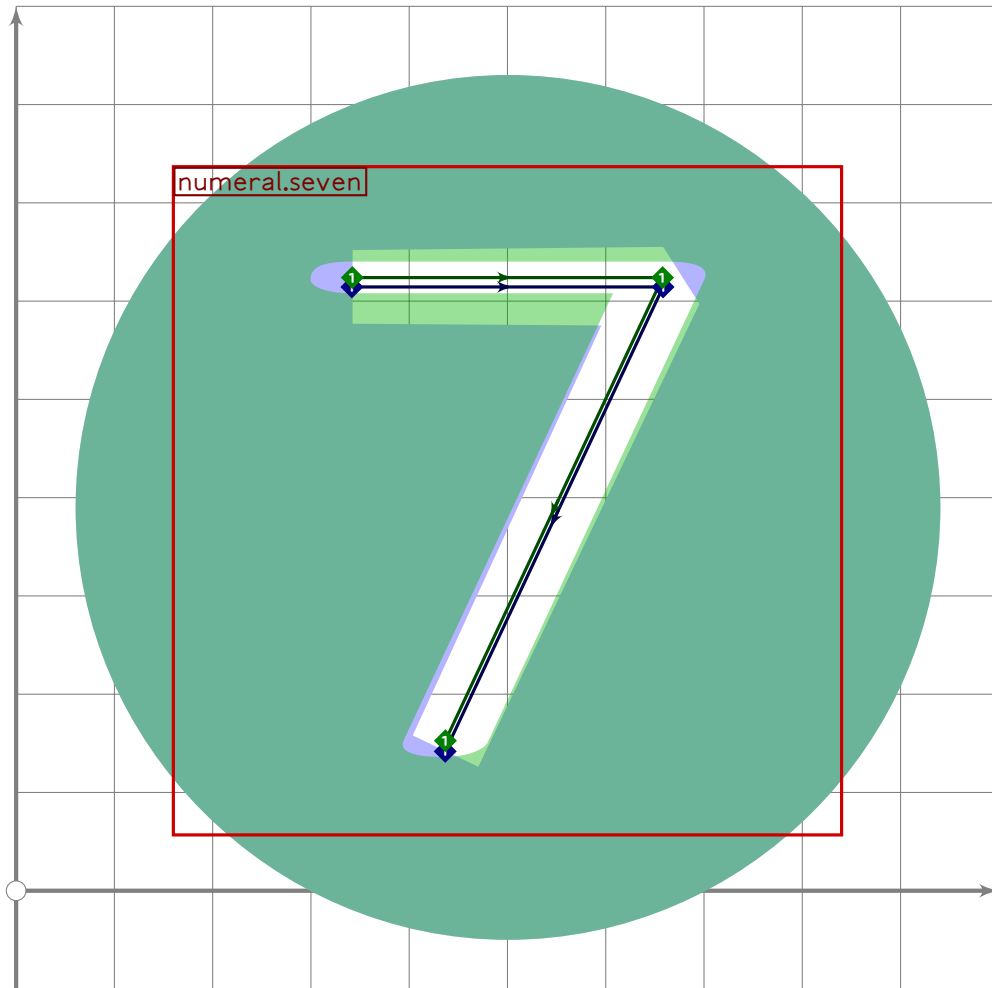
```



```

85 % 6
86 % BACKGROUND 25CF
87 begint Suglyph("uni277B",123);
88   tsu_xform(tsu_xf.circled)(tsu_curve.numeral.six);
89   i:=1; forever: exitif unknown bp[i]; bo_size[i]:=107; i:=i+1; endfor;
90   tsu_render;
91   endtsuglyph;
92

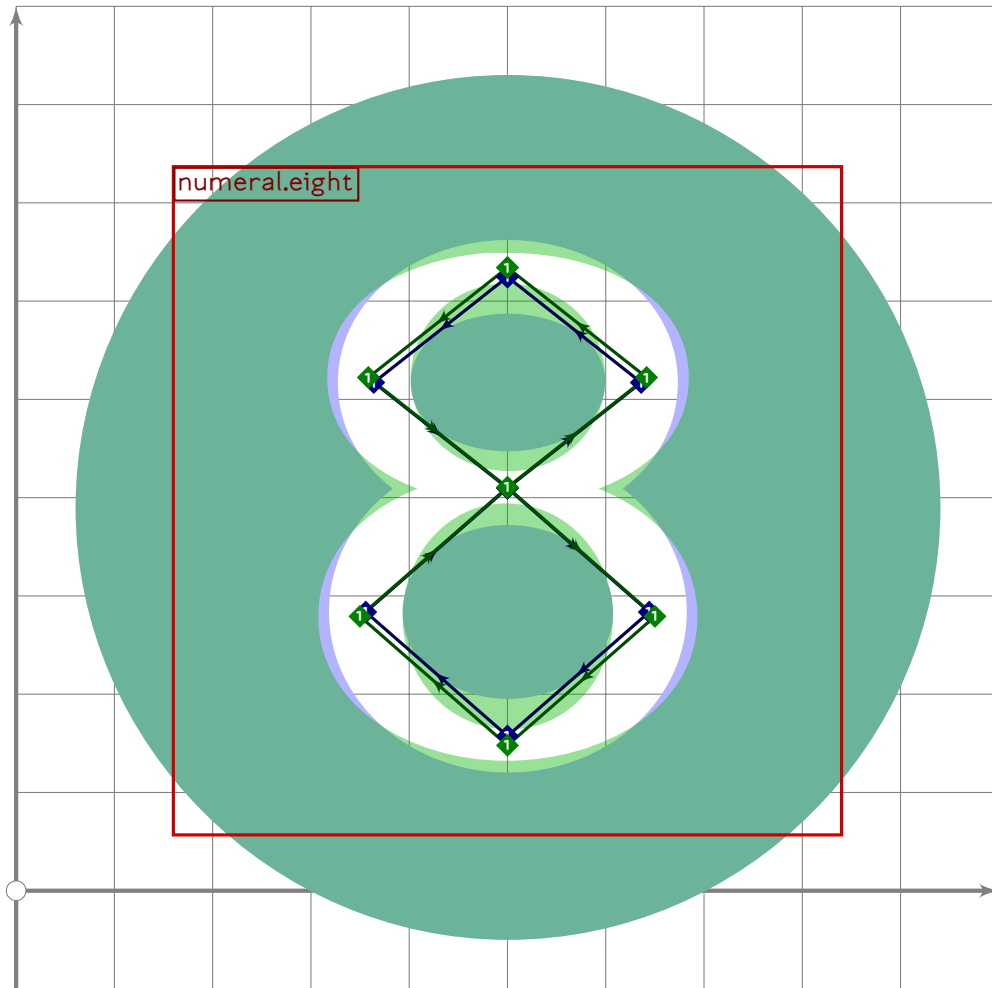
```

```

93 % 7
94 % BACKGROUND 25CF
95 beginsuglyph("uni277C";124);
96 tsu_xform(tsu_xf.circled)(tsu_curve.numeral.seven);
97 i:=1; forever: exitif unknown bp[i]; bo_size[i]:=107; i:=i+1; endfor;
98 tsu_render;
99 endsuglyph;
100

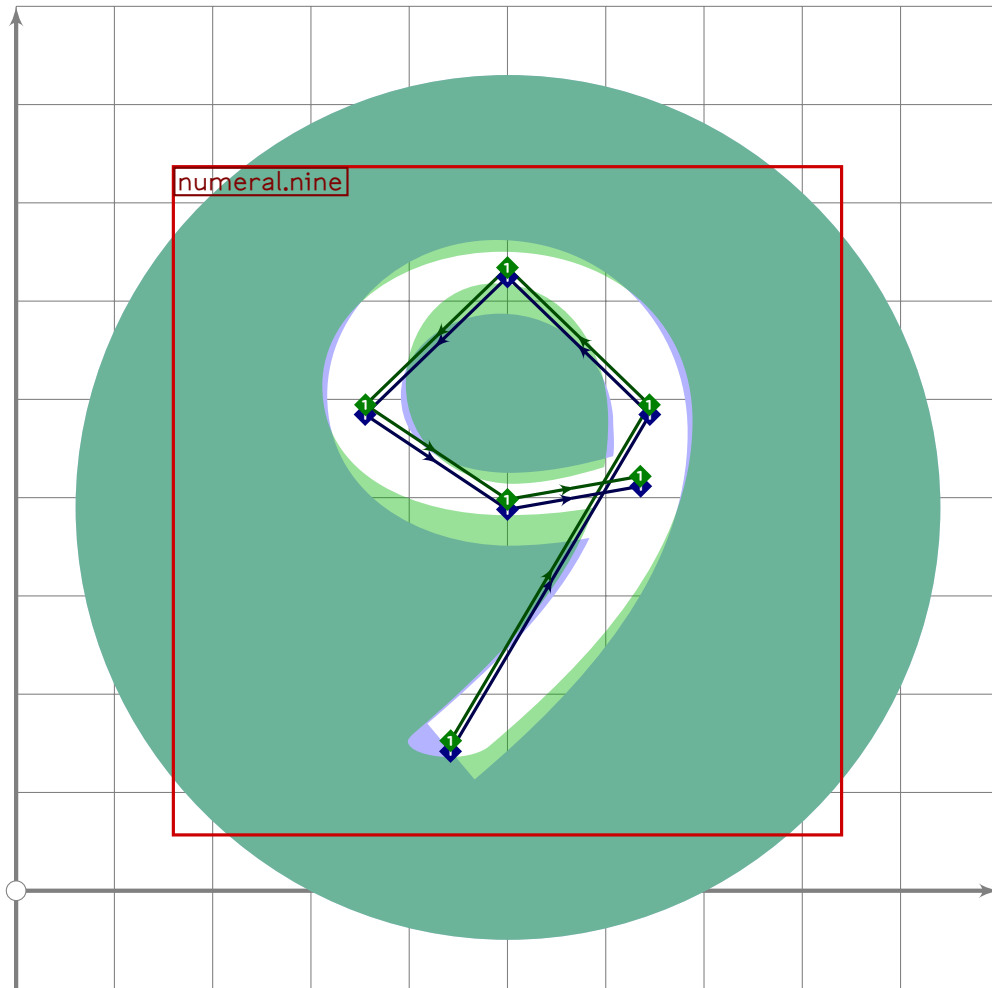
```



```

101 % 8
102 % BACKGROUND 25CF
103 beginsuglyph("uni277D";125);
104   tsu_xform(tsu_xf.circled)(tsu_curve.numeral.eight);
105   i:=1; forever: exitif unknown bp[i]; bo_size[i]:=107; i:=i+1; endfor;
106   tsu_render;
107 endsuglyph;
108

```



```

109 % 9
110 % BACKGROUND 25CF
111 begint Suglyph("uni277E",126);
112 tsu_xform(tsu_xf.circled)(tsu_curve.numeral.nine);
113 i:=1; forever: exitif unknown bp[i]; bo_size[i]:=107; i:=i+1; endfor;
114 tsu_render;
115 endtsuglyph;
116

```


Part III

U+3000 to U+4DFF

tsuku-30.mp

```
1 %
2 % Unicode page 30 (Kana) for Tsukurimashou
3 % Copyright (C) 2011 Matthew Skala
4 %
```

```
5-29 [Standard copyright notice]
```

```
30
```

```
31
```

```
32
```

```
33 beginfont
```

```
34
```

```
35 % AUTODEPS
```

```
36 input dakuten.mp;
```

```
37 input hiragana.mp;
```

```
38 input katakana.mp;
```

```
39 input punct.mp;
```

```
40
```

```
41
```

```
42
```

Ideographic Symbols And Punctuation

```
43 % IDEOGRAPHIC SYMBOLS AND PUNCTUATION
```

```
44
```

```
45 % ideographic comma
```

```
46 begintsuglyph("uni3001";1);
```

[see page [269](#)]

```
47 tsu\_curve.punct.hancomma;
```

```
48 tsu\_render;
```

```
49 endtsuglyph;
```

```
50
```

```
51 % ideographic full stop
```

```
52 begintsuglyph("uni3002";2);
```

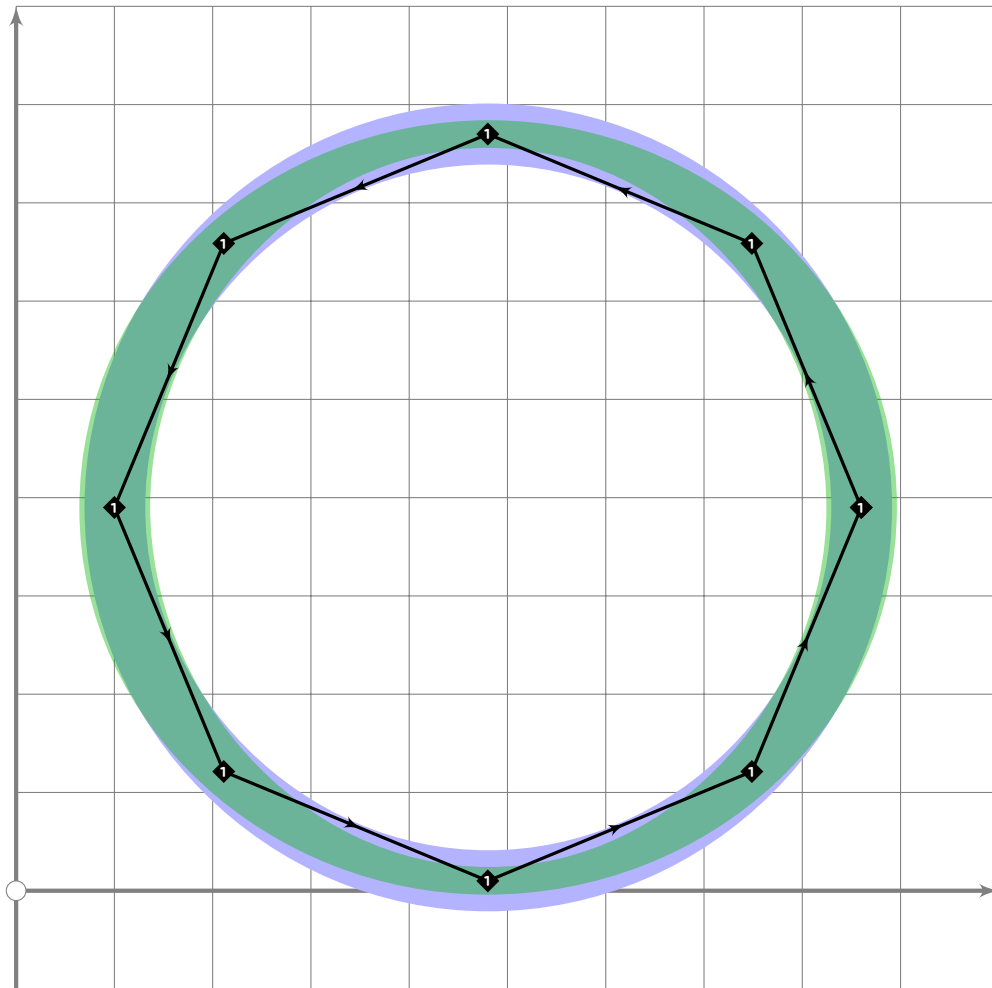
[see page [266](#)]

```
53 tsu\_curve.punct.full\_stop;
```

```
54 tsu\_render;
```

```
55 endtsuglyph;
```

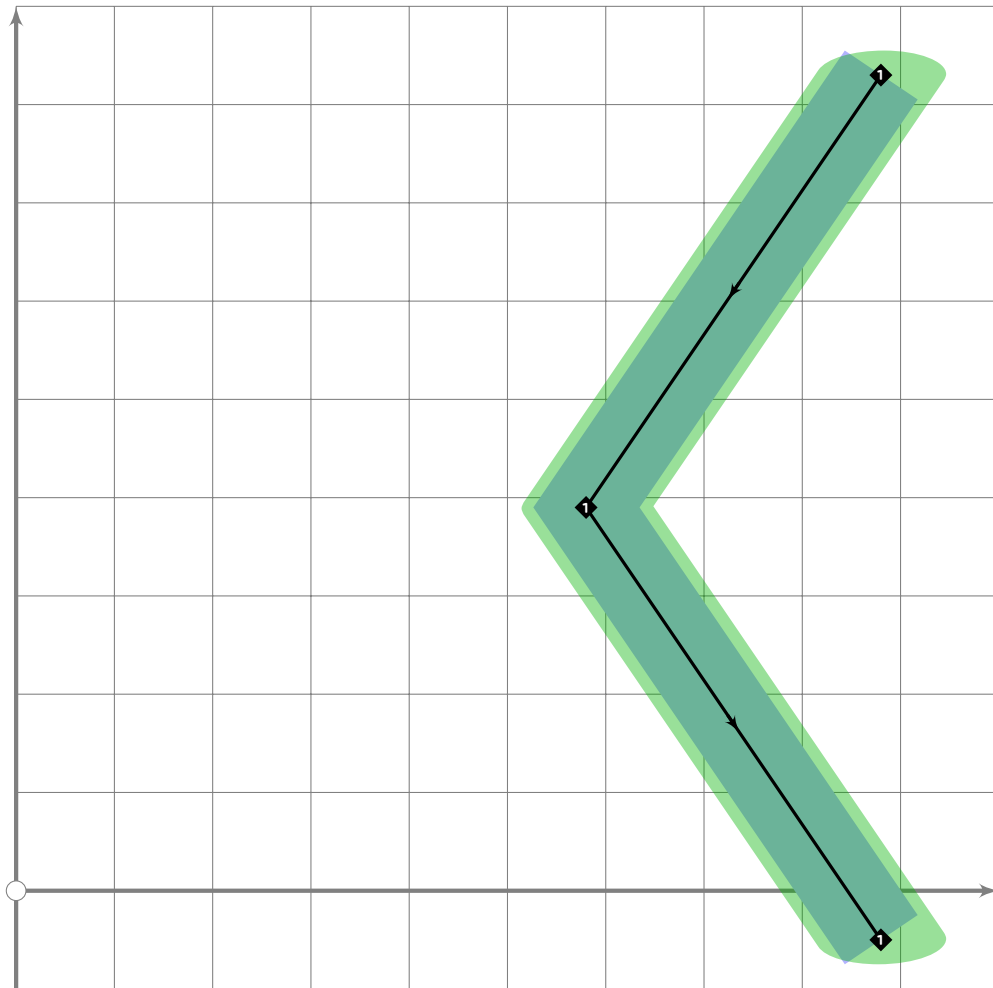
```
56
```



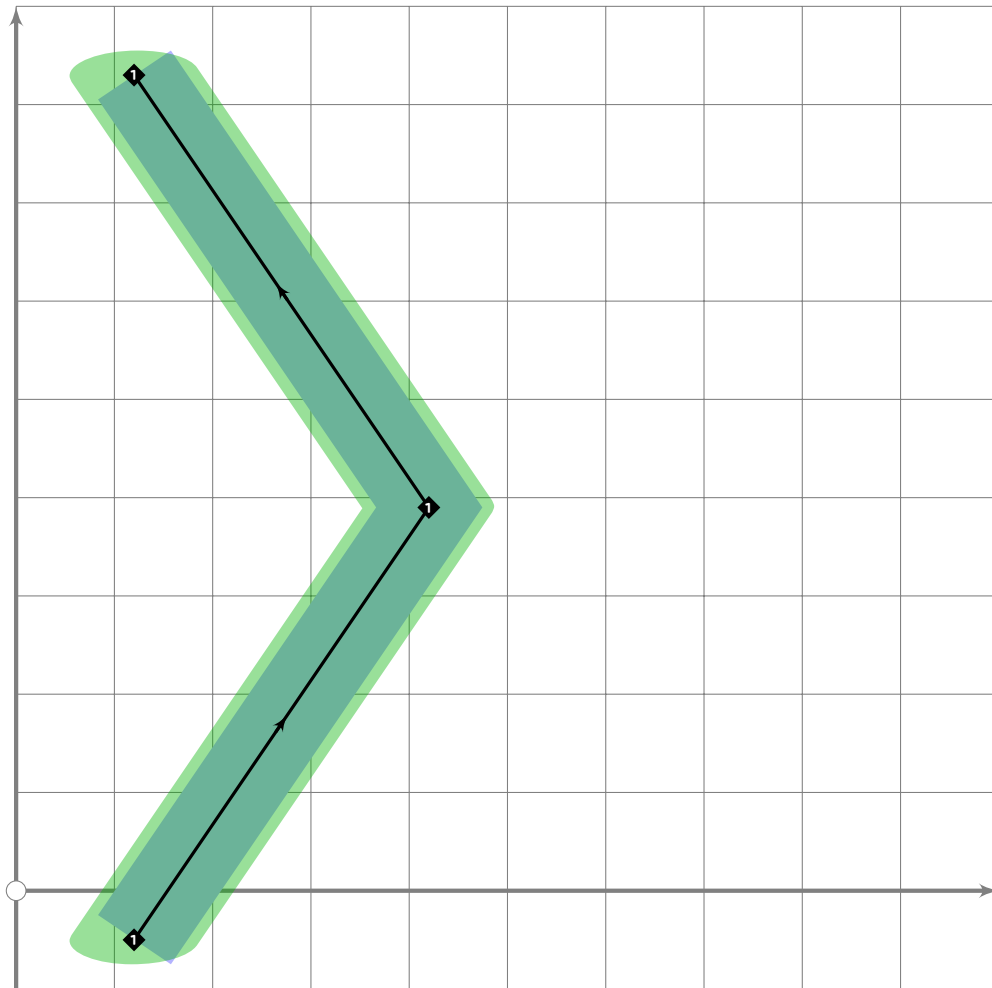
```

57 % kanji zero
58 begintsuglyph("uni3007";7);
59 % letter brush for this so it blends better with other kanji digits;
60 % let's drag the Japanese kicking and screaming into the Sixth Century!
61 bp1:=fullcircle scaled 760 shifted (480,390);
62 bq1:=(1.6,1.6)-(1.6,1.6)-(1.6,1.6)-(1.6,1.6)-cycle;
63 bo_size1:=90;
64 sp:=2;
65 tsu_render;
66 endtsuglyph;
67
68 path bracket[];
69
70 % left and right single angle brackets
71 bracket1:=(880,830)-(580,390)-(880,50);

```



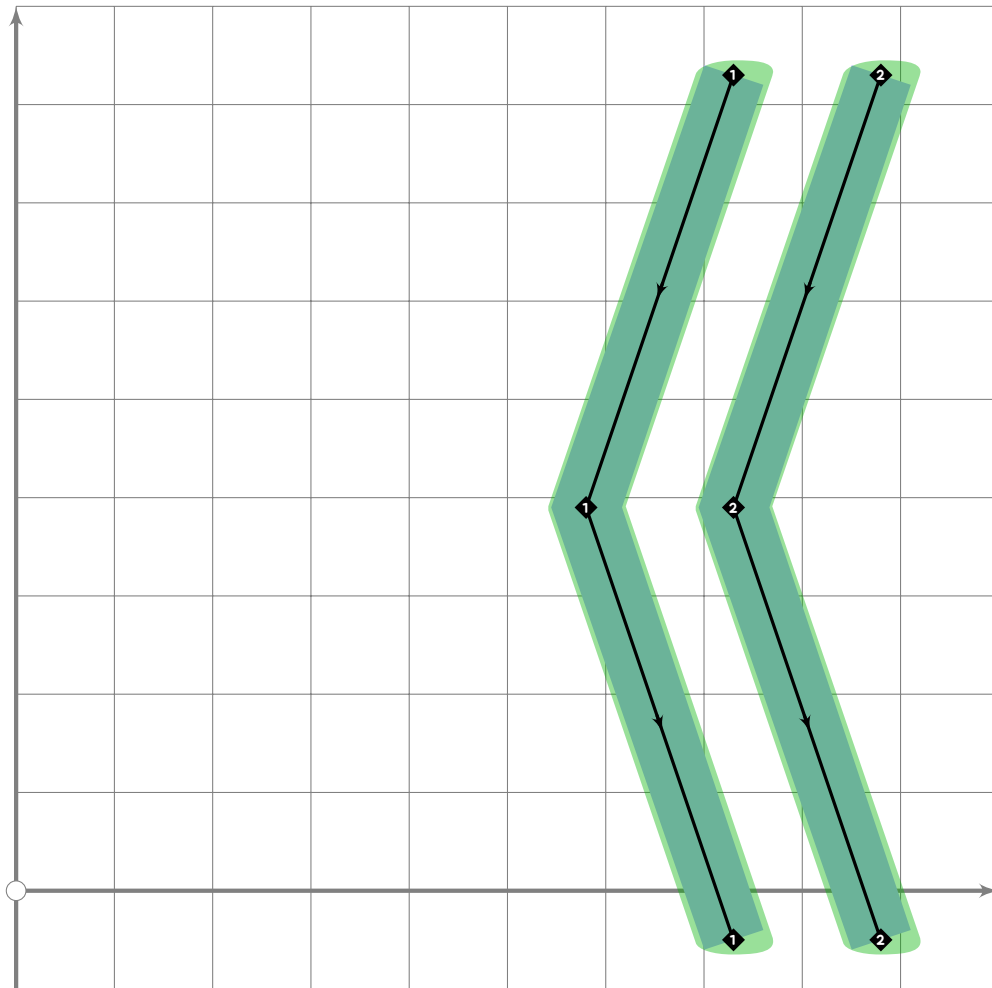
```
72 begintsuglyph("uni3008",8);  
73   bp1=bracket1;  
74   bq1=(2,2)-(2,2)-(2,2);  
75   bo_size1:=120;  
76   bo_tip[1][1]:=1;  
77   sp:=2;  
78   tsu_render;  
79 endtsuglyph;
```

```

80 begintsuglyph("uni3009";9);
81   bp1:=bracket1 rotatedaround (centre_pt,180);
82   bq1:=(2,2)-(2,2)-(2,2);
83   bo_size1:=120;
84   bo_tip[1][1]:=1;
85   sp:=2;
86   tsu_render;
87 endtsuglyph;
88
89 % left and right double angle brackets
90 bracket1:=(880-tsu_punct_size*3/2,830)-(580,390)
91   -(880-tsu_punct_size*3/2,-50);
92 bracket2:=(880,830)-(580*tsu_punct_size*3/2,390)-(880,50);

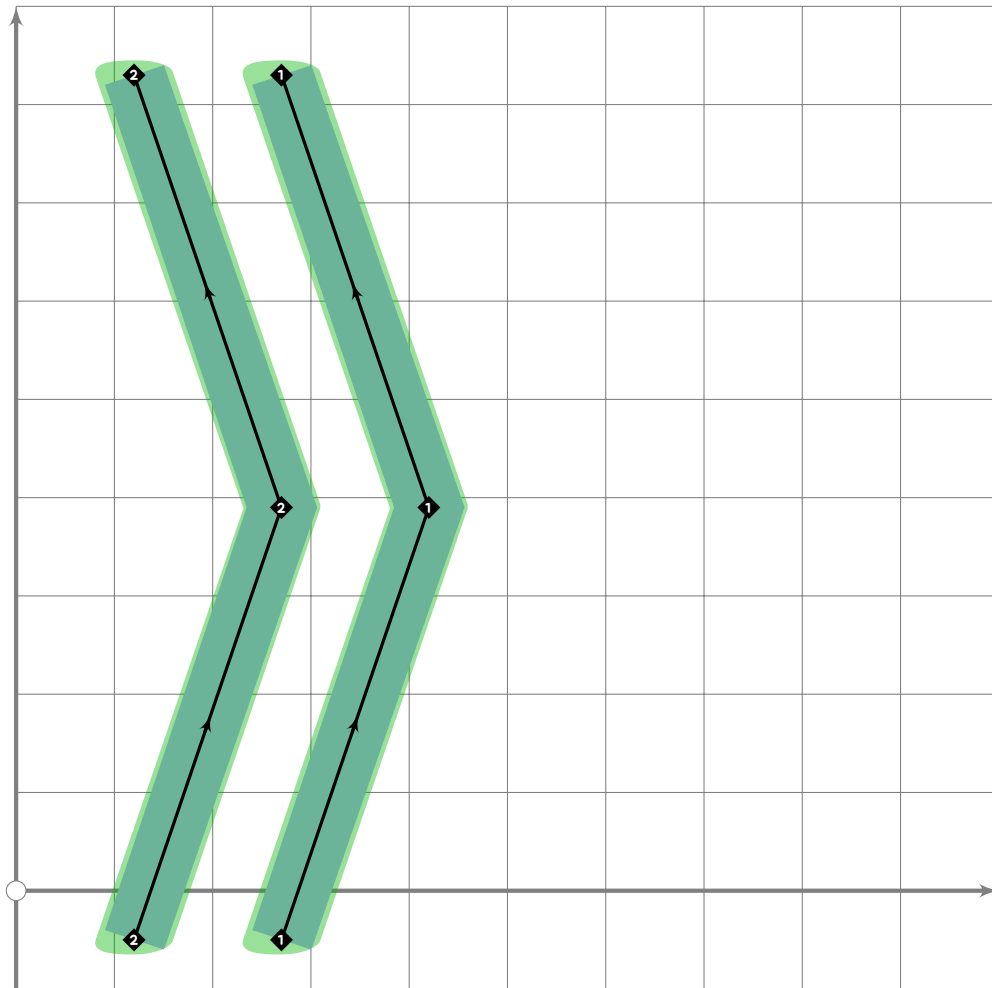
```



```

93 begintsglyph("uni300A";10);
94 bp1:=bracket1;
95 bq1:=(1.7,1.7)-(1.7,1.7)-(1.7,1.7);
96 bo_size1:=90;
97 bo_tip[1][1]:=1;
98
99 bp2:=bracket2;
100 bq2:=(1.7,1.7)-(1.7,1.7)-(1.7,1.7);
101 bo_size2:=90;
102 bo_tip[2][1]:=1;
103
104 sp:=3;
105 tsu_render;
106 endtsuglyph;

```



```

107 begintsuglyph("uni300B";11);
108   bp1:=bracket1 rotatedaround (centre_pt,180);
109   bq1:=(1.7,1.7)-(1.7,1.7)-(1.7,1.7);
110   bo_size1:=90;
111   bo_tip[1][1]:=1;
112
113   bp2:=bracket2 rotatedaround (centre_pt,180);
114   bq2:=(1.7,1.7)-(1.7,1.7)-(1.7,1.7);
115   bo_size2:=90;
116   bo_tip[2][1]:=1;
117
118   sp:=3;
119   tsu_render;
120 endtsuglyph;
121
122 % left and right corner brackets
123 tsu_curve.punct.corner_intro;
124 begintsuglyph("uni300C";12);
125   tsu_curve.punct.corner_left;
126   tsu_render;
127 endtsuglyph;

```

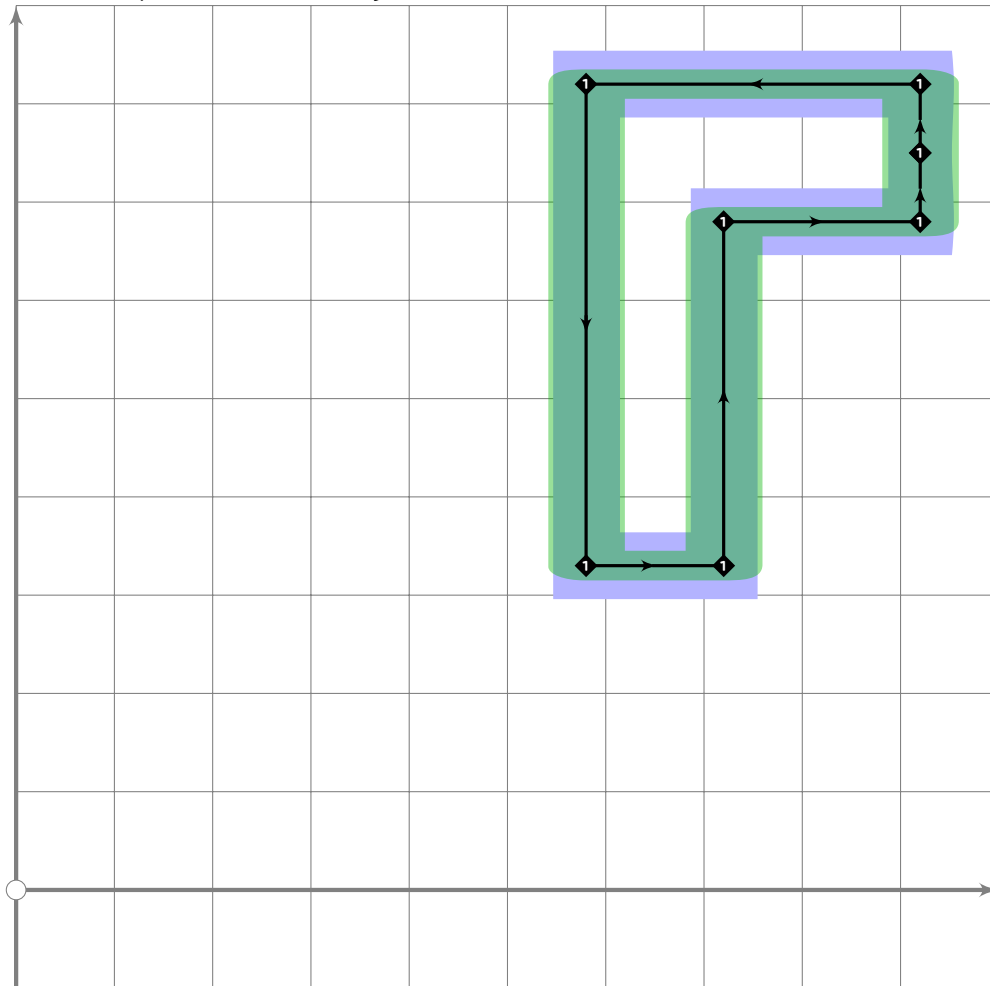
[see page 257]

```

128 begintsuglyph("uni300D";13);
129 tsu_curve.punct.corner_right;
130 tsu_render;
131 endtsuglyph;
132
133 % left and right white corner brackets
134 bracket1=(920,750)-
135 (920,750+tsu_punct_size*0.7)-
136 (650-tsu_punct_size*0.7,750+tsu_punct_size*0.7)-
137 (650-tsu_punct_size*0.7,400-tsu_punct_size*0.7)-
138 (650+tsu_punct_size*0.7,400-tsu_punct_size*0.7)-
139 (650+tsu_punct_size*0.7,750-tsu_punct_size*0.7)-
140 (920,750-tsu_punct_size*0.7)-cycle;

```

[see page 258]

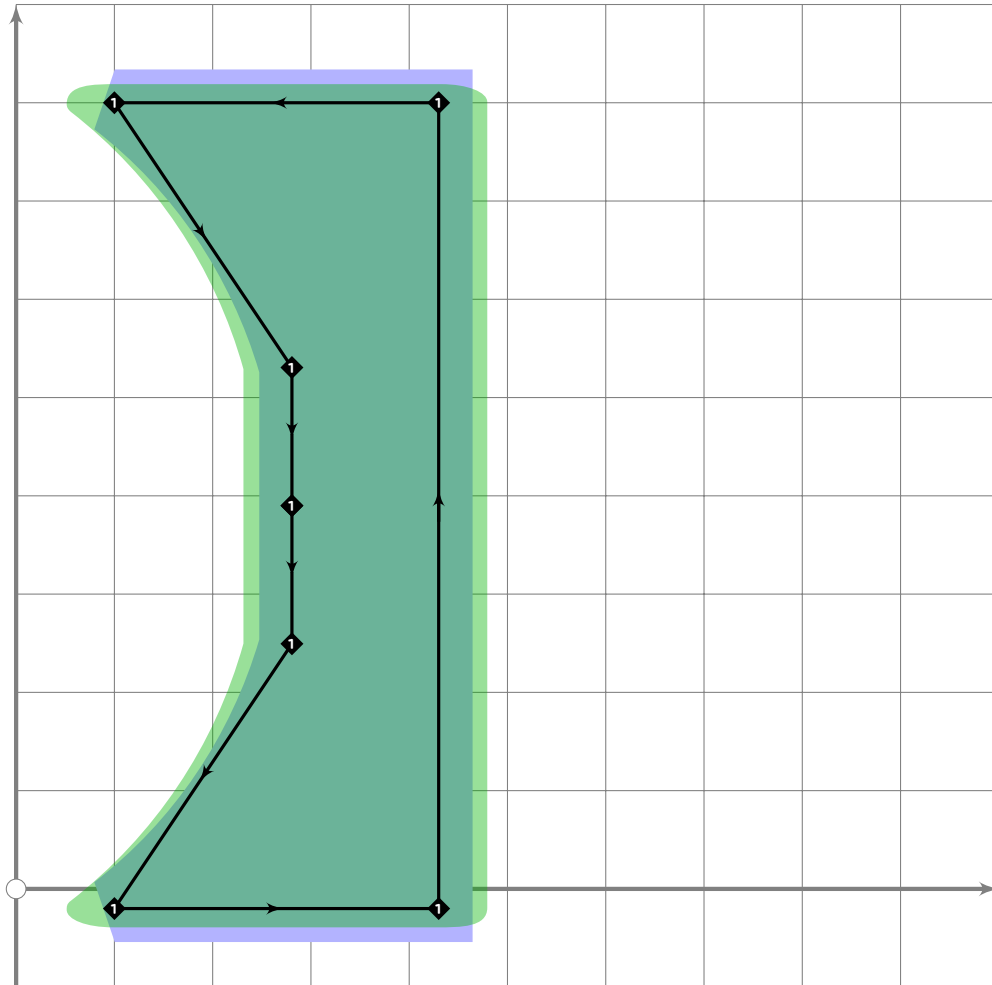


```

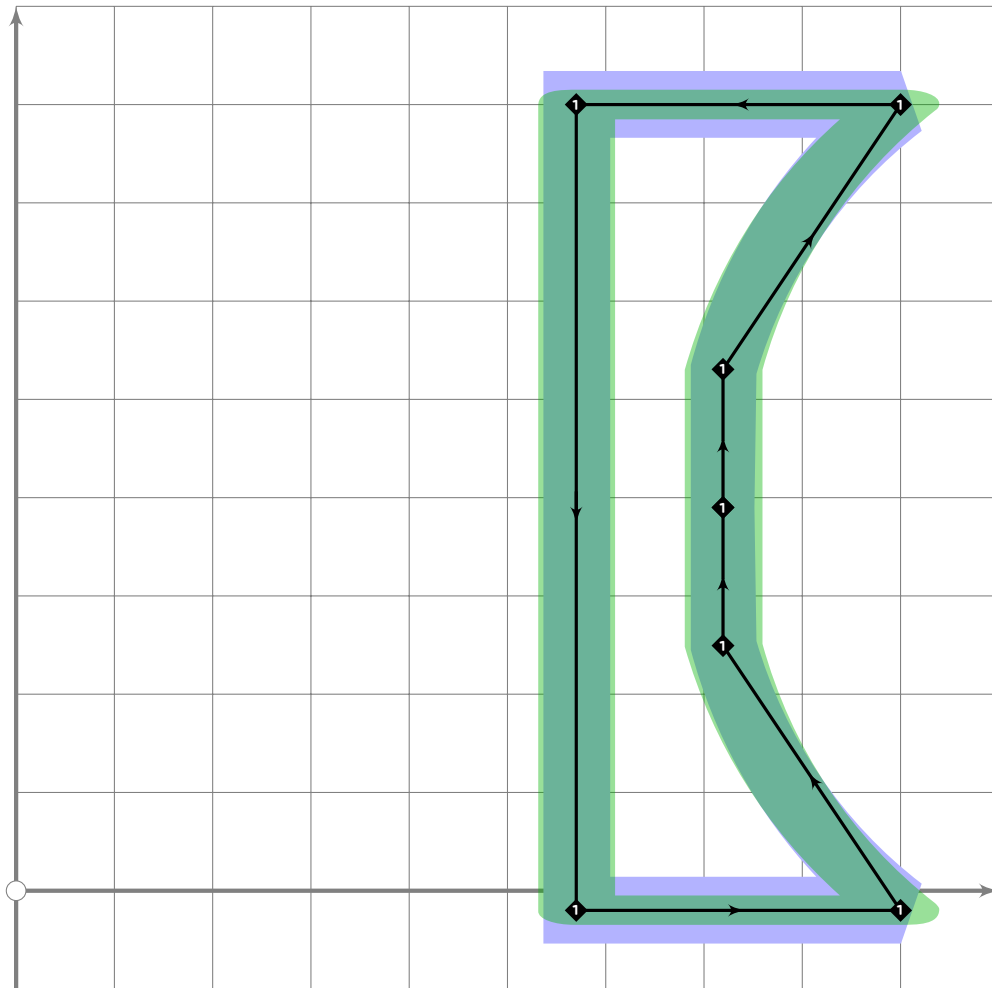
141 begintsuglyph("uni300E";14);
142 bp1:=bracket1;
143 bq1=(1.7,1.7)-(1.7,1.7)-(1.7,1.7)-(1.7,1.7)-(1.7,1.7)-
144 (1.7,1.7)-(1.7,1.7)-cycle;
145 bo_size1:=90;
146 bo_tip[1][1]:=1;
147 bo_tip[1][2]:=1;
148 bo_tip[1][3]:=1;

```


191 endtsuglyph;



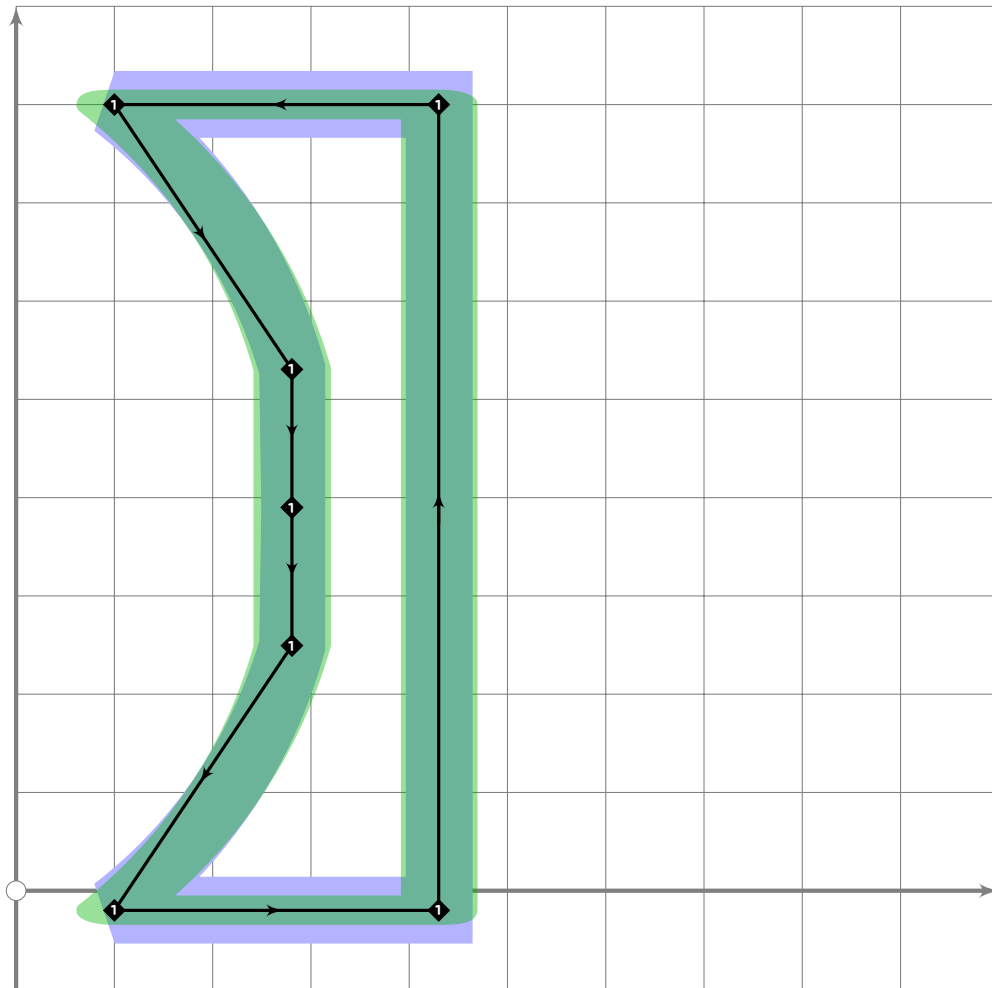
```
192 begint Suglyph("uni3011";17);
193   bp1:=bracket1 rotatedaround (centre_pt,180);
194   bq1:=(2,2)-(2,2)-(2,2)-(2,2)-(2,2)-(2,2)-(2,2)-cycle;
195   bo_size1:=90;
196   bo_tip[1][1]:=1;
197   bo_tip[1][2]:=0;
198   bo_tip[1][3]:=1;
199   bo_tip[1][4]:=1;
200   bo_tip[1][5]:=0;
201   bo_tip[1][6]:=1;
202   sp:=2;
203   tsu_render;
204   dangerousFill bp1;
205 endtsuglyph;
```



```

206 begintsuglyph("uni3016",22);
207   bp1:=bracket1;
208   bq1:=(1.7,1.7)-(1.7,1.7)-(1.7,1.7)-(1.7,1.7)-(1.7,1.7)-
209     (1.7,1.7)-(1.7,1.7)-cycle;
210   bo_size1:=90;
211   bo_tip[1][1]:=1;
212   bo_tip[1][2]:=0;
213   bo_tip[1][3]:=1;
214   bo_tip[1][4]:=1;
215   bo_tip[1][5]:=0;
216   bo_tip[1][6]:=1;
217   sp:=2;
218   tsu_render;
219 endtsuglyph;

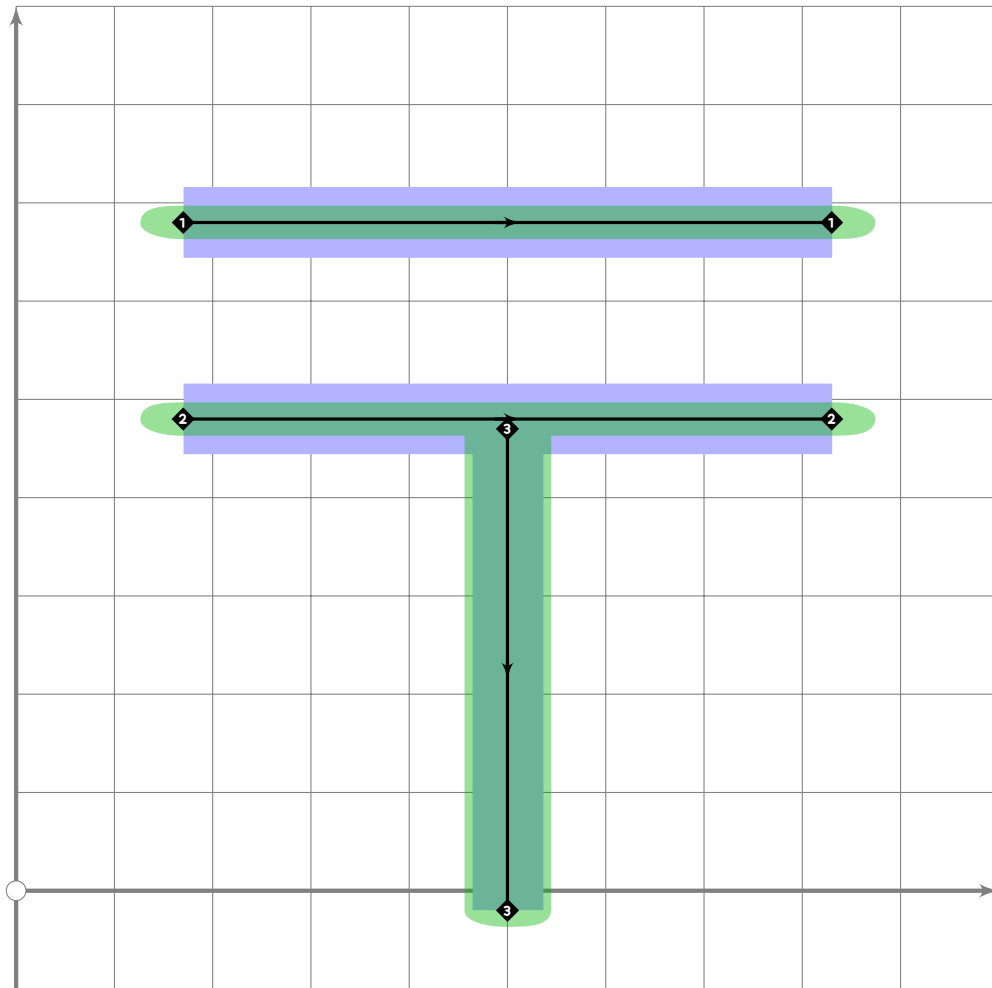
```

```

220 begintsuglyph("uni3017",23);
221   bp1:=bracket1 rotatedaround (centre_pt,180);
222   bq1:=(1.7,1.7)-(1.7,1.7)-(1.7,1.7)-(1.7,1.7)-(1.7,1.7)-
223     (1.7,1.7)-(1.7,1.7)-cycle;
224   bo_size1:=90;
225   bo_tip[1][1]:=1;
226   bo_tip[1][2]:=0;
227   bo_tip[1][3]:=1;
228   bo_tip[1][4]:=1;
229   bo_tip[1][5]:=0;
230   bo_tip[1][6]:=1;
231   sp:=2;
232   tsu_render;
233 endtsuglyph;
234

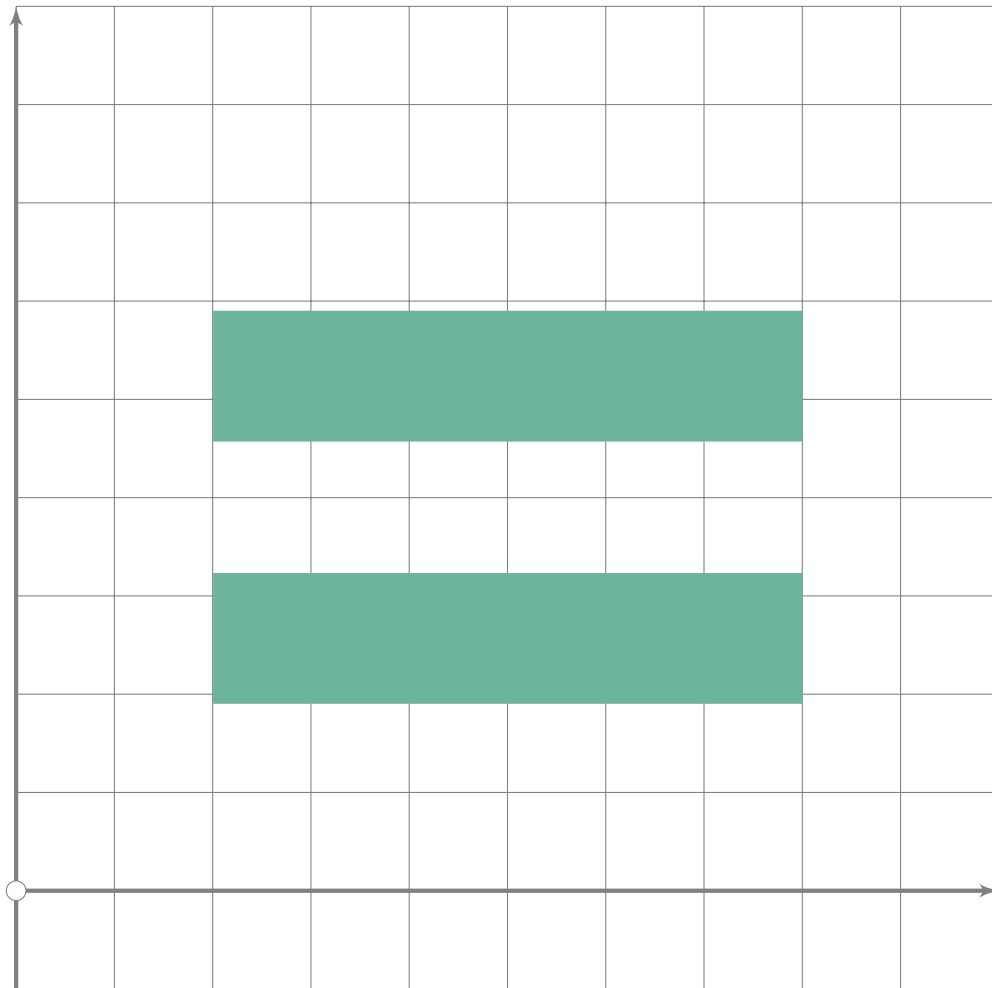
```



```

235 % Japanese postal mark
236 begintsuglyph("uni3012";18);
237   bp1:=(170,680)-(830,680);
238   bq1:=(1.7,1.7)-(1.7,1.7);
239
240   bp2:=(170,680-2*tsu_punct_size)-(830,680-2*tsu_punct_size);
241   bq2:=(1.7,1.7)-(1.7,1.7);
242
243   bp3:=(500,720-2.5*tsu_punct_size)-(500,20);
244   bq3:=(1.7,1.7)-(1.7,1.7);
245
246   sp:=4;
247   tsu_render;
248 endtsuglyph;
249

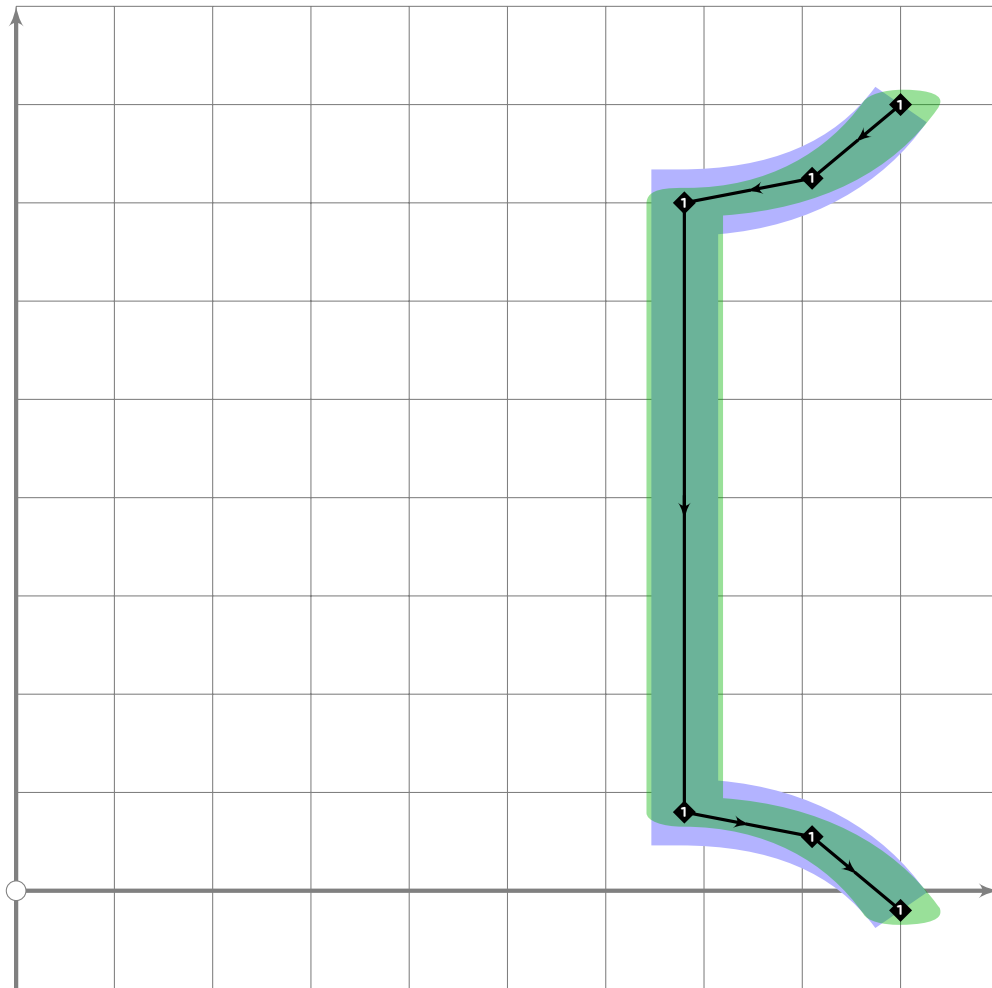
```



```

250 % "geta" or substitute mark
251 begintsuglyph("uni3013";19);
252   x2-x1=6*tsu_punct_size;
253   0.5[x1,x2]=500;
254   y4-y1=4*tsu_punct_size;
255   y2-y1=y3-y2=y4-y3;
256   0.5[y1,y4]=390;
257   bp1=(x1,y4)-(x1,y3)-(x2,y3)-(x2,y4)-cycle;
258   bp2=(x1,y2)-(x1,y1)-(x2,y1)-(x2,y2)-cycle;
259   dangerousFill bp1,bp2;
260 endtsuglyph;
261
262 % left and right plain and white tortoise shell brackets
263 % grouped here, out of Unicode sequence, to share the outline
264 bracket1=(900,800)..
265   (900-tsu_punct_size*0.9,800-tsu_punct_size*3/4)..
266   {left}(900-2.2*tsu_punct_size,800-tsu_punct_size)-
267   (900-2.2*tsu_punct_size,-20*tsu_punct_size){right}..
268   (900-tsu_punct_size*0.9,-20*tsu_punct_size*3/4)..
269   (900,-20);
270 bracket2:=(point 1 of bracket1)-(point 4 of bracket1);

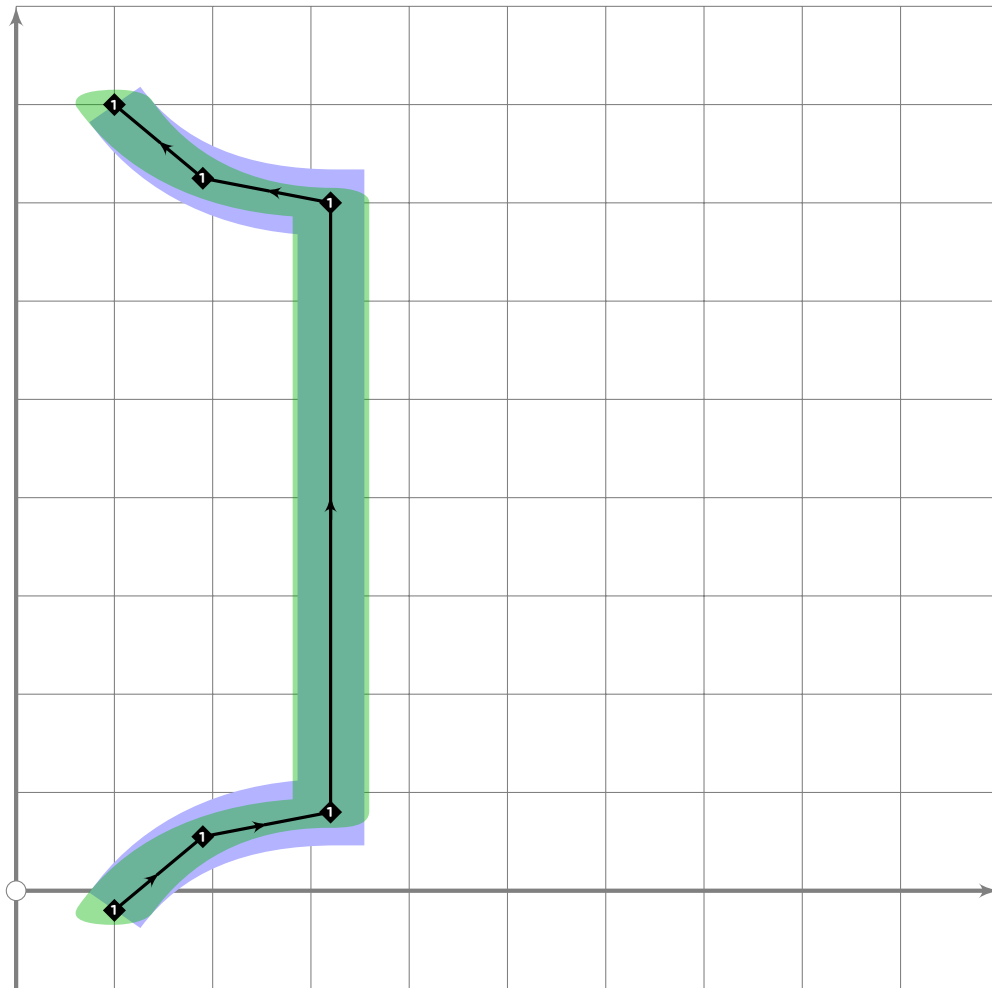
```



```

271 begintsuglyph("uni3014";20);
272   bp1:=bracket1;
273   bq1:=(1.7,1.7)-(1.7,1.7)-(1.7,1.7)-(1.7,1.7)-(1.7,1.7)-(1.7,1.7);
274   bo_size1:=90;
275   bo_tip[1][2]:=1;
276   bo_tip[1][3]:=1;
277   sp:=2;
278   tsu_render;
279 endtsuglyph;

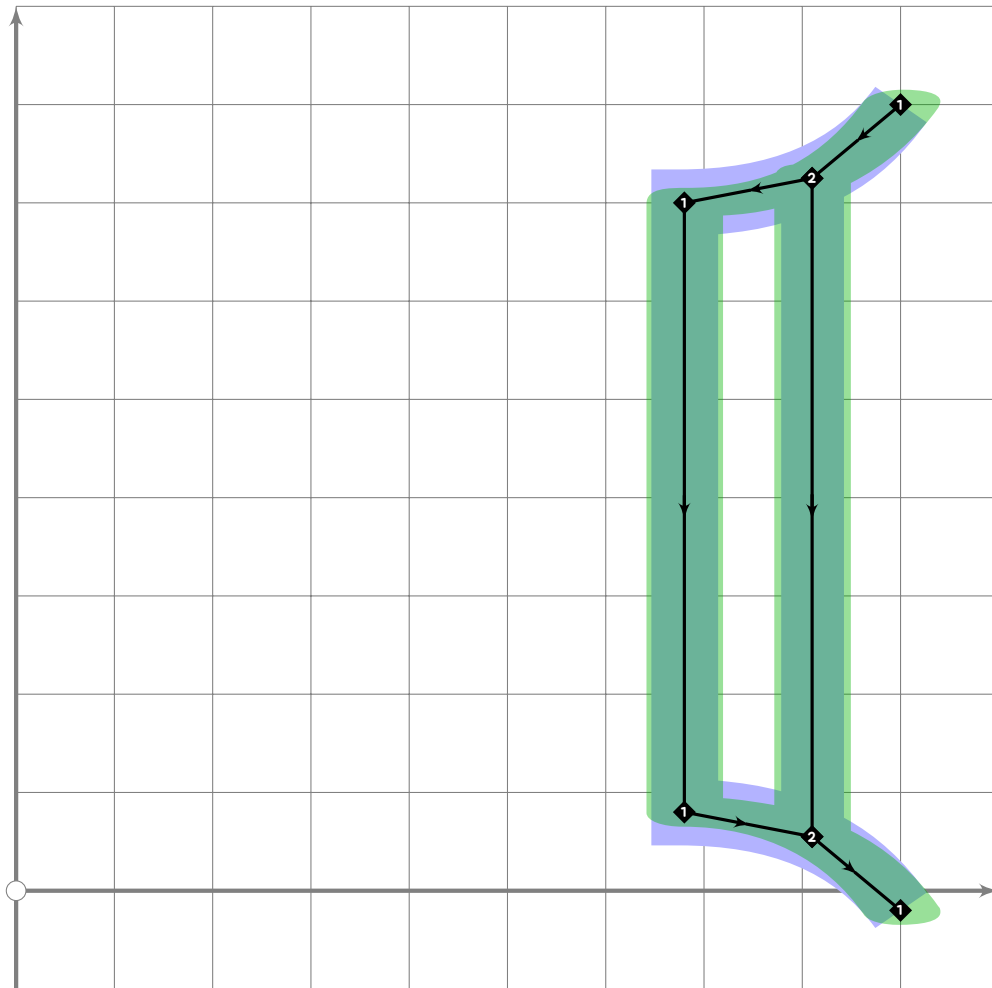
```



```

280 begintsuglyph("uni3015",21);
281   bp1=bracket1 rotatedaround (centre_pt,180);
282   bq1=(1.7,1.7)-(1.7,1.7)-(1.7,1.7)-(1.7,1.7)-(1.7,1.7)-(1.7,1.7);
283   bo_size1:=90;
284   bo_tip[1][2]:=1;
285   bo_tip[1][3]:=1;
286   sp:=2;
287   tsu_render;
288 endtsuglyph;

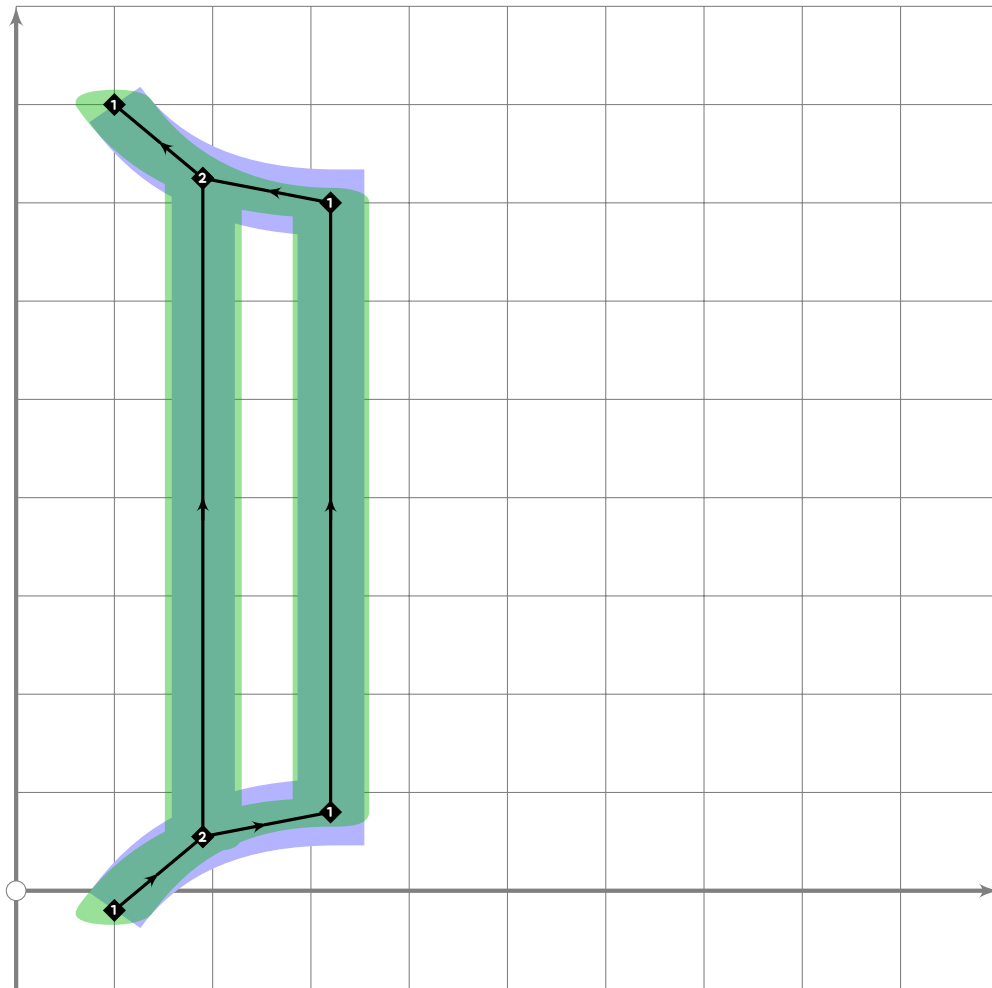
```



```

289 begintsuglyph("uni3018",24);
290   bp1:=bracket1;
291   bq1:=(1.7,1.7)-(1.7,1.7)-(1.7,1.7)-(1.7,1.7)-(1.7,1.7)-(1.7,1.7);
292   bo_size1:=90;
293   bo_tip[1][2]:=1;
294   bo_tip[1][3]:=1;
295   bp2:=bracket2;
296   bq2:=(1.7,1.7)-(1.7,1.7);
297   bo_size2:=90;
298   sp:=3;
299   tsu_render;
300 endtsuglyph;

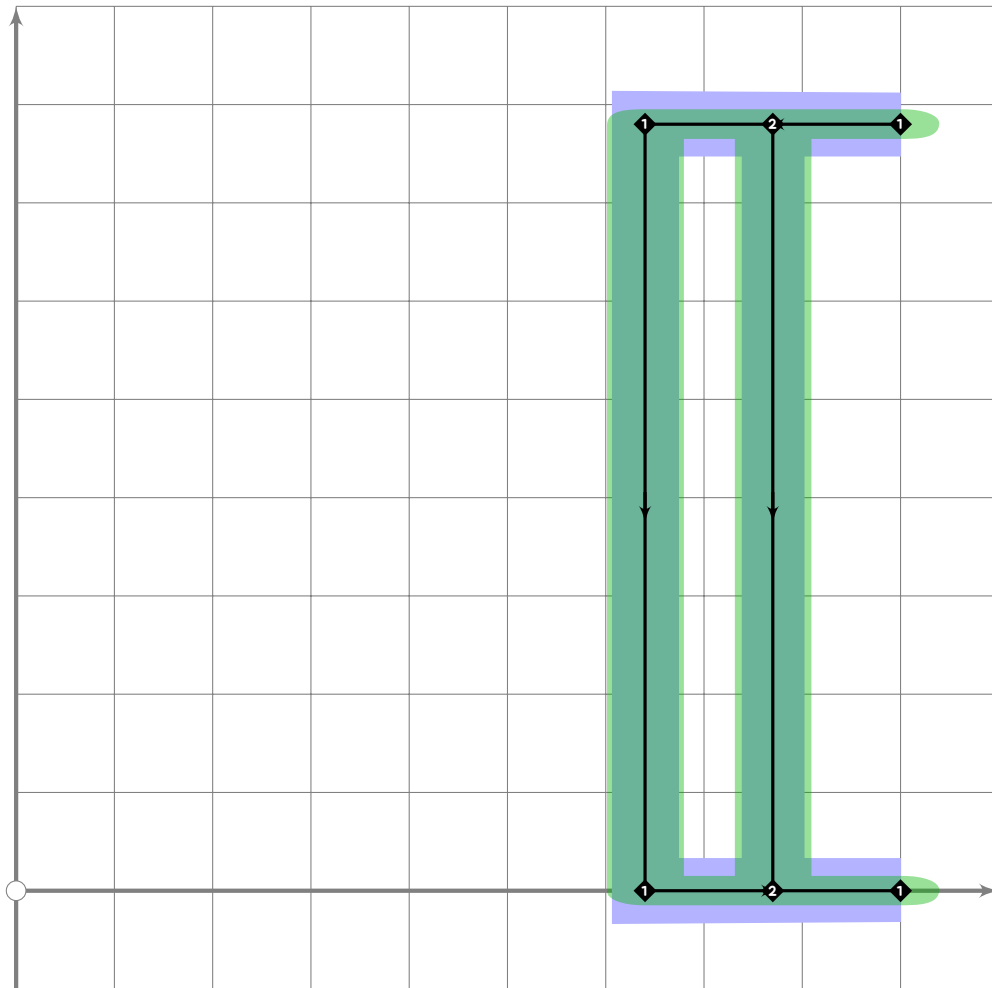
```



```

301 begint Suglyph("uni3019",25);
302 bp1:=bracket1 rotatedaround (centre_pt,180);
303 bq1:=(1.7,1.7)-(1.7,1.7)-(1.7,1.7)-(1.7,1.7)-(1.7,1.7)-(1.7,1.7);
304 bo_size1:=90;
305 bo_tip[1][2]:=1;
306 bo_tip[1][3]:=1;
307 bp2:=bracket2 rotatedaround (centre_pt,180);
308 bq2:=(1.7,1.7)-(1.7,1.7);
309 bo_size2:=90;
310 sp:=3;
311 tsu_render;
312 endtsuglyph;
313
314 % left and right white square brackets
315 bracket1:=(900,780)-
316 (900-2.6*tsu_punct_size,780)-
317 (900-2.6*tsu_punct_size,0)-
318 (900,0);
319 bracket2:=(point 0.5 of bracket1)-(point 2.5 of bracket1);

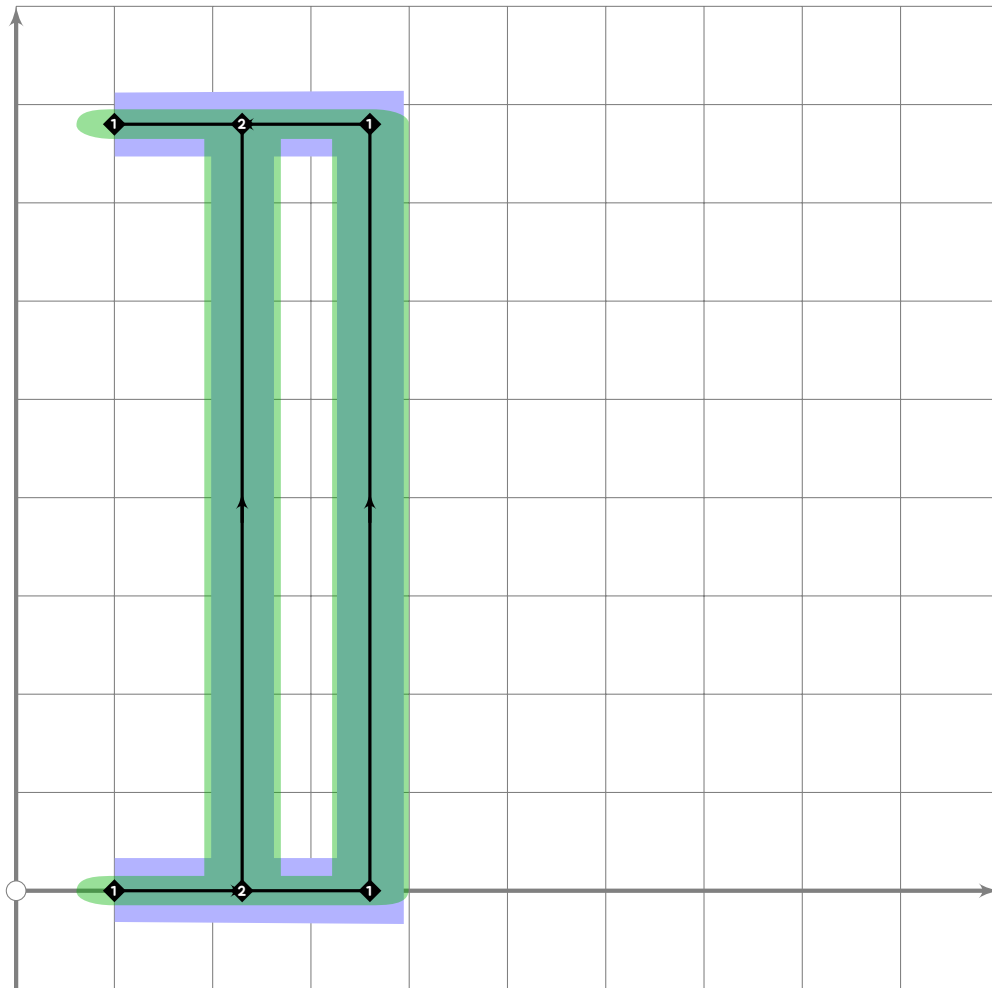
```



```

320 begintsuglyph("uni301A";26);
321   bp1:=bracket1;
322   bq1:=(1.7,1.7)-(1.7,1.7)-(1.7,1.7)-(1.7,1.7);
323   bo_size1:=90;
324   bo_tip[1][1]:=1;
325   bo_tip[1][2]:=1;
326   bp2:=bracket2;
327   bq2:=(1.7,1.7)-(1.7,1.7);
328   bo_size2:=90;
329   sp:=3;
330   tsu_render;
331 endtsuglyph;

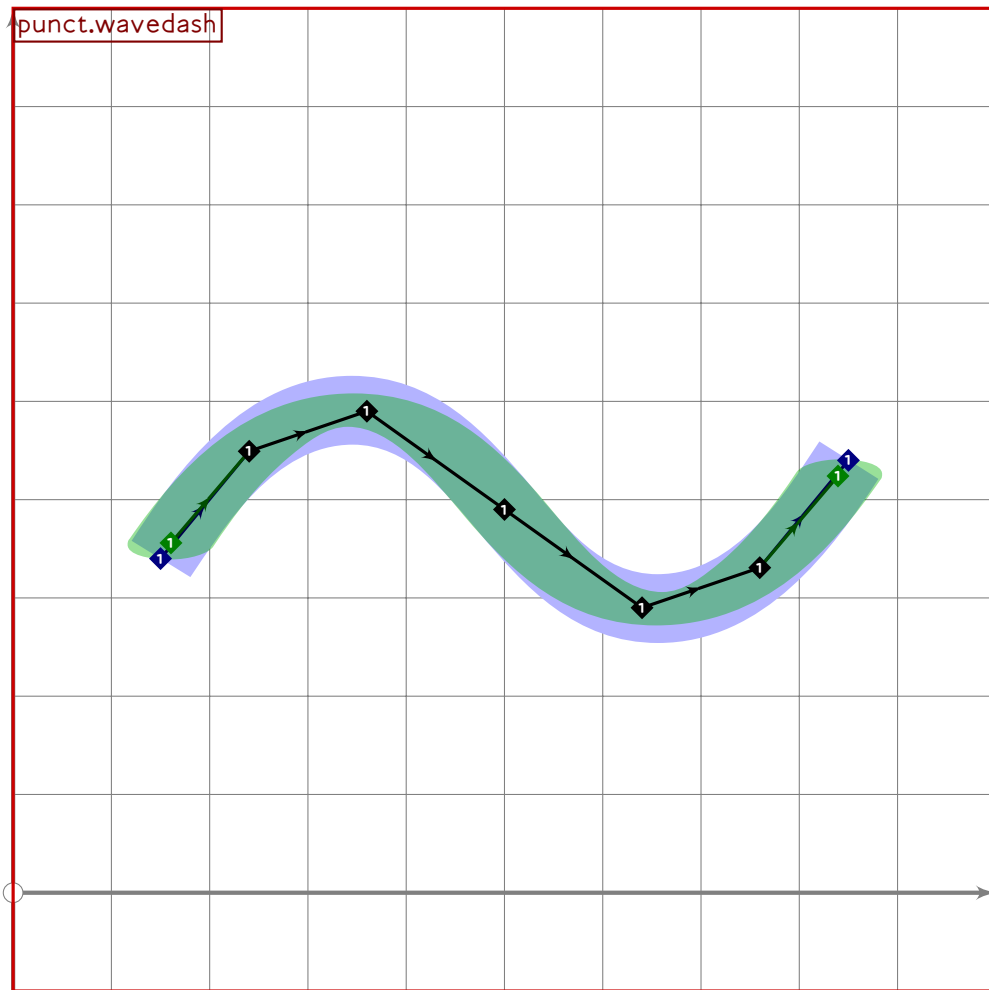
```

```

332 begintsuglyph("uni301B",27);
333   bp1:=bracket1 rotatedaround (centre_pt,180);
334   bq1:=(1.7,1.7)-(1.7,1.7)-(1.7,1.7)-(1.7,1.7);
335   bo_size1:=90;
336   bo_tip[1][1]:=1;
337   bo_tip[1][2]:=1;
338   bp2:=bracket2 rotatedaround (centre_pt,180);
339   bq2:=(1.7,1.7)-(1.7,1.7);
340   bo_size2:=90;
341   sp:=3;
342   tsu_render;
343 endtsuglyph;
344

```



```

345 % "wave dash"
346 begintsuglyph("uni301C";28);
347   tsu_curve.punct.wavedash;
348   bo_serif.a0:=5;
349   bo_serif.a6:=8;
350   tsu_render;
351 endtsuglyph;
352
353
354

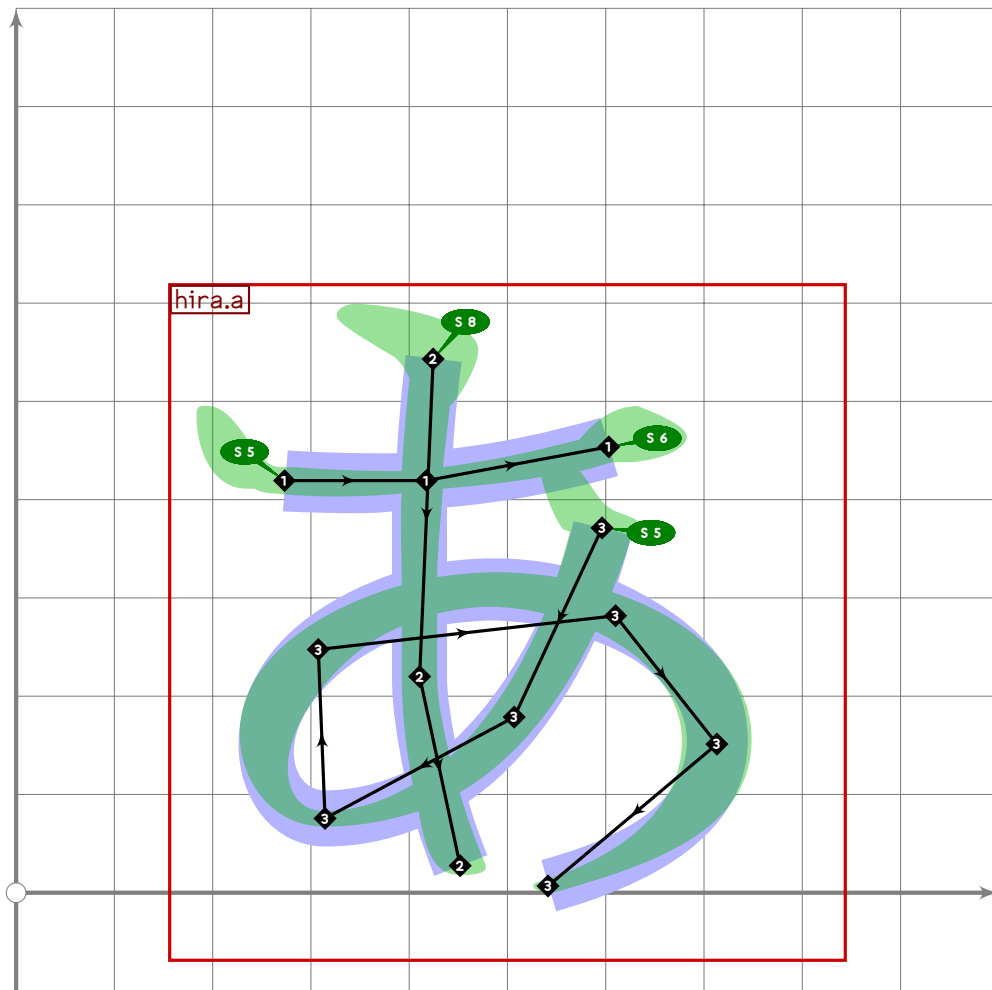
```

Hiragana

```

355 % HIRAGANA
356

```

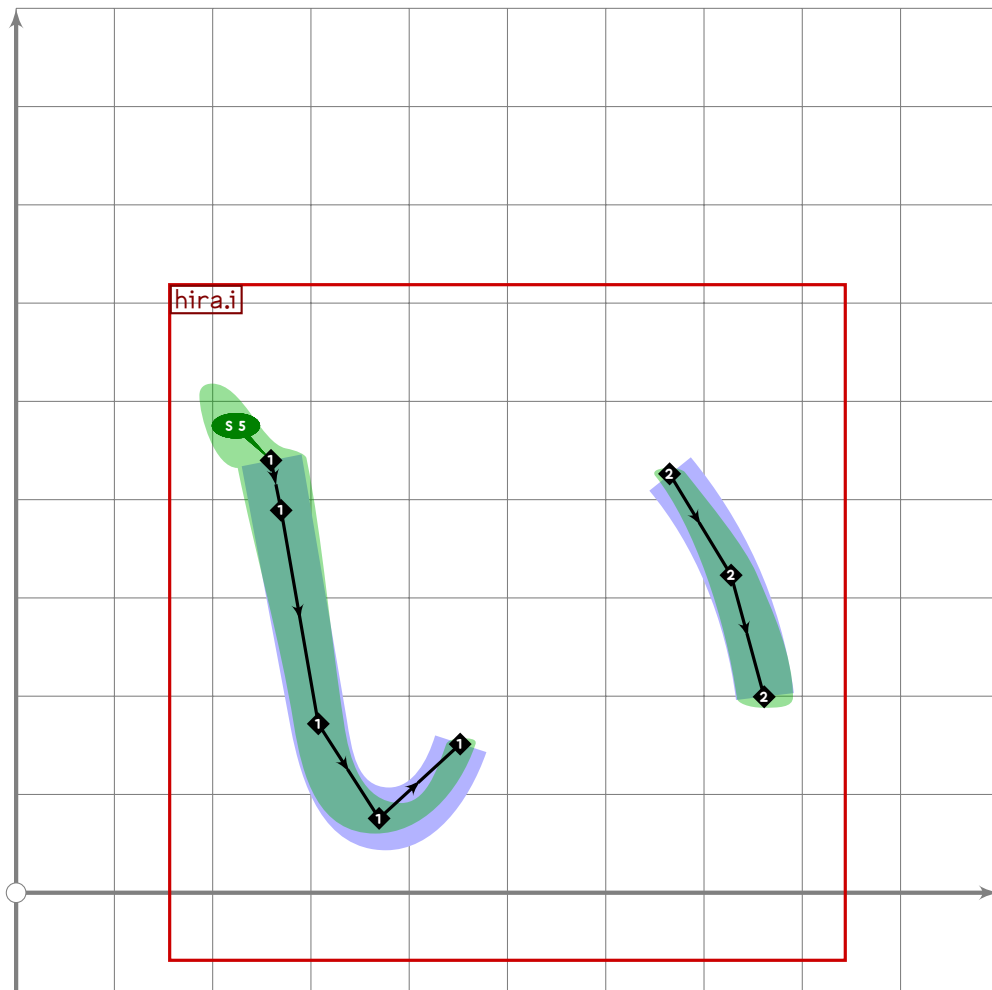


```

357 % hiragana "small a"
358 begint Suglyph("uni3041",65);
359 tsu_xform(tsu_xf.smallkana)(tsu_curve.hira.a);
360 tsu_render;
361 endtsuglyph;
362
363 % hiragana "a"
364 begint Suglyph("uni3042",66);
365 tsu_curve.hira.a;
366 tsu_render;
367 endtsuglyph;
368

```

[see page 43]

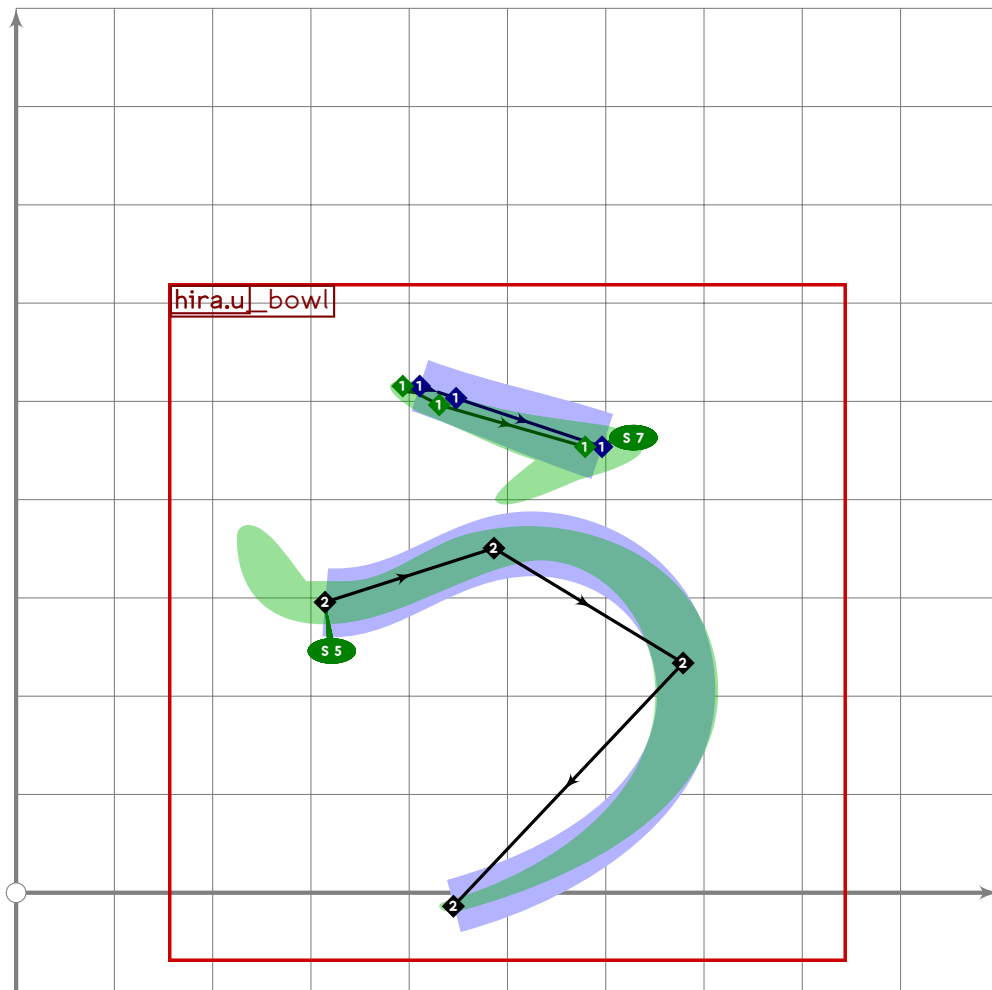


```

369 % hiragana "small i"
370 begint Suglyph("uni3043",67);
371 tsu_xform(tsu_xf.smallkana)(tsu_curve.hira.i);
372 tsu_render;
373 endtsuglyph;
374
375 % hiragana "i"
376 begint Suglyph("uni3044",68);
377 tsu_curve.hira.i;
378 tsu_render;
379 endtsuglyph;
380

```

[see page 44]

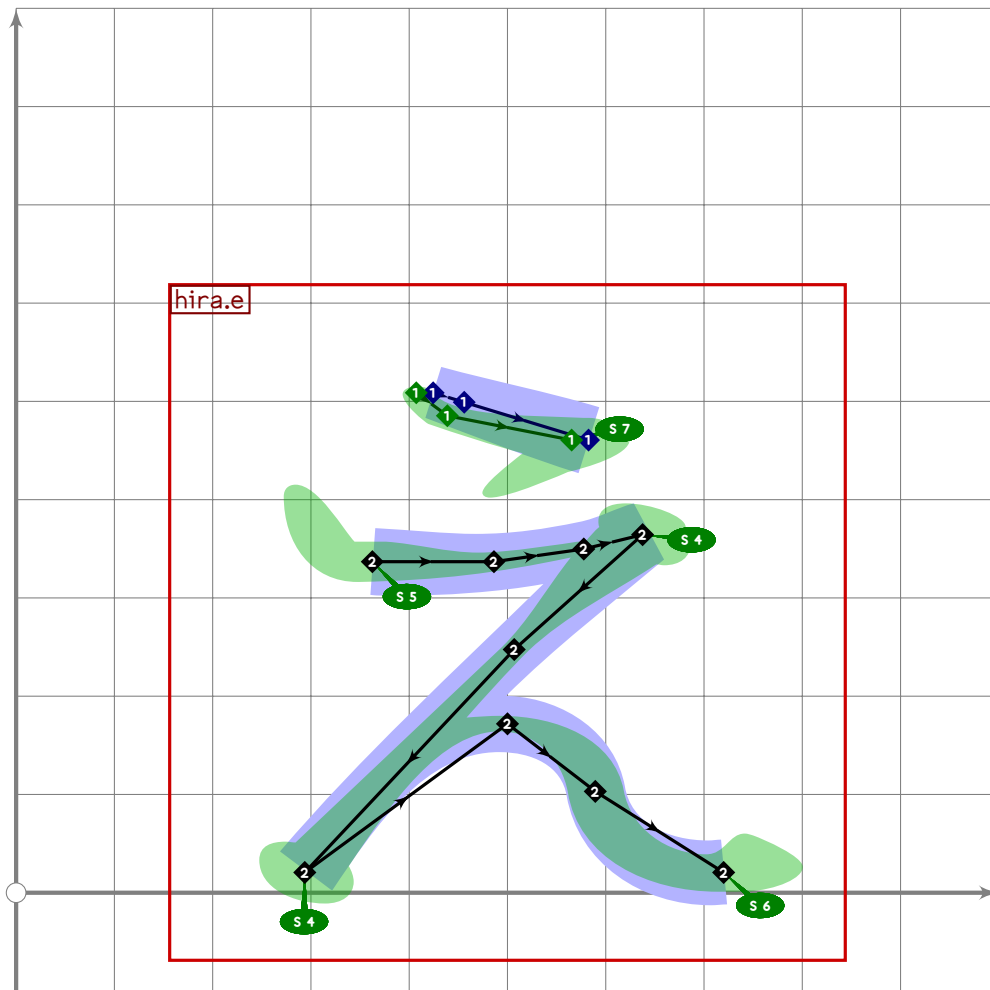


```

381 % hiragana "small u"
382 begint Suglyph("uni3045",69);
383 tsu_xform(tsu_xf.smallkana)(tsu_curve.hira.u);
384 tsu_render;
385 endtsuglyph;
386
387 % hiragana "u"
388 begint Suglyph("uni3046",70);
389 tsu_curve.hira.u;
390 tsu_render;
391 endtsuglyph;
392

```

[see page 45]

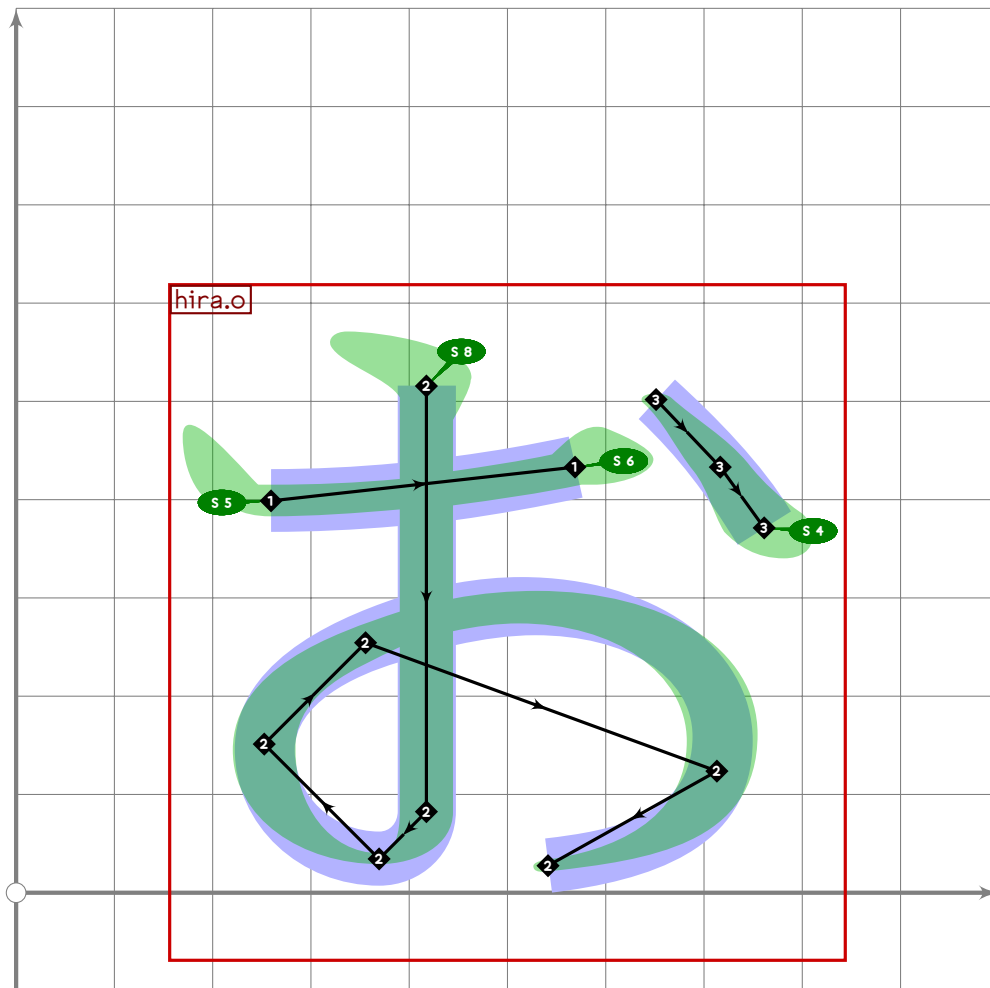


```

393 % hiragana "small e"
394 begintuglyph("uni3047";71);
395   tsu_xform(tsu_xf.smallkana)(tsu_curve.hira.e);
396   tsu_render;
397 endtuglyph;
398
399 % hiragana "e"
400 begintuglyph("uni3048";72);
401   tsu_curve.hira.e;
402   tsu_render;
403 endtuglyph;
404

```

[see page 46]



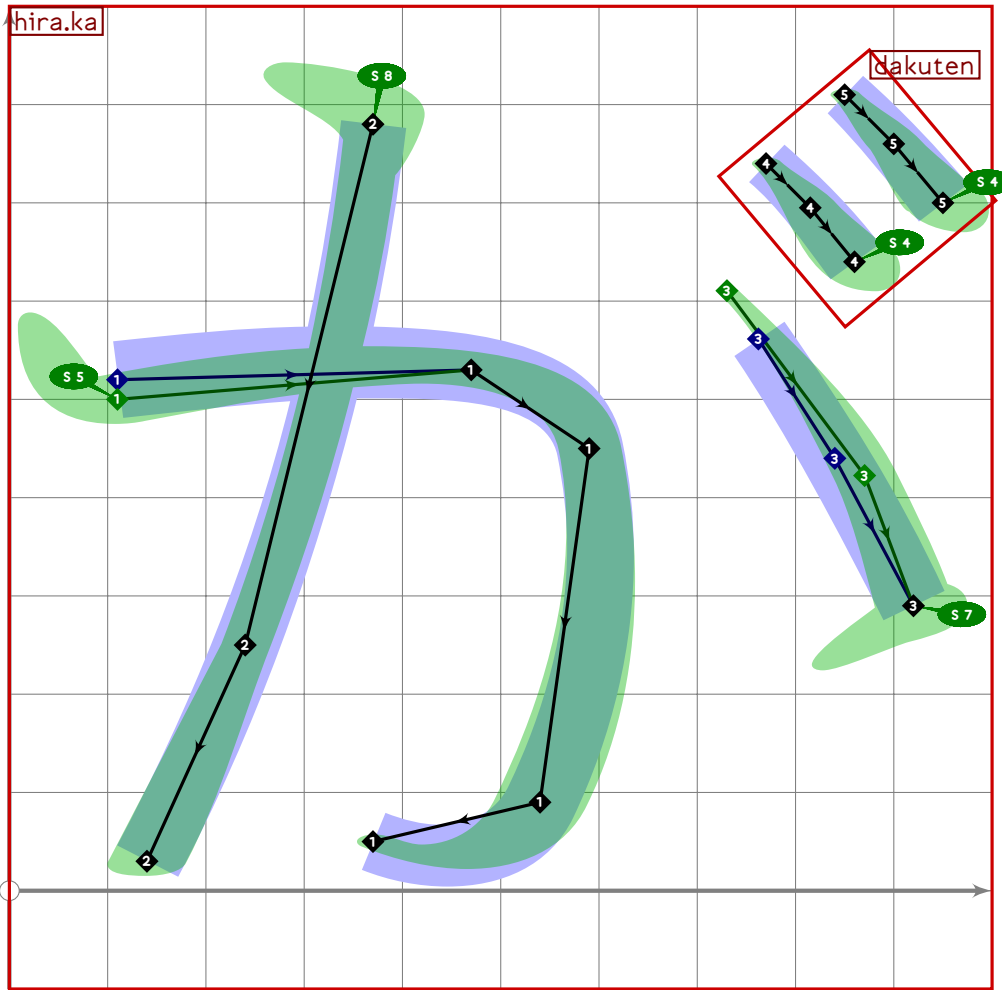
```

405 % hiragana "small o"
406 begintsuglyph("uni3049";73);
407 tsu_xform(tsu_xf.smallkana)(tsu_curve.hira.o);
408 tsu_render;
409 endtsuglyph;
410
411 % hiragana "o"
412 begintsuglyph("uni304A";74);
413 tsu_curve.hira.o;
414 tsu_render;
415 endtsuglyph;
416
417 % hiragana "ka"
418 begintsuglyph("uni304B";75);
419 tsu_curve.hira.ka;
420 tsu_render;
421 endtsuglyph;
422

```

[see page 47]

[see page 48]

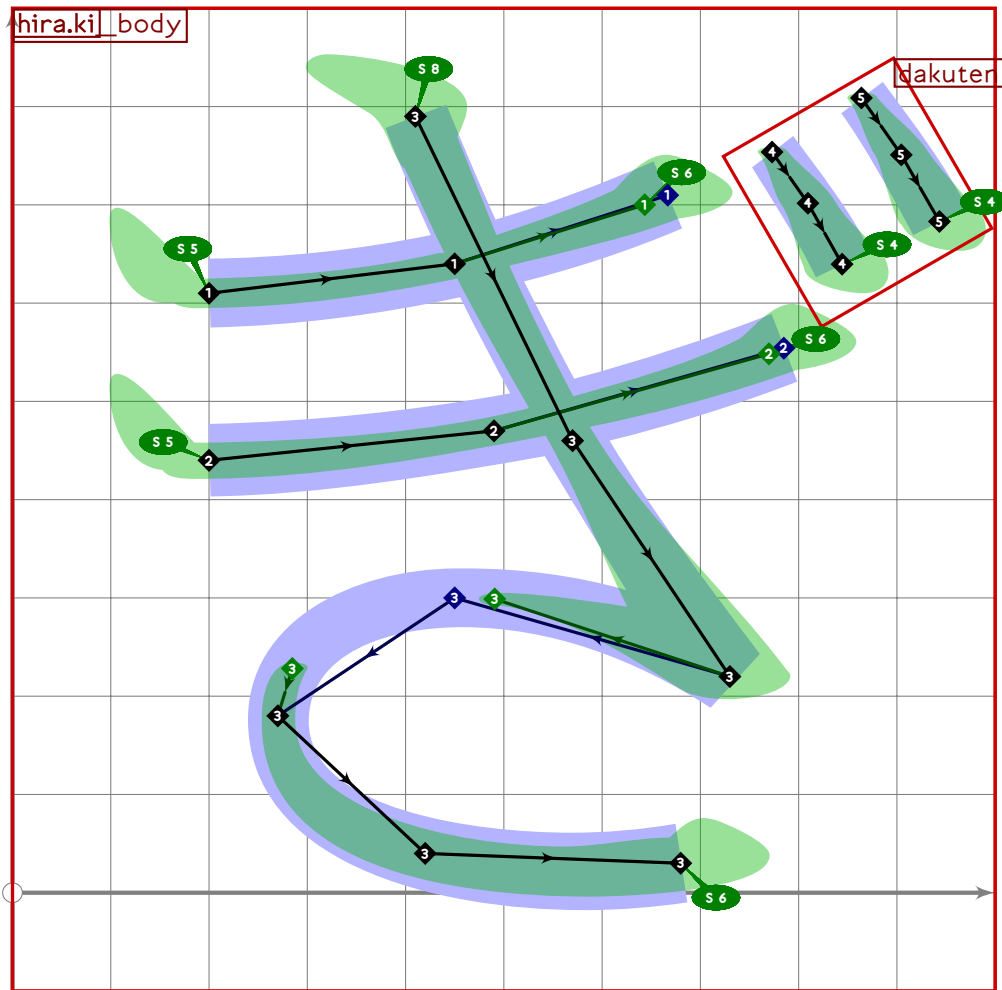


```

423 % hiragana "ga"
424 begint Suglyph("uni304C";76);
425   tsu_curve.hira.ka;
426   tsu_curve.dakuten(identity shifted (850,730));
427   tsu_render;
428 endsuglyph;
429
430 % hiragana "ki"
431 begint Suglyph("uni304D";77);
432   tsu_curve.hira.ki;
433   tsu_render;
434 endsuglyph;
435

```

[see page 49]

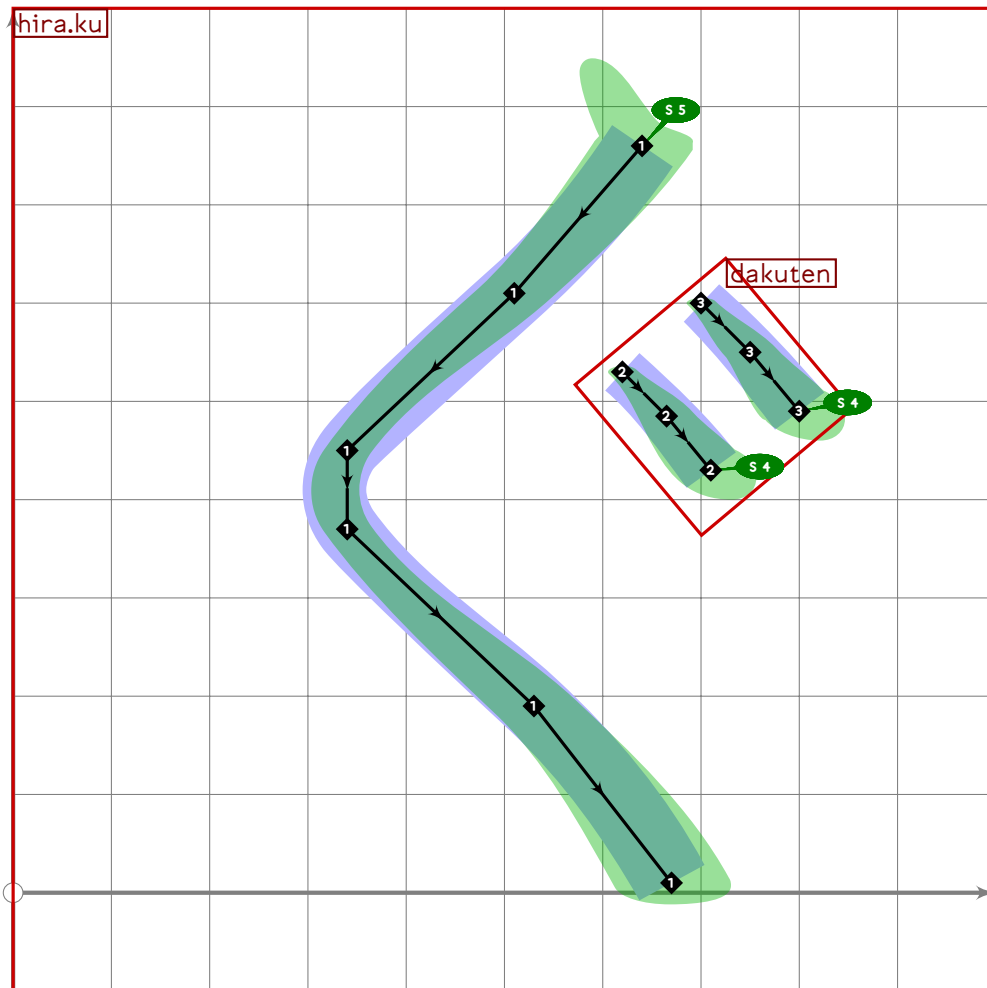


```

436 % hiragana "gi"
437 beginsuglyph("uni304E";78);
438 tsu_curve.hira.ki;
439 bp1:=subpath (0,1,9-0.1*mincho) of bp1;
440 bp2:=subpath (0,1,95-0.05*mincho) of bp2;
441 tsu_curve.dakuten(identity rotated -10 shifted (850,730));
442 tsu_render;
443 endsuglyph;
444
445 % hiragana "ku"
446 beginsuglyph("uni304F";79);
447 tsu_curve.hira.ku;
448 tsu_render;
449 endsuglyph;
450

```

[see page 50]

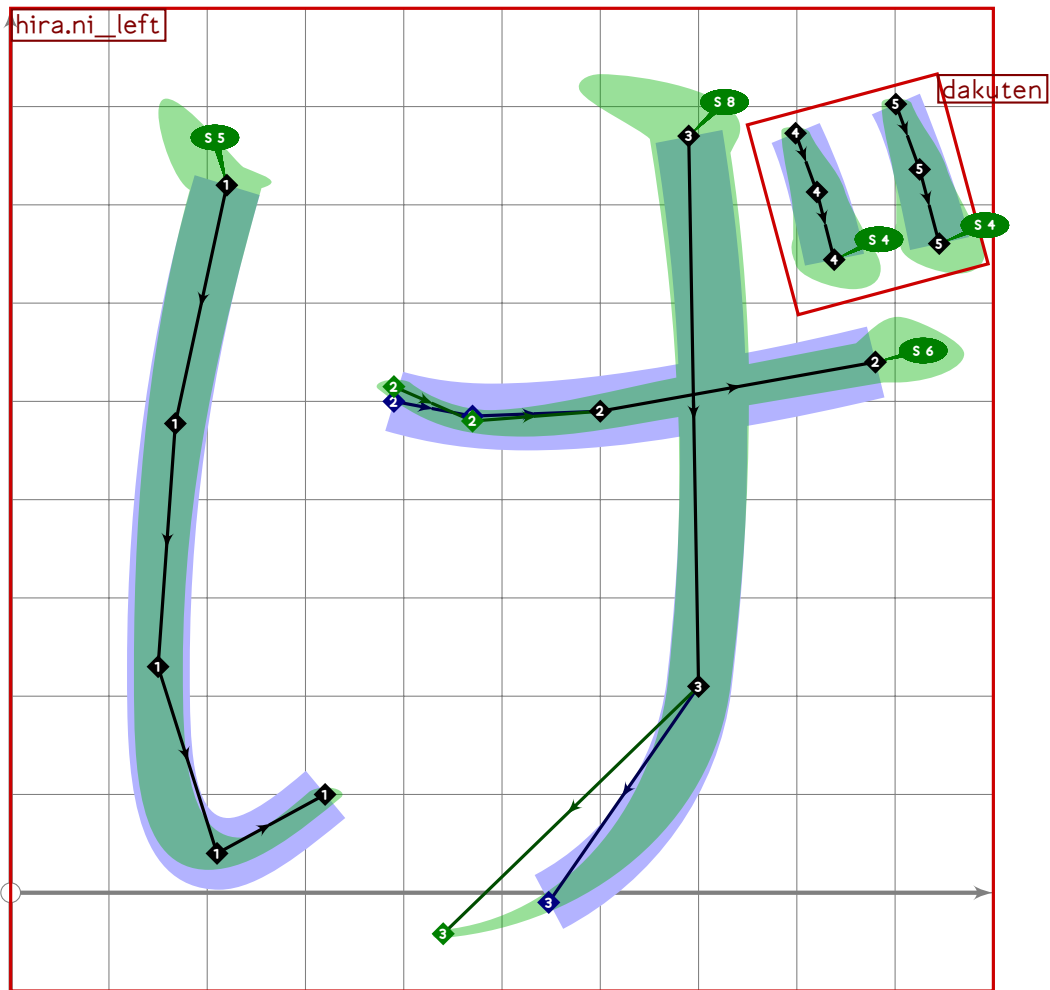


```

451 % hiragana "gu"
452 begint Suglyph("uni3050";80);
453   tsu_curve.hira.ku;
454   tsu_curve.dakuten(identity shifted (700,520));
455   tsu_render;
456 endsuglyph;
457
458 % hiragana "ke"
459 begint Suglyph("uni3051";81);
460   tsu_curve.hira.ke;
461   tsu_render;
462 endsuglyph;
463

```

[see page 51]

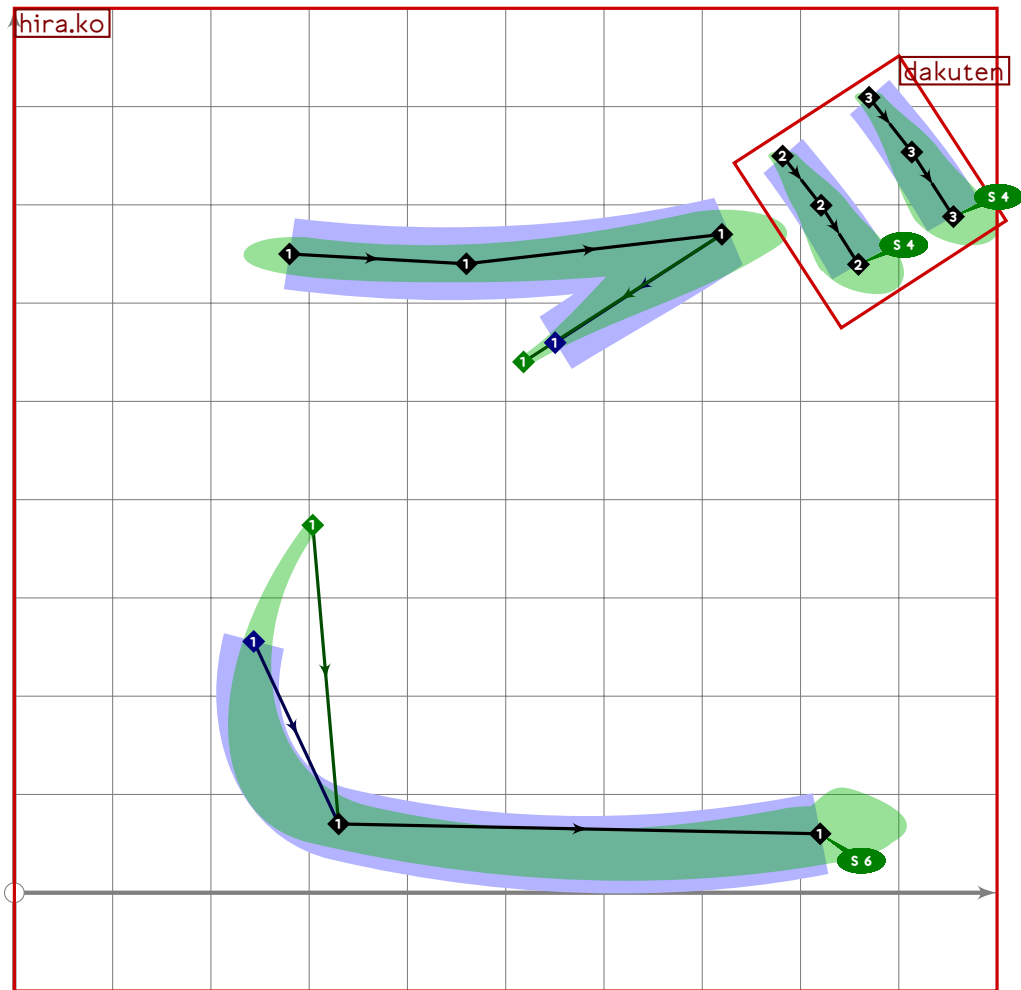


```

464 % hiragana "ge"
465 begint Suglyph("uni3052";82);
466 tsu_curve.hira.ke;
467 tsu_curve.dakuten(identity rotated -25 shifted (867,730));
468 tsu_render;
469 endtsuglyph;
470
471 % hiragana "ko"
472 begint Suglyph("uni3053";83);
473 tsu_curve.hira.ko;
474 tsu_render;
475 endtsuglyph;
476

```

[see page 52]

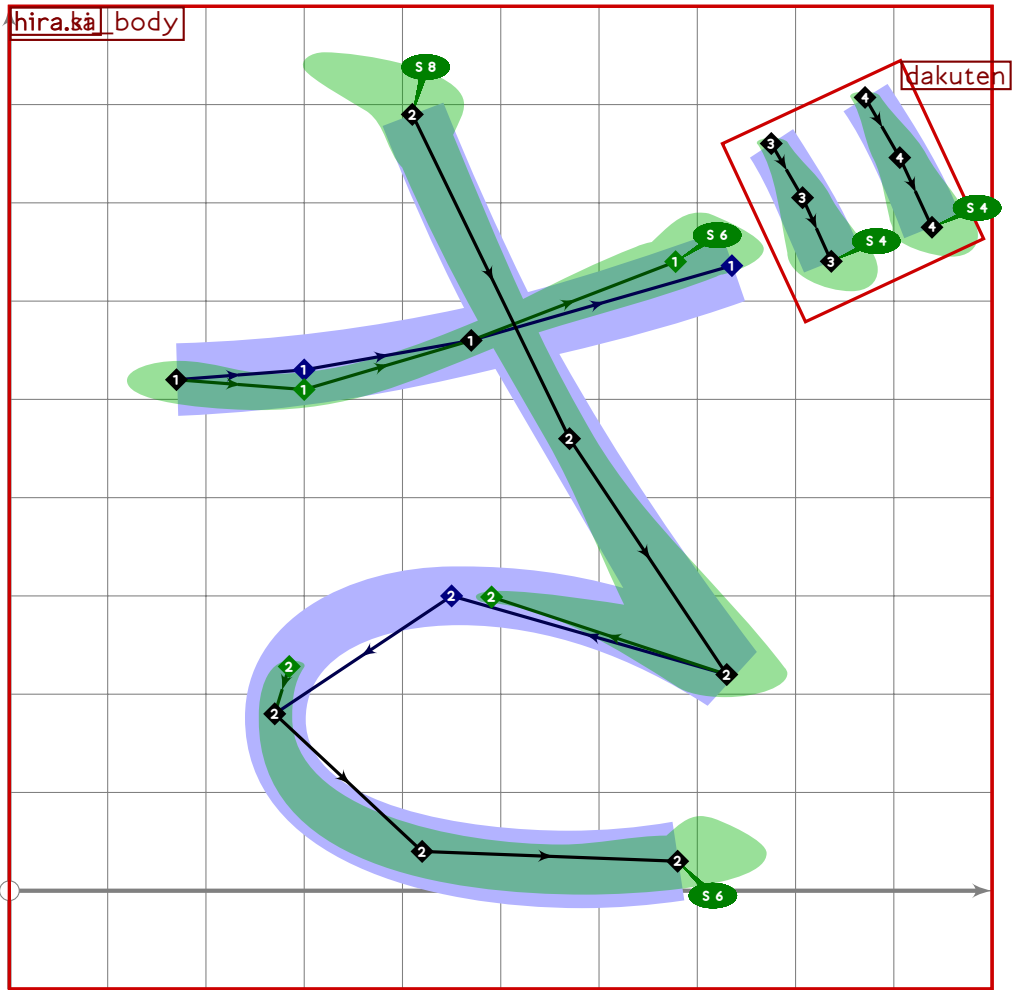


```

477 % hiragana "go"
478 begint Suglyph("uni3054";84);
479 tsu_curve.hira.go;
480 tsu_curve.dakuten(identity rotated -7 shifted (860,730));
481 tsu_render;
482 endtsuglyph;
483
484 % hiragana "sa"
485 begint Suglyph("uni3055";85);
486 tsu_curve.hira.sa;
487 tsu_render;
488 endtsuglyph;
489

```

[see page 53]

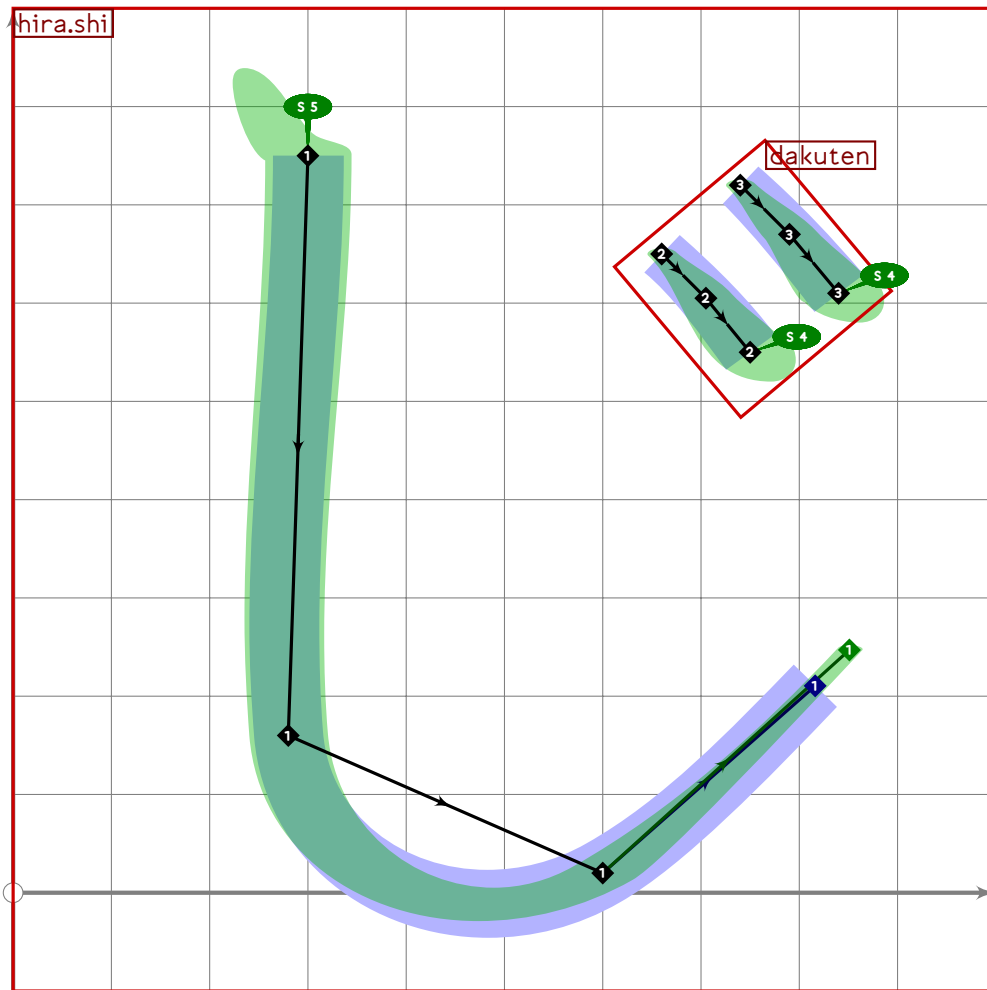


```

490 % hiragana "za"
491 begint Suglyph("uni3056";86);
492 tsu_curve.hira.sa;
493 bp1:=subpath (0,2.8) of bp1;
494 tsu_curve.dakuten(identity rotated -15 shifted (850,730));
495 tsu_render;
496 endtsuglyph;
497
498 % hiragana "shi"
499 begint Suglyph("uni3057";87);
500 tsu_curve.hira.shi;
501 tsu_render;
502 endtsuglyph;
503

```

[see page 54]



```

504 % hiragana "ji"
505 begint Suglyph("uni3058",88);
506 tsu_curve.hira.shi;
507 tsu_curve.dakuten(identity shifted (740,640));
508 tsu_render;
509 endtsuglyph;

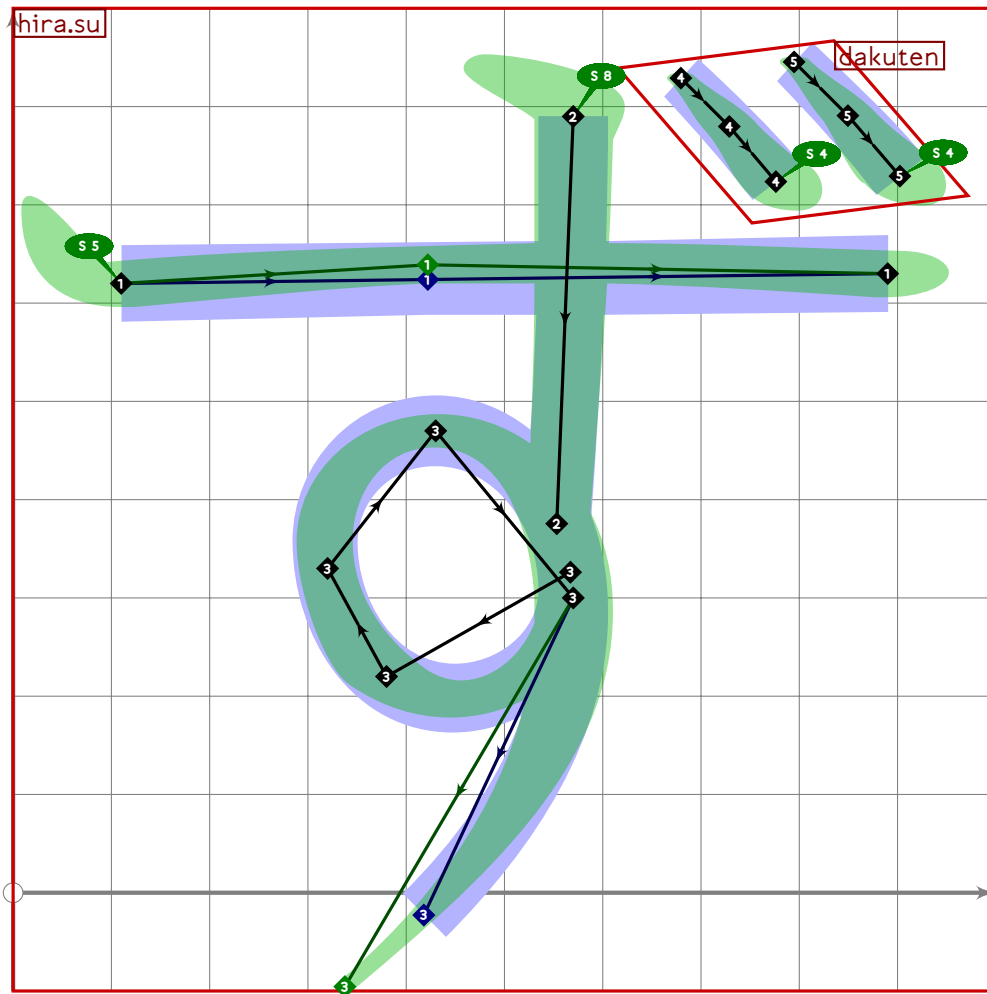
```

```

510
511 % hiragana "su"
512 begint Suglyph("uni3059",89);
513 tsu_curve.hira.su;
514 tsu_render;
515 endtsuglyph;
516

```

[see page 55]

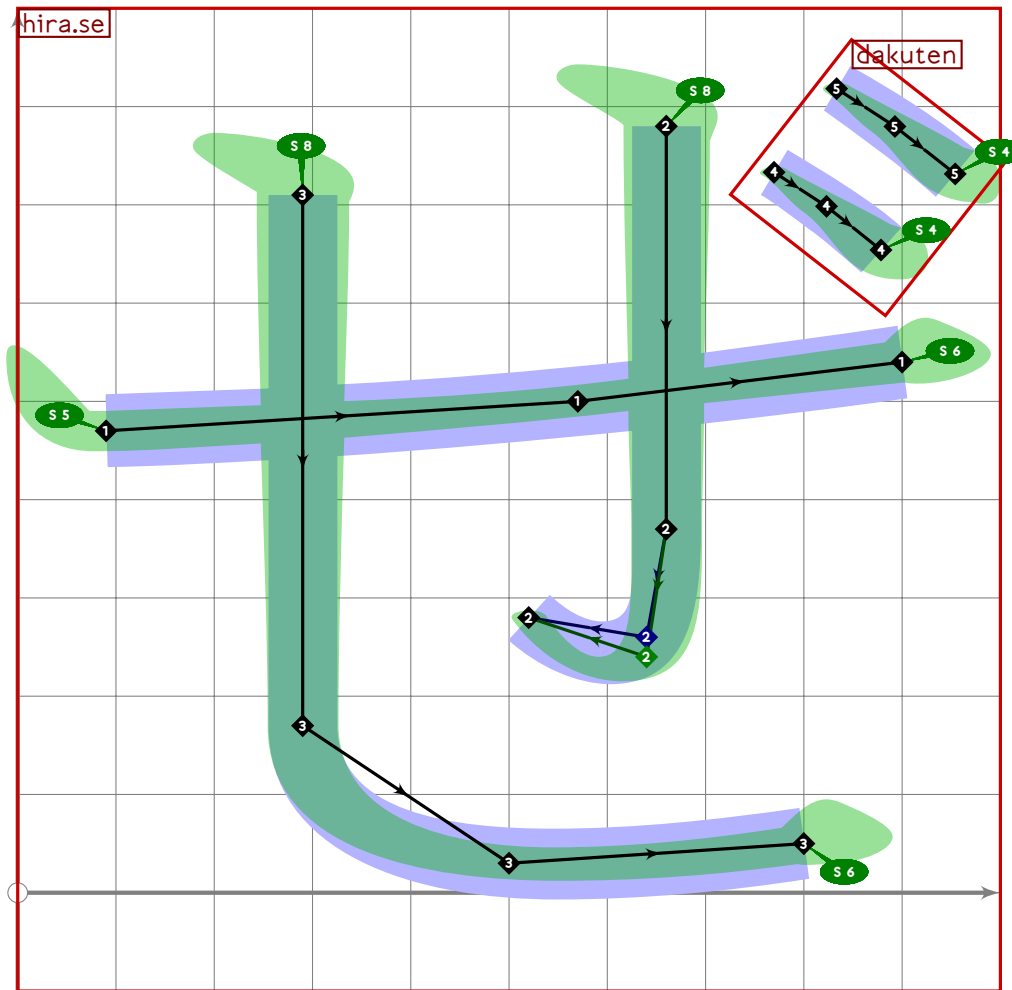


```

517 % hiragana "zu"
518 begintsuglyph("uni305A";90);
519 tsu_curve.hira.su;
520 tsu_curve.dakuten(identity rotated -30 slanted -0.4 xyscaled (1.2,0.8)
521   shifted (780,790));
522 tsu_render;
523 endtsuglyph;
524
525 % hiragana "se"
526 begintsuglyph("uni305B";91);
527 tsu_curve.hira.se;
528 tsu_render;
529 endtsuglyph;
530

```

[see page 56]

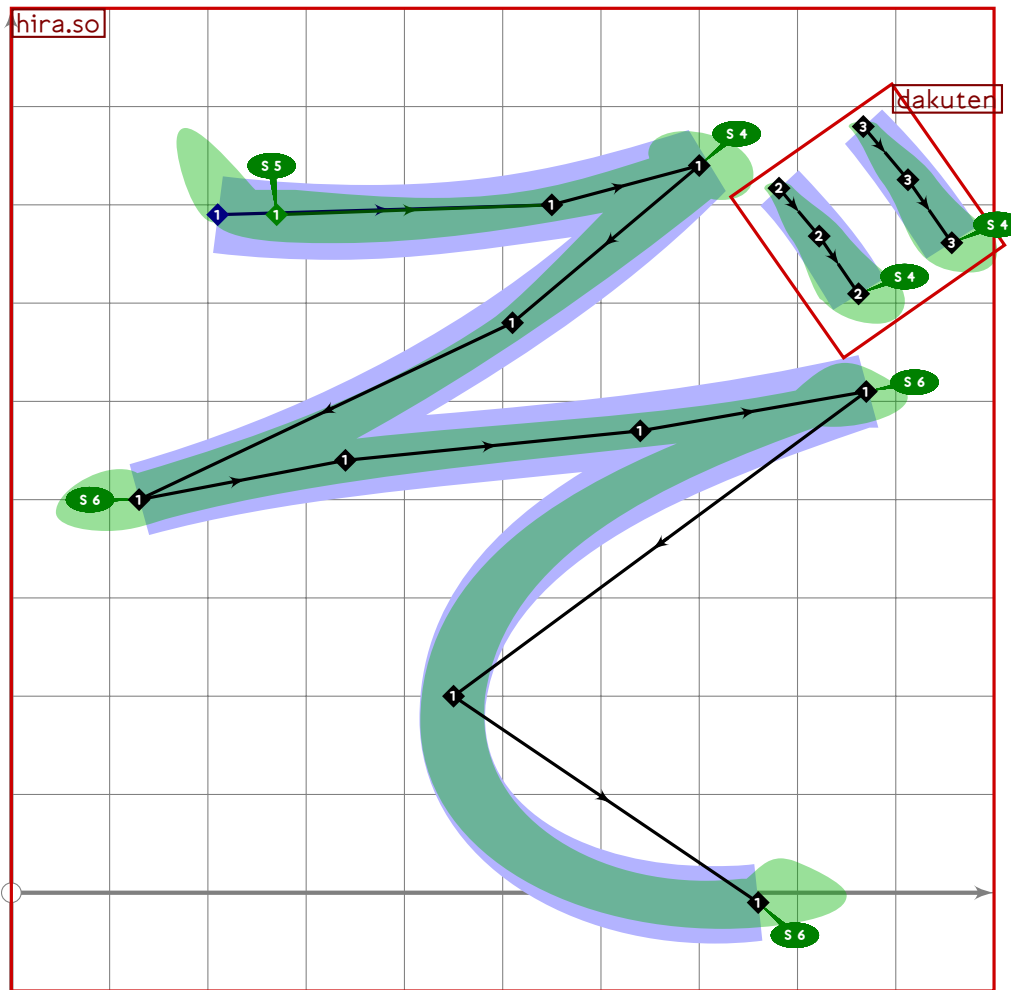


```

531 % hiragana "ze"
532 begintsuglyph("uni305C";92);
533   tsu_curve.hira.se;
534   tsu_curve.dakuten(identity rotated 12 shifted (850,740));
535   tsu_render;
536 endsuglyph;
537
538 % hiragana "so"
539 begintsuglyph("uni305D";93);
540   tsu_curve.hira.so;
541   tsu_render;
542 endsuglyph;
543

```

[see page 57]

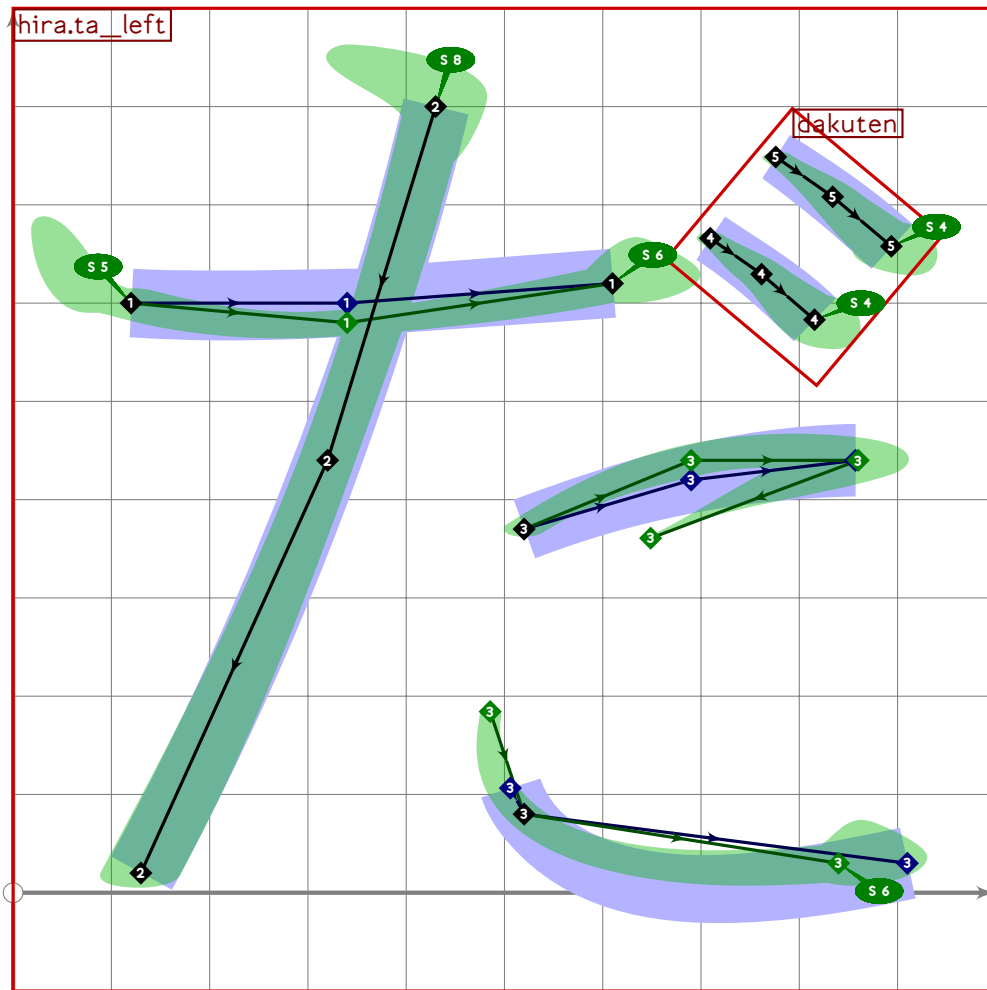


```

544 % hiragana "zo"
545 begint Suglyph("\uni305E";94);
546 tsu_curve.hira.so;
547 tsu_curve.dakuten(identity rotated -5 shifted (860,700));
548 tsu_render;
549 endtsuglyph;
550
551 % hiragana "ta"
552 begint Suglyph("\uni305F";95);
553 tsu_curve.hira.ta;
554 tsu_render;
555 endtsuglyph;
556

```

[see page 58]

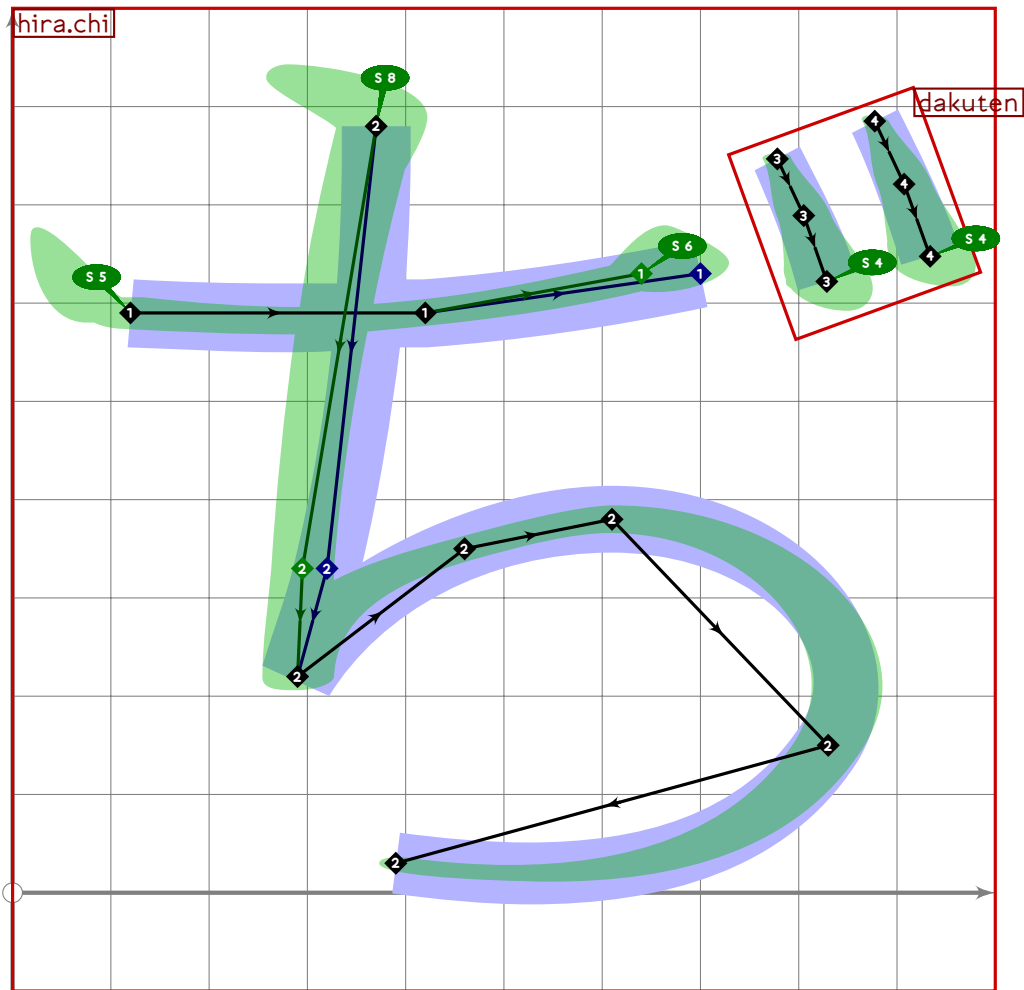


```

557 % hiragana "da"
558 begint Suglyph("uni3060";96);
559 tsu_curve.hira.ta;
560 tsu_curve.dakuten(identity rotated 10 shifted (790,670));
561 tsu_render;
562 endtsuglyph;
563
564 % hiragana "chi"
565 begint Suglyph("uni3061";97);
566 tsu_curve.hira.chi;
567 tsu_render;
568 endtsuglyph;
569

```

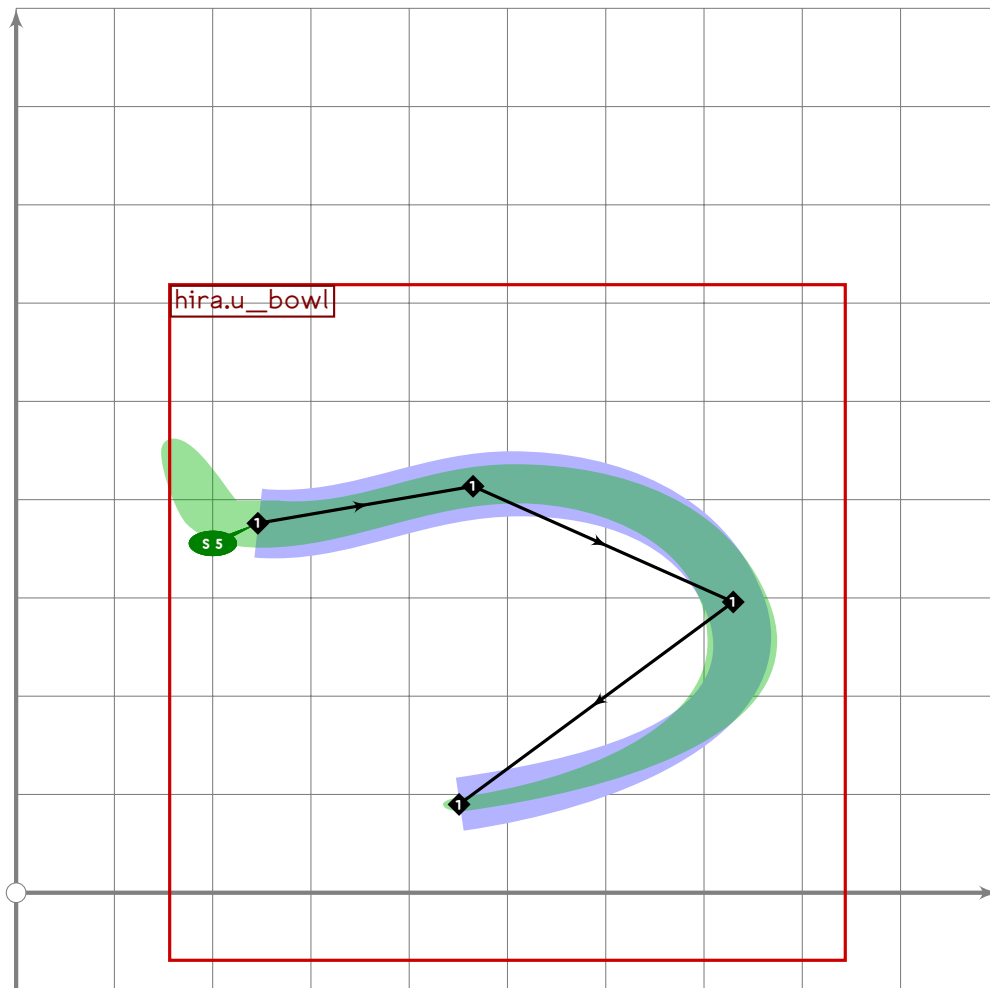
[see page 59]



```

570 % hiragana "chi"
571 begint Suglyph("uni3062";98);
572 tsu_curve.hira.chi;
573 tsu_curve.dakuten(identity rotated -20 shifted (850,710));
574 tsu_render;
575 endsuglyph;
576

```

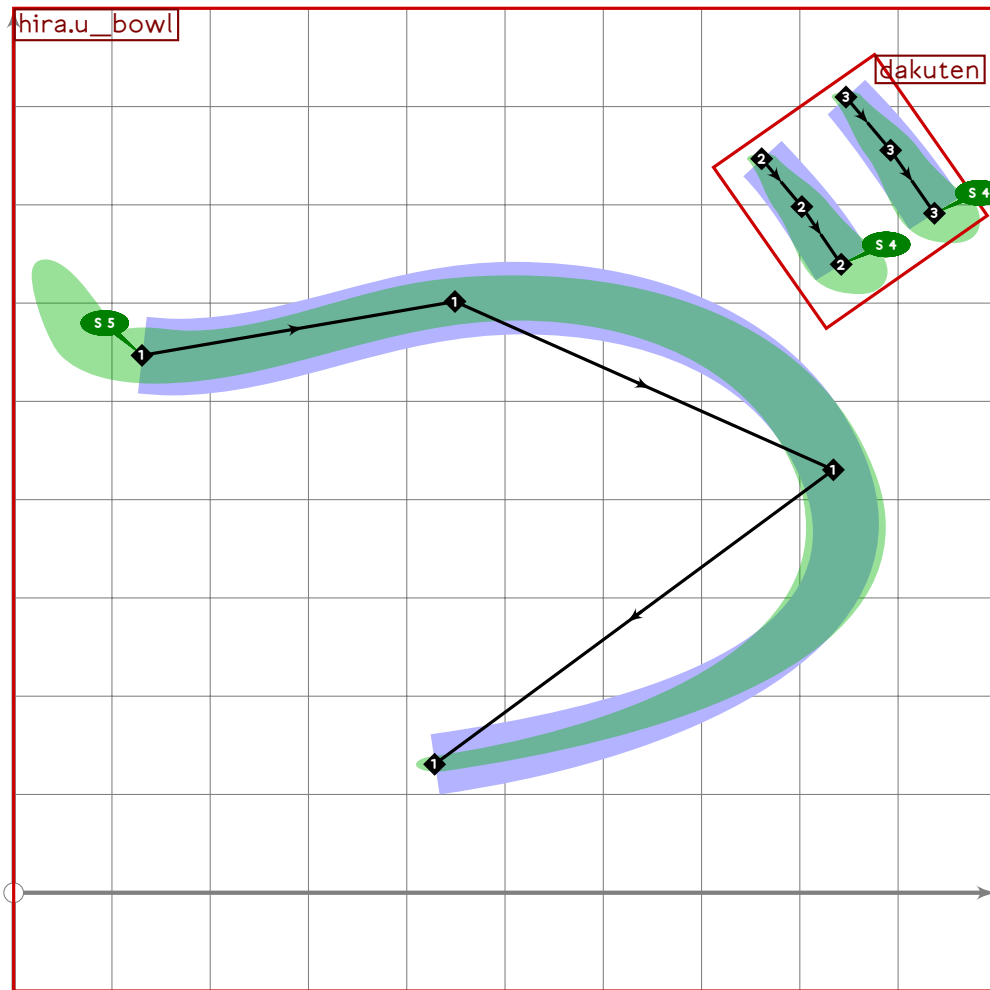


```

577 % hiragana "small tsu"
578 begint Suglyph("uni3063";99);
579 tsu_xform(tsu_xf.smallkana)(tsu_curve.hira.tsu);
580 tsu_render;
581 endtsuglyph;
582
583 % hiragana "tsu"
584 begint Suglyph("uni3064";100);
585 tsu_curve.hira.tsu;
586 tsu_render;
587 endtsuglyph;
588

```

[see page 60]

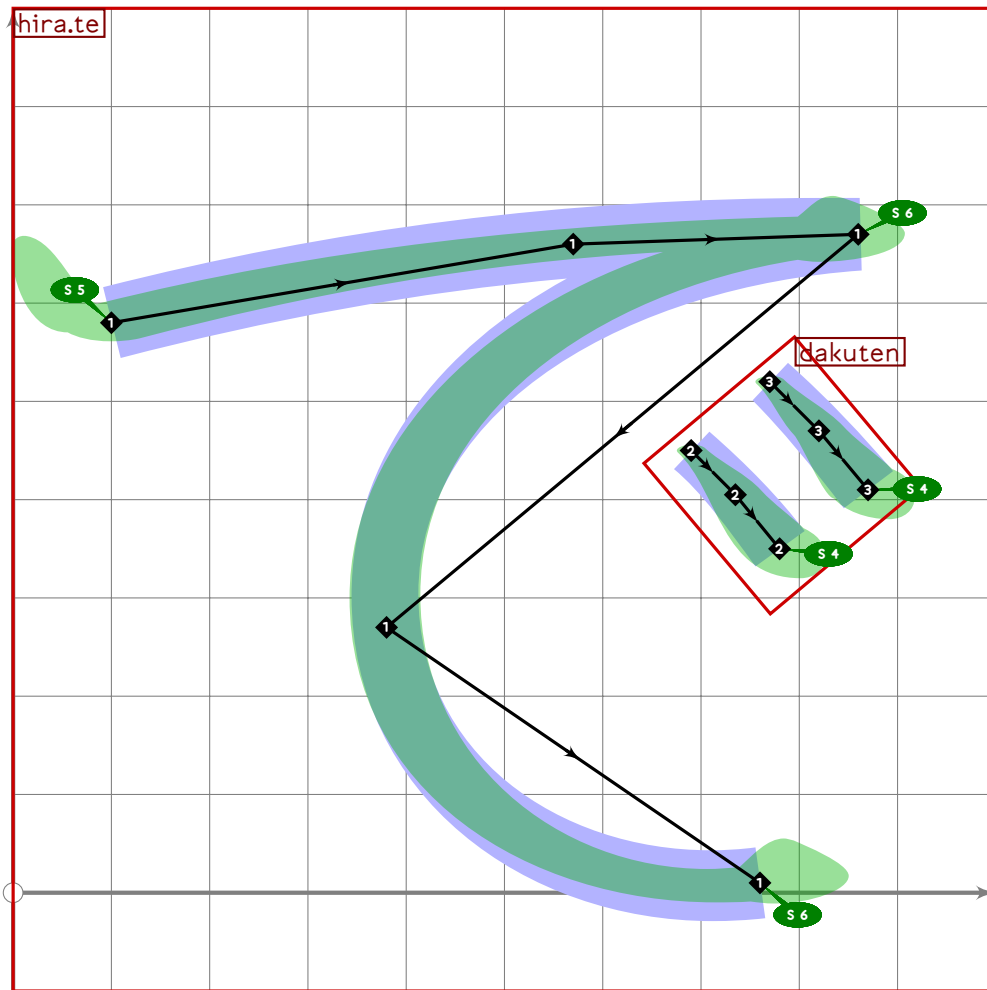


```

589 % hiragana "dzu"
590 begint Suglyph("uni3065",101);
591   tsu_curve.hira.tsu;
592   tsu_curve.dakuten(identity rotated -5 shifted (840,730));
593   tsu_render;
594 endtsuglyph;
595
596 % hiragana "te"
597 begint Suglyph("uni3066",102);
598   tsu_curve.hira.te;
599   tsu_render;
600 endtsuglyph;
601

```

[see page 61]

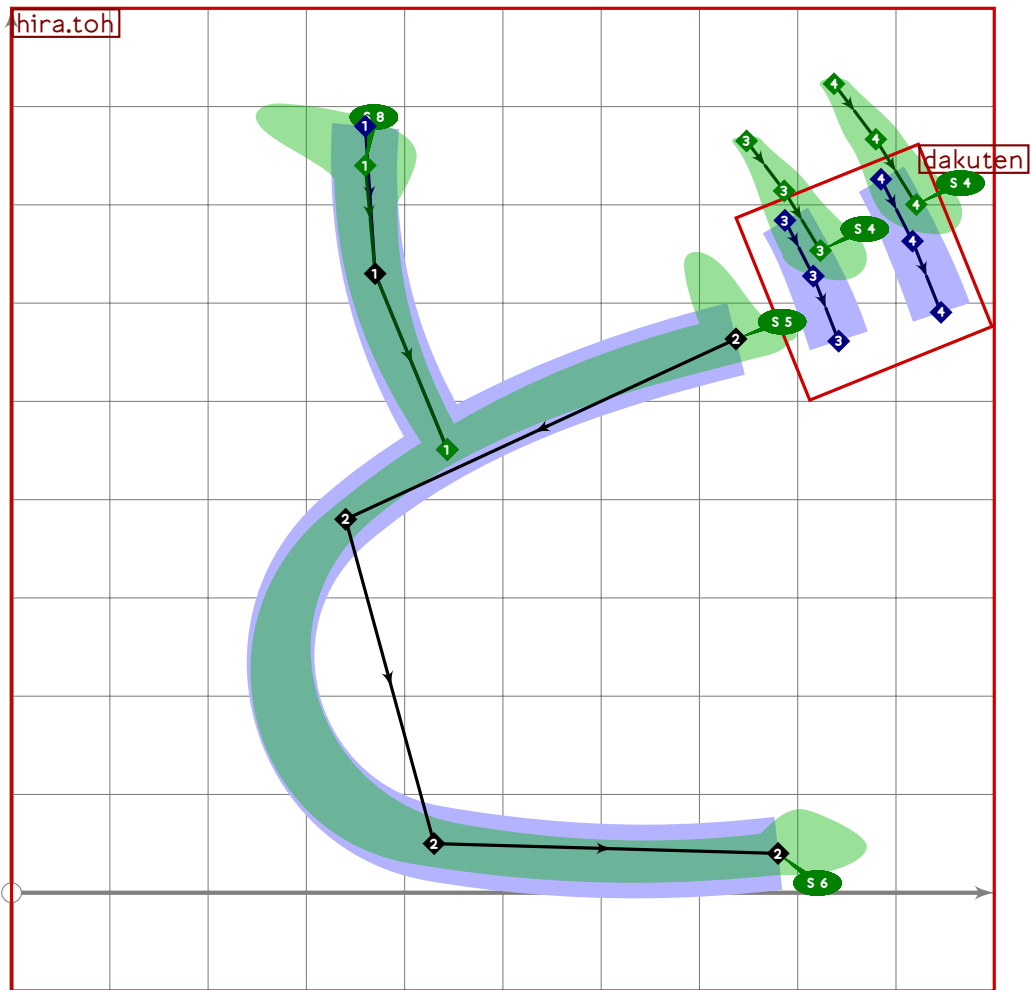


```

602 % hiragana "de"
603 begint Suglyph("uni3067",103);
604 tsu_curve.hira.te;
605 tsu_curve.dakuten(identity shifted (770,440));
606 tsu_render;
607 endtsuglyph;
608
609 % hiragana "to"
610 begint Suglyph("uni3068",104);
611 tsu_curve.hira.toh;
612 tsu_render;
613 endtsuglyph;
614

```

[see page 62]



```

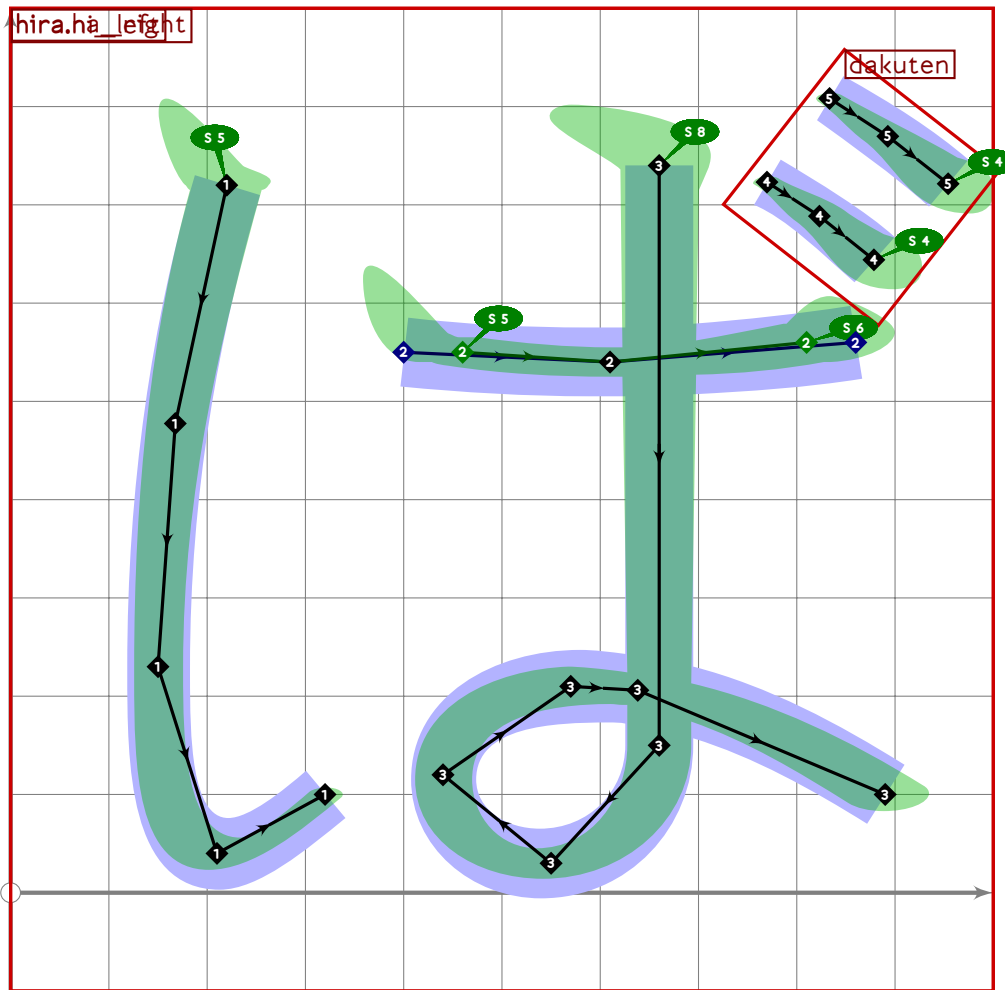
615 % hiragana "do"
616 begintsuglyph("uni3069",105);
617 tsu_curve.hira.toh;
618 bp2:=subpath (0,1,infinity) of bp2;
619 tsu_curve.dakuten(identity rotated (-18*10*mincho
620     shifted ((860,650) shifted (100*mincho*(dir 110)))));
621 tsu_render;
622 endtsuglyph;
623
624 % hiragana "na"
625 begintsuglyph("uni306A",106);
626 tsu_curve.hira.na;
627 tsu_render;
628 endtsuglyph;
629
630 % hiragana "ni"
631 begintsuglyph("uni306B",107);
632 tsu_curve.hira.ni;
633 tsu_render;
634 endtsuglyph;
635

```

[see page 63]

[see page 64]

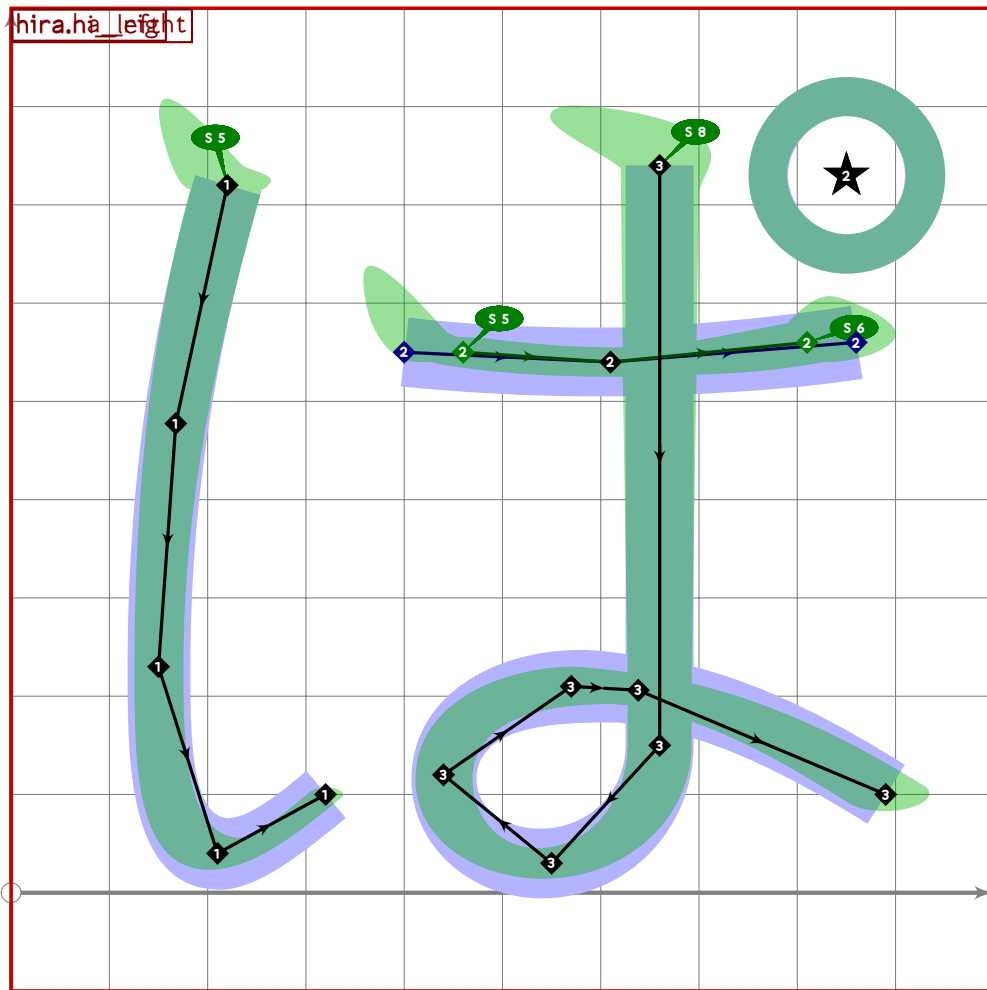
```
636 % hiragana "nu"
637 begintsuglyph("uni306C";108); [see page 65]
638 tsu_curve.hira.nu;
639 tsu_render;
640 endtsuglyph;
641
642 % hiragana "ne"
643 begintsuglyph("uni306D";109); [see page 66]
644 tsu_curve.hira.ne;
645 tsu_render;
646 endtsuglyph;
647
648 % hiragana "no"
649 begintsuglyph("uni306E";110); [see page 67]
650 tsu_curve.hira.no;
651 tsu_render;
652 endtsuglyph;
653
654 % hiragana "na"
655 begintsuglyph("uni306F";111); [see page 68]
656 tsu_curve.hira.na;
657 tsu_render;
658 endtsuglyph;
659
```

```

660 % hiragana "ba"
661 begint Suglyph("uni3070",112);
662 tsu_curve.hira.ha;
663 tsu_curve.dakuten(identity rotated 12 shifted (850,730));
664 tsu_render;
665 endsuglyph;
666

```

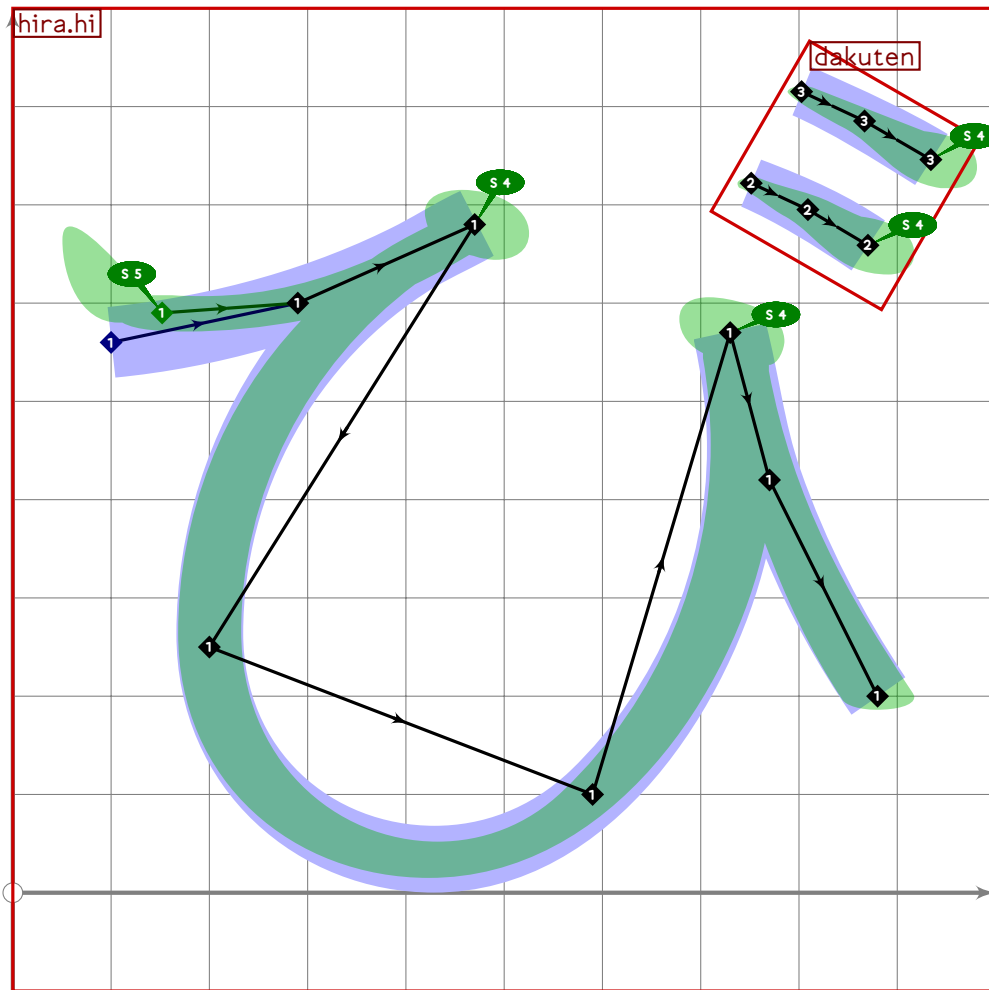


```

667 % hiragana "pa"
668 begint Suglyph("uni3071";113);
669 tsu_curve.hira.ha;
670 tsu_curve.handakuten((850,730));
671 tsu_render;
672 endtsuglyph;
673
674 % hiragana "hi"
675 begint Suglyph("uni3072";114);
676 tsu_curve.hira.hi;
677 tsu_render;
678 endtsuglyph;
679

```

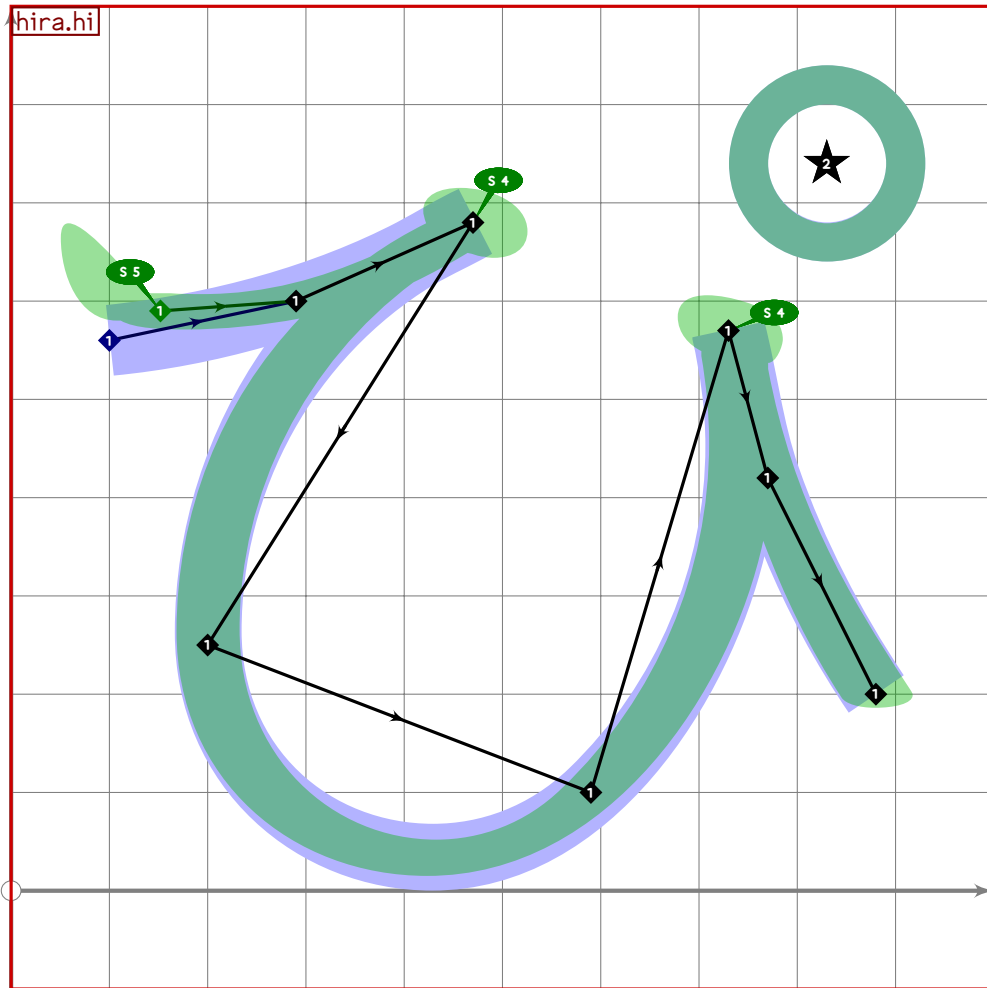
[see page 69]



```

680 % hiragana "bi"
681 begint Suglyph("uni3073";115);
682 tsu_curve.hira.hi;
683 tsu_curve.dakuten(identity rotated 20 shifted (830,740));
684 tsu_render;
685 endtsuglyph;
686

```

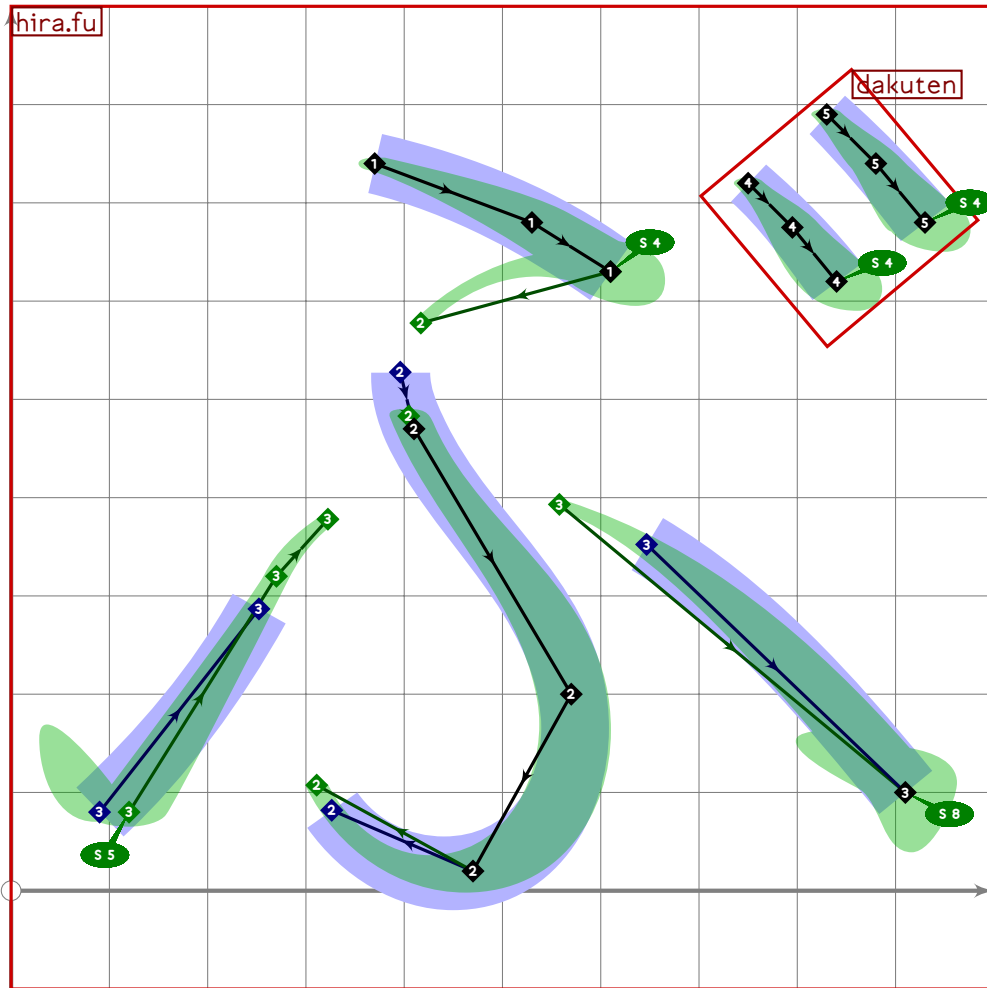


```

687 % hiragana "pi"
688 begint Suglyph("uni3074";116);
689 tsu_curve.hira.hi;
690 tsu_curve.handakuten((830,740));
691 tsu_render;
692 endtsuglyph;
693
694 % hiragana "fu"
695 begint Suglyph("uni3075";117);
696 tsu_curve.hira.fu;
697 tsu_render;
698 endtsuglyph;
699

```

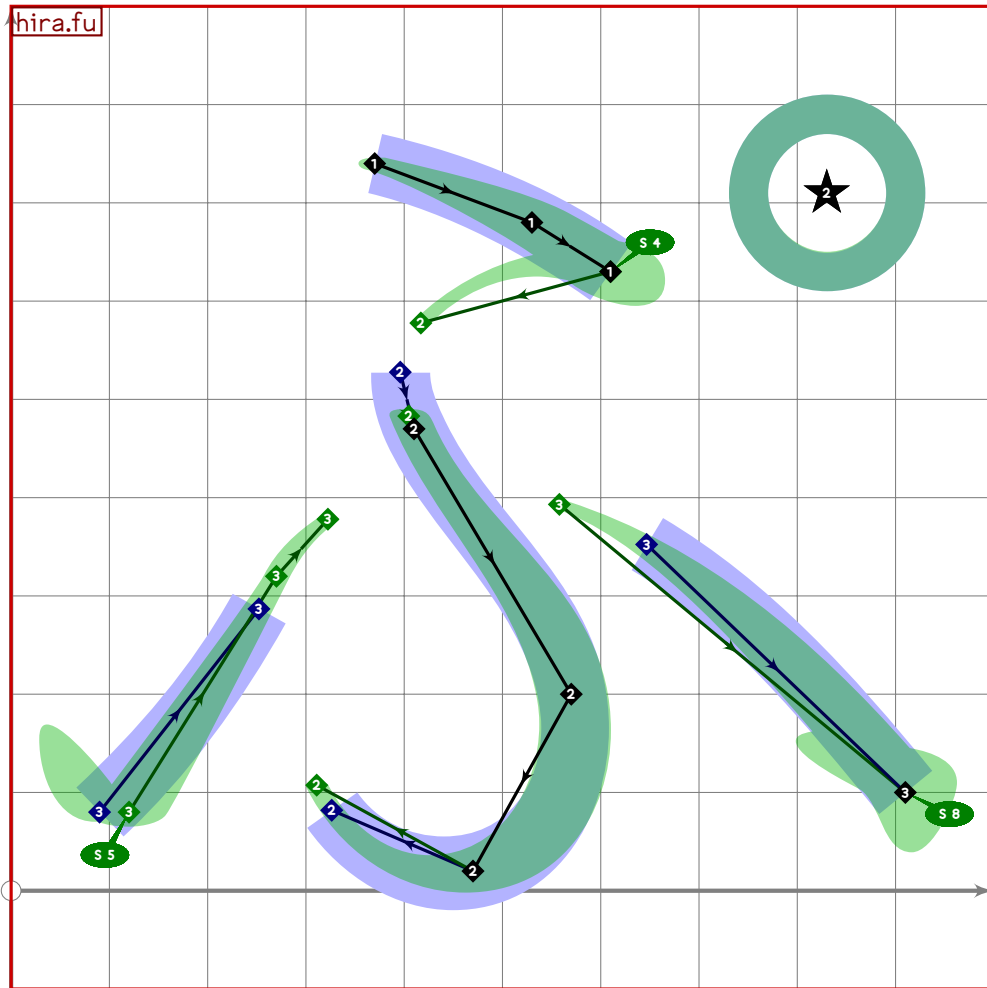
[see page 70]



```

700 % hiragana "bu"
701 begint Suglyph("uni3076";118);
702 tsu_curve.hira.fu;
703 tsu_curve.dakuten(identity shifted (830,710));
704 tsu_render;
705 endtsuglyph;
706

```

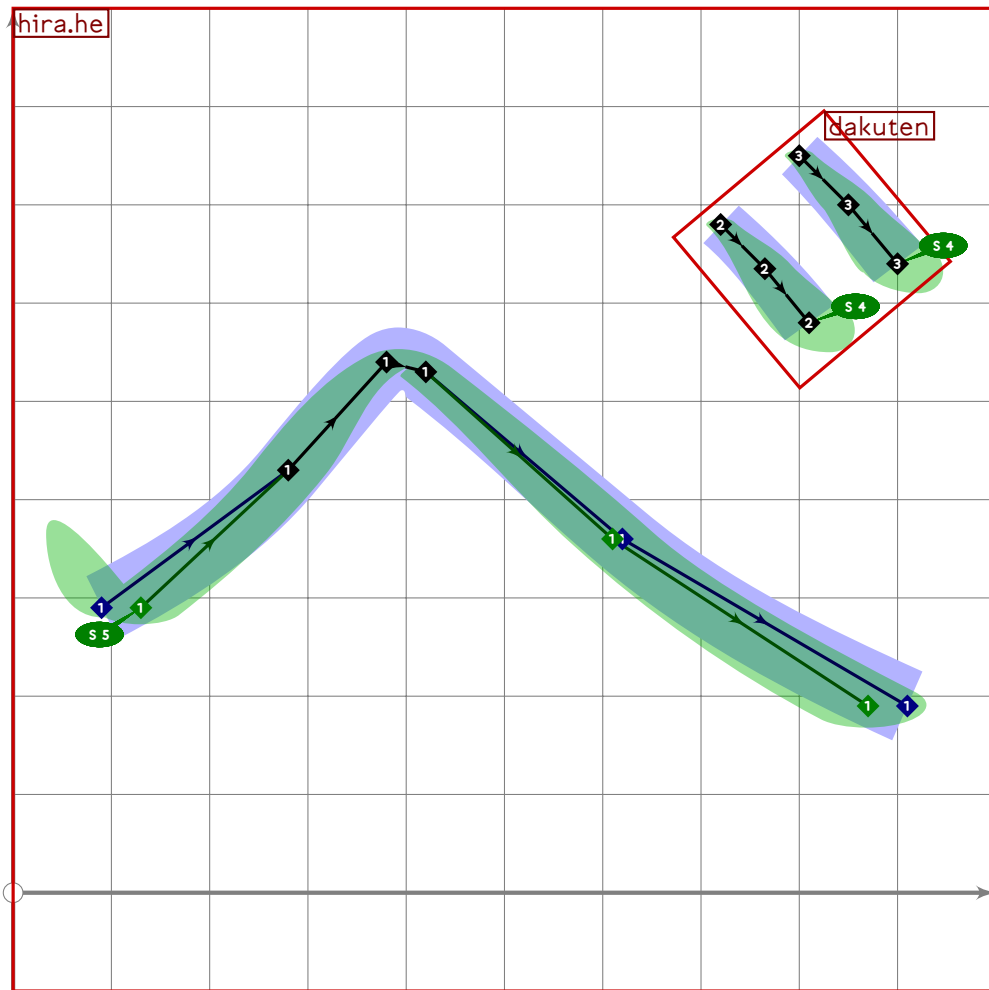


```

707 % hiragana "pu"
708 begint Suglyph("uni3077",119);
709 tsu_curve.hira.fu;
710 tsu_curve.handakuten((830,710));
711 tsu_render;
712 endtsuglyph;
713
714 % hiragana "he"
715 begint Suglyph("uni3078",120);
716 tsu_curve.hira.he;
717 tsu_render;
718 endtsuglyph;
719

```

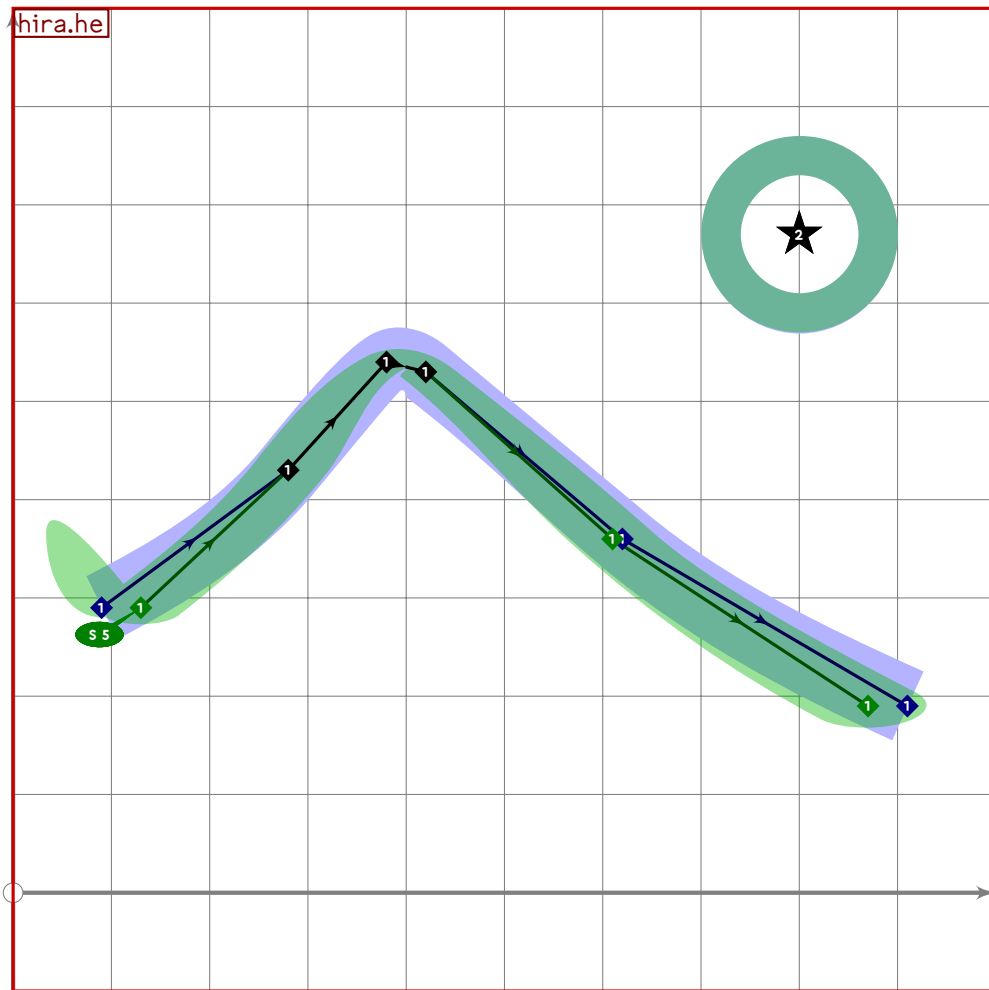
[see page 71]



```

720 % hiragana "be"
721 begint Suglyph("uni3079",121);
722 tsu_curve.hira.he;
723 tsu_curve.dakuten(identity shifted (800,670));
724 tsu_render;
725 endtsuglyph;
726

```

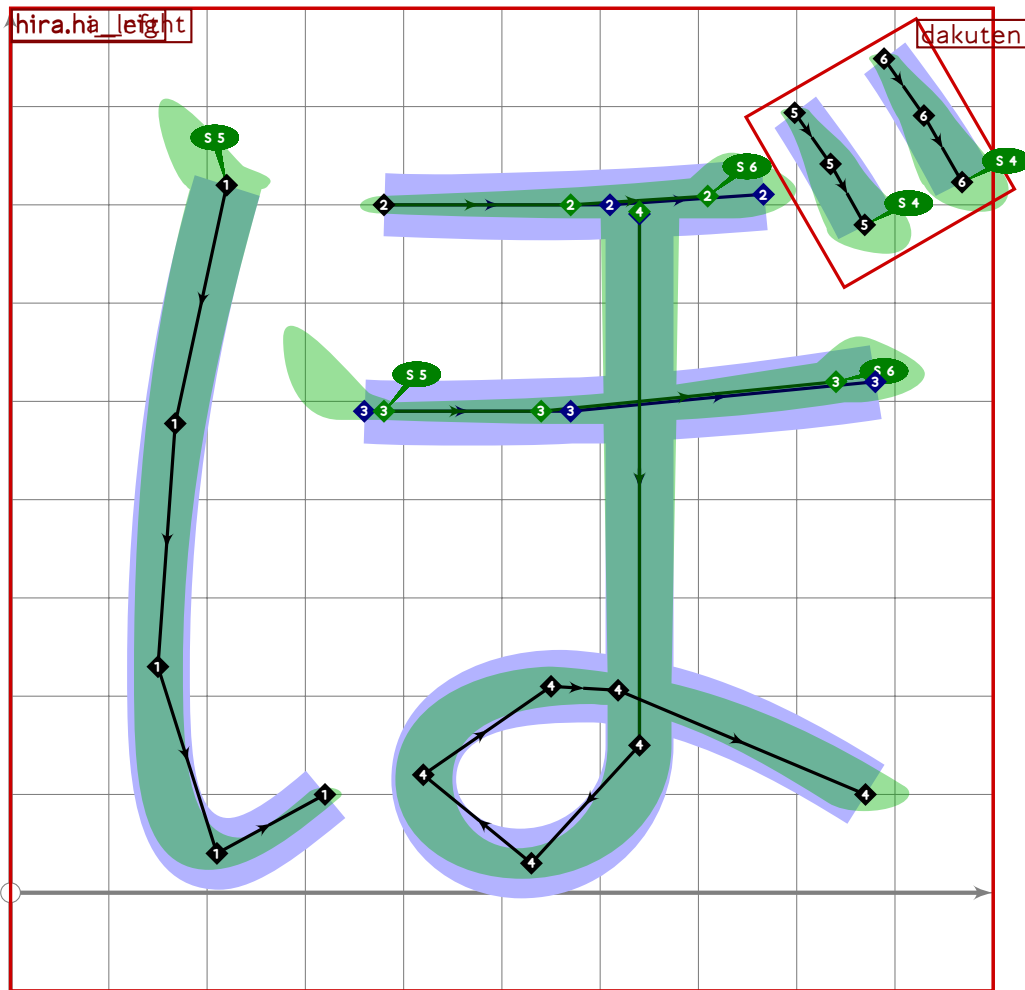


```

727 % hiragana "pe"
728 begint Suglyph("uni307A";122);
729   tsu_curve.hira.he;
730   tsu_curve.handakuten((800,670));
731   tsu_render;
732 endtsuglyph;
733
734 % hiragana "ho"
735 begint Suglyph("uni307B";123);
736   tsu_curve.hira.ho;
737   tsu_render;
738 endtsuglyph;
739

```

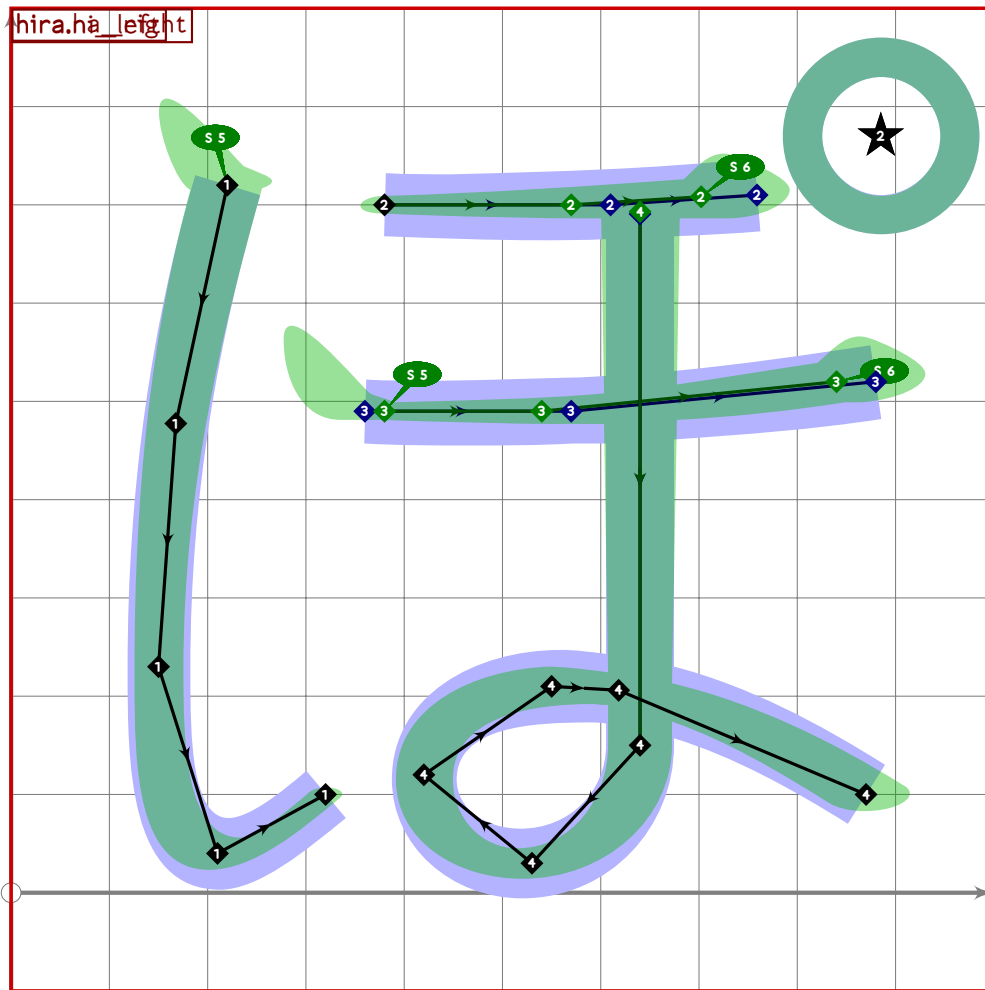
[see page 72]



```

740 % hiragana "bo"
741 begint Suglyph("uni307C",124);
742 tsu_curve.hira.ho;
743 bp2:=subpath (0,1.65-0.07*mincho) of bp2;
744 bp4:=bp4 shifted (-20,0);
745 tsu_curve.dakuten(identity rotated -10 shifted (875,770));
746 tsu_render;
747 endtsuglyph;
748

```



```

749 % hiragana "po"
750 begintsuglyph("uni307D",125);
751 tsu_curve.hira.po;
752 bp2:=subpath (0,1,62-0.07*mincho) of bp2;
753 bp4:=bp4 shifted (-20,0);
754 tsu_curve.handakuten((885,770));
755 tsu_render;
756 endtsuglyph;
757
758 % hiragana "ma"
759 begintsuglyph("uni307E",126);
760 tsu_curve.hira.ma;
761 tsu_render;
762 endtsuglyph;
763
764 % hiragana "mi"
765 begintsuglyph("uni307F",127);
766 tsu_curve.hira.mi;
767 tsu_render;
768 endtsuglyph;
769

```

[see page 73]

[see page 75]

```

770 % hiragana "mu"
771 begintsuglyph("uni3080";128);
772 tsu_curve.hira.mu;
773 tsu_render;
774 endtsuglyph;

```

[see page 76]

```

775
776 % hiragana "me"
777 begintsuglyph("uni3081";129);
778 tsu_curve.hira.me;
779 tsu_render;
780 endtsuglyph;

```

[see page 77]

```

781
782 % hiragana "mo"
783 begintsuglyph("uni3082";130);
784 tsu_curve.hira.mo;
785 tsu_render;
786 endtsuglyph;

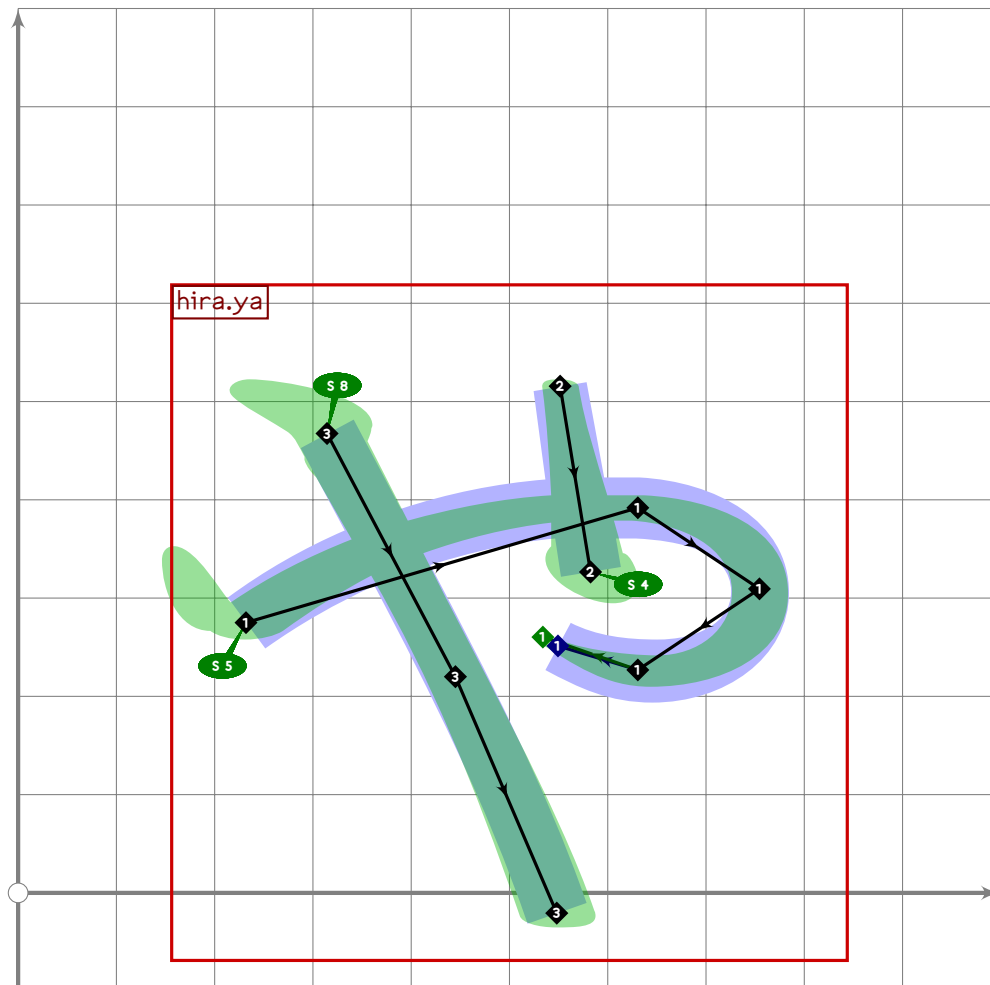
```

[see page 78]

```

787

```



```

788 % hiragana "small ya"
789 begintsuglyph("uni3083";131);
790 tsu_xform(tsu_xf.smallkana)(tsu_curve.hira.ya);

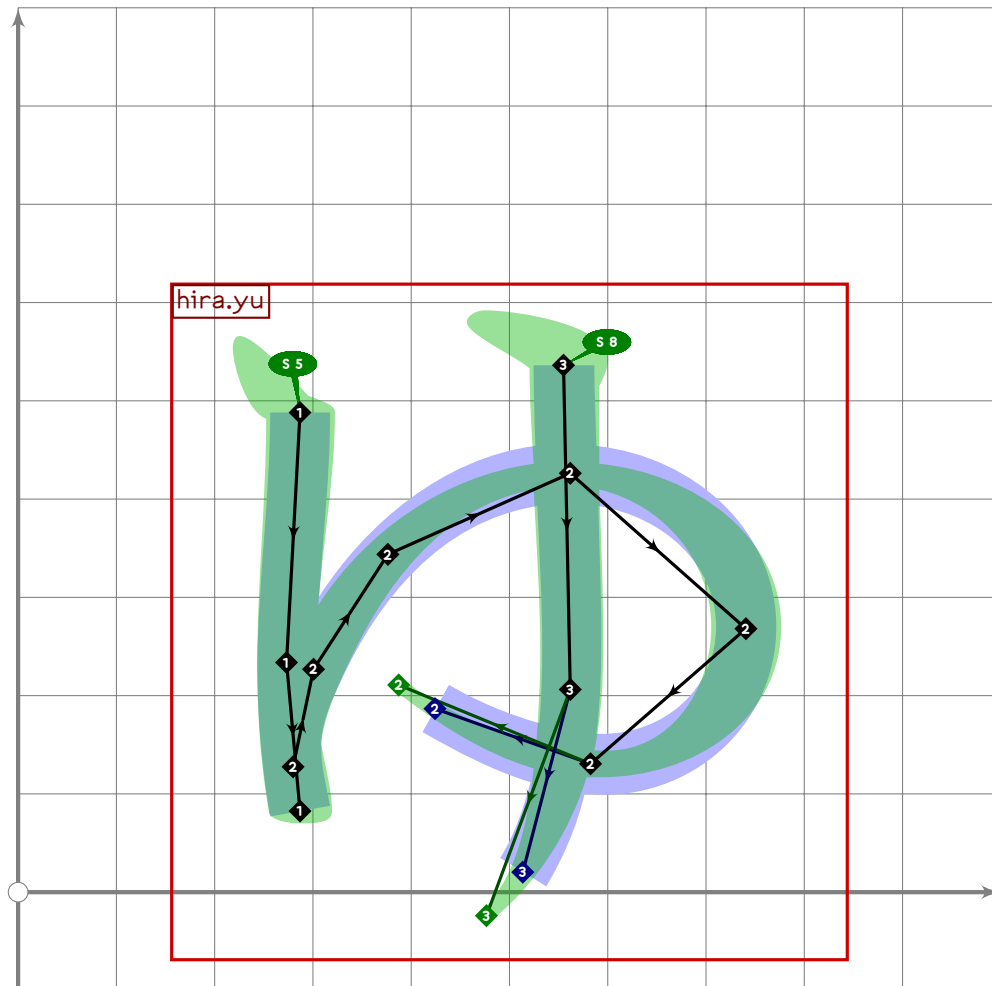
```

```

791 tsu_render;
792 endtsuglyph;
793
794 % hiragana "ya"
795 begintsuglyph("uni3084",132);
796 tsu_curve.hira.ya;
797 tsu_render;
798 endtsuglyph;
799

```

[see page 79]

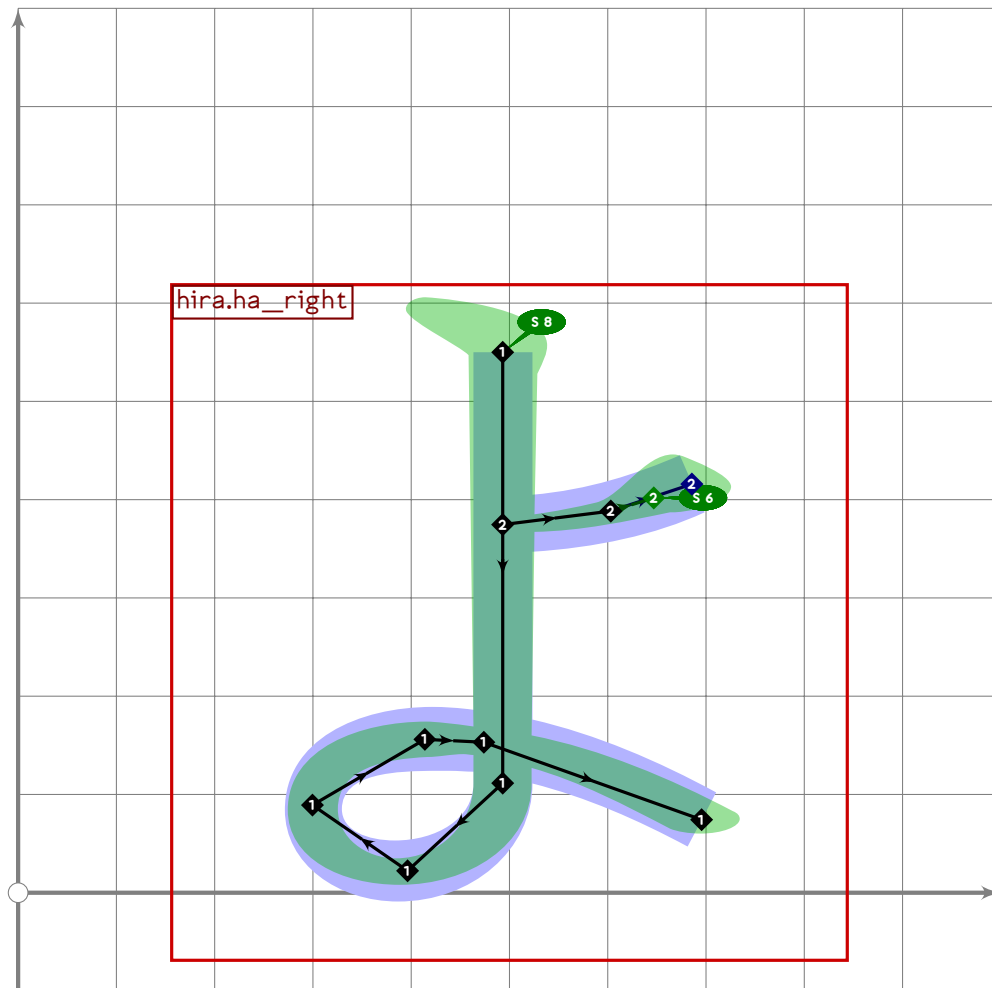


```

800 % hiragana "small yu"
801 begintsuglyph("uni3085",133);
802 tsu_xform(tsu_xf.smallkana)(tsu_curve.hira.yu);
803 tsu_render;
804 endtsuglyph;
805
806 % hiragana "yu"
807 begintsuglyph("uni3086",134);
808 tsu_curve.hira.yu;
809 tsu_render;
810 endtsuglyph;
811

```

[see page 80]



```

812 % hiragana "small yo"
813 begintsuglyph("uni3087",135);
814 tsu_xform(tsu_xf.smallkana)(tsu_curve.hira.yo);
815 tsu_render;
816 endtsuglyph;
817
818 begintsuglyph("uni3088",136);
819 tsu_curve.hira.yo;
820 tsu_render;
821 endtsuglyph;
822
823 % hiragana "ra"
824 begintsuglyph("uni3089",137);
825 tsu_curve.hira.ra;
826 tsu_render;
827 endtsuglyph;
828
829 % hiragana "ri"
830 begintsuglyph("uni308A",138);
831 tsu_curve.hira.ri;
832 tsu_render;

```

[see page 81]

[see page 82]

[see page 83]

```

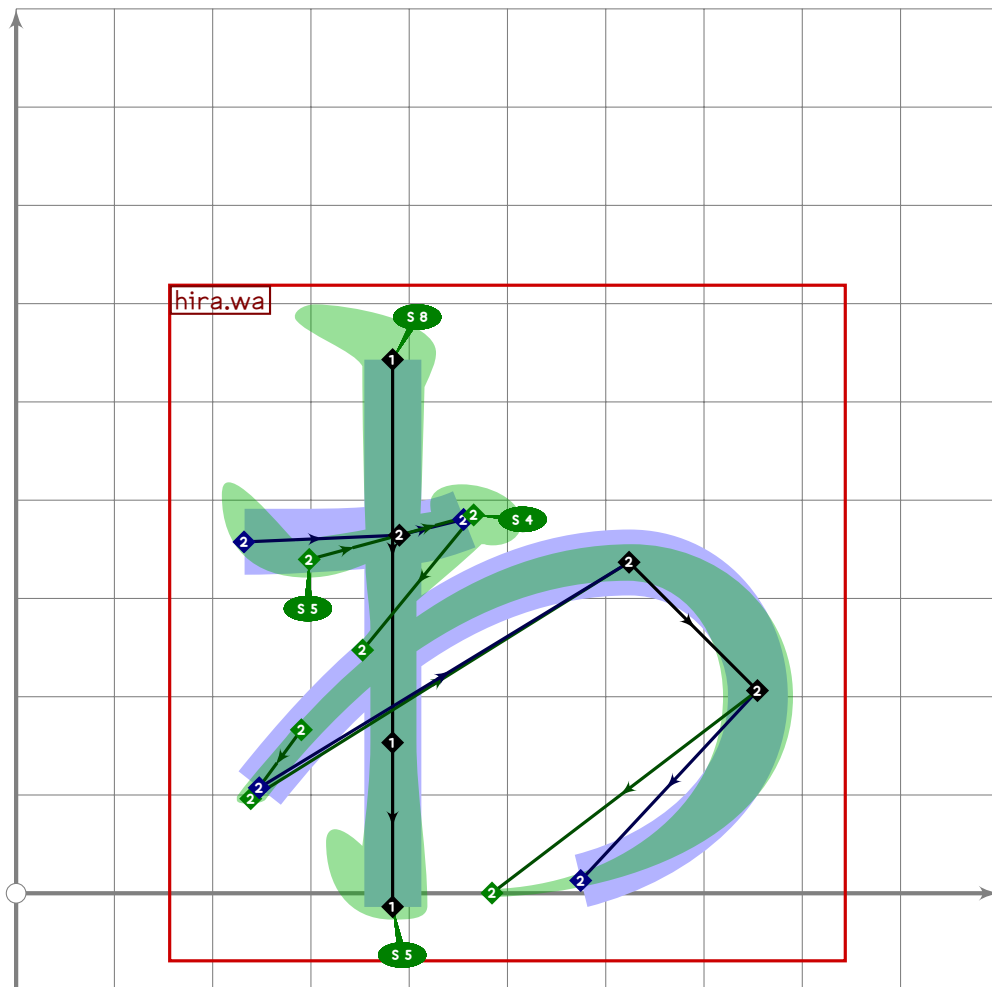
833 endtsuglyph;
834
835 % hiragana "ru"
836 begintsuglyph("uni308B",139);
837 tsu_curve.hira.ru;
838 tsu_render;
839 endtsuglyph;
840
841 % hiragana "re"
842 begintsuglyph("uni308C",140);
843 tsu_curve.hira.re;
844 tsu_render;
845 endtsuglyph;
846
847 % hiragana "ro"
848 begintsuglyph("uni308D",141);
849 tsu_curve.hira.ro;
850 tsu_render;
851 endtsuglyph;
852

```

[see page 84]

[see page 85]

[see page 86]



```

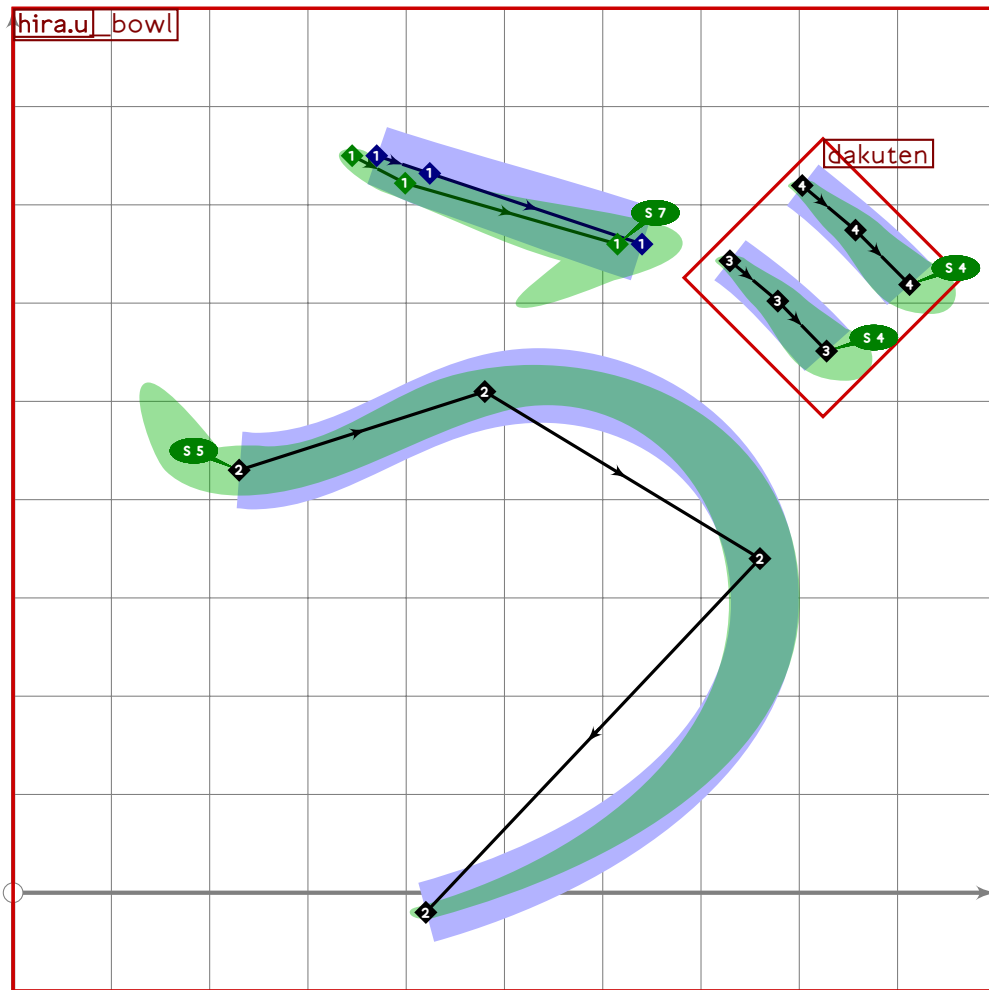
853 % hiragana "small wa"

```

```

854 begintsuglyph("uni308E",142);
855 tsu_xform(tsu_xf.smallkana)(tsu_curve.hira.wa);
856 tsu_render;
857 endtsuglyph;
858
859 % hiragana "wa"
860 begintsuglyph("uni308F",143); [see page 87]
861 tsu_curve.hira.wa;
862 tsu_render;
863 endtsuglyph;
864
865 % obsolete hiragana "wi"
866 begintsuglyph("uni3090",144); [see page 88]
867 tsu_curve.hira.wi;
868 tsu_render;
869 endtsuglyph;
870
871 % obsolete hiragana "we"
872 begintsuglyph("uni3091",145); [see page 89]
873 tsu_curve.hira.we;
874 tsu_render;
875 endtsuglyph;
876
877 % hiragana "wo"
878 begintsuglyph("uni3092",146); [see page 90]
879 tsu_curve.hira.wo;
880 tsu_render;
881 endtsuglyph;
882
883 % hiragana "n"
884 begintsuglyph("uni3093",147); [see page 91]
885 tsu_curve.hira.n;
886 tsu_render;
887 endtsuglyph;
888

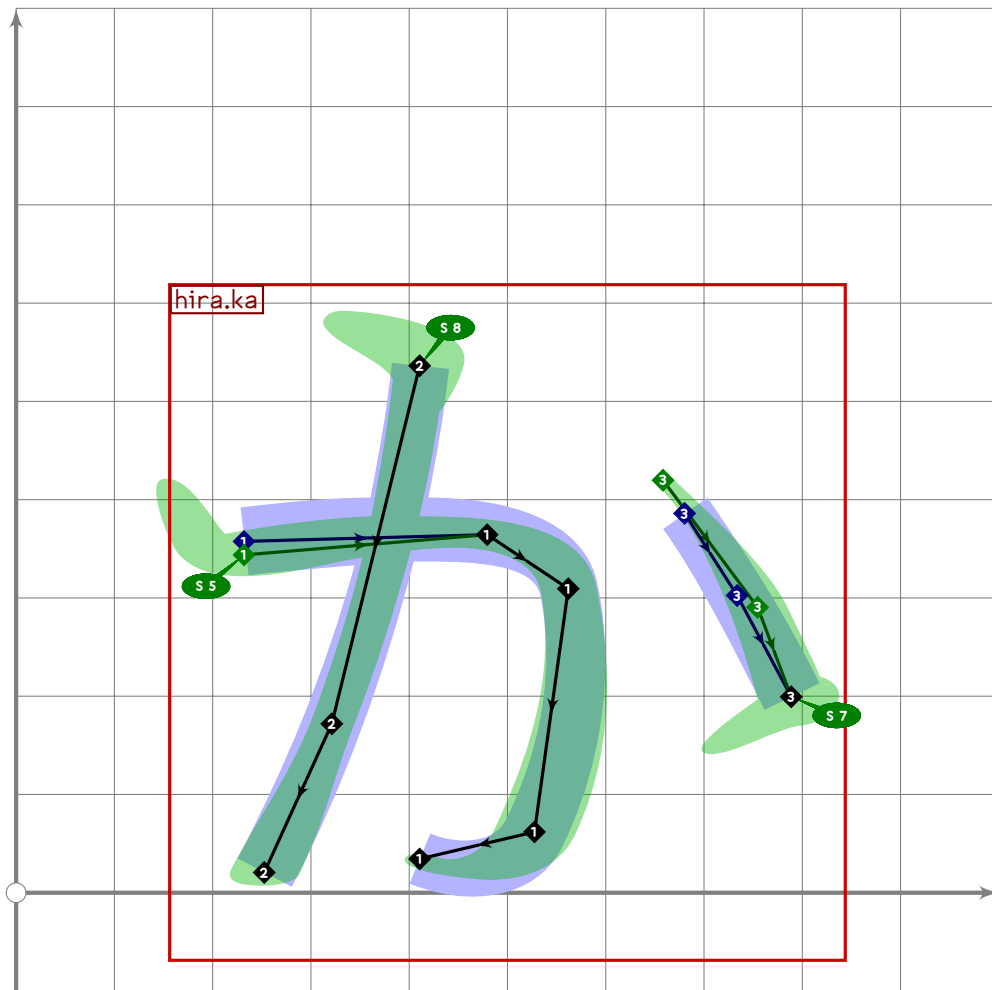
```



```

889 % hiragana "vu"
890 begint Suglyph("uni3094",148);
891 tsu_curve.hira.u;
892 tsu_curve.dakuten(identity rotated 5 shifted (810,640));
893 tsu_render;
894 endtsuglyph;
895

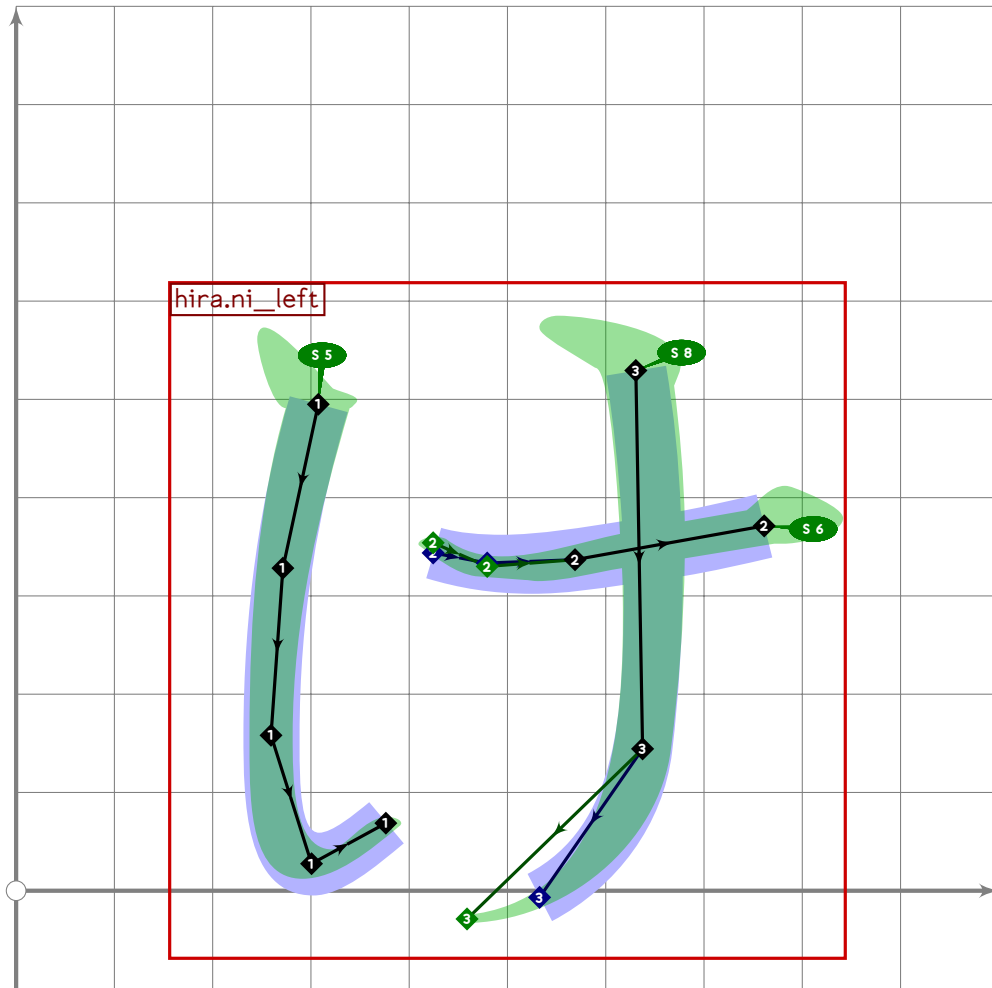
```

```

896 % hiragana "small ka"
897 begint Suglyph("uni3095";149);
898 tsu_xform(tsu_xf.smallkana)(tsu_curve.hira.ka);
899 tsu_render;
900 endtsuglyph;
901

```



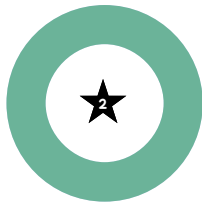
```

902 % hiragana "small ke"
903 begint Suglyph("uni3096";150);
904 tsu_xform(tsu_xf.smallkana)(tsu_curve.hira.ke);
905 tsu_render;
906 endtsuglyph;
907
908 % WARNING changing rescale setting
909 tsu_rescale_native_zero;
910

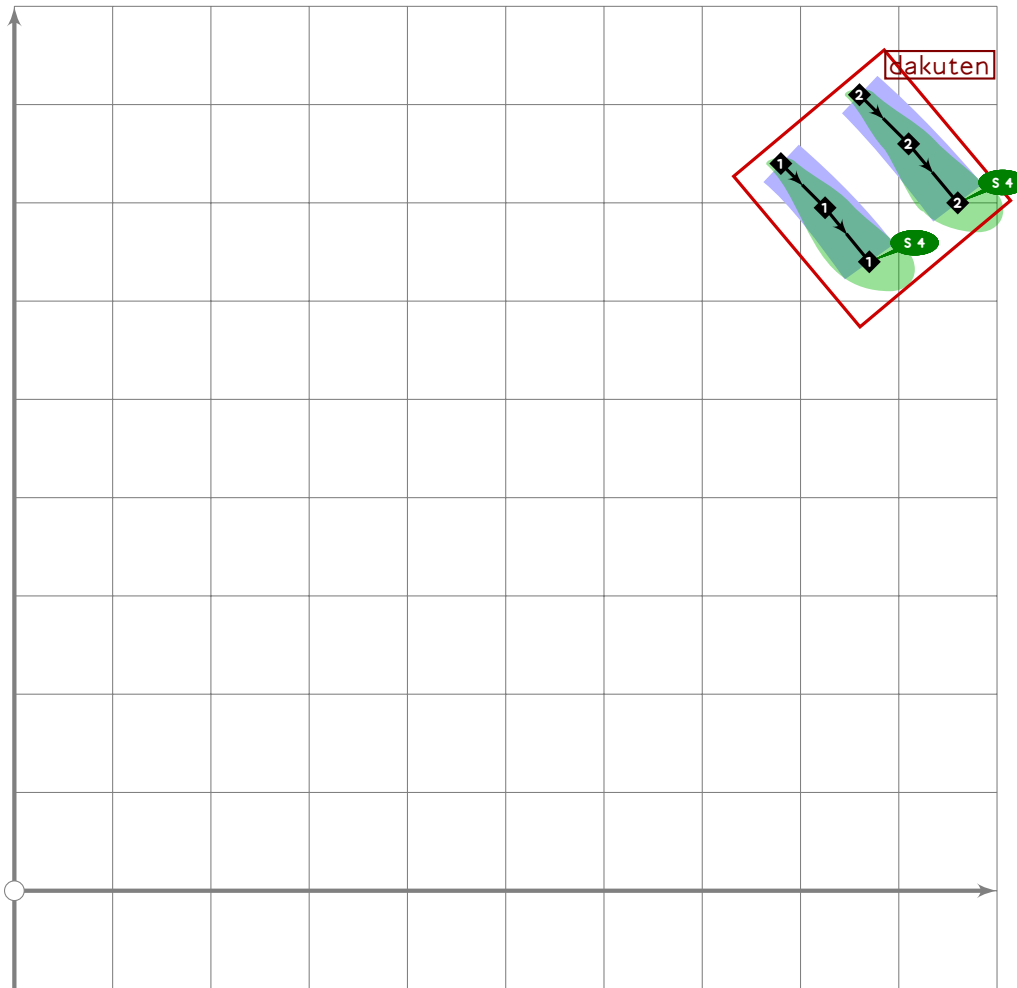
```



```
911 % combining dakuten
912 begint Suglyph("uni3099",153);
913   tsu_curve.dakuten(identity shifted (-140,730));
914   tsu_render;
915   endtsuglyph;
916
```



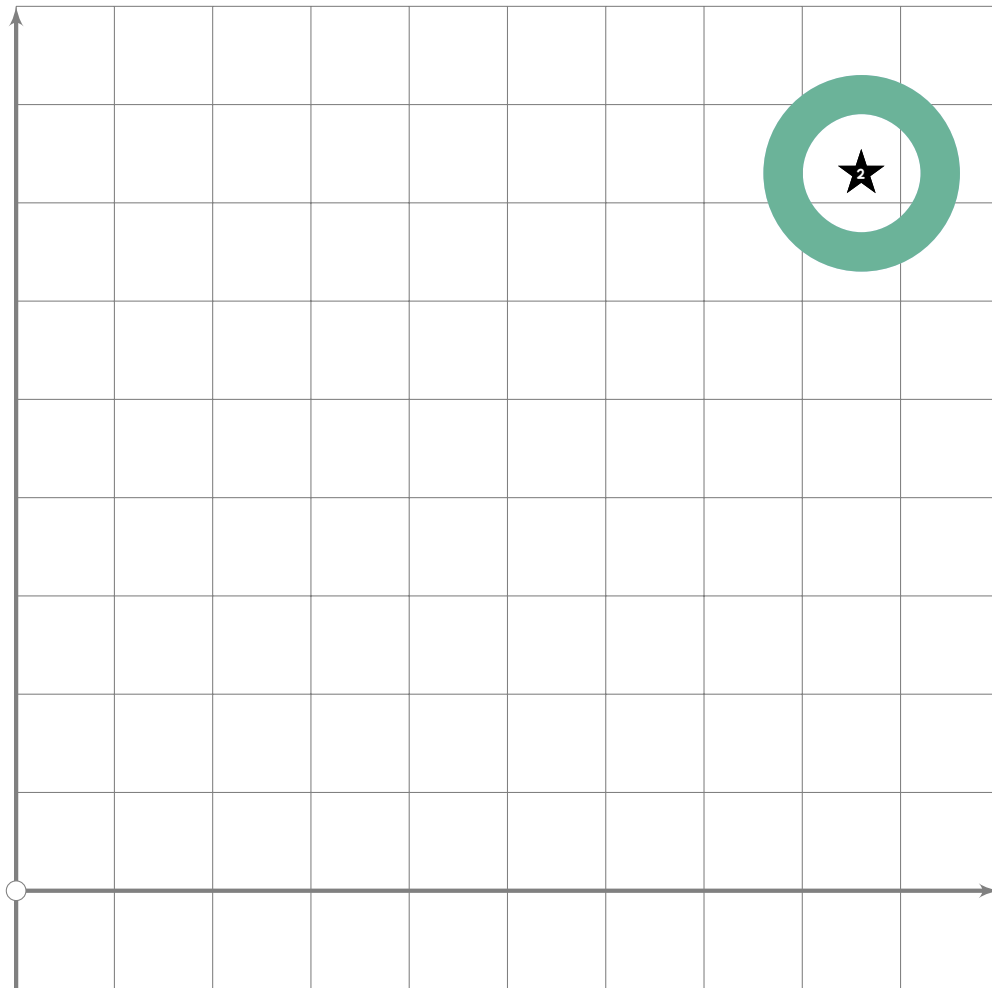
```
917 % combining handakuten
918 begintsuglyph("uni309A",154);
919 tsu_curve.handakuten((-140,730));
920 tsu_render;
921 endtsuglyph;
922
923 % WARNING changing rescale setting
924 tsu_rescale_full;
925
```



```

926 % dakuten alone
927 begint Suglyph("\uni309B",155);
928   tsu_curve.dakuten(identity shifted (860,730));
929   tsu_render;
930 endsuglyph;
931

```

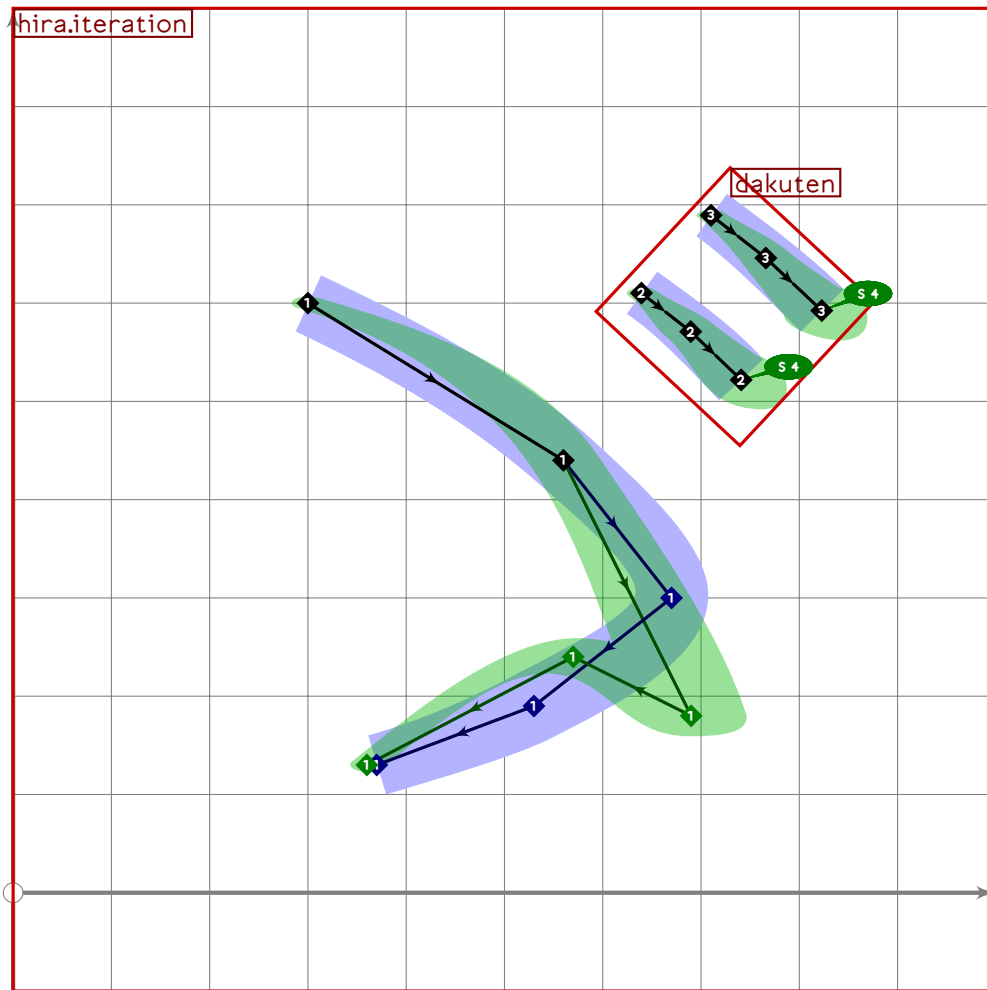


```

932 % handakuten alone
933 begintsuglyph("uni309C",156);
934 tsu_curve.handakuten((860,730));
935 tsu_render;
936 endsuglyph;
937
938 % hiragana "iteration mark"
939 begintsuglyph("uni309D",157);
940 tsu_curve.hira.iteration;
941 tsu_render;
942 endsuglyph;
943

```

[see page 92]



```

944 % hiragana "voiced iteration mark"
945 begintsuglyph("uni309E",158);
946 tsu_curve.hira.iteration;
947 tsu_curve.dakuten(identity rotated 7 shifted (720,610));
948 tsu_render;
949 endtsuglyph;

```

950

```

951 % hiragana "yori ligature"
952 begintsuglyph("uni309F",159);
953 tsu_curve.hira.yori;
954 tsu_render;
955 endtsuglyph;

```

[see page 93]

956

957

958

Katakana

```

959 % KATAKANA
960
961 % katakana double hyphen
962 begintsuglyph("uni30A0",160);

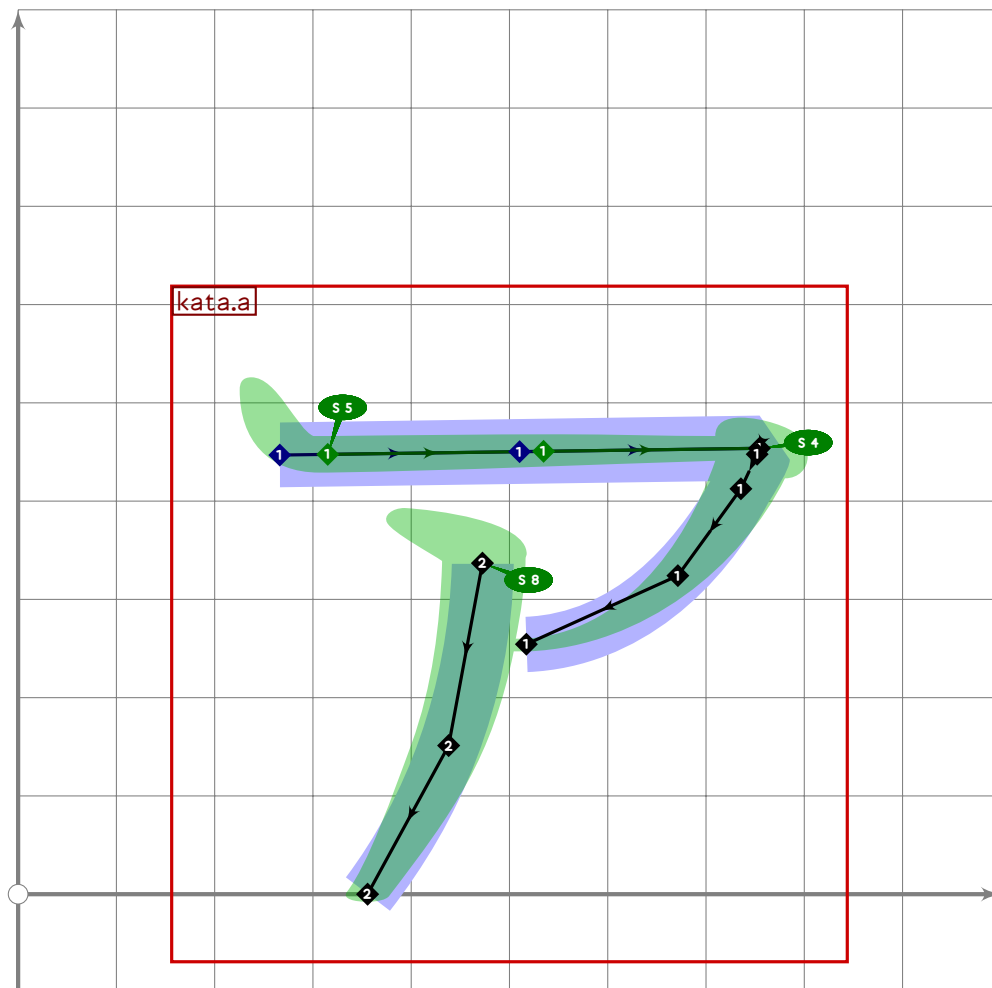
```

[see page 260]

```

963 tsu_curve.punct.dash.double_hyphen;
964 tsu_render;
965 endtsuglyph;
966

```

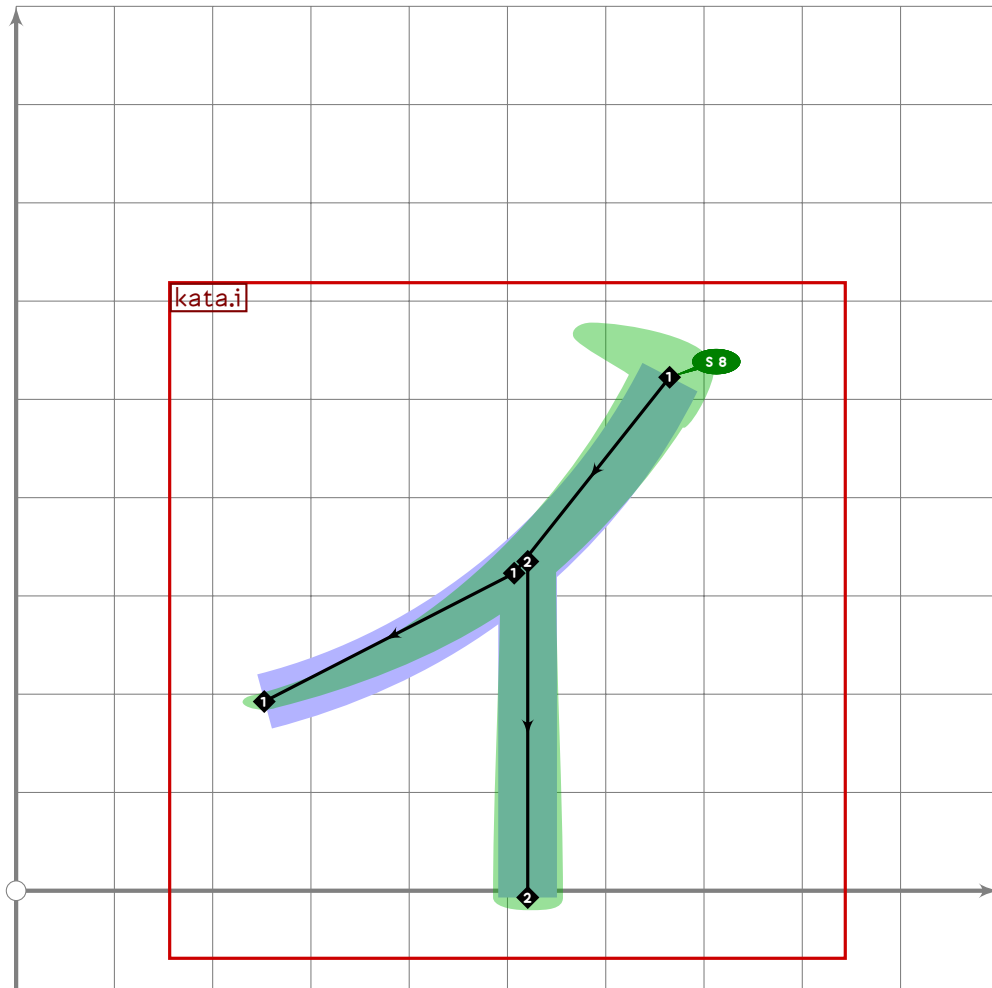


```

967 % katakana "small a"
968 begintsuglyph("uni30A1";161);
969 tsu_xform(tsu_xf.smallkana)(tsu_curve.kata.a);
970 tsu_render;
971 endtsuglyph;
972
973 % katakana "a"
974 begintsuglyph("uni30A2";162);
975 tsu_curve.kata.a;
976 tsu_render;
977 endtsuglyph;
978

```

[see page 96]

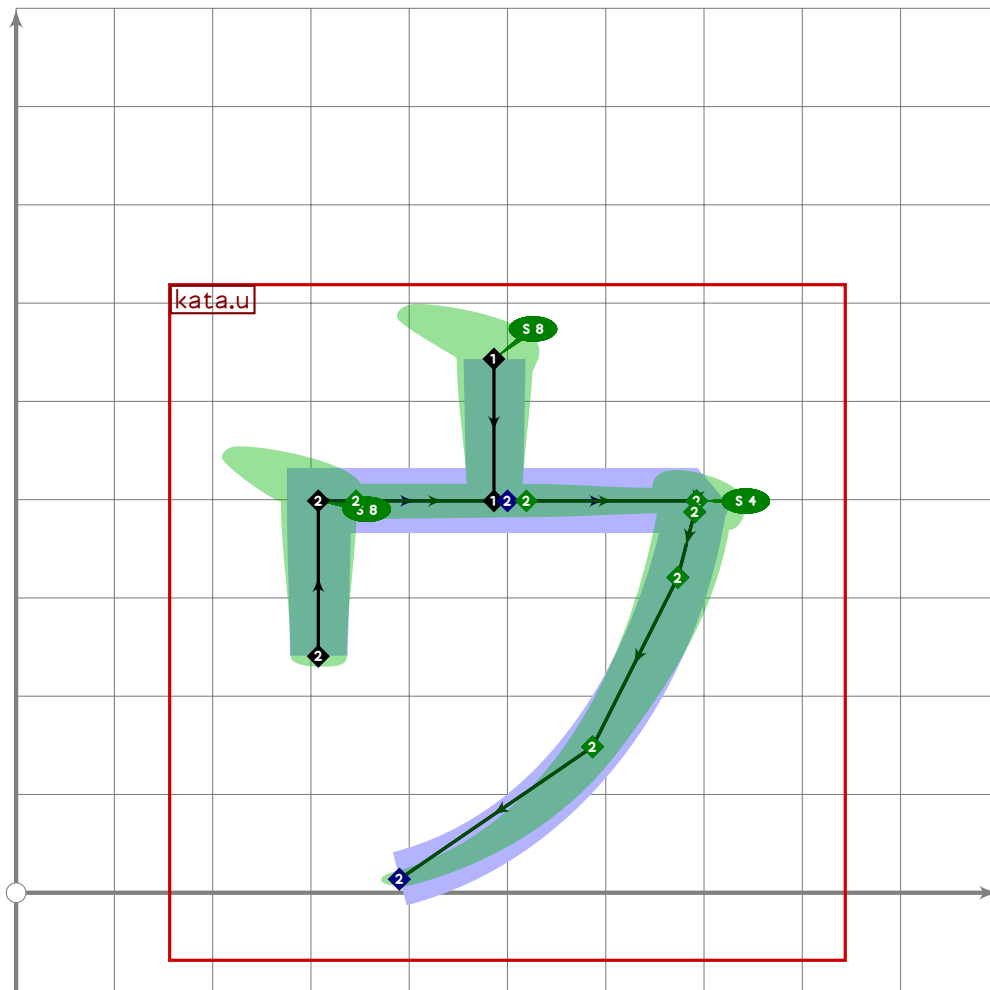


```

979 % katakana "small i"
980 beginsuglyph("uni30A3",163);
981 tsu_xform(tsu_xf.smallkana)(tsu_curve.kata.i);
982 tsu_render;
983 endsuglyph;
984
985 % katakana "i"
986 beginsuglyph("uni30A4",164);
987 tsu_curve.kata.i;
988 tsu_render;
989 endsuglyph;
990

```

[see page 97]

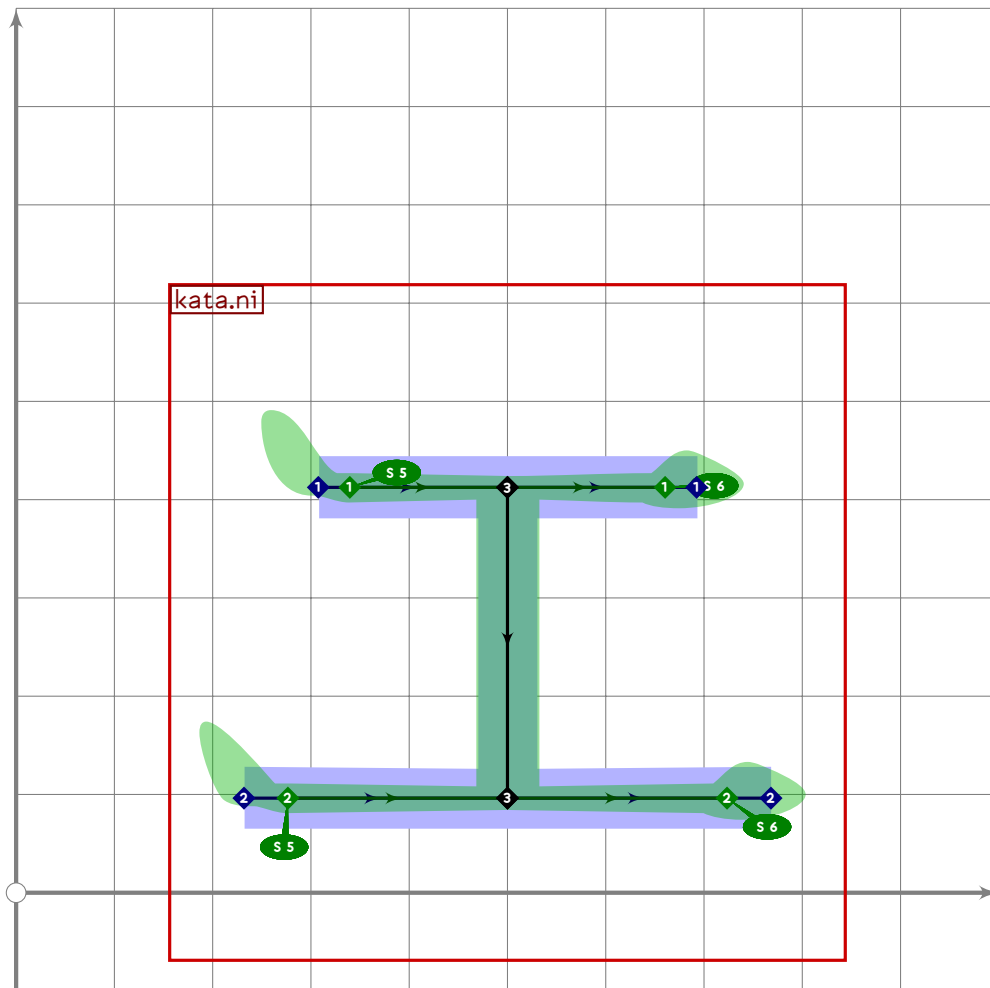


```

991 % katakana "small u"
992 begint Suglyph("uni30A5",165);
993 tsu_xform(tsu_xf.smallkana)(tsu_curve.kata.u);
994 tsu_render;
995 endtsuglyph;
996
997 % katakana "u"
998 begint Suglyph("uni30A6",166);
999 tsu_curve.kata.u;
1000 tsu_render;
1001 endtsuglyph;
1002

```

[see page 98]

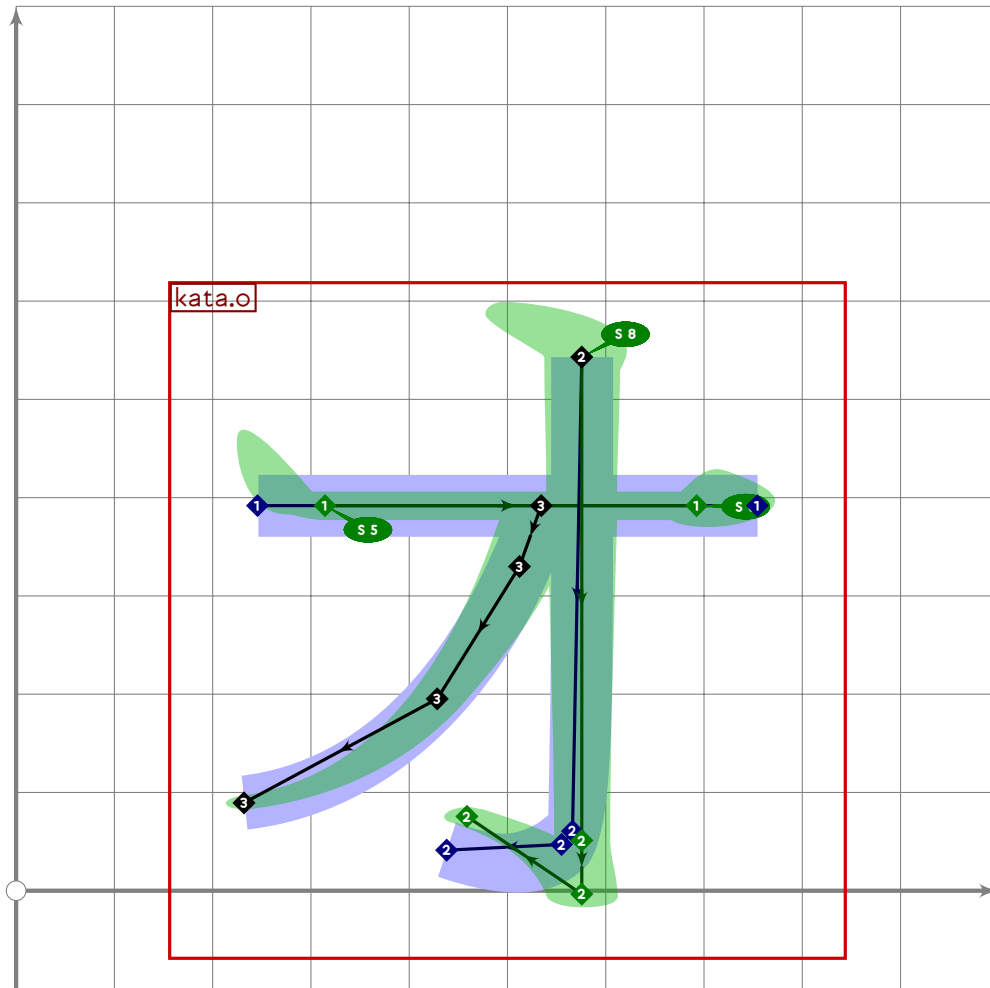


```

1003 % katakana "small e"
1004 begintsuglyph("uni30A7",167);
1005 tsu_xform(tsu_xf.smallkana)(tsu_curve.kata.e);
1006 tsu_render;
1007 endsuglyph;
1008
1009 % katakana "e"
1010 begintsuglyph("uni30A8",168);
1011 tsu_curve.kata.e;
1012 tsu_render;
1013 endsuglyph;
1014

```

[see page 99]



```

1015 % katakana "small o"
1016 begintsuglyph("uni30A9",169);
1017 tsu_xform(tsu_xf.smallkana)(tsu_curve.kata.o);
1018 tsu_render;
1019 endtsuglyph;

```

1020

```

1021 % katakana "o"
1022 begintsuglyph("uni30AA",170);
1023 tsu_curve.kata.o;
1024 tsu_render;
1025 endtsuglyph;

```

[see page 100]

1026

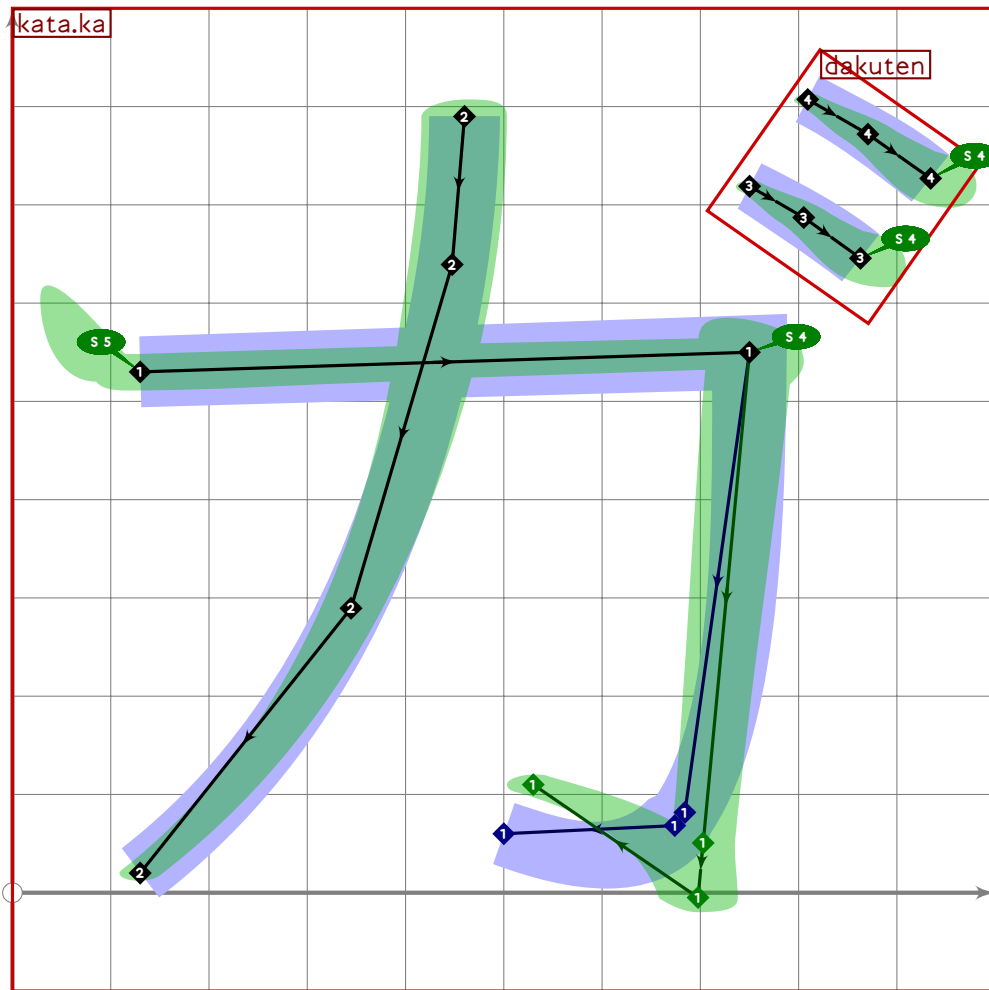
```

1027 % katakana "ka"
1028 begintsuglyph("uni30AB",171);
1029 tsu_curve.kata.ka;
1030 tsu_render;
1031 endtsuglyph;

```

[see page 101]

1032

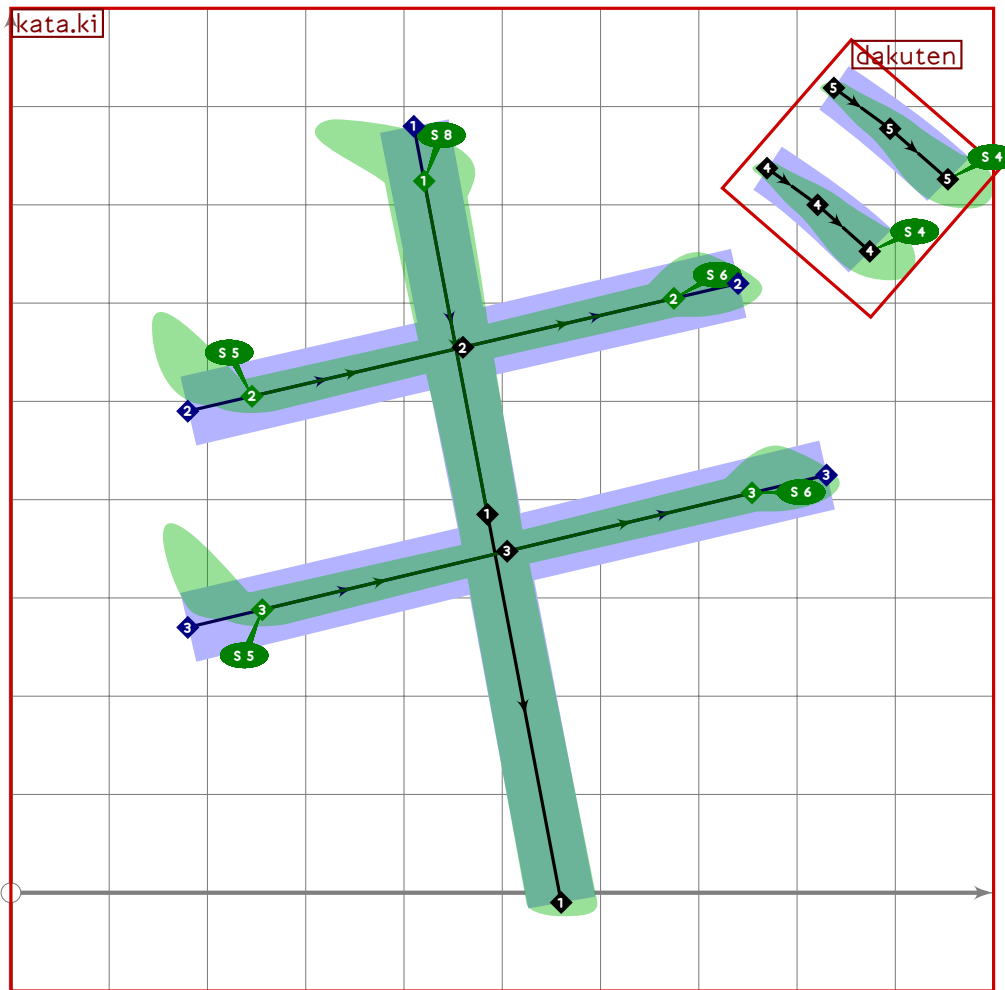


```

1033 % katakana "ga"
1034 beginsuglyph("uni30AC";172);
1035 tsu_curve.kata.ka;
1036 tsu_curve.dakuten(identity rotated 15 shifted (830,730));
1037 tsu_render;
1038 endsuglyph;
1039
1040 % katakana "ki"
1041 beginsuglyph("uni30AD";173);
1042 tsu_curve.kata.ki;
1043 tsu_render;
1044 endsuglyph;
1045

```

[see page 102]

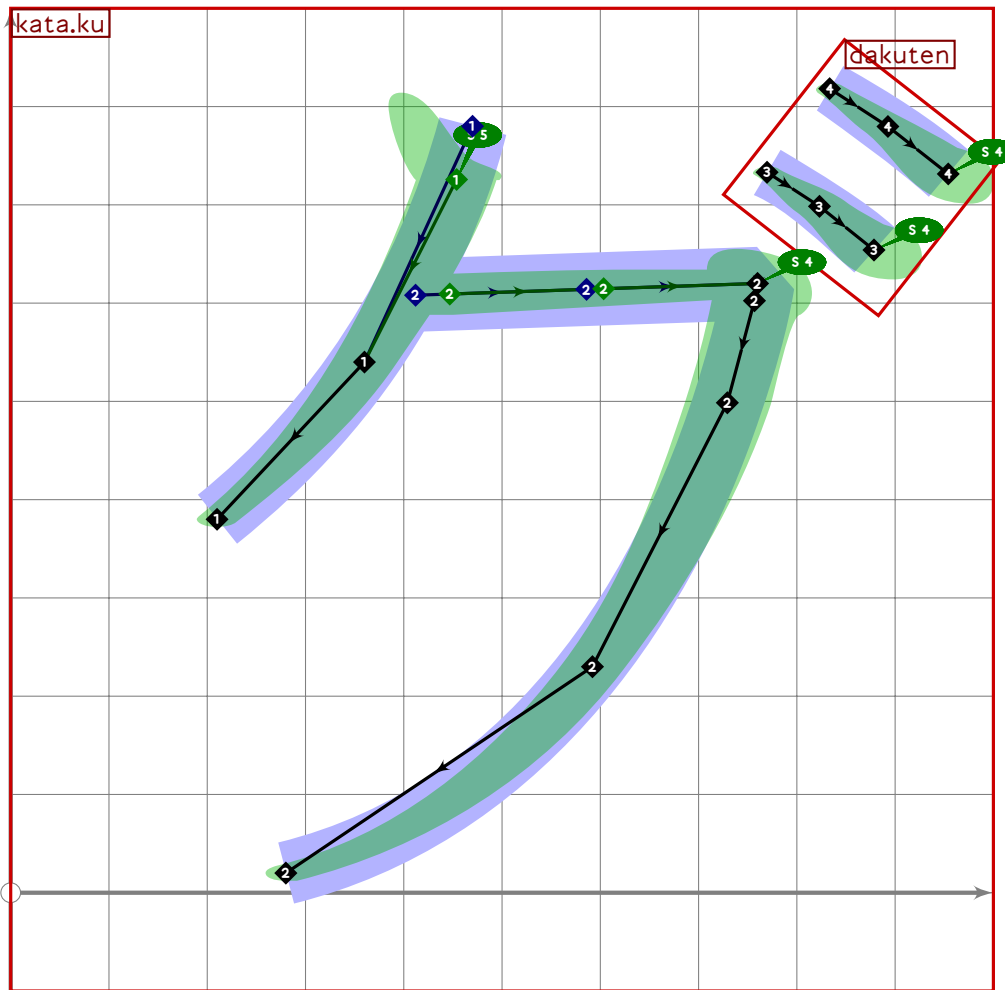


```

1046 % katakana "gi"
1047 begint Suglyph("uni30AE";174);
1048   tsu_curve.kata.ki;
1049   tsu_curve.dakuten(identity rotated 9 shifted (850,740));
1050   tsu_render;
1051 endsuglyph;
1052
1053 % katakana "ku"
1054 begint Suglyph("uni30AF";175);
1055   tsu_curve.kata.ku;
1056   tsu_render;
1057 endsuglyph;
1058

```

[see page 103]

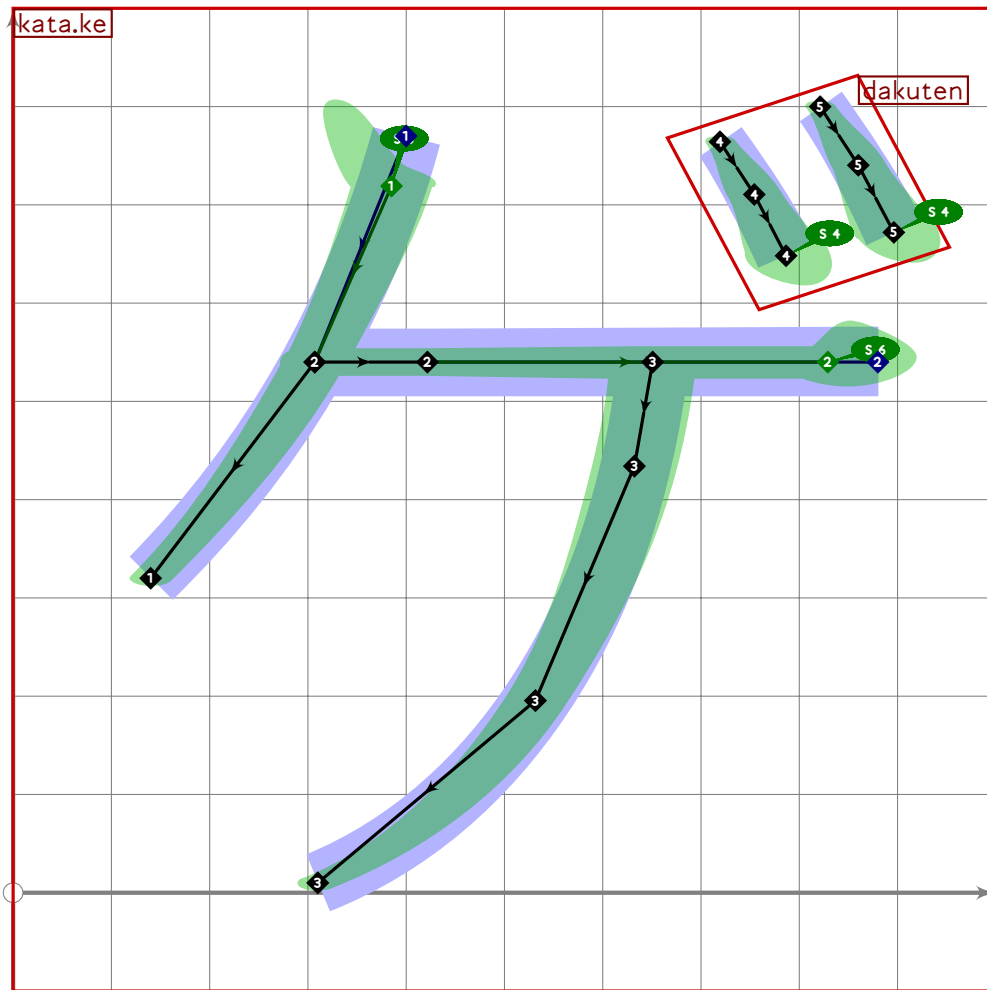


```

1059 % katakana "gu"
1060 begint Suglyph("uni30B0";176);
1061   tsu_curve.kata.ku;
1062   tsu_curve.dakuten(identity rotated 12 shifted (850,740));
1063   tsu_render;
1064 endtsuglyph;
1065
1066 % katakana "ke"
1067 begint Suglyph("uni30B1";177);
1068   tsu_curve.kata.ke;
1069   tsu_render;
1070 endtsuglyph;
1071

```

[see page 104]

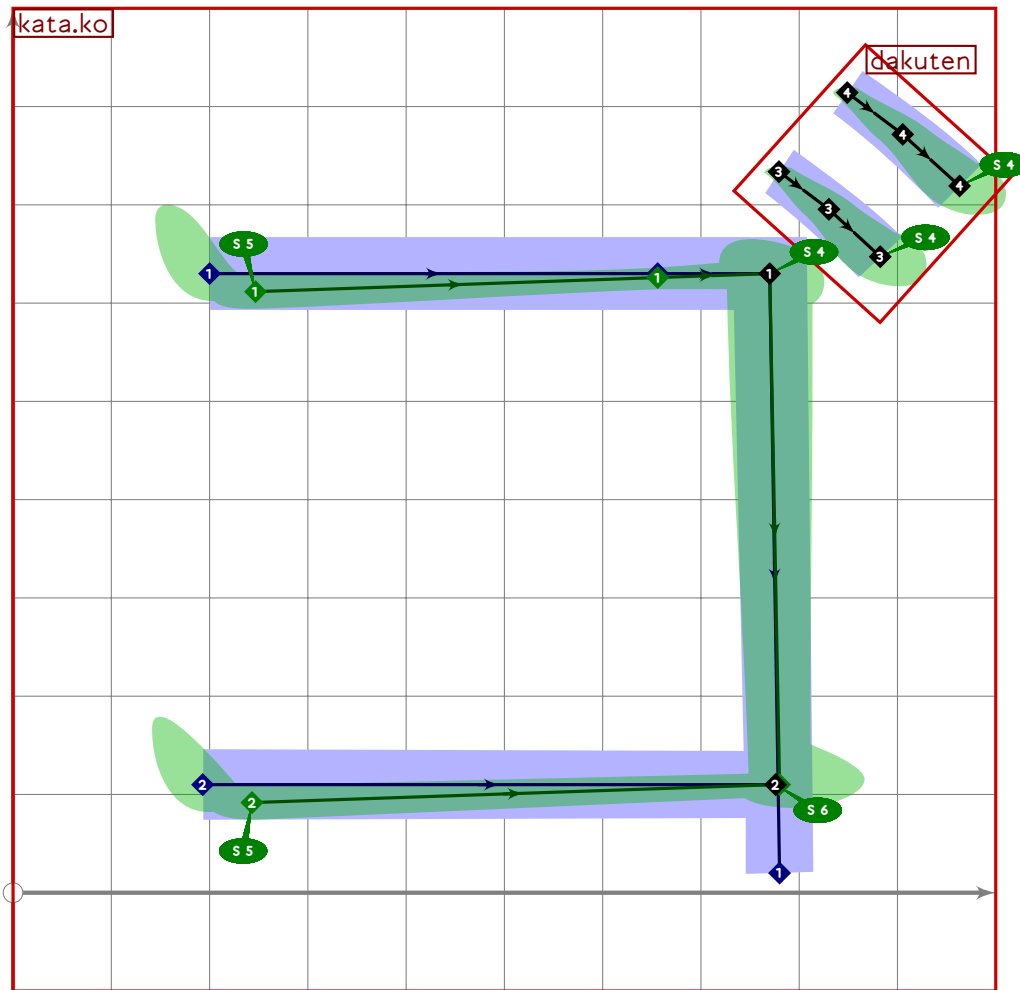


```

1072 % katakana "ge"
1073 begint Suglyph("uni30B2",178);
1074 tsu_curve.kata.ke;
1075 tsu_curve.dakuten(identity
1076     rotated -20 slanted -0.1 xyscaled (1.07,0.93) shifted (800,730));
1077 tsu_render;
1078 endtsuglyph;
1079
1080 % katakana "ko"
1081 begint Suglyph("uni30B3",179);
1082 tsu_curve.kata.ko;
1083 tsu_render;
1084 endtsuglyph;
1085

```

[see page 105]

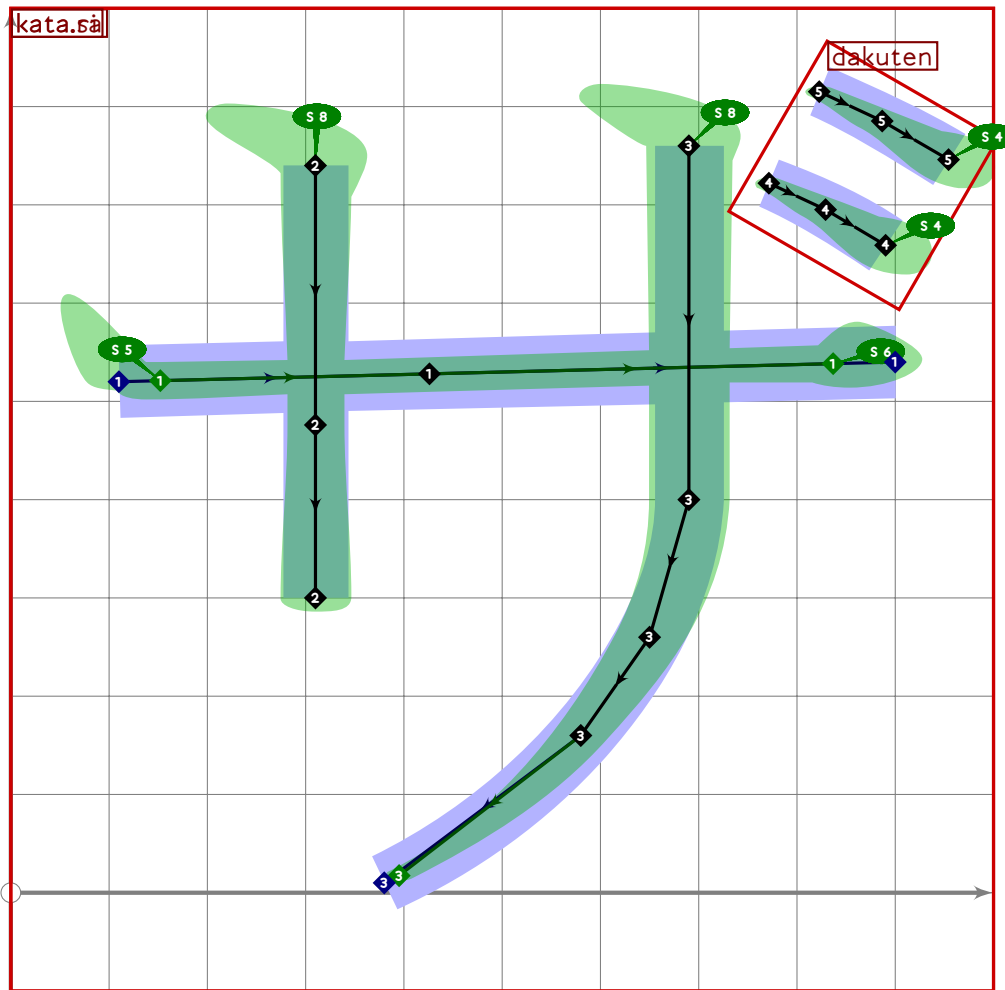


```

1086 % katakana "go"
1087 begint Suglyph("uni30B4",180);
1088   tsu_curve.kata.ko;
1089   bo_tip1[1]:=0;
1090   tsu_curve.dakuten(identity rotated 8 shifted (860,735));
1091   tsu_render;
1092 endtsuglyph;
1093
1094 % katakana "sa"
1095 begint Suglyph("uni30B5",181);
1096   tsu_curve.kata.sa;
1097   tsu_render;
1098 endtsuglyph;
1099

```

[see page 106]

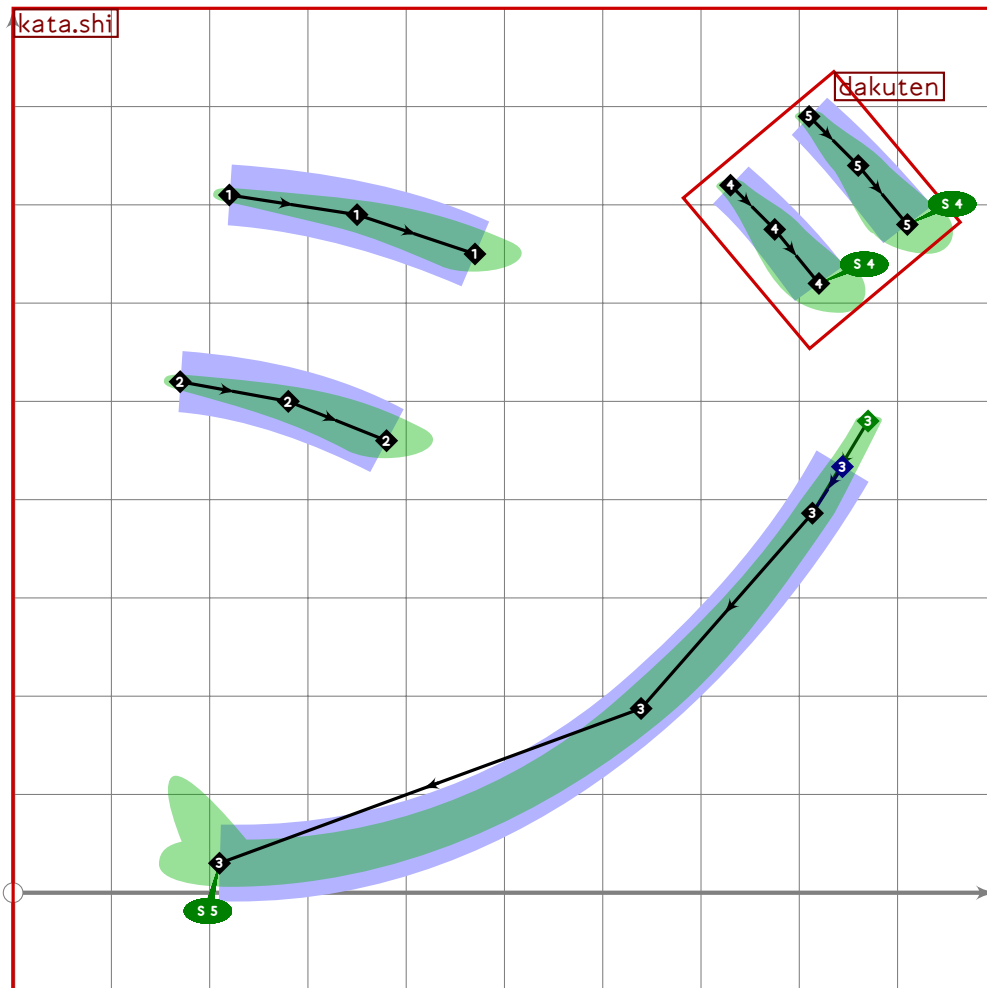


```

1100 % katakana "za"
1101 begint Suglyph("uni30B6",182);
1102 tsu_curve.kata.sa;
1103 tsu_curve.dakuten(identity rotated 20 shifted (850,740));
1104 tsu_render;
1105 endtsuglyph;
1106
1107 % katakana "shi"
1108 begint Suglyph("uni30B7",183);
1109 tsu_curve.kata.shi;
1110 tsu_render;
1111 endtsuglyph;
1112

```

[see page 107]

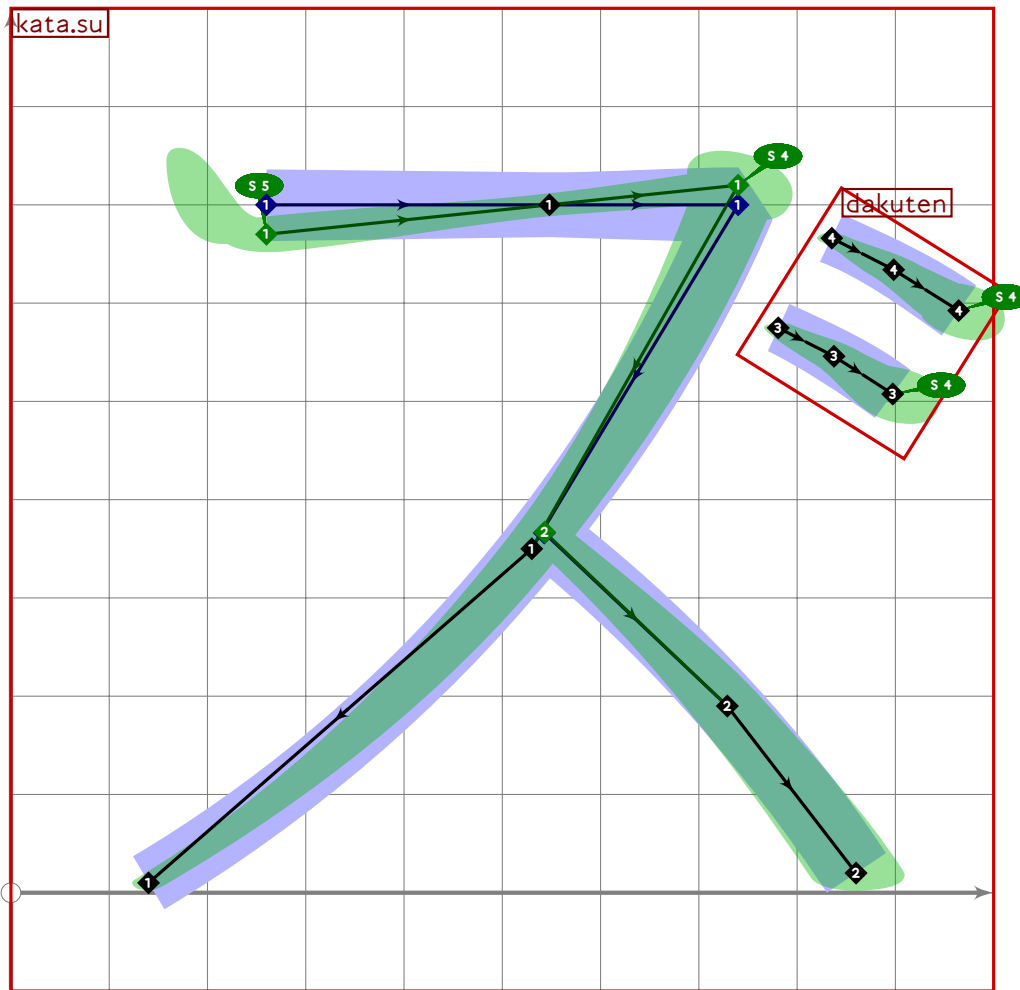


```

1113 % katakana "ji"
1114 begint Suglyph("uni30B8",184);
1115 tsu_curve.kata.shi;
1116 tsu_curve.dakuten(identity shifted (810,710));
1117 tsu_render;
1118 endtsuglyph;
1119
1120 % katakana "su"
1121 begint Suglyph("uni30B9",185);
1122 tsu_curve.kata.su;
1123 tsu_render;
1124 endtsuglyph;
1125

```

[see page 108]

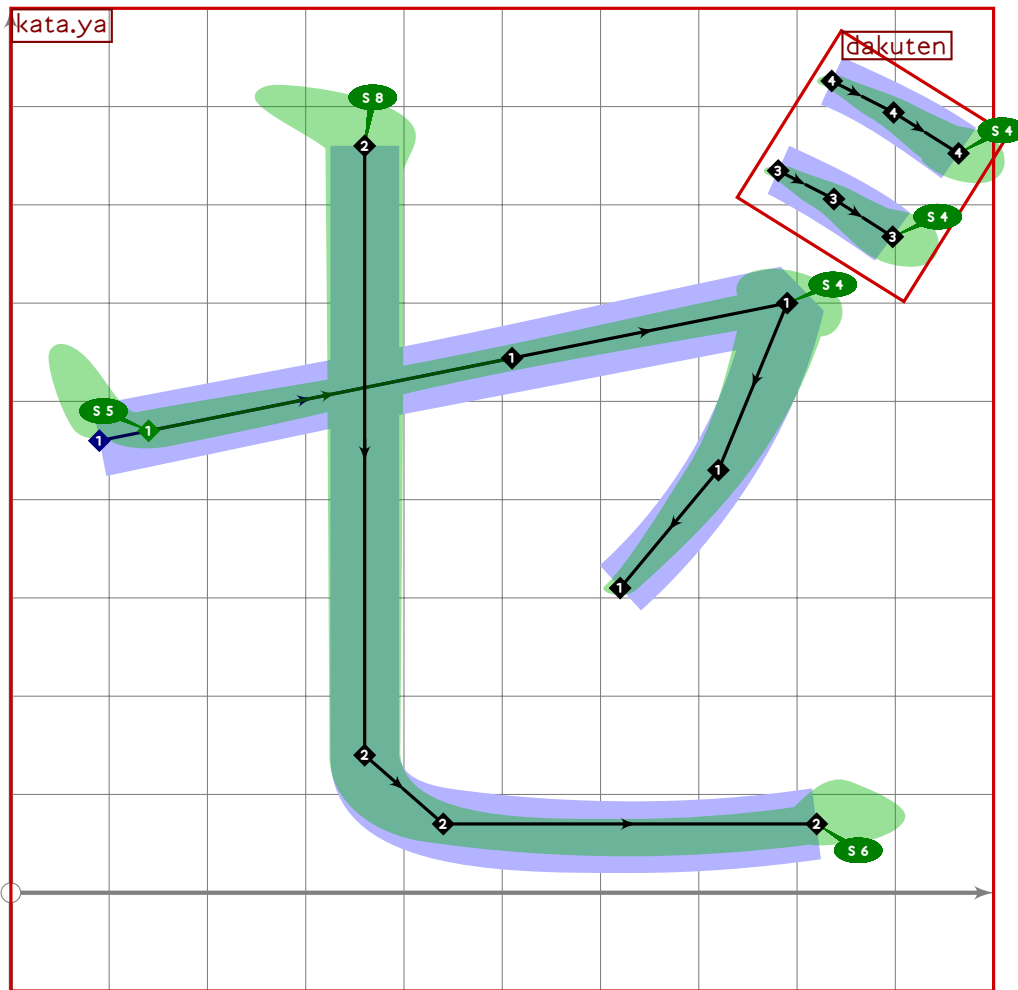


```

1126 % katakana "zu"
1127 begint Suglyph("uni30BA",186);
1128 tsu_curve.kata.su;
1129 tsu_curve.dakuten(identity rotated 18 shifted (860,590));
1130 tsu_render;
1131 endtsuglyph;
1132
1133 % katakana "se"
1134 begint Suglyph("uni30BB",187);
1135 tsu_curve.kata.se;
1136 tsu_render;
1137 endtsuglyph;
1138

```

[see page 109]

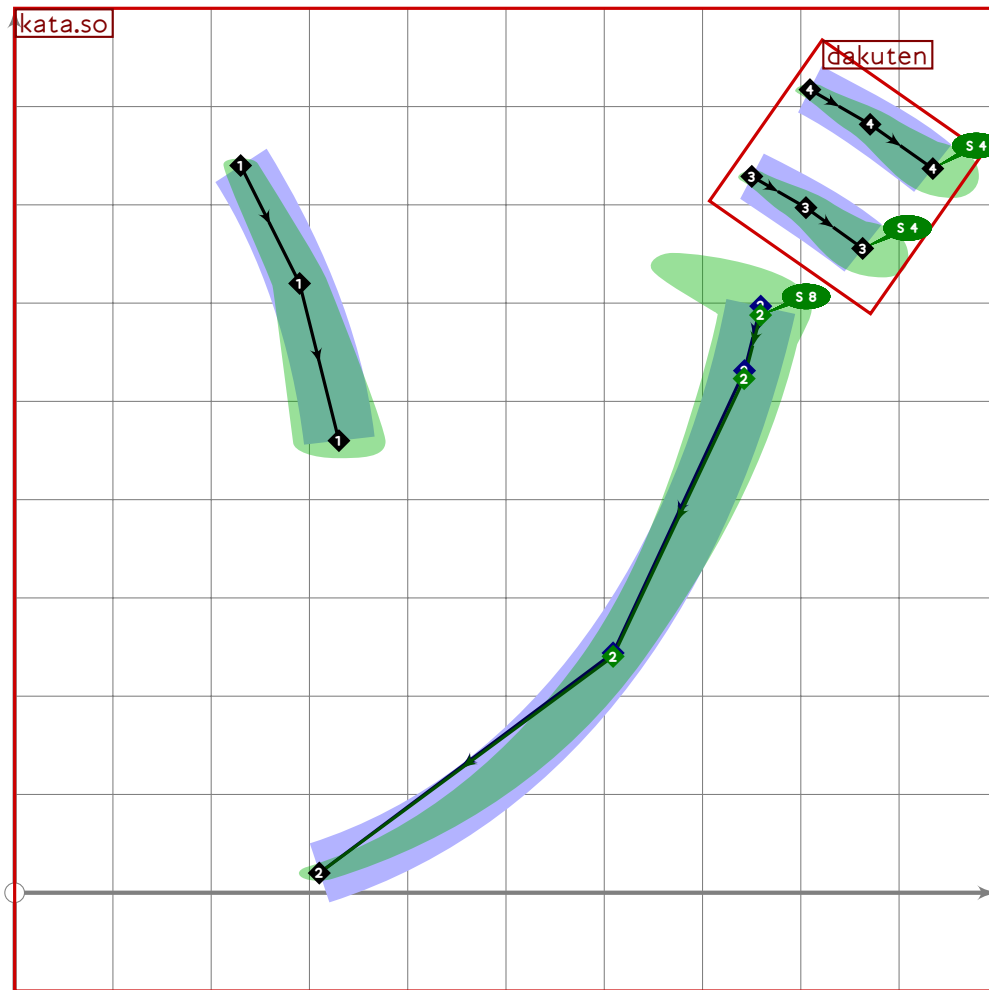


```

1139 % katakana "ze"
1140 begint Suglyph("uni30BC";188);
1141   tsu_curve.kata.se;
1142   tsu_curve.dakuten(identity rotated 18 shifted (860,750));
1143   tsu_render;
1144 endtsuglyph;
1145
1146 % katakana "so"
1147 begint Suglyph("uni30BD";189);
1148   tsu_curve.kata.so;
1149   tsu_render;
1150 endtsuglyph;
1151

```

[see page 110]

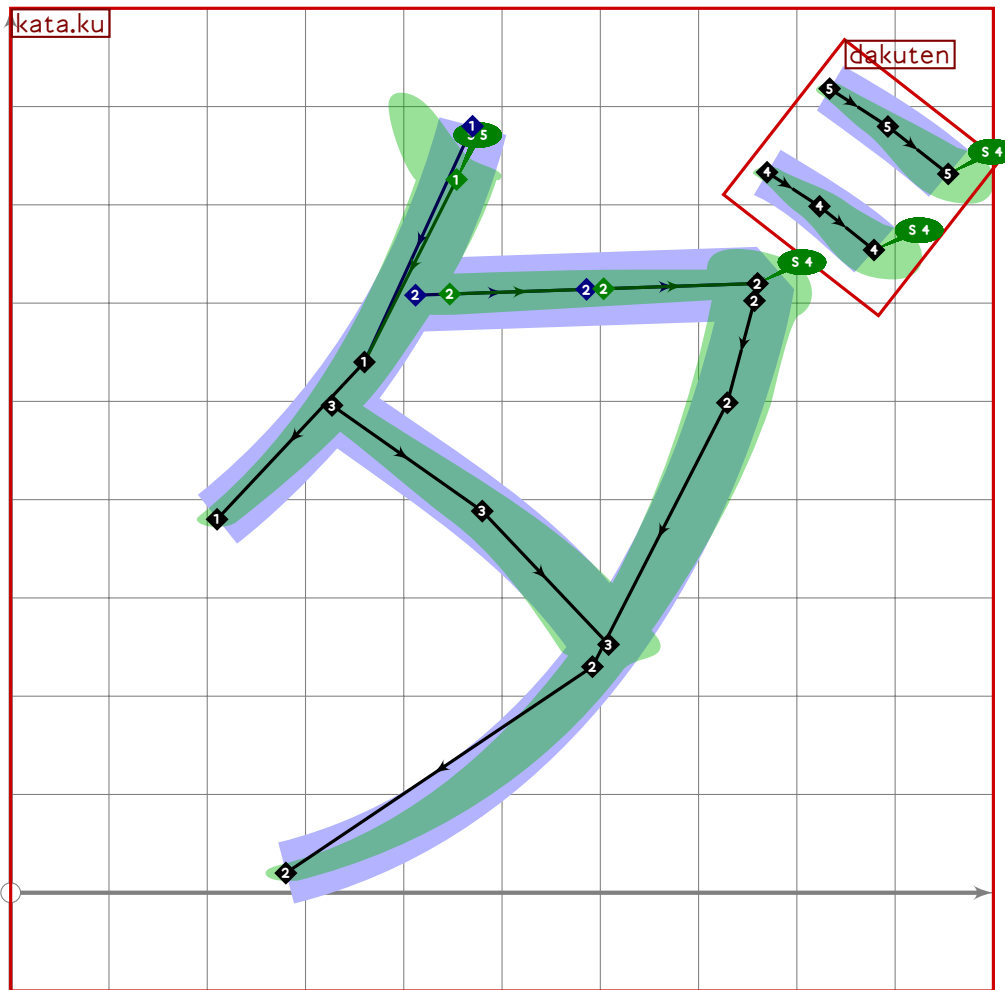


```

1152 % katakana "zo"
1153 begint Suglyph("uni30BE";190);
1154 tsu_curve.kata.so;
1155 bp2:=subpath (0.5,infinity) of bp2;
1156 tsu_curve.dakuten(identity rotated 15 shifted (830,740));
1157 tsu_render;
1158 endtsuglyph;
1159
1160 % katakana "ta"
1161 begint Suglyph("uni30BF";191);
1162 tsu_curve.kata.ta;
1163 tsu_render;
1164 endtsuglyph;
1165

```

[see page 111]

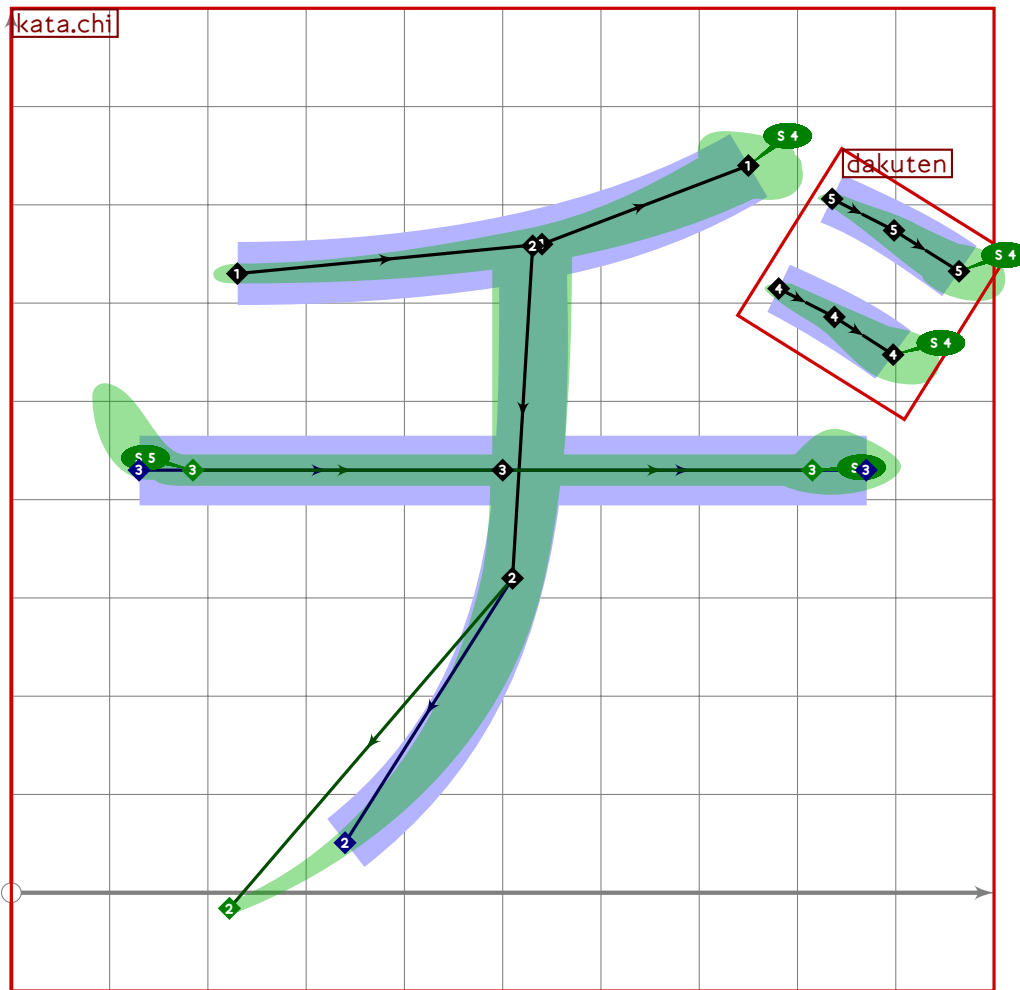


```

1166 % katakana "da"
1167 begint Suglyph("uni30C0";192);
1168 tsu_curve.kata.ta;
1169 tsu_curve.dakuten(identity rotated 12 shifted (850,740));
1170 tsu_render;
1171 endtsuglyph;
1172
1173 % katakana "chi"
1174 begint Suglyph("uni30C1";193);
1175 tsu_curve.kata.chi;
1176 tsu_render;
1177 endtsuglyph;
1178

```

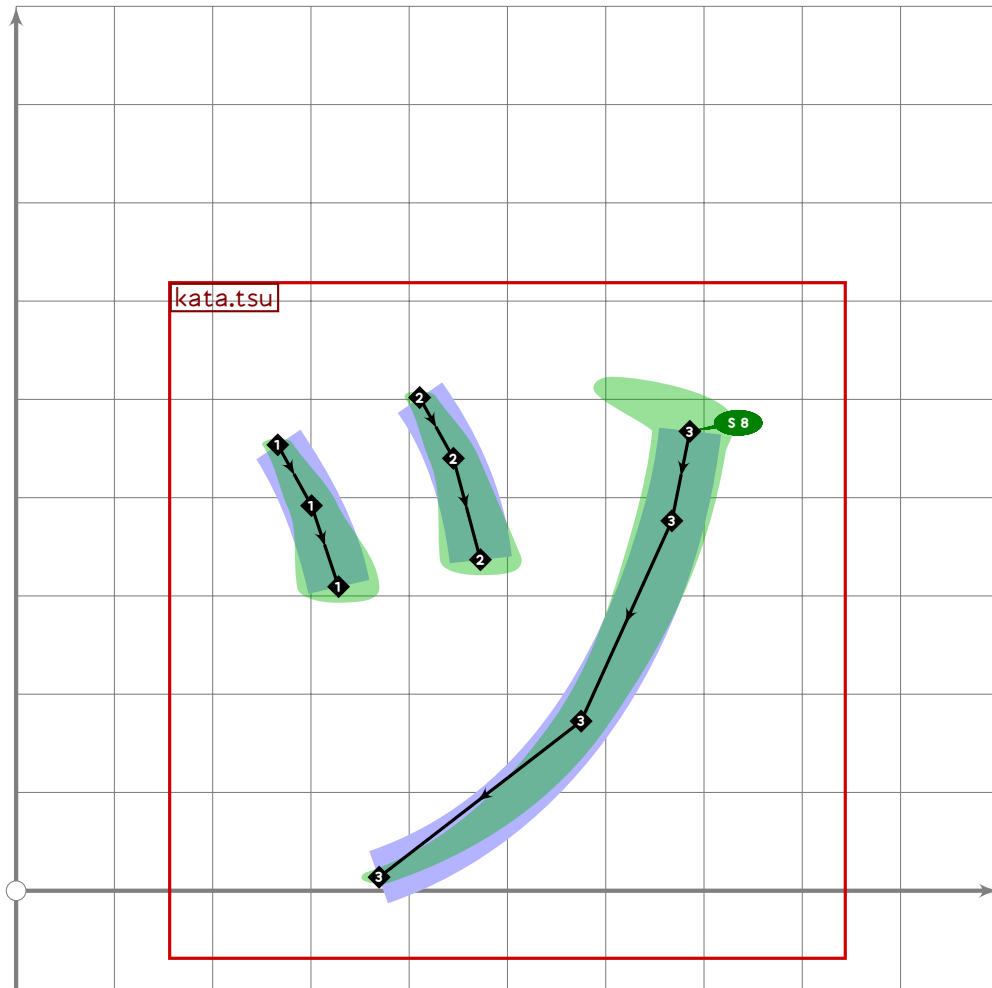
[see page 112]



```

1179 % katakana "dji"
1180 begint Suglyph("uni30C2",194);
1181 tsu_curve.kata.chi;
1182 tsu_curve.dakuten(identity rotated 18 shifted (860,630));
1183 tsu_render;
1184 endtsuglyph;
1185

```

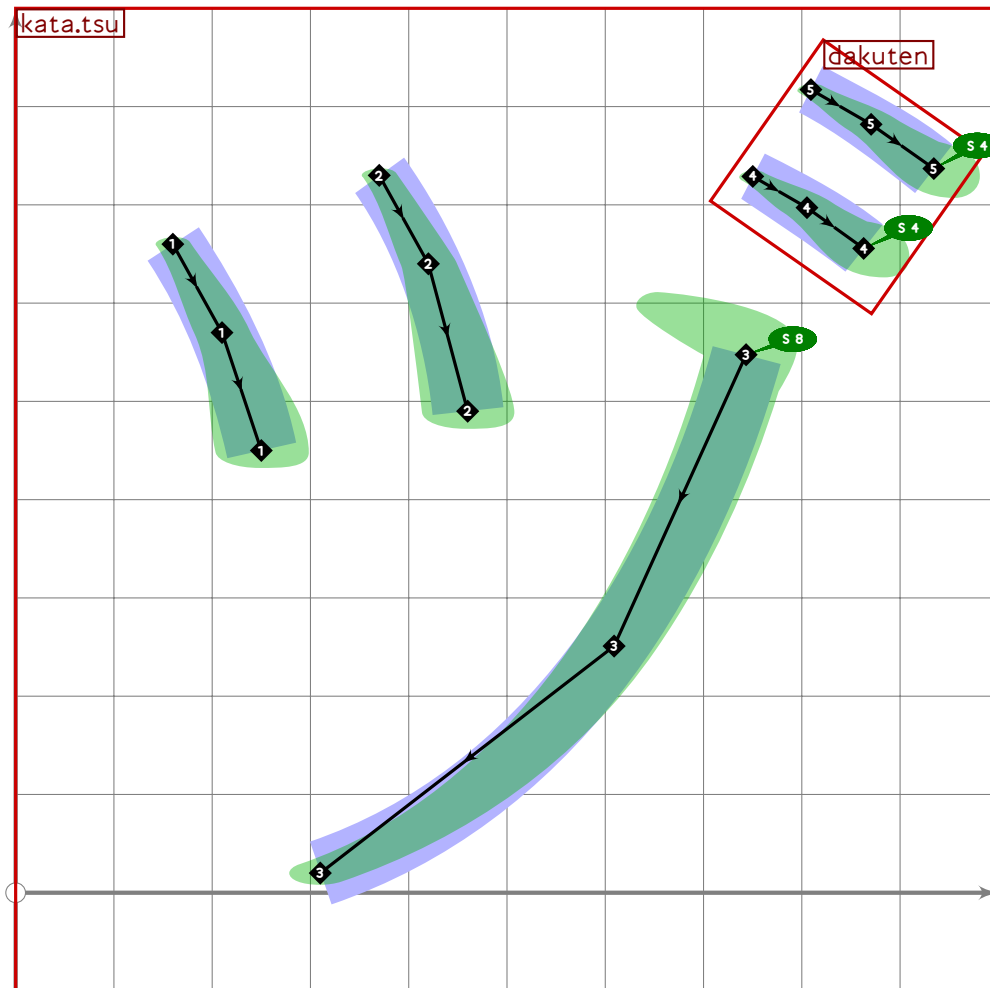



```

1186 % katakana "small tsu"
1187 begintsuglyph("uni30C3";195);
1188 tsu_xform(tsu_xf.smallkana)(tsu_curve.kata.tsu);
1189 tsu_render;
1190 endsuglyph;
1191
1192 % katakana "tsu"
1193 begintsuglyph("uni30C4";196);
1194 tsu_curve.kata.tsu;
1195 tsu_render;
1196 endsuglyph;
1197

```

[see page 113]

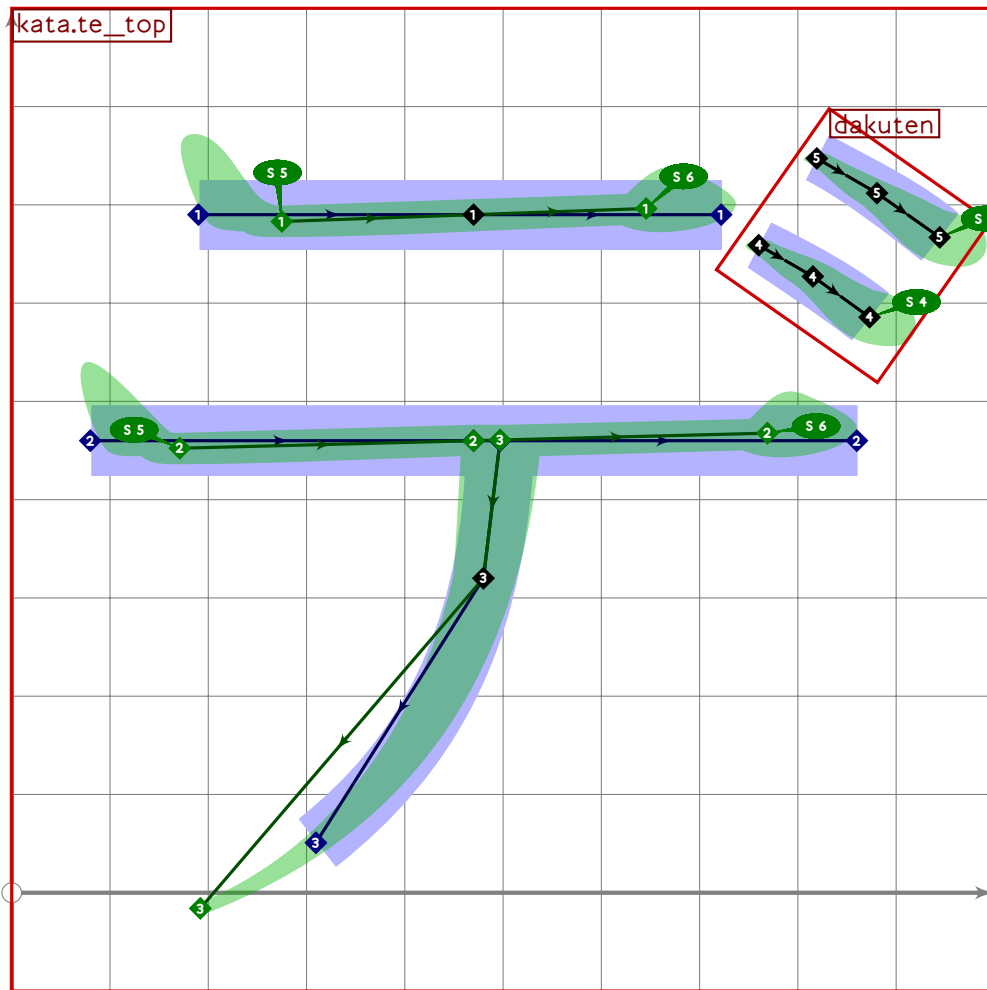


```

1198 % katakana "dzu"
1199 begint Suglyph("uni30C5";197);
1200 tsu_curve.kata.tsu;
1201 bp3:=subpath (1,infinity) of bp3;
1202 tsu_curve.dakuten(identity rotated 15 shifted (830,740));
1203 tsu_render;
1204 endtsuglyph;
1205
1206 % katakana "te"
1207 begint Suglyph("uni30C6";198);
1208 tsu_curve.kata.te;
1209 tsu_render;
1210 endtsuglyph;
1211

```

[see page 114]

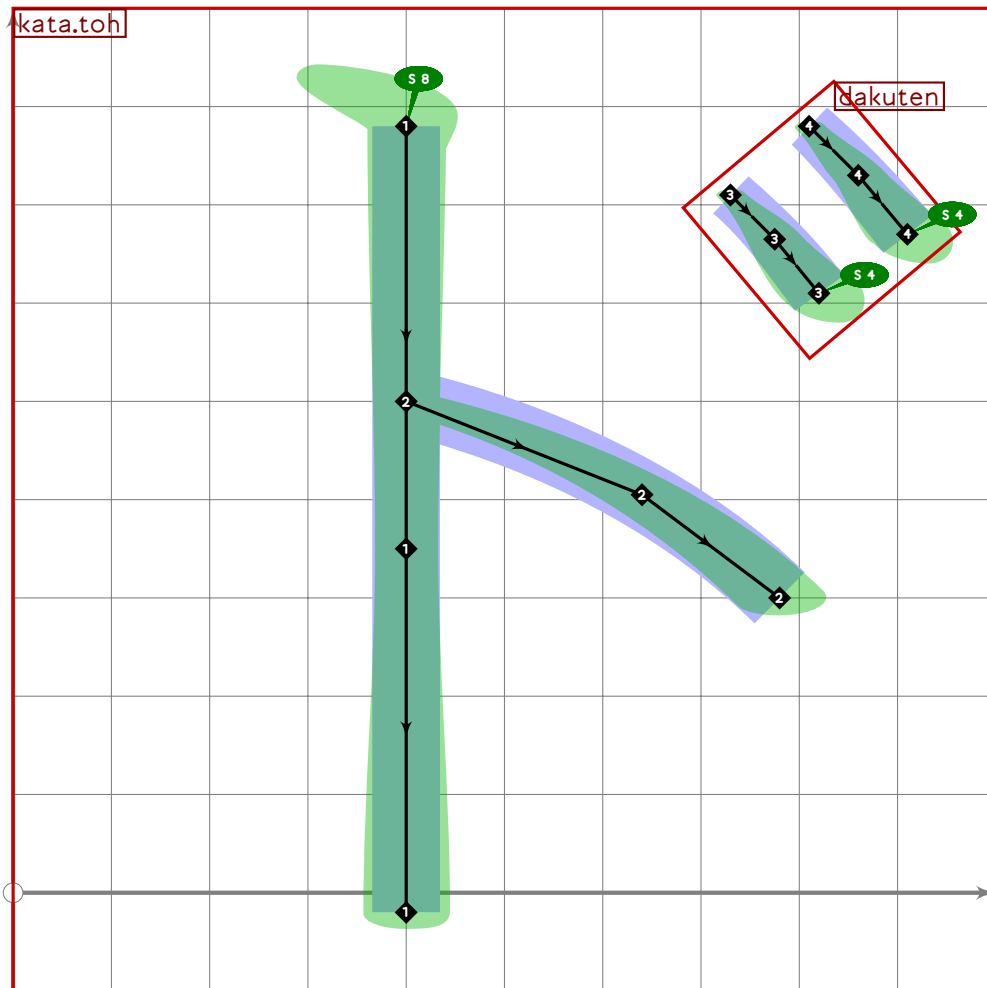


```

1212 % katakana "de"
1213 \begin{suglyph}{\uni30C7;199};
1214   \tsu_curve.kata.te;
1215   bp1:=(subpath (0,1,9) of bp1) shifted (-30,0);
1216   bp2:=bp2 shifted (-30,0);
1217   bp3:=bp3 shifted (-30,0);
1218   \tsu_curve.dakuten(identity rotated 15 shifted (840,670));
1219   \tsu_render;
1220 \end{suglyph};
1221
1222 % katakana "to"
1223 \begin{suglyph}{\uni30C8;200};
1224   \tsu_curve.kata.toh;
1225   \tsu_render;
1226 \end{suglyph};
1227

```

[see page 115]



```

1228 % katakana "do"
1229 begintsuglyph("uni30C9";201);
1230 tsu_curve.kata.toh;
1231 tsu_curve.dakuten(identity shifted (810,700));
1232 tsu_render;
1233 endtsuglyph;

```

1234

```

1235 % katakana "na"
1236 begintsuglyph("uni30CA";202);
1237 tsu_curve.kata.na;
1238 tsu_render;
1239 endtsuglyph;

```

[see page 116]

1240

```

1241 % katakana "ni"
1242 begintsuglyph("uni30CB";203);
1243 tsu_curve.kata.ni;
1244 tsu_render;
1245 endtsuglyph;

```

[see page 117]

1246

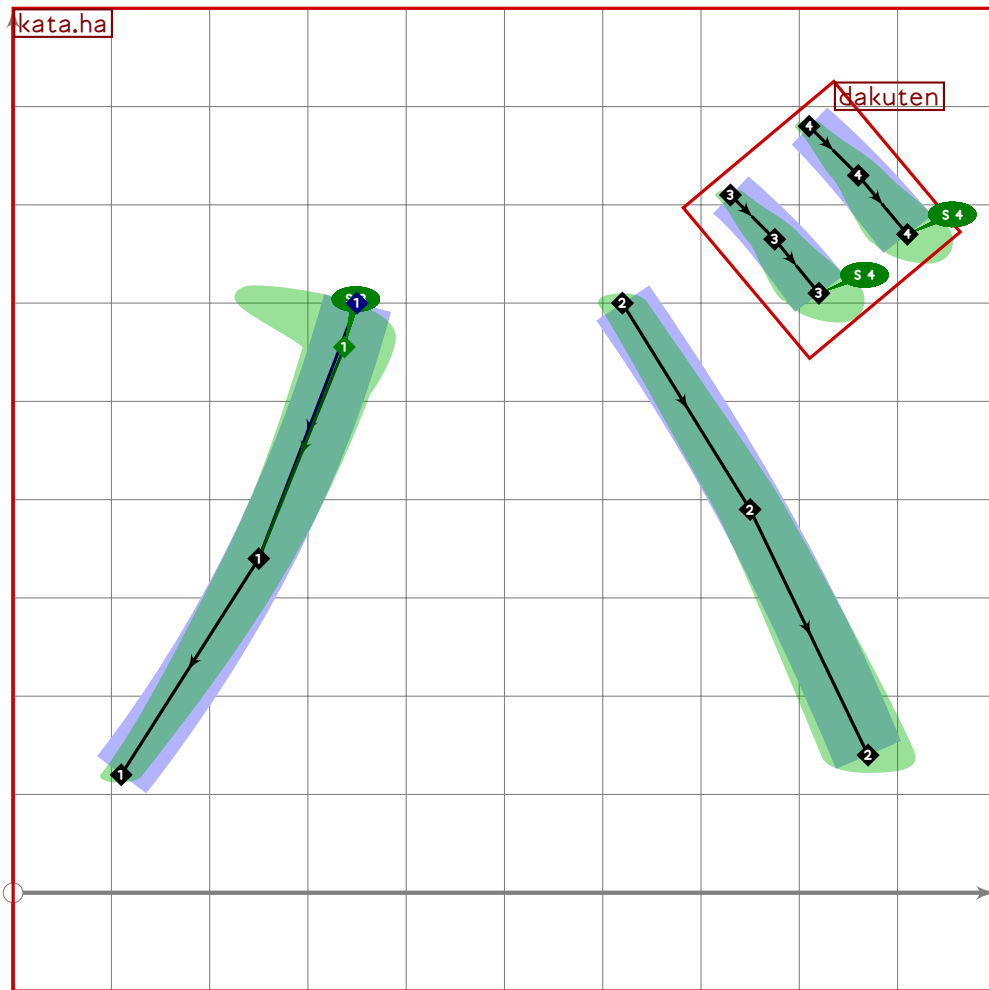
```

1247 % katakana "nu"
1248 begintsuglyph("uni30CC";204);

```

[see page 118]

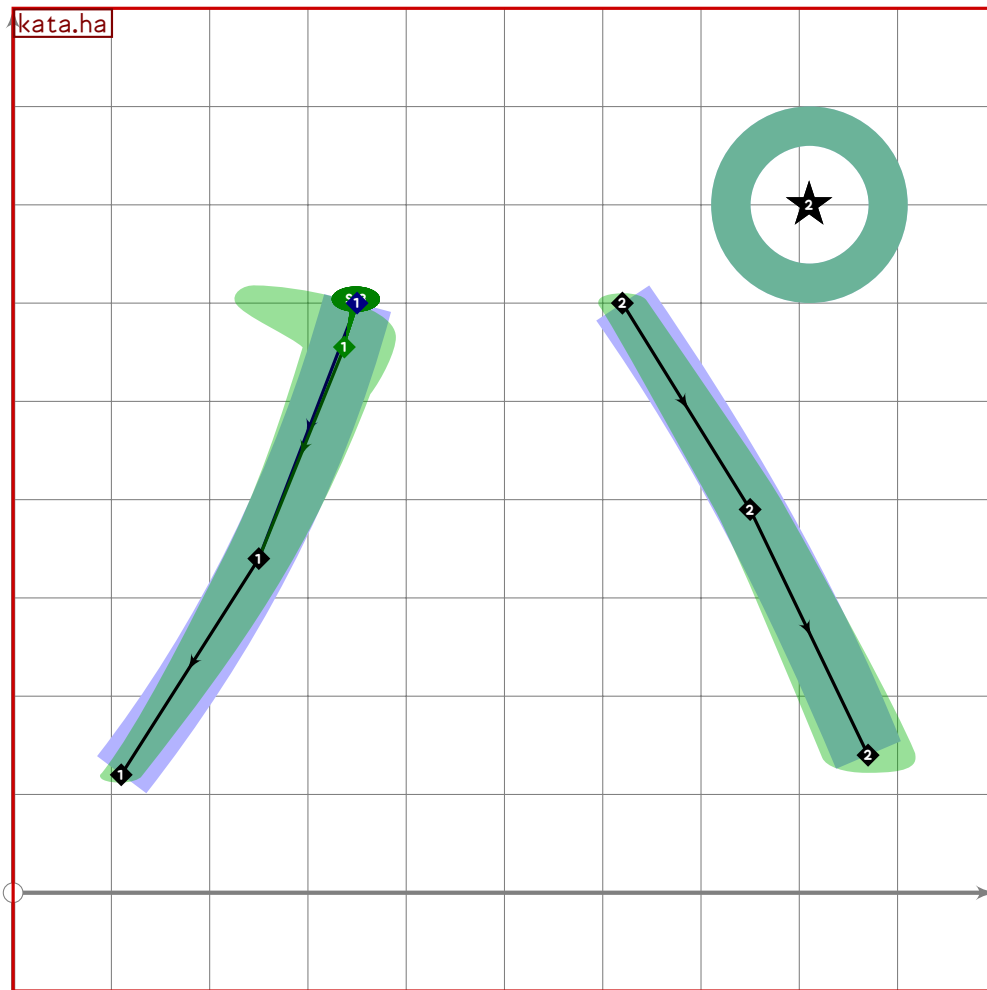
```
1249 tsu_curve.kata.nu;
1250 tsu_render;
1251 endtsuglyph;
1252
1253 % katakana "ne"
1254 begintsuglyph("uni30CD";205); [see page 119]
1255 tsu_curve.kata.ne;
1256 tsu_render;
1257 endtsuglyph;
1258
1259 % katakana "no"
1260 begintsuglyph("uni30CE";206); [see page 120]
1261 tsu_curve.kata.no;
1262 tsu_render;
1263 endtsuglyph;
1264
1265 % katakan "ha"
1266 begintsuglyph("uni30CF";207); [see page 121]
1267 tsu_curve.kata.ha;
1268 tsu_render;
1269 endtsuglyph;
1270
```



```

1271 % katakan "ba"
1272 beginsuglyph("uni30D0";208);
1273 tsu_curve.kata.ha;
1274 tsu_curve.dakuten(identity shifted (810,700));
1275 tsu_render;
1276 endsuglyph;
1277

```

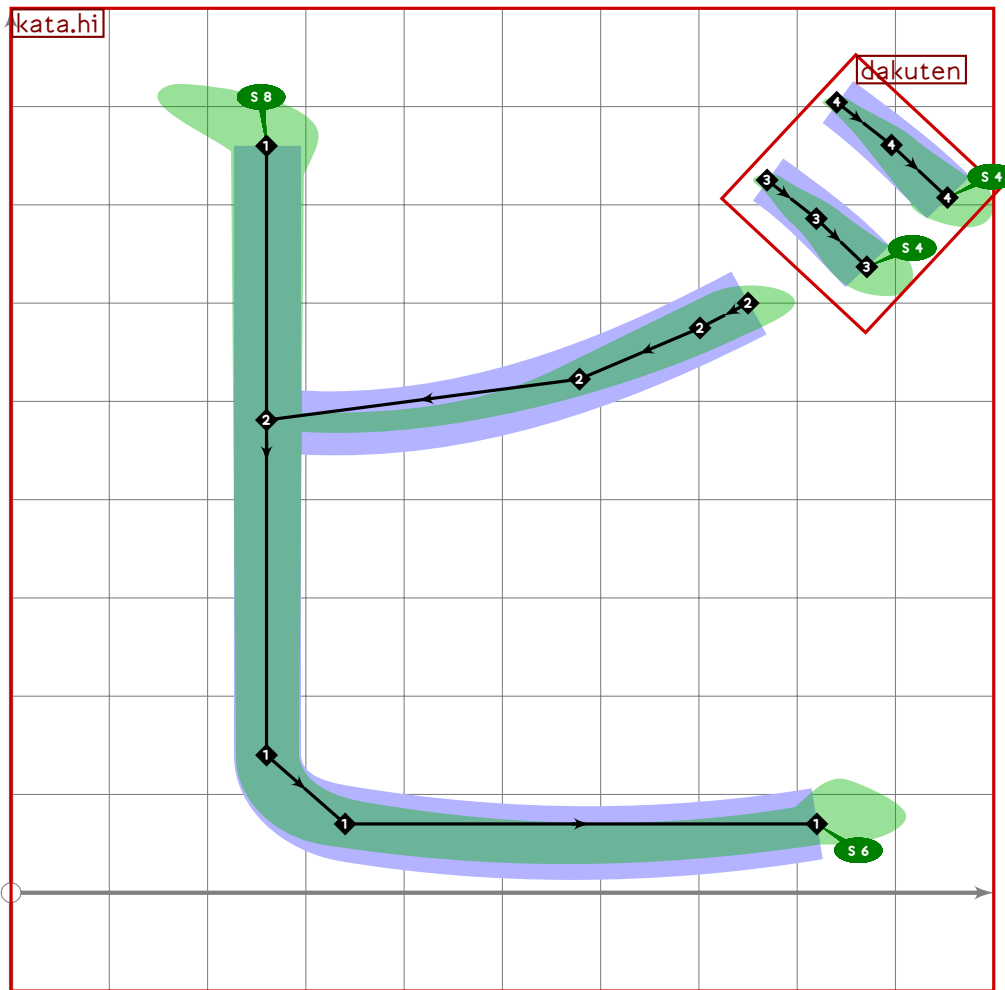


```

1278 % katakan "pa"
1279 begint Suglyph("uni30D1";209);
1280 tsu_curve.kata.ha;
1281 tsu_curve.handakuten((810,700));
1282 tsu_render;
1283 endtsuglyph;
1284
1285 % hiragana "hi"
1286 begint Suglyph("uni30D2";210);
1287 tsu_curve.kata.hi;
1288 tsu_render;
1289 endtsuglyph;
1290

```

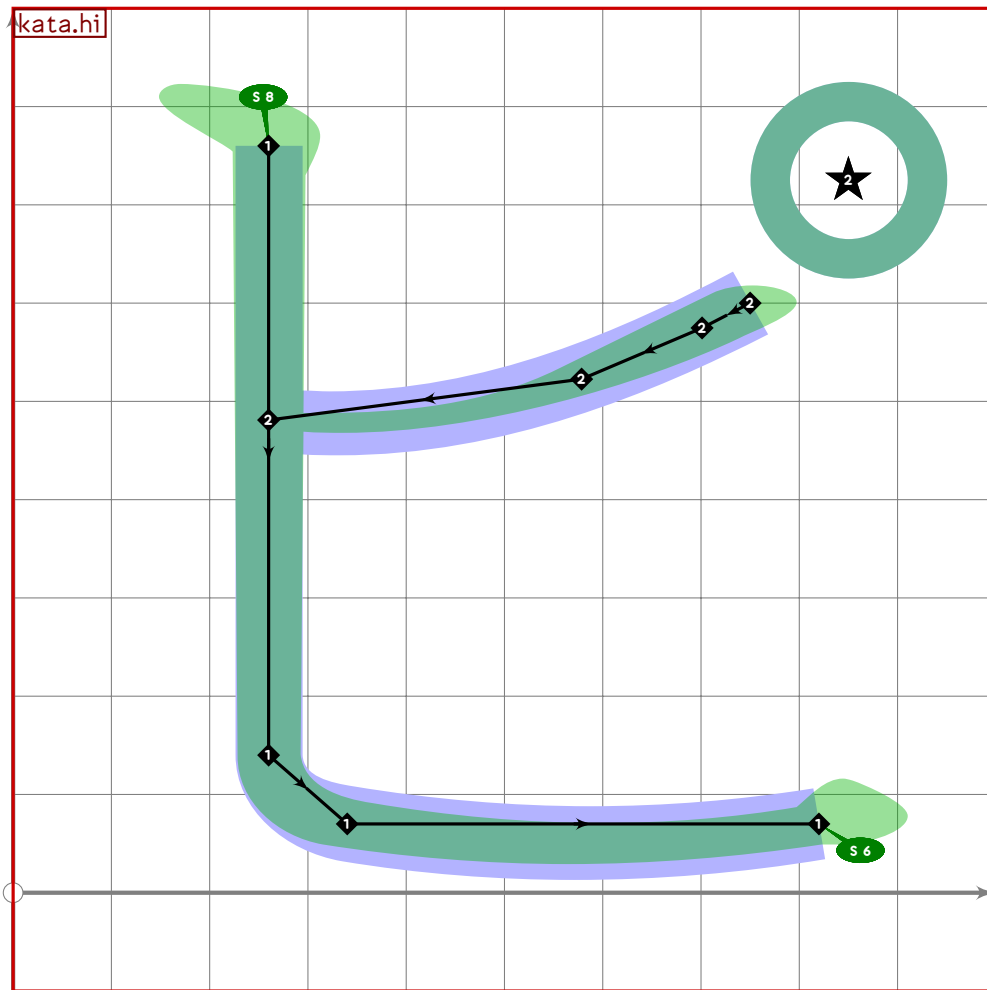
[see page 122]



```

1291 % hiragana "bi"
1292 begint Suglyph("uni30D3",211);
1293 tsu_curve.kata.hi;
1294 tsu_curve.dakuten(identity rotated 7 shifted (850,725));
1295 tsu_render;
1296 endsuglyph;
1297

```

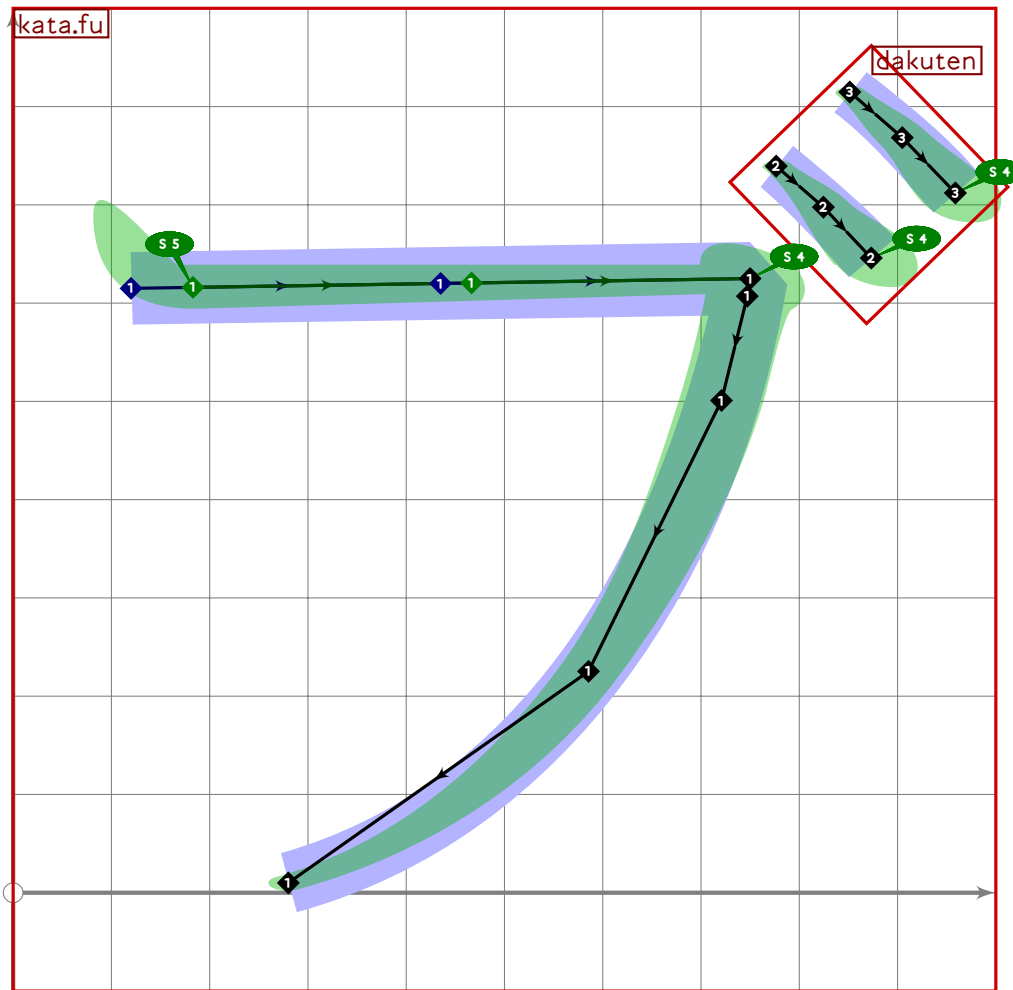



```

1298 % hiragana "pi"
1299 begint Suglyph("uni30D4";212);
1300 tsu_curve.kata.hi;
1301 tsu_curve.handakuten((850,725));
1302 tsu_render;
1303 endtsuglyph;
1304
1305 % katakana "fu"
1306 begint Suglyph("uni30D5";213);
1307 tsu_curve.kata.fu;
1308 tsu_render;
1309 endtsuglyph;
1310

```

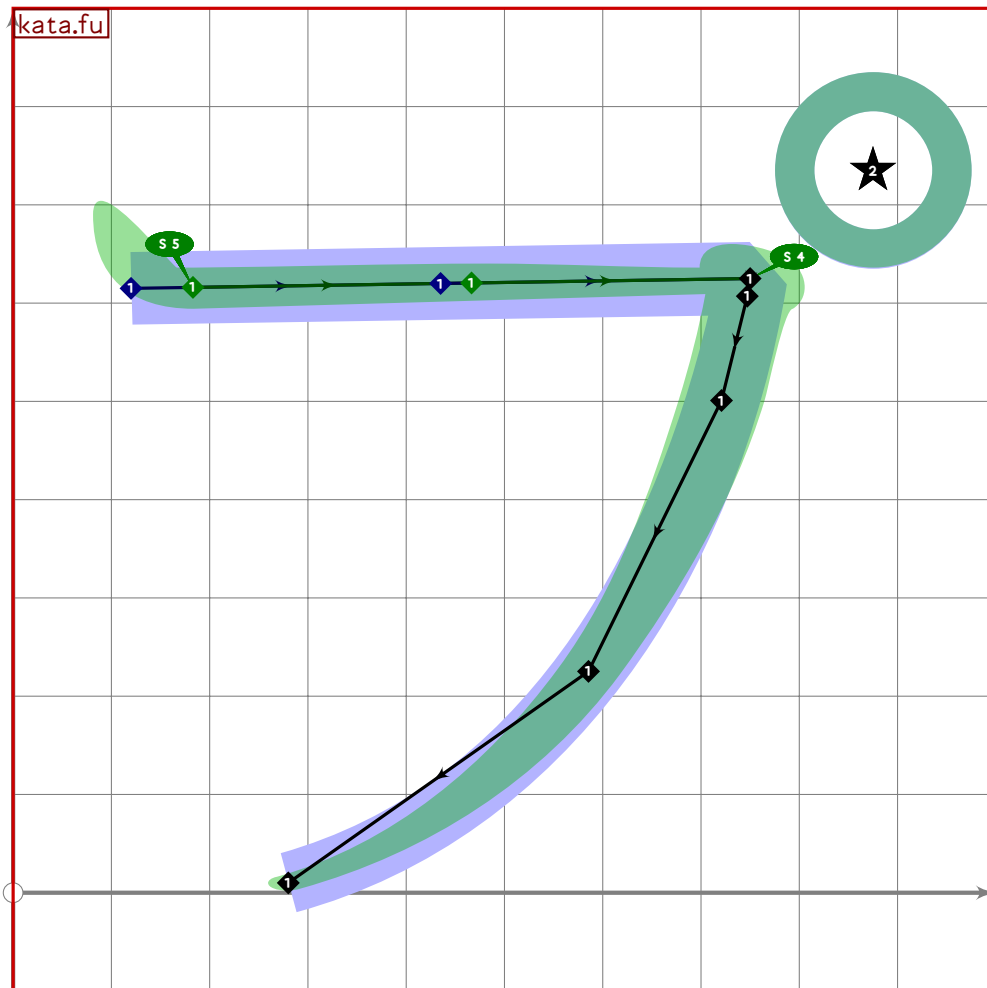
[see page 123]



```

1311 % katakana "bu"
1312 beginsuglyph("uni30D6",214);
1313 tsu_curve.kata.fu;
1314 bp1:=bp1 shifted (-40,10);
1315 tsu_curve.dakuten(identity rotated 4 shifted (857,735));
1316 tsu_render;
1317 endsuglyph;
1318

```

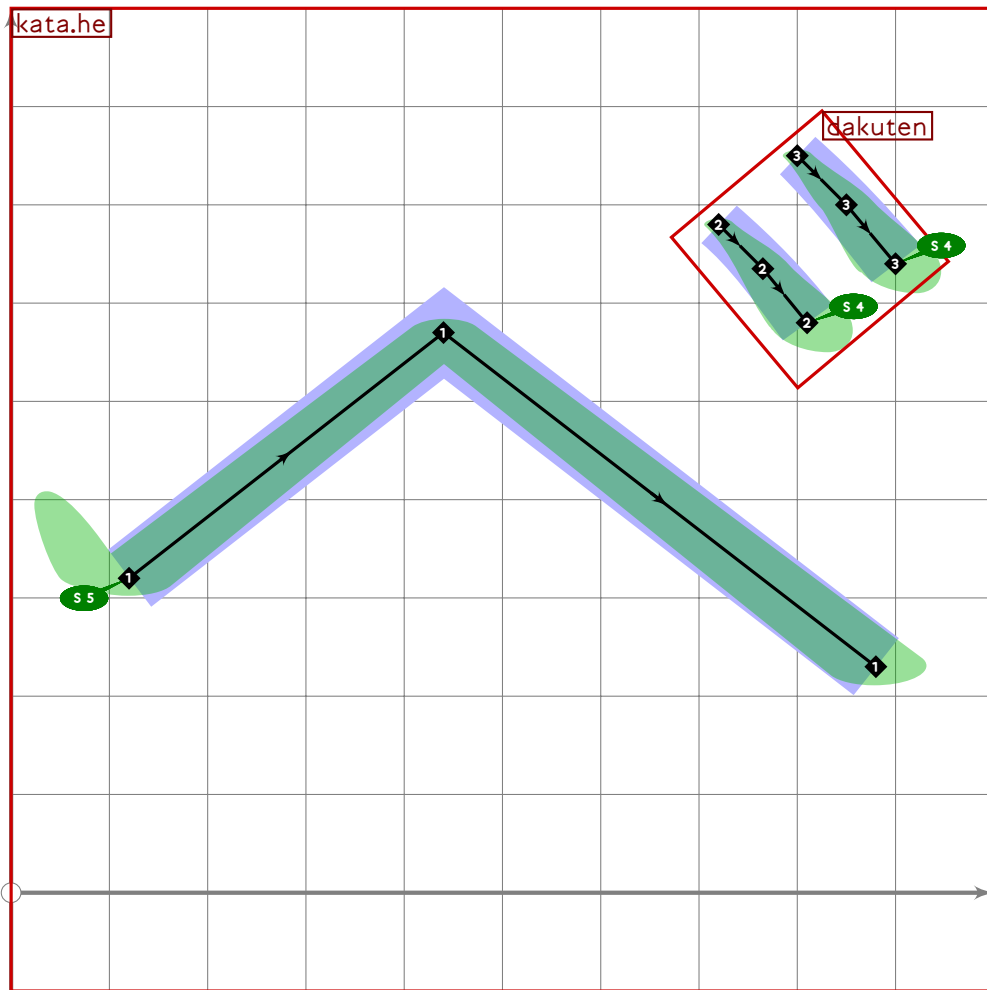


```

1319 % katakana "pu"
1320 beginsuglyph("uni30D7",215);
1321 tsu_curve.kata.fu;
1322 bp1:=bp1 shifted (-40,10);
1323 tsu_curve.handakuten((875,735));
1324 tsu_render;
1325 endsuglyph;
1326
1327 % katakana "he"
1328 beginsuglyph("uni30D8",216);
1329 tsu_curve.kata.he;
1330 tsu_render;
1331 endsuglyph;
1332

```

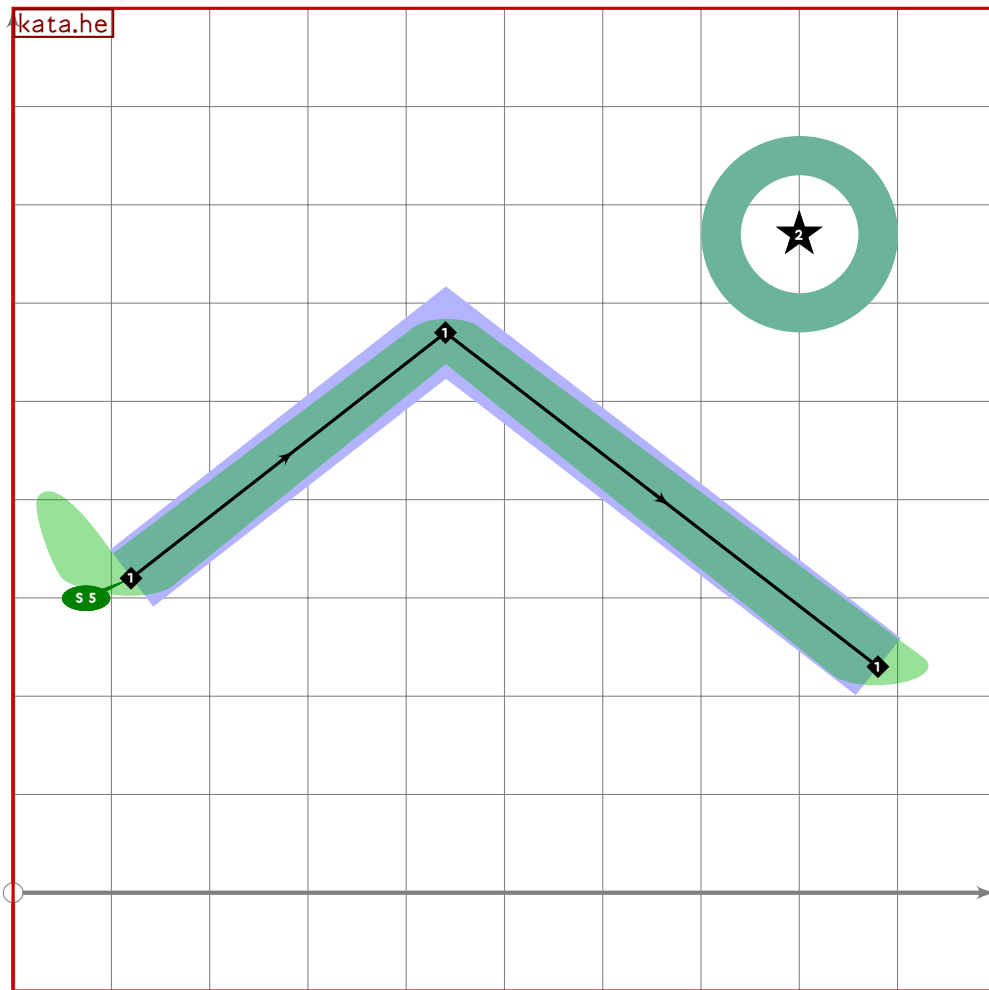
[see page 124]



```

1333 % katakana "be"
1334 begint Suglyph("uni30D9";217);
1335 tsu_curve.kata.he;
1336 tsu_curve.dakuten(identity shifted (800,670));
1337 tsu_render;
1338 endtsuglyph;
1339

```

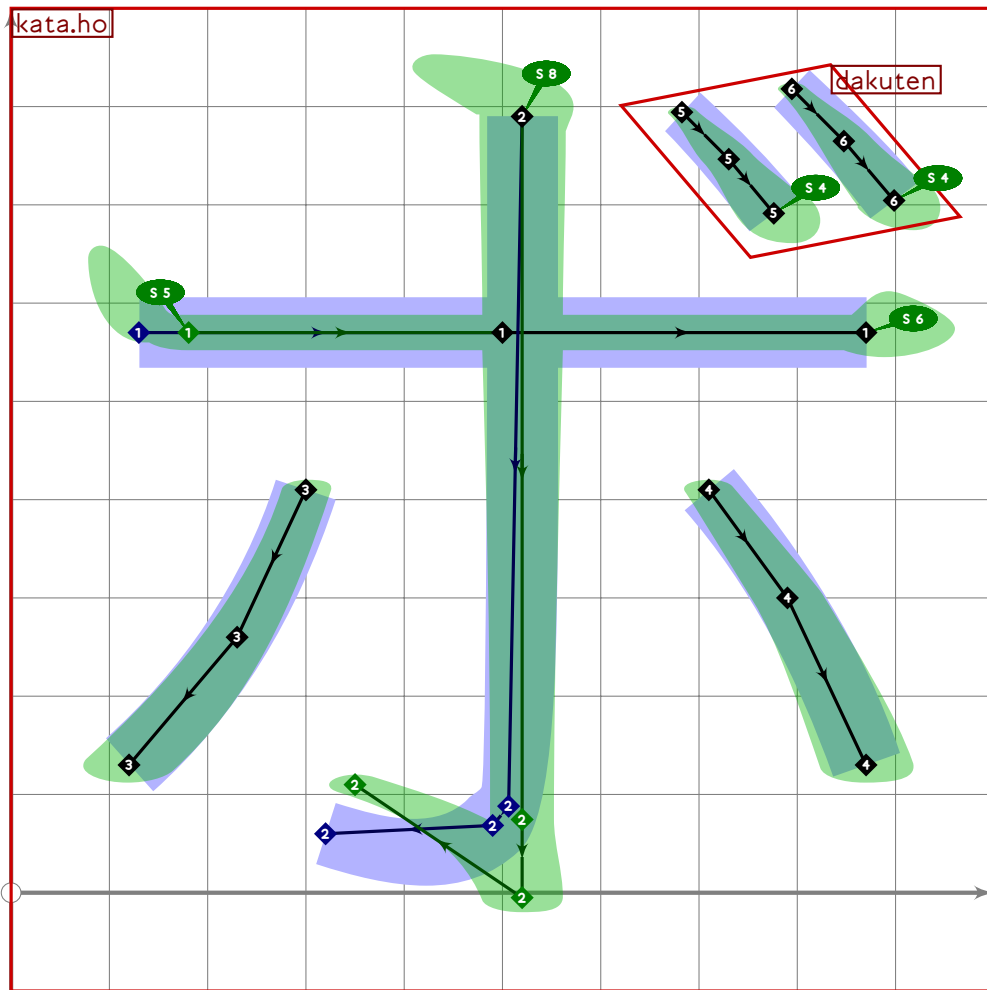


```

1340 % katakana "pe"
1341 begint Suglyph("uni30DA";218);
1342 tsu_curve.kata.he;
1343 tsu_curve.handakuten((800,670));
1344 tsu_render;
1345 endtsuglyph;
1346
1347 % katakana "ho"
1348 begint Suglyph("uni30DB";219);
1349 tsu_curve.kata.ho;
1350 tsu_render;
1351 endtsuglyph;
1352

```

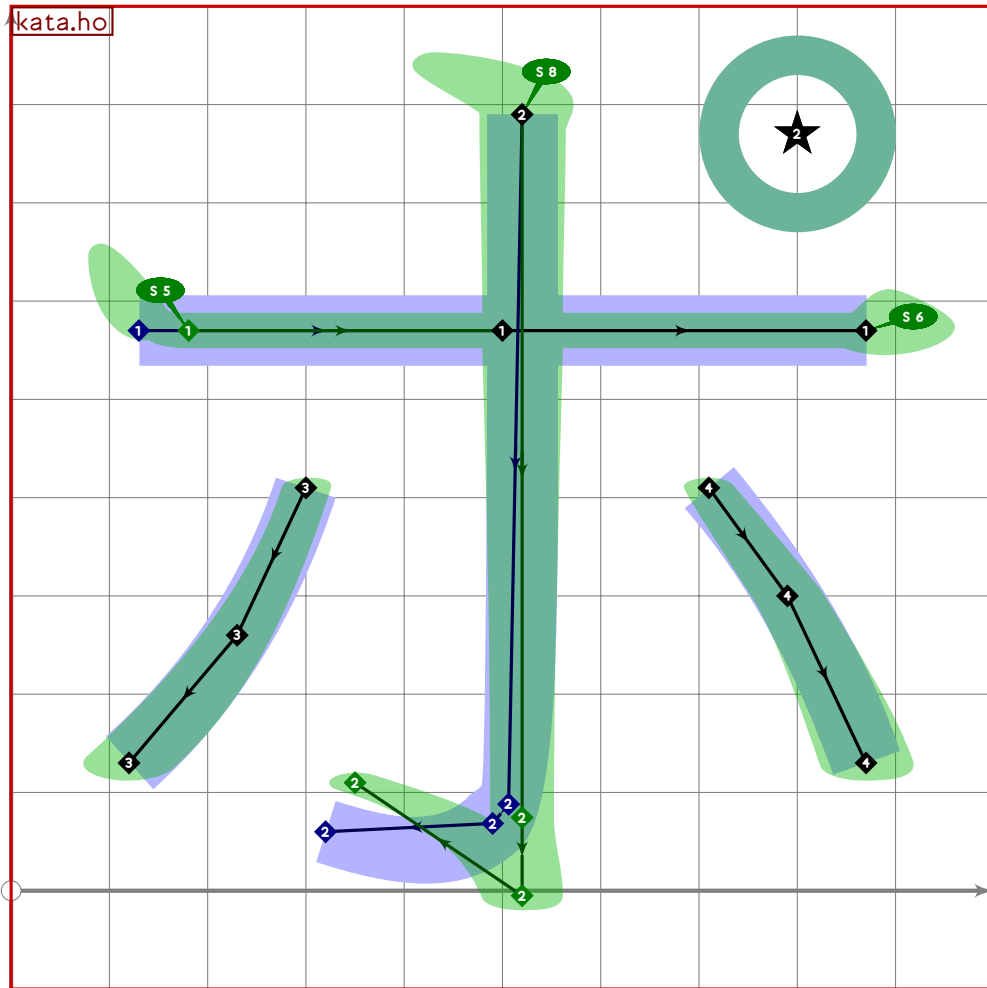
[see page 125]



```

1353 % katakana "bo"
1354 begintsuglyph("uni30DC";220);
1355 tsu_curve.kata.ho;
1356 tsu_curve.dakuten(identity
1357     rotated -25 slanted -0.3 xyscaled (1.2,0.8) shifted (780,760));
1358 tsu_render;
1359 endsuglyph;
1360

```



```

1361 % katakana "po"
1362 begintsuglyph("uni30DD";221);
1363 tsu_curve.kata.ho;
1364 tsu_curve.handakuten((800,770));
1365 tsu_render;
1366 endtsuglyph;

```

1367

```

1368 % katakana "ma"
1369 begintsuglyph("uni30DE";222);
1370 tsu_curve.kata.ma;
1371 tsu_render;
1372 endtsuglyph;

```

[see page 126]

1373

```

1374 % katakana "mi"
1375 begintsuglyph("uni30DF";223);
1376 tsu_curve.kata.mi;
1377 tsu_render;
1378 endtsuglyph;

```

[see page 127]

1379

```

1380 % katakana "mu"
1381 begintsuglyph("uni30E0";224);

```

[see page 128]

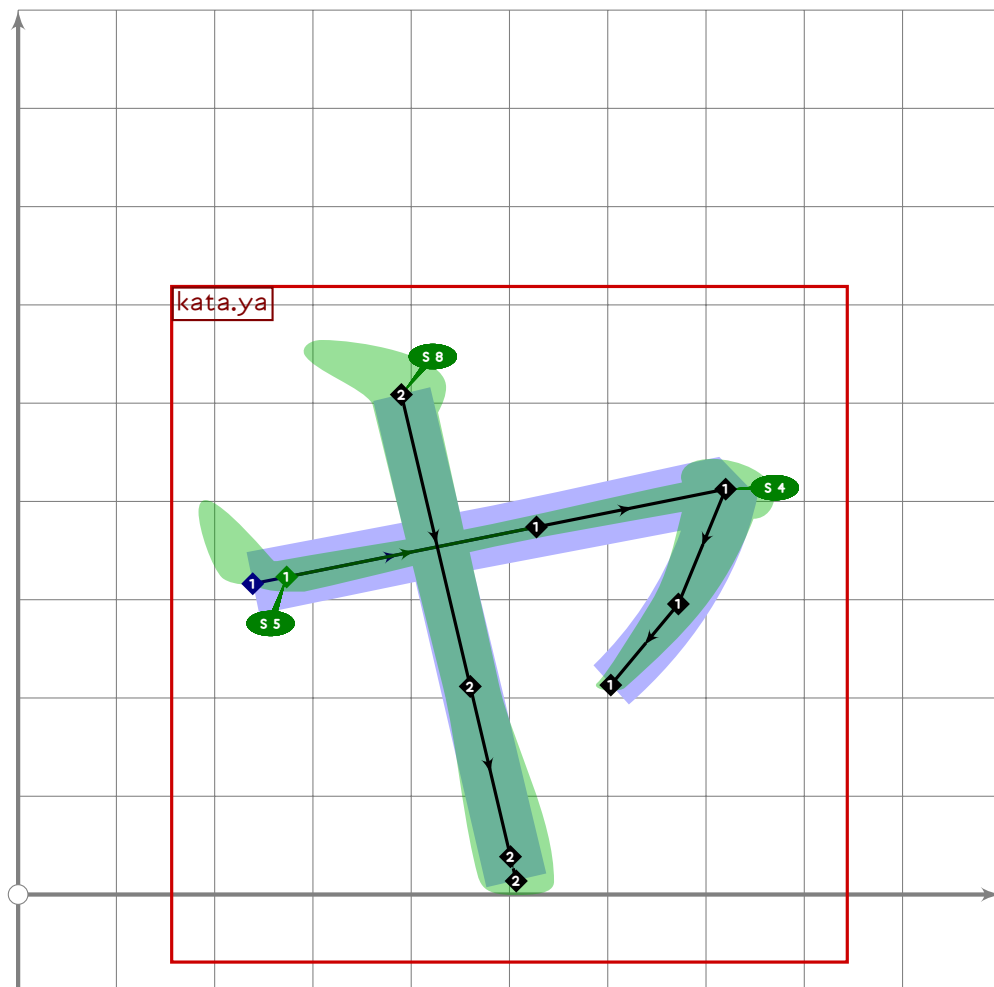
```

1382 tsu_curve.kata.mu;
1383 tsu_render;
1384 endsuglyph;
1385
1386 % katakana "me"
1387 begintsuglyph("uni30E1";225);
1388 tsu_curve.kata.me;
1389 tsu_render;
1390 endsuglyph;
1391
1392 % katakana "mo"
1393 begintsuglyph("uni30E2";226);
1394 tsu_curve.kata.mo;
1395 tsu_render;
1396 endsuglyph;
1397

```

[see page 129]

[see page 130]



```

1398 % katakana "small ya"
1399 begintsuglyph("uni30E3";227);
1400 tsu_xform(tsu_xf.smallkana)(tsu_curve.kata.ya);
1401 tsu_render;
1402 endsuglyph;

```

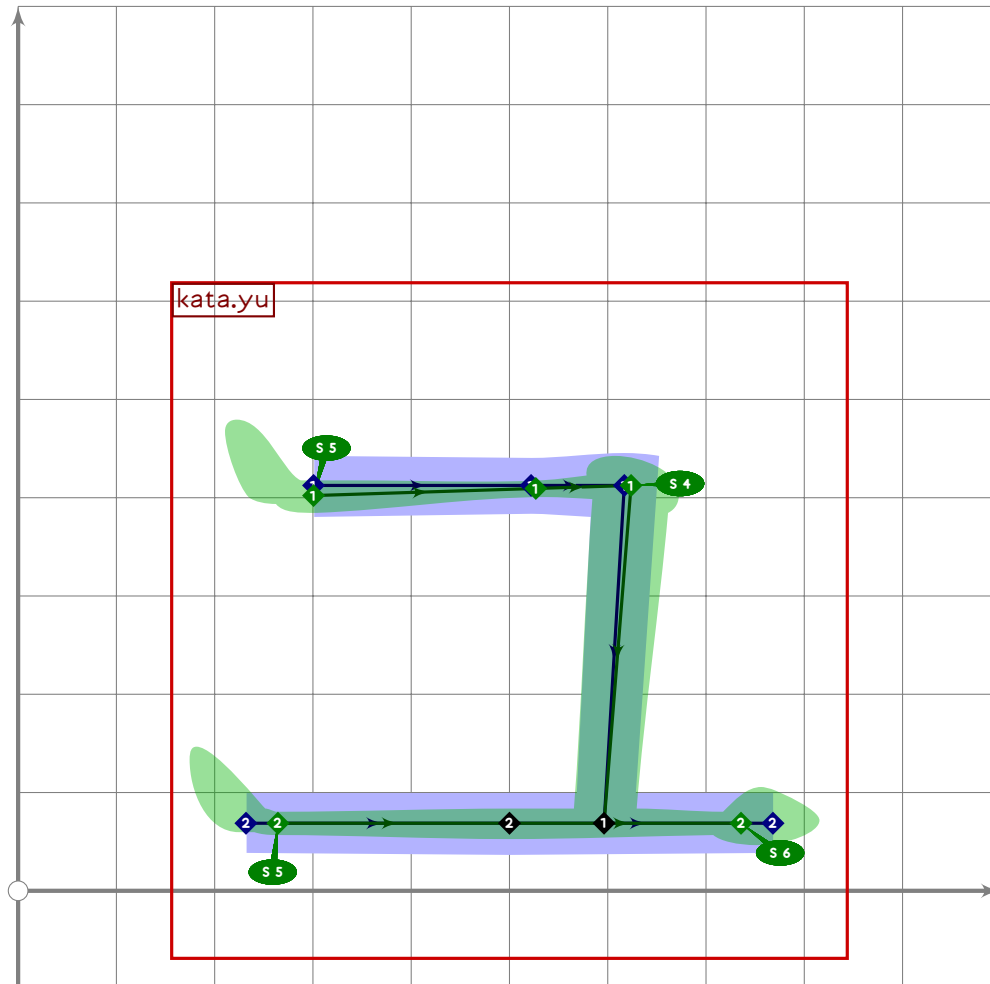


```

1403
1404 % katakana "ya"
1405 begintsuglyph("uni30E4";228);
1406 tsu_curve.kata.ya;
1407 tsu_render;
1408 endtsuglyph;
1409

```

[see page 131]

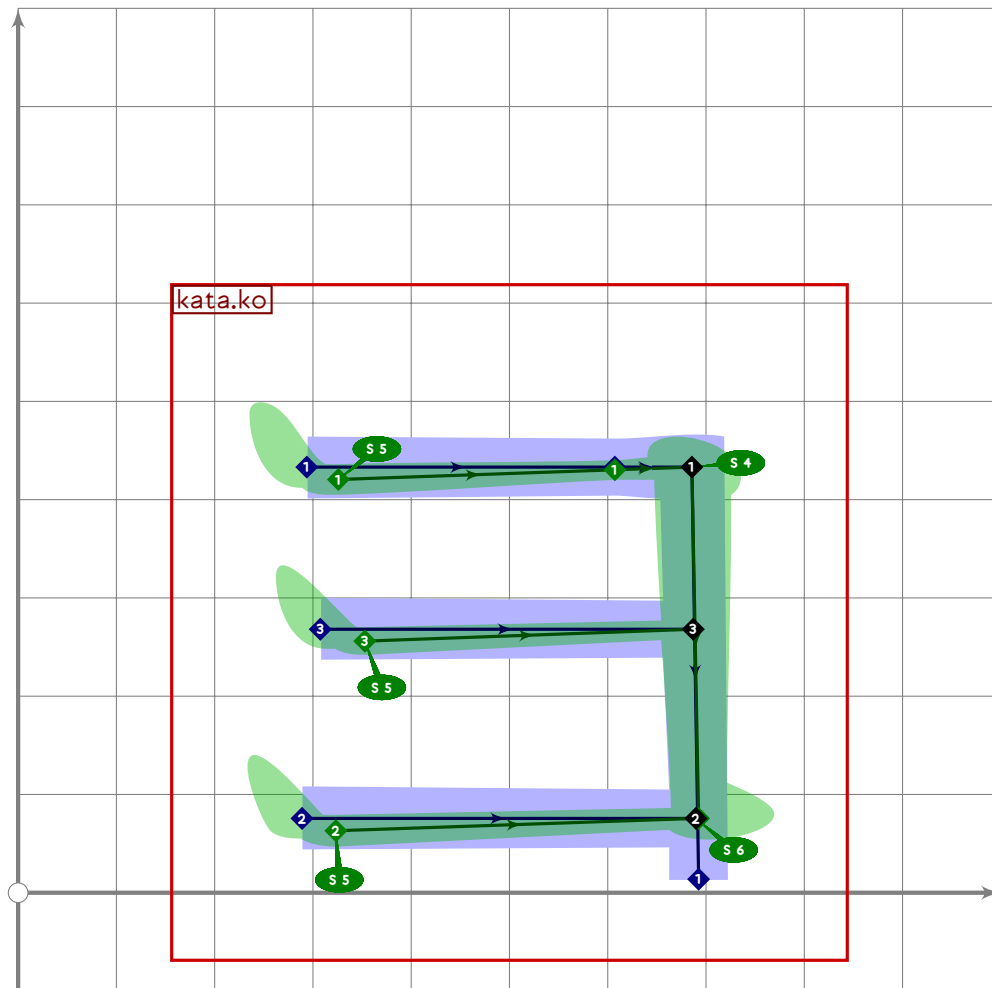


```

1410 % katakana "small yu"
1411 begintsuglyph("uni30E5";229);
1412 tsu_xform(tsu_xf.smallkana)(tsu_curve.kata.yu);
1413 tsu_render;
1414 endtsuglyph;
1415
1416 % katakana "yu"
1417 begintsuglyph("uni30E6";230);
1418 tsu_curve.kata.yu;
1419 tsu_render;
1420 endtsuglyph;
1421

```

[see page 132]



```

1422 % katakana "small yo"
1423 begintsuglyph("uni30E7",231);
1424 tsu_xform(tsu_xf.smallkana)(tsu_curve.kata.yo);
1425 tsu_render;
1426 endtsuglyph;
1427
1428 % katakana "yo"
1429 begintsuglyph("uni30E8",232);
1430 tsu_curve.kata.yo;
1431 tsu_render;
1432 endtsuglyph;
1433
1434 % katakana "ra"
1435 begintsuglyph("uni30E9",233);
1436 tsu_curve.kata.ra;
1437 tsu_render;
1438 endtsuglyph;
1439
1440 % katakana "ri"
1441 begintsuglyph("uni30EA",234);
1442 tsu_curve.kata.ri;

```

[see page 133]

[see page 134]

[see page 135]

```

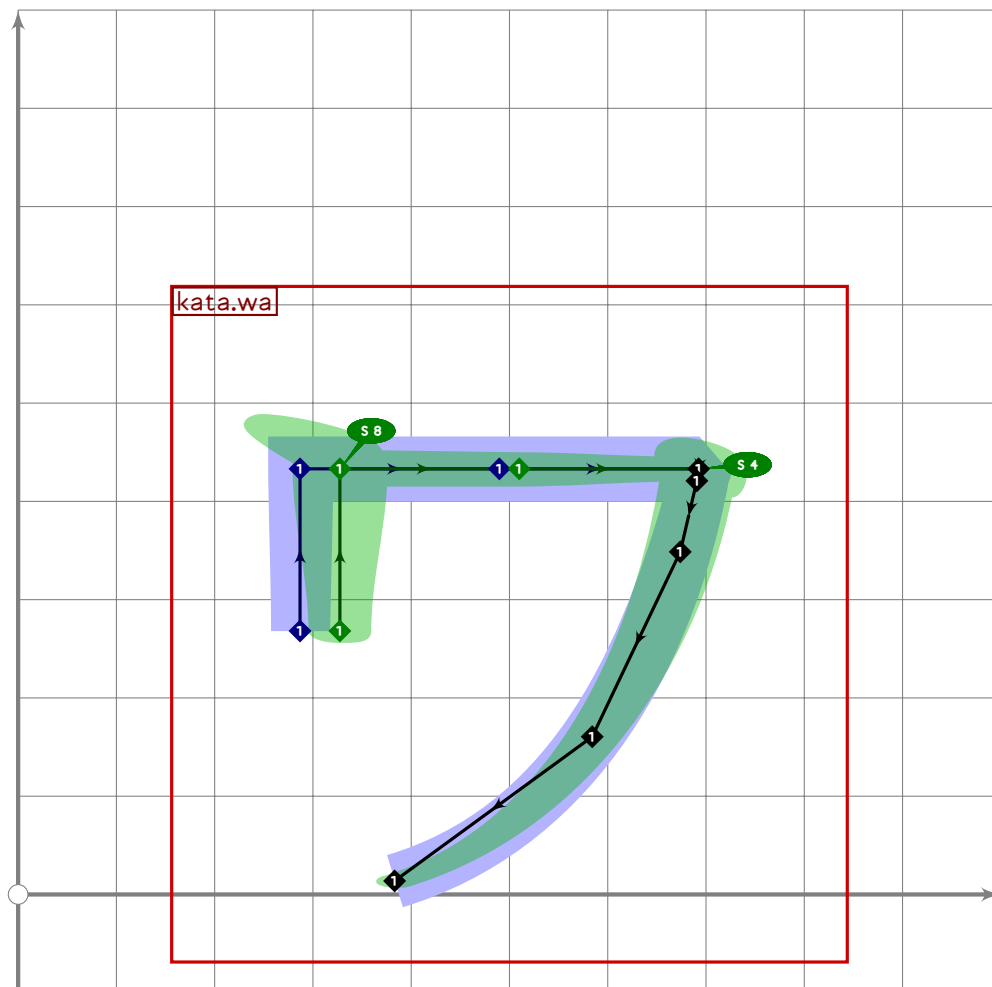
1443 tsu_render;
1444 endtsuglyph;
1445
1446 % katakana "ru"
1447 begintsuglyph("uni30EB";235);
1448 tsu_curve.kata.ru;
1449 tsu_render;
1450 endtsuglyph;
1451
1452 % katakana "re"
1453 begintsuglyph("uni30EC";236);
1454 tsu_curve.kata.re;
1455 tsu_render;
1456 endtsuglyph;
1457
1458 % katakana "ro"
1459 begintsuglyph("uni30ED";237);
1460 tsu_curve.kata.ro;
1461 tsu_render;
1462 endtsuglyph;
1463

```

[see page 136]

[see page 137]

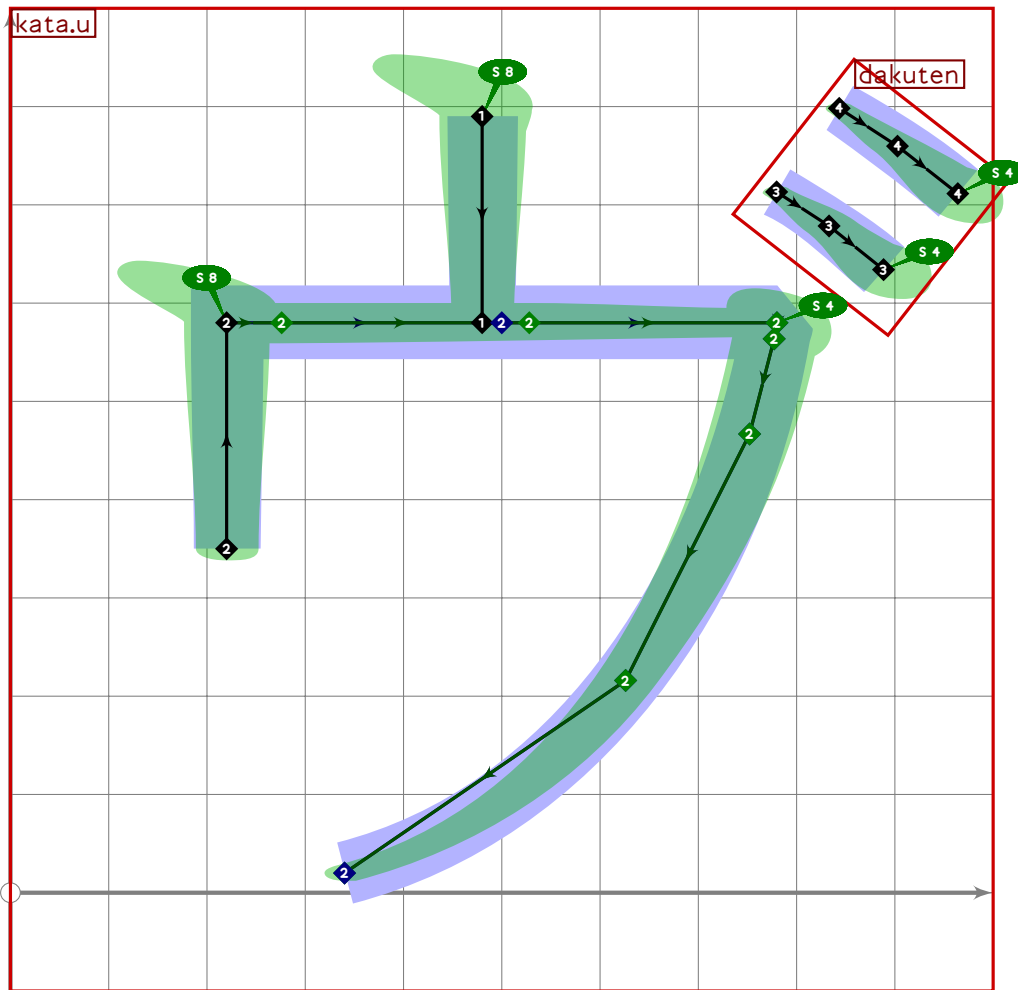
[see page 138]



```

1464 % katakana "small wa"
1465 begintsuglyph("uni30EE";238);
1466 tsu_xform(tsu_xf.smallkana)(tsu_curve.kata.wa);
1467 tsu_render;
1468 endtsuglyph;
1469
1470 % katakana "wa"
1471 begintsuglyph("uni30EF";239); [see page 139]
1472 tsu_curve.kata.wa;
1473 tsu_render;
1474 endtsuglyph;
1475
1476 % katakana "wi"
1477 begintsuglyph("uni30F0";240); [see page 140]
1478 tsu_curve.kata.wi;
1479 tsu_render;
1480 endtsuglyph;
1481
1482 % katakana "we"
1483 begintsuglyph("uni30F1";241); [see page 141]
1484 tsu_curve.kata.we;
1485 tsu_render;
1486 endtsuglyph;
1487
1488 % katakana "wo"
1489 begintsuglyph("uni30F2";242); [see page 142]
1490 tsu_curve.kata.wo;
1491 tsu_render;
1492 endtsuglyph;
1493
1494 % katakana "n"
1495 begintsuglyph("uni30F3";243); [see page 143]
1496 tsu_curve.kata.n;
1497 tsu_render;
1498 endtsuglyph;
1499

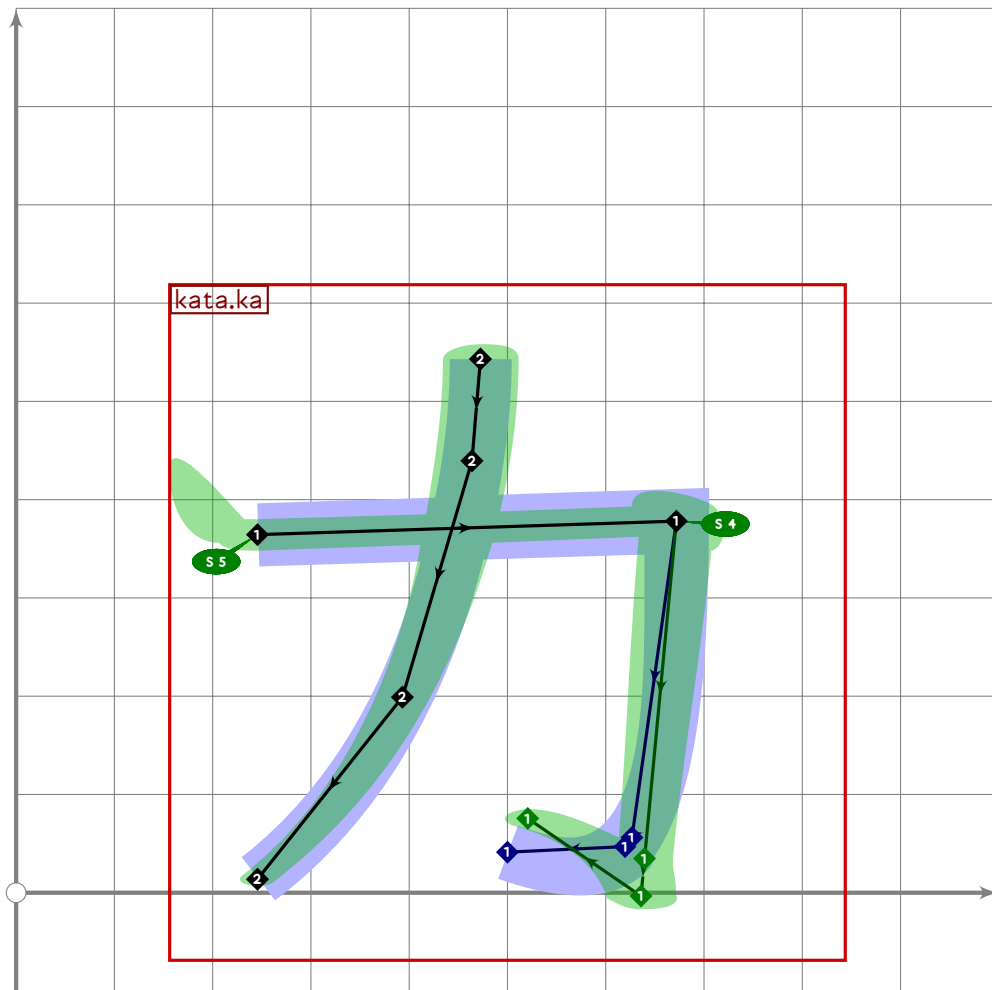
```



```

1500 % katakana "vu"
1501 beginsuglyph("uni30F4",244);
1502 tsu_curve.kata.u;
1503 tsu_curve.dakuten(identity rotated 12 shifted (860,720));
1504 tsu_render;
1505 endsuglyph;
1506

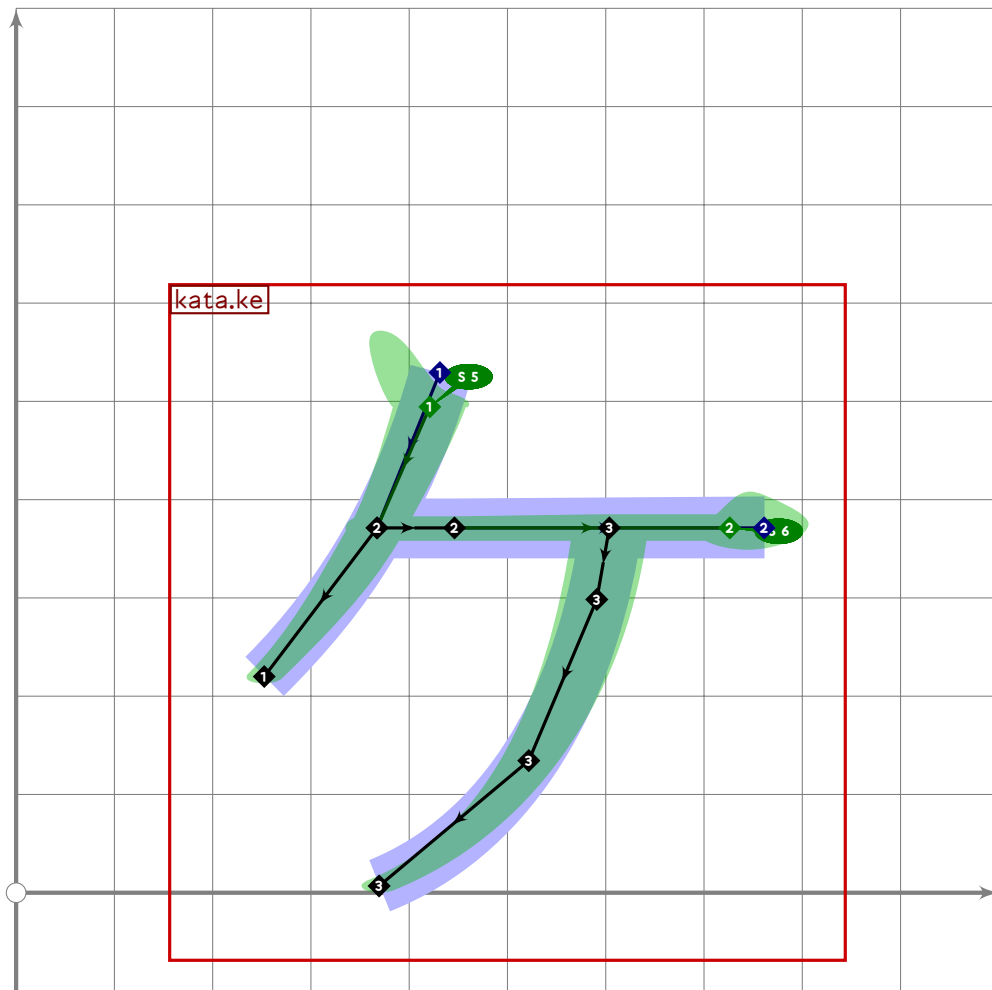
```



```

1507 % katakana "small ka"
1508 begint Suglyph("uni30F5";245);
1509 tsu_xform(tsu_xf.smallkana)(tsu_curve.kata.ka);
1510 tsu_render;
1511 endtsuglyph;
1512

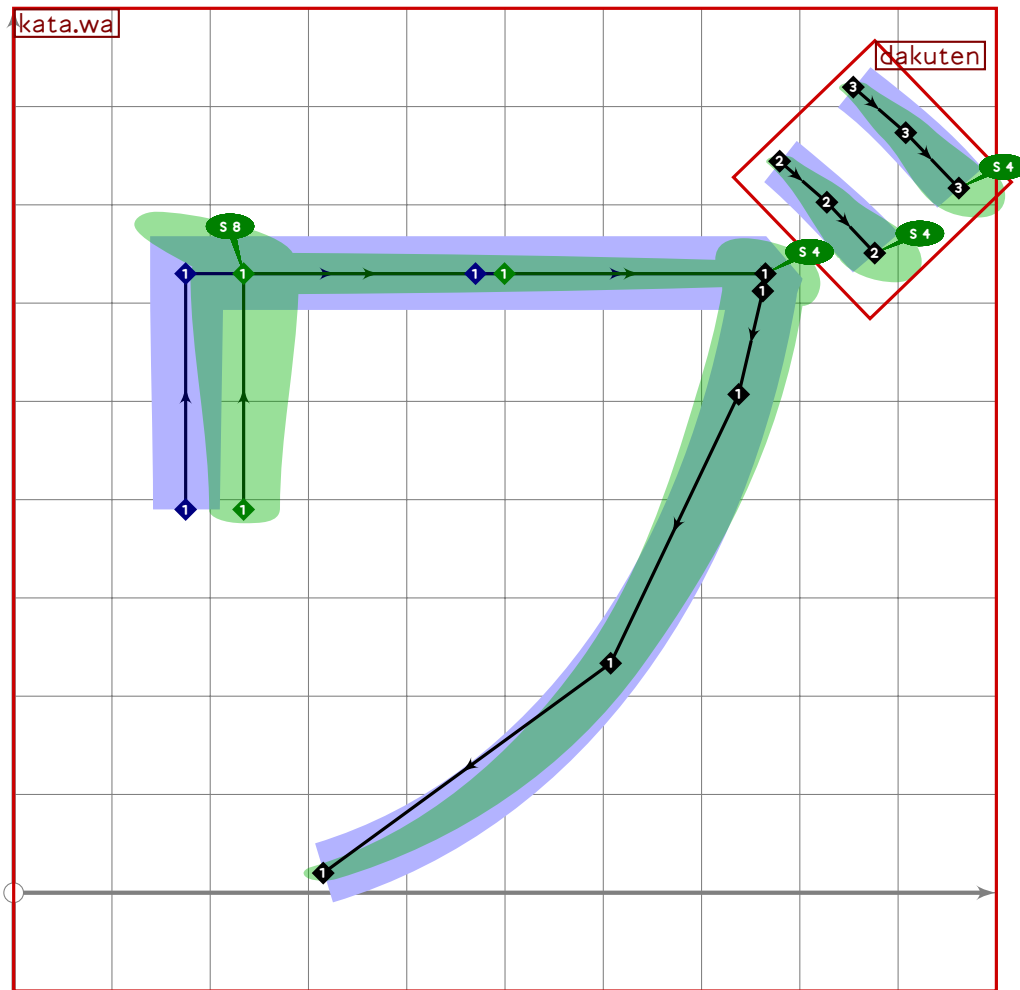
```



```

1513 % katakana "small ke"
1514 begintsuglyph("uni30F6";246);
1515 tsu_xform(tsu_xf.smallkana)(tsu_curve.kata.ke);
1516 tsu_render;
1517 endtsuglyph;
1518

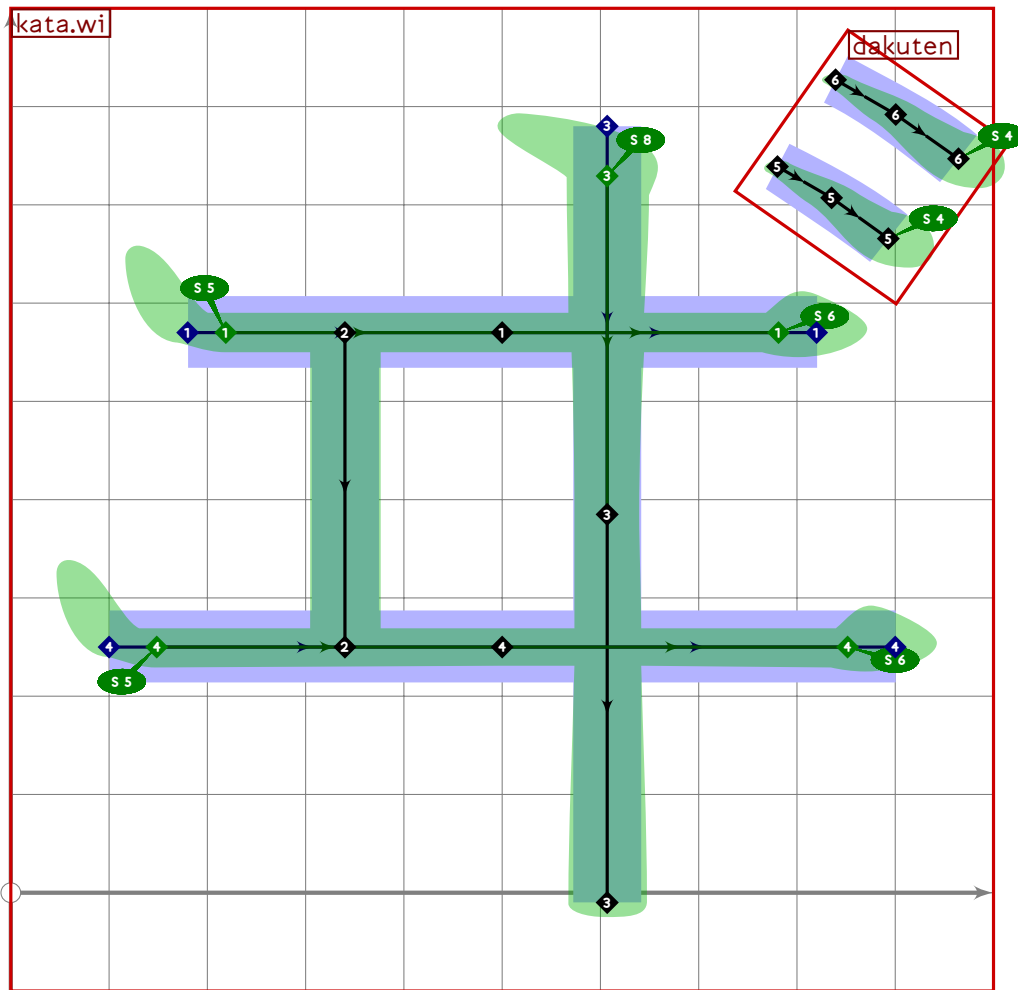
```



```

1519 % katakana "va"
1520 beginsuglyph("uni30F7";247);
1521 tsu_curve.kata.wa;
1522 bp1:=bp1 shifted (-15,0);
1523 tsu_curve.dakuten(identity rotated 4 shifted (860,740));
1524 tsu_render;
1525 endsuglyph;
1526

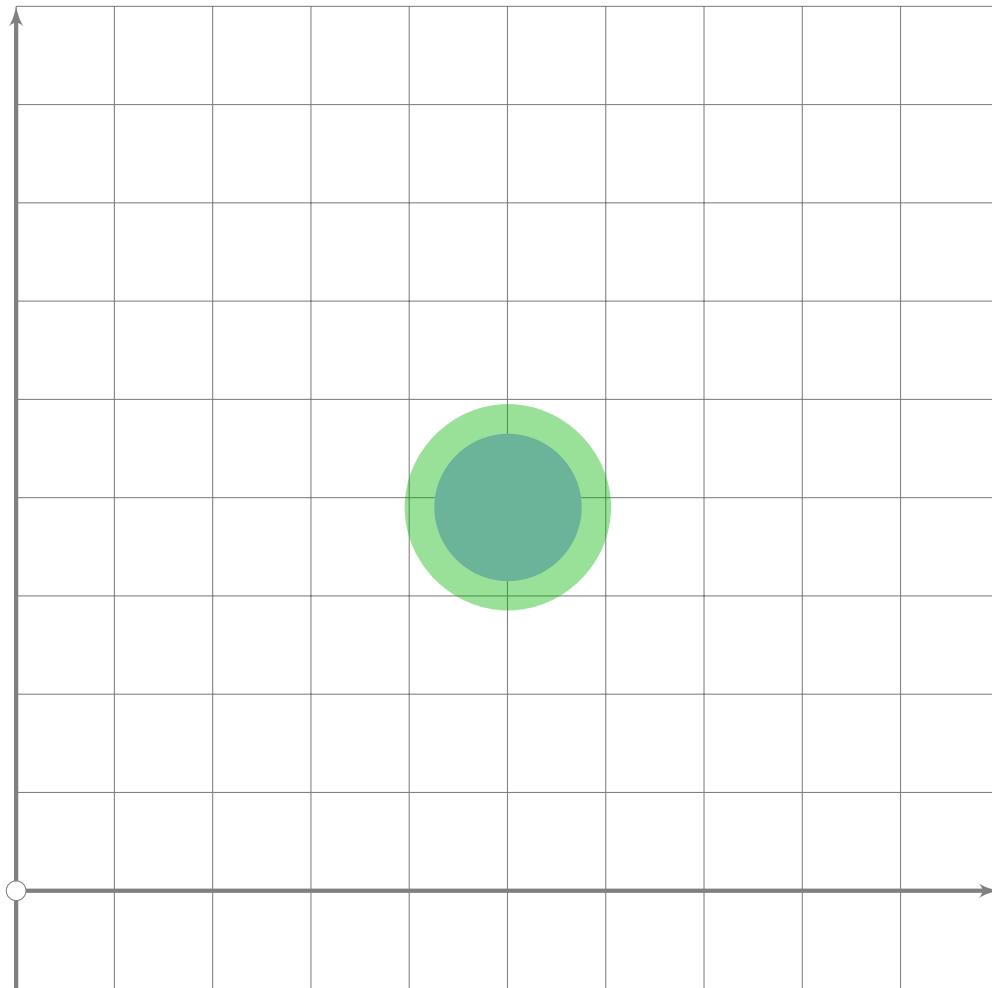
```

```

1527 % katakana "vi"
1528 begintsuglyph("uni30F8",248);
1529 tsu_curve.kata.wi;
1530 tsu_curve.dakuten(identity rotated 15 shifted (860,750));
1531 tsu_render;
1532 endsuglyph;
1533

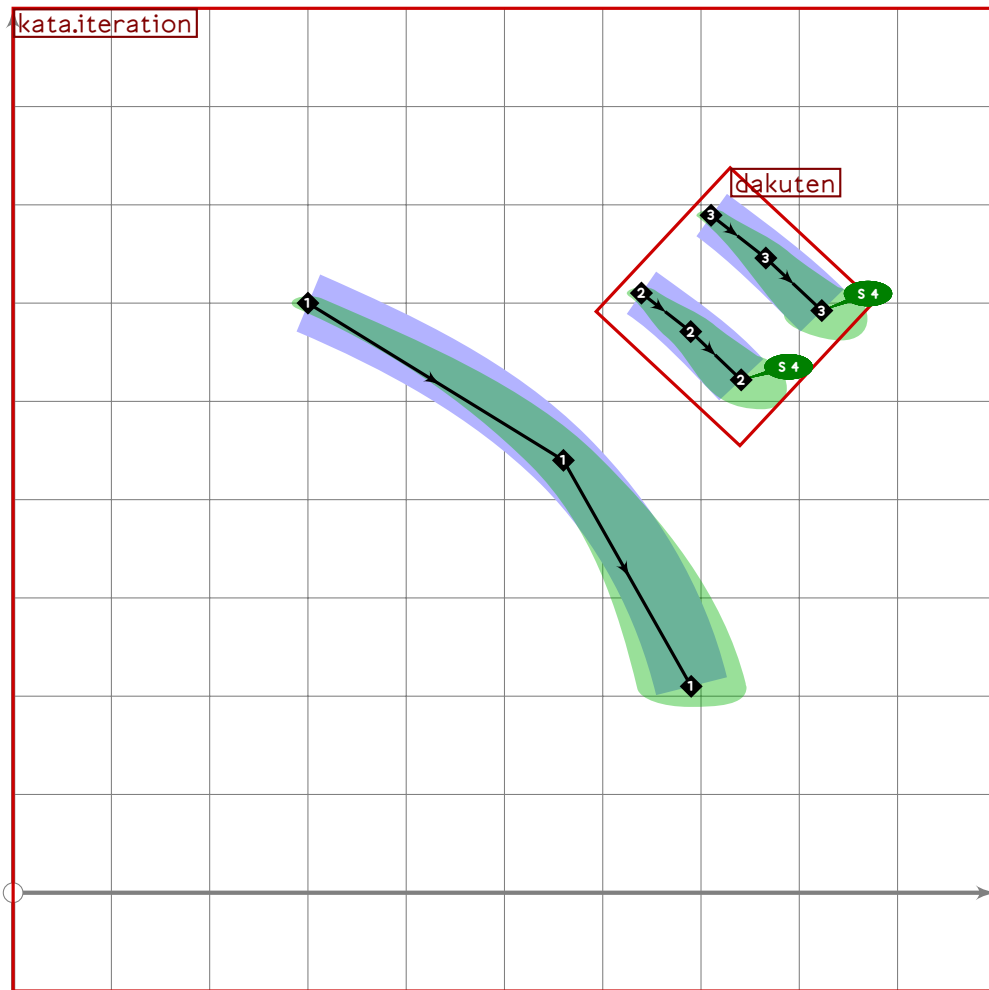
```

```

1550 % katakana middle dot
1551 begintsuglyph("uni30FB";251);
1552 Fill fullcircle scaled (200*tsu_brush_max) shifted centre_pt;
1553 endsuglyph;
1554
1555 % hira/kata "prolonged sound mark"
1556 begintsuglyph("uni30FC";252); [see page 281]
1557 tsu_curve.punct.psound;
1558 tsu_render;
1559 endsuglyph;
1560
1561 % katakana "iteration mark"
1562 begintsuglyph("uni30FD";253); [see page 144]
1563 tsu_curve.kata.iteration;
1564 tsu_render;
1565 endsuglyph;
1566

```



```

1567 % katakana "voiced iteration mark"
1568 \begin{suglyph}{uni30FE};254);
1569 \tsu_curve.kata.iteration;
1570 \tsu_curve.dakuten(identity rotated 7 shifted (720,610));
1571 \tsu_render;
1572 \end{suglyph};
1573
1574 _____
1575
1576 \endfont;
1577
1578 _____

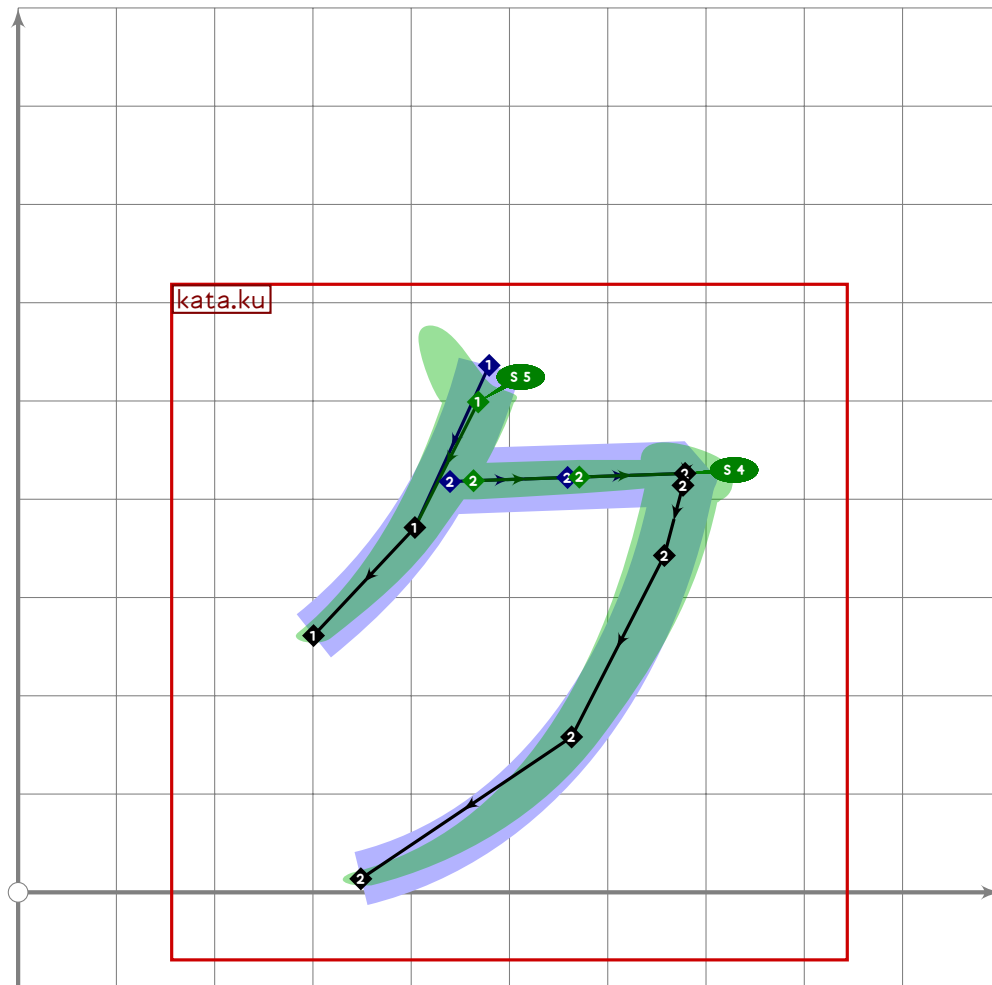
```

tsuku-31.mp

```
1 %  
2 % Unicode page 31 (Katakana Phonetic Extensions) for Tsukurimashou  
3 % Copyright (C) 2011 Matthew Skala  
4 %  
5-29 [Standard copyright notice]  
30  
31 _____  
32  
33 beginfont  
34  
35 % AUTODEPS  
36 input katakana.mp;  
37  
38 _____  
39
```

Phonetic Extensions For Ainu

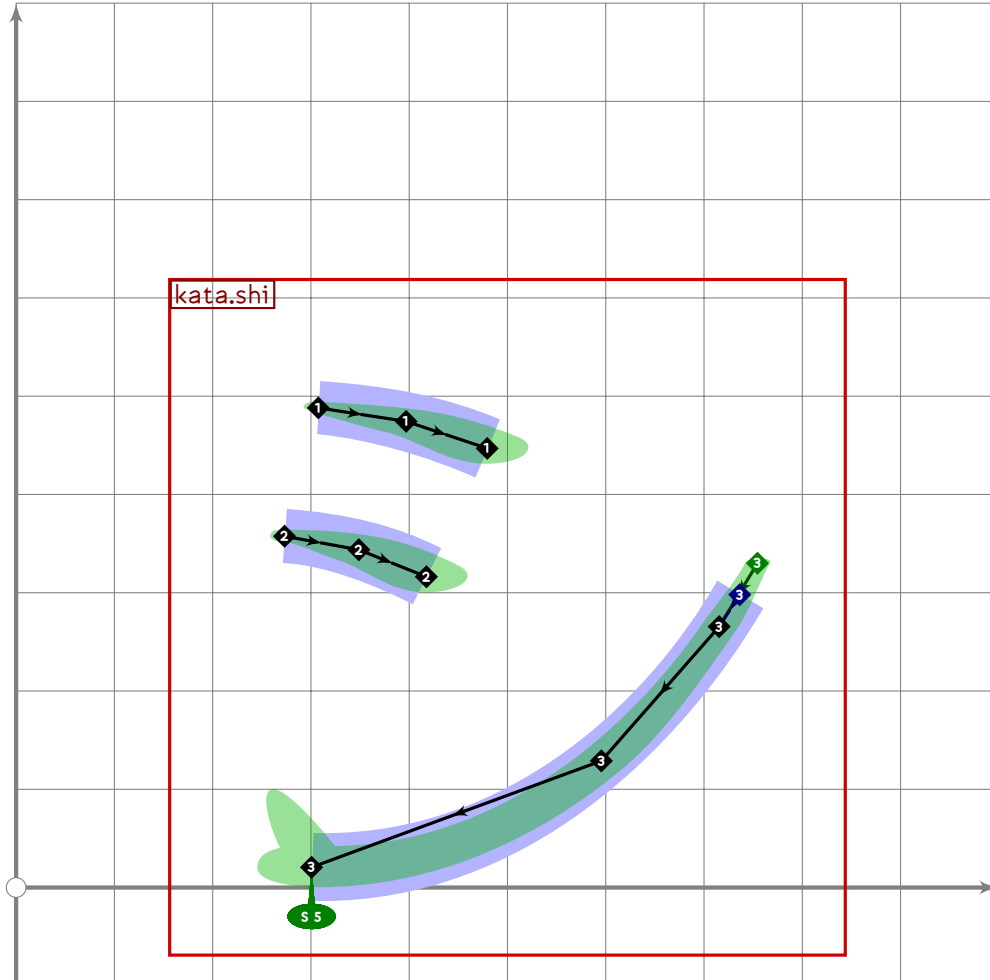
```
40 % PHONETIC EXTENSIONS FOR AINU  
41
```



```

42 % katakana "ku"
43 begint Suglyph("uni31F0";240);
44 tsu_xform(tsu_xf.smallkana)(tsu_curve.kata.ku);
45 tsu_render;
46 endtsuglyph;
47

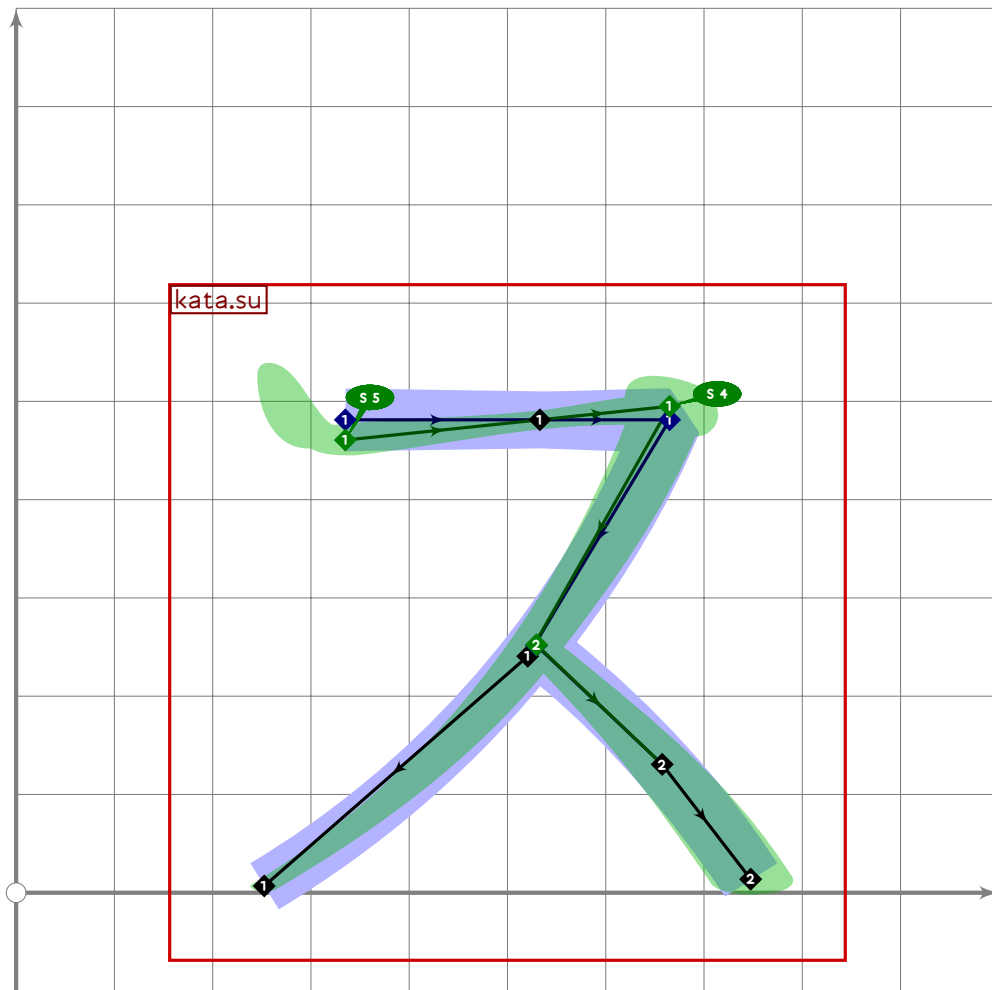
```



```

48 % katakana "shi"
49 begint Suglyph("uni31F1";241);
50 tsu_xform(tsu_xf.smallkana)(tsu_curve.kata.shi);
51 tsu_render;
52 endtsuglyph;
53

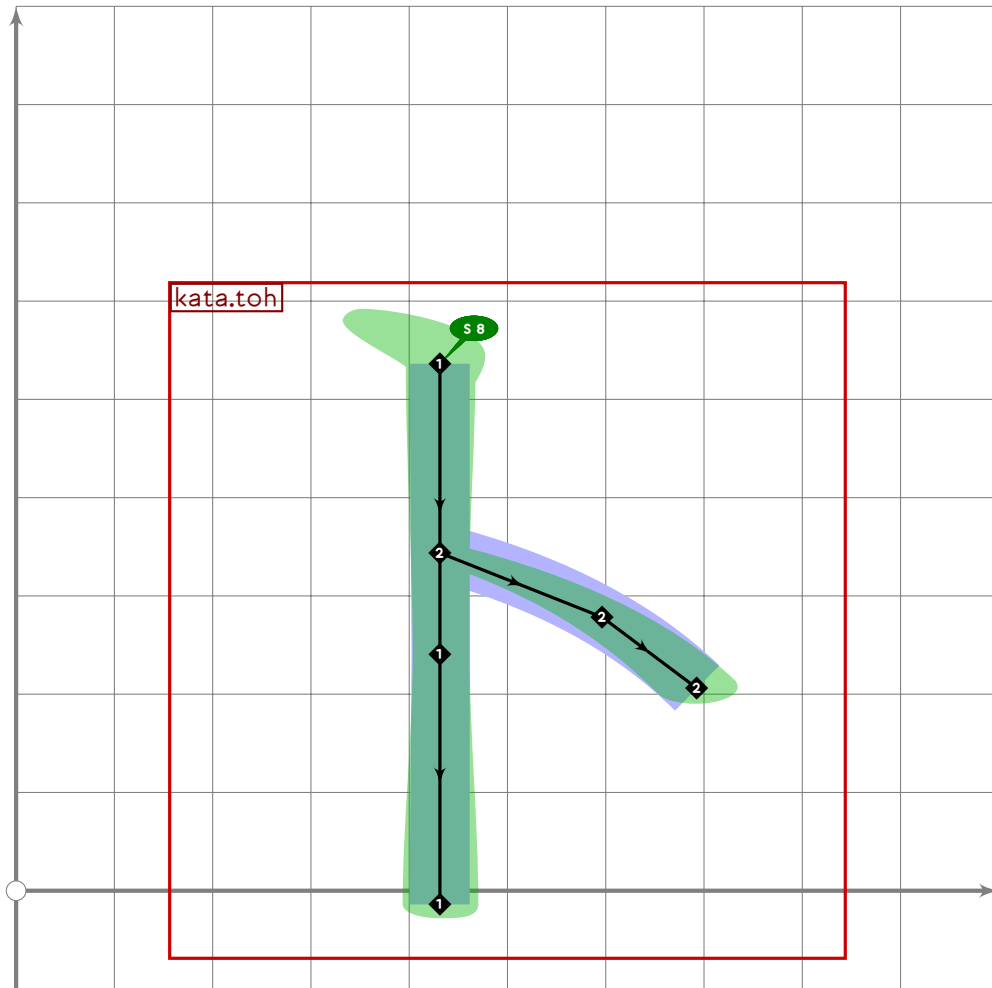
```



```

54 % katakana "su"
55 begint Suglyph("uni31F2";242);
56 tsu_xform(tsu_xf.smallkana)(tsu_curve.kata.su);
57 tsu_render;
58 endtsuglyph;
59

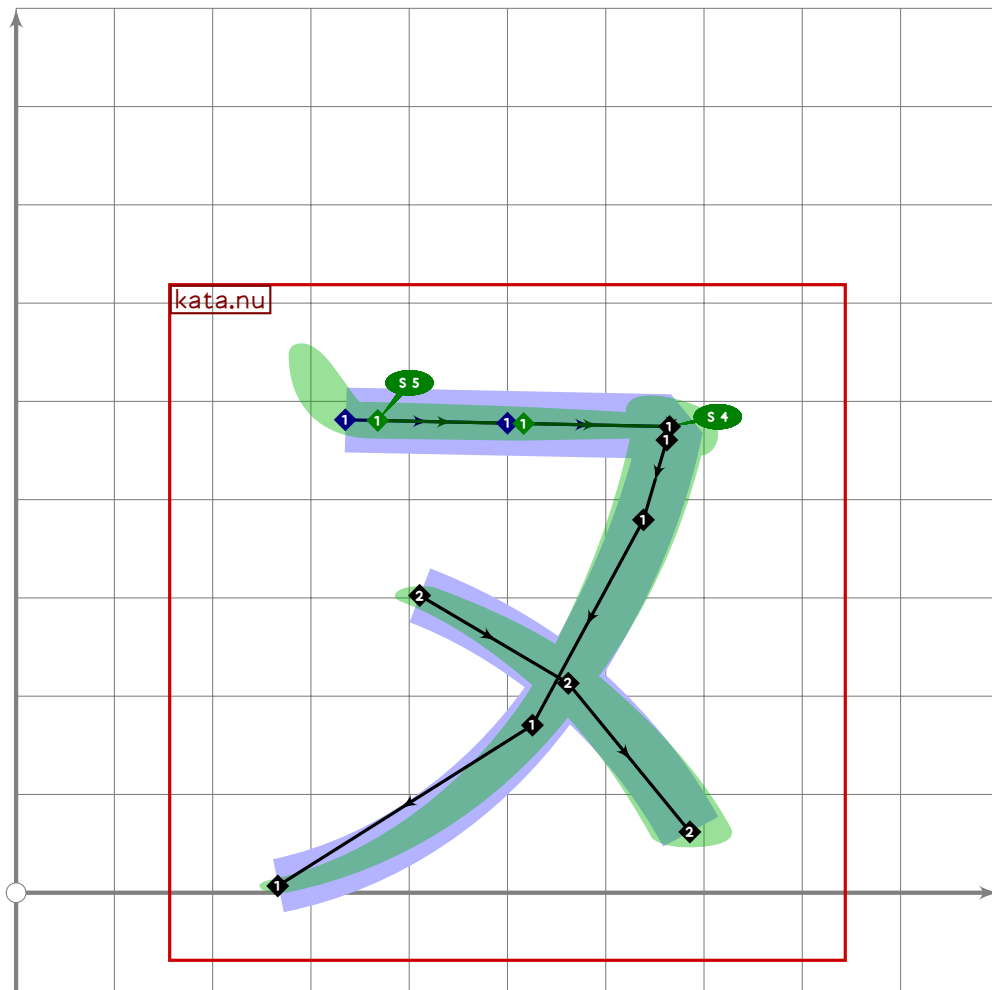
```

```

60 % katakana "to"
61 begint Suglyph("uni31F3";243);
62 tsu_xform(tsu_xf.smallkana)(tsu_curve.kata.toh);
63 tsu_render;
64 endtsuglyph;
65

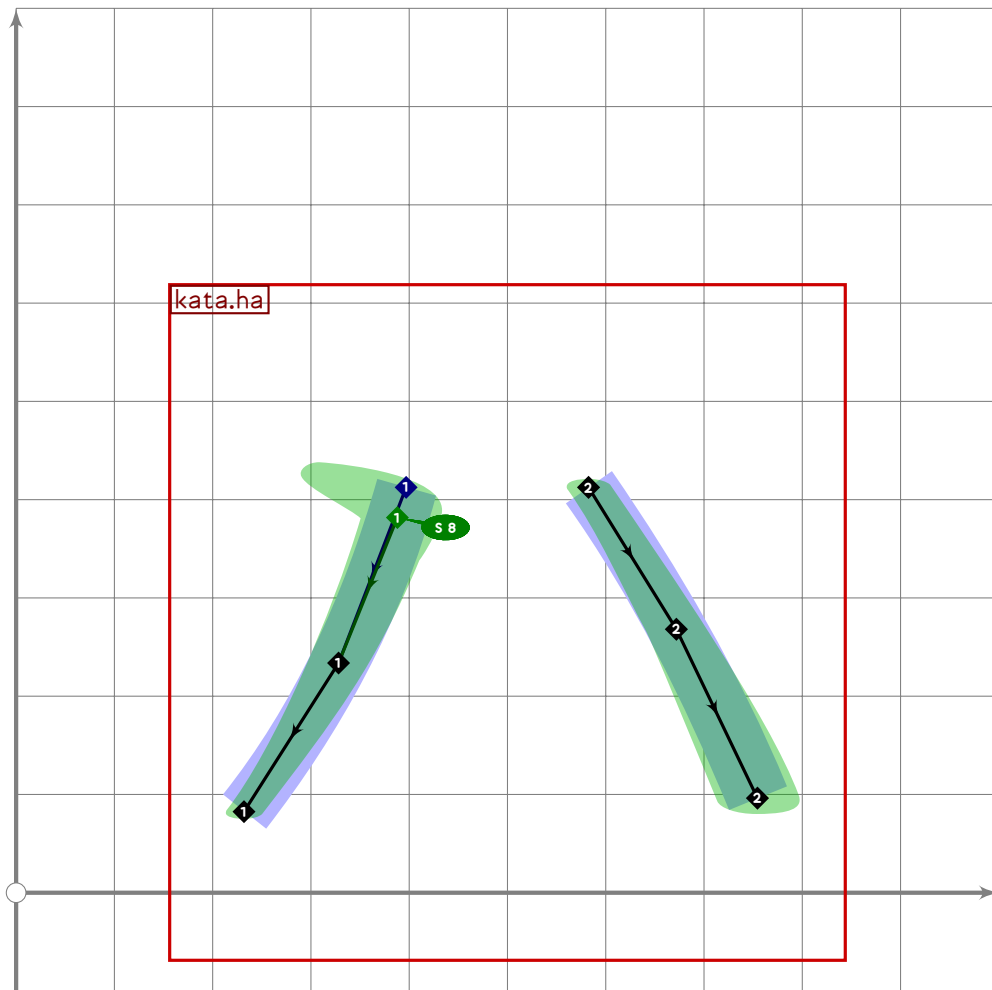
```



```

66 % katakana "nu"
67 begint Suglyph("uni31F4";244);
68 tsu_xform(tsu_xf.smallkana)(tsu_curve.kata.nu);
69 tsu_render;
70 endtsuglyph;
71

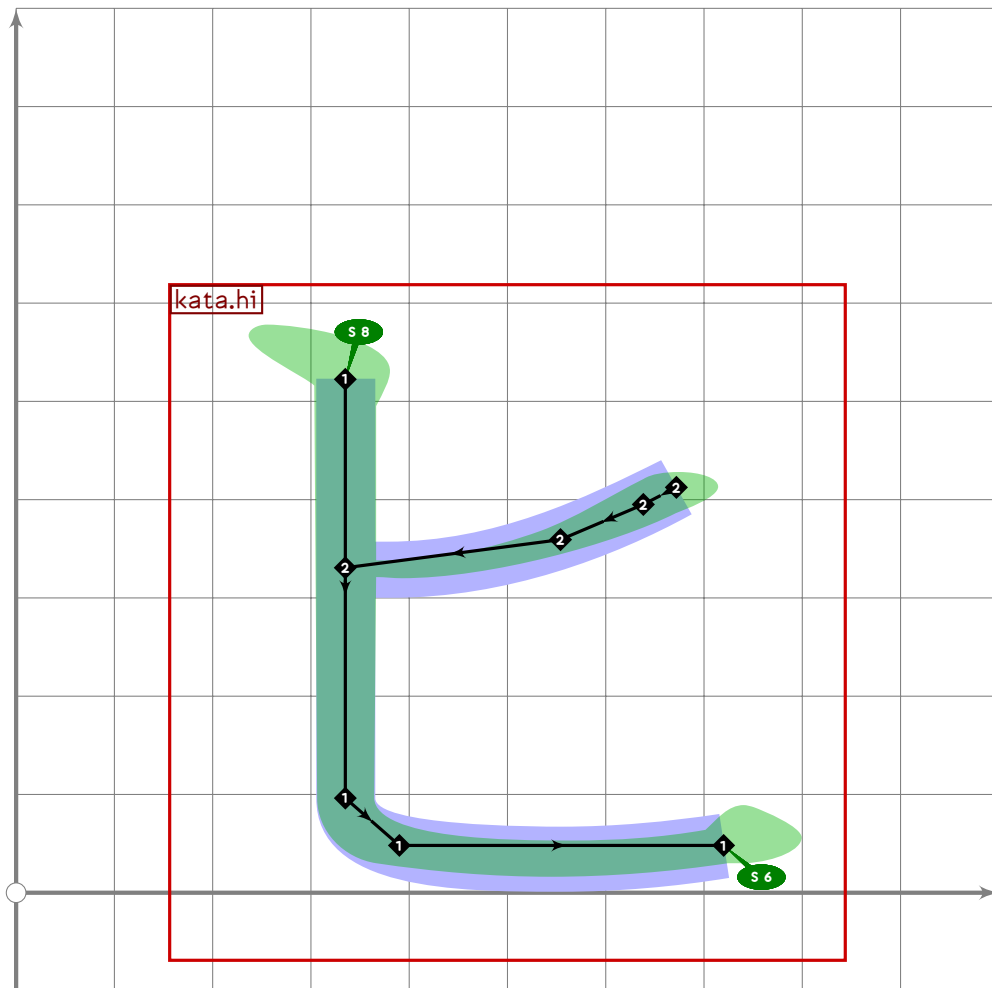
```



```

72 % katakan "ha"
73 beginsuglyph("uni31F5";245);
74 tsu_xform(tsu_xf.smallkana)(tsu_curve.kata.ha);
75 tsu_render;
76 endsuglyph;
77

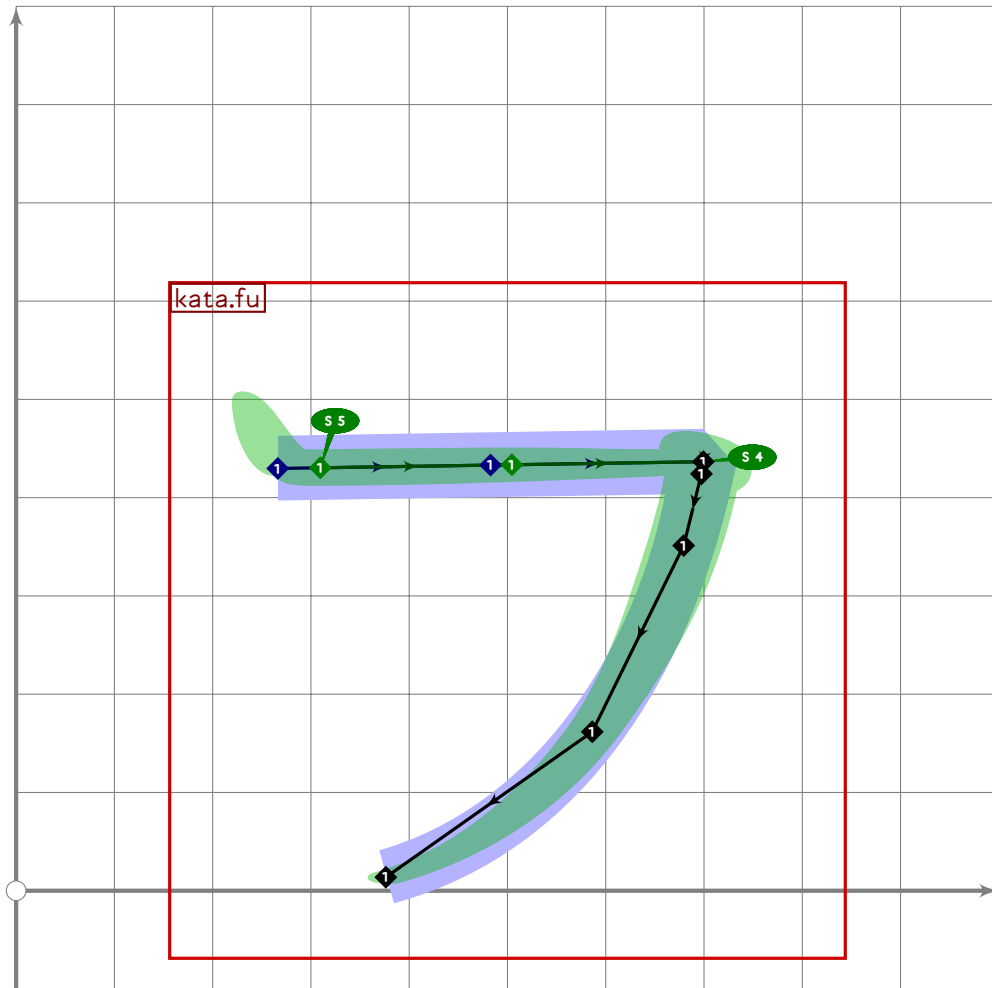
```



```

78 % hiragana "hi"
79 beginsuglyph("uni31F6",246);
80 tsu_xform(tsu_xf.smallkana)(tsu_curve.kata.hi);
81 tsu_render;
82 endsuglyph;
83

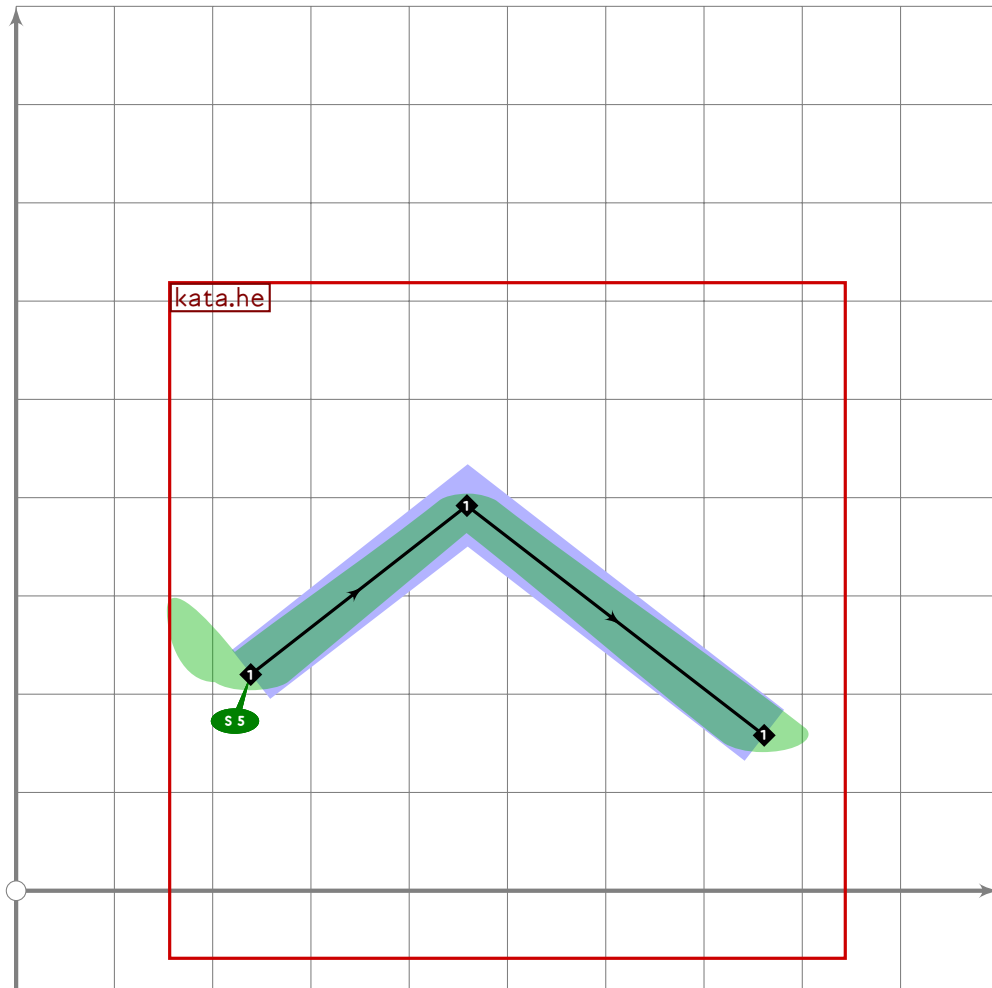
```



```

84 % katakana "fu"
85 begint Suglyph("uni31F7";247);
86 tsu_xform(tsu_xf.smallkana)(tsu_curve.kata.fu);
87 tsu_render;
88 endtsuglyph;
89

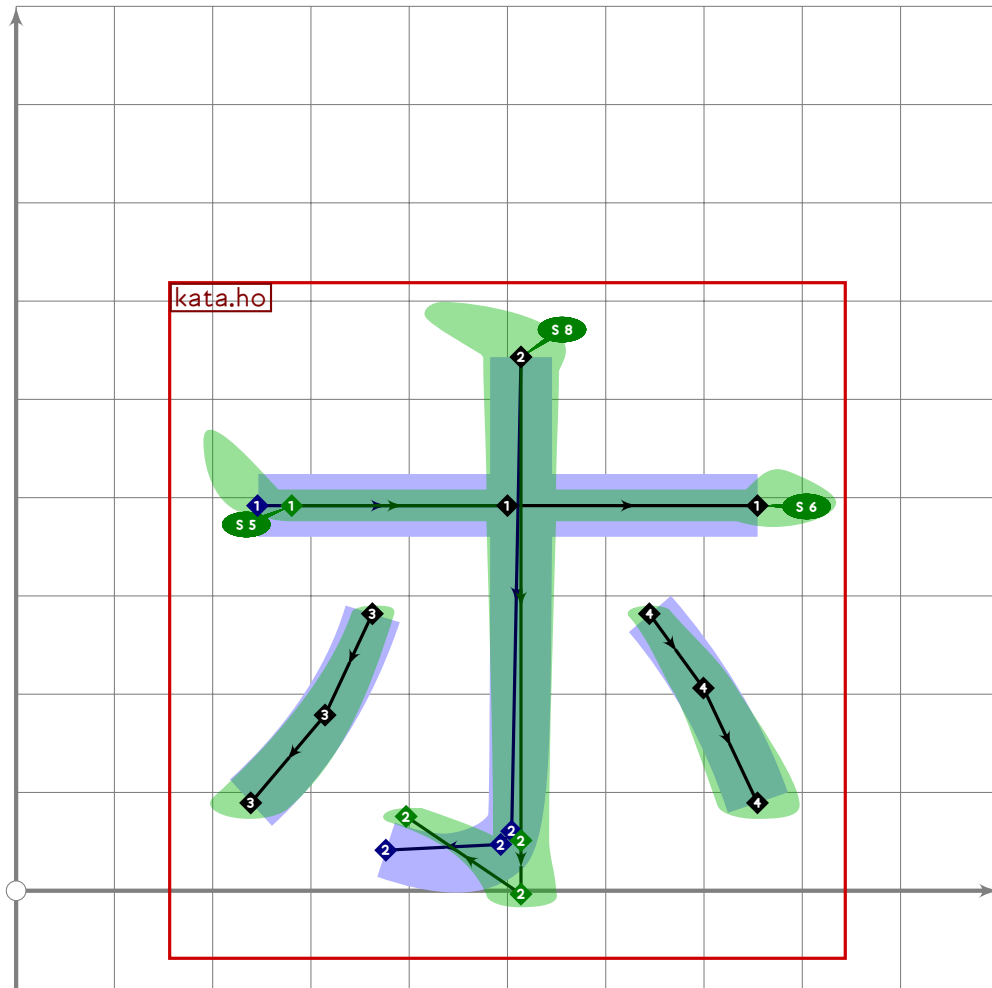
```



```

90 % katakana "he"
91 begint Suglyph("uni31F8";248);
92 tsu_xform(tsu_xf.smallkana)(tsu_curve.kata.he);
93 tsu_render;
94 endtsuglyph;
95

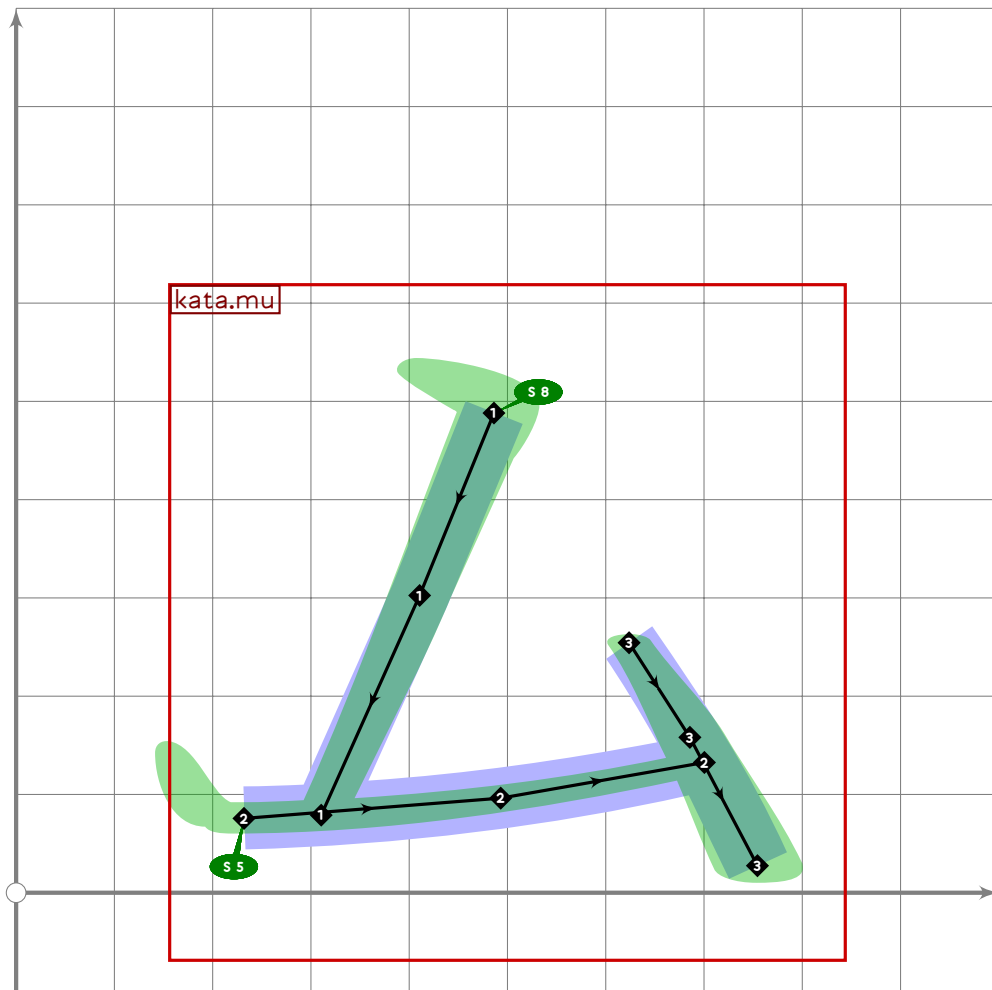
```



```

96 % katakana "ho"
97 beginsuglyph("uni31F9";249);
98 tsu_xform(tsu_xf.smallkana)(tsu_curve.kata.ho);
99 tsu_render;
100 endsuglyph;
101

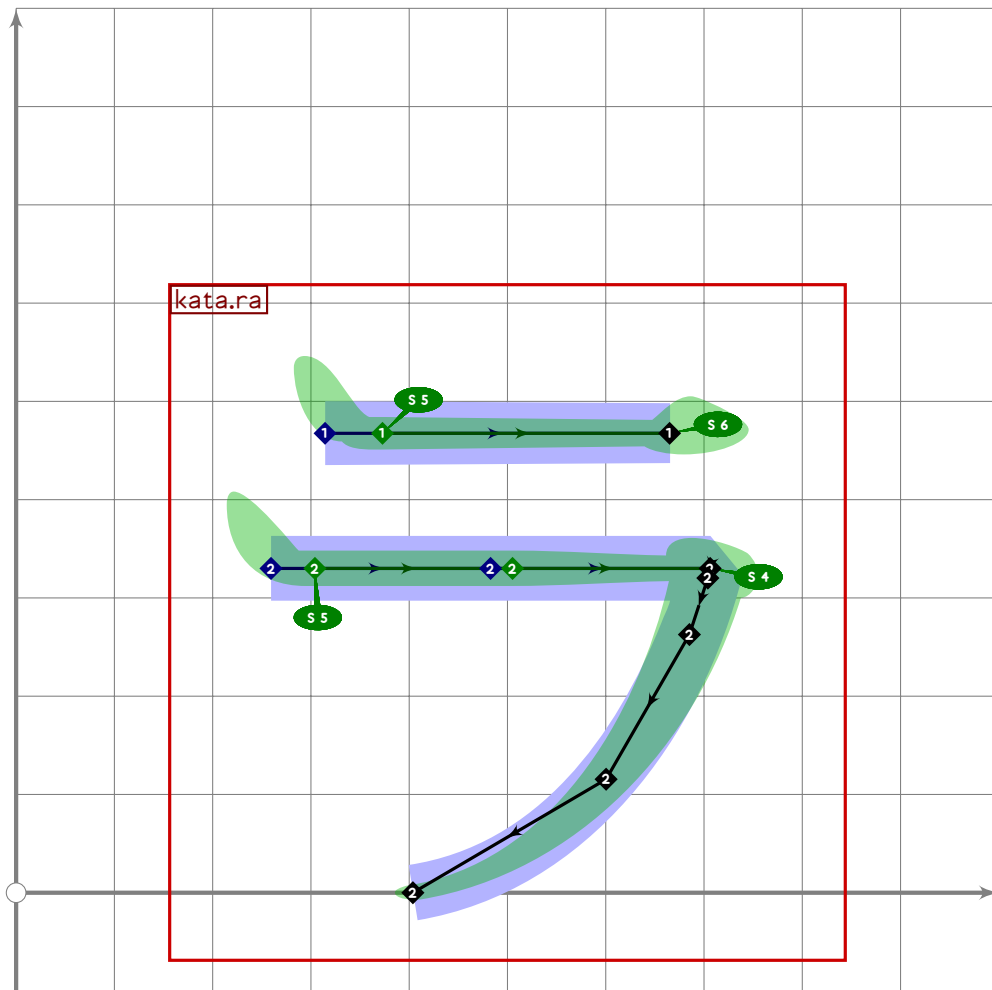
```



```

102 % katakana "mu"
103 begint Suglyph("uni31FA";250);
104 tsu_xform(tsu_xf.smallkana)(tsu_curve.kata.mu);
105 tsu_render;
106 endtsuglyph;
107

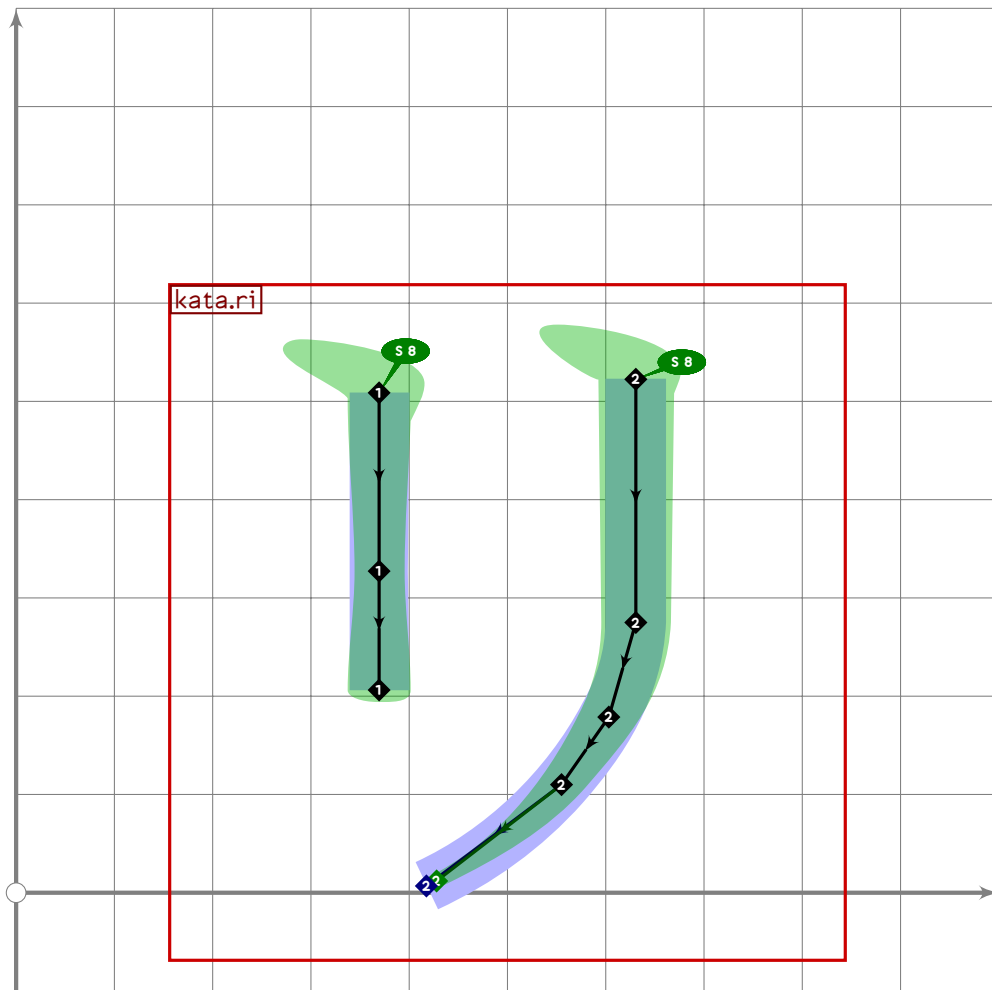
```

```

108 % katakana "ra"
109 begint Suglyph("uni31FB";251);
110 tsu_xform(tsu_xf.smallkana)(tsu_curve.kata.ra);
111 tsu_render;
112 endtsuglyph;
113

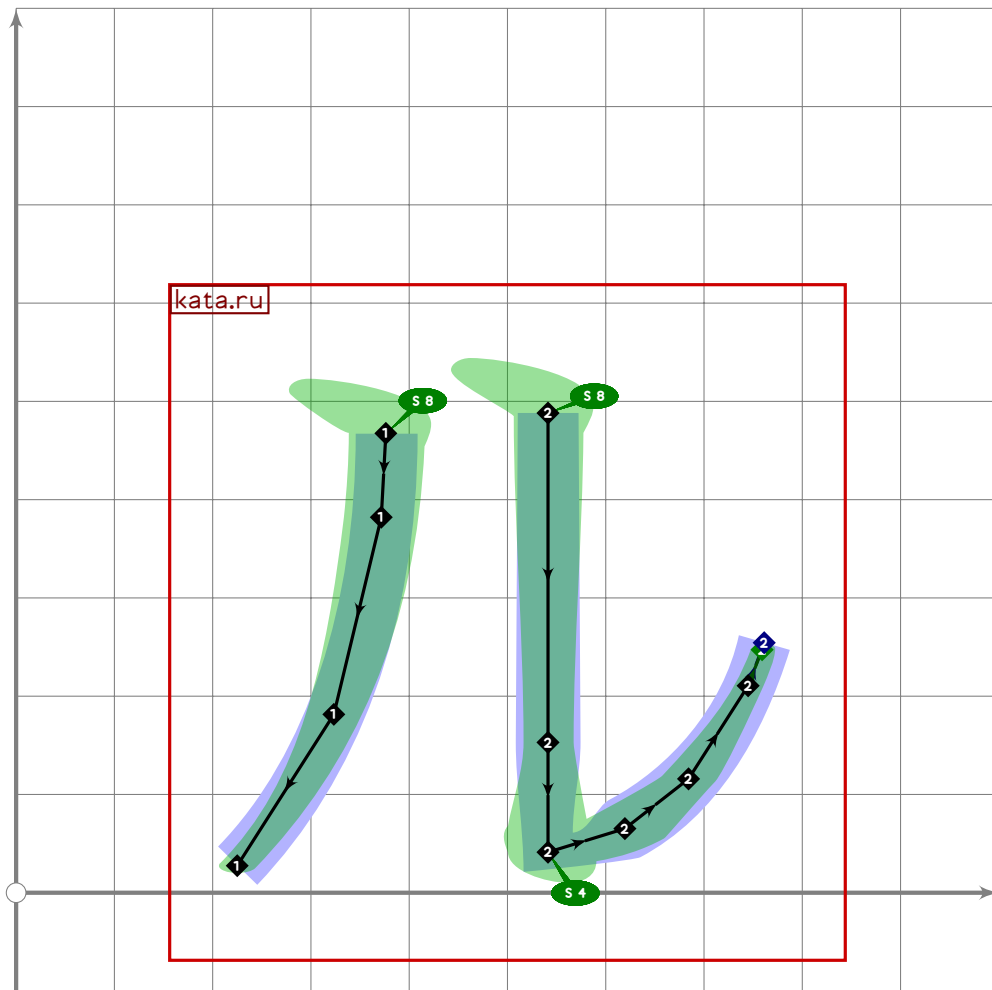
```



```

114 % katakana "ri"
115 begint Suglyph("uni31FC";252);
116 tsu_xform(tsu_xf.smallkana)(tsu_curve.kata.ri);
117 tsu_render;
118 endtsuglyph;
119

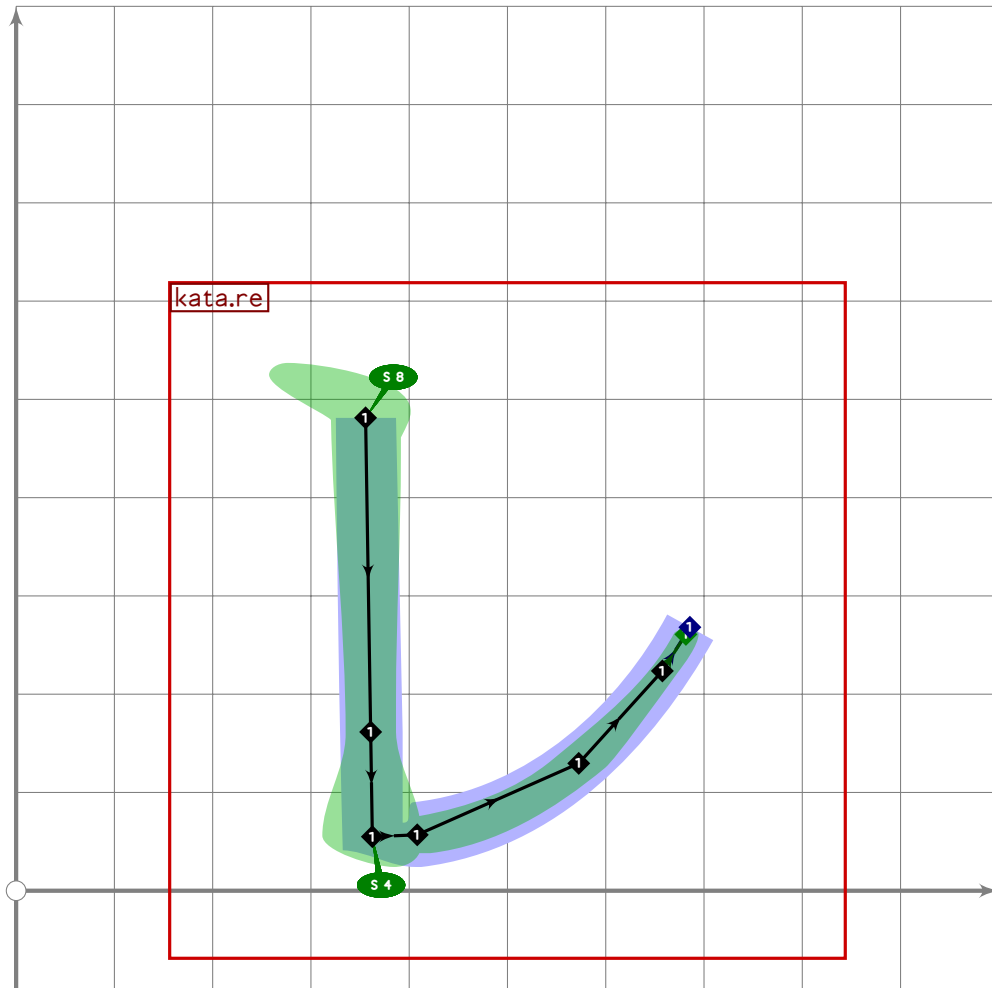
```



```

120 % katakana "ru"
121 begint Suglyph("uni31FD";253);
122 tsu_xform(tsu_xf.smallkana)(tsu_curve.kata.ru);
123 tsu_render;
124 endtsuglyph;
125

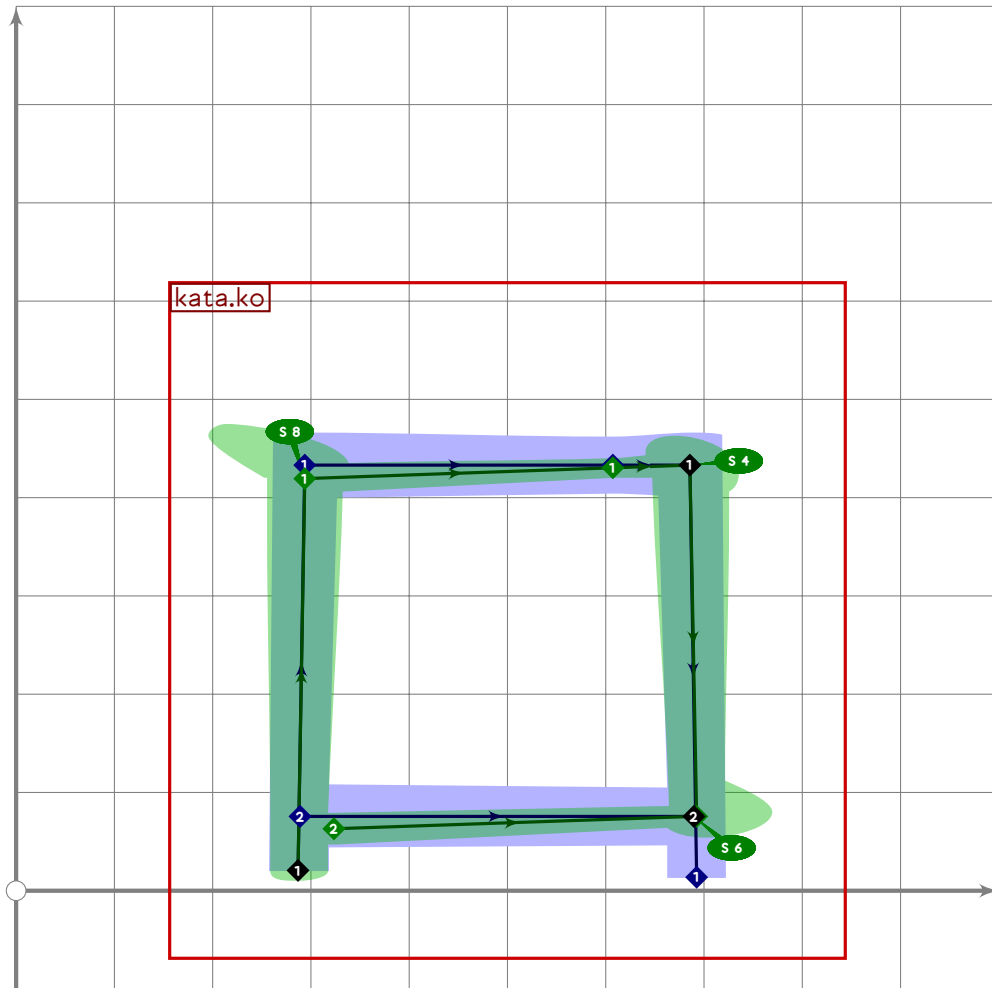
```



```

126 % katakana "re"
127 begint Suglyph("uni31FE";254);
128 tsu_xform(tsu_xf.smallkana)(tsu_curve.kata.re);
129 tsu_render;
130 endtsuglyph;
131

```



```

132 % katakana "ro"
133 beginsuglyph("uni31FF";255);
134 tsu_xform(tsu_xf.smallkana)(tsu_curve.kata.ro);
135 tsu_render;
136 endsuglyph;
137
138 _____
139
140 endfont;
141
142 _____

```

tsuku-32.mp

```
1 %
2 % Unicode page 32 (Enclosed Alpha and Katakana) for Tsukurimashou
3 % Copyright (C) 2011 Matthew Skala
4 %
5-29 [Standard copyright notice]
30
31 

---

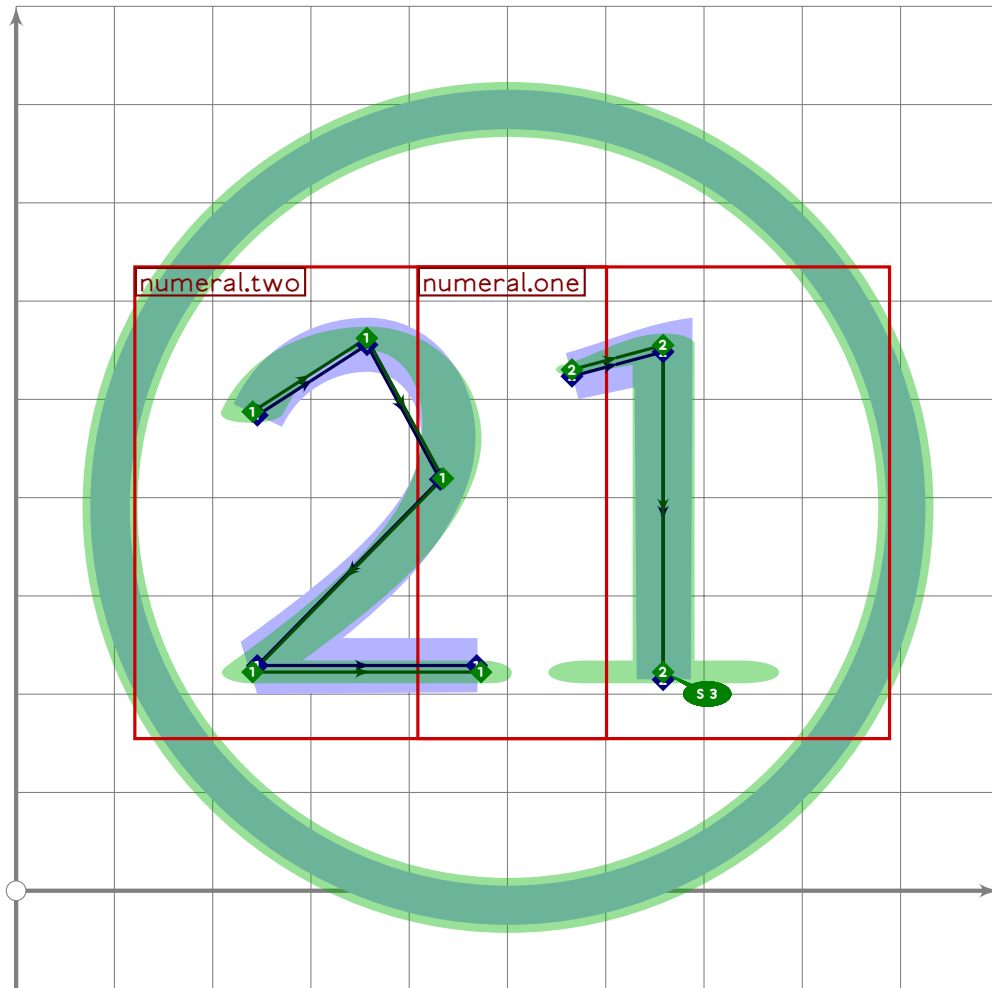

32
33 beginfont
34
35 input latin-intro.mp;
36
37 % AUTODEPS
38 input enclosed.mp;
39 input katakana.mp;
40 input numerals.mp;
41
42 

---


43
```

Circled Numerals

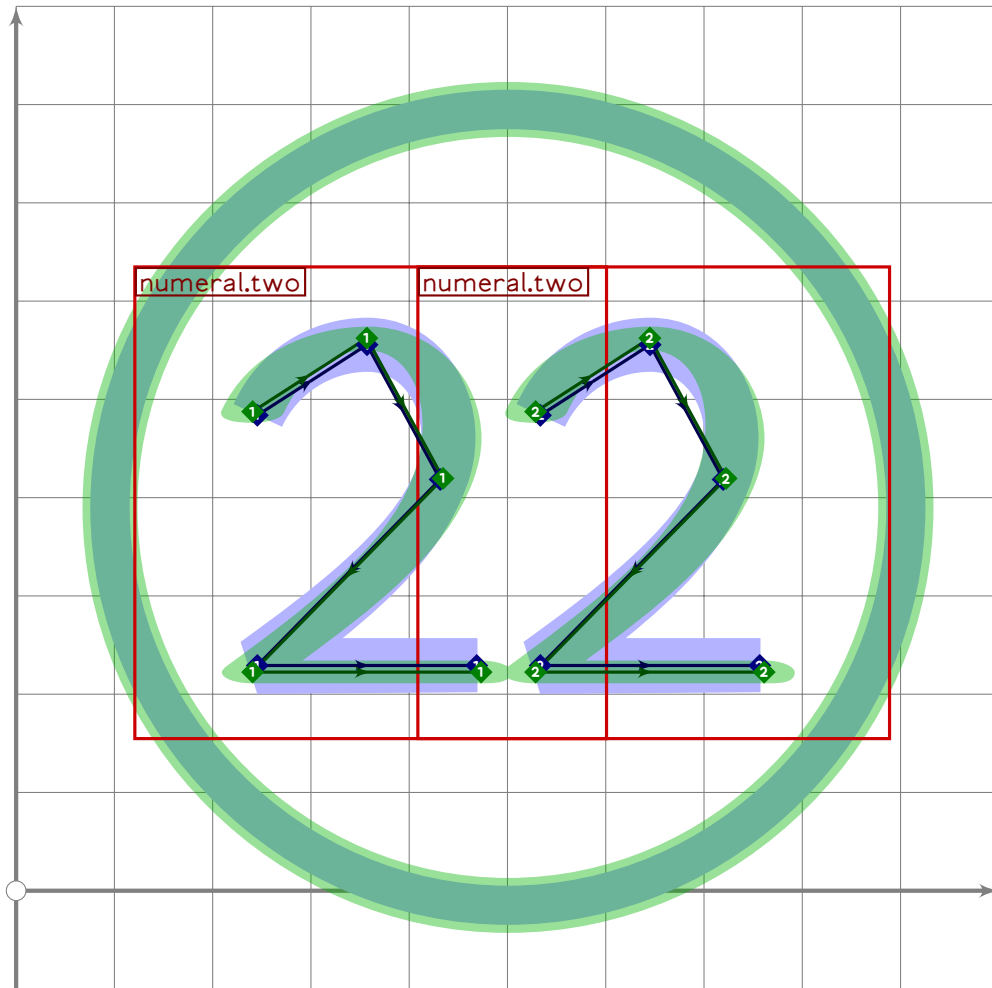
```
44 % CIRCLED NUMERALS
45
```



```

46 % 21
47 begint Suglyph("uni3251";81);
48   tsu_curve.circle.single;
49   tsu_xform(tsu_xf.ctwo.left)(tsu_curve.numeral.two);
50   numeric x[],y[];
51   tsu_xform(tsu_xf.ctwo.right)(tsu_curve.numeral.one);
52   tsu_render;
53 endtsuglyph;
54

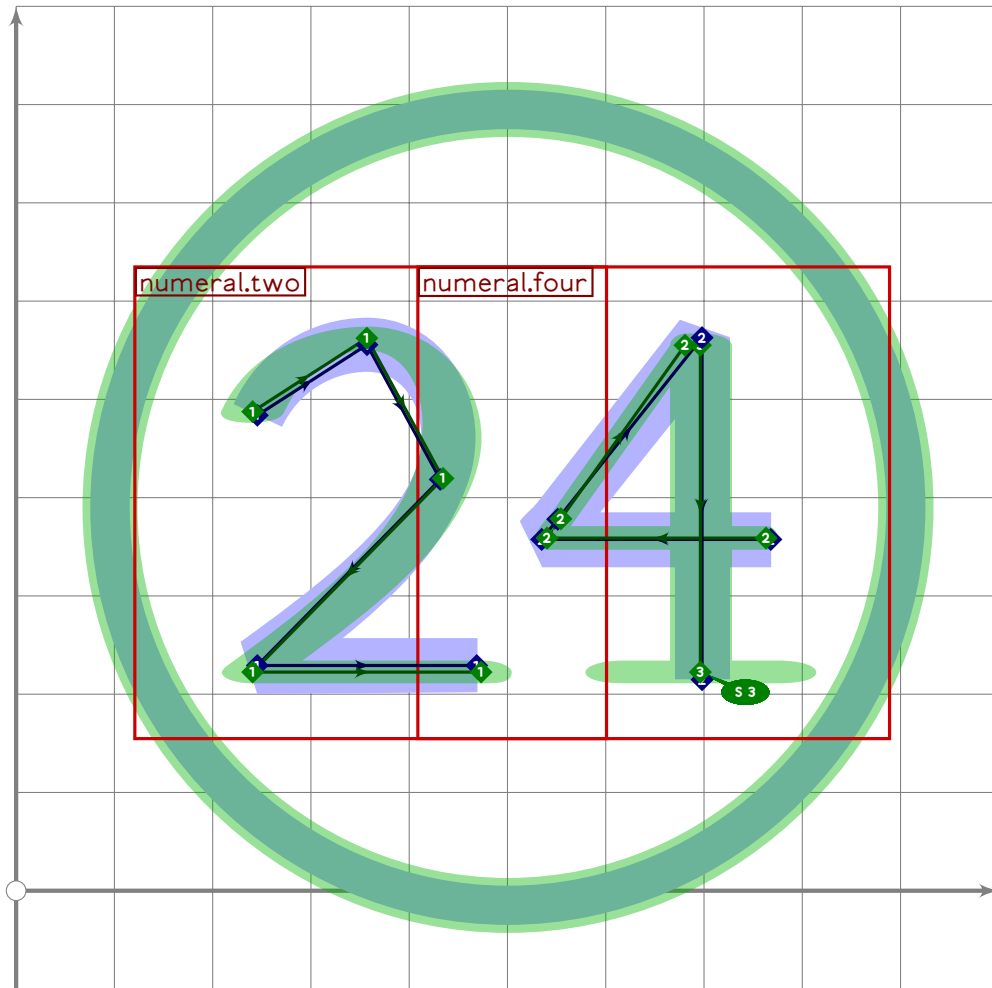
```



```

55 % 22
56 begintuglyph("uni3252";82);
57   tsu_curve.circle.single;
58   tsu_xform(tsu_xf.ctwo.left)(tsu_curve.numeral.two);
59   numeric x[],y[];
60   tsu_xform(tsu_xf.ctwo.right)(tsu_curve.numeral.two);
61   tsu_render;
62 endtuglyph;
63

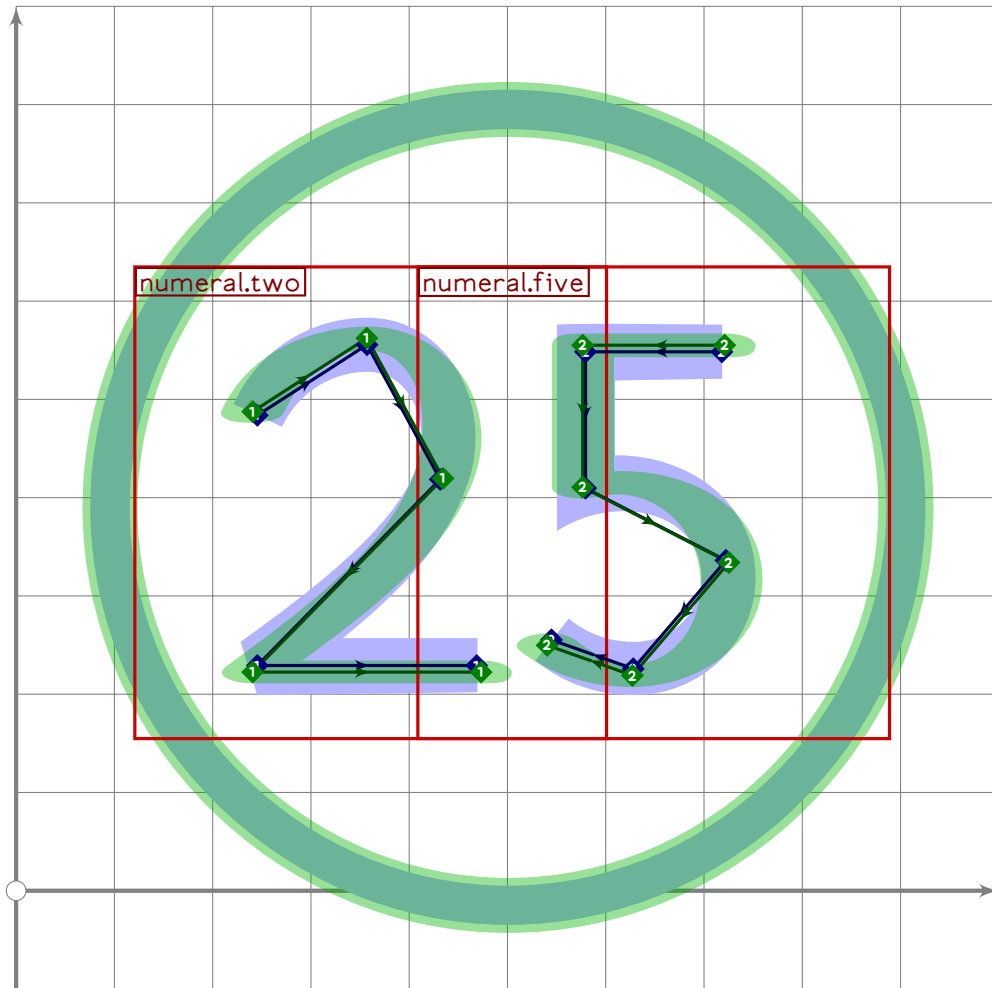
```

```

73 % 24
74 begint Suglyph("uni3254";84);
75   tsu_curve.circle.single;
76   tsu_xform(tsu_xf.ctwo.left)(tsu_curve.numeral.two);
77   numeric x[],y[];
78   tsu_xform(tsu_xf.ctwo.right)(tsu_curve.numeral.four);
79   tsu_render;
80 endtsuglyph;
81

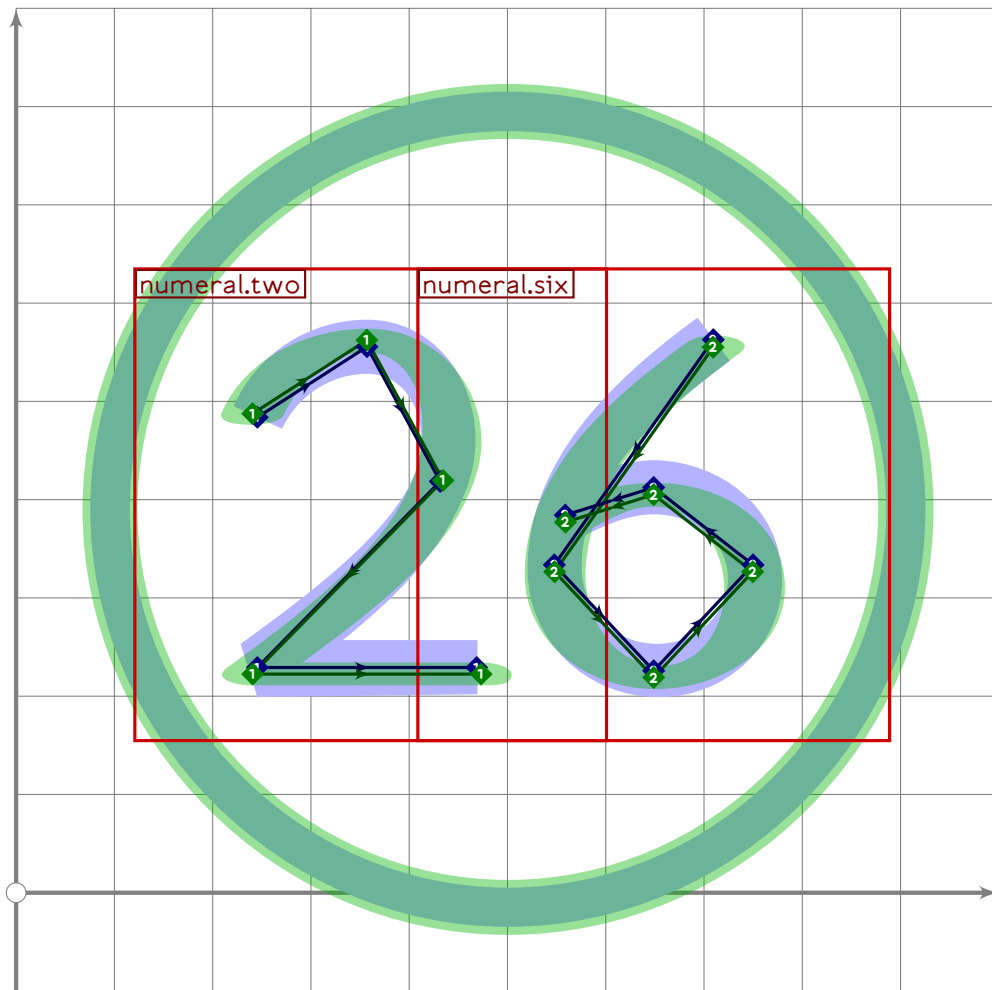
```



```

82 % 25
83 begint Suglyph("uni3255";85);
84 tsu_curve.circle.single;
85 tsu_xform(tsu_xf.ctwo.left)(tsu_curve.numeral.two);
86 numeric x[],y[];
87 tsu_xform(tsu_xf.ctwo.right)(tsu_curve.numeral.five);
88 tsu_render;
89 endtsuglyph;
90

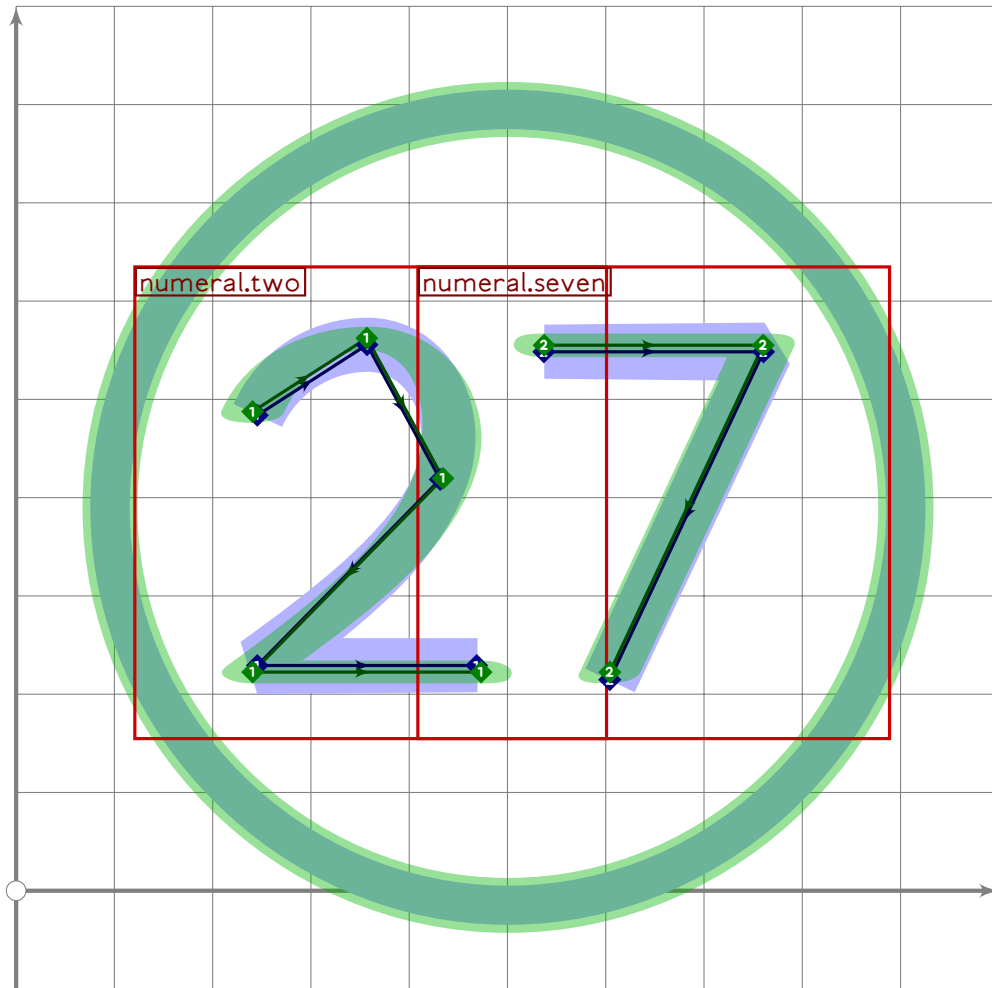
```



```

91 % 26
92 begint Suglyph("uni3256";86);
93   tsu_curve.circle.single;
94   tsu_xform(tsu_xf.ctwo.left)(tsu_curve.numeral.two);
95   numeric x[],y[];
96   tsu_xform(tsu_xf.ctwo.right)(tsu_curve.numeral.six);
97   tsu_render;
98 endtsuglyph;
99

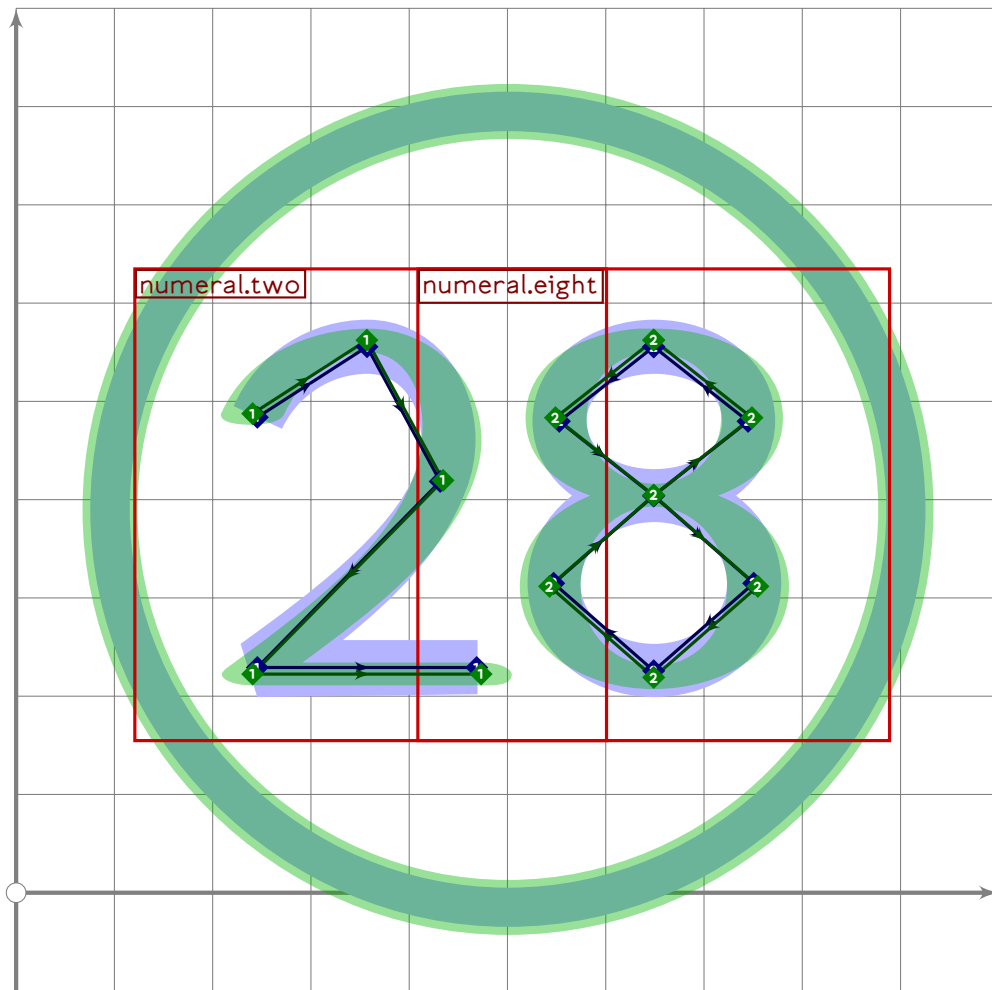
```



```

100 % 27
101 begint Suglyph("uni3257";87);
102 tsu_curve.circle.single;
103 tsu_xform(tsu_xf.ctwo.left)(tsu_curve.numeral.two);
104 numeric x[],y[];
105 tsu_xform(tsu_xf.ctwo.right)(tsu_curve.numeral.seven);
106 tsu_render;
107 endtsuglyph;
108

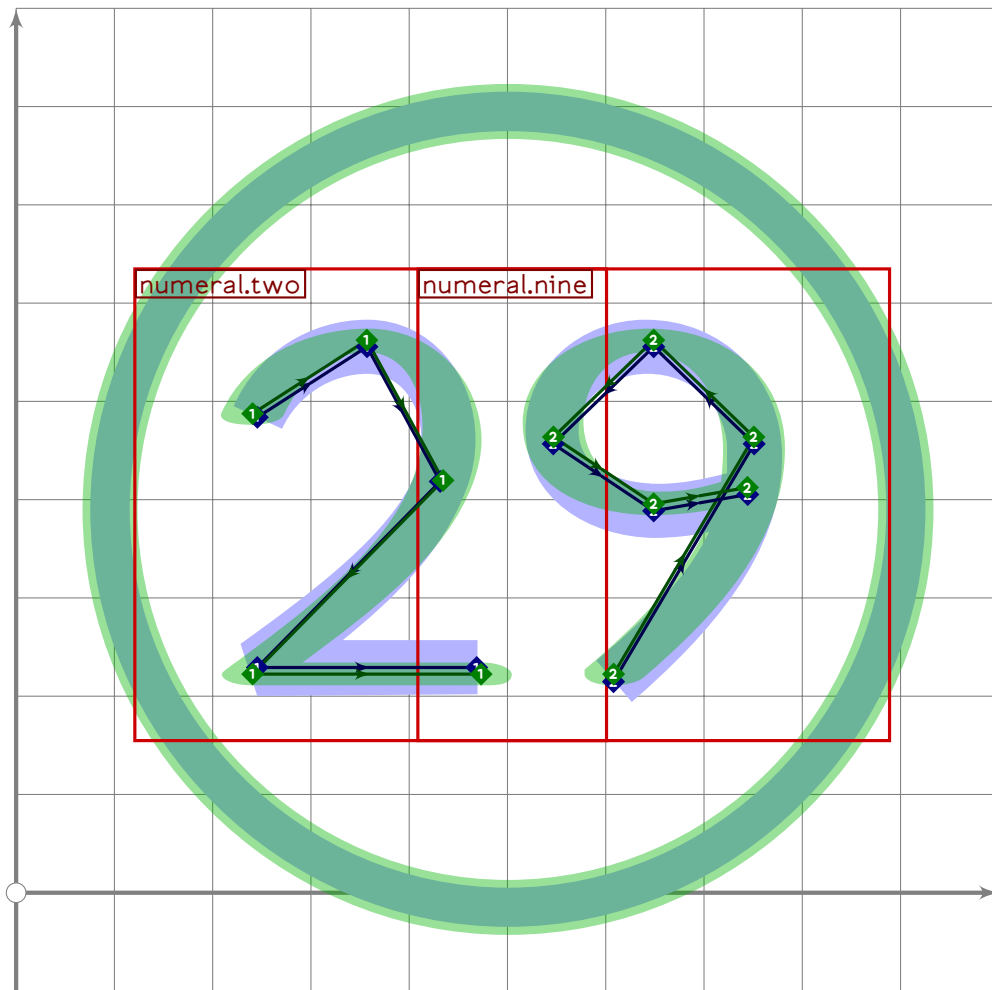
```



```

109 % 28
110 begint Suglyph("uni3258",88);
111   tsu_curve.circle.single;
112   tsu_xform(tsu_xf.ctwo.left)(tsu_curve.numeral.two);
113   numeric x[],y[];
114   tsu_xform(tsu_xf.ctwo.right)(tsu_curve.numeral.eight);
115   tsu_render;
116 endtsuglyph;
117

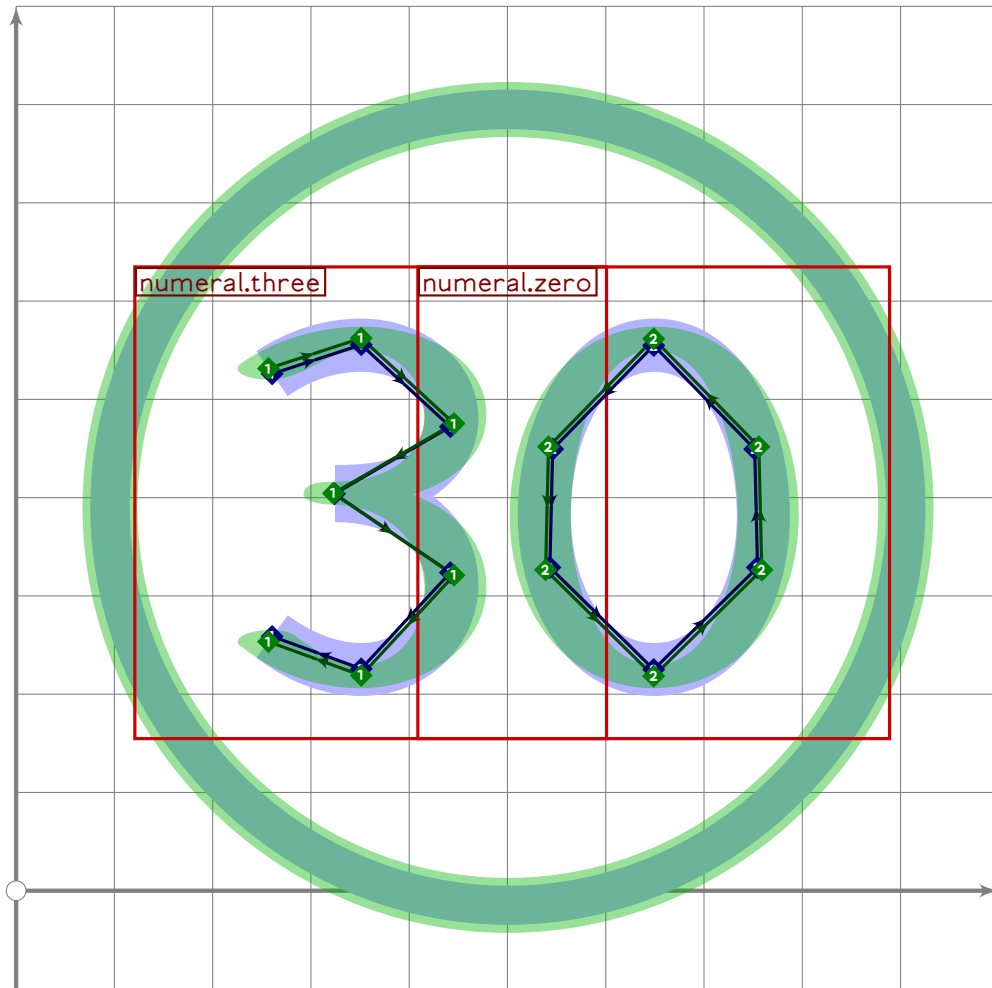
```



```

118 % 29
119 begint Suglyph("uni3259";89);
120 tsu_curve.circle.single;
121 tsu_xform(tsu_xf.ctwo.left)(tsu_curve.numeral.two);
122 numeric x[],y[];
123 tsu_xform(tsu_xf.ctwo.right)(tsu_curve.numeral.nine);
124 tsu_render;
125 endtsuglyph;
126

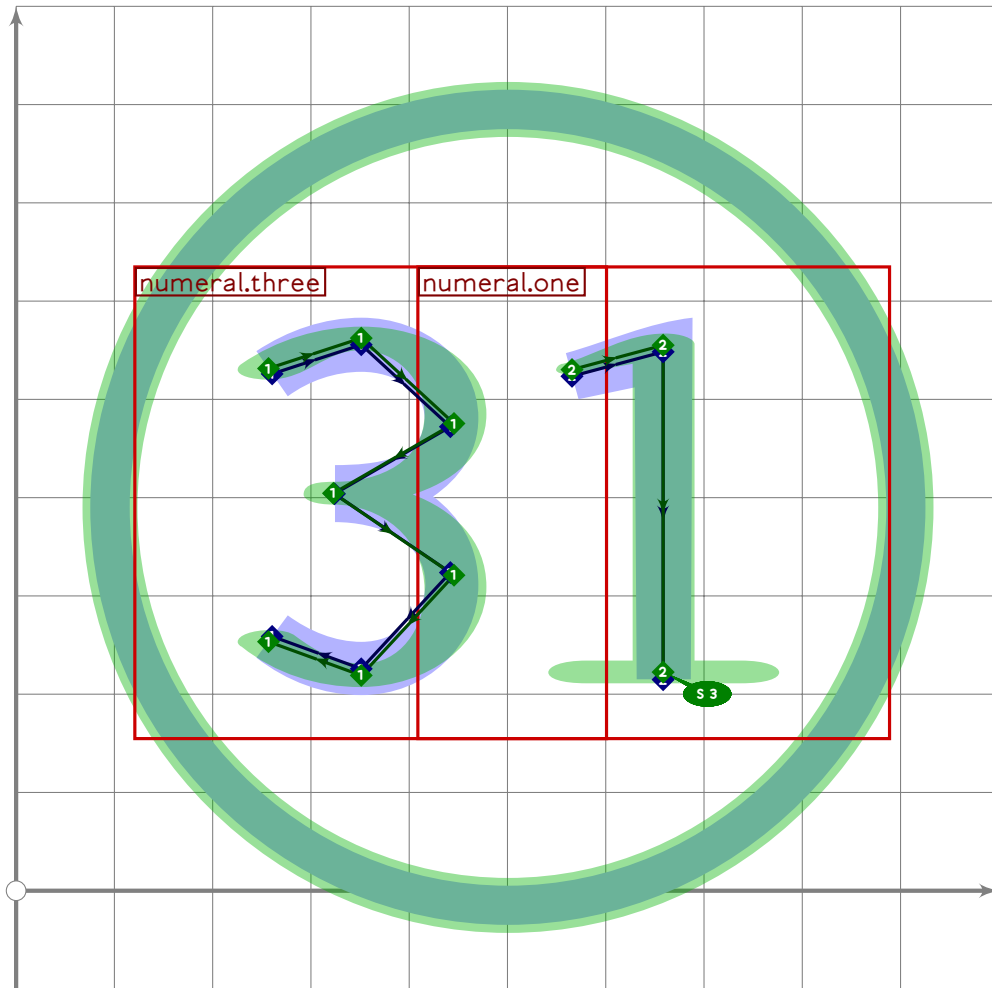
```



```

127 % 30
128 begint Suglyph("uni325A";90);
129   tsu_curve.circle.single;
130   tsu_xform(tsu_xf.ctwo.left)(tsu_curve.numeral.three);
131   numeric x[],y[];
132   tsu_xform(tsu_xf.ctwo.right)(tsu_curve.numeral.zero);
133   tsu_render;
134 endtsuglyph;
135

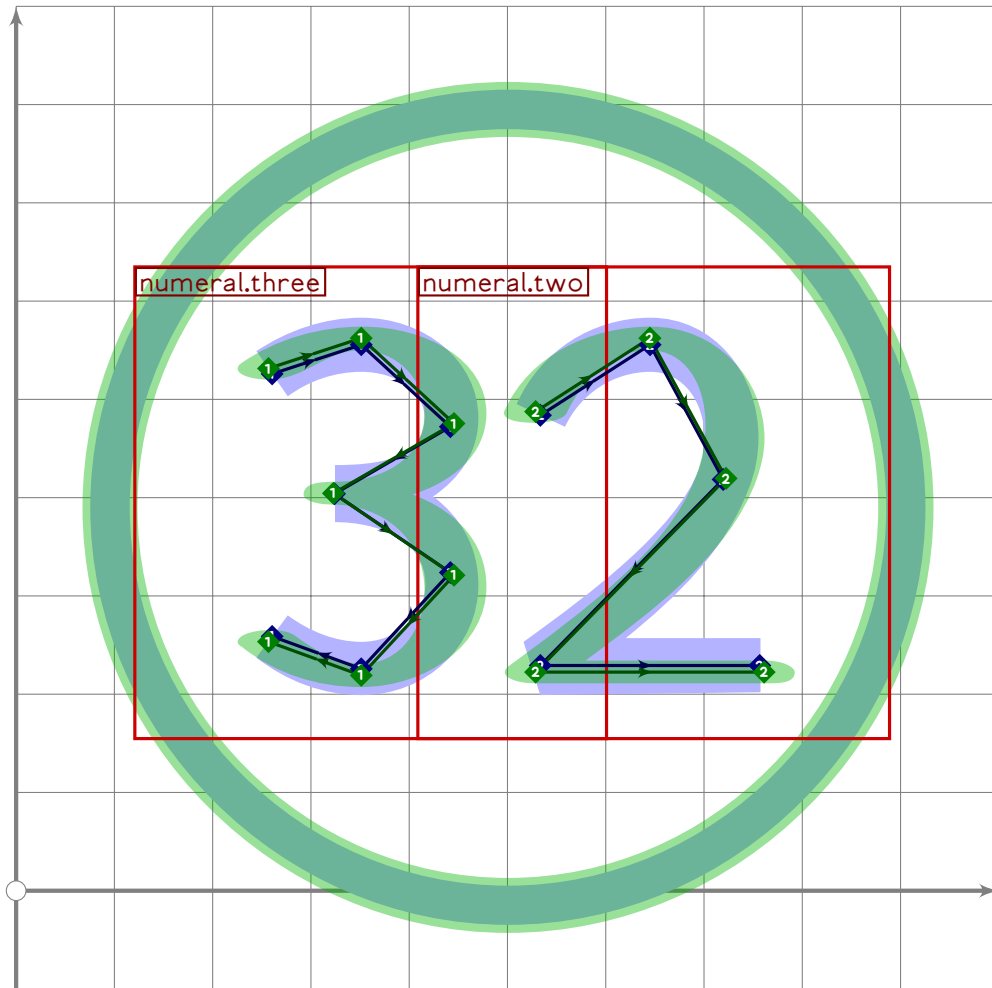
```

```

136 % 31
137 begint Suglyph("uni325B";91);
138   tsu_curve.circle.single;
139   tsu_xform(tsu_xf.ctwo.left)(tsu_curve.numeral.three);
140   numeric x[],y[];
141   tsu_xform(tsu_xf.ctwo.right)(tsu_curve.numeral.one);
142   tsu_render;
143 endtsuglyph;
144

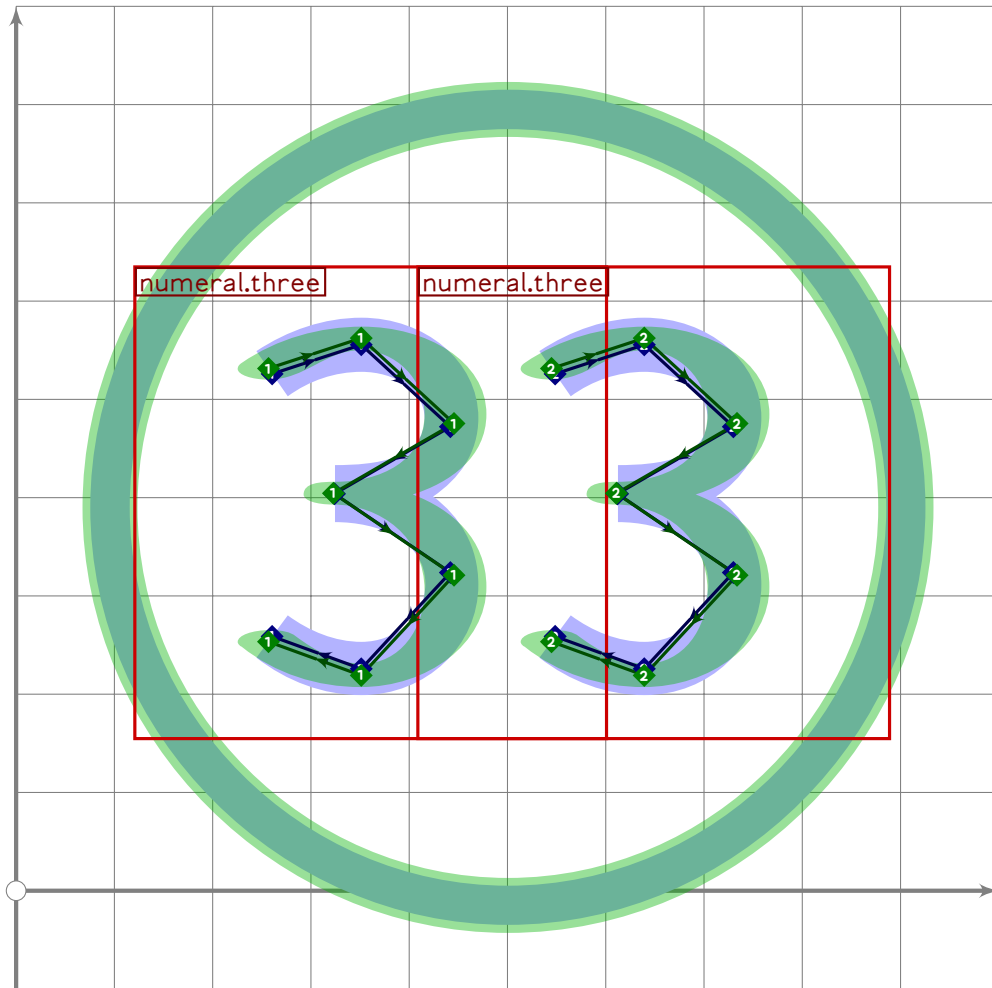
```



```

145 % 32
146 begint Suglyph("uni325C";92);
147   tsu_curve.circle.single;
148   tsu_xform(tsu_xf.ctwo.left)(tsu_curve.numeral.three);
149   numeric x[],y[];
150   tsu_xform(tsu_xf.ctwo.right)(tsu_curve.numeral.two);
151   tsu_render;
152 endtsuglyph;
153

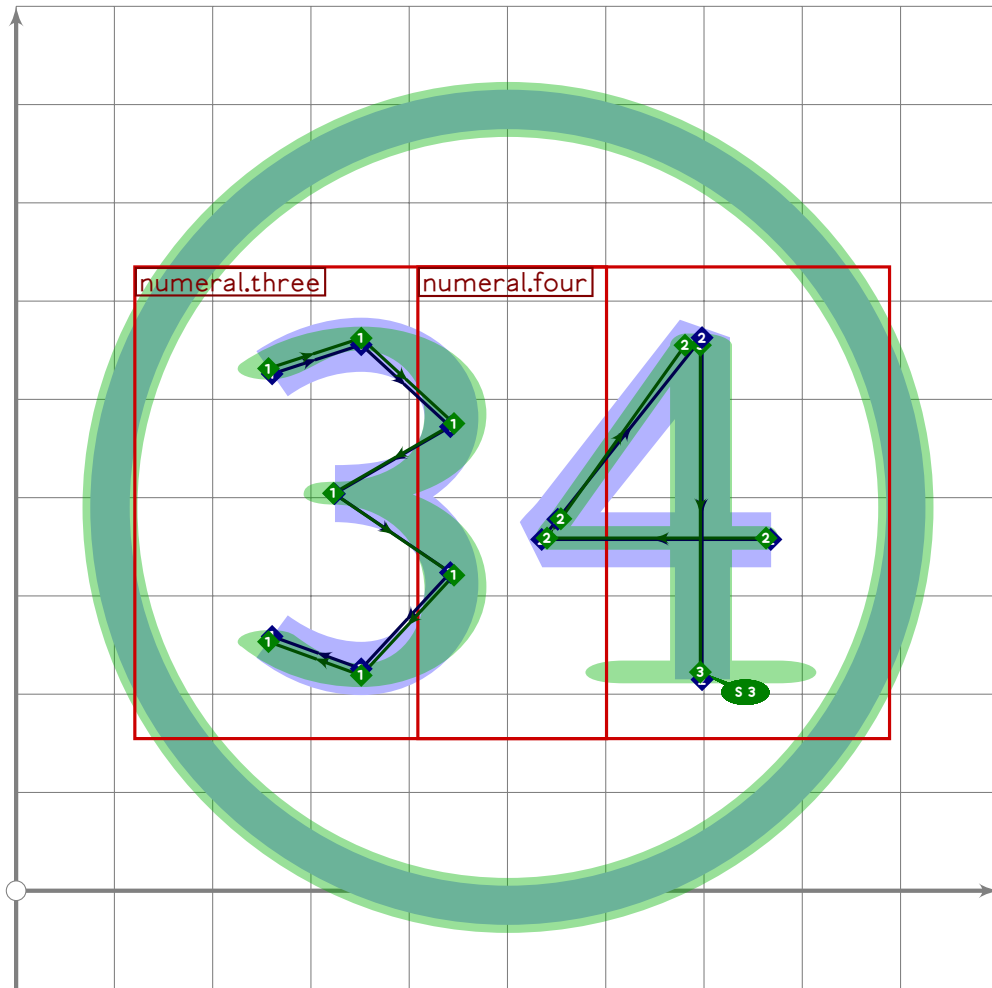
```



```

154 % 33
155 begint Suglyph("uni325D";93);
156   tsu_curve.circle.single;
157   tsu_xform(tsu_xf.ctwo.left)(tsu_curve.numeral.three);
158   numeric x[],y[];
159   tsu_xform(tsu_xf.ctwo.right)(tsu_curve.numeral.three);
160   tsu_render;
161   endtsuglyph;
162

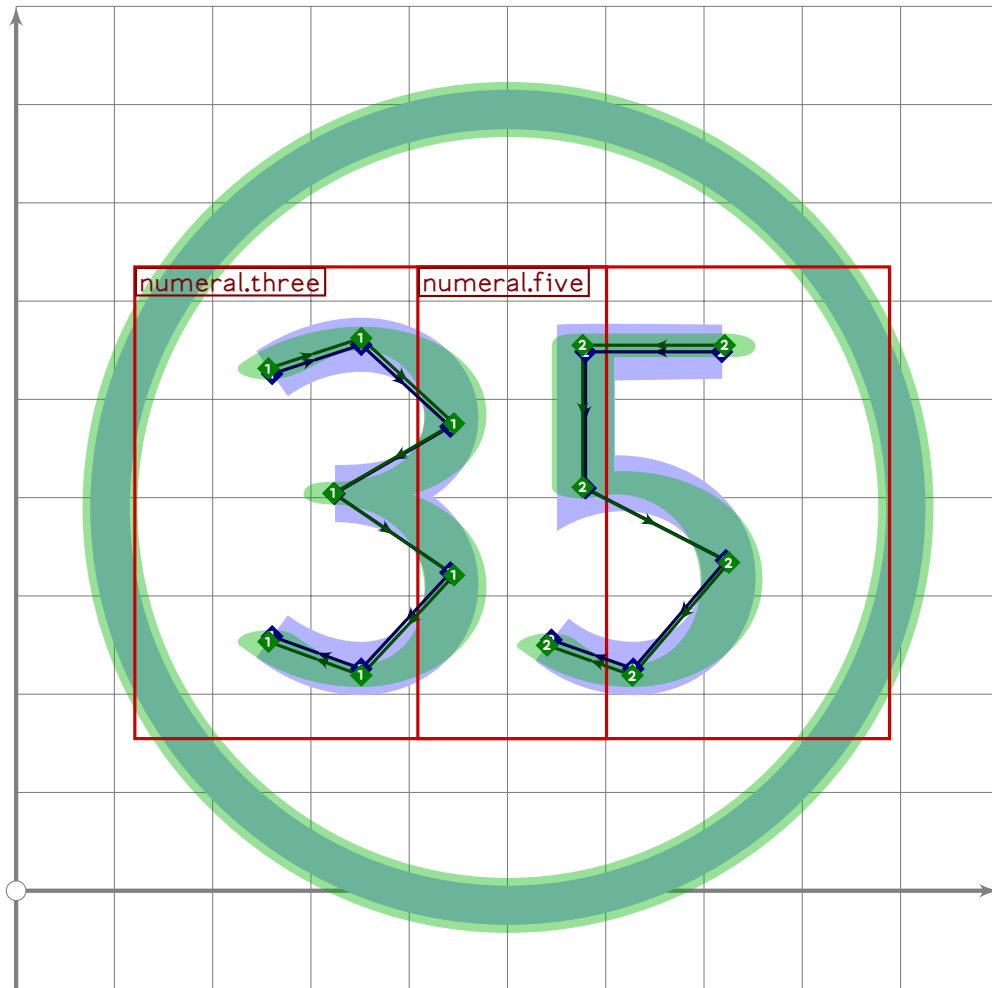
```



```

163 % 34
164 begint Suglyph("uni325E";94);
165   tsu_curve.circle.single;
166   tsu_xform(tsu_xf.ctwo.left)(tsu_curve.numeral.three);
167   numeric x[],y[];
168   tsu_xform(tsu_xf.ctwo.right)(tsu_curve.numeral.four);
169   tsu_render;
170 endtsuglyph;
171

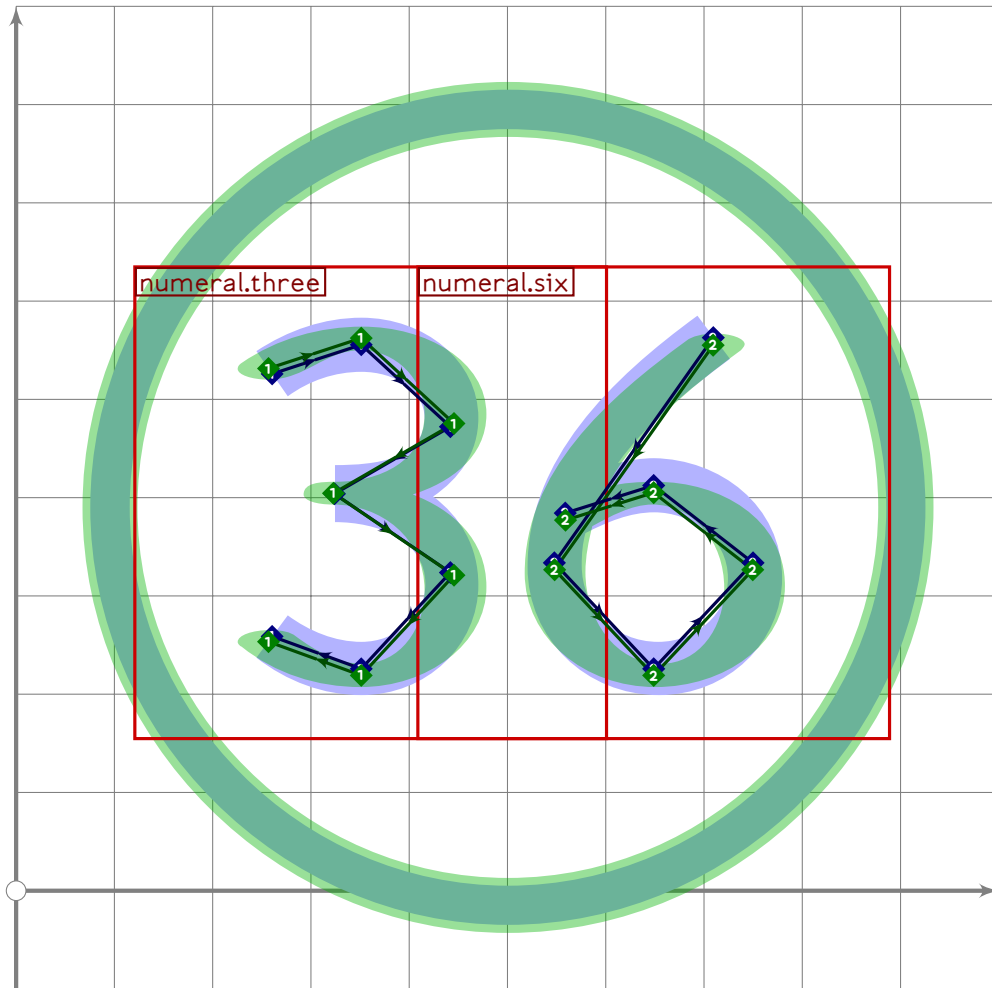
```



```

172 % 35
173 begint Suglyph("uni325F";95);
174   tsu_curve.circle.single;
175   tsu_xform(tsu_xf.ctwo.left)(tsu_curve.numeral.three);
176   numeric x[],y[];
177   tsu_xform(tsu_xf.ctwo.right)(tsu_curve.numeral.five);
178   tsu_render;
179 endtsuglyph;
180
181 % WARNING discontinuous
182

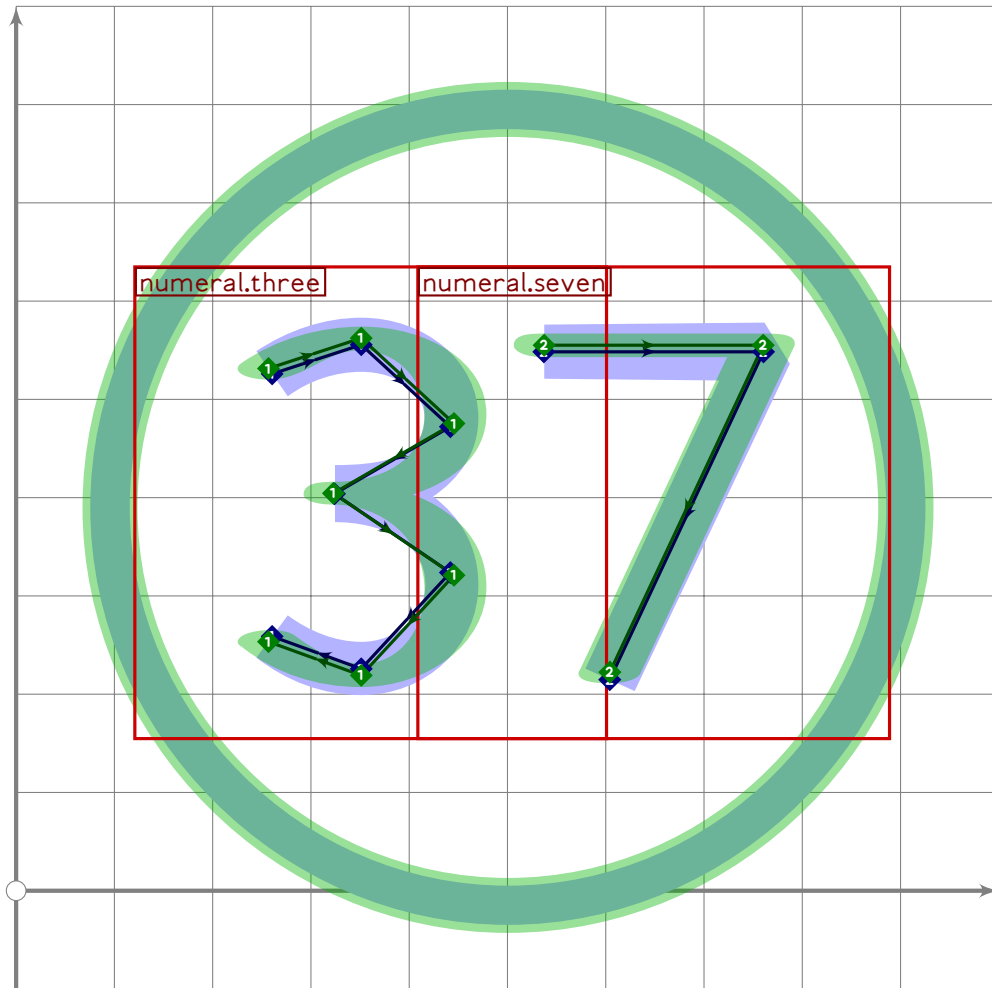
```



```

183 % 36
184 begint Suglyph("uni32B1";177);
185   tsu_curve.circle.single;
186   tsu_xform(tsu_xf.ctwo.left)(tsu_curve.numeral.three);
187   numeric x[],y[];
188   tsu_xform(tsu_xf.ctwo.right)(tsu_curve.numeral.six);
189   tsu_render;
190 endtsuglyph;
191

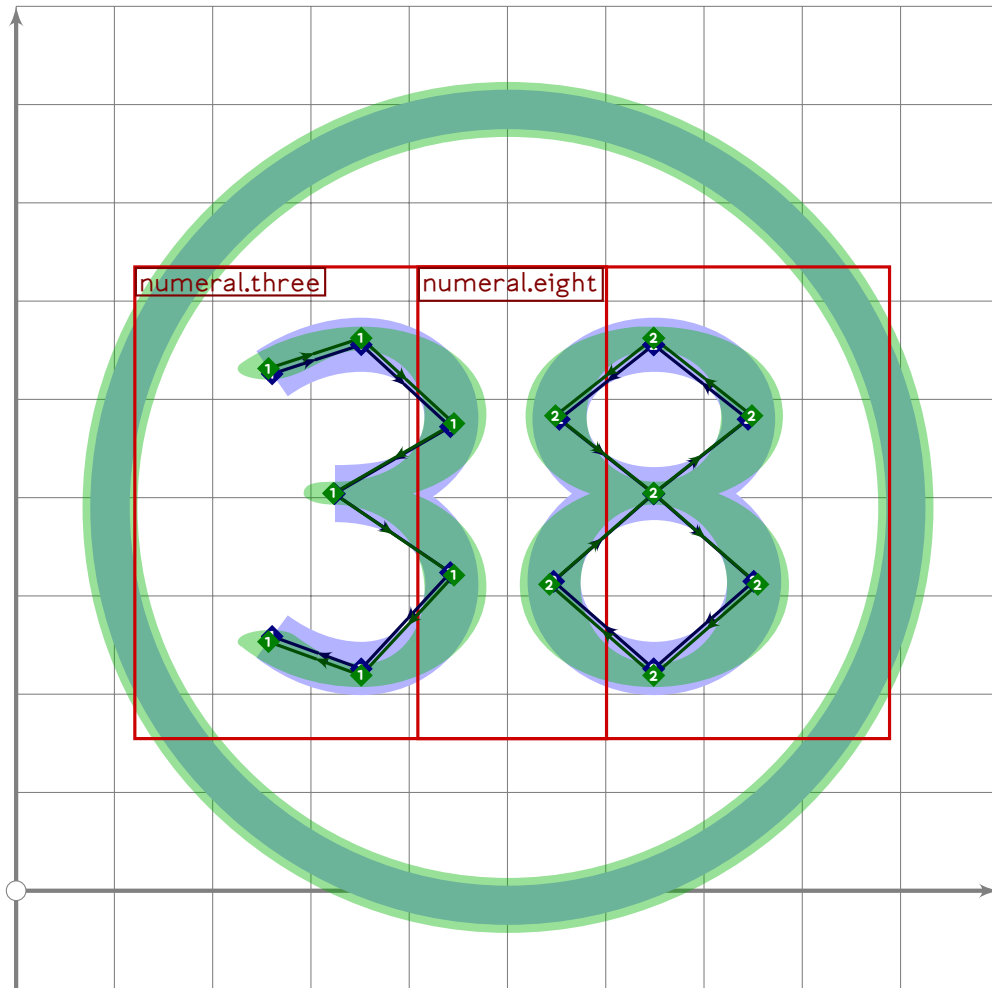
```



```

192 % 37
193 begint Suglyph("uni32B2",178);
194   tsu_curve.circle.single;
195   tsu_xform(tsu_xf.ctwo.left)(tsu_curve.numeral.three);
196   numeric x[],y[];
197   tsu_xform(tsu_xf.ctwo.right)(tsu_curve.numeral.seven);
198   tsu_render;
199 endtsuglyph;
200

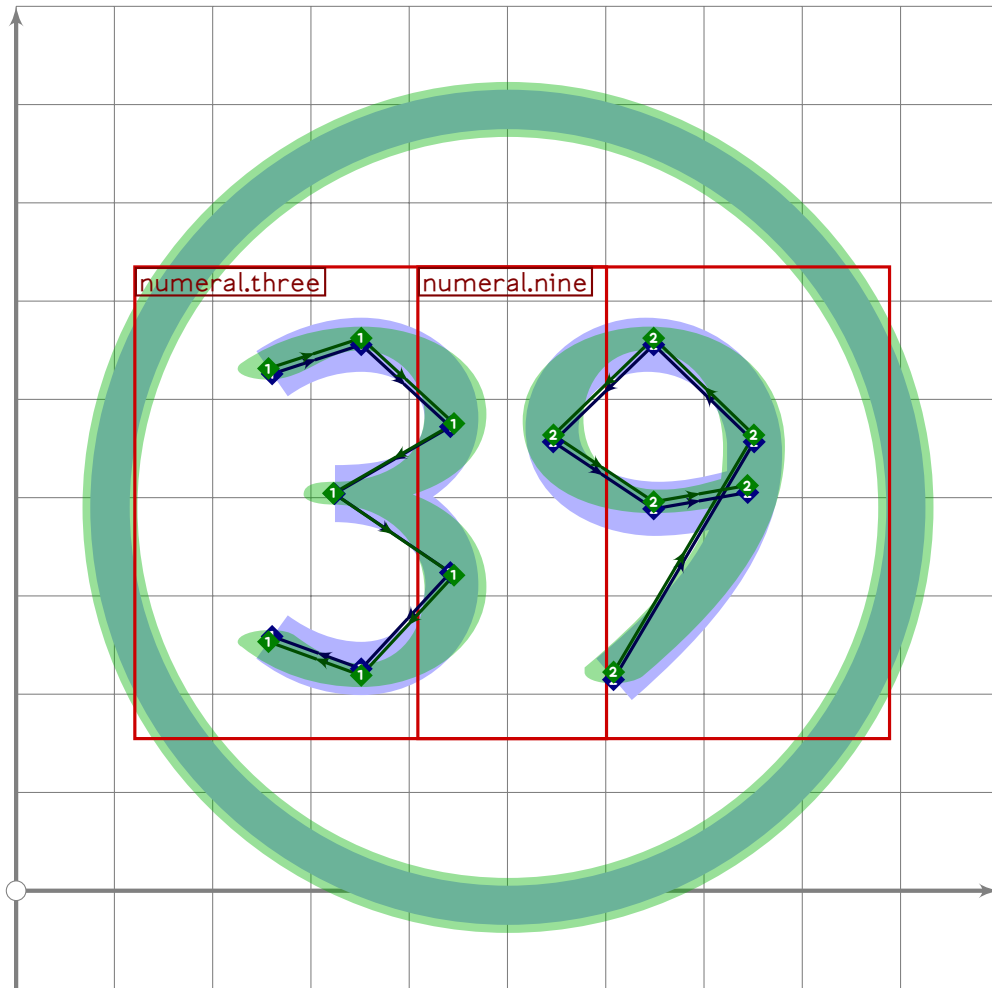
```



```

201 % 38
202 begint Suglyph("uni32B3";179);
203   tsu_curve.circle.single;
204   tsu_xform(tsu_xf.ctwo.left)(tsu_curve.numeral.three);
205   numeric x[],y[];
206   tsu_xform(tsu_xf.ctwo.right)(tsu_curve.numeral.eight);
207   tsu_render;
208 endtsuglyph;
209

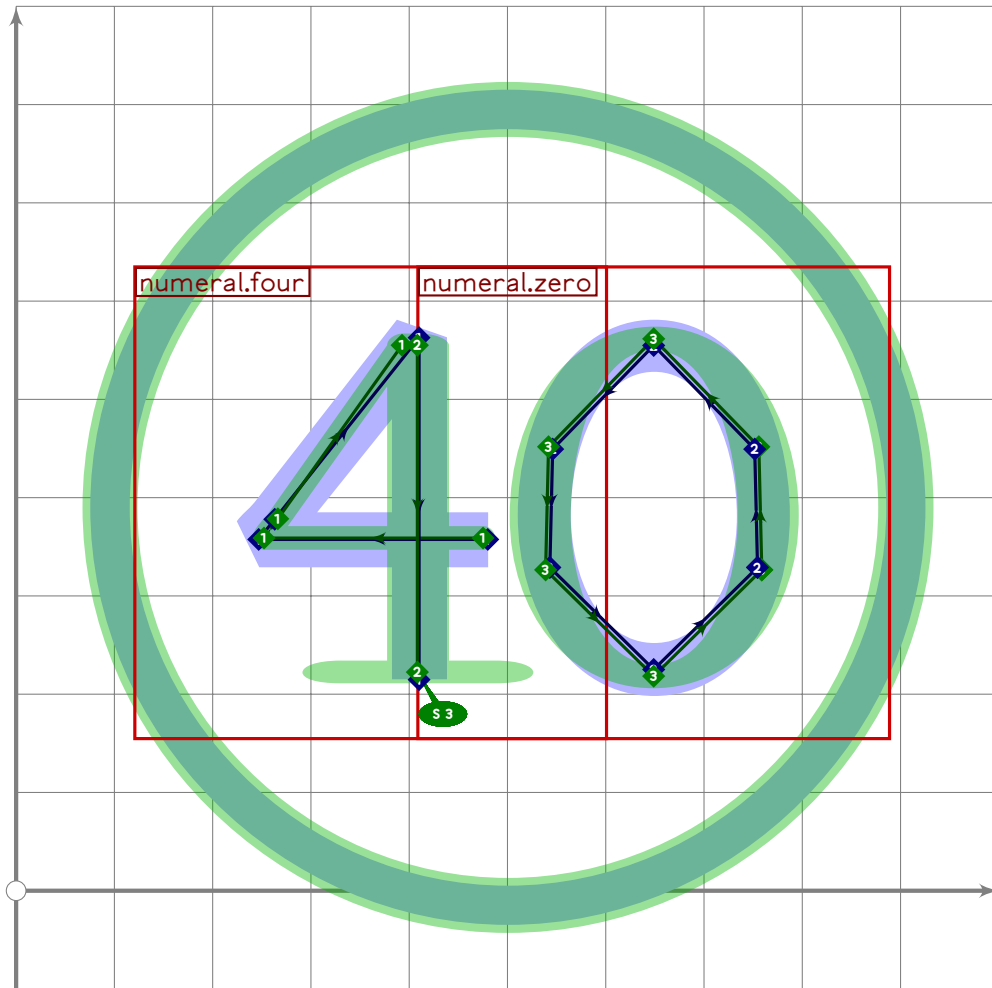
```

```

210 % 39
211 begint Suglyph("uni32B4",180);
212   tsu_curve.circle.single;
213   tsu_xform(tsu_xf.ctwo.left)(tsu_curve.numeral.three);
214   numeric x[],y[];
215   tsu_xform(tsu_xf.ctwo.right)(tsu_curve.numeral.nine);
216   tsu_render;
217 endtsuglyph;
218

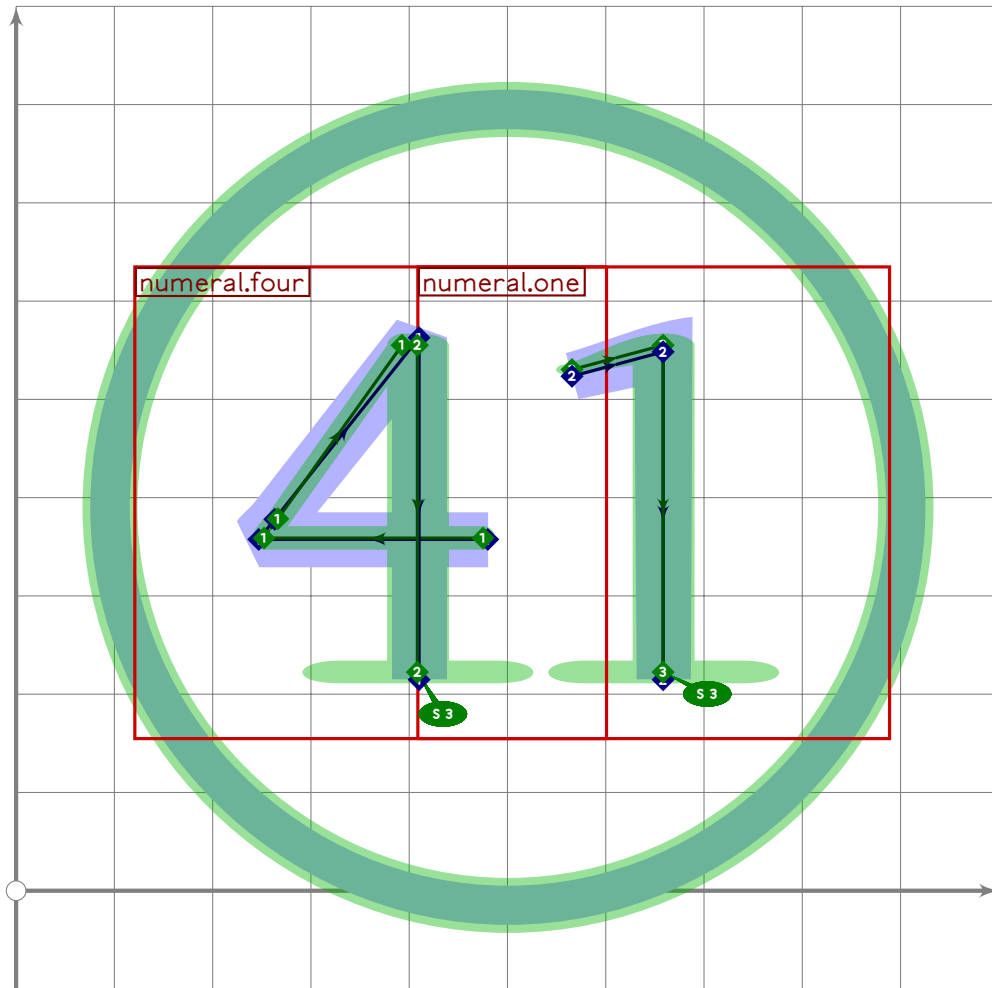
```



```

219 % 40
220 begint Suglyph("uni32B5";181);
221   tsu_curve.circle.single;
222   tsu_xform(tsu_xf.ctwo.left)(tsu_curve.numeral.four);
223   numeric x[],y[];
224   tsu_xform(tsu_xf.ctwo.right)(tsu_curve.numeral.zero);
225   tsu_render;
226 endtsuglyph;
227

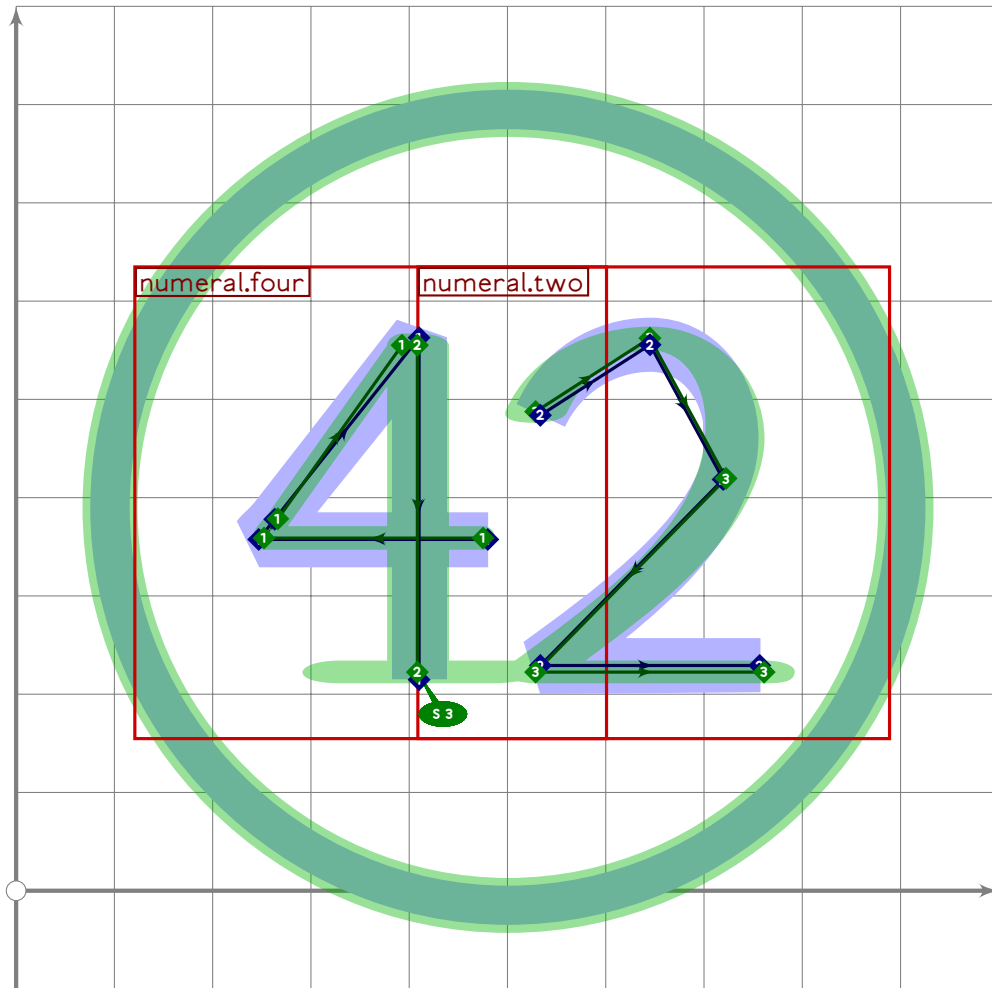
```



```

228 % 41
229 begint Suglyph("uni32B6",182);
230 tsu_curve.circle.single;
231 tsu_xform(tsu_xf.ctwo.left)(tsu_curve.numeral.four);
232 numeric x[],y[];
233 tsu_xform(tsu_xf.ctwo.right)(tsu_curve.numeral.one);
234 tsu_render;
235 endtsuglyph;
236

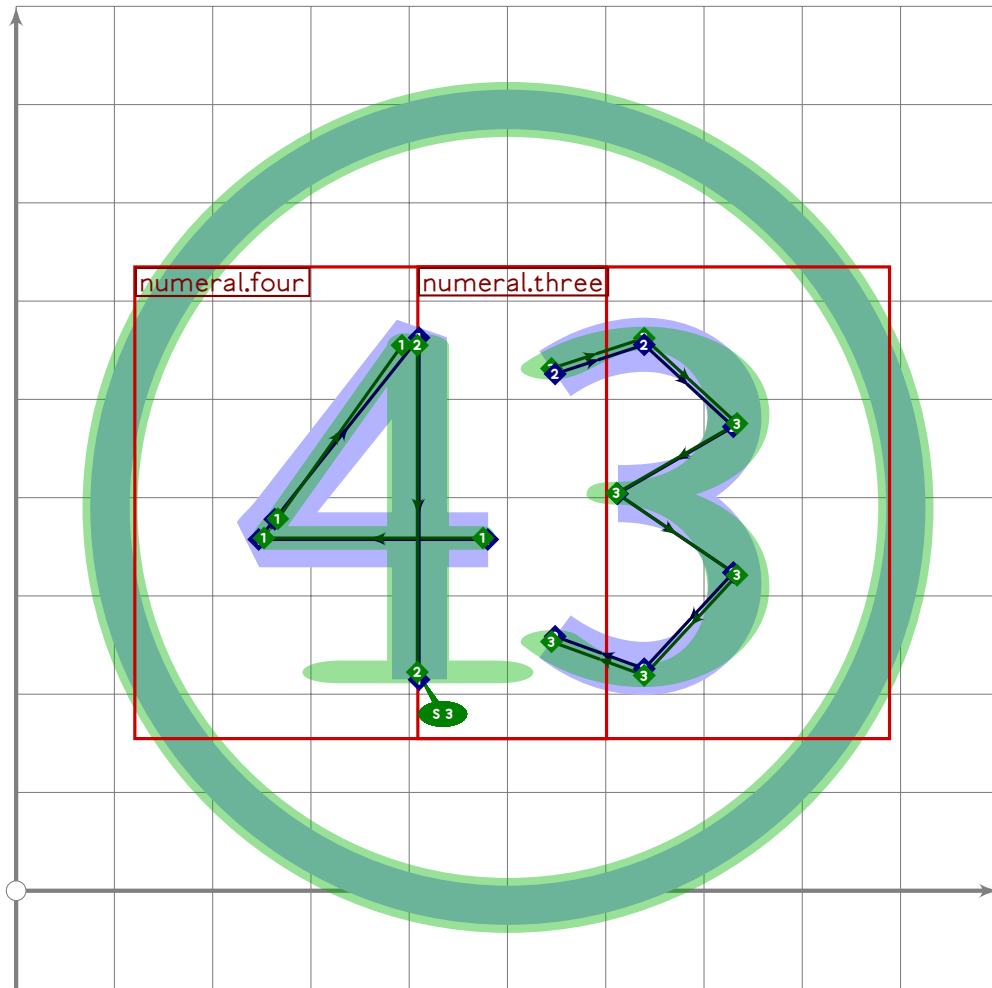
```



```

237 % 42
238 begint Suglyph("uni32B7";183);
239   tsu_curve.circle.single;
240   tsu_xform(tsu_xf.ctwo.left)(tsu_curve.numeral.four);
241   numeric x[],y[];
242   tsu_xform(tsu_xf.ctwo.right)(tsu_curve.numeral.two);
243   tsu_render;
244 endtsuglyph;
245

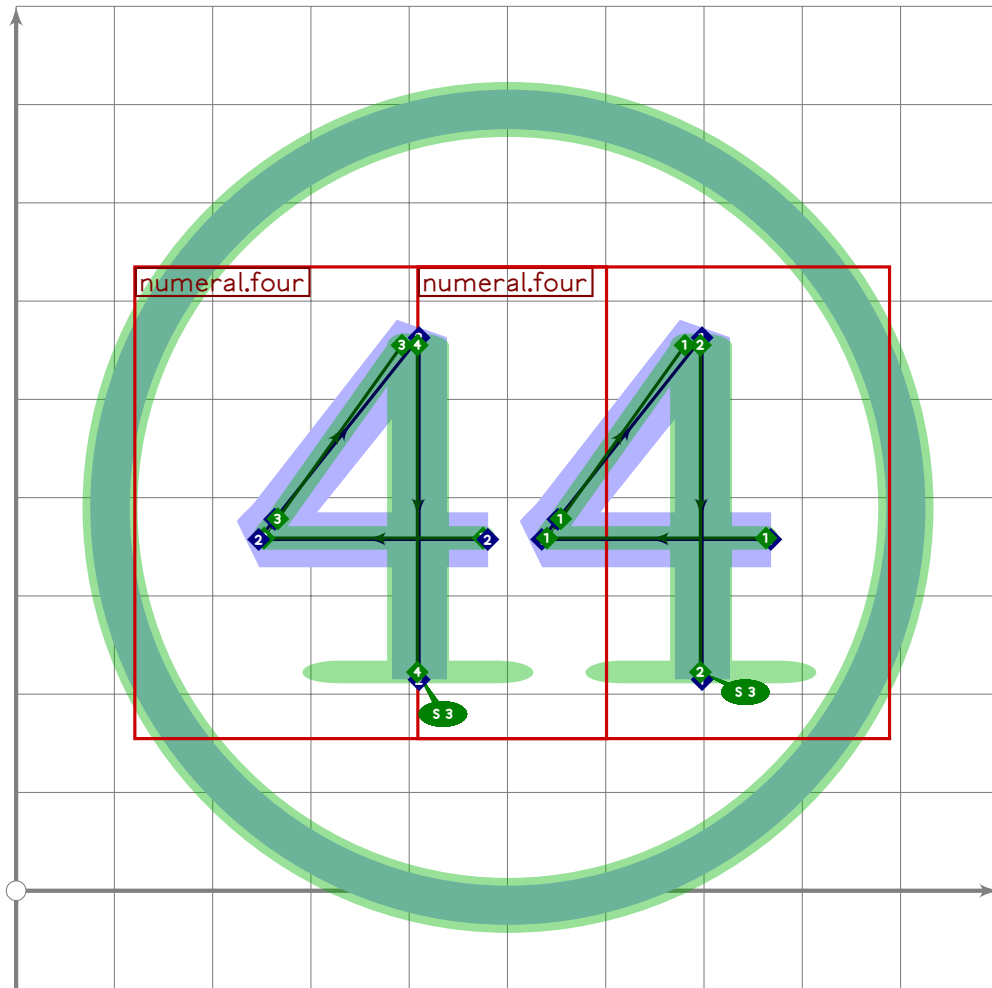
```



```

246 % 43
247 begint Suglyph("uni32B8",184);
248   tsu_curve.circle.single;
249   tsu_xform(tsu_xf.ctwo.left)(tsu_curve.numeral.four);
250   numeric x[],y[];
251   tsu_xform(tsu_xf.ctwo.right)(tsu_curve.numeral.three);
252   tsu_render;
253   endtsuglyph;
254

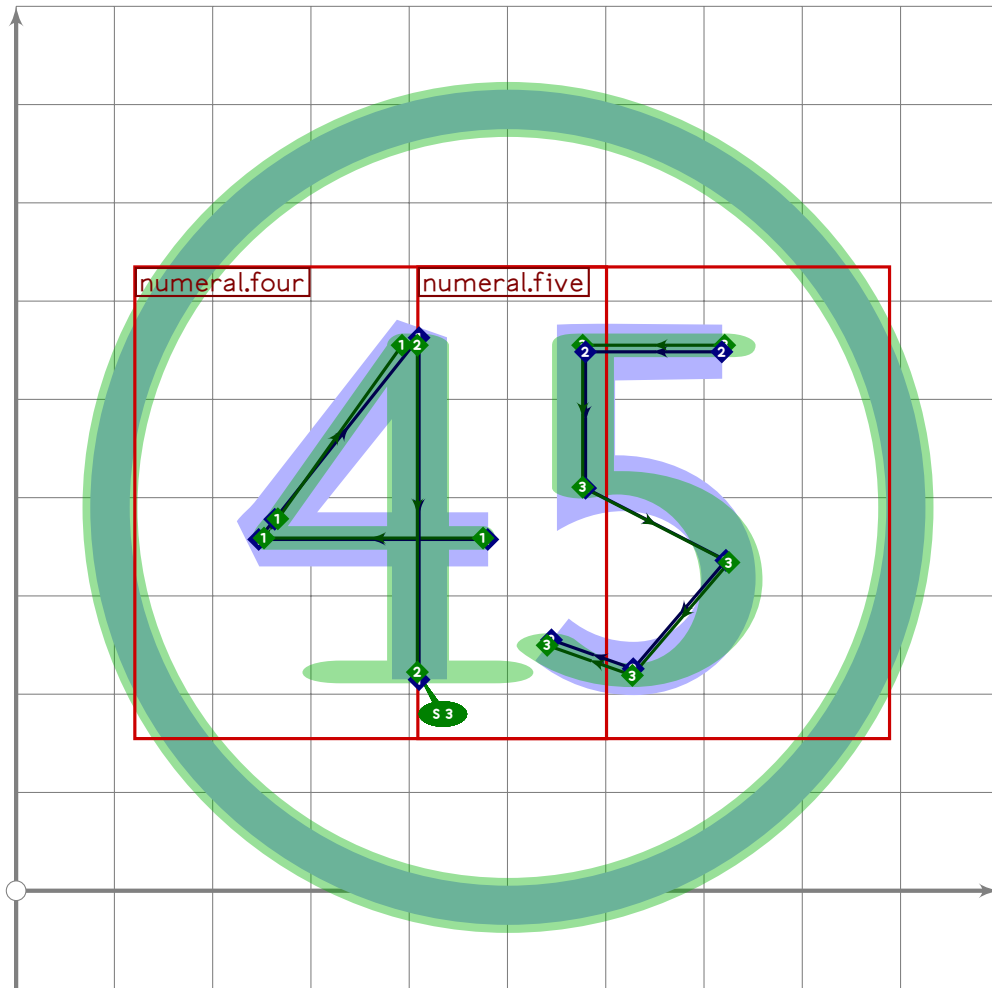
```



```

255 % 44
256 begint Suglyph("uni32B9";185);
257   tsu_curve.circle.single;
258   tsu_xform(tsu_xf.ctwo.right)(tsu_curve.numeral.four);
259   numeric x[],y[];
260   tsu_xform(tsu_xf.ctwo.left)(tsu_curve.numeral.four);
261   tsu_render;
262 endtsuglyph;
263

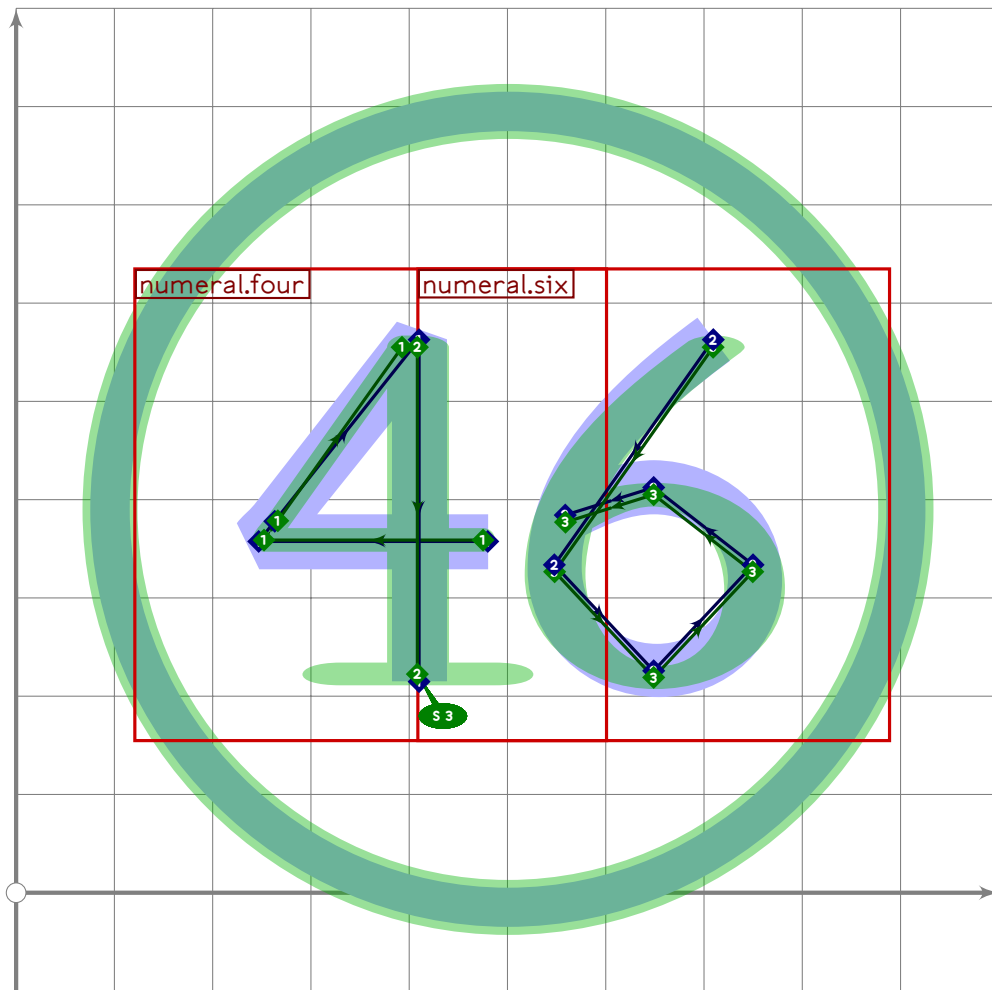
```



```

264 % 45
265 begint Suglyph("uni32BA",186);
266   tsu_curve.circle.single;
267   tsu_xform(tsu_xf.ctwo.left)(tsu_curve.numeral.four);
268   numeric x[],y[];
269   tsu_xform(tsu_xf.ctwo.right)(tsu_curve.numeral.five);
270   tsu_render;
271 endtsuglyph;
272

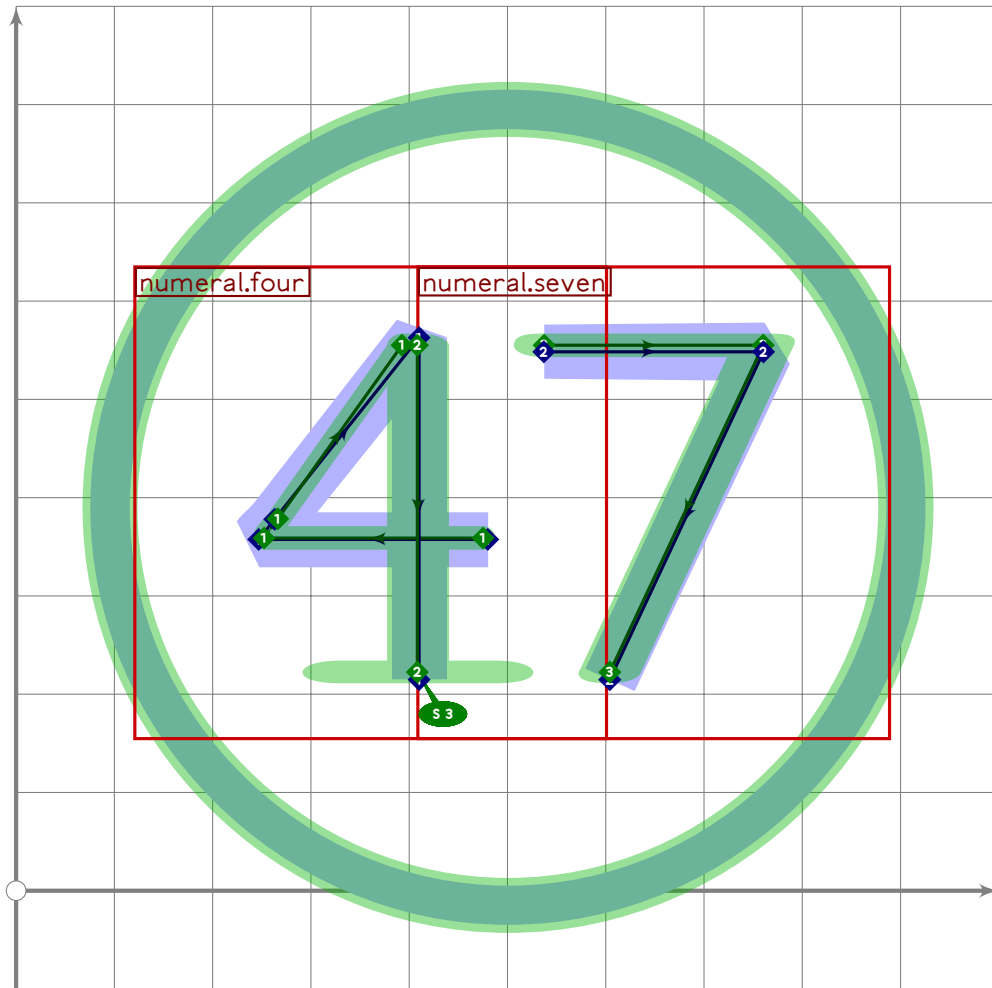
```



```

273 % 46
274 begint Suglyph("uni32BB",187);
275   tsu_curve.circle.single;
276   tsu_xform(tsu_xf.ctwo.left)(tsu_curve.numeral.four);
277   numeric x[],y[];
278   tsu_xform(tsu_xf.ctwo.right)(tsu_curve.numeral.six);
279   tsu_render;
280 endtsuglyph;
281

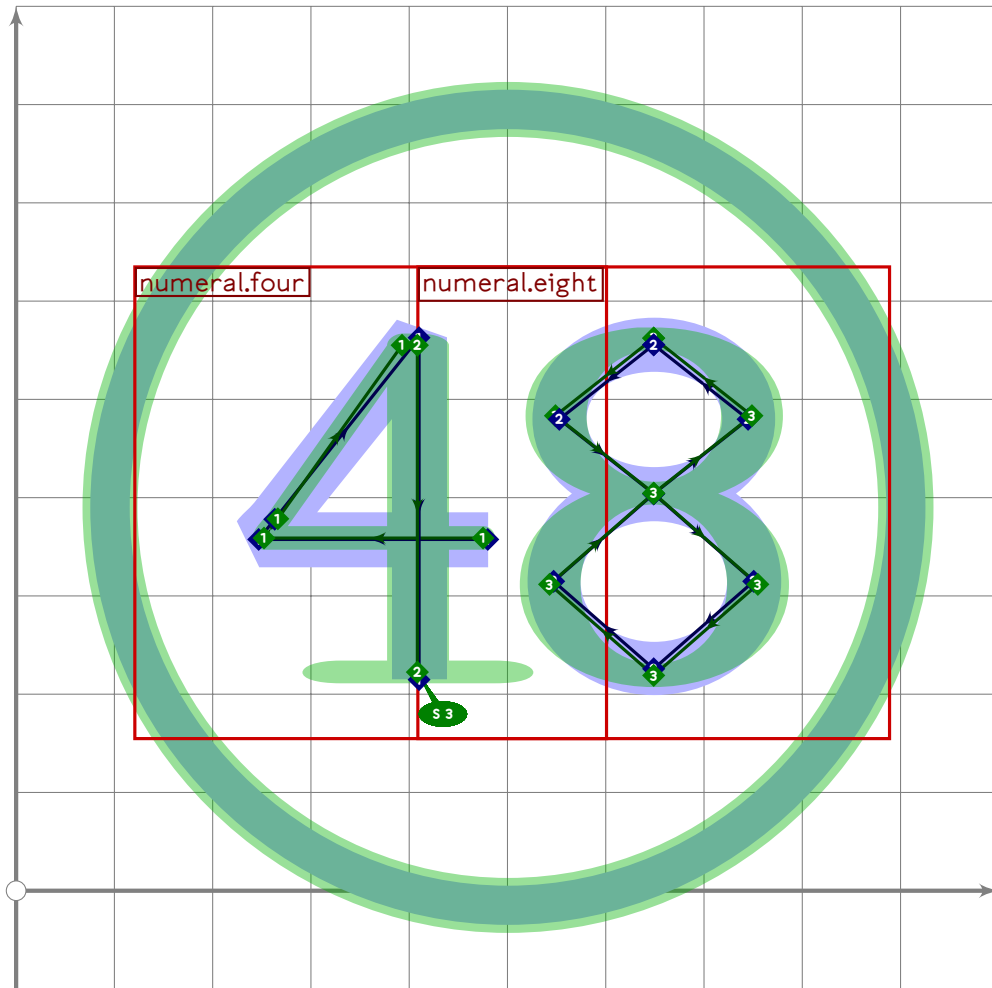
```

```

282 % 47
283 begint Suglyph("uni32BC",188);
284   tsu_curve.circle.single;
285   tsu_xform(tsu_xf.ctwo.left)(tsu_curve.numeral.four);
286   numeric x[],y[];
287   tsu_xform(tsu_xf.ctwo.right)(tsu_curve.numeral.seven);
288   tsu_render;
289 endtsuglyph;
290

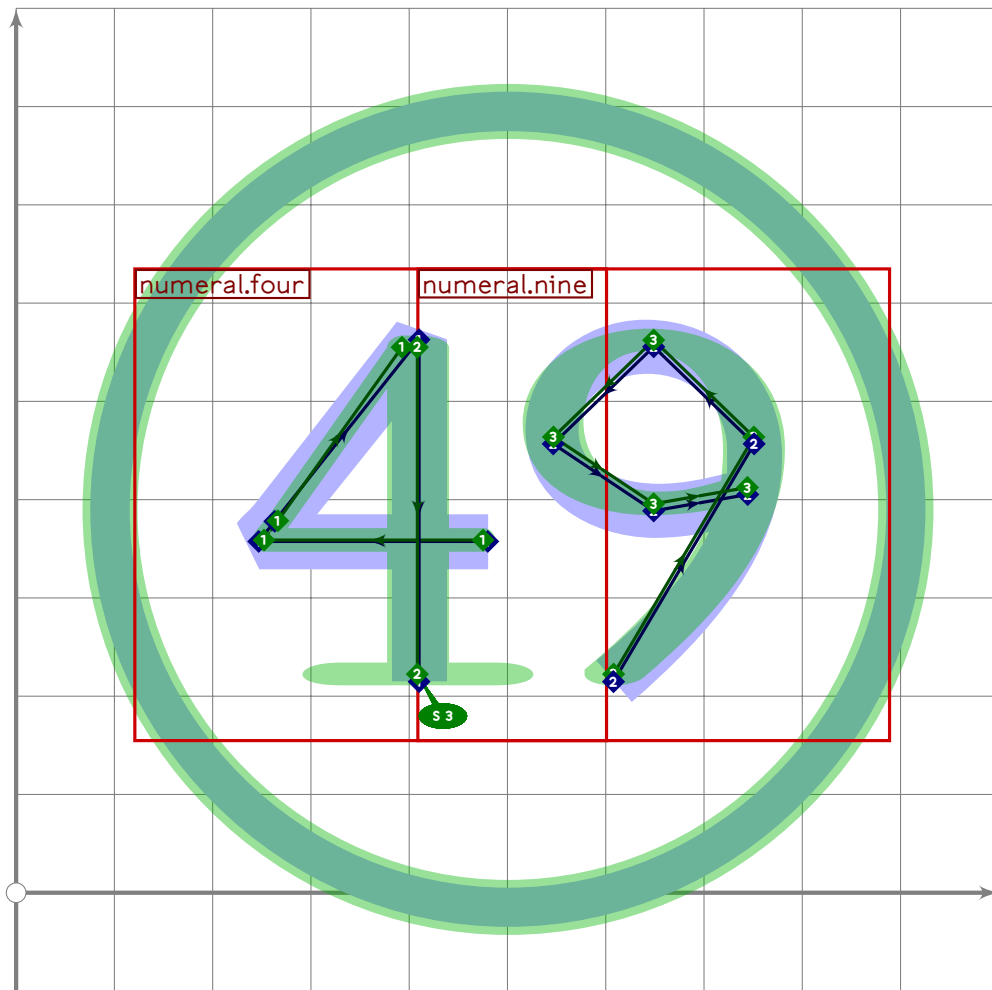
```



```

291 % 48
292 begint Suglyph("uni32BD",189);
293   tsu_curve.circle.single;
294   tsu_xform(tsu_xf.ctwo.left)(tsu_curve.numeral.four);
295   numeric x[],y[];
296   tsu_xform(tsu_xf.ctwo.right)(tsu_curve.numeral.eight);
297   tsu_render;
298 endtsuglyph;
299

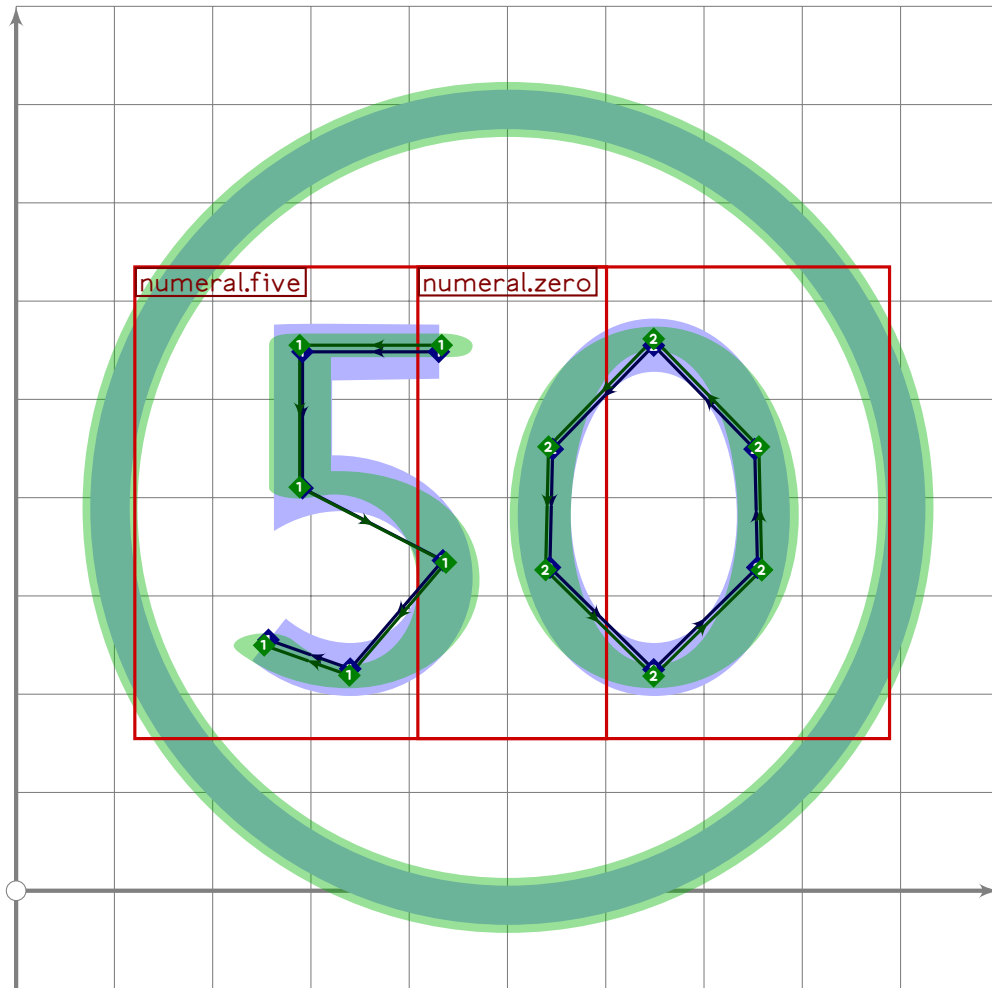
```



```

300 % 49
301 begint Suglyph("uni32BE",190);
302   tsu_curve.circle.single;
303   tsu_xform(tsu_xf.ctwo.left)(tsu_curve.numeral.four);
304   numeric x[],y[];
305   tsu_xform(tsu_xf.ctwo.right)(tsu_curve.numeral.nine);
306   tsu_render;
307 endtsuglyph;
308

```



```

309 % 50
310 begint Suglyph("uni32BF",191);
311   tsu_curve.circle.single;
312   tsu_xform(tsu_xf.ctwo.left)(tsu_curve.numeral.five);
313   numeric x[],y[];
314   tsu_xform(tsu_xf.ctwo.right)(tsu_curve.numeral.zero);
315   tsu_render;
316 endtsuglyph;
317
318
319

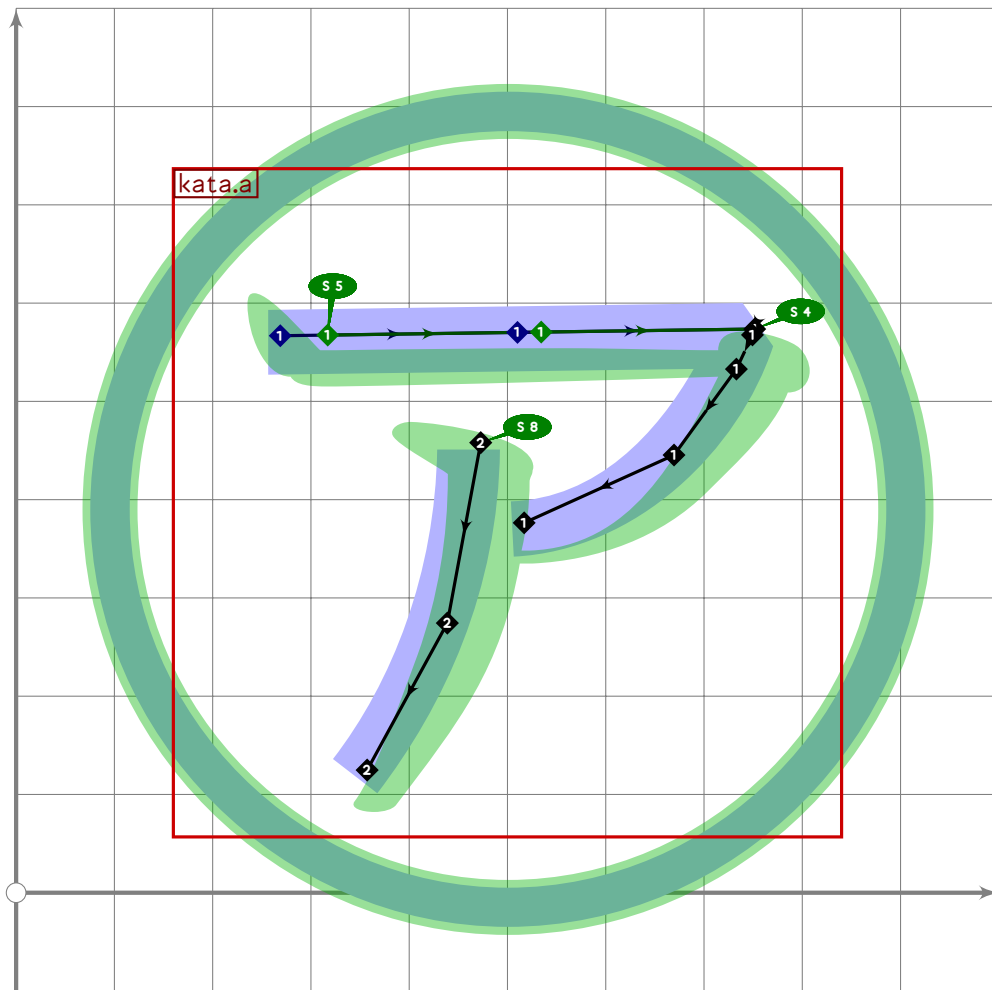
```

Circled Katakana

```

320 % CIRCLED KATAKANA
321

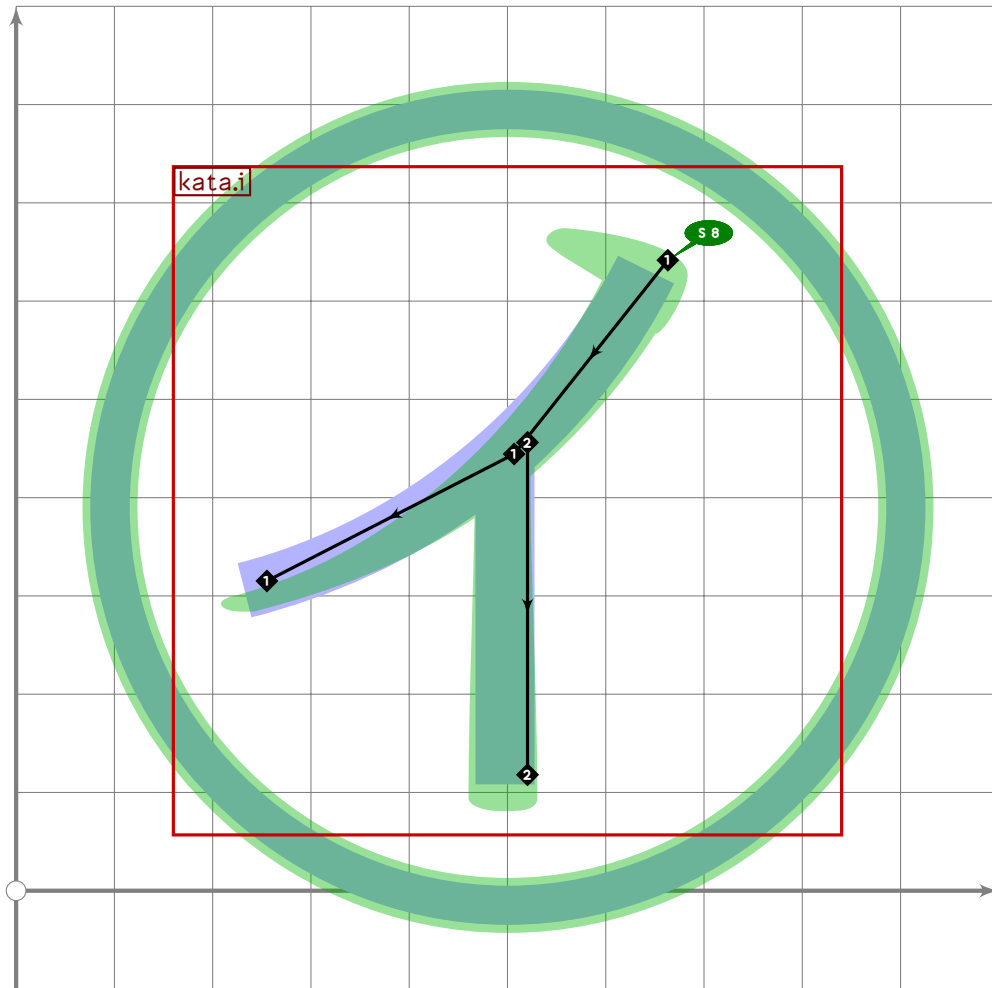
```



```

322 % circled "a"
323 begint Suglyph("uni32D0";208);
324   tsu_curve.circle.single;
325   tsu_xform(tsu_xf.circled)(tsu_curve.kata.a);
326   tsu_render_in_circle(tsu_xf.cbound);
327 endsuglyph;
328

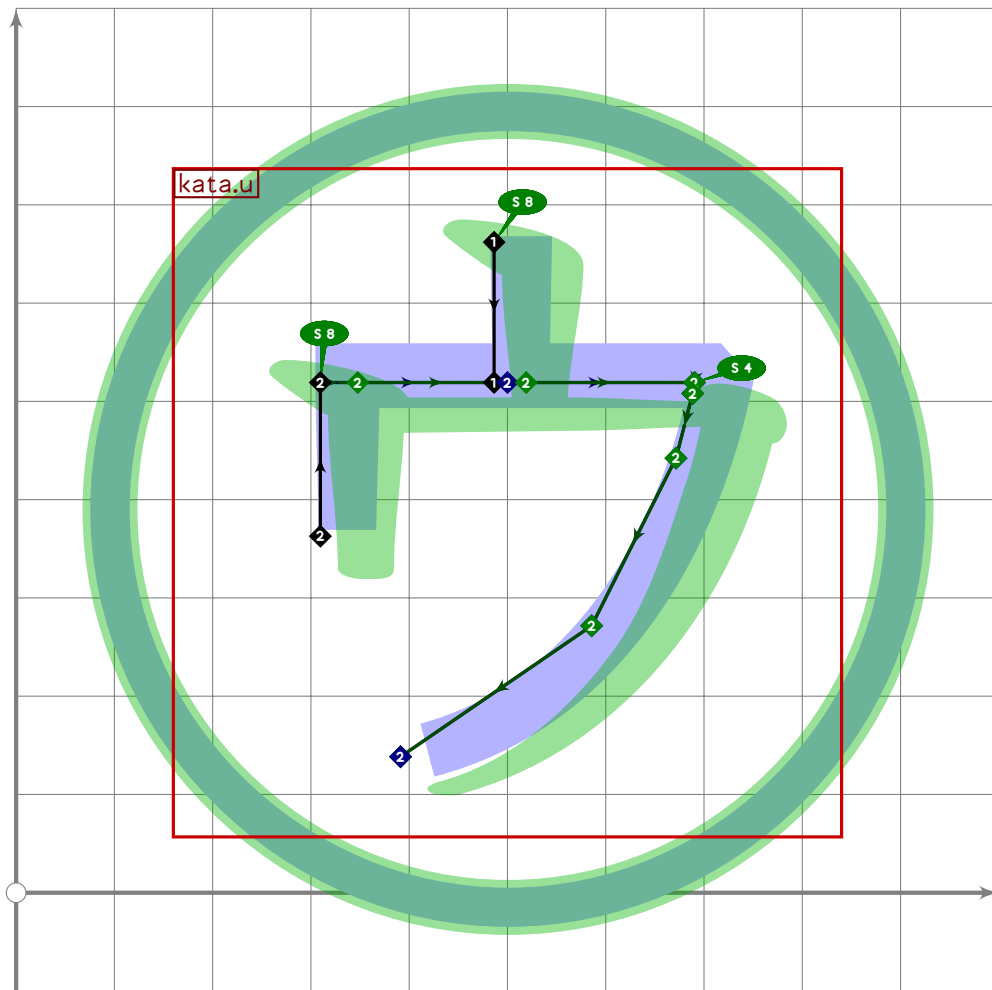
```



```

329 % circled "i"
330 begint Suglyph("uni32D1";209);
331 tsu_curve.circle.single;
332 tsu_xform(tsu_xf.circled)(tsu_curve.kata.i);
333 tsu_render_in_circle(tsu_xf.cbound);
334 endsuglyph;
335

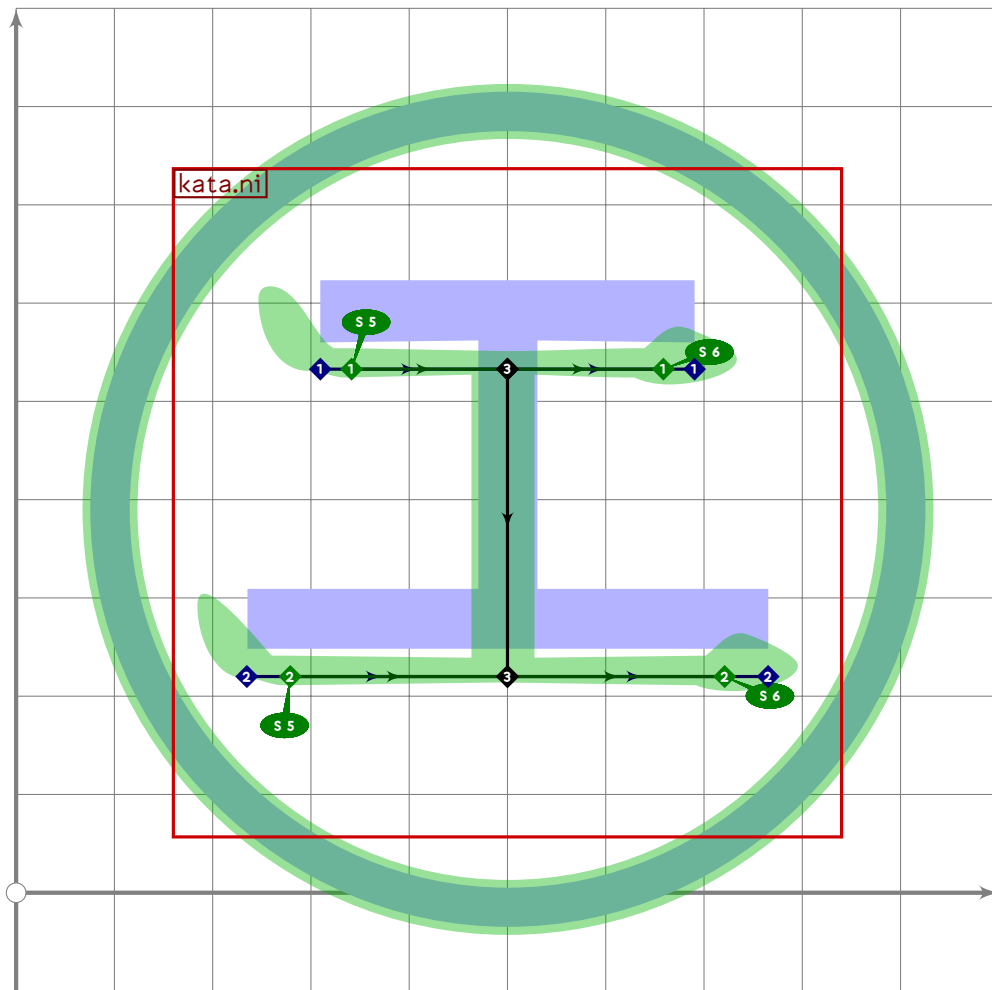
```



```

336 % circled "u"
337 begint Suglyph("uni32D2";210);
338 tsu_curve.circle.single;
339 tsu_xform(tsu_xf.circled)(tsu_curve.kata.u);
340 tsu_render_in_circle(tsu_xf.cbound);
341 endsuglyph;
342

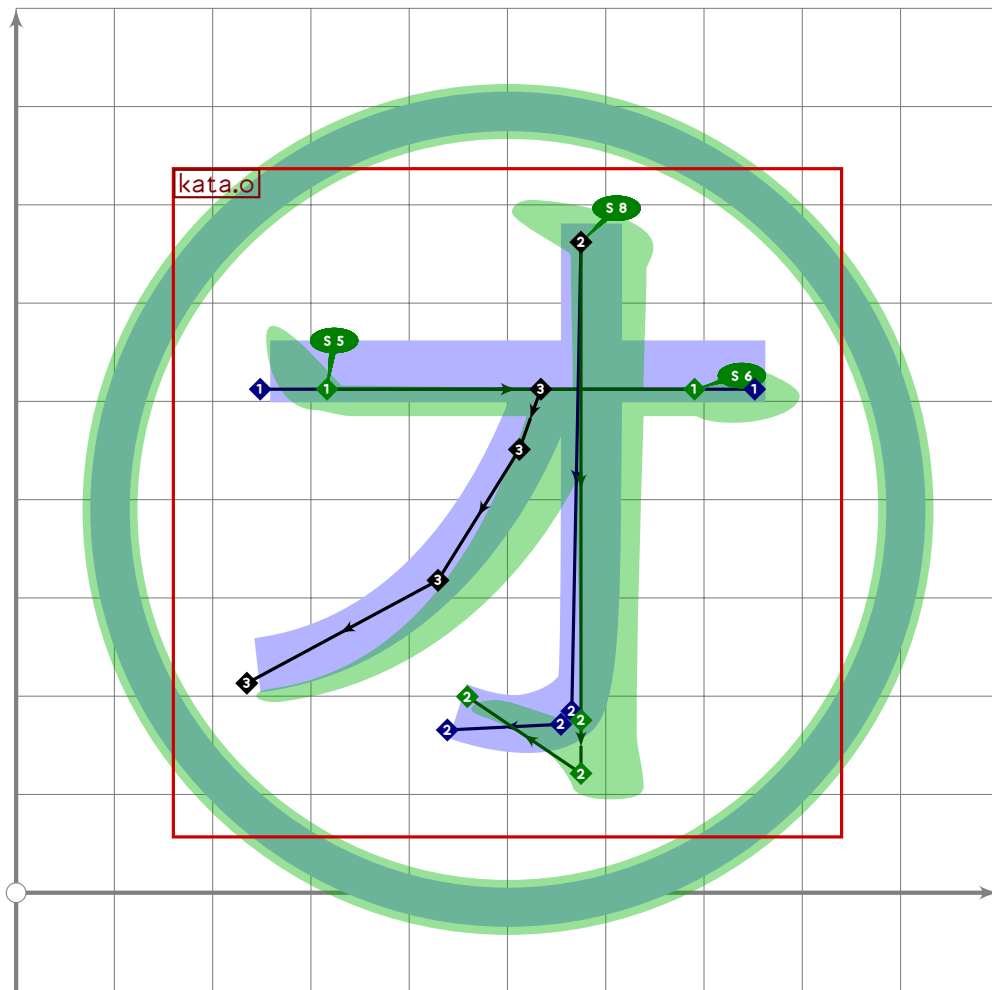
```



```

343 % circled "e"
344 begint Suglyph("uni32D3";211);
345 tsu_curve.circle.single;
346 tsu_xform(tsu_xf.circled)(tsu_curve.kata.e);
347 tsu_render_in_circle(tsu_xf.cbound);
348 endsuglyph;
349

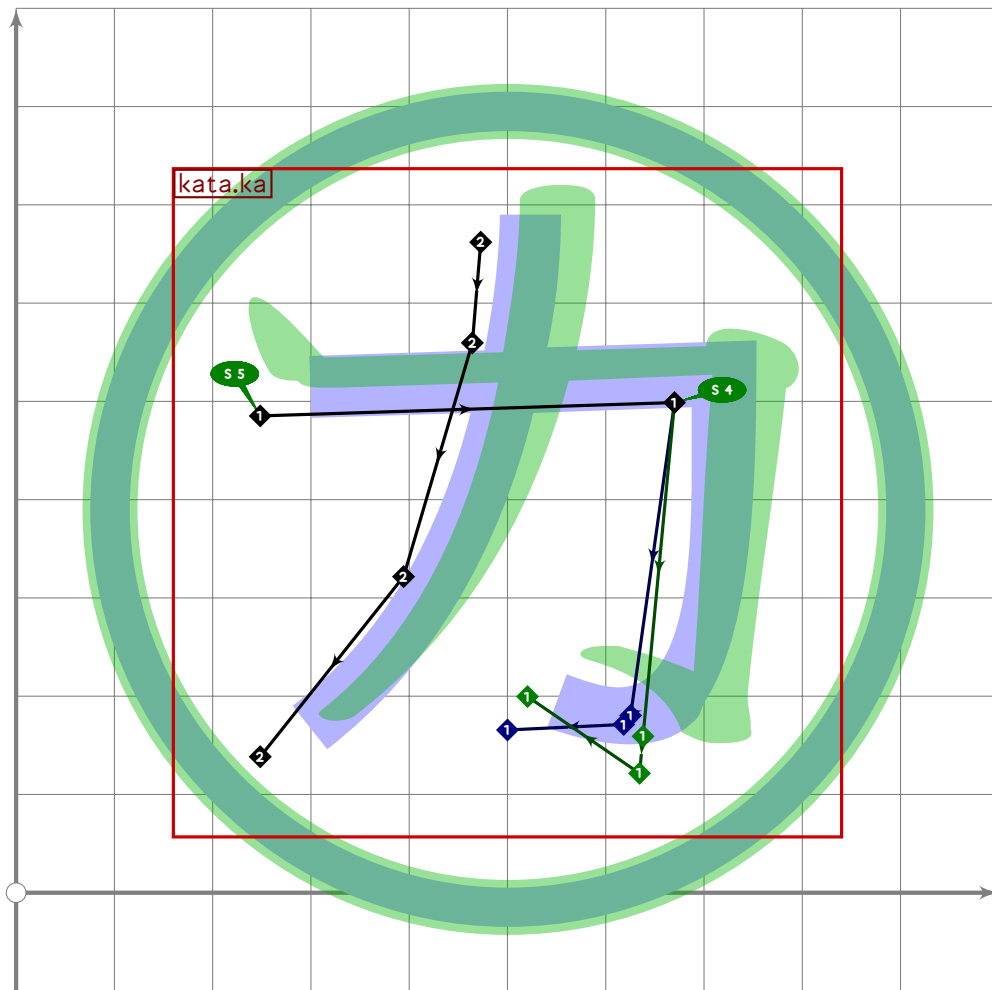
```

```

350 % circled "o"
351 begint Suglyph("uni32D4",212);
352 tsu_curve.circle.single;
353 tsu_xform(tsu_xf.circled)(tsu_curve.kata.o);
354 tsu_render_in_circle(tsu_xf.cbound);
355 endsuglyph;
356

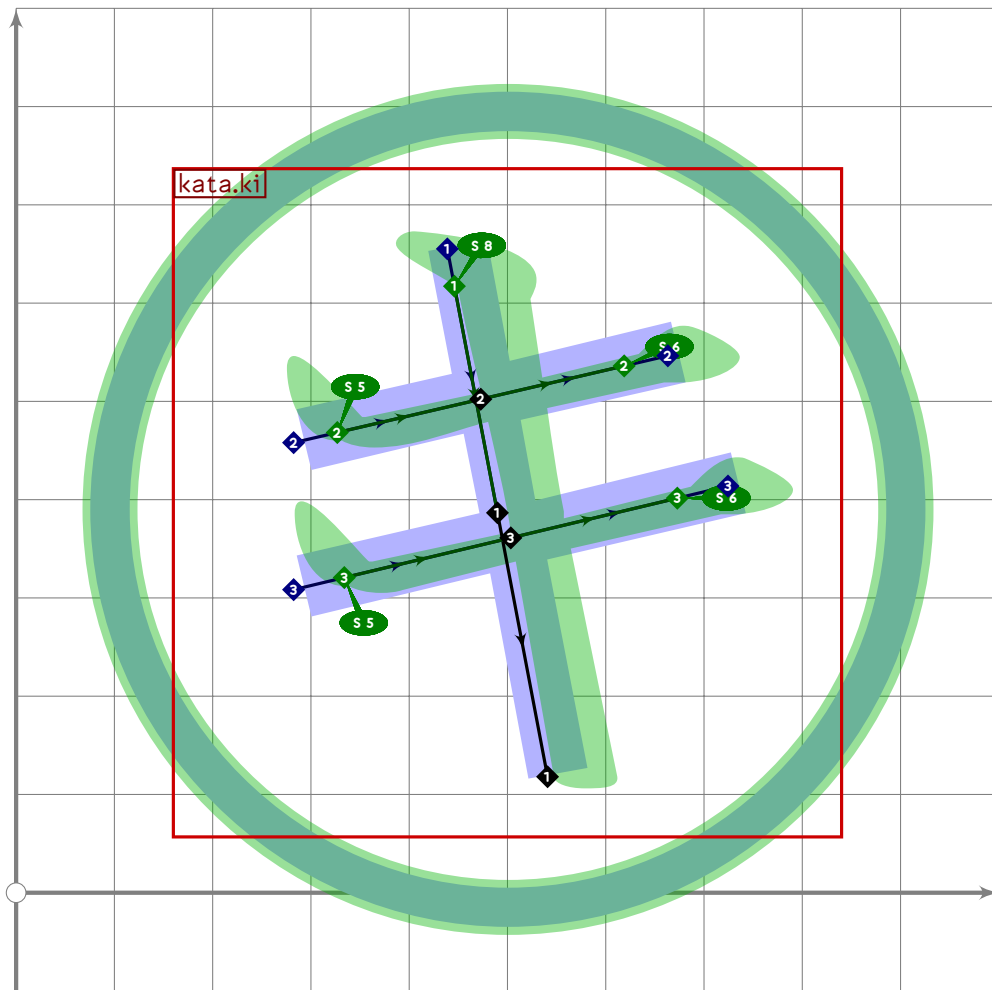
```



```

357 % circled "ka"
358 begint Suglyph("uni32D5";213);
359 tsu_curve.circle.single;
360 tsu_xform(tsu_xf.circled)(tsu_curve.kata.ka);
361 tsu_render_in_circle(tsu_xf.cbound);
362 endsuglyph;
363

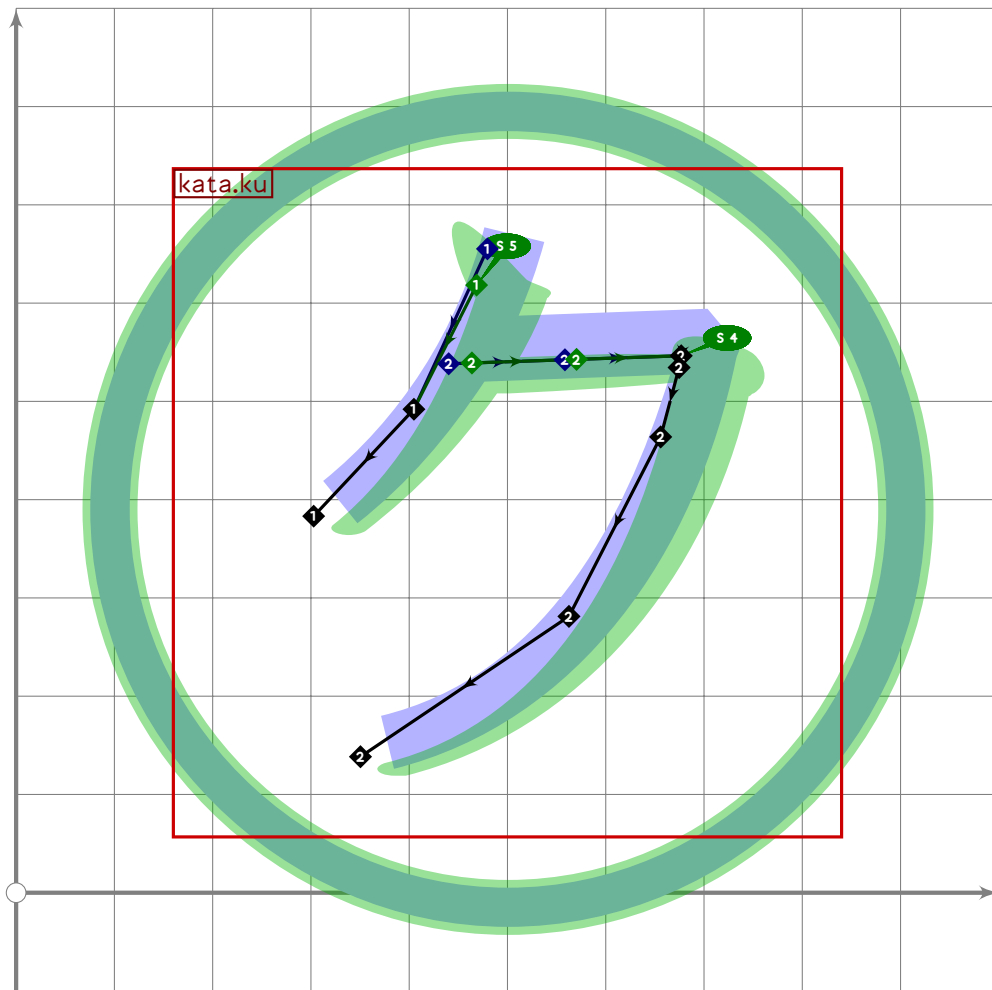
```



```

364 % circled "ki"
365 begint Suglyph("uni32D6",214);
366 tsu_curve.circle.single;
367 tsu_xform(tsu_xf.circled)(tsu_curve.kata.ki);
368 tsu_render_in_circle(tsu_xf.cbound);
369 endsuglyph;
370

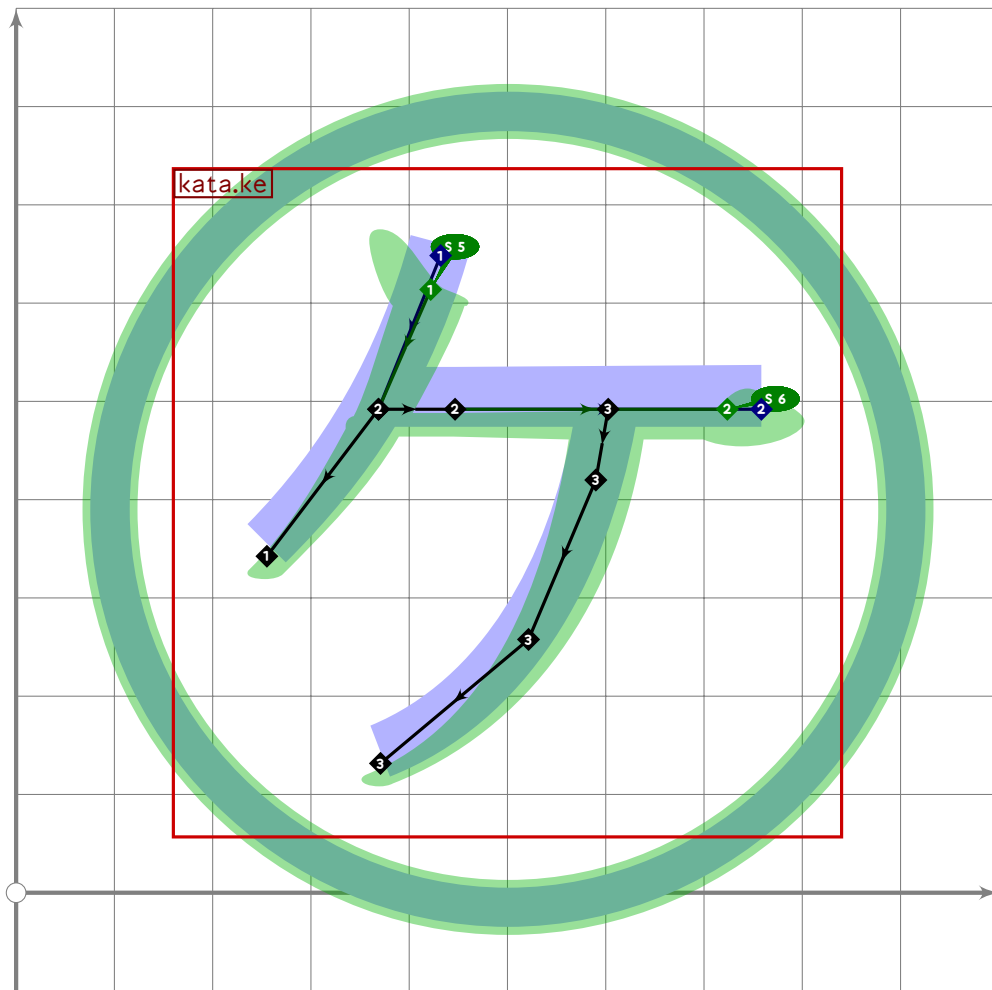
```



```

371 % circled "ku"
372 begint Suglyph("uni32D7";215);
373   tsu_curve.circle.single;
374   tsu_xform(tsu_xf.circled)(tsu_curve.kata.ku);
375   tsu_render_in_circle(tsu_xf.cbound);
376 endsuglyph;
377

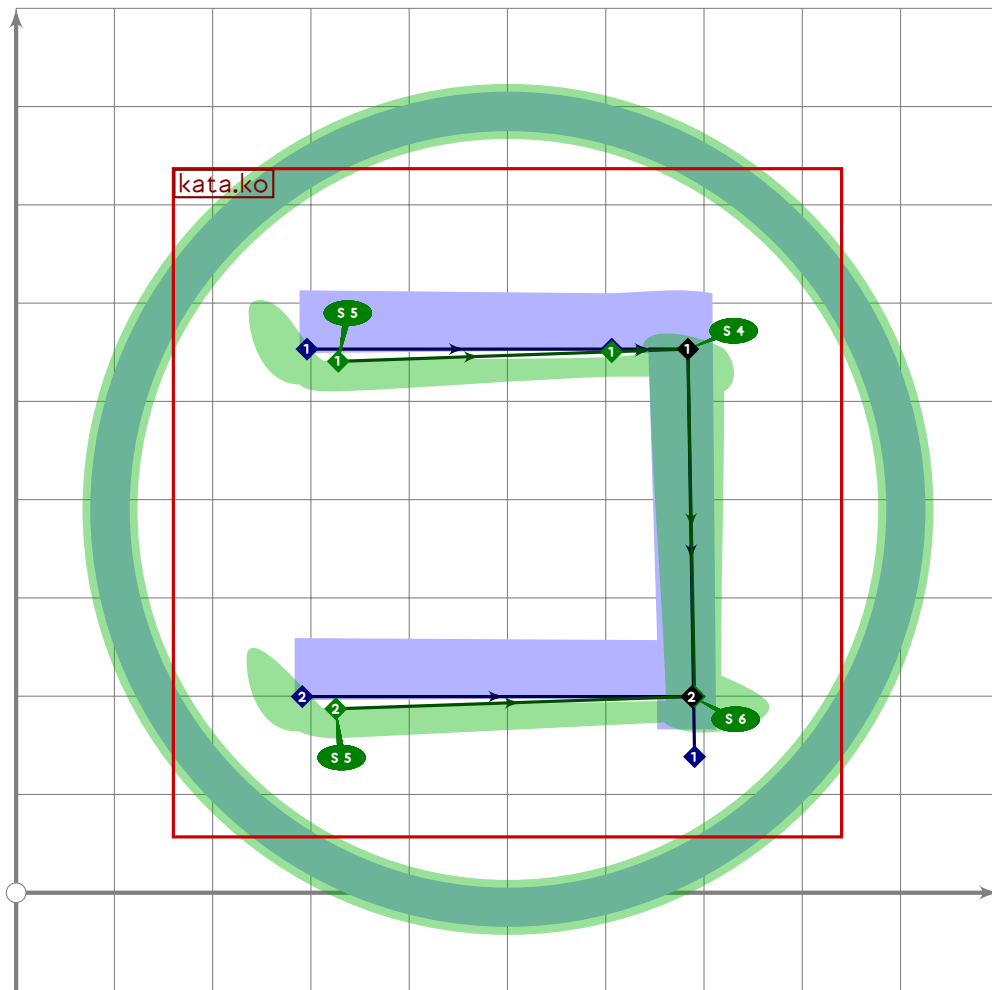
```



```

378 % circled "ke"
379 begint Suglyph("uni32D8",216);
380 tsu_curve.circle.single;
381 tsu_xform(tsu_xf.circled)(tsu_curve.kata.ke);
382 tsu_render_in_circle(tsu_xf.cbound);
383 endsuglyph;
384

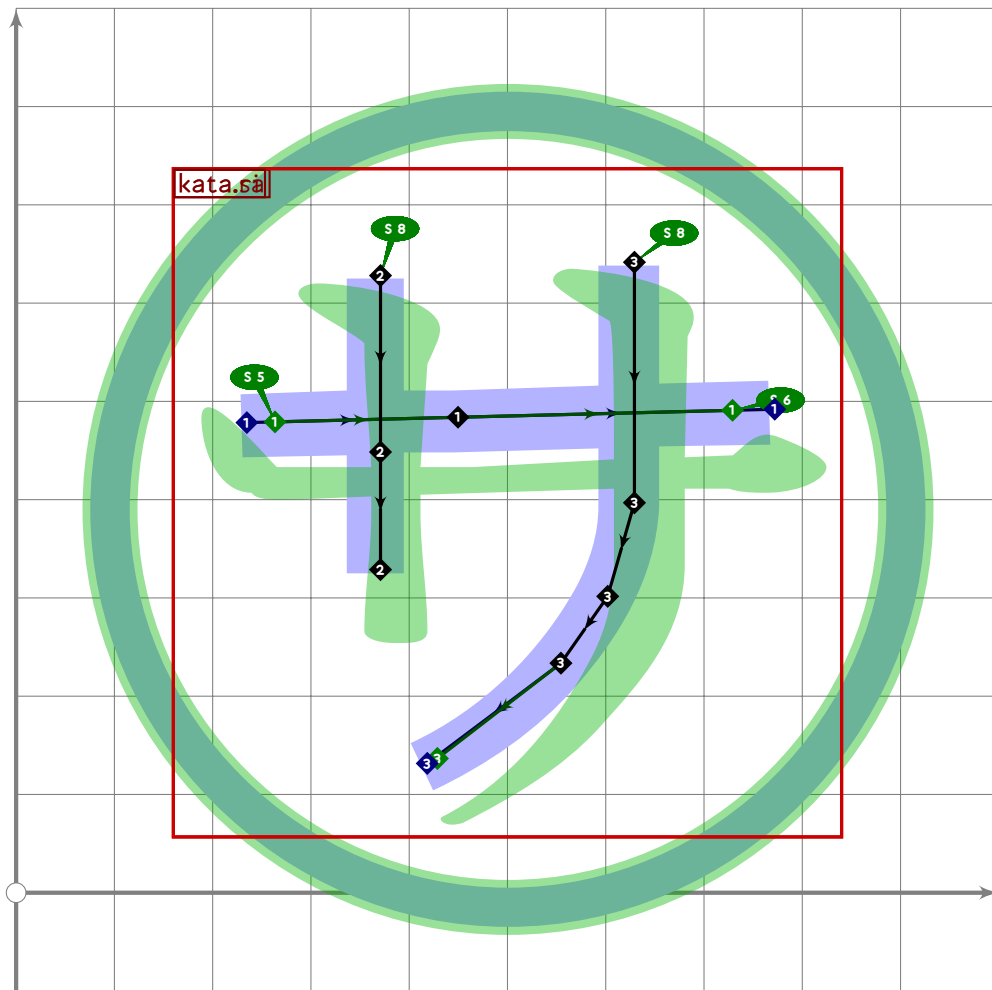
```



```

385 % circled "ko"
386 begint Suglyph("uni32D9";217);
387 tsu_curve.circle.single;
388 tsu_xform(tsu_xf.circled)(tsu_curve.kata.ko);
389 tsu_render_in_circle(tsu_xf.cbound);
390 endsuglyph;
391

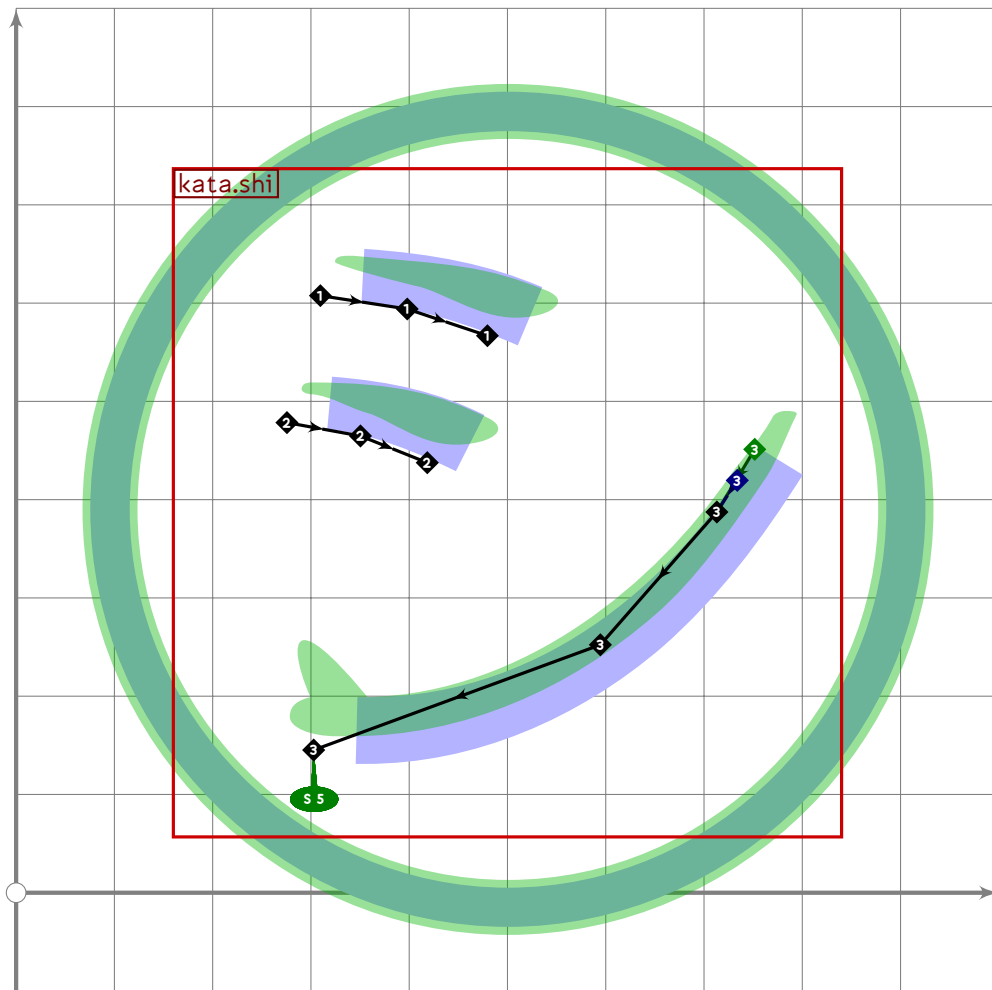
```



```

392 % circled "sa"
393 begint Suglyph("uni32DA",218);
394 tsu_curve.circle.single;
395 tsu_xform(tsu_xf.circled)(tsu_curve.kata.sa);
396 tsu_render_in_circle(tsu_xf.cbound);
397 endsuglyph;
398

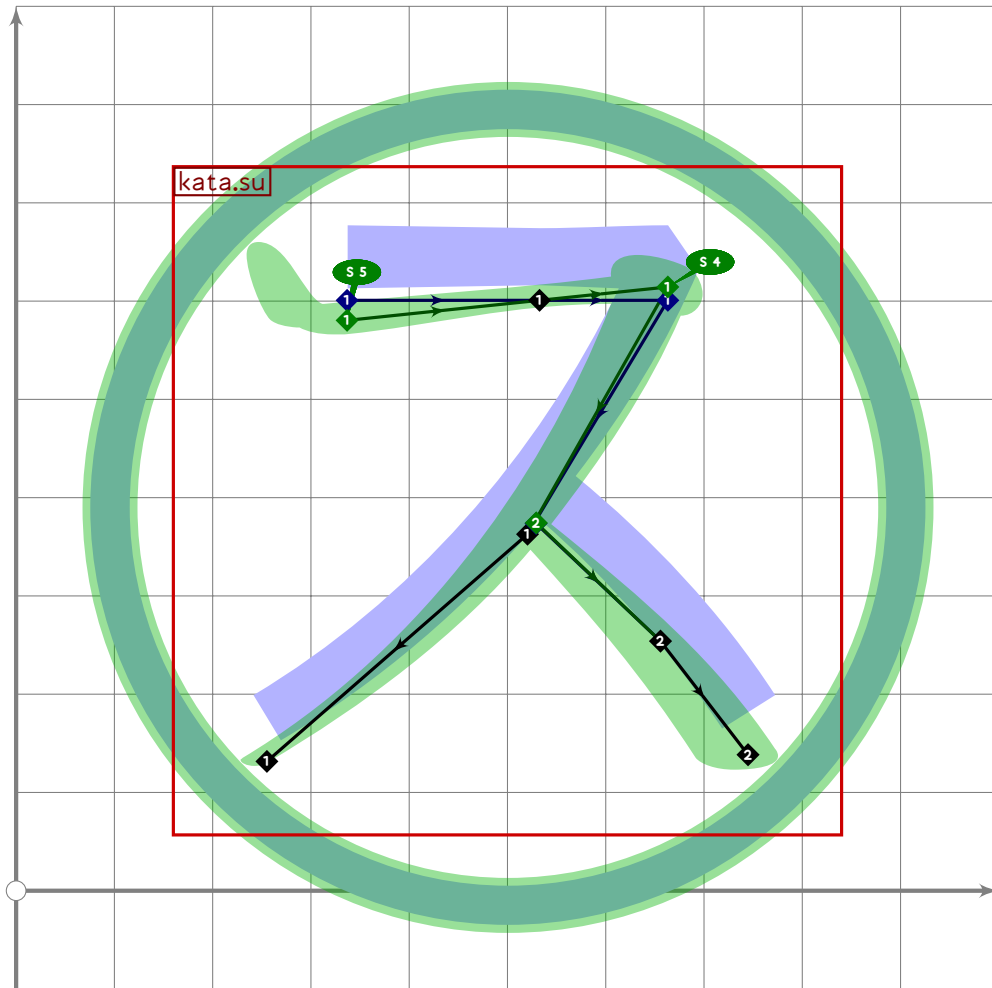
```



```

399 % circled "shi"
400 begint Suglyph("uni32DB";219);
401   tsu_curve.circle.single;
402   tsu_xform(tsu_xf.circled)(tsu_curve.kata.shi);
403   tsu_render_in_circle(tsu_xf.cbound);
404 endsuglyph;
405

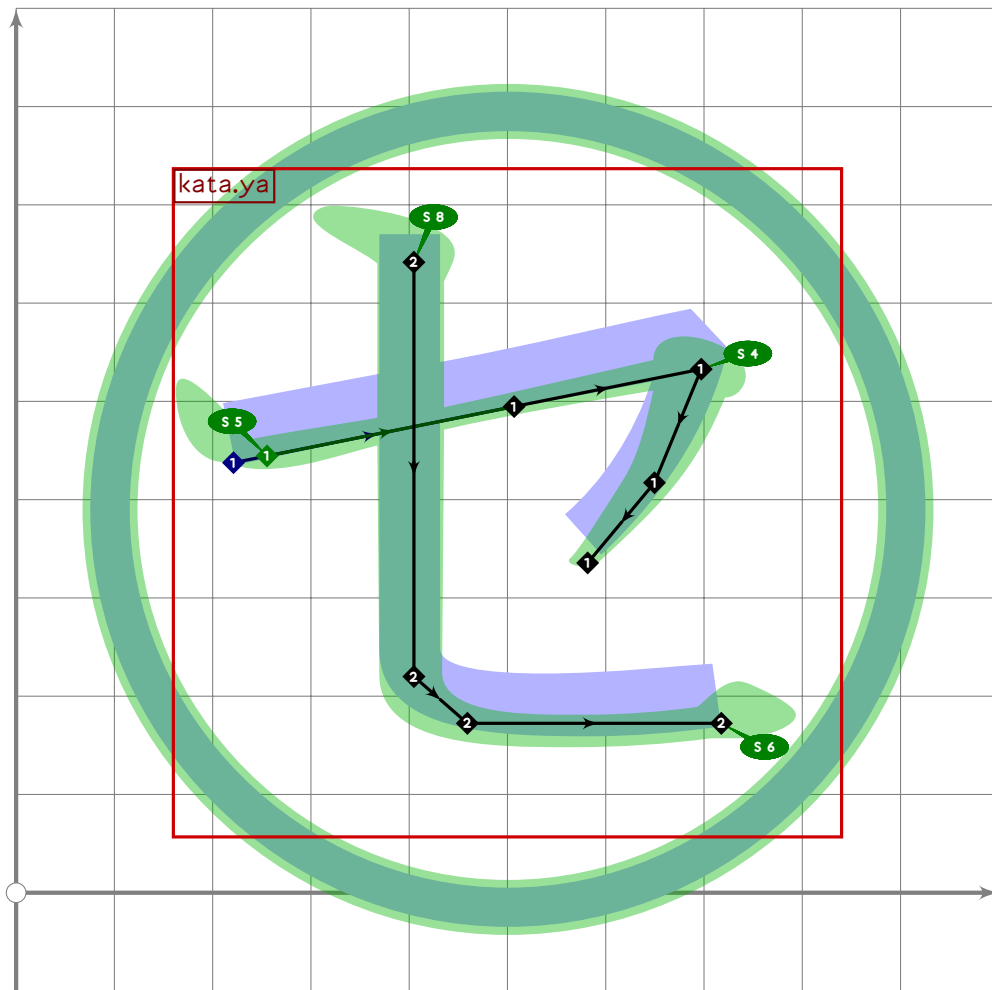
```

```

406 % circled "su"
407 begint Suglyph("uni32DC";220);
408   tsu_curve.circle.single;
409   tsu_xform(tsu_xf.circled)(tsu_curve.kata.su);
410   tsu_render_in_circle(tsu_xf.cbound);
411 endsuglyph;
412

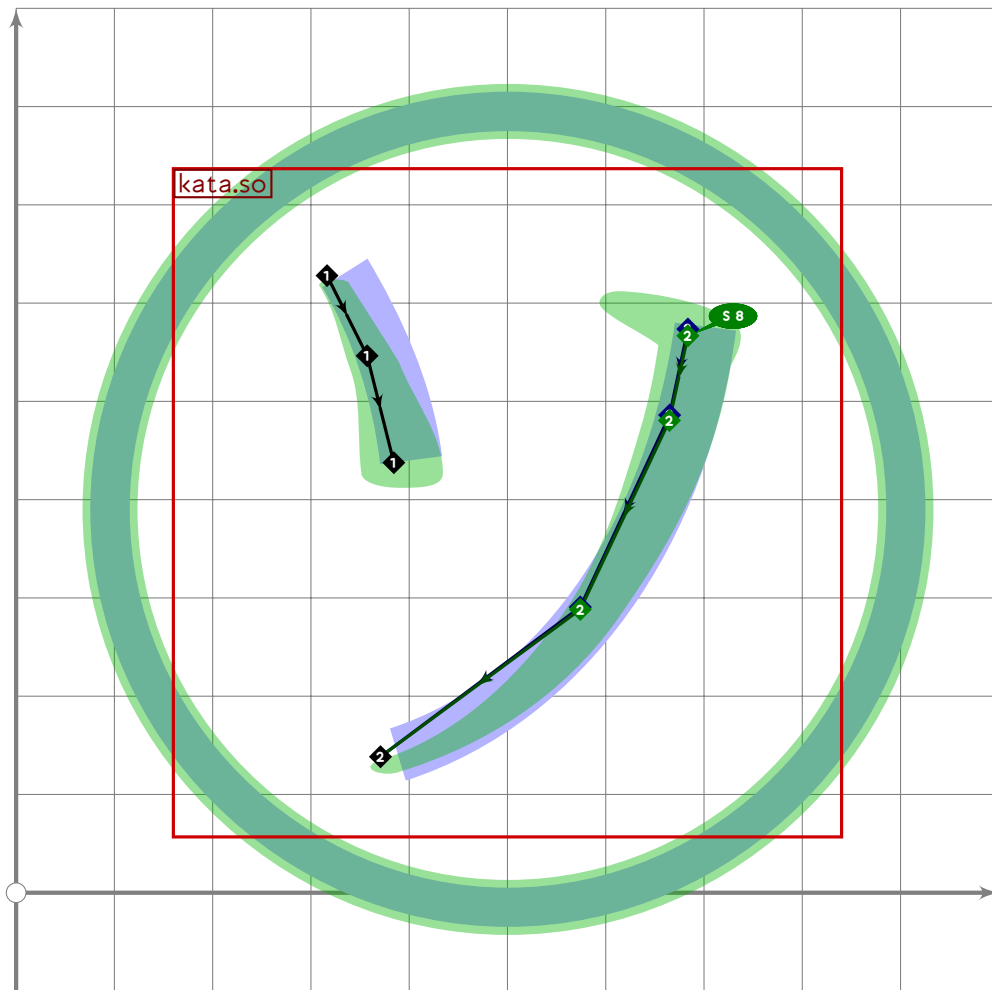
```



```

413 % circled "se"
414 begint Suglyph("uni32DD";221);
415   tsu_curve.circle.single;
416   tsu_xform(tsu_xf.circled)(tsu_curve.kata.se);
417   tsu_render_in_circle(tsu_xf.cbound);
418 endsuglyph;
419

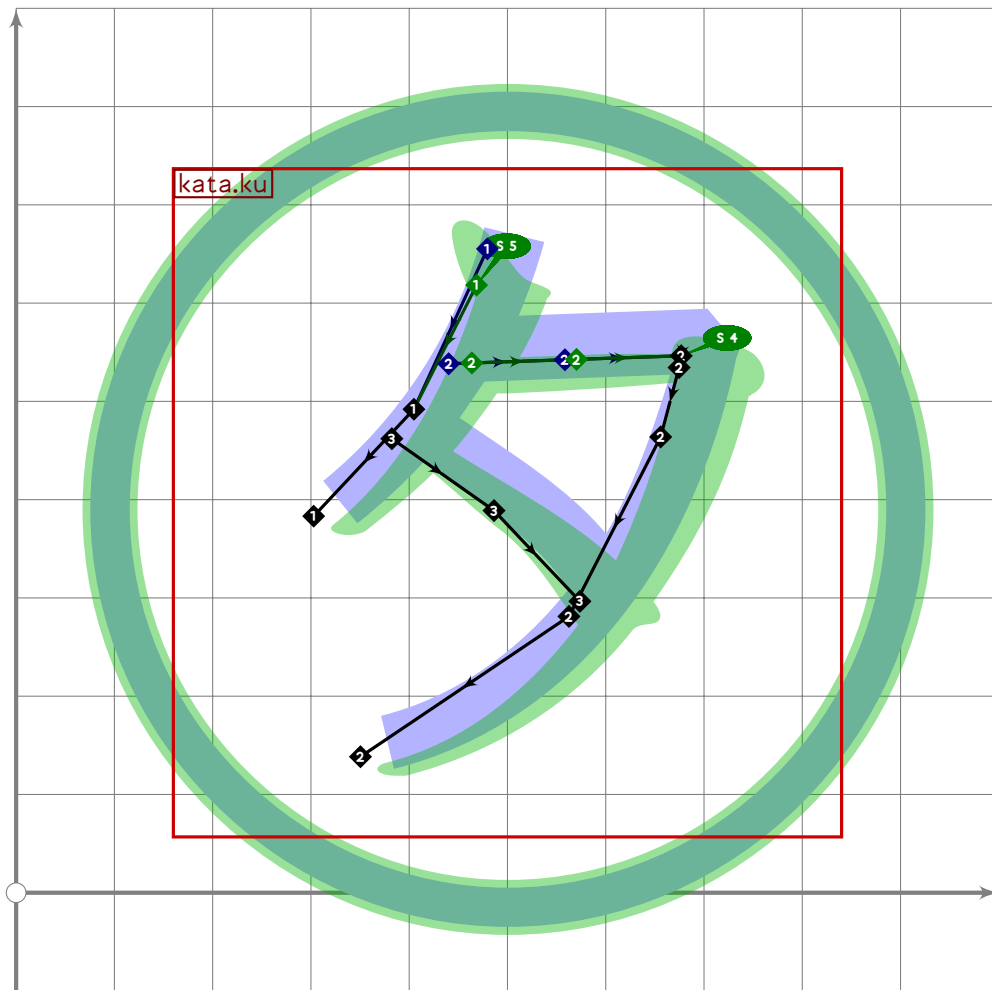
```



```

420 % circled "so"
421 begint Suglyph("uni32DE",222);
422 tsu_curve.circle.single;
423 tsu_xform(tsu_xf.circled)(tsu_curve.kata.so);
424 tsu_render_in_circle(tsu_xf.cbound);
425 endsuglyph;
426

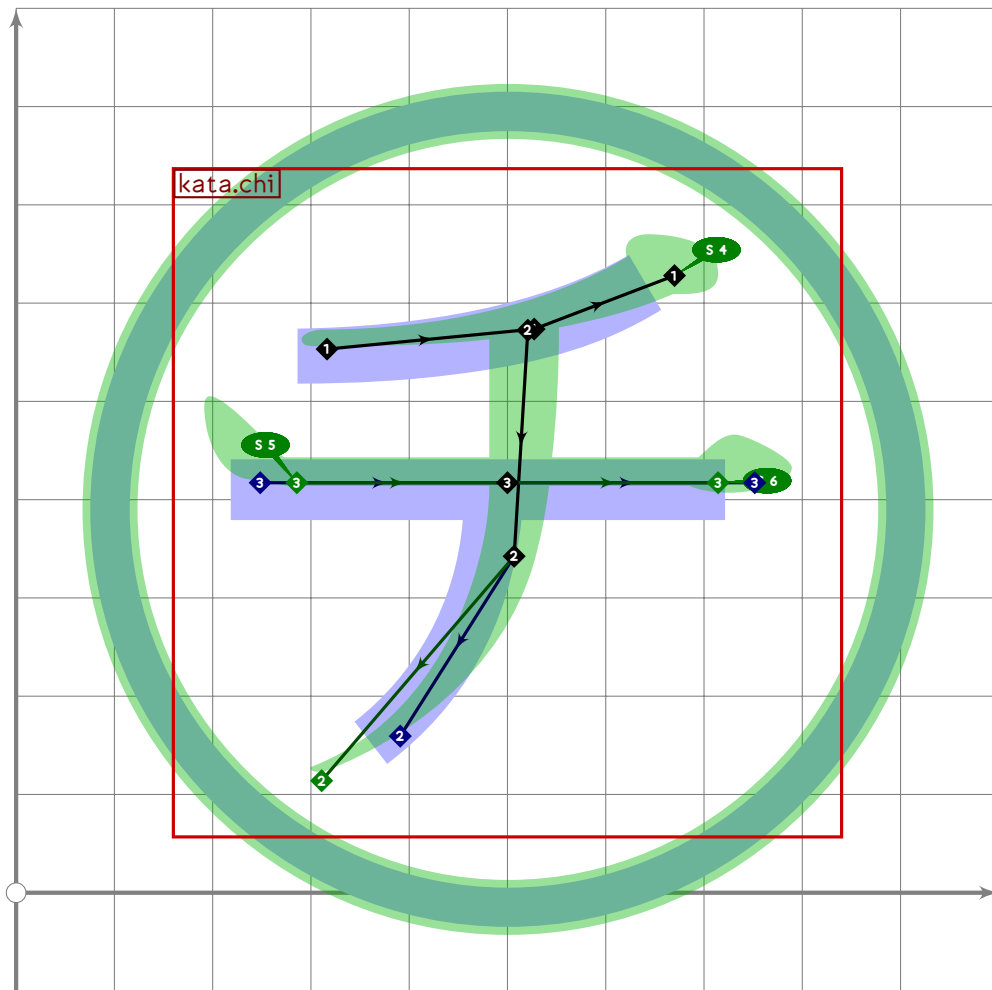
```



```

427 % circled "ta"
428 begint Suglyph("uni32DF",223);
429   tsu_curve.circle.single;
430   tsu_xform(tsu_xf.circled)(tsu_curve.kata.ta);
431   tsu_render_in_circle(tsu_xf.cbound);
432 endsuglyph;
433

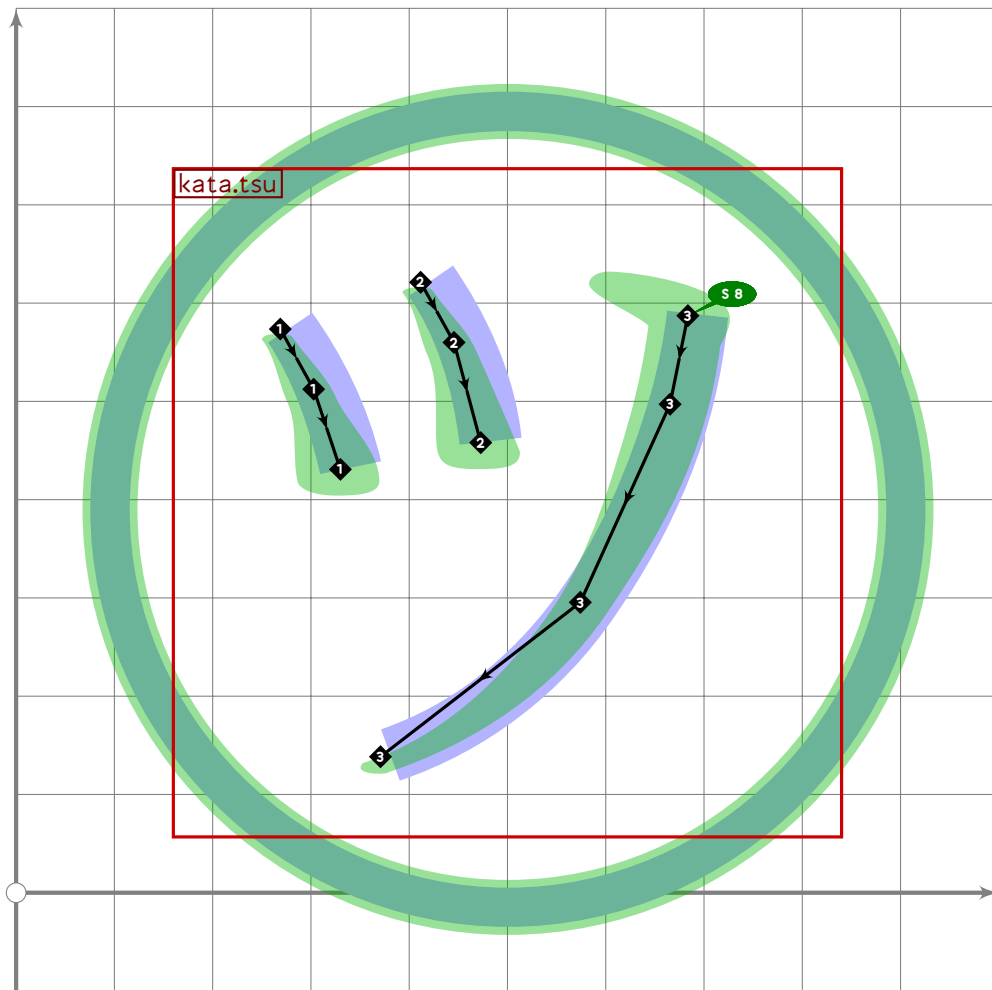
```



```

434 % circled "chi"
435 begint Suglyph("uni32E0";224);
436 tsu_curve.circle.single;
437 tsu_xform(tsu_xf.circled)(tsu_curve.kata.chi);
438 tsu_render_in_circle(tsu_xf.cbound);
439 endsuglyph;
440

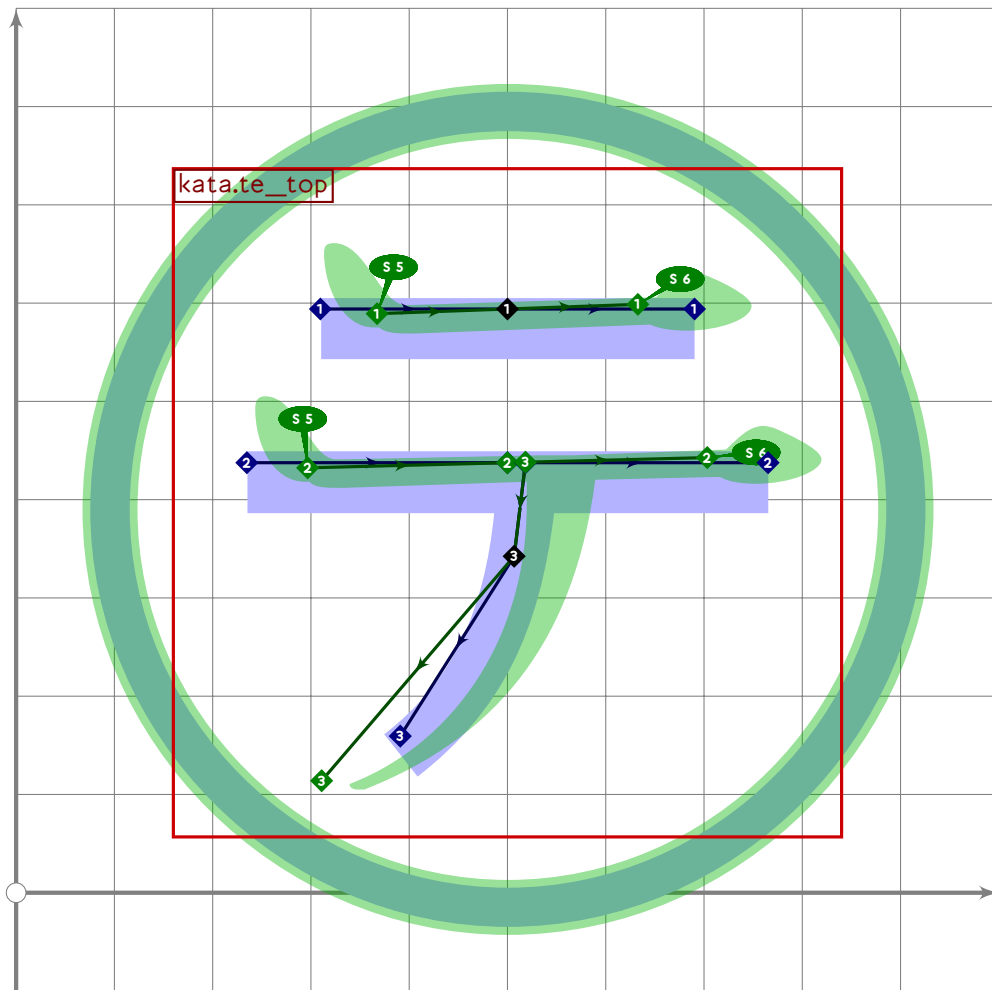
```



```

441 % circled "tsu"
442 begint Suglyph("uni32E1";225);
443   tsu_curve.circle.single;
444   tsu_xform(tsu_xf.circled)(tsu_curve.kata.tsu);
445   tsu_render_in_circle(tsu_xf.cbound);
446 endsuglyph;
447

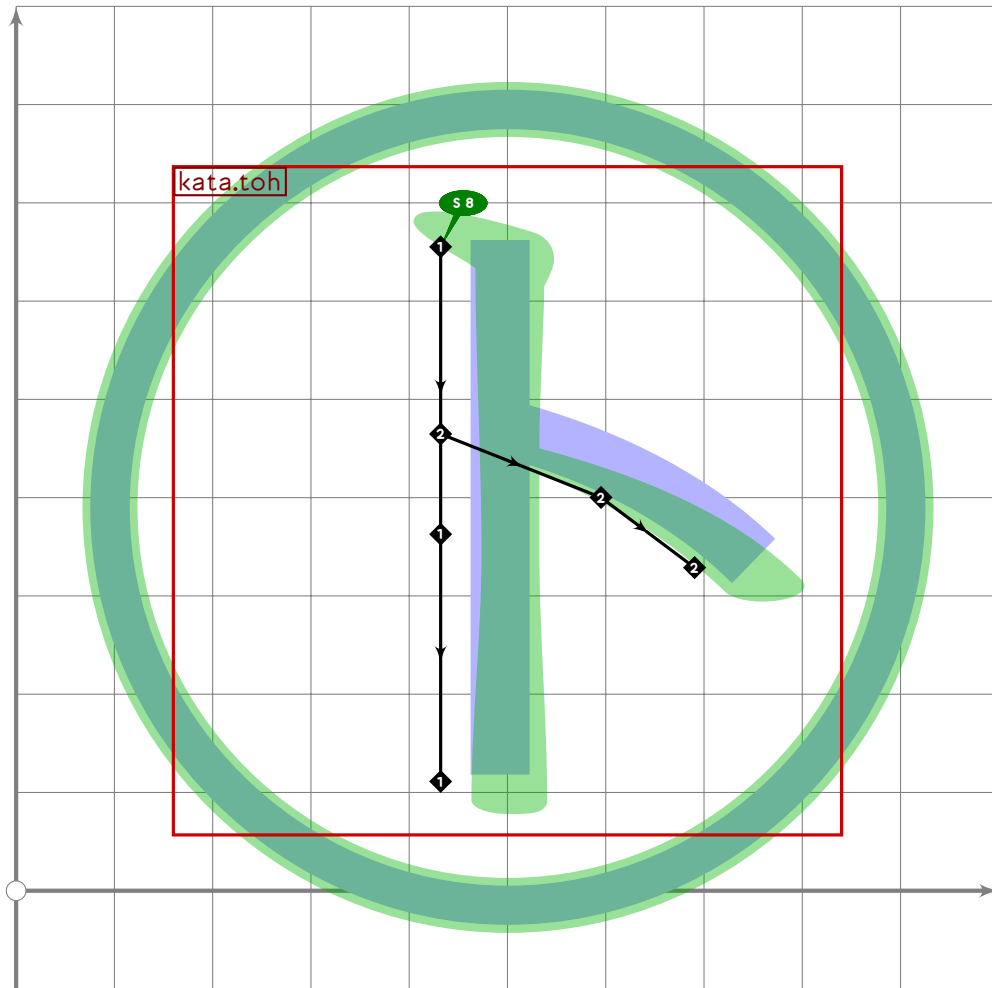
```



```

448 % circled "te"
449 begint Suglyph("uni32E2";226);
450 tsu_curve.circle.single;
451 tsu_xform(tsu_xf.circled)(tsu_curve.kata.te);
452 tsu_render_in_circle(tsu_xf.cbound);
453 endsuglyph;
454

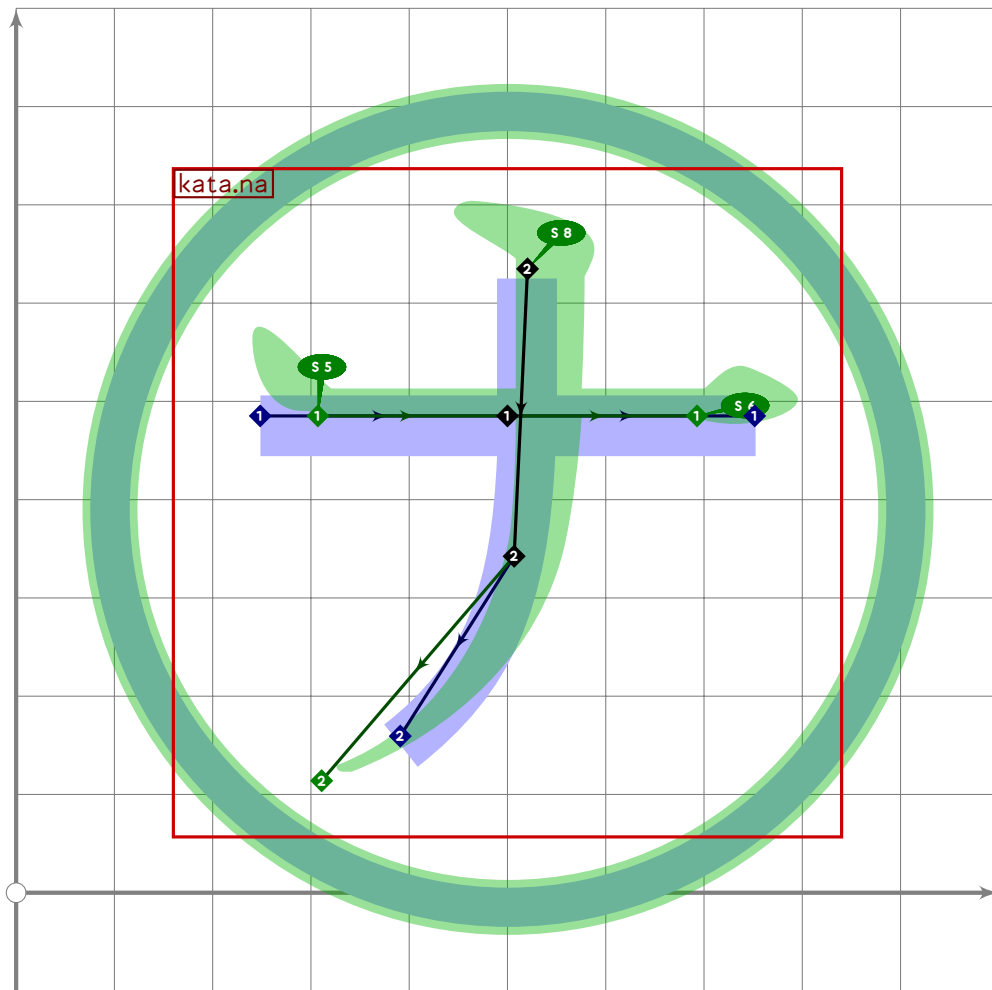
```



```

455 % circled "to"
456 begint Suglyph("uni32E3";227);
457 tsu_curve.circle.single;
458 tsu_xform(tsu_xf.circled)(tsu_curve.kata.toh);
459 tsu_render_in_circle(tsu_xf.cbound);
460 endsuglyph;
461

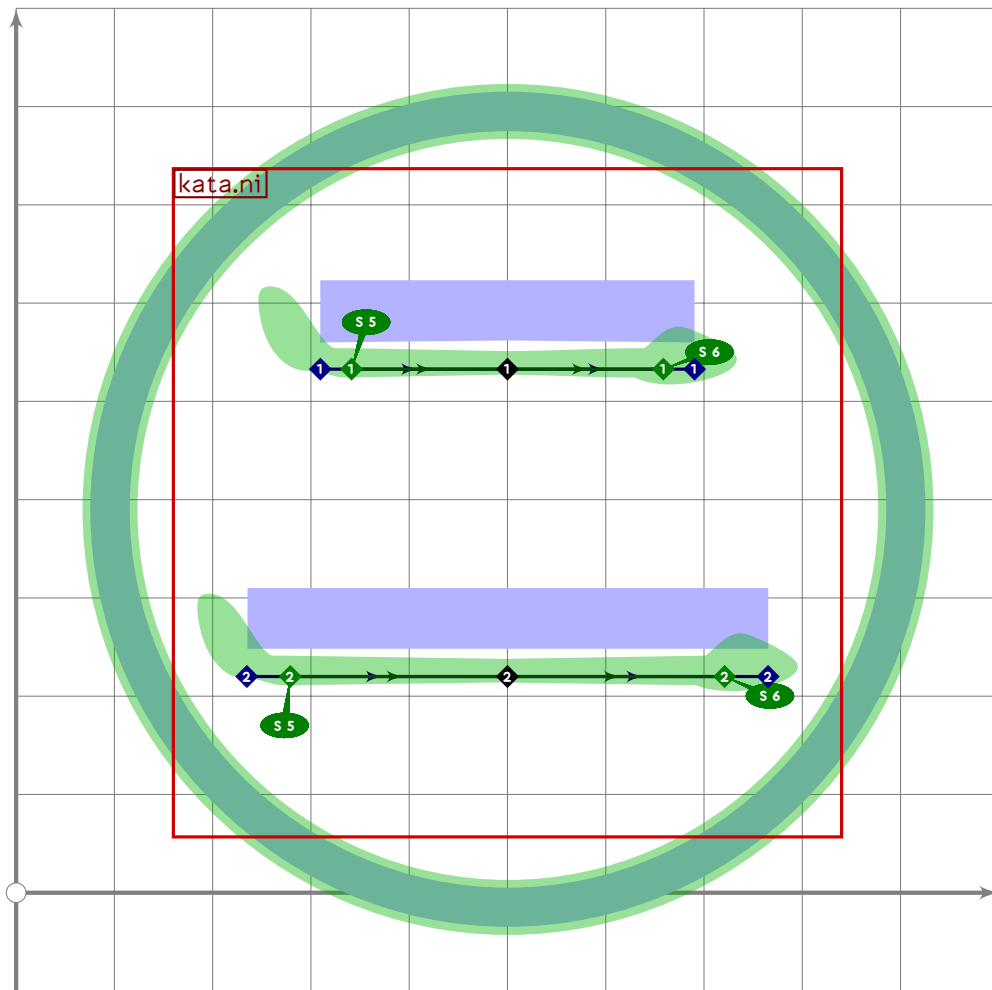
```

```

462 % circled "na"
463 begint Suglyph("uni32E4";228);
464 tsu_curve.circle.single;
465 tsu_xform(tsu_xf.circled)(tsu_curve.kata.na);
466 tsu_render_in_circle(tsu_xf.cbound);
467 endsuglyph;
468

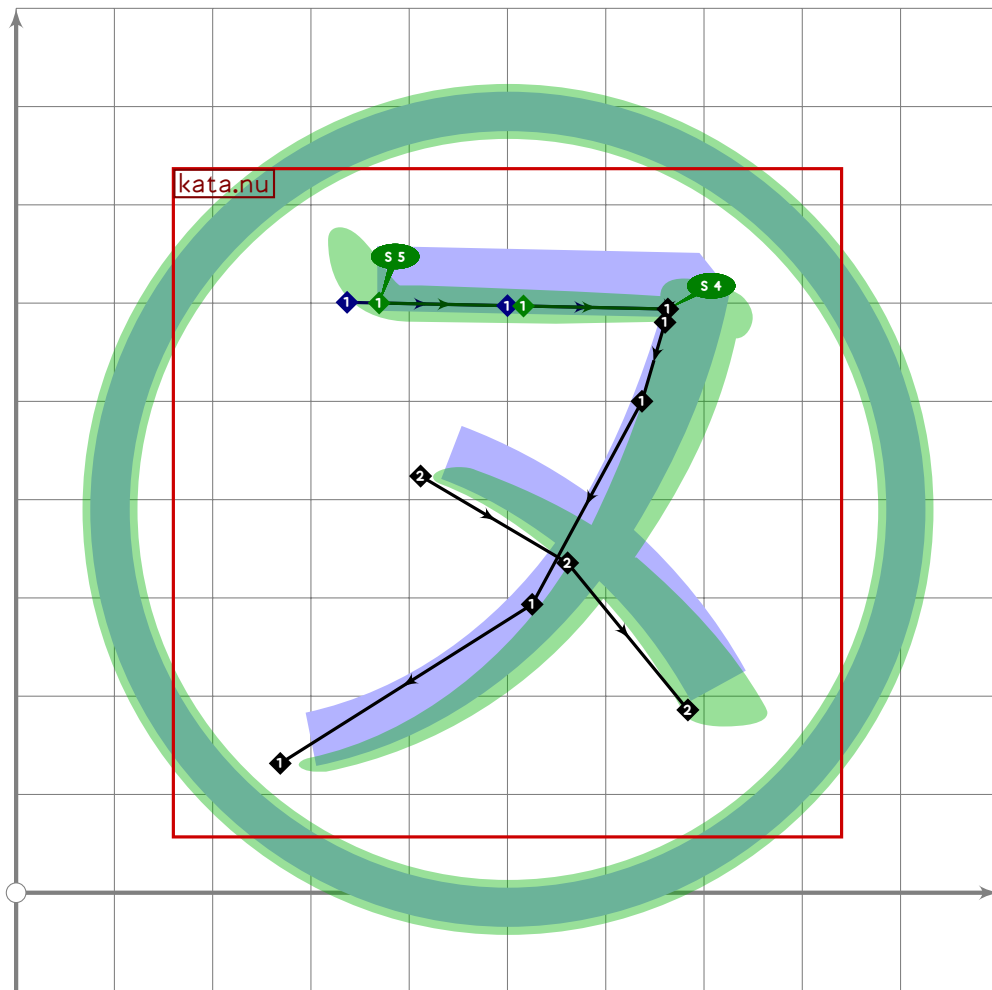
```



```

469 % circled "ni"
470 begint Suglyph("uni32E5";229);
471 tsu_curve.circle.single;
472 tsu_xform(tsu_xf.circled)(tsu_curve.kata.ni);
473 tsu_render_in_circle(tsu_xf.cbound);
474 endsuglyph;
475

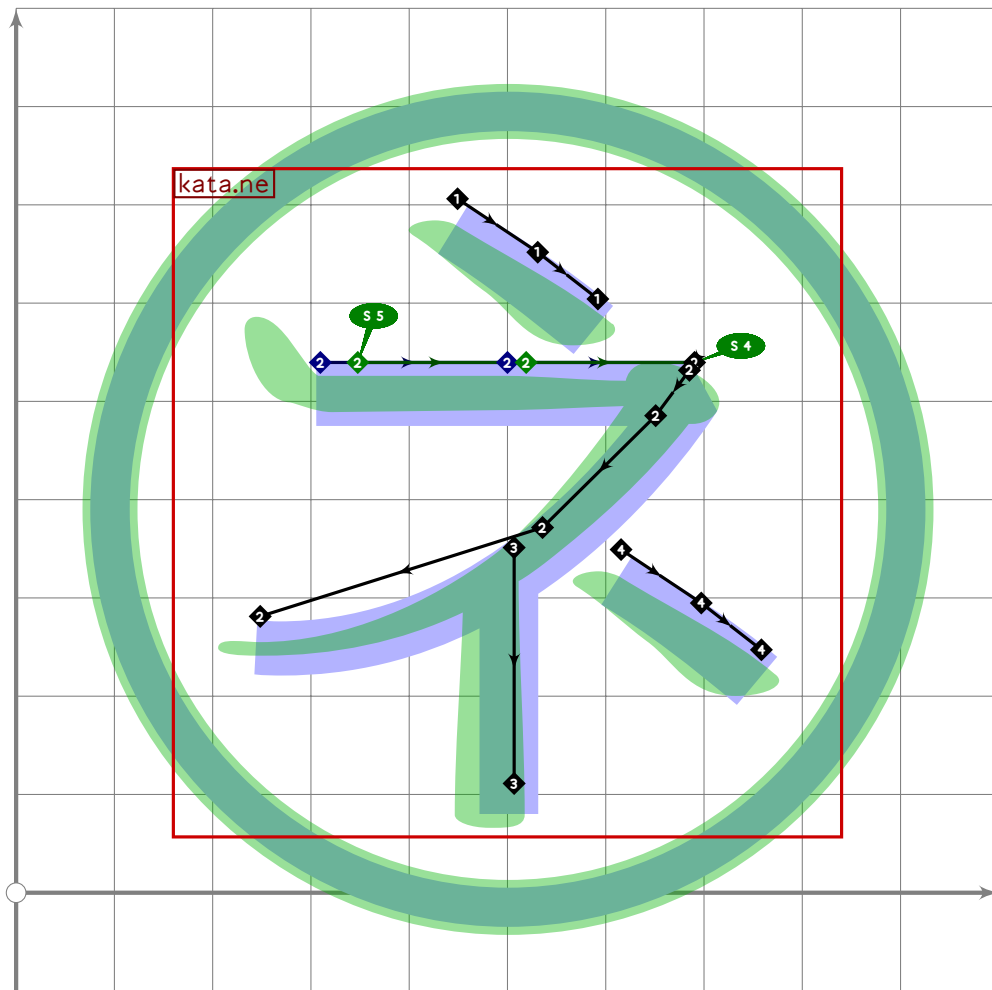
```



```

476 % circled "nu"
477 begint Suglyph("uni32E6";230);
478 tsu_curve.circle.single;
479 tsu_xform(tsu_xf.circled)(tsu_curve.kata.nu);
480 tsu_render_in_circle(tsu_xf.cbound);
481 endsuglyph;
482

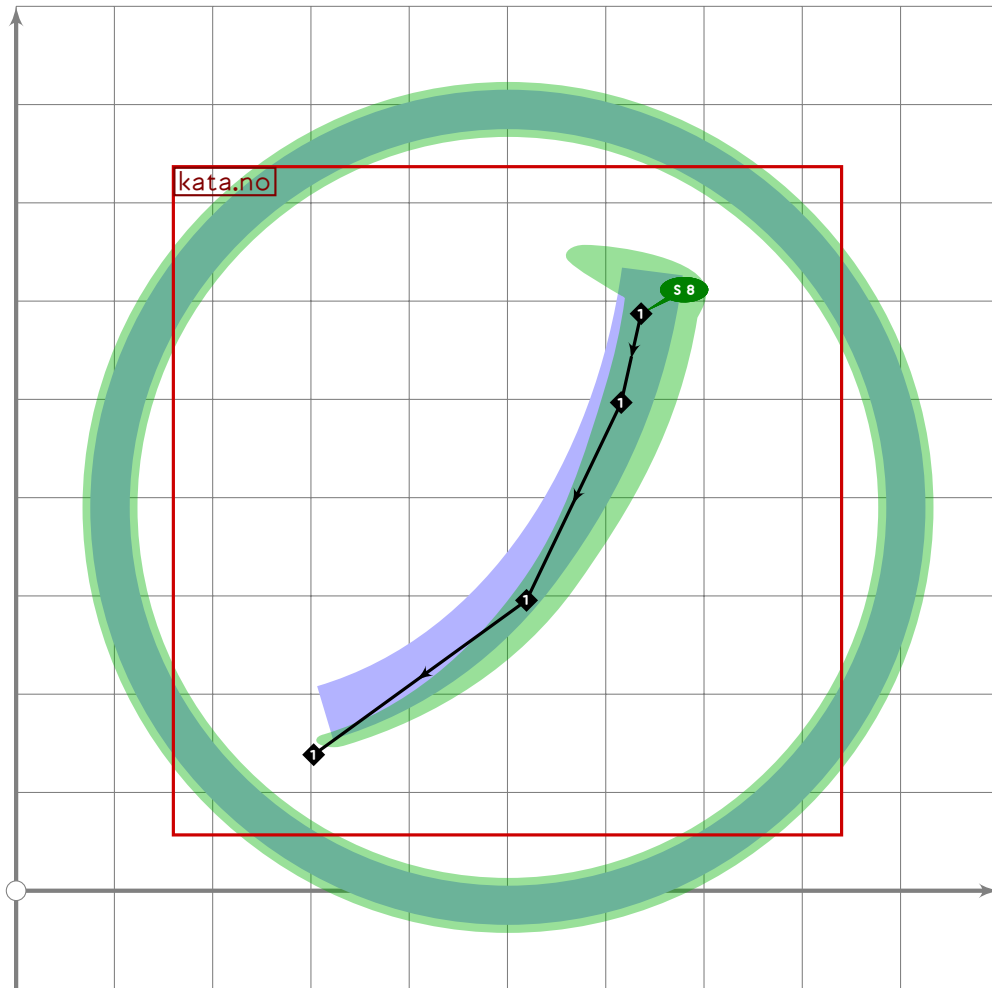
```



```

483 % circled "ne"
484 begint Suglyph("uni32E7";231);
485 tsu_curve.circle.single;
486 tsu_xform(tsu_xf.circled)(tsu_curve.kata.ne);
487 tsu_render_in_circle(tsu_xf.cbound);
488 endsuglyph;
489

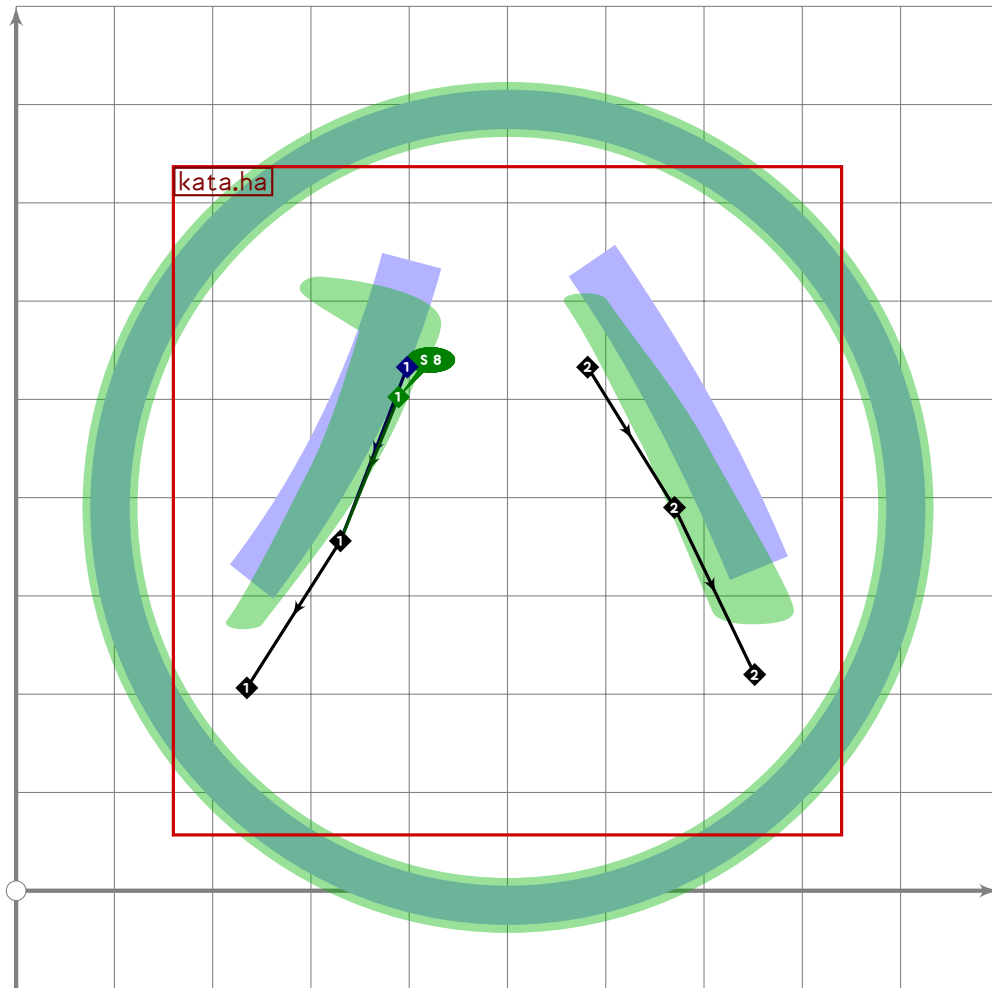
```



```

490 % circled "no"
491 begint Suglyph("uni32E8";232);
492 tsu_curve.circle.single;
493 tsu_xform(tsu_xf.circled)(tsu_curve.kata.no);
494 tsu_render_in_circle(tsu_xf.cbound);
495 endsuglyph;
496

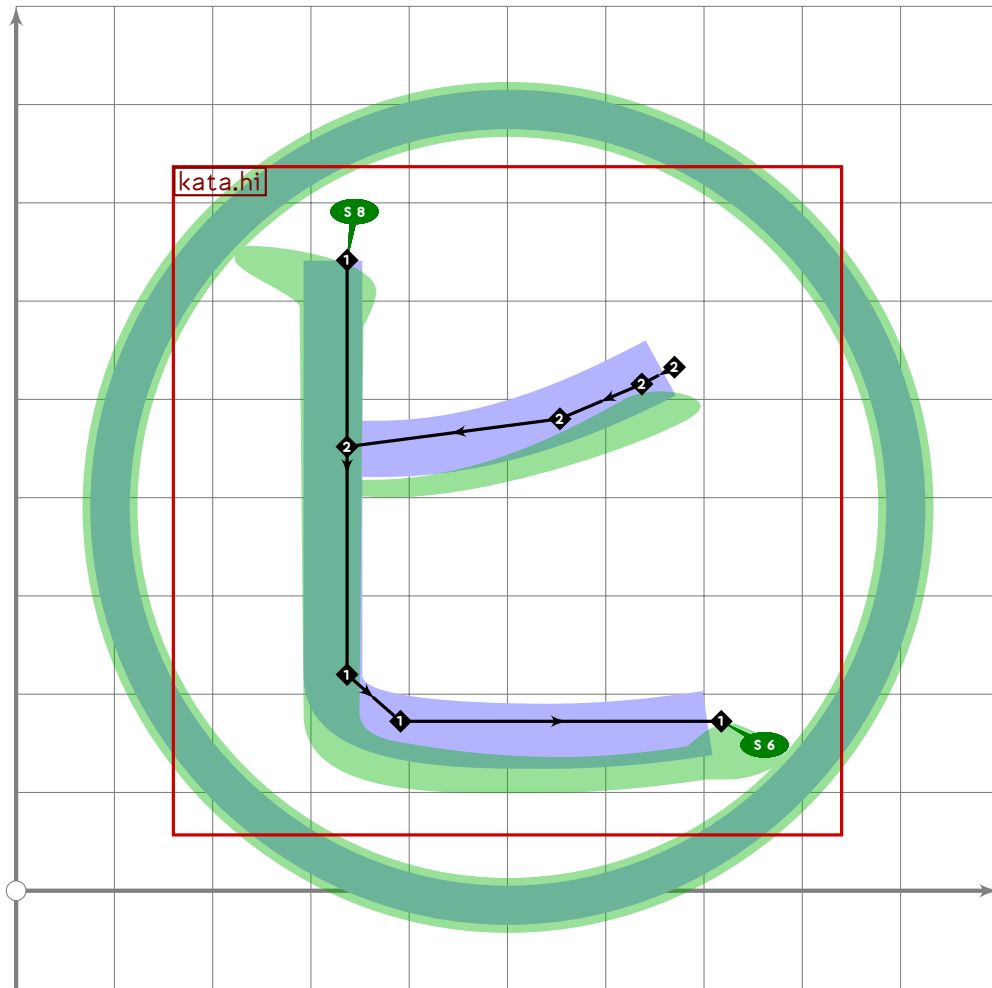
```



```

497 % circled "ha"
498 begint Suglyph("uni32E9";233);
499 tsu_curve.circle.single;
500 tsu_xform(tsu_xf.circled)(tsu_curve.kata.ha);
501 tsu_render_in_circle(tsu_xf.cbound);
502 endsuglyph;
503

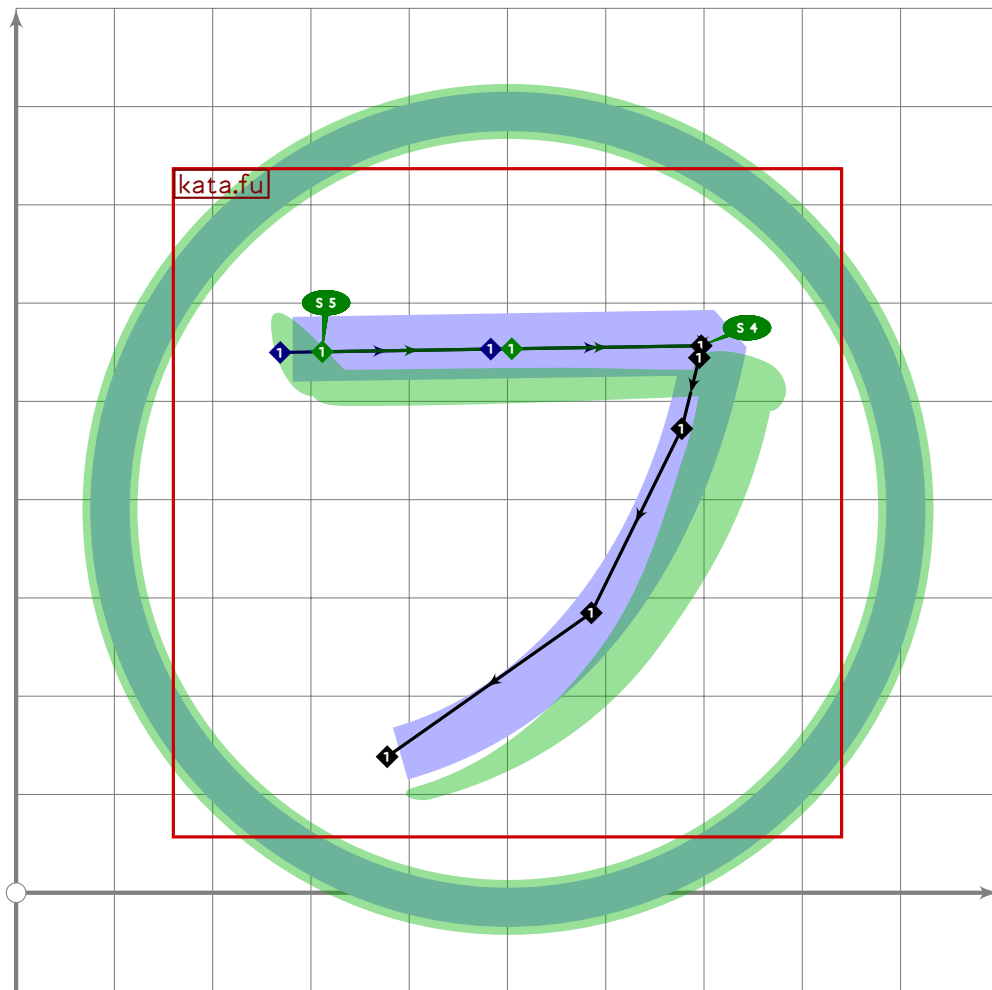
```



```

504 % circled "hi"
505 begint Suglyph("uni32EA";234);
506 tsu_curve.circle.single;
507 tsu_xform(tsu_xf.circled)(tsu_curve.kata.hi);
508 tsu_render_in_circle(tsu_xf.cbound);
509 endsuglyph;
510

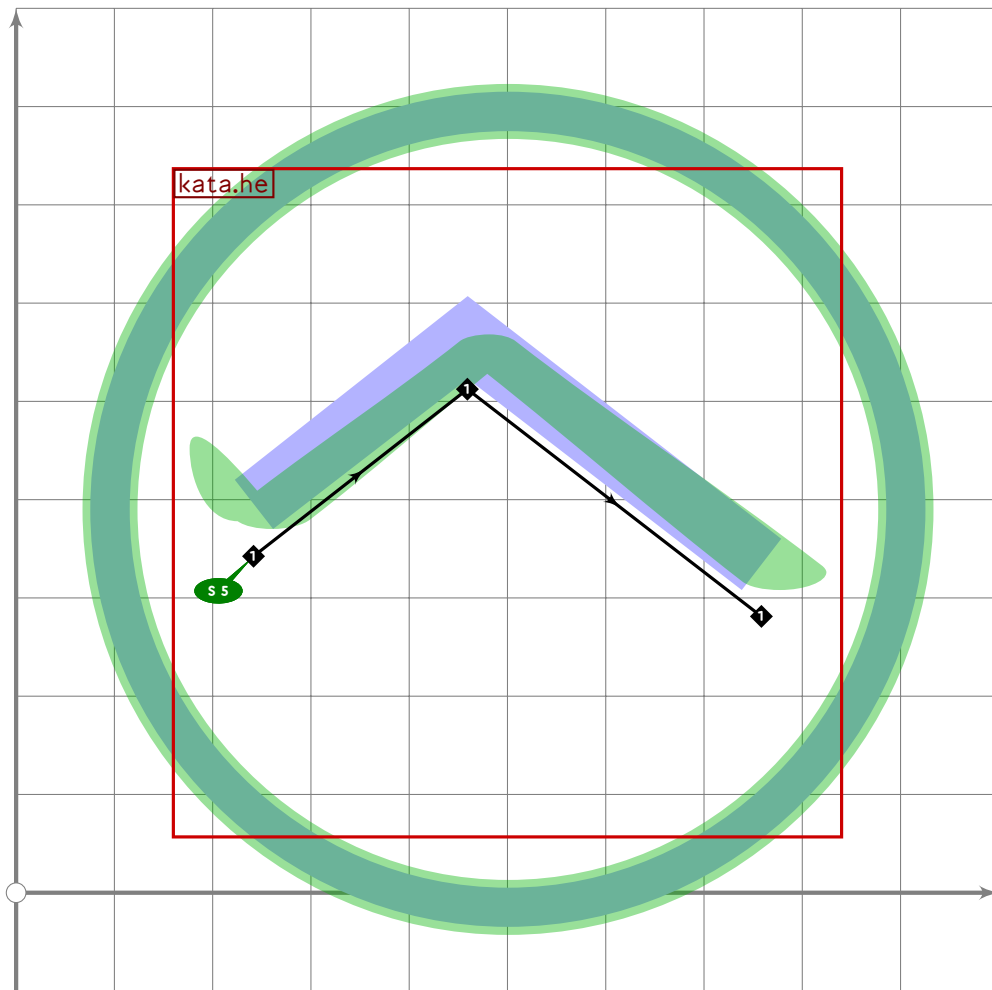
```



```

511 % circled "fu"
512 begint Suglyph("uni32EB";235);
513   tsu_curve.circle.single;
514   tsu_xform(tsu_xf.circled)(tsu_curve.kata.fu);
515   tsu_render_in_circle(tsu_xf.cbound);
516 endsuglyph;
517

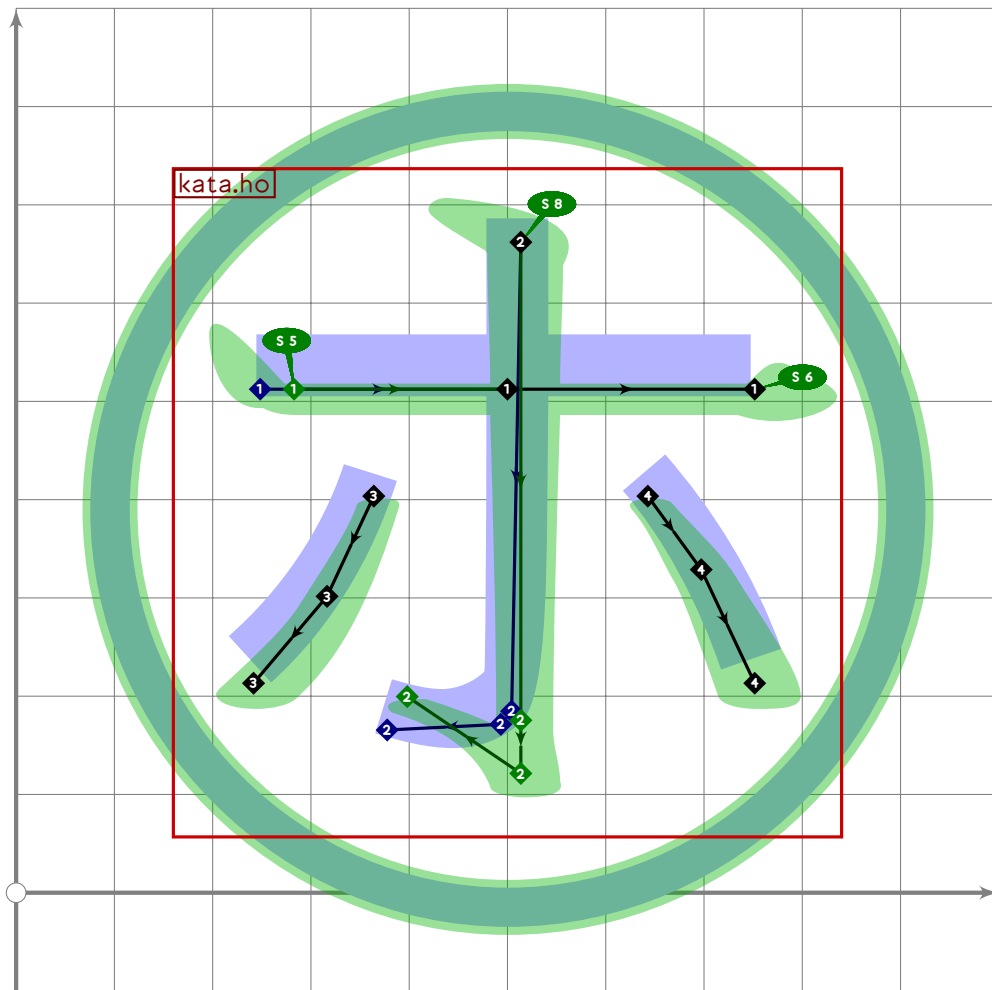
```

```

518 % circled "he"
519 begint Suglyph("uni32EC";236);
520 tsu_curve.circle.single;
521 tsu_xform(tsu_xf.circled)(tsu_curve.kata.he);
522 tsu_render_in_circle(tsu_xf.cbound);
523 endsuglyph;
524

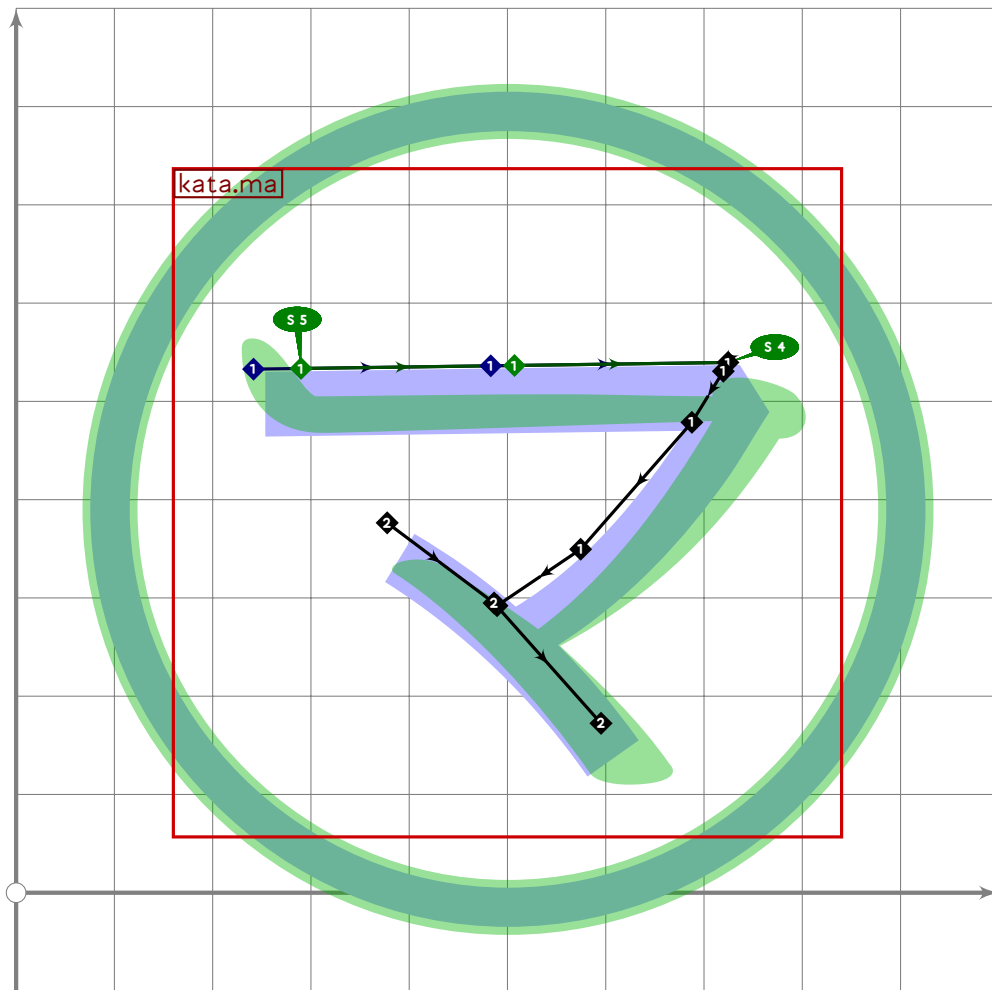
```



```

525 % circled "ho"
526 begint Suglyph("uni32ED";237);
527 tsu_curve.circle.single;
528 tsu_xform(tsu_xf.circled)(tsu_curve.kata.ho);
529 tsu_render_in_circle(tsu_xf.cbound);
530 endsuglyph;
531

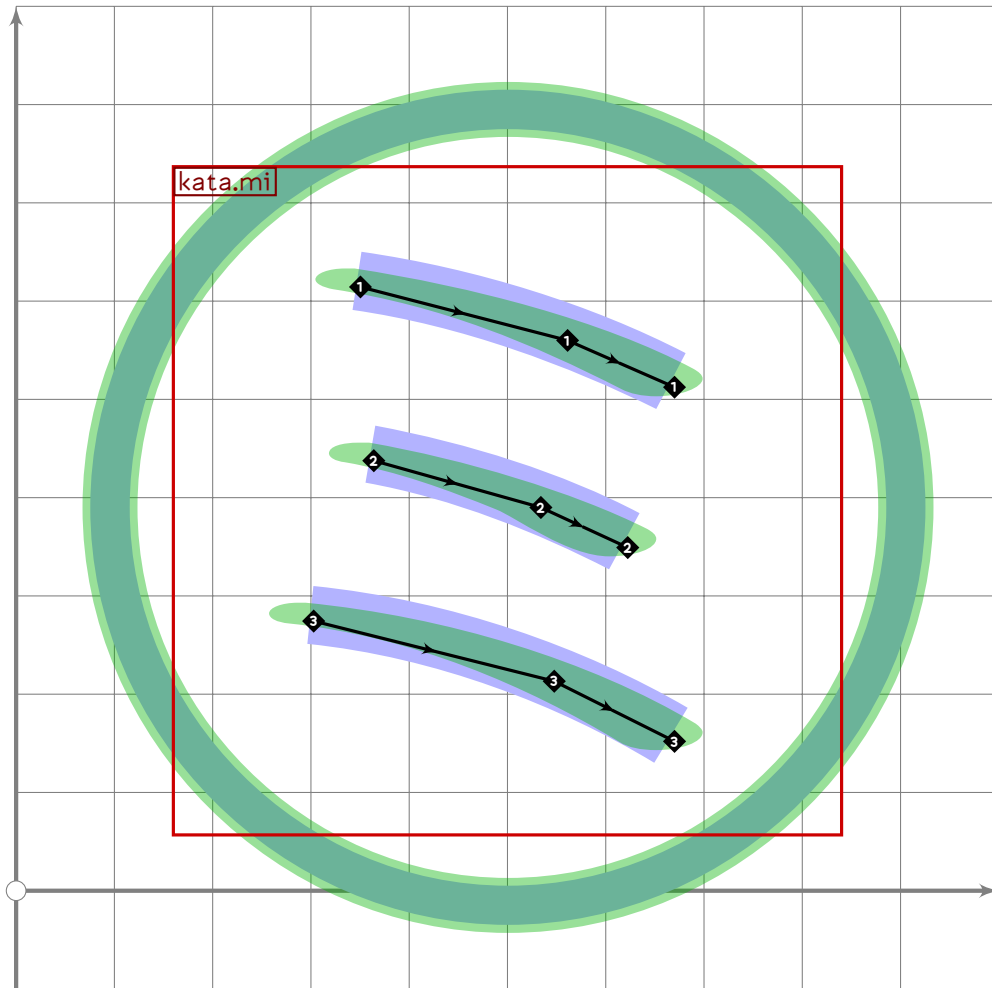
```



```

532 % circled "ma"
533 begint Suglyph("uni32EE";238);
534 tsu_curve.circle.single;
535 tsu_xform(tsu_xf.circled)(tsu_curve.kata.ma);
536 tsu_render_in_circle(tsu_xf.cbound);
537 endtsuglyph;
538

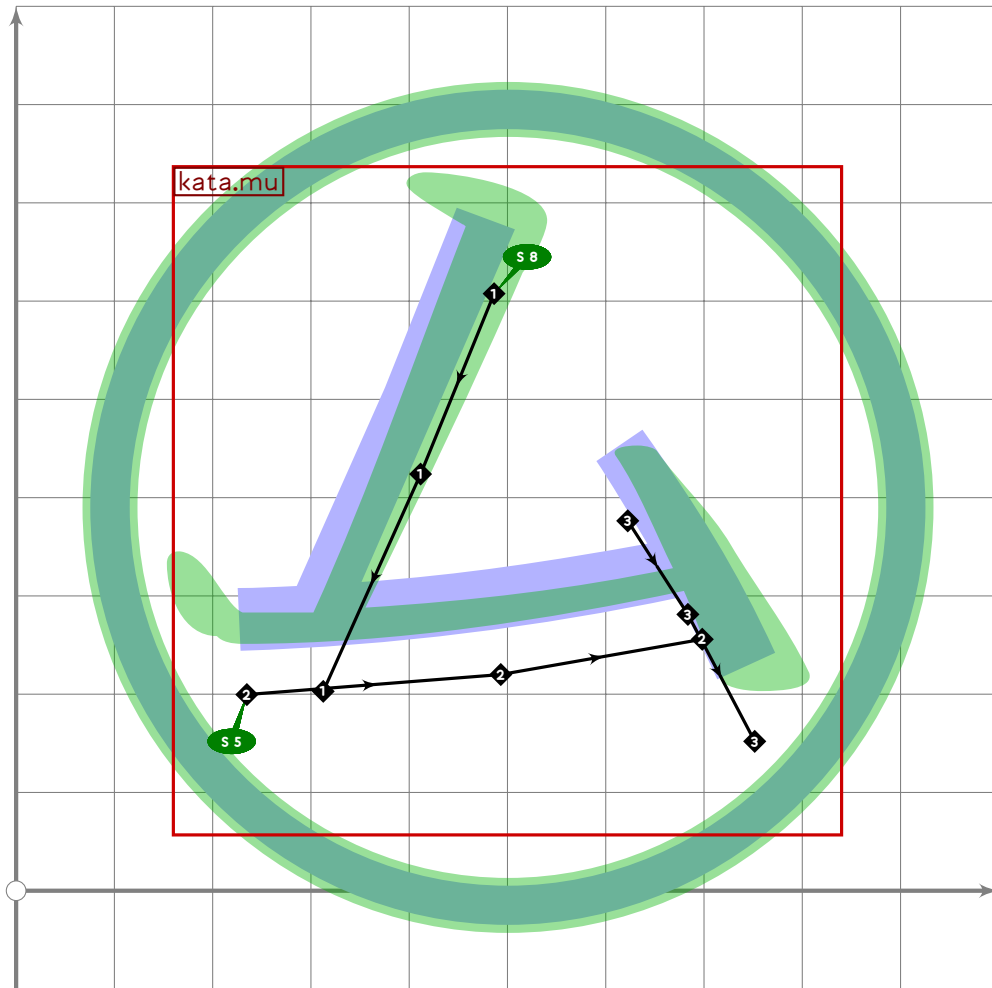
```



```

539 % circled "mi"
540 begint Suglyph("uni32EF";239);
541   tsu_curve.circle.single;
542   tsu_xform(tsu_xf.circled)(tsu_curve.kata.mi);
543   tsu_render_in_circle(tsu_xf.cbound);
544 endsuglyph;
545

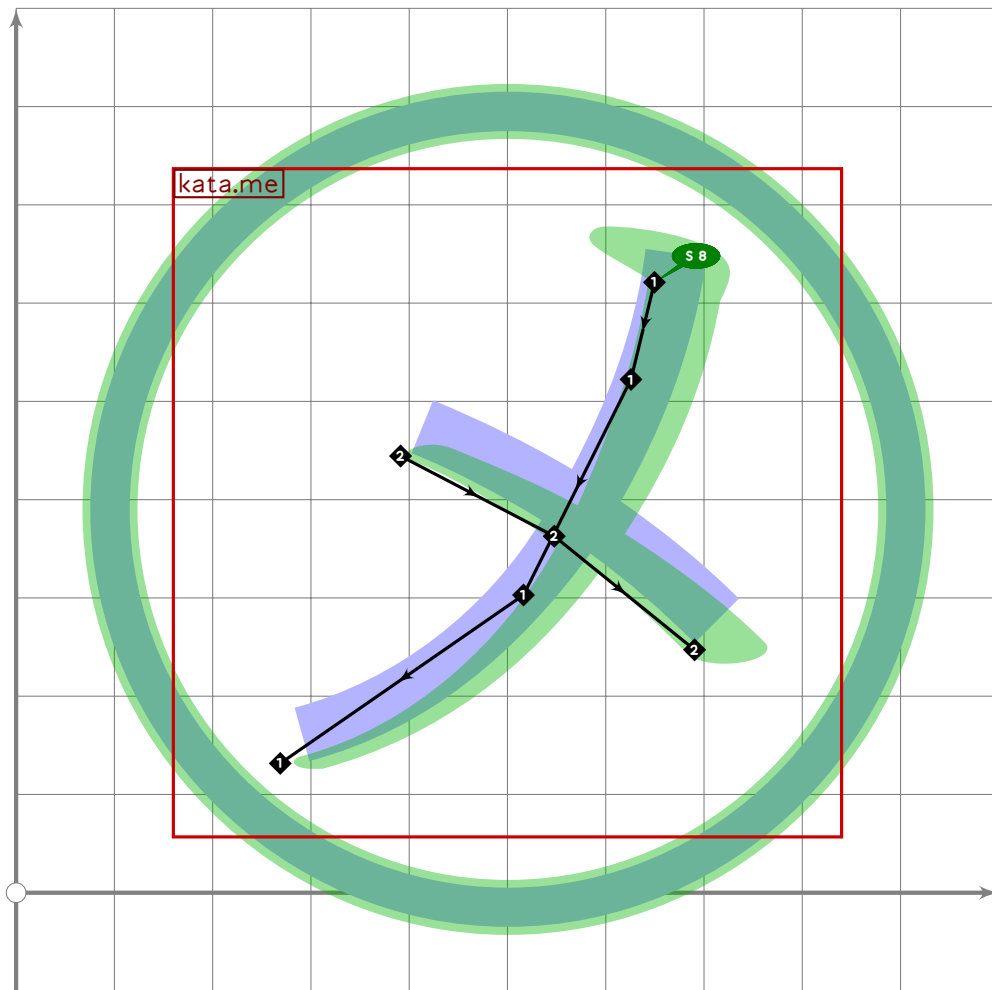
```



```

546 % circled "mu"
547 begint Suglyph("uni32F0";240);
548   tsu_curve.circle.single;
549   tsu_xform(tsu_xf.circled)(tsu_curve.kata.mu);
550   tsu_render_in_circle(tsu_xf.cbound);
551 endsuglyph;
552

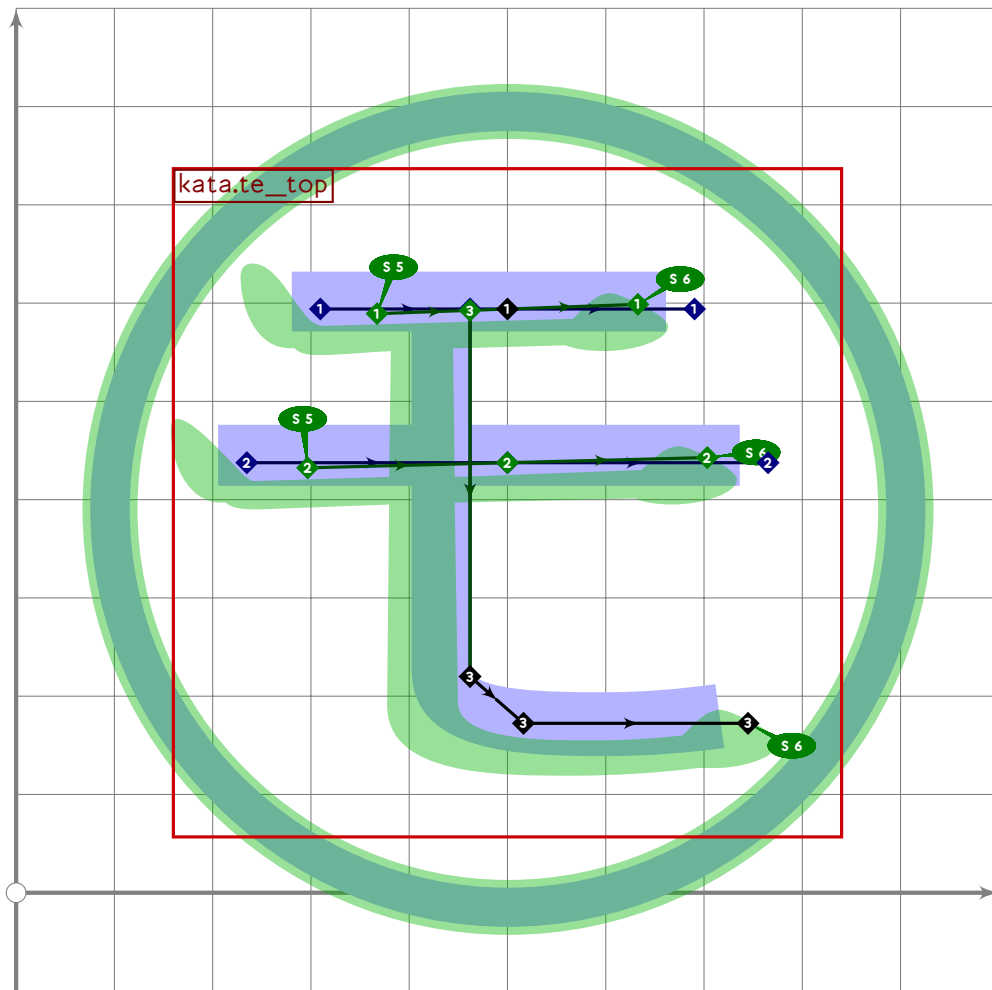
```



```

553 % circled "me"
554 begint Suglyph("uni32F1";241);
555 tsu_curve.circle.single;
556 tsu_xform(tsu_xf.circled)(tsu_curve.kata.me);
557 tsu_render_in_circle(tsu_xf.cbound);
558 endsuglyph;
559

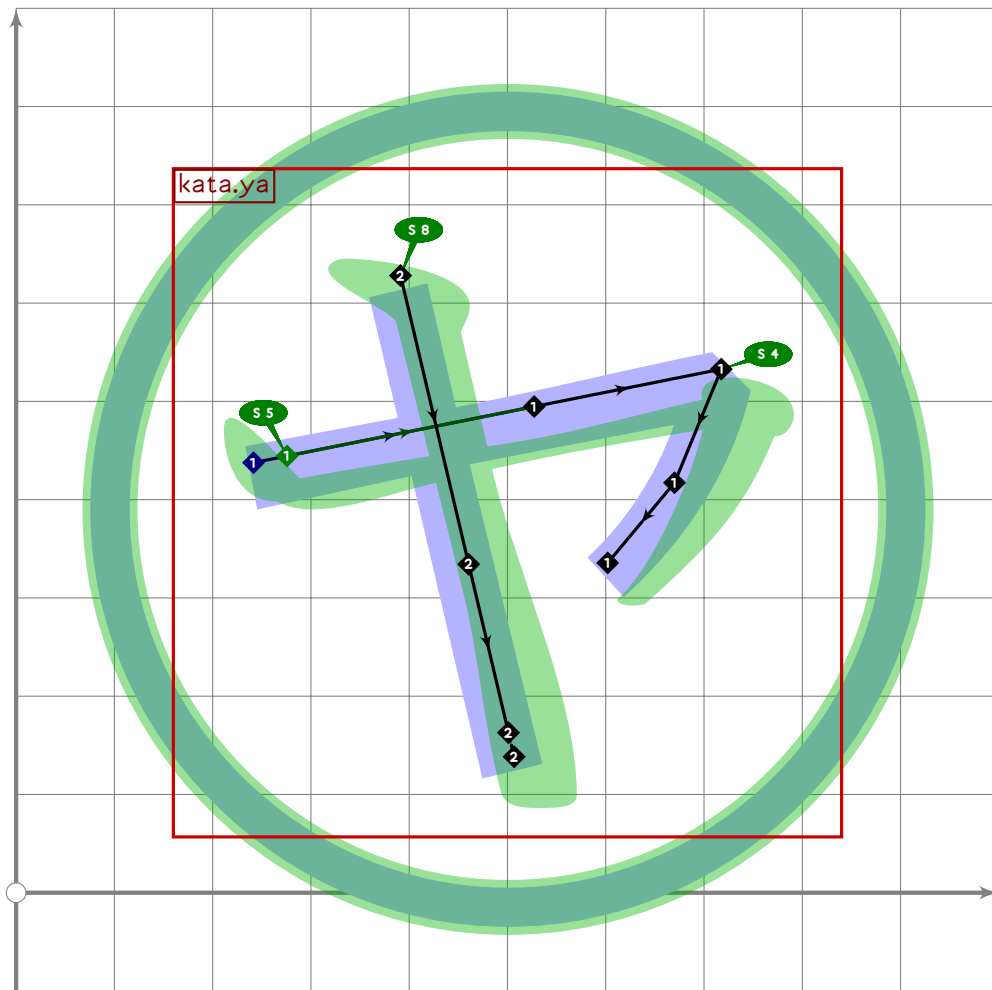
```



```

560 % circled "mo"
561 begint Suglyph("uni32F2";242);
562 tsu_curve.circle.single;
563 tsu_xform(tsu_xf.circled)(tsu_curve.kata.mo);
564 tsu_render_in_circle(tsu_xf.cbound);
565 endsuglyph;
566

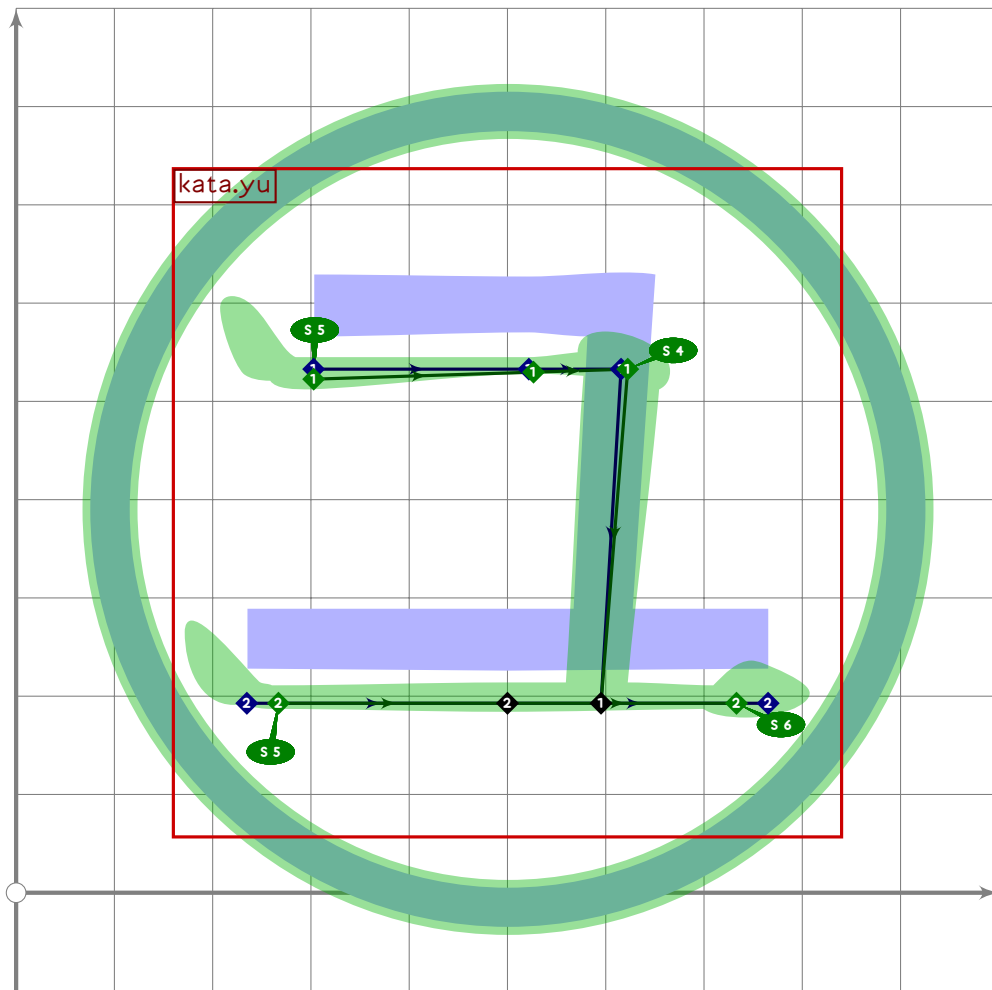
```



```

567 % circled "ya"
568 begint Suglyph("uni32F3";243);
569   tsu_curve.circle.single;
570   tsu_xform(tsu_xf.circled)(tsu_curve.kata.ya);
571   tsu_render_in_circle(tsu_xf.cbound);
572 endsuglyph;
573

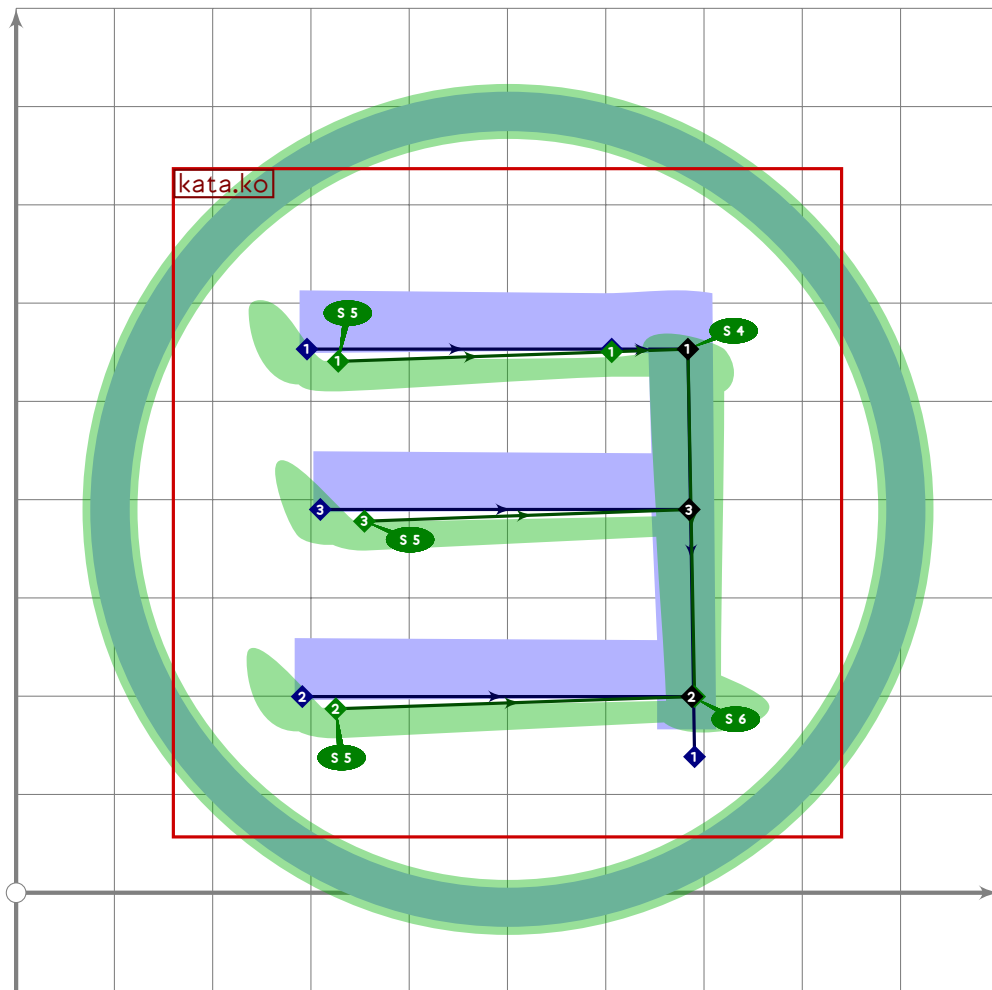
```

```

574 % circled "yu"
575 begint Suglyph("uni32F4";244);
576   tsu_curve.circle.single;
577   tsu_xform(tsu_xf.circled)(tsu_curve.kata.yu);
578   tsu_render_in_circle(tsu_xf.cbound);
579 endsuglyph;
580

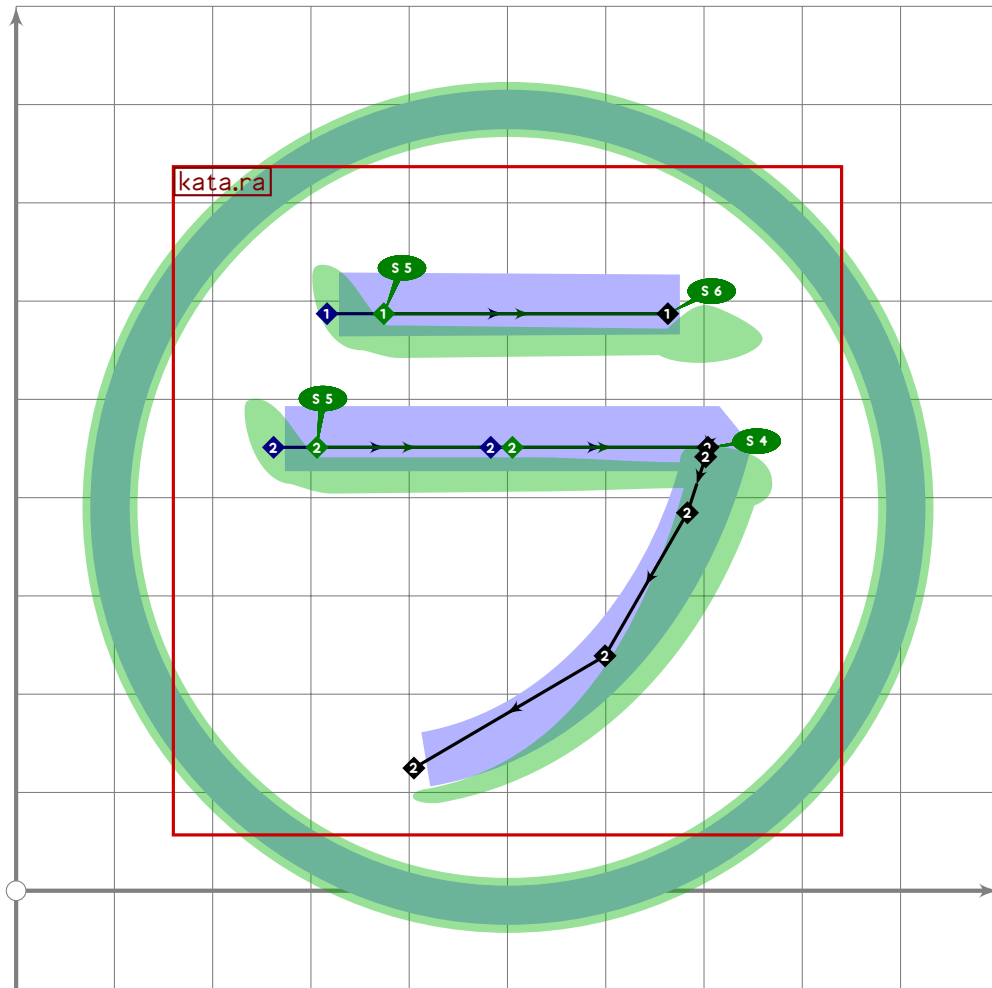
```



```

581 % circled "yo"
582 begint Suglyph("uni32F5";245);
583   tsu_curve.circle.single;
584   tsu_xform(tsu_xf.circled)(tsu_curve.kata.yo);
585   tsu_render_in_circle(tsu_xf.cbound);
586 endsuglyph;
587

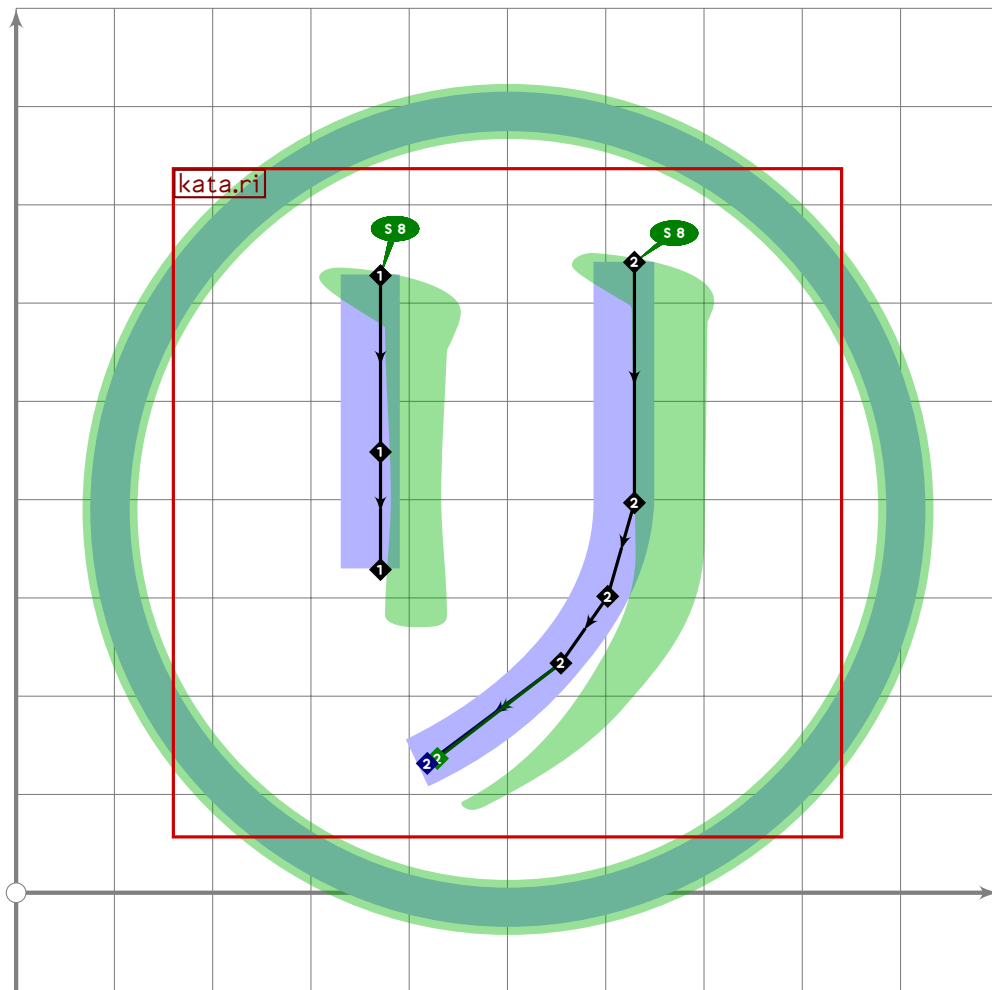
```



```

588 % circled "ra"
589 begint Suglyph("uni32F6";246);
590 tsu_curve.circle.single;
591 tsu_xform(tsu_xf.circled)(tsu_curve.kata.ra);
592 tsu_render_in_circle(tsu_xf.cbound);
593 endsuglyph;
594

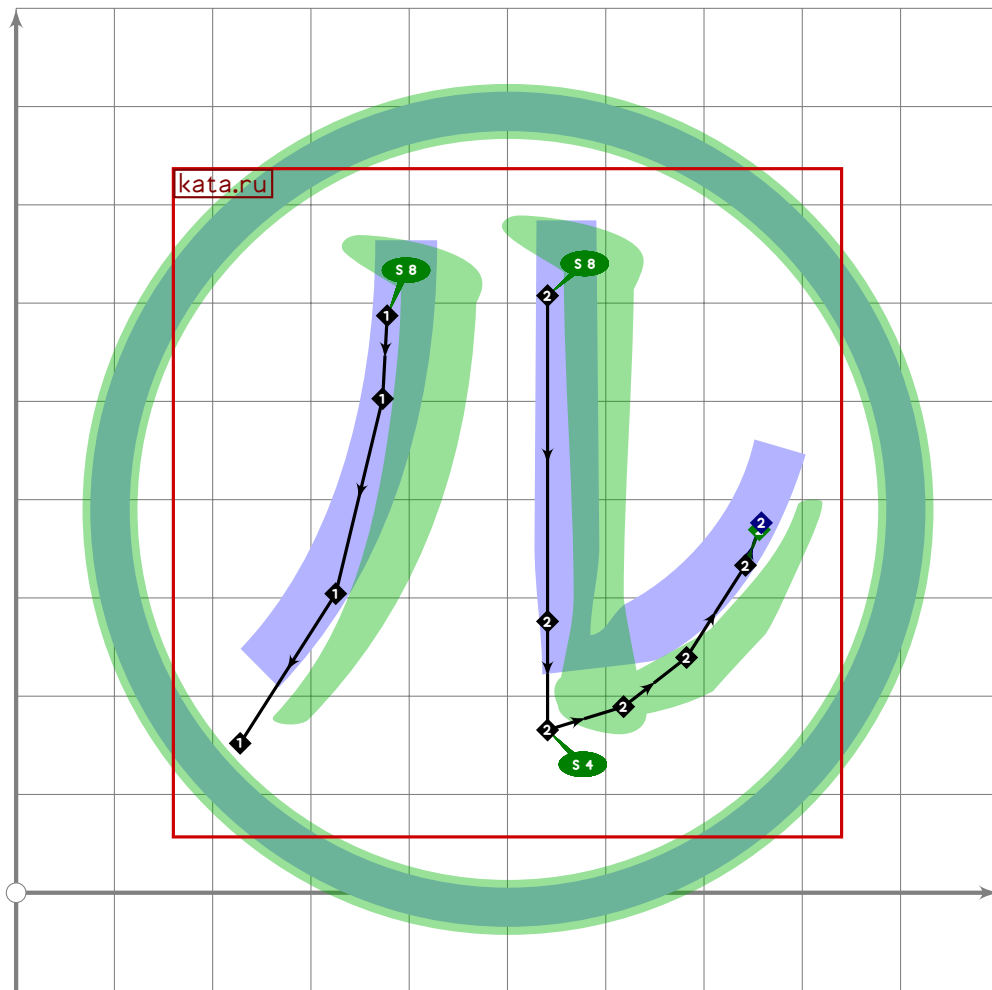
```



```

595 % circled "ri"
596 begint Suglyph("uni32F7";247);
597   tsu_curve.circle.single;
598   tsu_xform(tsu_xf.circled)(tsu_curve.kata.ri);
599   tsu_render_in_circle(tsu_xf.cbound);
600 endsuglyph;
601

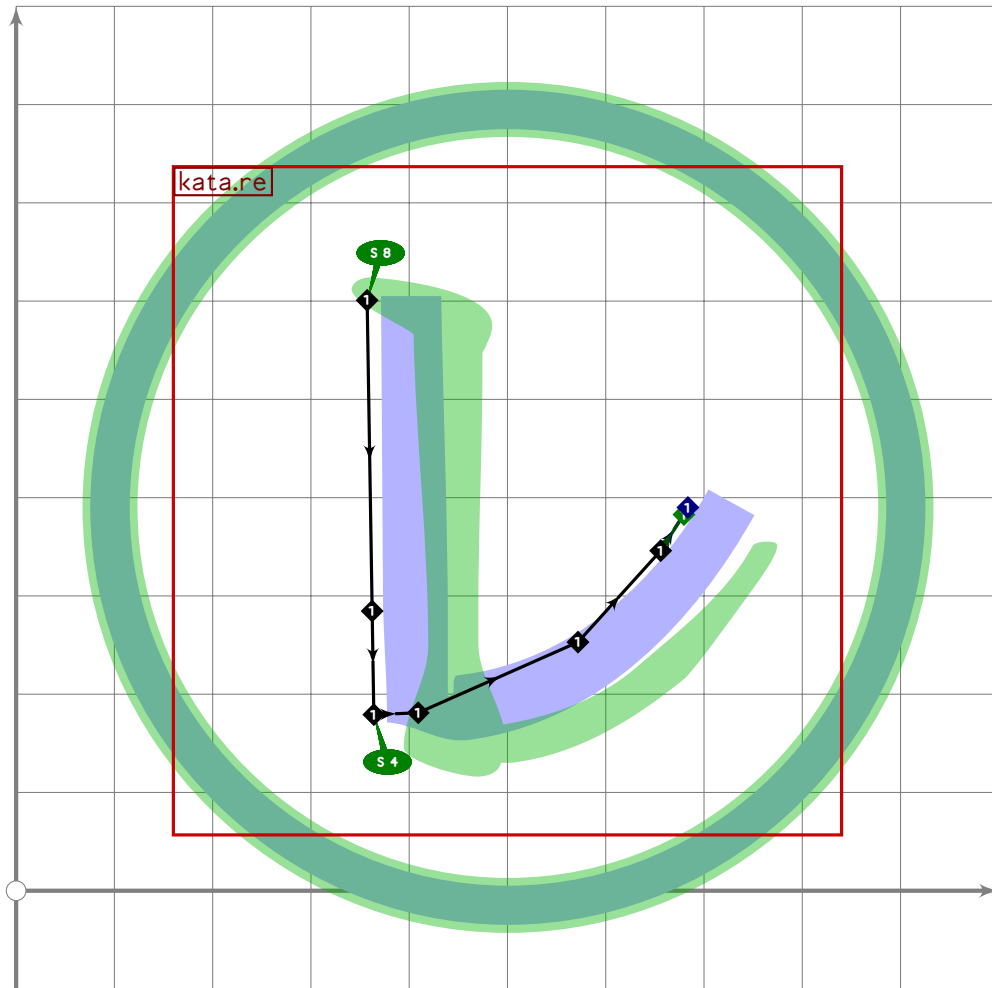
```



```

602 % circled "ru"
603 begint Suglyph("uni32F8";248);
604   tsu_curve.circle.single;
605   tsu_xform(tsu_xf.circled)(tsu_curve.kata.ru);
606   tsu_render_in_circle(tsu_xf.cbound);
607 endsuglyph;
608

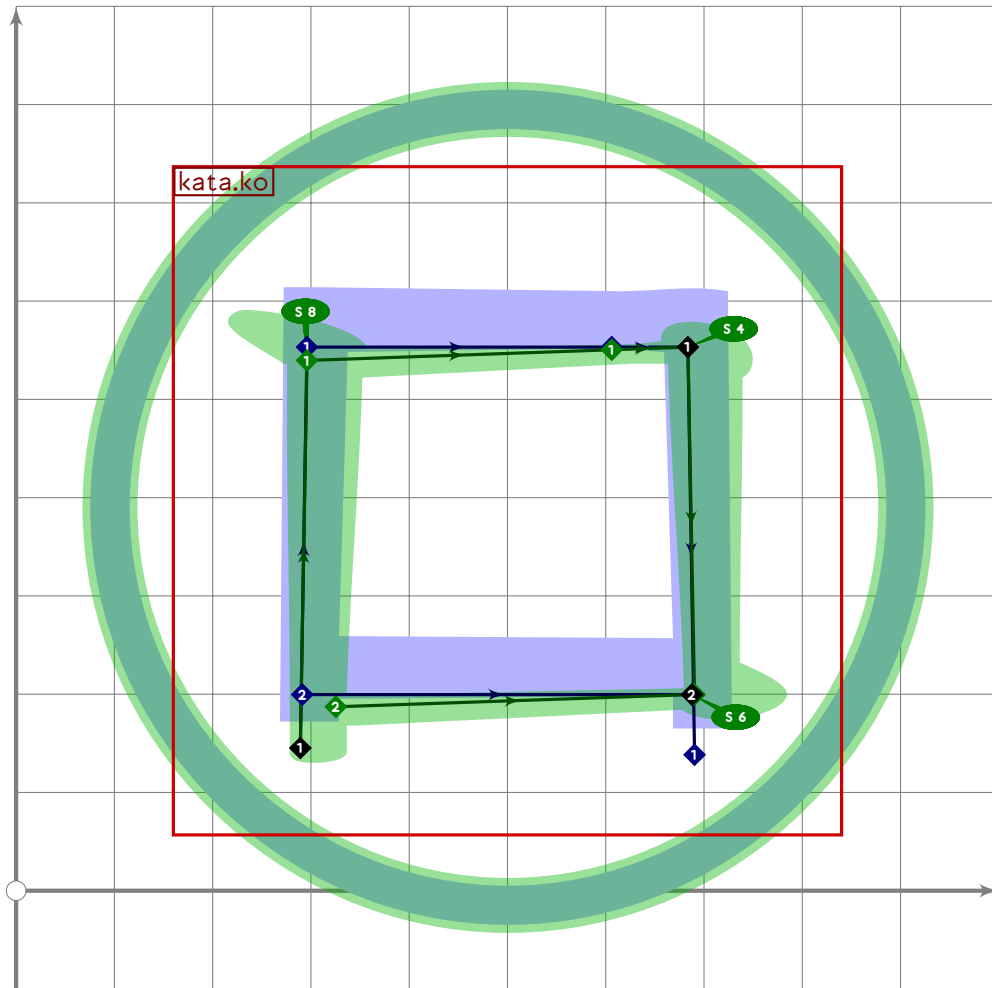
```



```

609 % circled "re"
610 begint Suglyph("uni32F9";249);
611   tsu_curve.circle.single;
612   tsu_xform(tsu_xf.circled)(tsu_curve.kata.re);
613   tsu_render_in_circle(tsu_xf.cbound);
614 endsuglyph;
615

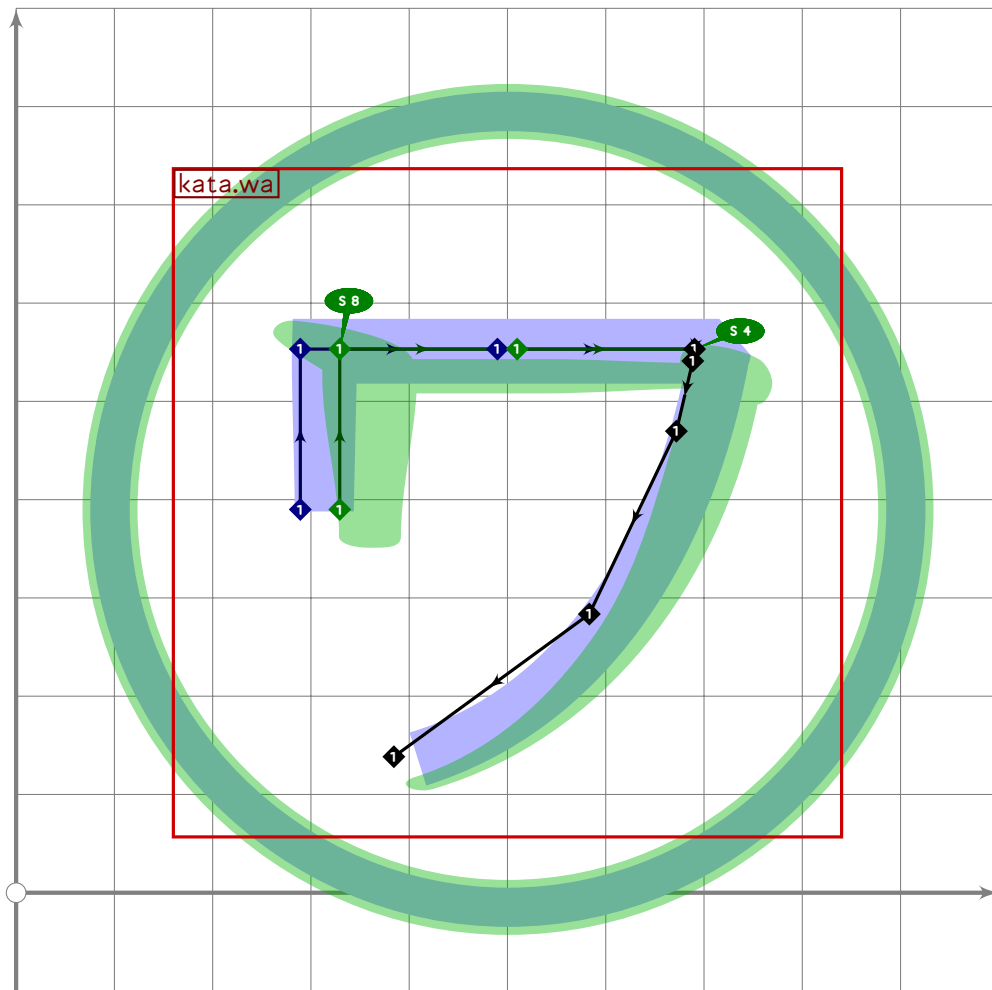
```



```

616 % circled "ro"
617 begint Suglyph("uni32FA";250);
618   tsu_curve.circle.single;
619   tsu_xform(tsu_xf.circled)(tsu_curve.kata.ro);
620   tsu_render_in_circle(tsu_xf.cbound);
621 endsuglyph;
622

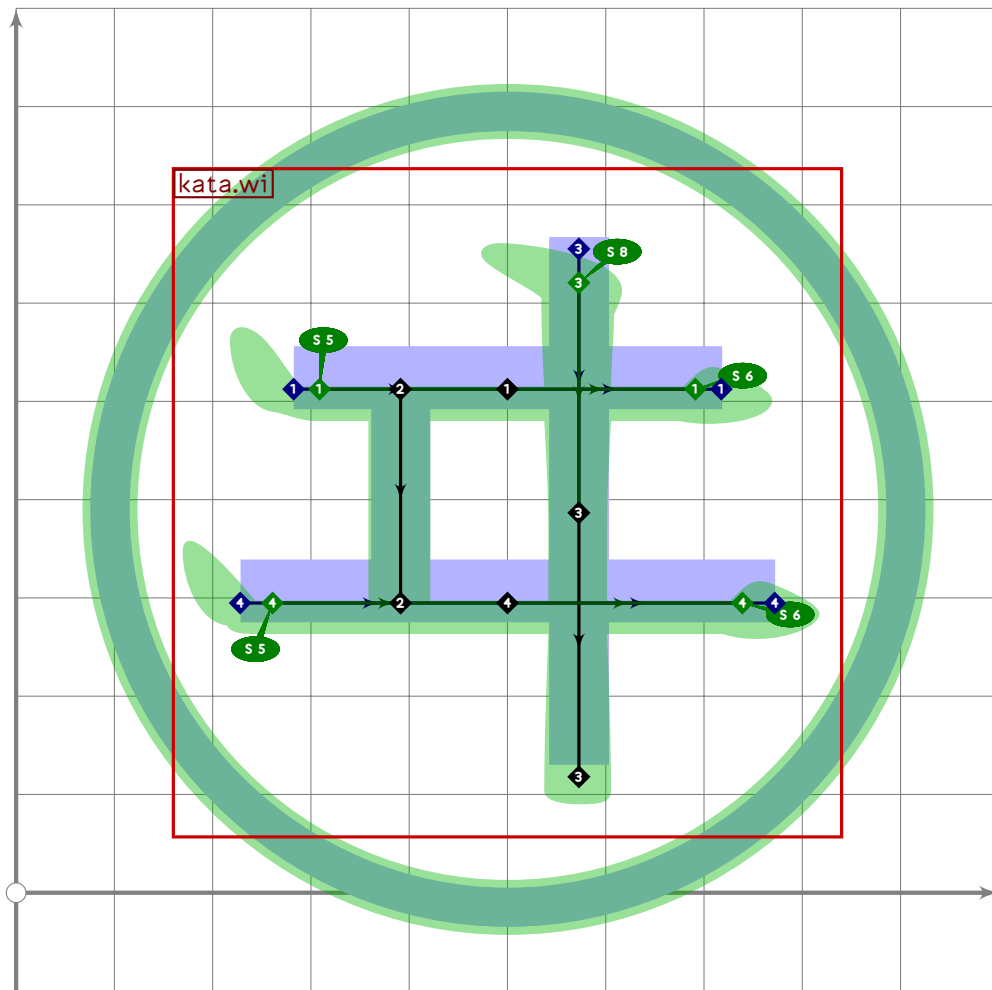
```



```

623 % circled "wa"
624 begint Suglyph("uni32FB";251);
625 tsu_curve.circle.single;
626 tsu_xform(tsu_xf.circled)(tsu_curve.kata.wa);
627 tsu_render_in_circle(tsu_xf.cbound);
628 endsuglyph;
629

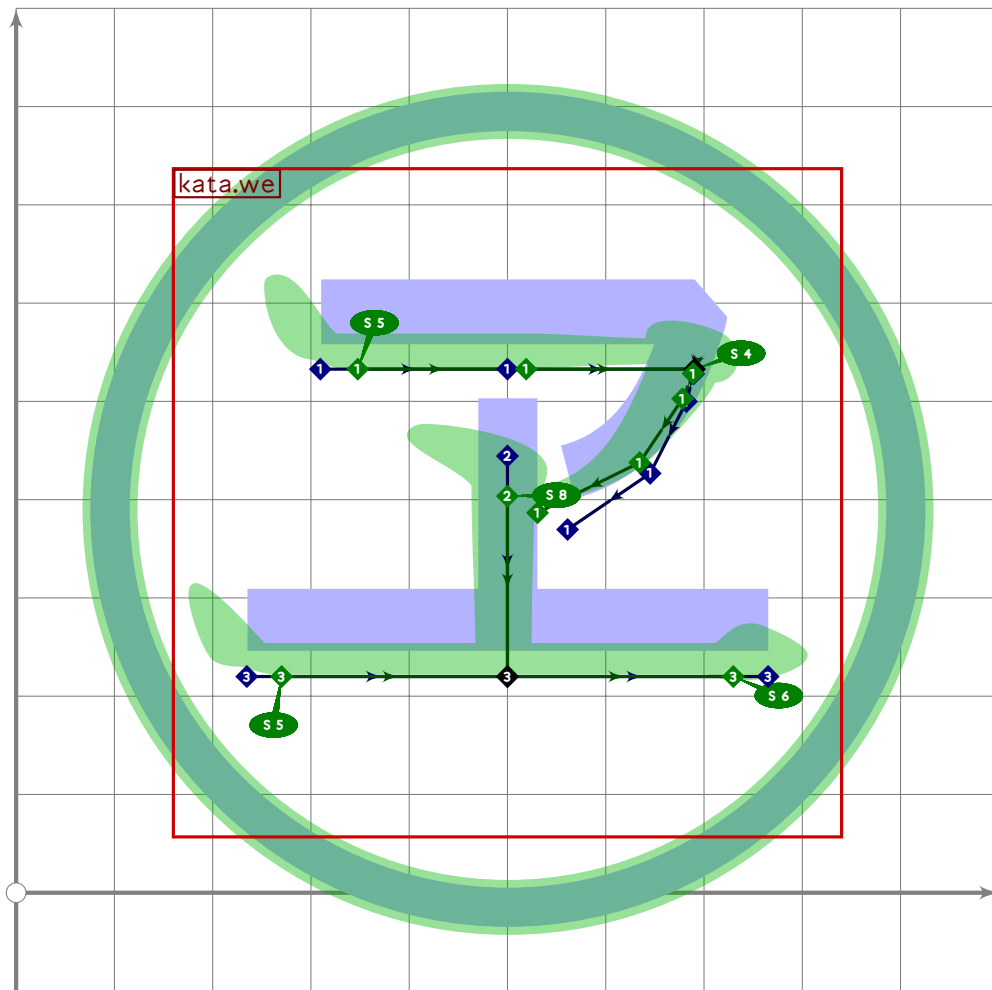
```

```

630 % circled "wi"
631 begint Suglyph("uni32FC";252);
632 tsu_curve.circle.single;
633 tsu_xform(tsu_xf.circled)(tsu_curve.kata.wi);
634 tsu_render_in_circle(tsu_xf.cbound);
635 endsuglyph;
636

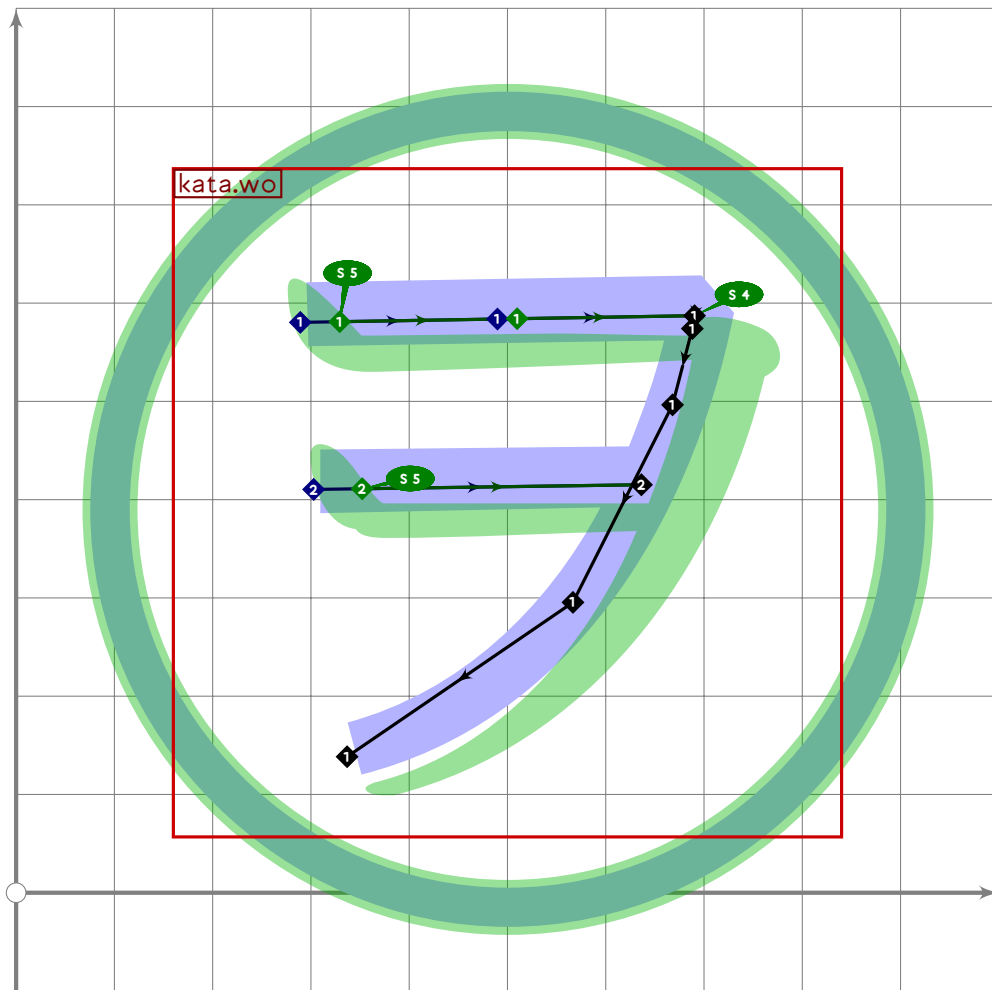
```



```

637 % circled "we"
638 begint Suglyph("uni32FD";253);
639   tsu_curve.circle.single;
640   tsu_xform(tsu_xf.circled)(tsu_curve.kata.we);
641   tsu_render_in_circle(tsu_xf.cbound);
642 endsuglyph;
643

```



```

644 % circled "wo"
645 \begin{suglyph{"uni32FE";254};
646   \tsu_curve.circle.single;
647   \tsu_xform(\tsu_xf.circled)(\tsu_curve.kata.wo);
648   \tsu_render_in_circle(\tsu_xf.cbound);
649 \end{suglyph};
650
651 _____
652
653 \endfont;
654
655 _____

```

tsuku-4d.mp

```
1 %
2 % Unicode page 4D (I Ching/Yijing) for Tsukurimashou
3 % Copyright (C) 2011 Matthew Skala
4 %
5-29 [Standard copyright notice]
30
31 

---

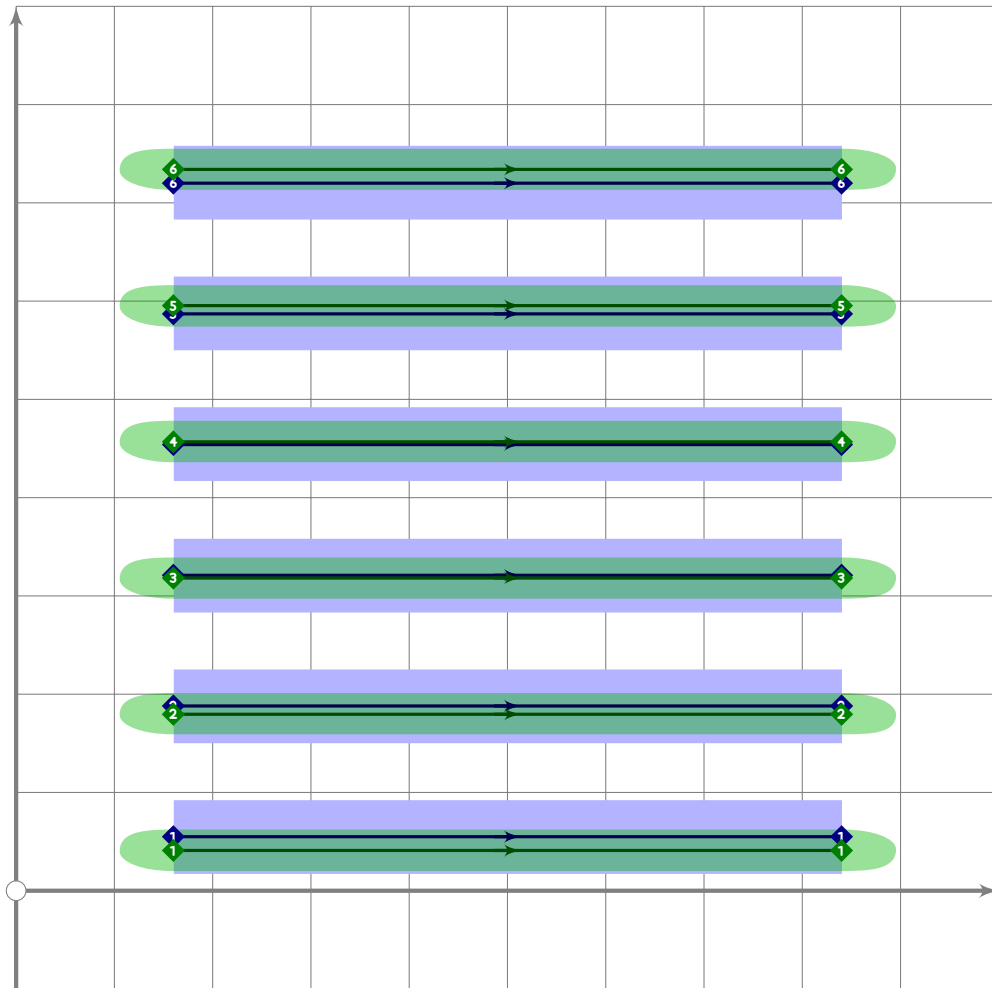

32
33 beginfont
34
35 input latin-intro.mp;
36
37 % AUTODEPS
38 input iching.mp;
39
40 

---


41
```

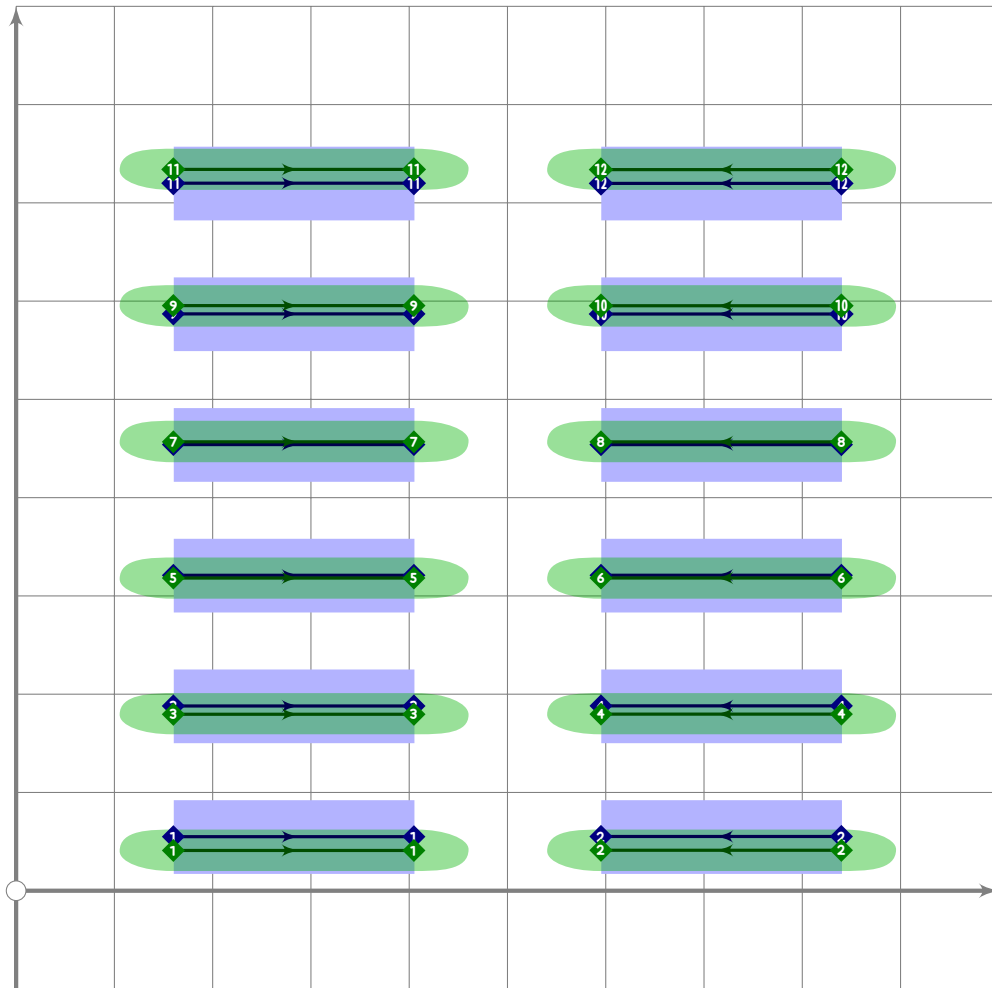
I Ching

```
42 % I CHING
43
44 vardef make_hexagram(expr i,la,lb,lc,ld,le,lf) =
45   string hexname;
46   hexname:=if i<10: "iching0" else: "iching" fi & decimal i;
47   begint Suglyph(hexname,i*191);
48     tsu_curve.iching.line(1,6,la);
49     tsu_curve.iching.line(2,6,lb);
50     tsu_curve.iching.line(3,6,lc);
51     tsu_curve.iching.line(4,6,ld);
52     tsu_curve.iching.line(5,6,le);
53     tsu_curve.iching.line(6,6,lf);
54   tsu_render;
55   endtsuglyph;
56 enddef;
```

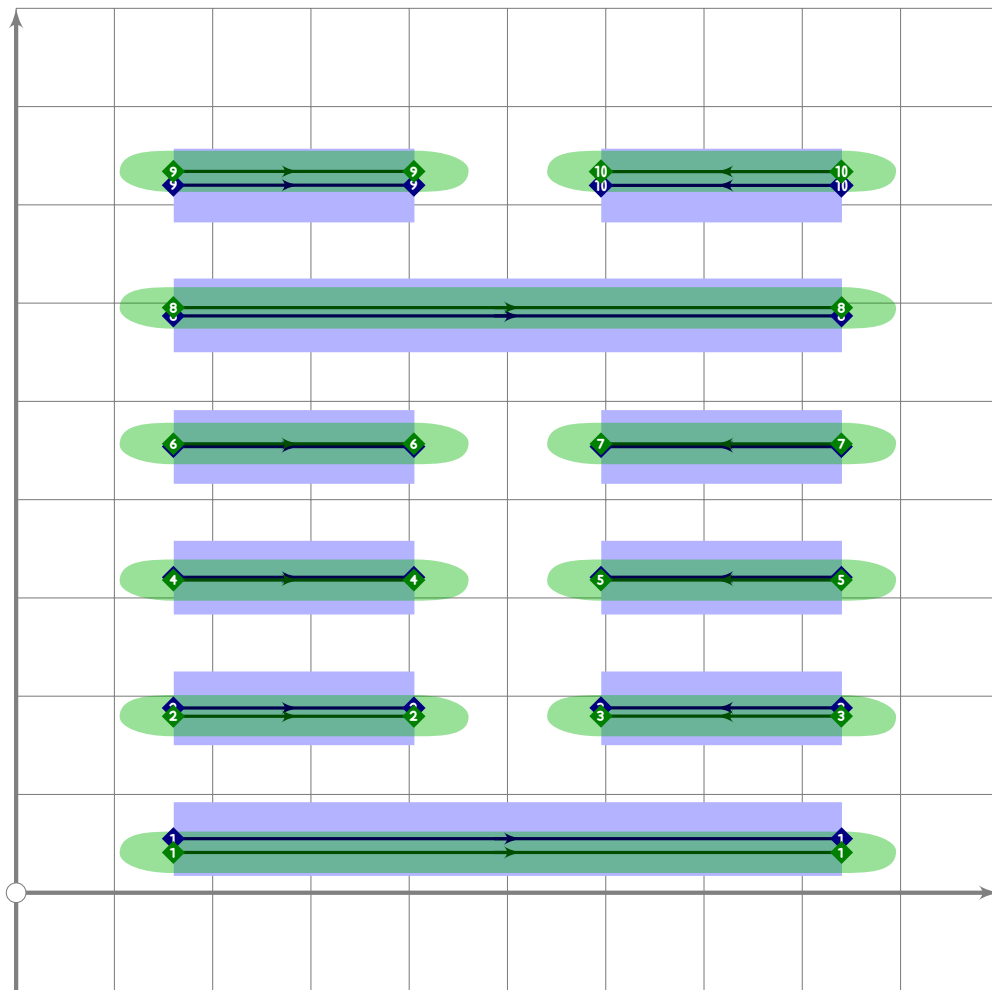


57

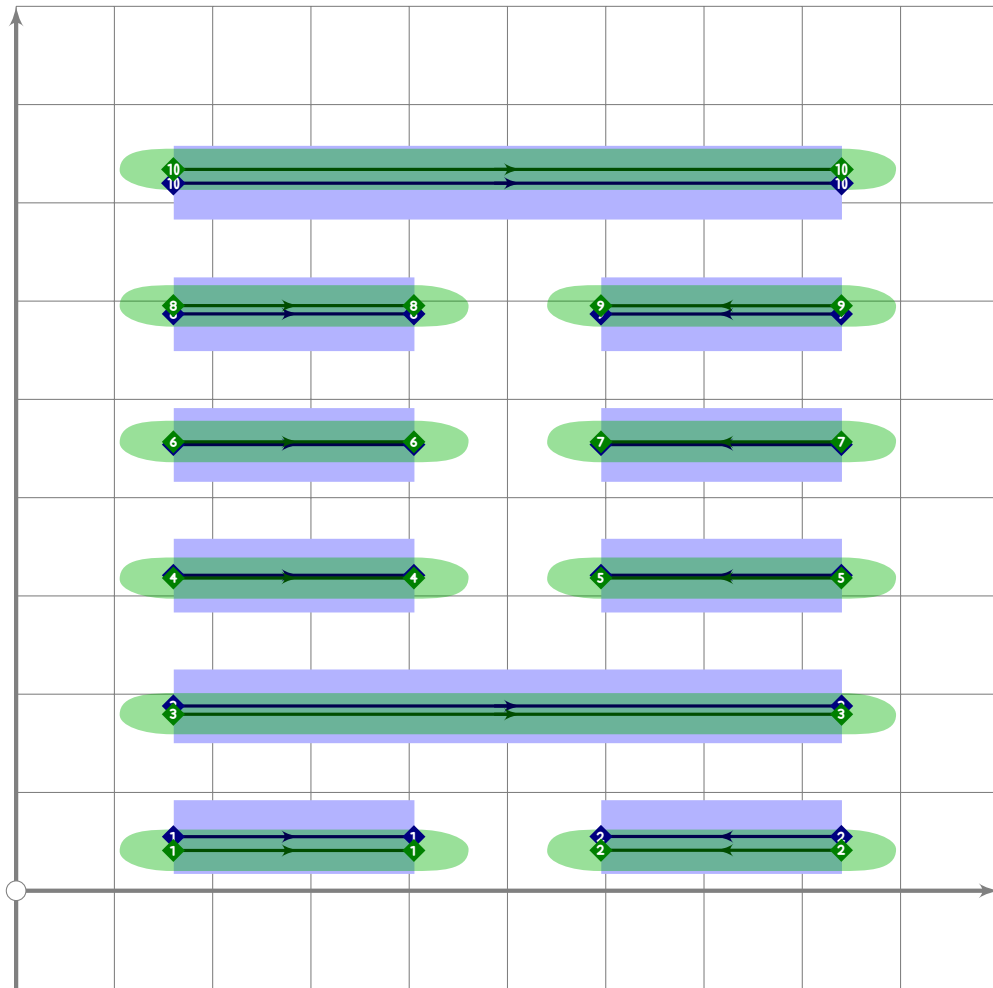
58 `make_hexagram(1, 1,1,1,1,1);`



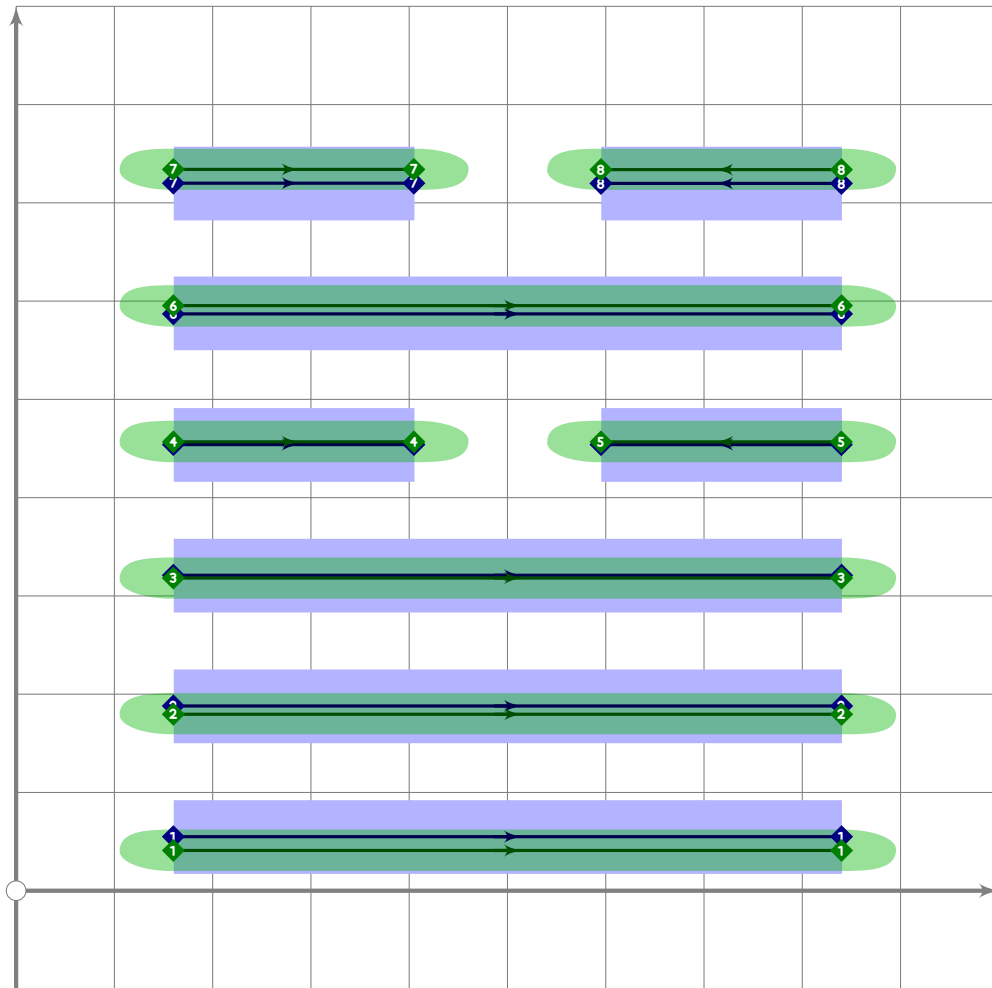
59 `make_hexagram(2, 0,0,0,0,0,0);`



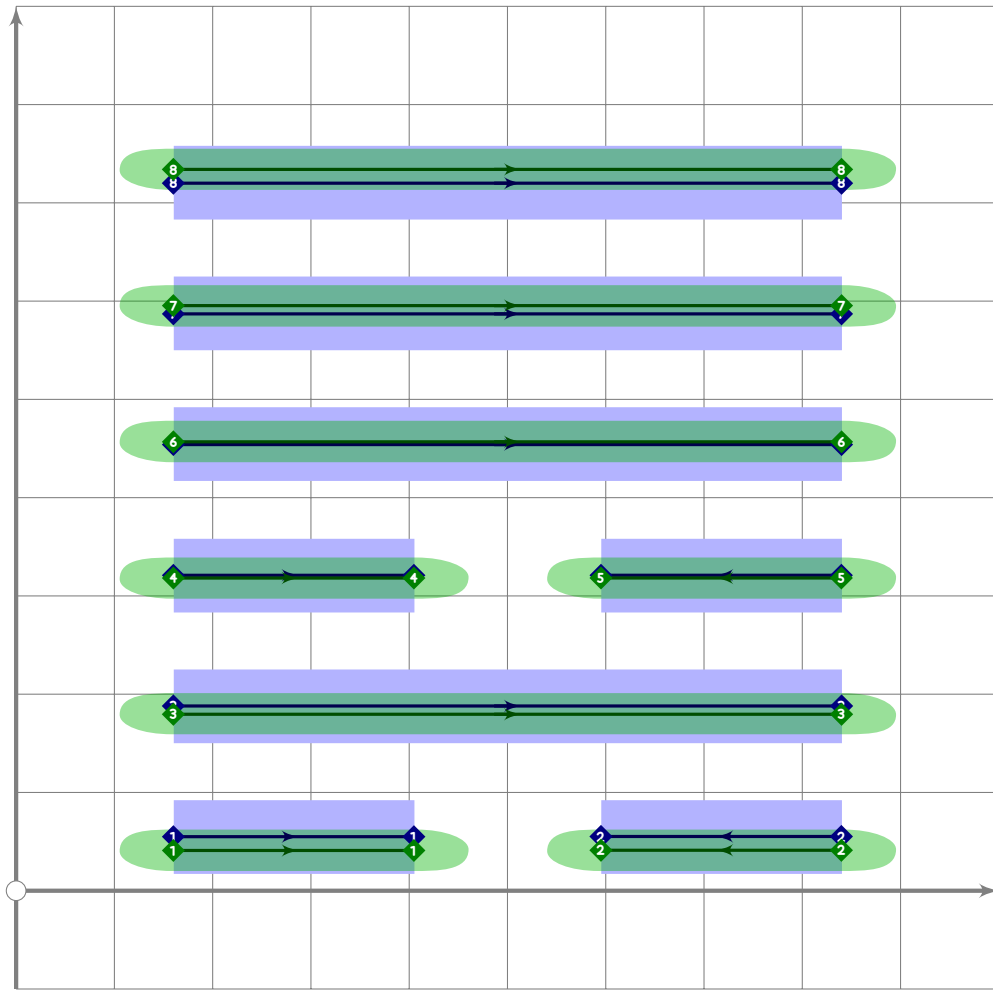
60 `make_hexagram(3, 1,0,0,0,1,0);`



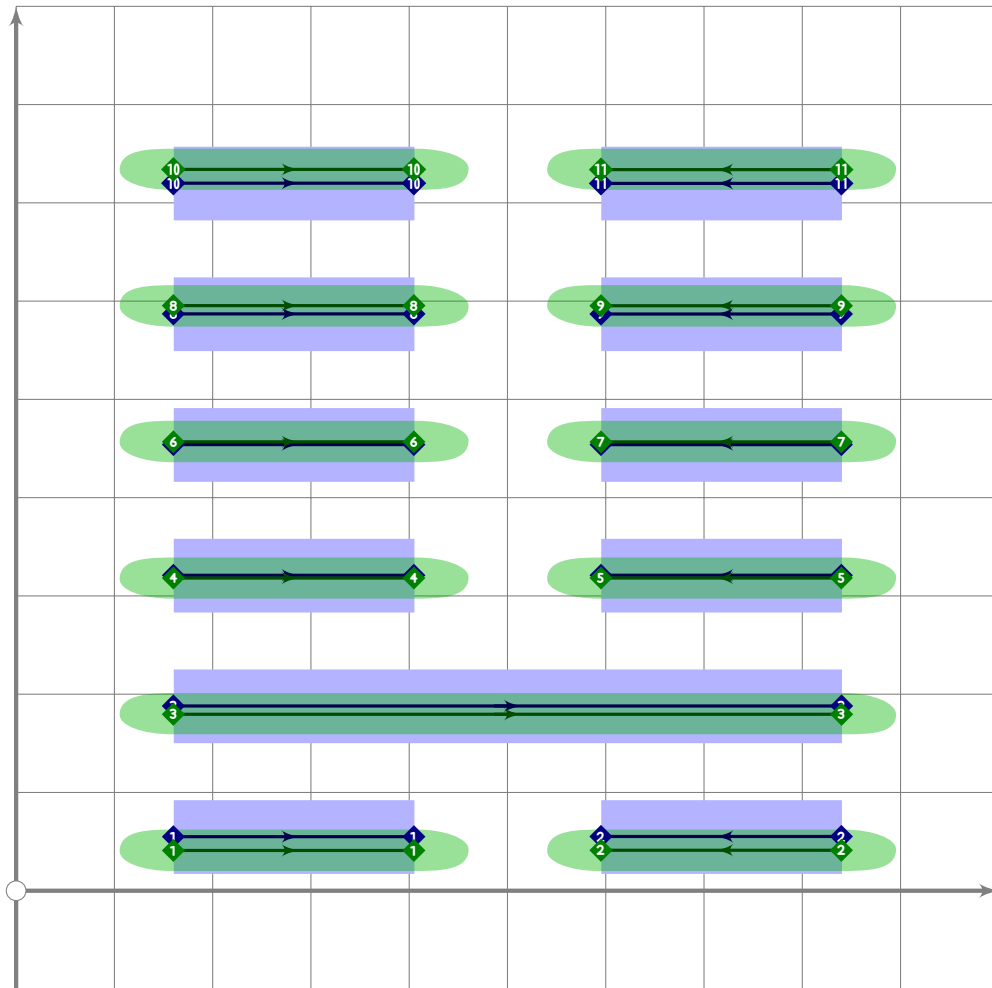
61 `make_hexagram(4, 0,1,0,0,0,1);`



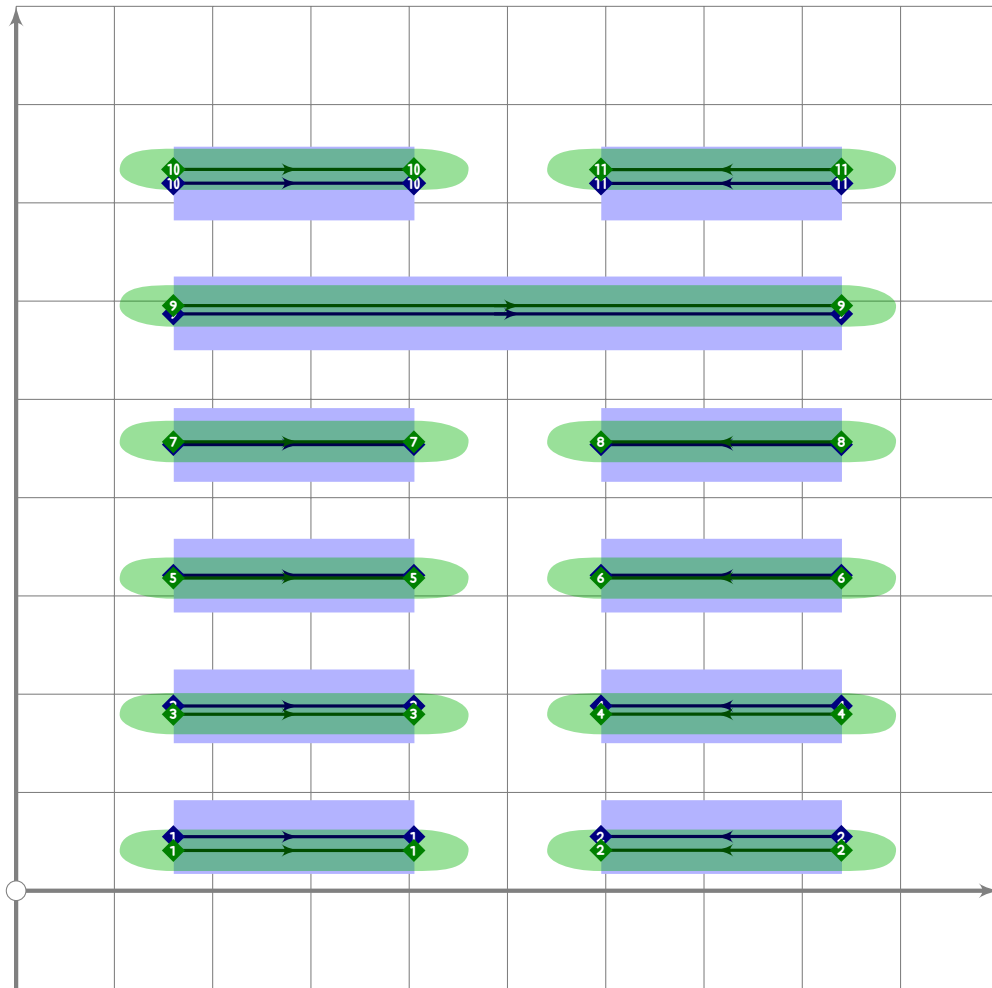
62 `make_hexagram(5, 1,1,1,0,1,0);`



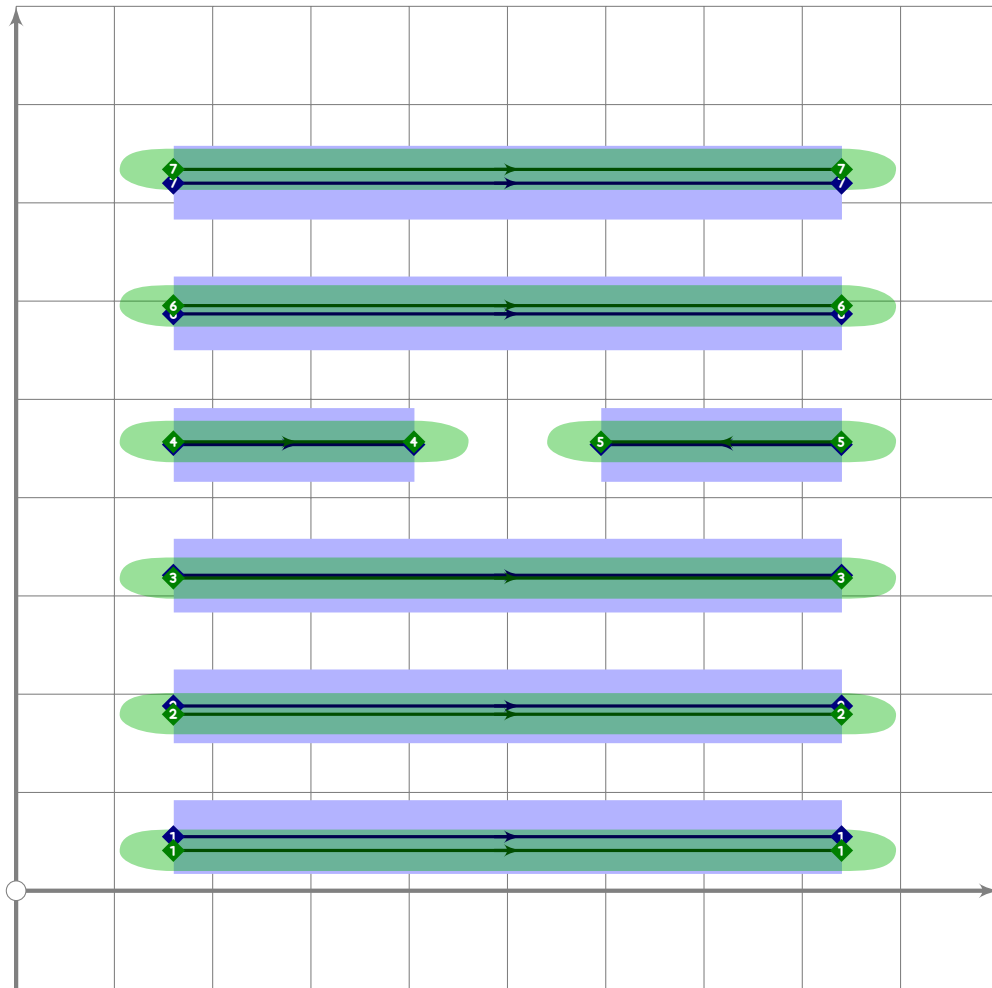
63 `make_hexagram(6, 0,1,0,1,1,1);`



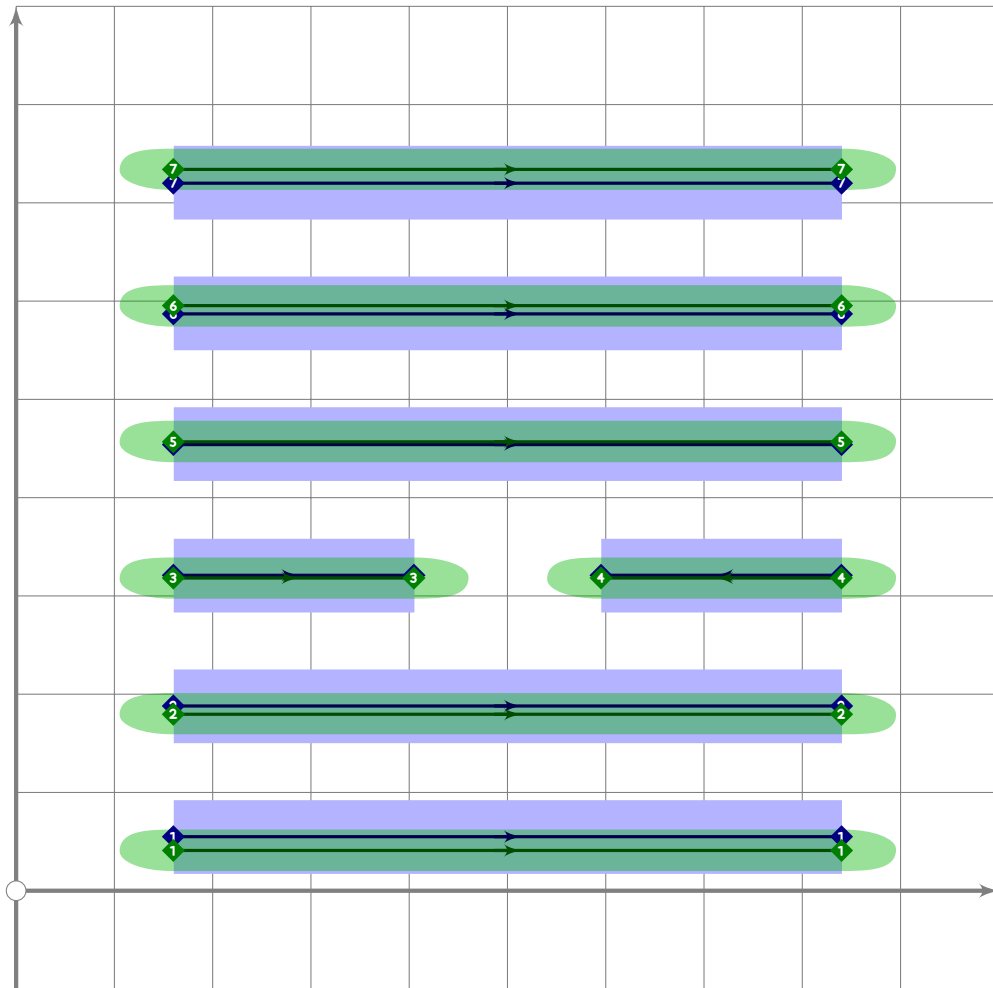
64 `make_hexagram(7, 0,1,0,0,0,0);`



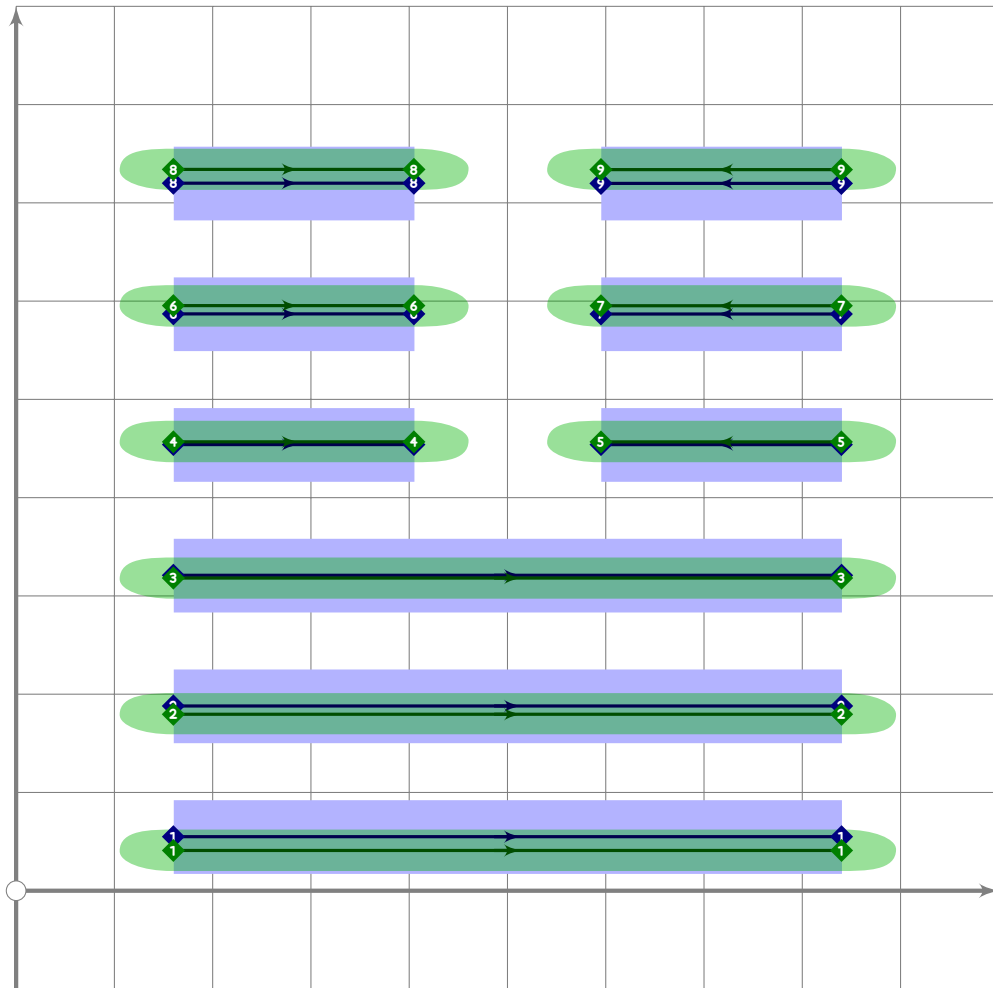
65 `make_hexagram(8, 0,0,0,0,1,0);`



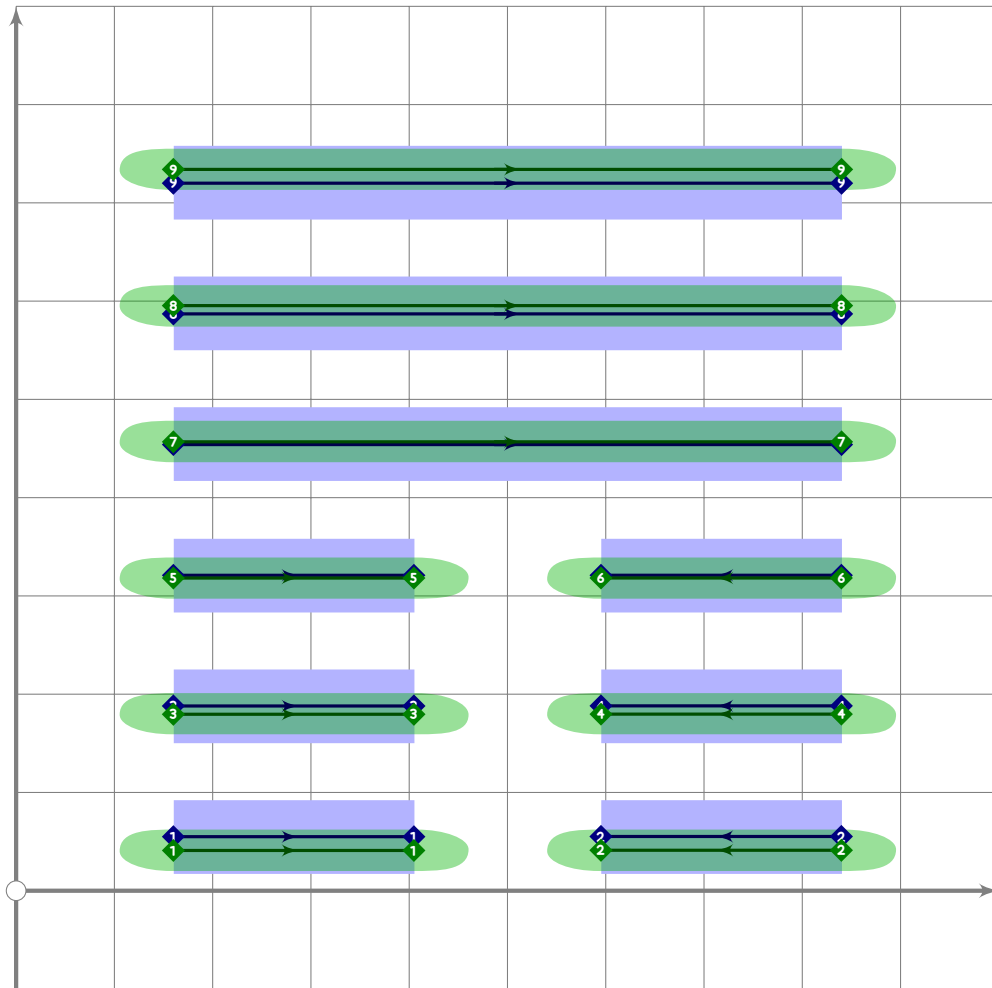
66 `make_hexagram(9, 1,1,1,0,1,1);`



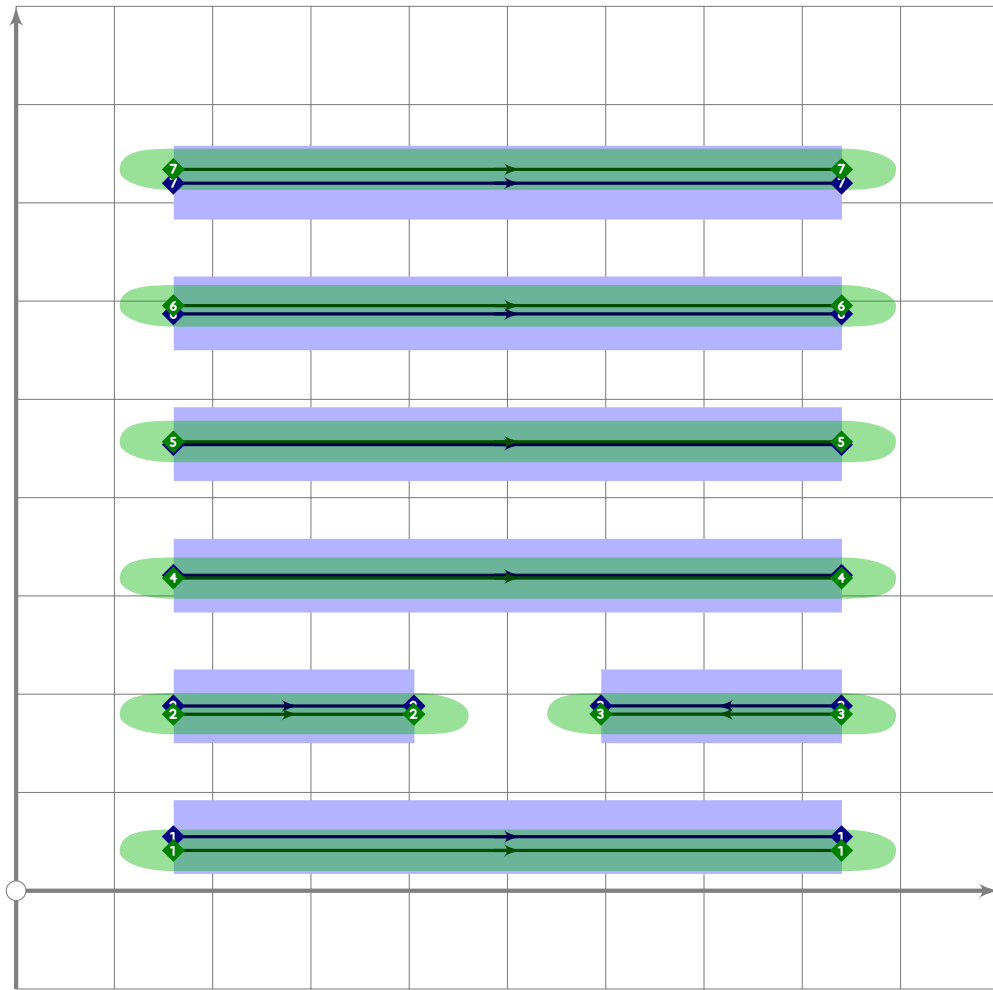
67 `make_hexagram(10,1,1,0,1,1,1);`



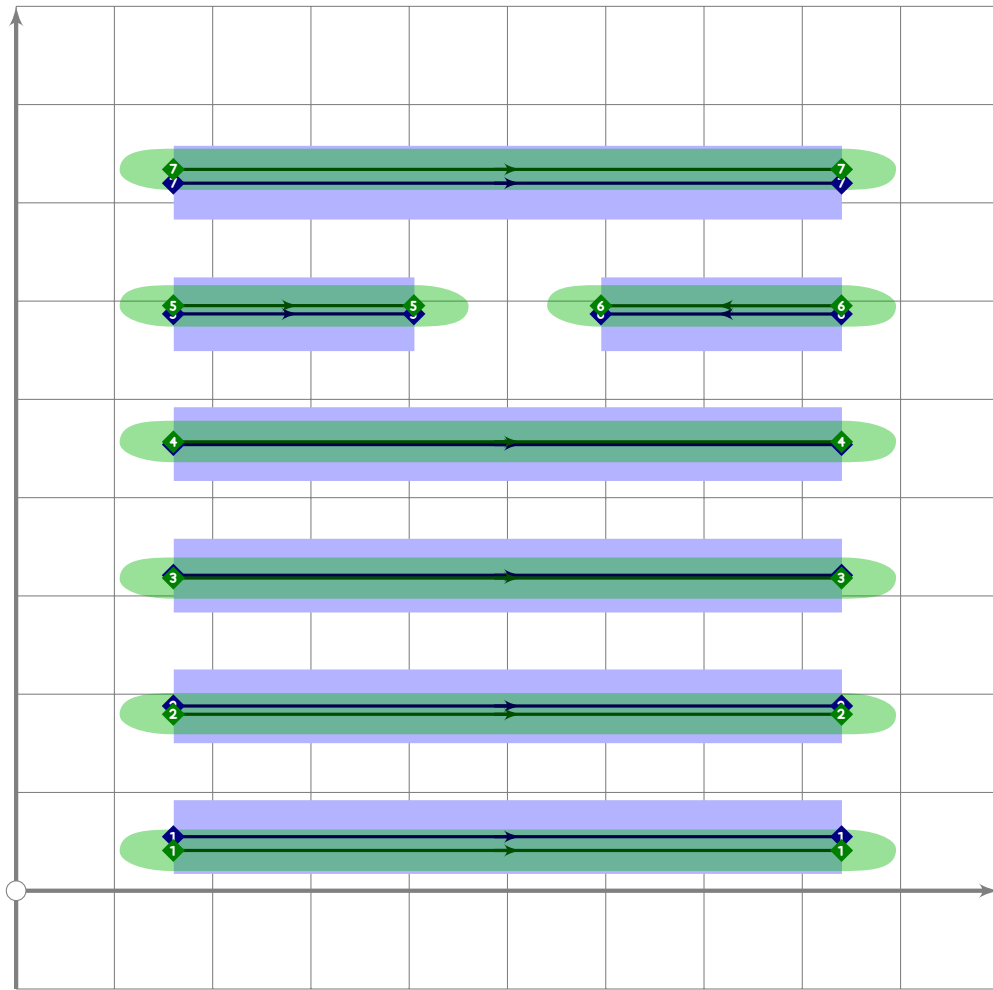
68 `make_hexagram(1,1,1,1,0,0,0);`



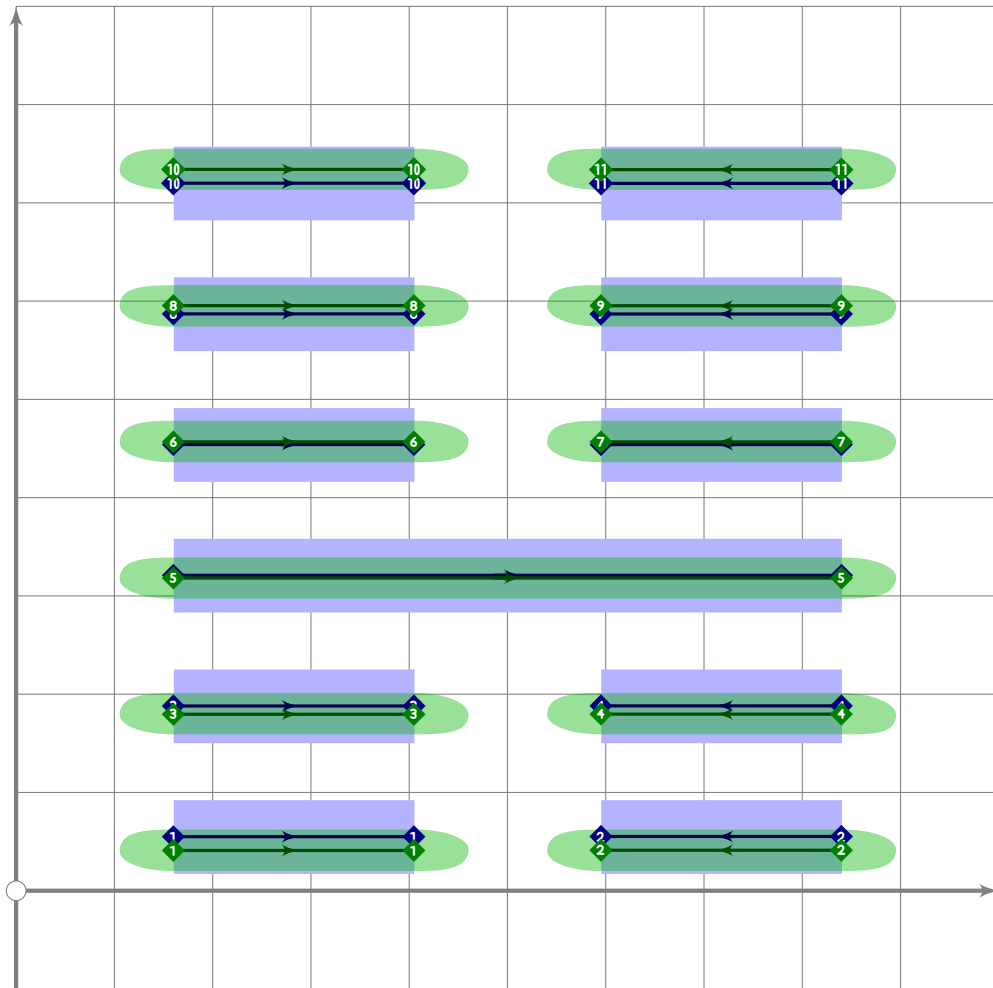
69 `make_hexagram(12,0,0,0,1,1,1);`



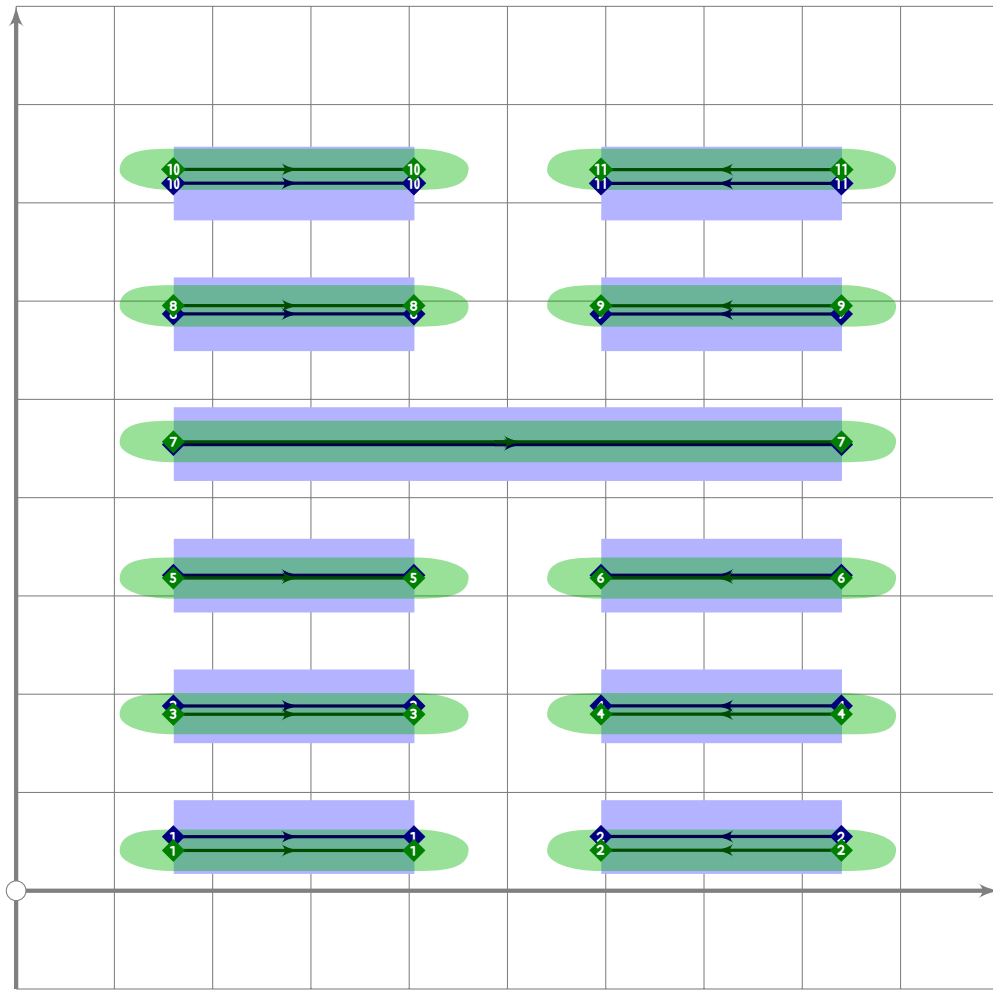
70 `make_hexagram(13,1,0,1,1,1,1);`



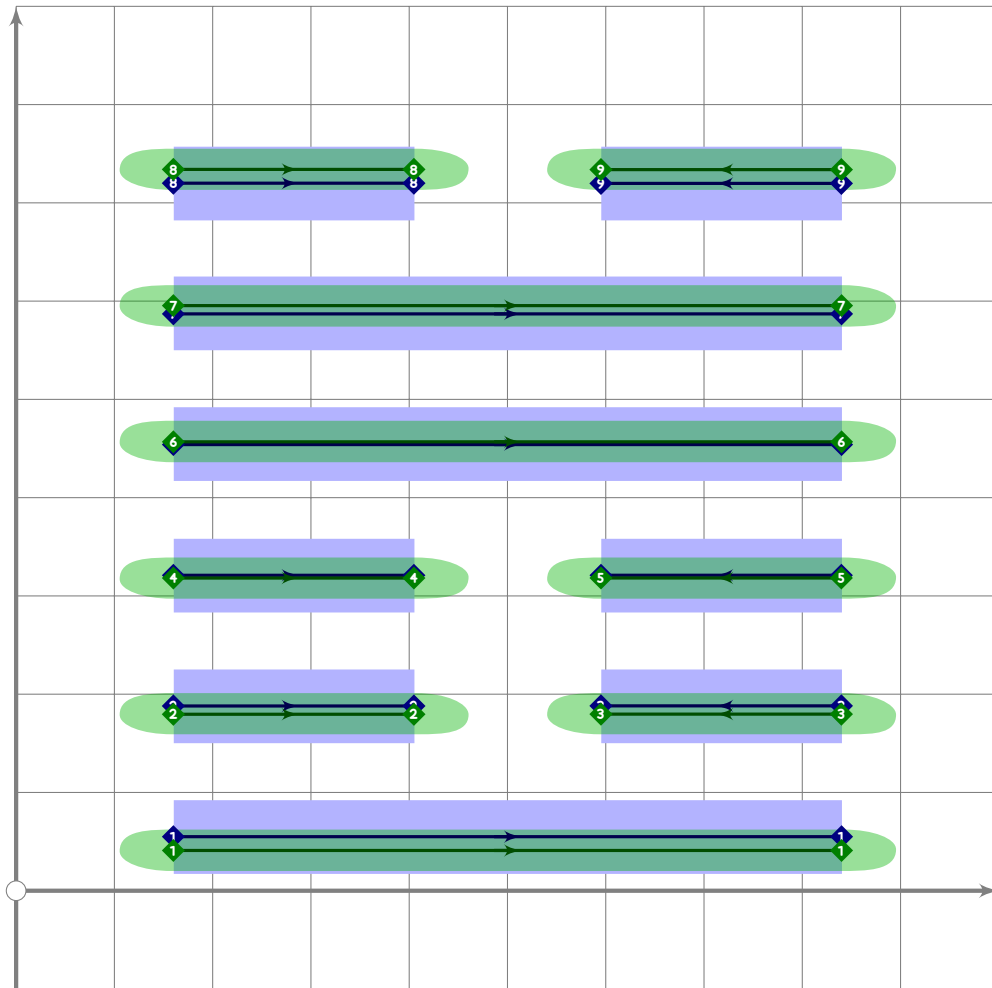
71 `make_hexagram(14,1,1,1,1,0,1);`



72 `make_hexagram(15,0,0,1,0,0,0);`

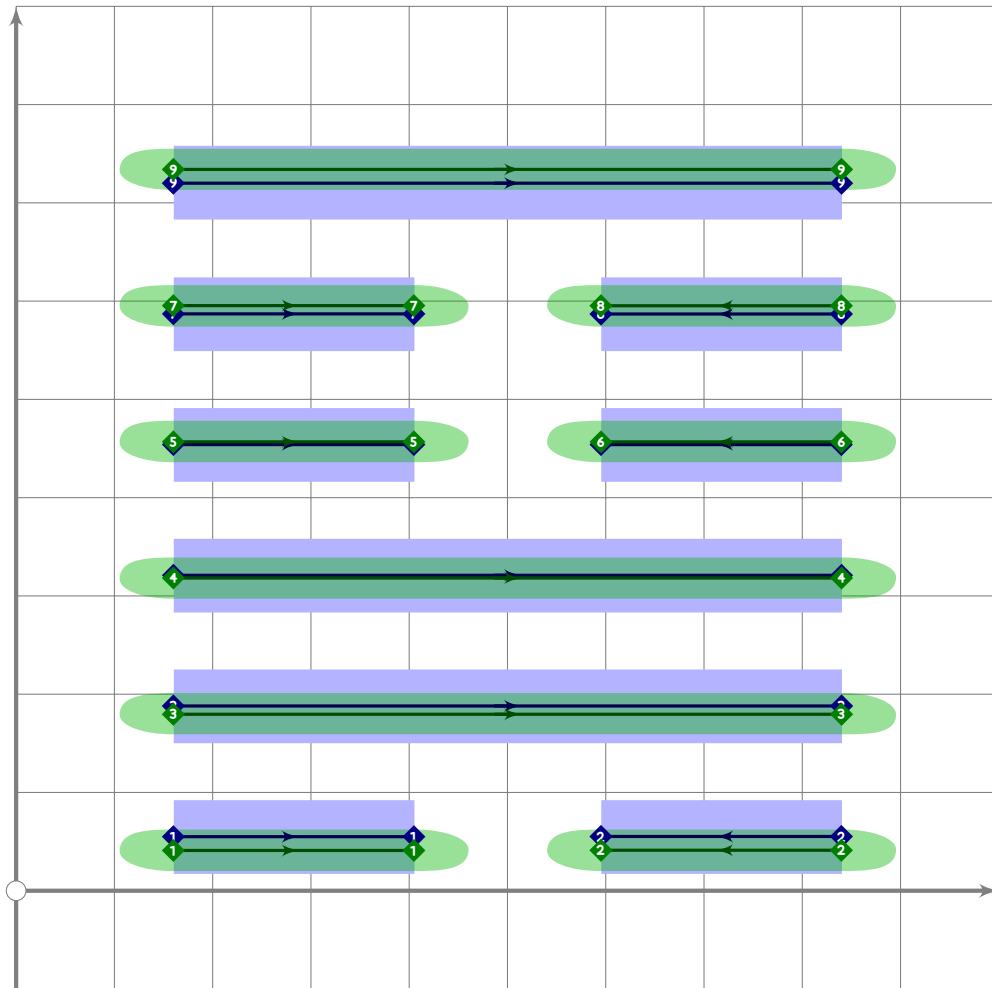


73 `make_hexagram(16,0,0,0,1,0,0);`

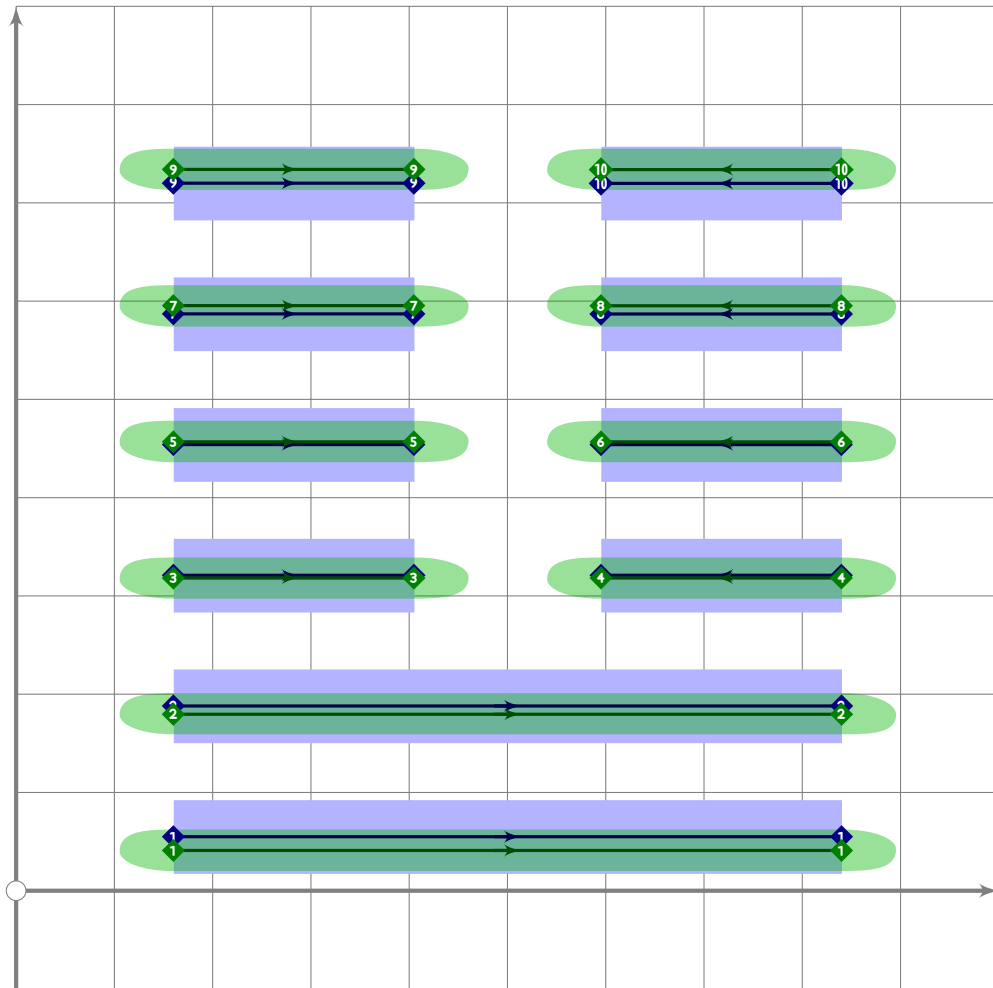


74

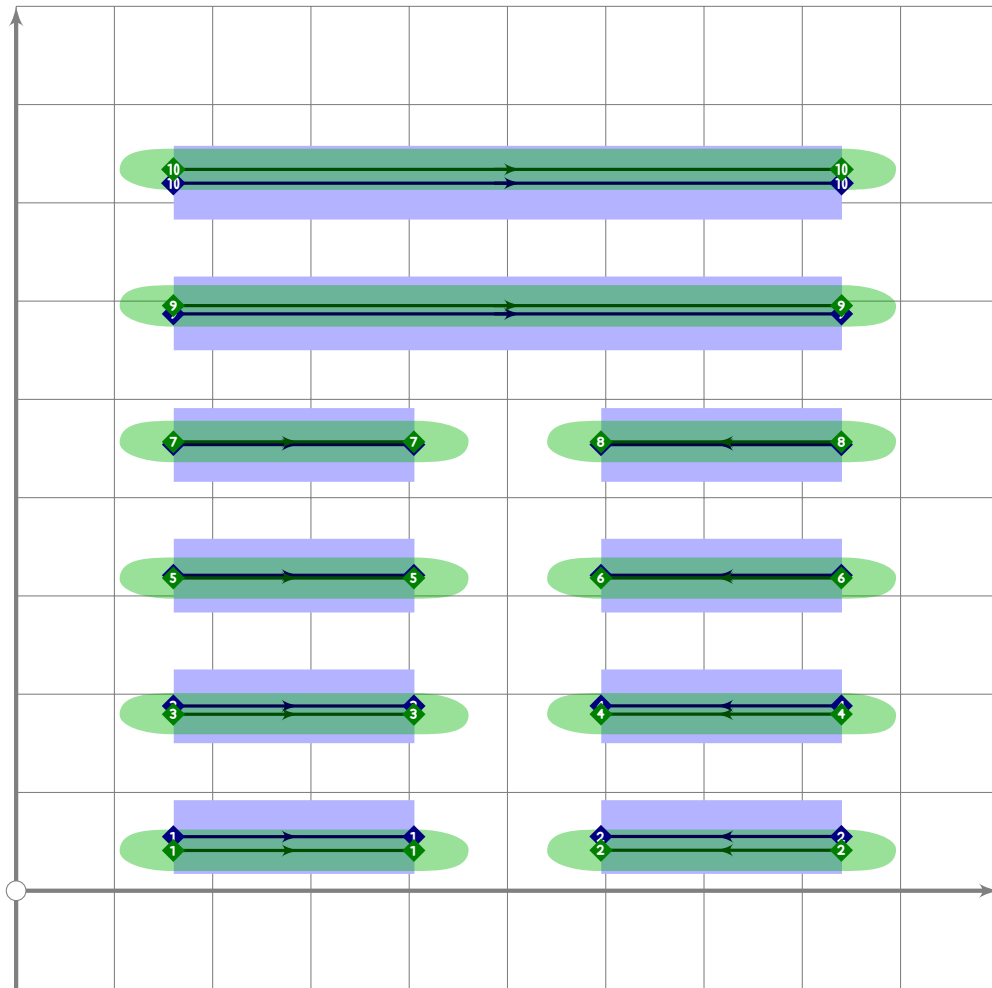
75 `make_hexagram(17,1,0,0,1,1,0);`



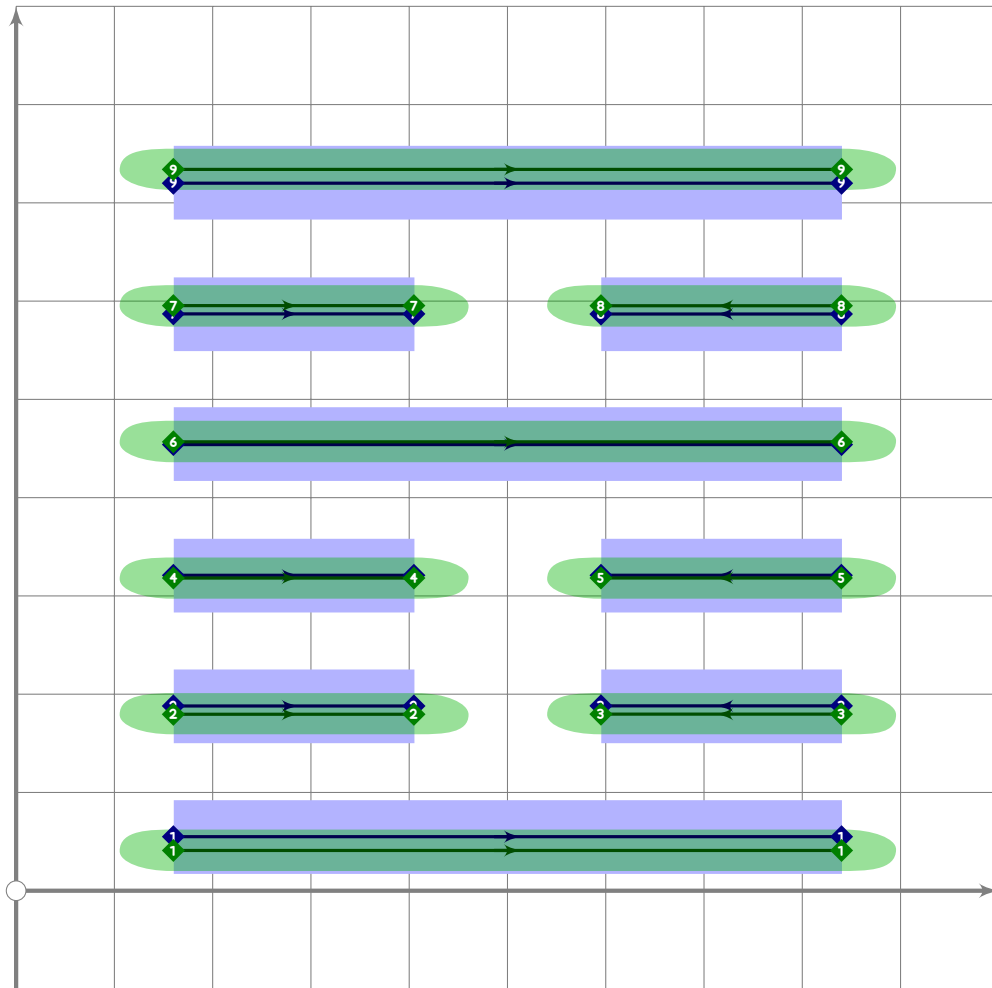
76 `make_hexagram(18,0,1,1,0,0,1);`



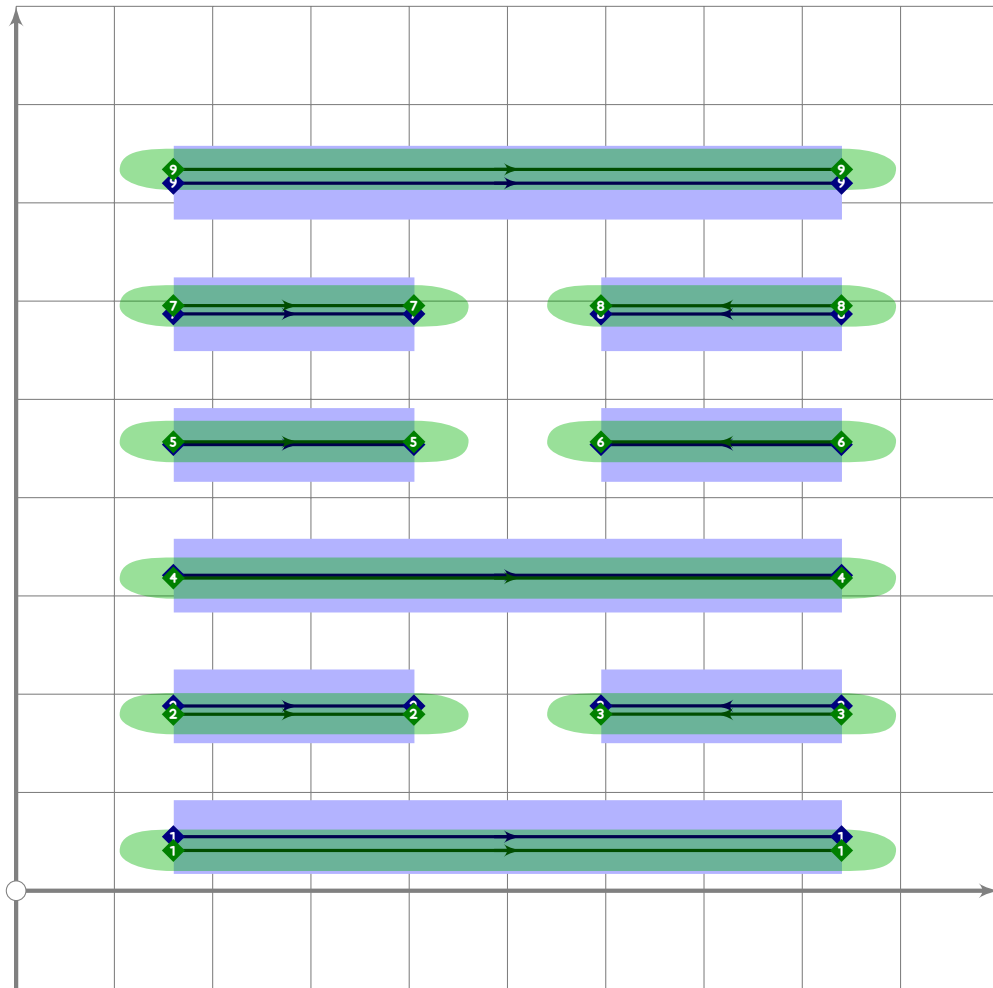
77 `make_hexagram(19,1,1,0,0,0,0);`



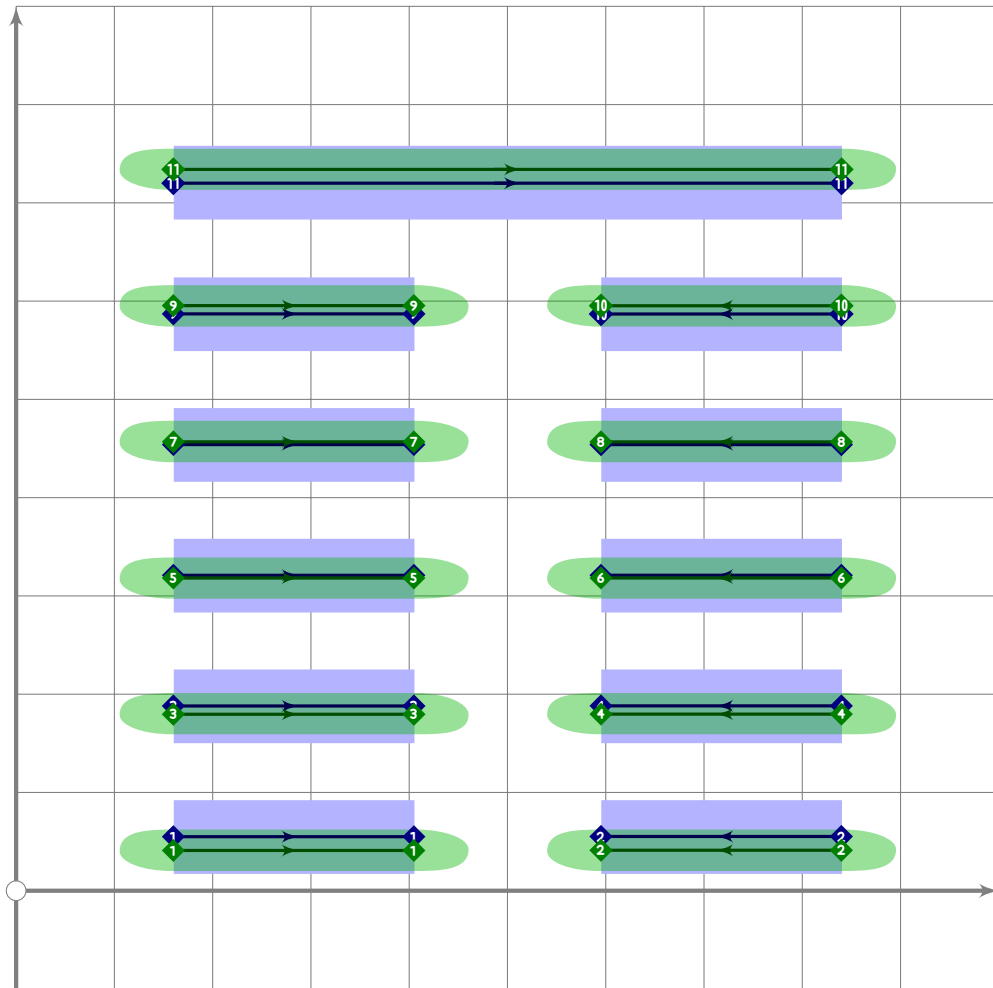
78 `make_hexagram(20,0,0,0,0,1,1);`



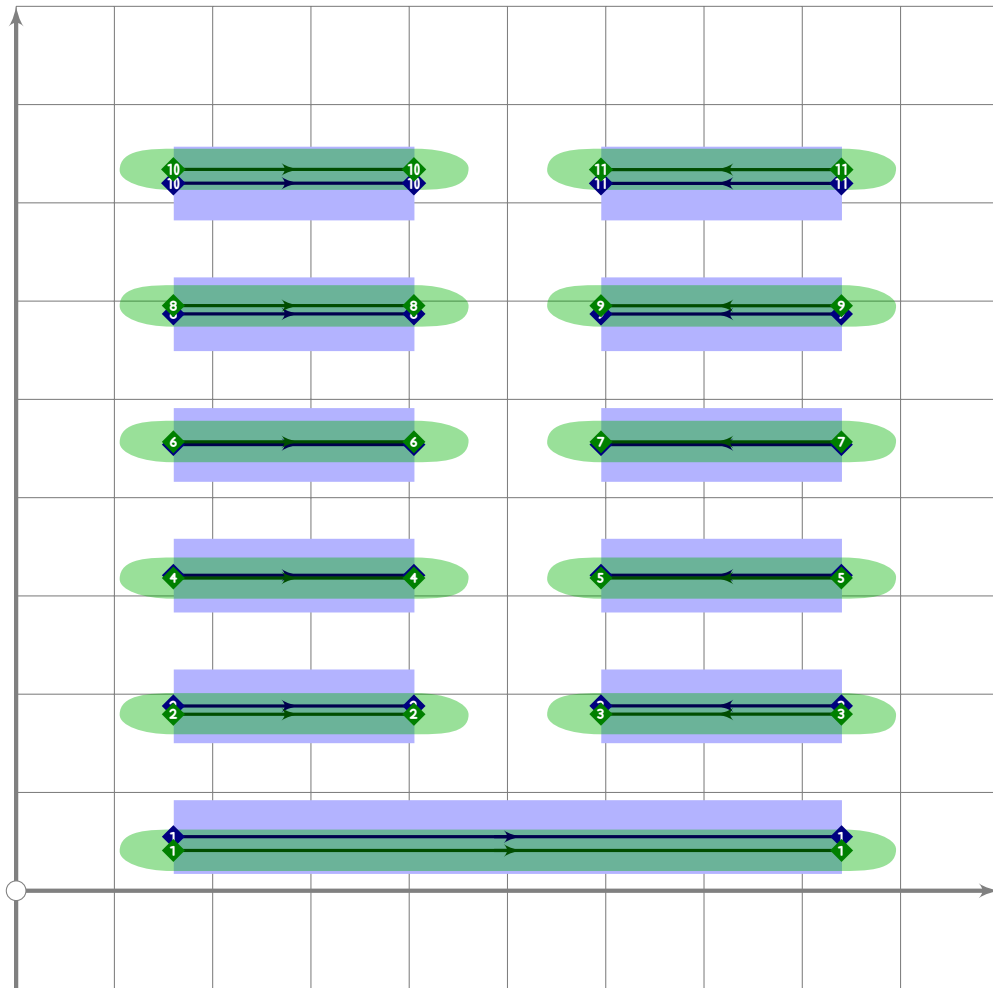
79 `make_hexagram(2,1,1,0,0,1,0,1);`



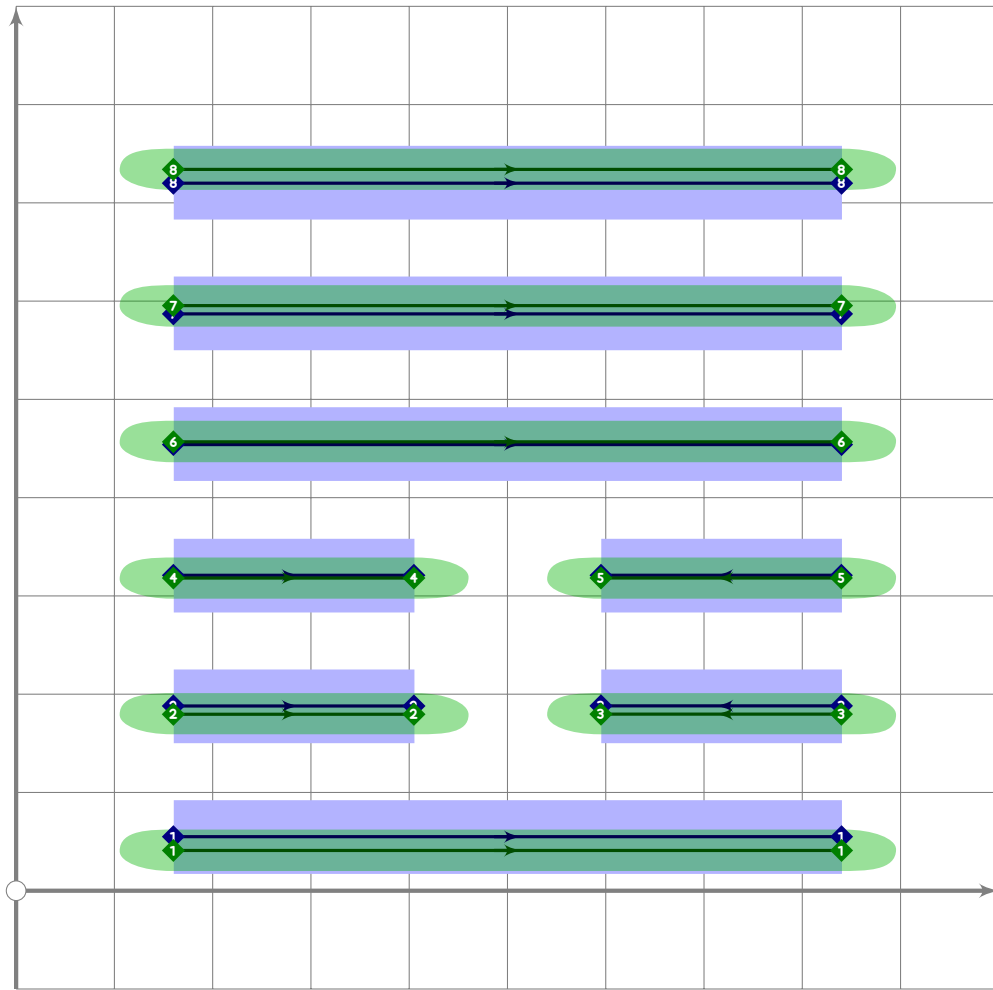
80 `make_hexagram(22,1,0,1,0,0,1);`



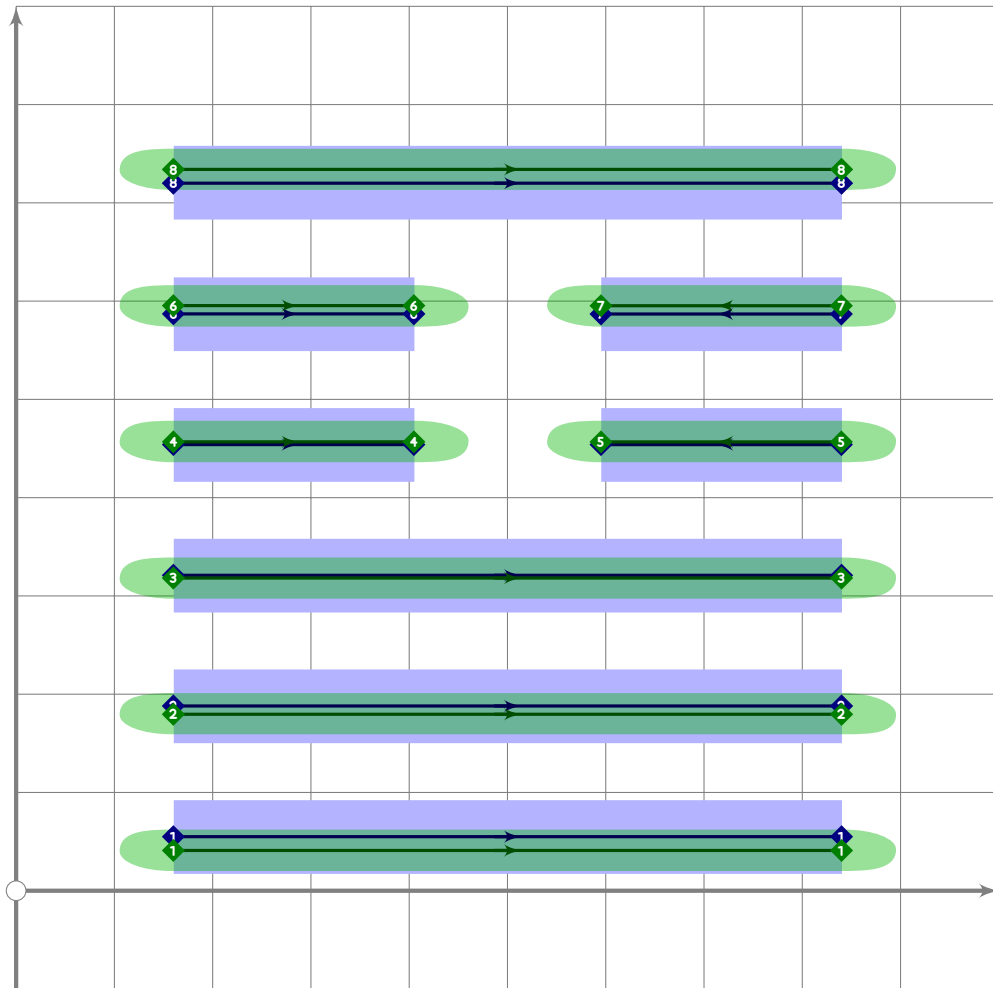
81 `make_hexagram(23,0,0,0,0,0,1);`



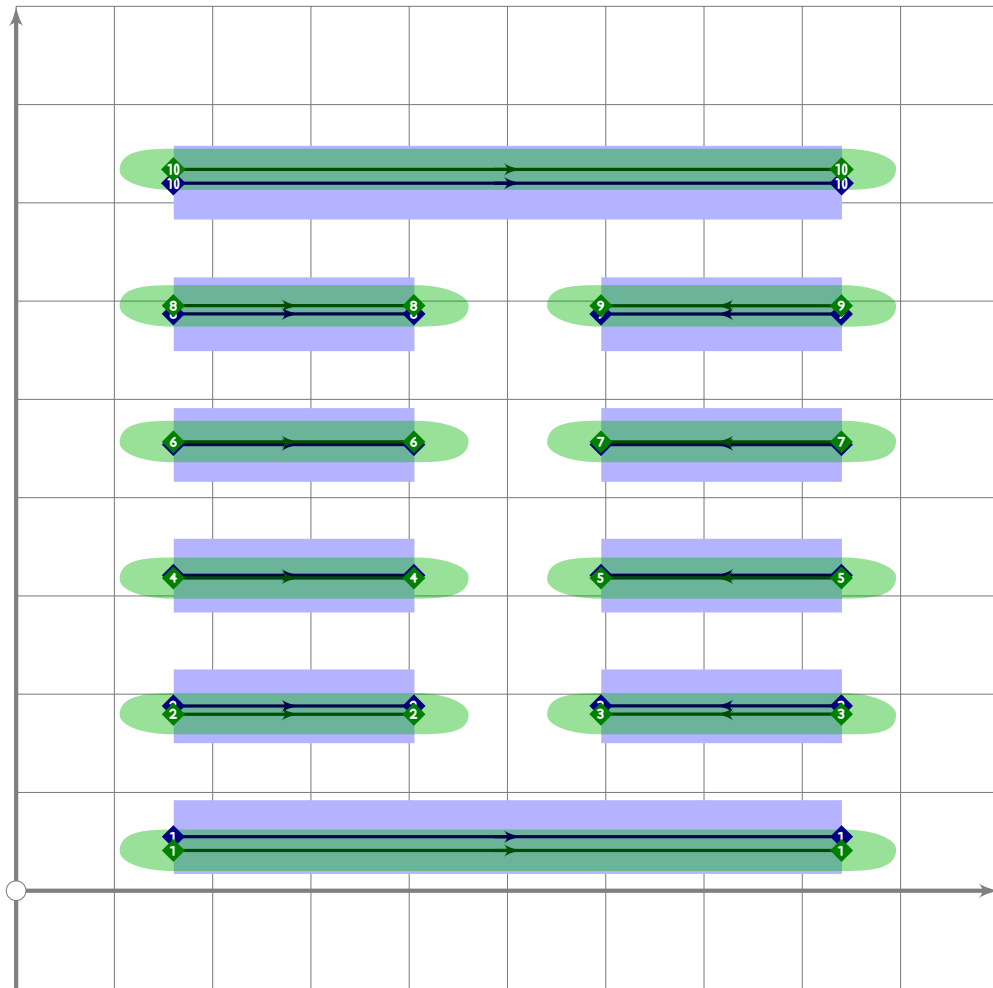
82 `make_hexagram(24,1,0,0,0,0,0);`



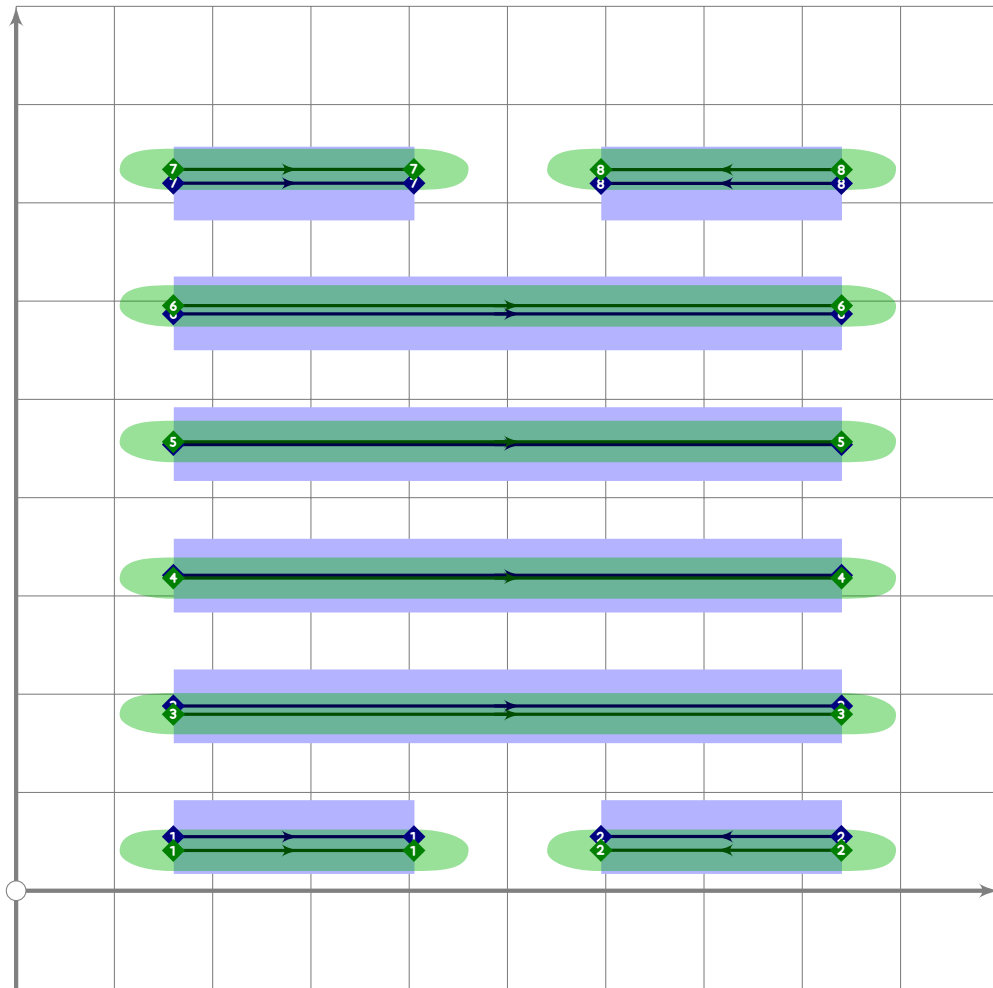
83 `make_hexagram(25,1,0,0,1,1,1);`



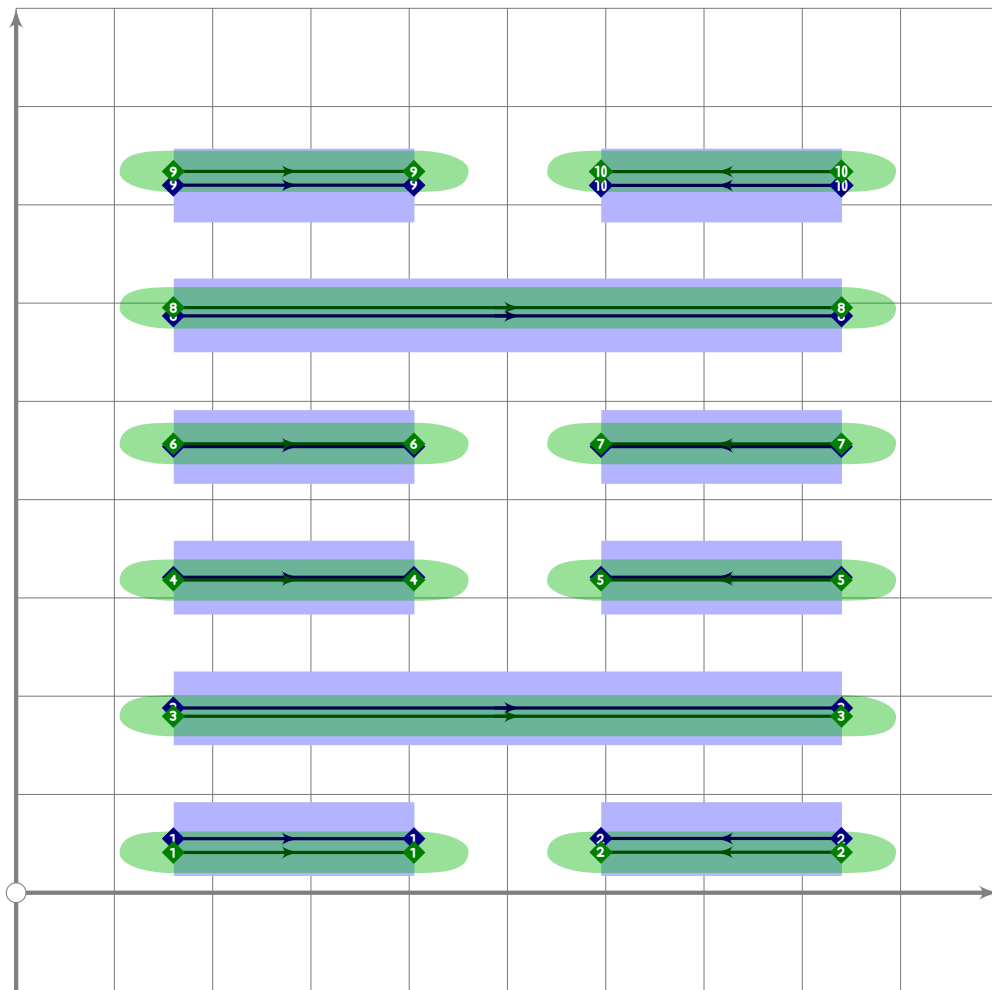
84 `make_hexagram(26,1,1,1,0,0,1);`



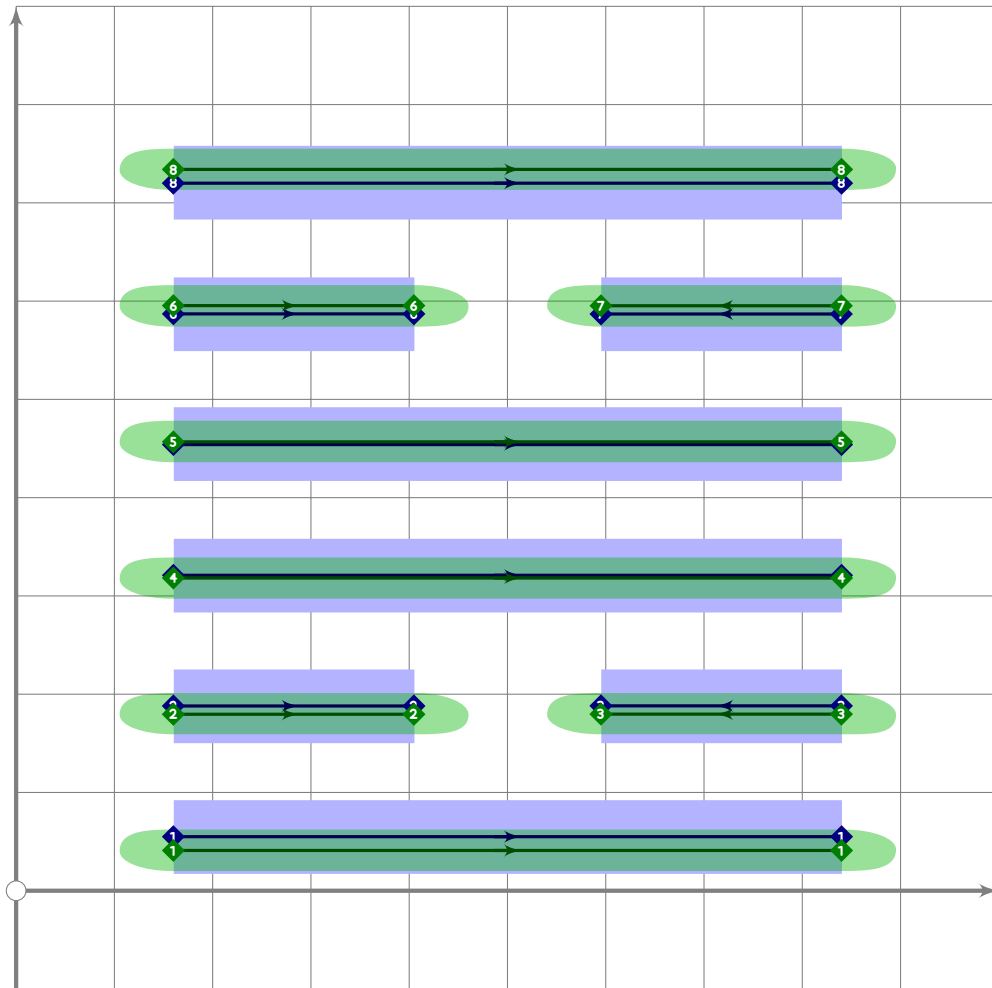
85 `make_hexagram(27,1,0,0,0,0,1);`



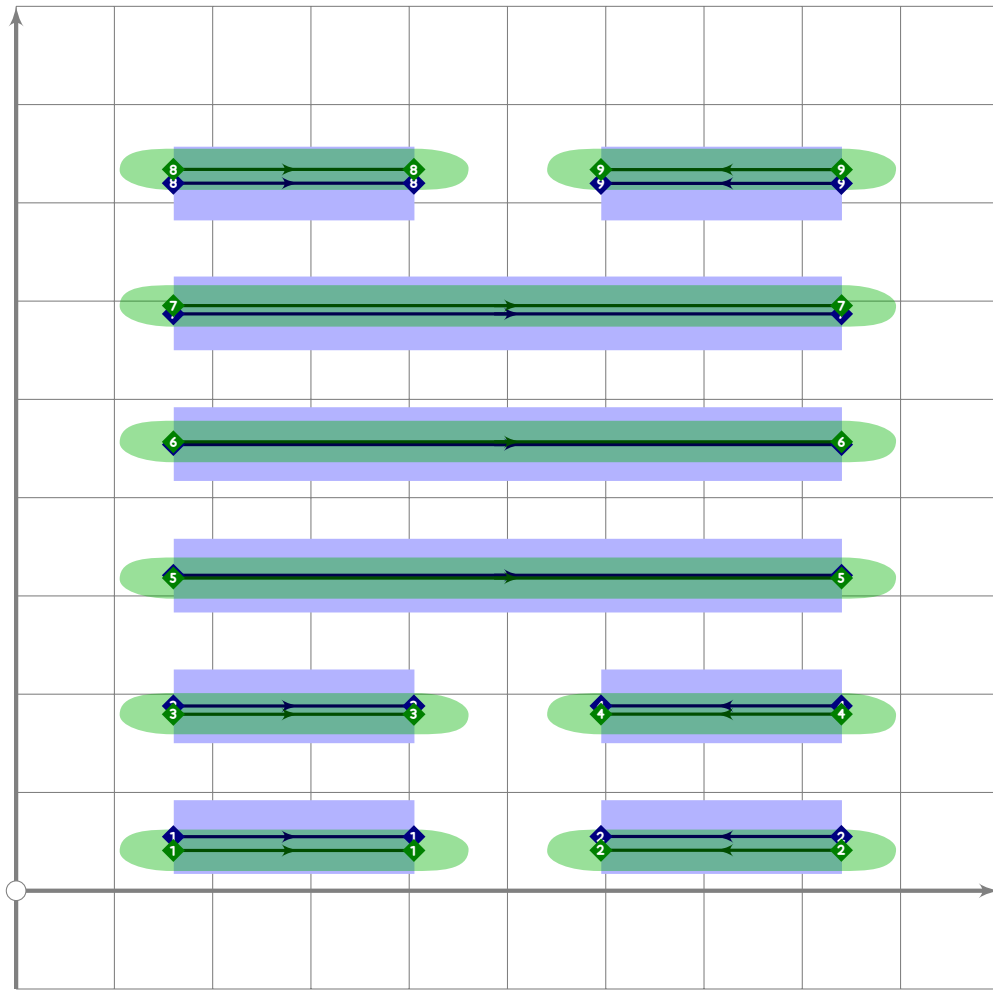
86 `make_hexagram(28,0,1,1,1,0);`



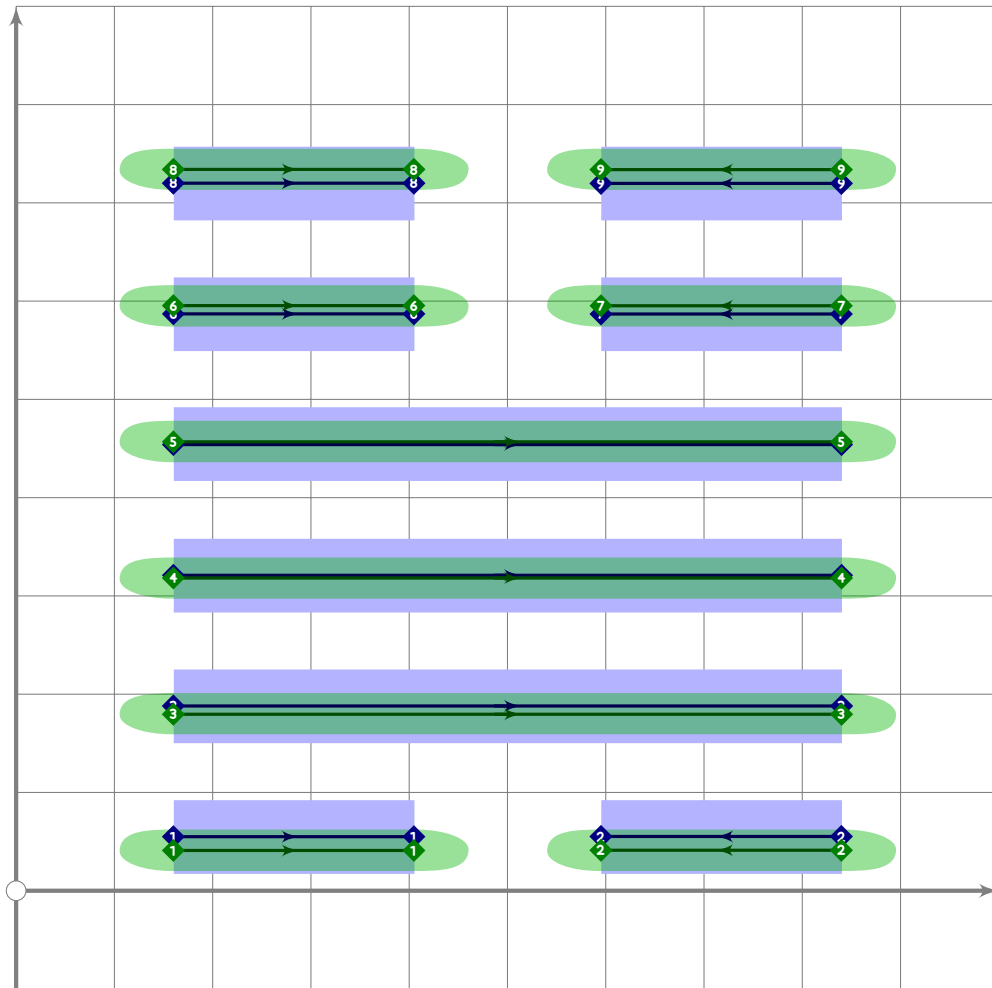
87 `make_hexagram(29,0,1,0,0,1,0);`



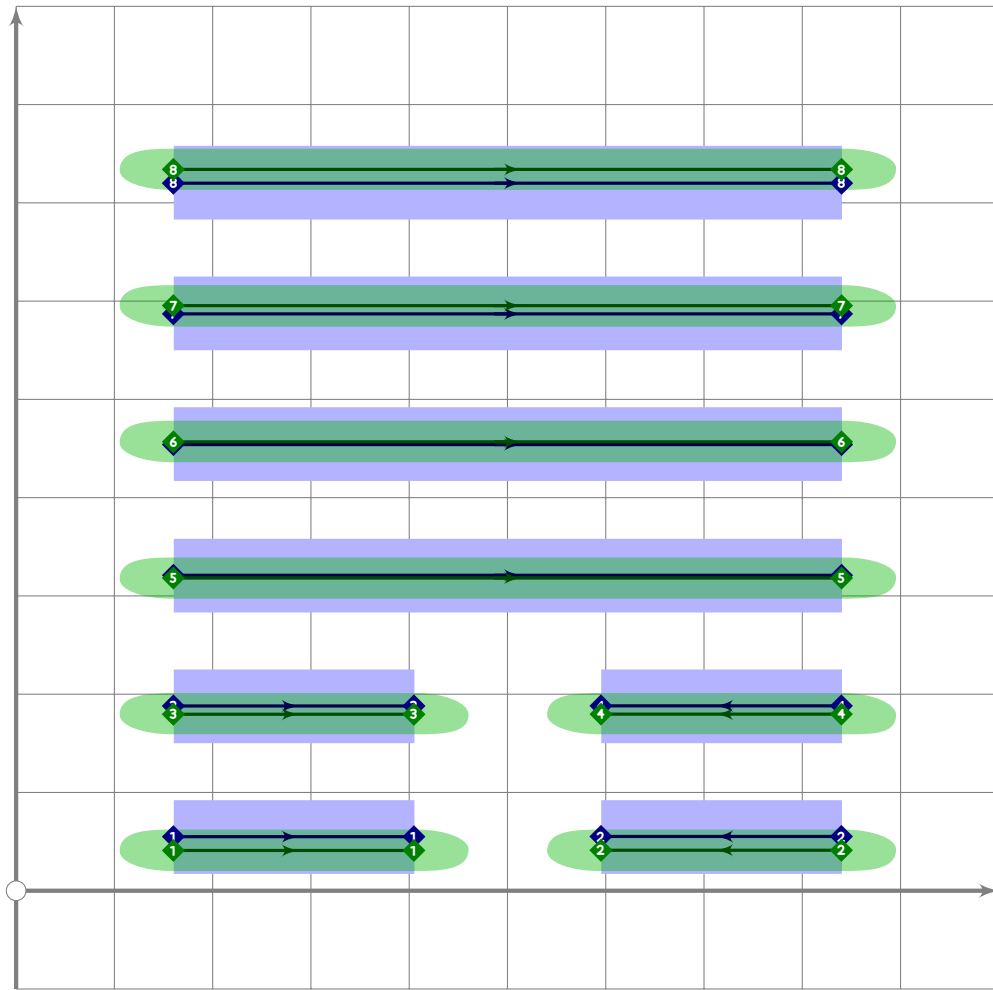
88 `make_hexagram(30,1,0,1,1,0,1);`



89 `make_hexagram(31,0,0,1,1,0);`

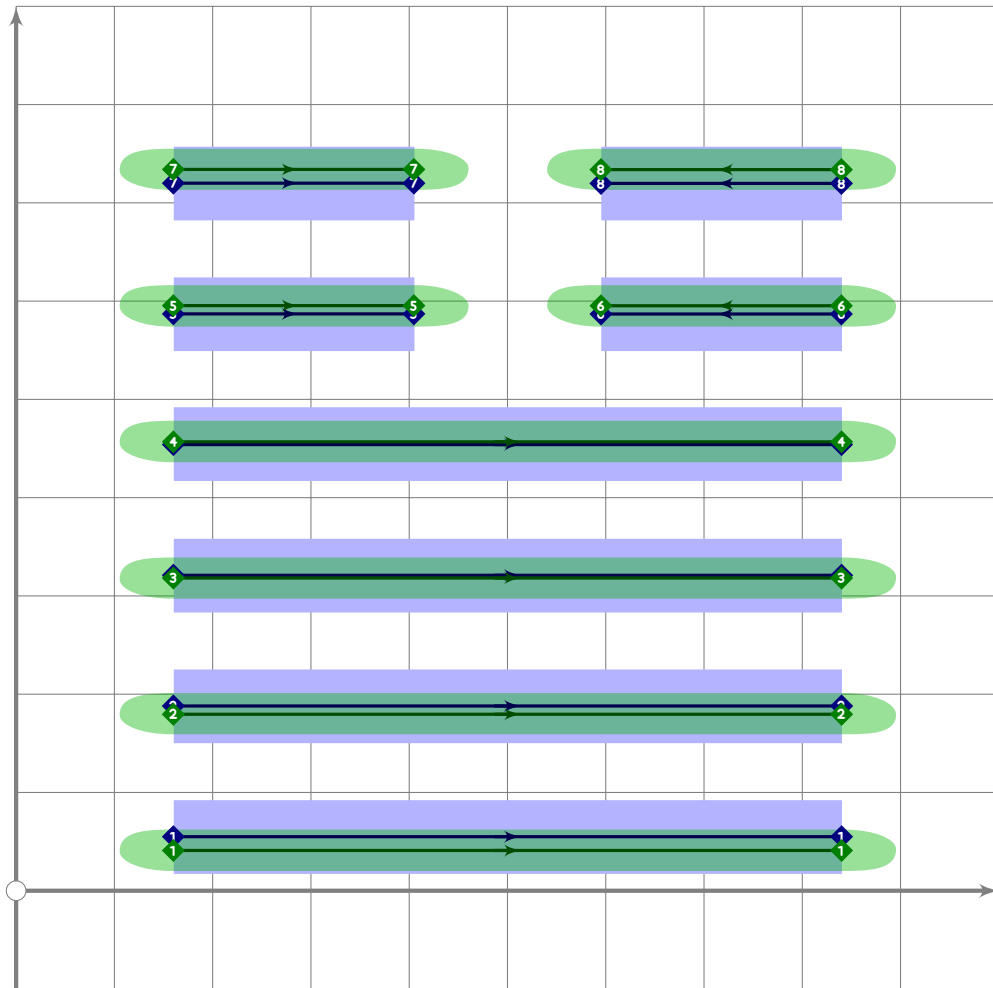


90 `make_hexagram(32,0,1,1,1,0,0);`

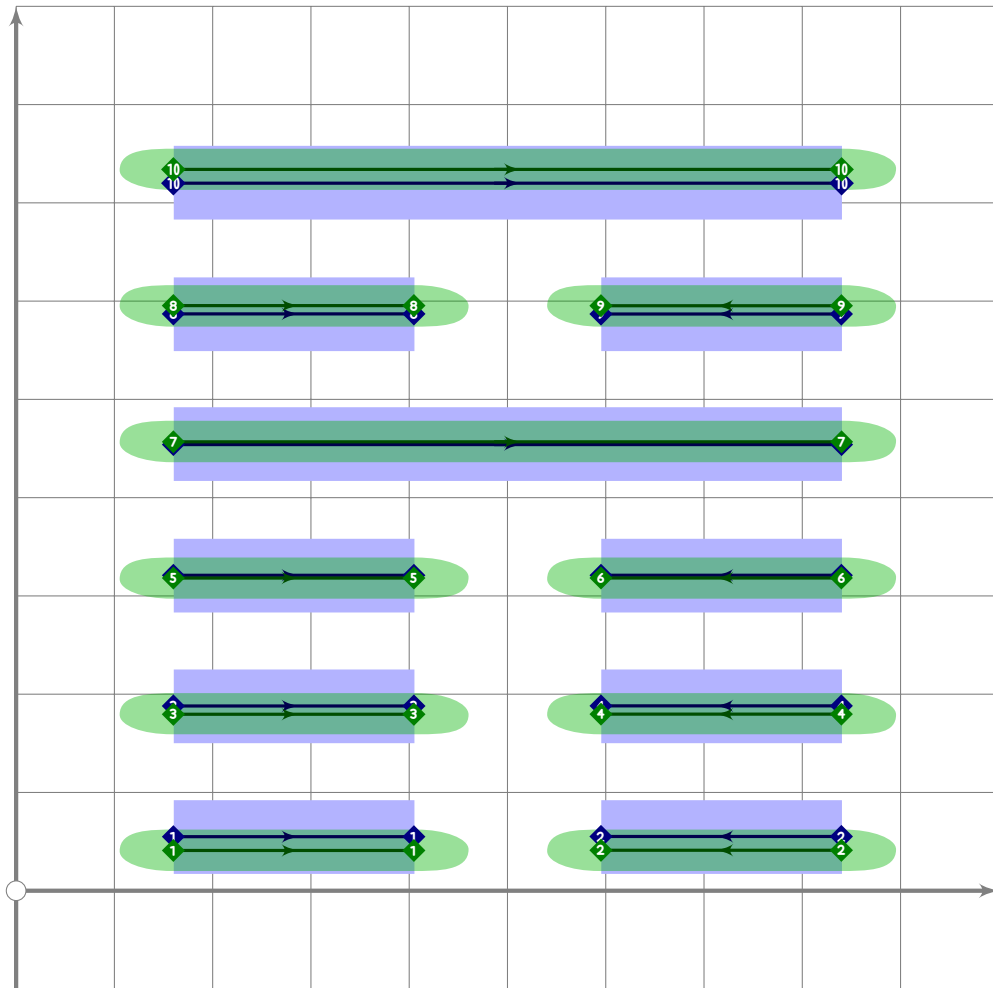


91

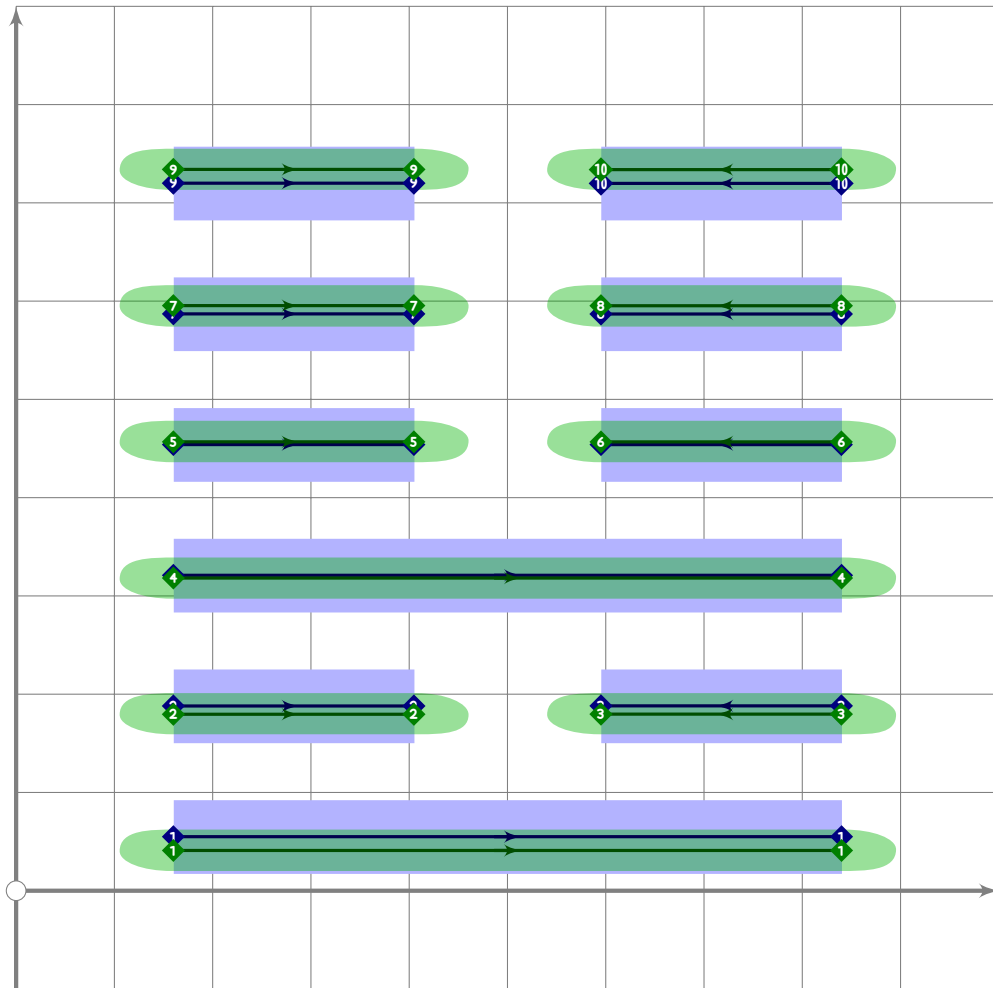
92 `make_hexagram(33,0,0,1,1,1);`



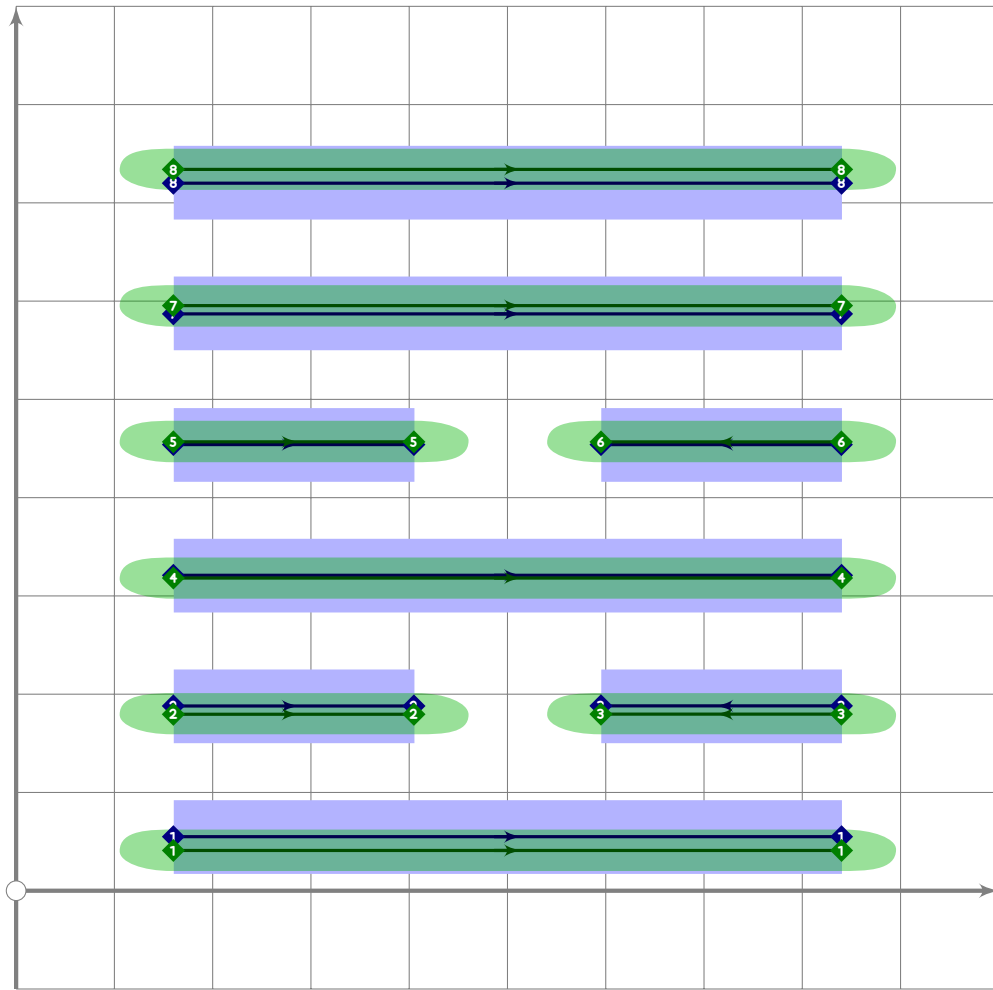
93 `make_hexagram(34,1,1,1,0,0);`



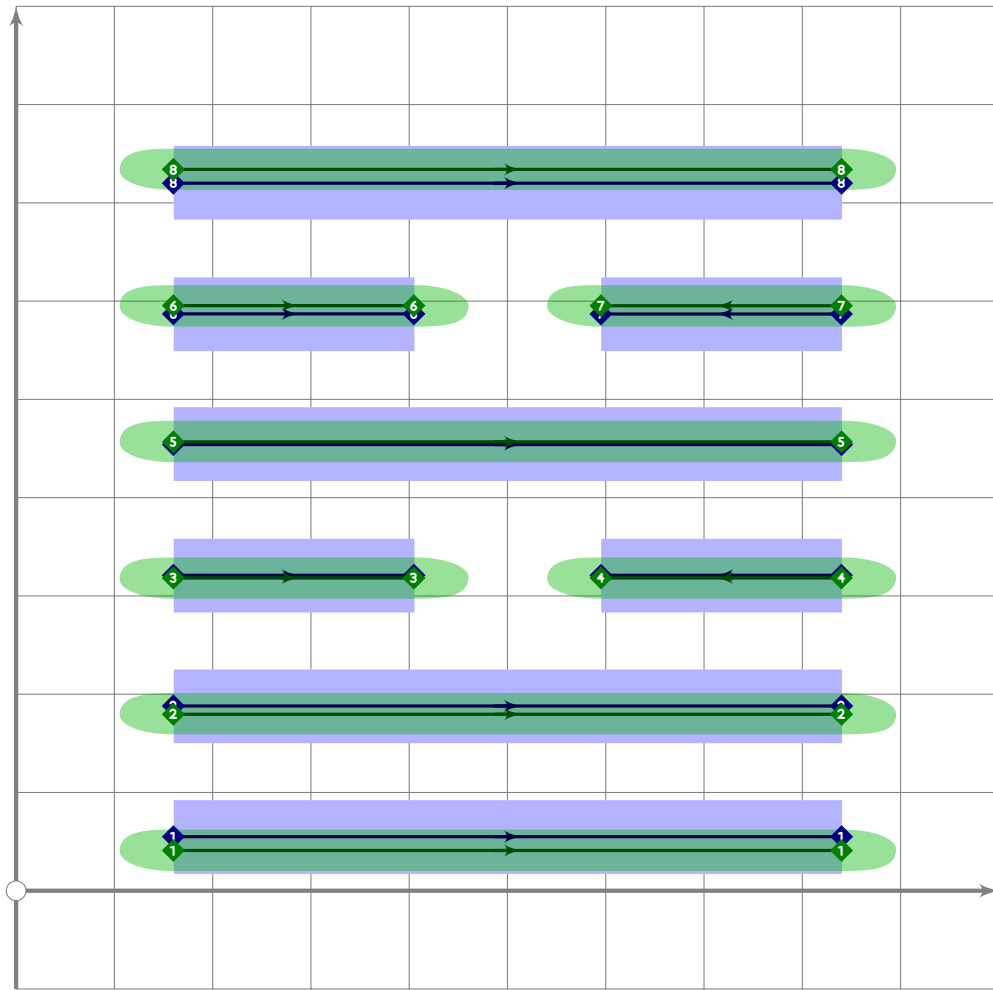
94 `make_hexagram(35,0,0,0,1,0,1);`



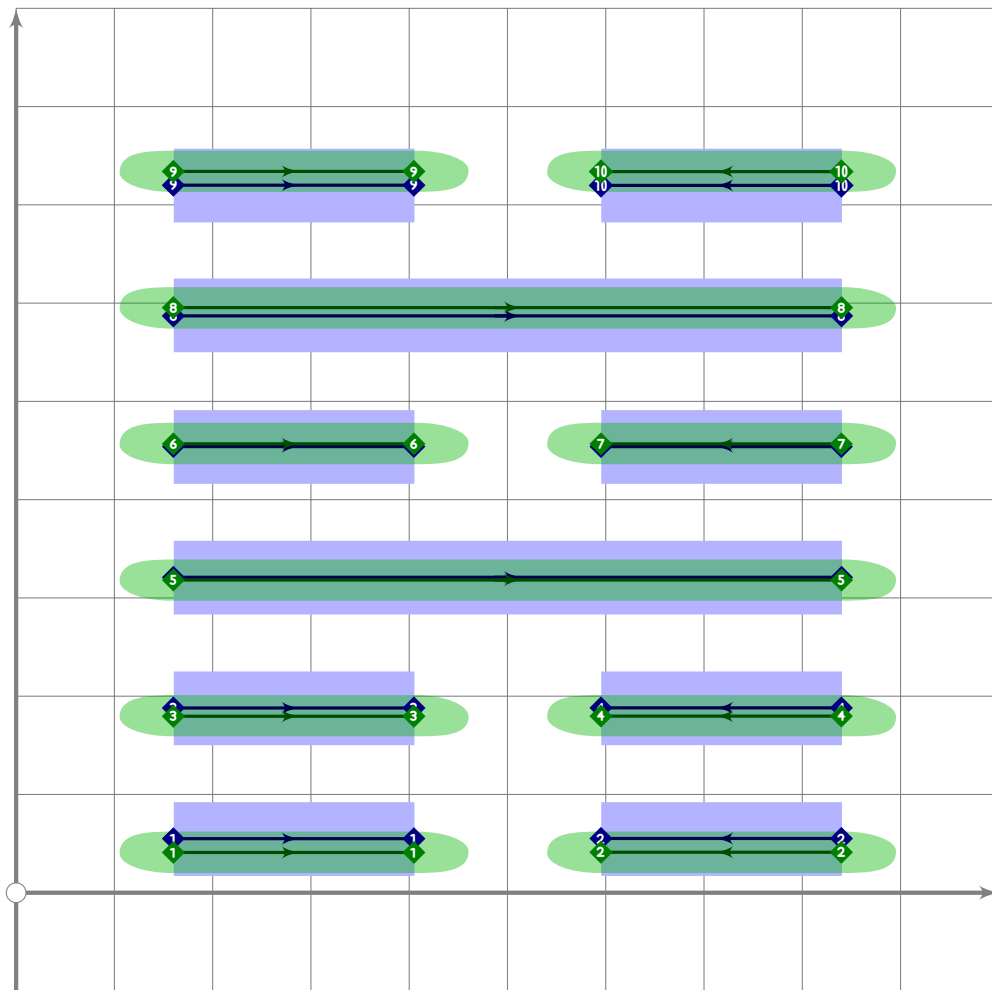
95 `make_hexagram(36,1,0,1,0,0,0);`



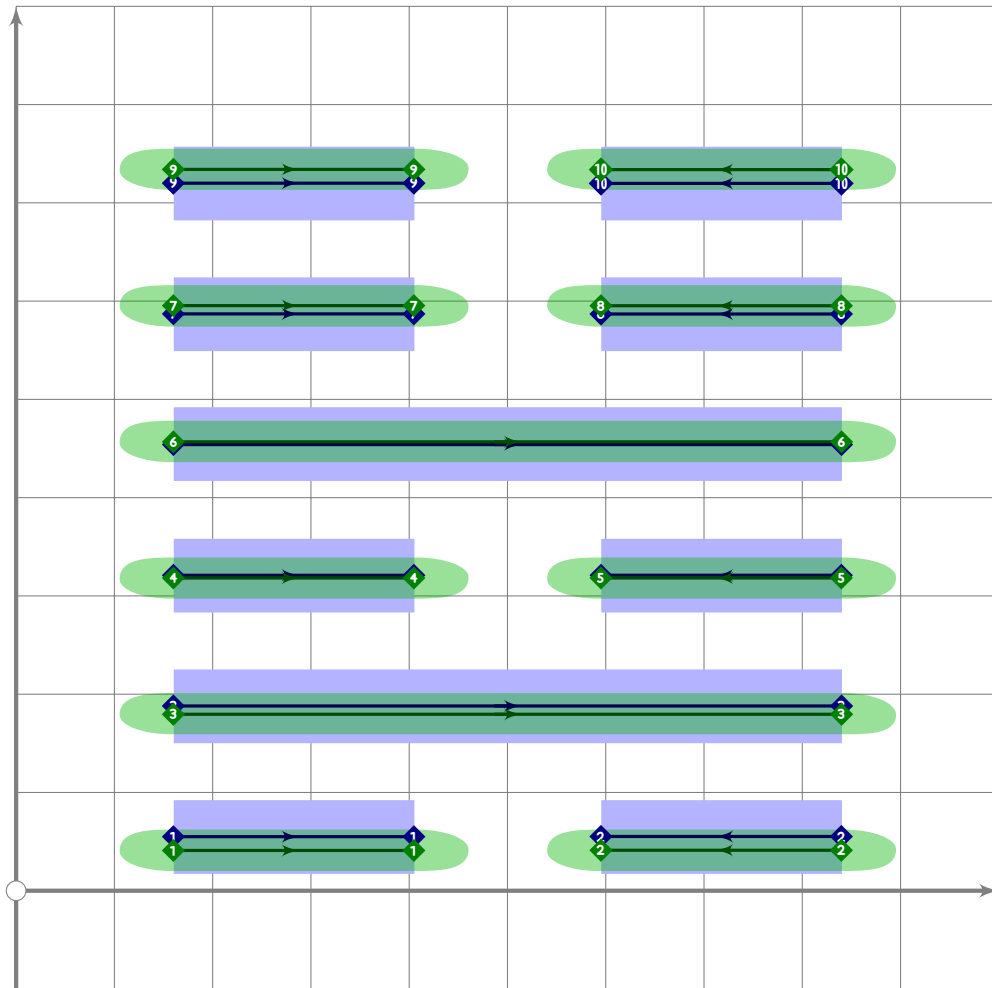
96 `make_hexagram(37,1,0,1,0,1,1);`



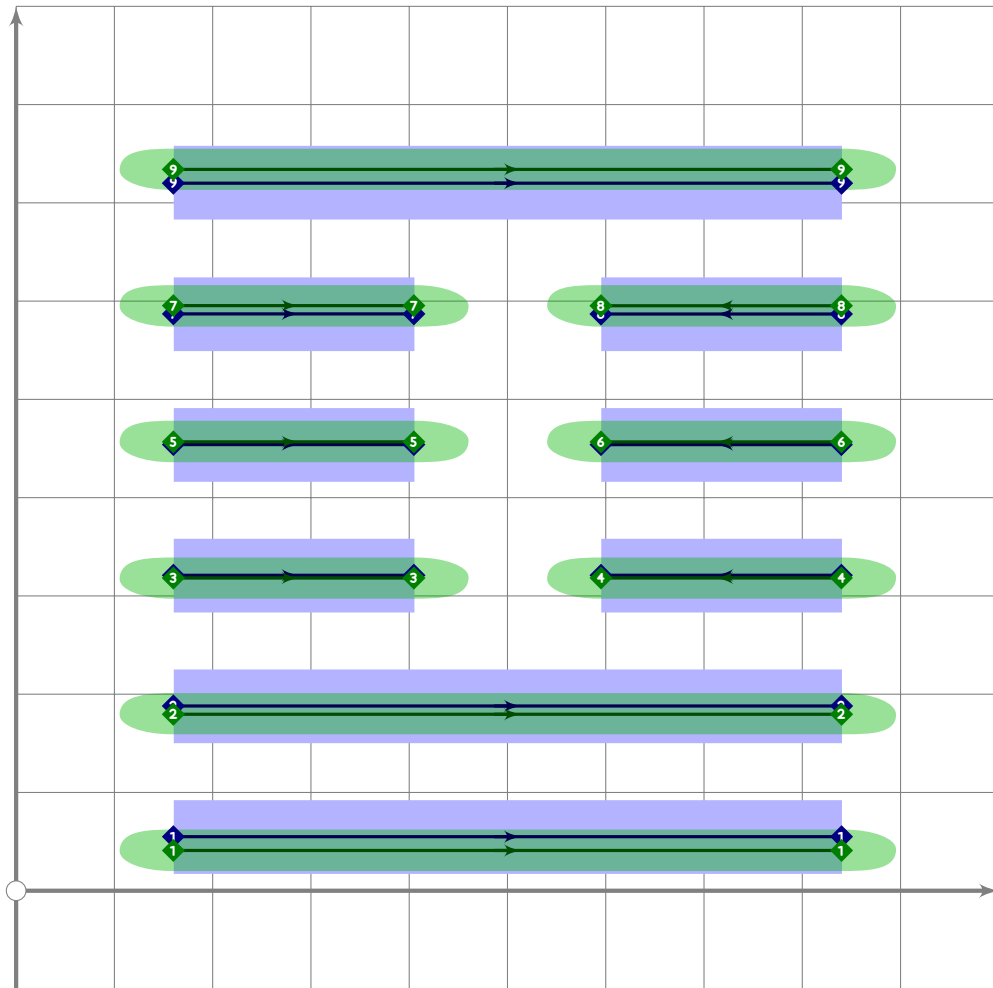
97 `make_hexagram(38,1,1,0,1,0,1);`



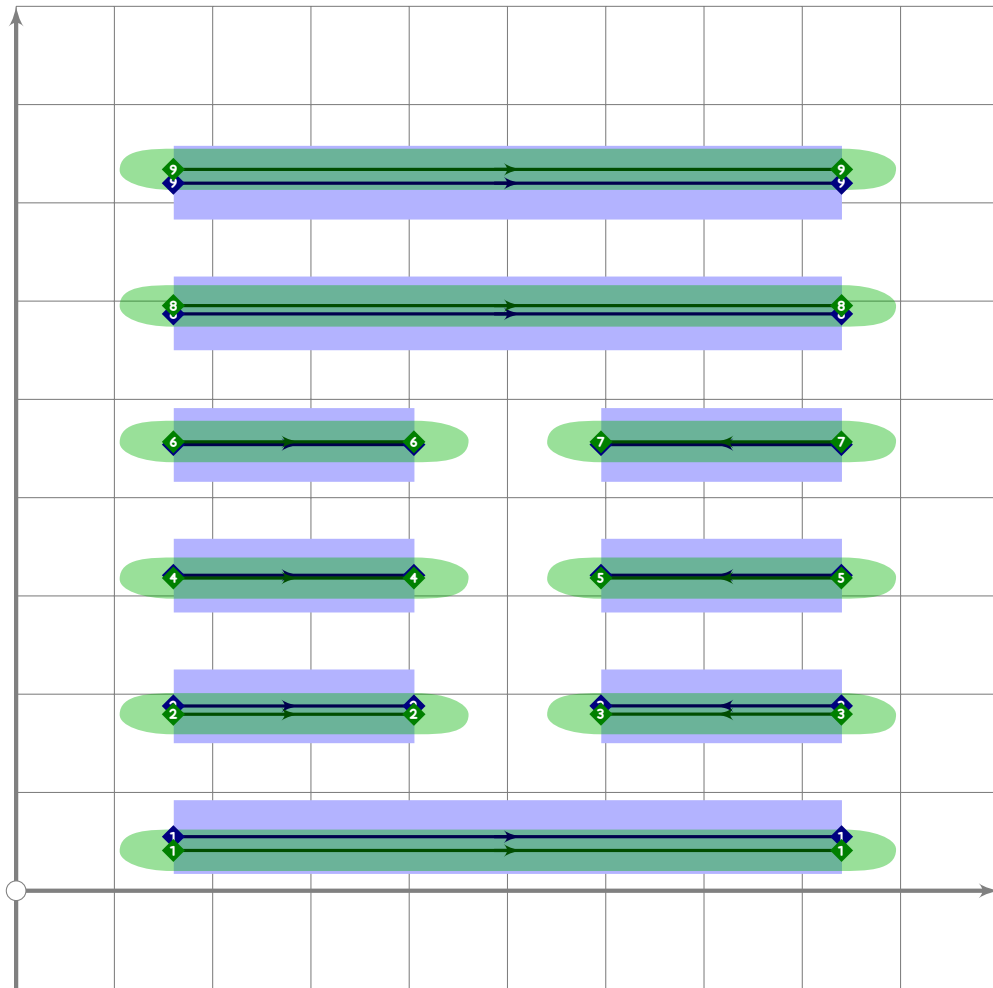
98 `make_hexagram(39,0,0,1,0,1,0);`



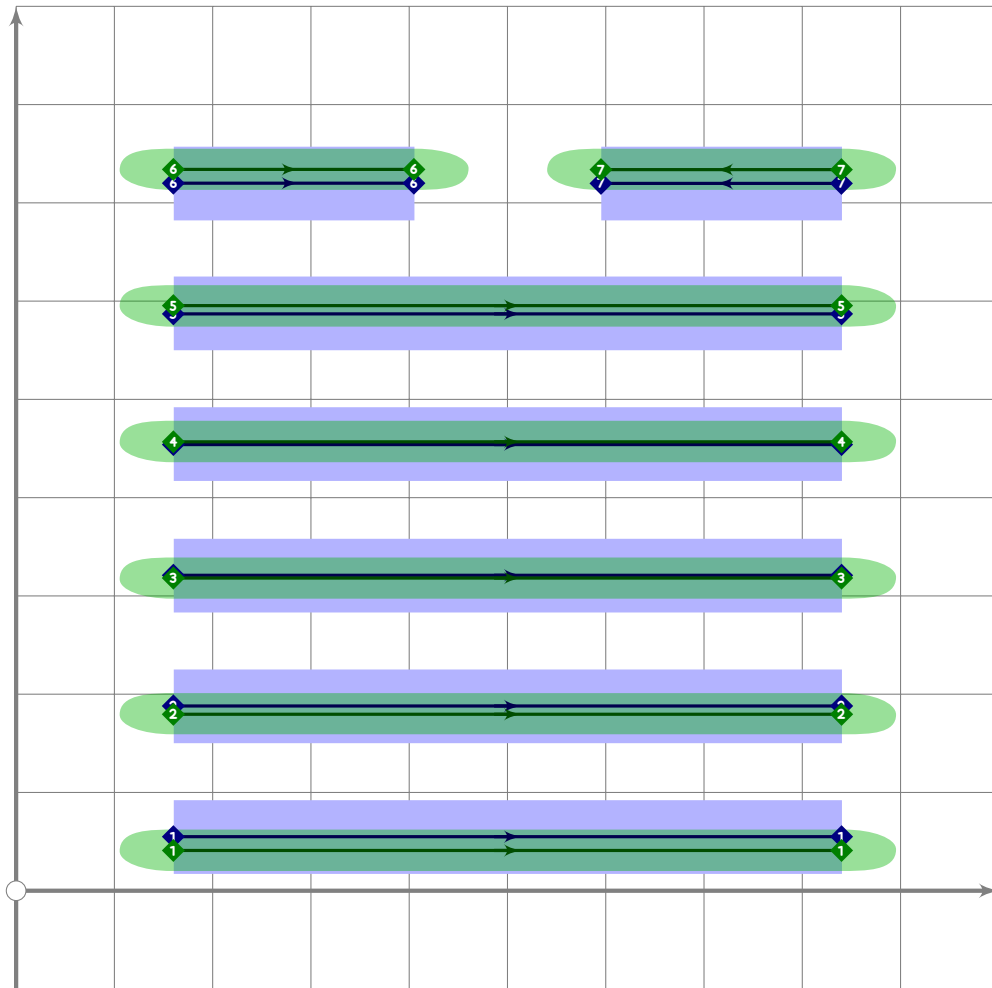
99 `make_hexagram(40,0,1,0,1,0,0);`



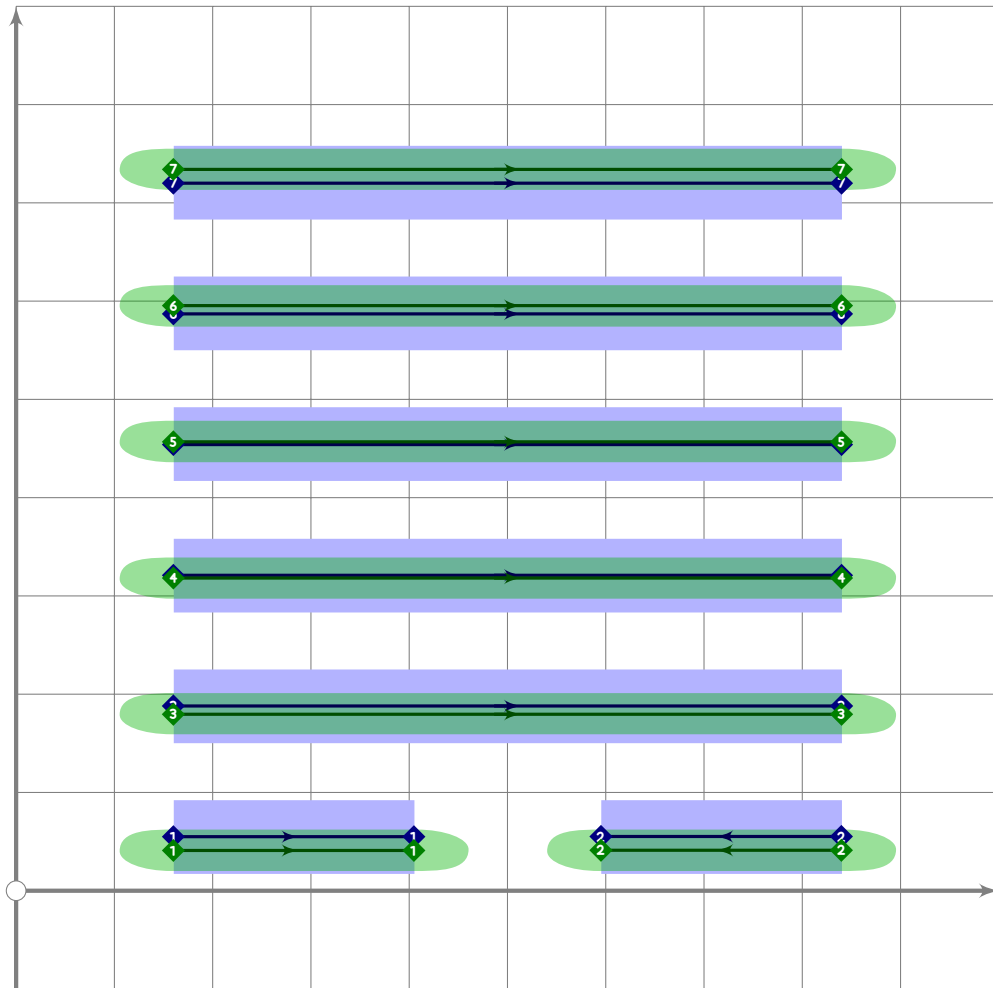
100 `make_hexagram(4,1,1,0,0,0,1);`



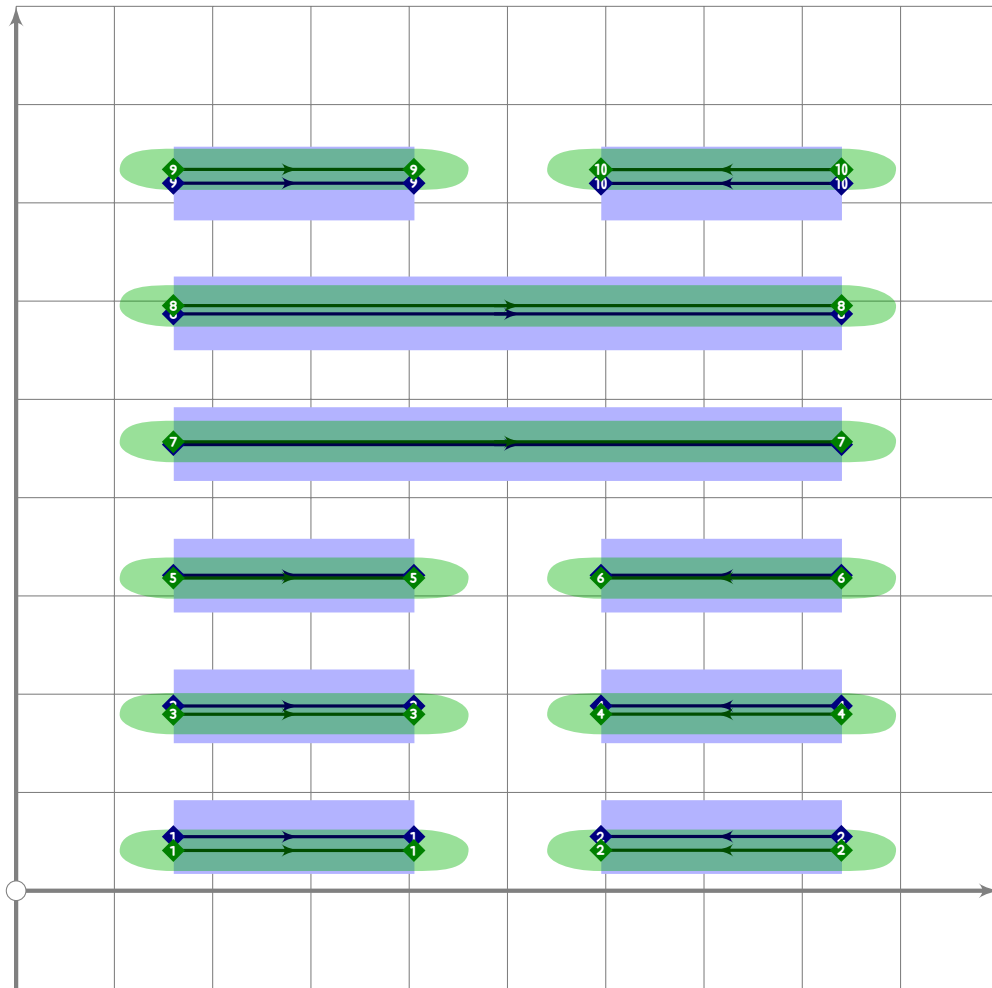
101 `make_hexagram(42,1,0,0,0,1,1);`



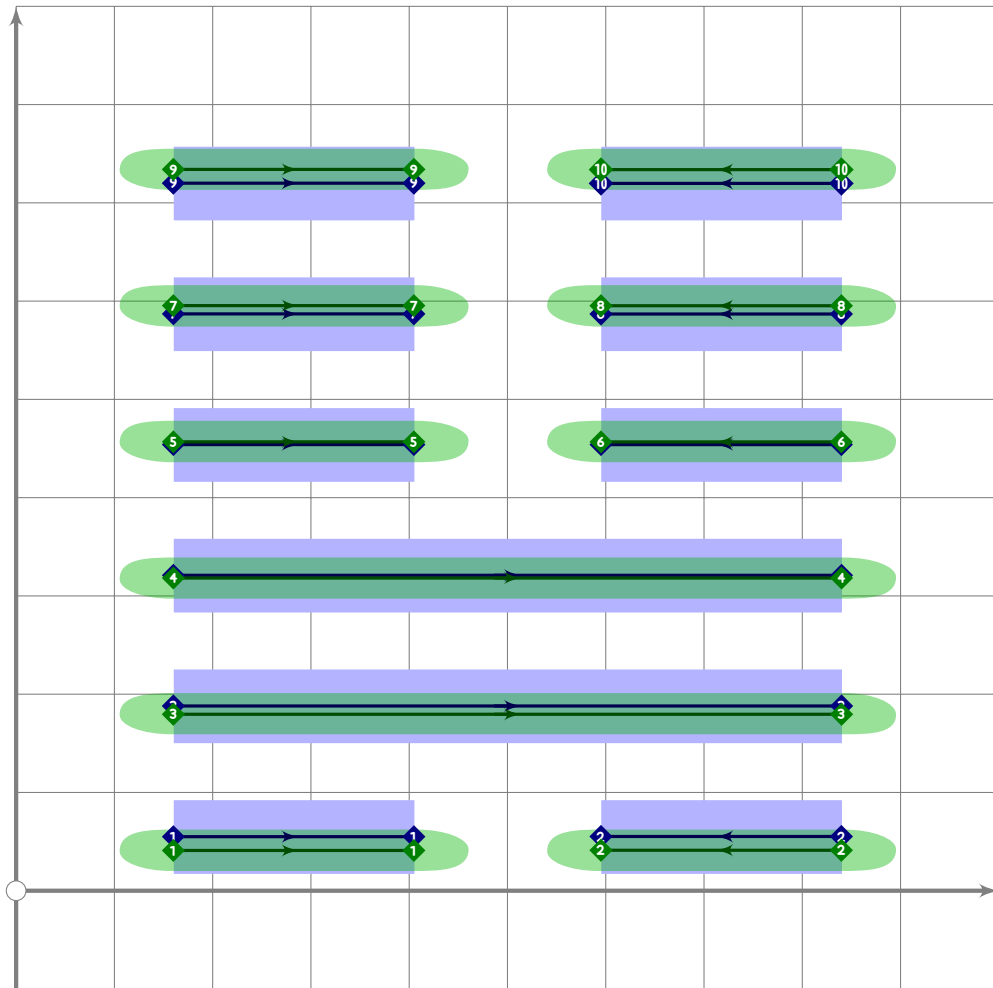
102 `make_hexagram(43,1,1,1,1,0);`



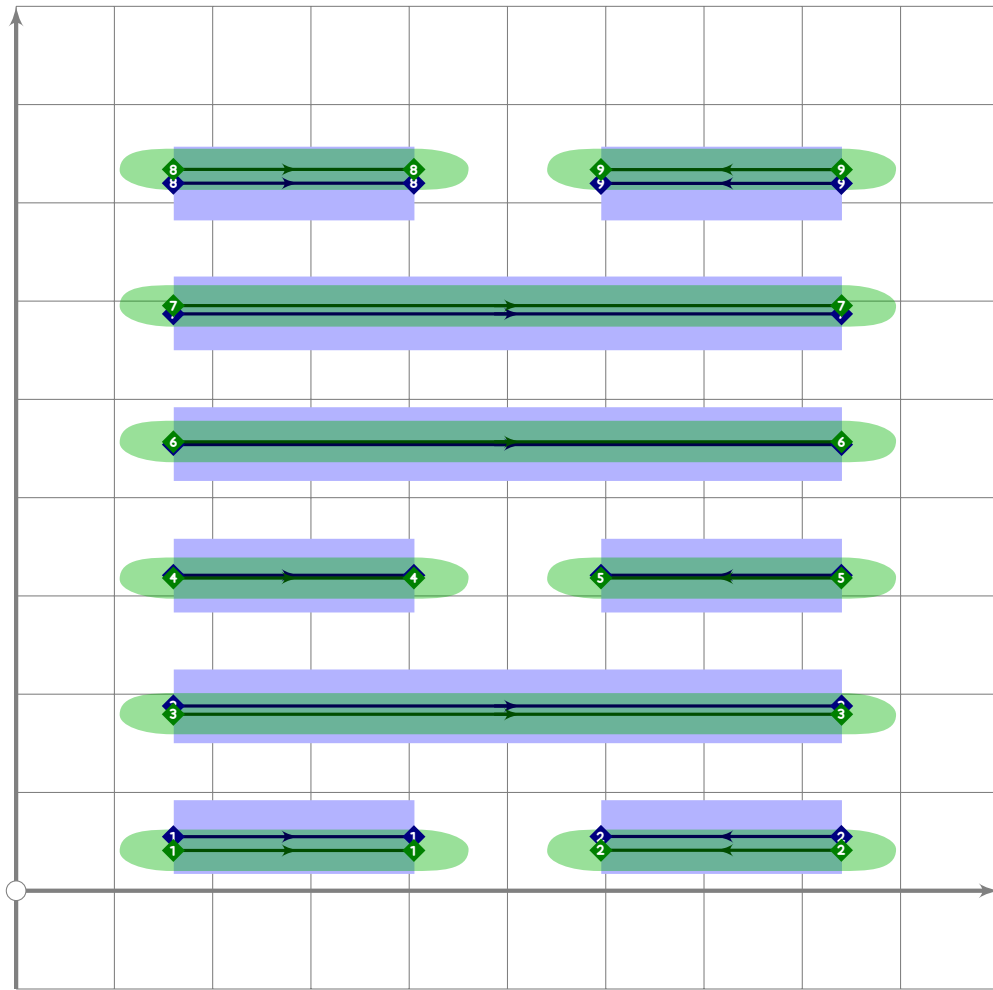
103 `make_hexagram(44,0,1,1,1,1);`



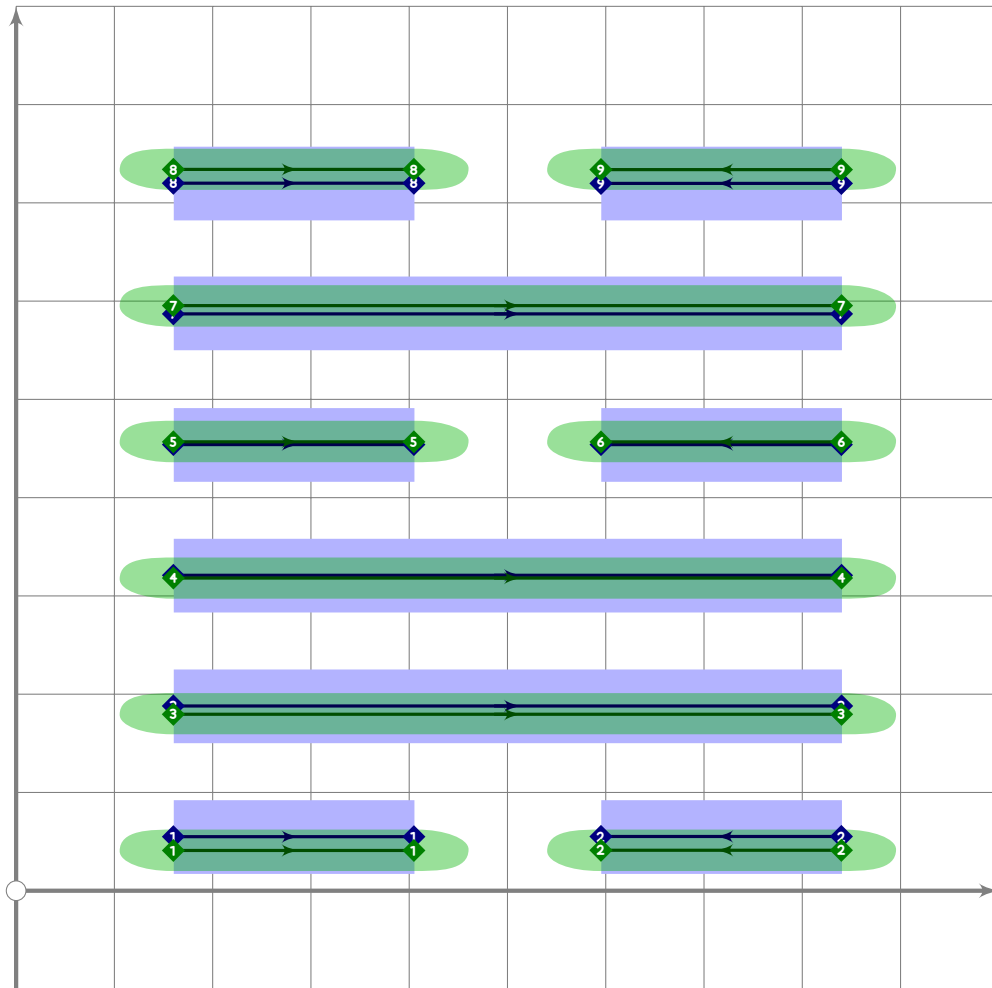
104 `make_hexagram(45,0,0,0,1,1,0);`



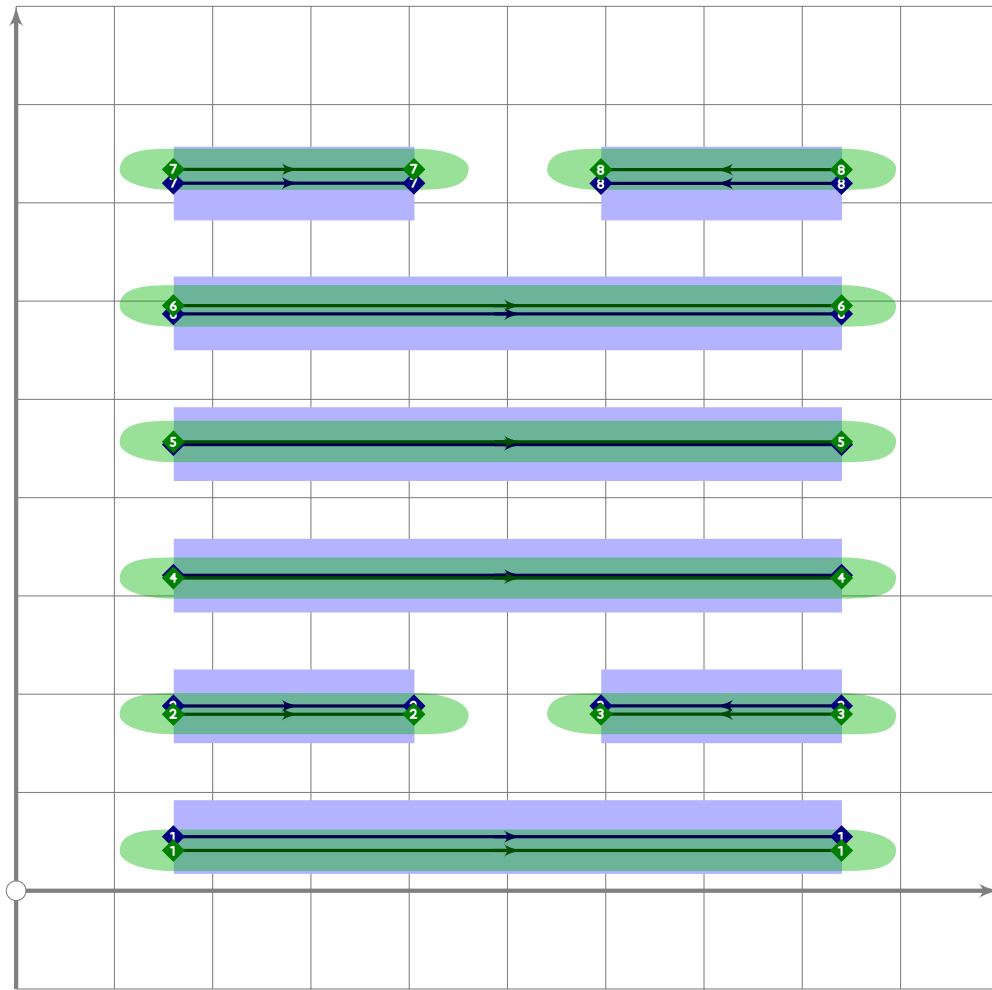
105 `make_hexagram(46,0,1,1,0,0,0);`



106 `make_hexagram(47,0,1,0,1,1,0);`

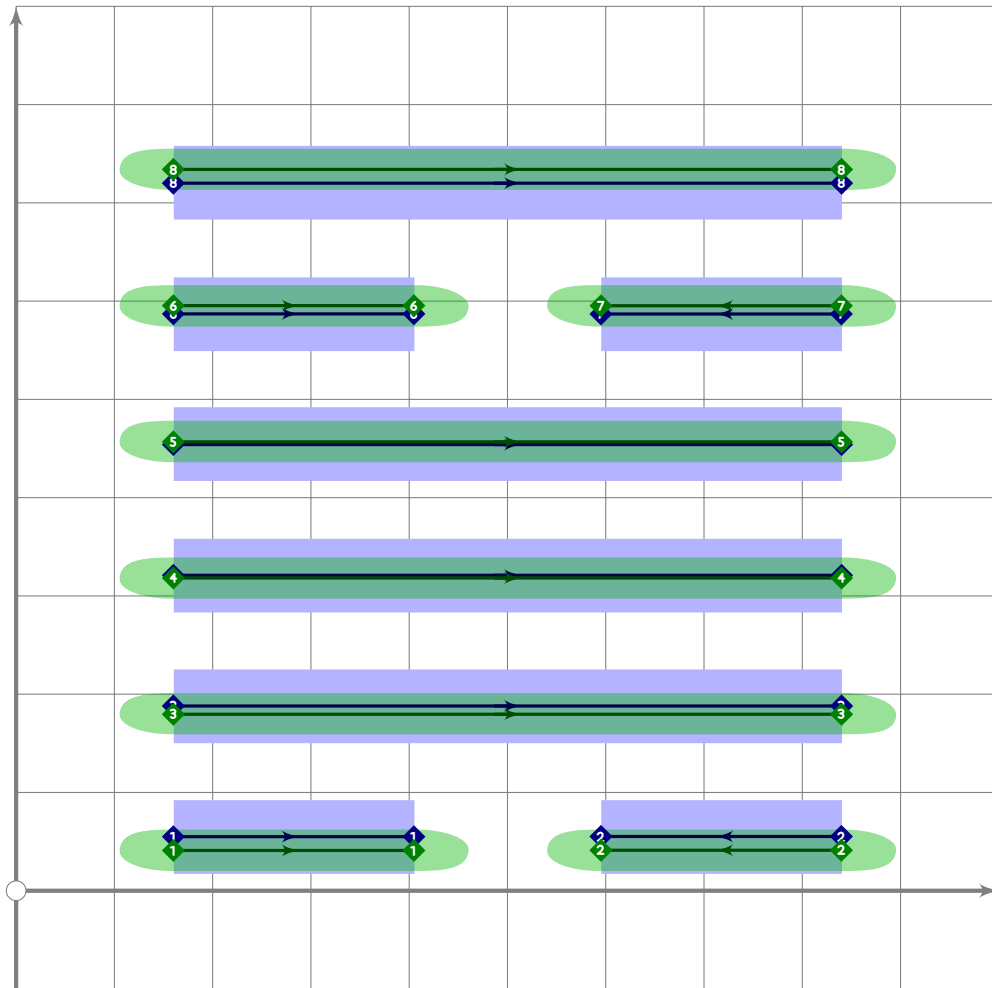


107 `make_hexagram(48,0,1,1,0,1,0);`

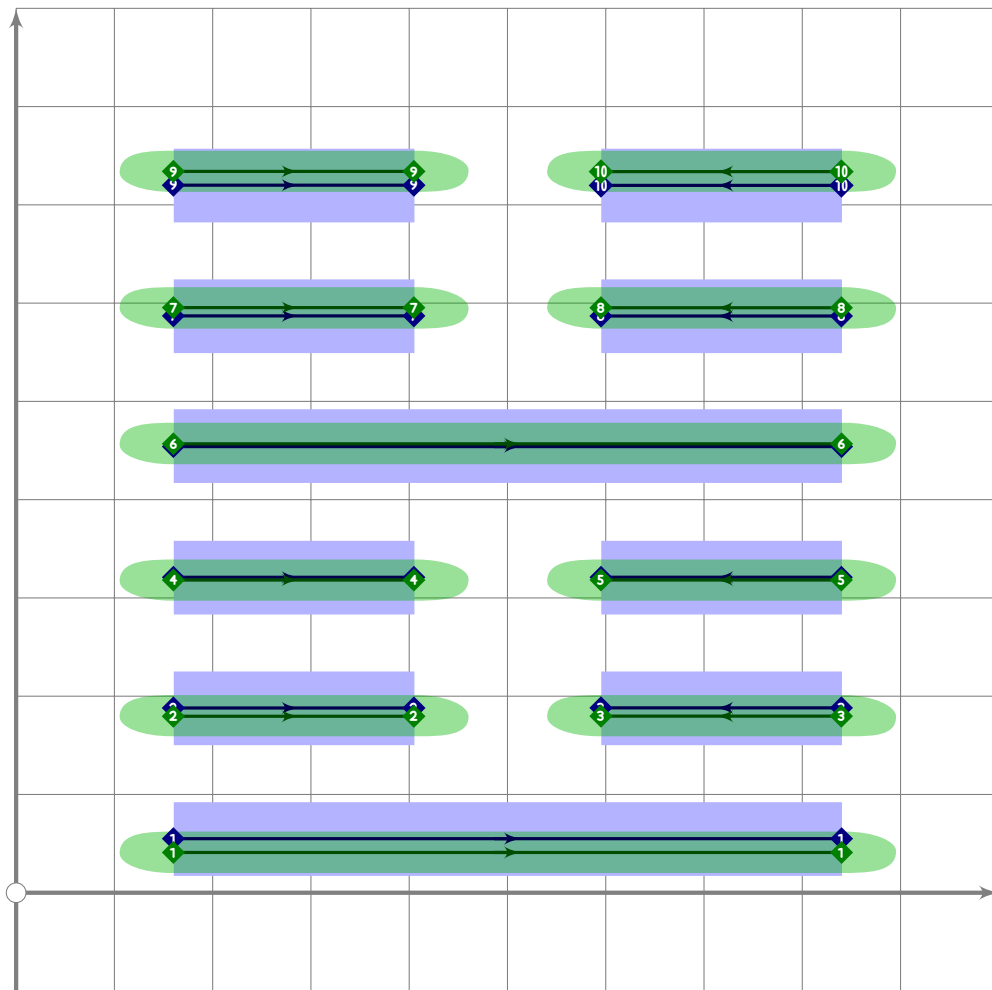


108

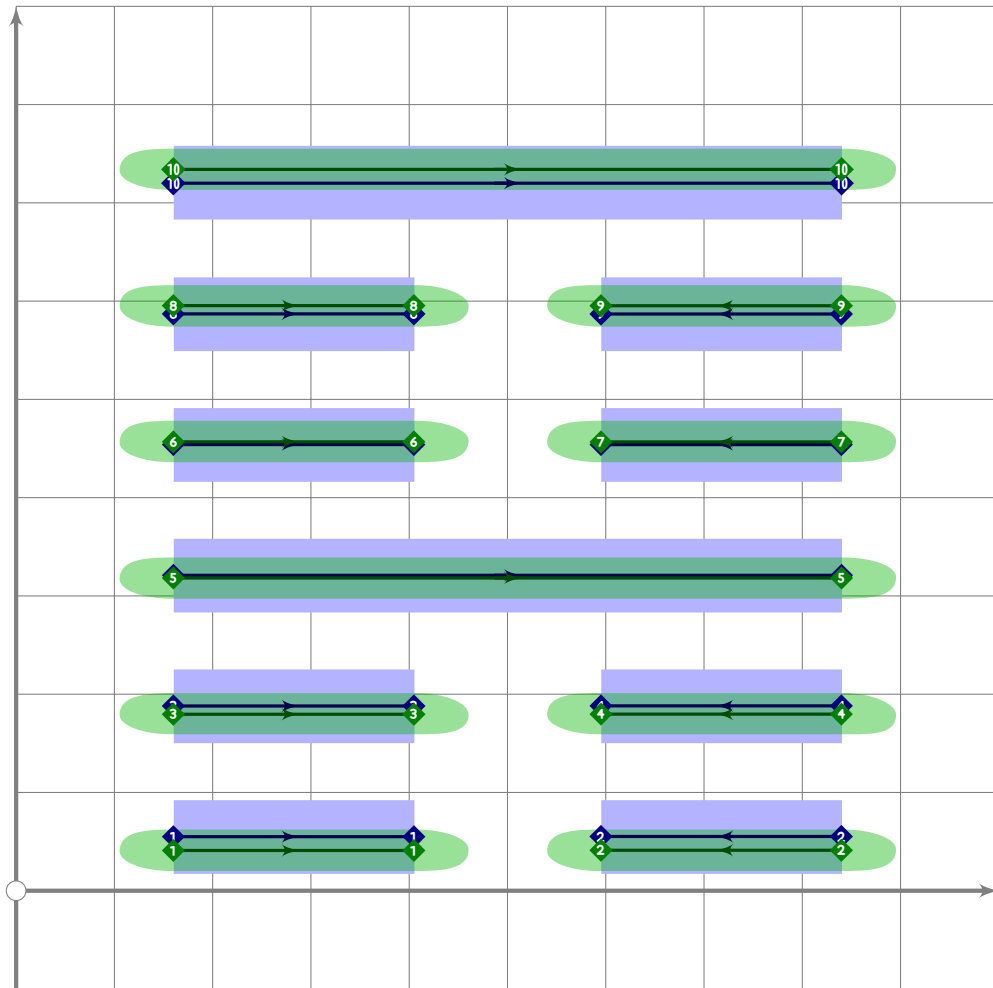
109 `make_hexagram(4,9,1,0,1,1,1,0);`



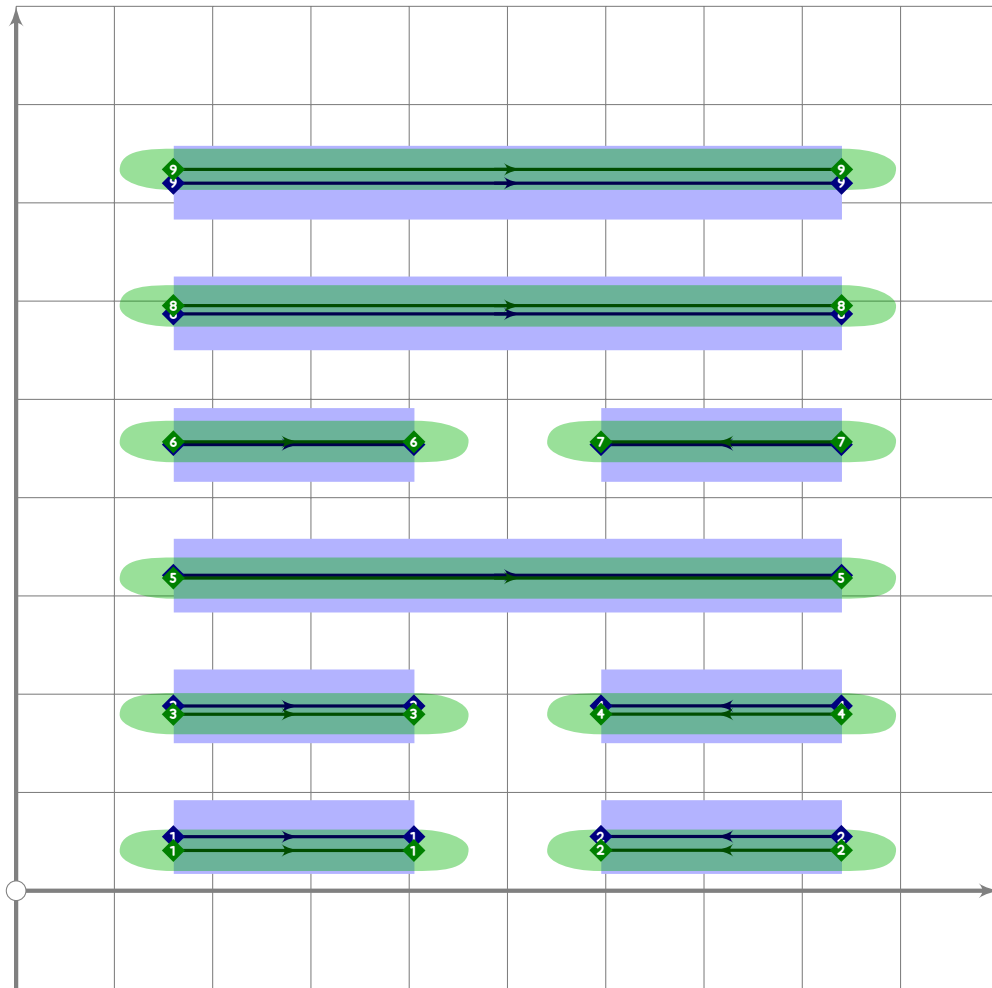
110 `make_hexagram(50,0,1,1,1,0,1);`



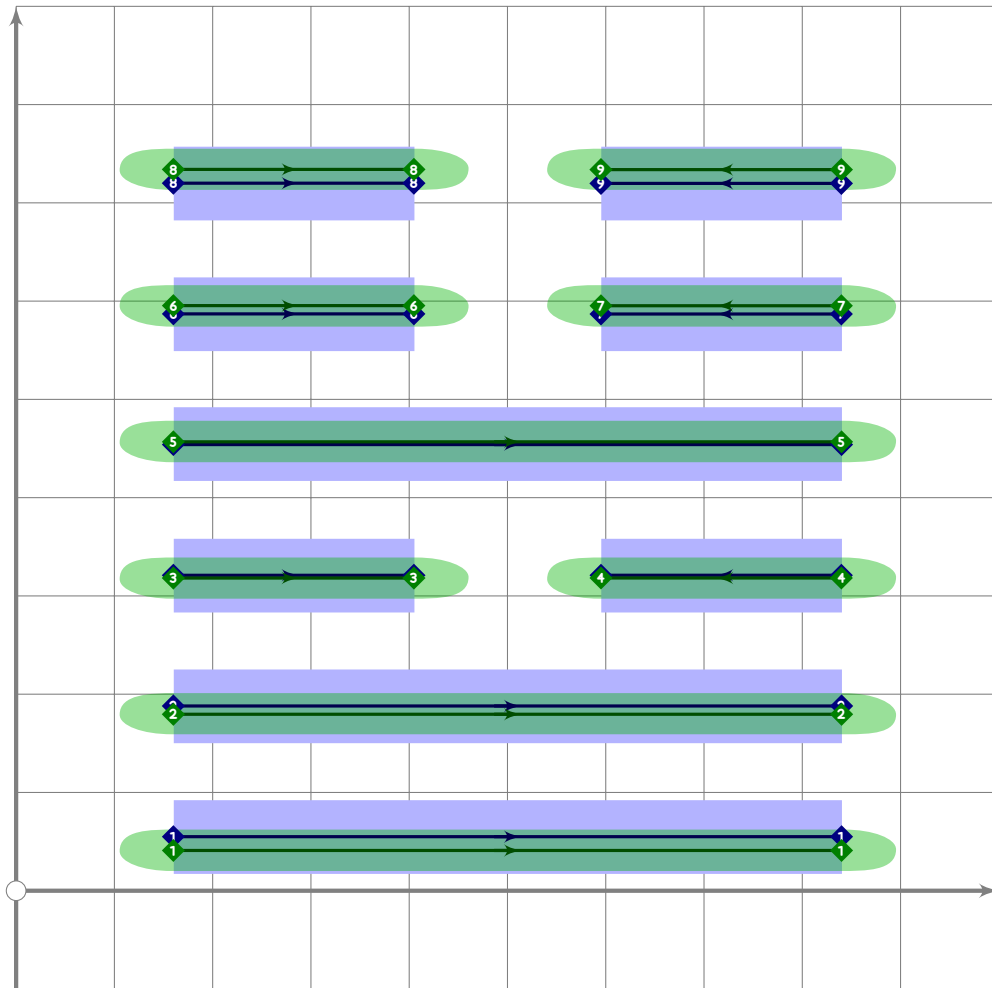
111 `make_hexagram(5,1,0,0,1,0,0);`



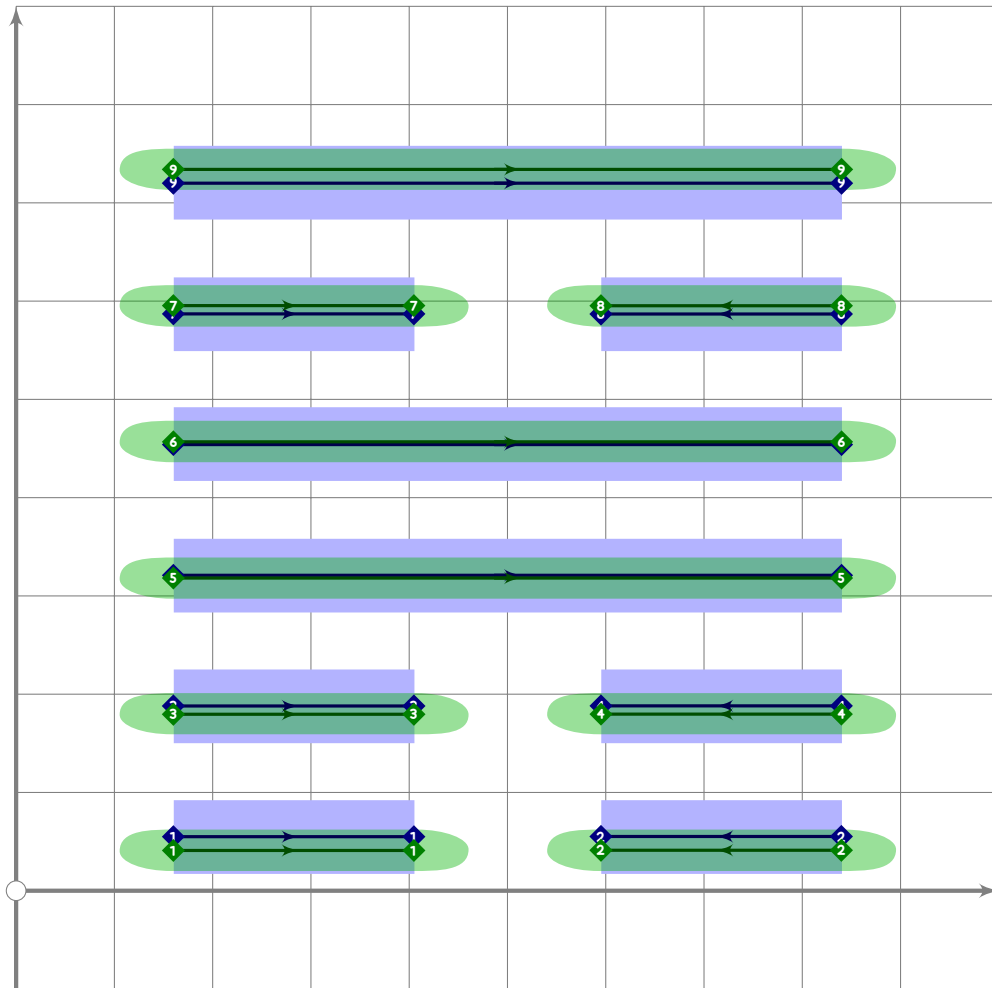
112 `make_hexagram(52,0,0,1,0,0,1);`



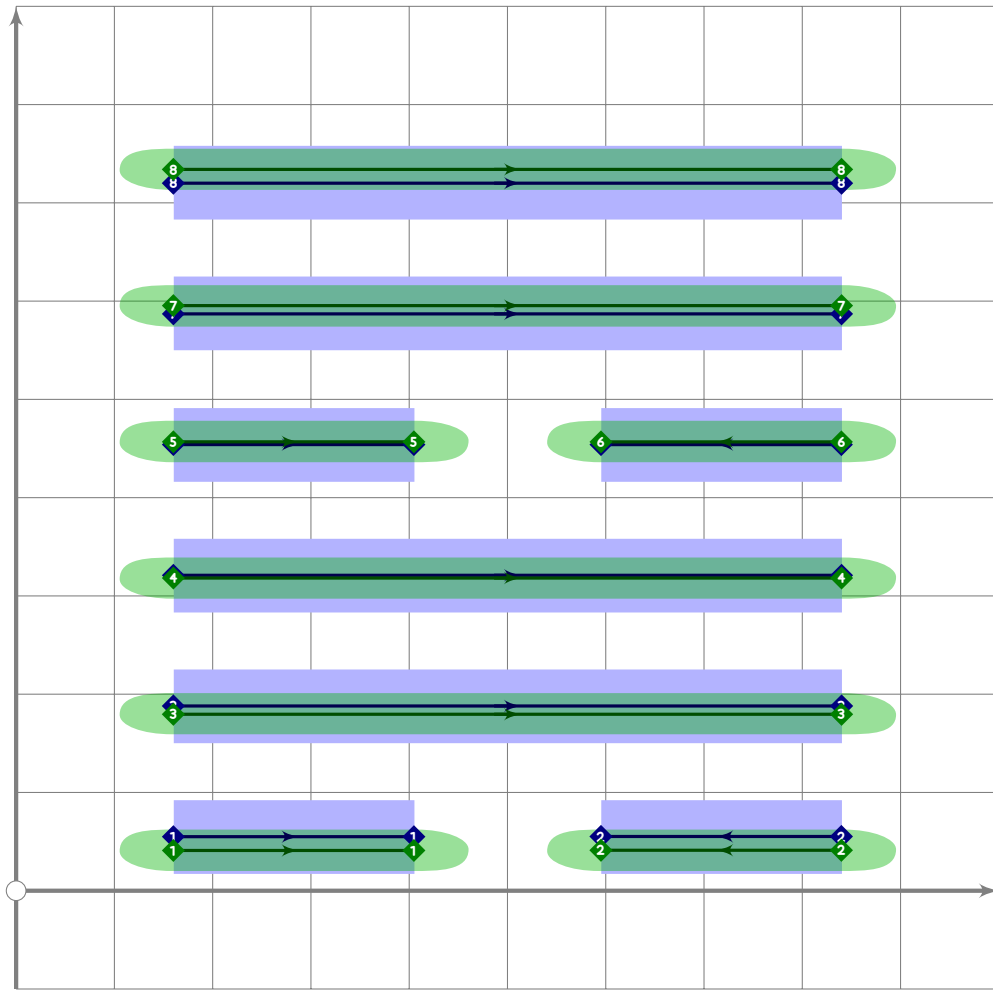
113 `make_hexagram(53,0,0,1,0,1,1);`



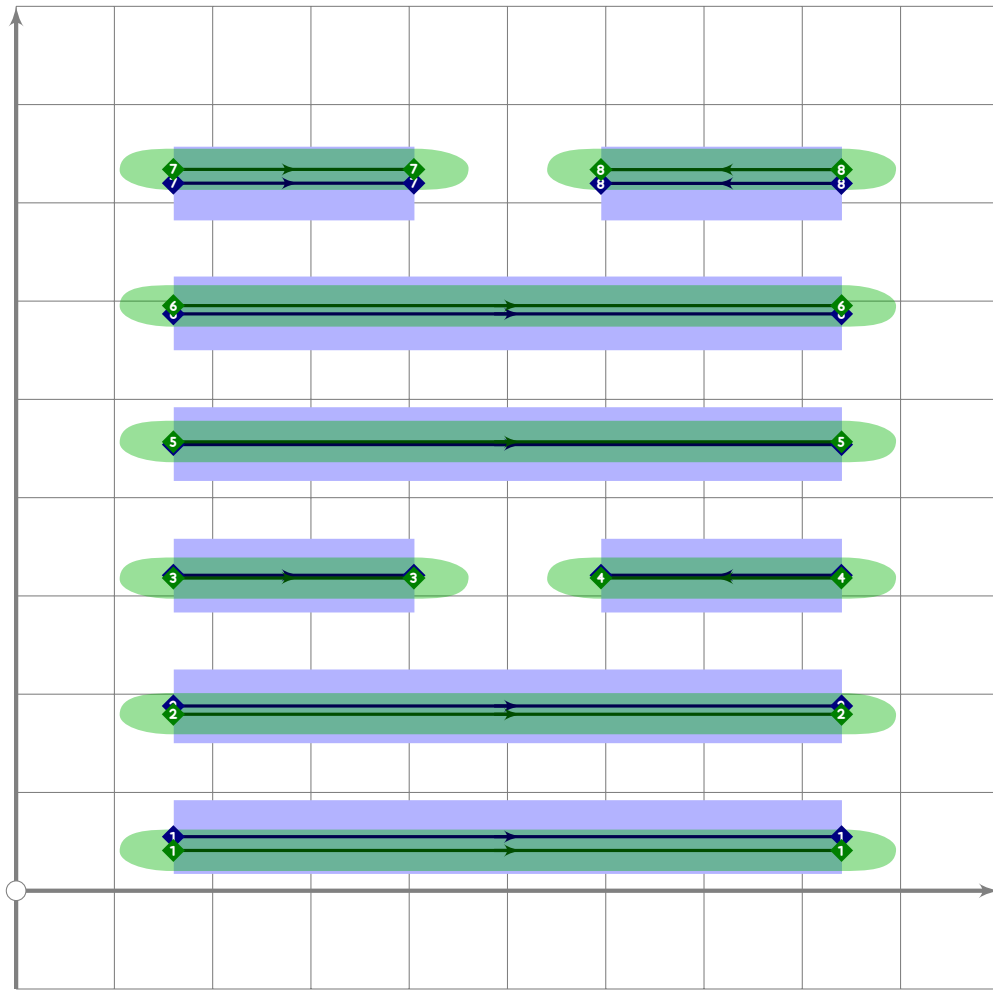
114 `make_hexagram(54,1,1,0,1,0,0);`



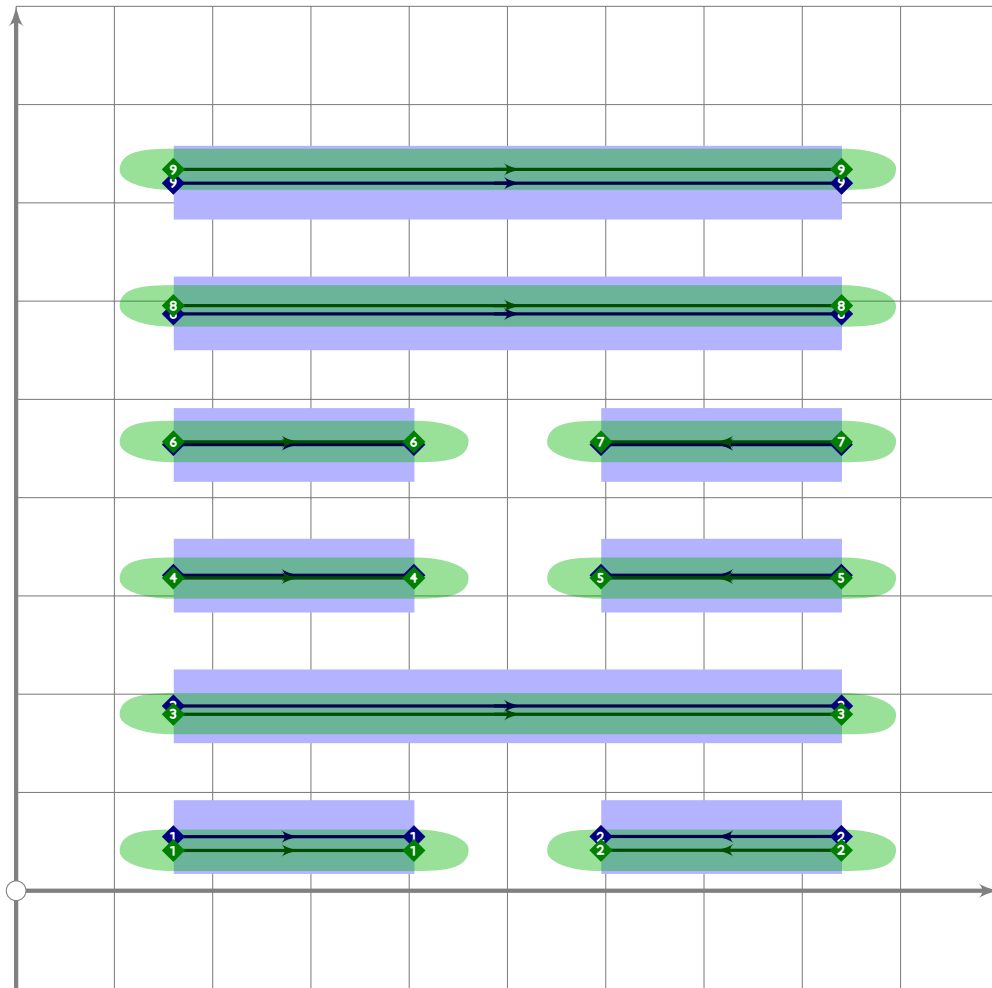
116 `make_hexagram(56,0,0,1,1,0,1);`



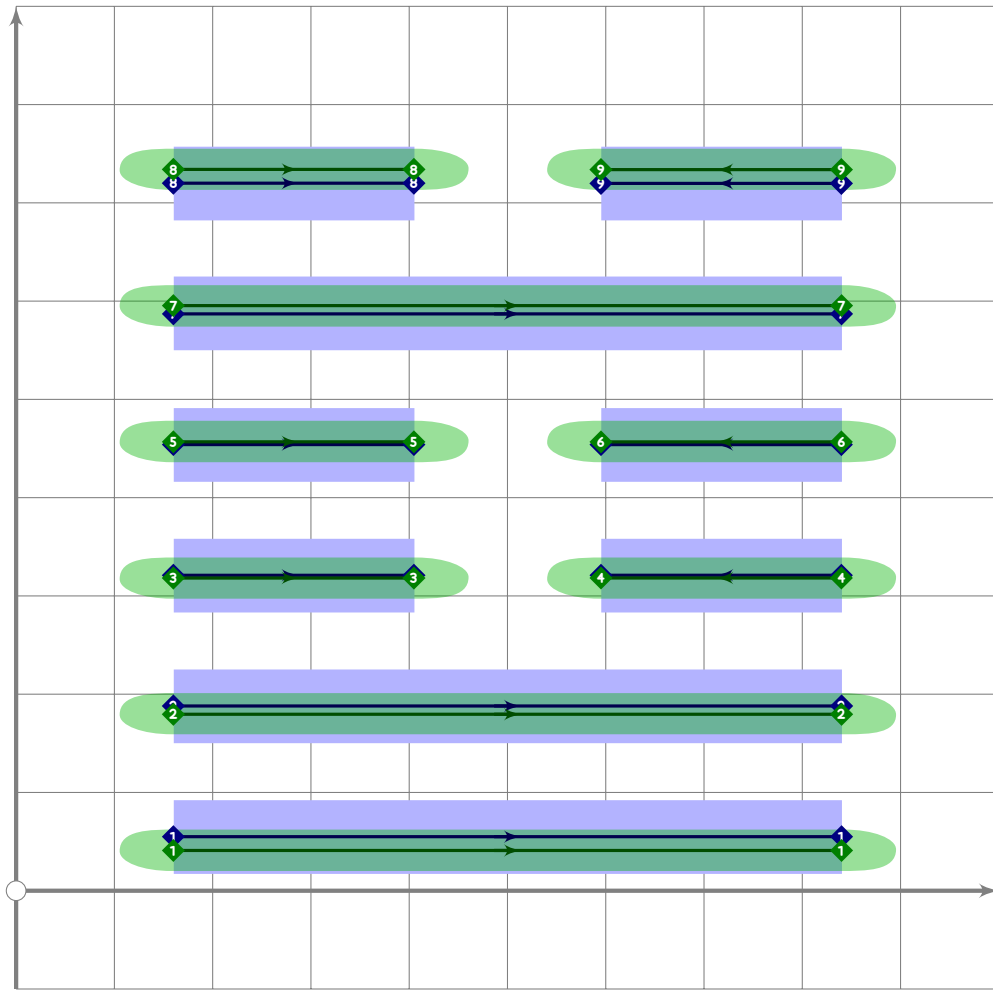
117 `make_hexagram(57,0,1,1,0,1,1);`



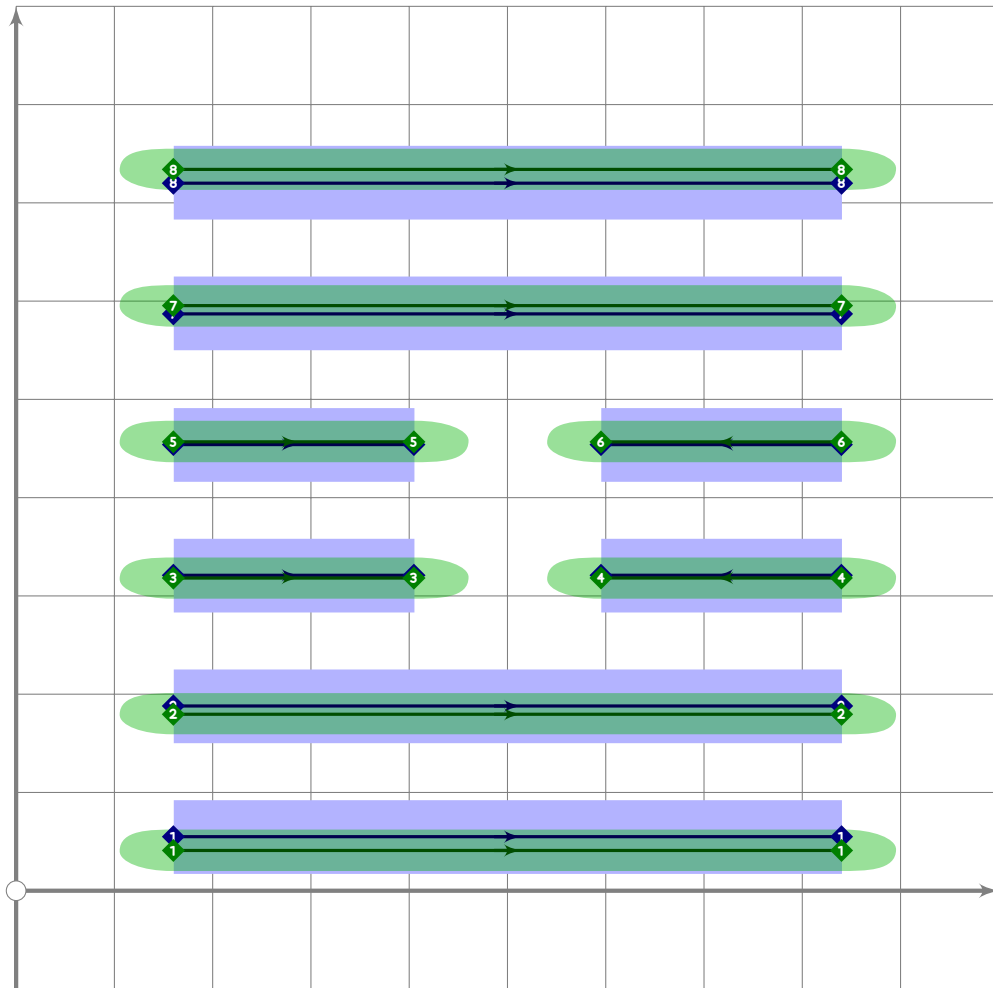
118 `make_hexagram(58,1,1,0,1,1,0);`



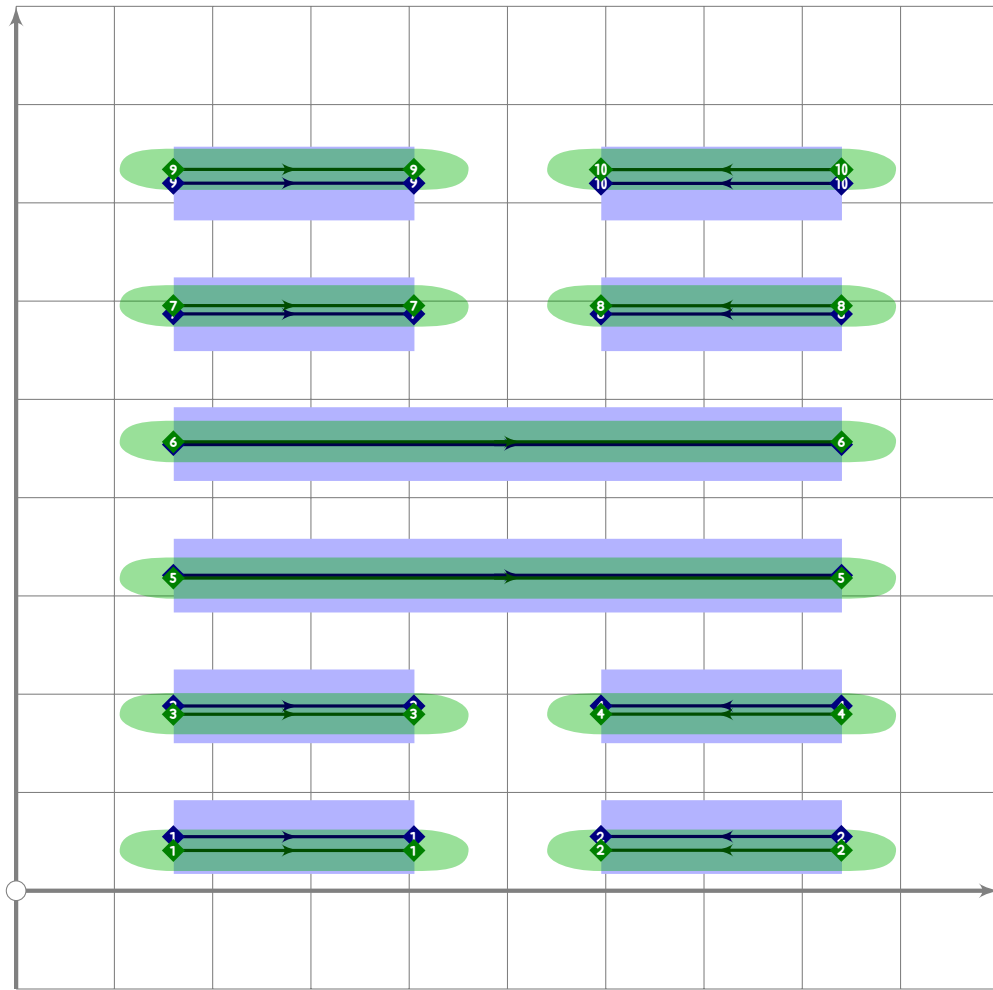
119 `make_hexagram(59,0,1,0,0,1,1);`



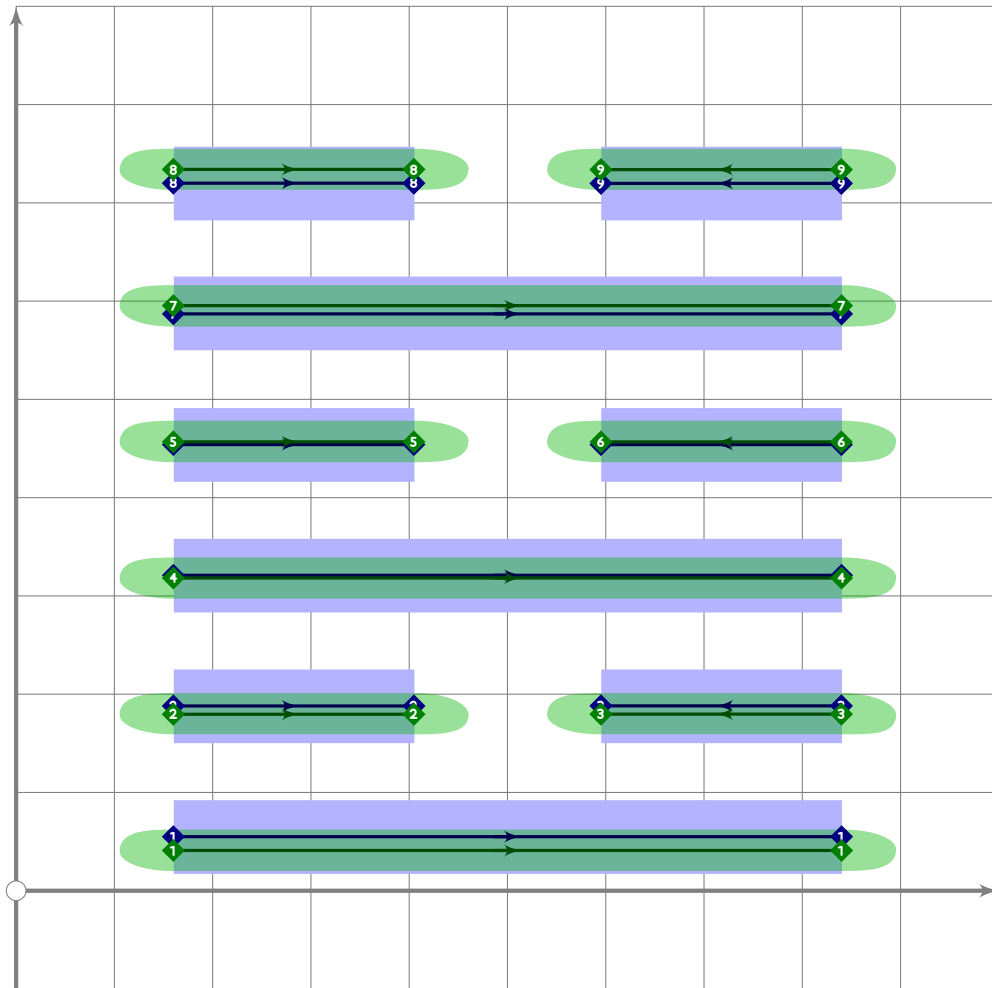
120 `make_hexagram(60,1,1,0,0,1,0);`



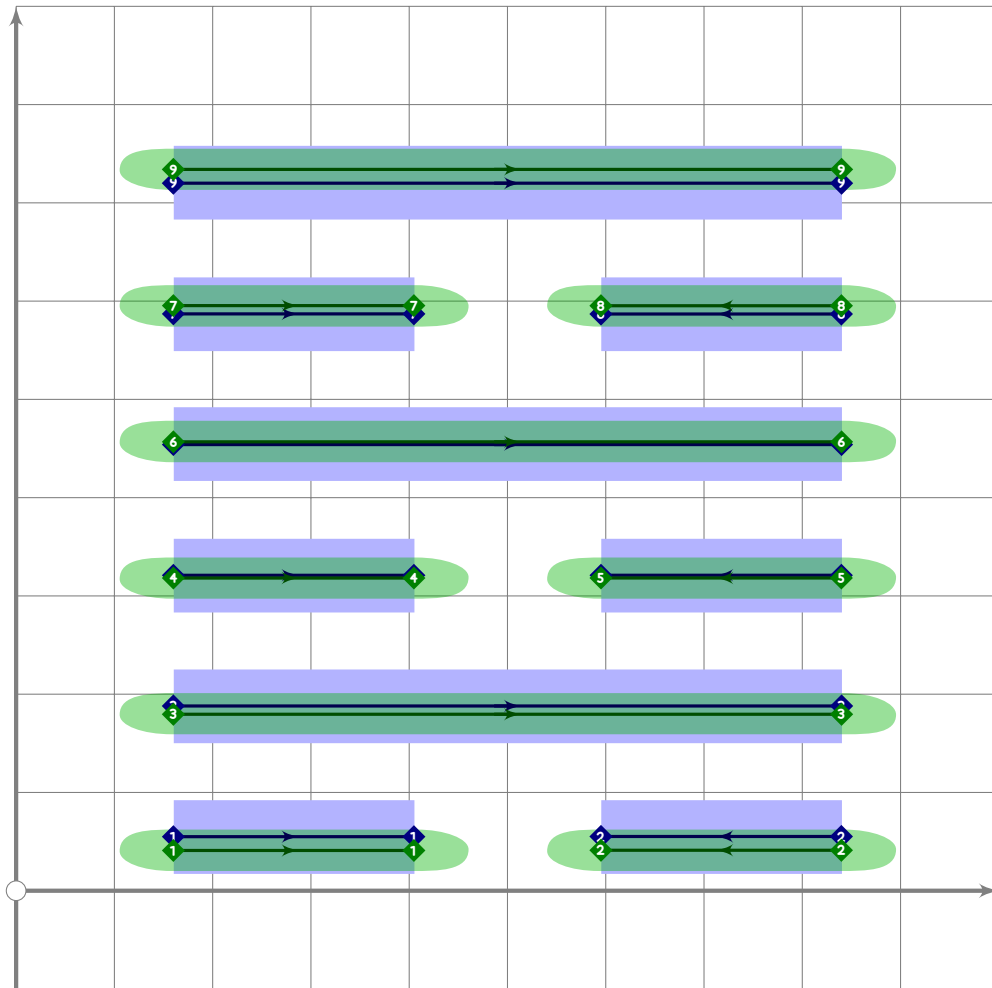
121 `make_hexagram(6,1,1,1,0,0,1,1);`



122 `make_hexagram(62,0,0,1,1,0,0);`



123 `make_hexagram(63,1,0,1,0,1,0);`



124 `make_hexagram(64,0,1,0,1,0,1);`

125

126

127

128 `endfont;`

129

130

Part IV

U+4E00 to U+9FFF

tsuku-4e.mp

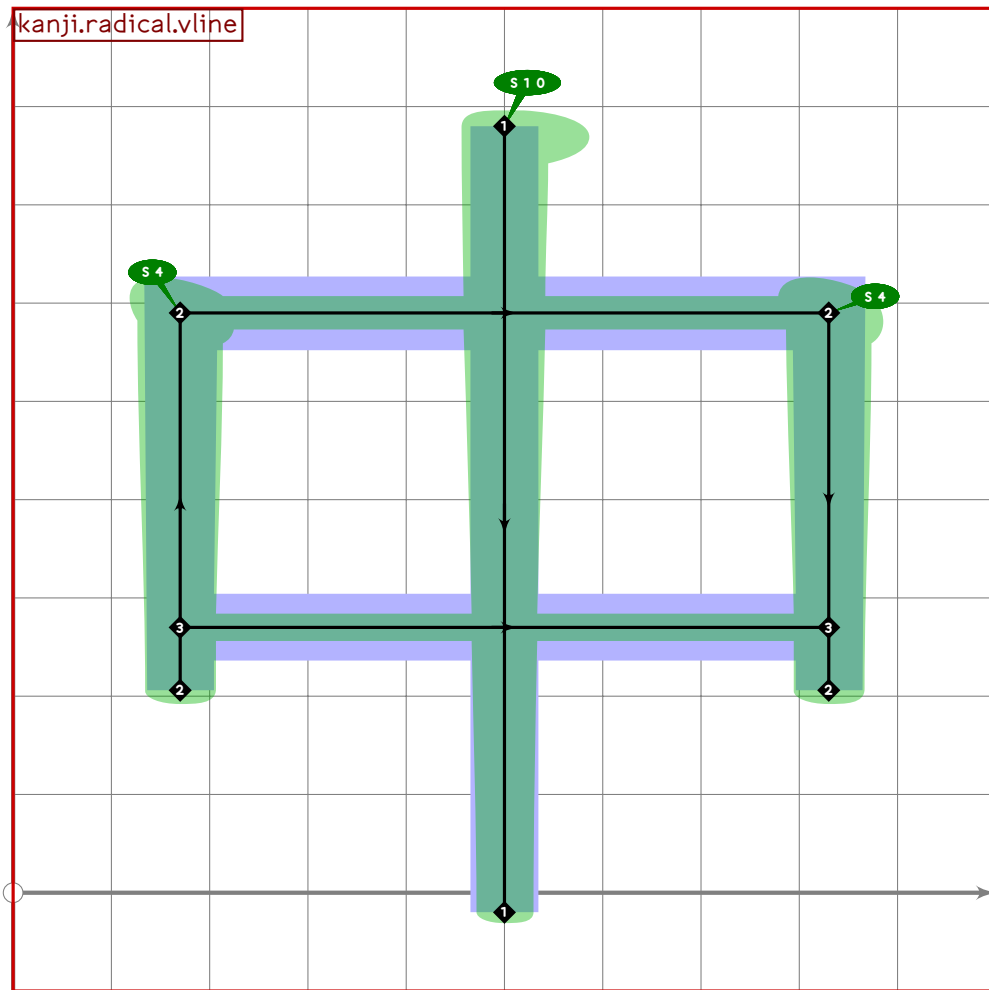
```
1 %
2 % Unicode page 4e (Kanji) for Tsukurimashou
3 % Copyright (C) 2011 Matthew Skala
4 %
5-29 [Standard copyright notice]
30
31 

---


32
33 beginfont
34
35 % AUTODEPS
36 input buildkanji.mp;
37 input gradeeight.mp;
38 input gradefour.mp;
39 input gradenine.mp;
40 input gradeone.mp;
41 input gradesix.mp;
42 input gradethree.mp;
43 input gradetwo.mp;
44 input leftrad.mp;
45 input radical.mp;
46 input rare.mp;
47
48 

---

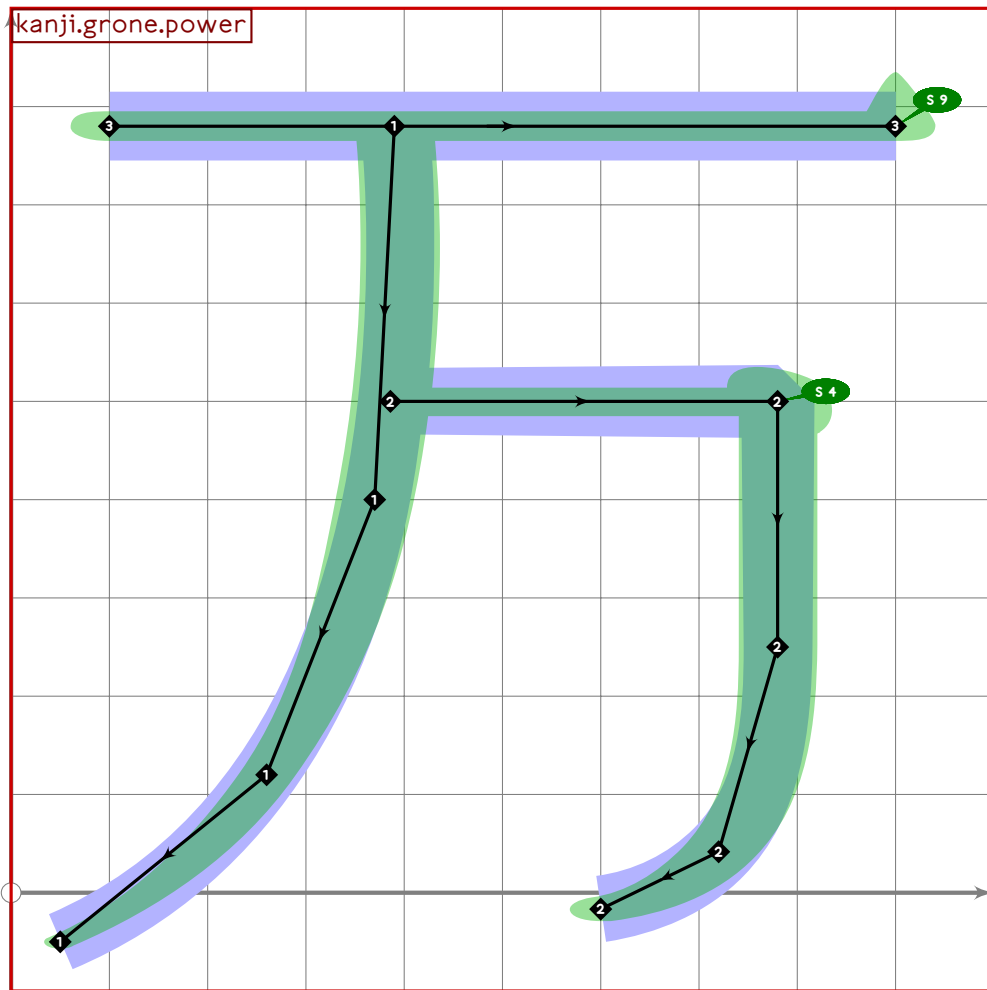

```



```

49
50 vardef tsu_curve.kanji.grone.middle =
51   add_proof_box("kanji.grone.middle");
52   tsu_curve.kanji.radical.vline;
53   build_kanji.box((170,590),(830,270));
54 enddef;
55
56

```

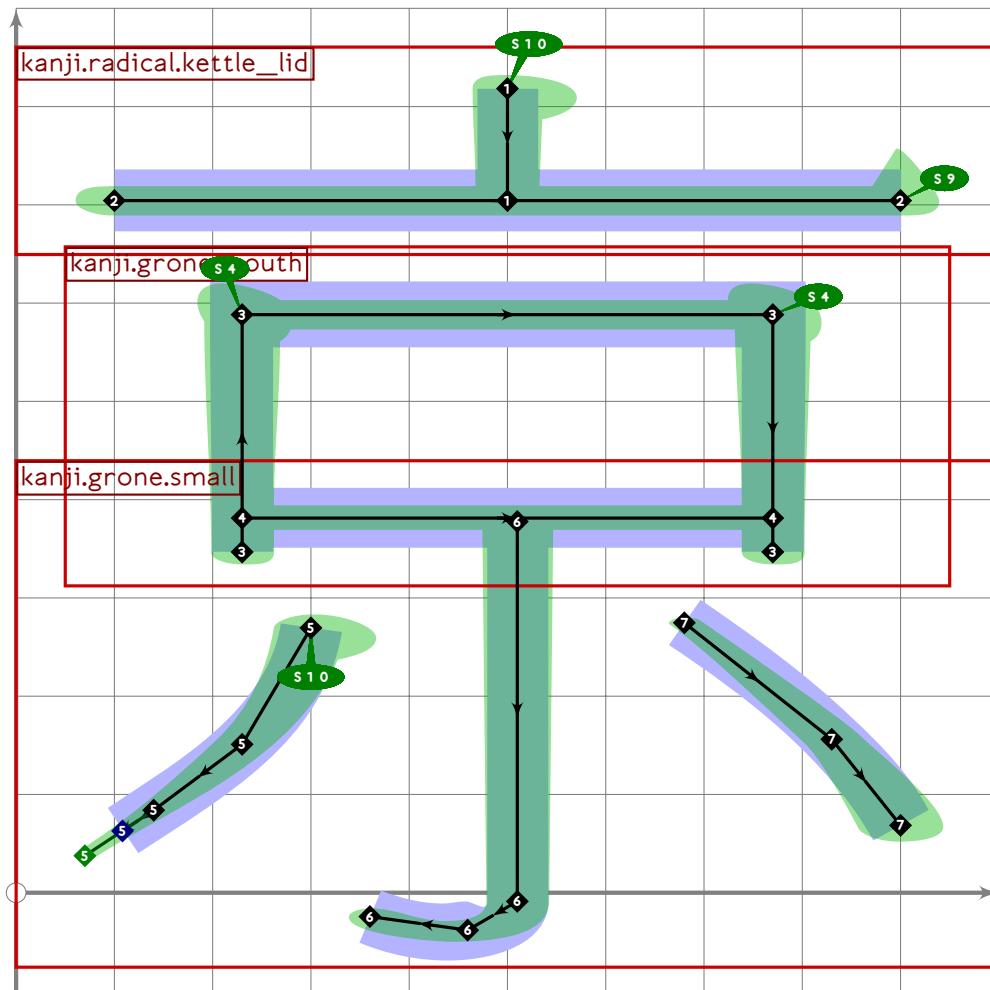


57

```

58 vardef tsu_curve.kanji.grtwo.myriad =
59   add_proof_box("kanji.grtwo.myriad");
60   tsu_curve.kanji.grone.power;
61   bo_serif[sp-2][0]:=whatever;
62   bp[sp-1]:=bp[sp-1] yscaled (500/600) shifted (-50,0);
63   bp[sp-1]:=subpath (xpart (bp[sp-1] intersectiontimes bp[sp-2]),infinity)
64     of bp[sp-1];
65   bp[sp]:=(100,780)-(900,780);
66   bq[sp]:=(1.6,1.6)-(1.6,1.6);
67   bo_serif[sp][1]:=9;
68   sp:=sp*1;
69 enddef;

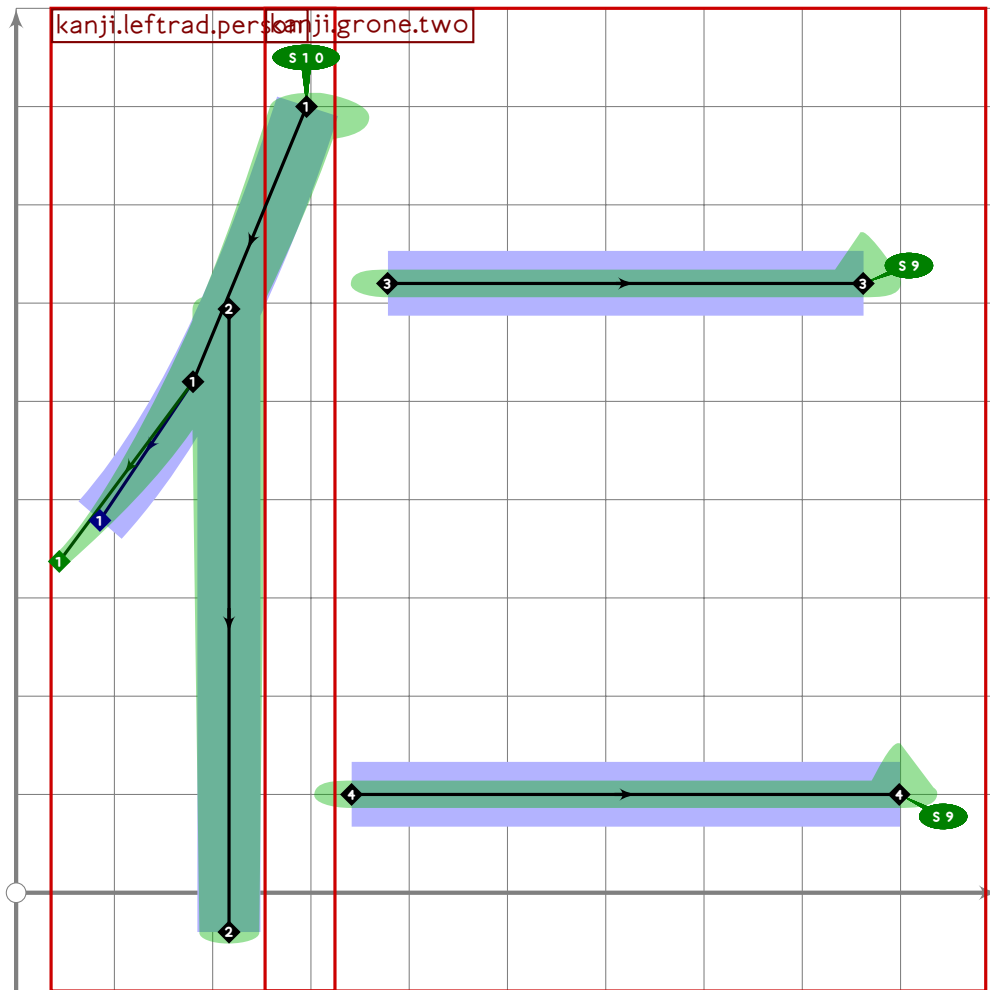
```

```

70
71 vardef tsu_curve.kanji.grtwo.capital =
72   add_proof_box("kanji.grtwo.capital");
73   build_kanji.level(build_kanji.tb(650,-20)
74     (tsu_curve.kanji.radical.kettle_lid)
75     (build_kanji.tb(500,110)
76       (build_kanji.sscale(xscaled 0.9)(tsu_curve.kanji.grone.mouth))
77       (tsu_curve.kanji.grone.small)));
78   bo_serif[sp-2][0]:=whatever;
79 enddef;
80
81

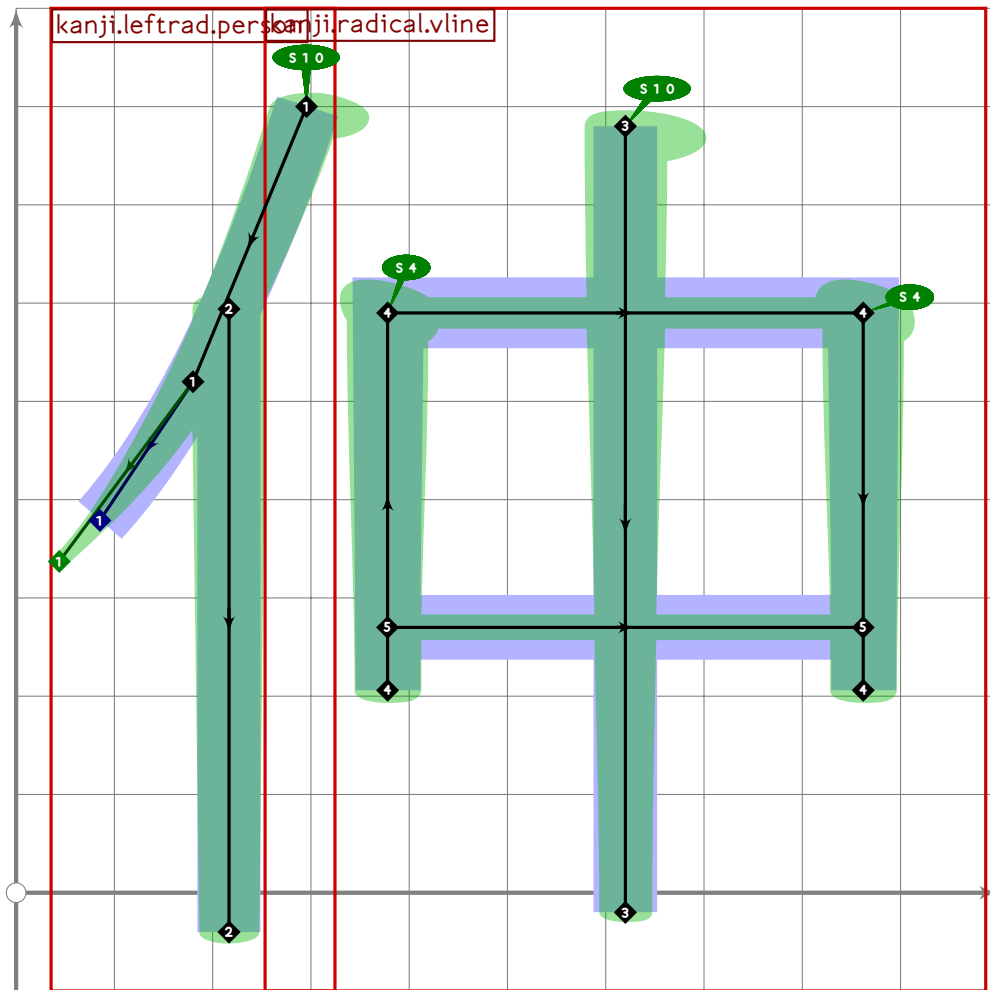
```



```

82
83 vardef tsu_curve.kanji.grsix.benevolence =
84   add_proof_box("kanji.grsix.benevolence");
85   build_kanji.lr(300,20)
86     (tsu_curve.kanji.leftrad.person)
87     (tsu_curve.kanji.grone.two);
88 enddef;
89
90

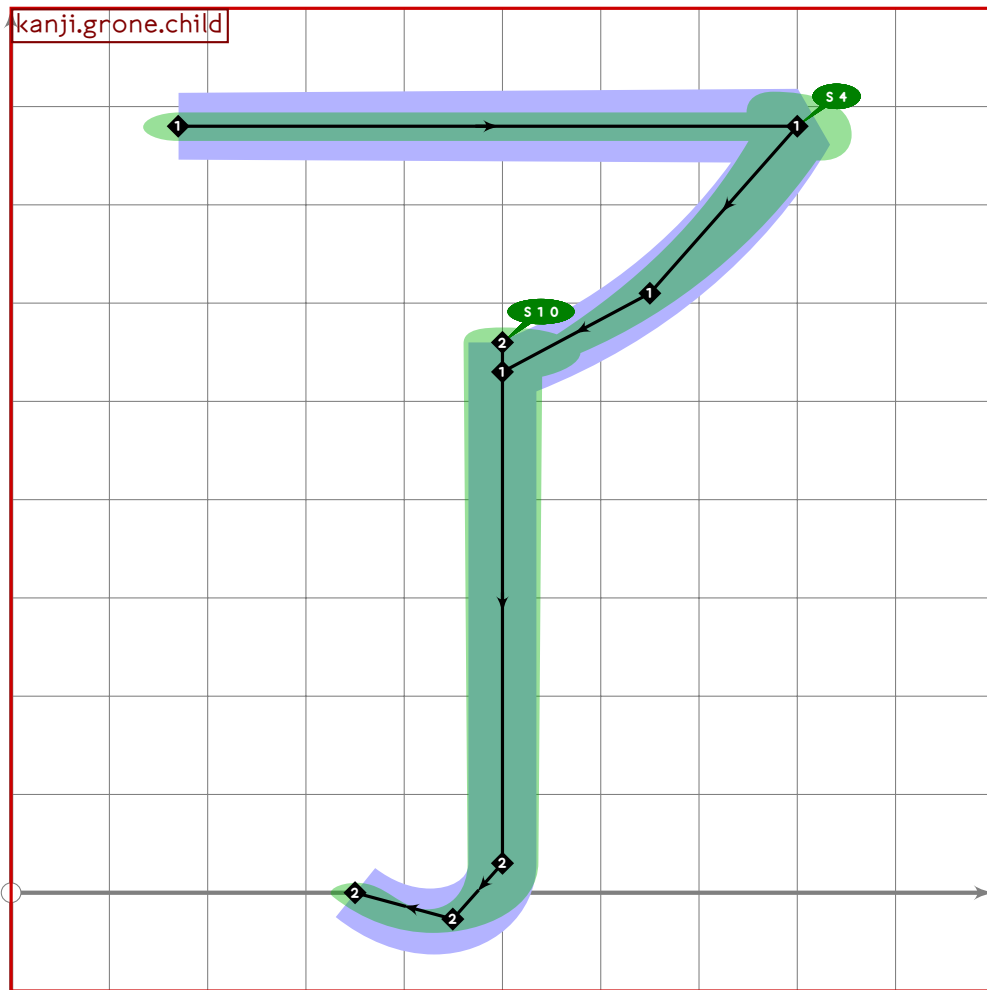
```



```

91
92 vardef tsu_curve.kanji.grfour.go_between =
93   add_proof_box("kanji.grfour.go_between");
94   build_kanji.lr(300,20)
95     (tsu_curve.kanji.leftrad.person)
96     (tsu_curve.kanji.grone.middle);
97 enddef;
98
99

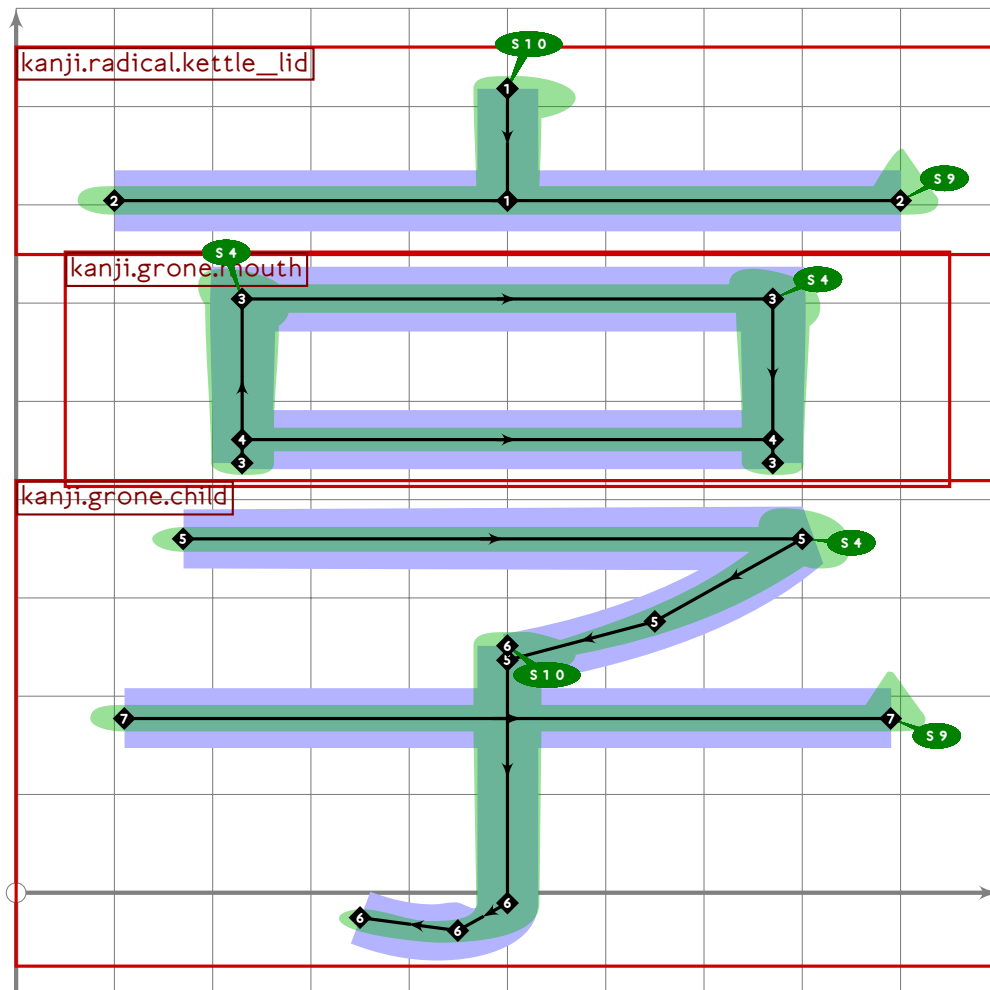
```



```

100
101 vardef tsu_curve.kanji.greight.completion =
102   add_proof_box("kanji.greight.completion");
103   tsu_curve.kanji.grone.child;
104   sp:=sp-1;
105   bo_serif[sp][1]:=whatever;
106 enddef;

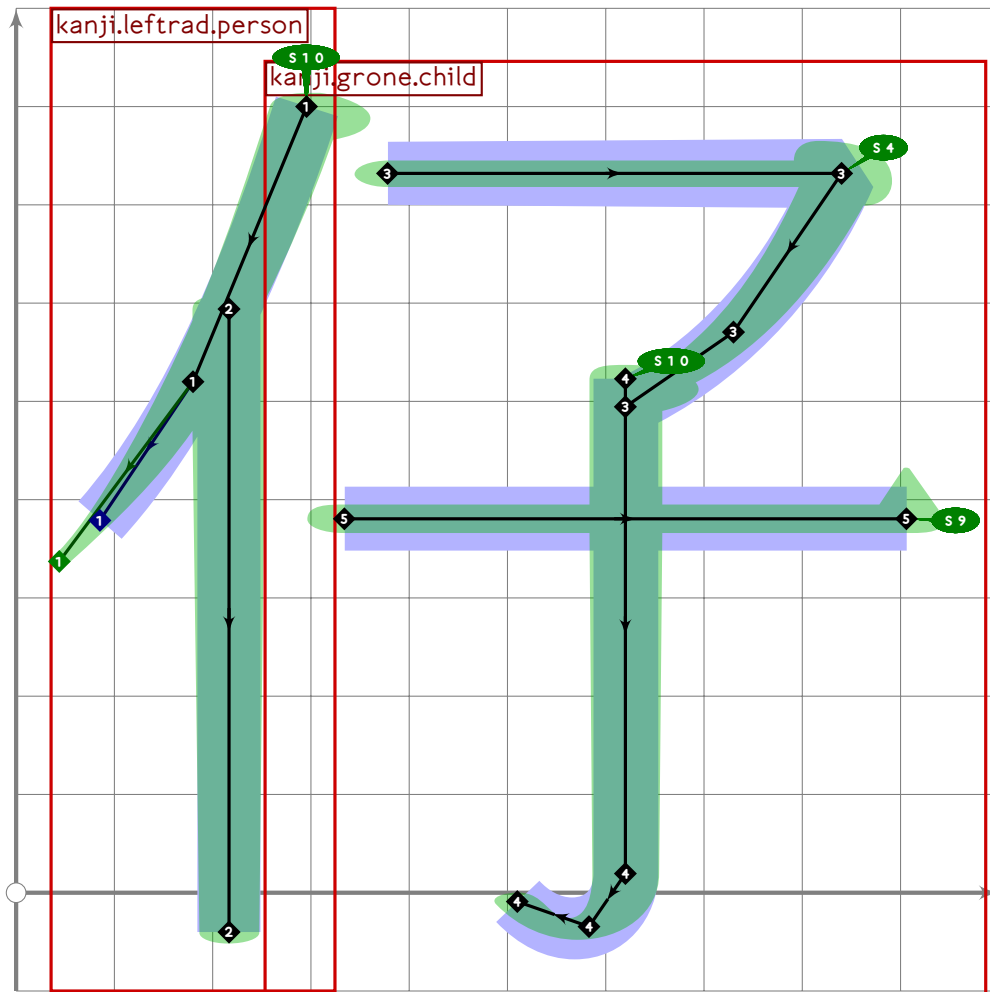
```



```

107
108 vardef tsu_curve.kanji.greight.undergo =
109   add_proof_box("kanji.greight.undergo");
110   build_kanji.level(build_kanji.tb(650,-20)
111     (tsu_curve.kanji.radical.kettle_lid)
112     (build_kanji.tb(550,-40)
113       (build_kanji.sscale(xscaled 0.9)(tsu_curve.kanji.grone.mouth))
114       (tsu_curve.kanji.grone.child)));
115 enddef;
116
117

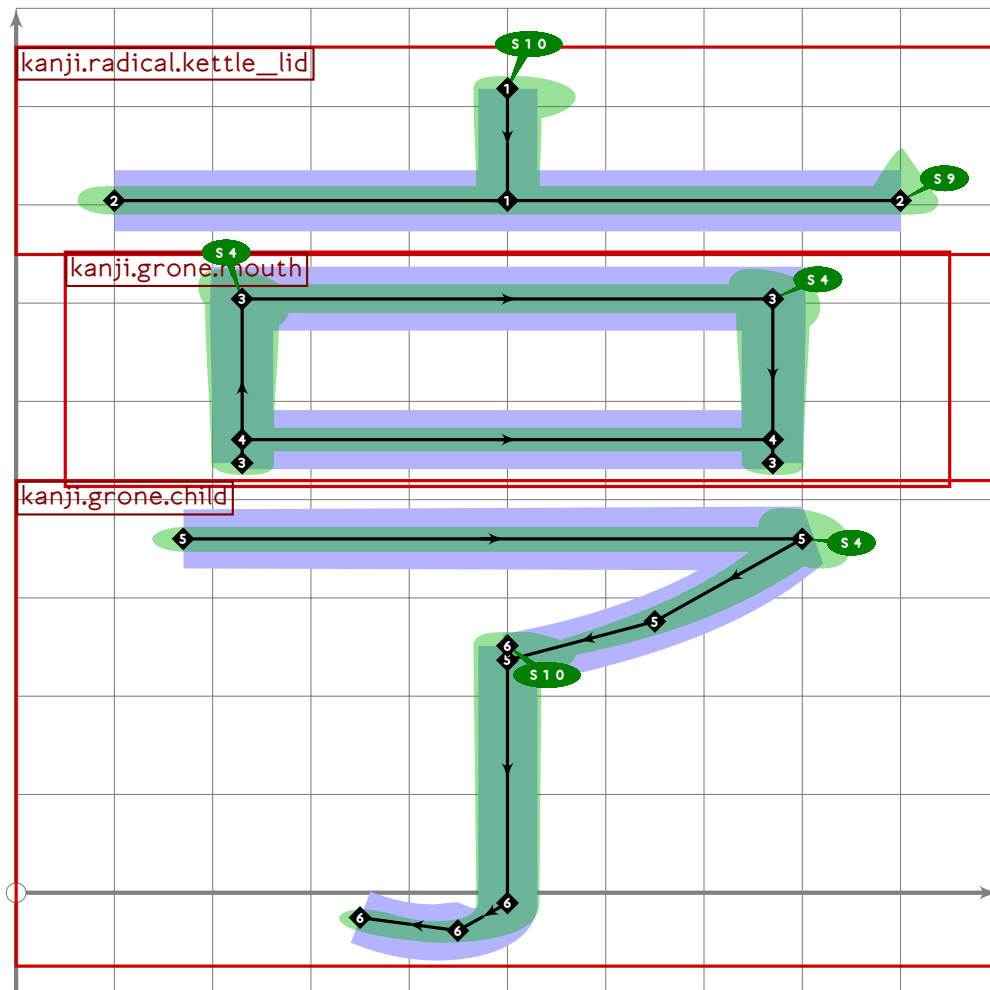
```



```

118
119 vardef tsu_curve.kanji.grnine.offspring =
120   add_proof_box("kanji.grnine.offspring");
121   build_kanji.level(build_kanji.lr(300,20)
122     (tsu_curve.kanji.leftrad.person)
123     (build_kanji.sscale(shifted (0;30) yscaled 0.95)
124       (tsu_curve.kanji.grone.child)));
125 enddef;

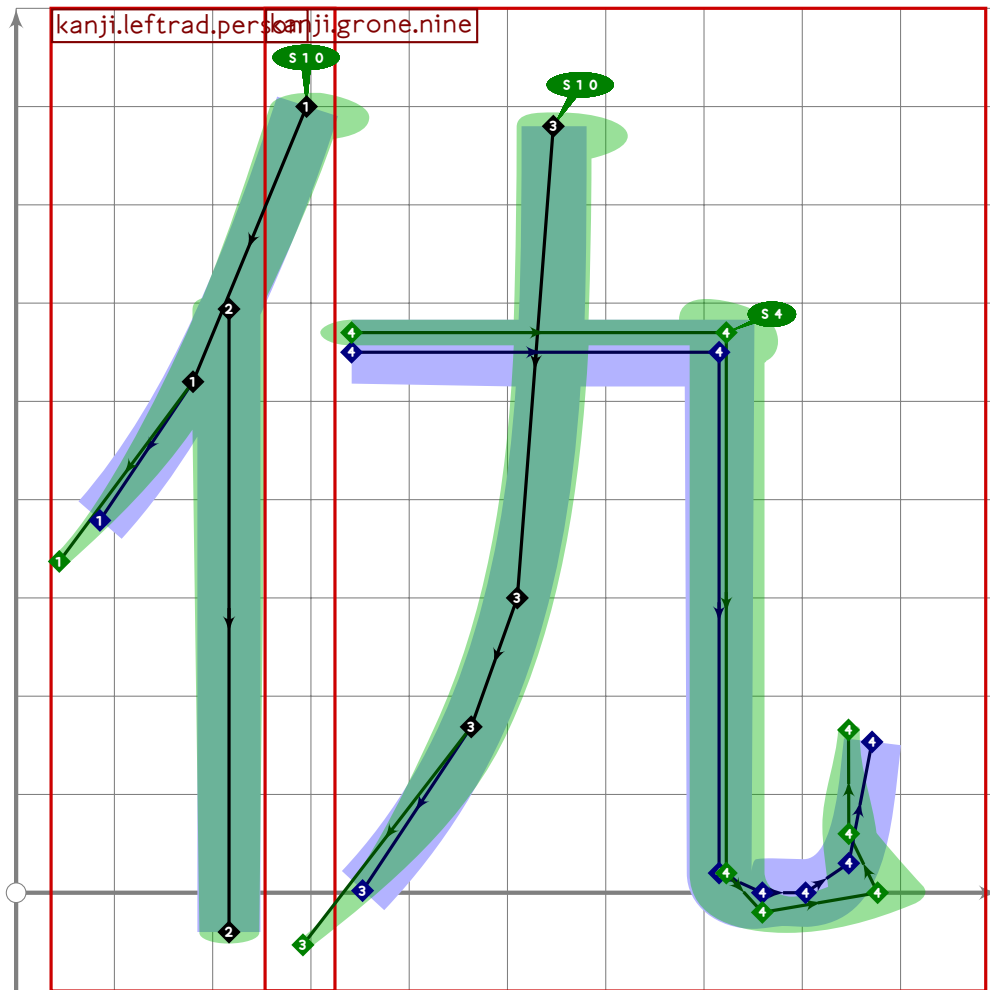
```



```

126
127 vardef tsu_curve.kanji.grnine.undergo =
128   add_proof_box("kanji.grnine.undergo");
129   build_kanji.level(build_kanji.tb(650,-20)
130     (tsu_curve.kanji.radical.kettle_lid)
131     (build_kanji.tb(550,-40)
132       (build_kanji.sscale(xscaled 0.9)(tsu_curve.kanji.grone.mouth))
133       (tsu_curve.kanji.greight.completion)));
134 enddef;
135
136

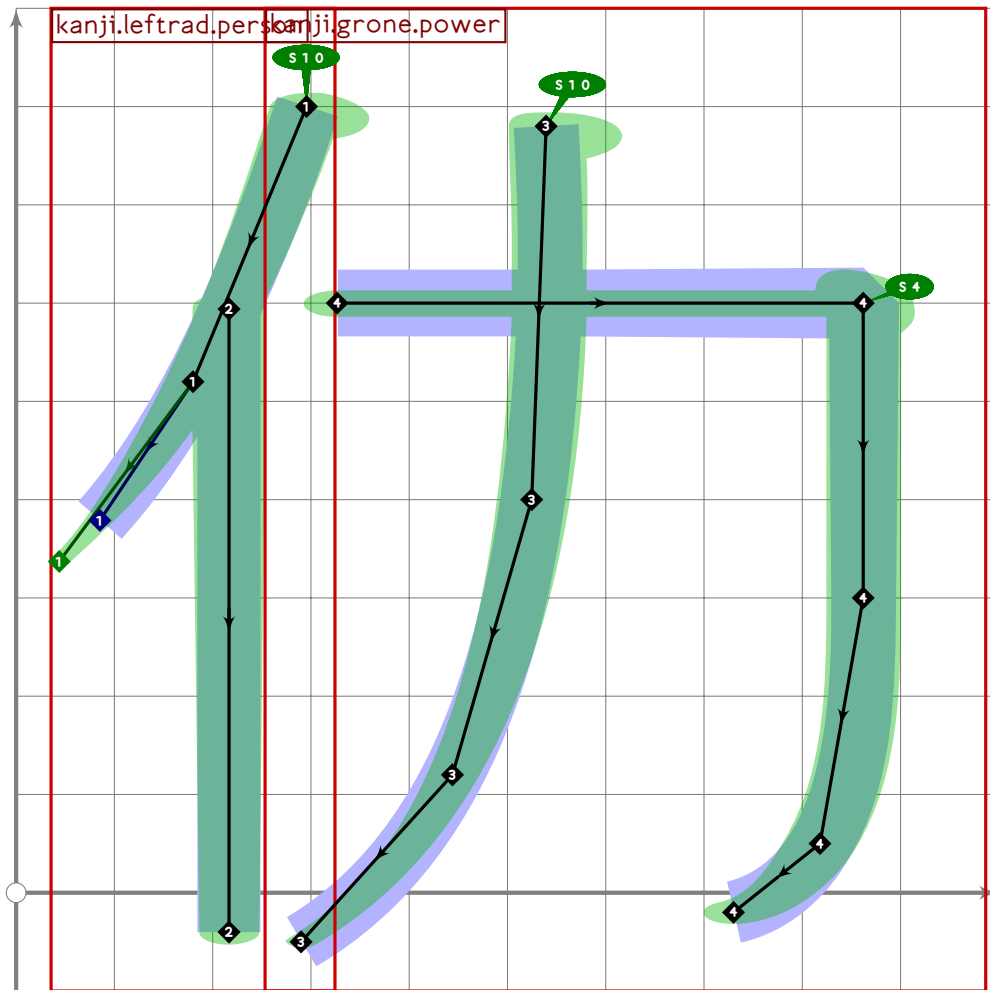
```



```

137
138 vardef tsu_curve.kanji.reference.enemy =
139   add_proof_box("kanji.reference.enemy");
140   build_kanji.lr(300,20)
141     (tsu_curve.kanji.leftrad.person)
142     (tsu_curve.kanji.grone.nine);
143 enddef;
144
145

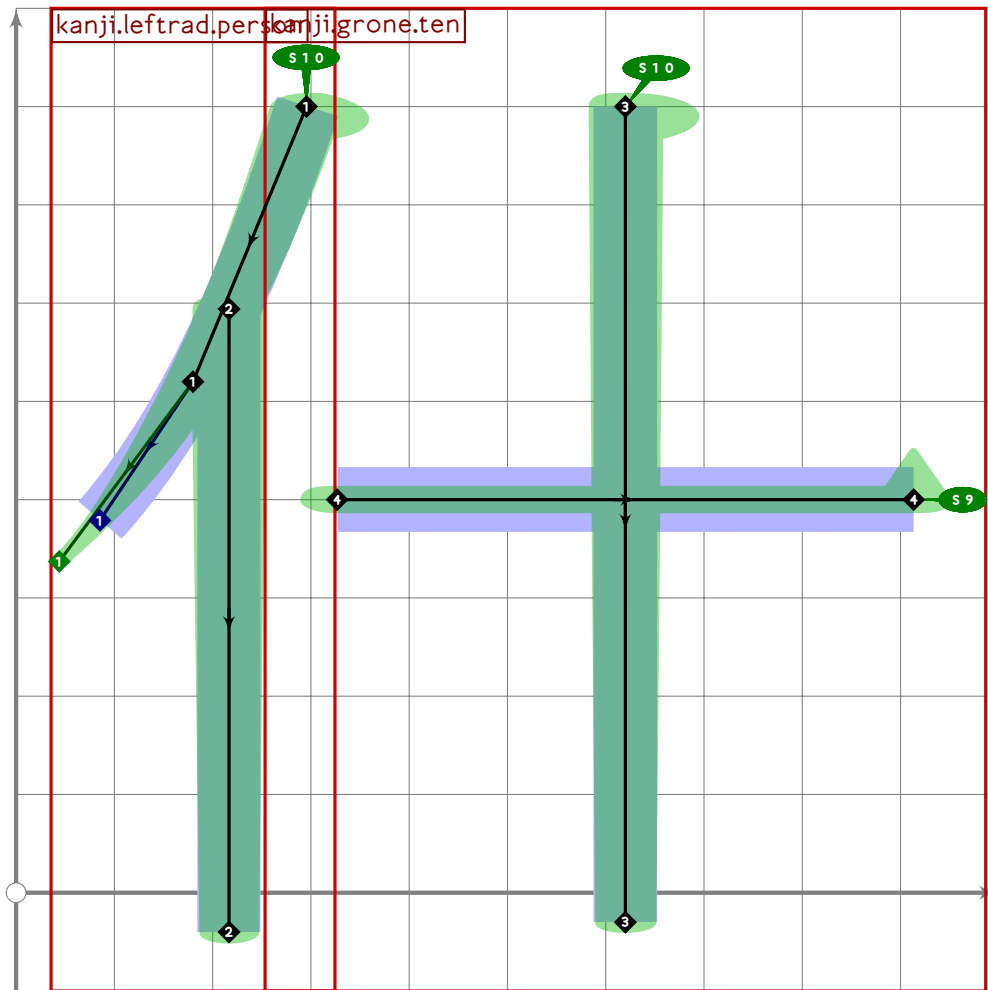
```

```

146
147 vardef tsu_curve.kanji.rare.surplus =
148   add_proof_box("kanji.rare.surplus");
149   build_kanji.lr(300,20)
150     (tsu_curve.kanji.leftrad.person)
151     (tsu_curve.kanji.grone.power);
152 enddef;

```



```

153
154 vardef tsu_curve.kanji.rare.utensil =
155   add_proof_box("kanji.rare.utensil");
156   build_kanji.lr(300,20)
157     (tsu_curve.kanji.leftrad.person)
158     (tsu_curve.kanji.grone.ten);
159 enddef;

```

```

160
161

```

```

162
163 % ichi/hito "one"
164 begintsuglyph("uni4E00",0); [see page 344]
165   tsu_curve.kanji.grone.one;
166   tsu_render;
167 endsuglyph;

```

```

168
169 % chuu/hinoto: "street"; "counter for leaves or guns"; "fourth zodiac sign"
170 % Uwaa ! Skala-sensei, I don't *want* to stick a thumbtack in my wrist!
171 begintsuglyph("uni4E01",1); [see page 383]
172   tsu_curve.kanji.grthree.thumbtack;
173   tsu_render;

```

```

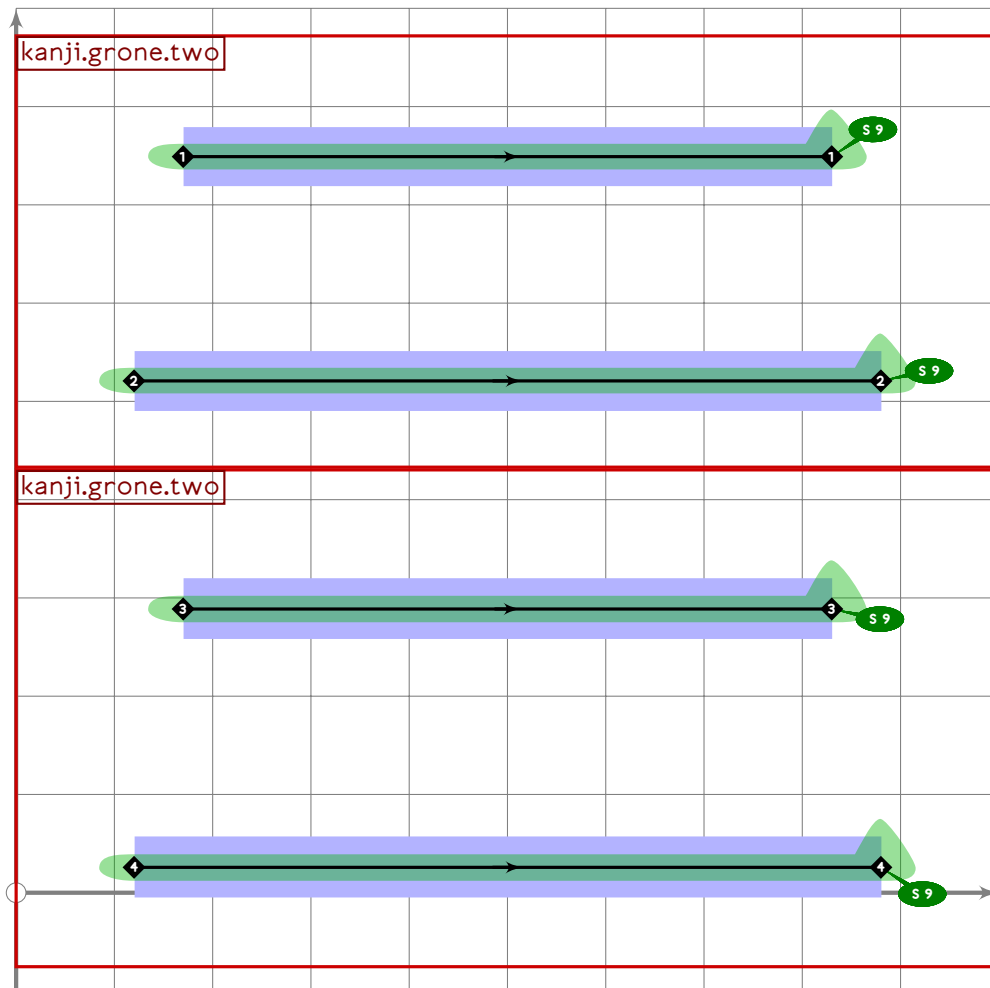
174 endtsuglyph;
175
176 % nana/shichi "seven"
177 begintsuglyph("uni4E03";3); [see page 351]
178 tsu_curve.kanji.grone.seven;
179 tsu_render;
180 endtsuglyph;
181
182 % man/yorozu "myriad"
183 begintsuglyph("uni4E07";7); [see page 1116]
184 tsu_curve.kanji.grtwo.myriad;
185 tsu_render;
186 endtsuglyph;
187
188 % san/mi "three"
189 begintsuglyph("uni4E09";9); [see page 357]
190 tsu_curve.kanji.grone.three;
191 tsu_render;
192 endtsuglyph;
193
194 % ue/jyou "up"
195 begintsuglyph("uni4EOA";10); [see page 359]
196 tsu_curve.kanji.grone.up;
197 tsu_render;
198 endtsuglyph;
199
200 % shita/ka "down"
201 begintsuglyph("uni4EOB";11); [see page 323]
202 tsu_curve.kanji.grone.down;
203 tsu_render;
204 endtsuglyph;
205
206 % naka/chuu "middle"
207 begintsuglyph("uni4E2D";45); [see page 1115]
208 tsu_curve.kanji.grone.middle;
209 tsu_render;
210 endtsuglyph;
211
212 % maru "circle"
213 begintsuglyph("uni4E38";56); [see page 366]
214 tsu_curve.kanji.grtwo.circle;
215 tsu_render;
216 endtsuglyph;
217
218 % sa/naga "notwithstanding" (needed for tsuku "make")
219 begintsuglyph("uni4E4D";77); [see page 396]
220 tsu_curve.kanji.rare.notwithstanding;
221 tsu_render;

```

```

222 endtsuglyph;
223
224 % kyuu/kokono "nine"
225 begintsuglyph("uni4E5D";93); [see page 343]
226 tsu_curve.kanji.grone.nine;
227 tsu_render;
228 endtsuglyph;
229
230 % ryou "completion"
231 begintsuglyph("uni4E86";134); [see page 1120]
232 tsu_curve.kanji.greight.completion;
233 tsu_render;
234 endtsuglyph;
235
236 % ni/futa "two"
237 begintsuglyph("uni4E8C";140); [see page 358]
238 tsu_curve.kanji.grone.two;
239 tsu_render;
240 endtsuglyph;
241
242 % un/i "say"
243 begintsuglyph("uni4E91";145); [see page 393]
244 tsu_curve.kanji.grnine.declaim;
245 tsu_render;
246 endtsuglyph;
247
248 % go/itsu "five"
249 begintsuglyph("uni4E94";148); [see page 331]
250 tsu_curve.kanji.grone.five;
251 tsu_render;
252 endtsuglyph;
253

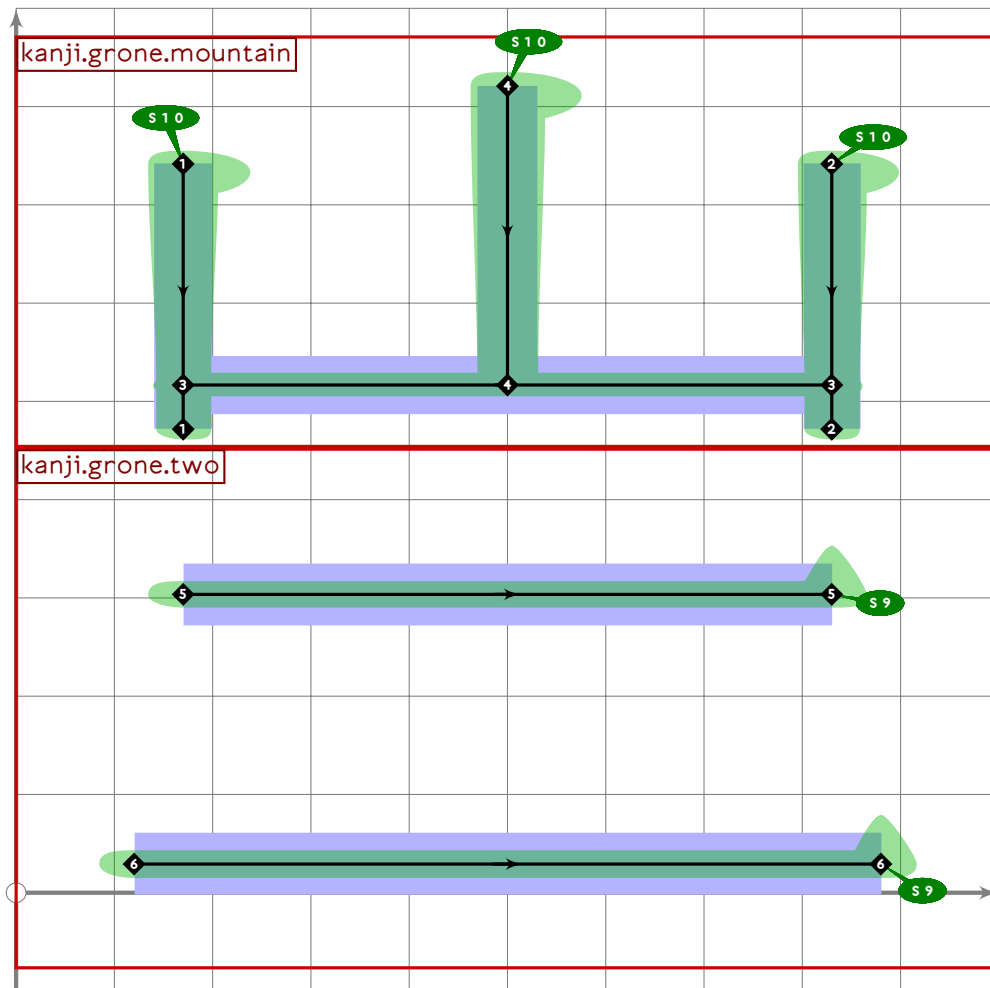
```



```

254 % extra
255 begint Suglyph("uni4E96",150);
256 build_kanji.tb(430,50)
257 (tsu_curve.kanji.grone.two)
258 (tsu_curve.kanji.grone.two);
259 tsu_render;
260 endtsuglyph;
261

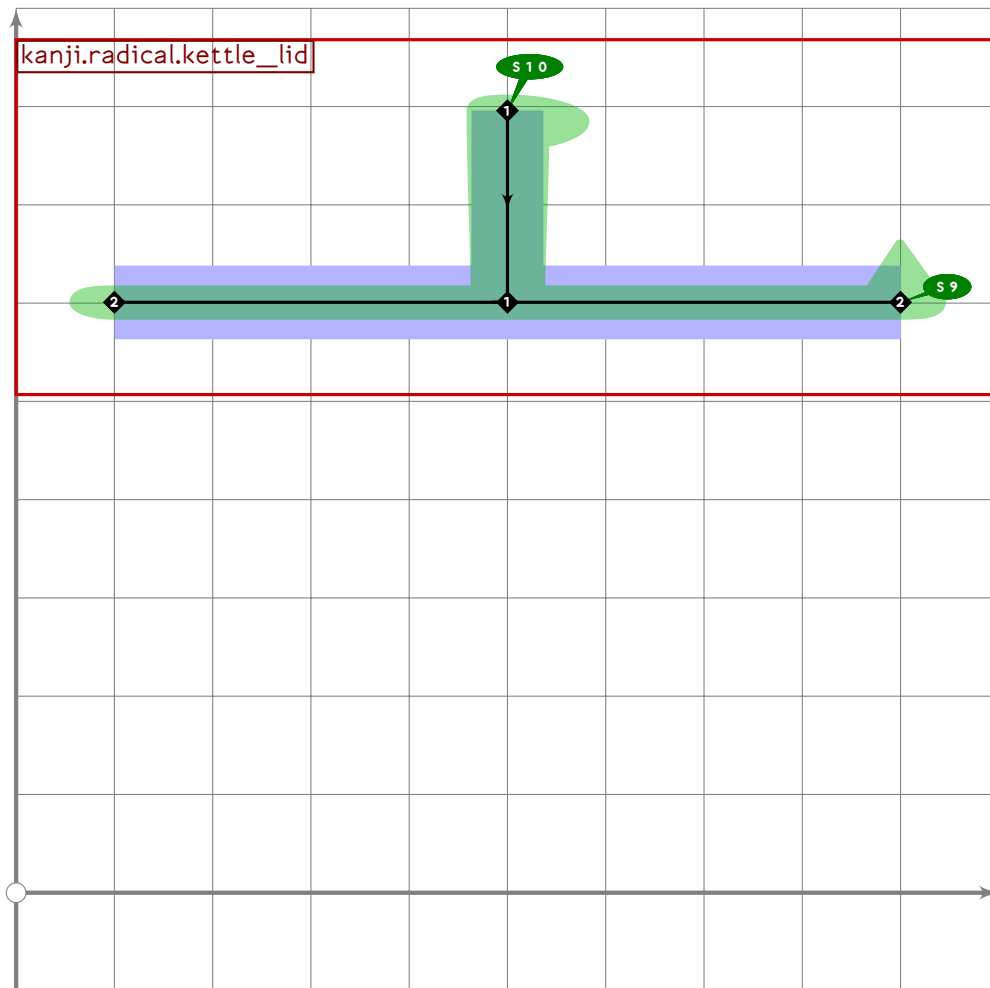
```



```

262 % extra
263 begint Suglyph("uni4E97",151);
264 build_kanji.tb(450,-50)
265 (tsu_curve.kanji.grone.mountain)
266 (tsu_curve.kanji.grone.two);
267 tsu_render;
268 endtsuglyph;
269

```



```

270 % "kettle lid radical"
271 begintsuglyph("uni4EA0";160);
272 build_kanji.tb(500;50)
273   (tsu_curve.kanji.radical.kettle_lid)
274   ();
275   tsu_render;
276 endtsuglyph;
277
278 % kou/maji "mix"
279 begintsuglyph("uni4EA4";164);
280   tsu_curve.kanji.grtwo.mix;
281   tsu_render;
282 endtsuglyph;
283
284 % kou "undergo" (rarer form)
285 begintsuglyph("uni4EA8";168);
286   tsu_curve.kanji.grnine.undergo;
287   tsu_render;
288 endtsuglyph;
289
290 % kyou "undergo" (more common form)

```

[see page 374]

[see page 1123]

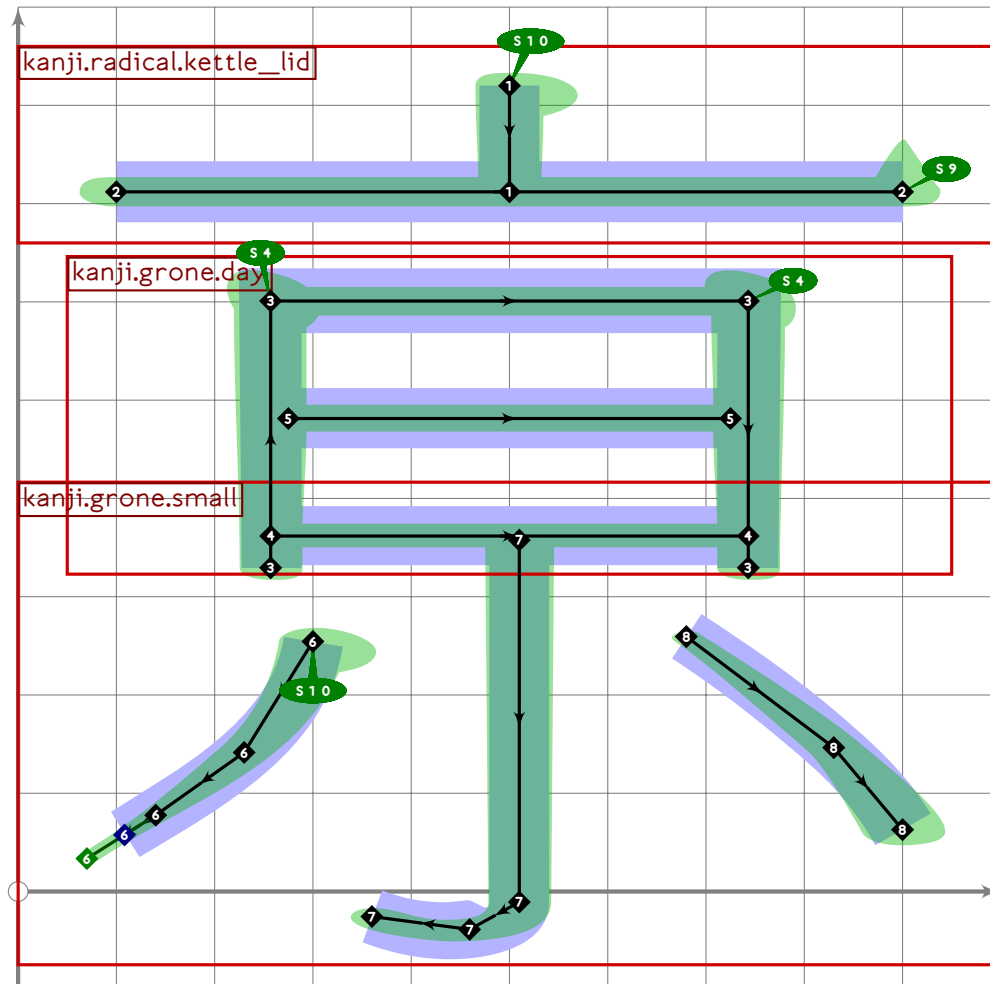
```

291 begintsuglyph("uni4EAB";171);
292 tsu_curve.kanji.greight.undergo;
293 tsu_render;
294 endtsuglyph;
295
296 % kyou "capital"
297 begintsuglyph("uni4EAC";172);
298 tsu_curve.kanji.grtwo.capital;
299 tsu_render;
300 endtsuglyph;
301

```

[see page 1121]

[see page 1117]



```

302 % extra "capital"
303 begintsuglyph("uni4EB0";176);
304 build_kanji.level(build_kanji.tb(650,-40)
305 (tsu_curve.kanji.radical.kettle_lid)
306 (build_kanji.tb(500,70)
307 (build_kanji.sscale(xscaled 0.9)(tsu_curve.kanji.grone.day))
308 (tsu_curve.kanji.grone.small)));
309 bo_serif[sp-2][0]:=whatever;
310 tsu_render;
311 endtsuglyph;

```

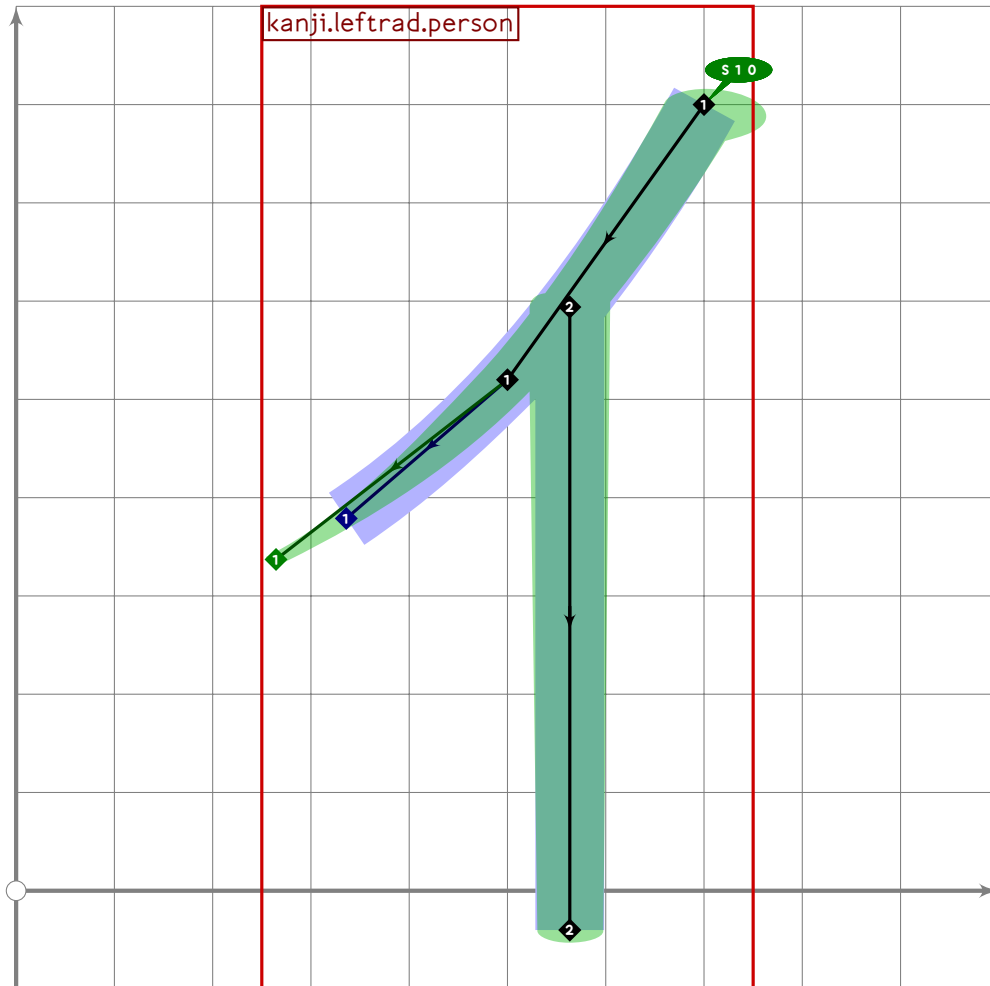


```

312
313 % hito/jin "person"
314 begintsuglyph("uni4EBA";186);
315   tsu_curve.kanji.grone.person;
316   tsu_render;
317 endtsuglyph;
318

```

[see page 347]



```

319 % hito/jin "person" as radical
320 begintsuglyph("uni4EBB";187);
321   build_kanji.sscale(xscaled 0.5)(tsu_curve.kanji.leftrad.person);
322   tsu_render;
323 endtsuglyph;
324
325 % juu "utensil"
326 begintsuglyph("uni4EC0";192);
327   tsu_curve.kanji.rare.utensil;
328   tsu_render;
329 endtsuglyph;
330
331 % jin "benevolence"
332 begintsuglyph("uni4EC1";193);

```

[see page 1126]

[see page 1118]

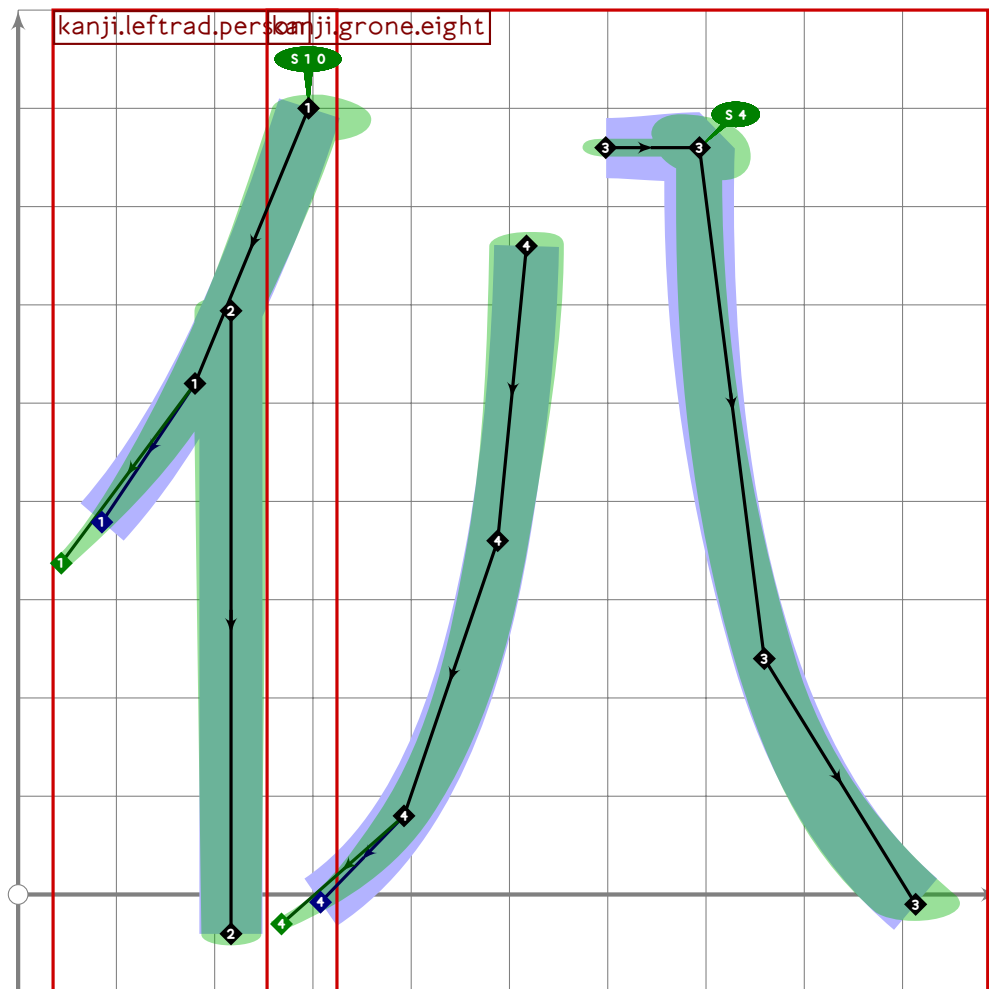
```

333 tsu_curve.kanji.grsix.benevolence;
334 tsu_render;
335 endsuglyph;
336
337 % "surplus or excess"
338 begintsuglyph("uni4EC2";194);
339 tsu_curve.kanji.rare.surplus;
340 tsu_render;
341 endsuglyph;
342
343 % ada "enemy"
344 begintsuglyph("uni4EC7";199);
345 tsu_curve.kanji.reference.enemy;
346 tsu_render;
347 endsuglyph;
348

```

[see page 1125]

[see page 1124]



```

349 % extra
350 begintsuglyph("uni4EC8";200);
351 build_kanji.lr(300,20)
352 (tsu_curve.kanji.leftrad.person)
353 (tsu_curve.kanji.grone.eight);

```

```

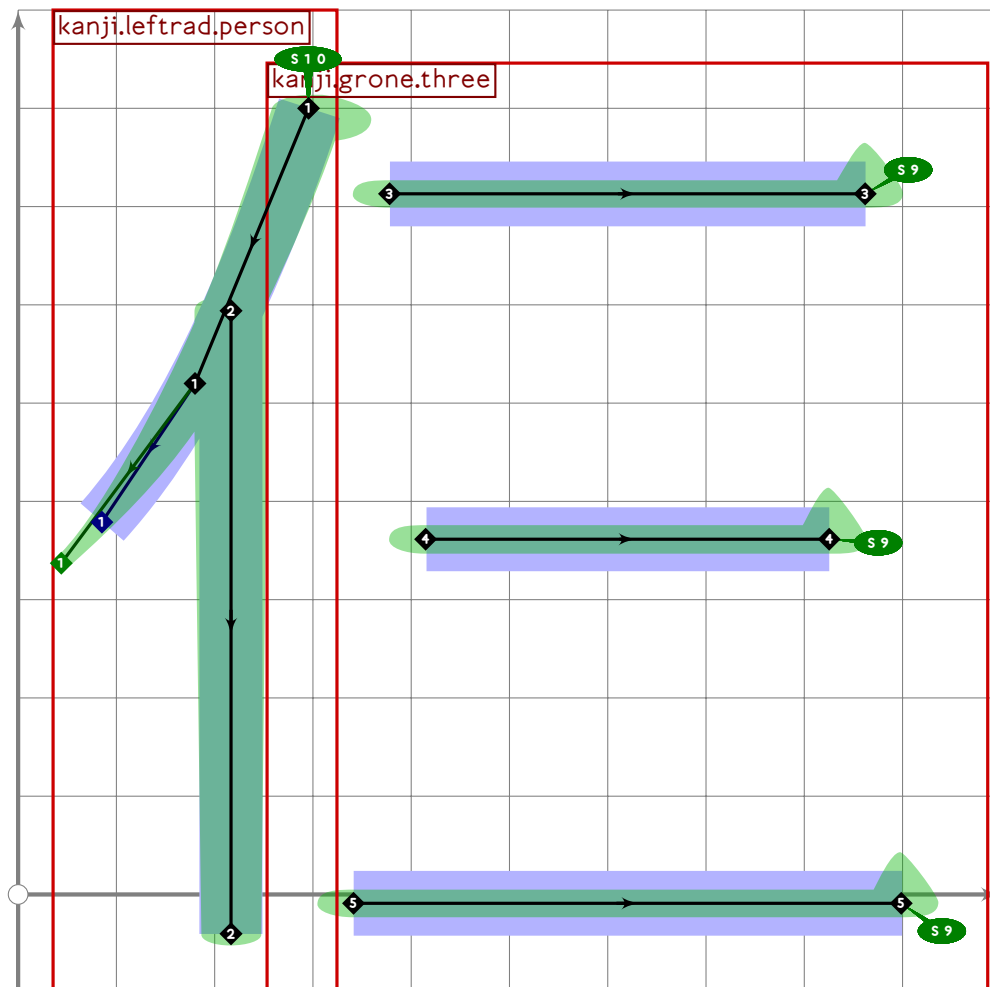
354 tsu_render;
355 endtsuglyph;
356
357 % ko "offspring"
358 begintsuglyph("uni4ED4";212);
359 tsu_curve.kanji.grnine.offspring;
360 tsu_render;
361 endtsuglyph;
362
363 % fu/tsu "attach"
364 begintsuglyph("uni4ED8";216);
365 tsu_curve.kanji.grfour.attach;
366 tsu_render;
367 endtsuglyph;
368
369 % sen "wizard"
370 begintsuglyph("uni4ED9";217);
371 tsu_curve.kanji.greight.wizard;
372 tsu_render;
373 endtsuglyph;
374

```

[see page 1122]

[see page 384]

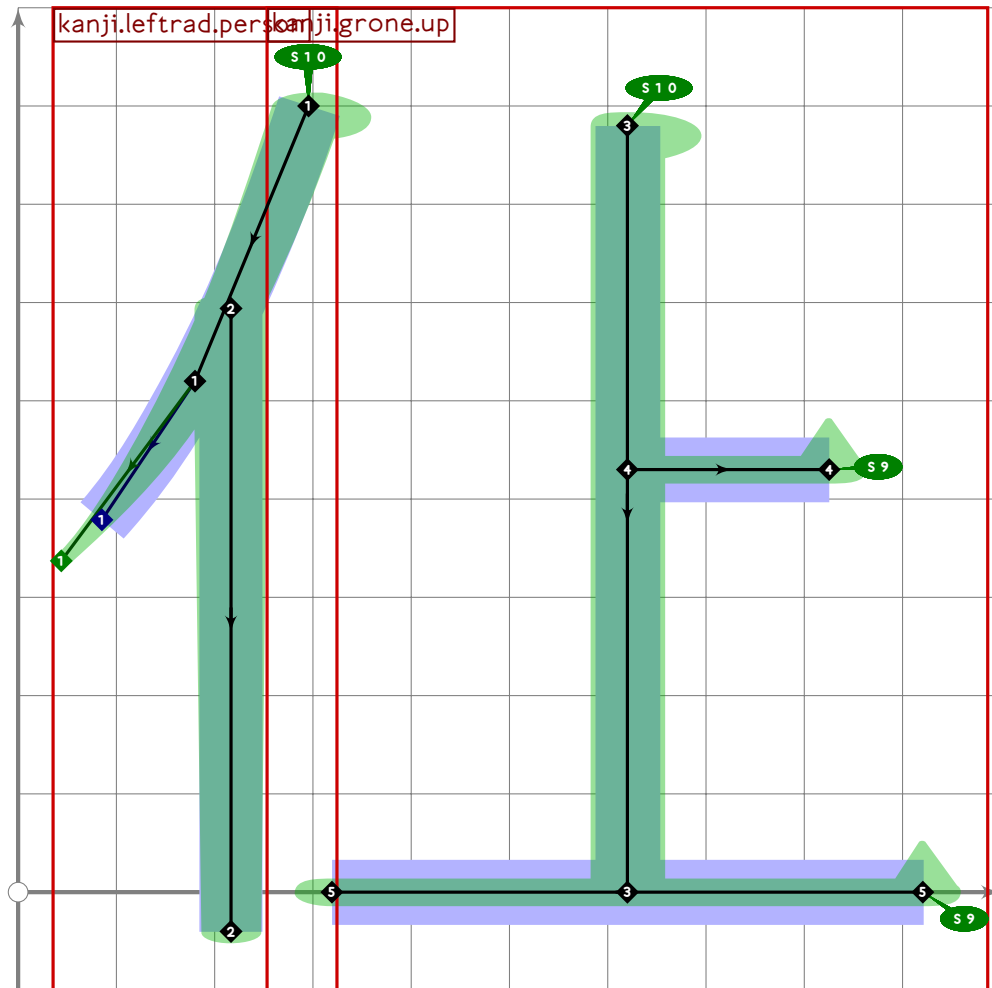
[see page 392]



```

375 % extra
376 begintsuglyph("uni4EE8";232);
377 build_kanji.lr(300,20)
378   (tsu_curve.kanji.leftrad.person)
379   (build_kanji.sscale(shifted (0,-30) yscaled 0.95)
380     (tsu_curve.kanji.grone.three));
381 tsu_render;
382 endsuglyph;
383

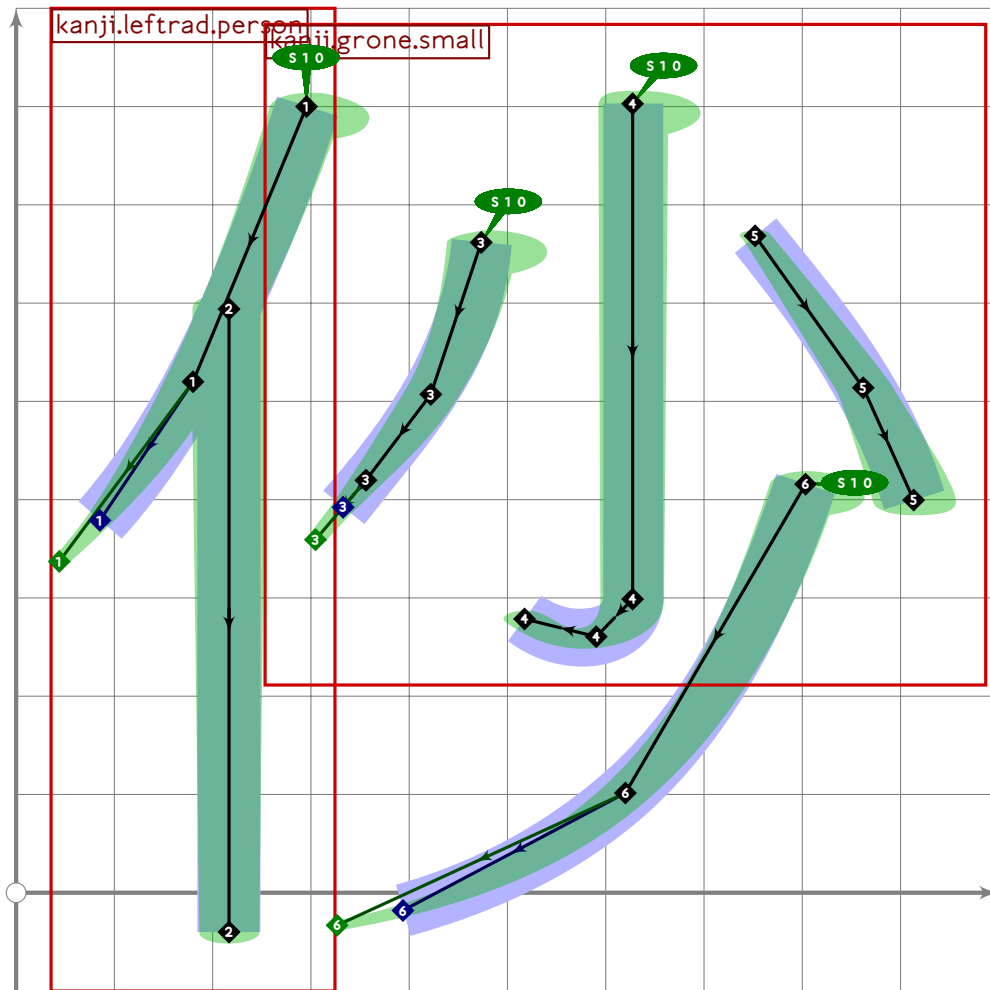
```



```

384 % extra
385 begintsuglyph("uni4EE9";233);
386 build_kanji.lr(300,20)
387   (tsu_curve.kanji.leftrad.person)
388   (tsu_curve.kanji.grone.up);
389 tsu_render;
390 endsuglyph;
391

```

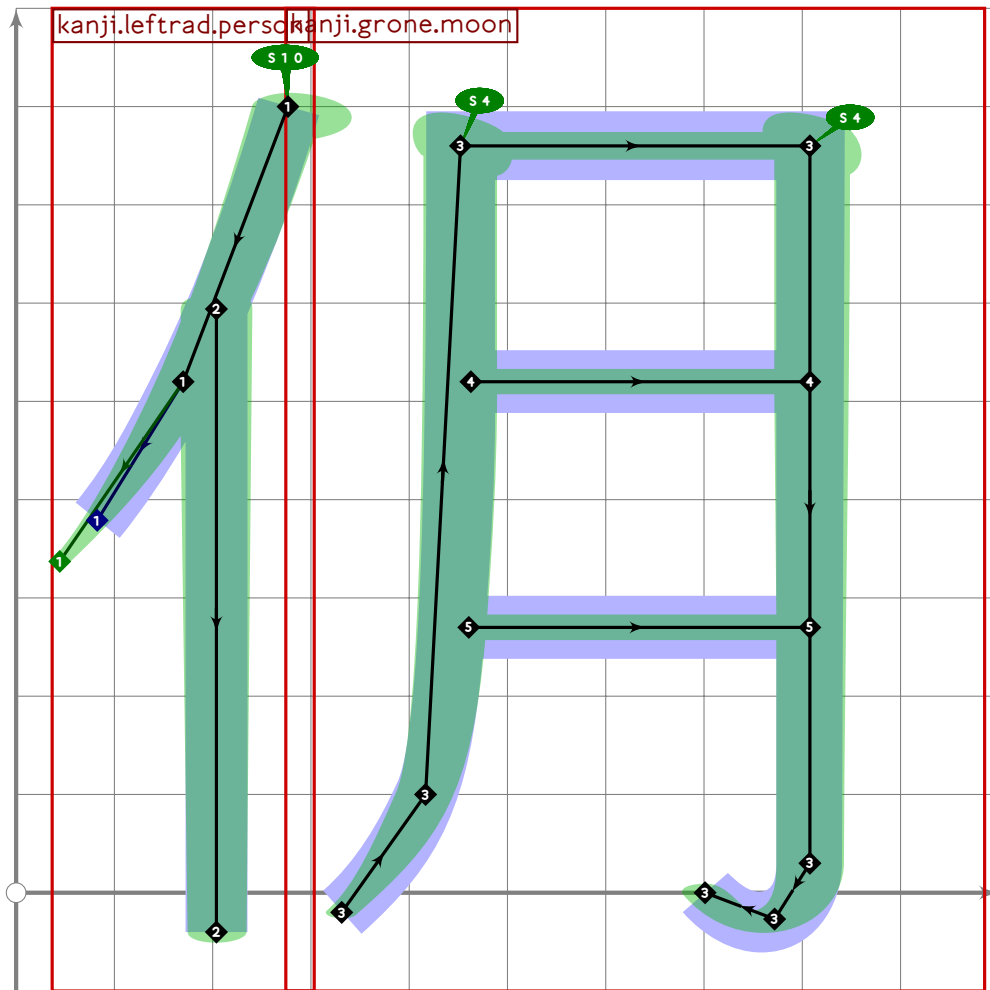


```

392 % extra
393 begintsuglyph("uni4EEF",239);
394 build_kanji.lr(300,20)
395   (tsu_curve.kanji.leftrad.person)
396   (tsu_curve.kanji.grtwo.little);
397   tsu_render;
398 endtsuglyph;
399
400 % naka/chuu "go-between"
401 begintsuglyph("uni4EF2",242);
402   tsu_curve.kanji.grfour.go_between;
403   tsu_render;
404 endtsuglyph;
405

```

[see page 1119]



```

406 % extra
407 begint Suglyph("uni4EF4";244);
408   build_kanji.lr(300,20)
409     (tsu_curve.kanji.leftrad.person)
410     (tsu_curve.kanji.grone.moon);
411   tsu_render;
412 endsuglyph;
413
414 _____
415
416 endfont;
417
418 _____

```

tsuku-4f.mp

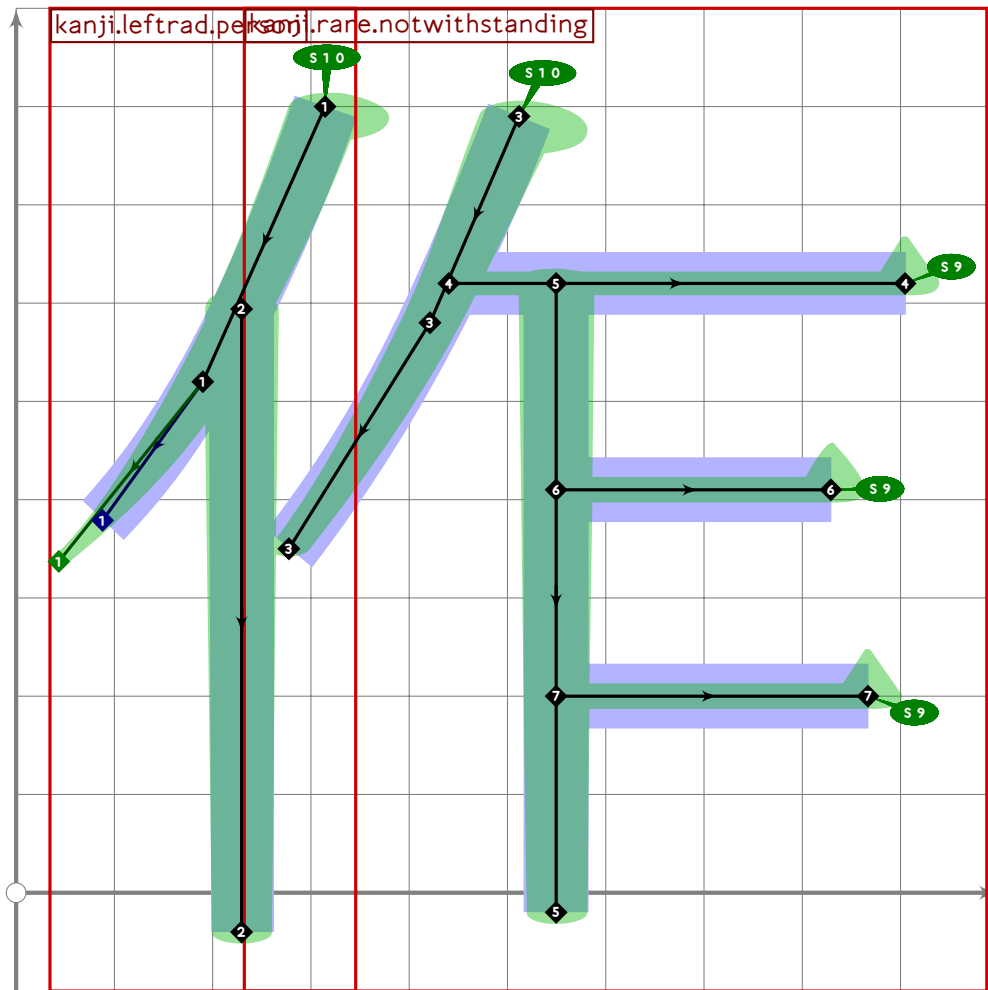
```
1 %
2 % Unicode page 4f (Kanji) for Tsukurimashou
3 % Copyright (C) 2011 Matthew Skala
4 %
5-29 [Standard copyright notice]
30
31 

---


32
33 beginfont
34
35 % AUTODEPS
36 input buildkanji.mp;
37 input gradefive.mp;
38 input gradefour.mp;
39 input gradenine.mp;
40 input gradeone.mp;
41 input gradethree.mp;
42 input gradetwo.mp;
43 input leftrad.mp;
44 input radical.mp;
45 input rare.mp;
46
47 

---

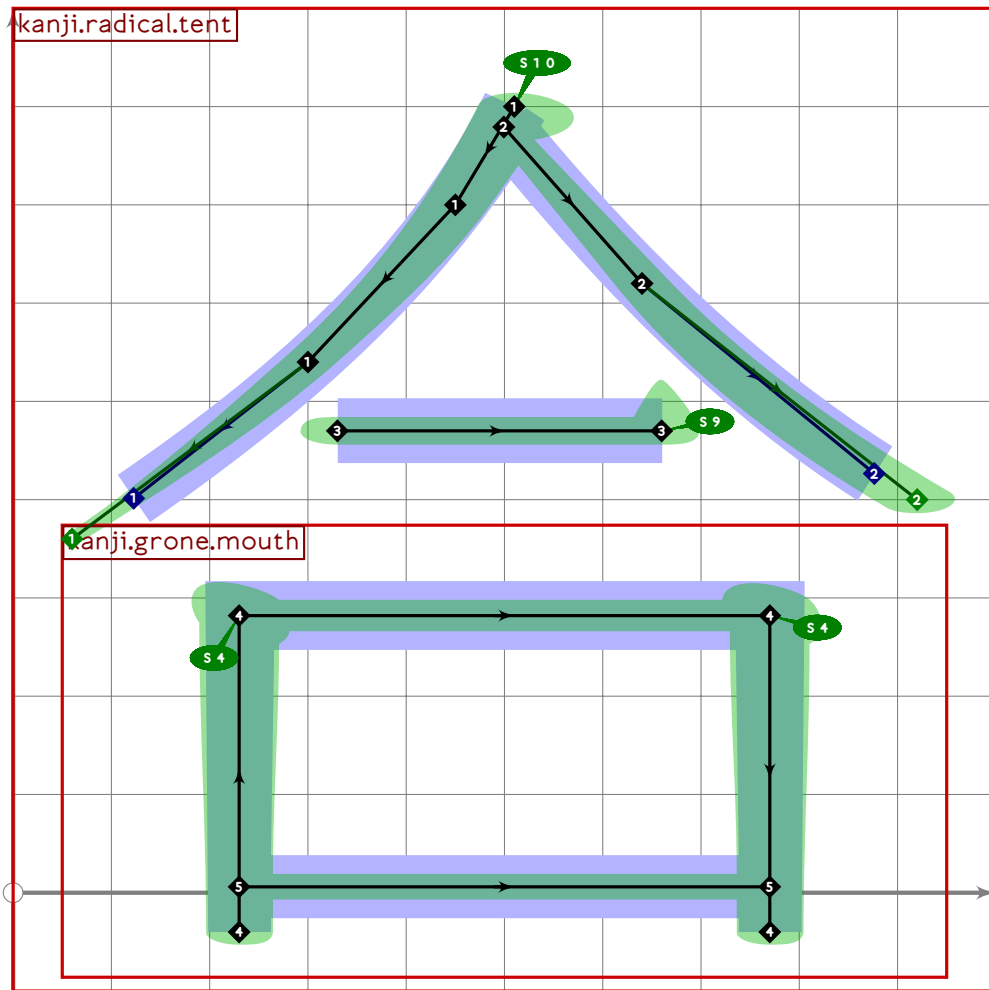

```



```

48
49 vardef tsu_curve.kanji.grtwo.make =
50   add_proof_box("kanji.grtwo.make");
51   build_kanji.lr(300,60)
52     (tsu_curve.kanji.leftrad.person)
53     (tsu_curve.kanji.rare.notwithstanding);
54 enddef;

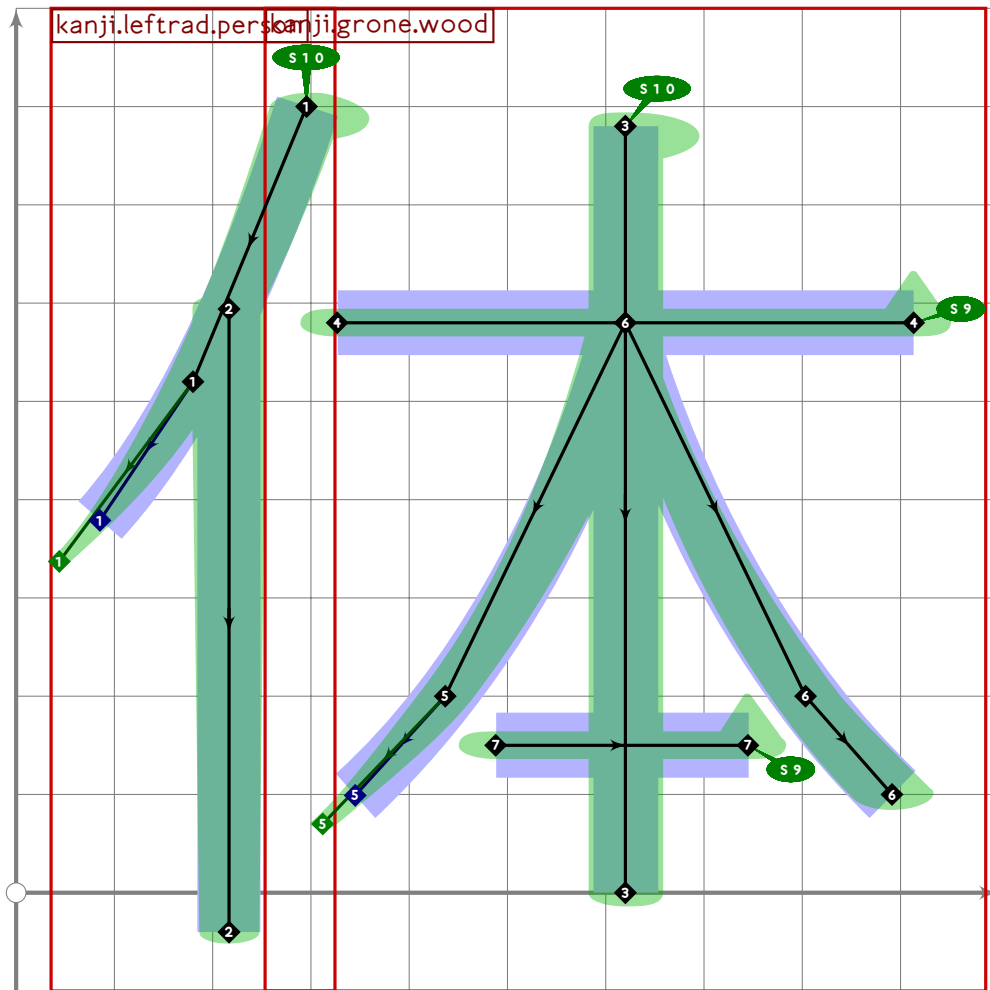
```

```

55
56 vardef tsu_curve.kanji.grtwo.meet =
57   add_proof_box("kanji.grtwo.meet");
58   build_kanji.level(
59     tsu_curve.kanji.radical.tent;
60     tsu_xform(identity yscaled 0.37)(tsu_curve.kanji.radical.mu_bar);
61   );
62 enddef;

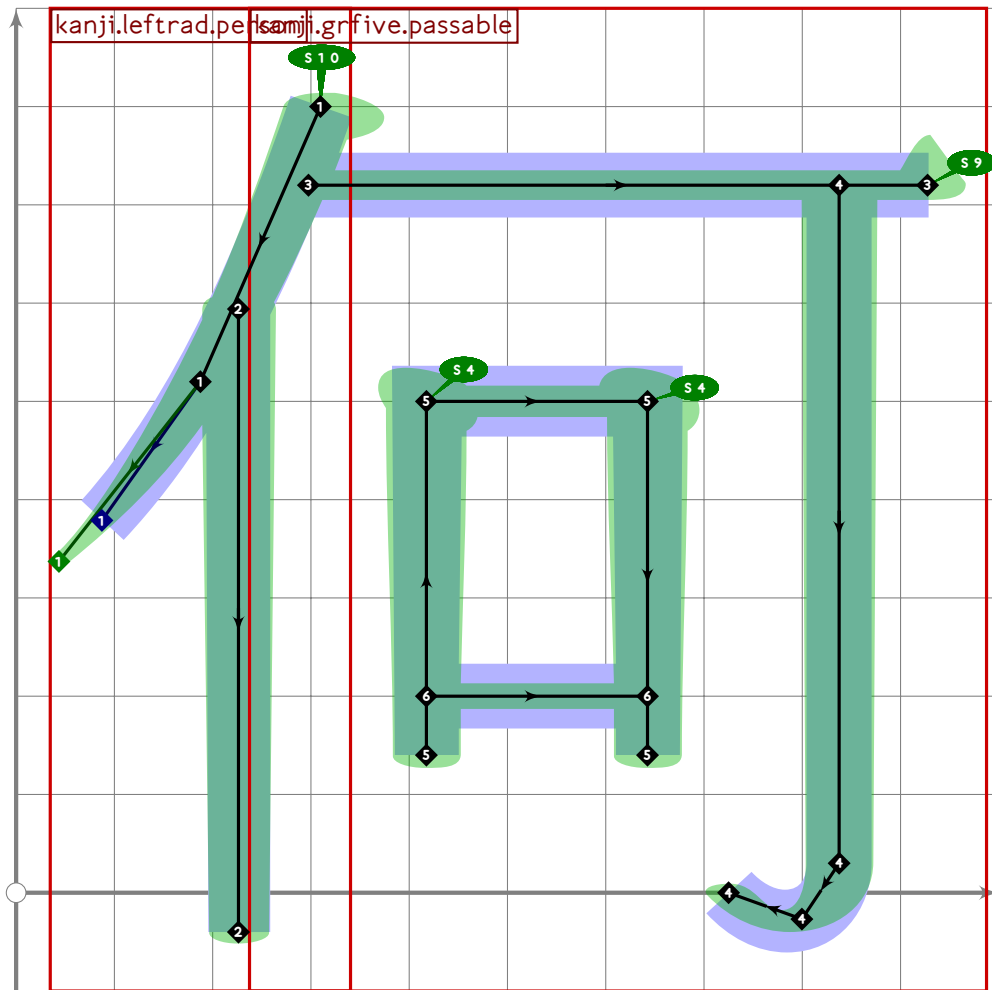
```



```

63
64 vardef tsu_curve.kanji.grtwo.substance =
65   add_proof_box("kanji.grtwo.substance");
66   build_kanji.lr(300,20)
67     (tsu_curve.kanji.leftrad.person)
68     (tsu_curve.kanji.grone.book);
69 enddef;

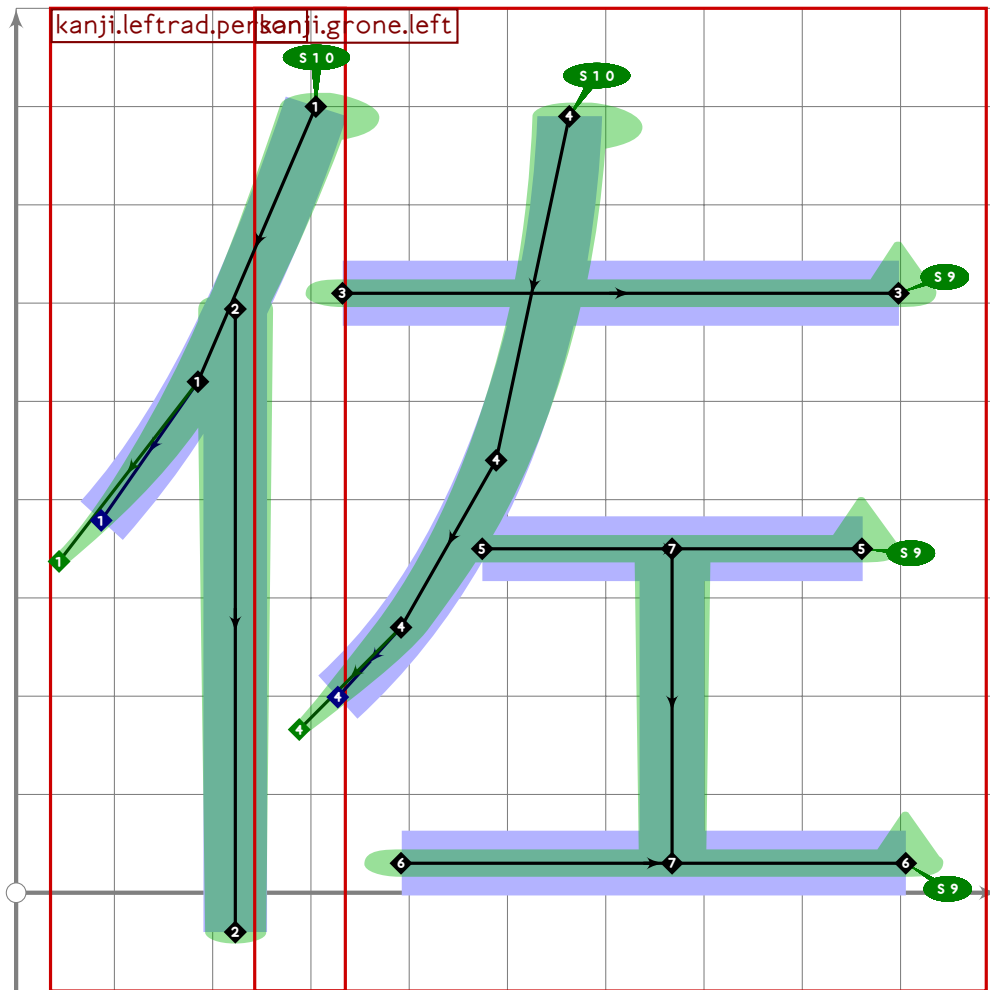
```



```

70
71 vardef tsu_curve.kanji.grtwo.what =
72   add_proof_box("kanji.grtwo.what");
73   build_kanji.lr(300,50)
74     (tsu_curve.kanji.leftrad.person)
75     (tsu_curve.kanji.grfive.passable);
76 enddef;
77
78

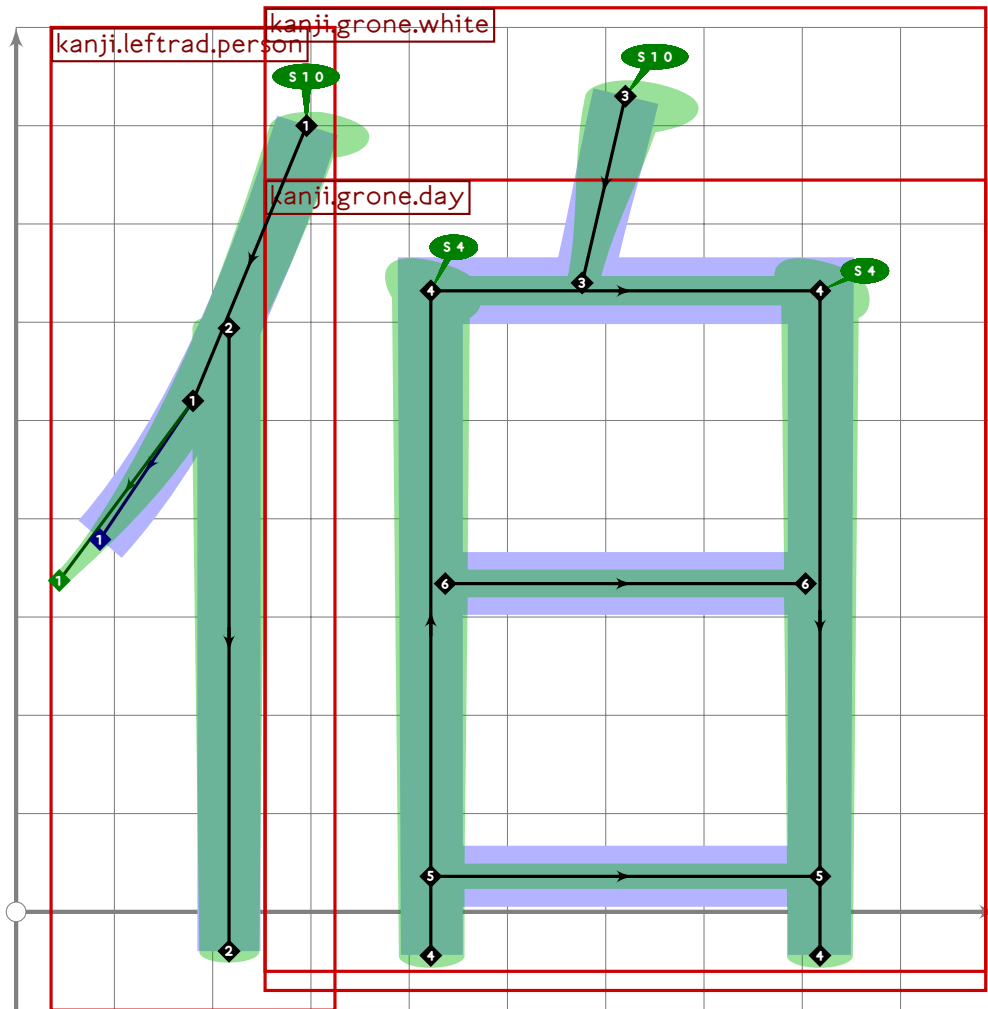
```



```

79
80 vardef tsu_curve.kanji.greight.assistant =
81   add_proof_box("kanji.greight.assistant");
82   build_kanji.lr(300,40)
83     (tsu_curve.kanji.leftrad.person)
84     (tsu_curve.kanji.grone.left);
85 enddef;

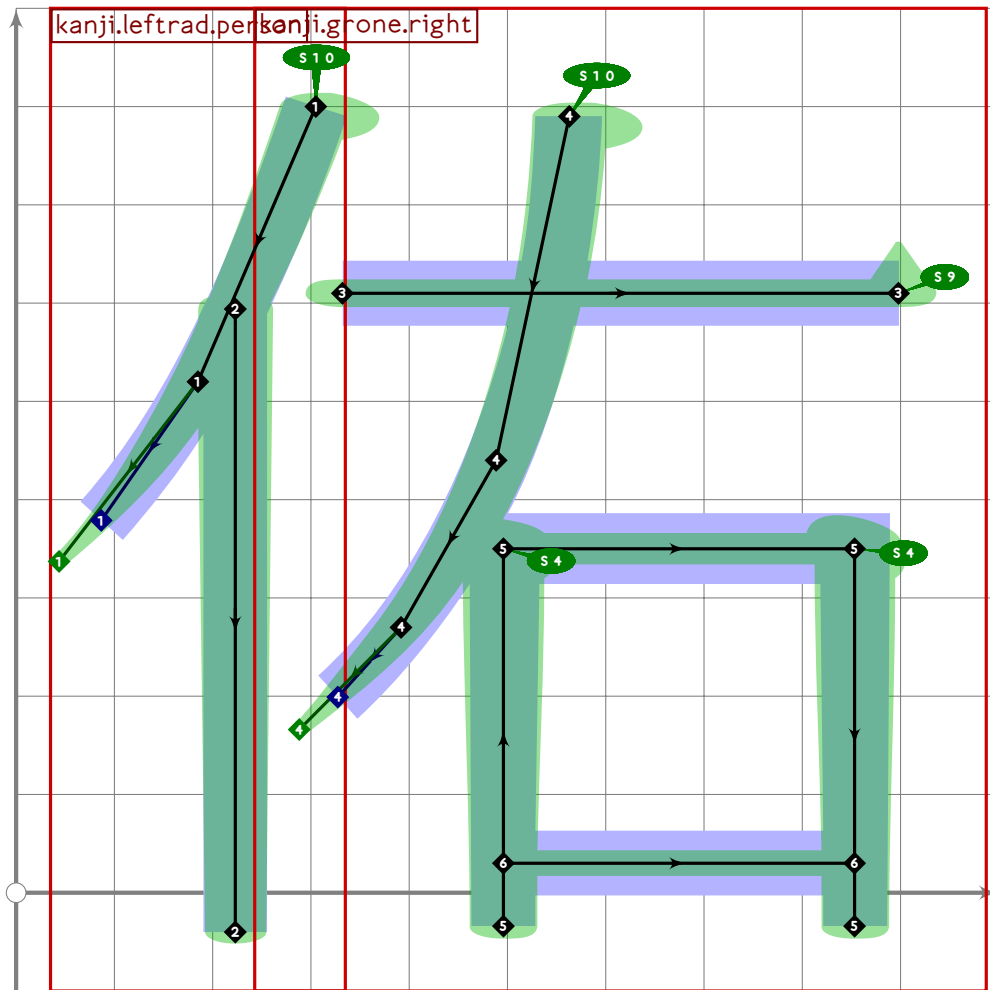
```



```

86
87 vardef tsu_curve.kanji.greight.earl =
88   add_proof_box("kanji.greight.earl");
89   build_kanji.lr(300,20)
90     (tsu_curve.kanji.leftrad.person)
91     (build_kanji.sscale(shifted (0,20))(tsu_curve.kanji.grone.white));
92 enddef;
93
94

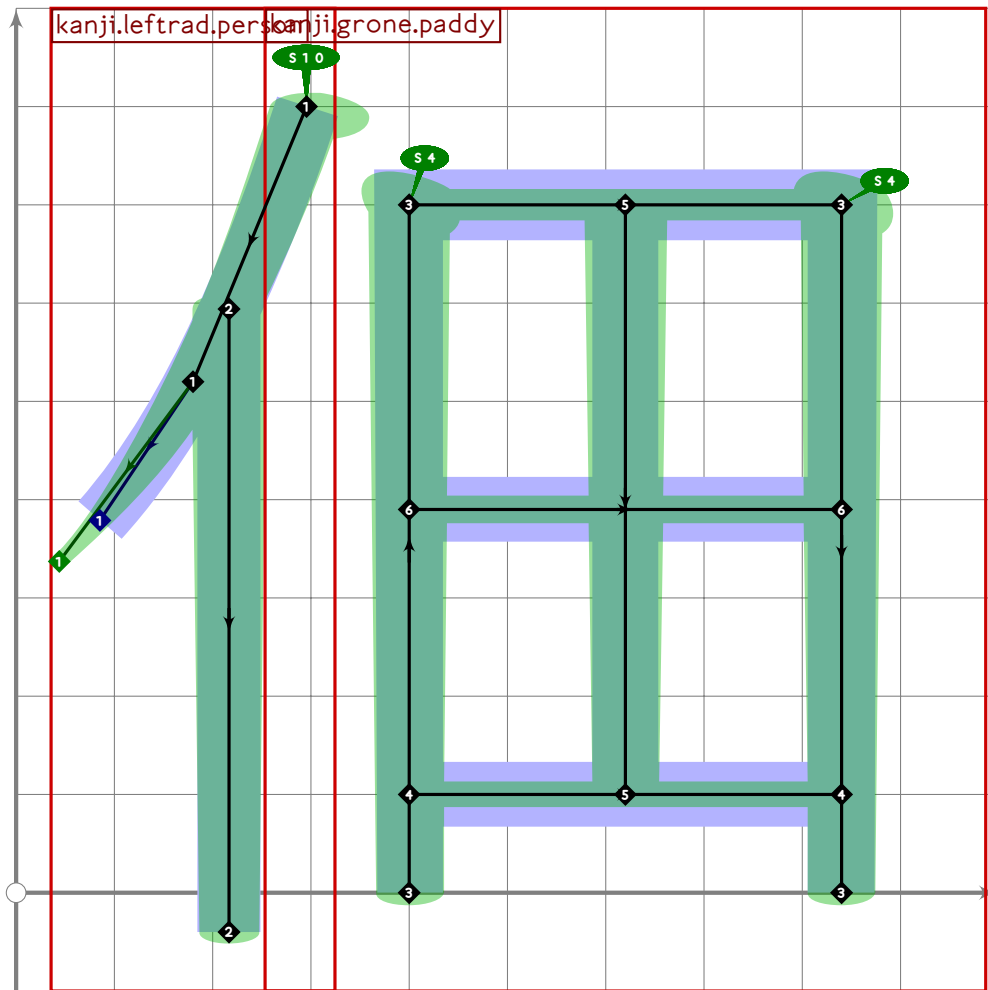
```



```

95
96 vardef tsu_curve.kanji.gnine.assistant =
97   add_proof_box("kanji.gnine.assistant");
98   build_kanji.lr(300,40)
99     (tsu_curve.kanji.leftrad.person)
100    (tsu_curve.kanji.grone.right);
101 enddef;

```



```

102
103 vardef tsu_curve.kanji.gnine.paddy =
104   add_proof_box("kanji.gnine.paddy");
105   build_kanji.lr(300,20)
106     (tsu_curve.kanji.leftrad.person)
107     (tsu_curve.kanji.gnone.paddy);
108 enddef;

```

109

110

111

112 % yasu "vacation"

113 `begintsuglyph("uni4F11";17);`

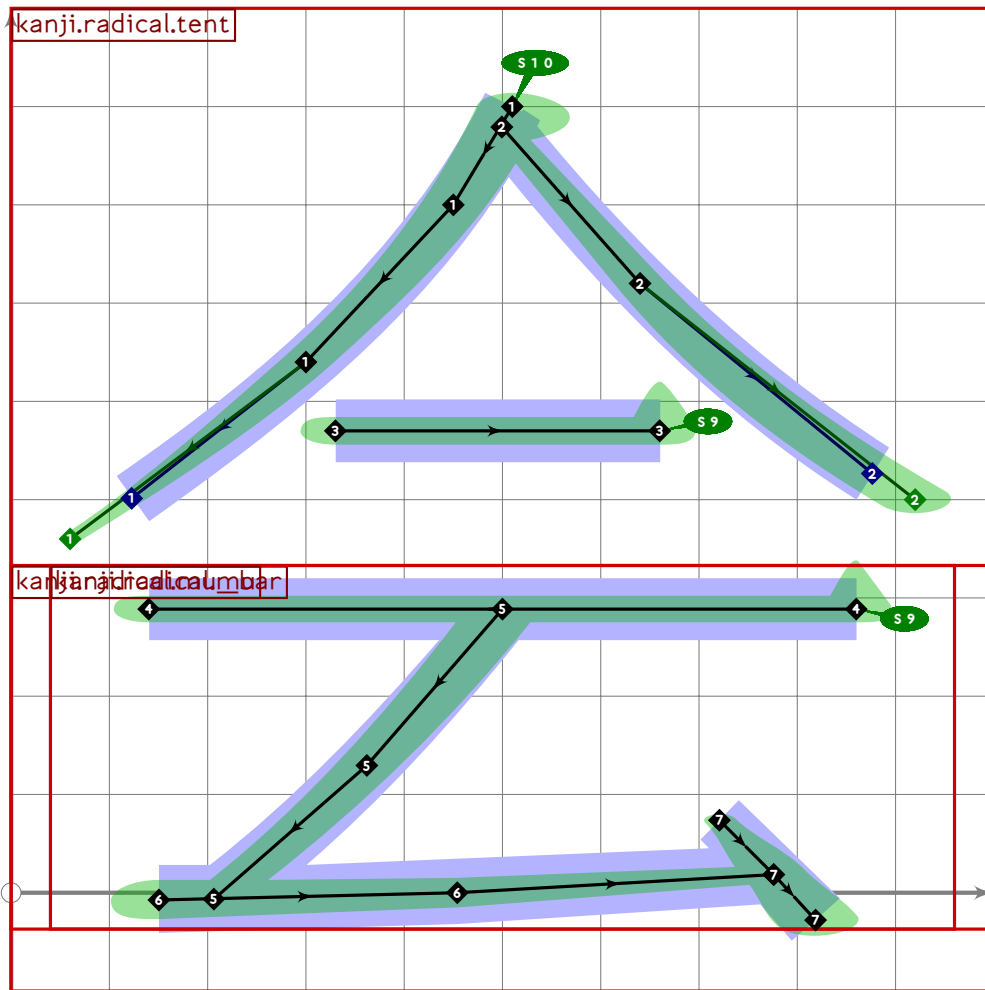
[see page 360]

114 `tsu_curve.kanji.gnone.vacation;`

115 `tsu_render;`

116 `endtsuglyph;`

117

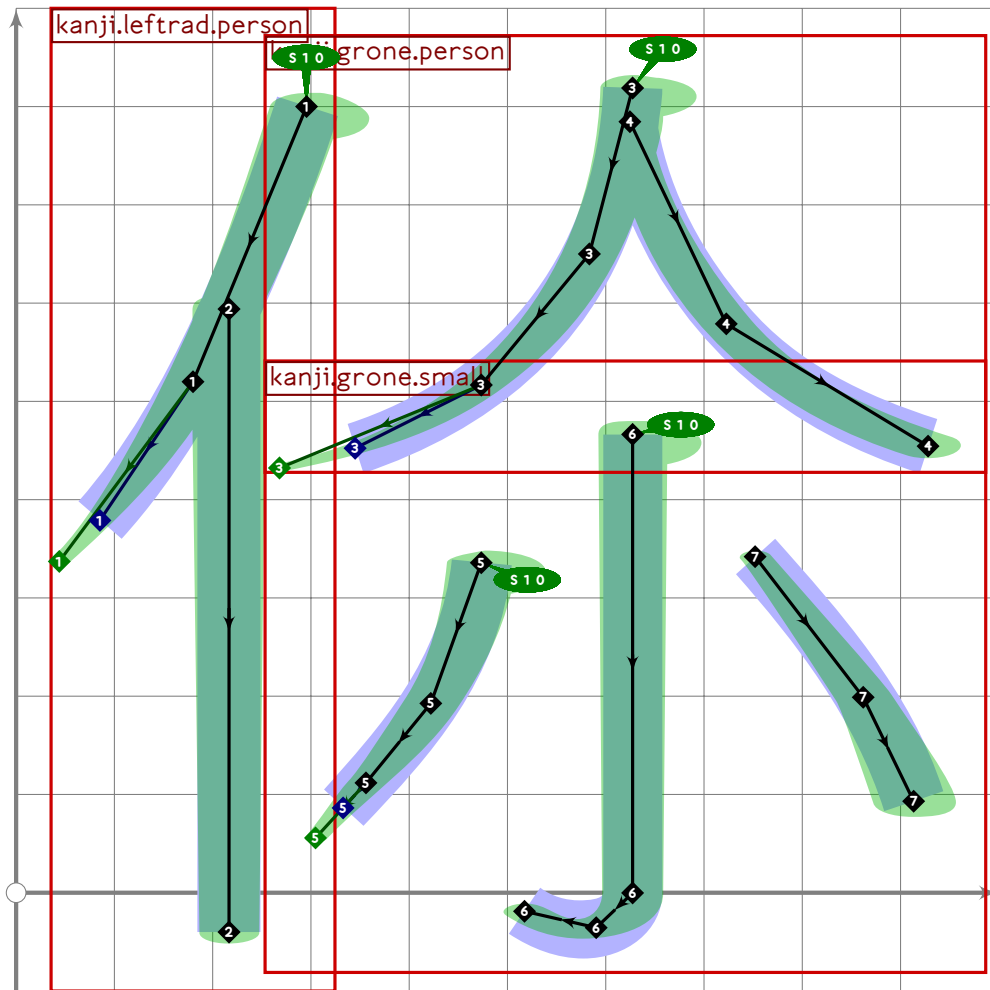


```

118 % kai/a "meet"
119 begintsuglyph("uni4F1A";26);
120 tsu_curve.kanji.grtwo.meet;
121 tsu_render;
122 endsuglyph;
123
124 % haku "earl"
125 begintsuglyph("uni4F2F";47);
126 tsu_curve.kanji.greight.earl;
127 tsu_render;
128 endsuglyph;
129

```

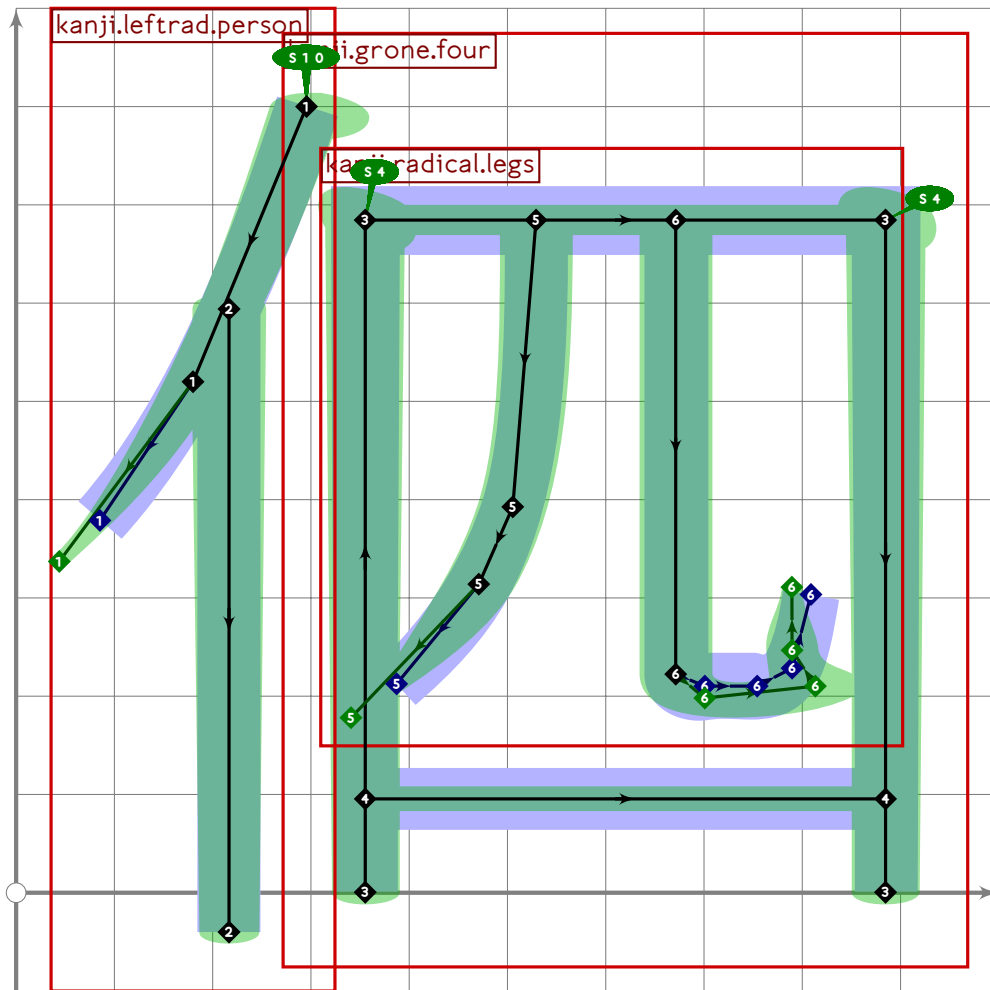
[see page 1145]



```

130 % extra
131 begint Suglyph("uni4F31";49);
132 build_kanji.lr(300,20)
133   (tsu_curve.kanji.leftrad.person)
134   (build_kanji.tb(480,60)
135     (tsu_curve.kanji.grone.person)
136     (tsu_curve.kanji.grone.small));
137 tsu_render;
138 endtsuglyph;
139

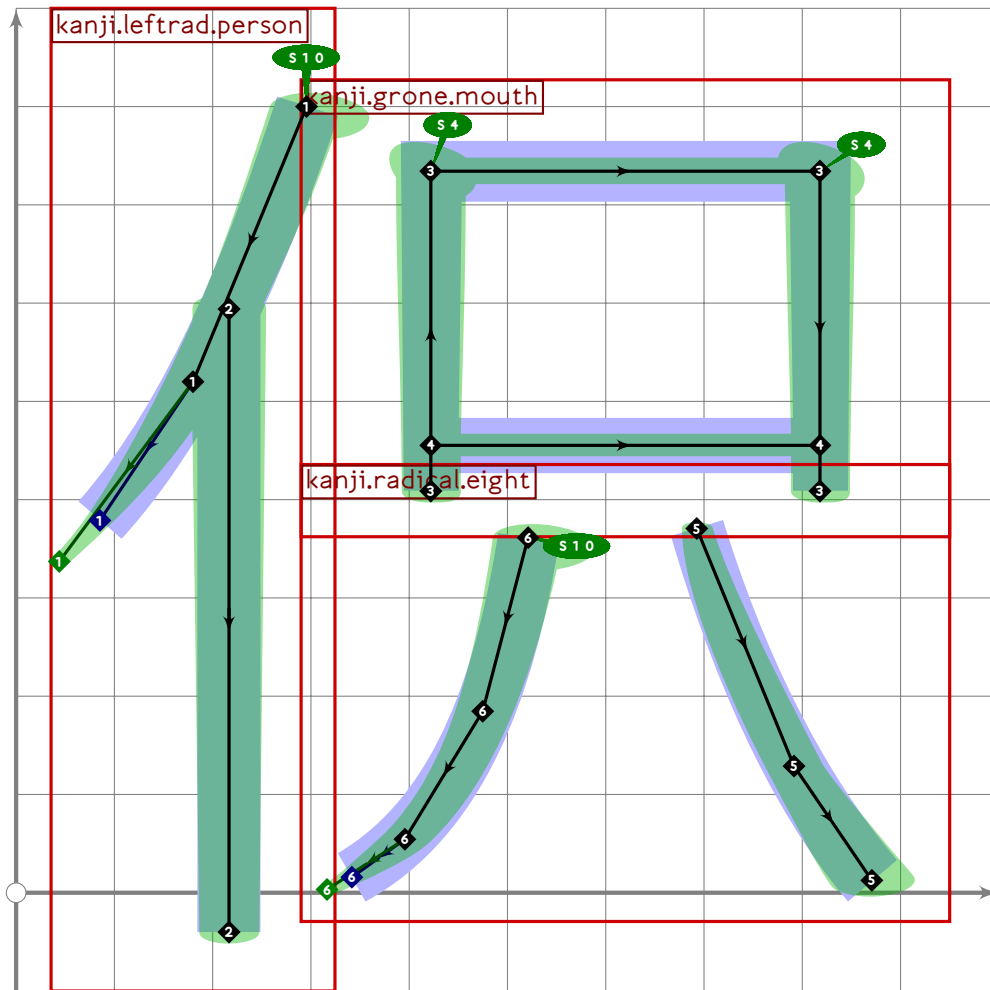
```



```

140 % extra
141 begint Suglyph("uni4F35";53);
142 build_kanji.lr(300,20)
143   (tsu_curve.kanji.leftrad.person)
144   (build_kanji.sscale(scaled 0.95)(tsu_curve.kanji.grone.four));
145   tsu_render;
146 endtsuglyph;
147

```



```

148 % extra
149 begintsuglyph("uni4F3F",63);
150 build_kanji.lr(300,20)
151 (tsu_curve.kanji.leftrad.person)
152 (build_kanji.sscale(scaled 0.9)(tsu_curve.kanji.gnine.only));
153 tsu_render;
154 endtsuglyph;
155
156 % ten/tsukuda "cultivated paddy"
157 begintsuglyph("uni4F43",67);
158 tsu_curve.kanji.gnine.paddy;
159 tsu_render;
160 endtsuglyph;
161
162 % suke "assistant"
163 begintsuglyph("uni4F50",80);
164 tsu_curve.kanji.greight.assistant;
165 tsu_render;
166 endtsuglyph;
167
168 % suke "assistant"

```

[see page 1147]

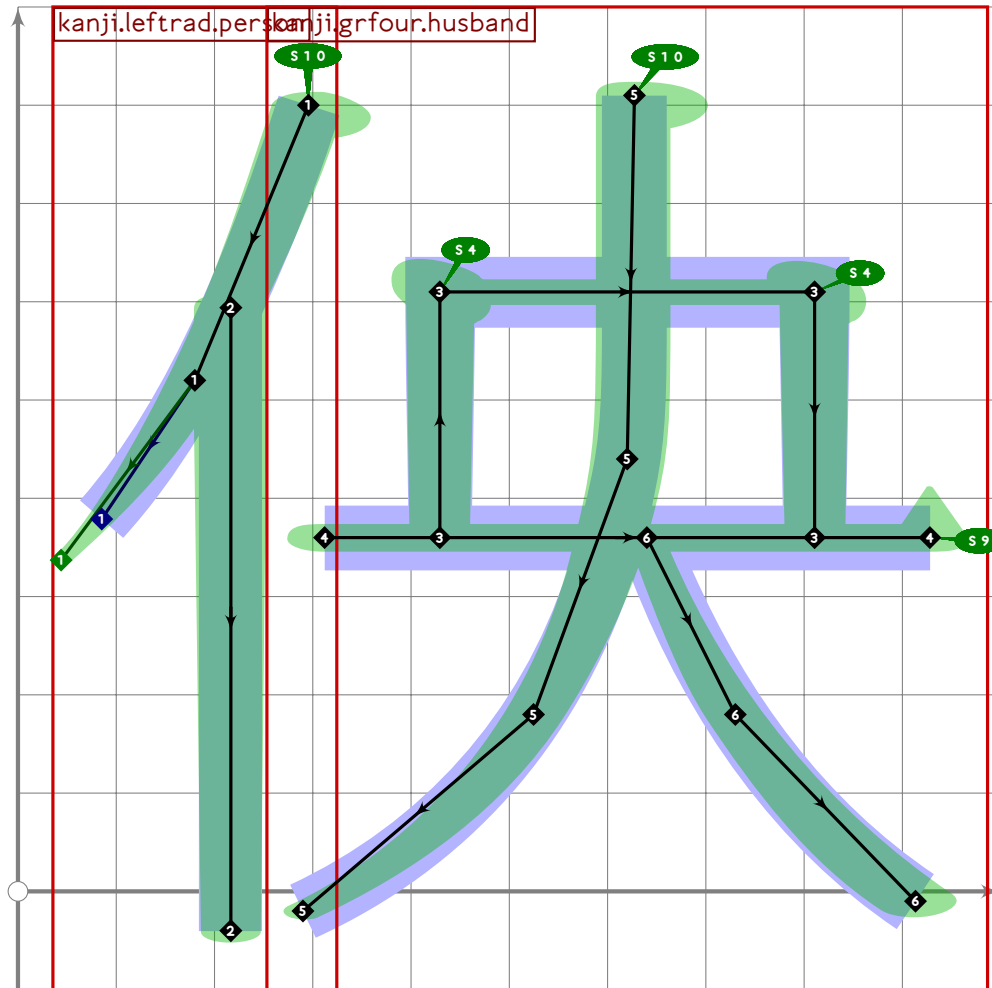
[see page 1144]

```

169 begintsuglyph("uni4F51";81);
170 tsu_curve.kanji.grnine.assistant;
171 tsu_render;
172 endtsuglyph;
173

```

[see page 1146]



```

174 % extra
175 begintsuglyph("uni4F52";82);
176 build_kanji.lr(300,20)
177 (tsu_curve.kanji.leftrad.person)
178 (tsu_curve.kanji.grthree centre);
179 tsu_render;
180 endtsuglyph;
181
182 % tai/karada "substance"
183 begintsuglyph("uni4F53";83);
184 tsu_curve.kanji.grtwo.substance;
185 tsu_render;
186 endtsuglyph;
187
188 % ka/nani "what"
189 begintsuglyph("uni4F55";85);

```

[see page 1142]

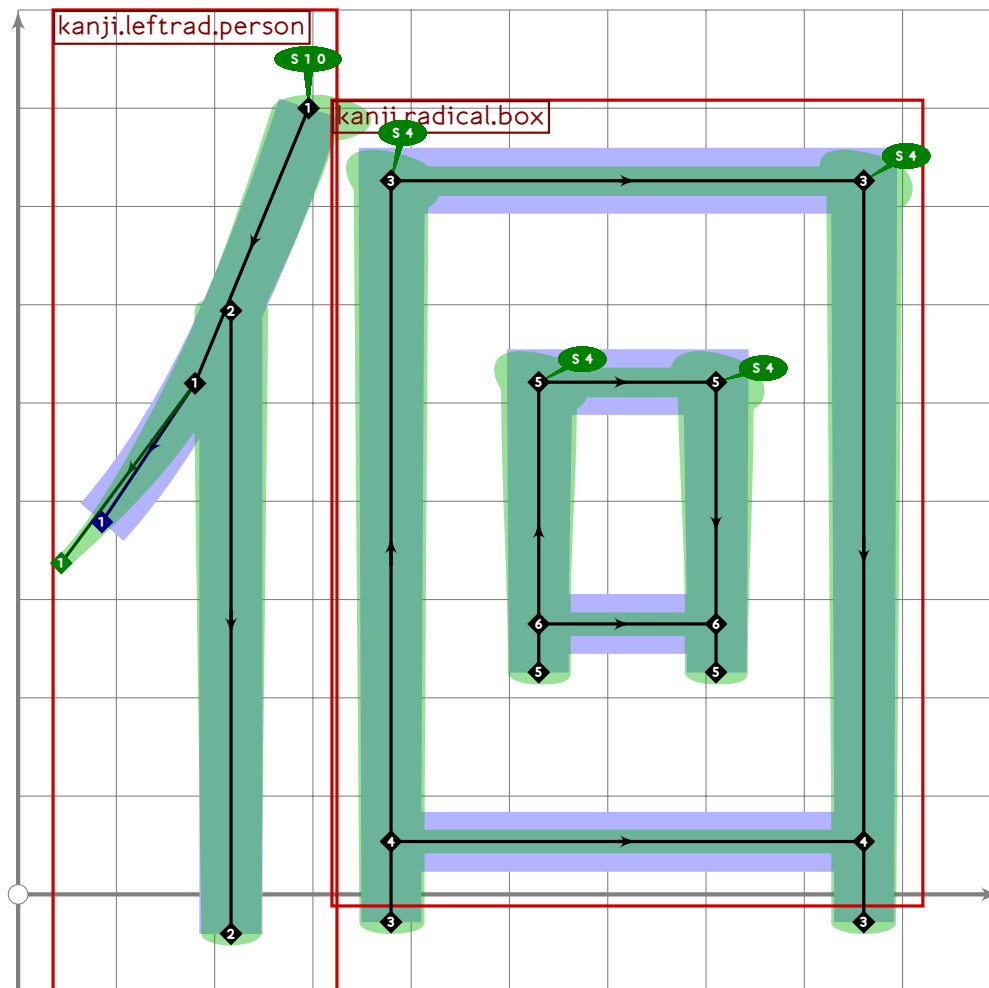
[see page 1143]

```

190 tsu_curve.kanji.grtwo.what;
191 tsu_render;
192 endtsuglyph;
193
194 % tsuku "make"
195 begintsuglyph("uni4F5C";92);
196 tsu_curve.kanji.grtwo.make;
197 tsu_render;
198 endtsuglyph;
199

```

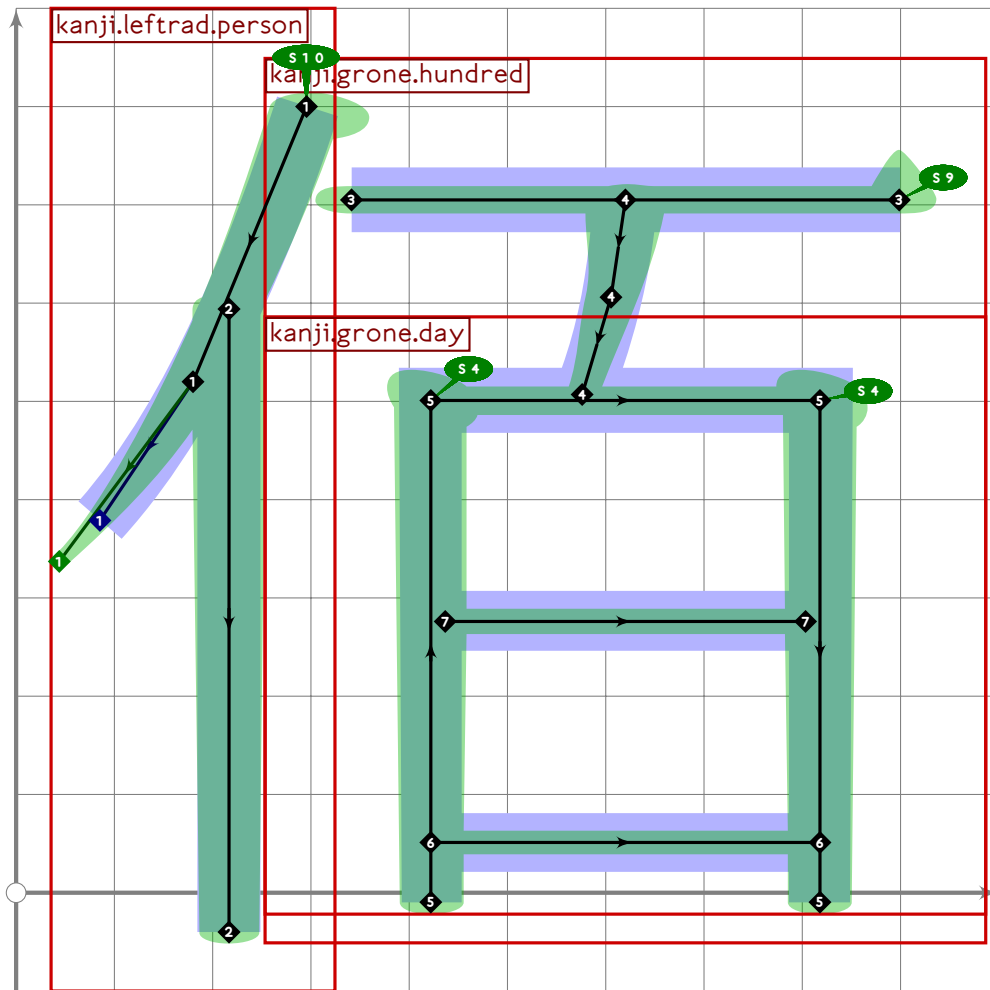
[see page 1140]



```

200 % extra "hesitate"
201 begintsuglyph("uni4F6A";106);
202 build_kanji.lr(300,20)
203   (tsu_curve.kanji.leftrad.person)
204   (build_kanji.sscale(scaled 0.82)(tsu_curve.kanji.grtwo.occurrences));
205 tsu_render;
206 endtsuglyph;
207

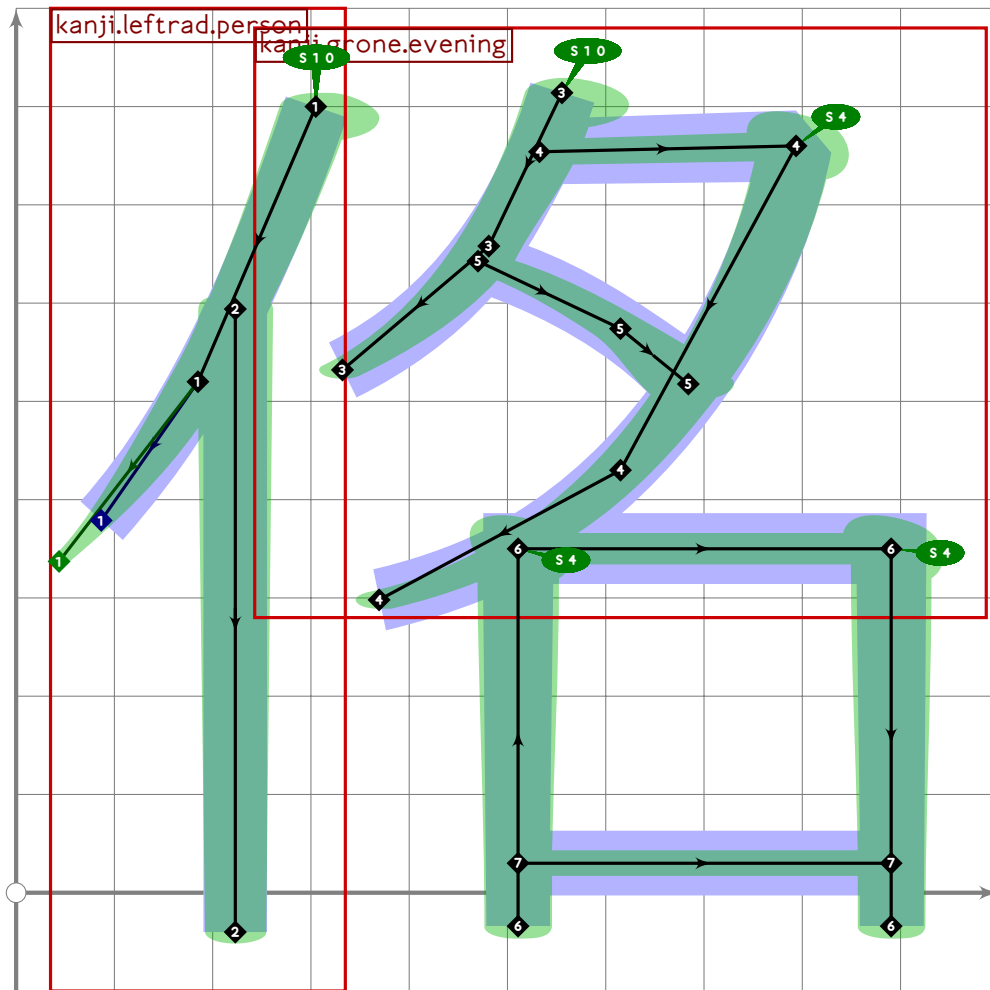
```



```

208 % extra "centurion"
209 begintsuglyph("uni4F70";112);
210 build_kanji.lr(300,20)
211   (tsu_curve.kanji.leftrad.person)
212   (build_kanji.sscale(yscaled 0.9)(tsu_curve.kanji.grone.hundred));
213 tsu_render;
214 endtsuglyph;
215

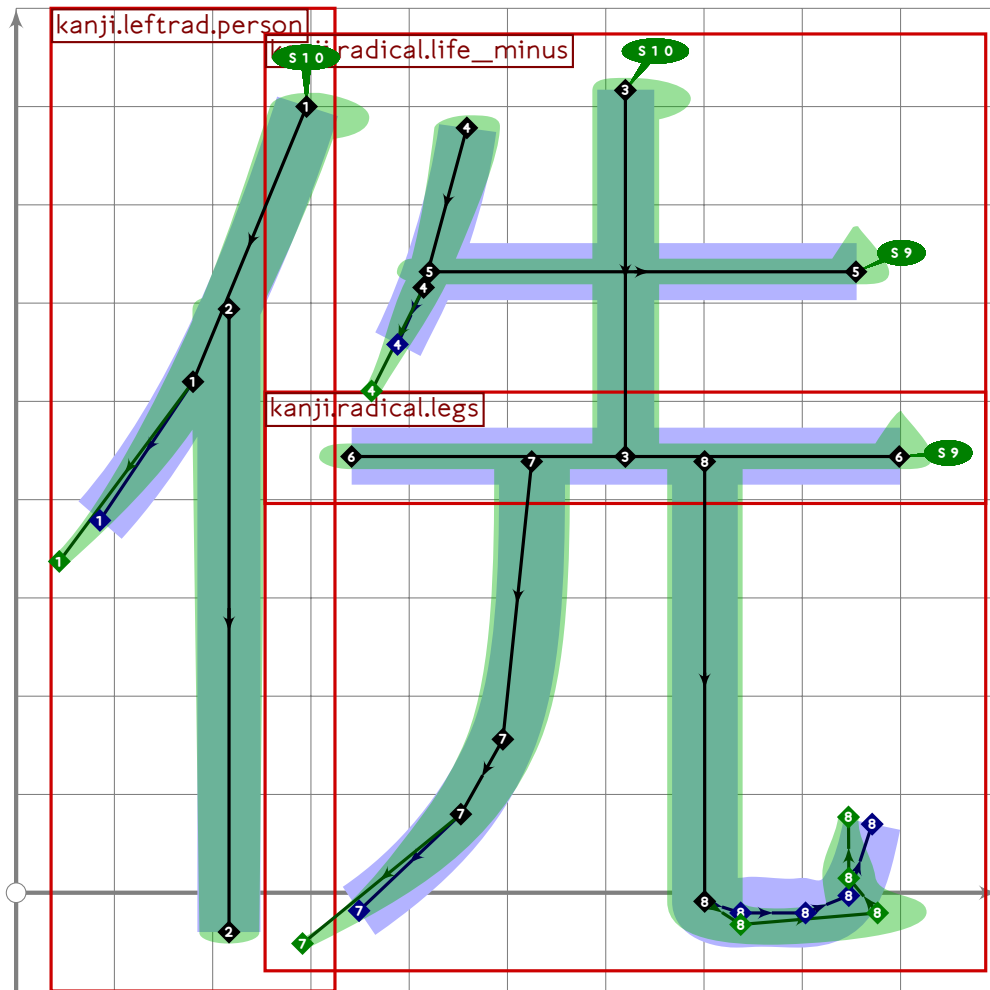
```



```

216 % extra
217 beginsuglyph("uni4F72",114);
218 build_kanji.lr(300,40)
219   (tsu_curve.kanji.leftrad.person)
220   (tsu_curve.kanji.grone.name);
221   tsu_render;
222 endsuglyph;
223

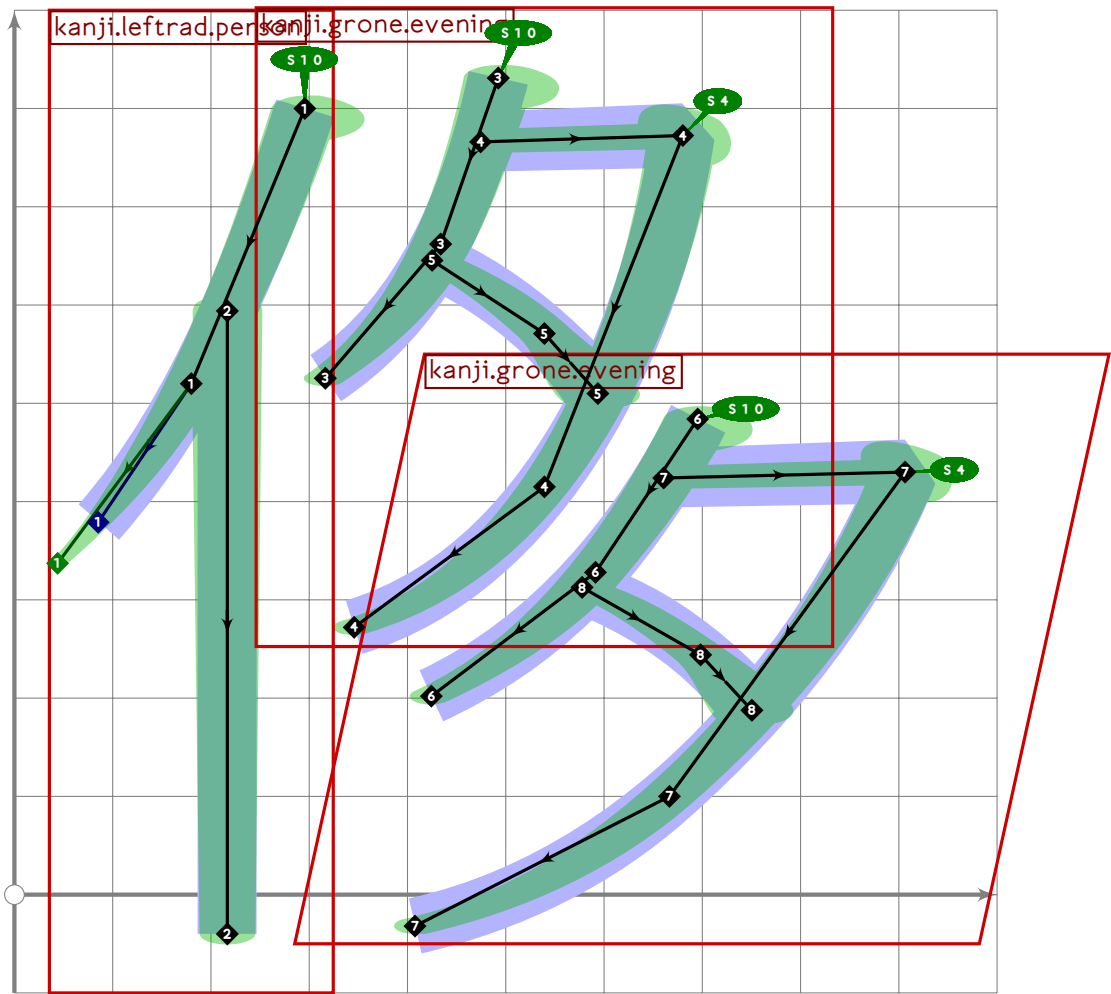
```



```

224 % extra
225 begint Suglyph("uni4F81";129);
226 build_kanji.lr(300,20)
227   (tsu_curve.kanji.leftrad.person)
228   (tsu_curve.kanji.grone.ahead);
229   tsu_render;
230 endsuglyph;
231

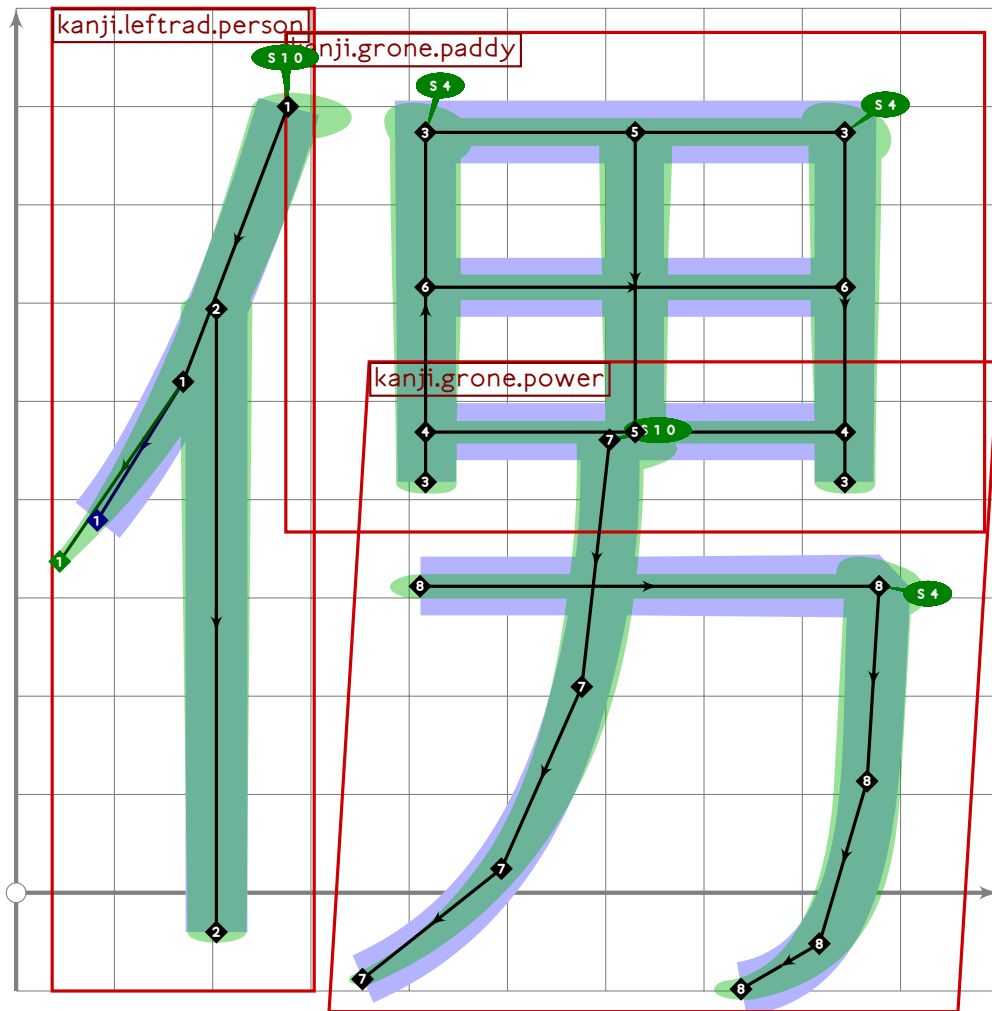
```

```

232 % extra "luxury"
233 begint Suglyph("uni4F88",136);
234 build_kanji.level(build_kanji.lr(300,20)
235   (tsu_curve.kanji.leftrad.person)
236   (tsu_curve.kanji.grtwo.many));
237 tsu_render;
238 endtsuglyph;
239

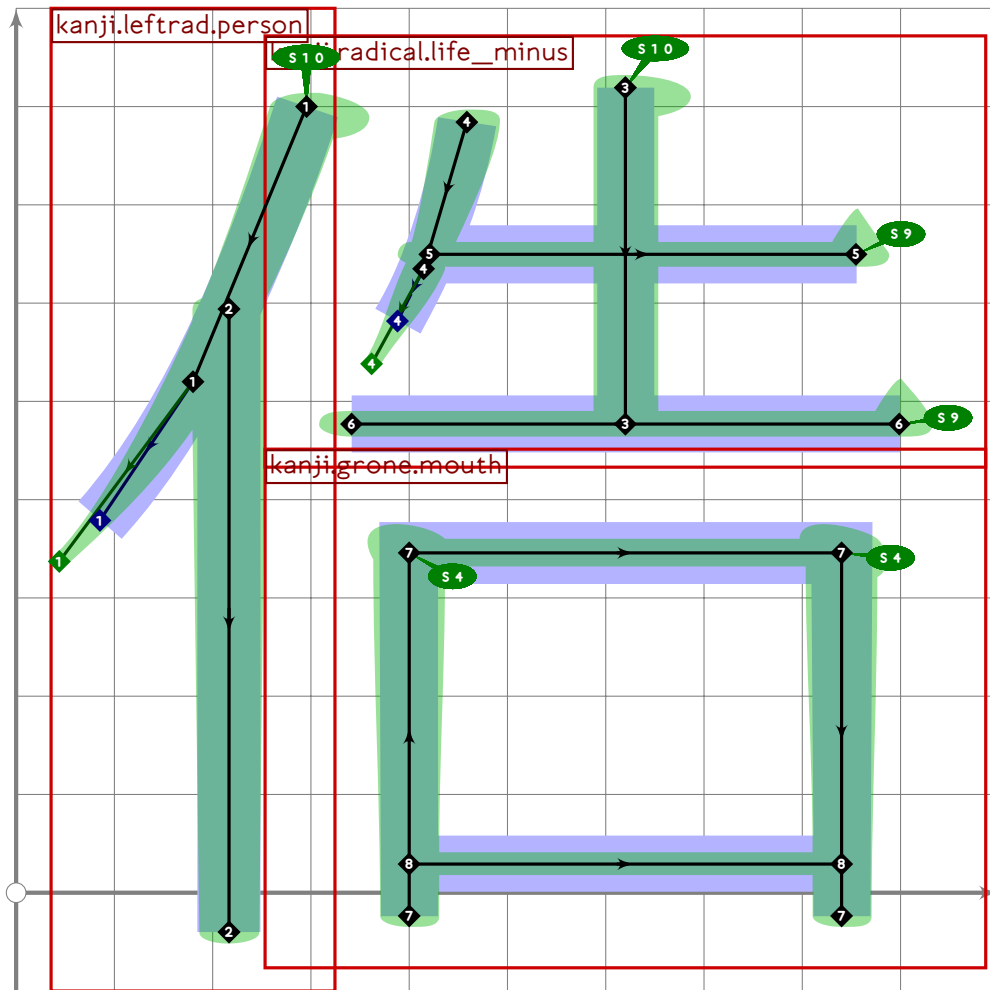
```



```

240 % extra
241 begintsuglyph("uni4FBD";189);
242 build_kanji.lr(300,-20)
243   (tsu_curve.kanji.leftrad.person)
244   (tsu_curve.kanji.grone.man);
245   tsu_render;
246 endsuglyph;
247

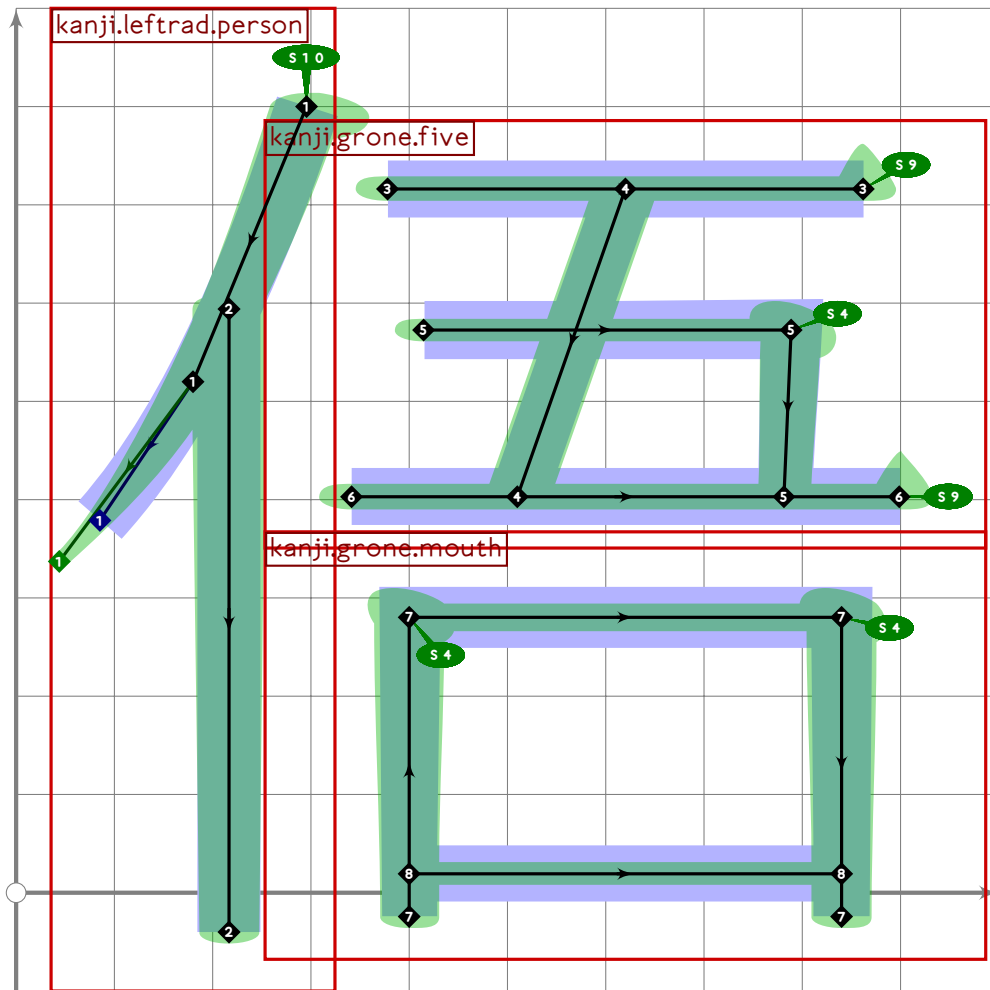
```



```

248 % extra
249 begint Suglyph("uni4FC8",200);
250 build_kanji.lr(300,20)
251   (tsu_curve.kanji.leftrad.person)
252   (tsu_curve.kanji.grfour.revelation);
253   tsu_render;
254 endsuglyph;
255

```



```

256 % extra
257 begint Suglyph("uni4FC9";201);
258 build_kanji.lr(300,20)
259   (tsu_curve.kanji.leftrad.person)
260   (build_kanji.sscale(yscaled 0.9 shifted (0;-40))
261     (tsu_curve.kanji.grnine.my));
262 tsu_render;
263 endtsuglyph;
264
265 -----
266
267 endfont;
268
269 -----

```

tsuku-50.mp

```
1 %  
2 % Unicode page 50 (Kanji) for Tsukurimashou  
3 % Copyright (C) 2011 Matthew Skala  
4 %
```

```
5-29 [Standard copyright notice]
```

```
30
```

```
31
```

```
32
```

```
33 beginfont
```

```
34
```

```
35 % AUTODEPS
```

```
36 input buildkanji.mp;
```

```
37 input gradeone.mp;
```

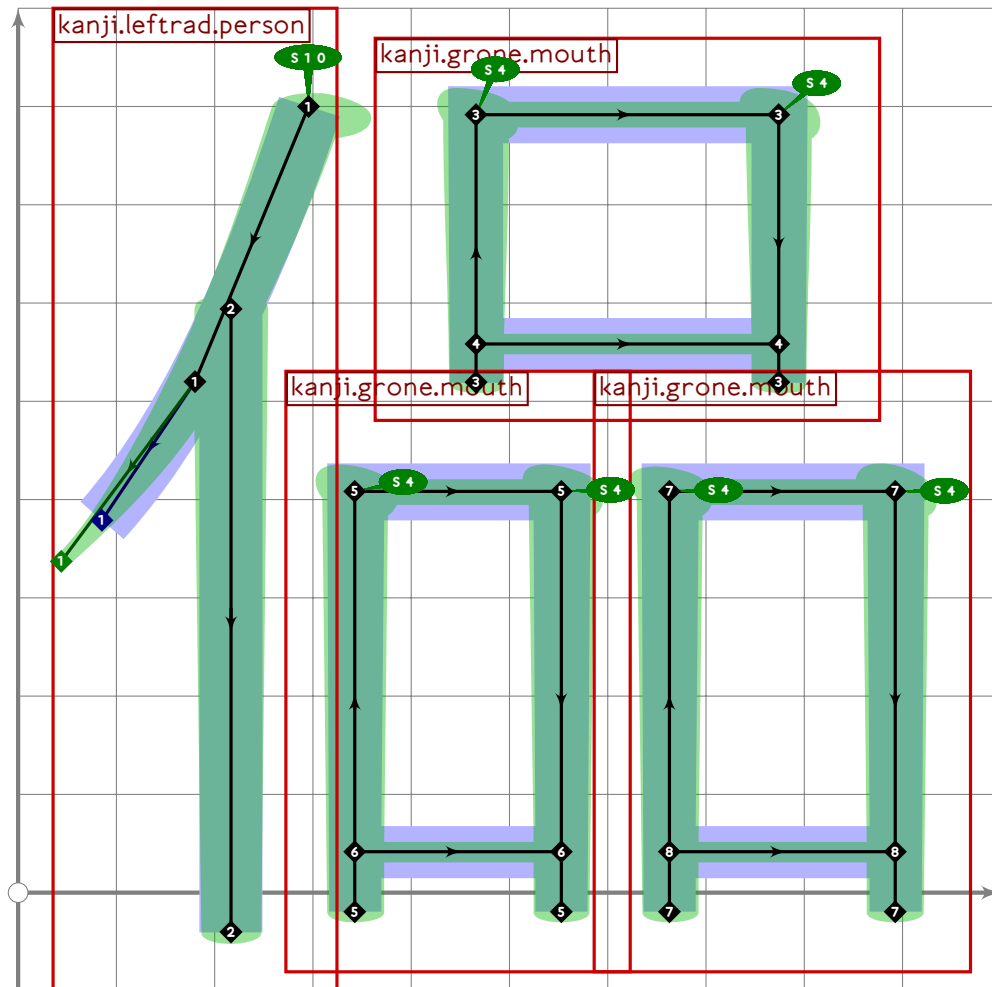
```
38 input gradethree.mp;
```

```
39 input leftrad.mp;
```

```
40
```

```
41
```

```
42
```



```
43 % extra
```

```
44 begintsuglyph("uni5058",88);
45   build_kanji.lr(300,20)
46     (tsu_curve.kanji.leftrad.person)
47     (tsu_curve.kanji.grthree.goods);
48   tsu_render;
49 endtsuglyph;
50
51 

---

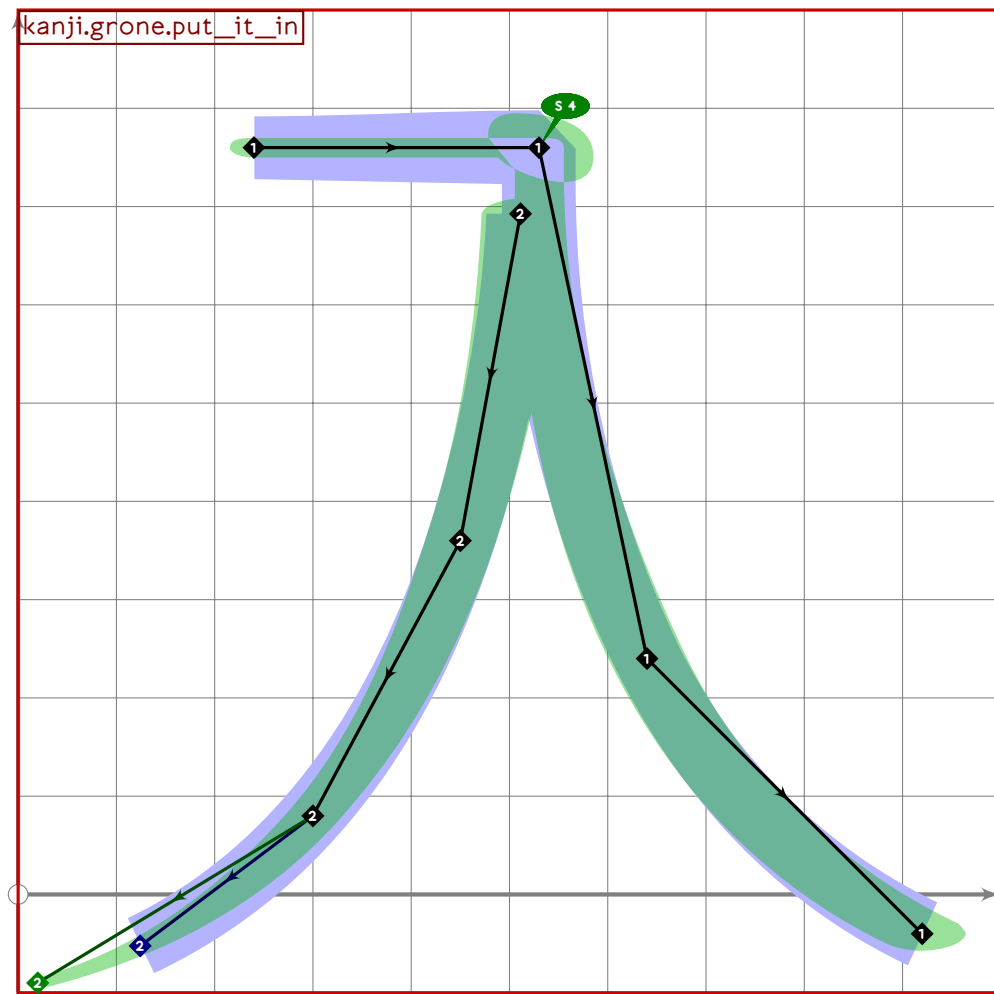

52
53 endfont;
54
55 

---


```

tsuku-51.mp

```
1 %  
2 % Unicode page 51 (Kanji) for Tsukurimashou  
3 % Copyright (C) 2011 Matthew Skala  
4 %  
5-29 [Standard copyright notice]  
30  
31 _____  
32  
33 beginfont  
34  
35 % AUTODEPS  
36 input buildkanji.mp;  
37 input gradeone.mp;  
38 input gradetwo.mp;  
39 input radical.mp;  
40  
41 _____
```

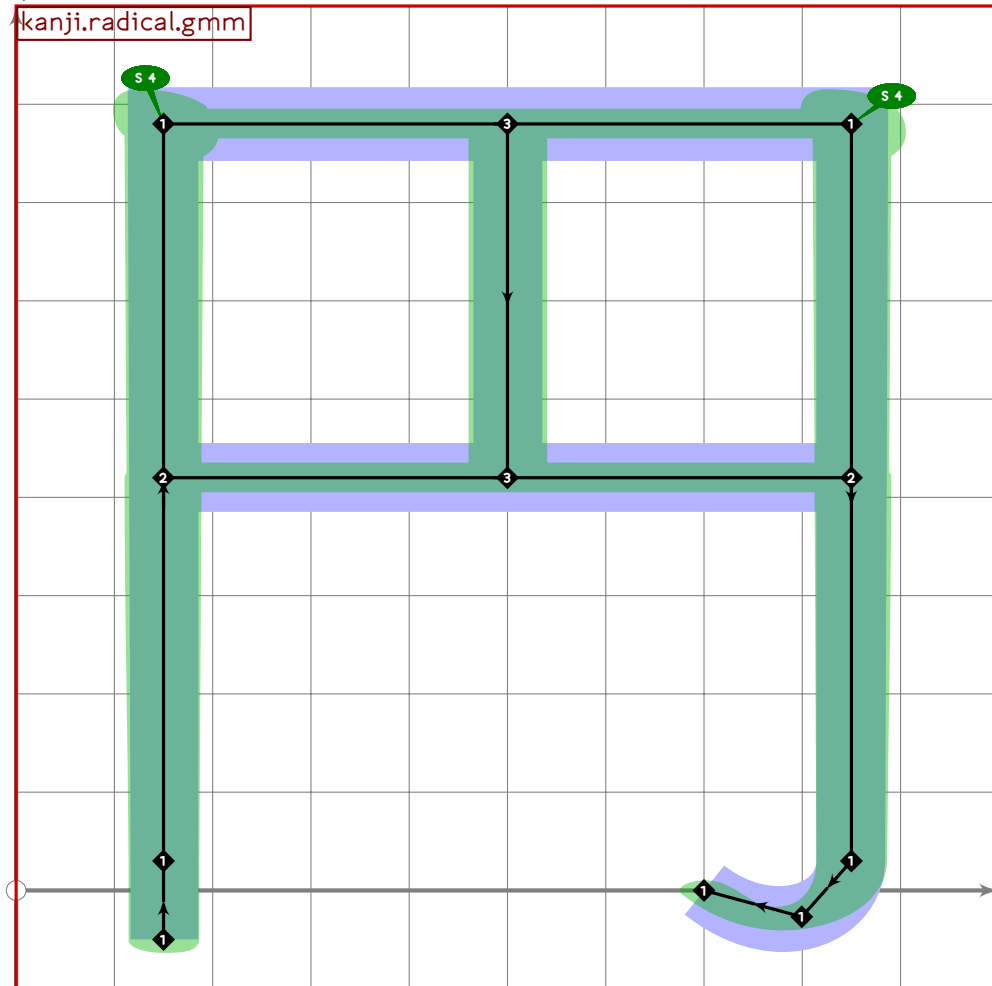


```
42  
43 vardef tsu_curve.kanji.gnone.put_it_in =
```

```

44 add_proof_box("kanji.grone.put_it_in");
45 bp[sp]:=(240,760)-(530,760)..tension 1.2..(640,240)..(920,-40);
46 bq[sp]:=(1.2,1.2)-(1.2,1.2)-(1.6,1.6)-(1.7,1.7);
47 bo_tip[sp][1]:=0;
48 bo_serif[sp][1]:=4;
49 bp[sp*1]:=((-20,0)*point 1.14 of bp[sp])..(450,360)..(300,80)..(20,90);
50 bq[sp*1]:=(1.6,1.6)-(1.5,1.5)-(1.3,1.3)-(0.85,0.85);
51 sp:=sp*2;
52 enddef;

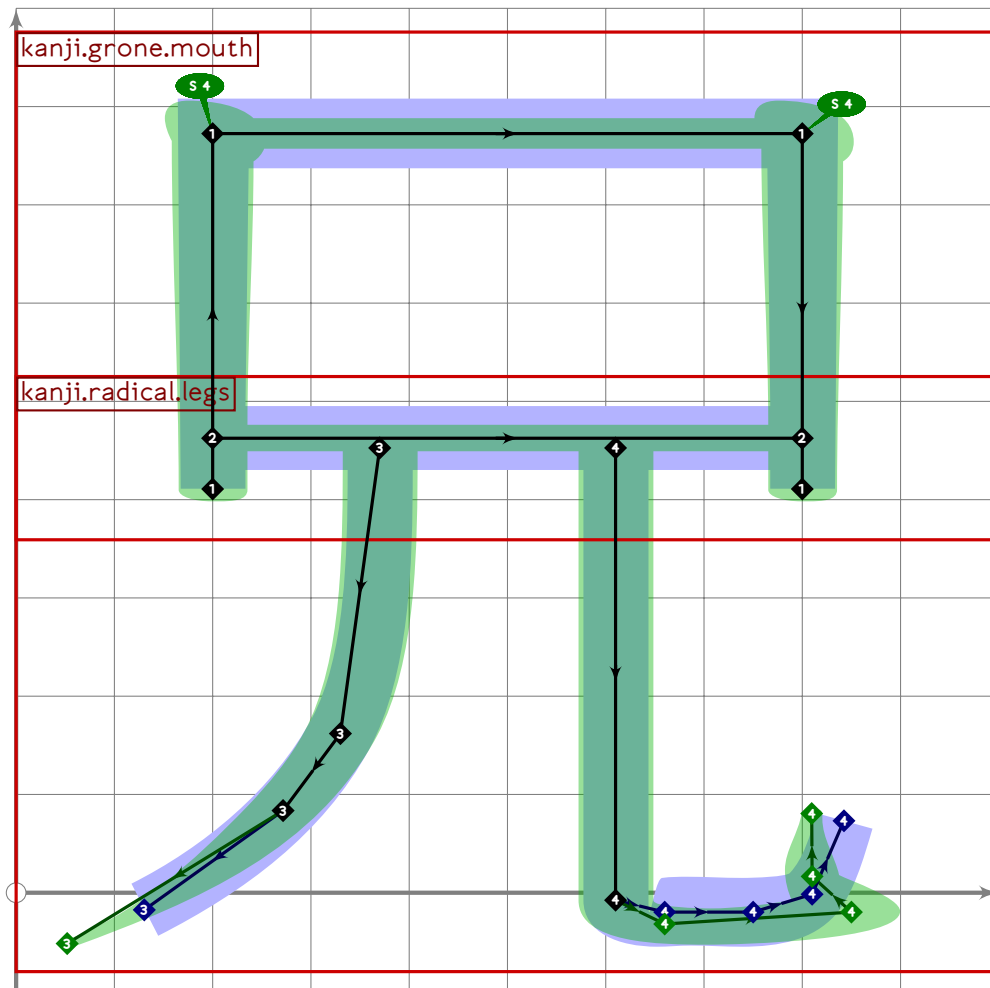
```



```

53
54 vardef tsu_curve.kanji.grone.yen =
55   add_proof_box("kanji.grone.yen");
56   tsu_curve.kanji.radical.gmm;
57   bp[sp]:=(point 1.52 of bp[sp*1])-(point 3.48 of bp[sp*1]);
58   bq[sp]:=(1.6,1.6)-(1.6,1.6);
59   bp[sp*1]:=(point 2.5 of bp[sp*1])-(point 0.5 of bp[sp]);
60   bq[sp*1]:=(1.6,1.6)-(1.6,1.6);
61   sp:=sp*2;
62 enddef;
63
64

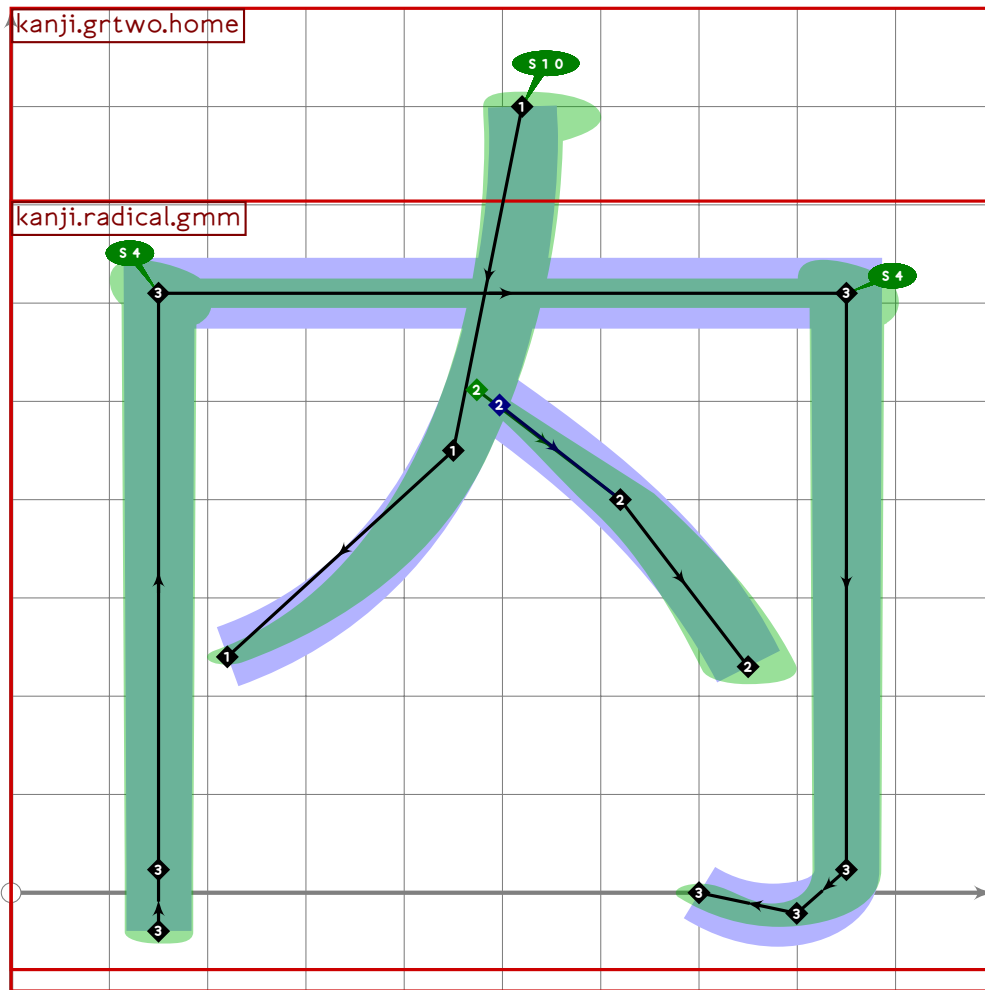
```

```

65
66 vardef tsu_curve.kanji.grtwo.big_brother =
67   add_proof_box("kanji.grtwo.big_brother");
68   build_kanji.level(build_kanji.tb(440,110)
69     (tsu_curve.kanji.grone.mouth)
70     (tsu_curve.kanji.radical.legs));
71 enddef;

```



72

```

73 vardef tsu_curve.kanji.grtwo.home =
74   add_proof_box("kanji.grtwo.home");
75   bp[sp]:=(520,800)..tension 1.2..(450,450)..(220,240);
76   bq[sp]:=(1.6,1.6)-(1.5,1.5)-(1.1,1.1);
77   bo_serif[sp][0]:=10;
78   bp[sp*1]:=(point 0.8 of bp[sp])..tension 1.2..(620,400)..(750,230);
79   bq[sp*1]:=(0.9,0.9)-(1.5,1.5)-(1.8,1.8);
80   sp:=sp*2;
81   tsu_xform(identity yscaled (610/780))(tsu_curve.kanji.radical.gmm);
82 enddef;

```


104
105 % nii (as in oniisan) "big brother"
106 `begintsuglyph("uni5144";68);` [see page 1165]
107 `tsu_curve.kanji.grtwo.big_brother;`
108 `tsu_render;`
109 `endtsuglyph;`
110
111 % sen "ahead"
112 `begintsuglyph("uni5148";72);` [see page 314]
113 `tsu_curve.kanji.grone.ahead;`
114 `tsu_render;`
115 `endtsuglyph;`
116
117 % hai/i "put it in"
118 `begintsuglyph("uni5165";101);` [see page 1163]
119 `tsu_curve.kanji.grone.put_it_in;`
120 `tsu_render;`
121 `endtsuglyph;`
122
123 % hachi/ya "eight"
124 `begintsuglyph("uni516B";107);` [see page 327]
125 `tsu_curve.kanji.grone.eight;`
126 `tsu_render;`
127 `endtsuglyph;`
128
129 % kou/kimi "public" but also the pronoun kimi
130 `begintsuglyph("uni516C";108);` [see page 1167]
131 `tsu_curve.kanji.grtwo.public;`
132 `tsu_render;`
133 `endtsuglyph;`
134
135 % roku/mui "six"
136 `begintsuglyph("uni516D";109);` [see page 352]
137 `tsu_curve.kanji.grone.six;`
138 `tsu_render;`
139 `endtsuglyph;`
140
141 % George Michael's Moustache
142 `begintsuglyph("uni5182";130);` [see page 305]
143 `tsu_curve.kanji.radical.gmm;`
144 `tsu_render;`
145 `endtsuglyph;`
146
147 % nai/uchi "home, me"
148 `begintsuglyph("uni5185";133);` [see page 1166]
149 `tsu_curve.kanji.grtwo.home;`
150 `tsu_render;`
151 `endtsuglyph;`

```
152
153 % en "yen" (currency unit)
154 begintsuglyph("uni5186";134); [see page 1164]
155 tsu_curve.kanji.grone.yen;
156 tsu_render;
157 endtsuglyph;
158
159 % de "go away"
160 begintsuglyph("uni51FA";250); [see page 333]
161 tsu_curve.kanji.grone.go_away;
162 tsu_render;
163 endtsuglyph;
164


---


165
166
167 endfont;
168


---


169
```

tsuku-52.mp

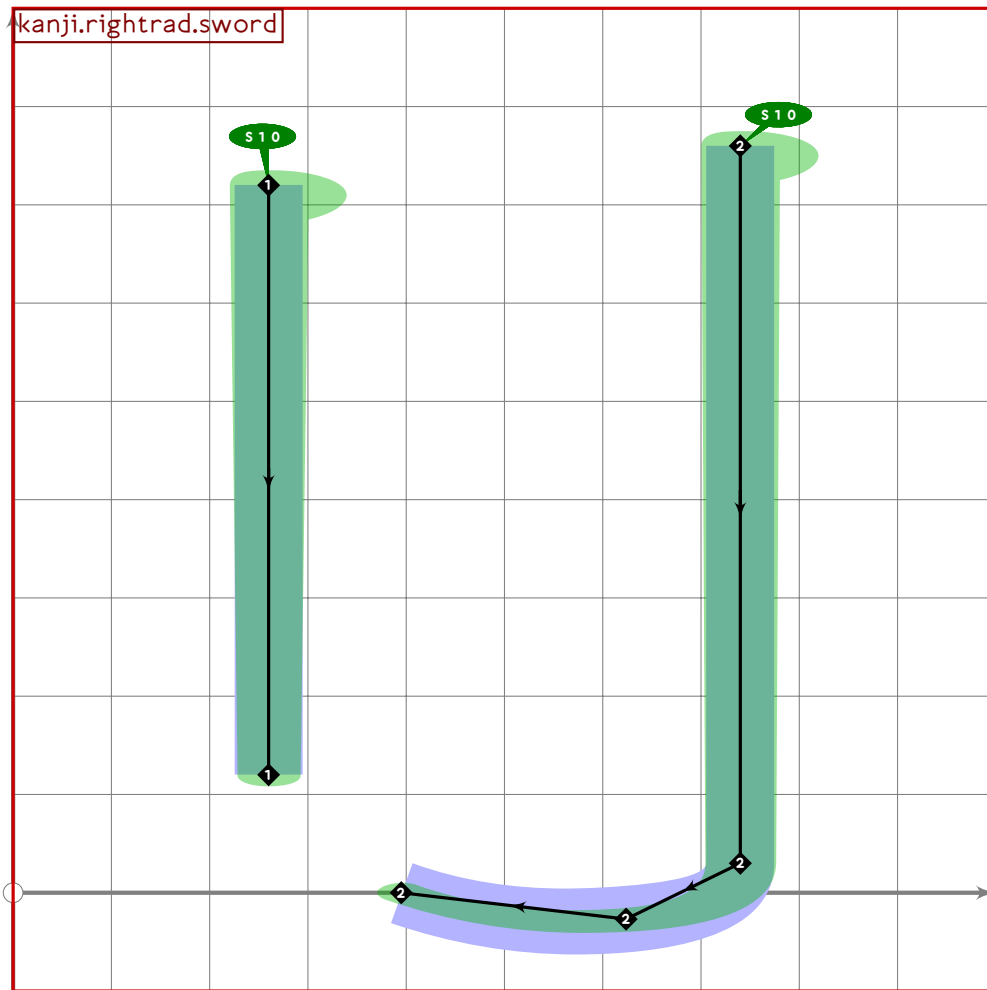
```
1 %
2 % Unicode page 52 (Kanji) for Tsukurimashou
3 % Copyright (C) 2011 Matthew Skala
4 %
5-29 [Standard copyright notice]
30
31 

---


32
33 beginfont
34
35 % AUTODEPS
36 input bottomrad.mp;
37 input buildkanji.mp;
38 input gradeone.mp;
39 input gradesix.mp;
40 input leftrad.mp;
41 input radical.mp;
42 input toprad.mp;
43
44 

---

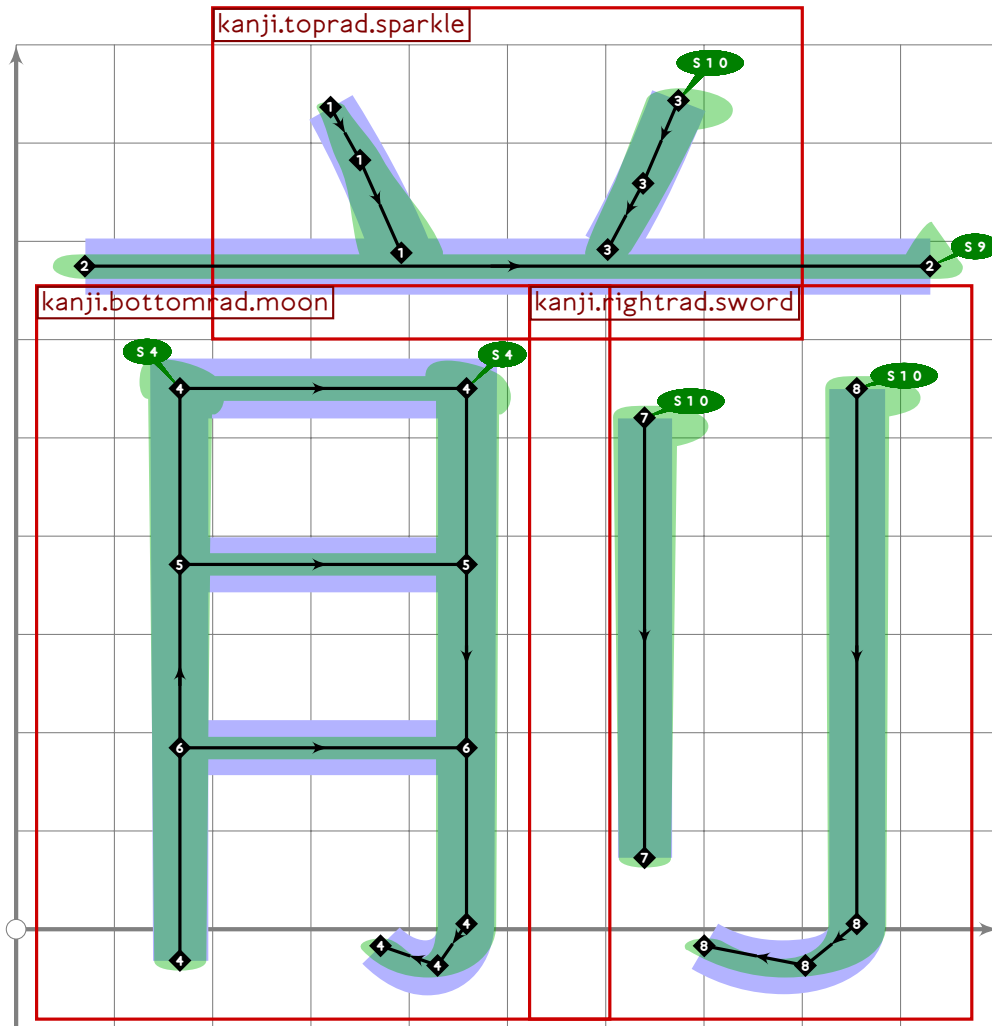

```



```

45
46 vardef tsu_curve.kanji.rightrad.sword =
47   add_proof_box("kanji.rightrad.sword");
48   bp[sp]:=(260,720)-(260,120);
49   bq[sp]:=(1.6,1.6)-(1.4,1.4);
50   bo_serif[sp][0]:=10;
51   bp[sp*1]:=(740,760);
52   bq[sp*1]:=(1.6,1.6);
53   bo_serif[sp*1][0]:=10;
54   build_kanji.add_jtail(sp*1);
55   bp[sp*1]:=bp[sp*1] shifted (-740,0) xscaled 2.3 shifted (740,0);
56   sp:=sp*2;
57 enddef;
58
59

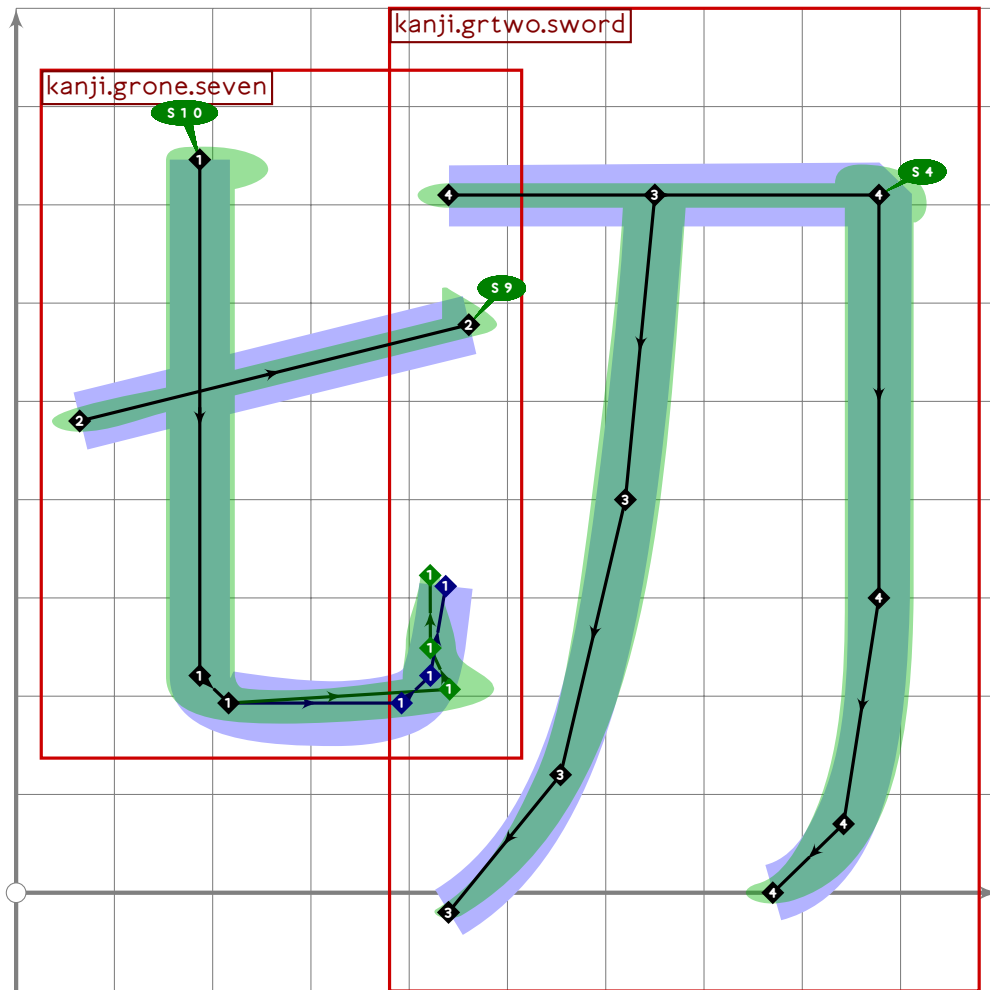
```



```

60
61 vardef tsu_curve.kanji.grtwo.before =
62   tsu_xform(identity yscaled (780/720))
63   (build_kanji.level(build_kanji.tb(570,0)
64     (build_kanji.sscale(xscaled 0.6)(tsu_curve.kanji.toprad.sparkle);
65     bp[sp-2]:=(70,120)-(930,120);
66     bq[sp-2]:=(1.6,1.6)-(1.6,1.6);
67     bo_serif[sp-2][0]:=whatever;
68     bo_serif[sp-2][1]:=9;
69     )
70     (build_kanji.lr(560,30)
71       (tsu_curve.kanji.bottomrad.moon)
72       (tsu_curve.kanji.rightrad.sword)));
73   enddef;

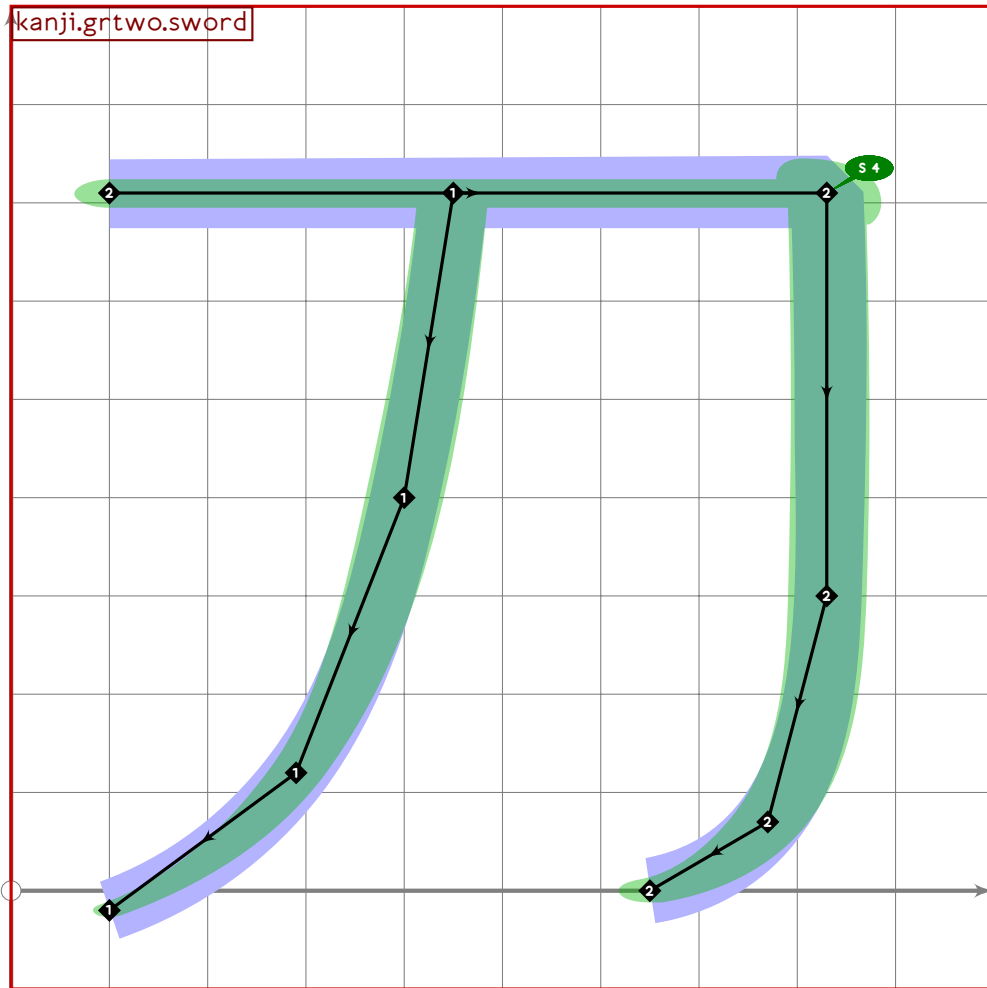
```

```

74
75 vardef tsu_curve.kanji.grtwo.cut =
76   build_kanji.level(build_kanji.lr(450,80)
77     (tsu_curve.kanji.leftrad.seven)
78     (tsu_curve.kanji.grtwo.sword));
79 enddef;

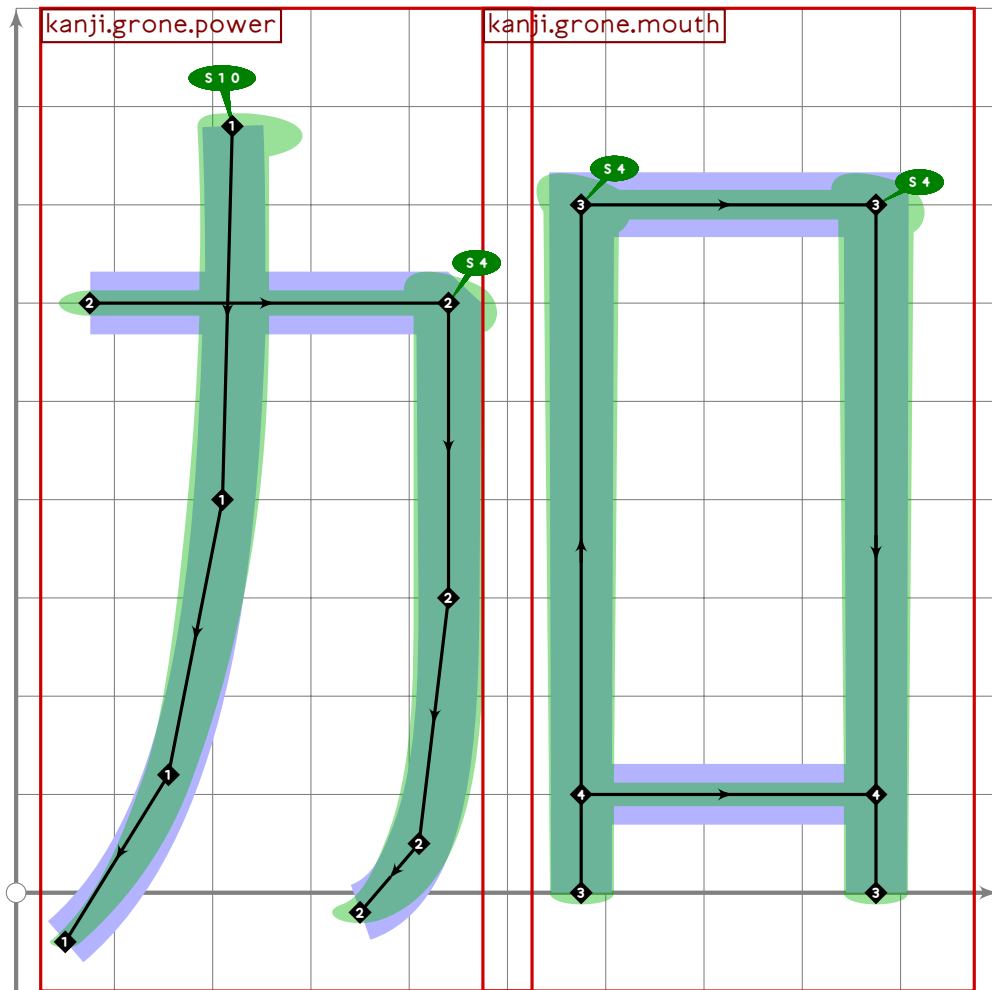
```

```

88
89 vardef tsu_curve.kanji.grtwo.sword =
90   add_proof_box("kanji.grtwo.sword");
91   bp[sp]:=(450,710)..(400,400)..(290,120)..(100,-20);
92   bq[sp]:=(1.5,1.5)-(1.6,1.6)-(1.3,1.3)-(1,1);
93   bp[sp*1]:=(100,710)-(830,710)..tension 1.1..(830,300)..(770,70)..(650,0);
94   bq[sp*1]:=(1.5,1.5)-(1.6,1.6)-(1.6,1.6)-(1.6,1.6)-(1.4,1.4);
95   bo_tip[sp*1][1]:=0;
96   bo_serif[sp*1][1]:=4;
97   sp:=sp*2;
98 enddef;
99
100

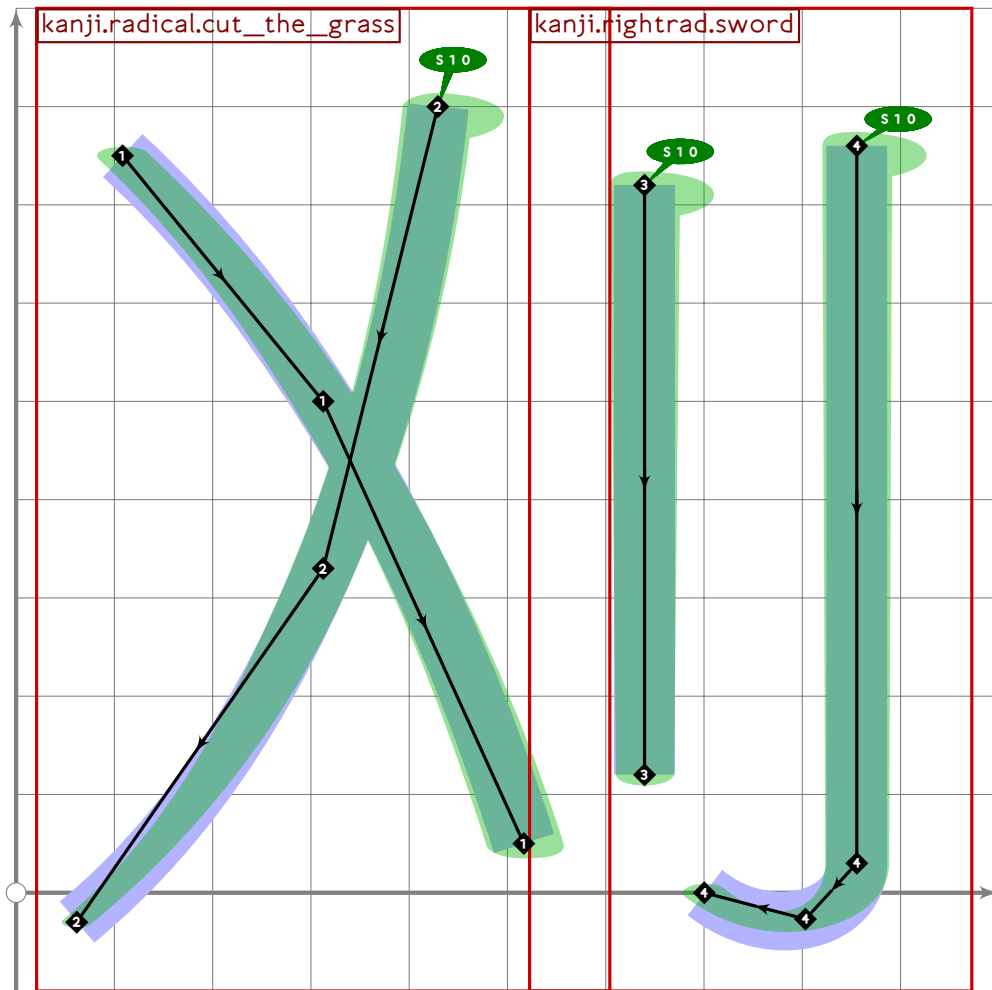
```



```

101
102 vardef tsu_curve.kanji.grfour.addition =
103   add_proof_box("kanji.grfour.addition");
104   build_kanji.level(build_kanji.lr(500,0)
105     (tsu_curve.kanji.grone.power)
106     (tsu_curve.kanji.grone.mouth));
107 enddef;
108
109

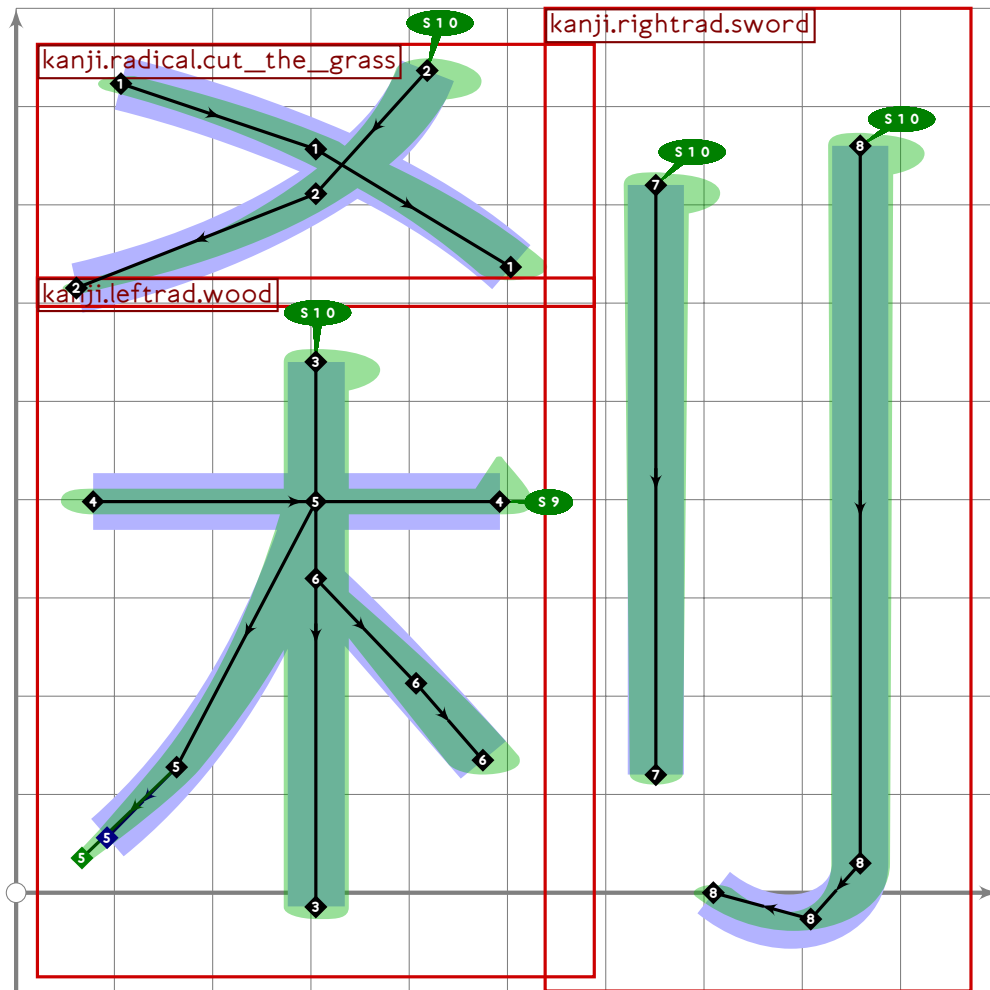
```



```

110
111 vardef tsu_curve.kanji.greight.cut_the_grass =
112   add_proof_box("kanji.greight.cut_the_grass");
113   build_kanji.level(build_kanji.lr(560,30)
114     (tsu_curve.kanji.radical.cut_the_grass)
115     (tsu_curve.kanji.rightrad.sword));
116 enddef;

```



```

117
118 vardef tsu_curve.kanji.greight.temple =
119   add_proof_box("kanji.greight.temple");
120   build_kanji.level(build_kanji.lr(560,0)
121     (build_kanji.tb(600,-20)
122       (tsu_curve.kanji.radical.cut_the_grass)
123       (tsu_curve.kanji.leftrad.wood))
124     (tsu_curve.kanji.rightrad.sword));
125 enddef;

```

126
127

```

128
129 % tou/katana "sword"
130 begint Suglyph("uni5200",0);
131   tsu_curve.kanji.grtwo.sword;
132   tsu_render;
133 endtsuglyph;

```

[see page 1175]

```

134
135 % tou "sword radical"
136 begint Suglyph("uni5202",2);
137   tsu_curve.kanji.rightrad.sword;

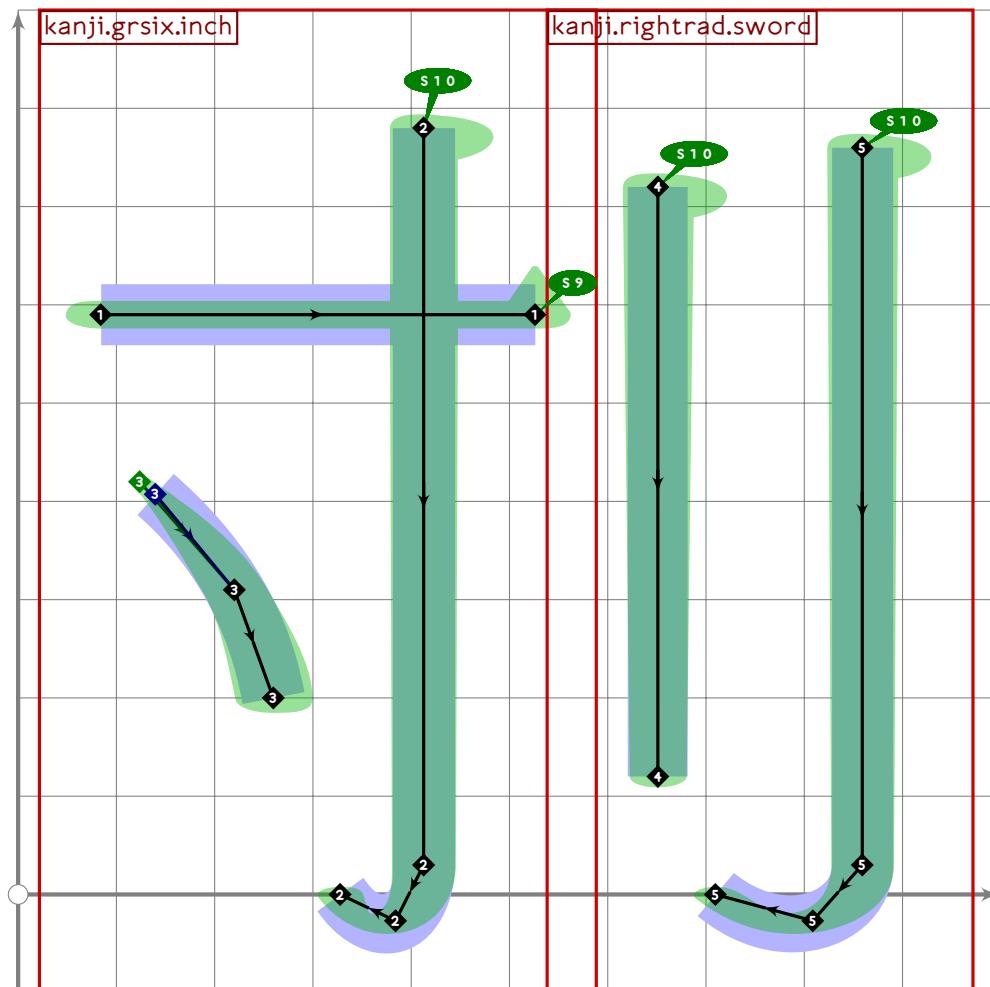
```

[see page 1171]

```

138 tsu_render;
139 endtsuglyph;
140
141 % bun/wa "minute" or "understand" (wakarimasu ka?)
142 begintsuglyph("uni5206";6); [see page 1174]
143 tsu_curve.kanji.grtwo.minute;
144 tsu_render;
145 endtsuglyph;
146
147 % setsu/ki "cut"
148 begintsuglyph("uni5207";7); [see page 1173]
149 tsu_curve.kanji.grtwo.cut;
150 tsu_render;
151 endtsuglyph;
152
153 % gai/ka "mow"
154 begintsuglyph("uni5208";8); [see page 1177]
155 tsu_curve.kanji.greight.cut_the_grass;
156 tsu_render;
157 endtsuglyph;
158

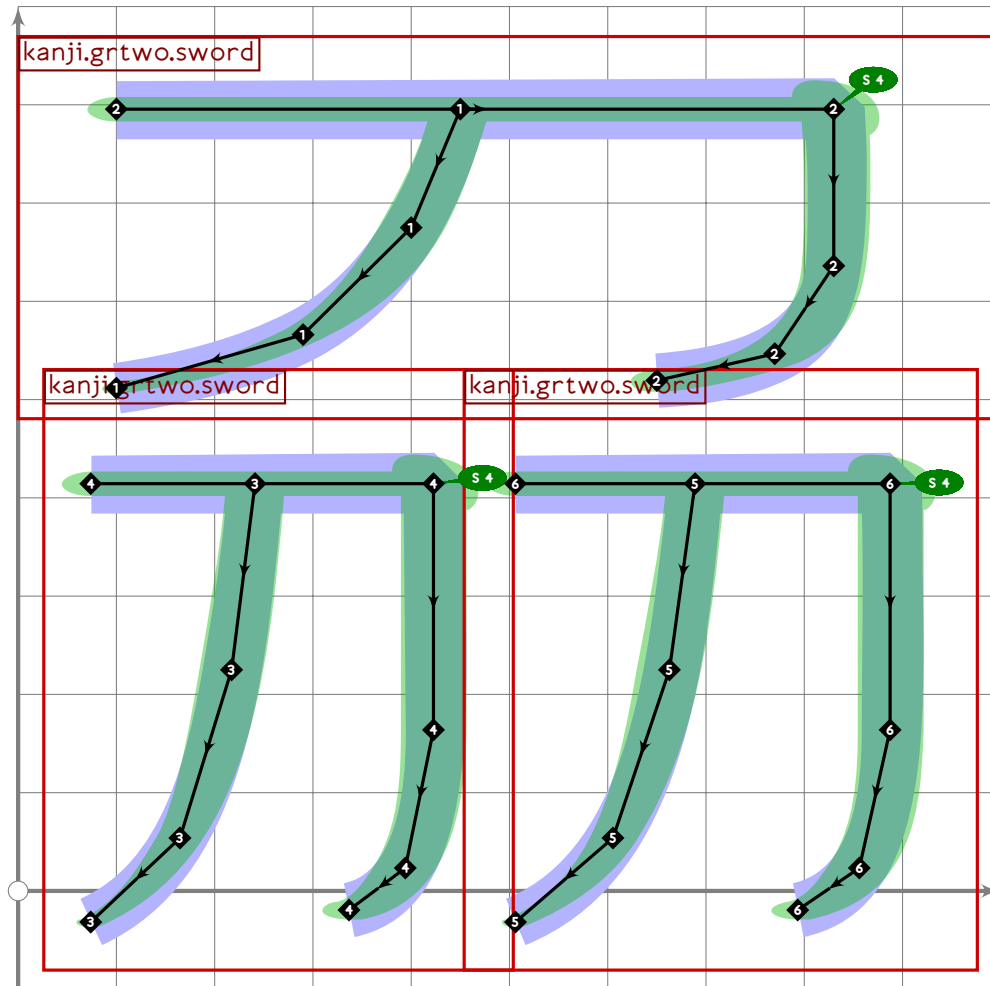
```



```

159 % extra
160 begintsuglyph("uni520C",12);
161 build_kanji.level(build_kanji.lr(560,0)
162   (tsu_curve.kanji.grsix.inch)
163   (tsu_curve.kanji.rightrad.sword));
164 tsu_render;
165 endtsuglyph;
166

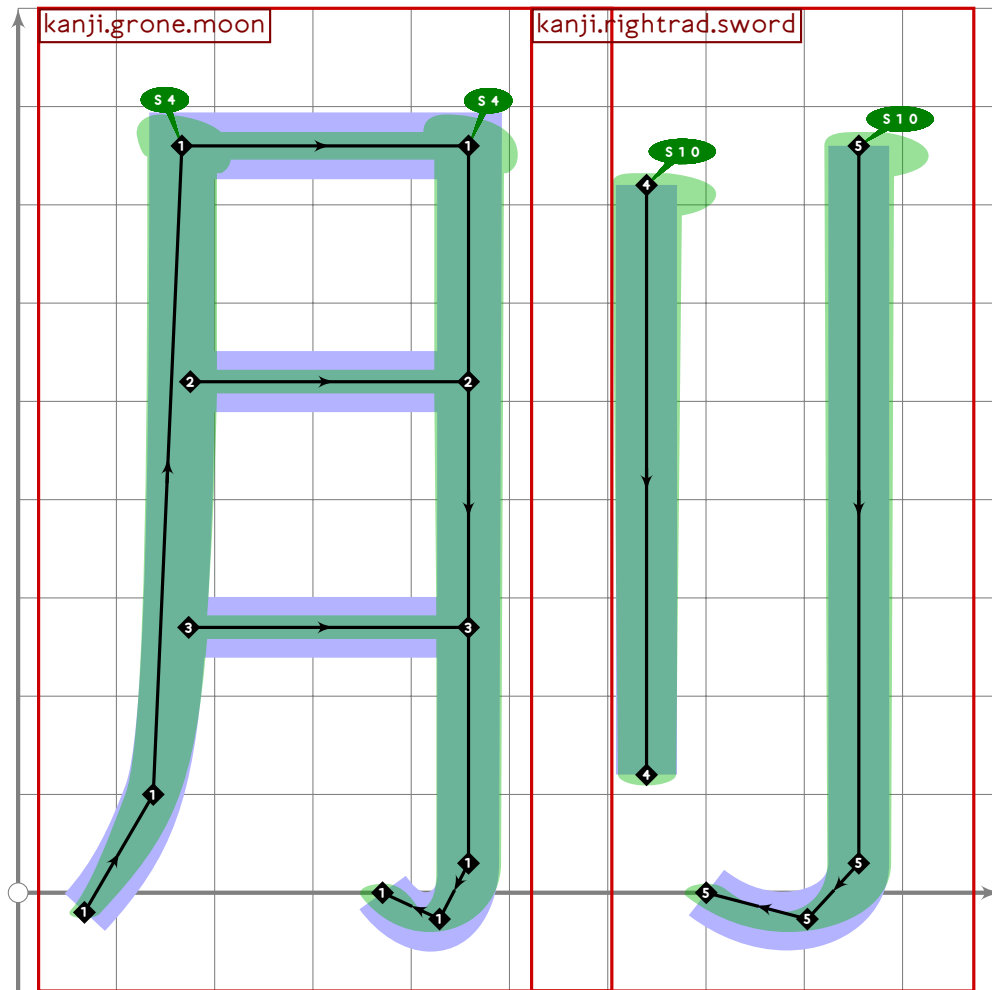
```



```

167 % extra
168 begintsuglyph("uni5215",21);
169 build_kanji.level(build_kanji.tricluster(1)
170   (tsu_curve.kanji.grtwo.sword)
171   (tsu_curve.kanji.grtwo.sword)
172   (tsu_curve.kanji.grtwo.sword));
173 tsu_render;
174 endtsuglyph;
175

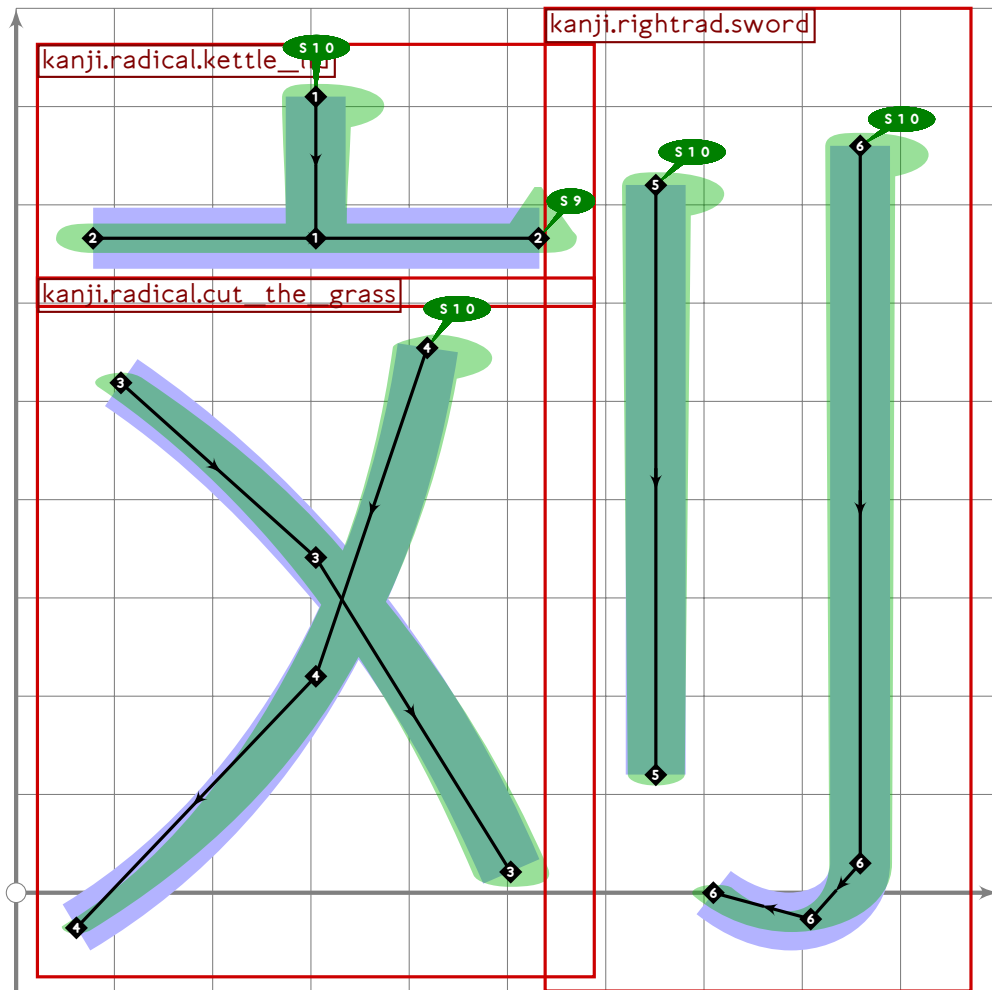
```

```

176 % extra: punishment by cutting off the feet (wtf?)
177 begint Suglyph("uni5216";22);
178 build_kanji.level(build_kanji.lr(560,30)
179   (tsu_curve.kanji.grone.moon)
180   (tsu_curve.kanji.rightrad.sword));
181 tsu_render;
182 endtsuglyph;
183

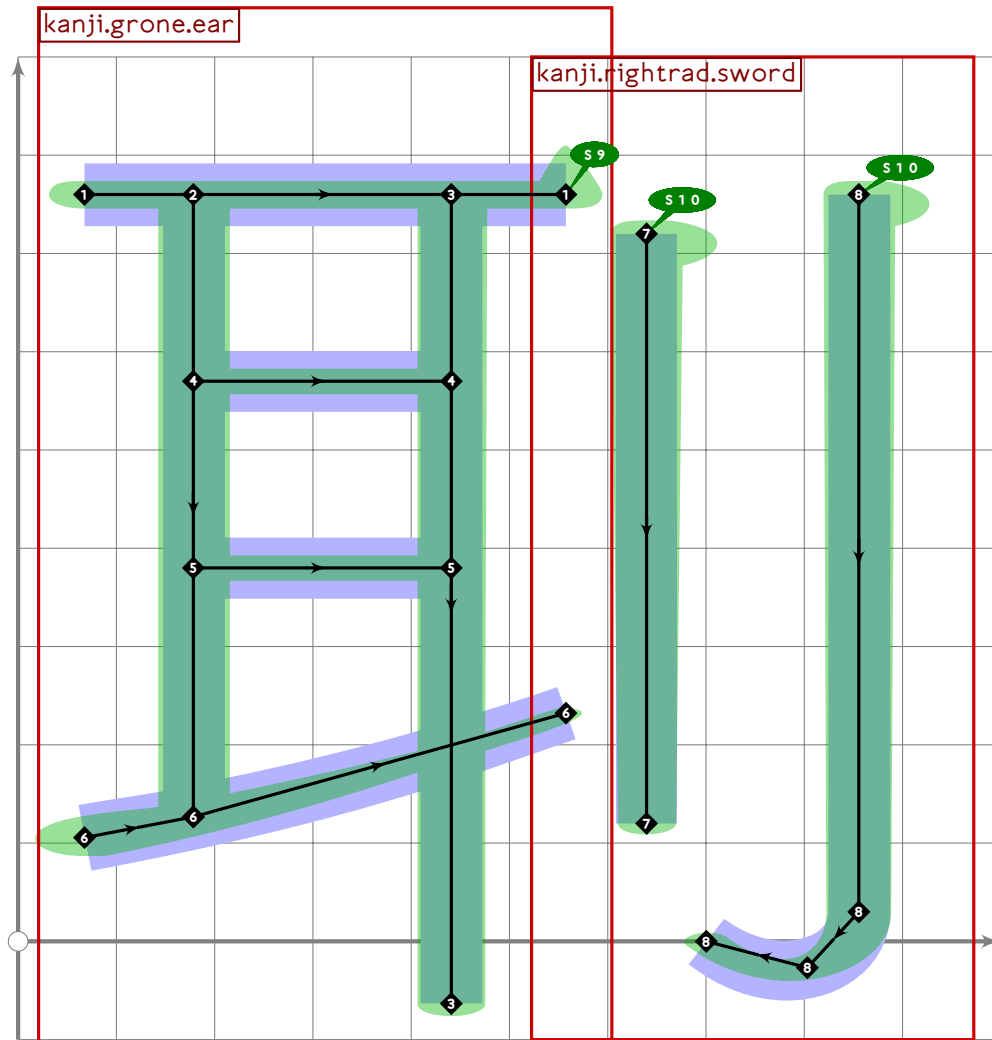
```



```

184 % extra: kill, destroy
185 begint Suglyph("uni5218";24);
186 build_kanji.level(build_kanji.lr(560,0)
187   (build_kanji.tb(600;-20)
188     (tsu_curve.kanji.radical.kettle_lid)
189     (tsu_curve.kanji.radical.cut_the_grass))
190   (tsu_curve.kanji.rightrad.sword));
191 tsu_render;
192 endtsuglyph;
193

```



```

194 % extra: punishment by cutting off the ears
195 begint Suglyph("uni5235";53);
196 build_kanji.level(build_kanji.lr(560,30)
197   (tsu_xform(identity yscaled (760/720))(tsu_curve.kanji.grone.ear))
198   (tsu_curve.kanji.rightrad.sword));
199 tsu_render;
200 endtsuglyph;

```

```

201
202 % satsu "temple/central pillar of pagoda"
203 begint Suglyph("uni5239";57);
204 tsu_curve.kanji.greight.temple;
205 tsu_render;
206 endtsuglyph;

```

[see page 1178]

```

207
208 % zen/mae "before"
209 begint Suglyph("uni524D";77);
210 tsu_curve.kanji.grtwo.before;
211 tsu_render;
212 endtsuglyph;

```

[see page 1172]

213

214 % ryoku "power", as in Koizumi Itsuki has teh "chounouryoku"

215 `begintsuglyph("uni529B";155);`

[see page 348]

216 `tsu_curve.kanji.grone.power;`

217 `tsu_render;`

218 `endtsuglyph;`

219

220 % kuwa "addition", also "Canada"

221 `begintsuglyph("uni52A0";160);`

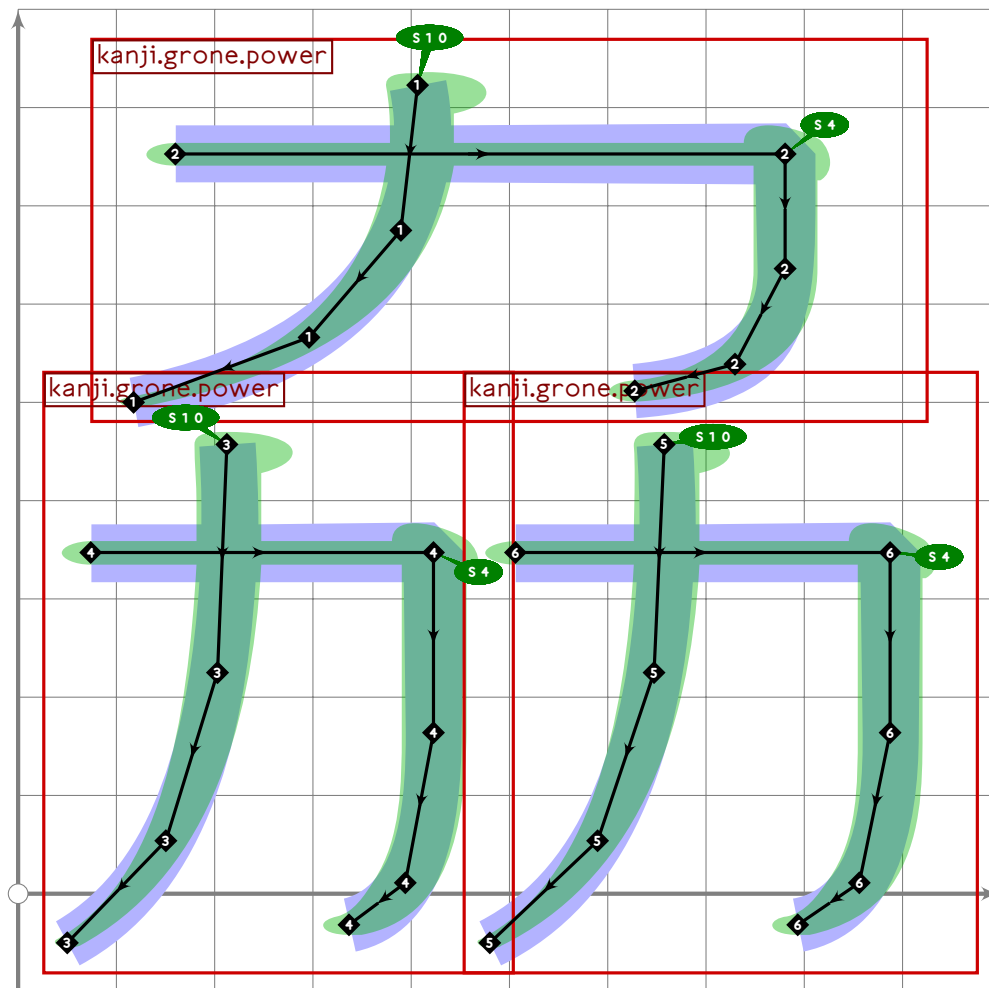
[see page 1176]

222 `tsu_curve.kanji.grfour.addition;`

223 `tsu_render;`

224 `endtsuglyph;`

225



226 % extra

227 `begintsuglyph("uni52A6";166);`

228 `build_kanji.level(build_kanji.tricluster(0.85)`

229 `(tsu_curve.kanji.grone.power)`

230 `(tsu_curve.kanji.grone.power)`

231 `(tsu_curve.kanji.grone.power));`

232 `tsu_render;`

233 `endtsuglyph;`

234

235

236

237 **endfont;**

238

239

tsuku-53.mp

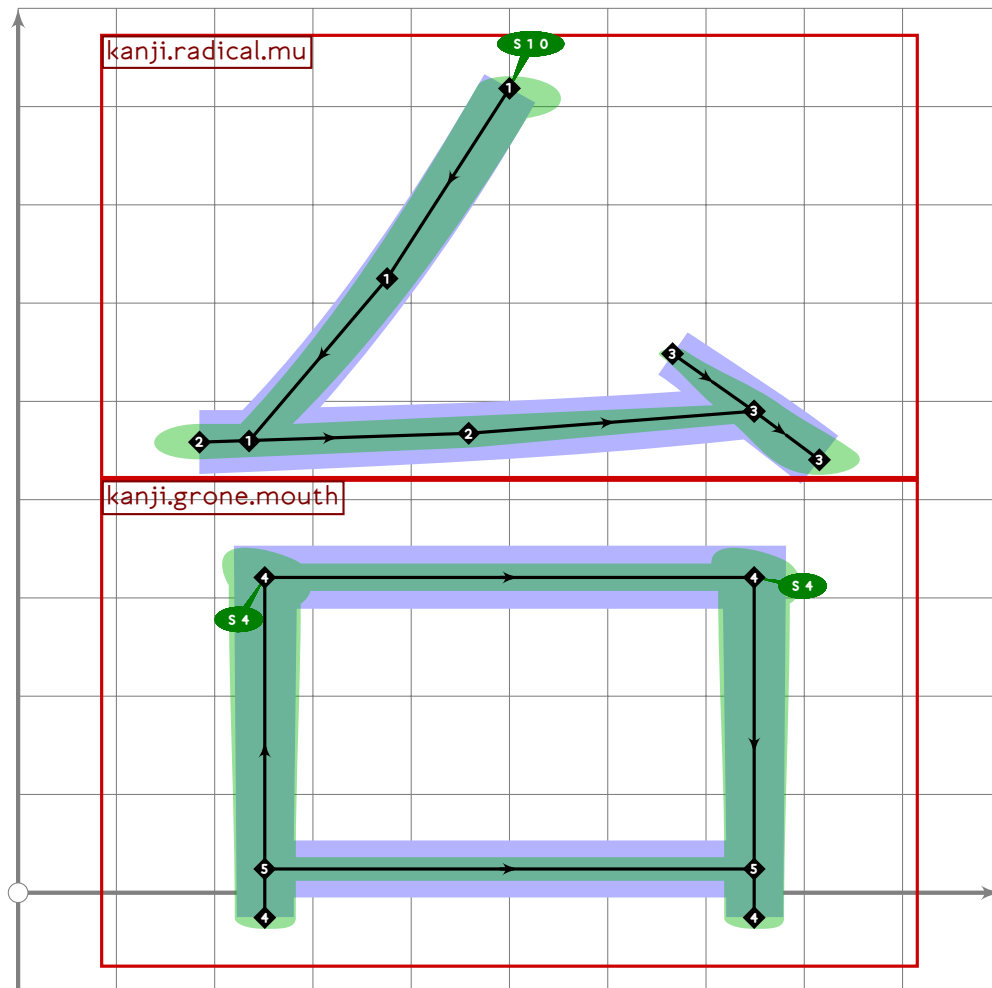
```
1 %
2 % Unicode page 53 (Kanji) for Tsukurimashou
3 % Copyright (C) 2011 Matthew Skala
4 %
5-29 [Standard copyright notice]
30
31 

---


32
33 beginfont
34
35 % AUTODEPS
36 input buildkanji.mp;
37 input gradeeight.mp;
38 input gradefive.mp;
39 input gradenine.mp;
40 input gradeone.mp;
41 input gradethree.mp;
42 input leftrad.mp;
43 input radical.mp;
44
45 

---

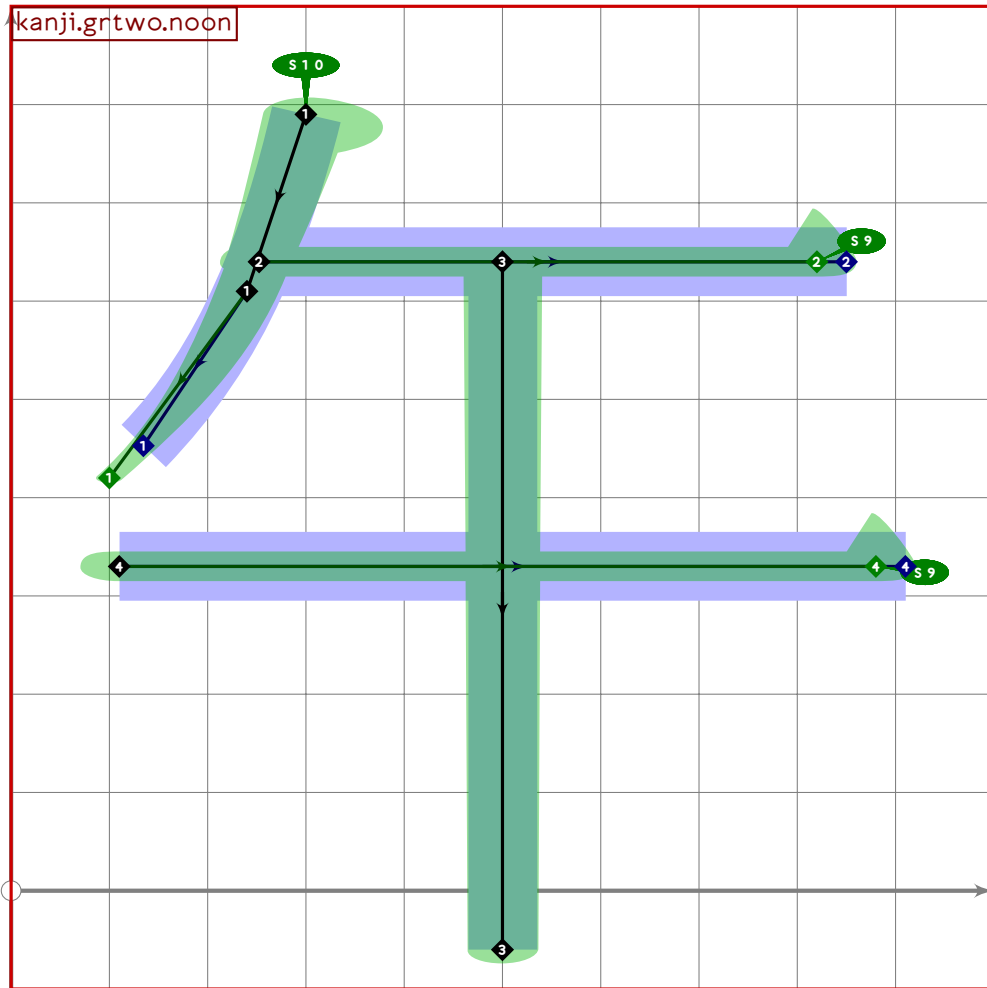

```



```

46
47 vardef tsu_curve.kanji.grtwo.pedastal =
48   add_proof_box("kanji.grtwo.pedastal");
49   build_kanji.sscale(xscaled 0.83)(
50     build_kanji.level(build_kanji.tb(420,-50)
51       (tsu_curve.kanji.radical.mu)
52       (tsu_curve.kanji.grone.mouth)));
53 enddef;

```

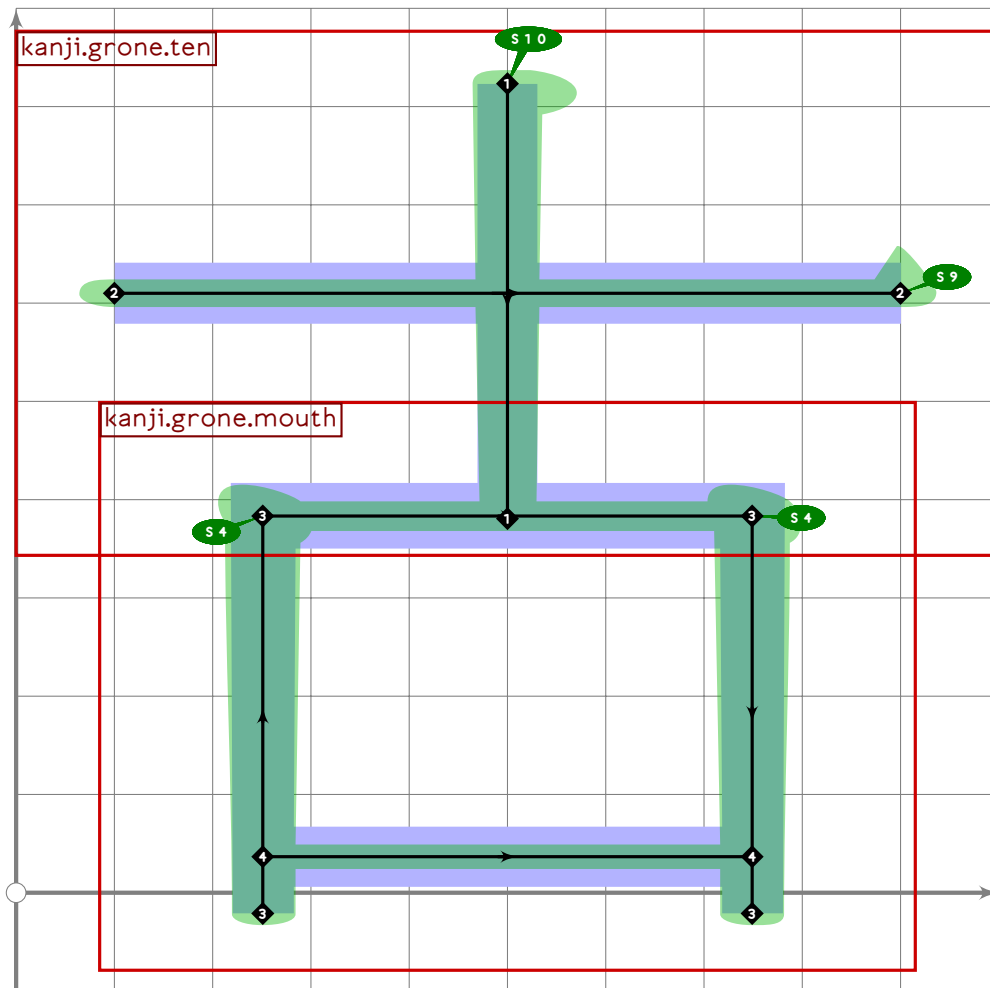


54

```

55 vardef tsu_curve.kanji.grtwo.noon =
56   add_proof_box("kanji.grtwo.noon");
57   bp[sp]:=(300,790)..tension 1.2..(240,610)..(100,420);
58   bq[sp]:=(1.7,1.7)-(1.4,1.4)-(0.9,0.9);
59   bo_serif[sp][0]:=10;
60   bp[sp*1]:=((0,640)-(1000,640) intersectionpoint bp[sp])-
61     (850-30*mincho,640);
62   bq[sp*1]:=(1.6,1.6)-(1.6,1.6);
63   bo_serif[sp*1][1]:=9;
64   bp[sp*2]:=(500,640)-(500,-60);
65   bq[sp*2]:=(1.6,1.6)-(1.5,1.5);
66   bp[sp*3]:=(110,330)-(910-30*mincho,330);
67   bq[sp*3]:=(1.6,1.6)-(1.6,1.6);
68   bo_serif[sp*3][1]:=9;
69   sp:=sp*4;
70 enddef;

```

```

71
72 vardef tsu_curve.kanji.grtwo.old =
73   add_proof_box("kanji.grtwo.old");
74   build_kanji.level(build_kanji.tb(420,100)
75     (tsu_curve.kanji.grone.ten)
76     (build_kanji.sscale(xscaled 0.83)(tsu_curve.kanji.grone.mouth)));
77 enddef;

```

78

79

80

81 % hi/saji "spoon"

82 `begintsuglyph("uni5315",21);`

[see page 310]

83 `tsu_curve.kanji.radical.spoon;`

84 `tsu_render;`

85 `endtsuglyph;`

86

87 % ka/ba "change"

88 `begintsuglyph("uni5316",22);`

[see page 380]

89 `tsu_curve.kanji.grthree.change;`

90 `tsu_render;`

91 `endtsuglyph;`

92

93 % juu/too "ten" [see page 355]
94 `begintsuglyph("uni5341";65);`
95 `tsu_curve.kanji.grone.ten;`
96 `tsu_render;`
97 `endtsuglyph;`

98

99 % sen "one thousand" [see page 345]
100 `begintsuglyph("uni5343";67);`
101 `tsu_curve.kanji.grone.one_thousand;`
102 `tsu_render;`
103 `endtsuglyph;`

104

105 % go/uma "noon" [see page 1188]
106 `begintsuglyph("uni5348";72);`
107 `tsu_curve.kanji.grtwo.noon;`
108 `tsu_render;`
109 `endtsuglyph;`

110

111 % sen/urana "divination" [see page 390]
112 `begintsuglyph("uni5360";96);`
113 `tsu_curve.kanji.greight.divination;`
114 `tsu_render;`
115 `endtsuglyph;`

116

117 % "mu radical" [see page 307]
118 `begintsuglyph("uni53B6";182);`
119 `tsu_curve.kanji.radical.mu;`
120 `tsu_render;`
121 `endtsuglyph;`

122

123 % kou/kuchi "mouth" [see page 341]
124 `begintsuglyph("uni53E3";227);`
125 `tsu_curve.kanji.grone.mouth;`
126 `tsu_render;`
127 `endtsuglyph;`

128

129 % ko/furo "old" [see page 1189]
130 `begintsuglyph("uni53E4";228);`
131 `tsu_curve.kanji.grtwo.old;`
132 `tsu_render;`
133 `endtsuglyph;`

134

135 % tada "only" [see page 395]
136 `begintsuglyph("uni53EA";234);`
137 `tsu_curve.kanji.grnine.only;`
138 `tsu_render;`
139 `endtsuglyph;`

```

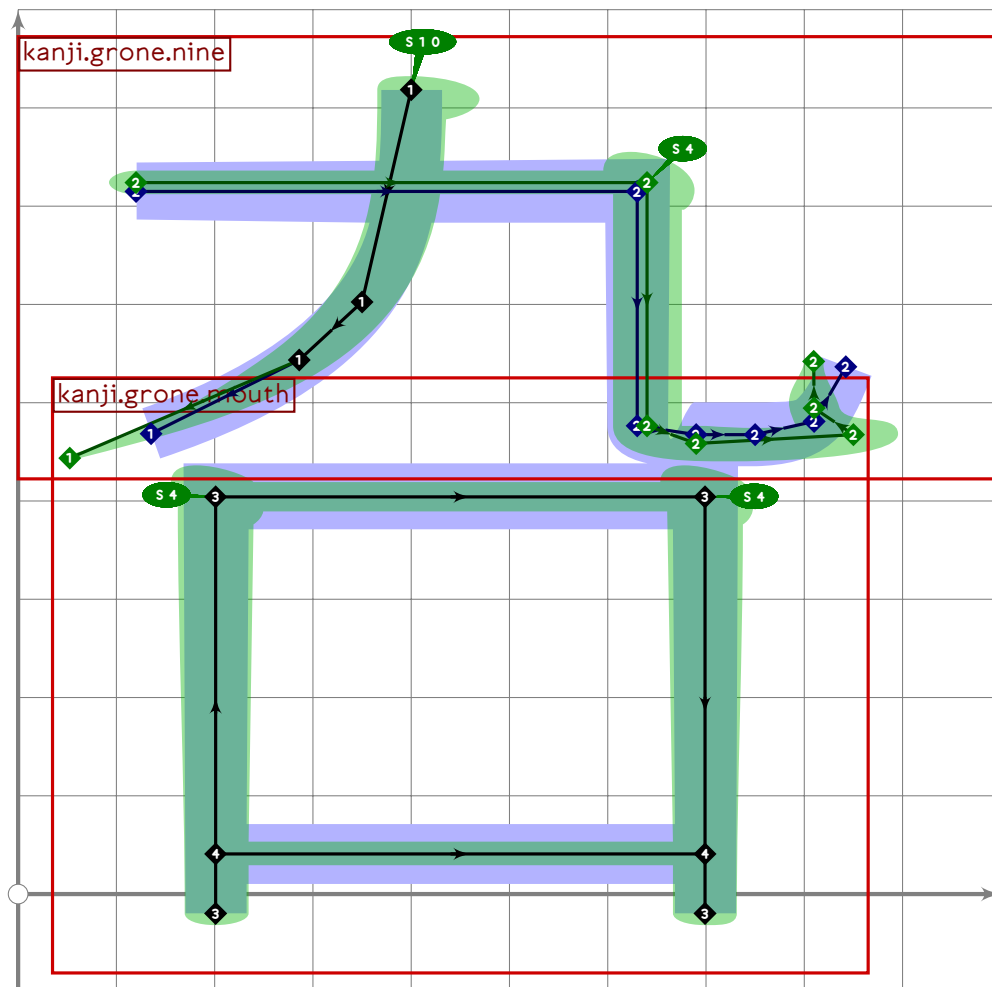
140
141 % ka/be "passable"
142 begintsuglyph("uni53EF";239);
143 tsu_curve.kanji.grfive.passable;
144 tsu_render;
145 endtsuglyph;
146
147 % tai/utana "pedestal"
148 begintsuglyph("uni53F0";240);
149 tsu_curve.kanji.grtwo.pedestal;
150 tsu_render;
151 endtsuglyph;
152
153 % migi "right"
154 begintsuglyph("uni53F3";243);
155 tsu_curve.kanji.grone.right;
156 tsu_render;
157 endtsuglyph;
158

```

[see page 387]

[see page 1187]

[see page 349]



```

159 % extra
160 begintsuglyph("uni53F4";244);

```

```
161 build_kanji.tb(470,50)
162   (tsu_curve.kanji.grone.nine)
163   (build_kanji.sscale(xscaled 0.83 shifted (-50,0))
164     (tsu_curve.kanji.grone.mouth));
165   tsu_render;
166 endtsuglyph;
167


---


168
169
170 endfont;
171


---


172
```

tsuku-54.mp

```
1 %  
2 % Unicode page 54 (Kanji) for Tsukurimashou  
3 % Copyright (C) 2011 Matthew Skala  
4 %
```

```
5-29 [Standard copyright notice]
```

```
30
```

```
31
```

```
32
```

```
33 beginfont
```

```
34
```

```
35 % AUTODEPS
```

```
36 input buildkanji.mp;
```

```
37 input gradefour.mp;
```

```
38 input gradenine.mp;
```

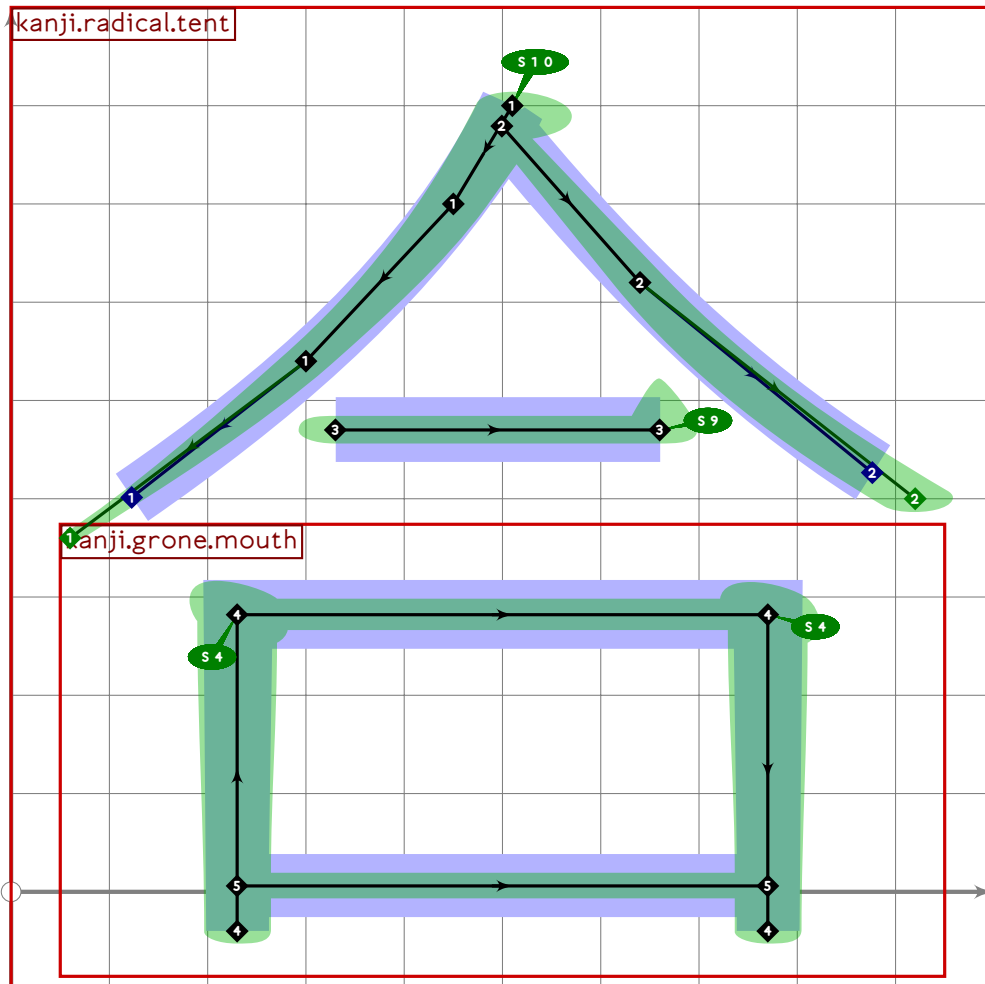
```
39 input gradeone.mp;
```

```
40 input gradethree.mp;
```

```
41 input radical.mp;
```

```
42
```

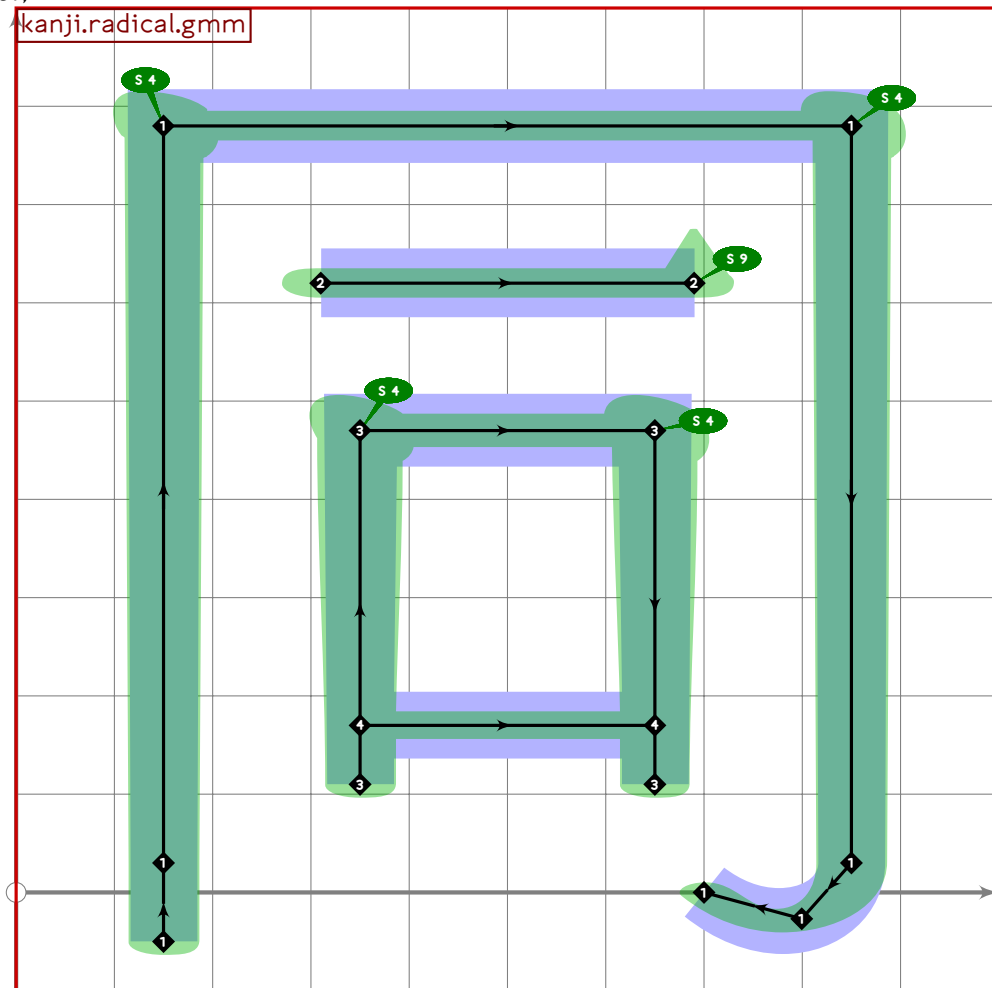
```
43
```



```

44
45 vardef tsu_curve.kanji.grtwo.meet =
46   add_proof_box("kanji.grtwo.meet");
47   build_kanji.level(
48     tsu_curve.kanji.radical.tent;
49     tsu_xform(identity shifted (-500,0) xyscaled (0.9,0.46) shifted (500,-40))
50     (tsu_curve.kanji.grone.mouth);
51   );
52 enddef;

```



```

53
54 vardef tsu_curve.kanji.grtwo.same =
55   add_proof_box("kanji.grtwo.same");
56   tsu_curve.kanji.radical.gmm;
57   bp[sp]:=(310,620)-(690,620);
58   bq[sp]:=(1.6,1.6)-(1.6,1.6);
59   bo_serif[sp][1]:=9;
60   sp:=sp*1;
61   build_kanji.box((350,470),(650,170));
62 enddef;
63
64

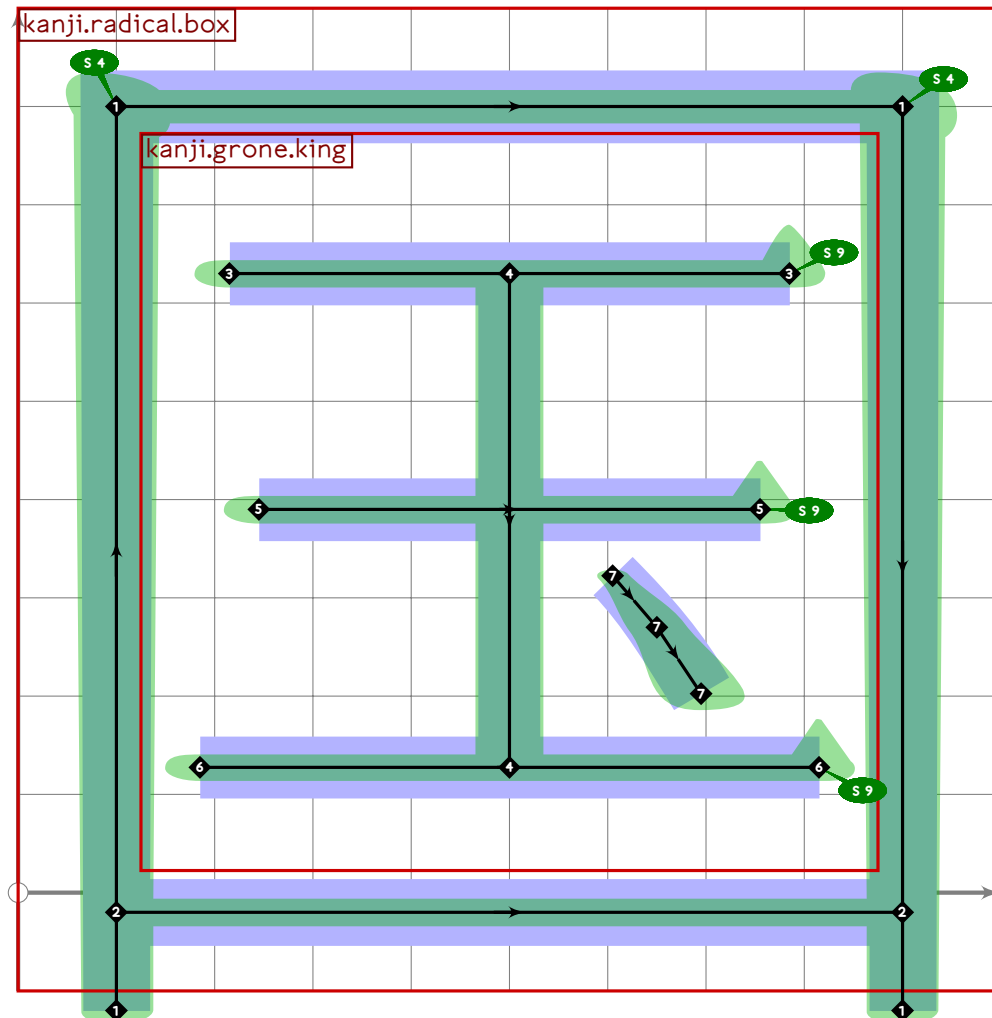
```

65
66 % gou/a "meet"
67 `begintsuglyph("uni5408";8);` [see page 1141]
68 `tsu_curve.kanji.grtwo.meet;`
69 `tsu_render;`
70 `endtsuglyph;`
71
72 % dou/onaji "the same"
73 `begintsuglyph("uni540C";12);` [see page 1194]
74 `tsu_curve.kanji.grtwo.same;`
75 `tsu_render;`
76 `endtsuglyph;`
77
78 % na "name"
79 `begintsuglyph("uni540D";13);` [see page 342]
80 `tsu_curve.kanji.grone.name;`
81 `tsu_render;`
82 `endtsuglyph;`
83
84 % go/ware "my, mine"
85 `begintsuglyph("uni543E";62);` [see page 394]
86 `tsu_curve.kanji.grnine.my;`
87 `tsu_render;`
88 `endtsuglyph;`
89
90 % koku "revelation"
91 `begintsuglyph("uni544A";74);` [see page 386]
92 `tsu_curve.kanji.grfour.revelation;`
93 `tsu_render;`
94 `endtsuglyph;`
95
96 % hin.shina "goods"
97 `begintsuglyph("uni54C1";193);` [see page 382]
98 `tsu_curve.kanji.grthree.goods;`
99 `tsu_render;`
100 `endtsuglyph;`
101
102

103
104 `endfont;`
105
106

tsuku-56.mp

```
1 %  
2 % Unicode page 56 (Kanji) for Tsukurimashou  
3 % Copyright (C) 2011 Matthew Skala  
4 %  
5-29 [Standard copyright notice]  
30  
31 _____  
32  
33 beginfont  
34  
35 % AUTODEPS  
36 input buildkanji.mp;  
37 input gradeone.mp;  
38 input gradesix.mp;  
39 input gradetwo.mp;  
40 input radical.mp;  
41  
42 _____
```



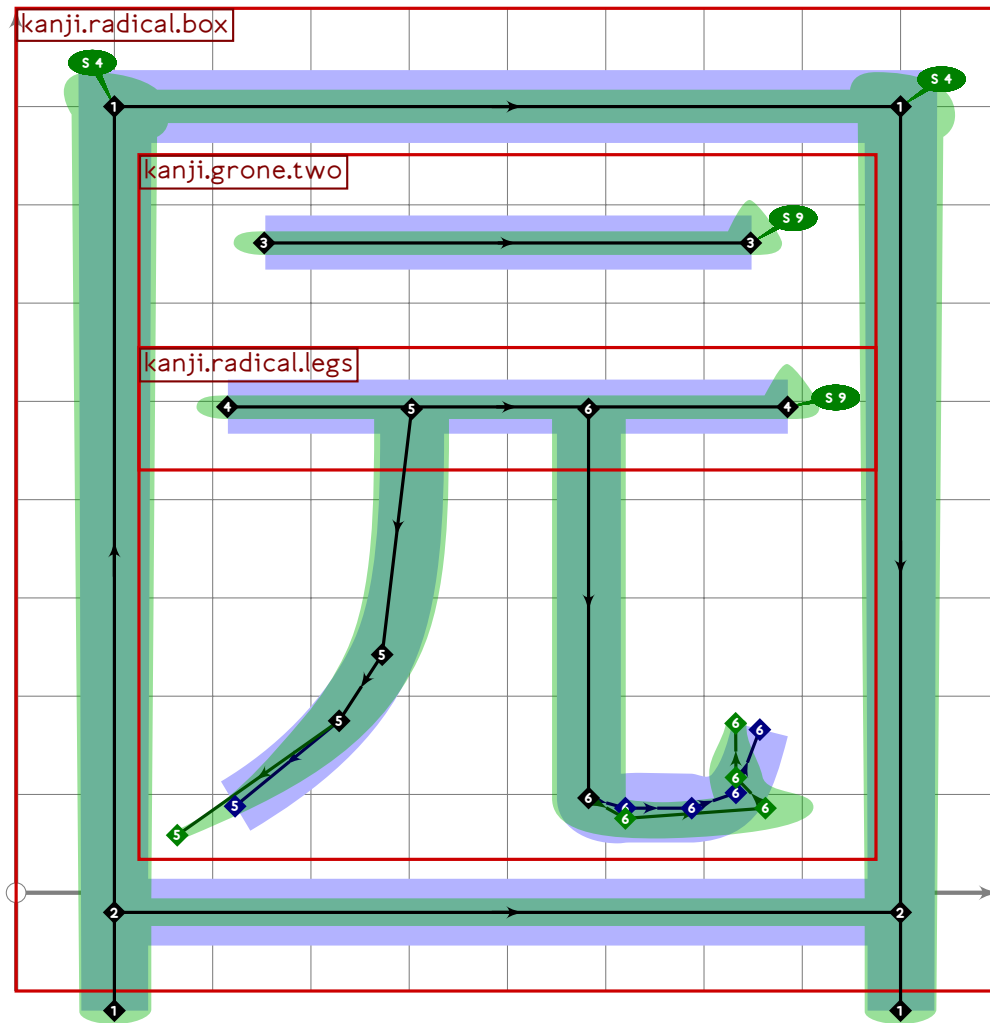

```

43
44 vardef tsu_curve.kanji.grtwo.country =
45   add_proof_box("kanji.grtwo.country");
46   tsu_curve.kanji.radical.box;
47   build_kanji.sscale(scaled 0.75)(tsu_curve.kanji.grone.ball);
48 enddef;
49
50 

---


51
52 % box radical
53 begintsuglyph("uni56D7",215); [see page 302]
54   tsu_curve.kanji.radical.box;
55   tsu_render;
56 endtsuglyph;
57
58 % shi/yon "four"
59 begintsuglyph("uni54DB",219); [see page 332]
60   tsu_curve.kanji.grone.four;
61   tsu_render;
62 endtsuglyph;
63
64 % kai "counter for occurrences"
65 begintsuglyph("uni54DE",222); [see page 376]
66   tsu_curve.kanji.grtwo.occurrences;
67   tsu_render;
68 endtsuglyph;
69

```



```

70 % extra
71 begintsuglyph("uni56ED";237);
72 tsu_curve.kanji.radical.box;
73 build_kanji.sscale(scaled 0.75)(tsu_curve.kanji.grtwo.origin);
74 tsu_render;
75 endtsuglyph;

```

```

76
77 % koma "bothered"
78 begintsuglyph("uni56F0";240);
79 tsu_curve.kanji.grsix.bothered;
80 tsu_render;
81 endtsuglyph;

```

[see page 388]

```

82
83 % koku/kuni "country"
84 begintsuglyph("uni56FD";253);
85 tsu_curve.kanji.grtwo.country;
86 tsu_render;
87 endtsuglyph;

```

[see page 1197]

88
89

90

91 **endfont;**

92

93

tsuku-57.mp

```
1 %
2 % Unicode page 57 (Kanji) for Tsukurimashou
3 % Copyright (C) 2011 Matthew Skala
4 %
5-29 [Standard copyright notice]
30
31 

---


32
33 beginfont
34
35 % AUTODEPS
36 input gradeone.mp;
37
38 

---


39
40 % tsuchi/do "earth"
41 begintsuglyph("uni571F",31); [see page 326]
42 tsu_curve.kanji.grone.earth;
43 tsu_render;
44 endtsuglyph;
45
46 

---


47
48 endfont;
49
50 

---


```

tsuku-58.mp

```
1 %  
2 % Unicode page 58 (Kanji) for Tsukurimashou  
3 % Copyright (C) 2011 Matthew Skala  
4 %
```

```
5-29 [Standard copyright notice]
```

```
30
```

```
31
```

```
32
```

```
33 beginfont
```

```
34
```

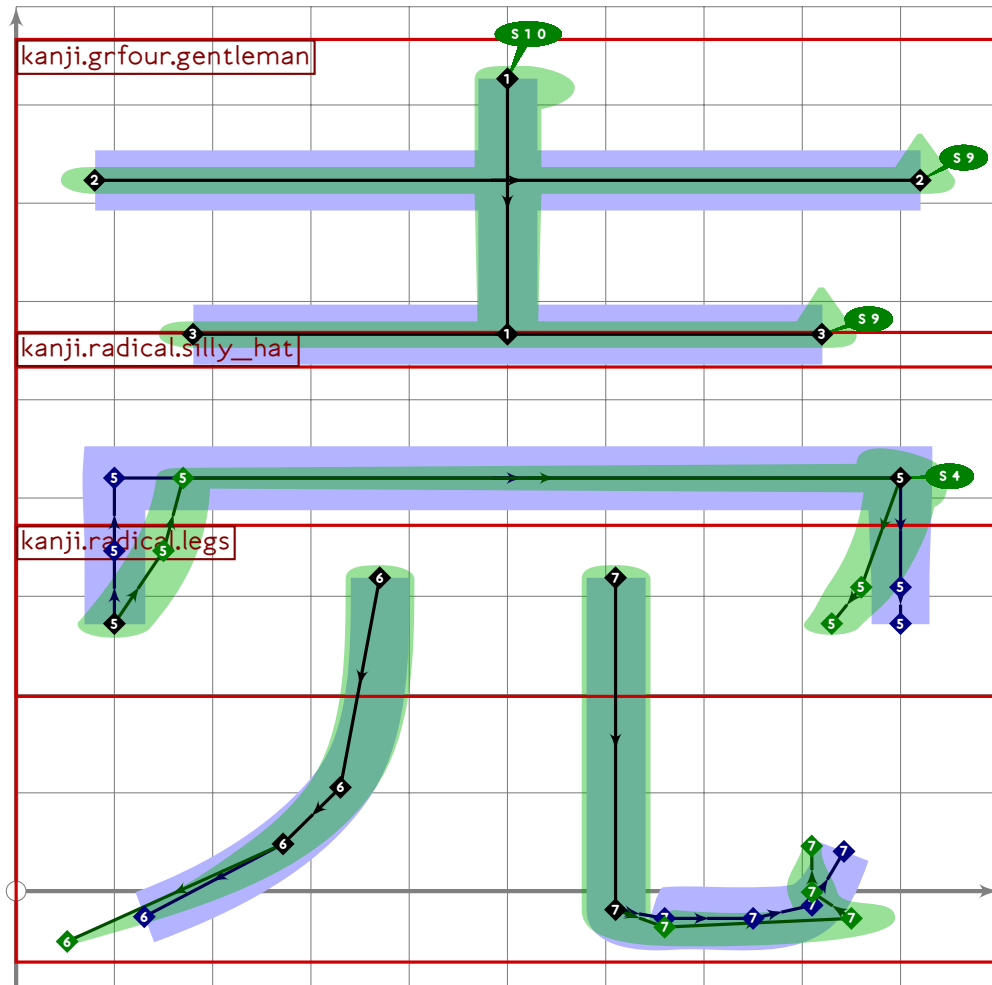
```
35 % AUTODEPS
```

```
36 input buildkanji.mp;
```

```
37 input radical.mp;
```

```
38
```

```
39
```



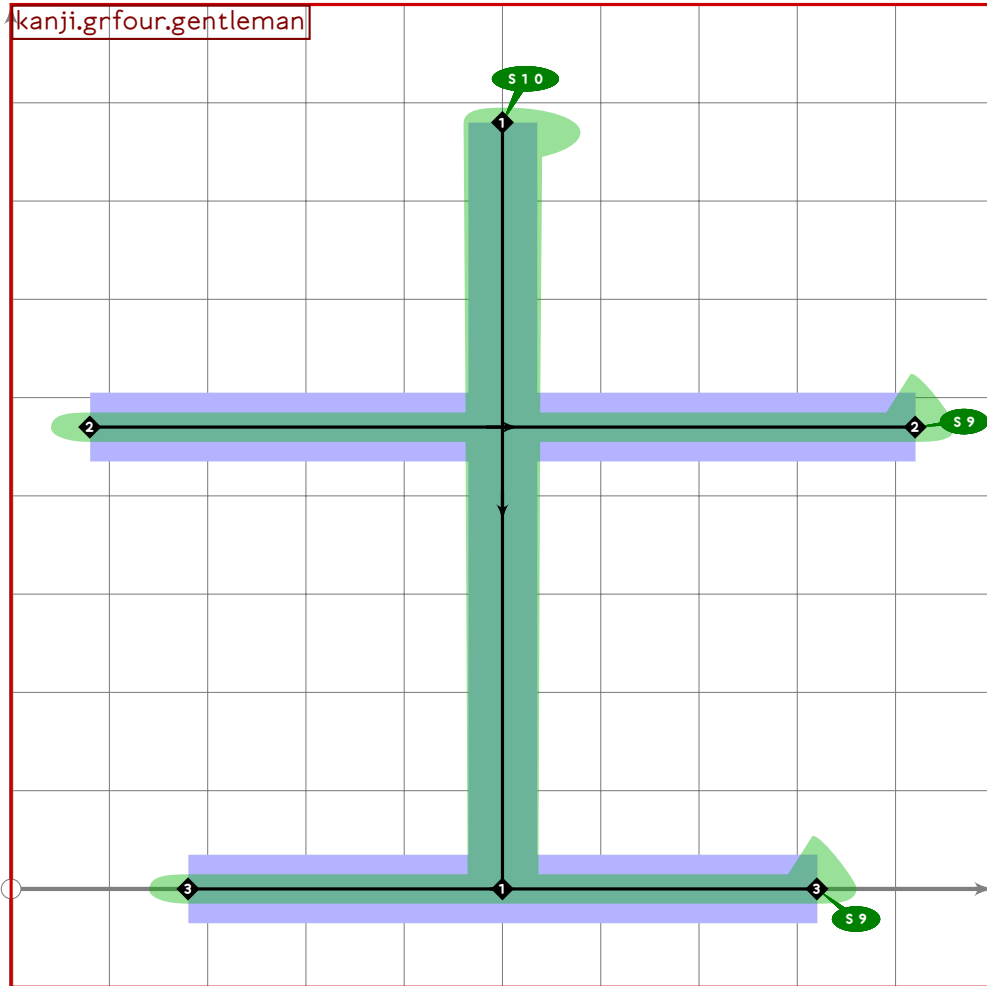
```
40
```

```
41 vardef tsu_curve.kanji.grtwo.sell =  
42   add_proof_box("kanji.grtwo.sell");  
43   build_kanji.level(build_kanji.tb(550,0)
```

```

44 (tsu_curve.kanji.grfour.gentleman)
45 (build_kanji.tb(450,200)
46 (tsu_curve.kanji.radical.silly_hat;
47 bo_size[sp-2]:=0)
48 (tsu_curve.kanji.radical.legs));
49 endif;
50
51

```



```

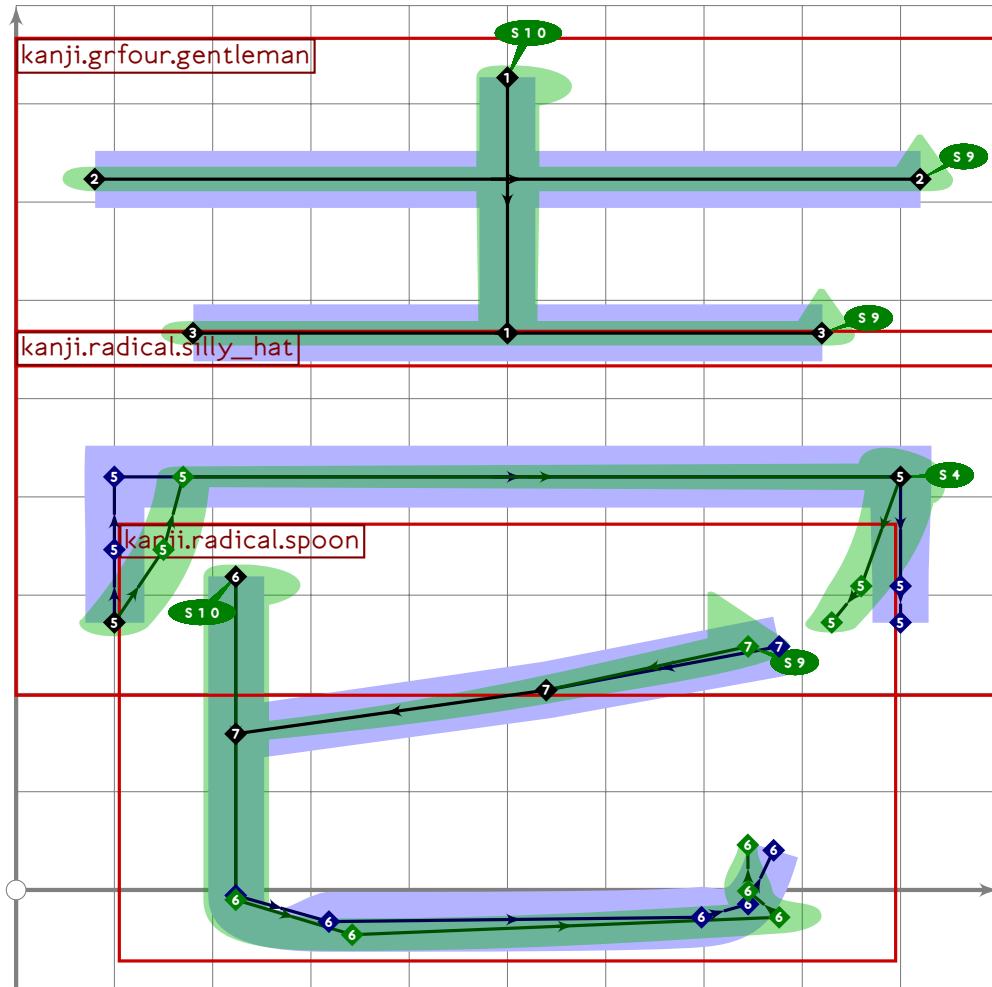
52
53 vardef tsu_curve.kanji.grfour.gentleman =
54 add_proof_box("kanji.grfour.gentleman");
55 bp[sp]:=(500,780)-(500,0);
56 bq[sp]:=(1.6,1.6)-(1.5,1.5);
57 bo_serif[sp][0]:=10;
58 bp[sp*1]:=(80,470)-(920,470);
59 bq[sp*1]:=(1.6,1.6)-(1.6,1.6);
60 bo_serif[sp*1][1]:=9;
61 bp[sp*2]:=(180,0)-(820,0);
62 bq[sp*2]:=(1.6,1.6)-(1.6,1.6);
63 bo_serif[sp*2][1]:=9;
64 sp:=sp*3;

```

```

65 endif;
66
67

```



```

68
69 vardef tsu_curve.kanji.greight.legal_one =
70   add_proof_box("kanji.greight.legal_one");
71   build_kanji.level(build_kanji.tb(550,0)
72     (tsu_curve.kanji.grfour.gentleman)
73     (build_kanji.tb(450,200)
74       (tsu_curve.kanji.radical.silly_hat;
75         bo_size[sp-2]:=0)
76       (build_kanji.sscale(xscaled 0.79)
77         (tsu_curve.kanji.radical.spoon))));
78 endif;
79

```

```

80
81
82 % shi "gentleman" ("samurai" radical)
83 begint Suglyph("uni58EB",235);
84   tsu_curve.kanji.grfour.gentleman;
85   tsu_render;

```

[see page 1202]

```
86 endtsuglyph;
87
88 % ichi/hitotsu "one" (formal, also first musical scale degree)
89 begintsuglyph("uni58F1",241); [see page 1203]
90 tsu_curve.kanji.greight.legal_one;
91 tsu_render;
92 endtsuglyph;
93
94 % bai/u "sell"
95 begintsuglyph("uni58F2",242); [see page 1201]
96 tsu_curve.kanji.grtwo.sell;
97 tsu_render;
98 endtsuglyph;
99
100 

---

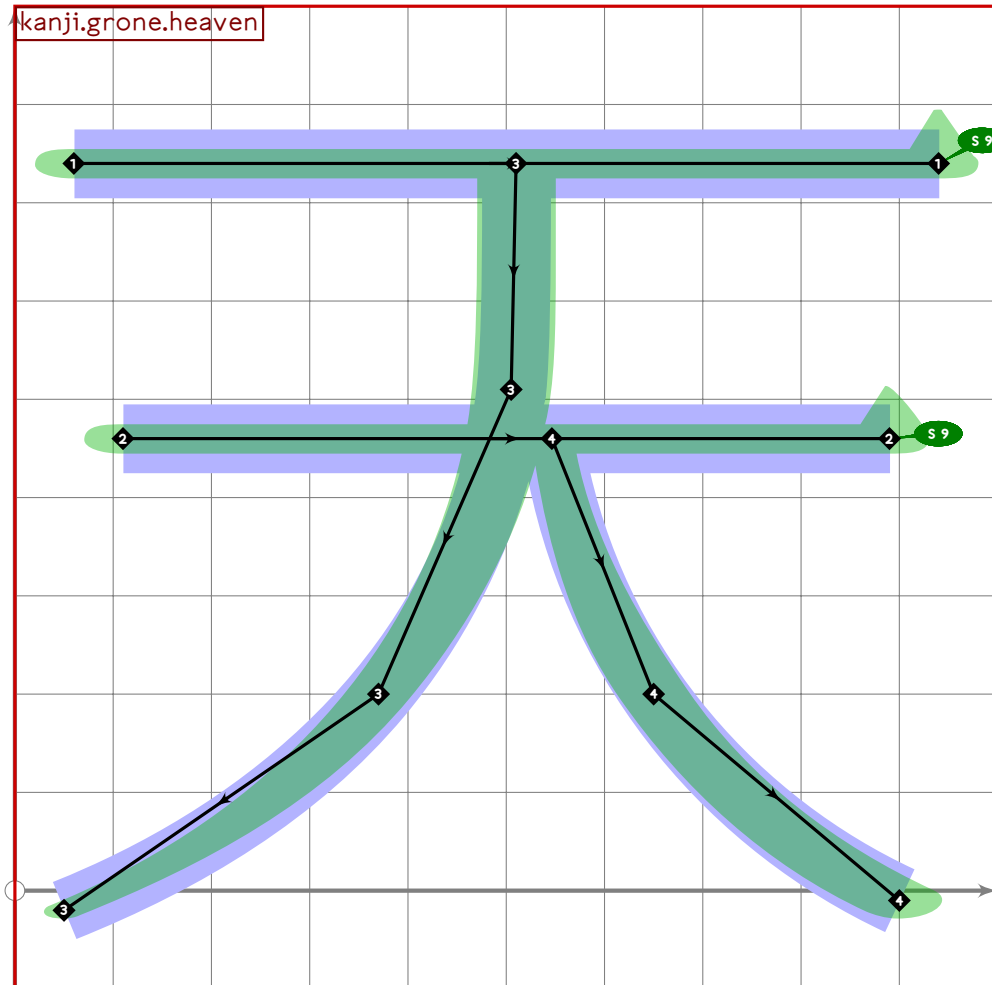

101
102 endfont;
103
104 

---


```


tsuku-59.mp

```
1 %  
2 % Unicode page 59 (Kanji) for Tsukurimashou  
3 % Copyright (C) 2011 Matthew Skala  
4 %  
5-29 [Standard copyright notice]  
30  
31 _____  
32  
33 beginfont  
34  
35 % AUTODEPS  
36 input buildkanji.mp;  
37 input gradefour.mp;  
38 input gradeone.mp;  
39 input gradethree.mp;  
40 input gradetwo.mp;  
41  
42 _____
```

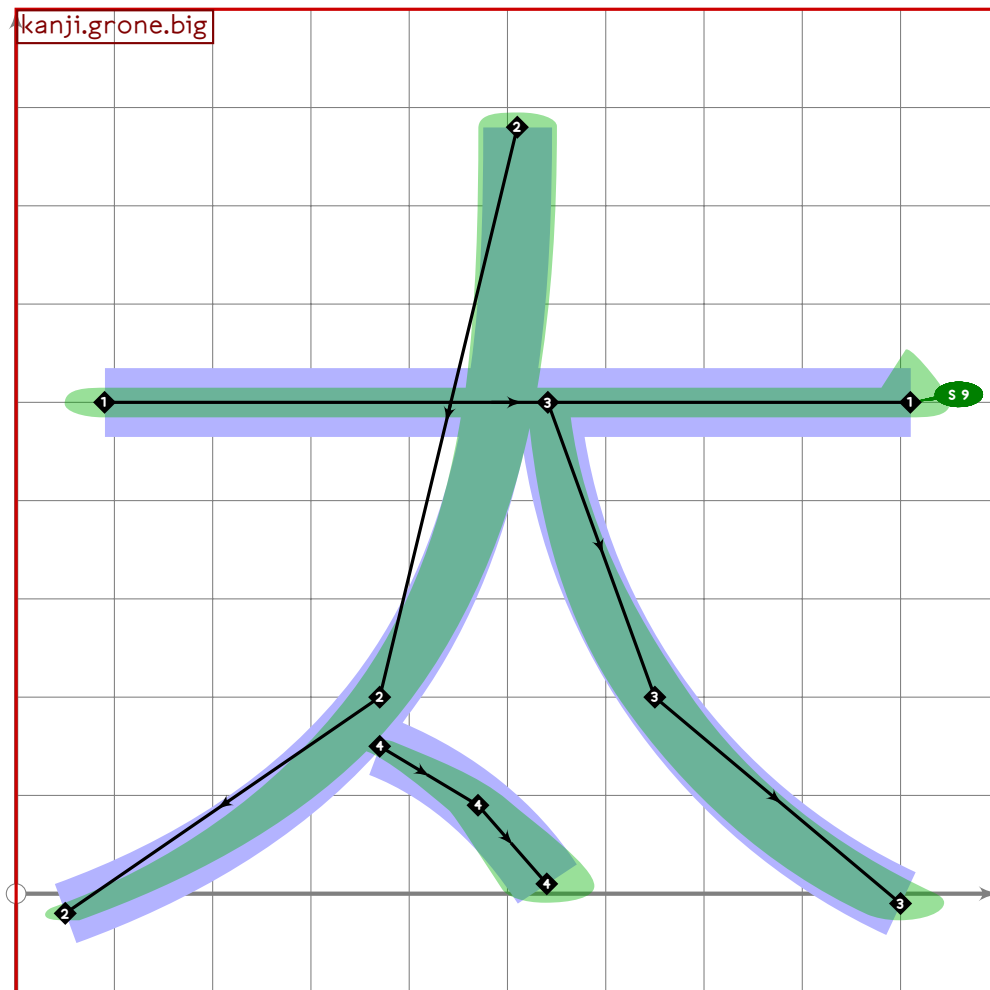


43

```

44 vardef tsu_curve.kanji.grone.heaven =
45   add_proof_box("kanji.grone.heaven");
46   bp[sp]:=(60,740)-(940,740);
47   bq[sp]:=(1.6,1.6)-(1.6,1.6);
48   bo_serif[sp][1]:=9;
49   bp[sp*1]:=(110,460)-(890,460);
50   bq[sp*1]:=(1.6,1.6)-(1.6,1.6);
51   bo_serif[sp*1][1]:=9;
52   bp[sp*2]:=(510,740){down}..(505,510)..(370,200)..{curl 0.5}(50,-20);
53   bq[sp*2]:=(1.6,1.6)-(1.6,1.6)-(1.4,1.4)-(1.1,1.1);
54   bp[sp*3]:=((bp[sp*1] intersectionpoint bp[sp*2])*(50,0))..
55     (650,200)..(900,10);
56   bq[sp*3]:=(1.1,1.1)-(1.5,1.5)-(1.7,1.7);
57   sp:=sp*4;
58 enddef;
59
60

```



```

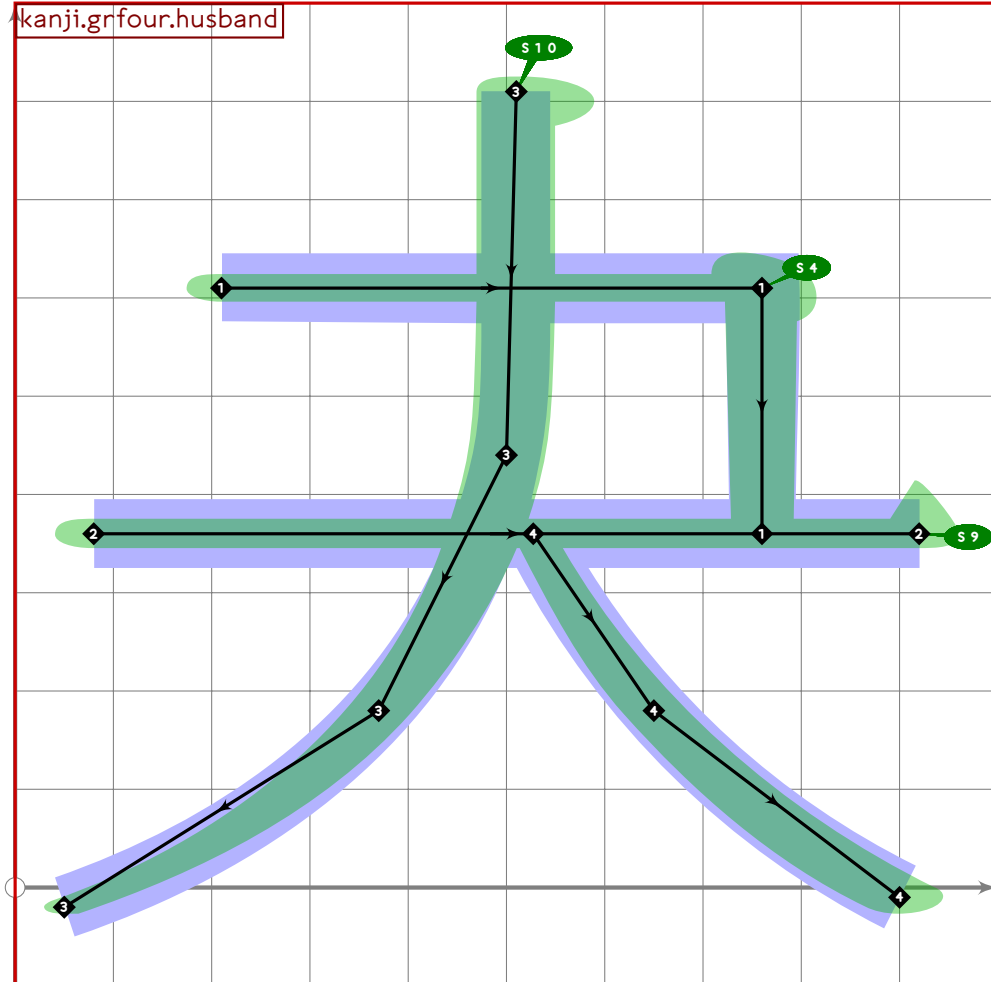
61
62 vardef tsu_curve.kanji.grtwo.thick =
63   add_proof_box("kanji.grtwo.thick");
64   tsu_curve.kanji.grone.big;

```

```

65 bp[sp]:=(370,150)..(470,90)..(540,10);
66 bq[sp]:=(1,1)-(1.4,1.4)-(1.8,1.8);
67 sp:=sp*1;
68 enddef;
69
70

```



```

71
72 vardef tsu_curve.kanji.rare.decide =
73   add_proof_box("kanji.rare.decide");
74   tsu_curve.kanji.grfour.husband;
75   bp[sp-4]:=(210,610)-(760,610)-(760,360);
76   bq[sp-4]:=(1.5,1.5)-(1.5,1.5)-(1.4,1.4);
77   bo_serif[sp-4][1]:=4;
78   bo_tip[sp-4][1]:=1;
79 enddef;
80
81

```

```

82
83 % yuu/seki "evening"
84 begint Suglyph("uni5915",21);
85 tsu_curve.kanji.grone.evening;

```

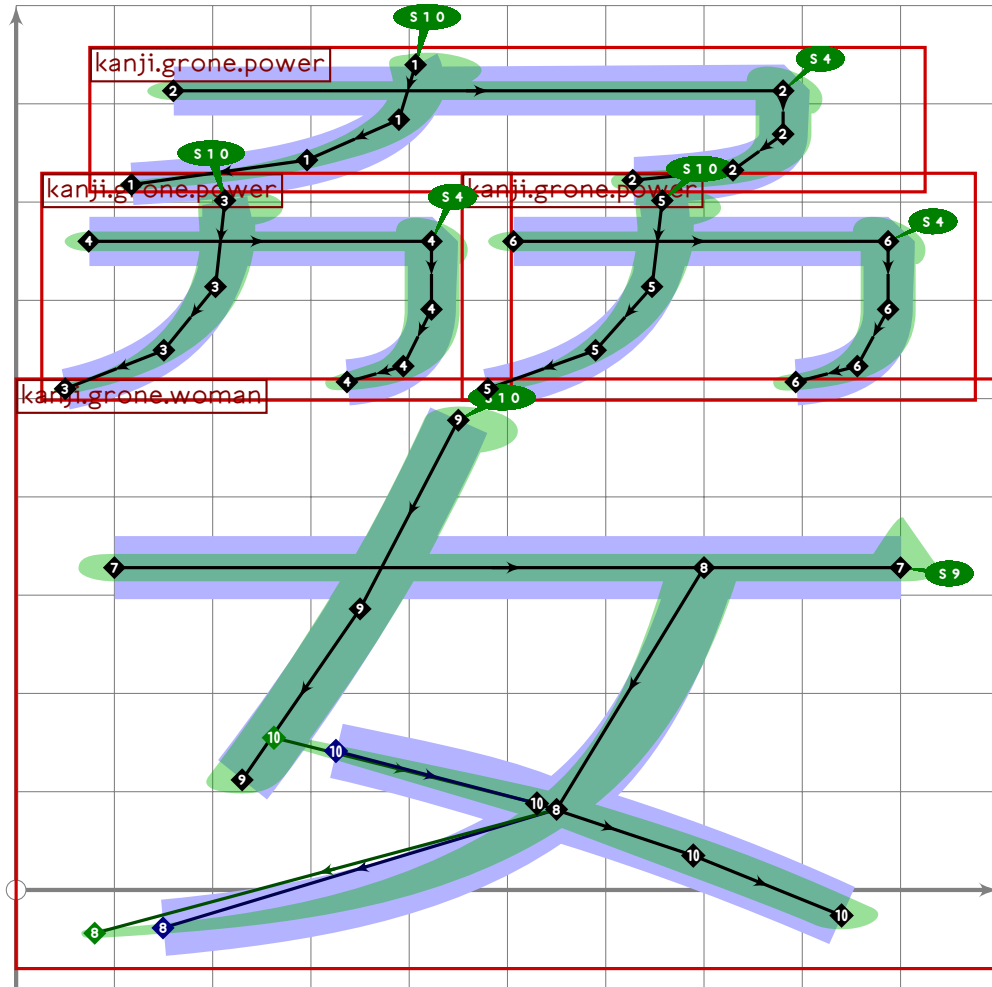
[see page 328]

86 `tsu_render;`
87 `endtsuglyph;`
88
89 `% ta/oo "many"`
90 `begintsuglyph("uni591A";26);` [see page 373]
91 `tsu_curve.kanji.grtwo.many;`
92 `tsu_render;`
93 `endtsuglyph;`
94
95 `% dai/oo "big"`
96 `begintsuglyph("uni5927";39);` [see page 316]
97 `tsu_curve.kanji.grone.big;`
98 `tsu_render;`
99 `endtsuglyph;`
100
101 `% ten "heaven"`
102 `begintsuglyph("uni5929";41);` [see page 1206]
103 `tsu_curve.kanji.grone.heaven;`
104 `tsu_render;`
105 `endtsuglyph;`
106
107 `% tai/futo "thick"`
108 `begintsuglyph("uni592A";42);` [see page 1206]
109 `tsu_curve.kanji.grtwo.thick;`
110 `tsu_render;`
111 `endtsuglyph;`
112
113 `% fu/otto "husband"`
114 `begintsuglyph("uni592B";43);` [see page 385]
115 `tsu_curve.kanji.grfour.husband;`
116 `tsu_render;`
117 `endtsuglyph;`
118
119 `% rare, but needed to build more common glyphs`
120 `begintsuglyph("uni592C";44);` [see page 1207]
121 `tsu_curve.kanji.rare.decide;`
122 `tsu_render;`
123 `endtsuglyph;`
124
125 `% ou "centre"`
126 `begintsuglyph("uni592E";46);` [see page 379]
127 `tsu_curve.kanji.grthree.centre;`
128 `tsu_render;`
129 `endtsuglyph;`
130
131 `% jo/onna "woman"`
132 `begintsuglyph("uni5973";115);` [see page 364]
133 `tsu_curve.kanji.grone.woman;`

```

134 tsu_render;
135 endtsuglyph;
136

```



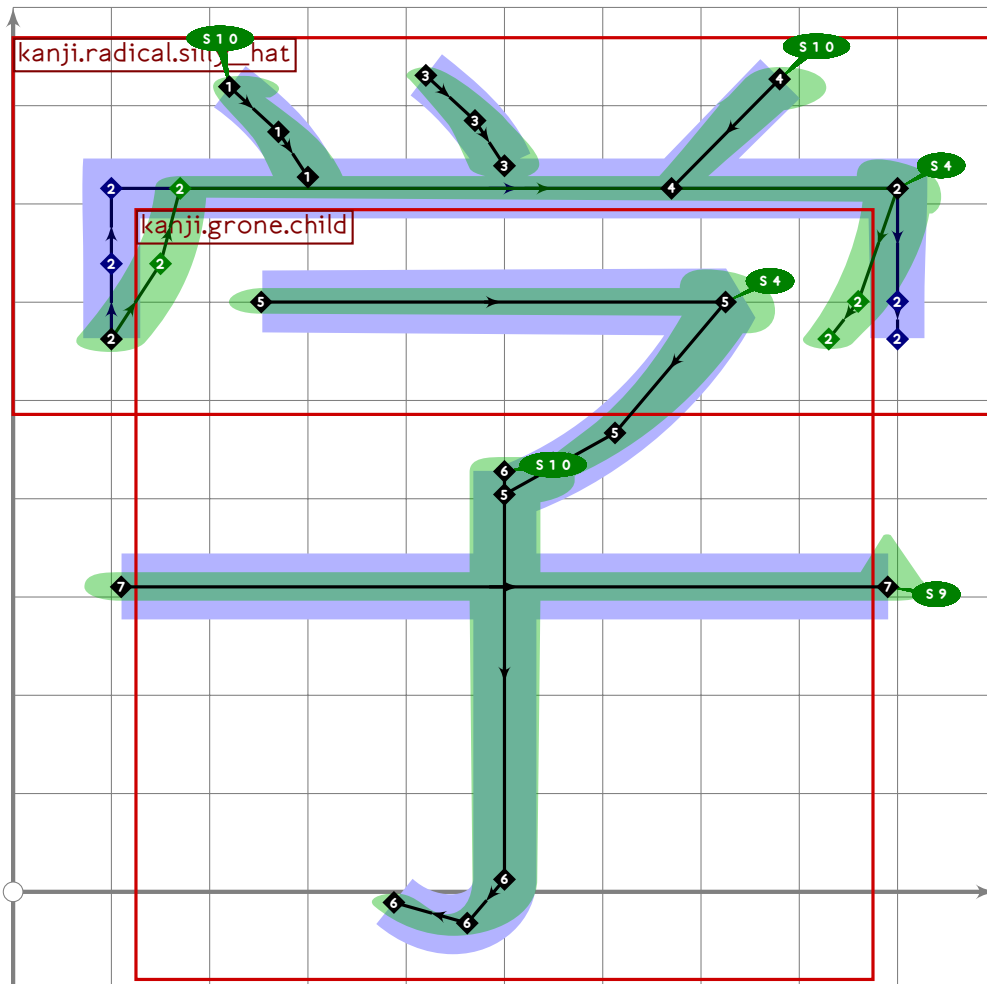
```

137 % extra
138 begintsuglyph("uni59ED";237);
139 build_kanji.tb(500;-20)
140   (build_kanji.tricluster(0.85)
141     (tsu_curve.kanji.grone.power)
142     (tsu_curve.kanji.grone.power)
143     (tsu_curve.kanji.grone.power))
144   (tsu_curve.kanji.grone.woman);
145 tsu_render;
146 endtsuglyph;
147
148 -----
149
150 endfont;
151
152 -----

```

tsuku-5b.mp

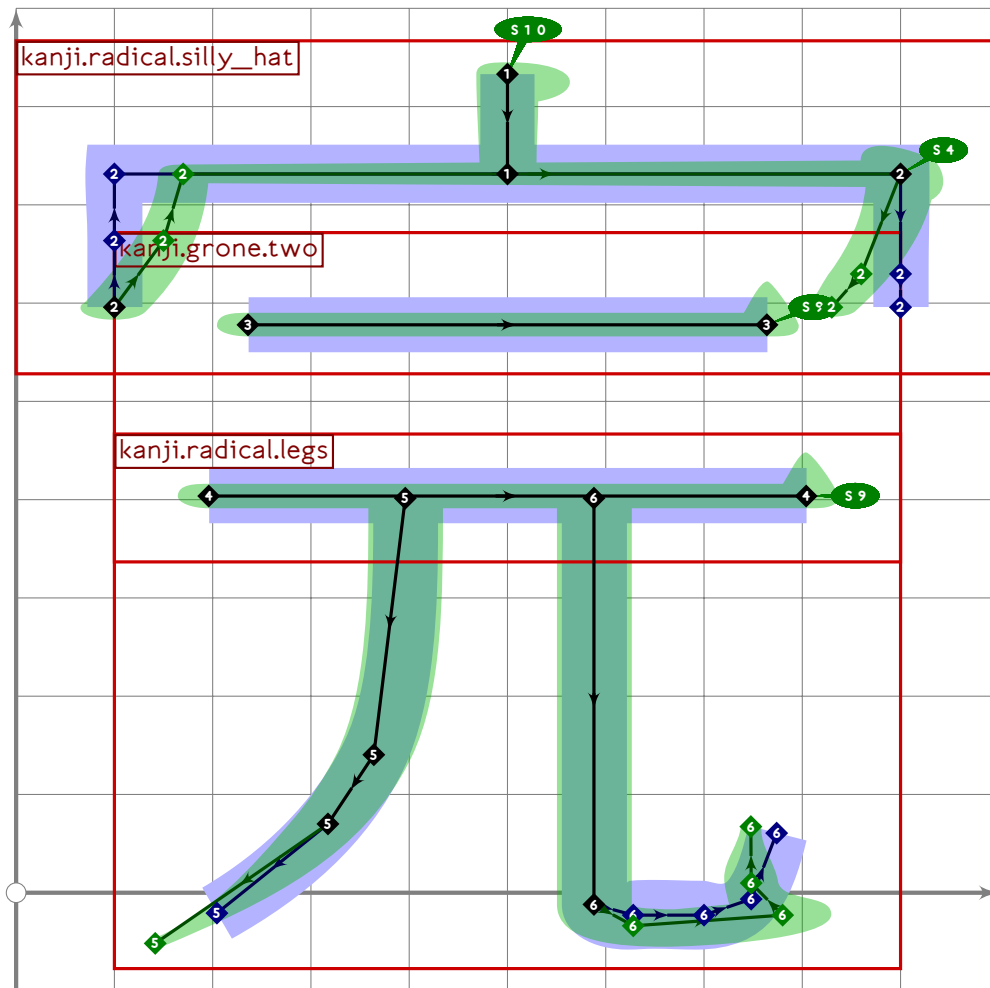
```
1 %  
2 % Unicode page 5b (Kanji) for Tsukurimashou  
3 % Copyright (C) 2011 Matthew Skala  
4 %  
5-29 [Standard copyright notice]  
30  
31 _____  
32  
33 beginfont  
34  
35 % AUTODEPS  
36 input buildkanji.mp;  
37 input gradeone.mp;  
38 input gradesix.mp;  
39 input gradethree.mp;  
40 input gradetwo.mp;  
41 input radical.mp;  
42  
43 _____
```



```

44
45 vardef tsu_curve.kanji.grone.study =
46   add_proof_box("kanji.grone.study");
47   build_kanji.tb(580,150)
48     (tsu_curve.kanji.radical.silly_hat;
49     bp[sp-2]:=(220,770)..(270,650)..(300,530);
50     bq[sp-2]:=(1.2,1.2)-(1.5,1.5)-(1.7,1.7);
51     bo_size[sp-2]:=95;
52     bp[sp]:=(420,800)..(470,680)..(500,560);
53     bq[sp]:=(1.2,1.2)-(1.5,1.5)-(1.7,1.7);
54     bo_size[sp]:=95;
55     bp[sp*1]:=(780,790)-(670,500);
56     bq[sp*1]:=(1.7,1.7)-(1.3,1.3);
57     bo_size[sp*1]:=95;
58     bo_serif[sp*1][0]:=10;
59     sp:=sp*2;
60   )
61   (build_kanji.sscale(xscaled 0.75)
62     (tsu_curve.kanji.grone.child;sp:=sp*1);
63     sp:=sp*1);
64 enddef;
65
66

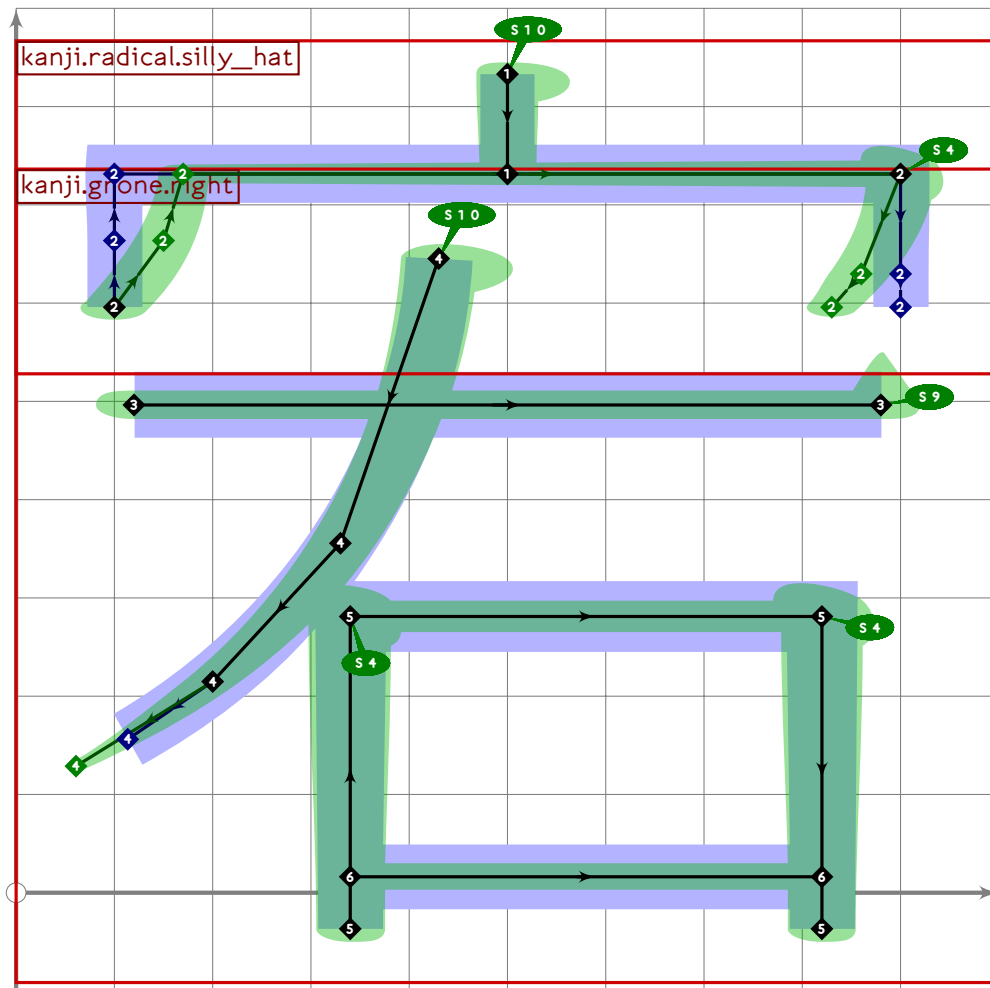
```



```

67
68 vardef tsu_curve.kanji.grfour.perfect =
69   add_proof_box("kanji.grfour.perfect");
70   build_kanji.tb(600,110)
71     (tsu_curve.kanji.radical.silly_hat)
72     (build_kanji.sscale(xscaled 0.8)(tsu_curve.kanji.grtwo.origin));
73   enddef;
74
75

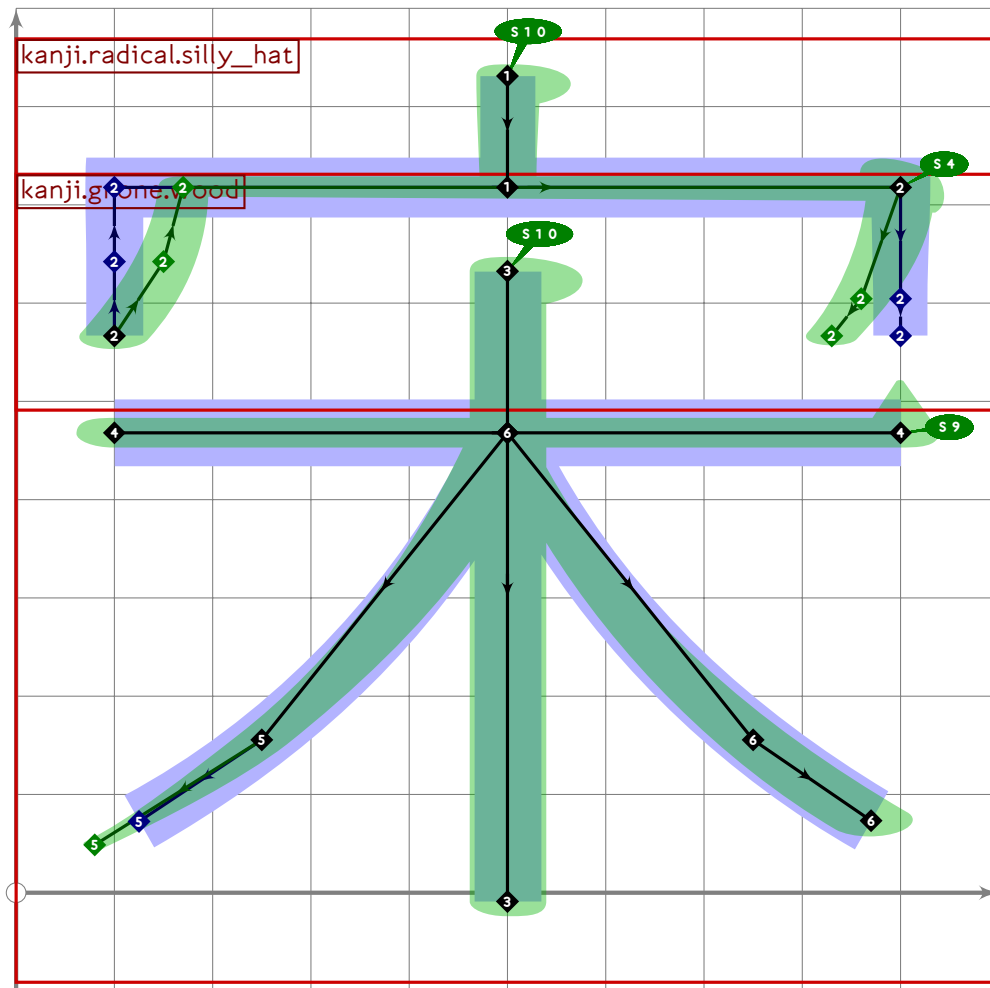
```

```

76
77 vardef tsu_curve.kanji.grnine.cave =
78   add_proof_box("kanji.grnine.cave");
79   build_kanji.tb(620,150)
80     (tsu_curve.kanji.radical.silly_hat)
81     (tsu_curve.kanji.grone.right);
82 enddef;

```



```

83
84 vardef tsu_curve.kanji.grnine.song_dynasty =
85   add_proof_box("kanji.grnine.song_dynasty");
86   build_kanji.tb(600,180)
87     (tsu_curve.kanji.radical.silly_hat)
88     (tsu_curve.kanji.grone.wood);
89 enddef;

```

```

90
91

```

```

92
93 % ko "child"
94 begintsuglyph("uni5B50";80);
95   tsu_curve.kanji.grone.child;
96   tsu_render;
97 endtsuglyph;

```

[see page 321]

```

98
99 % ji "character"
100 begintsuglyph("uni5B57";87);
101   tsu_curve.kanji.grone.character;
102   tsu_render;
103 endtsuglyph;

```

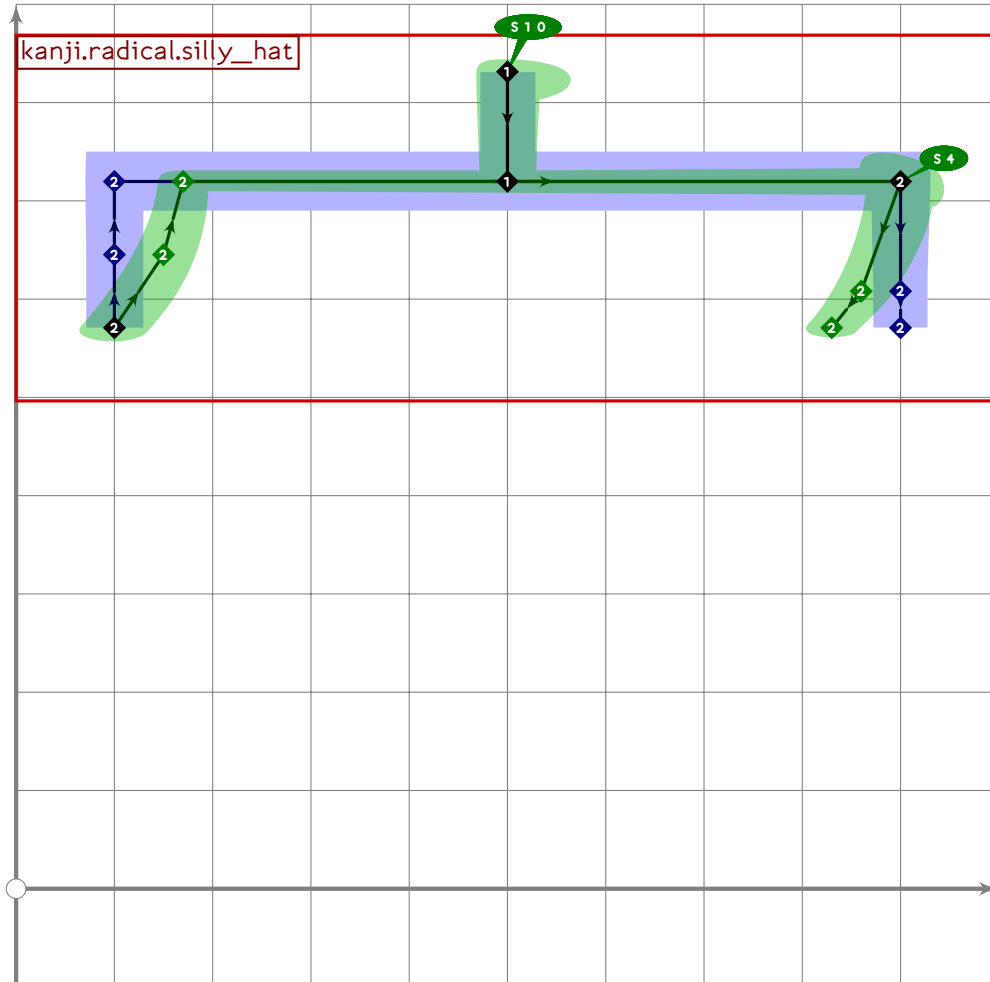
[see page 320]

```

104
105 % gaku "school"
106 begintsuglyph("uni5B66";102);
107   tsu_curve.kanji.grone.study;
108   tsu_render;
109 endsuglyph;
110

```

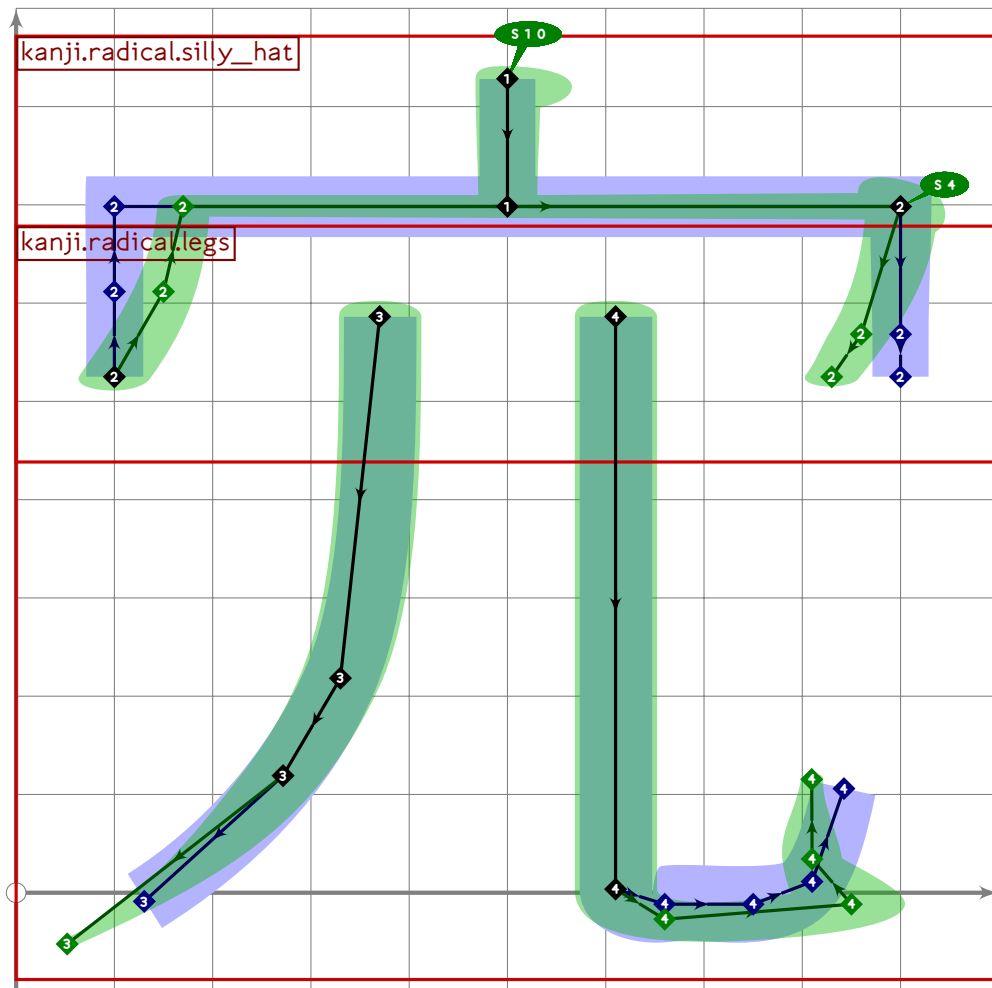
[see page 1211]



```

111 % silly hat radical
112 begintsuglyph("uni5B80";128);
113   build_kanji.tb(500;30)
114     (tsu_curve.kanji.radical.silly_hat)
115     ();
116   tsu_render;
117 endsuglyph;
118

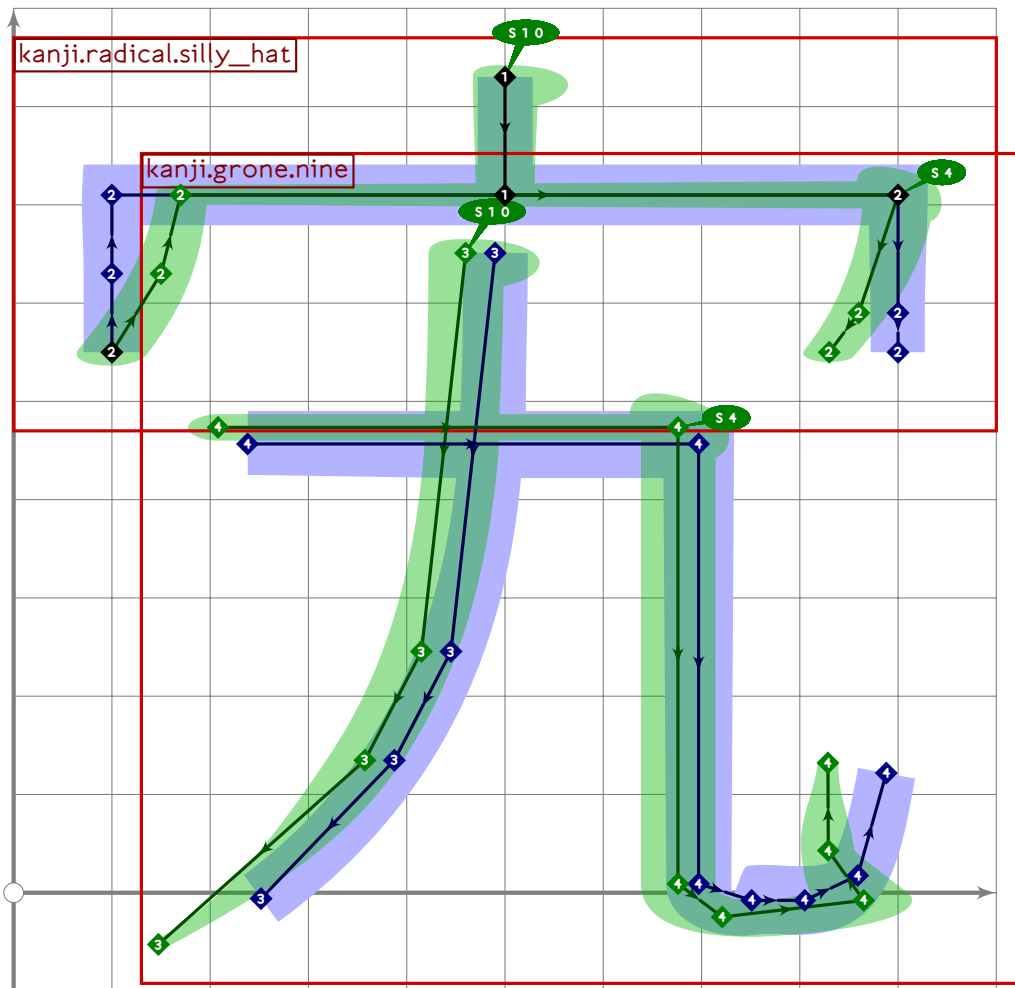
```



```

119 % extra
120 begint Suglyph("uni5B82",130);
121   build_kanji.tb(550,180)
122     (tsu_curve.kanji.radical.silly_hat)
123     (tsu_curve.kanji.radical.legs);
124   tsu_render;
125 endtsuglyph;
126

```



```

127 % extra
128 begintsuglyph("uni5B84",132);
129   build_kanji.tb(600,220)
130     (tsu_curve.kanji.radical.silly_hat)
131     (build_kanji.sscale(xscaled 0.9 shifted (80-30*mincho,0))
132       (tsu_curve.kanji.grone.nine));
133   tsu_render;
134 endtsuglyph;
135
136 % an/yasu "easy/cheap"
137 begintsuglyph("uni5B89",137);
138   tsu_curve.kanji.grthree.easy;
139   tsu_render;
140 endtsuglyph;
141
142 % "song dynasty"
143 begintsuglyph("uni5B8B",139);
144   tsu_curve.kanji.grnine.song_dynasty;
145   tsu_render;
146 endtsuglyph;
147

```

[see page 381]

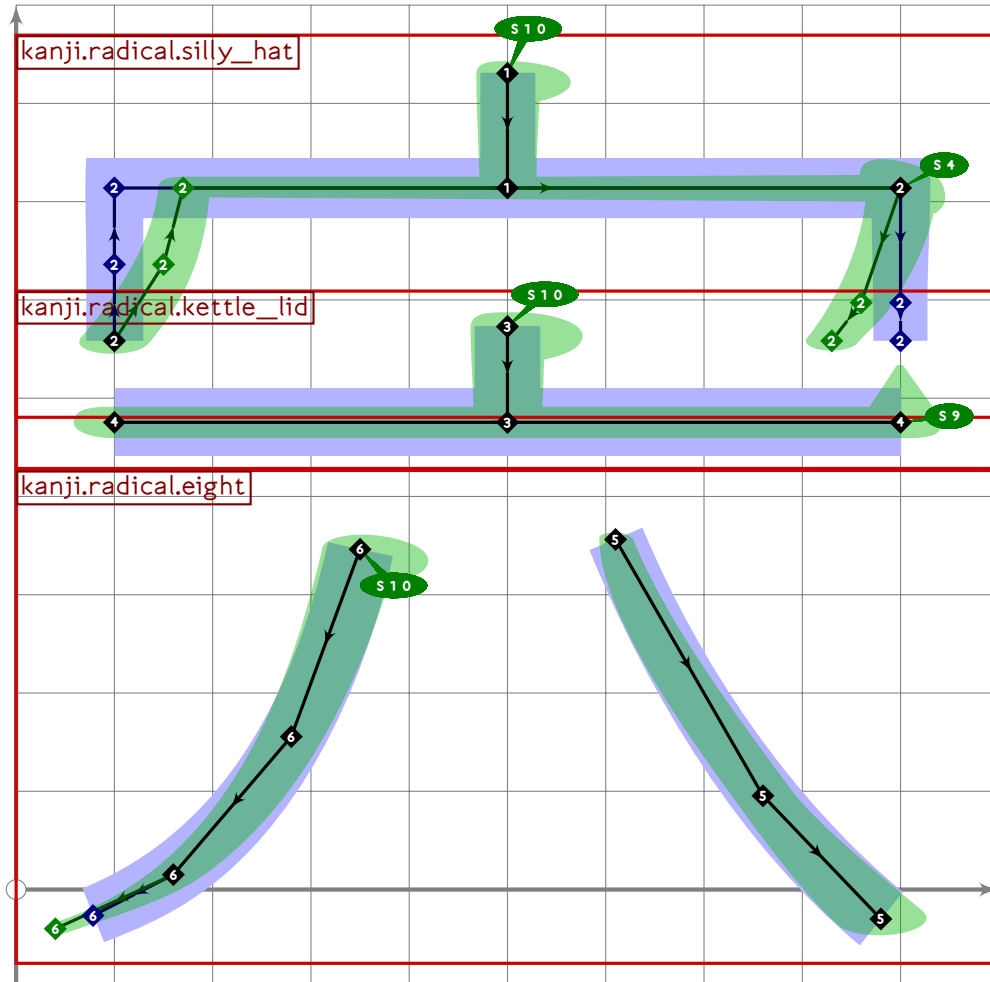
[see page 1214]

```

148 % kan "perfect"
149 begintsuglyph("uni5B8C",140);
150 tsu_curve.kanji.grfour.perfect;
151 tsu_render;
152 endtsuglyph;
153

```

[see page 1212]



```

154 % extra "meat"
155 begintsuglyph("uni5B8D",141);
156 build_kanji.tb(550,100)
157 (tsu_curve.kanji.radical.silly_hat)
158 (tsu_curve.kanji.grone.six);
159 tsu_render;
160 endtsuglyph;
161

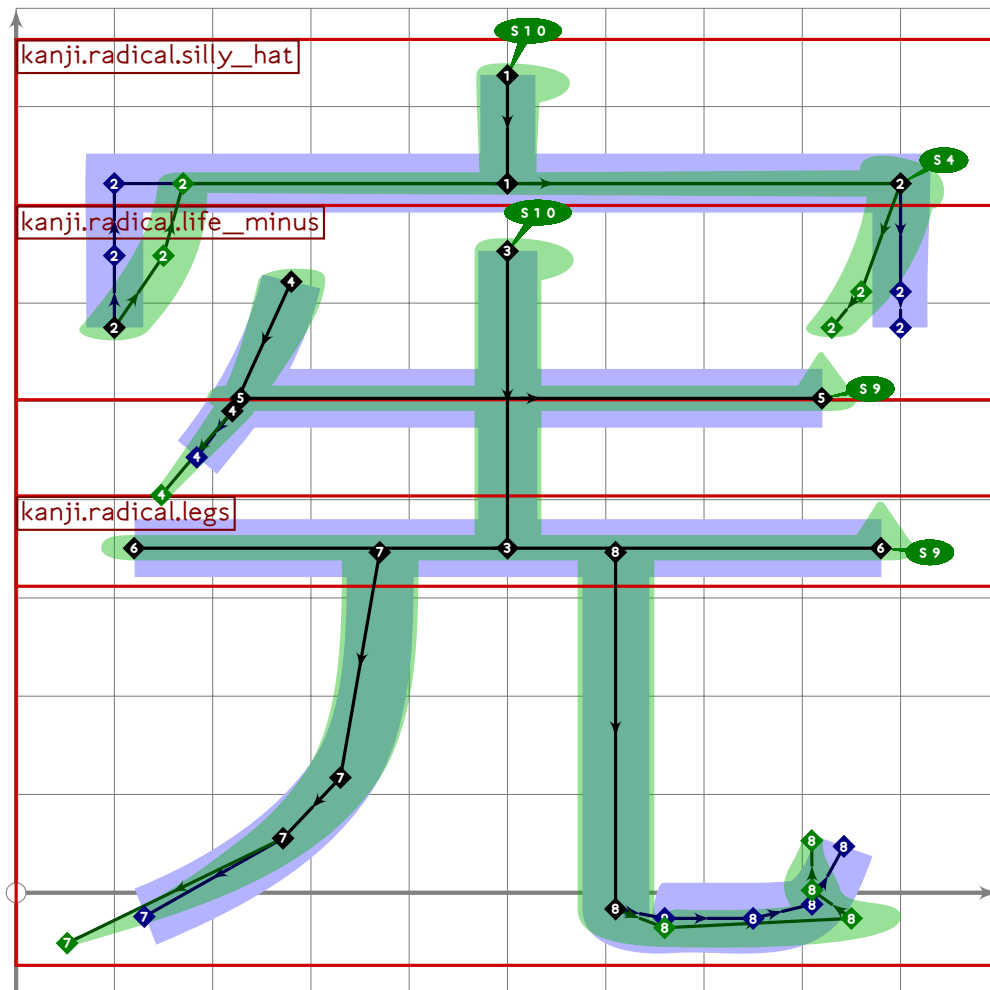
```

```

162 % "cave"
163 begintsuglyph("uni5B95",149);
164 tsu_curve.kanji.grnine.cave;
165 tsu_render;
166 endtsuglyph;
167

```

[see page 1213]



```

168 % extra
169 begintsuglyph("uni5BAA";170);
170 build_kanji.tb(600,160)
171 (tsu_curve.kanji.radical.silly_hat)
172 (tsu_curve.kanji.grone.ahead);
173 tsu_render;
174 endtsuglyph;
175
176 % su/miki "inch", also often a radical
177 begintsuglyph("uni5BF8";248);
178 tsu_curve.kanji.grsix.inch;
179 tsu_render;
180 endtsuglyph;
181
182 % tera/ji "temple"
183 begintsuglyph("uni5BFA";250);
184 tsu_curve.kanji.grtwo.temple;
185 tsu_render;
186 endtsuglyph;
187
188

```

[see page 389]

[see page 378]

189

190 **endfont;**

191

192

tsuku-5c.mp

```
1 %  
2 % Unicode page 5c (Kanji) for Tsukurimashou  
3 % Copyright (C) 2011 Matthew Skala  
4 %
```

```
5-29 [Standard copyright notice]
```

```
30
```

```
31
```

```
32
```

```
33 beginfont
```

```
34
```

```
35 % AUTODEPS
```

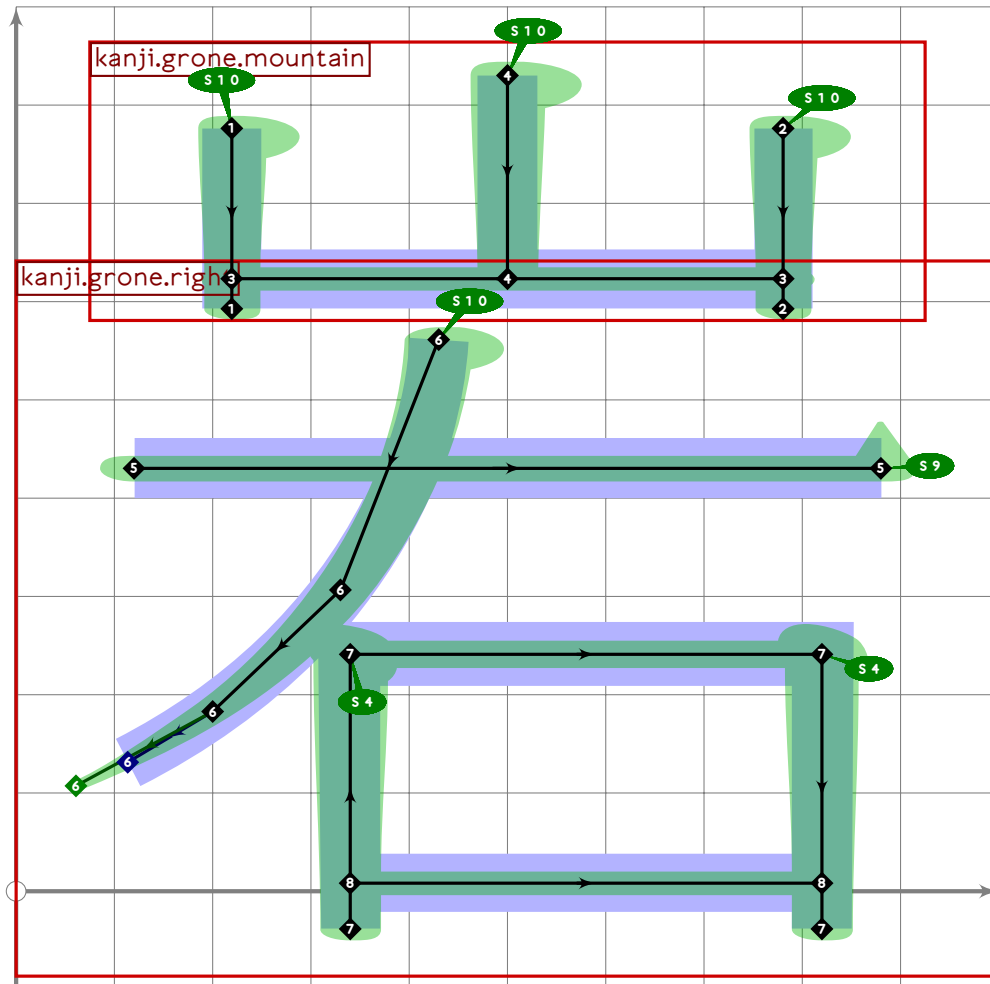
```
36 input buildkanji.mp;
```

```
37 input gradeone.mp;
```

```
38 input gradetwo.mp;
```

```
39
```

```
40
```



```
41
```

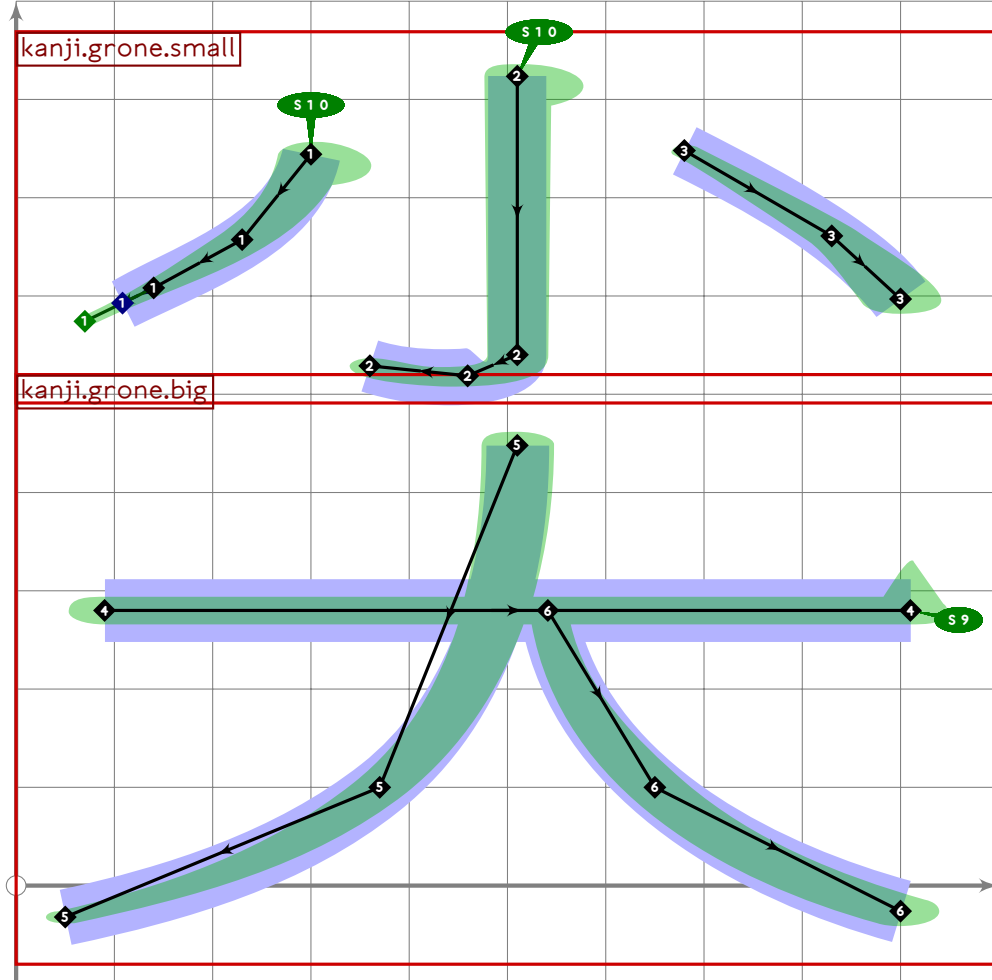
```
42 vardef tsu_curve.kanji.grtwo.rock =
```

```
43   add_proof_box("kanji.grtwo.rock");
```

```

44 build_kanji.level(build_kanji.tb(600,10)
45   (build_kanji.sscale(xscaled 0.85)(tsu_curve.kanji.grone.mountain))
46   (tsu_curve.kanji.grone.right));
47 enddef;
48
49

```



```

50
51 vardef tsu_curve.kanji.grnine.pointed =
52   add_proof_box("kanji.grnine.pointed");
53   build_kanji.tb(500;-20)
54     (tsu_curve.kanji.grone.small)
55     (tsu_curve.kanji.grone.big);
56 enddef;
57
58

```

```

59
60 % shuu/chii "small"
61 begint Suglyph("uni5C0F";15);
62   tsu_curve.kanji.grone.small;
63   tsu_render;
64 endtsuglyph;

```

[see page 353]

65

66 % sho/suko "little"

67 `begintsuglyph("uni5C11";17);`

[see page 372]

68 `tsu_curve.kanji.grtwo.little;`

69 `tsu_render;`

70 `endtsuglyph;`

71

72 % pointed

73 `begintsuglyph("uni5C16";22);`

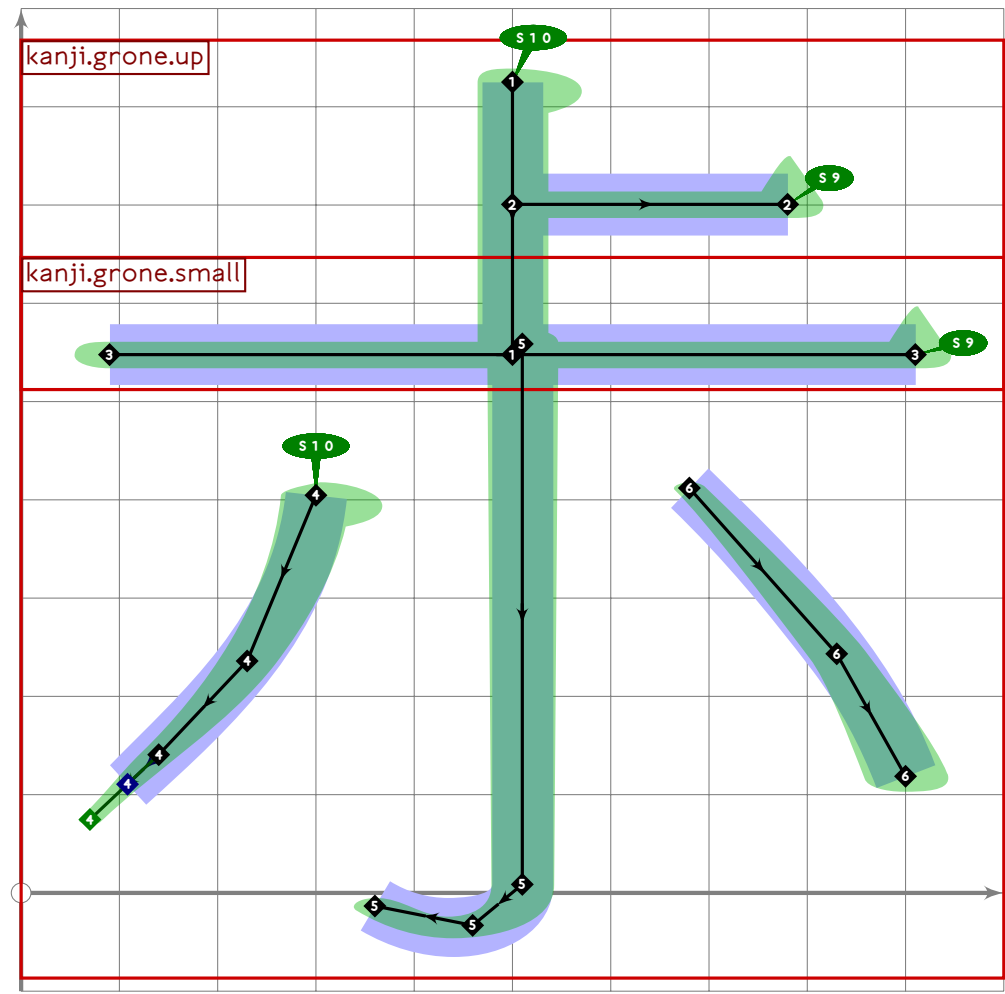
[see page 1222]

74 `tsu_curve.kanji.grnine.pointed;`

75 `tsu_render;`

76 `endtsuglyph;`

77



78 % extra "younger brother"

79 `begintsuglyph("uni5C17";23);`

80 `build_kanji.level(build_kanji.tb(570,80)`

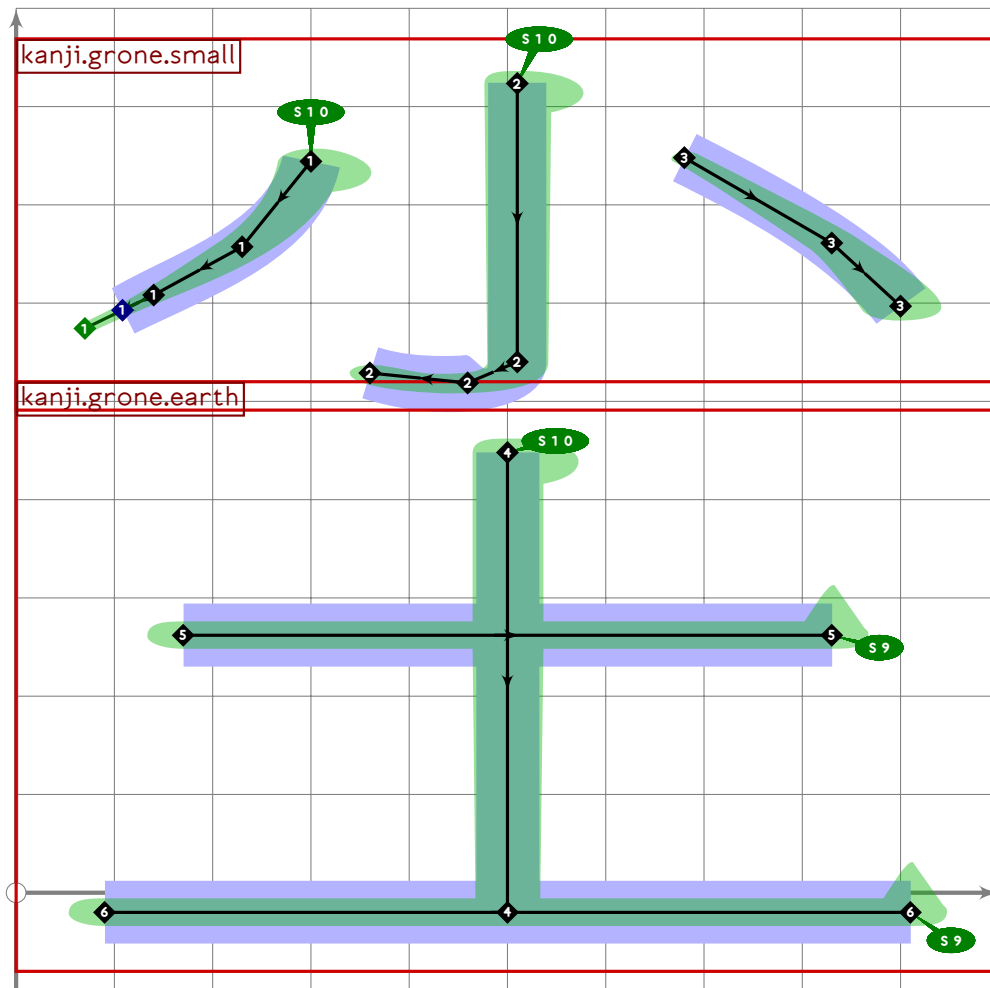
81 `(tsu_curve.kanji.grone.up)`

82 `(tsu_curve.kanji.grone.small;bo_serif[sp-2][0]:=whatever));`

83 `tsu_render;`

84 `endtsuglyph;`

85



```

86 % extra
87 begintsuglyph("uni5C18";24);
88 build_kanji.tb(500;20)
89 (tsu_curve.kanji.grone.small)
90 (tsu_curve.kanji.grone.earth);
91 tsu_render;
92 endtsuglyph;

```

```

93
94 % yama/san "mountain"
95 begintsuglyph("uni5C71";113);
96 tsu_curve.kanji.grone.mountain;
97 tsu_render;
98 endtsuglyph;

```

[see page 340]

```

99
100 % gan/iwa "rock"
101 begintsuglyph("uni5CA9";169);
102 tsu_curve.kanji.grtwo.rock;
103 tsu_render;
104 endtsuglyph;

```

[see page 1221]

105
106

107

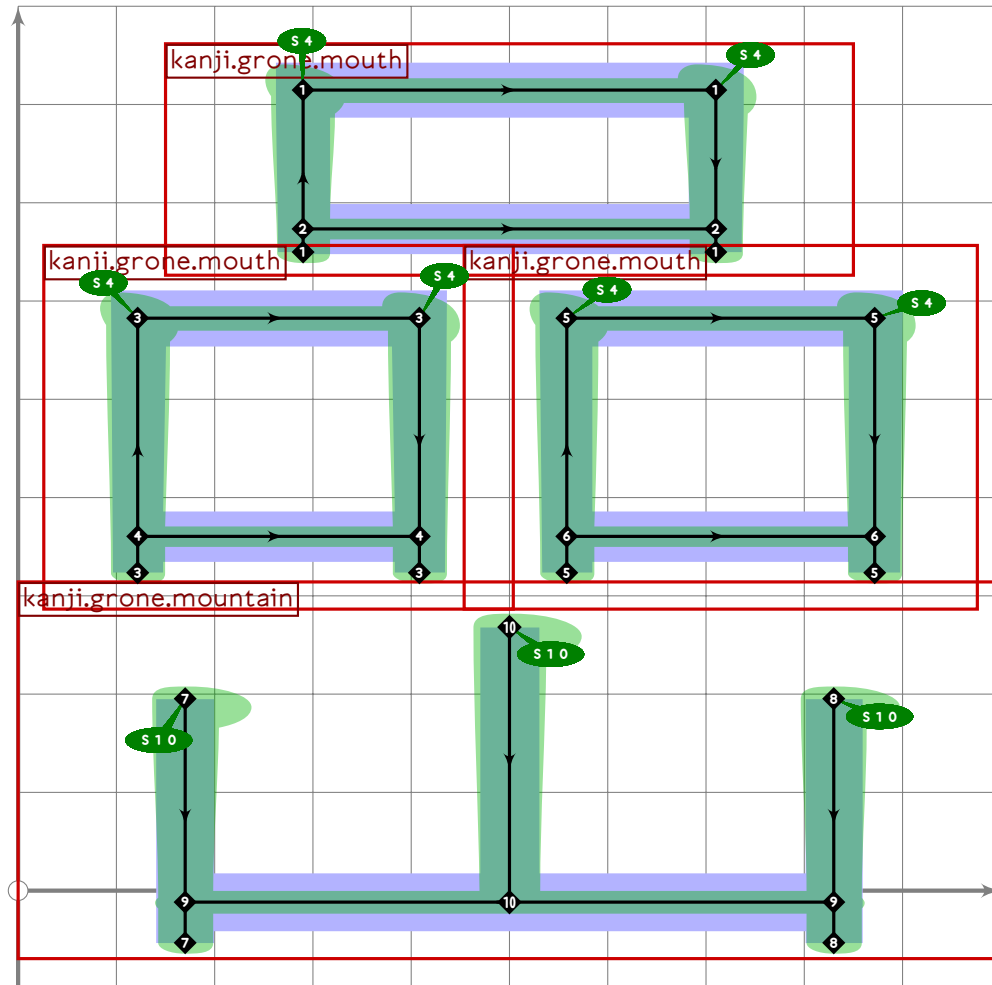
108 **endfont;**

109

110

tsuku-5d.mp

```
1 %  
2 % Unicode page 5d (Kanji) for Tsukurimashou  
3 % Copyright (C) 2011 Matthew Skala  
4 %  
5-29 [Standard copyright notice]  
30  
31 _____  
32  
33 beginfont  
34  
35 % AUTODEPS  
36 input buildkanji.mp;  
37 input gradeone.mp;  
38 input gradethree.mp;  
39 input gradetwo.mp;  
40  
41 _____  
42
```

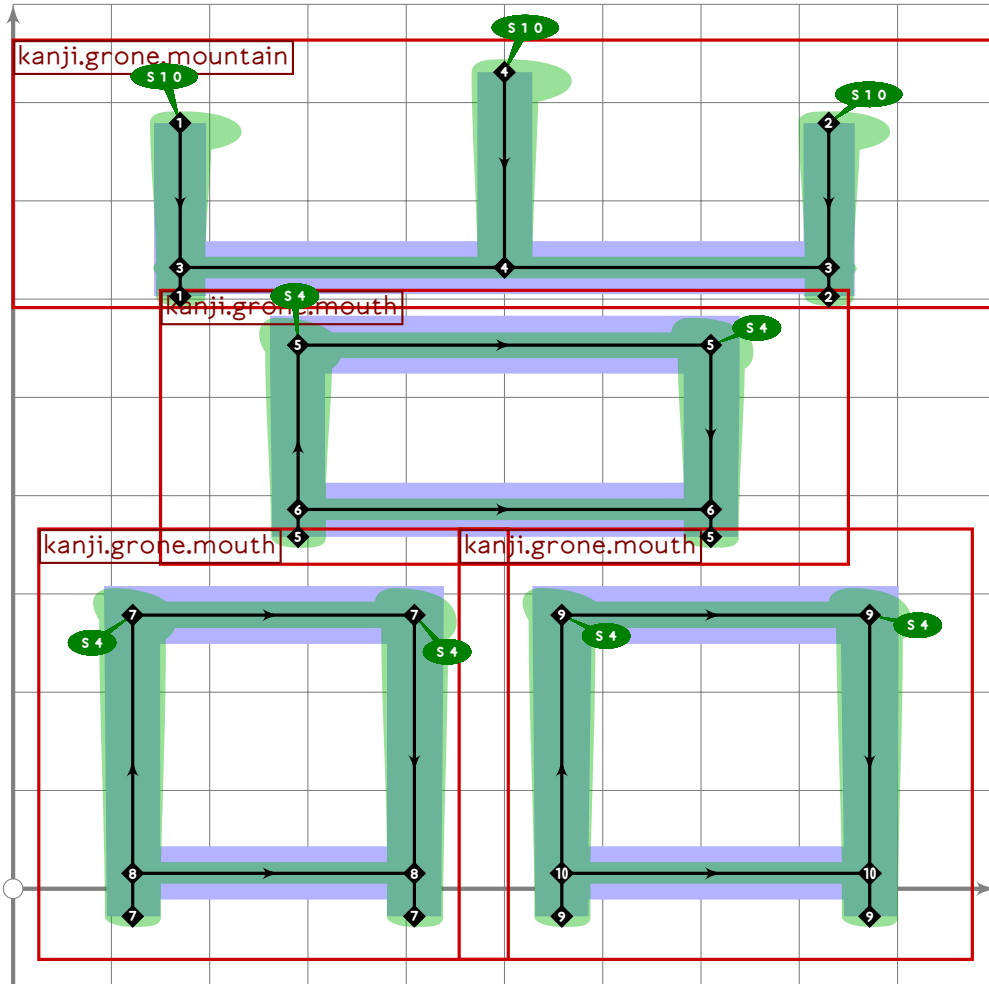


```
43 % extra
```

```

44 begintsuglyph("uni5D52";82);
45 build_kanji.tb(300,10)
46 (tsu_curve.kanji.grthree.goods)
47 (tsu_curve.kanji.grone.mountain);
48 tsu_render;
49 endsuglyph;
50

```



```

51 % extra
52 begintsuglyph("uni5D53";83);
53 build_kanji.level(build_kanji.tb(600,10)
54 (tsu_curve.kanji.grone.mountain)
55 (tsu_curve.kanji.grthree.goods));
56 tsu_render;
57 endsuglyph;
58
59 % kawa "river"
60 begintsuglyph("uni5DDD";221);
61 tsu_curve.kanji.grone.river;
62 tsu_render;
63 endsuglyph;
64

```

[see page 350]

```
65 % takumi "craft"
66 begintsuglyph("uni5DE5";229); [see page 367]
67 tsu_curve.kanji.grtwo.craft;
68 tsu_render;
69 endtsuglyph;
70
71 % hidari "left"
72 begintsuglyph("uni5DE6";230); [see page 337]
73 tsu_curve.kanji.grone.left;
74 tsu_render;
75 endtsuglyph;
76
77 

---


78
79 endfont;
80
81 

---


```


tsuku-5e.mp

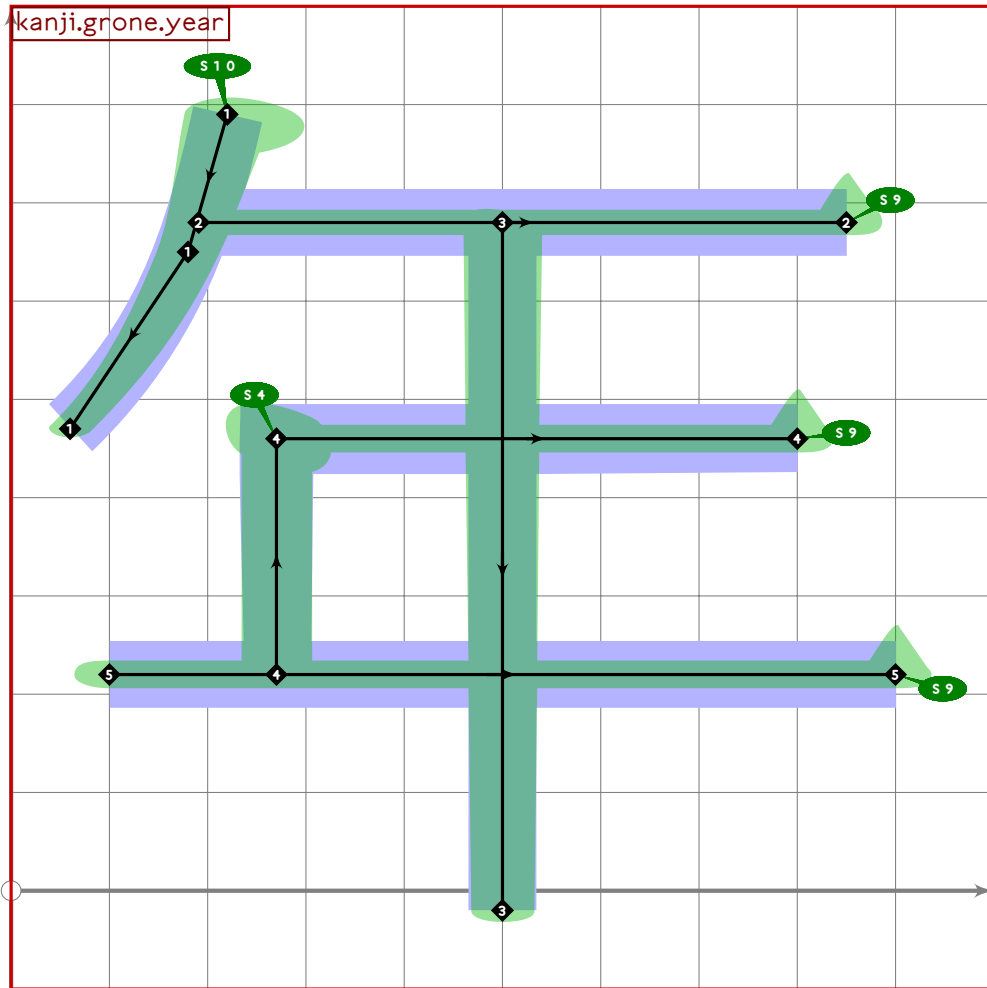
```
1 %
2 % Unicode page 5e (Kanji) for Tsukurimashou
3 % Copyright (C) 2011 Matthew Skala
4 %
5-29 [Standard copyright notice]
30
31 

---


32
33 beginfont
34
35 % AUTODEPS
36 input buildkanji.mp;
37 input gradeeight.mp;
38 input gradefour.mp;
39 input gradeone.mp;
40 input gradesix.mp;
41 input gradethree.mp;
42 input gradetwo.mp;
43 input leftrad.mp;
44 input radical.mp;
45 input toprad.mp;
46
47 

---


```



48

```

49 vardef tsu_curve.kanji.grone.year =
50   add_proof_box("kanji.grone.year");
51   bp[sp]:=(220,790){curl 0.1}..(180,650)..(60,470);
52   bq[sp]:=(1.7,1.7)-(1.4,1.4)-(1.1,1.1);
53   bo_serif[sp][0]:=10;
54   bp[sp*1]:=((0,680)-(1000,680)) intersectionpoint bp[sp]-(850,680);
55   bq[sp*1]:=(1.4,1.4)-(1.5,1.5);
56   bo_serif[sp*1][1]:=9;
57   bp[sp*2]:=(500,680)-(500,-20);
58   bq[sp*2]:=(1.6,1.6)-(1.4,1.4);
59   bp[sp*3]:=(270,220)-(270,460)-(800,460);
60   bq[sp*3]:=(1.5,1.5)-(1.5,1.5)-(1.5,1.5);
61   bo_tip[sp*3][1]:=1;
62   bo_serif[sp*3][1]:=4;
63   bo_serif[sp*3][2]:=9;
64   bp[sp*4]:=(100,220)-(900,220);
65   bq[sp*4]:=(1.5,1.5)-(1.5,1.5);
66   bo_serif[sp*4][1]:=9;
67   sp:=sp+5;
68 enddef;

```

69

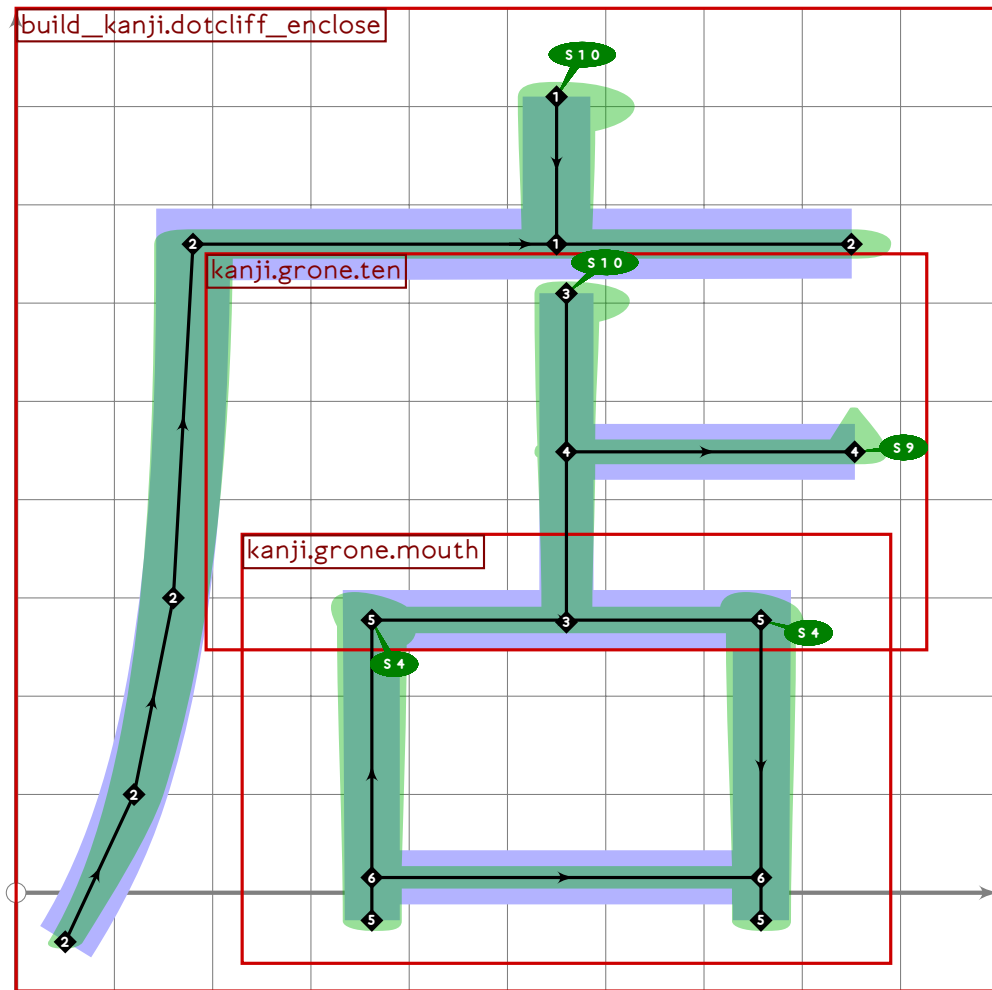
70

71

```
72 vardef build_kanji.dotcliff_enclose(text contents) =  
73   add_proof_box("build_kanji.dotcliff_enclose");  
74   bp[sp]:=(550,810)-(550,660);  
75   bq[sp]:=(1.6,1.6)-(1.5,1.5);  
76   bo_serif[sp][0]:=10;  
77   bp[sp*1]:=(50,50)..(120,100)..(160,300)..tension 1.2..(180,660)  
78     -(850,660);  
79   bq[sp*1]:=(1,1)-(1.3,1.3)-(1.5,1.5)-(1.6,1.6)-(1.6,1.6);  
80   bo_tip[sp*1][3]:=1;  
81   sp:=sp*2;  
82   begingroup  
83     save t;  
84     transform t;  
85     (50,50) transformed t=(230,50);  
86     (500,50) transformed t=(560,50);  
87     (500,850) transformed t=(560,630);  
88     tsu_xform(t)(contents);  
89   endgroup;  
90 enddef;
```

91

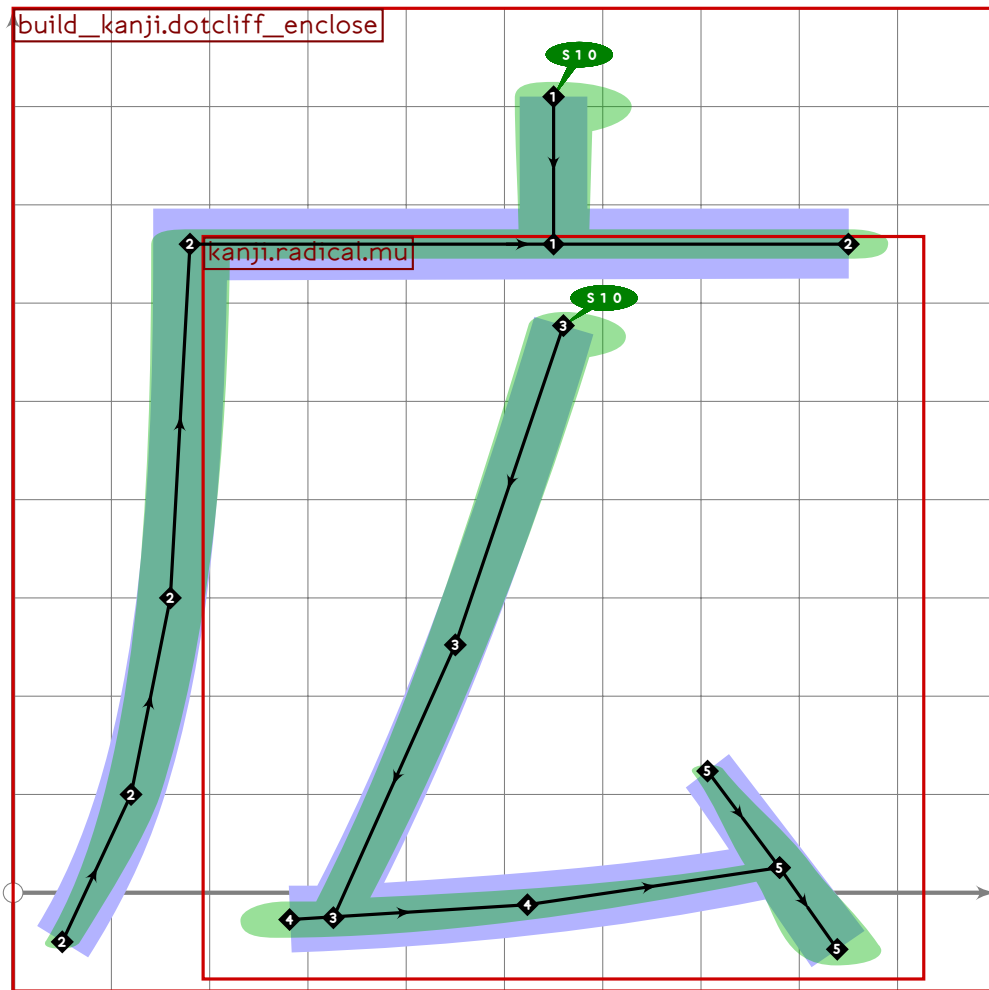
92



```

93
94 vardef tsu_curve.kanji.grtwo.shop =
95   add_proof_box("kanji.grtwo.shop");
96   build_kanji.dotcliff_enclose(tsu_curve.kanji.greight.divination);
97 enddef;

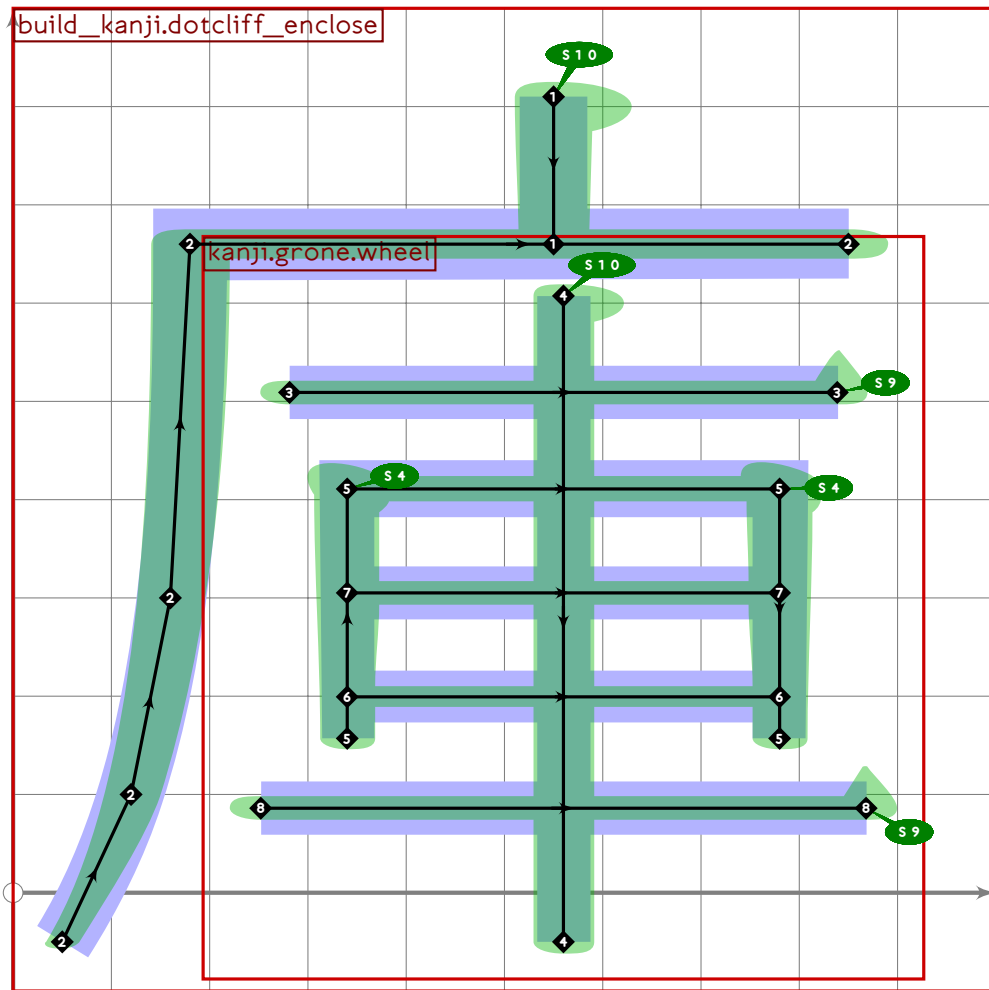
```



```

98
99 vardef tsu_curve.kanji.grtwo.wide =
100   add_proof_box("kanji.grtwo.wide");
101   build_kanji.dotcliff_enclose(tsu_curve.kanji.radical.mu);
102 enddef;
103
104

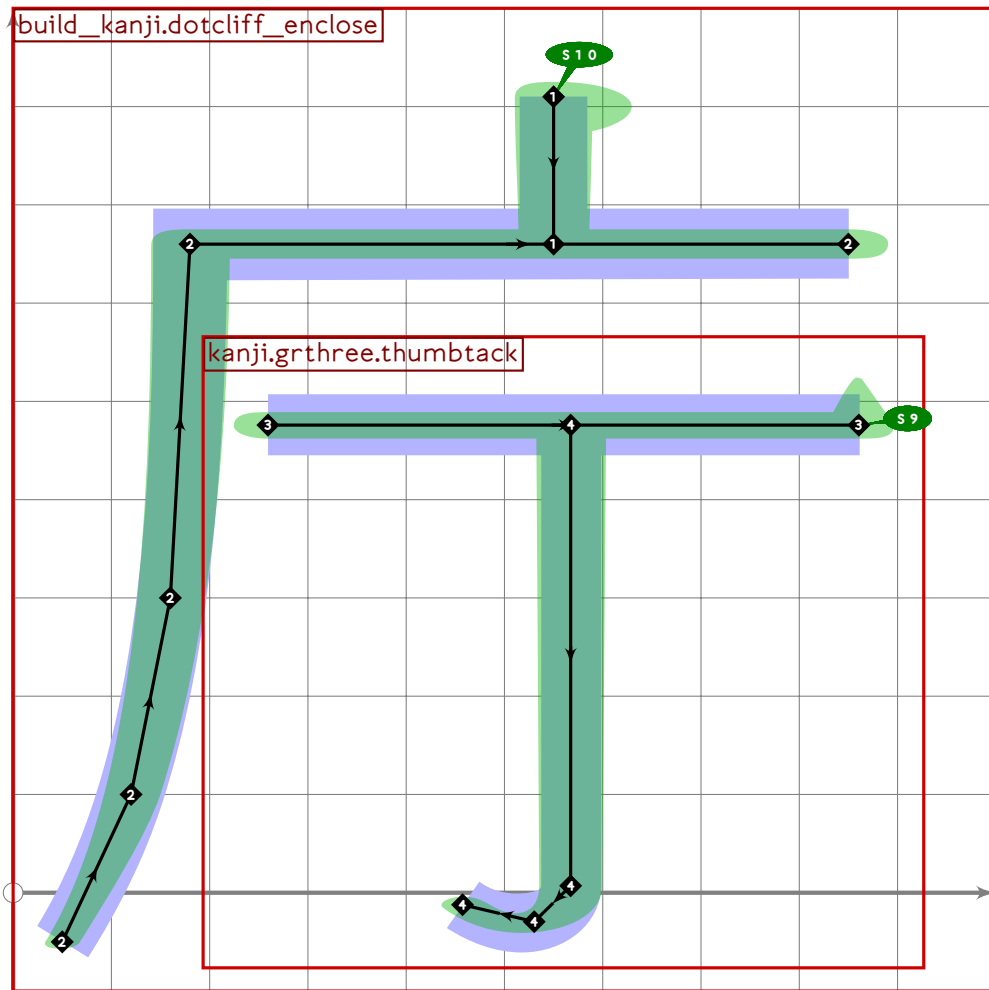
```



```

105
106 vardef tsu_curve.kanji.grthree.warehouse =
107   add_proof_box("kanji.grthree.warehouse");
108   build_kanji.dotcliff_enclose(tsu_curve.kanji.grone.wheel);
109 enddef;
110
111

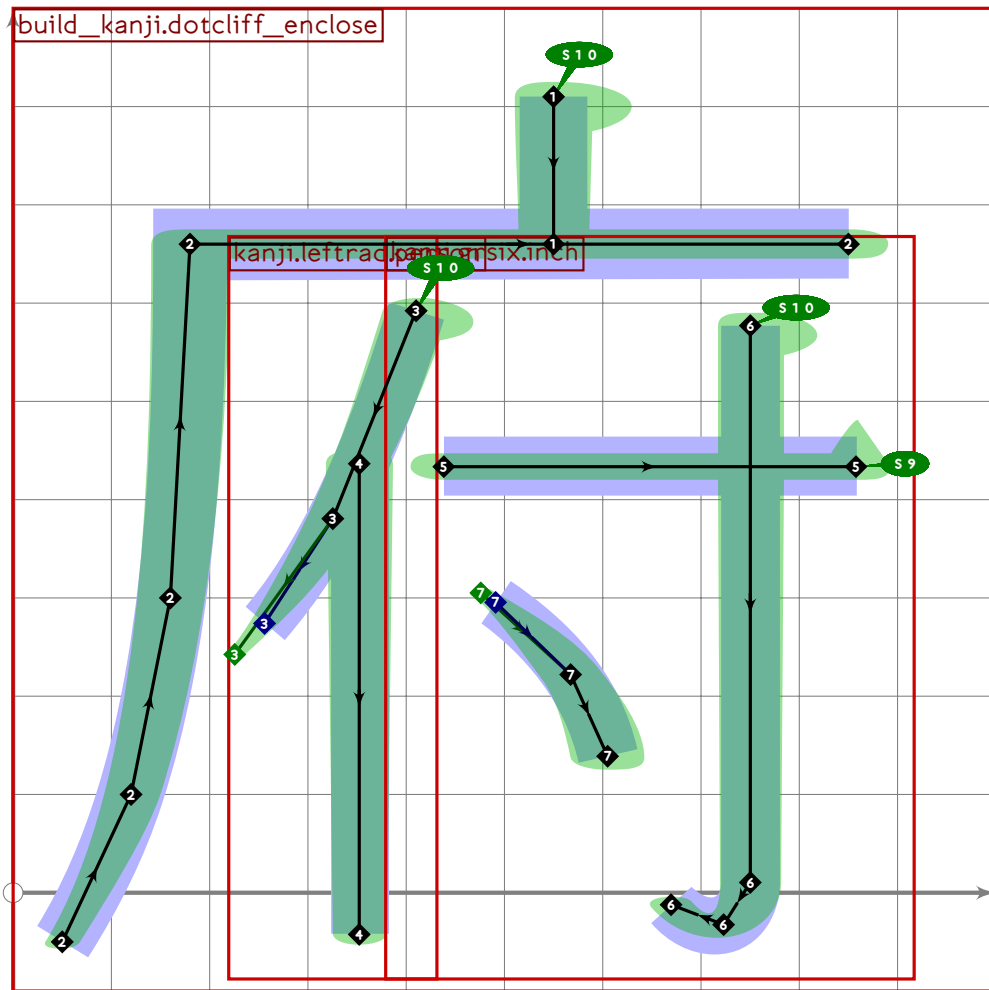
```



```

112
113 vardef tsu_curve.kanji.grsix.government_office =
114   add_proof_box("kanji.grsix.government_office");
115   build_kanji.dotcliff_enclose(tsu_xform(identity yscaled 0.85)
116     (tsu_curve.kanji.grthree.thumbtack));
117 enddef;
118
119

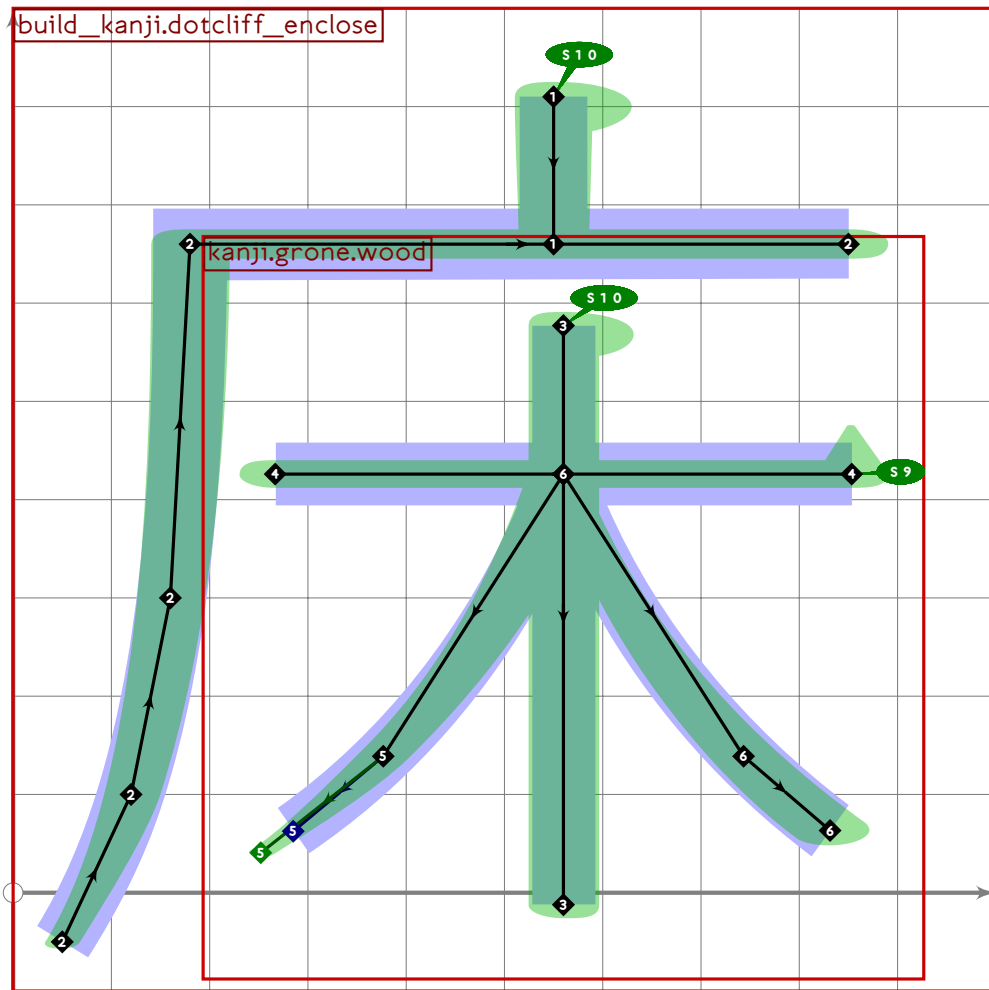
```



```

120
121 vardef tsu_curve.kanji.grfour.urban_prefecture =
122   add_proof_box("kanji.grfour.urban_prefecture");
123   build_kanji.dotcliff_enclose(tsu_curve.kanji.grfour.attach);
124 enddef;
125
126

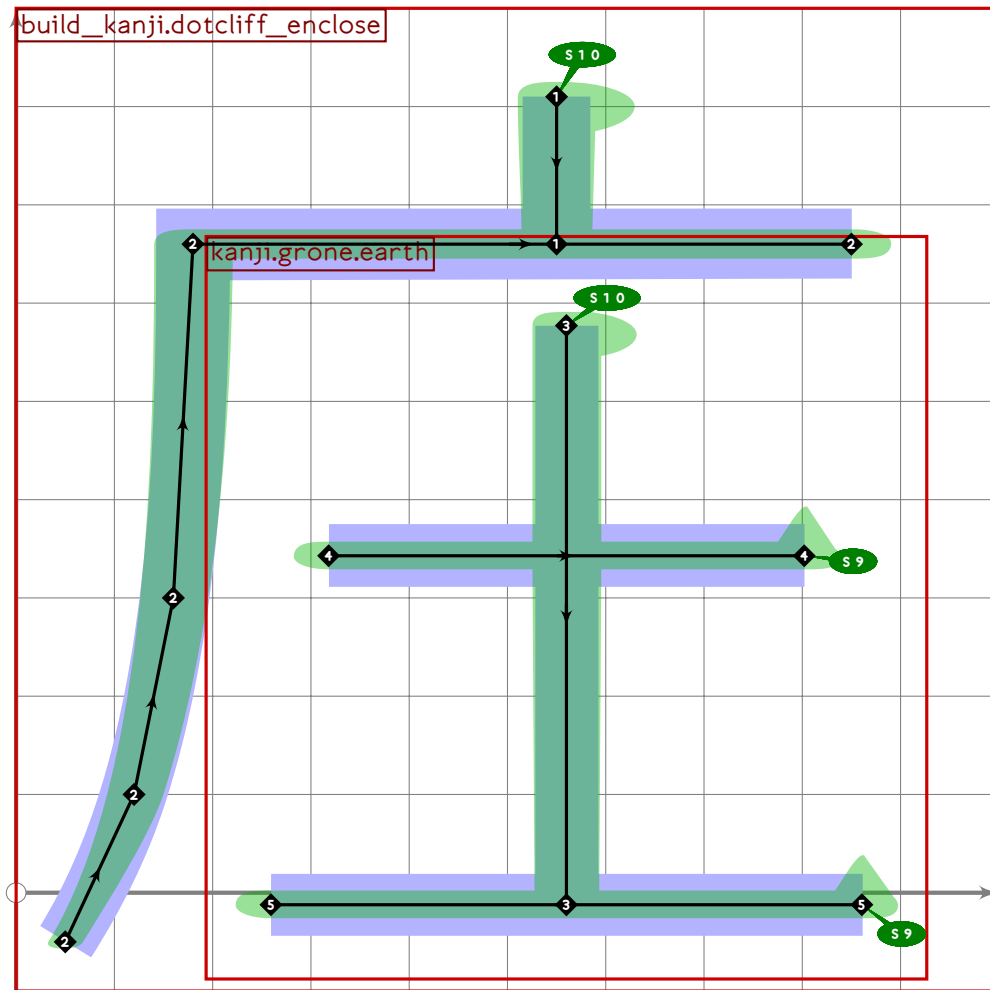
```

```

127
128 vardef tsu_curve.kanji.greight.bed =
129   add_proof_box("kanji.greight.bed");
130   build_kanji.dotcliff_enclose(tsu_curve.kanji.grone.wood);
131 enddef;
132
133

```



```

134
135 vardef tsu_curve.kanji.grnine.manor =
136   add_proof_box("kanji.grnine.manor");
137   build_kanji.dotcliff_enclose(tsu_curve.kanji.grone.earth);
138 enddef;

```

139

140

141

142 % nen/toshi "year"

143 begintsuglyph("uni5E74";116);

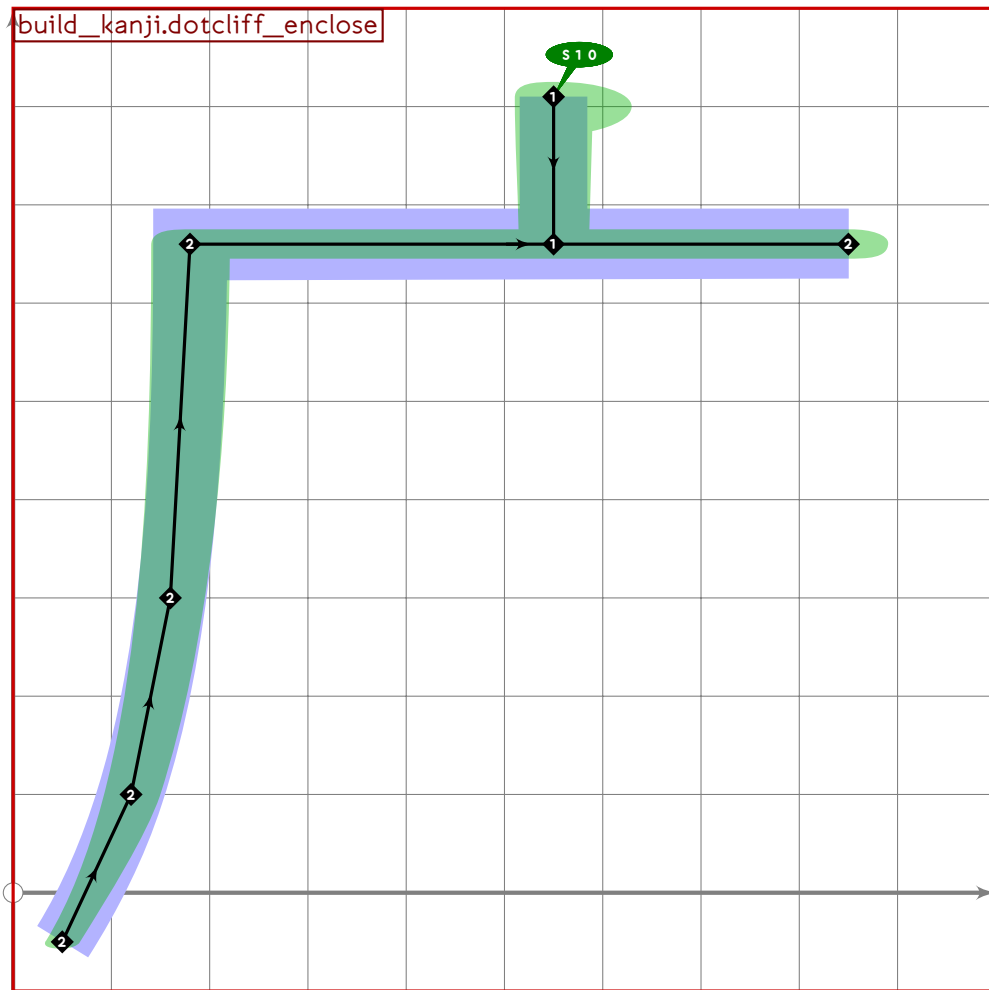
[see page 1230]

144 tsu_curve.kanji.grone.year;

145 tsu_render;

146 endtsuglyph;

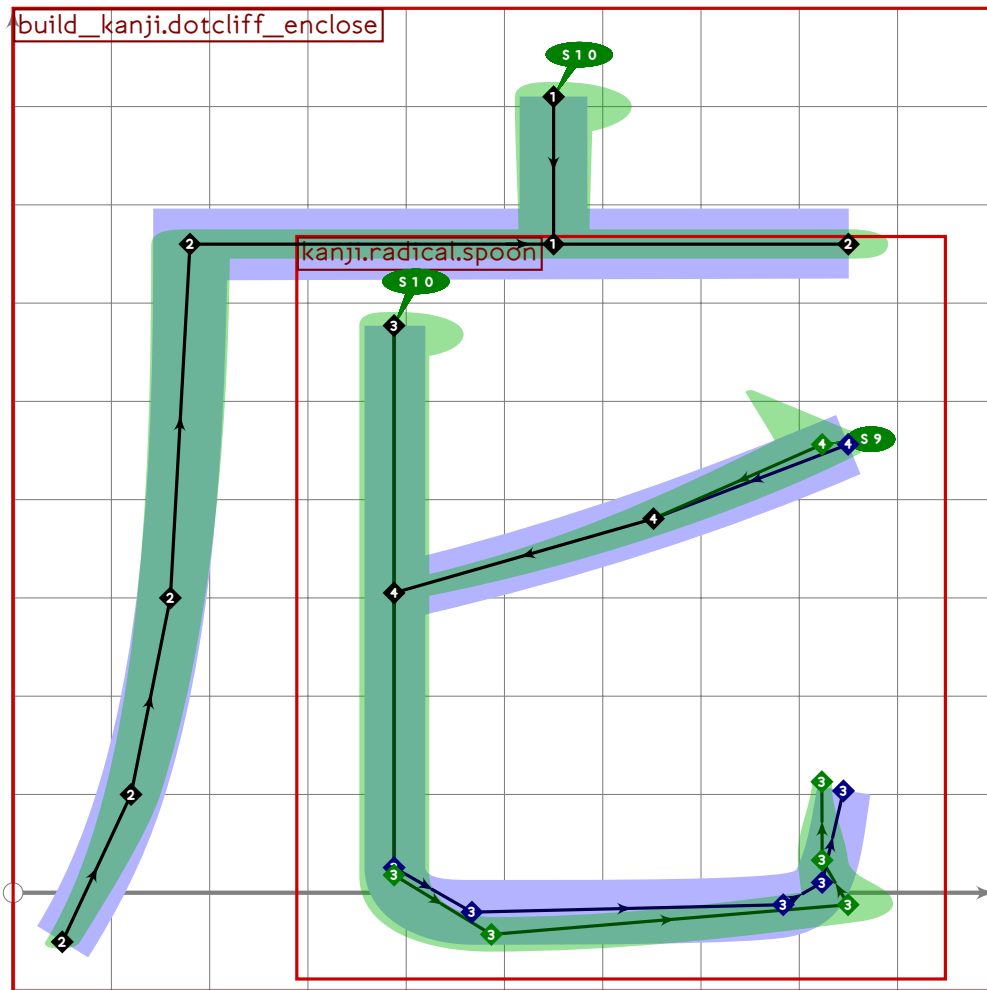
147



```

148 % madare "dotted cliff radical"
149 beginsuglyph("uni5E7F";127);
150 build_kanji.dotcliff_enclose();
151 tsu_render;
152 endsuglyph;
153

```

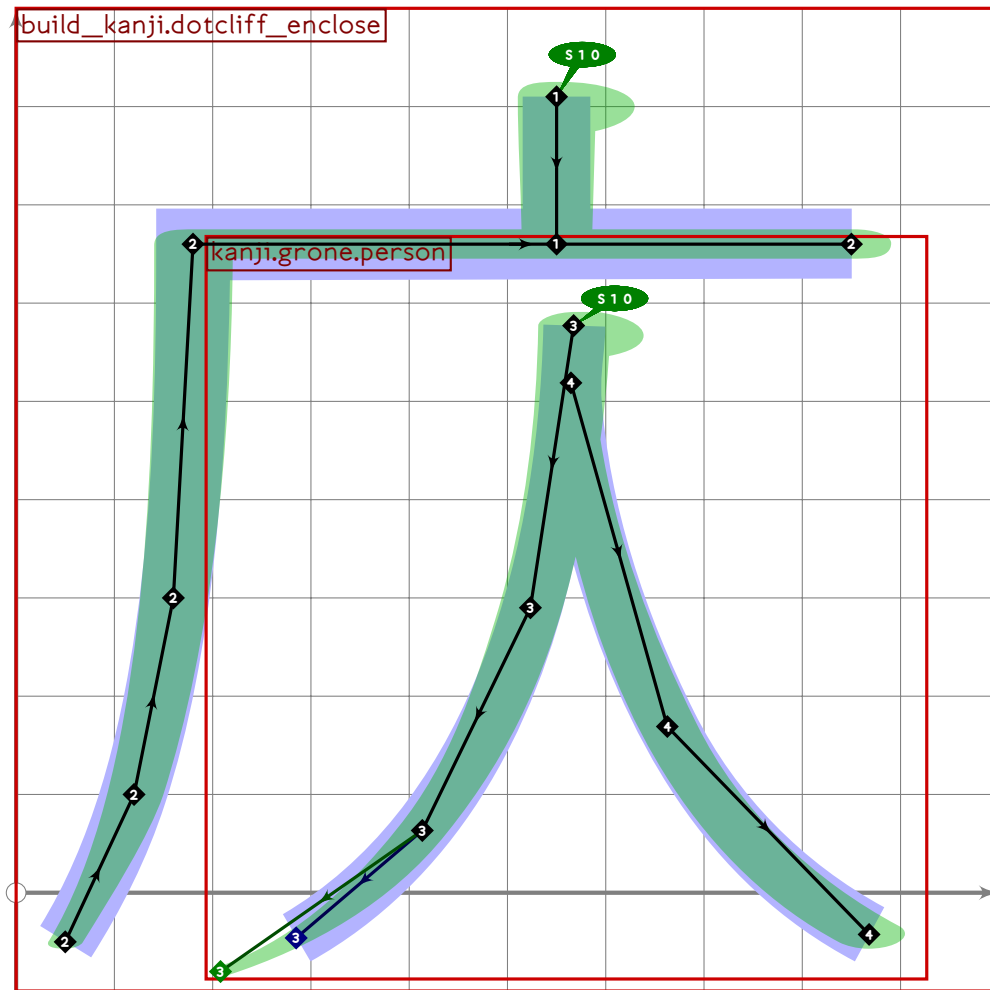


```

154 % extra
155 begint Suglyph("uni5E80",128);
156 build_kanji.dotcliff_enclose(
157     build_kanji.sscale(xscaled 0.9 shifted (80,0))
158     (tsu_curve.kanji.radical.spoon));
159 tsu_render;
160 endsuglyph;
161
162 % chou/yakushou "government office"
163 begint Suglyph("uni5E81",129);
164 tsu_curve.kanji.grsix.government_office;
165 tsu_render;
166 endsuglyph;
167

```

[see page 1235]



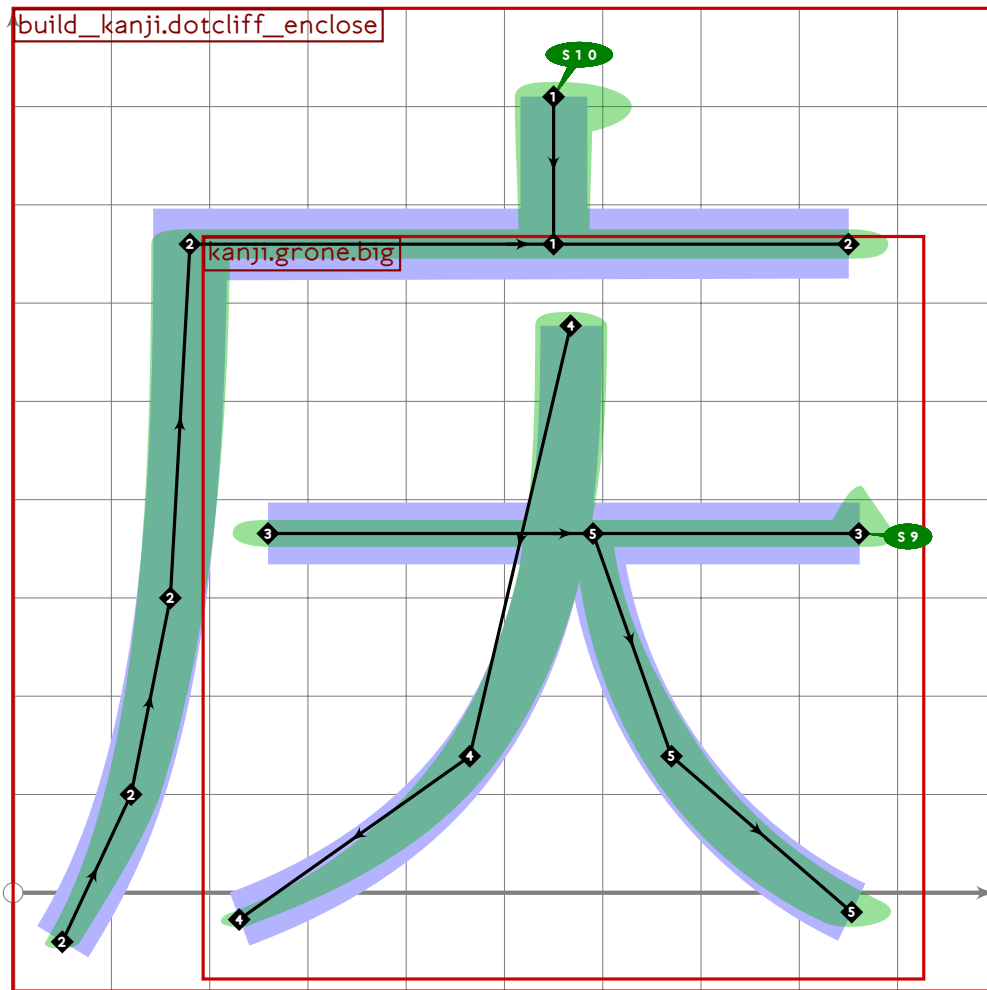
```

168 % extra
169 begintsuglyph("uni5E82",130);
170 build_kanji.dotcliff_enclose(tsu_curve.kanji.grone.person);
171 tsu_render;
172 endtsuglyph;
173
174 % kou/hiro "wide"
175 begintsuglyph("uni5E83",131);
176 tsu_curve.kanji.grtwo.wide;
177 tsu_render;
178 endtsuglyph;
179
180 % kou/hiro "wide"
181 begintsuglyph("uni5E84",132);
182 tsu_curve.kanji.grnine.manor;
183 tsu_render;
184 endtsuglyph;
185

```

[see page 1233]

[see page 1238]



```

186 % extra
187 begint Suglyph("uni5E86";134);
188   build_kanji.dotcliff_enclose(tsu_curve.kanji.grone.big);
189   tsu_render;
190 endtsuglyph;
191
192 % toko/yuka "bed"
193 begint Suglyph("uni5E8A";138);
194   tsu_curve.kanji.greight.bed;
195   tsu_render;
196 endtsuglyph;
197
198 % ten/mise "shop"
199 begint Suglyph("uni5E97";151);
200   tsu_curve.kanji.grtwo.shop;
201   tsu_render;
202 endtsuglyph;
203
204 % fu "urban prefecture"
205 begint Suglyph("uni5E9C";156);
206   tsu_curve.kanji.grfour.urban_prefecture;

```

[see page 1237]

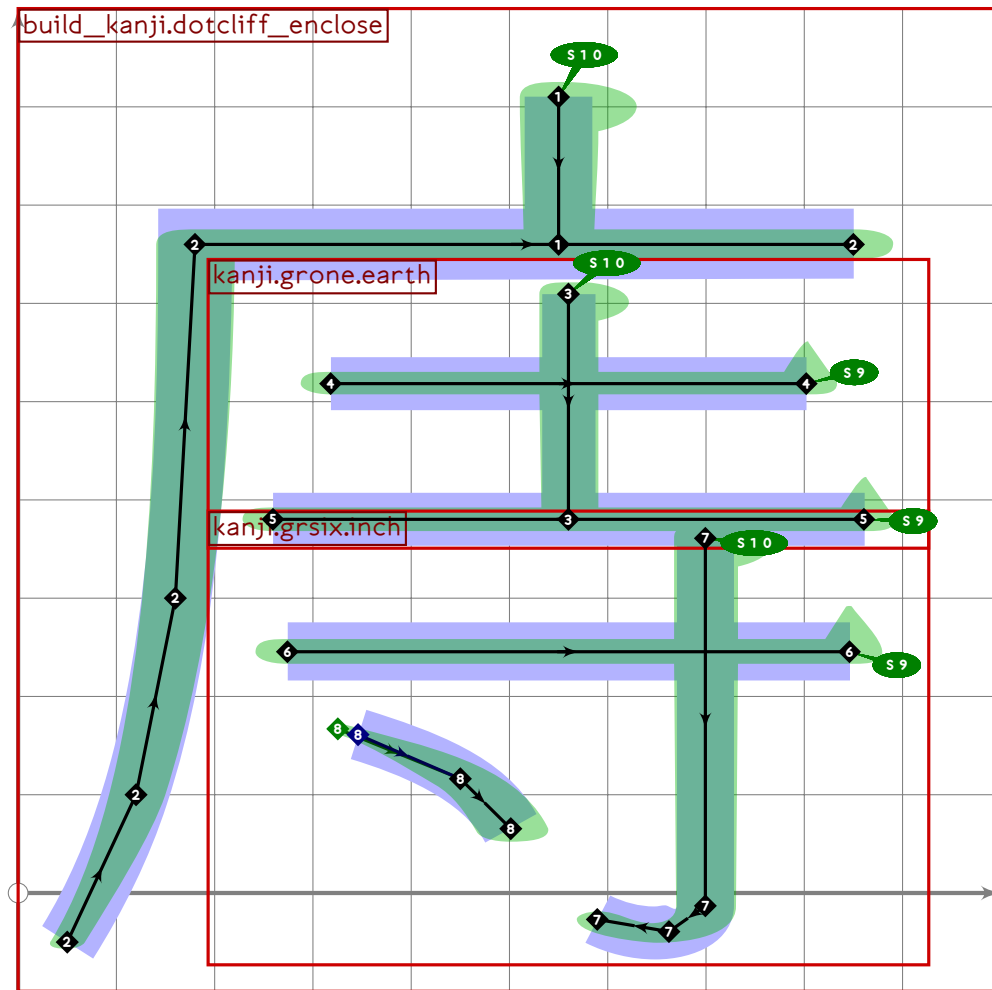
[see page 1232]

[see page 1236]

```

207 tsu_render;
208 endtsuglyph;
209

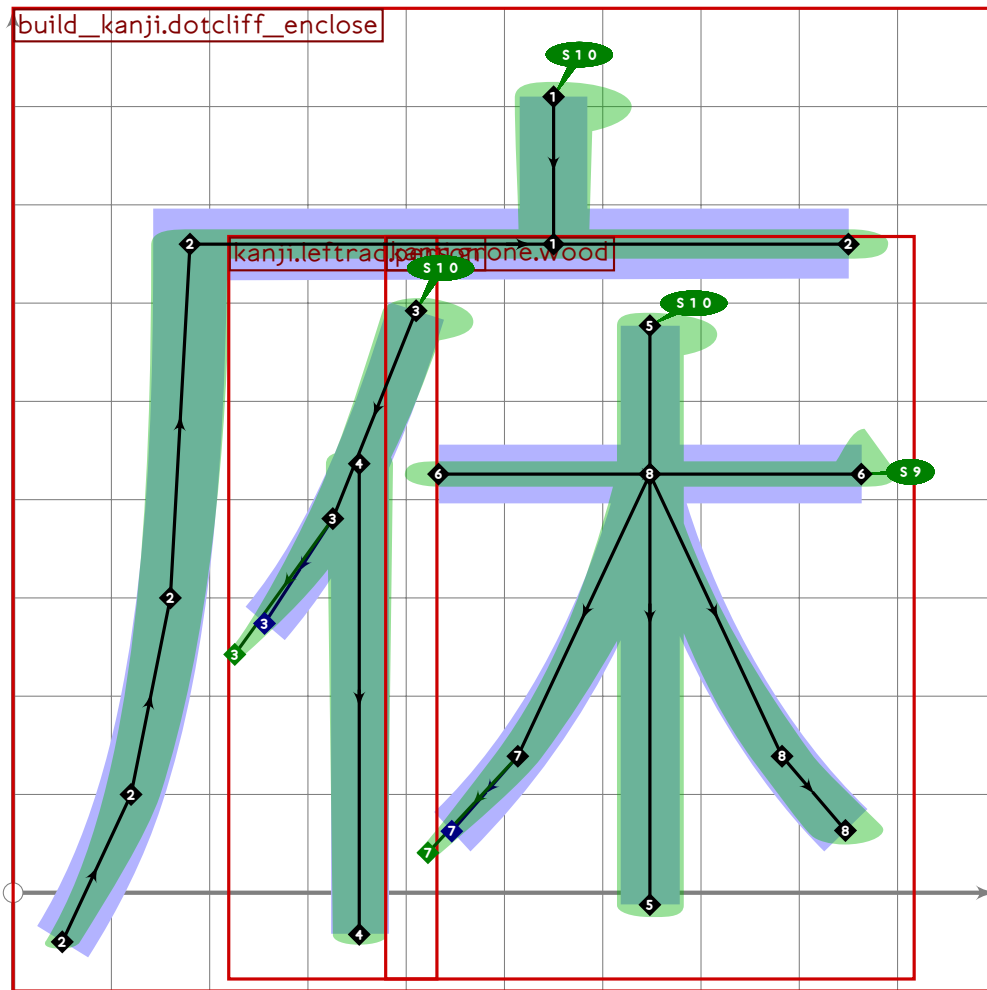
```



```

210 % extra
211 begint Suglyph("uni5EA4",164);
212 build_kanji.dotcliff_enclose(tsu_curve.kanji.grtwo.temple);
213 tsu_render;
214 endtsuglyph;
215

```

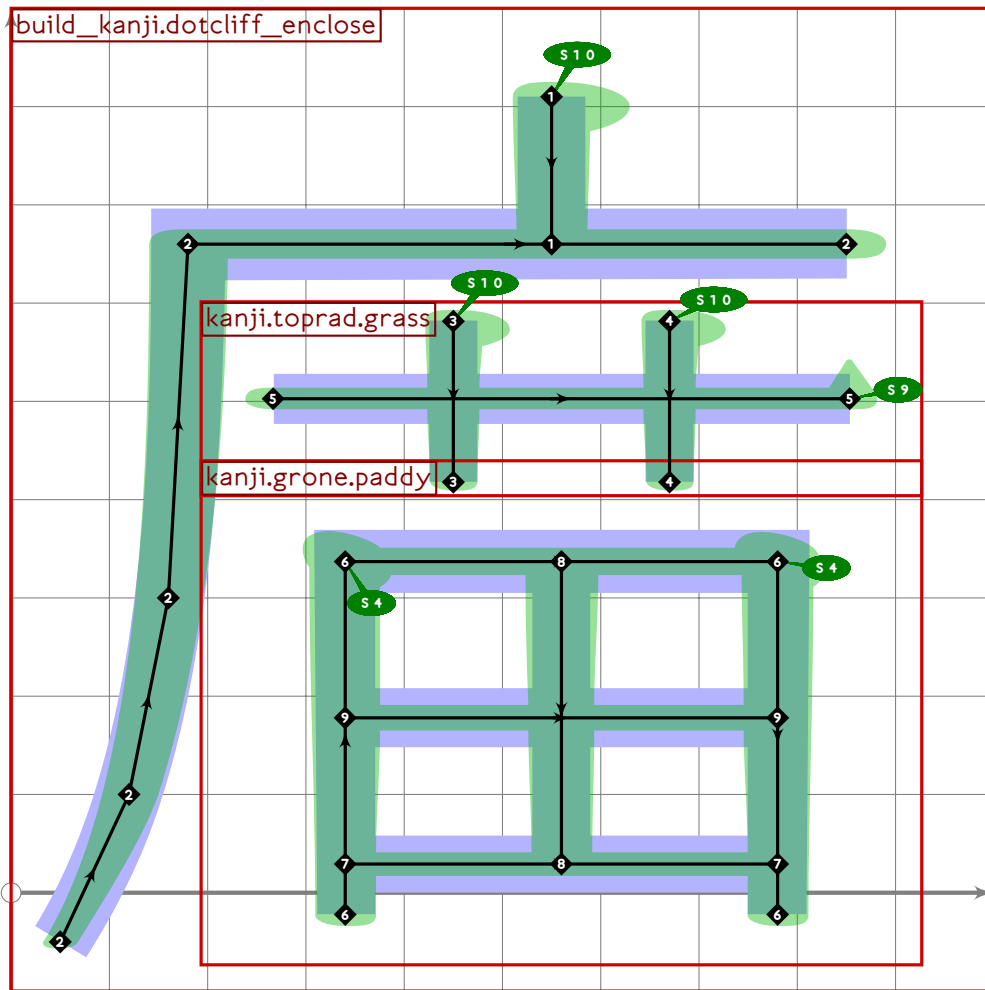


```

216 % extra
217 beginsuglyph("uni5EA5",165);
218 build_kanji.dotcliff_enclose(tsu_curve.kanji.grone.vacation);
219 tsu_render;
220 endsuglyph;
221
222 % ko/kura "warehouse"
223 beginsuglyph("uni5EAB",171);
224 tsu_curve.kanji.grthree.warehouse;
225 tsu_render;
226 endsuglyph;
227

```

[see page 1234]



```

228 % extra
229 begint Suglyph("uni5EBF";191);
230 build_kanji.dotcliff_enclose(
231     tsu_xform(identity yscaled 0.94)(tsu_curve.kanji.greight.seedling));
232 tsu_render;
233 endtsuglyph;
234
235 _____
236
237 endfont;
238
239 _____

```

tsuku5f.mp

```
1 %  
2 % Unicode page 5f (Kanji) for Tsukurimashou  
3 % Copyright (C) 2011 Matthew Skala  
4 %
```

```
5-29 [Standard copyright notice]
```

```
30
```

```
31
```

```
32
```

```
33 beginfont
```

```
34
```

```
35 % AUTODEPS
```

```
36 input buildkanji.mp;
```

```
37 input radical.mp;
```

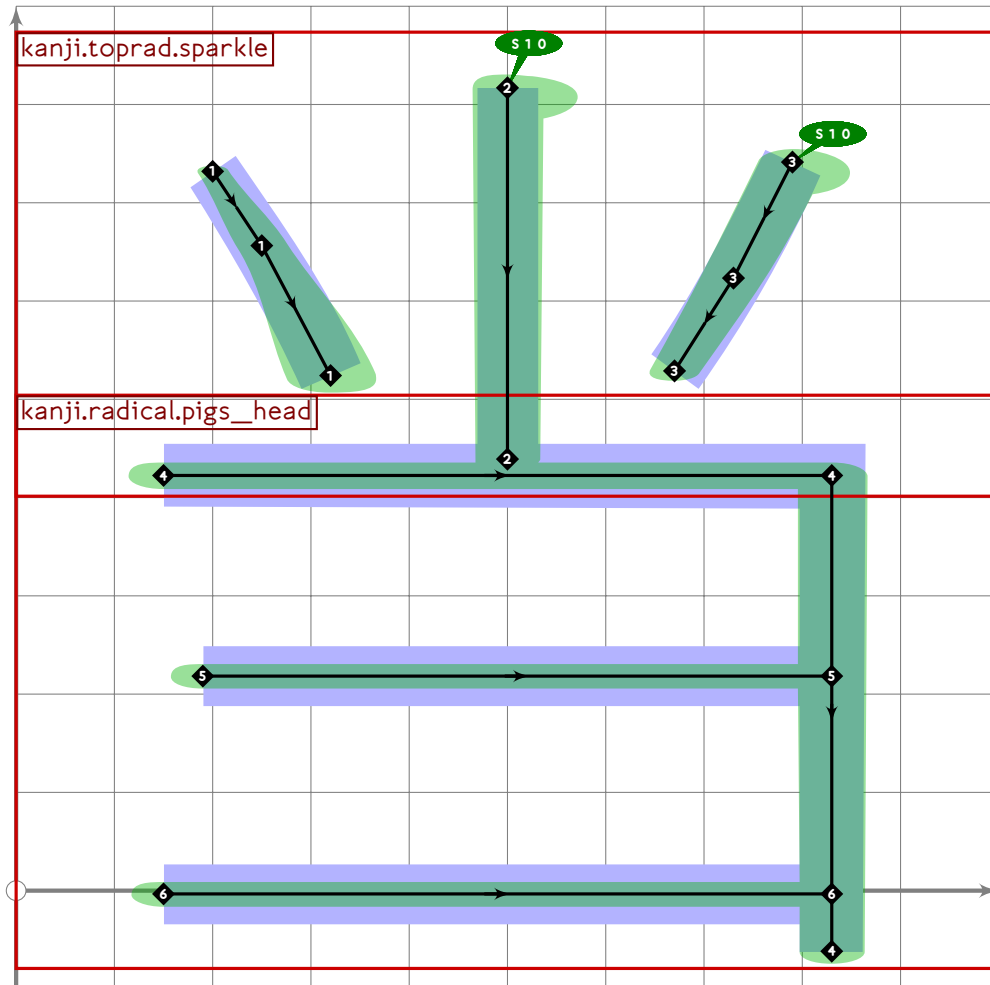
```
38 input toprad.mp;
```

```
39
```

```
40
```

```
41
```

```
42
```



```
43
```

```

44 vardef tsu_curve.kanji.grtwo.hit =
45   add_proof_box("kanji.grtwo.hit");
46   build_kanji.level(build_kanji.tb(450,50)
47     (tsu_curve.kanji.toprad.sparkle)
48     (tsu_curve.kanji.radical.pigs_head));
49 enddef;
50
51 

---


52
53 % needed for lots of other things, rare by itself
54 begintsuglyph("uni5F50";80); [see page 309]
55   tsu_curve.kanji.radical.pigs_tail;
56   tsu_render;
57 endtsuglyph;
58
59 % tou/a(tari) "hit"
60 begintsuglyph("uni5F53";83); [see page 1247]
61   tsu_curve.kanji.grtwo.hit;
62   tsu_render;
63 endtsuglyph;
64-65
66 

---


67
68 endfont;
69
70 

---



```

tsuku-62.mp

```
1 %  
2 % Unicode page 62 (Kanji) for Tsukurimashou  
3 % Copyright (C) 2011 Matthew Skala  
4 %
```

```
5-29 [Standard copyright notice]
```

```
30
```

```
31
```

```
32
```

```
33 beginfont
```

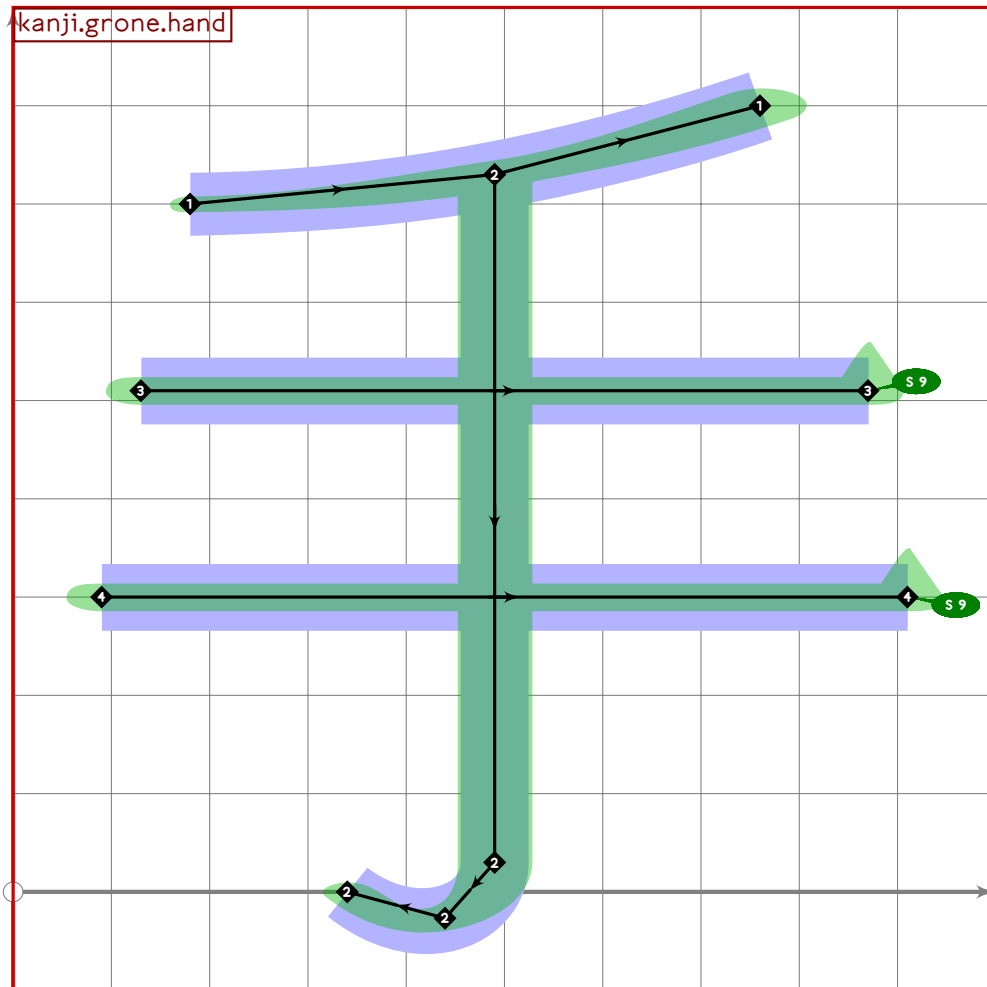
```
34
```

```
35 % AUTODEPS
```

```
36 input buildkanji.mp;
```

```
37
```

```
38
```



```
39
```

```
40 vardef tsu_curve.kanji.grone.hand =  
41   add_proof_box("kanji.grone.hand");  
42   bp[sp]:=(180,700)..(490,730)..(760,800);  
43   bq[sp]:=(1.1,1.1)-(1.5,1.5)-(1.8,1.8);
```

```

44 bp[sp*1]:=(point 1 of bp[sp]);
45 bq[sp*1]:=(1.6,1.6);
46 build_kanji.add_jtail(sp*1);
47 bp[sp*2]:=(130,510)-(870,510);
48 bq[sp*2]:=(1.5,1.5)-(1.5,1.5);
49 bo_serif[sp*2][1]:=9;
50 bp[sp*3]:=(90,300)-(910,300);
51 bq[sp*3]:=(1.5,1.5)-(1.5,1.5);
52 bo_serif[sp*3][1]:=9;
53 sp:=sp+4;
54 enddef;
55
56 

---


57
58 % te "hand"
59 begintsuglyph("uni624B",75); [see page 1248]
60 tsu_curve.kanji.grone.hand;
61 tsu_render;
62 endtsuglyph;
63
64 

---


65
66 endfont;
67
68 

---



```

tsuku-65.mp

```
1 %  
2 % Unicode page 65 (Kanji) for Tsukurimashou  
3 % Copyright (C) 2011 Matthew Skala  
4 %
```

```
5-29 [Standard copyright notice]
```

```
30
```

```
31
```

```
32
```

```
33 beginfont
```

```
34
```

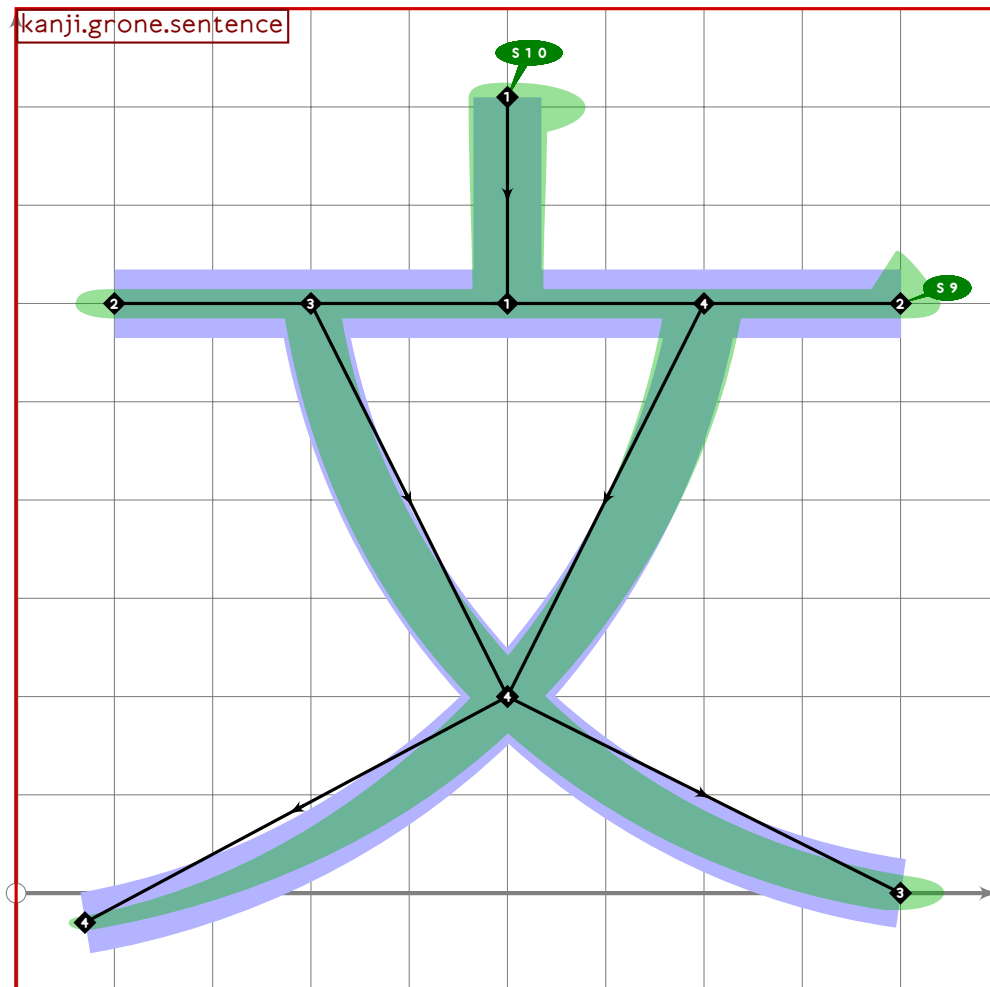
```
35 % AUTODEPS
```

```
36 input buildkanji.mp;
```

```
37 input gradeone.mp;
```

```
38
```

```
39
```



```
40
```

```
41 vardef tsu_curve.kanji.grone.sentence =
```

```
42   add_proof_box("kanji.grone.sentence");
```

```
43   bp[sp]:=(500,810)-(500,600);
```

```

44 bq[sp]:=(1.6,1.6)-(1.5,1.5);
45 bo_serif[sp][0]:=10;
46 bp[sp*1]:=(100,600)-(900,600);
47 bq[sp*1]:=(1.6,1.6)-(1.6,1.6);
48 bo_serif[sp*1][1]:=9;
49 bp[sp*2]:=(300,600)..(500,200)..(900,0);
50 bq[sp*2]:=(1.3,1.3)-(1.5,1.5)-(1.7,1.7);
51 bp[sp*3]:=(700,600)..(500,200)..(70,-30);
52 bq[sp*3]:=(1.6,1.6)-(1.5,1.5)-(1,1);
53 sp:=sp*4;
54 enddef;
55
56 

---


57
58 % bun/fumi "sentence"
59 begintsuglyph("uni6587",135); [see page 1250]
60 tsu_curve.kanji.grone.sentence;
61 tsu_render;
62 endtsuglyph;
63
64 % hi/nichi "day"
65 begintsuglyph("uni65E5",229); [see page 322]
66 tsu_curve.kanji.grone.day;
67 tsu_render;
68 endtsuglyph;
69
70 % hayaku "early"
71 begintsuglyph("uni65E9",233); [see page 325]
72 tsu_curve.kanji.grone.early;
73 tsu_render;
74 endtsuglyph;
75
76 

---


77
78 endfont;
79
80 

---



```

tsuku-66.mp

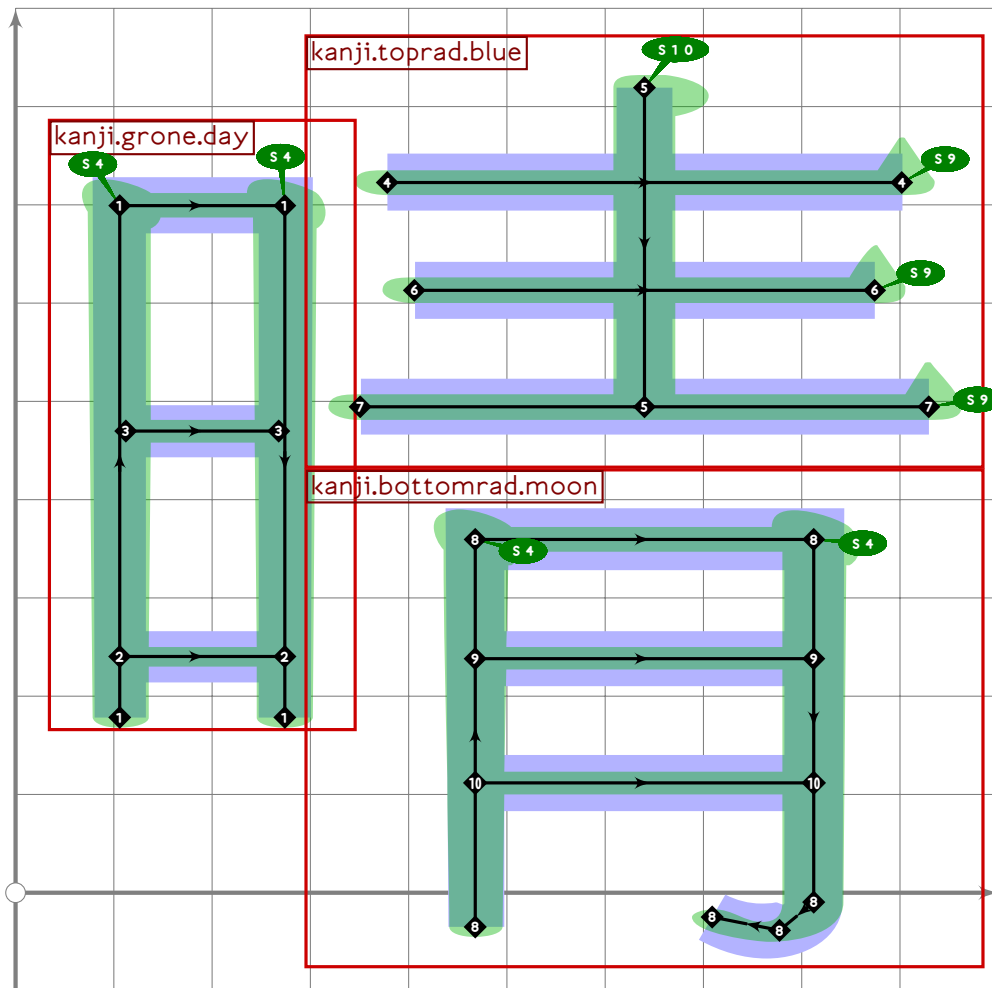
```
1 %
2 % Unicode page 66 (Kanji) for Tsukurimashou
3 % Copyright (C) 2011 Matthew Skala
4 %
5-29 [Standard copyright notice]
30
31 

---


32
33 beginfont
34
35 % AUTODEPS
36 input bottomrad.mp;
37 input buildkanji.mp;
38 input gradeone.mp;
39 input gradesix.mp;
40 input gradetwo.mp;
41 input leftrad.mp;
42 input radical.mp;
43 input toprad.mp;
44
45 

---

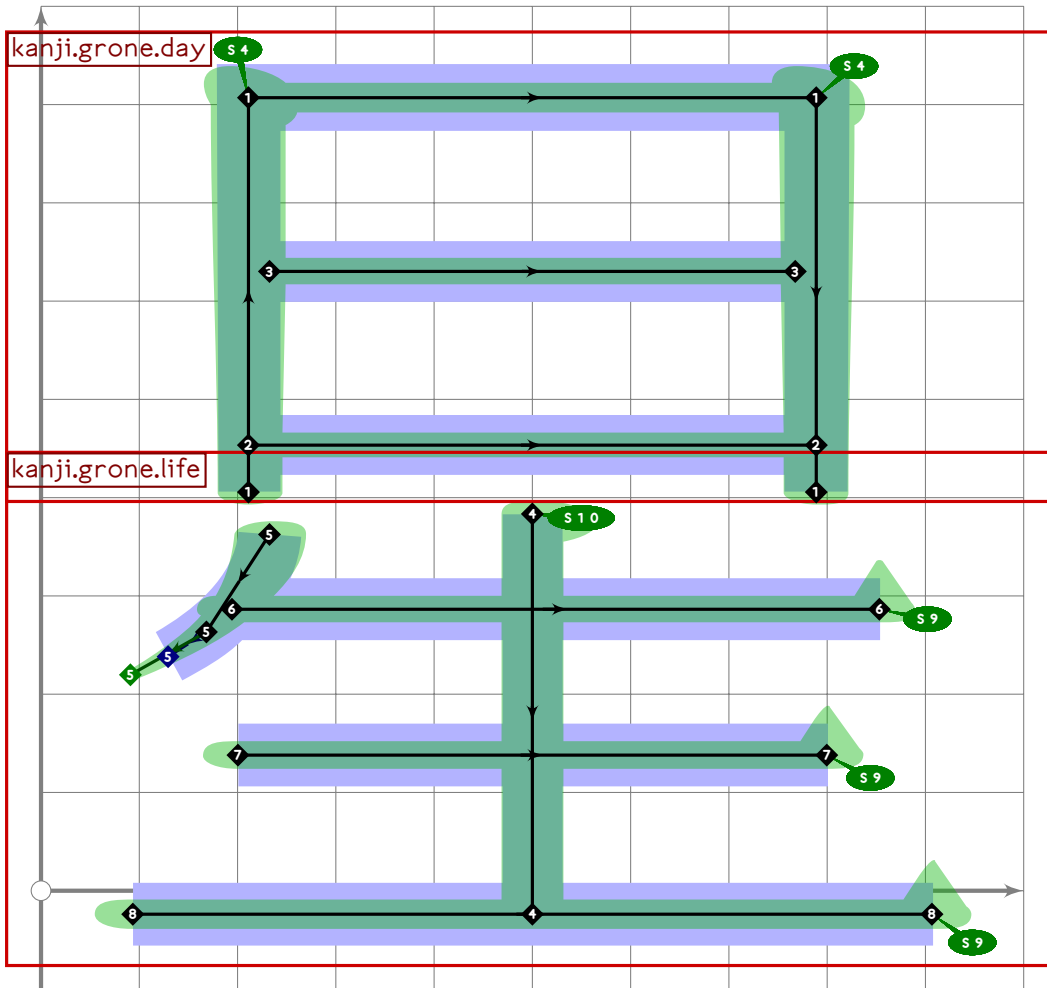

```

```

46
47 vardef tsu_curve.kanji.grtwo.fairweather =
48   add_proof_box("kanji.grtwo.fairweather");
49   build_kanji.lr(330,0)
50     (tsu_curve.kanji.leftrad.day)
51     (tsu_curve.kanji.grone.blue);
52 enddef;

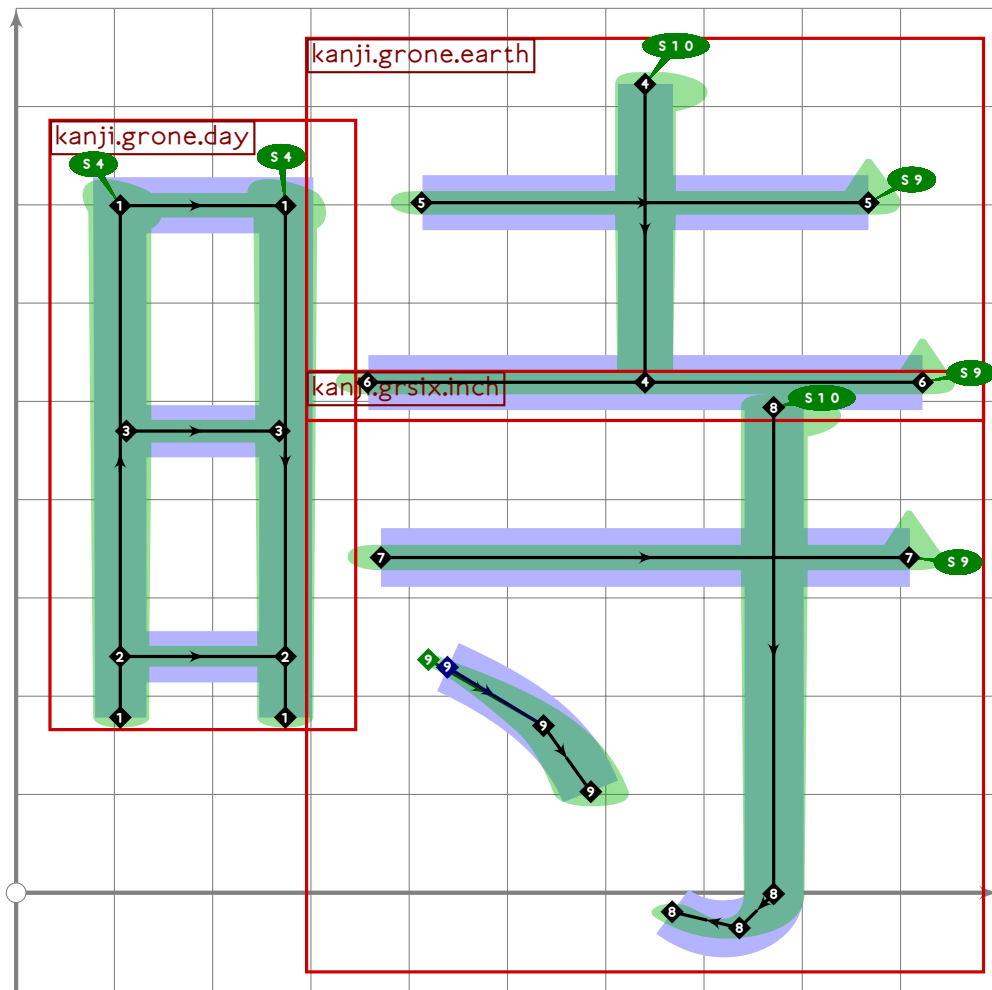
```



```

53
54 vardef tsu_curve.kanji.grtwo.star =
55   add_proof_box("kanji.grtwo.star");
56   build_kanji.sscale(xscaled 1.07)(build_kanji.tb(420,0)
57     (tsu_curve.kanji.grone.day)
58     (tsu_curve.kanji.grone.life));
59 enddef;

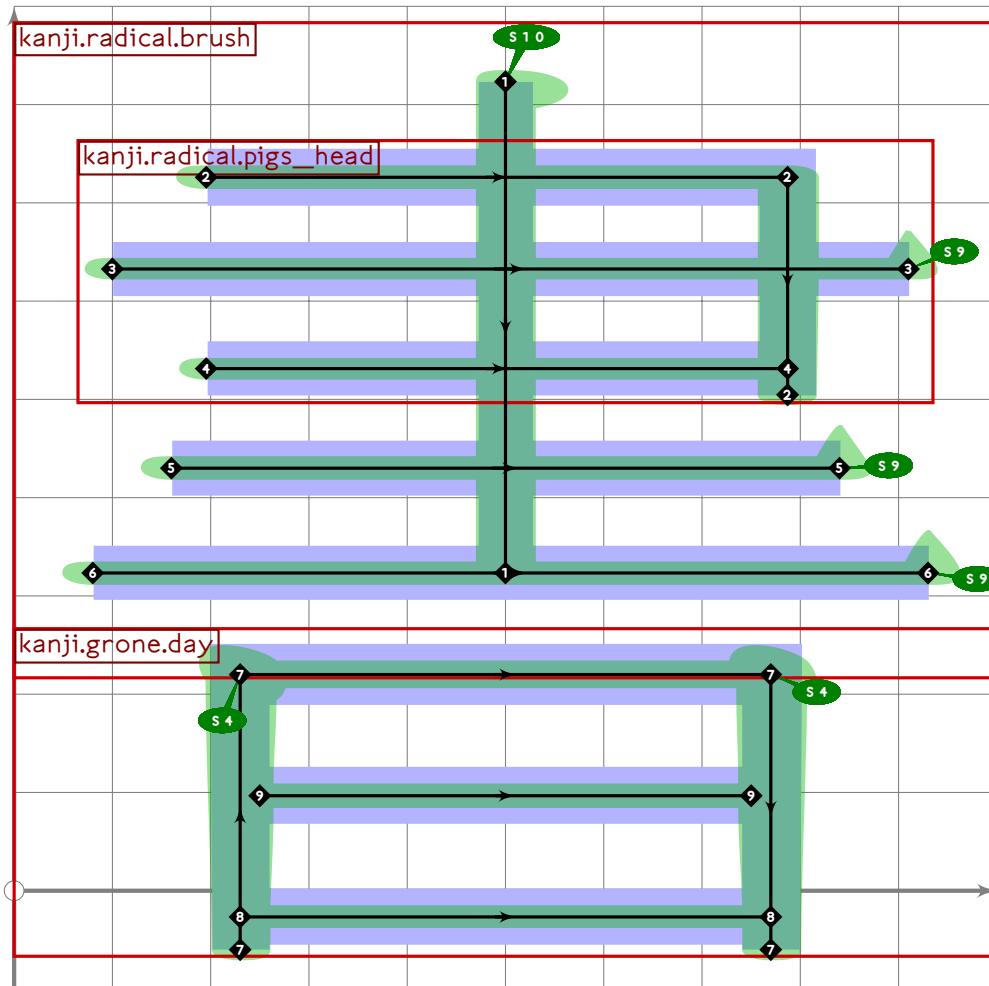
```



```

60
61 vardef tsu_curve.kanji.grtwo.time =
62   add_proof_box("kanji.grtwo.time");
63   build_kanji.lr(330,0)
64     (tsu_curve.kanji.leftrad.day)
65     (tsu_curve.kanji.grtwo.temple);
66 enddef;
67

```



```

68 % "write" is a reserved word
69 vardef tsu_curve.kanji.grtwo.writing =
70   add_proof_box("kanji.grtwo.writing");
71   build_kanji.tb(250,0)
72   (tsu_curve.kanji.radical.brush;
73     bp[sp-6]:=(point 0 of bp[sp-6])-(bp[sp-6] intersectionpoint bp[sp-1]))
74   (tsu_curve.kanji.grone.day);
75 enddef;

```

```

76
77
78
79 % mei/aka "light"
80 begintsuglyph("uni660E",14); [see page 371]
81   tsu_curve.kanji.grtwo.light;
82   tsu_render;
83 endtsuglyph;
84
85 % sei/hoshi "star"
86 begintsuglyph("uni661F",31); [see page 1254]
87   tsu_curve.kanji.grtwo.star;
88   tsu_render;

```

```
89 endtsuglyph;
90
91 % jo/toki "time"
92 begintsuglyph("uni6642",66); [see page 1255]
93 tsu_curve.kanji.grtwo.time;
94 tsu_render;
95 endtsuglyph;
96
97 % sei/ha "fair or clear weather"
98 begintsuglyph("uni6674",116); [see page 1253]
99 tsu_curve.kanji.grtwo.fairweather;
100 tsu_render;
101 endtsuglyph;
102
103 % sho/ka "writing"
104 begintsuglyph("uni66F8",248); [see page 1256]
105 tsu_curve.kanji.grtwo.writing;
106 tsu_render;
107 endtsuglyph;
108
109 

---


110
111 endfont;
112
113 

---


```

tsuku-67.mp

```
1 %  
2 % Unicode page 67 (Kanji) for Tsukurimashou  
3 % Copyright (C) 2011 Matthew Skala  
4 %
```

```
5-29 [Standard copyright notice]
```

```
30
```

```
31
```

```
32
```

```
33 beginfont
```

```
34
```

```
35 % AUTODEPS
```

```
36 input buildkanji.mp;
```

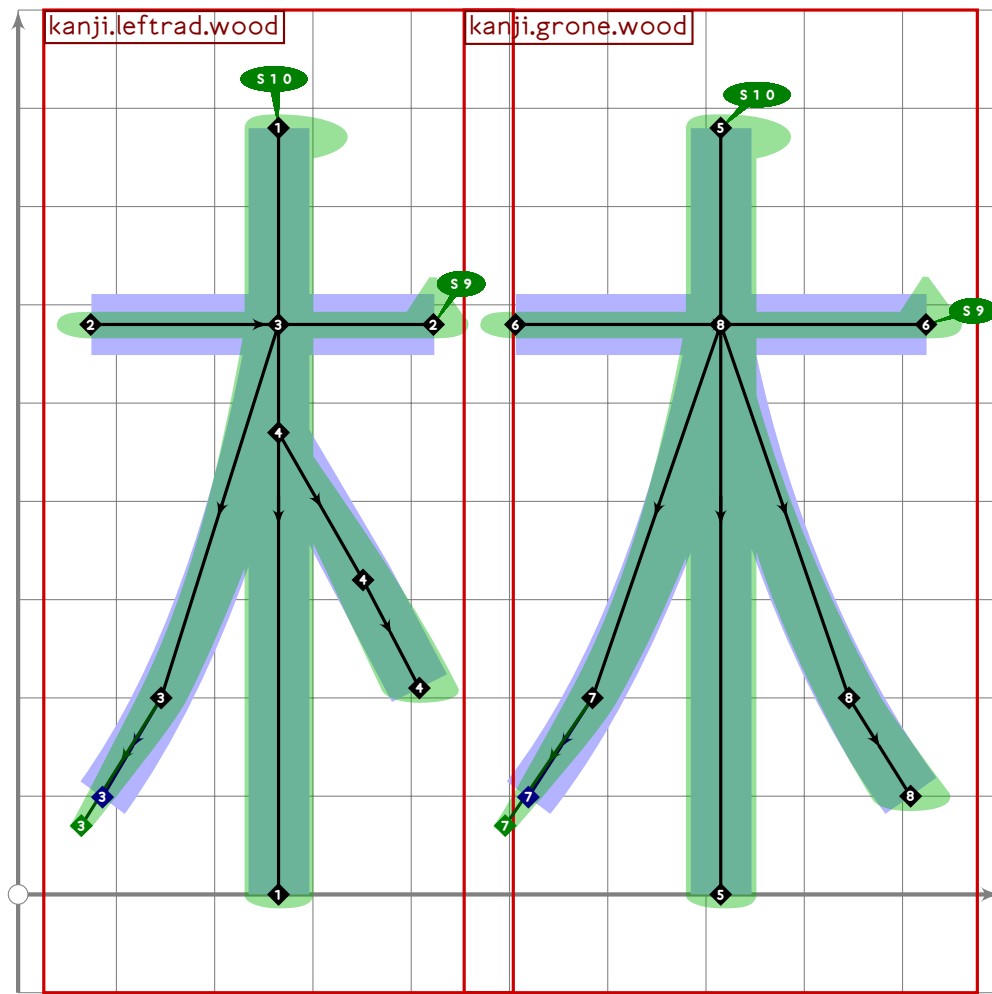
```
37 input gradeone.mp;
```

```
38 input gradesix.mp;
```

```
39 input leftrad.mp;
```

```
40
```

```
41
```



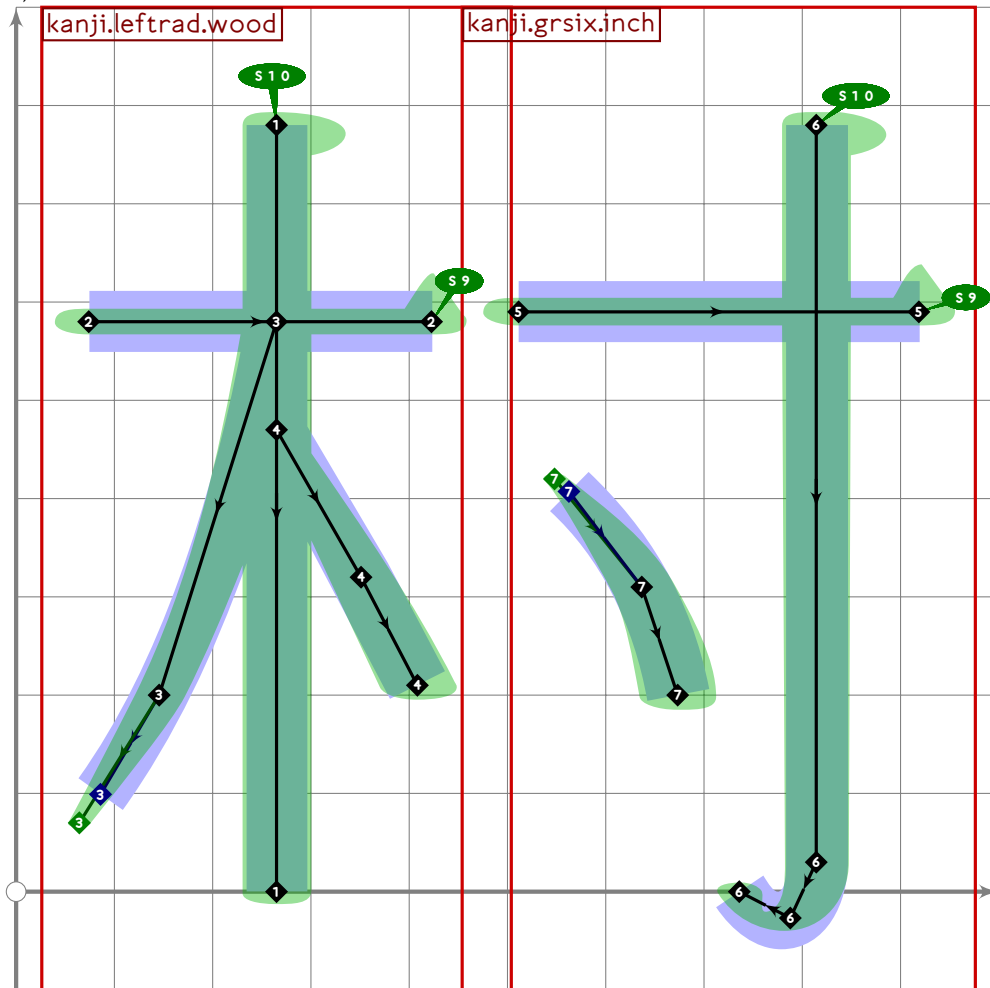
```
42
```

```
43 vardef tsu_curve.kanji.grone.grove =
```

```

44 add_proof_box("kanji.grone.grove");
45 build_kanji.lr(480,0)
46 (tsu_curve.kanji.leftrad.wood)
47 (tsu_curve.kanji.grone.wood);
48 enddef;

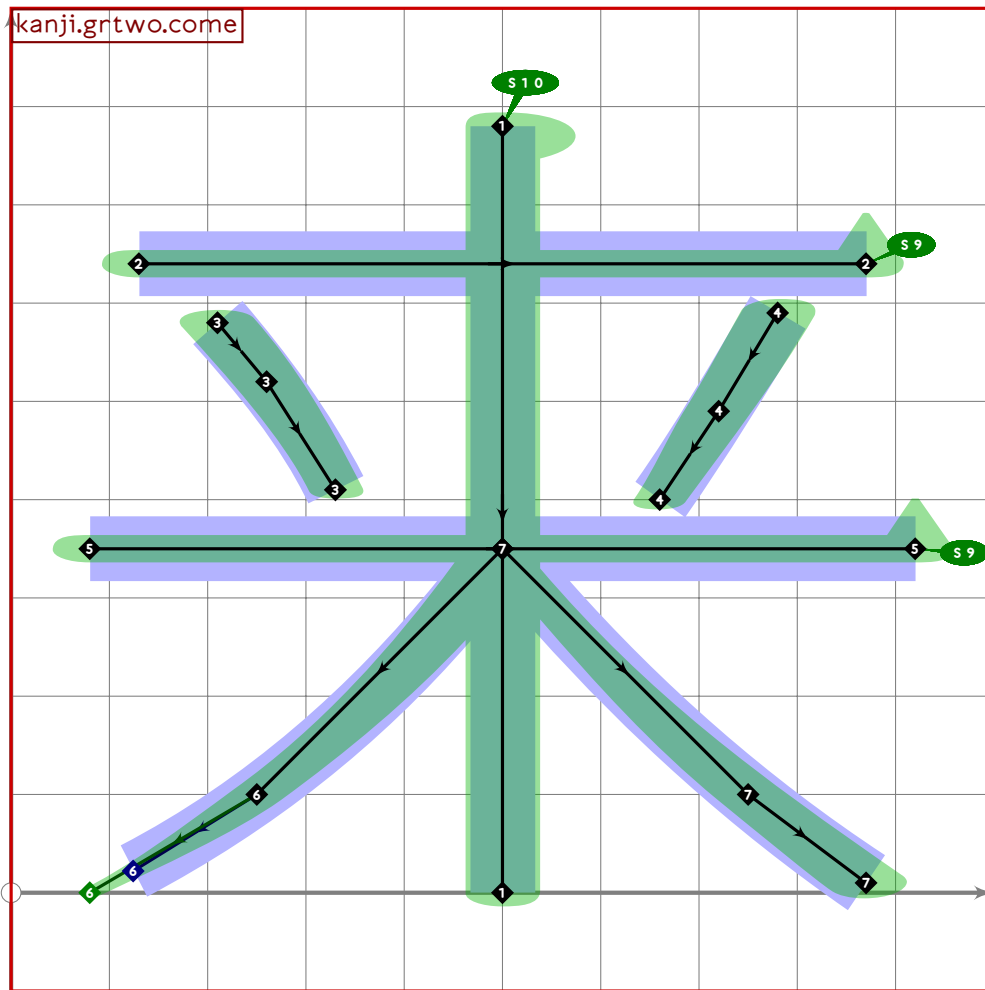
```



```

49
50 vardef tsu_curve.kanji.grone.village =
51   add_proof_box("kanji.grone.village");
52   build_kanji.lr(480,0)
53     (tsu_curve.kanji.leftrad.wood)
54     (tsu_curve.kanji.grsix.inch);
55 enddef;
56
57

```



```

58
59 vardef tsu_curve.kanji.grtwo.come =
60   add_proof_box("kanji.grtwo.come");
61   bp[sp]:= (500,780) - (500,0);
62   bq[sp]:= (1.6,1.6) - (1.6,1.6);
63   bo_serif[sp][0]:= 10;
64   bp[sp*1]:= (130,640) - (870,640);
65   bq[sp*1]:= (1.6,1.6) - (1.6,1.6);
66   bo_serif[sp*1][1]:= 9;
67   bp[sp*2]:= (210,580)..tension 1.2..(260,520)..(330,410);
68   bq[sp*2]:= (1.6,1.6) - (1.5,1.5) - (1.3,1.3);
69   bo_serif[sp*2]:= 10;
70   bp[sp*3]:= (780,590)..tension 1.2..(720,490)..(660,400);
71   bq[sp*3]:= (1.6,1.6) - (1.5,1.5) - (1.3,1.3);
72   bo_serif[sp*3]:= 10;
73   bp[sp*4]:= (80,350) - (920,350);
74   bq[sp*4]:= (1.6,1.6) - (1.6,1.6);
75   bo_serif[sp*4][1]:= 9;
76   bp[sp*5]:= (500,350)..(250,100)..(80,0);
77   bq[sp*5]:= (1.6,1.6)..(1.3,1.3)..(0.9,0.9);
78   bp[sp*6]:= (500,350)..(750,100)..(870,10);

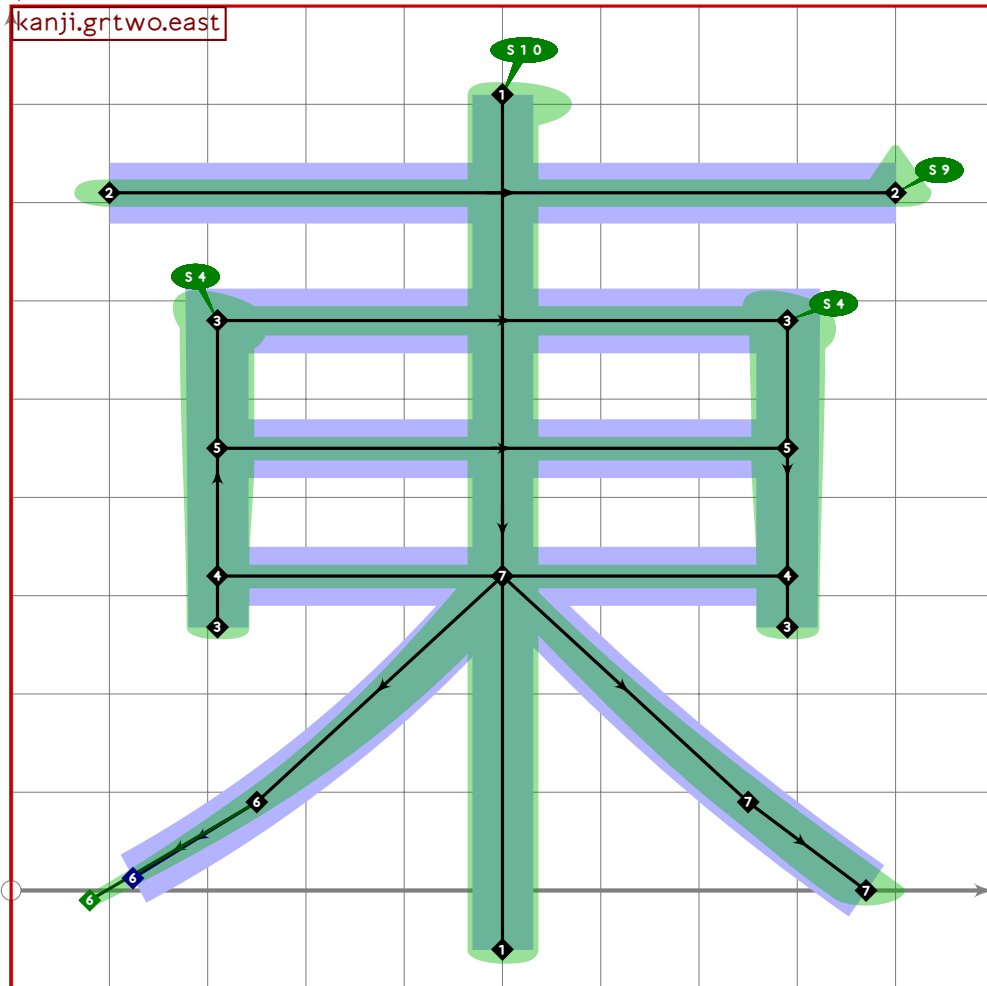
```



```

79 bq[sp*6]:=(1,1,1)..(1.5,1.5)..(1.7,1.7);
80 for i=sp upto sp*6: bo_size[i]:=94; endfor;
81 sp:=sp*7;
82 enddef;

```



```

83
84 vardef tsu_curve.kanji.grtwo.east =
85   add_proof_box("kanji.grtwo.east");
86   bp[sp]:=(500,810)-(500,-60);
87   bq[sp]:=(1.6,1.6)-(1.6,1.6);
88   bo_serif[sp][0]:=10;
89   bp[sp*1]:=(100,710)-(900,710);
90   bq[sp*1]:=(1.6,1.6)-(1.6,1.6);
91   bo_serif[sp*1][1]:=9;
92   sp:=sp*2;
93   build_kanji.box((210,580),(790,320));
94   bp[sp]:=(210,450)-(790,450);
95   bq[sp]:=(1.5,1.5)-(1.5,1.5);
96   bp[sp*1]:=(500,320)..(250,90)..(80,-10);
97   bq[sp*1]:=(1.6,1.6)..(1.3,1.3)..(0.9,0.9);
98   bp[sp*2]:=(500,320)..(750,90)..(870,0);
99   bq[sp*2]:=(1,1,1)..(1.5,1.5)..(1.7,1.7);

```

```

100 sp:=sp+3;
101 for i=sp-8 upto sp-1: bo_size[i]:=89; endfor;
102 enddef;
103
104 

---


105
106 % tsuki/getsu "moon"
107 begintsuglyph("uni6708",8); [see page 339]
108 tsu_curve.kanji.grone.moon;
109 tsu_render;
110 endtsuglyph;
111
112 % ki "wood"
113 begintsuglyph("uni6728",40); [see page 365]
114 tsu_curve.kanji.grone.wood;
115 tsu_render;
116 endtsuglyph;
117
118 % hon "book"
119 begintsuglyph("uni672C",44); [see page 318]
120 tsu_curve.kanji.grone.book;
121 tsu_render;
122 endtsuglyph;
123
124 % son/mura "village"
125 begintsuglyph("uni6751",81); [see page 1259]
126 tsu_curve.kanji.grone.village;
127 tsu_render;
128 endtsuglyph;
129
130 % ku/rai "come"
131 begintsuglyph("uni6765",101); [see page 1260]
132 tsu_curve.kanji.grtwo.come;
133 tsu_render;
134 endtsuglyph;
135
136 % tou/higashi "east"
137 begintsuglyph("uni6771",113); [see page 1261]
138 tsu_curve.kanji.grtwo.east;
139 tsu_render;
140 endtsuglyph;
141
142 % rin/hayashi "grove"
143 begintsuglyph("uni6797",151); [see page 1258]
144 tsu_curve.kanji.grone.grove;
145 tsu_render;
146 endtsuglyph;
147

```

148

149

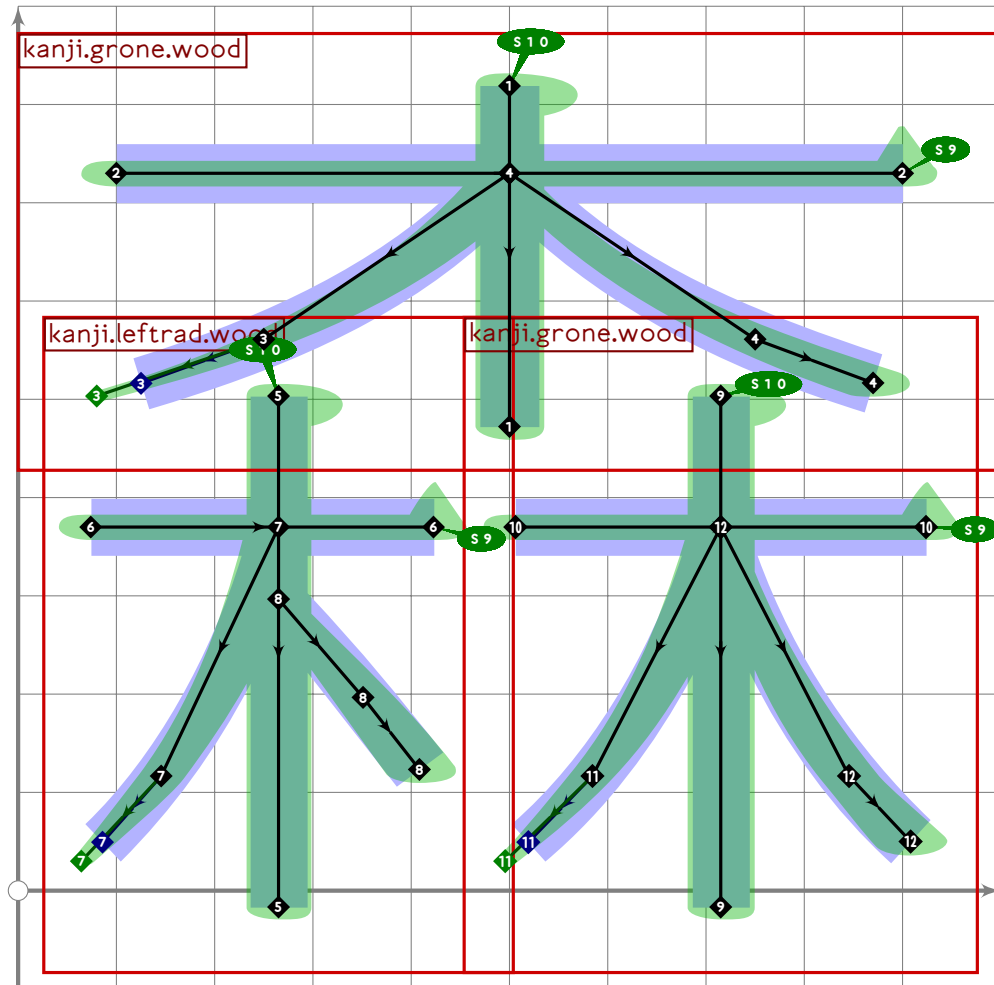
150 **endfont;**

151

152

tsuku-68.mp

```
1 %  
2 % Unicode page 68 (Kanji) for Tsukurimashou  
3 % Copyright (C) 2011 Matthew Skala  
4 %  
5-29 [Standard copyright notice]  
30  
31 _____  
32  
33 beginfont  
34  
35 % AUTODEPS  
36 input buildkanji.mp;  
37 input gradeone.mp;  
38 input gradetwo.mp;  
39 input leftrad.mp;  
40 input radical.mp;  
41  
42 _____
```

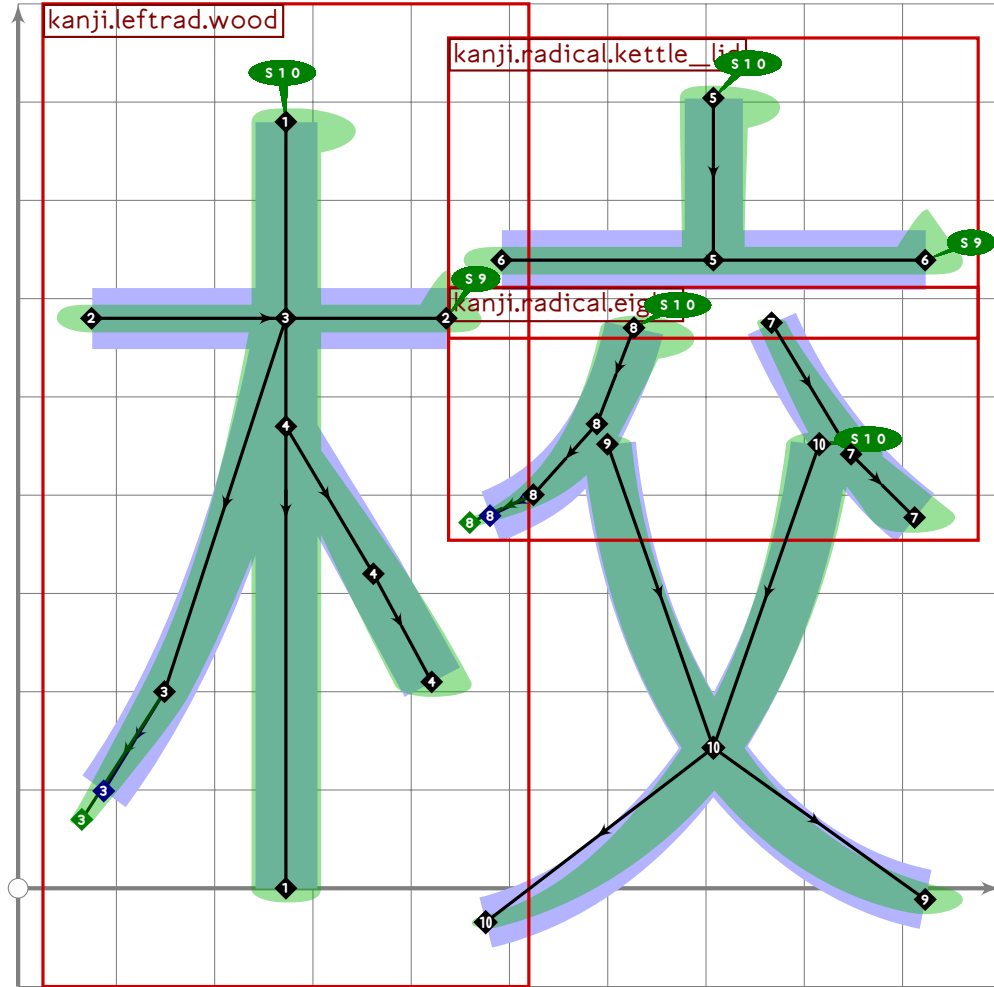


43

```

44 vardef tsu_curve.kanji.grone.forest =
45   add_proof_box("kanji.grone.forest");
46   build_kanji.tb(500,100)
47     (tsu_curve.kanji.grone.wood)
48     (build_kanji.lr(480,0)
49       (tsu_curve.kanji.leftrad.wood)
50       (tsu_curve.kanji.grone.wood));
51 enddef;

```



```

52
53 vardef tsu_curve.kanji.grone.school =
54   add_proof_box("kanji.grone.school");
55   build_kanji.lr(480,30)
56     (tsu_curve.kanji.leftrad.wood)
57     (tsu_curve.kanji.grtwo.mix);
58 enddef;

```

59

60

61

62 % kou "school"

63 `begintsuglyph("uni6821";33);`

64 `tsu_curve.kanji.grone.school;`

[see page 1265]

```
65  tsu_render;
66  endtsuglyph;
67
68  % shin/mori "forest"
69  begintsuglyph("uni68EE",238); [see page 1265]
70  tsu_curve.kanji.grone.forest;
71  tsu_render;
72  endtsuglyph;
73
74  _____
75
76  endfont;
77
78  _____
```

tsuku-6b.mp

```
1 %  
2 % Unicode page 6b (Kanji) for Tsukurimashou  
3 % Copyright (C) 2011 Matthew Skala  
4 %
```

```
5-29 [Standard copyright notice]
```

```
30
```

```
31
```

```
32
```

```
33 beginfont
```

```
34
```

```
35 % AUTODEPS
```

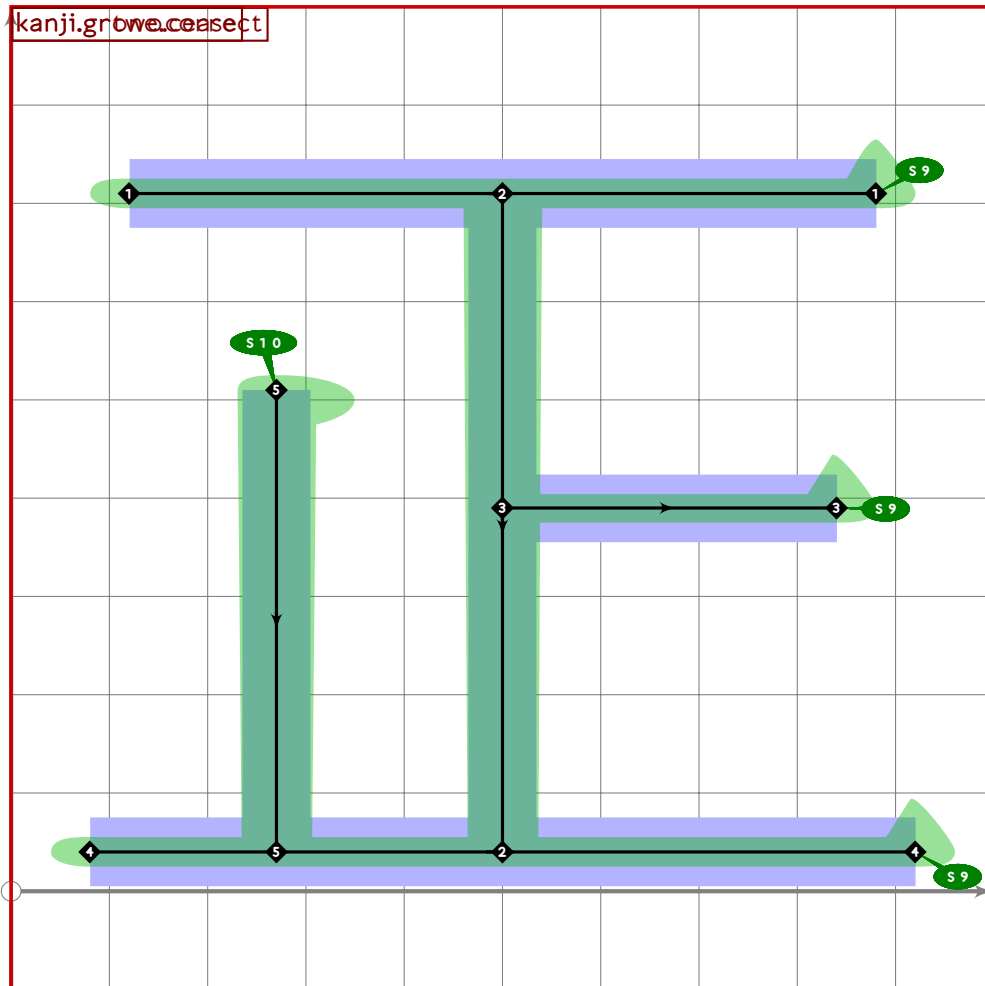
```
36 input buildkanji.mp;
```

```
37 input gradeone.mp;
```

```
38 input gradetwo.mp;
```

```
39
```

```
40
```



```
41
```

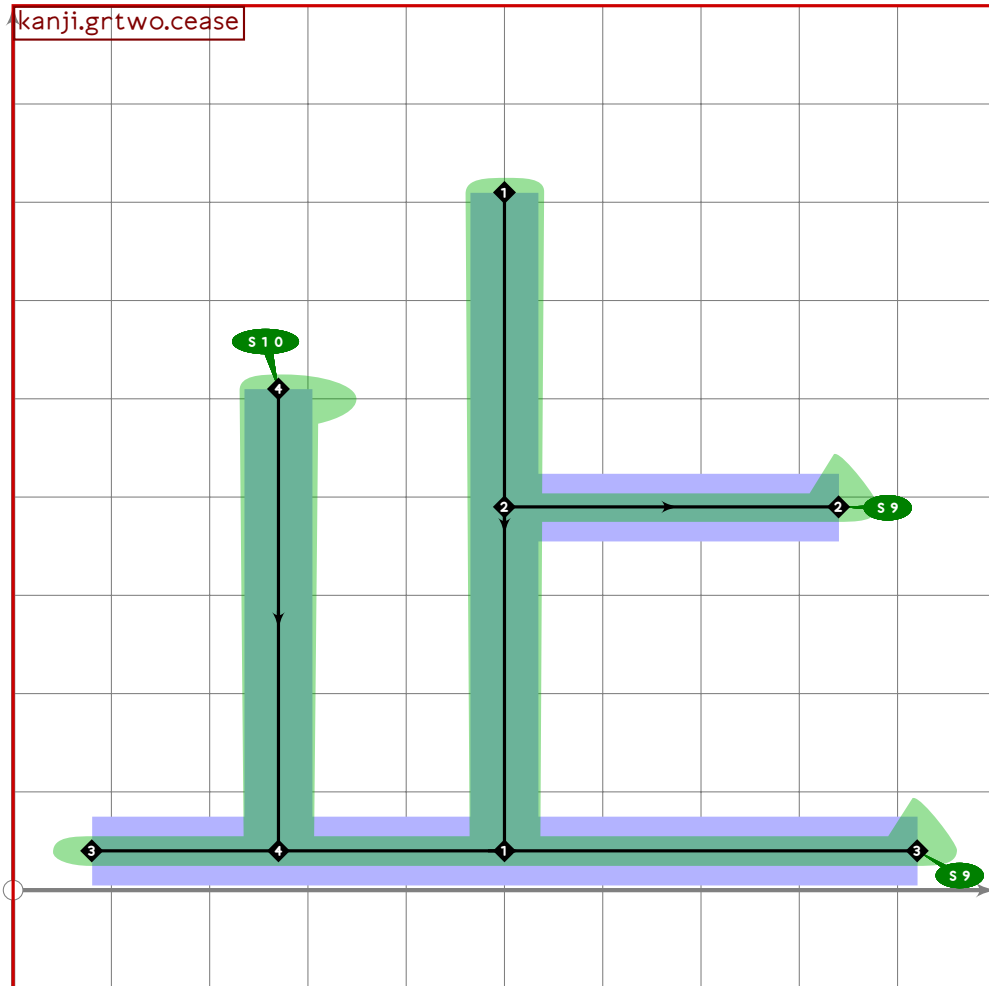
```
42 vardef tsu_curve.kanji.grone.correct =
```

```
43   add_proof_box("kanji.grone.correct");
```

```

44 bp[sp]:=(120,710)-(880,710);
45 bq[sp]:=(1.6,1.6)-(1.6,1.6);
46 bo_serif[sp][1]:=9;
47 sp:=sp*1;
48 tsu_curve.kanji.grtwo.cease;
49 enddef;
50
51
52

```



```

53 % can't use "stop," it is reserved by Metafont
54 vardef tsu_curve.kanji.grtwo.cease =
55   add_proof_box("kanji.grtwo.cease");
56   bp[sp]:=(500,710)-(500,40);
57   bq[sp]:=(1.6,1.6)-(1.5,1.5);
58   bp[sp*1]:=(500,390)-(840,390);
59   bq[sp*1]:=(1.5,1.5)-(1.6,1.6);
60   bo_serif[sp*1][1]:=9;
61   bp[sp*2]:=(80,40)-(920,40);
62   bq[sp*2]:=(1.6,1.6)-(1.6,1.6);
63   bo_serif[sp*2][1]:=9;
64   bp[sp*3]:=(270,510)-(270,40);

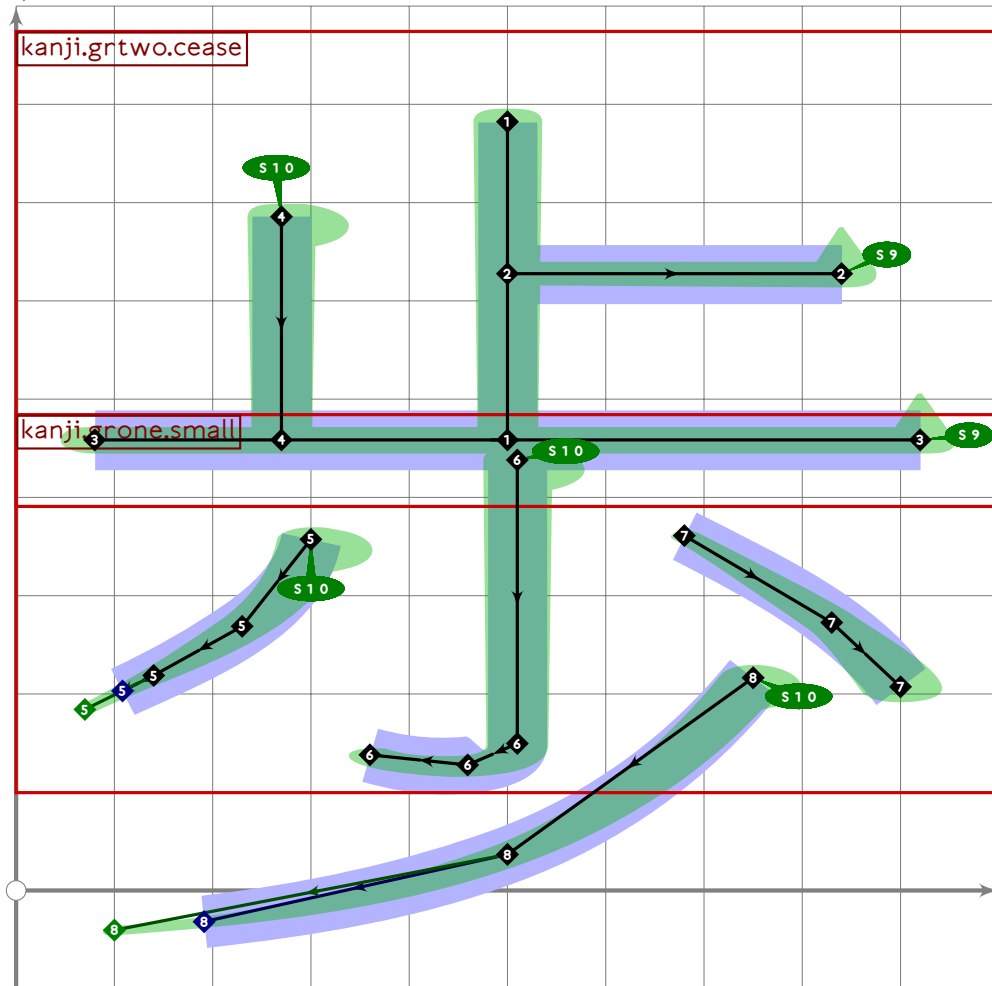
```



```

65 bq[sp+3]:=(1.6,1.6)-(1.5,1.5);
66 bo_serif[sp+3][0]:=10;
67 sp:=sp*4;
68 enddef;

```



```

69
70 vardef tsu_curve.kanji.grtwo.walk =
71   add_proof_box("kanji.grtwo.walk");
72   build_kanji.level(build_kanji.tb(440,50)
73     (tsu_curve.kanji.grtwo.cease)
74     (tsu_curve.kanji.grtwo.little));
75 enddef;
76
77
78
79 % shi/toma "stop"
80 begint Suglyph("uni6B62";98);
81   tsu_curve.kanji.grtwo.cease;
82   tsu_render;
83 endtsuglyph;
84
85 % sei/tada/machi "correct"

```

[see page 1268]

```
86 begintsuglyph("uni6B63";99); [see page 1267]
87 tsu_curve.kanji.grone.correct;
88 tsu_render;
89 endtsuglyph;
90
91 % ho/aruku "walk"
92 begintsuglyph("uni6B69";105); [see page 1269]
93 tsu_curve.kanji.grtwo.walk;
94 tsu_render;
95 endtsuglyph;
96
97 

---


98
99 endfont;
100
101 

---


```

tsuku-6c.mp

```
1 %
2 % Unicode page 6c (Kanji) for Tsukurimashou
3 % Copyright (C) 2011 Matthew Skala
4 %
5-29 [Standard copyright notice]
30
31 

---


32
33 beginfont
34
35 % AUTODEPS
36 input bottomrad.mp;
37 input buildkanji.mp;
38 input gradeone.mp;
39 input gradethree.mp;
40 input radical.mp;
41 input topgrad.mp;
42
43 

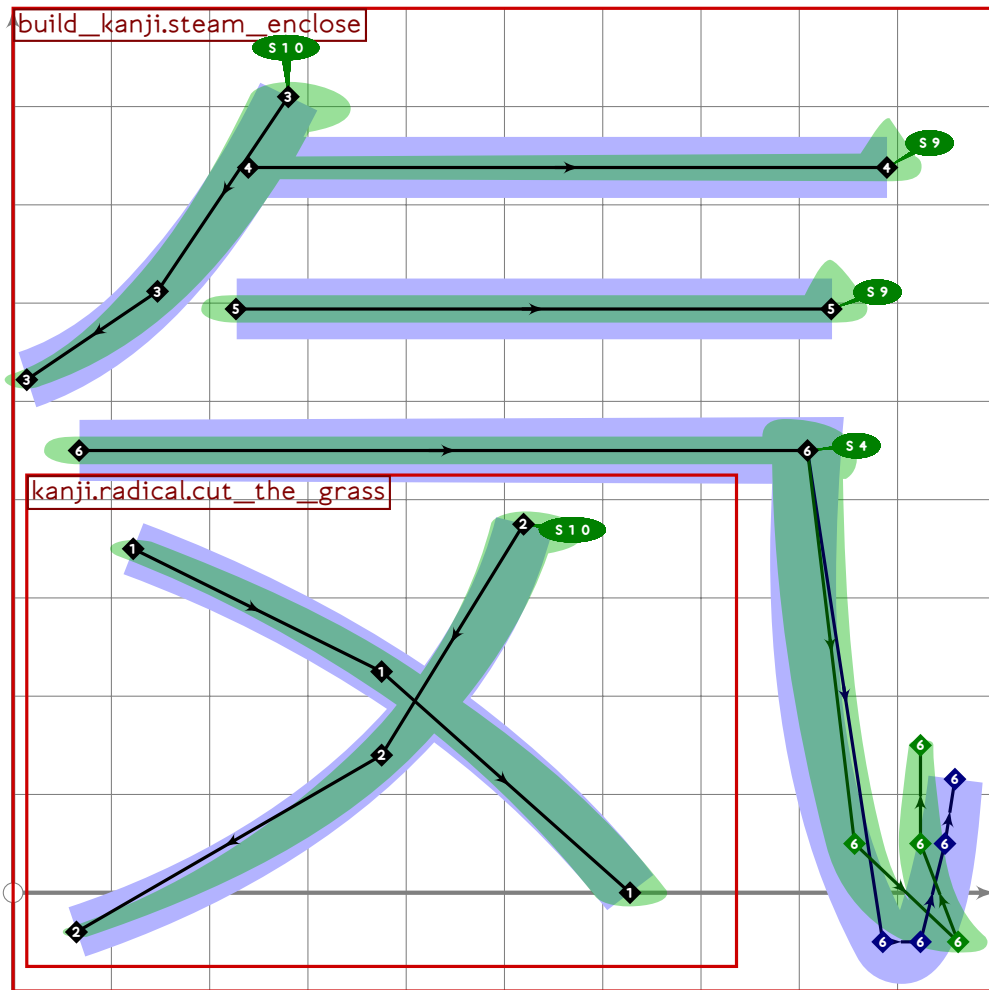
---


44
45 vardef build_kanji.steam_enclose(expr ur)(text contents) =
46   begingroup
47     save xfa,xfb,xfc,xfd;
48     transform xfa,xfb,xfc,xfd;
49     (50,-50) transformed xfc=(50,-50);
50     (950,850) transformed xfc=ur;
51     xypart xfc=yxpart xfc=0;
52     tsu_xform(xfc)(contents);
53     add_proof_box("build_kanji.steam_enclose");
54
55     (0,0) transformed xfa=(0,950) transformed xfc;
56     (1,1) transformed xfa=(280,810);
57     xypart xfa=yxpart xfa=0;
58     (0,0) transformed xfb=(1100,950) transformed xfc;
59     (1,1) transformed xfb=(970,810);
60     xypart xfb=yxpart xfb=0;
61     (0,1) transformed xfd=(1100,950) transformed xfc;
62     (1,0) transformed xfd=(1000,50);
63     xypart xfd=yxpart xfd=0;
64
65     bp[sp]:=((1,1)..tension 1.2..(0.5,0.45)..(0,0.2)) transformed xfa;
66     bq[sp]:=(1.7,1.7)-(1.5,1.5)-(1.2,1.2);
67     bo_serif[sp][0]:=10;
68
69     bp[sp*1]=(bp[sp] intersectionpoint
70       (((0,0.8)-(1,0.8)) transformed xfa))-
```

```

71     ((0.5,0.8) transformed xfb);
72     bq[sp*1]=(1.5,1.5)-(1.6,1.6);
73     bo_serif[sp*1][1]=9;
74
75     bp[sp*2]=((0.8,0.4) transformed xfa)-((0.15,0.4) transformed xfb);
76     bq[sp*2]=(1.6,1.6)-(1.6,1.6);
77     bo_serif[sp*2][1]=9;
78
79     bp[sp*3]=((0.2,0) transformed xfa)-(interpath(mincho,
80         (0,1)..tension 1.6..(0.4,0)..(0.6,0)..tension 1.5..
81         (0.73,0.2)..(0.8,0.4),
82         (0,1)..tension 1.6..(0.25,0.2)..{right}(0.8,0){curl 1}..
83         (0.6,0.2)..(0.6,0.4)
84         ) transformed xfd);
85     bq[sp*3]=(1.6,1.6)-(1.6,1.6)-(1.4,1.4)-
86         (1.4,1.4)-(1.2,1.2)-(0.9,0.9);
87     bo_serif[sp*3][1]=4;
88     bo_tip[sp*3][1]=1;
89
90     bo_size[sp]=bo_size[sp*1]=bo_size[sp*2]=bo_size[sp*3]=90;
91     sp=sp*4;
92     endgroup;
93 enddef;
94
95

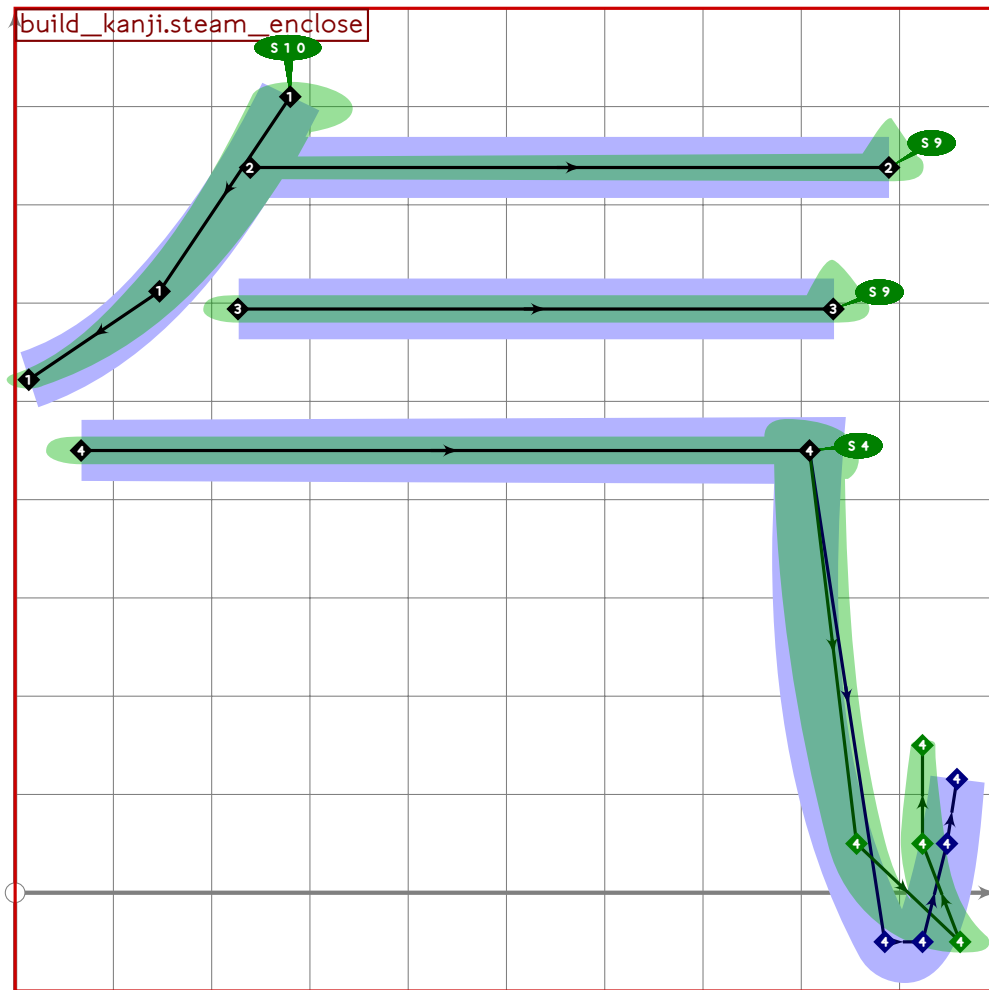
```



```

96
97 vardef tsu_curve.kanji.grone.spirit =
98   add_proof_box("kanji.grone.spirit");
99   build_kanji.steam_enclose((700,400))
100   (tsu_curve.kanji.radical.cut_the_grass);
101 enddef;
102
103 _____
104

```

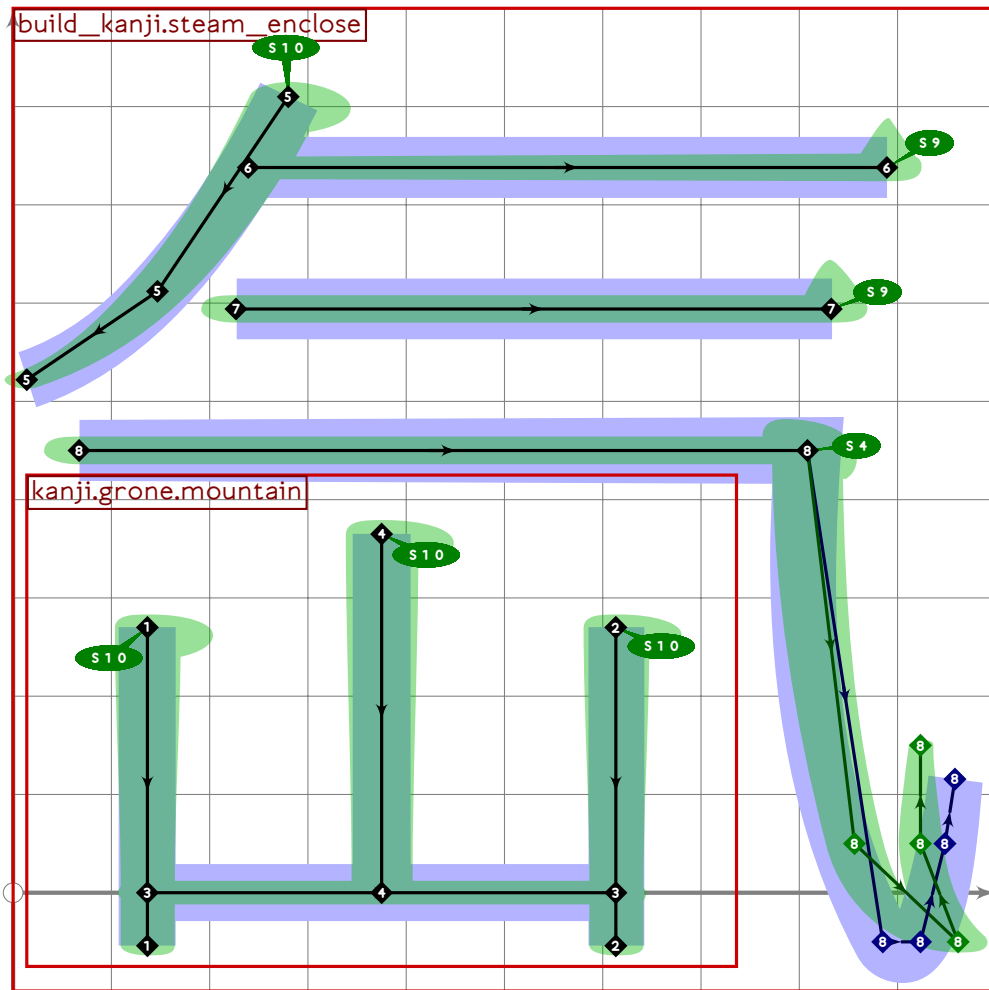


```

105 % sei/tada/machi "correct"
106 begint Suglyph("uni6C14";20);
107 build_kanji.steam_enclose((700,400))();
108 tsu_render;
109 endtsuglyph;
110
111 % ki/iki "spirit"
112 begint Suglyph("uni6C17";23);
113 tsu_curve.kanji.grone.spirit;
114 tsu_render;
115 endtsuglyph;
116

```

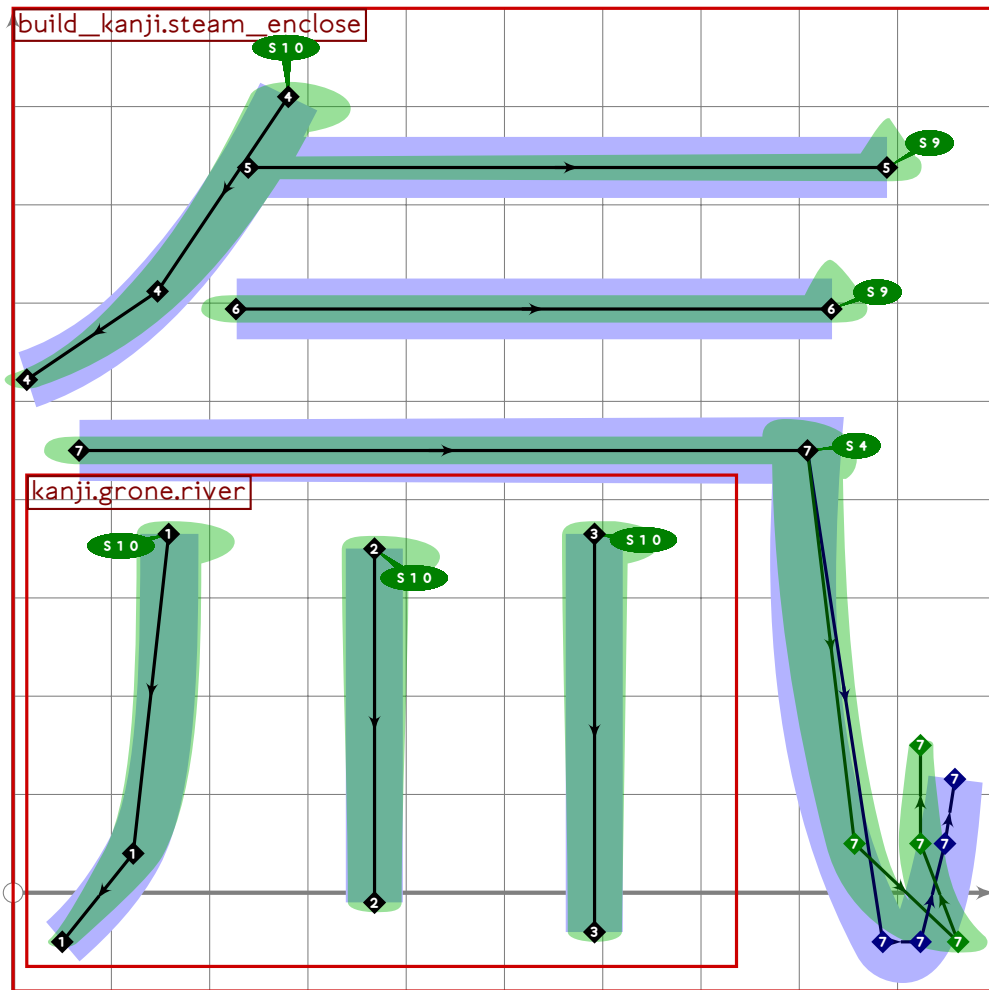
[see page 1273]



```

117 % extra
118 begint Suglyph("uni6C19";25);
119 build_kanji.steam_enclose((700,400))(tsu_curve.kanji.grone.mountain);
120 tsu_render;
121 endtsuglyph;
122

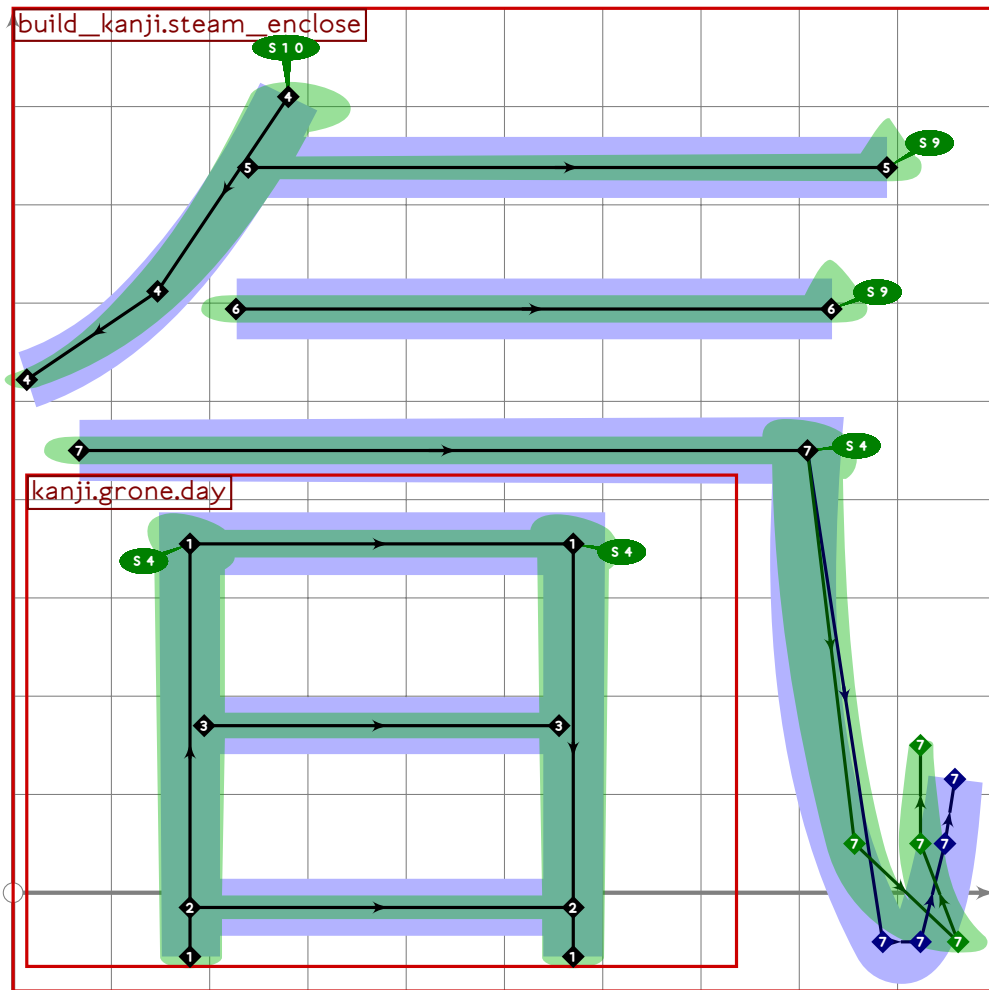
```



```

123 % extra
124 begint Suglyph("uni6C1A";26);
125 build_kanji.steam_enclose((700,400))(tsu_curve.kanji.grone.river);
126 tsu_render;
127 endtsuglyph;
128

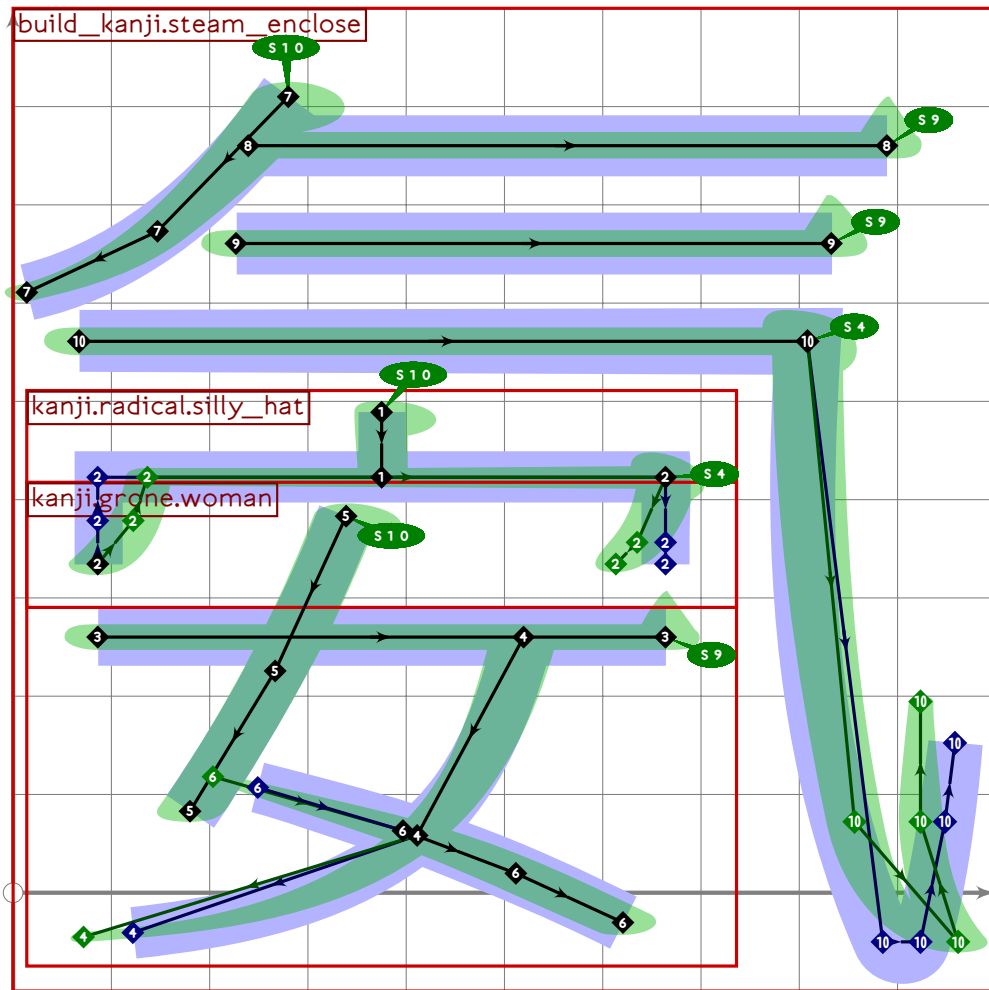
```

```

129 % extra
130 begint Suglyph("uni6C1C";28);
131 build_kanji.steam_enclose((700,400))(tsu_curve.kanji.grone.day);
132 tsu_render;
133 endtsuglyph;
134

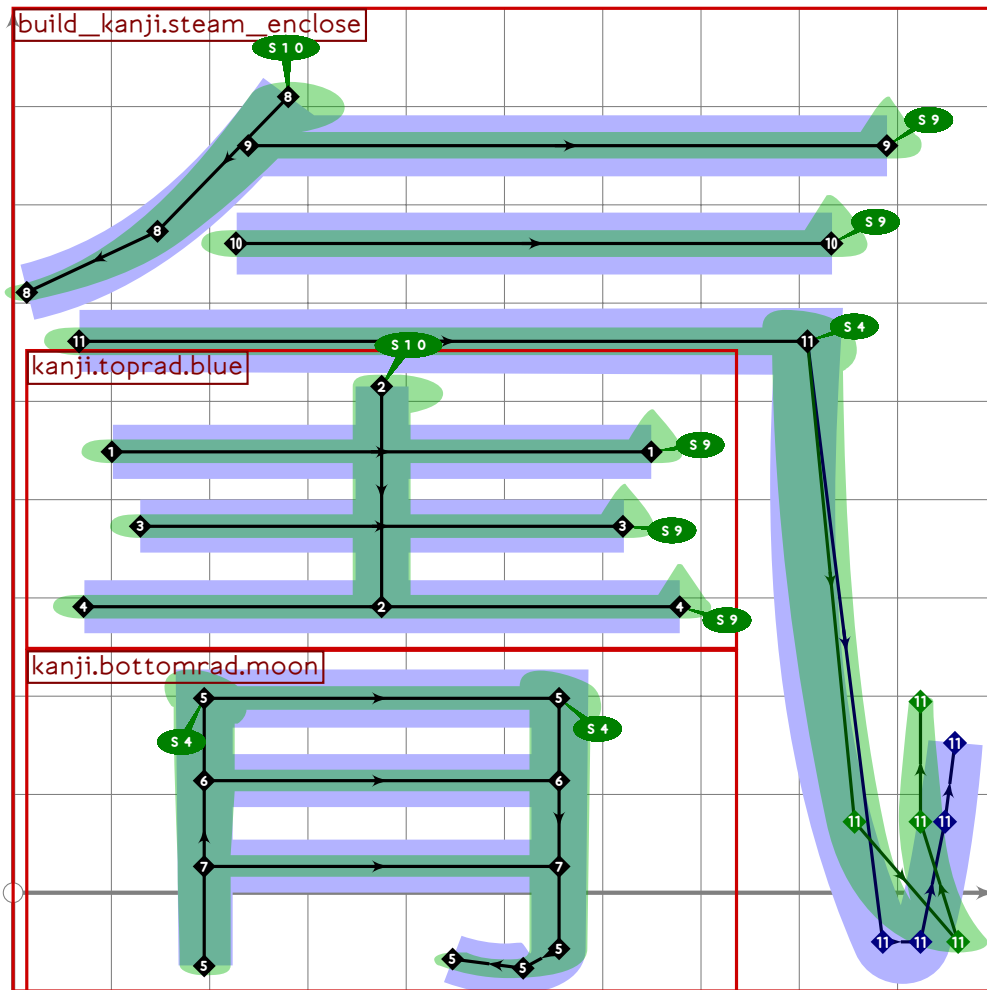
```



```

135 % extra
136 begint Suglyph("uni6C28";40);
137 build_kanji.steam_enclose((700,500))(tsu_curve.kanji.grthree.easy);
138 tsu_render;
139 endtsuglyph;
140

```



```

141 % extra
142 begintsuglyph("uni6C30";48);
143 build_kanji.steam_enclose((700,500))
144 (build_kanji.sscale(yscaled 1.13)(tsu_curve.kanji.grone.blue));
145 tsu_render;
146 endtsuglyph;
147
148 % sui/mizu "water"
149 begintsuglyph("uni6C34";52);
150 tsu_curve.kanji.grone.water;
151 tsu_render;
152 endtsuglyph;
153
154 _____
155
156 endfont;
157
158 _____

```

[see page 361]

tsuku-70.mp

```
1 %  
2 % Unicode page 70 (Kanji) for Tsukurimashou  
3 % Copyright (C) 2011 Matthew Skala  
4 %
```

```
5-29 [Standard copyright notice]
```

```
30
```

```
31
```

```
32
```

```
33 beginfont
```

```
34
```

```
35 % AUTODEPS
```

```
36 input bottomrad.mp;
```

```
37 input buildkanji.mp;
```

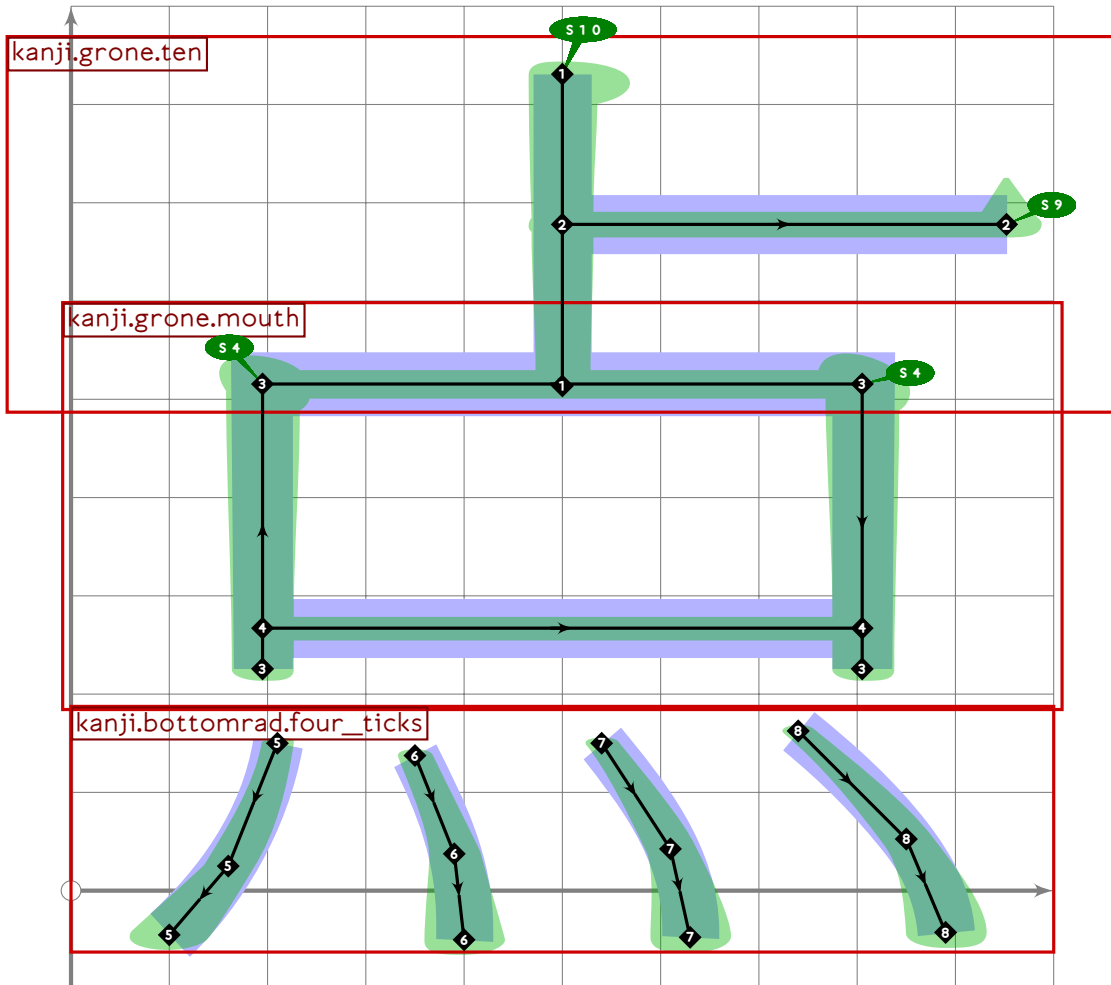
```
38 input gradeeight.mp;
```

```
39 input gradeone.mp;
```

```
40
```

```
41
```

```
42
```



```
43 % "point" is a reserved word
```

```

44 vardef tsu_curve.kanji.grtwo.dot =
45   add_proof_box("kanji.grtwo.dot");
46   build_kanji.tb(190,30)
47     (build_kanji.sscale(xscaled 1.13)
48       (tsu_curve.kanji.greight.divination))
49     (tsu_curve.kanji.bottomrad.four_ticks);
50 enddef;
51
52 

---


53
54 % hi/ka "fire"
55 begintsuglyph("uni706B";107); [see page 330]
56   tsu_curve.kanji.grone.fire;
57   tsu_render;
58 endtsuglyph;
59
60 % ten/tsu "point"
61 begintsuglyph("uni70B9";185); [see page 1281]
62   tsu_curve.kanji.grtwo.dot;
63   tsu_render;
64 endtsuglyph;
65
66 

---


67
68 endfont;
69
70 

---



```

tsuku-72.mp

```
1 %  
2 % Unicode page 72 (Kanji) for Tsukurimashou  
3 % Copyright (C) 2011 Matthew Skala  
4 %
```

```
5-29 [Standard copyright notice]
```

```
30
```

```
31
```

```
32
```

```
33 beginfont
```

```
34
```

```
35 % AUTODEPS
```

```
36 input buildkanji.mp;
```

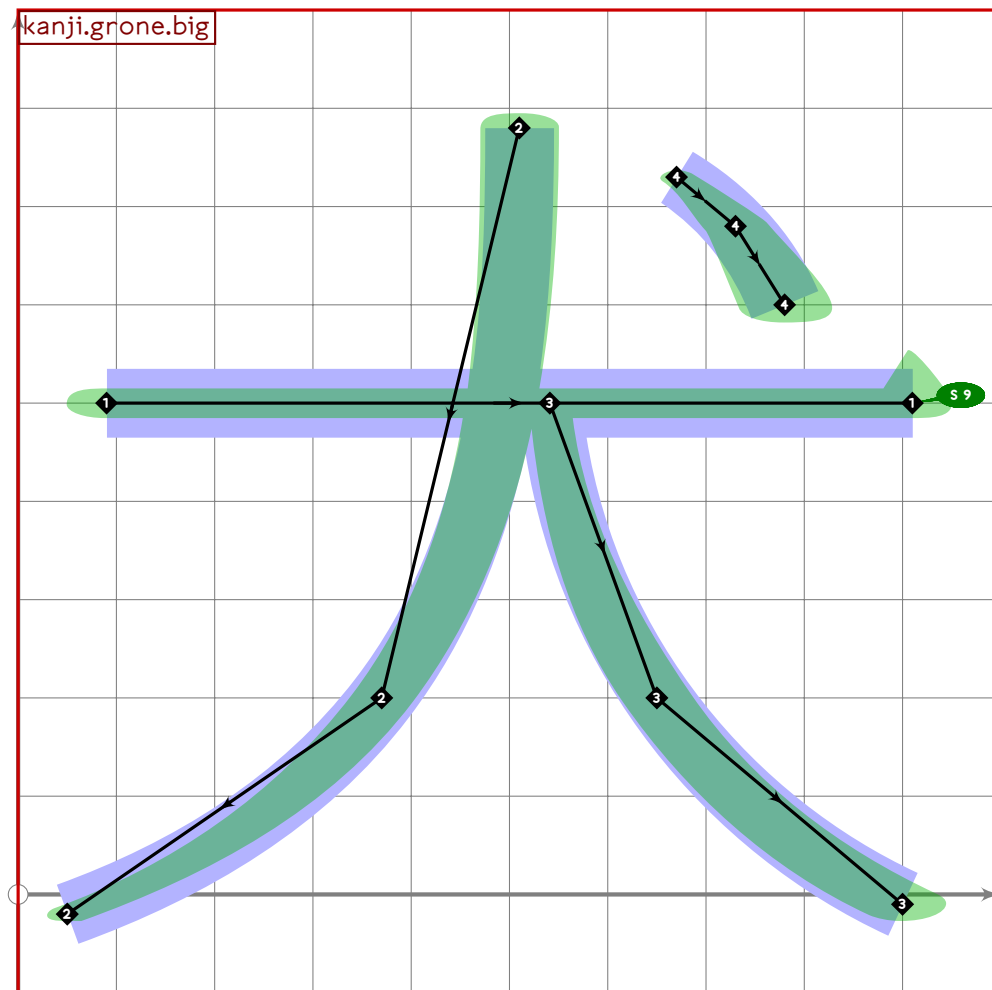
```
37 input gradeone.mp;
```

```
38 input gradetwo.mp;
```

```
39 input radical.mp;
```

```
40
```

```
41
```



```
42
```

```
43 vardef tsu_curve.kanji.grone.dog =
```

```

44 add_proof_box("kanji.grone.dog");
45 tsu_curve.kanji.grone.big;
46 bp[sp]:=(670,730)..(730,680)..(780,600);
47 bq[sp]:=(1,1)-(1.4,1.4)-(1.8,1.8);
48 sp:=sp*1;
49 enddef;
50
51 

---


52
53 % chichi "father"
54 begintsuglyph("uni7236",54); [see page 368]
55 tsu_curve.kanji.grtwo.father;
56 tsu_render;
57 endtsuglyph;
58
59 % inu "dog"
60 begintsuglyph("uni72AC",172); [see page 1282]
61 tsu_curve.kanji.grone.dog;
62 tsu_render;
63 endtsuglyph;
64
65 

---


66
67 endfont;
68
69 

---



```

tsuku-73.mp

```
1 %
2 % Unicode page 73 (Kanji) for Tsukurimashou
3 % Copyright (C) 2011 Matthew Skala
4 %
5-29 [Standard copyright notice]
30
31 

---


32
33 beginfont
34
35 % AUTODEPS
36 input gradeone.mp;
37
38 

---


39
40 % gyoku/tama "ball" or "precious"
41 begintsuglyph("uni7389",137); [see page 315]
42   tsu_curve.kanji.grone.ball;
43   tsu_render;
44 endtsuglyph;
45
46 % ou "king"
47 begintsuglyph("uni738B",139); [see page 335]
48   tsu_curve.kanji.grone.king;
49   tsu_render;
50 endtsuglyph;
51
52 

---


53
54 endfont;
55
56 

---


```


tsuku-75.mp

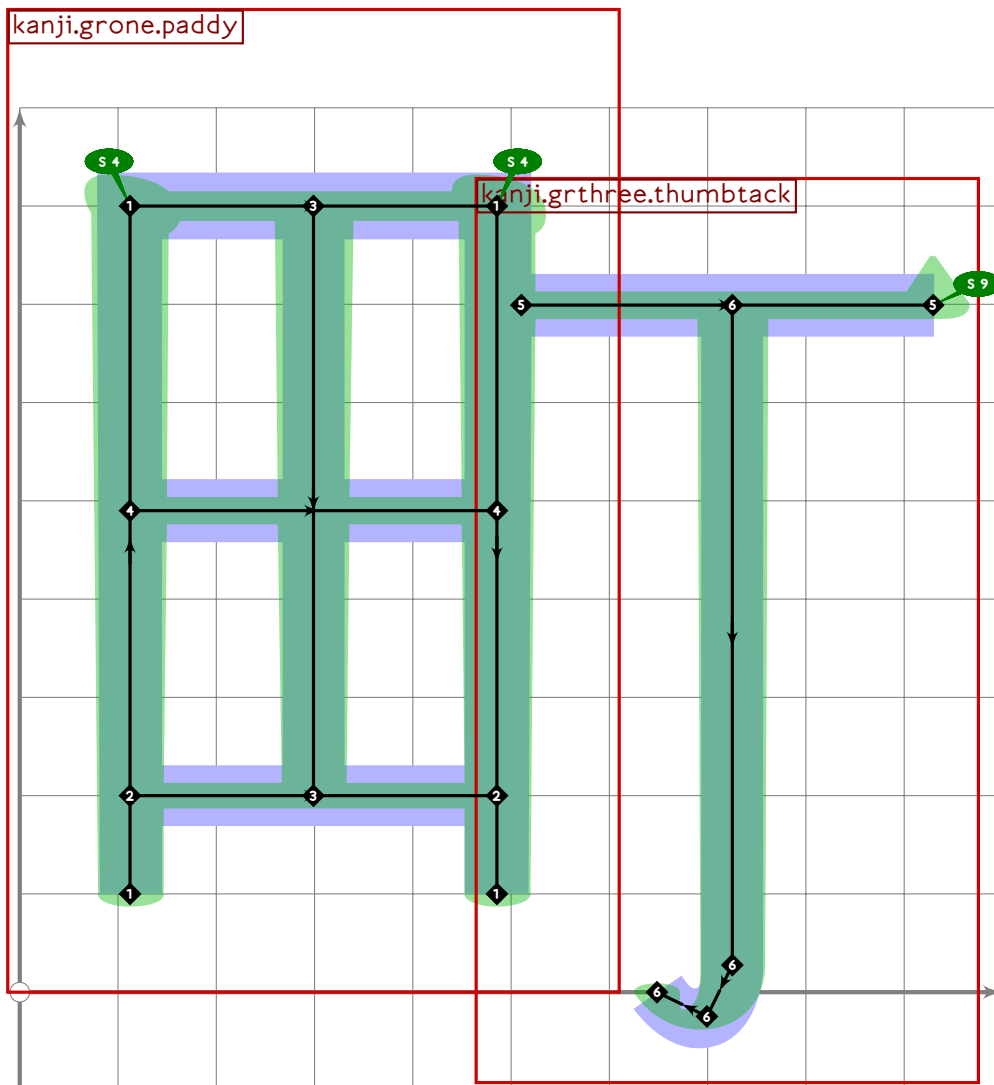
```
1 %  
2 % Unicode page 75 (Kanji) for Tsukurimashou  
3 % Copyright (C) 2011 Matthew Skala  
4 %  
5-29 [Standard copyright notice]  
30  
31 

---

  
32  
33 beginfont  
34  
35 % AUTODEPS  
36 input buildkanji.mp;  
37 input gradeone.mp;  
38 input gradethree.mp;  
39 input gradetwo.mp;  
40  
41 

---


```



```

42
43 vardef tsu_curve.kanji.grone.town =
44   add_proof_box("kanji.grone.town");
45   build_kanji.level(build_kanji.lr(550,120)
46     (tsu_xform(identity shifted (-50,100))(tsu_curve.kanji.grone.paddy))
47     (tsu_xform(identity yscaled 0.92)
48       (tsu_curve.kanji.grthree.thumbtack)));
49 enddef;
50
51 

---


52
53 % sei/ki "life"
54 begintsuglyph("uni751F",31); [see page 336]
55   tsu_curve.kanji.grone.life;
56   tsu_render;
57 endtsuglyph;
58
59 %you/mochi "job"
60 begintsuglyph("uni7528",40); [see page 370]
61   tsu_curve.kanji.grtwo.job;
62   tsu_render;
63 endtsuglyph;
64
65 % ta "rice paddy"
66 begintsuglyph("uni7530",48); [see page 346]
67   tsu_curve.kanji.grone.paddy;
68   tsu_render;
69 endtsuglyph;
70
71 % otoko "man"
72 begintsuglyph("uni7537",55); [see page 338]
73   tsu_curve.kanji.grone.man;
74   tsu_render;
75 endtsuglyph;
76
77 % chuu/machi "town"
78 begintsuglyph("uni753A",58); [see page 1286]
79   tsu_curve.kanji.grone.town;
80   tsu_render;
81 endtsuglyph;
82
83 

---


84
85 endfont;
86
87 

---



```

tsuku-76.mp

```
1 %
2 % Unicode page 76 (Kanji) for Tsukurimashou
3 % Copyright (C) 2011 Matthew Skala
4 %
5-29 [Standard copyright notice]
30
31 

---


32
33 beginfont
34
35 % AUTODEPS
36 input buildkanji.mp;
37 input gradeone.mp;
38
39 

---


40
41 % shiro "white"
42 begintsuglyph("uni767D";125); [see page 363]
43 tsu_curve.kanji.grone.white;
44 tsu_render;
45 endtsuglyph;
46
47 % hyako/momo "hundred"
48 begintsuglyph("uni767E";126); [see page 334]
49 tsu_curve.kanji.grone.hundred;
50 tsu_render;
51 endtsuglyph;
52
53 % moku/me "eye"
54 begintsuglyph("uni76EE";238); [see page 329]
55 tsu_curve.kanji.grone.eye;
56 tsu_render;
57 endtsuglyph;
58
59 

---


60
61 endfont;
62
63 

---


```

tsuku77.mp

```
1 %  
2 % Unicode page 77 (Kanji) for Tsukurimashou  
3 % Copyright (C) 2011 Matthew Skala  
4 %
```

```
5-29 [Standard copyright notice]
```

```
30
```

```
31
```

```
32
```

```
33 beginfont
```

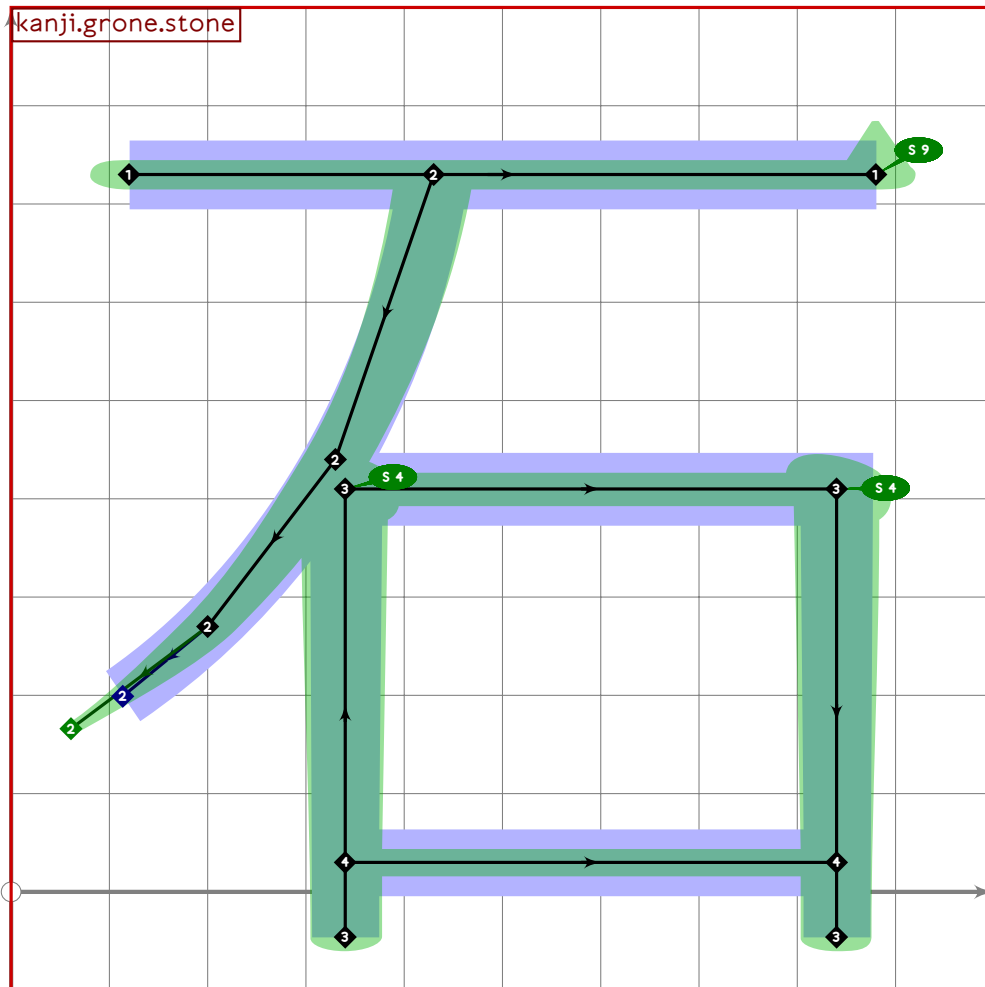
```
34
```

```
35 % AUTODEPS
```

```
36 input buildkanji.mp;
```

```
37
```

```
38
```



```
39
```

```
40 vardef tsu_curve.kanji.grone.stone =  
41   add_proof_box("kanji.grone.stone");  
42   bp[sp]:=(120,730)..(880,730);  
43   bq[sp]:=(1.6,1.6)-(1.6,1.6);
```

```
44 bo_serif[sp][1]:=9;
45 bp[sp*1]:=(430,730)..(330,440)..(200,270)..(50,160);
46 bq[sp*1]:=(1.6,1.6)-(1.5,1.5)-(1.3,1.3)-(0.8,0.8);
47 sp:=sp*2;
48 build_kanji.box((340,410),(840,30));
49 endif;
50
51 

---


52
53 % seki/ishi "stone"
54 begintsuglyph("uni77F3";243); [see page 1288]
55 tsu_curve.kanji.grone.stone;
56 tsu_render;
57 endtsuglyph;
58
59 

---


60
61 endfont;
62
63 

---


```

tsuku7a.mp

```
1 %  
2 % Unicode page 7a (Kanji) for Tsukurimashou  
3 % Copyright (C) 2011 Matthew Skala  
4 %
```

```
5-29 [Standard copyright notice]
```

```
30
```

```
31
```

```
32
```

```
33 beginfont
```

```
34
```

```
35 % AUTODEPS
```

```
36 input buildkanji.mp;
```

```
37 input gradeone.mp;
```

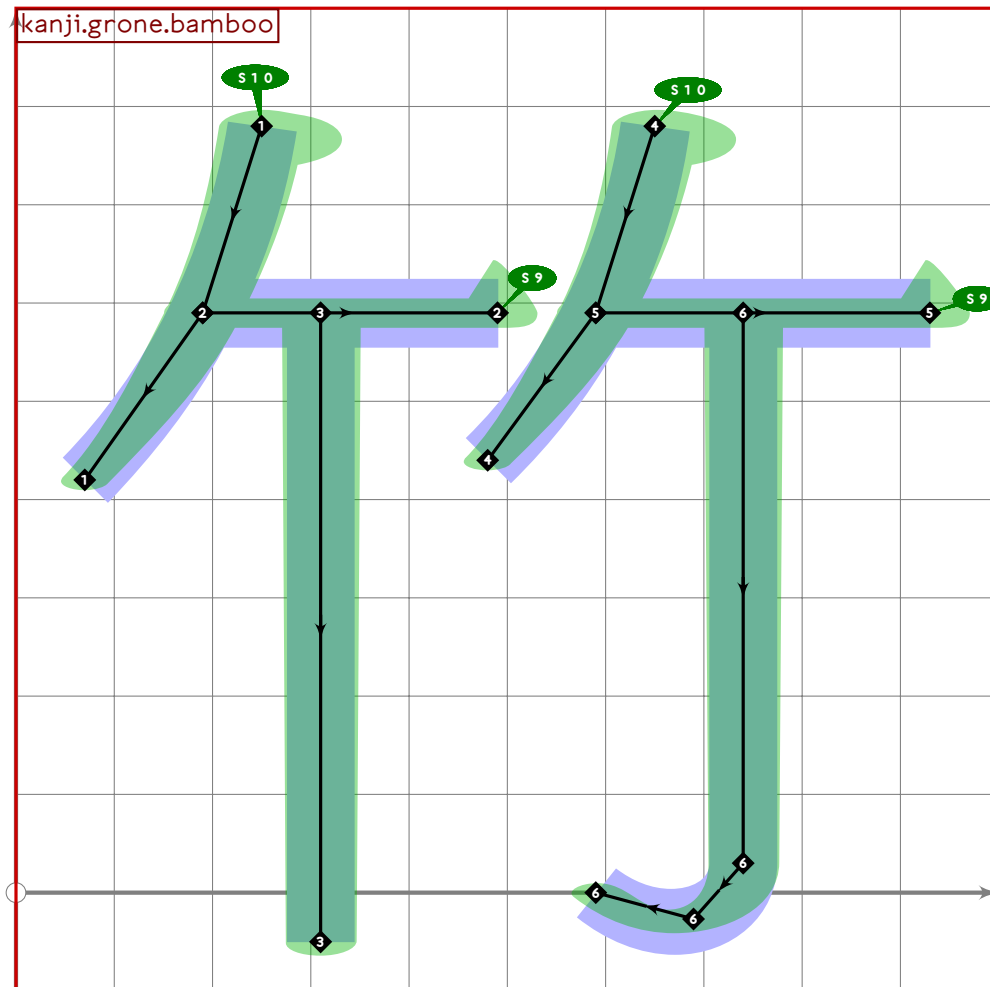
```
38 input gradetwo.mp;
```

```
39 input radical.mp;
```

```
40 input toprad.mp;
```

```
41
```

```
42
```

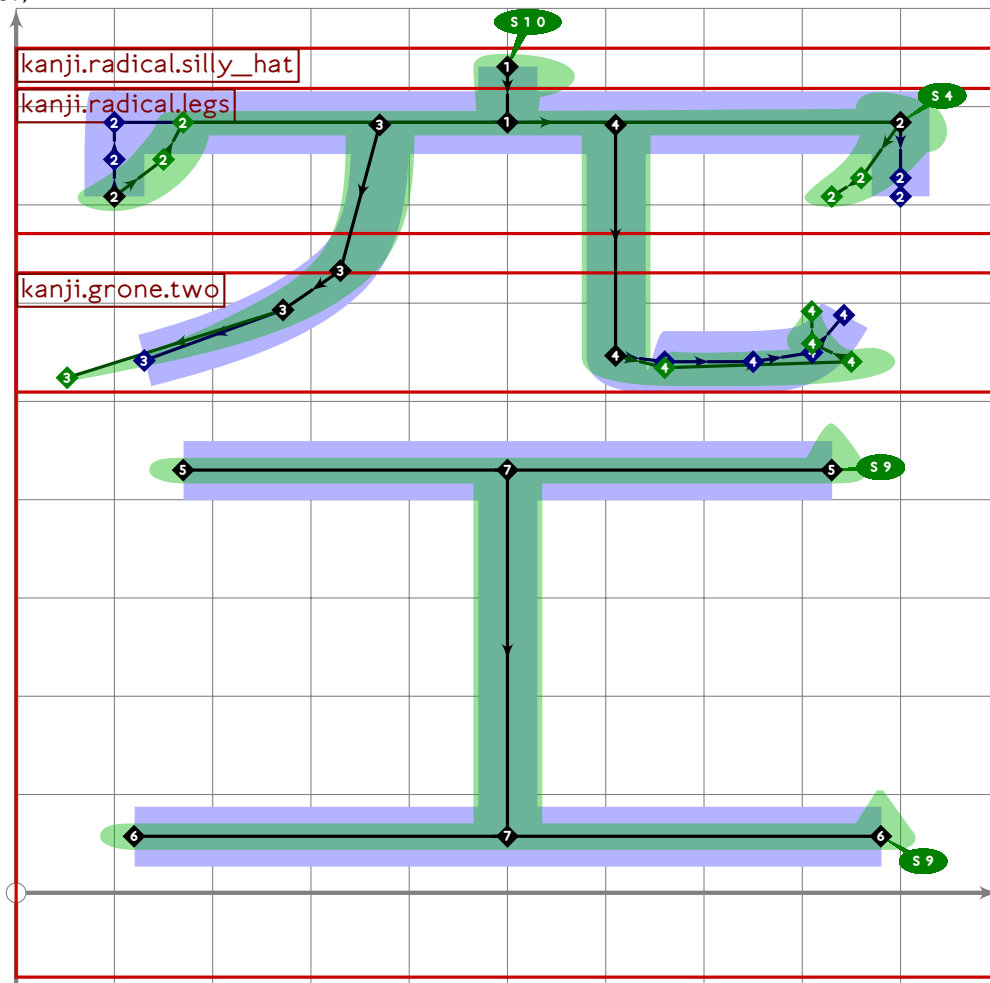


```
43
```

```

44 vardef tsu_curve.kanji.grone.bamboo =
45   add_proof_box("kanji.grone.bamboo");
46   bp[sp]:=(250,780)..(190,590)..(70,420);
47   bq[sp]:=(1.7,1.7)-(1.6,1.6)-(1.2,1.2);
48   bo_serif[sp][0]:=10;
49   bp[sp*1]:=(190,590)-(490,590);
50   bq[sp*1]:=(1.6,1.6)-(1.6,1.6);
51   bo_serif[sp*1][1]:=9;
52   bp[sp*2]:=(310,590)-(310,-50);
53   bq[sp*2]:=(1.6,1.6)-(1.5,1.5);
54   bp[sp*3]:=(650,780)..(590,590)..(480,440);
55   bq[sp*3]:=(1.7,1.7)-(1.6,1.6)-(1.2,1.2);
56   bo_serif[sp*3][0]:=10;
57   bp[sp*4]:=(590,590)-(930,590);
58   bq[sp*4]:=(1.6,1.6)-(1.6,1.6);
59   bo_serif[sp*4][1]:=9;
60   bp[sp*5]:=(740,590);
61   bq[sp*5]:=(1.6,1.6);
62   build_kanji.add_jtail(sp*5);
63   sp:=sp*6;
64 enddef;

```



```

65
66 vardef tsu_curve.kanji.grone.sky =
67   add_proof_box("kanji.grone.sky");
68   build_kanji.level(build_kanji.tb(560,70)
69     (tsu_curve.kanji.toprad.cave)
70     (tsu_curve.kanji.grtwo.craft));
71 enddef;
72
73 

---


74
75 % kara/sora "sky"
76 begintsuglyph("uni7A7A";122); [see page 1292]
77   tsu_curve.kanji.grone.sky;
78   tsu_render;
79 endsuglyph;
80
81 % ta "stand up"
82 begintsuglyph("uni7ACB";203); [see page 354]
83   tsu_curve.kanji.grone.stand_up;
84   tsu_render;
85 endsuglyph;
86
87 % chiku/take "bamboo"
88 begintsuglyph("uni7AF9";249); [see page 1291]
89   tsu_curve.kanji.grone.bamboo;
90   tsu_render;
91 endsuglyph;
92
93 

---


94
95 endfont;
96
97 

---



```


tsuku7c.mp

```
1 %
2 % Unicode page 7c (Kanji) for Tsukurimashou
3 % Copyright (C) 2011 Matthew Skala
4 %
5-29 [Standard copyright notice]
30
31 

---


32
33 beginfont
34
35 % AUTODEPS
36 input gradeone.mp;
37
38 

---


39
40 % shi/ito "thread"
41 begintsuglyph("uni7CF8";248); [see page 356]
42   tsu_curve.kanji.grone.thread;
43   tsu_render;
44 endtsuglyph;
45
46 

---


47
48 endfont;
49
50 

---


```

tsuku-7d.mp

```
1 %  
2 % Unicode page 7d (Kanji) for Tsukurimashou  
3 % Copyright (C) 2011 Matthew Skala  
4 %
```

```
5-29 [Standard copyright notice]
```

```
30
```

```
31
```

```
32
```

```
33 beginfont
```

```
34
```

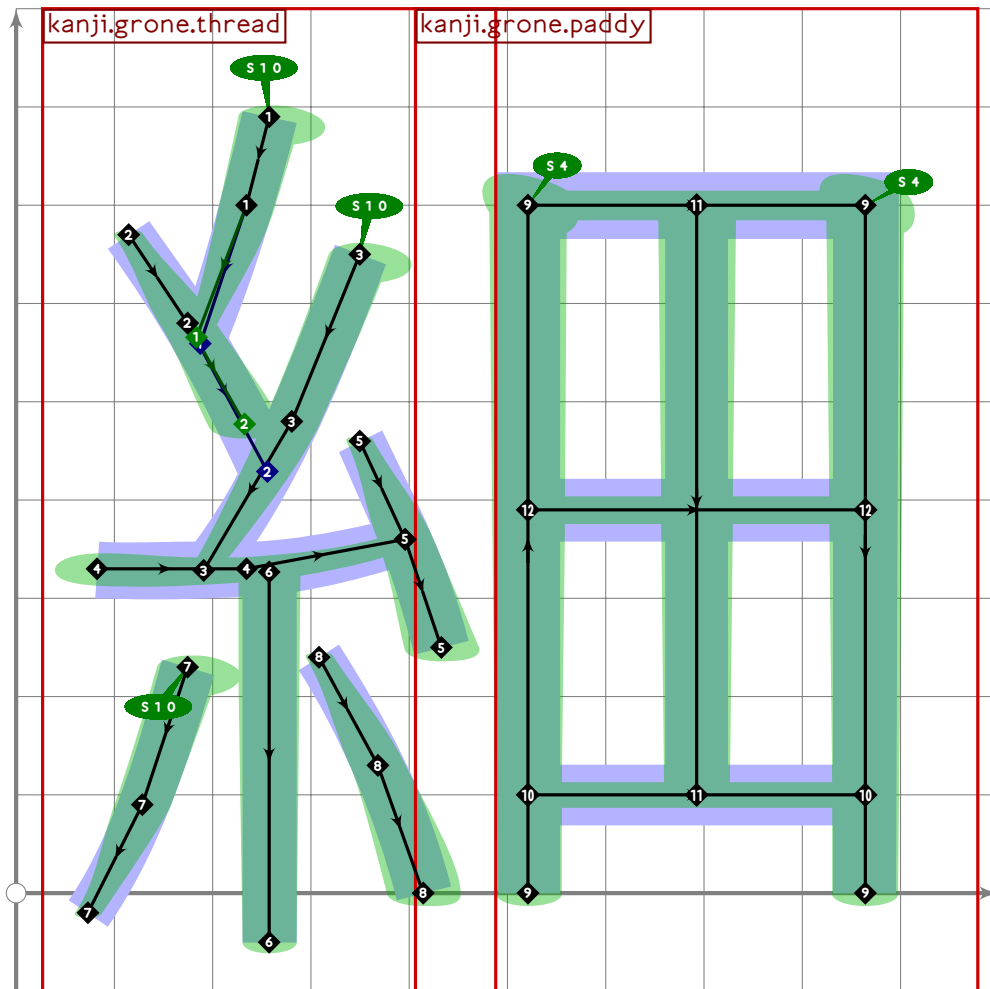
```
35 % AUTODEPS
```

```
36 input buildkanji.mp;
```

```
37 input gradeone.mp;
```

```
38
```

```
39
```



```
40
```

```
41 vardef tsu_curve.kanji.grtwo.dainty =
```

```
42   add_proof_box("kanji.grtwo.dainty");
```

```
43   build_kanji.lr(450,30)
```

```
44 (tsu_curve.kanji.grone.thread)
45 (tsu_curve.kanji.grone.paddy);
46 enddef;
47
48 

---


49
50 % dai/hoso "dainty"
51 begintsuglyph("uni7D30",48); [see page 1294]
52 tsu_curve.kanji.grtwo.dainty;
53 tsu_render;
54 endtsuglyph;
55
56 

---


57
58 endfont;
59
60 

---


```

tsuku-80.mp

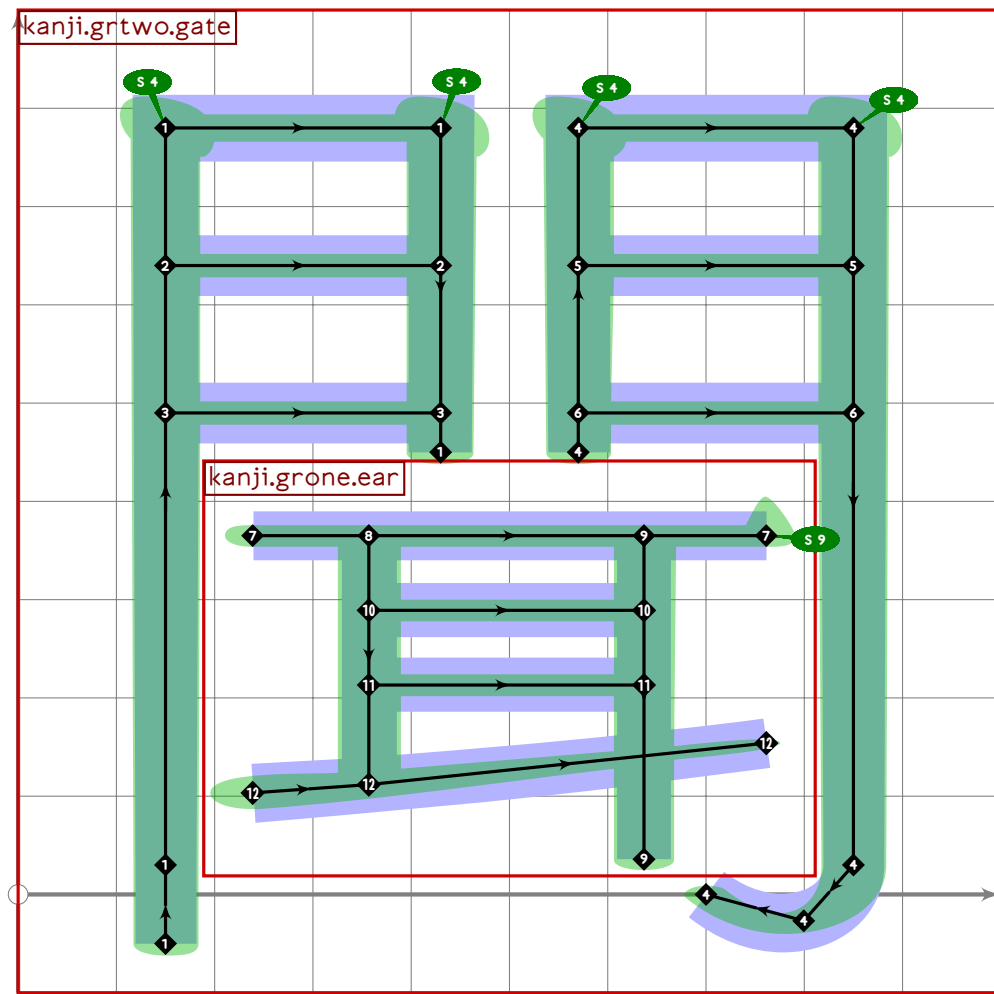
```
1 %  
2 % Unicode page 80 (Kanji) for Tsukurimashou  
3 % Copyright (C) 2011 Matthew Skala  
4 %  
5-29 [Standard copyright notice]  
30  
31 

---

  
32  
33 beginfont  
34  
35 % AUTODEPS  
36 input buildkanji.mp;  
37 input gradeone.mp;  
38 input gradetwo.mp;  
39 input radical.mp;  
40  
41 

---


```



```
42  
43 vardef tsu_curve.kanji.grtwo.hear =
```

```
44 add_proof_box("kanji.grtwo.hear");
45 build_kanji_gate_enclose(tsu_curve.kanji.grone.ear);
46 enddef;
47
48 

---


49
50 % ken/mi "ear"
51 begintsuglyph("uni8033";51); [see page 324]
52 tsu_curve.kanji.grone.ear;
53 tsu_render;
54 endtsuglyph;
55
56 % bun/ki "hear"
57 begintsuglyph("uni805E";94); [see page 1296]
58 tsu_curve.kanji.grtwo.hear;
59 tsu_render;
60 endtsuglyph;
61
62 % brush radical
63 begintsuglyph("uni807F";127); [see page 303]
64 tsu_curve.kanji.radical.brush;
65 tsu_render;
66 endtsuglyph;
67
68 

---


69
70 endfont;
71
72 

---


```

tsuku-81.mp

```
1 %  
2 % Unicode page 81 (Kanji) for Tsukurimashou  
3 % Copyright (C) 2011 Matthew Skala  
4 %
```

```
5-29 [Standard copyright notice]
```

```
30
```

```
31
```

```
32
```

```
33 beginfont
```

```
34
```

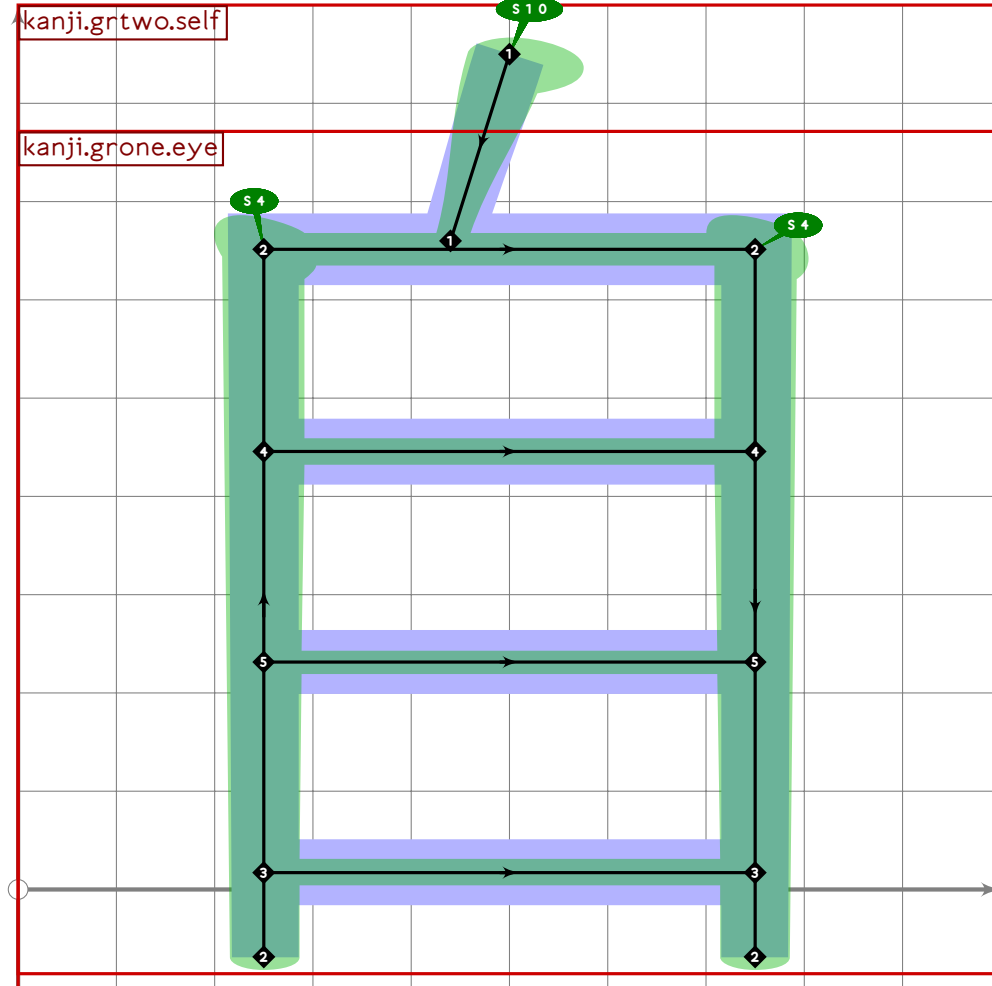
```
35 % AUTODEPS
```

```
36 input buildkanji.mp;
```

```
37 input gradeone.mp;
```

```
38
```

```
39
```



```
40
```

```
41 vardef tsu_curve.kanji.grtwo.self =  
42   add_proof_box("kanji.grtwo.self");  
43   bp[sp]:=(500,850)-(440,660);
```

```
44 bq[sp]:=(1.7,1.7)-(1,1);
45 bo_serif[sp][0]:=10;
46 sp:=sp*1;
47 tsu_xform(identity yscaled (660/770))(tsu_curve.kanji.grone.ey);
48 enddef;
49
50 

---


51
52 % ji as in jibun "self"
53 begintsuglyph("uni81EA",234); [see page 1298]
54 tsu_curve.kanji.grtwo.self;
55 tsu_render;
56 endtsuglyph;
57
58 

---


59
60 endfont;
61
62 

---


```

tsuku-82.mp

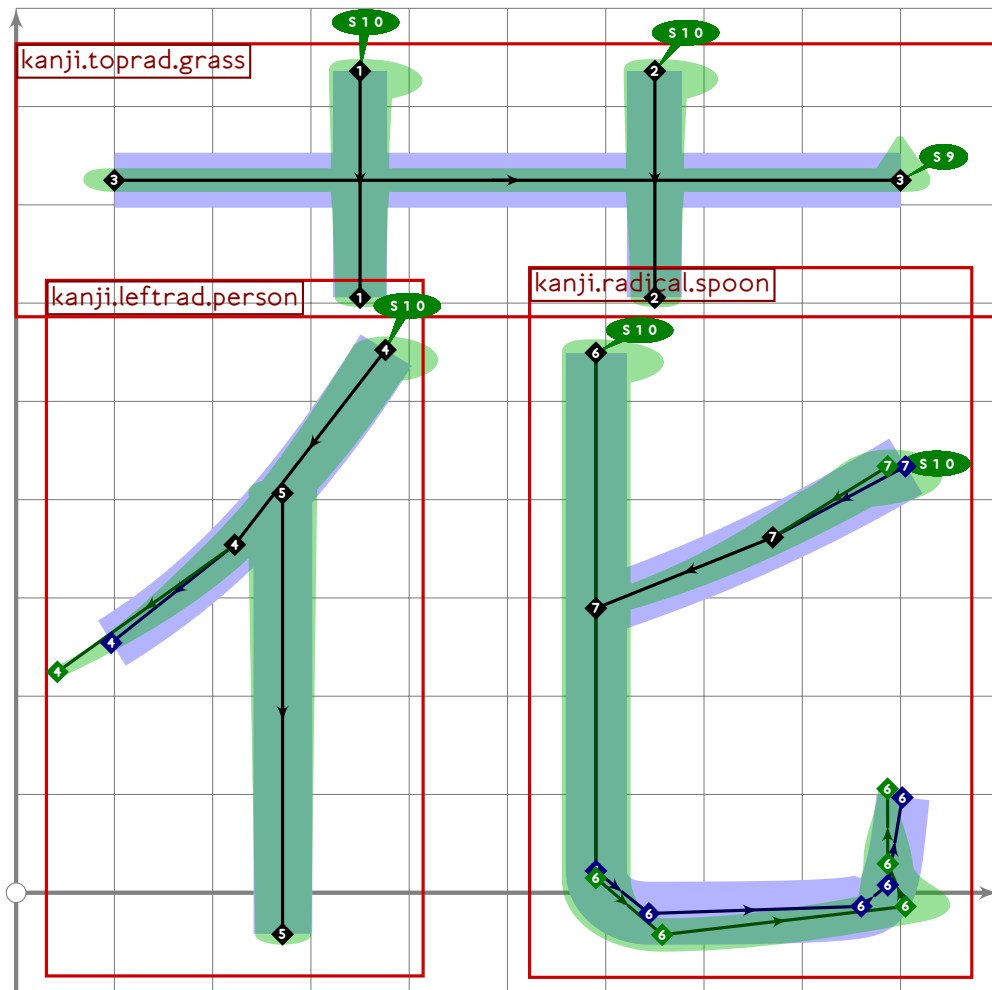
```
1 %
2 % Unicode page 82 (Kanji) for Tsukurimashou
3 % Copyright (C) 2011 Matthew Skala
4 %
5-29 [Standard copyright notice]
30
31 

---


32
33 beginfont
34
35 % AUTODEPS
36 input buildkanji.mp;
37 input gradeeight.mp;
38 input gradefour.mp;
39 input gradeone.mp;
40 input gradethree.mp;
41 input gradetwo.mp;
42 input leftrad.mp;
43 input radical.mp;
44 input rare.mp;
45 input toprad.mp;
46
47 

---

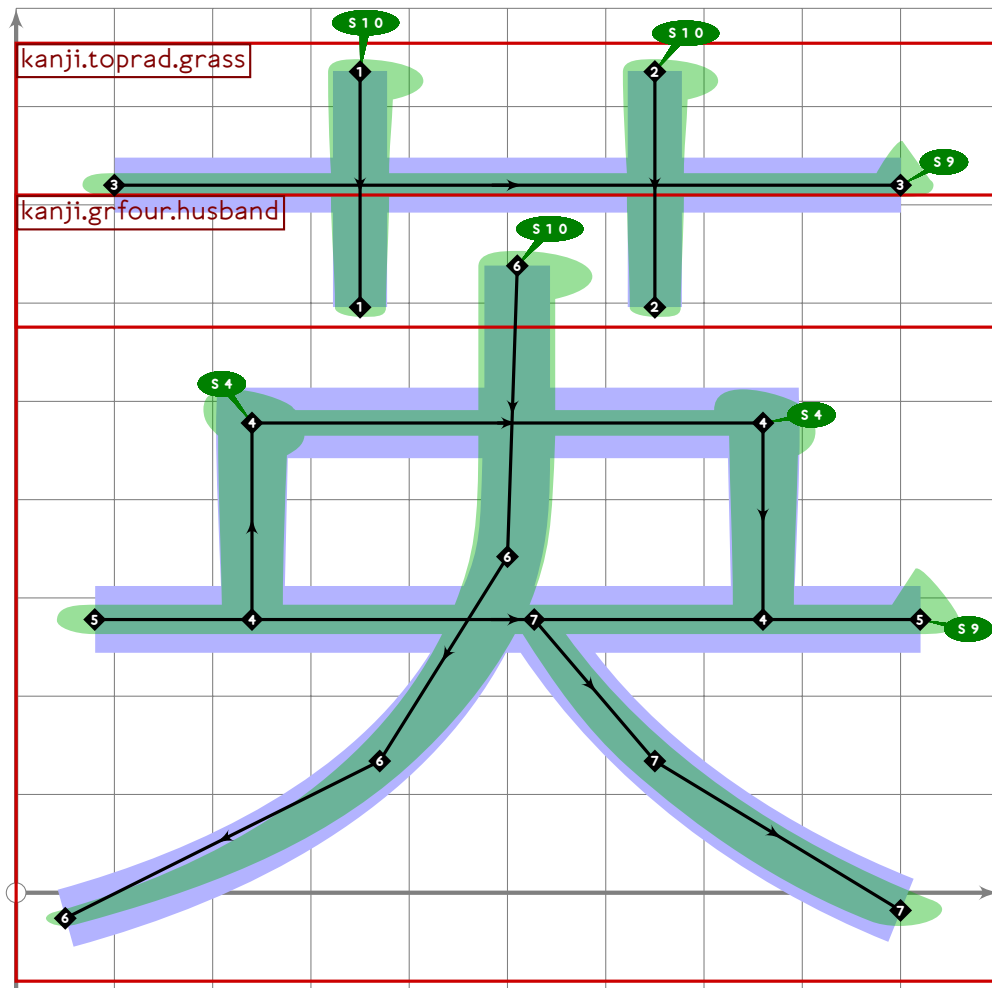

```

```

48
49 vardef tsu_curve.kanji.grone.flower =
50   add_proof_box("kanji.grone.flower");
51   build_kanji.tb(600,0)
52     (tsu_curve.kanji.toprad.grass)
53     (tsu_curve.kanji.grthree.change);
54 enddef;
55
56

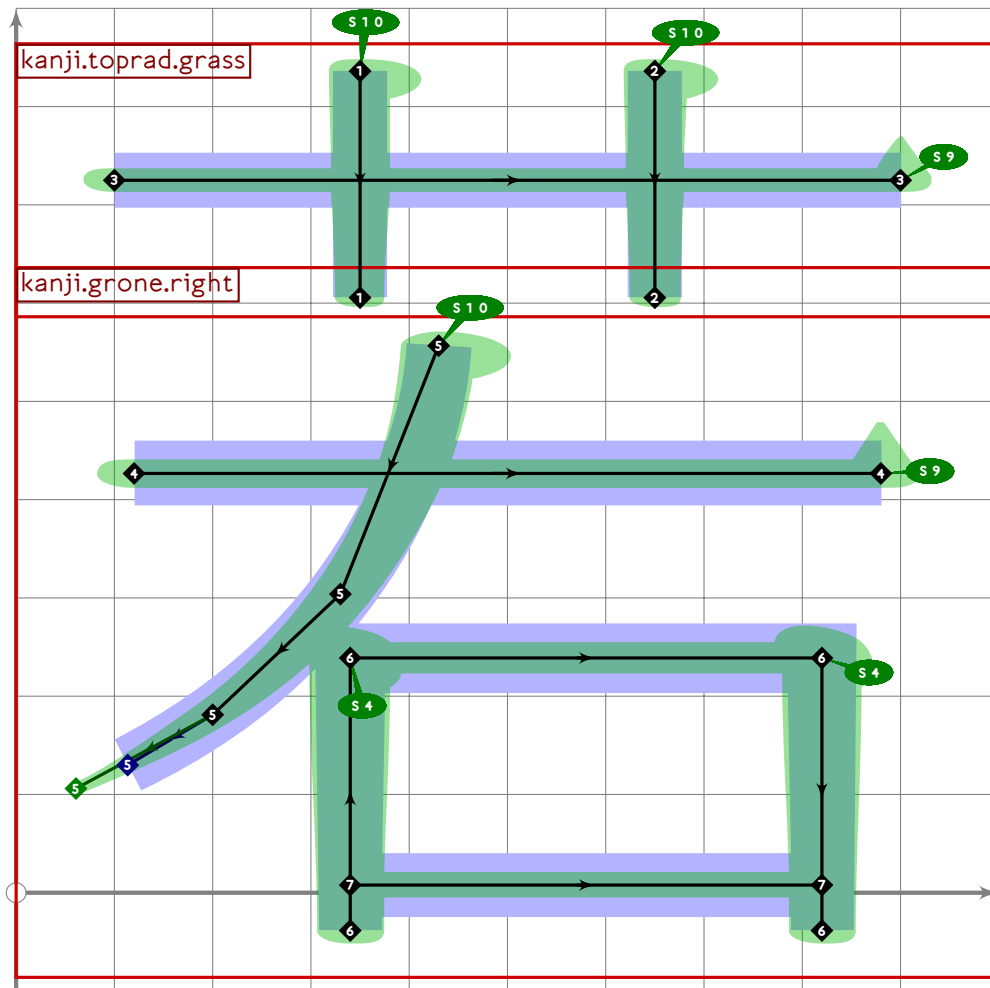
```



```

57
58 vardef tsu_curve.kanji.grfour.english =
59   add_proof_box("kanji.grfour.english");
60   build_kanji.tb(630,80)
61     (tsu_curve.kanji.toprad.grass)
62     (tsu_curve.kanji.grthree.centre);
63 enddef;
64
65

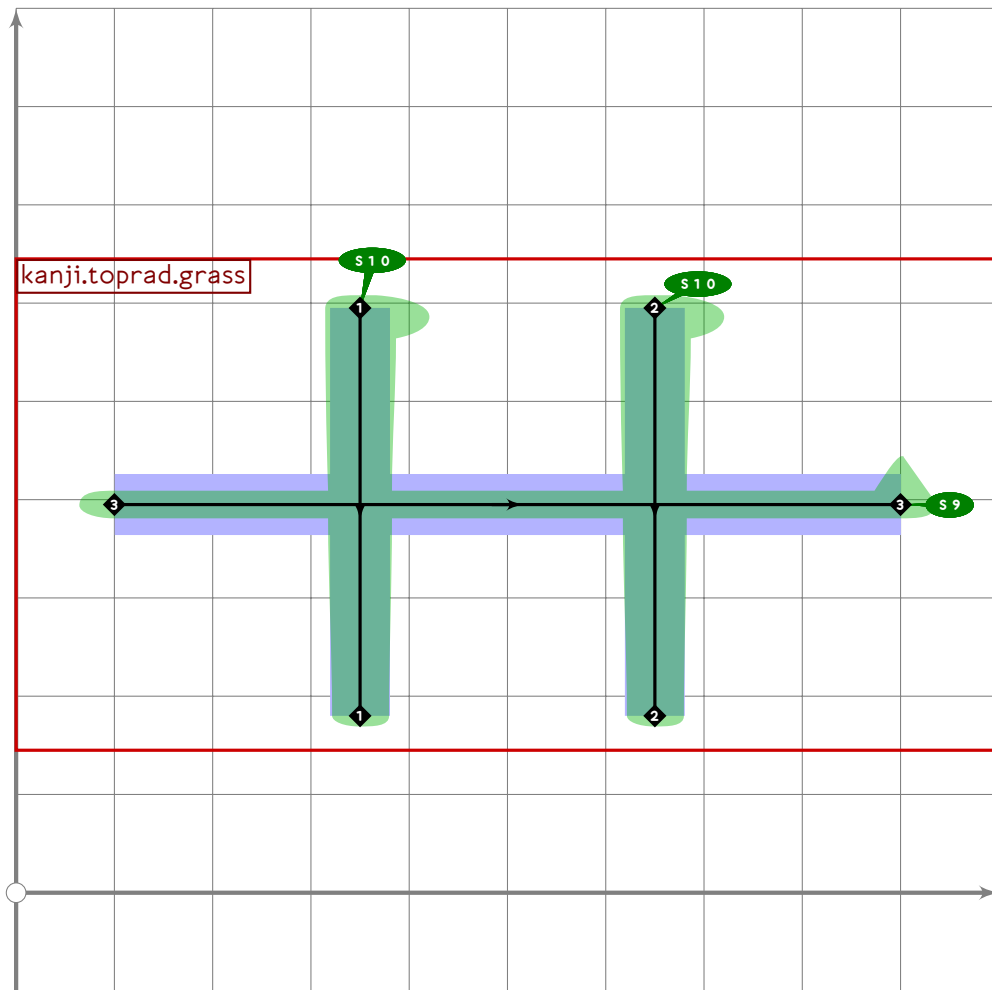
```



```

66
67 vardef tsu_curve.kanji.grsix.young_master =
68   add_proof_box("kanji.grsix.young_master");
69   build_kanji.tb(600,0)
70     (tsu_curve.kanji.toprad.grass)
71     (tsu_curve.kanji.grone.right);
72 enddef;
73
74
75

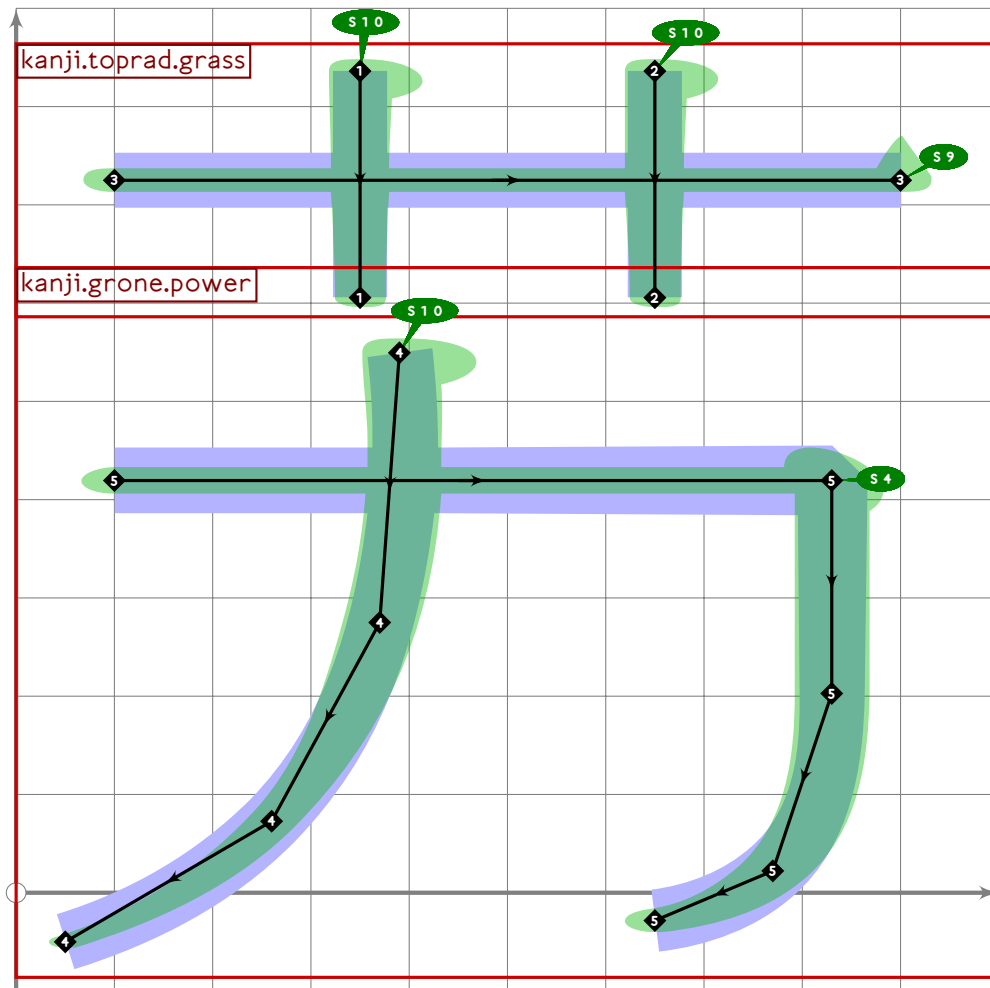
```



```

76 % extra "naked grass radical"
77 begint Suglyph("uni8279";121);
78 build_kanji.sscale(yscaled 0.5)(tsu_curve.kanji.toprad.grass);
79 tsu_render;
80 endtsuglyph;
81

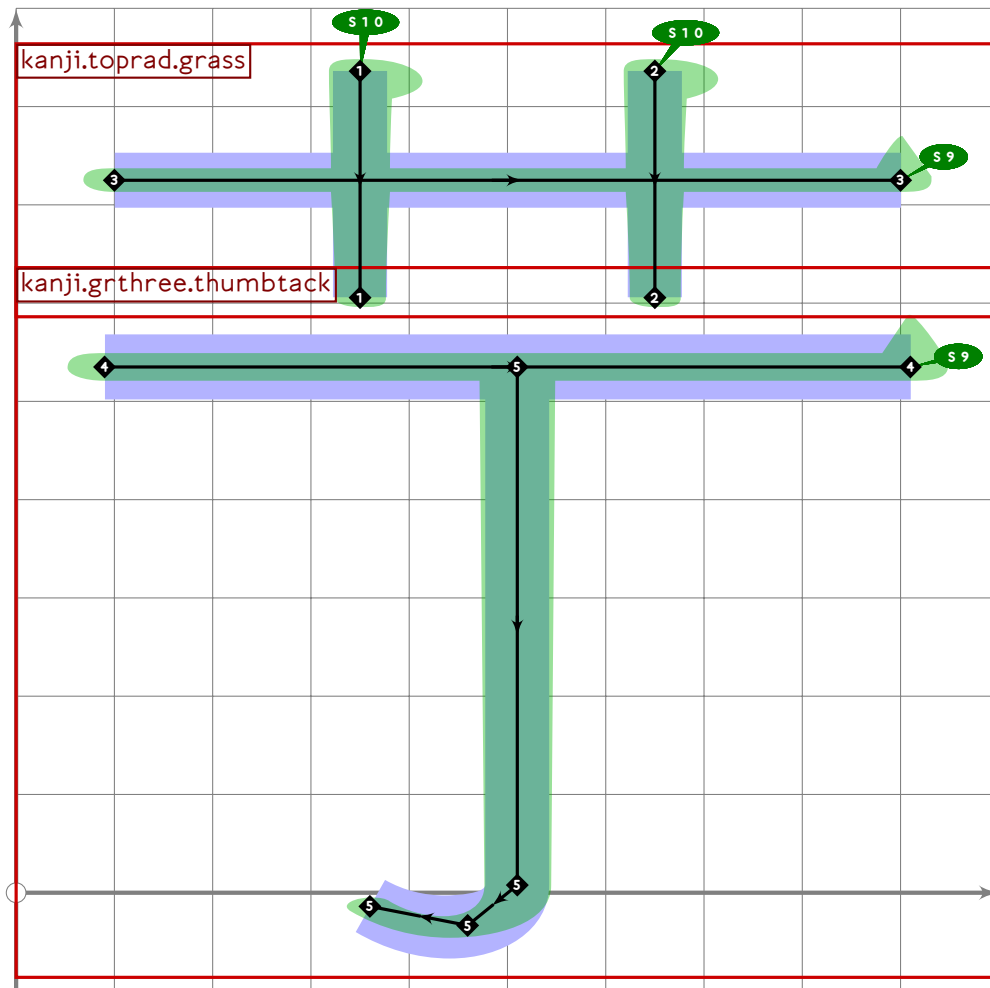
```



```

82 % extra
83 begint Suglyph("uni827B",123);
84 build_kanji.tb(600,0)
85   (tsu_curve.kanji.toprad.grass)
86   (tsu_curve.kanji.grone.power);
87   tsu_render;
88   endtsuglyph;
89

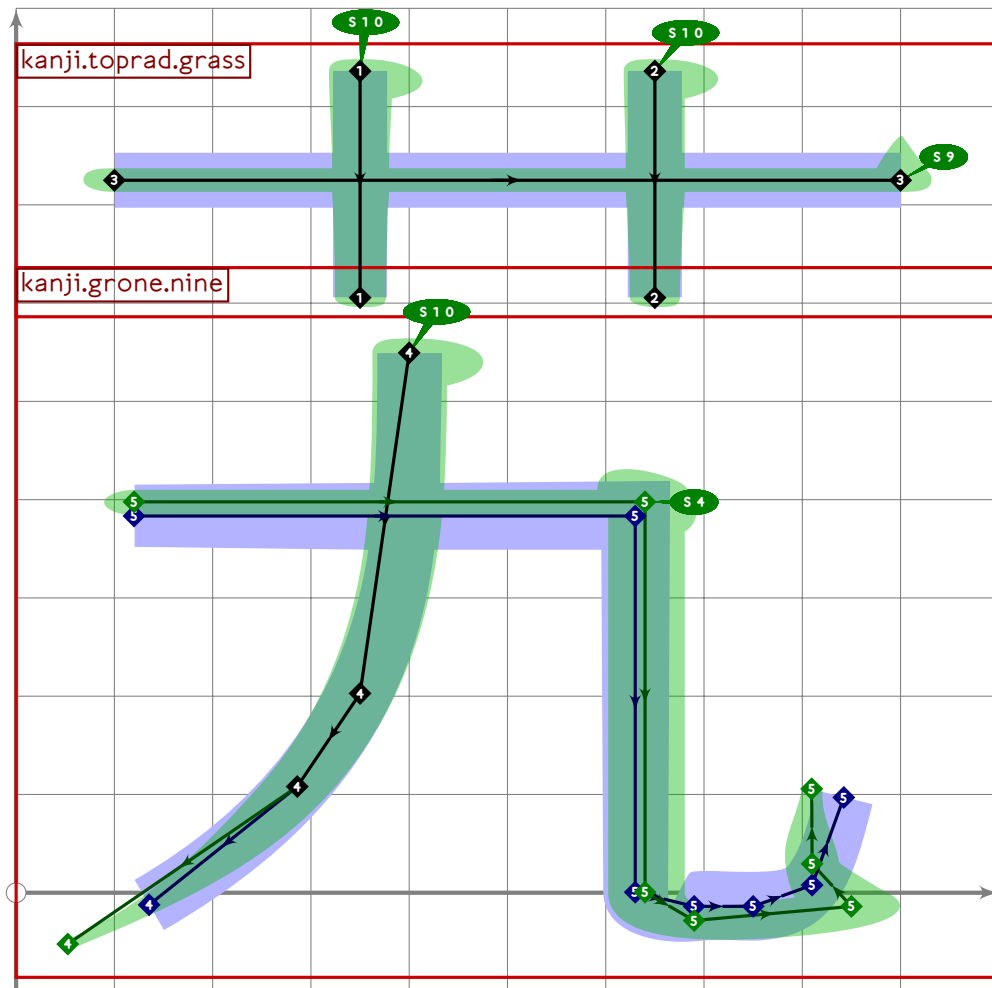
```



```

90 % extra
91 begint Suglyph("uni827C",124);
92 build_kanji.tb(600,0)
93   (tsu_curve.kanji.toprad.grass)
94   (tsu_curve.kanji.grthree.thumbtack);
95   tsu_render;
96 endsuglyph;
97

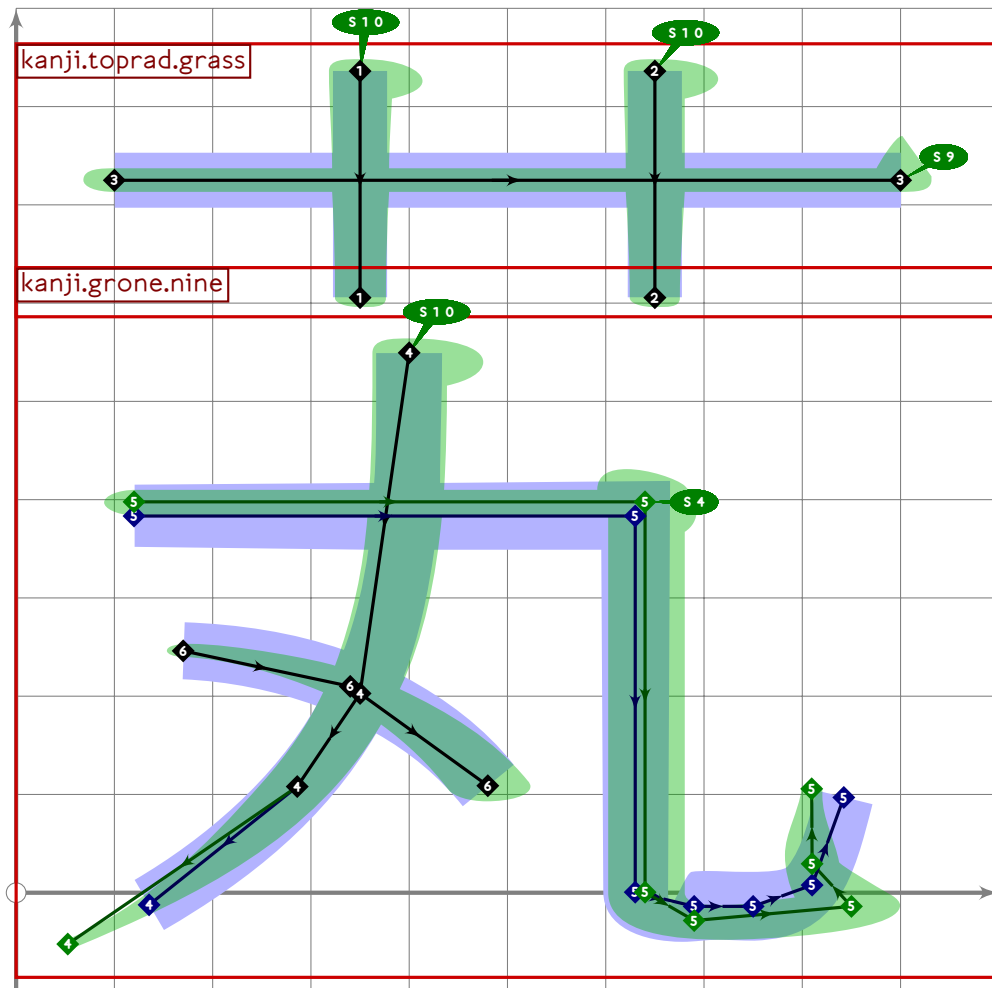
```



```

98 % extra
99 begint Suglyph("uni827D",125);
100 build_kanji.tb(600,0)
101   (tsu_curve.kanji.toprad.grass)
102   (tsu_curve.kanji.grone.nine);
103   tsu_render;
104   endtsuglyph;
105

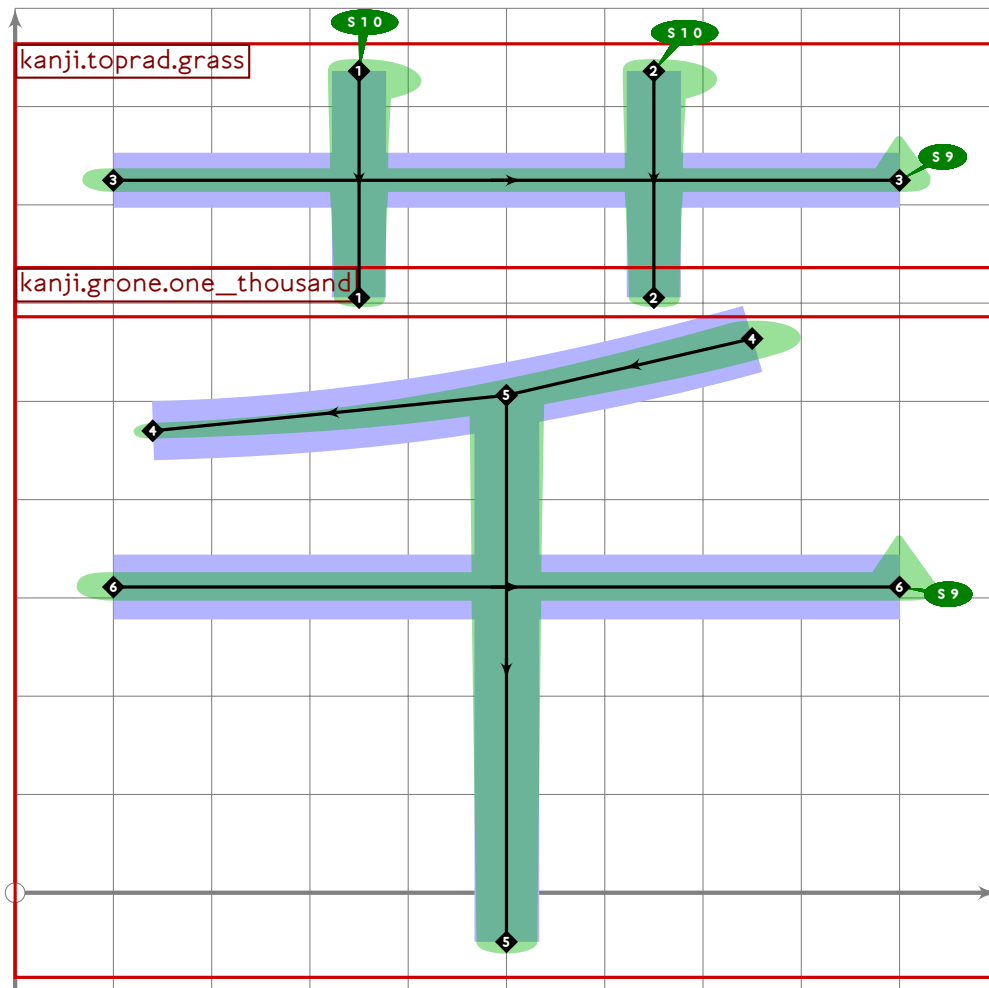
```



```

106 % extra
107 begint Suglyph("uni8284",132);
108   build_kanji.tb(600,0)
109     (tsu_curve.kanji.toprad.grass)
110     (tsu_curve.kanji.grtwo.circle);
111   tsu_render;
112   endtsuglyph;
113

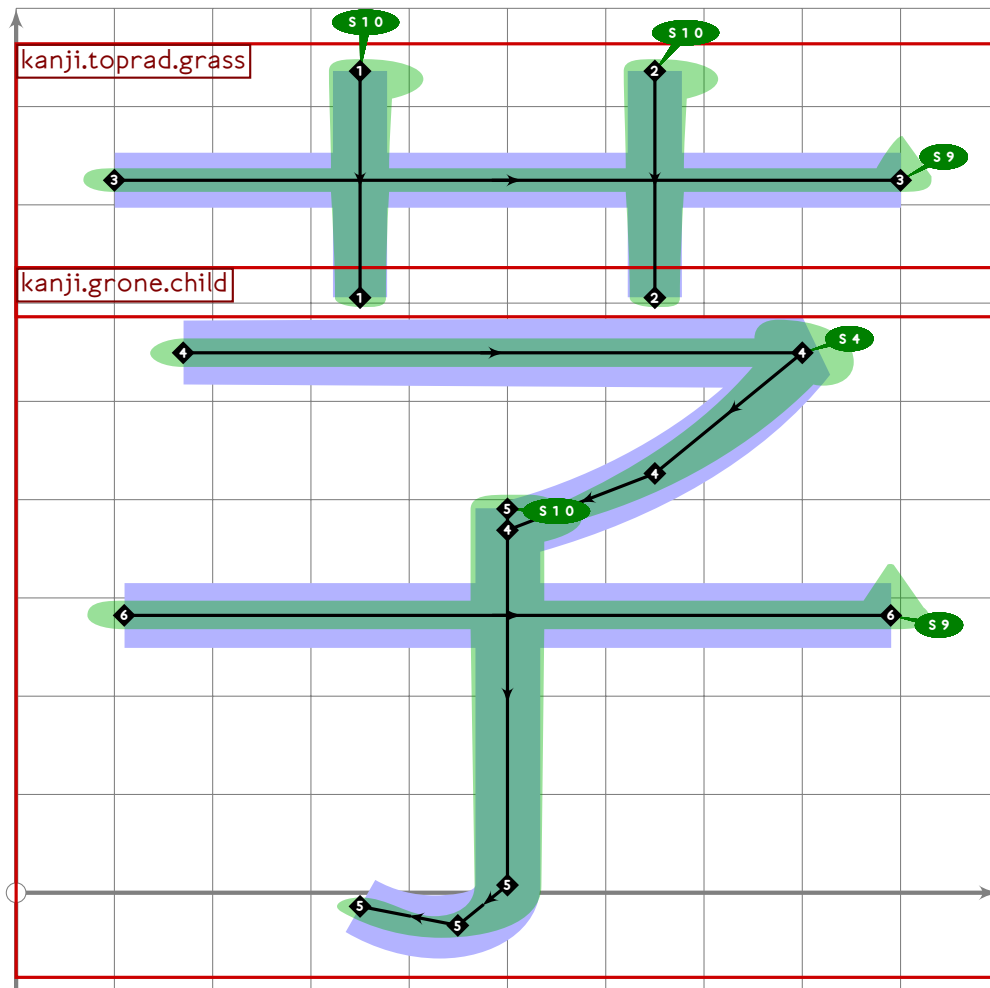
```

```

114 % extra
115 begintsuglyph("uni828A",138);
116 build_kanji.tb(600,0)
117   (tsu_curve.kanji.toprad.grass)
118   (tsu_curve.kanji.grone.one_thousand);
119   tsu_render;
120 endsuglyph;
121

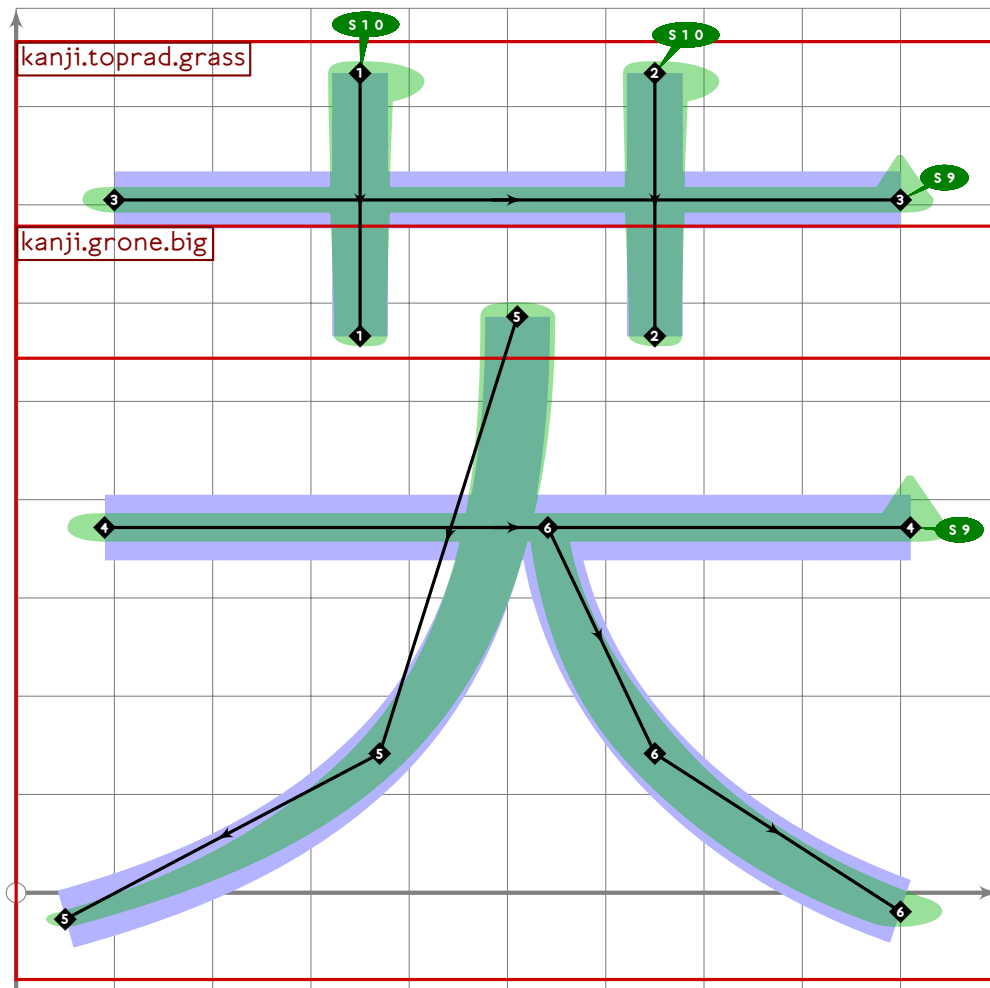
```



```

122 % extra
123 begintsuglyph("uni8293";147);
124 build_kanji.tb(600,0)
125   (tsu_curve.kanji.toprad.grass)
126   (tsu_curve.kanji.grone.child);
127 tsu_render;
128 endsuglyph;
129

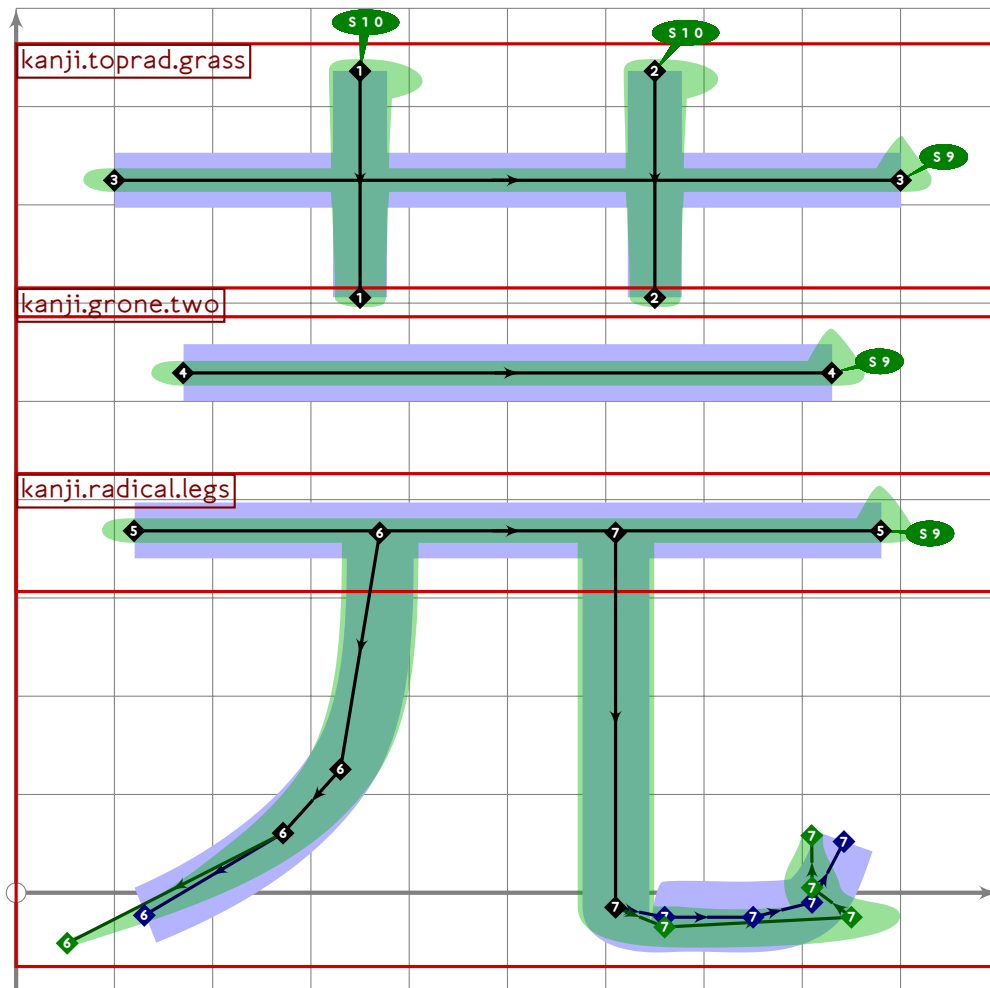
```



```

130 % extra
131 begint Suglyph("uni8296",150);
132 build_kanji.tb(600,80)
133   (tsu_curve.kanji.toprad.grass)
134   (tsu_curve.kanji.grone.big);
135   tsu_render;
136 endtsuglyph;
137

```

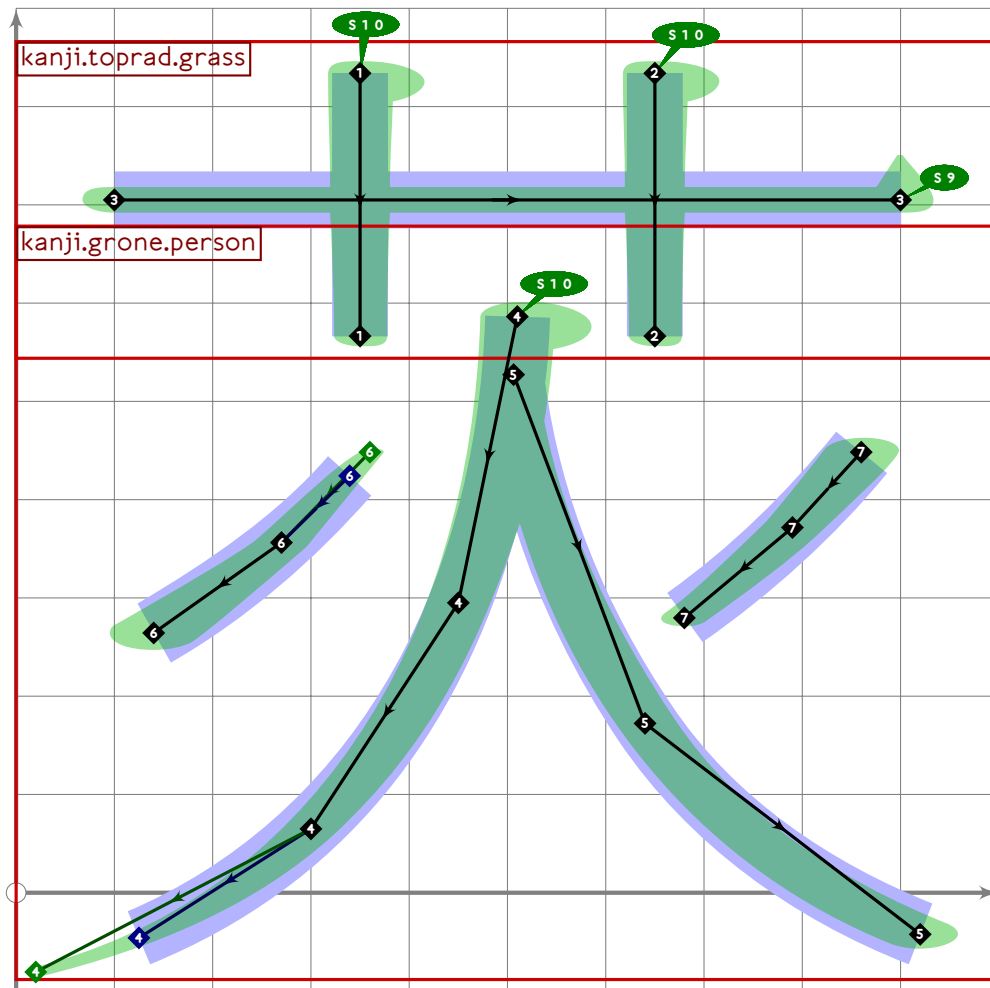


```

138 % extra
139 begintsuglyph("uni82AB";171);
140 build_kanji.tb(600,0)
141 (tsu_curve.kanji.toprad.grass)
142 (tsu_curve.kanji.grtwo.origin);
143 tsu_render;
144 endtsuglyph;
145
146 % hana "flower"
147 begintsuglyph("uni82B1";177);
148 tsu_curve.kanji.grone.flower;
149 tsu_render;
150 endtsuglyph;
151

```

[see page 1301]

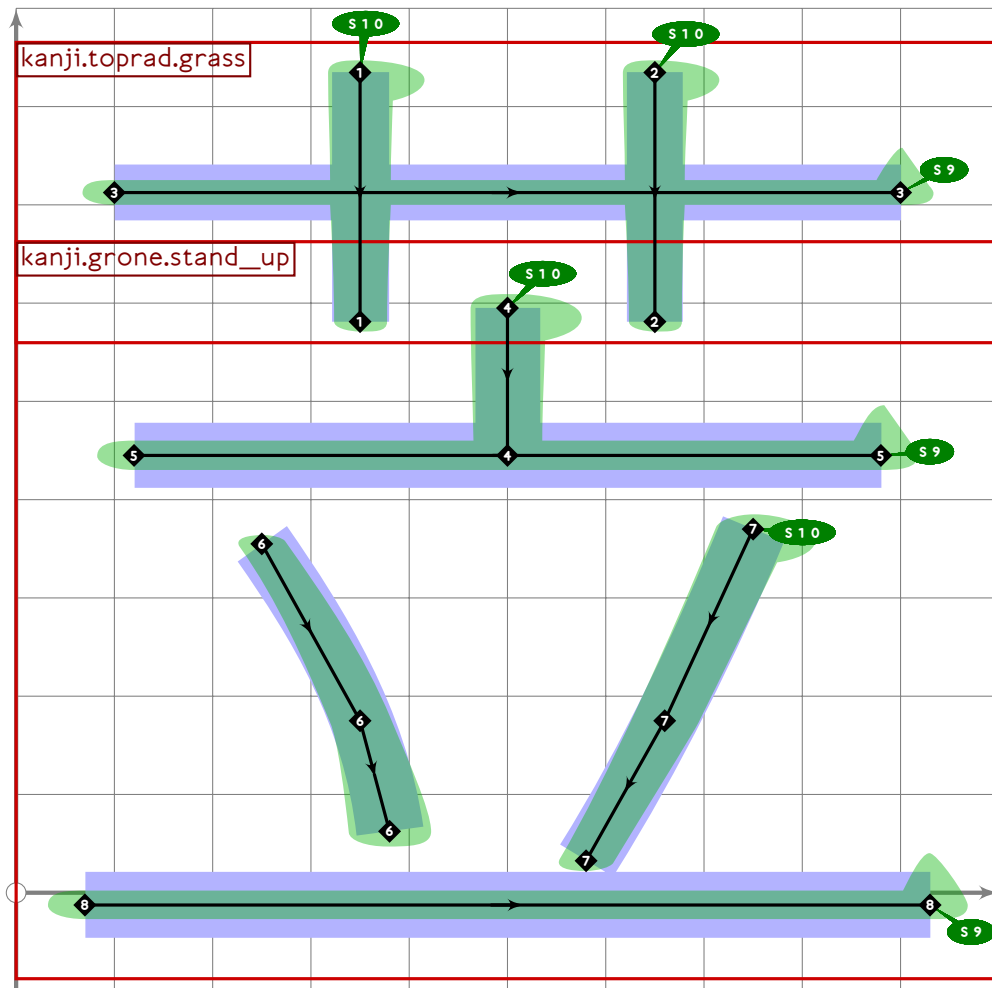


```

152 % extra
153 begint Suglyph("uni82C2",194);
154 build_kanji.tb(600,80)
155   (tsu_curve.kanji.toprad.grass)
156   (tsu_curve.kanji.grone.fire);
157   tsu_render;
158 endtsuglyph;
159
160 % byo/nae "rice seedling"
161 begint Suglyph("uni82D7",215);
162   tsu_curve.kanji.greight.seedling;
163   tsu_render;
164 endtsuglyph;
165

```

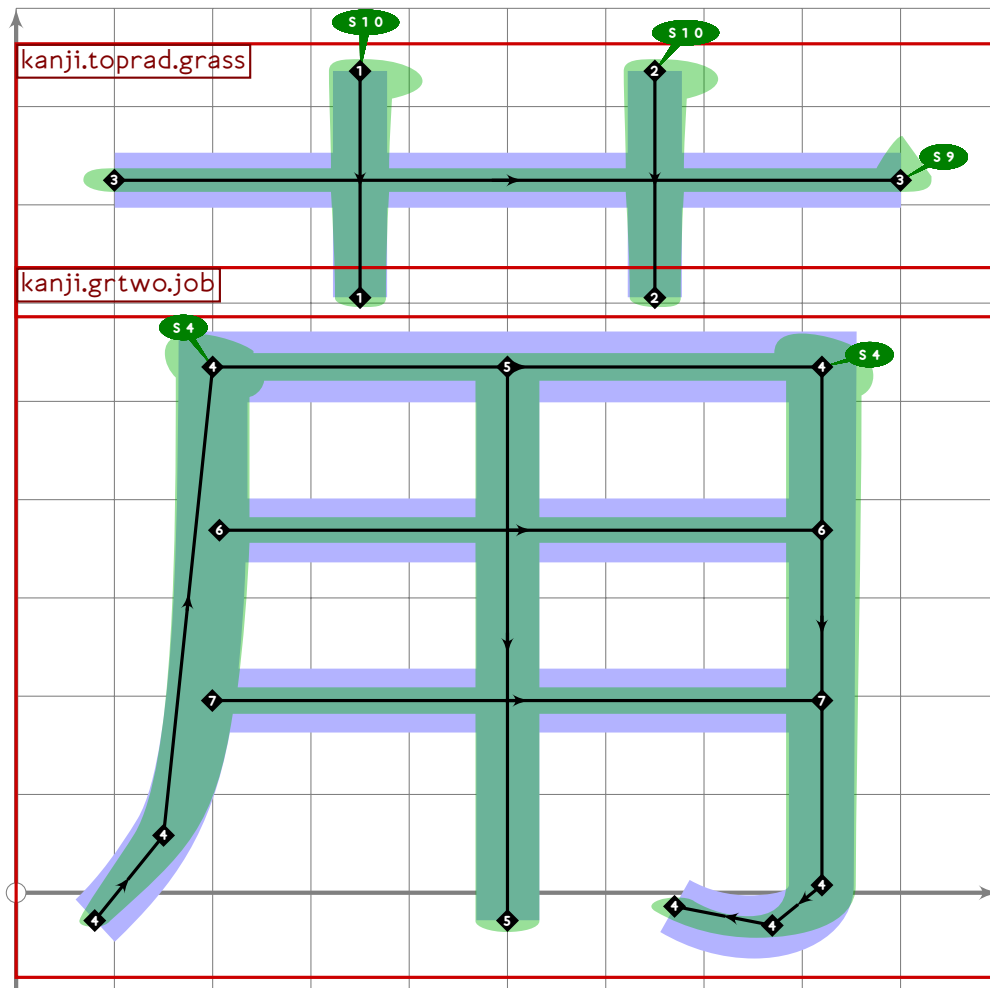
[see page 391]



```

166 % extra
167 begint Suglyph("uni82D9";217);
168 build_kanji.tb(600,50)
169 (tsu_curve.kanji.toprad.grass)
170 (tsu_curve.kanji.grone.stand_up);
171 tsu_render;
172 endtsuglyph;
173

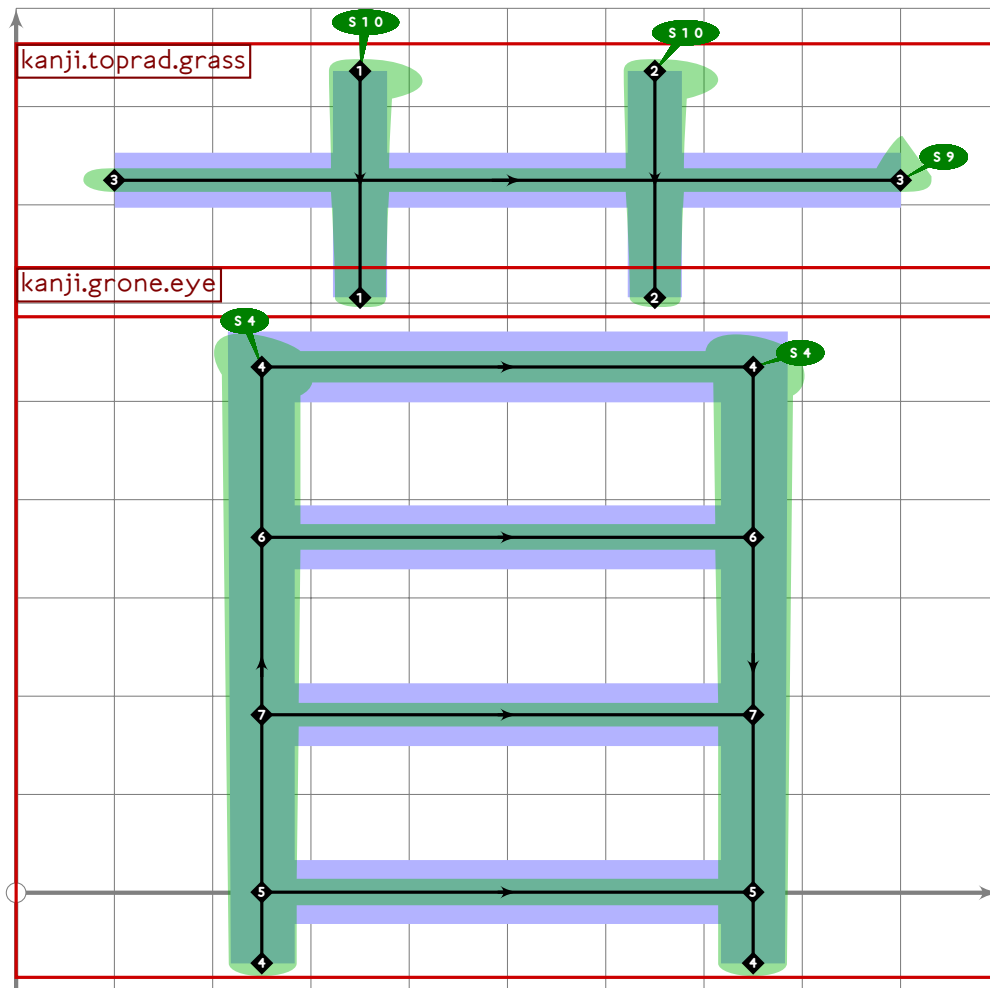
```



```

174 % extra
175 begint Suglyph("uni82DA";218);
176 build_kanji.tb(600,0)
177   (tsu_curve.kanji.toprad.grass)
178   (tsu_curve.kanji.grtwo.job);
179   tsu_render;
180 endsuglyph;
181

```

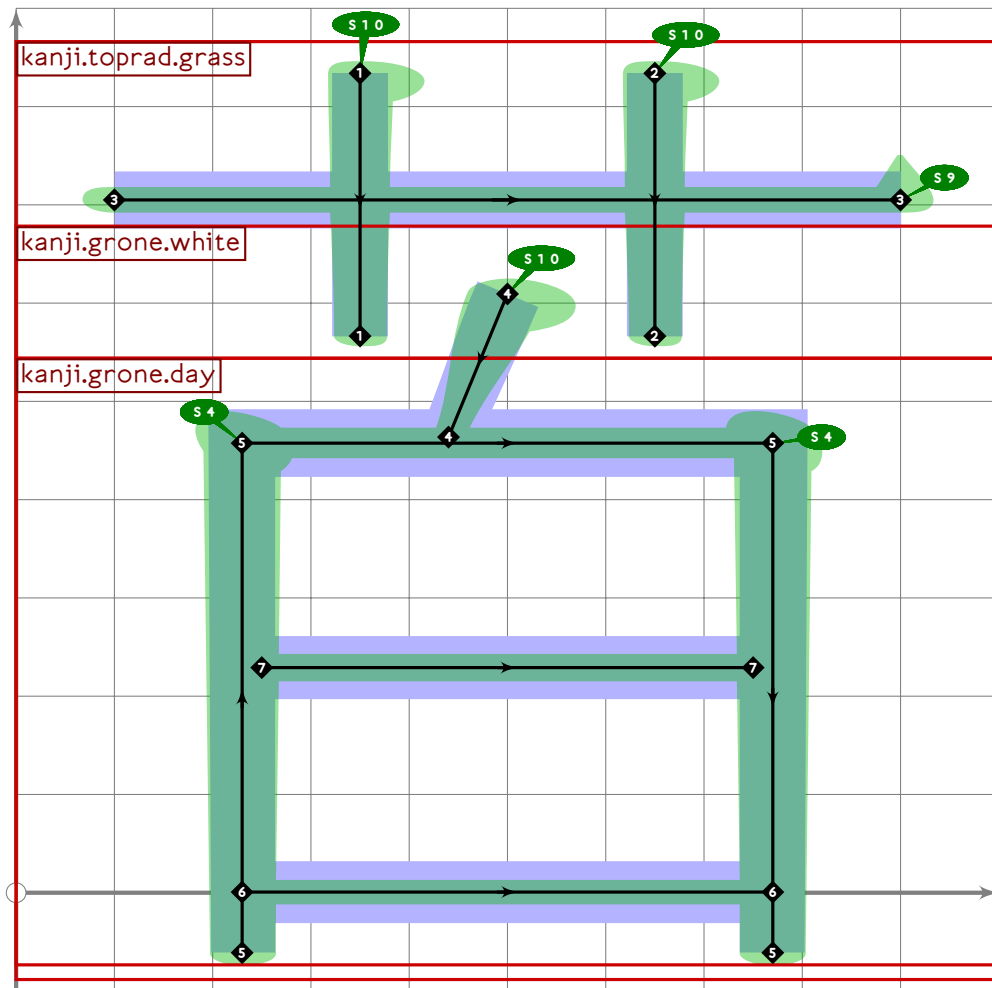


```

182 % extra
183 begint Suglyph("uni82DC";220);
184 build_kanji.tb(600,0)
185   (tsu_curve.kanji.toprad.grass)
186   (tsu_curve.kanji.grone.ey);
187   tsu_render;
188 endtsuglyph;
189
190 % waka "young master"
191 begint Suglyph("uni82E5";229);
192   tsu_curve.kanji.grsix.young_master;
193   tsu_render;
194 endtsuglyph;
195

```

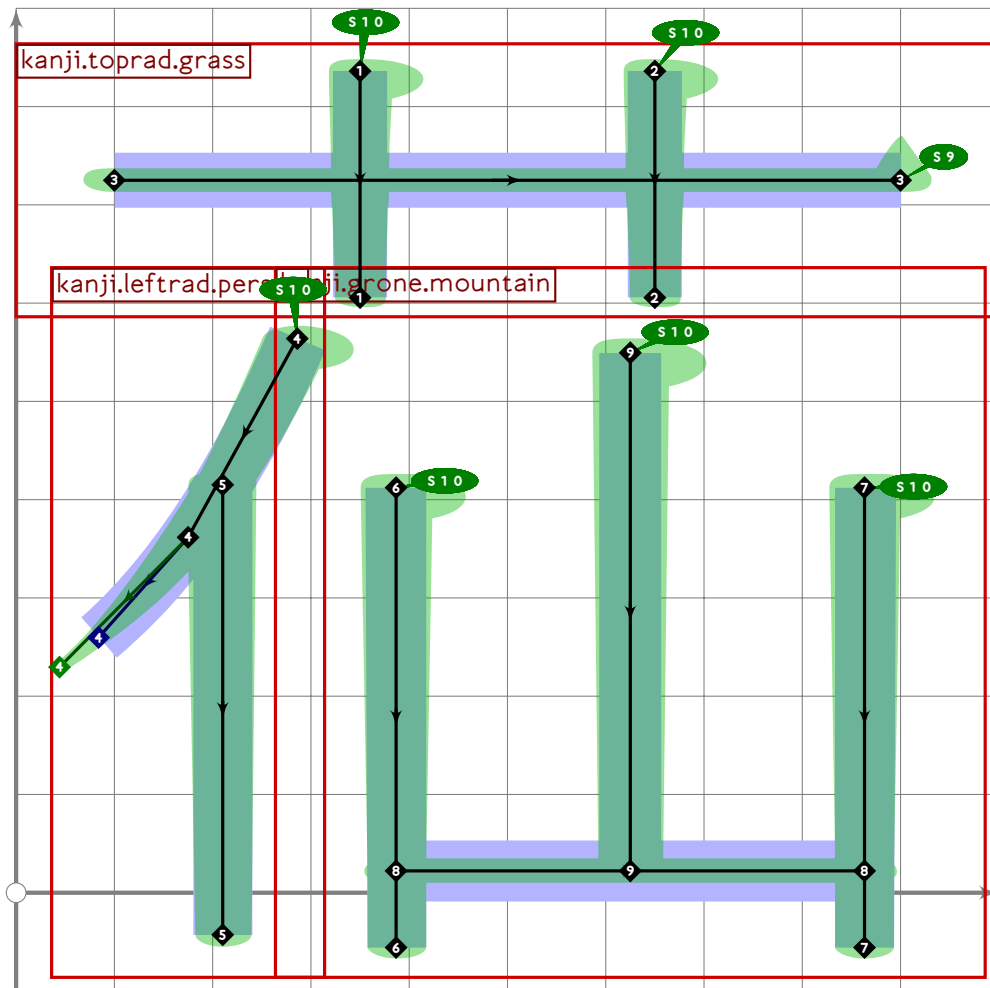
[see page 1303]



```

196 % extra
197 begint Suglyph("uni82E9",233);
198   build_kanji.tb(600,80)
199     (tsu_curve.kanji.toprad.grass)
200     (tsu_curve.kanji.grone.white);
201   tsu_render;
202 endtsuglyph;
203

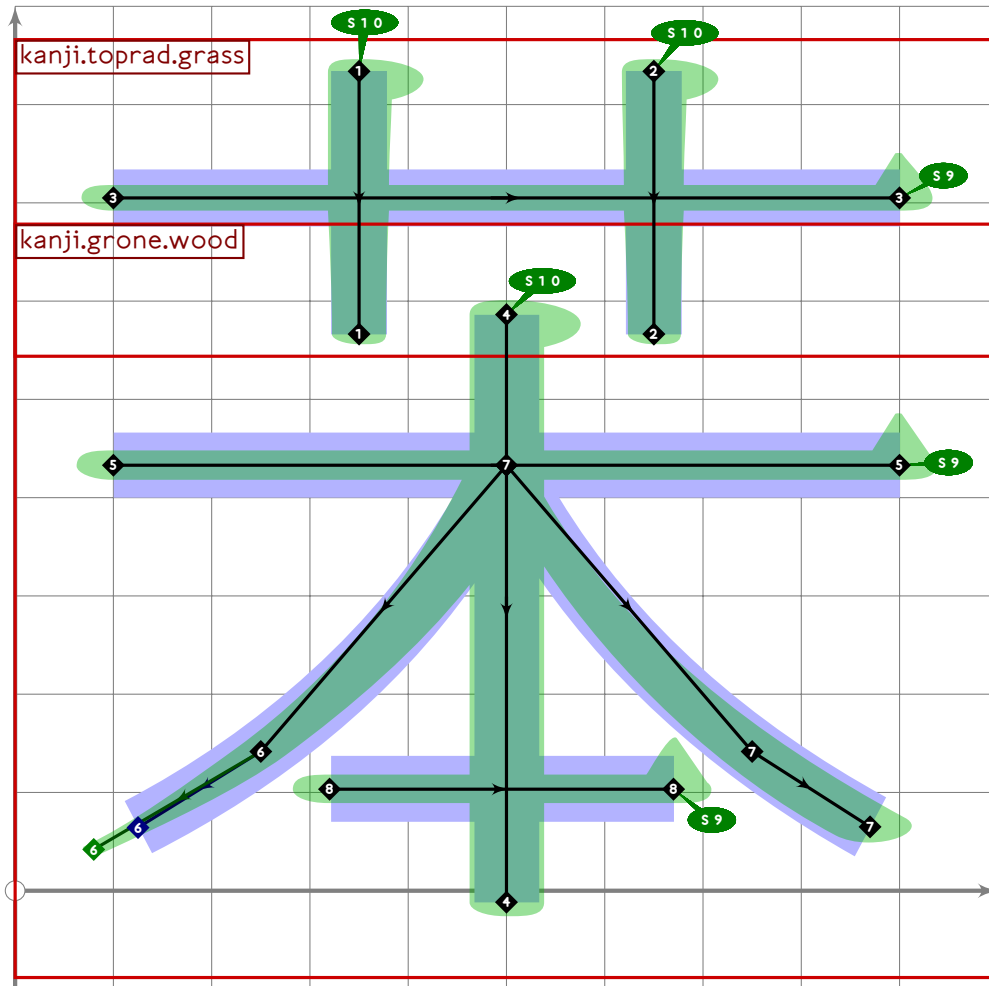
```



```

204 % extra
205 begint Suglyph("uni82EE",238);
206 build_kanji.tb(600,0)
207   (tsu_curve.kanji.toprad.grass)
208   (tsu_curve.kanji.greight.wizard);
209   tsu_render;
210 endtsuglyph;
211

```

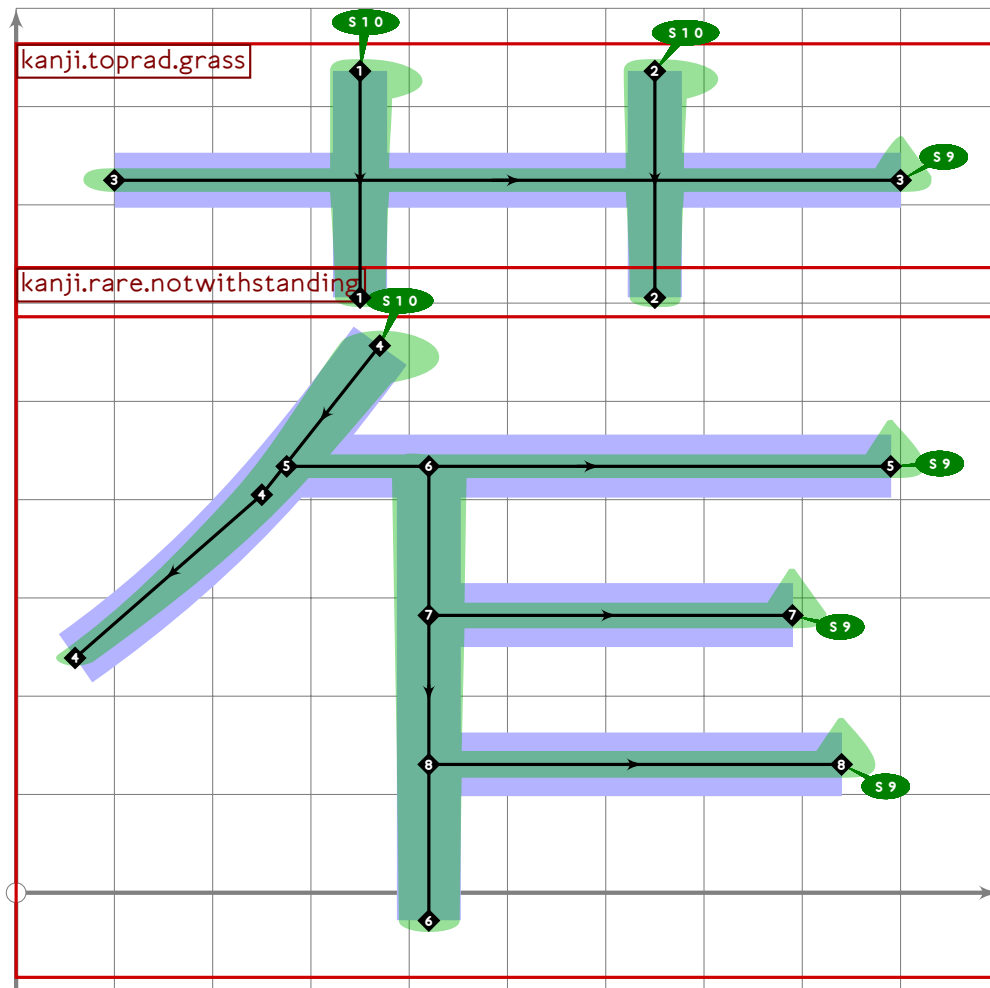


```

212 % extra
213 begintsuglyph("uni82EF",239);
214 build_kanji.tb(600,80)
215   (tsu_curve.kanji.toprad.grass)
216   (tsu_curve.kanji.grone.book);
217   tsu_render;
218 endtsuglyph;
219
220 % ei "English"
221 begintsuglyph("uni82F1",241);
222   tsu_curve.kanji.grfour.english;
223   tsu_render;
224 endtsuglyph;
225

```

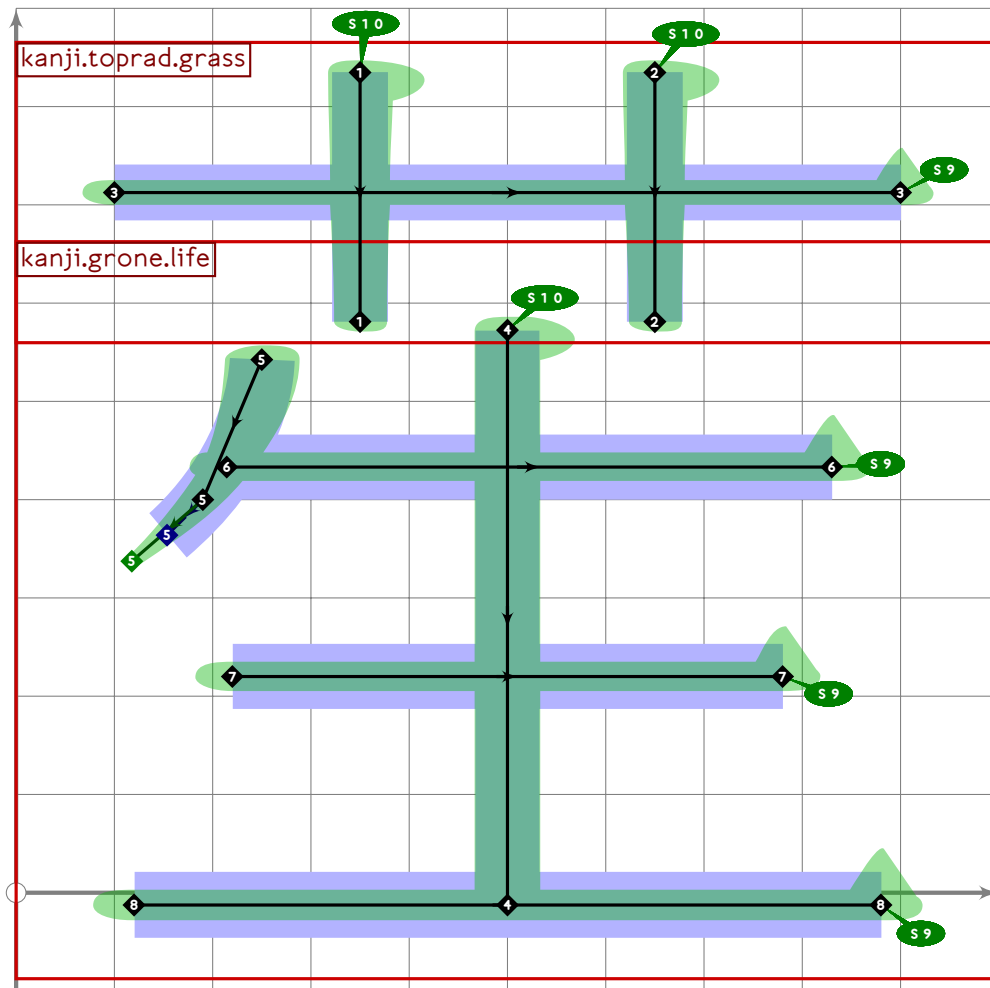
[see page 1302]



```

226 % extra
227 begint Suglyph("uni82F2",242);
228   build_kanji.tb(600,0)
229     (tsu_curve.kanji.toprad.grass)
230     (tsu_curve.kanji.rare.notwithstanding);
231   tsu_render;
232 endtsuglyph;
233

```



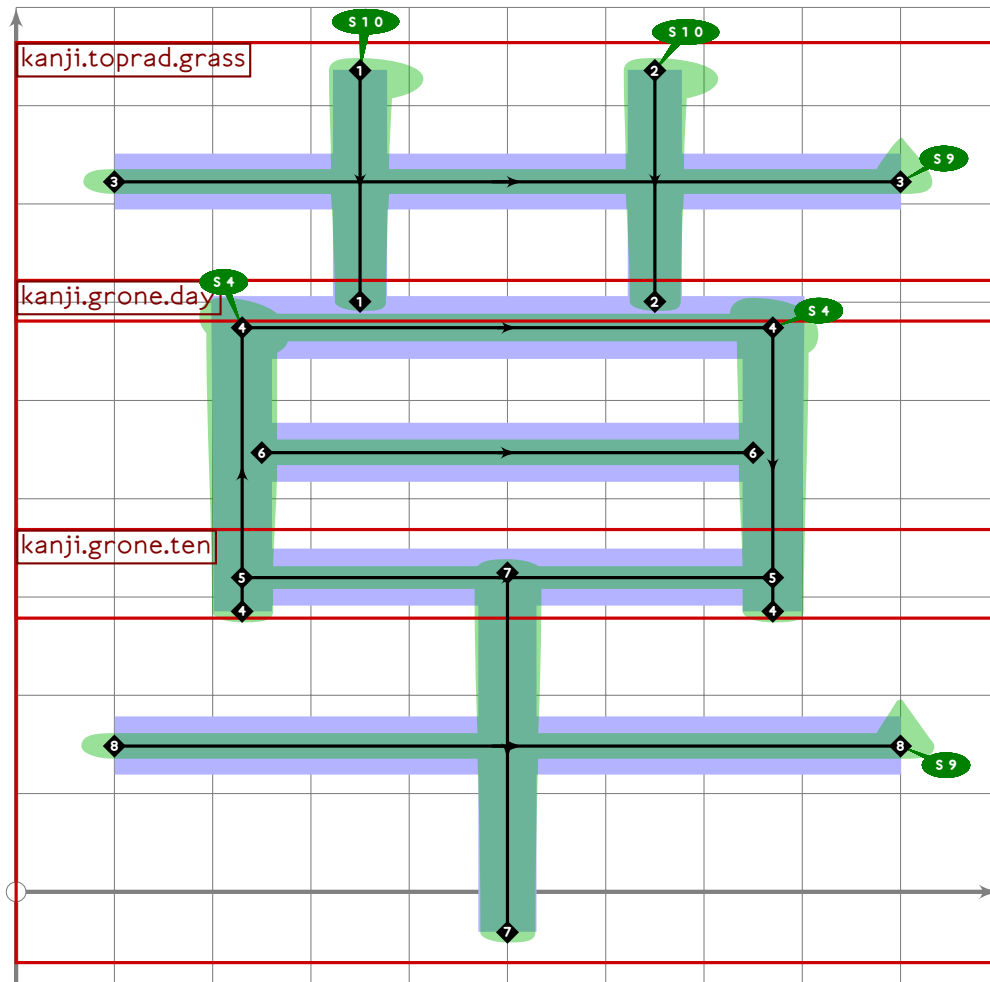
```

234 % extra
235 begint Suglyph("uni82FC",252);
236 build_kanji.tb(600,50)
237   (tsu_curve.kanji.toprad.grass)
238   (tsu_curve.kanji.grone.life);
239   tsu_render;
240 endsuglyph;
241
242 _____
243
244 endfont;
245
246 _____

```

tsuku-83.mp

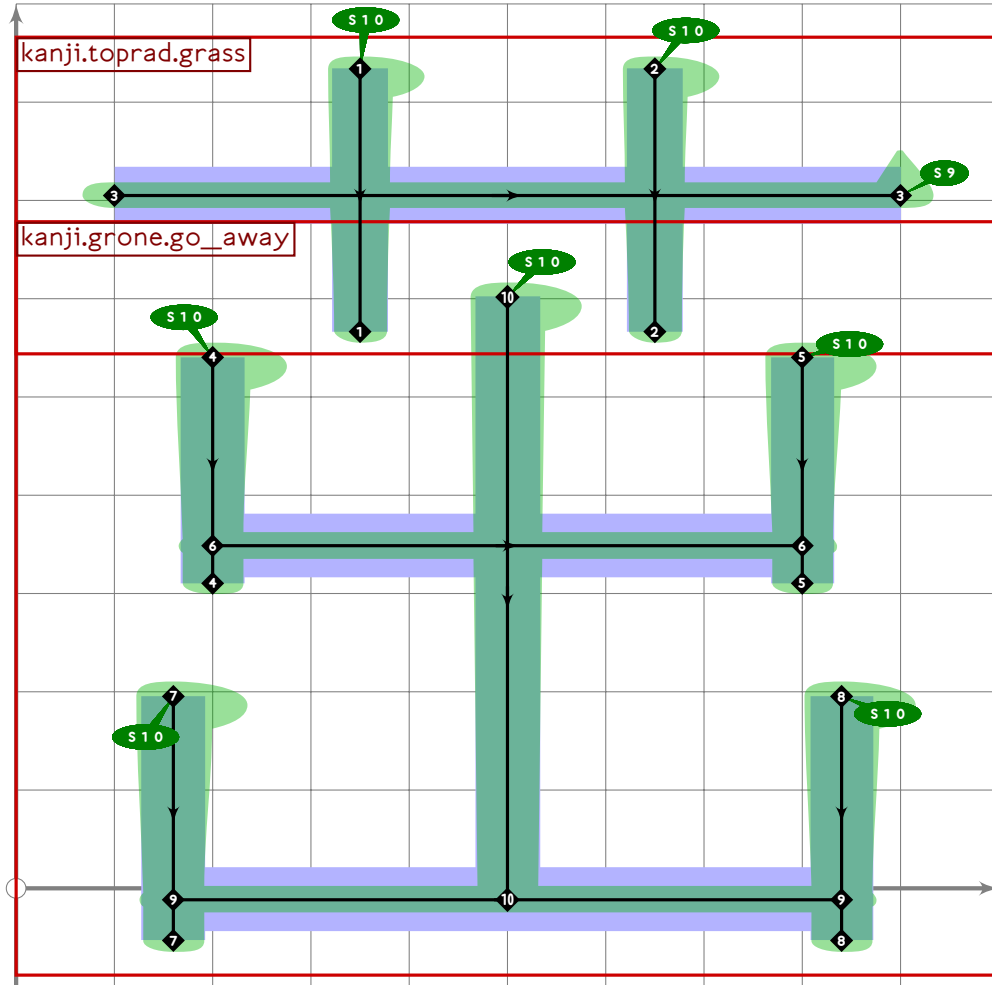
```
1 %  
2 % Unicode page 83 (Kanji) for Tsukurimashou  
3 % Copyright (C) 2011 Matthew Skala  
4 %  
5-29 [Standard copyright notice]  
30  
31 _____  
32  
33 beginfont  
34  
35 % AUTODEPS  
36 input buildkanji.mp;  
37 input gradeone.mp;  
38 input gradetwo.mp;  
39 input leftrad.mp;  
40 input radical.mp;  
41 input toprad.mp;  
42  
43 _____
```



```

44
45 vardef tsu_curve.kanji.grone.grass =
46   add_proof_box("kanji.grone.grass");
47   build_kanji.tb(600,10)
48     (tsu_curve.kanji.toprad.grass)
49     (tsu_curve.kanji.grone.early);
50 enddef;
51
52
53

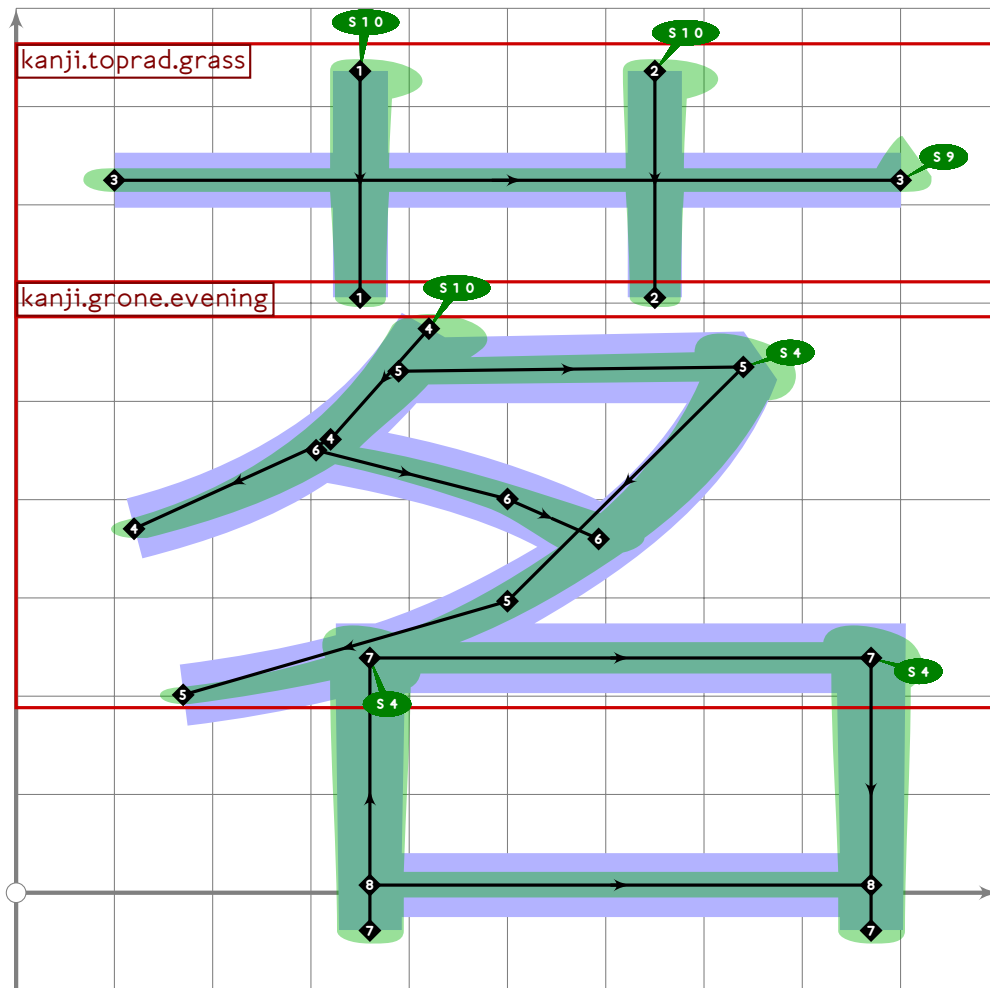
```



```

54 % extra
55 begint Suglyph("uni8301";1);
56   build_kanji.tb(600,80)
57     (tsu_curve.kanji.toprad.grass)
58     (tsu_curve.kanji.grone.go_away);
59   tsu_render;
60 endtsuglyph;
61

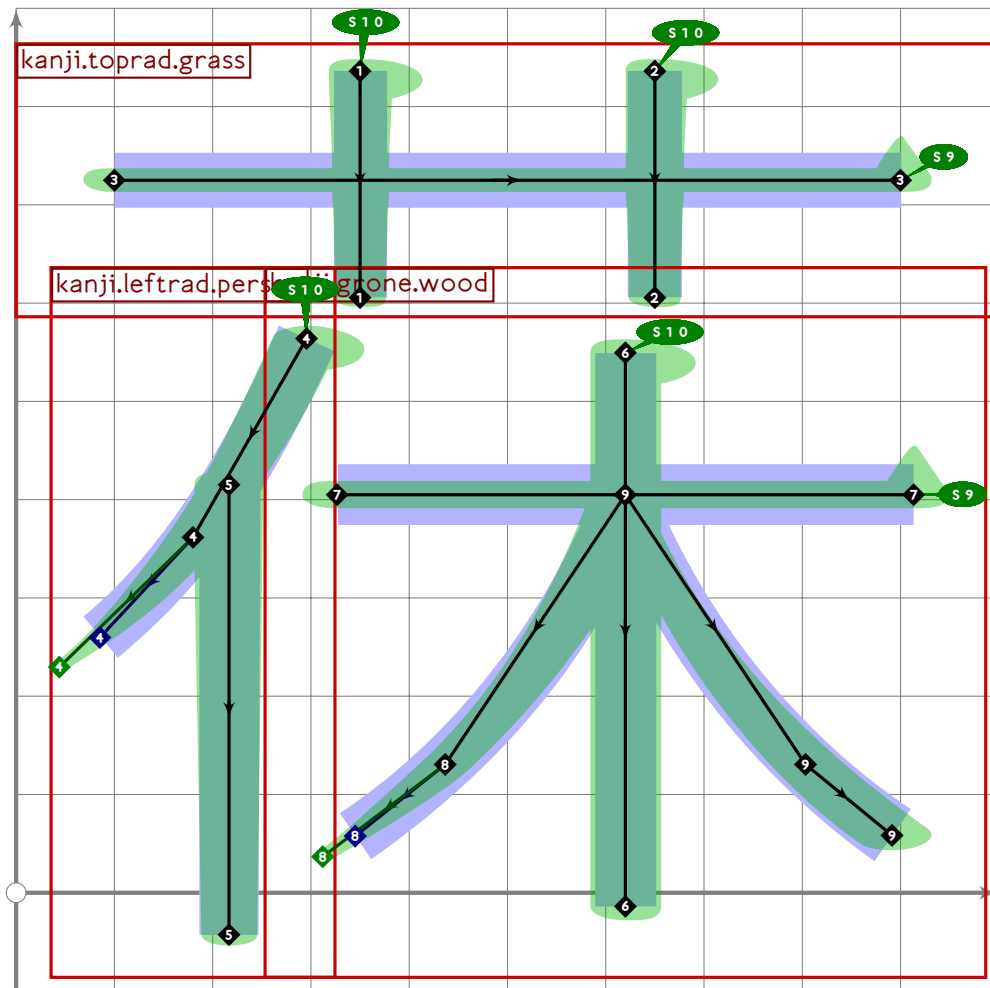
```



```

62 % myou/cha "tea"
63 begint Suglyph("uni8317";23);
64 build_kanji.tb(600,0)
65   (tsu_curve.kanji.toprad.grass)
66   (tsu_curve.kanji.grone.name);
67   tsu_render;
68 endsuglyph;
69

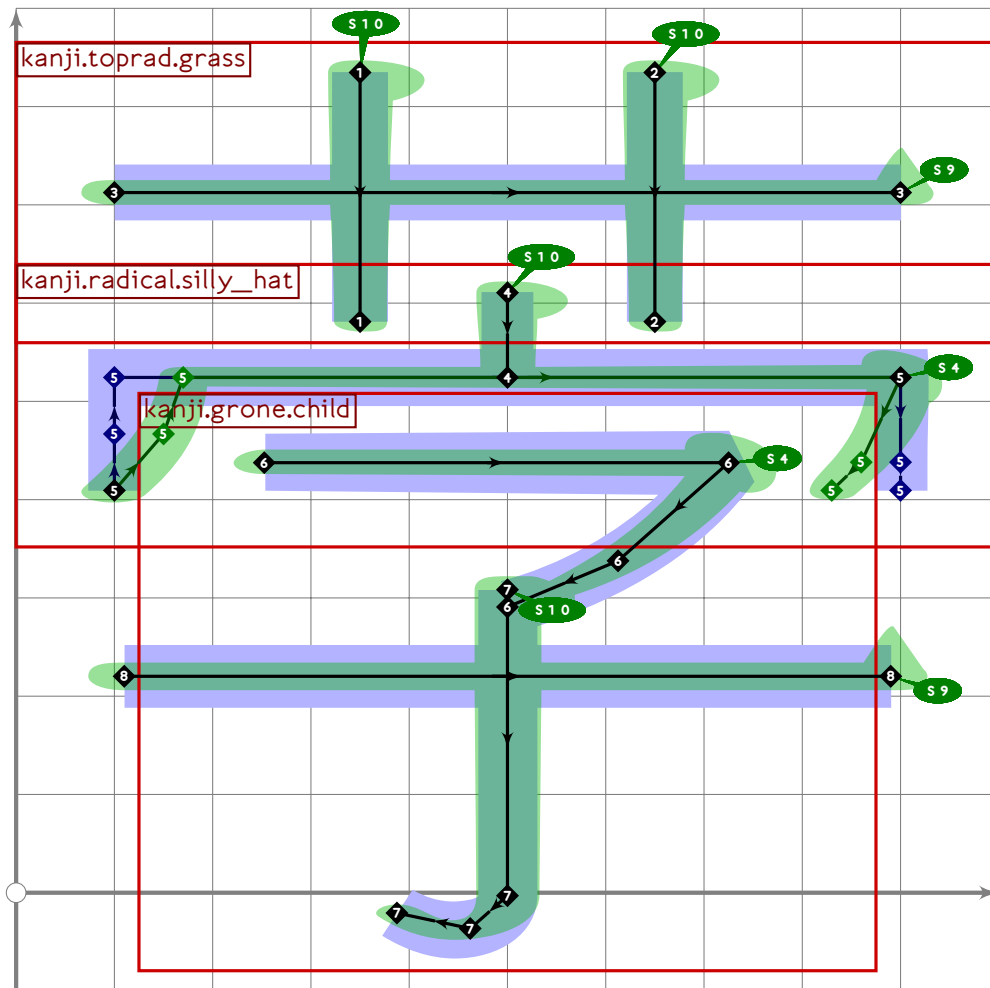
```

```

70 % extra
71 begint Suglyph("uni8320",32);
72 build_kanji.tb(600,0)
73   (tsu_curve.kanji.toprad.grass)
74   (tsu_curve.kanji.grone.vacation);
75   tsu_render;
76   endtsuglyph;
77

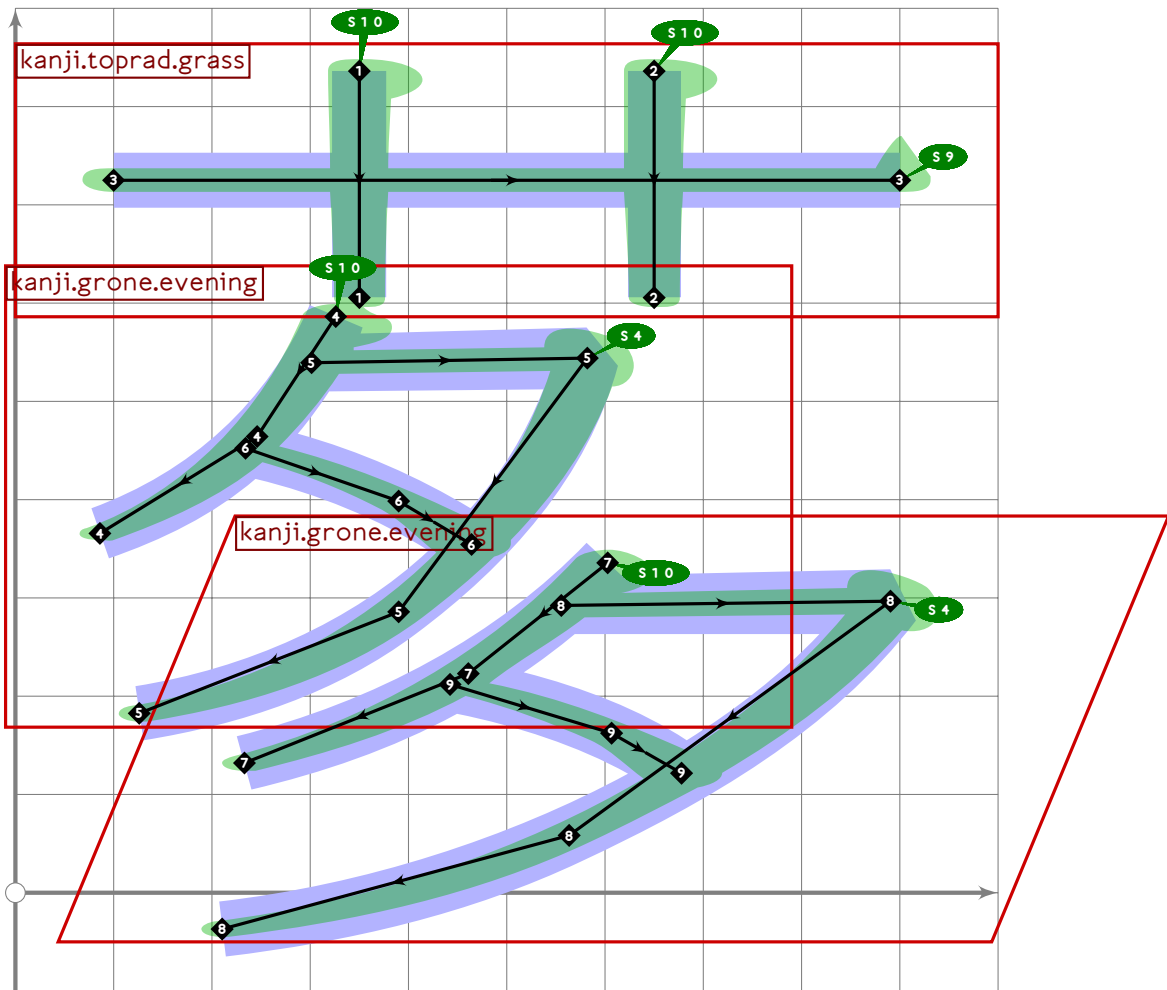
```



```

78 % extra
79 begint Suglyph("uni8321";33);
80 build_kanji.tb(600,50)
81   (tsu_curve.kanji.toprad.grass)
82   (tsu_curve.kanji.grone.character);
83   tsu_render;
84   endtsuglyph;
85

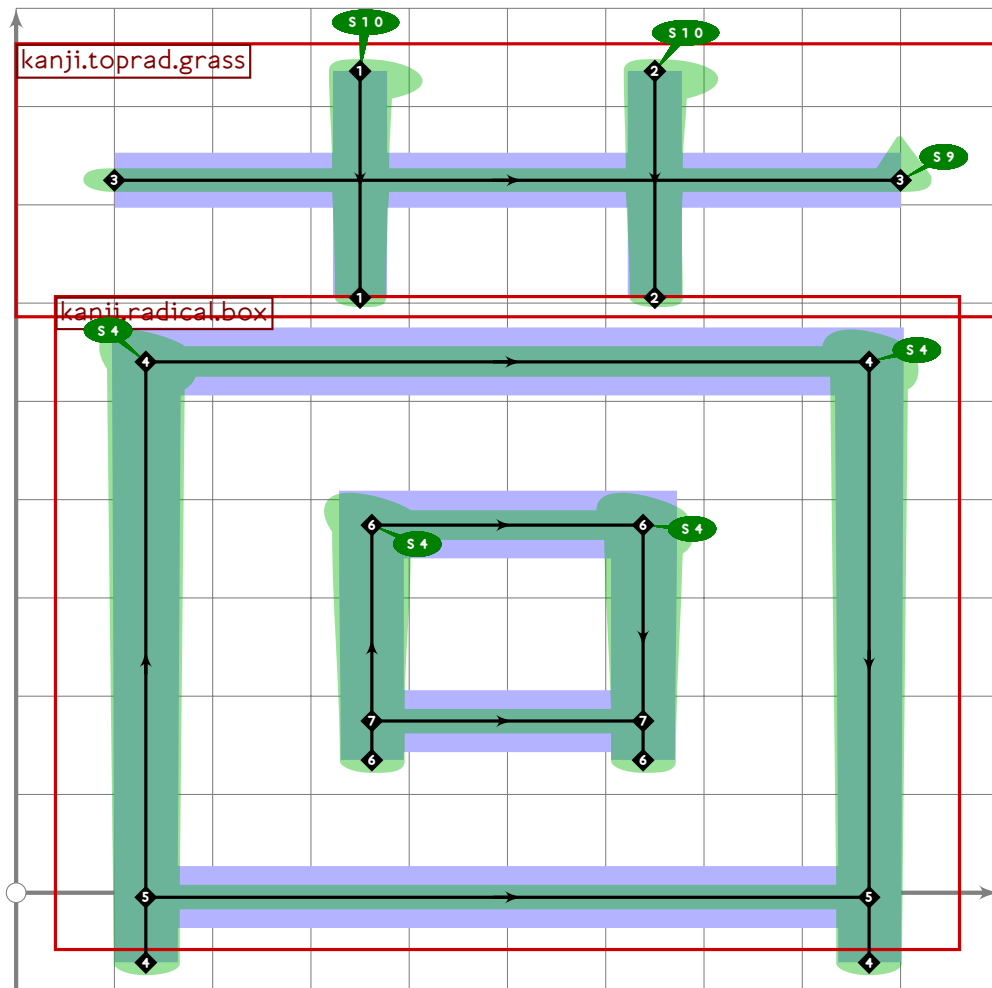
```



```

86 % extra
87 begint Suglyph("uni8324",36);
88 build_kanji.tb(600,0)
89   (tsu_curve.kanji.toprad.grass)
90   (tsu_curve.kanji.grtwo.many);
91   tsu_render;
92 endtsuglyph;
93

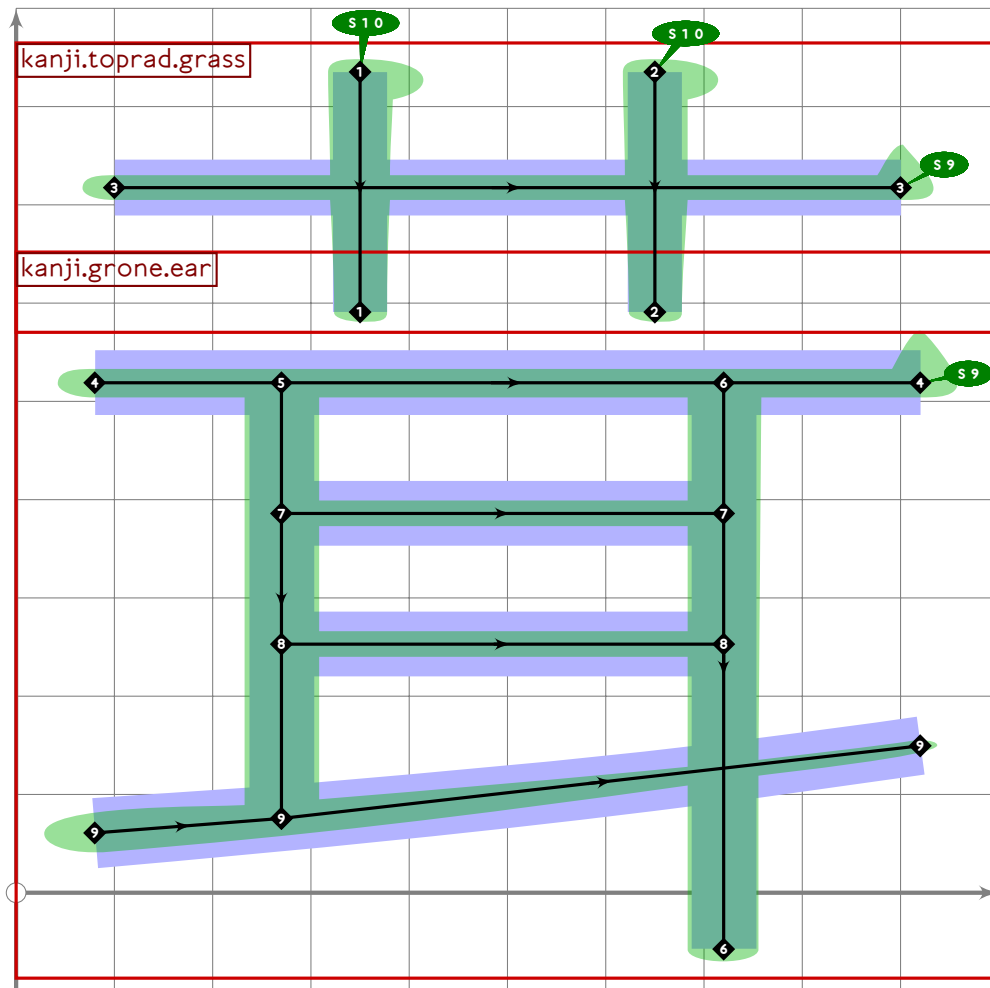
```



```

94 % extra
95 begint Suglyph("uni8334";52);
96 build_kanji.tb(600,0)
97   (tsu_curve.kanji.toprad.grass)
98   (build_kanji.sscale(scaled 0.92)(tsu_curve.kanji.grtwo.occurrences));
99   tsu_render;
100 endsuglyph;
101

```



```

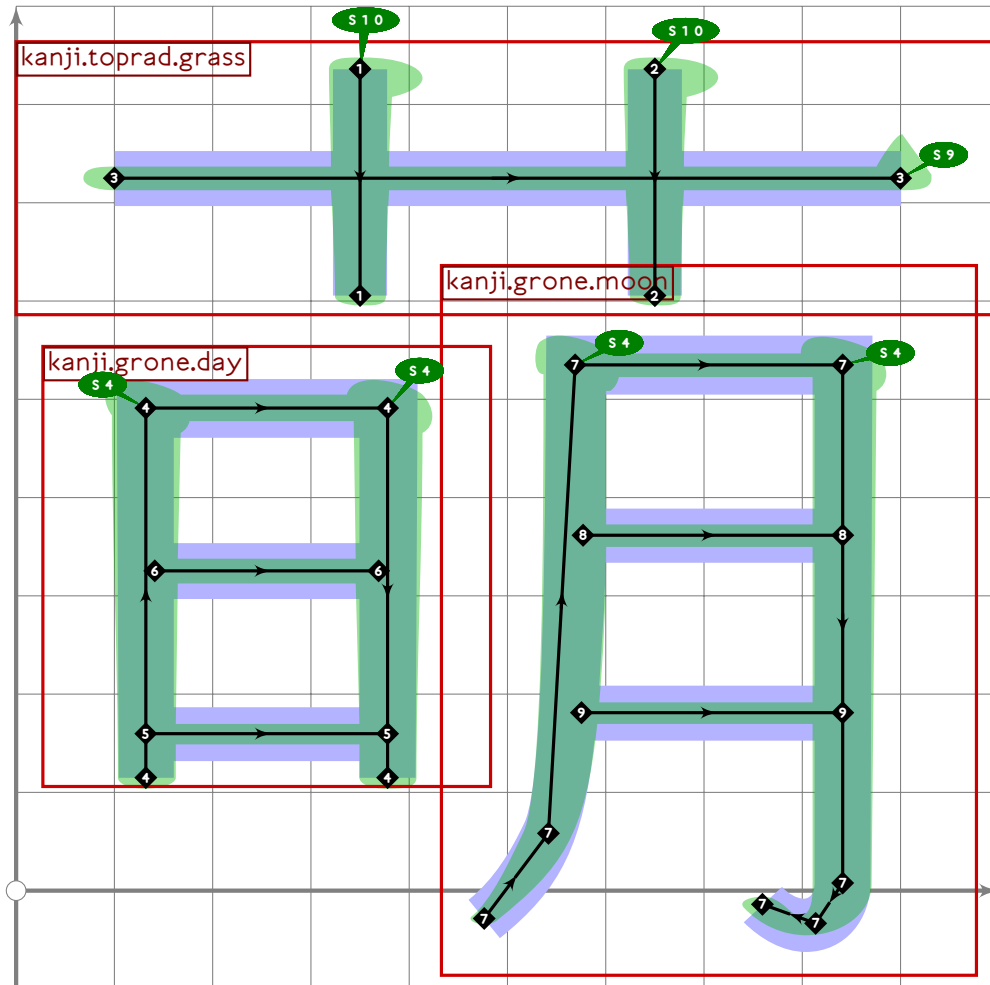
102 % extra
103 begintsuglyph("uni8338";56);
104 build_kanji.tb(600,30)
105 (tsu_curve.kanji.toprad.grass)
106 (tsu_curve.kanji.grone.ear);
107 tsu_render;
108 endtsuglyph;
109
110 % sou/kusa "grass"
111 begintsuglyph("uni8349";73);
112 tsu_curve.kanji.grone.grass;
113 tsu_render;
114 endtsuglyph;
115
116 _____
117
118 endfont;
119
120 _____

```

[see page 1323]

tsuku-84.mp

```
1 %  
2 % Unicode page 84 (Kanji) for Tsukurimashou  
3 % Copyright (C) 2011 Matthew Skala  
4 %  
5-29 [Standard copyright notice]  
30  
31 _____  
32  
33 beginfont  
34  
35 % AUTODEPS  
36 input buildkanji.mp;  
37 input gradeone.mp;  
38 input gradetwo.mp;  
39 input leftrad.mp;  
40 input topnad.mp;  
41  
42 _____
```



43

```
44 vardef tsu_curve.kanji.grnine.moe =
45   add_proof_box("kanji.grnine.moe");
46   build_kanji.tb(600,0)
47     (tsu_curve.kanji.toprad.grass)
48     (tsu_curve.kanji.grtwo.light);
49 enddef;
50
51 

---


52
53 % moe (untranslatable)
54 beginsuglyph("uni840C";12); [see page 1331]
55   tsu_curve.kanji.grnine.moe;
56   tsu_render;
57 endsuglyph;
58
59 

---


60
61 endfont;
62
63 

---


```

tsuku-86.mp

```
1 %
2 % Unicode page 86 (Kanji) for Tsukurimashou
3 % Copyright (C) 2011 Matthew Skala
4 %
5-29 [Standard copyright notice]
30
31 

---


32
33 beginfont
34
35 % AUTODEPS
36 input buildkanji.mp;
37 input gradeone.mp;
38
39 

---


40
41 % mushi "bug"
42 begintsuglyph\("uni866B";107\); [see page 319]
43 tsu\_curve.kanji.grone.bug;
44 tsu\_render;
45 endtsuglyph;
46
47 

---

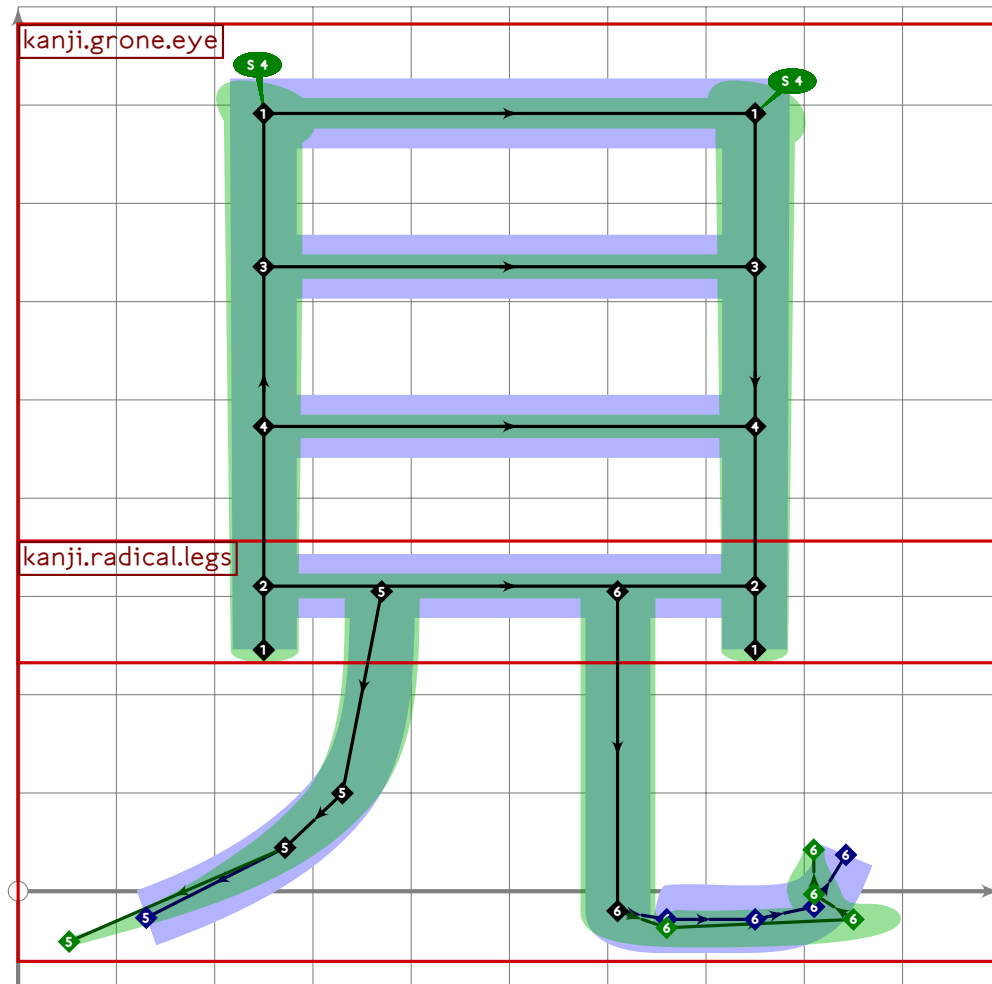

48
49 endfont;
50
51 

---


```


tsuku-89.mp

```
1 %  
2 % Unicode page 89 (Kanji) for Tsukurimashou  
3 % Copyright (C) 2011 Matthew Skala  
4 %  
5-29 [Standard copyright notice]  
30  
31 _____  
32  
33 beginfont  
34  
35 % AUTODEPS  
36 input buildkanji.mp;  
37 input gradeone.mp;  
38 input radical.mp;  
39  
40 _____
```



```
41  
42 vardef tsu_curve.kanji.grone.see =  
43   add_proof_box("kanji.grone.see");
```

```
44 build_kanji.level(build_kanji.tb(300,70)
45   (tsu_curve.kanji.grone.ey)
46   (tsu_curve.kanji.radical.legs));
47 enddef;
48
49 

---


50
51 % ken/mi "see"
52 begintsuglyph("uni898B",139); [see page 1333]
53   tsu_curve.kanji.grone.see;
54   tsu_render;
55 endsuglyph;
56
57 

---

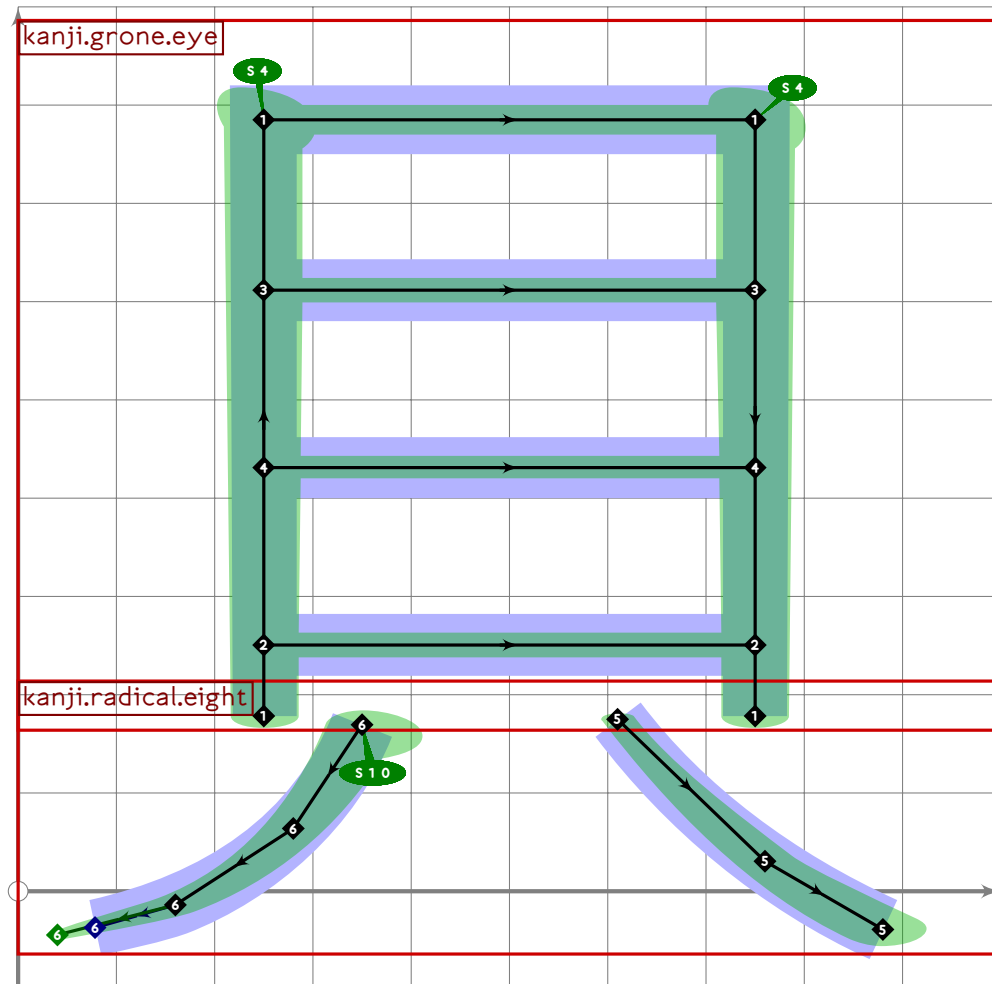

58
59 endfont;
60
61 

---


```

tsuku-8c.mp

```
1 %  
2 % Unicode page 8c (Kanji) for Tsukurimashou  
3 % Copyright (C) 2011 Matthew Skala  
4 %  
5-29 [Standard copyright notice]  
30  
31 _____  
32  
33 beginfont  
34  
35 % AUTODEPS  
36 input buildkanji.mp;  
37 input gradeone.mp;  
38 input radical.mp;  
39  
40 _____
```



```
41  
42 vardef tsu_curve.kanji.grone.shell =  
43   add_proof_box("kanji.grone.shell");
```

```
44 build_kanji.level(build_kanji.tb(200,0)
45   (tsu_curve.kanji.grone.eyē)
46   (tsu_curve.kanji.radical.eight));
47 enddef;
48
49 

---


50
51 % bai/kai "shellfish"
52 begintsuglyph("uni8C9D";157); [see page 1335]
53   tsu_curve.kanji.grone.shell;
54   tsu_render;
55 endtsuglyph;
56
57 

---


58
59 endfont;
60
61 

---


```

tsuku-8d.mp

```
1 %  
2 % Unicode page 8d (Kanji) for Tsukurimashou  
3 % Copyright (C) 2011 Matthew Skala  
4 %
```

```
5-29 [Standard copyright notice]
```

```
30
```

```
31
```

```
32
```

```
33 beginfont
```

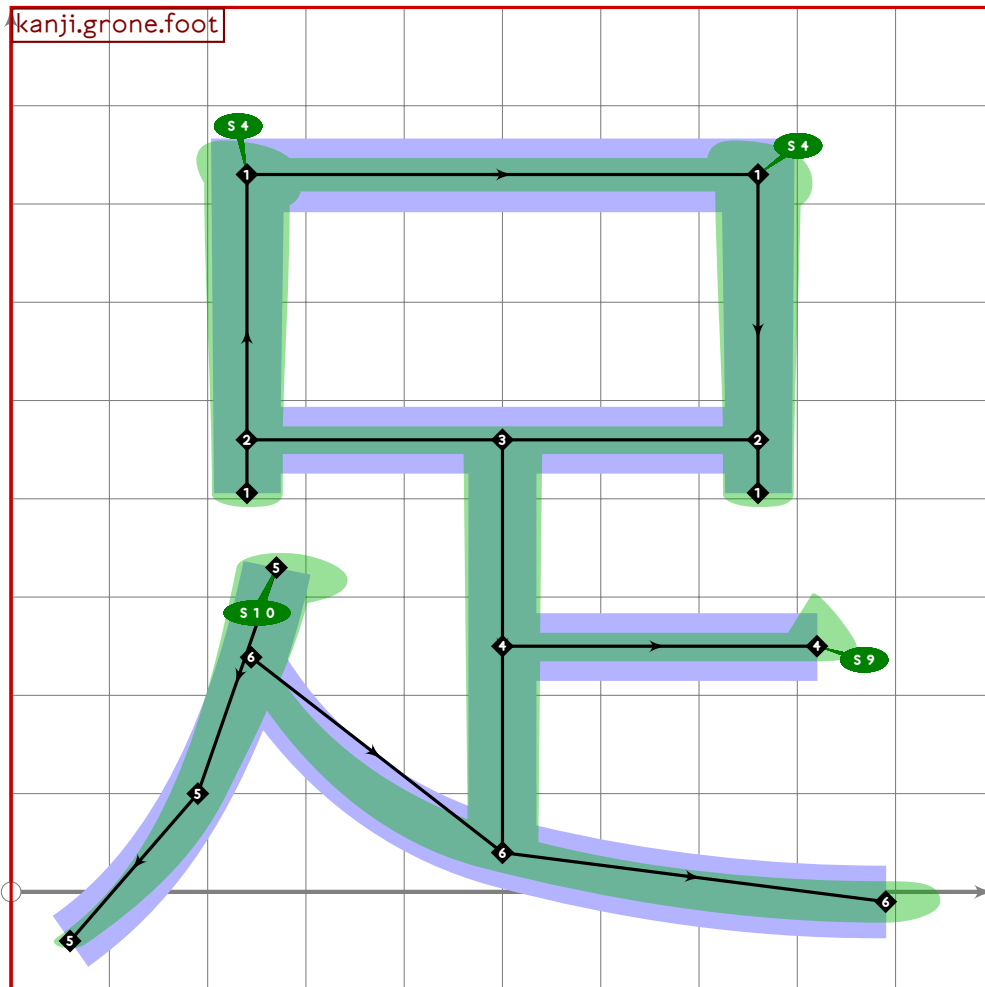
```
34
```

```
35 % AUTODEPS
```

```
36 input buildkanji.mp;
```

```
37
```

```
38
```



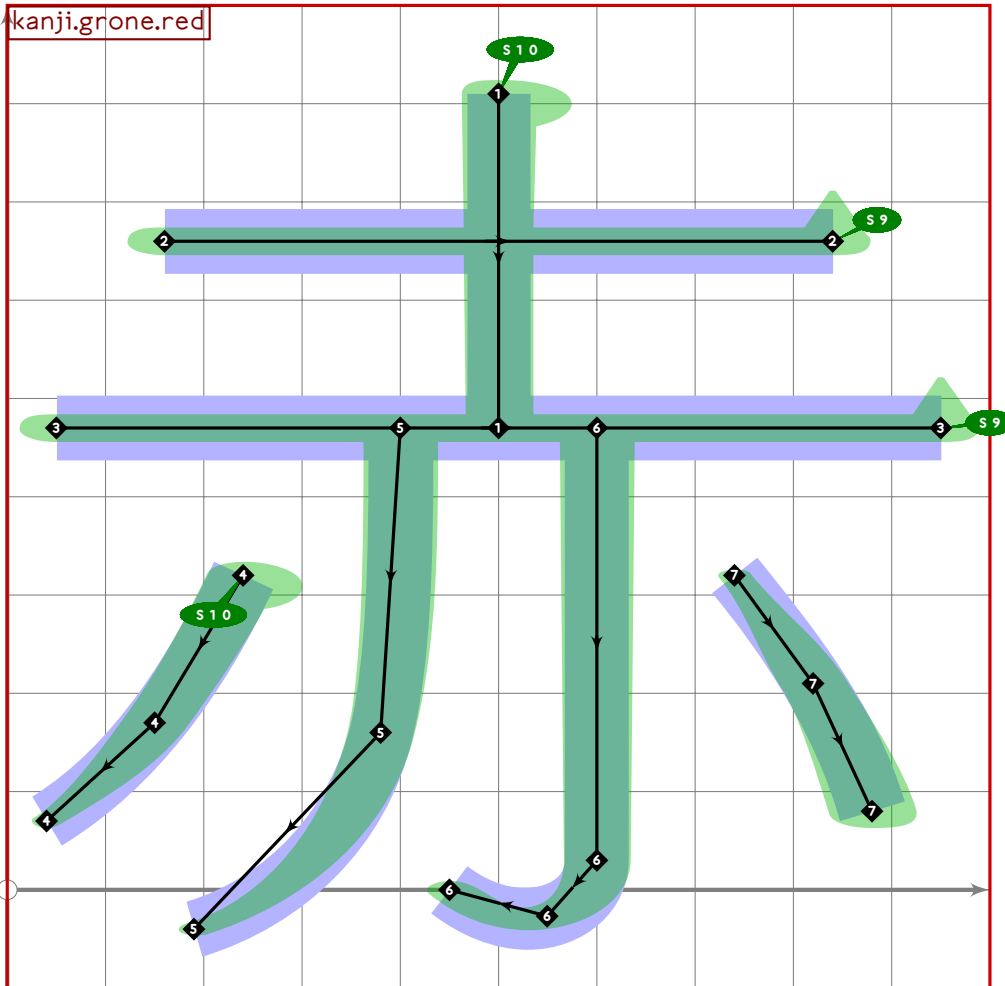
```
39
```

```
40 vardef tsu_curve.kanji.grone.foot =  
41   add_proof_box("kanji.grone.foot");  
42   build_kanji.box((240,730),(760,460));  
43   bp[sp]:=(500,460)-(500,40);
```

```

44 bq[sp]:=(1.6,1.6)-(1.5,1.5);
45 bp[sp*1]:=(500,250)-(820,250);
46 bq[sp*1]:=(1.5,1.5)-(1.6,1.6);
47 bo_serif[sp*1][1]:=9;
48 bp[sp*2]:=(270,330)..tension 1.3..(190,100)..(60,-50);
49 bq[sp*2]:=(1.6,1.6)-(1.3,1.3)-(1,1);
50 bo_serif[sp*2][0]=10;
51 bp[sp*3]:=(point 0.4 of bp[sp*2])..(500,40)..tension 1.5..(890,10);
52 bq[sp*3]:=(1,1)-(1.7,1.7)-(2,2);
53 sp:=sp*4;
54 enddef;

```



```

55
56 vardef tsu_curve.kanji.grone.red =
57   add_proof_box("kanji.grone.red");
58   bp[sp]:=(500,810)-(500,470);
59   bq[sp]:=(1.6,1.6)-(1.5,1.5);
60   bo_serif[sp][0]=10;
61   bp[sp*1]:=(160,660)-(840,660);
62   bq[sp*1]:=(1.6,1.6)-(1.6,1.6);
63   bo_serif[sp*1][1]=9;
64   bp[sp*2]:=(50,470)-(950,470);

```

```

65 bq[sp*2]:=(1.6,1.6)-(1.6,1.6);
66 bo_serif[sp*2][1]:=9;
67 bp[sp*3]:=(240,320)..tension 1.3..(150,170)..(40,70);
68 bq[sp*3]:=(1.6,1.6)-(1.5,1.5)-(1,1);
69 bo_serif[bp*3][0]:=10;
70 bp[sp*4]:=(400,470){down}..tension 1.3..(380,160)..(190,-40);
71 bq[sp*4]:=(1.6,1.6)-(1.5,1.5)-(1,1);
72 bp[sp*5]:=(600,470);
73 bq[sp*5]:=(1.6,1.6);
74 build_kanji.add_jtail(bp*5);
75 bp[sp*6]:=(740,320)..tension 1.3..(820,210)..(880,80);
76 bq[sp*6]:=(1,1)-(1.5,1.5)-(1.8,1.8);
77 for i=sp upto sp*6: bo_size[i]:=94; endfor;
78 sp:=sp*7;
79 enddef;
80
81 

---


82
83 % aka/seki "red"
84 begintsuglyph("uni8D64",100); [see page 1338]
85 tsu_curve.kanji.grone.red;
86 tsu_render;
87 endtsuglyph;
88
89 % ashi/soku "foot"
90 begintsuglyph("uni8DB3",179); [see page 1337]
91 tsu_curve.kanji.grone.foot;
92 tsu_render;
93 endtsuglyph;
94
95 

---


96
97 endfont;
98
99 

---



```

tsuku-8e.mp

```
1 %
2 % Unicode page 8e (Kanji) for Tsukurimashou
3 % Copyright (C) 2011 Matthew Skala
4 %
5-29 [Standard copyright notice]
30
31 

---


32
33 beginfont
34
35 % AUTODEPS
36 input buildkanji.mp;
37 input gradeone.mp;
38
39 

---


40
41 % kuruma "car/wheel"
42 begintsuglyph\("uni8ECA";202\); [see page 362]
43 tsu\_curve.kanji.grone.wheel;
44 tsu\_render;
45 endtsuglyph;
46
47 

---


48
49 endfont;
50
51 

---


```


tsuku-91.mp

```
1 %  
2 % Unicode page 91 (Kanji) for Tsukurimashou  
3 % Copyright (C) 2011 Matthew Skala  
4 %
```

```
5-29 [Standard copyright notice]
```

```
30
```

```
31
```

```
32
```

```
33 beginfont
```

```
34
```

```
35 % AUTODEPS
```

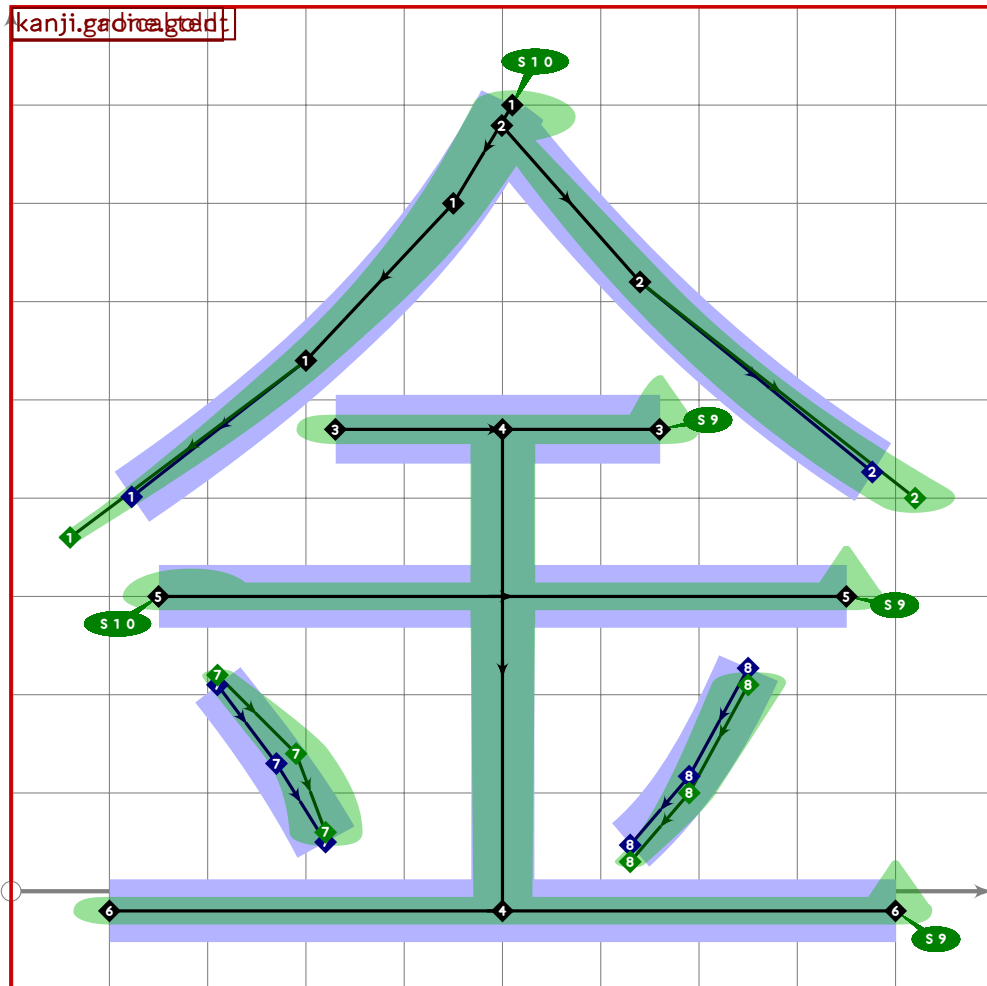
```
36 input buildkanji.mp;
```

```
37 input gradetwo.mp;
```

```
38 input radical.mp;
```

```
39
```

```
40
```



```
41
```

```
42 vardef tsu_curve.kanji.grone.gold =
```

```
43   tsu_curve.kanji.radical.tent;
```

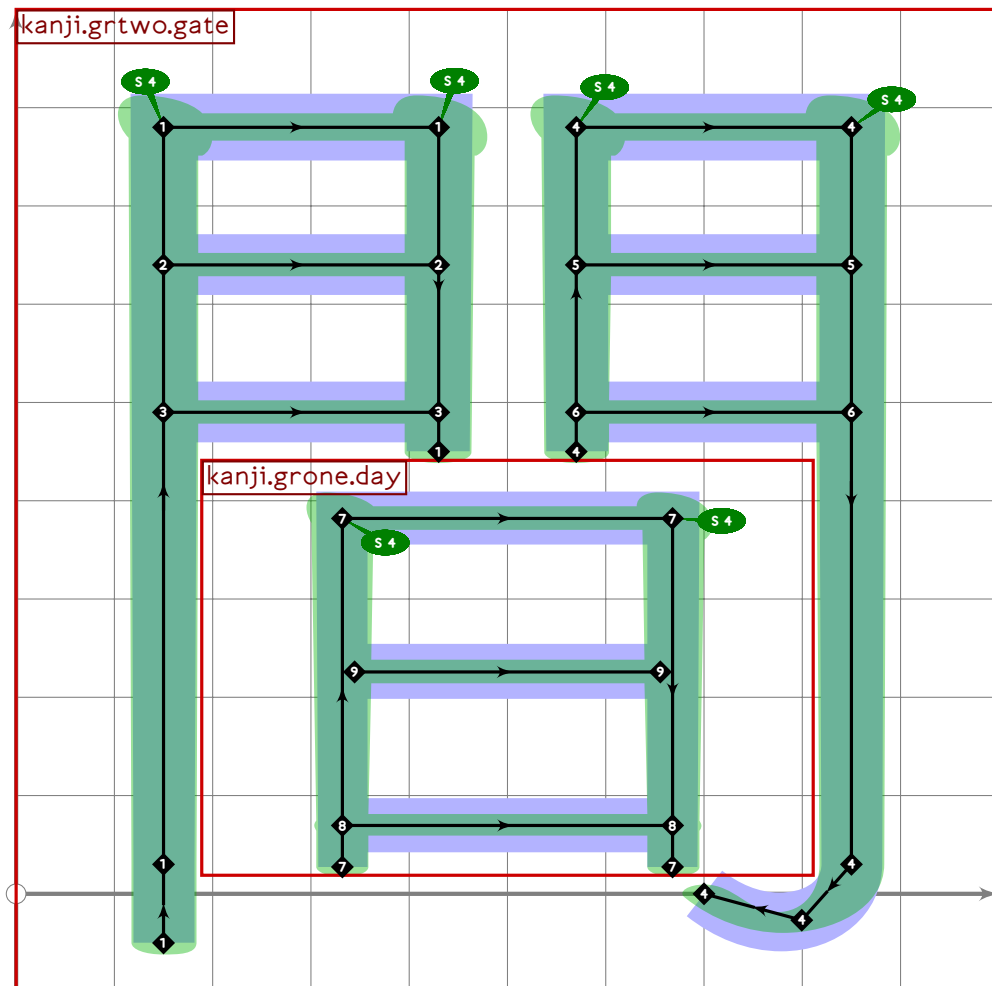
```

44  add_proof_box("kanji.grone.gold");
45  bp[sp]:=(500,470)-(500,-20);
46  bq[sp]:=(1.5,1.5)-(1.4,1.4);
47  bp[sp*1]:=(150,300)-(850,300);
48  bq[sp*1]:=(1.6,1.6)-(1.6,1.6);
49  bo_serif[sp*1][1]:=9;
50  bp[sp*2]:=(100,-20)-(900,-20);
51  bq[sp*2]:=(1.6,1.6)-(1.6,1.6);
52  bo_serif[sp*2][1]:=9;
53  bp[sp*3]:=(210,220)..tension 1.3..(270+20*mincho,140)..(320,60);
54  bp[sp*3]:=bp[sp*3] shifted ((1-mincho)*10*down);
55  bq[sp*3]:=(1,1)-(1.5,1.5)-(1.6,1.6);
56  bp[sp*4]:=(750,210)..tension 1.3..(690,100)..(630,30);
57  bp[sp*4]:=bp[sp*4] shifted ((1-mincho)*17*up);
58  bq[sp*4]:=(1.6,1.6)-(1.3,1.3)-(1,1);
59  bo_serif[bp*4][0]:=10;
60  for i=sp upto sp*4: bo_size[i]=93; endfor;
61  sp:=sp*5;
62  enddef;
63
64  _____
65
66  % ri/sato, multiple meanings including 3.929km and "neighbourhood"
67  begintsuglyph("uni91CC";204); [see page 375]
68  tsu_curve.kanji.grtwo.neighbourhood;
69  tsu_render;
70  endtsuglyph;
71
72  % kane/kin "gold"
73  begintsuglyph("uni91D1";209); [see page 1341]
74  tsu_curve.kanji.grone.gold;
75  tsu_render;
76  endtsuglyph;
77
78  _____
79
80  endfont;
81
82  _____

```

tsuku-95.mp

```
1 %  
2 % Unicode page 95 (Kanji) for Tsukurimashou  
3 % Copyright (C) 2011 Matthew Skala  
4 %  
5-29 [Standard copyright notice]  
30  
31 _____  
32  
33 beginfont  
34  
35 % AUTODEPS  
36 input buildkanji.mp;  
37 input gradeone.mp;  
38 input gradesix.mp;  
39 input gradethree.mp;  
40 input gradetwo.mp;  
41 input radical.mp;  
42  
43 _____
```



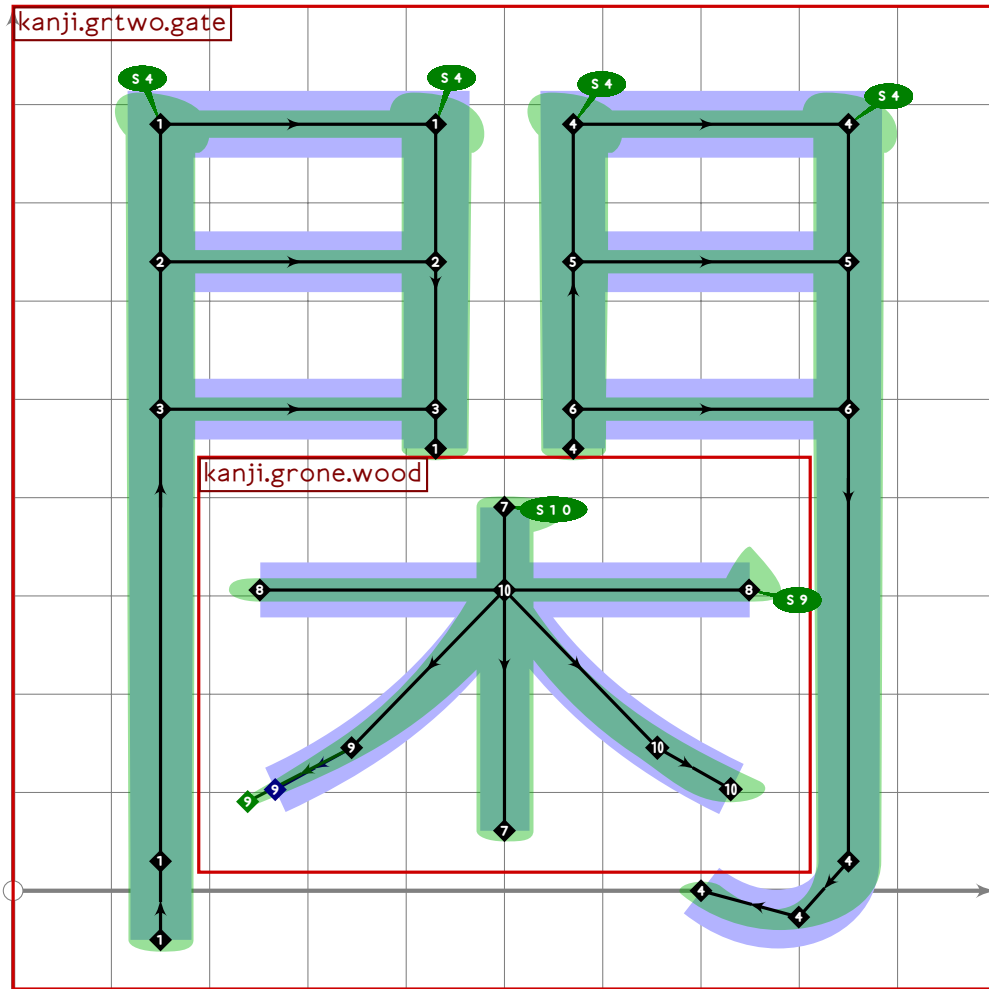
```

44
45 vardef tsu_curve.kanji.grtwo.interval =
46   add_proof_box("kanji.grtwo.interval");
47   build_kanji.gate_enclose(tsu_curve.kanji.grone.day);
48 enddef;

```

49

50



51

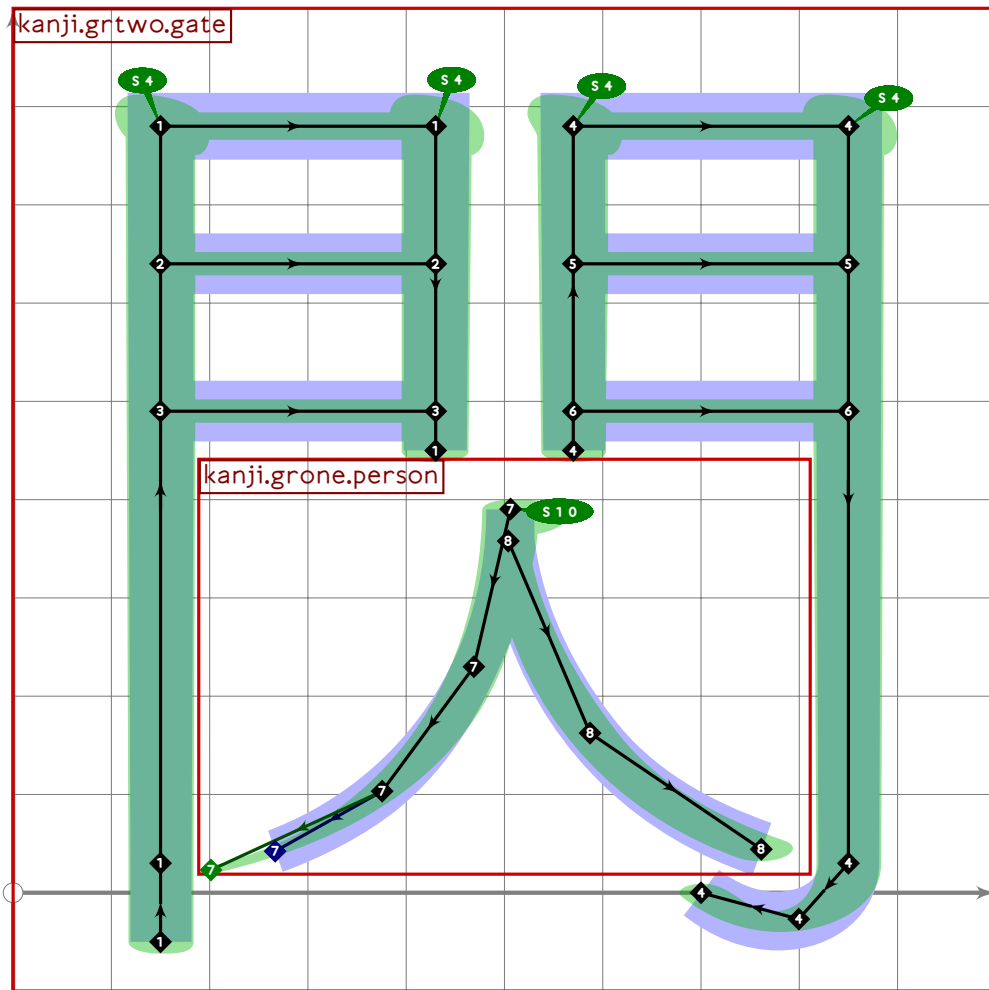
```

52 vardef tsu_curve.kanji.greight.leisure =
53   add_proof_box("kanji.greight.leisure");
54   build_kanji.gate_enclose(tsu_curve.kanji.grone.wood);
55 enddef;

```

56

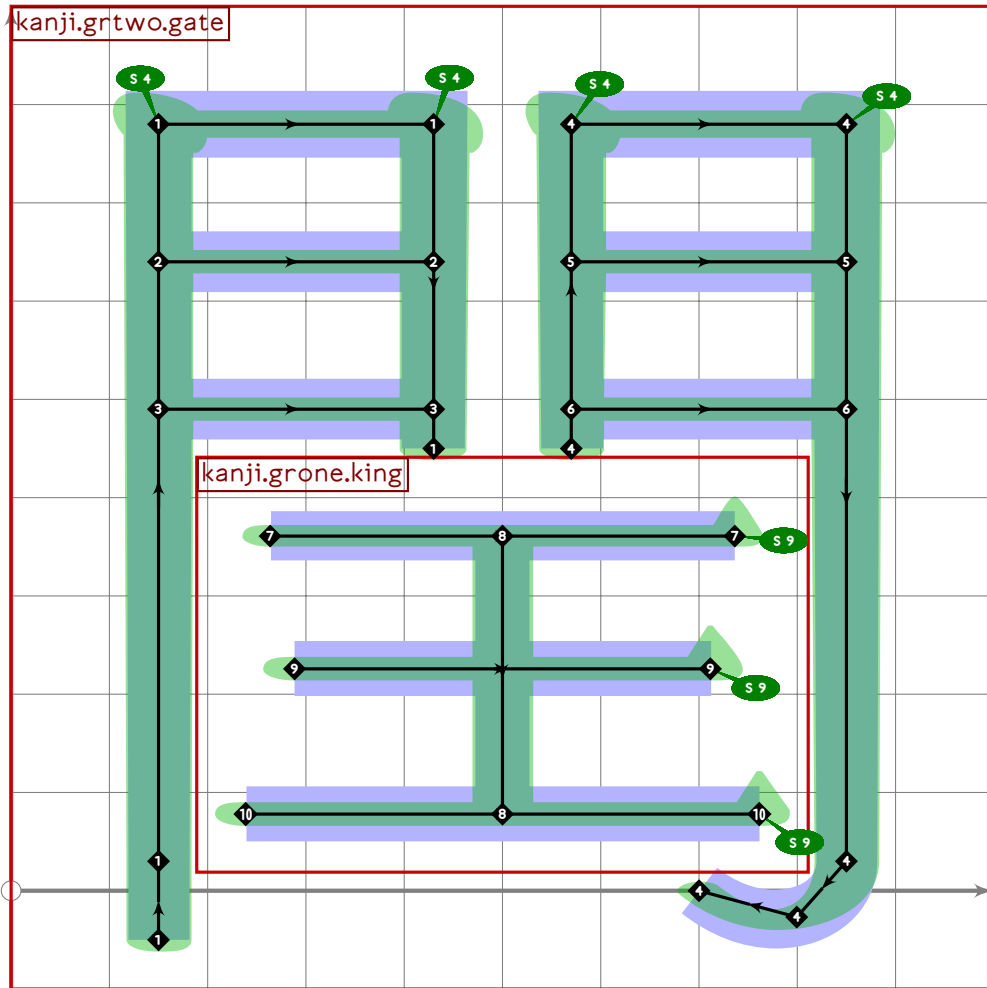
57



```

58
59 vardef tsu_curve.kanji.grnine.brandish =
60   add_proof_box("kanji.grnine.brandish");
61   build_kanji.gate_enclose(tsu_curve.kanji.grone.person);
62 enddef;

```



```

63
64 vardef tsu_curve.kanji.grnine.leap_year =
65   add_proof_box("kanji.grnine.leap_year");
66   build_kanji.gate_enclose(tsu_curve.kanji.grone.king);
67 enddef;

```

68

69

70

71 % mon/kado "gate"

72 begintsuglyph("uni9580",128);

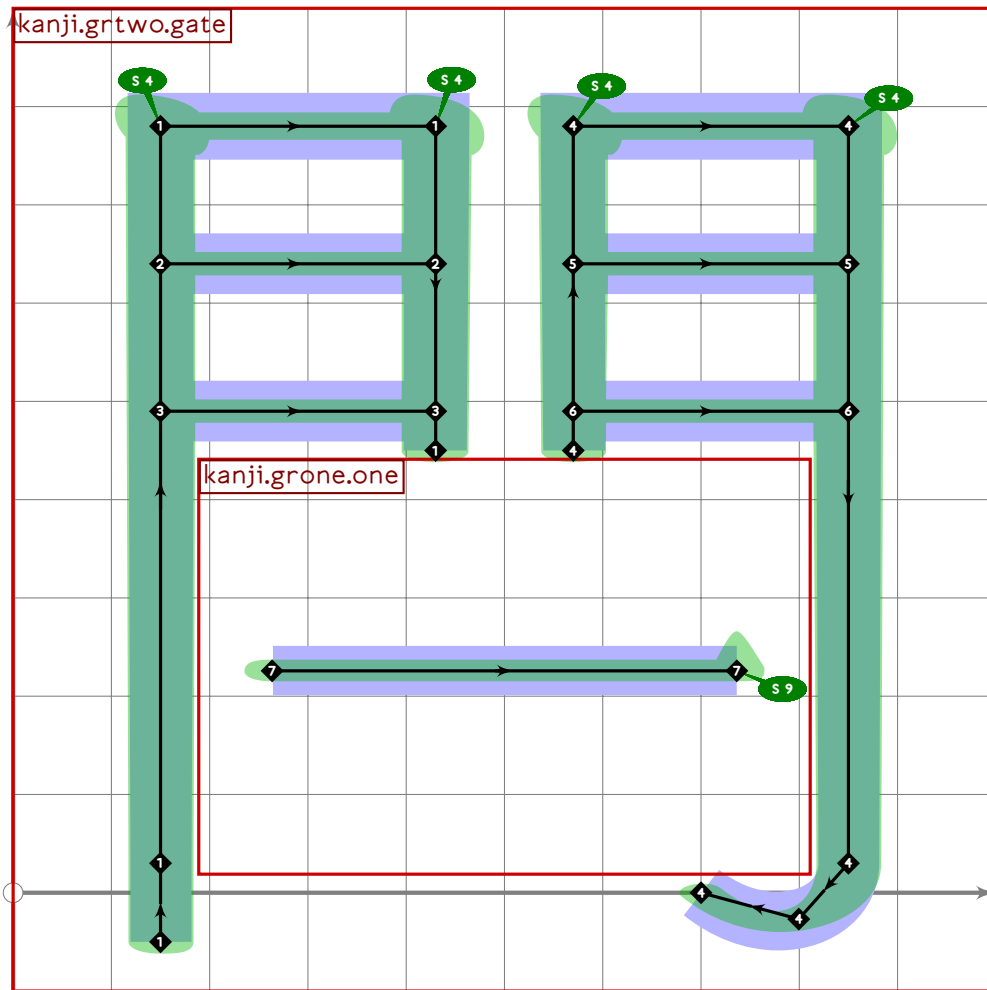
[see page 369]

73 tsu_curve.kanji.grtwo.gate;

74 tsu_render;

75 endtsuglyph;

76

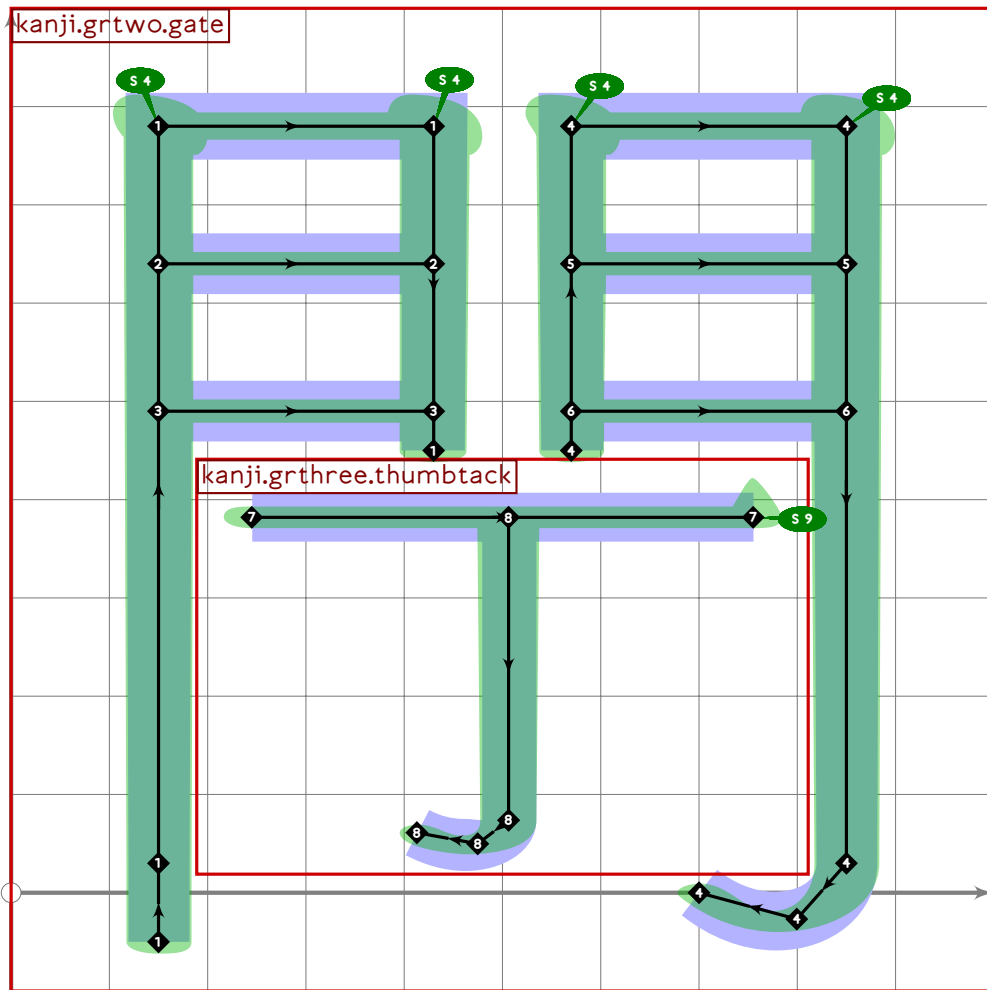


```

77 % extra
78 begint Suglyph("uni9582";130);
79 build_kanji.gate_enclose(tsu_curve.kanji.grone.one);
80 tsu_render;
81 endtsuglyph;
82
83 % sen/hirame "brandish"
84 begint Suglyph("uni9583";131);
85 tsu_curve.kanji.grnine.brandish;
86 tsu_render;
87 endtsuglyph;
88

```

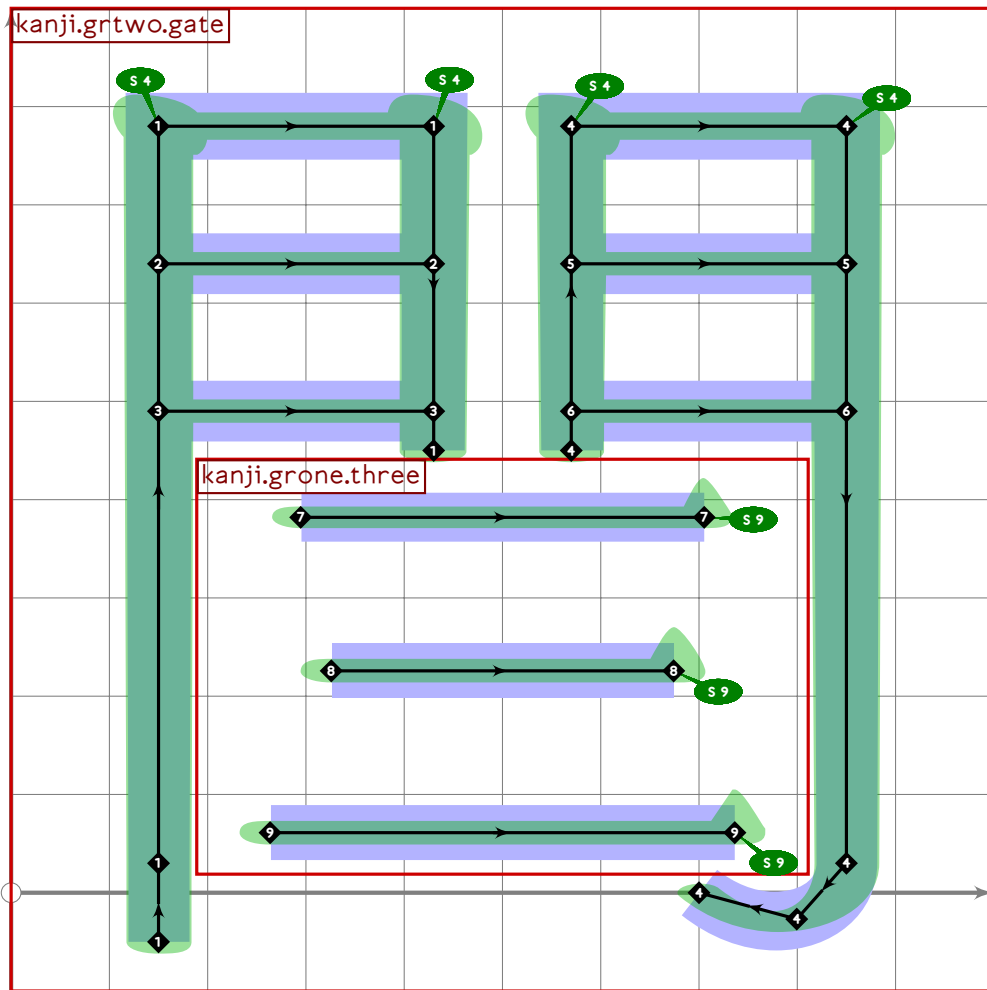
[see page 1345]



```

89 % extra
90 begint Suglyph("uni9585";133);
91   build_kanji.gate_enclose(tsu_curve.kanji.grthree.thumbtack);
92   tsu_render;
93   endtsuglyph;
94

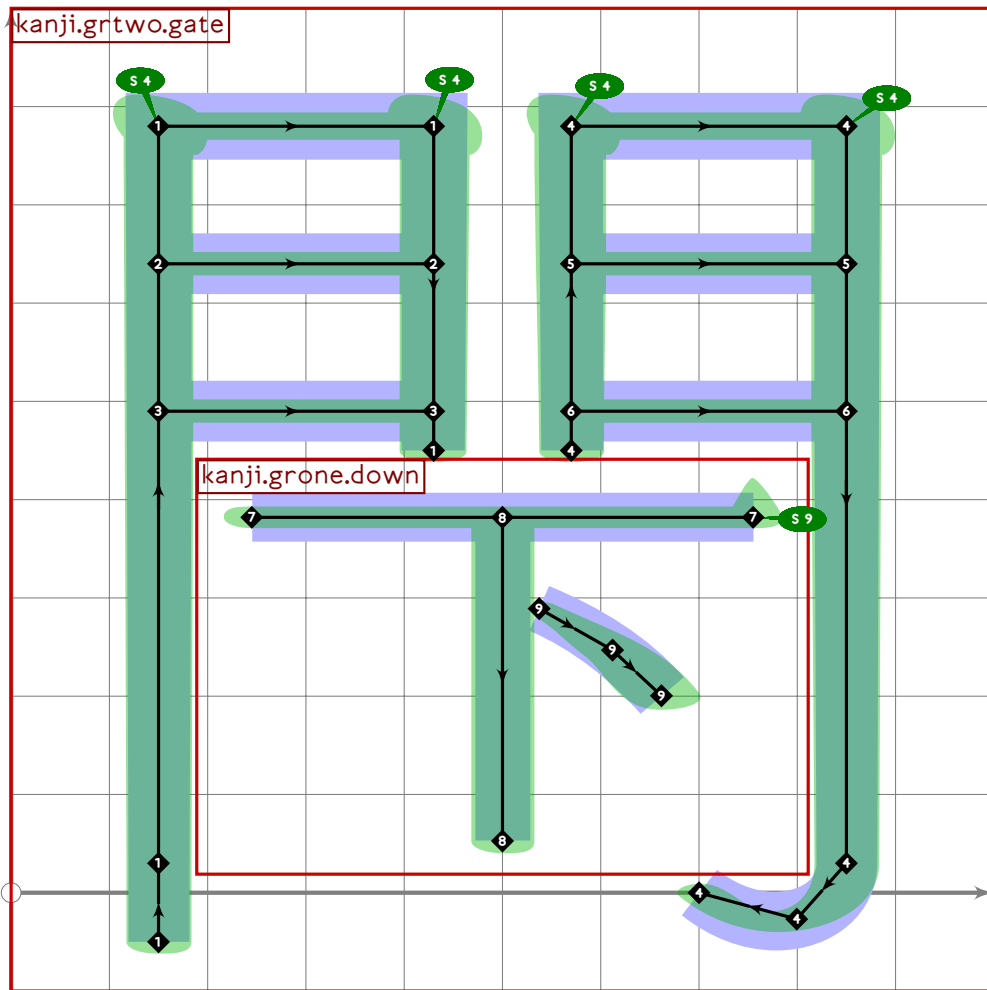
```

```

95 % extra
96 begint Suglyph("uni9586";134);
97   build_kanji.gate_enclose(tsu_curve.kanji.grone.three);
98   tsu_render;
99   endtsuglyph;
100

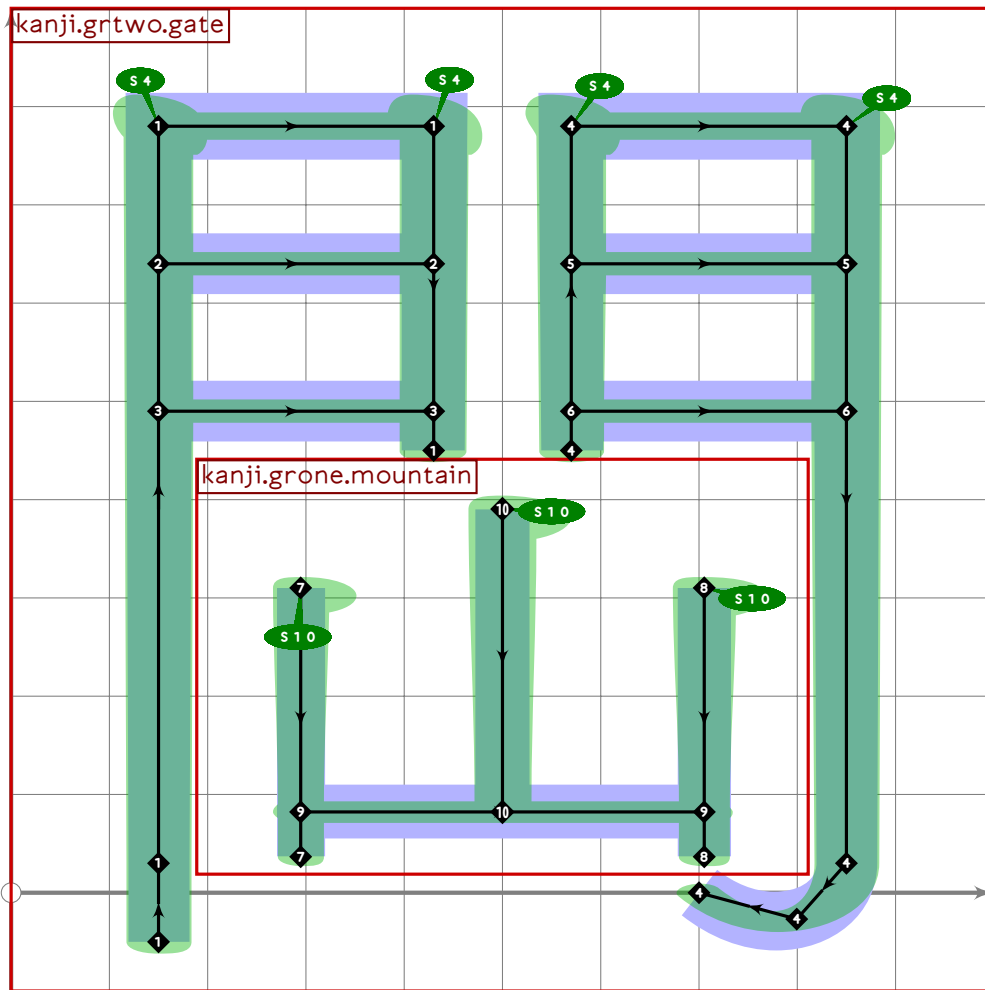
```



```

101 % hei/to "block up"
102 begint Suglyph("uni9587";135);
103   build_kanji.gate_enclose(tsu_curve.kanji.grone.down);
104   tsu_render;
105   endtsuglyph;
106

```



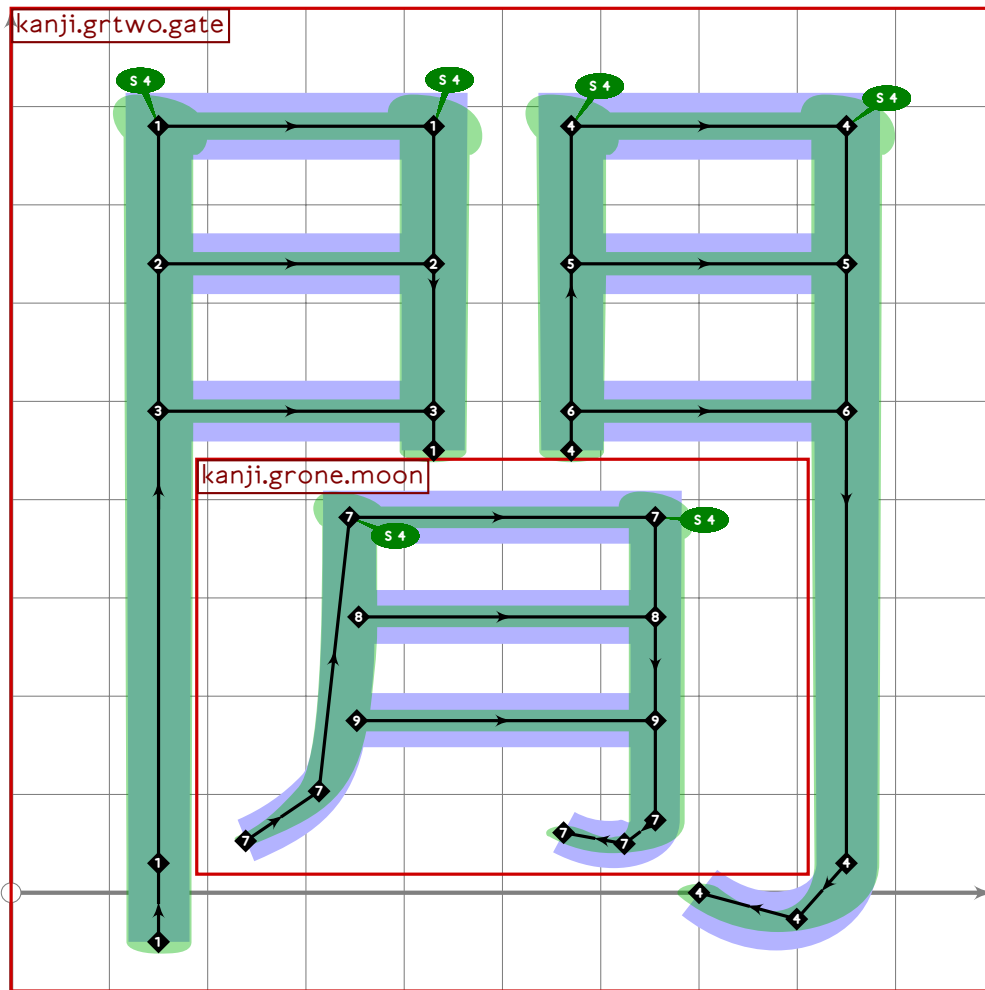
```

107 % tsuka "choke"
108 begintsuglyph("uni958A",138);
109   tsu_curve.kanji.gate_enclose(tsu_curve.kanji.grone.mountain);
110   tsu_render;
111   endtsuglyph;
112
113 % jun/uruu "leap year"
114 begintsuglyph("uni958F",143);
115   tsu_curve.kanji.grnine.leap_year;
116   tsu_render;
117   endtsuglyph;
118
119 % kan/hima "leisure"
120 begintsuglyph("uni9591",145);
121   tsu_curve.kanji.greight.leisure;
122   tsu_render;
123   endtsuglyph;
124

```

[see page 1346]

[see page 1344]

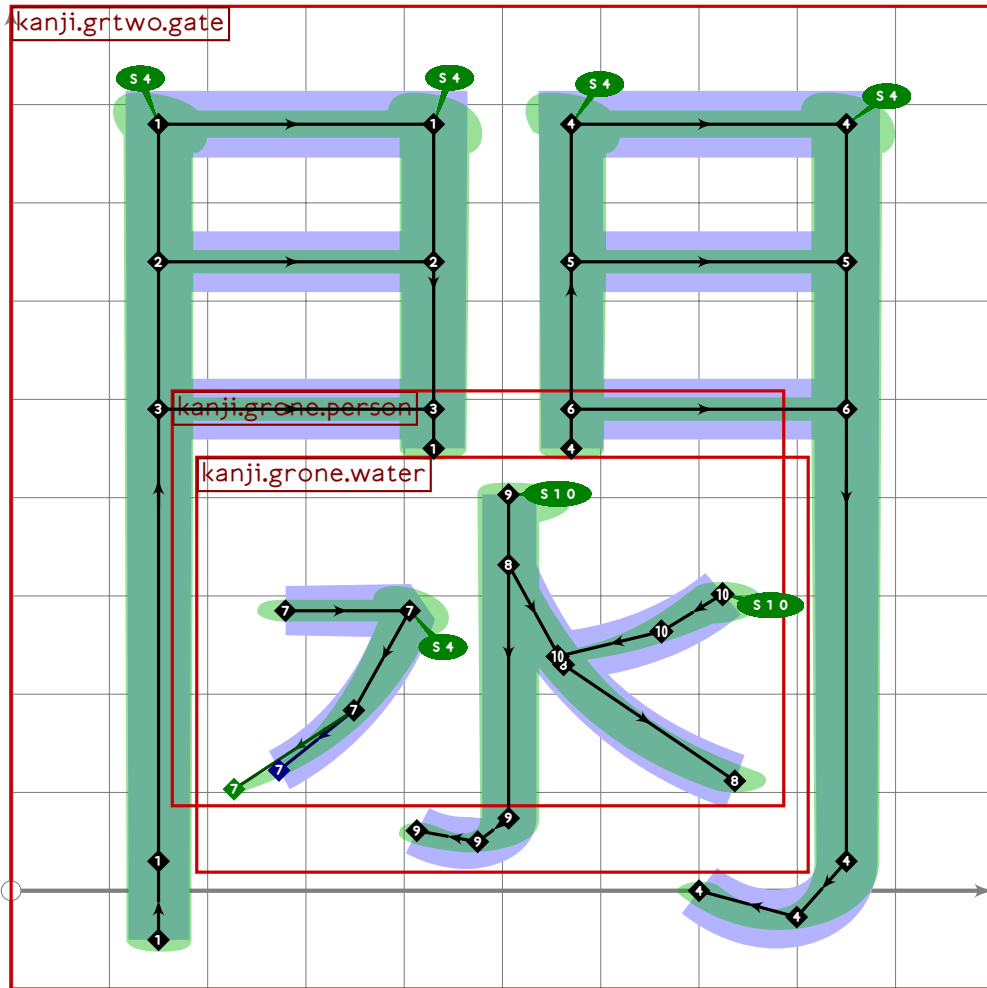


```

125 % extra
126 begint Suglyph("uni9592";146);
127   build_kanji.gate_enclose(tsu_curve.kanji.grone.moon);
128   tsu_render;
129 endtsuglyph;
130
131 % kan/aida "interval"
132 begint Suglyph("uni9593";147);
133   tsu_curve.kanji.grtwo.interval;
134   tsu_render;
135 endtsuglyph;
136

```

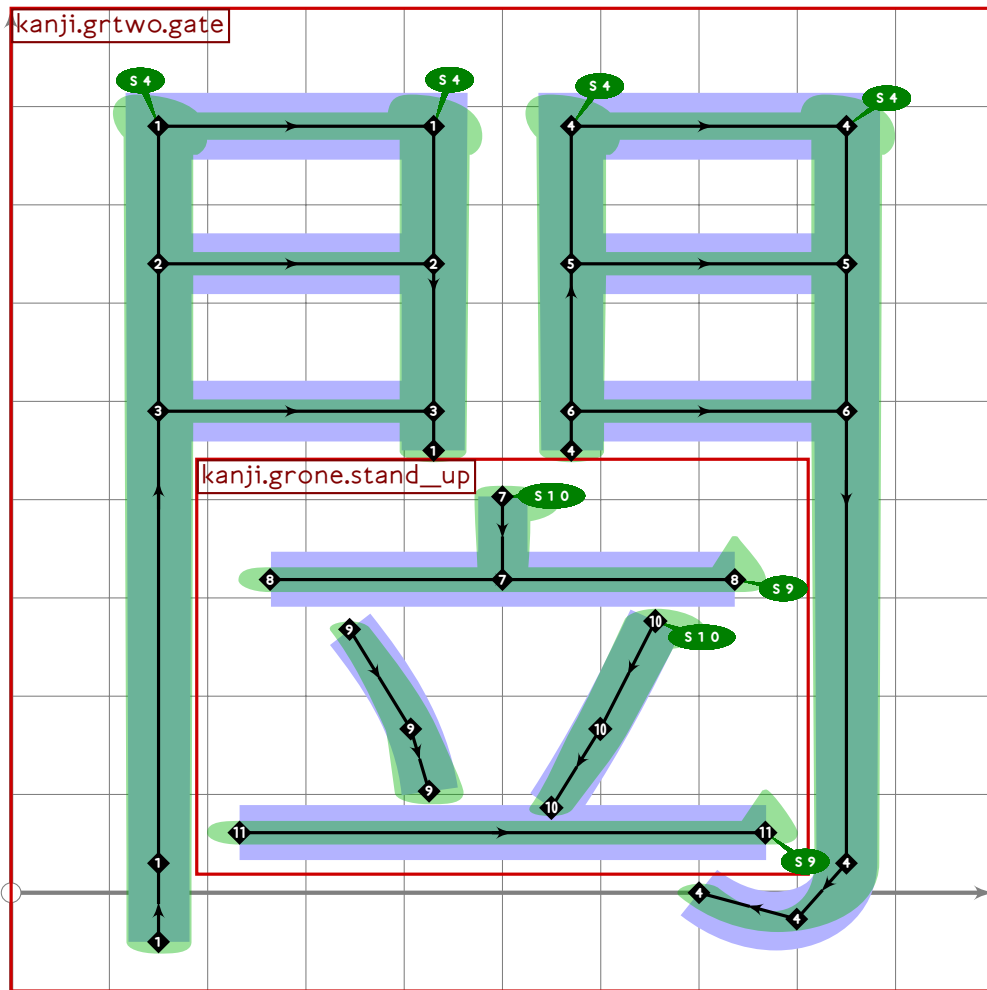
[see page 1344]



```

137 % extra
138 begint Suglyph("uni9596";150);
139 build_kanji.gate_enclose(tsu_curve.kanji.grone.water);
140 tsu_render;
141 endtsuglyph;
142

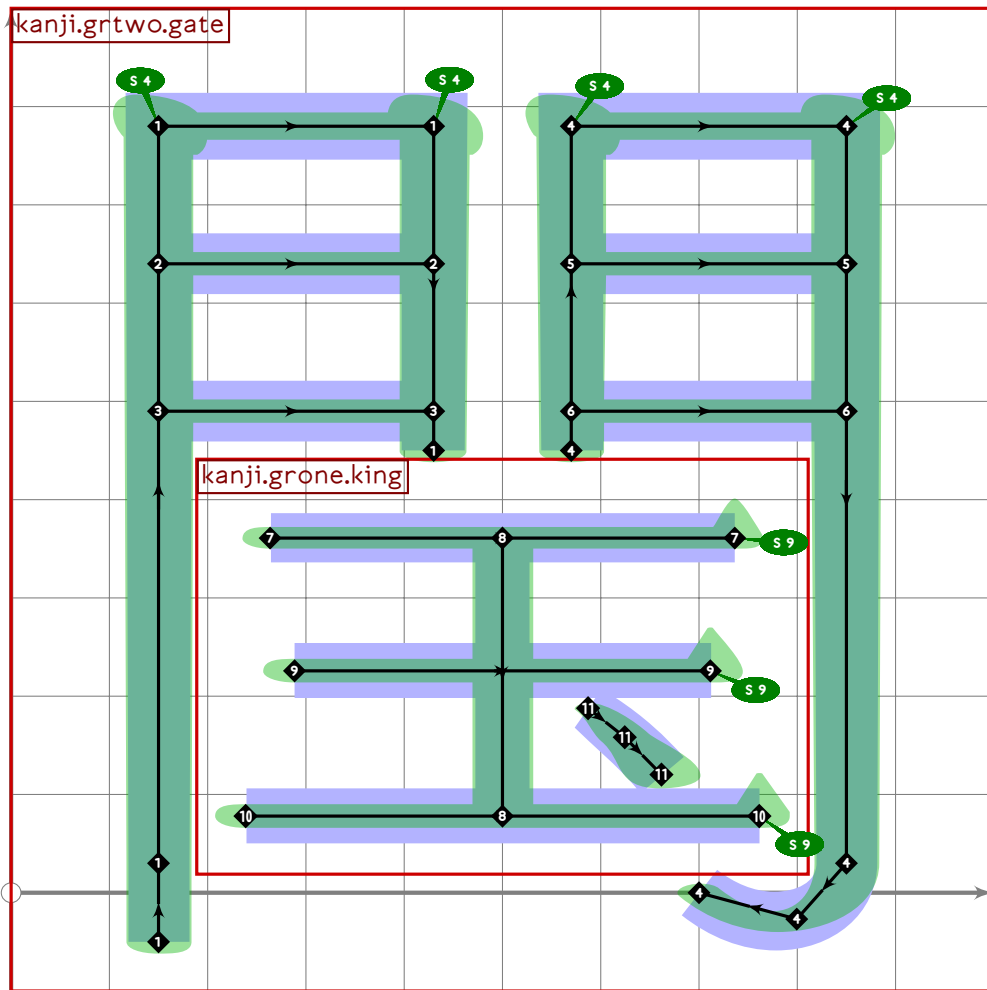
```



```

143 % extra
144 begint Suglyph("uni959A";154);
145 build_kanji.gate_enclose(tsu_curve.kanji.grone.stand_up);
146 tsu_render;
147 endtsuglyph;
148

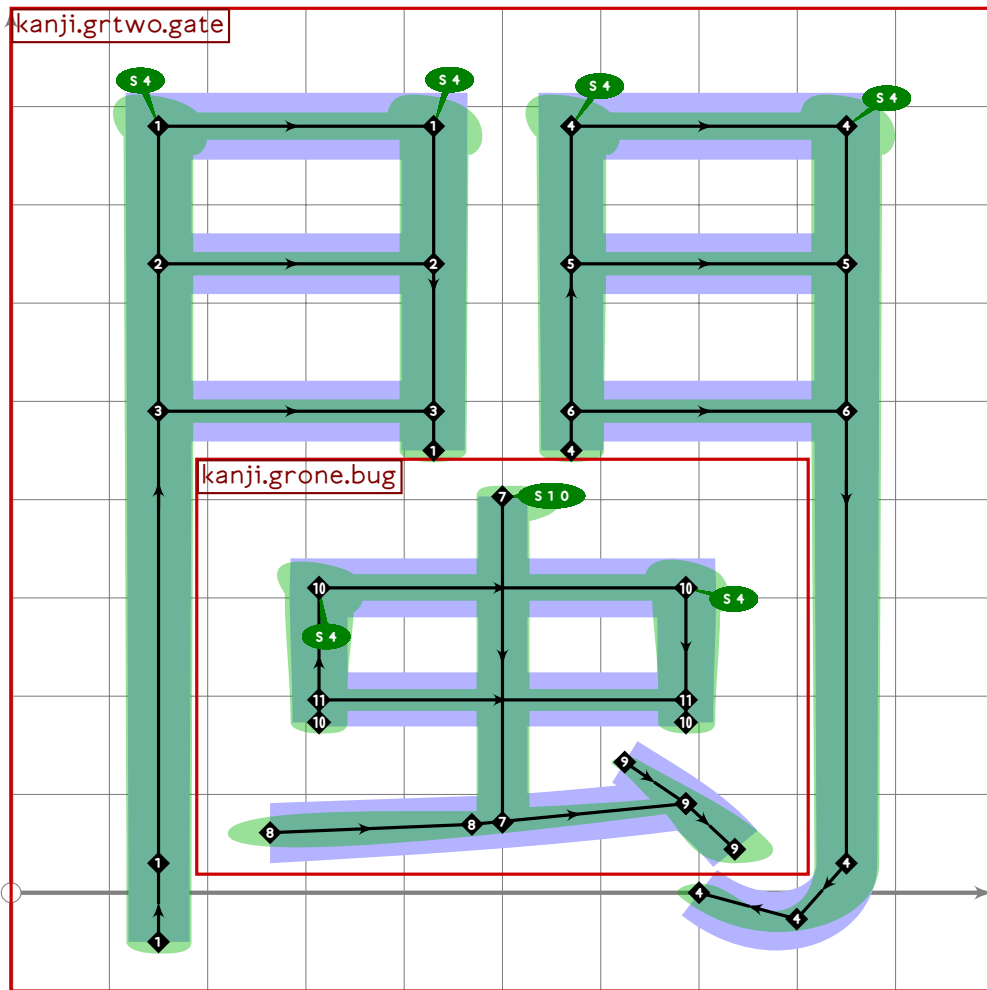
```



```

149 % extra
150 begint Suglyph("uni95A0",160);
151 build_kanji.gate_enclose(tsu_curve.kanji.grone.ball);
152 tsu_render;
153 endtsuglyph;
154

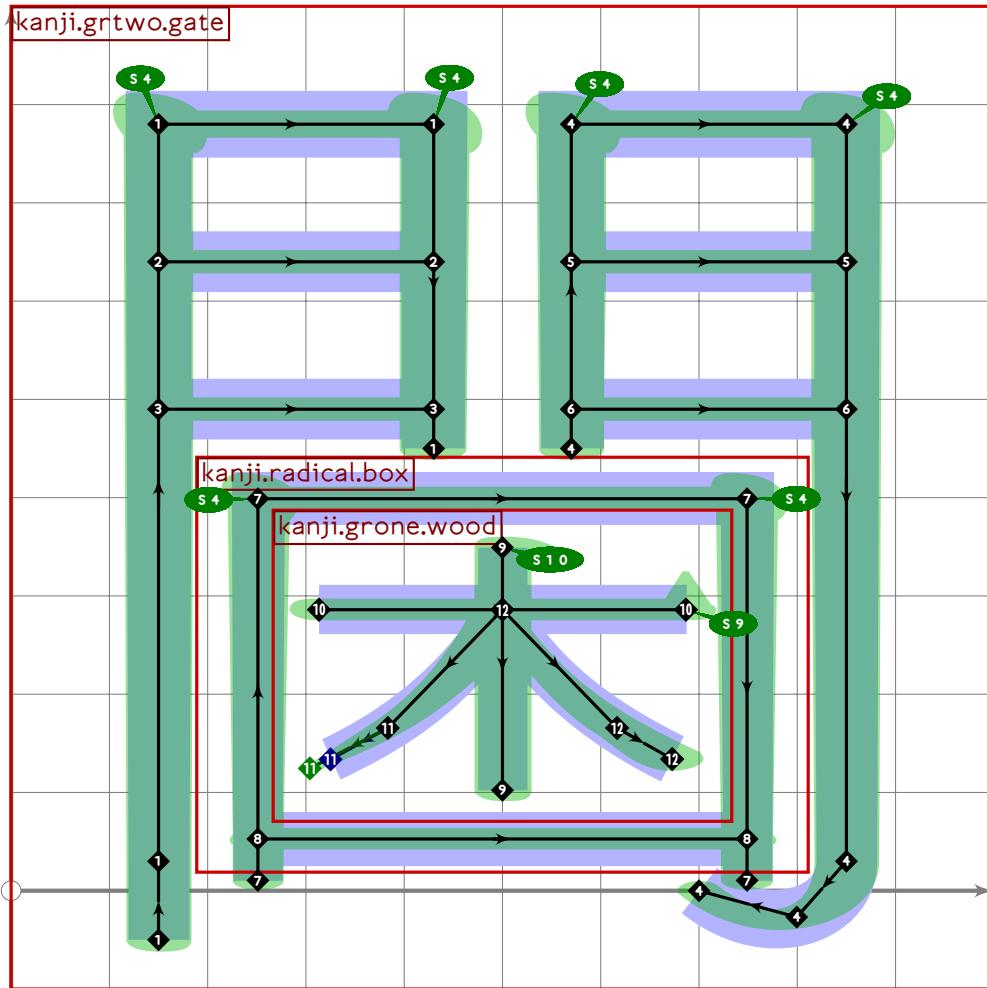
```



```

155 % extra
156 begintuglyph("uni95A9";169);
157 build_kanji.gate_enclose(tsu_curve.kanji.grone.bug);
158 tsu_render;
159 endtsuglyph;
160

```

```

161 % extra
162 begint Suglyph("uni95AB",171);
163   build_kanji.gate_enclose(tsu_curve.kanji.grsix.bothered);
164   tsu_render;
165   endtsuglyph;
166
167 _____
168
169 endfont;
170
171 _____

```

tsuku-96.mp

```
1 %  
2 % Unicode page 96 (Kanji) for Tsukurimashou  
3 % Copyright (C) 2011 Matthew Skala  
4 %
```

```
5-29 [Standard copyright notice]
```

```
30
```

```
31
```

```
32
```

```
33 beginfont
```

```
34
```

```
35 % AUTODEPS
```

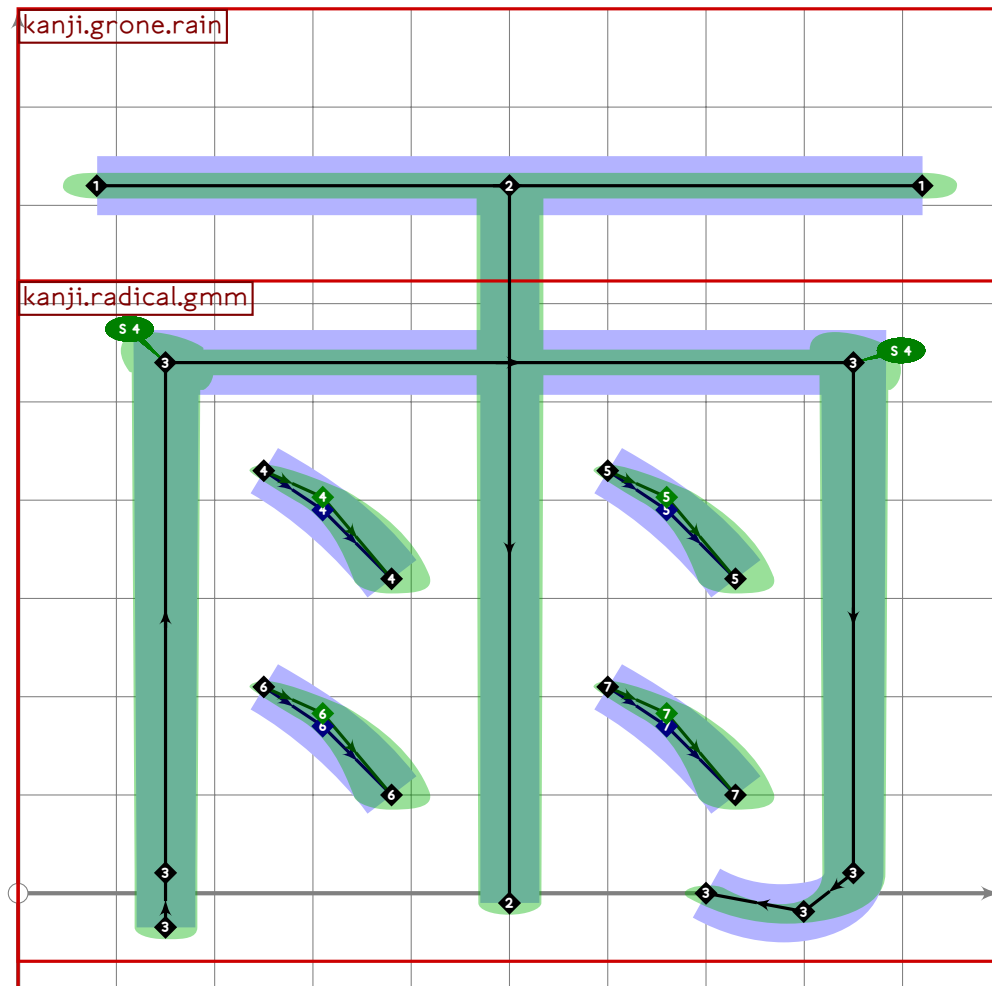
```
36 input buildkanji.mp;
```

```
37 input gradenine.mp;
```

```
38 input radical.mp;
```

```
39
```

```
40
```



```
41
```

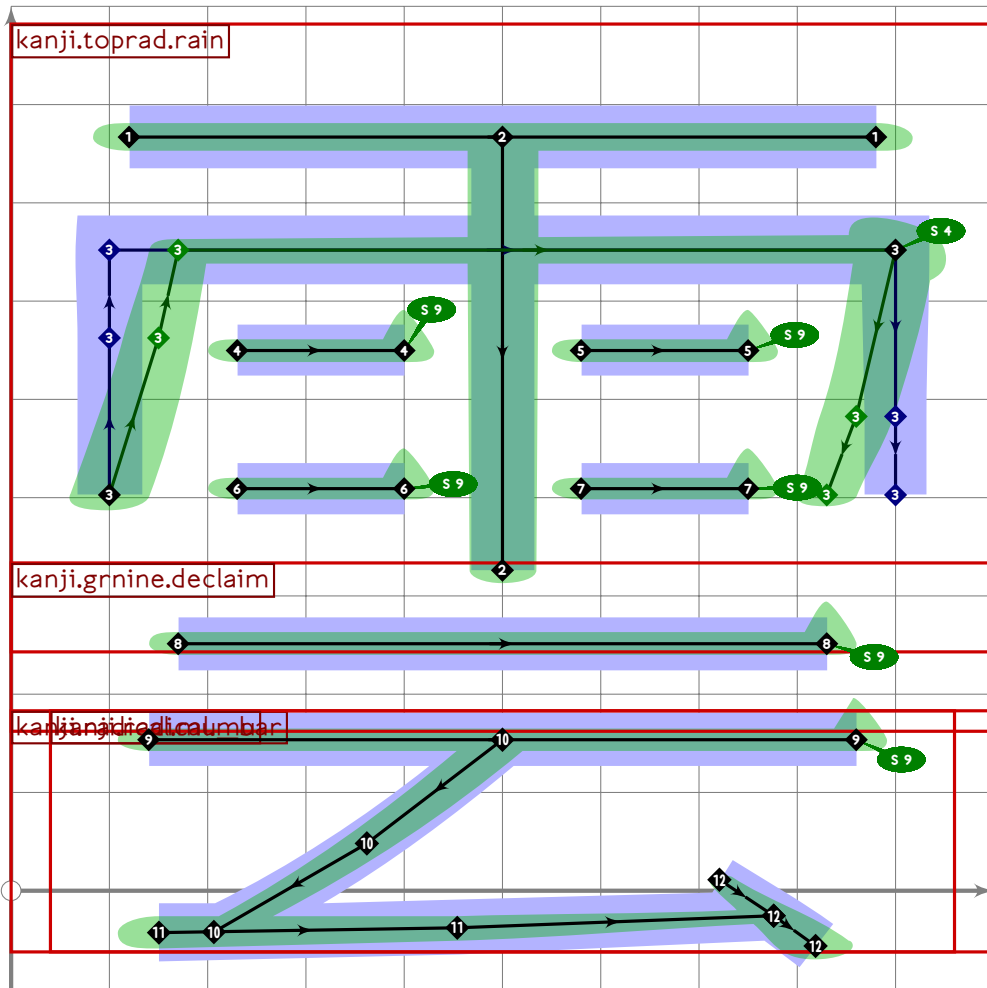
```
42 vardef tsu_curve.kanji.grone.rain =
```

```
43   add_proof_box("kanji.grone.rain");
```

```

44 build_kanji.level(
45   bp[sp]:=(80,720)-(920,720);
46   bq[sp]:=(1.6,1.6)-(1.6,1.6);
47   bo_serif[sp]:=9;
48   bp[sp*1]:=(500,720)-(500,-10);
49   bq[sp*1]:=(1.6,1.6)-(1.5,1.5);
50   sp:=sp*2;
51   tsu_xform(identity yscaled (540/780))(tsu_curve.kanji.radical.gmm);
52   bp[sp]:=(250,430)..tension 1.2..(310,390*13*mincho)..(380,320);
53   bq[sp]:=(1,1)-(1.4,1.4)-(1.7,1.7);
54   bp[sp*1]:=bp[sp] shifted (350,0);
55   bq[sp*1]=bq[sp];
56   bp[sp*2]:=bp[sp] shifted (0,-220);
57   bq[sp*2]=bq[sp];
58   bp[sp*3]:=bp[sp] shifted (350,-220);
59   bq[sp*3]=bq[sp];
60   bo_size[sp]=bo_size[sp*1]=bo_size[sp*2]=bo_size[sp*3]=80;
61   sp:=sp*4;
62 );
63 enddef;
64
65

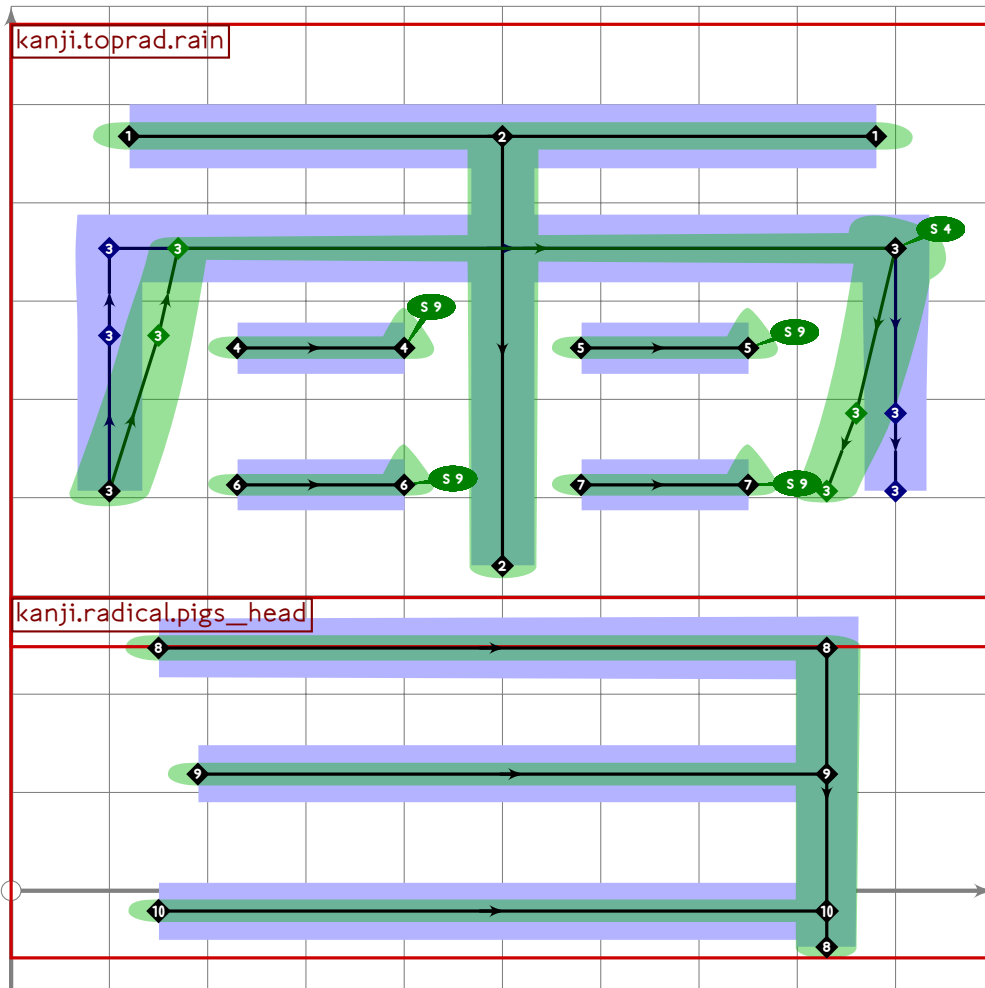
```



```

66
67 vardef tsu_curve.kanji.grtwo.cloud =
68   add_proof_box("kanji.grtwo.cloud");
69   build_kanji.tb(300,50)
70     (tsu_curve.kanji.toprad.rain)
71     (tsu_curve.kanji.grnine.declaim);
72 enddef;

```



```

73
74 vardef tsu_curve.kanji.grtwo.snow =
75   add_proof_box("kanji.grtwo.snow");
76   build_kanji.tb(280,0)
77     (tsu_curve.kanji.toprad.rain)
78     (tsu_curve.kanji.radical.pigs_head);
79 enddef;
80
81
82
83 vardef tsu_curve.kanji.toprad.rain =
84   add_proof_box("kanji.toprad.rain");
85   bp[sp]:=(120,720)-(880,720);
86   bq[sp]:=(1.6,1.6)-(1.6,1.6);
87   bo_serif[sp]:=9;
88   bp[sp*1]:=(500,720)-(500,30);
89   bq[sp*1]:=(1.6,1.6)-(1.5,1.5);
90   bp[sp*2]:=(100,150)..(100+50*mincho,400)..(100+70*mincho,540)-
91     (900,540)..(900-40*mincho,275)..(900-70*mincho,150);
92   bq[sp*2]:=(1.7,1.7)-(1.6,1.6)-(1.4,1.4)-
93     (1.7,1.7)-(1.6,1.6)-(1.4,1.4);

```

```

94 bo_tip[sp+2][2]:=1;
95 bo_tip[sp+2][3]:=1;
96 bo_serif[sp+2][3]:=4;
97 bp[sp+3]:=(230,380)..(400,380);
98 bq[sp+3]:=(1.6,1.6)-(1.6,1.6);
99 bo_serif[sp+3][1]:=9;
100 bp[sp+4]:=bp[sp+3] shifted (350,0);
101 bq[sp+4]=bq[sp+3];
102 bo_serif[sp+4][1]:=9;
103 bp[sp+5]:=bp[sp+3] shifted (0,-220);
104 bq[sp+5]=bq[sp+3];
105 bo_serif[sp+5][1]:=9;
106 bp[sp+6]:=bp[sp+3] shifted (350,-220);
107 bq[sp+6]=bq[sp+3];
108 bo_serif[sp+6][1]:=9;
109 bo_size[sp+3]=bo_size[sp+4]=bo_size[sp+5]=bo_size[sp+6]=80;
110 sp:=sp+7;
111 endif;
112
113 

---


114
115 % u/ame "rain"
116 begintsuglyph("uni96E8",232); [see page 1358]
117 tsu_curve.kanji.grone.rain;
118 tsu_render;
119 endtsuglyph;
120
121 % satsu/yuki "snow"
122 begintsuglyph("uni96EA",234); [see page 1361]
123 tsu_curve.kanji.grtwo.snow;
124 tsu_render;
125 endtsuglyph;
126
127 % un/kumo "cloud"
128 begintsuglyph("uni96F2",242); [see page 1360]
129 tsu_curve.kanji.grtwo.cloud;
130 tsu_render;
131 endtsuglyph;
132
133 

---


134
135 endfont;
136
137 

---



```

tsuku-97.mp

```
1 %  
2 % Unicode page 97 (Kanji) for Tsukurimashou  
3 % Copyright (C) 2011 Matthew Skala  
4 %
```

```
5-29 [Standard copyright notice]
```

```
30
```

```
31
```

```
32
```

```
33 beginfont
```

```
34
```

```
35 % AUTODEPS
```

```
36 input bottomrad.mp;
```

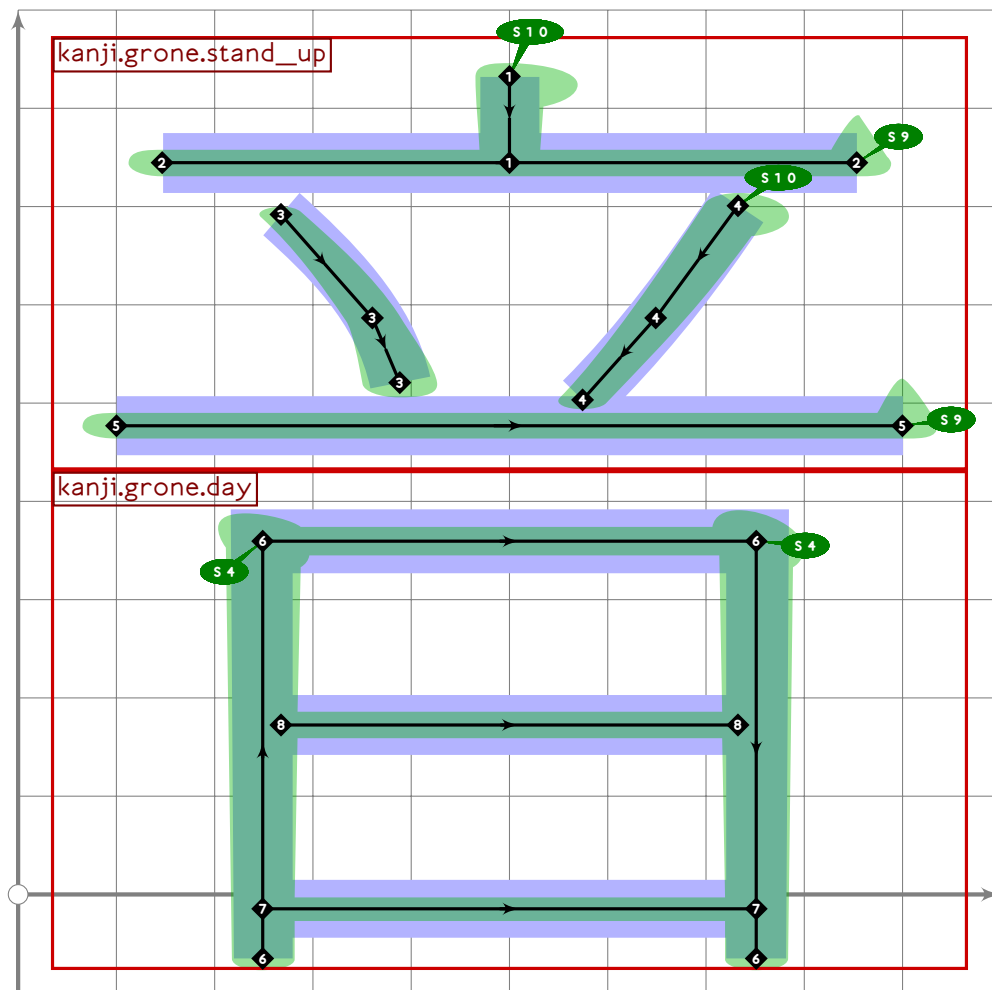
```
37 input buildkanji.mp;
```

```
38 input gradeone.mp;
```

```
39 input toprad.mp;
```

```
40
```

```
41
```



```
42
```

```
43 vardef tsu_curve.kanji.grone.noise =
```

```
44 add_proof_box("kanji.grone.noise");
45 build_kanji.level(build_kanji.sscale(xscaled 0.93)(
46   build_kanji.tb(430;50)
47   (tsu_curve.kanji.grone.stand_up)
48   (tsu_curve.kanji.grone.day)));
49 enddef;
50
51 

---


52
53 % ao "blue"
54 begintsuglyph("uni9752";82); [see page 317]
55   tsu_curve.kanji.grone.blue;
56   tsu_render;
57 endtsuglyph;
58
59 % oto/on "noise"
60 begintsuglyph("uni97F3";243); [see page 1363]
61   tsu_curve.kanji.grone.noise;
62   tsu_render;
63 endtsuglyph;
64
65 

---


66
67 endfont;
68
69 

---


```


tsuku-9a.mp

```
1 %  
2 % Unicode page 9a (Kanji) for Tsukurimashou  
3 % Copyright (C) 2011 Matthew Skala  
4 %
```

```
5-29 [Standard copyright notice]
```

```
30
```

```
31
```

```
32
```

```
33 beginfont
```

```
34
```

```
35 % AUTODEPS
```

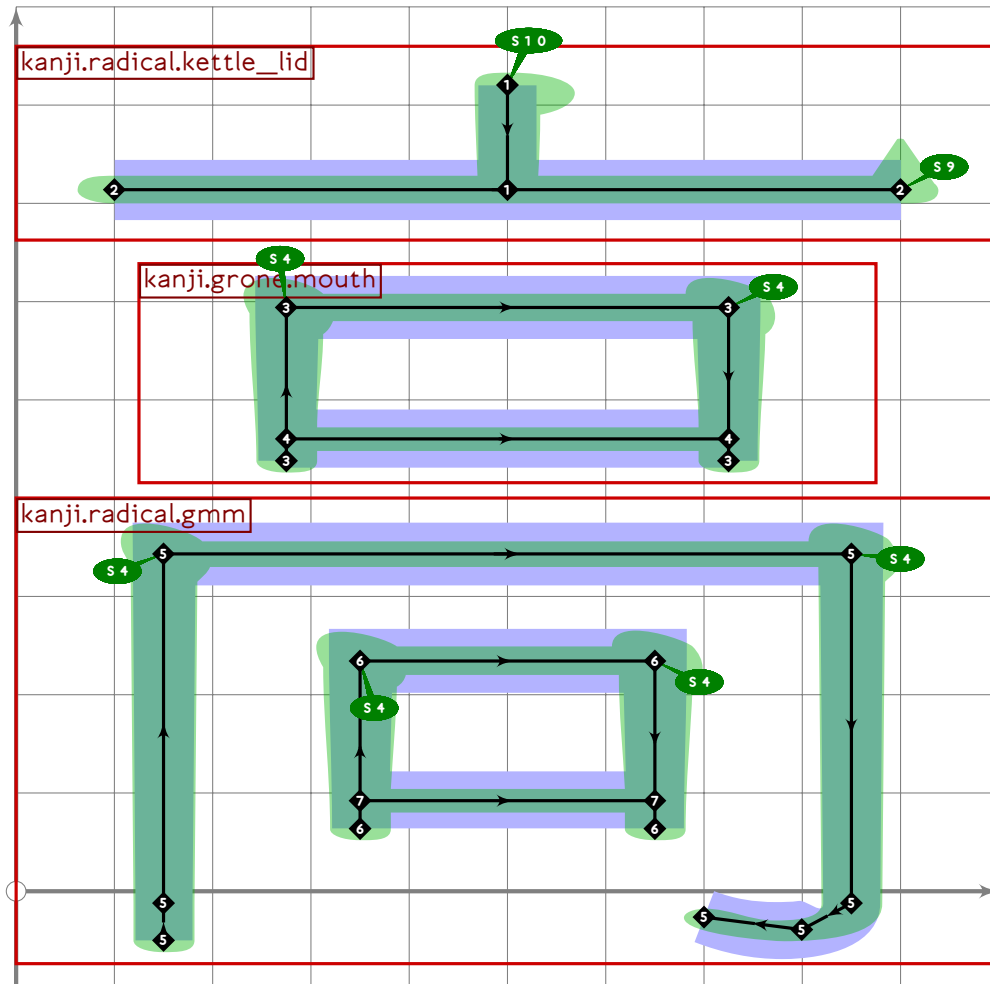
```
36 input buildkanji.mp;
```

```
37 input gradeone.mp;
```

```
38 input radical.mp;
```

```
39
```

```
40
```



```
41
```

```
42 vardef tsu_curve.kanji.grtwo.high =
```

```
43   add_proof_box("kanji.grtwo.high");
```

```

44 build_kanji.level(build_kanji.tb(650,-45)
45   (tsu_curve.kanji.radical.kettle_lid)
46   (build_kanji.tb(550;67)
47     (build_kanji.sscale(xscaled 0.75)(tsu_curve.kanji.grone.mouth))
48     (tsu_curve.kanji.radical.gmm;
49       build_kanji.box((350,550),(650,250));
50     ));
51 enddef;
52
53 

---


54
55 % kou/taka "high"
56 begint Suglyph("uni9AD8",216); [see page 1365]
57   tsu_curve.kanji.grtwo.high;
58   tsu_render;
59 endtsuglyph;
60
61 

---


62
63 endfont;
64
65 

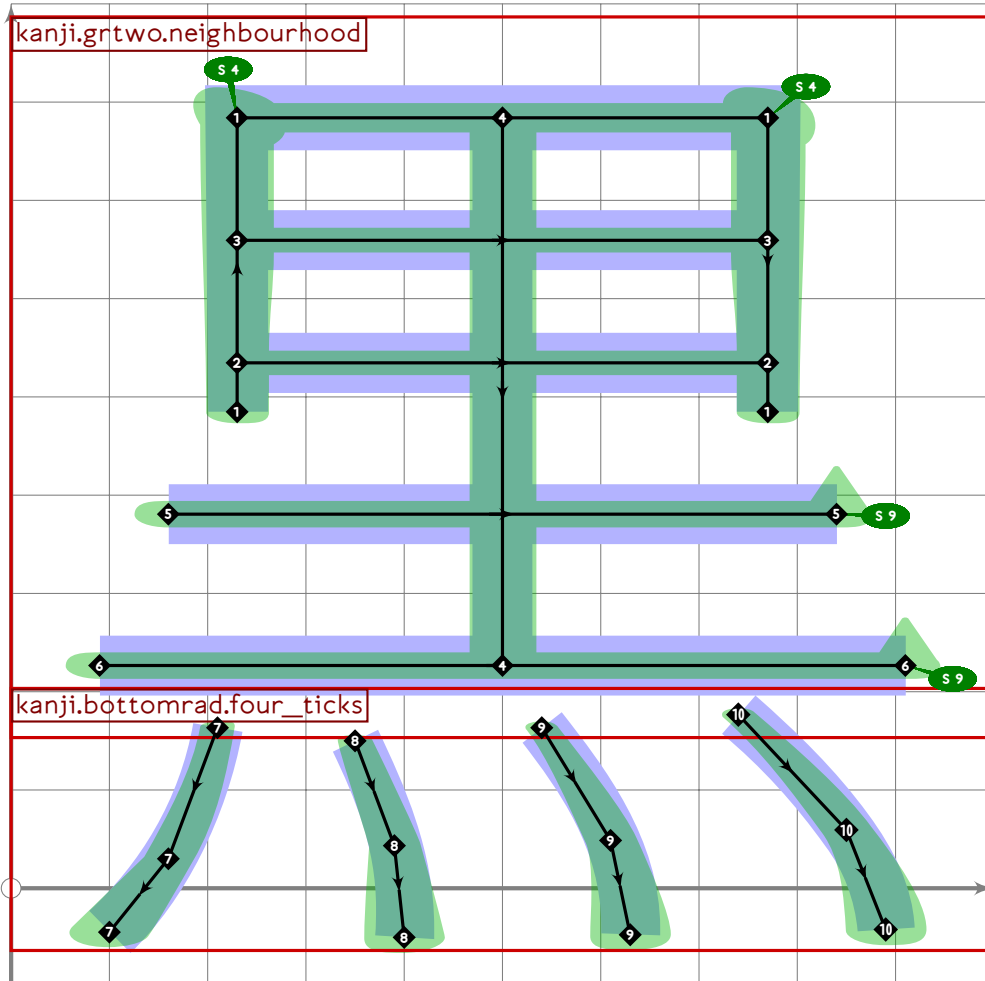
---



```

tsuku-9e.mp

```
1 %  
2 % Unicode page 9e (Kanji) for Tsukurimashou  
3 % Copyright (C) 2011 Matthew Skala  
4 %  
5-29 [Standard copyright notice]  
30  
31 _____  
32  
33 beginfont  
34  
35 % AUTODEPS  
36 input bottomrad.mp;  
37 input buildkanji.mp;  
38 input gradetwo.mp;  
39  
40 _____
```



```
41  
42 vardef tsu_curve.kanji.grtwo.black =  
43   add_proof_box("kanji.grtwo.black");
```

```
44 build_kanji.tb(190,0)
45   (tsu_curve.kanji.grtwo.neighbourhood)
46   (tsu_curve.kanji.bottomrad.four_ticks);
47 enddef;
48
49 

---


50
51 % koku/kuro "black"
52 begint Suglyph("uni9ED2";210); [see page 1367]
53   tsu_curve.kanji.grtwo.black;
54   tsu_render;
55 endtsuglyph;
56
57 

---


58
59 endfont;
60
61 

---


```

Part V

U+A000 to U+10FFFF

tsuku-f7.mp

```
1 %
2 % Unicode page F7 (Adobe PUA) for Tsukurimashou
3 % Copyright (C) 2011 Matthew Skala
4 %
5-29 [Standard copyright notice]
30
31 

---

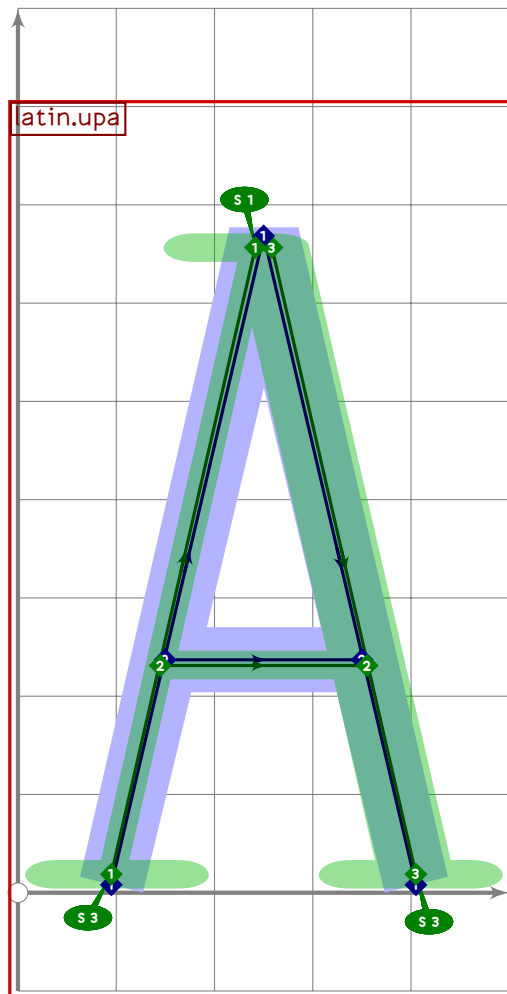

32
33 beginfont
34
35 input latin-intro.mp;
36
37 % AUTODEPS
38 input latin.mp;
39
40 latin_wide_sc_top:=0.4[latin_wide_xheight,latin_wide_top];
41
42 transform tsu_xf.sc;
43
44 (0,latin_wide_low_h) transformed tsu_xf.sc = (20,latin_wide_low_h);
45 (1000,latin_wide_low_h) transformed tsu_xf.sc = (980,latin_wide_low_h);
46 (0,latin_wide_top) transformed tsu_xf.sc = (20,latin_wide_sc_top);
47
48 

---

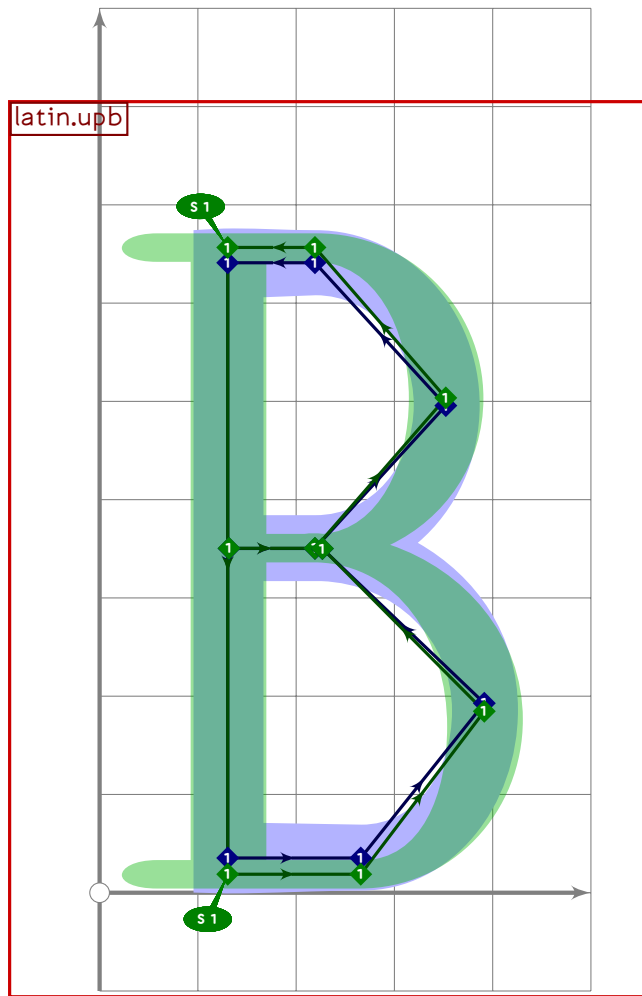

49
```

Latin Small Caps

```
50 % LATIN SMALL CAPS
51
52 % WARNING changing rescale setting
53 tsu_rescale_half;
54
```



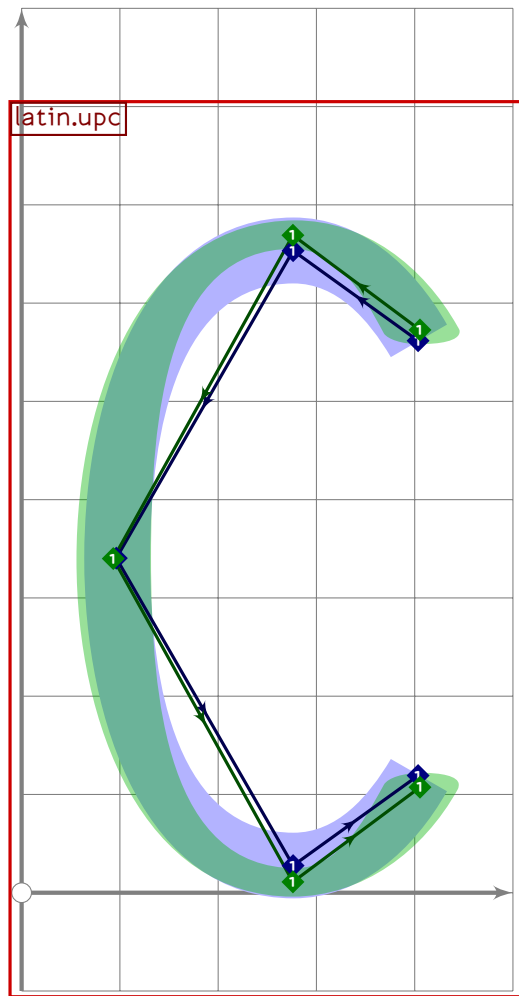
```
55 % A
56 beginsuglyph("uniF761";97);
57 tsu_xform(tsu_xf.sc)(tsu_curve.latin.upa);
58 tsu_render;
59 endsuglyph;
60
```



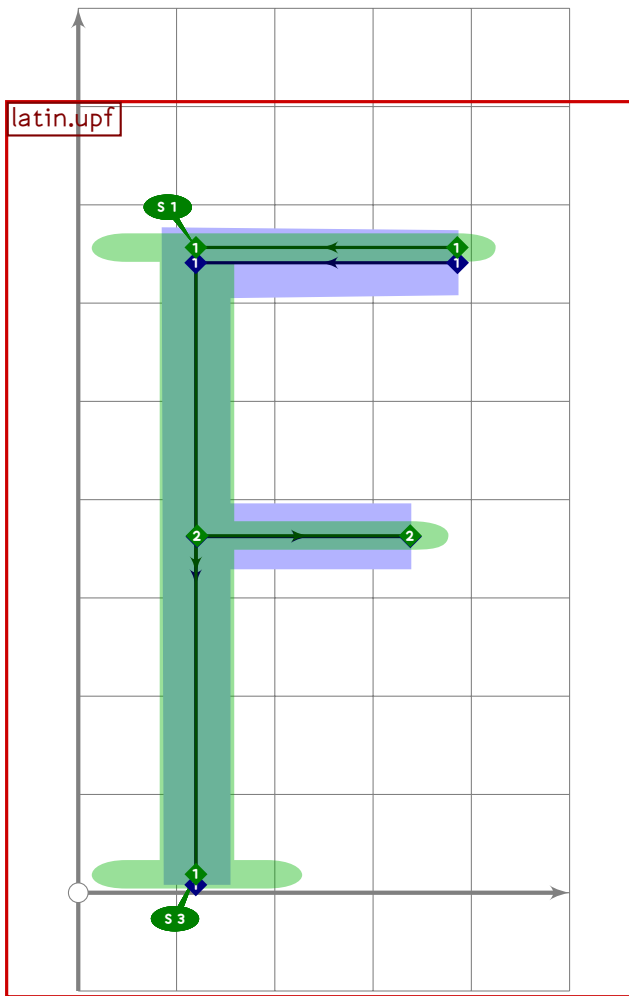
```

61 % B
62 beginsuglyph("uniF762";98);
63   tsu_xform(tsu_xf.sc)(tsu_curve.latin.upb);
64   tsu_render;
65 endsuglyph;
66

```

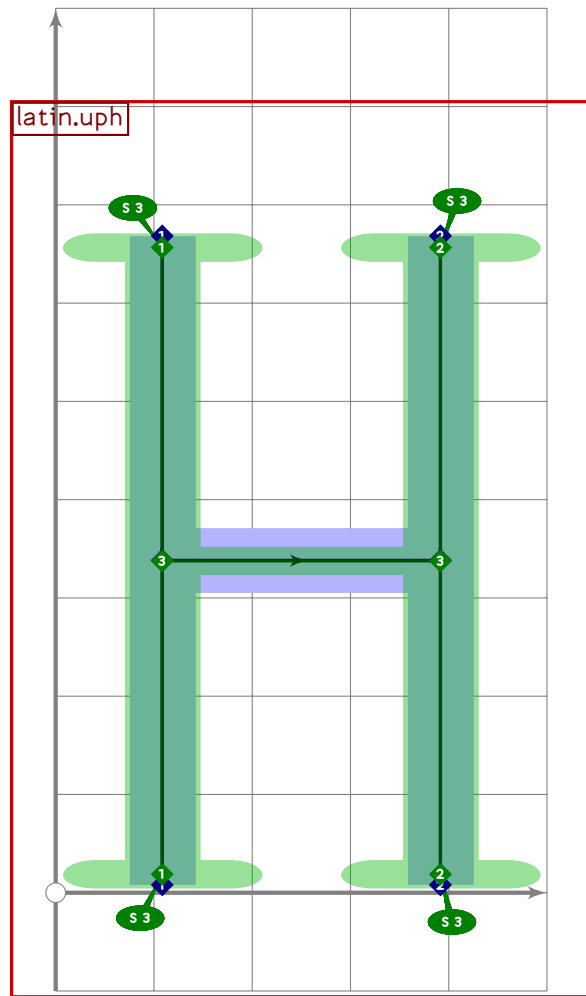
```
67 % C
68 beginsuglyph("uniF763";99);
69 tsu_xform(tsu_xf.sc)(tsu_curve.latin.upc);
70 tsu_render;
71 endsuglyph;
72
```

```

85 % F
86 beginsuglyph("uniF766";102);
87   tsu_xform(tsu_xf.sc)(tsu_curve.latin.upf);
88   tsu_render;
89 endsuglyph;
90

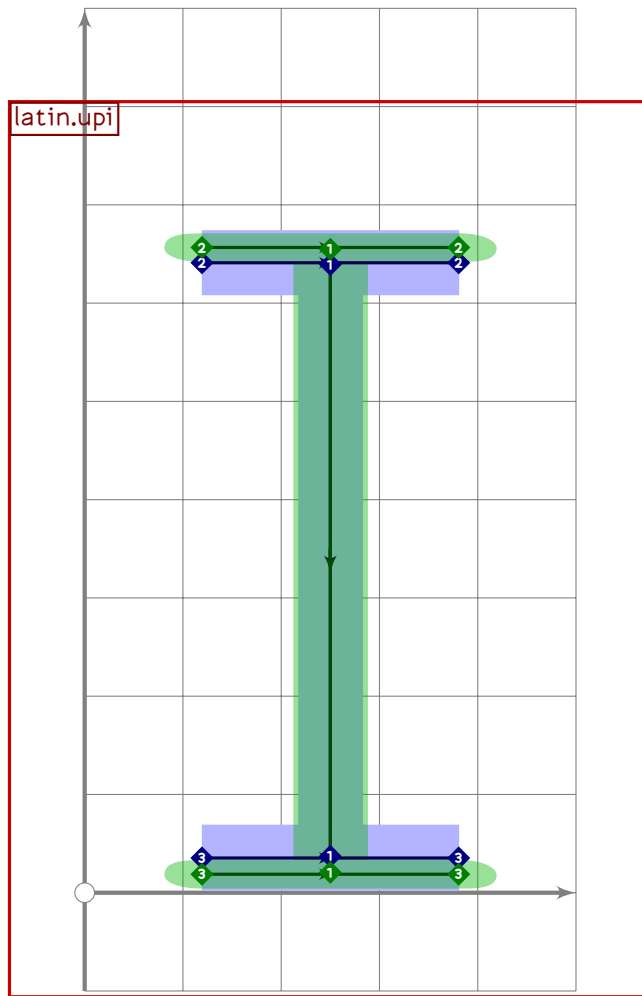
```

```

97 % H
98 beginsuglyph("uniF768";104);
99   tsu_xform(tsu_xf.sc)(tsu_curve.latin.uph);
100   tsu_render;
101   endsuglyph;
102

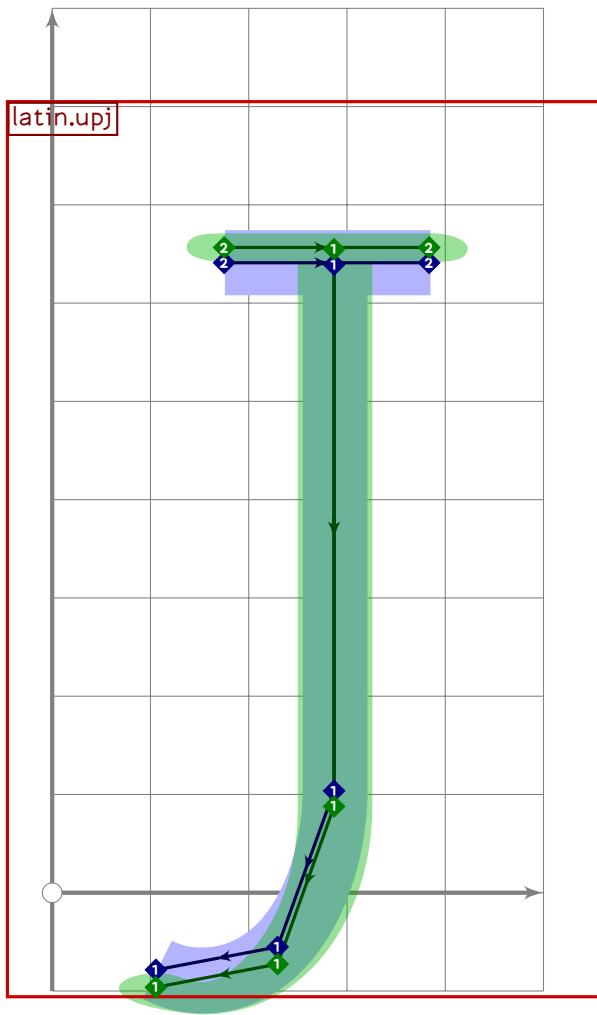
```



```

103 % I
104 beginsuglyph("uniF769";105);
105   tsu_xform(tsu_xf.sc)(tsu_curve.latin.upi);
106   tsu_render;
107 endsuglyph;
108

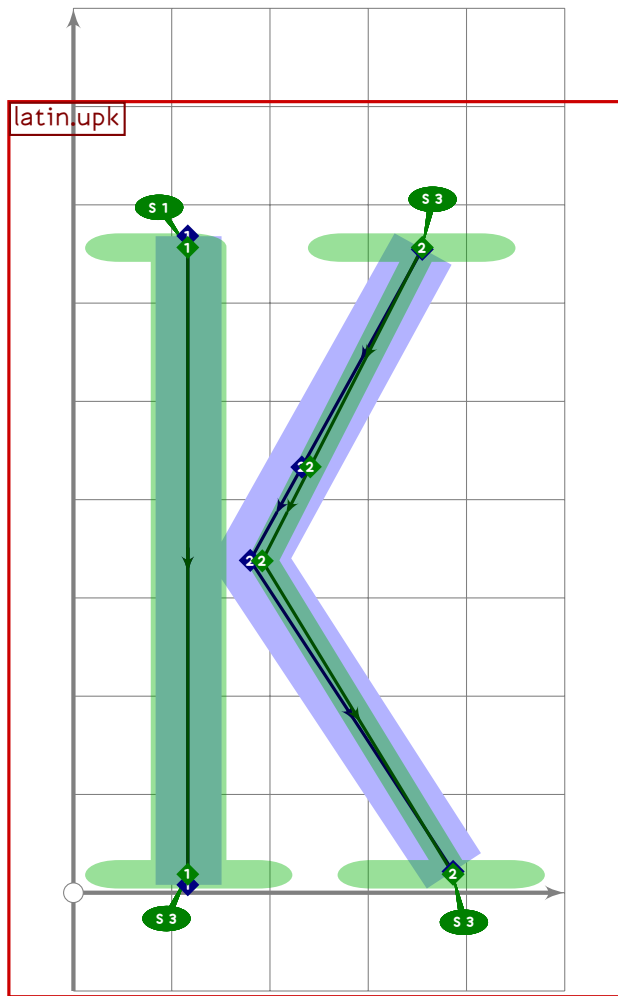
```



```

109 % J
110 beginsuglyph("uniF76A";106);
111 tsu_xform(tsu_xf.sc)(tsu_curve.latin.upj);
112 tsu_render;
113 endsuglyph;
114

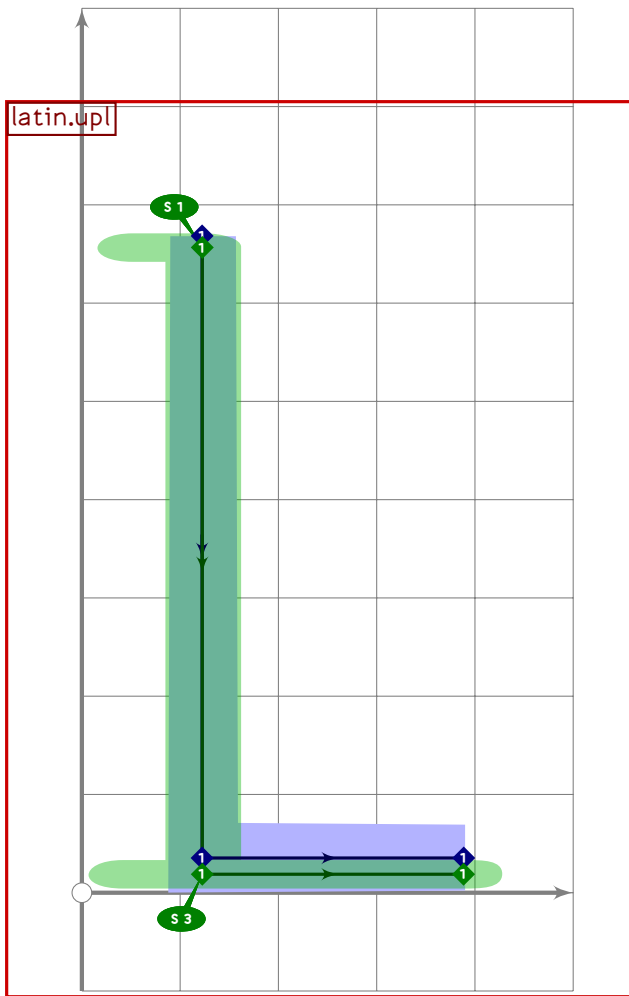
```

```

115 % K
116 beginsuglyph("uniF76B";107);
117   tsu_xform(tsu_xf.sc)(tsu_curve.latin.upk);
118   tsu_render;
119 endsuglyph;
120

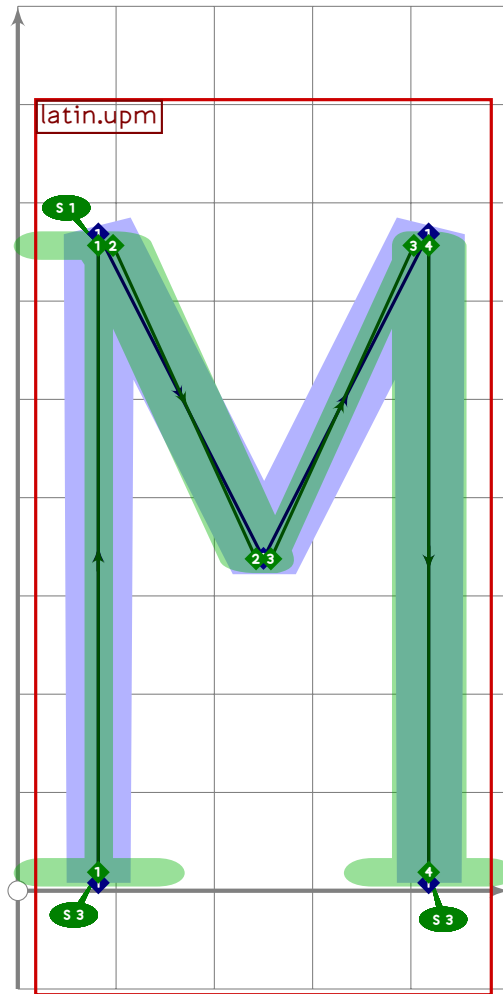
```



```

121 % L
122 beginsuglyph("uniF76C";108);
123   tsu_xform(tsu_xf.sc)(tsu_curve.latin.upl);
124   tsu_render;
125 endsuglyph;
126

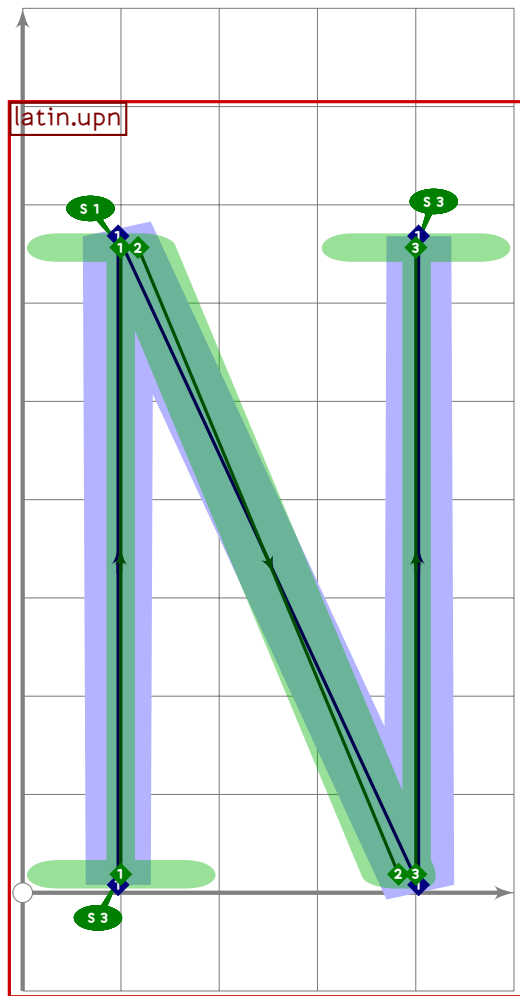
```



```

127 % M
128 beginsuglyph("uniF76D";109);
129   tsu_xform(tsu_xf.sc)(tsu_curve.latin.upm);
130   tsu_render;
131 endsuglyph;
132

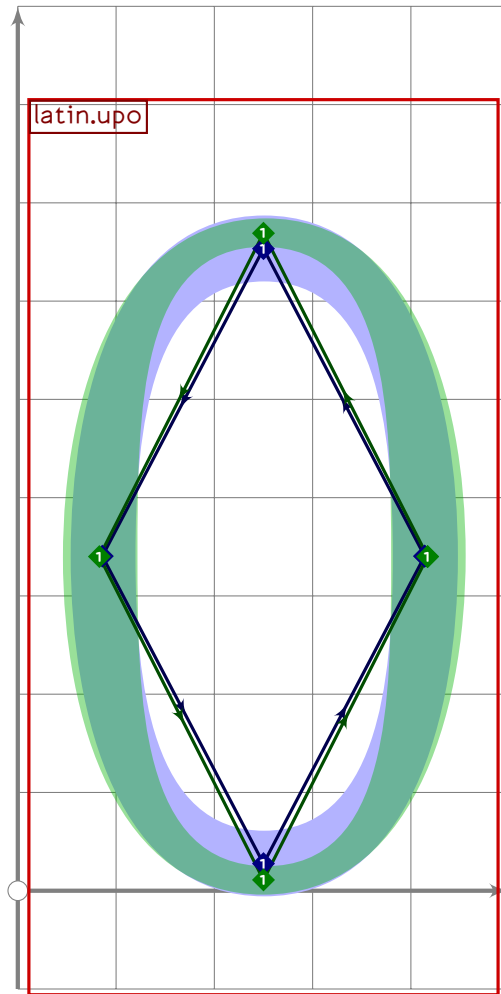
```



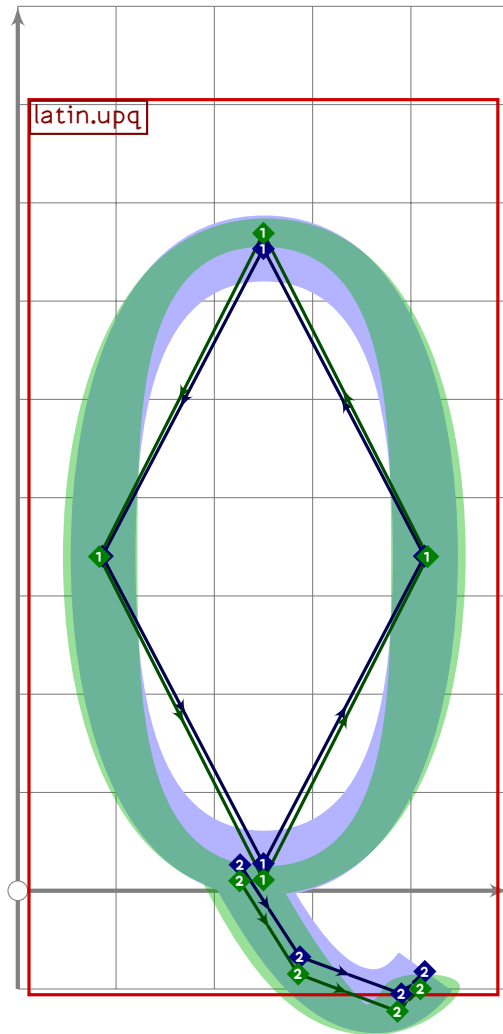
```

133 % N
134 beginsuglyph("uniF76E",110);
135   tsu_xform(tsu_xf.sc)(tsu_curve.latin.upn);
136   tsu_render;
137 endsuglyph;
138

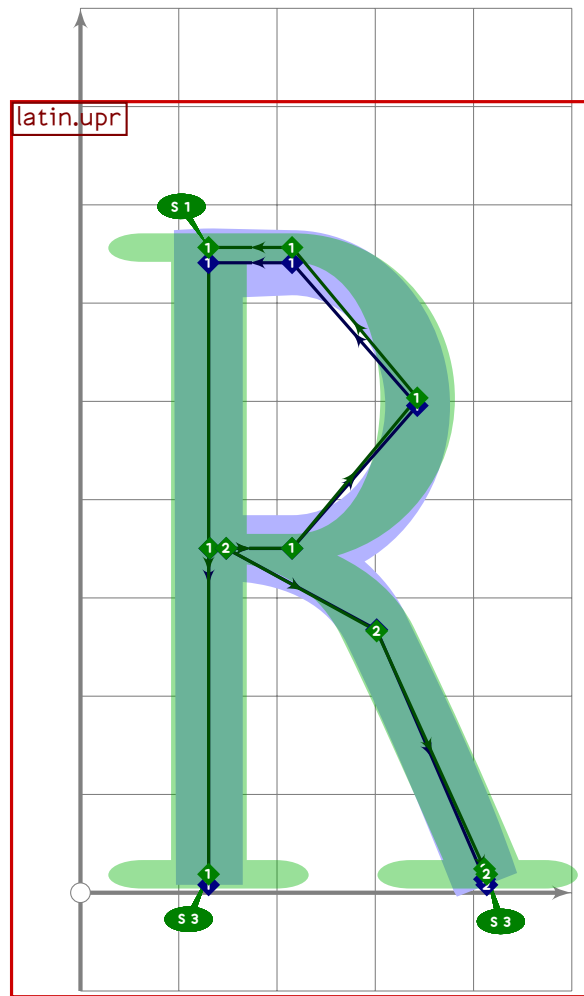
```



```
139 % ○  
140 beginsuglyph("uniF76F";111);  
141   tsu_xform(tsu_xf.sc)(tsu_curve.latin.upo);  
142   tsu_render;  
143 endsuglyph;  
144
```

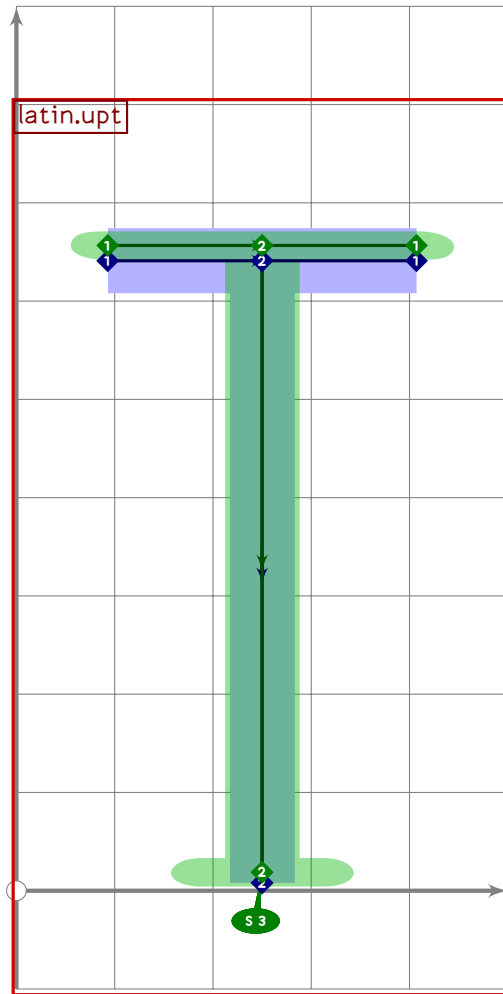
```
151 % Q
152 beginsuglyph("uniF771";113);
153 tsu_xform(tsu_xf.sc)(tsu_curve.latin.upq);
154 tsu_render;
155 endsuglyph;
156
```



```

157 % R
158 begint Suglyph("uniF772";114);
159   tsu_xform(tsu_xf.sc)(tsu_curve.latin.upr);
160   tsu_render;
161   endtsuglyph;
162

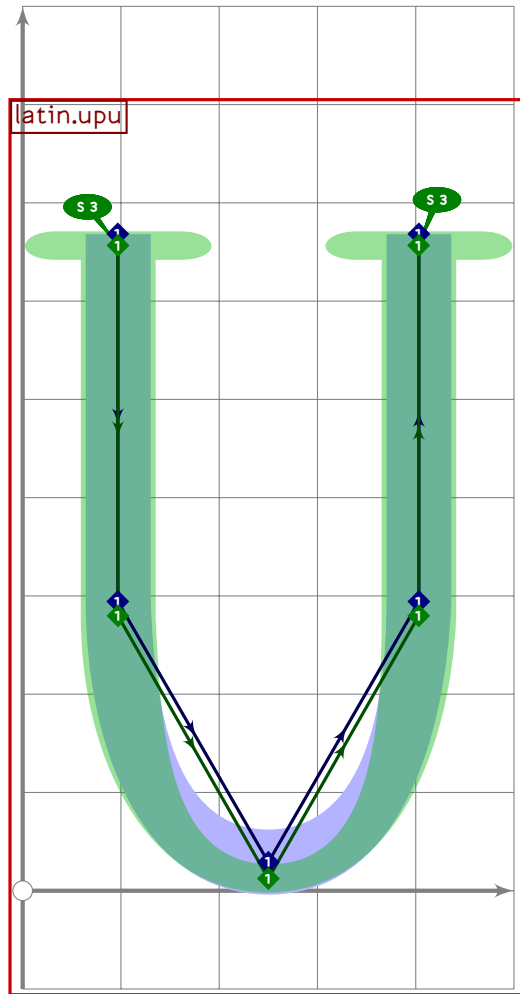
```

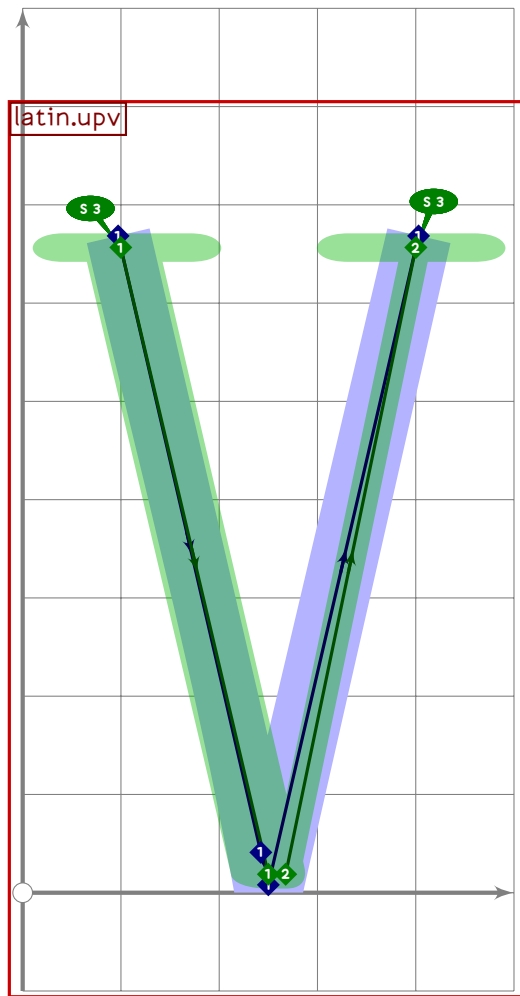
```

169 % T
170 beginsuglyph("uniF774";116);
171   tsu_xform(tsu_xf.sc)(tsu_curve.latin.upt);
172   tsu_render;
173 endsuglyph;
174

```



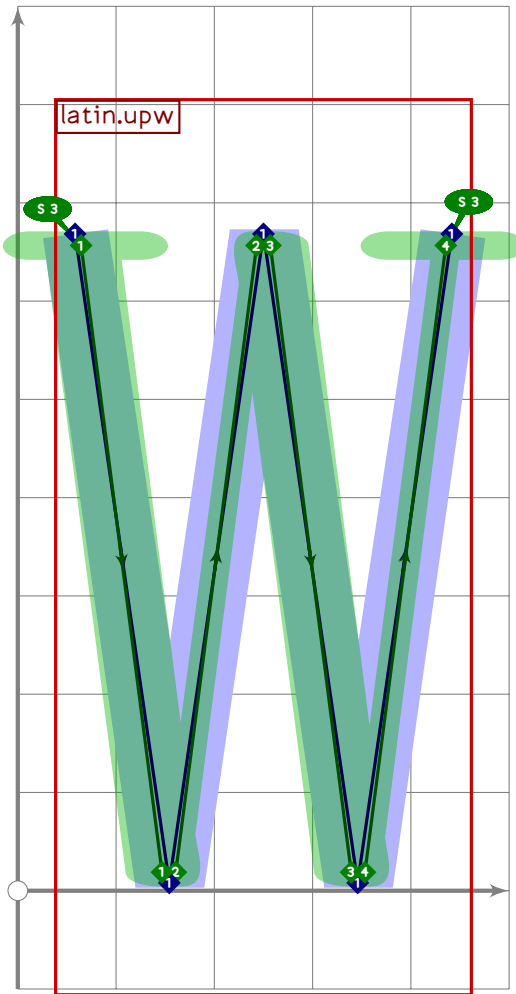
```
175 % U
176 beginsuglyph("uniF775";117);
177 tsu_xform(tsu_xf.sc)(tsu_curve.latin.upu);
178 tsu_render;
179 endsuglyph;
180
```



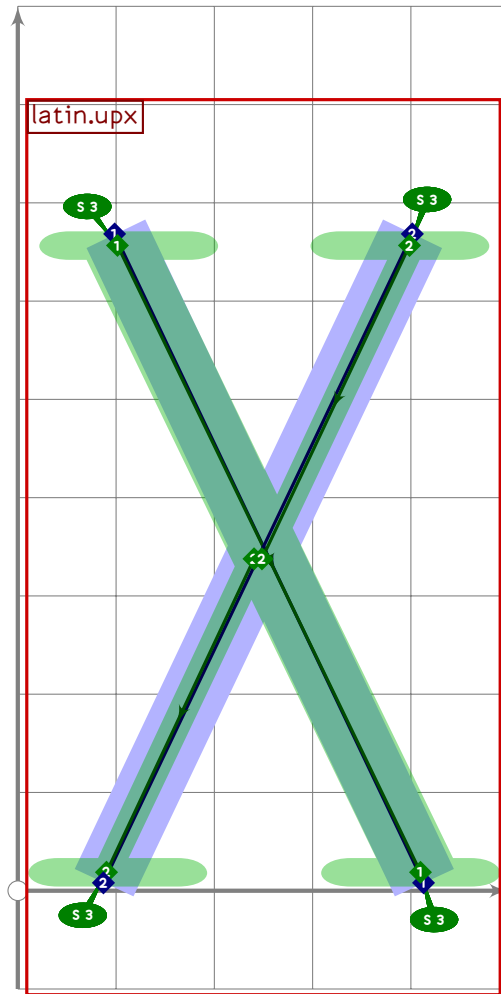
```

181 % V
182 beginsuglyph("uniF776";118);
183   tsu_xform(tsu_xf.sc)(tsu_curve.latin.upv);
184   tsu_render;
185 endsuglyph;
186

```



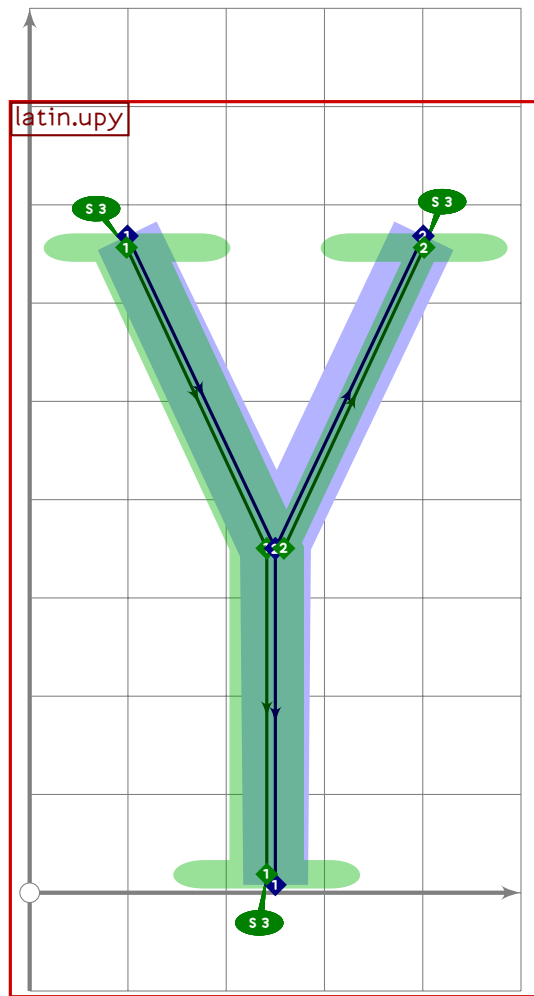
```
187 % W
188 beginsuglyph("uniF777",119);
189 tsu_xform(tsu_xf.sc)(tsu_curve.latin.upw);
190 tsu_render;
191 endsuglyph;
192
```



```

193 % X
194 beginsuglyph("uniF778";120);
195   tsu_xform(tsu_xf.sc)(tsu_curve.latin.upx);
196   tsu_render;
197 endsuglyph;
198

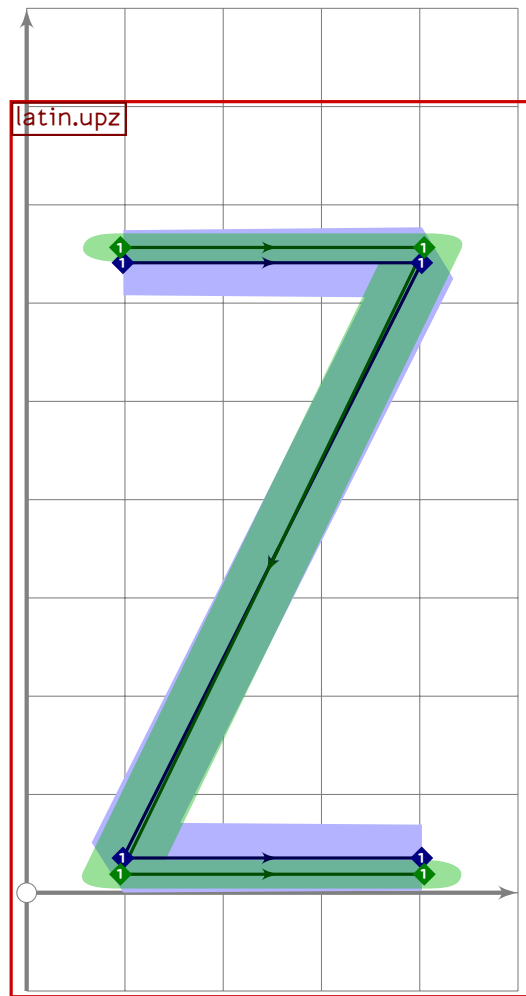
```



```

199 % Y
200 begintsuglyph("uniF779";121);
201 tsu_xform(tsu_xf.sc)(tsu_curve.latin.upy);
202 tsu_render;
203 endsuglyph;
204

```



```
205 % Z
206 begint Suglyph("uniF77A";122);
207   tsu_xform(tsu_xf.sc)(tsu_curve.latin.upz);
208   tsu_render;
209 endsuglyph;
210
211 _____
212
213 endfont;
214
215 _____
```


tsuku-ff.mp

```
1 %
2 % Unicode page FF (Full-width and Half-width Forms) for Tsukurimashou
3 % Copyright (C) 2011 Matthew Skala
4 %
5-29 [Standard copyright notice]
30
31 

---

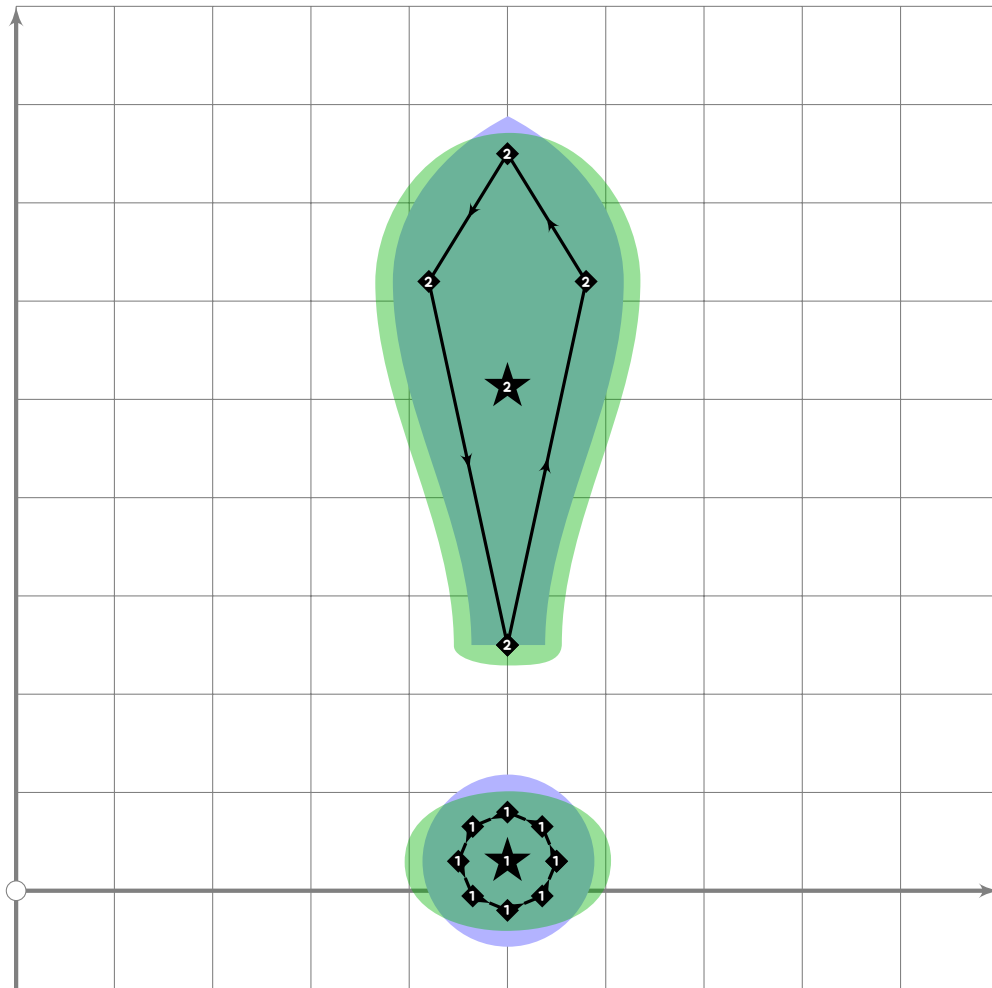

32
33 beginfont
34
35 input latin-intro.mp;
36
37 % AUTODEPS
38 input accent.mp;
39 input dakuten.mp;
40 input katakana.mp;
41 input latin.mp;
42 input numerals.mp;
43 input punct.mp;
44
45 path bracket[];
46
47 

---


48
```

Full-Width Forms

```
49 % FULL-WIDTH FORMS
50
51 % WARNING this code is substantially duplicated in tsuku-00; just
52 % enough differences to make sharing impractical
53
```



```

54 % exclamation point
55 begintsuglyph("uniFF01";1);
56 if tsu_pbrush_size>=tsu_punct_size:
57     lcblob1:=fullcircle
58         xscaled (tsu_punct_size*tsu_pbrush_size)
59         yscaled (tsu_punct_size*tsu_pbrush_size*tsu_pbrush_shape)
60         rotated tsu_pbrush_angle
61         shifted (500,30);
62 else:
63     bp[sp]:=fullcircle scaled tsu_punct_size shifted (500,30);
64     bq[sp]:=(2,2)-(2,2)-(2,2)-(2,2)-cycle;
65     if tsu_pbrush_size>=3:
66         lcblob1:=bp[sp];
67     fi;
68     sp:=sp+1;
69 fi;
70
71 bp[sp]:=(500,250){up}..(580,620){up}..{curl 1}(500,750){curl 1}..
72     (420,620){down}..{down}(500,250);
73 bq[sp]:=(2,2)-(2,2)-(2,2)-(2,2)-(2,2);
74 sp:=sp+1;

```

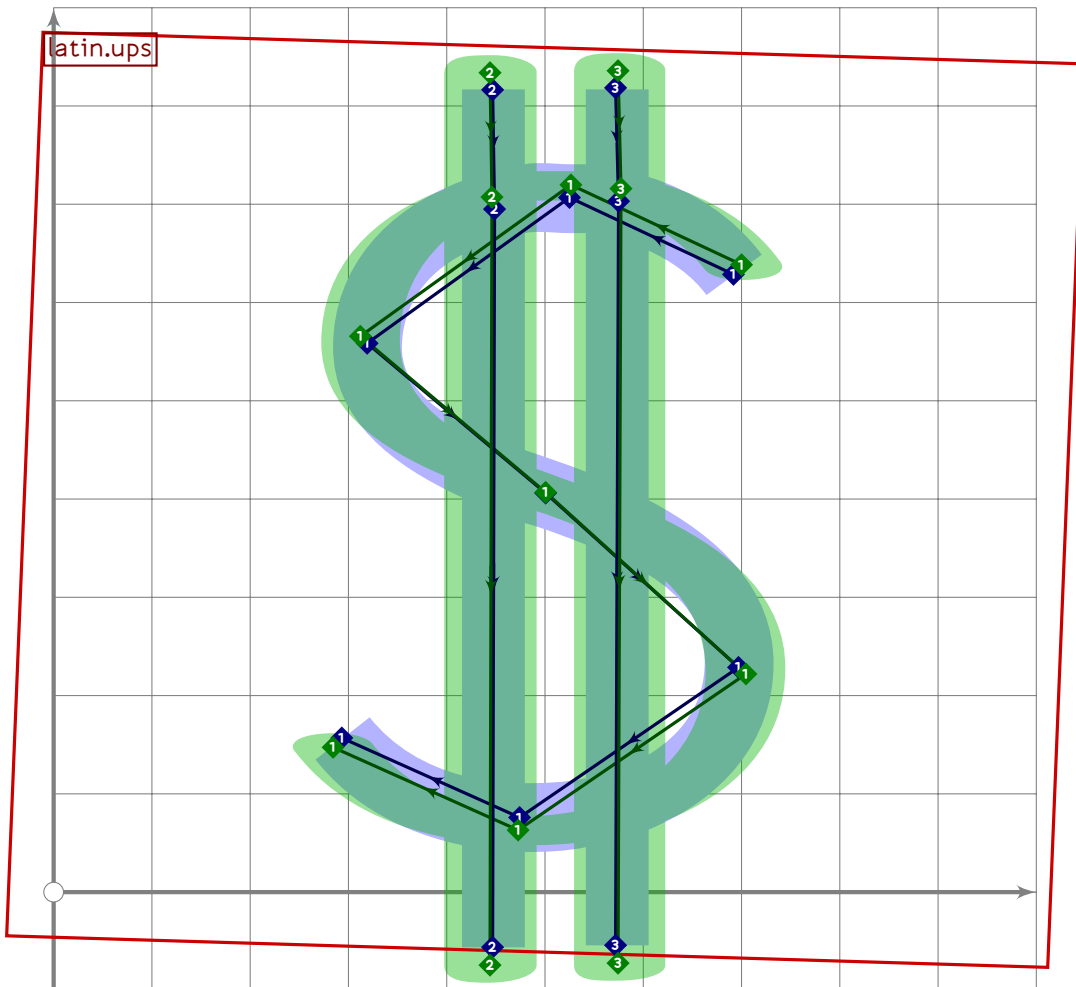
```

75
76 if tsu_pbrush_size>=30:
77     lcblob2:=(subpath (0,1,3,9) of bp[sp:1])–cycle;
78     fi;
79     tsu_render;
80 endtsuglyph;
81
82 % ASCII (neither left nor right) quotation mark
83 begintsuglyph("uniFF02";2);
84     tsu_curve.punct.asciiquote;
85     tsu_render;
86 endtsuglyph;
87
88 % number sign
89 begintsuglyph("uniFF03";3);
90     tsu_curve.punct.numbersign;
91     tsu_render;
92 endtsuglyph;
93

```

[see page 249]

[see page 272]



```

94 % dollar sign
95 begintsuglyph("uniFF04";4);

```

```

96  tsu_xform(identity shifted -centre_pt
97    rotated -2 xyscaled (1.06,0.92) shifted centre_pt)(tsu_curve.latin.ups);
98
99  numeric x[],y[];
100 x1=x2=0.38[xpart llcorner bp1,xpart lrcorner bp1];
101 x3=x4=0.69[xpart llcorner bp1,xpart lrcorner bp1];
102 y1=y3=1.12[latin_wide_low_r,latin_wide_high_r];
103 y2=y4=(-0.15)[latin_wide_low_r,latin_wide_high_r];
104
105 bp2:=z1-z2;
106 z5=(bp1 intersectionpoint bp2)*(2,1);
107 bp2:=(z1-z5-z2) shifted (0,1);
108 bq2:=(2,2)-(2,2)-(2,2);
109 bo_size2:=85;
110
111 bp3:=z3-z4;
112 z6=(bp1 intersectionpoint bp3)*(3,1);
113 bp3:=(z3-z6-z4) shifted (0,1);
114 bq3:=(2,2)-(2,2)-(2,2);
115 bo_size3:=85;
116
117 sp:=4;
118  tsu_render;
119 endtsuglyph;
120
121 % percent
122 begintsuglyph("uniFF05",5); [see page 277]
123  tsu_curve.punct.percent;
124  tsu_render;
125 endtsuglyph;
126
127 % ampersand
128 begintsuglyph("uniFF06",6); [see page 248]
129  tsu_curve.punct.ampersand;
130  tsu_render;
131 endtsuglyph;
132

```



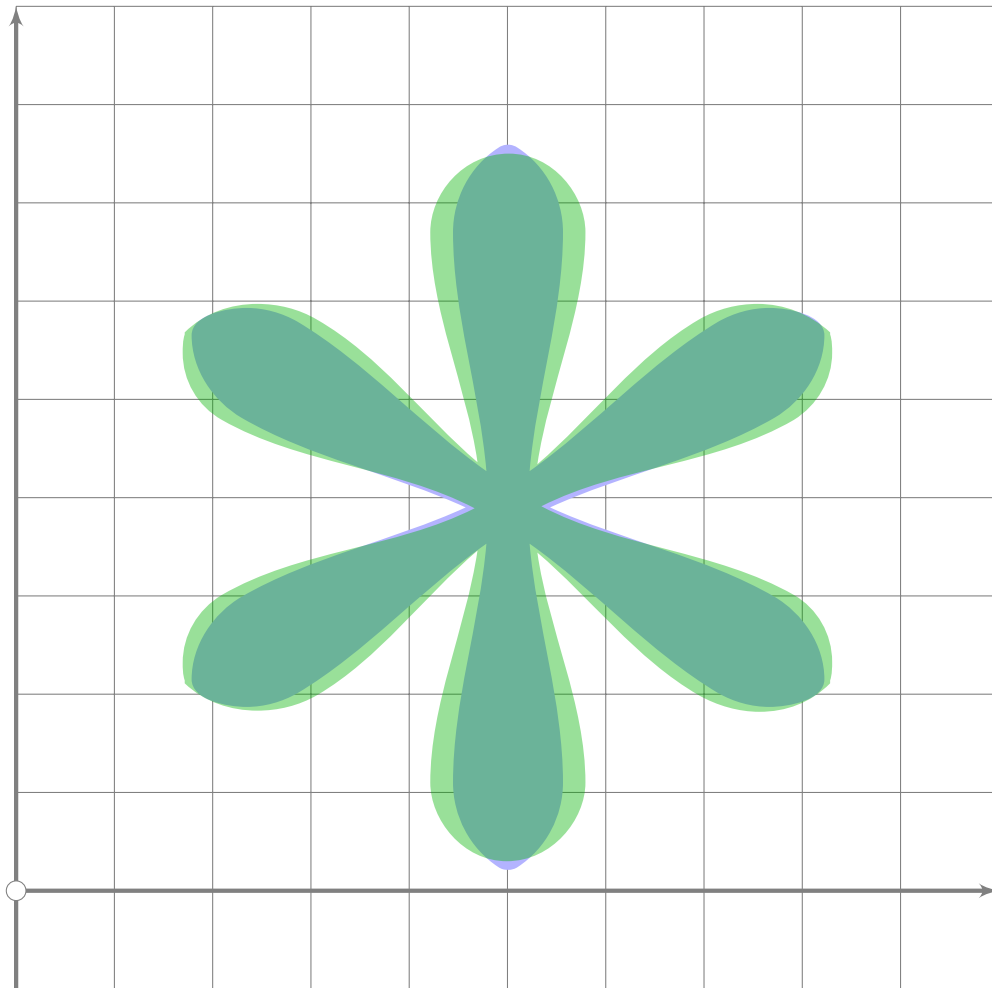
```

133 % apostrophe
134 begint Suglyph("uniFF07";7);
135   tsu_curve.punct.make_comma((480,vmetric(0.94)),0);
136   tsu_render;
137 endtsuglyph;
138
139 % left and right parentheses
140 tsu_curve.punct.paren_intro;
141 begint Suglyph("uniFF08";8);
142   tsu_curve.punct.paren_left;
143   tsu_render;
144 endtsuglyph;
145 begint Suglyph("uniFF09";9);
146   tsu_curve.punct.paren_right;
147   tsu_render;
148 endtsuglyph;
149

```

[see page 275]

[see page 276]

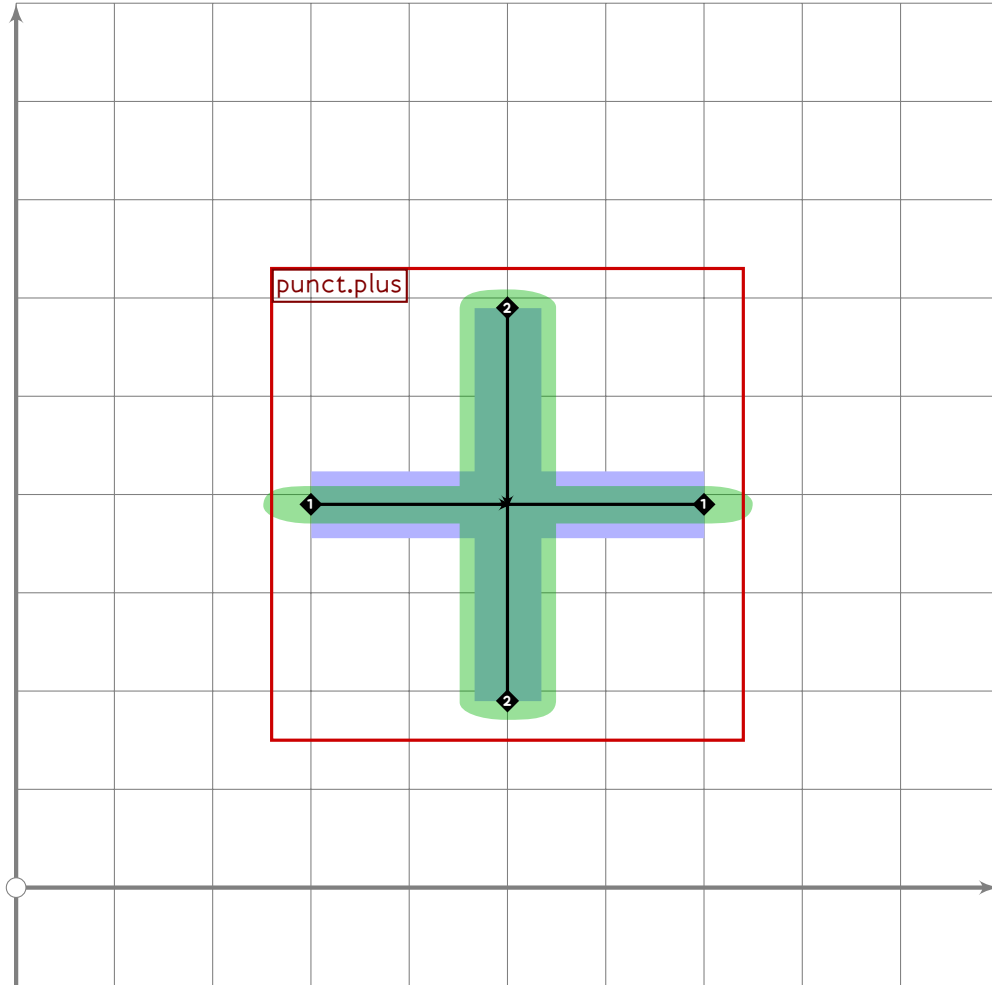


```

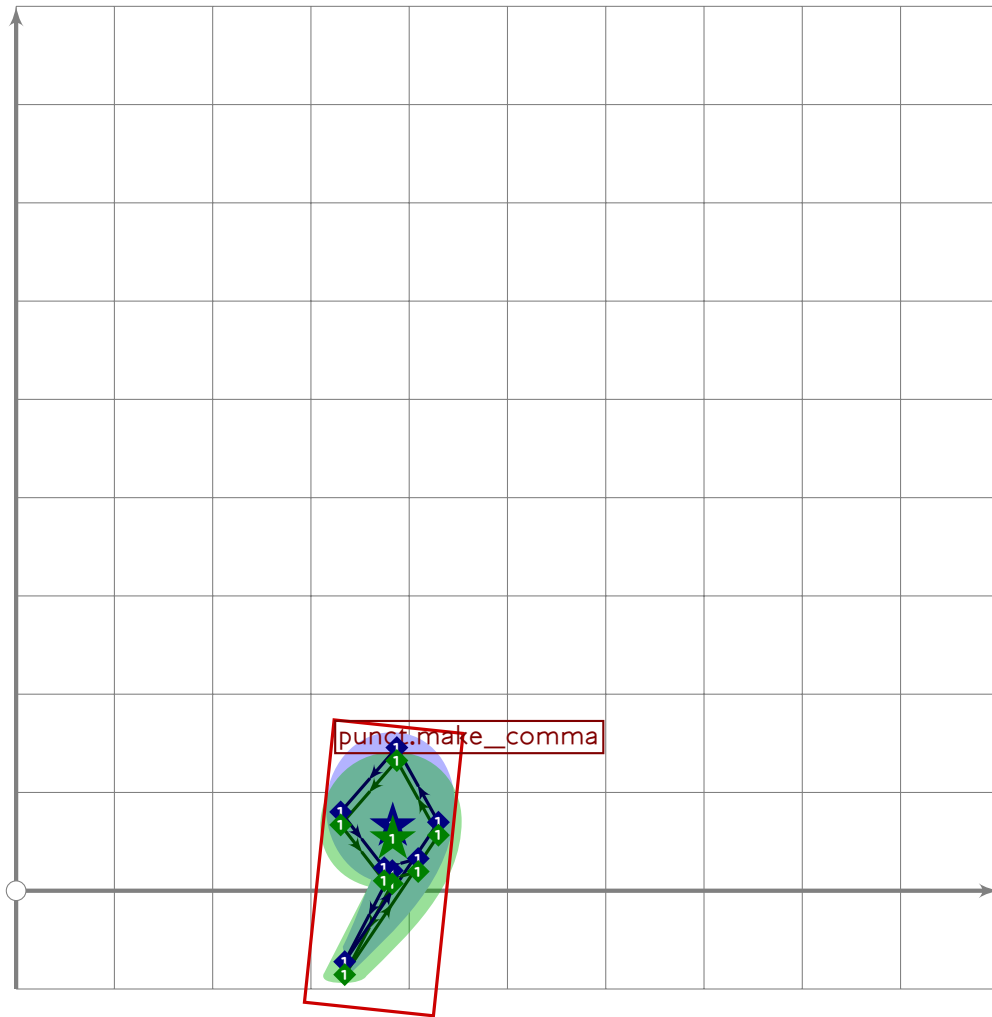
150 % asterisk
151 begintsuglyph("uniFF0A";10);
152   begingroup
153     path lobe,glyph[];
154
155     lobe:=(1,0){up}..(tsu_brush_max*tsu_punct_size/2,280){up}
156       ..{curl 1}(0,350){curl 1}..(-tsu_brush_max*tsu_punct_size/2,280){down};
157     lobe:=(lobe..(lobe rotated 180)..cycle) scaled (tsu_punct_size/100);
158
159     default_nib:=fix_nib(50*tsu_brush_max,
160       50*tsu_brush_max*tsu_brush_shape,
161       tsu_brush_angle);
162     pen_stroke()(lobe shifted centre_pt)(glyph1);
163     pen_stroke()(lobe rotated 60 shifted centre_pt)(glyph2);
164     pen_stroke()(lobe rotated 120 shifted centre_pt)(glyph3);
165
166     dangerousFill glyph1.r;
167     dangerousFill glyph2.r;
168     dangerousFill glyph3.r;
169   endgroup;
170 endtsuglyph;

```

171



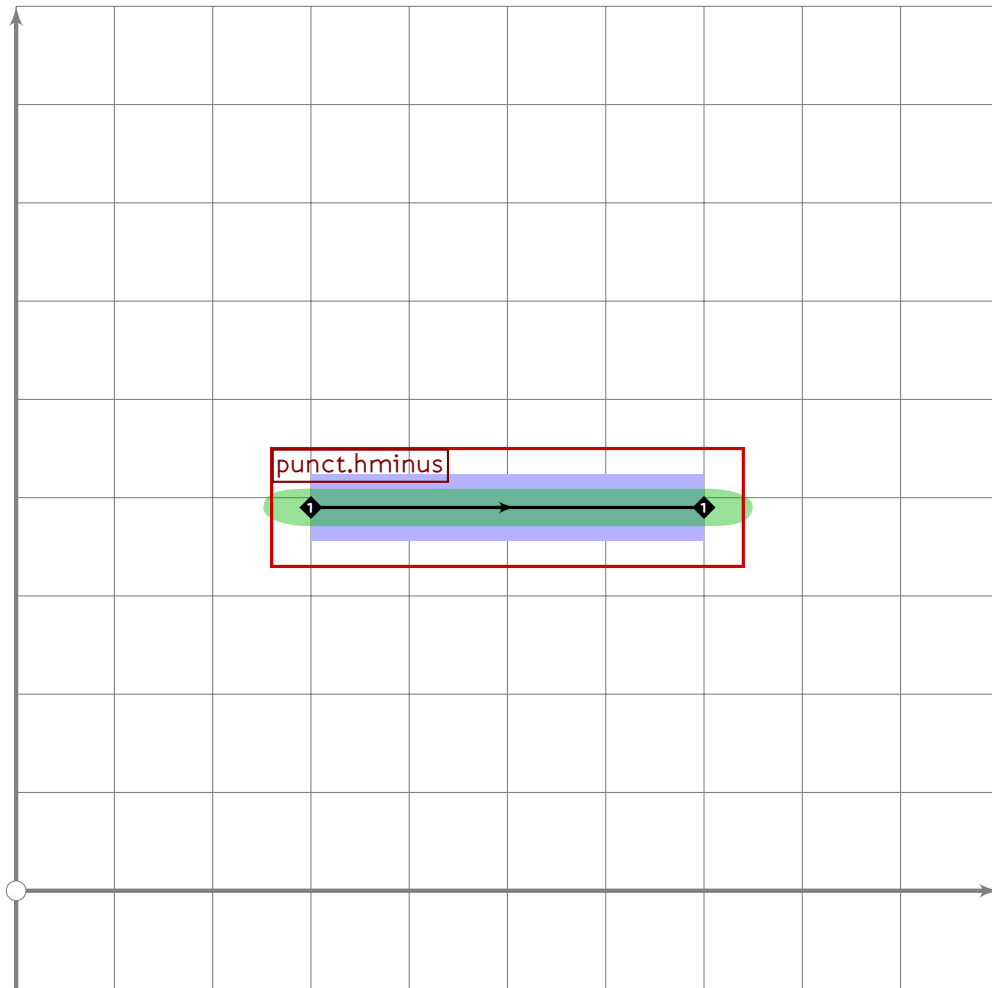
```
172 % plus
173 begint Suglyph("uniFF0B";11);
174   tsu_curve.punct.plus
175     (identity scaled (2*tsu_punct_size) shifted centre_pt);
176   tsu_render;
177 endtsuglyph;
178
```



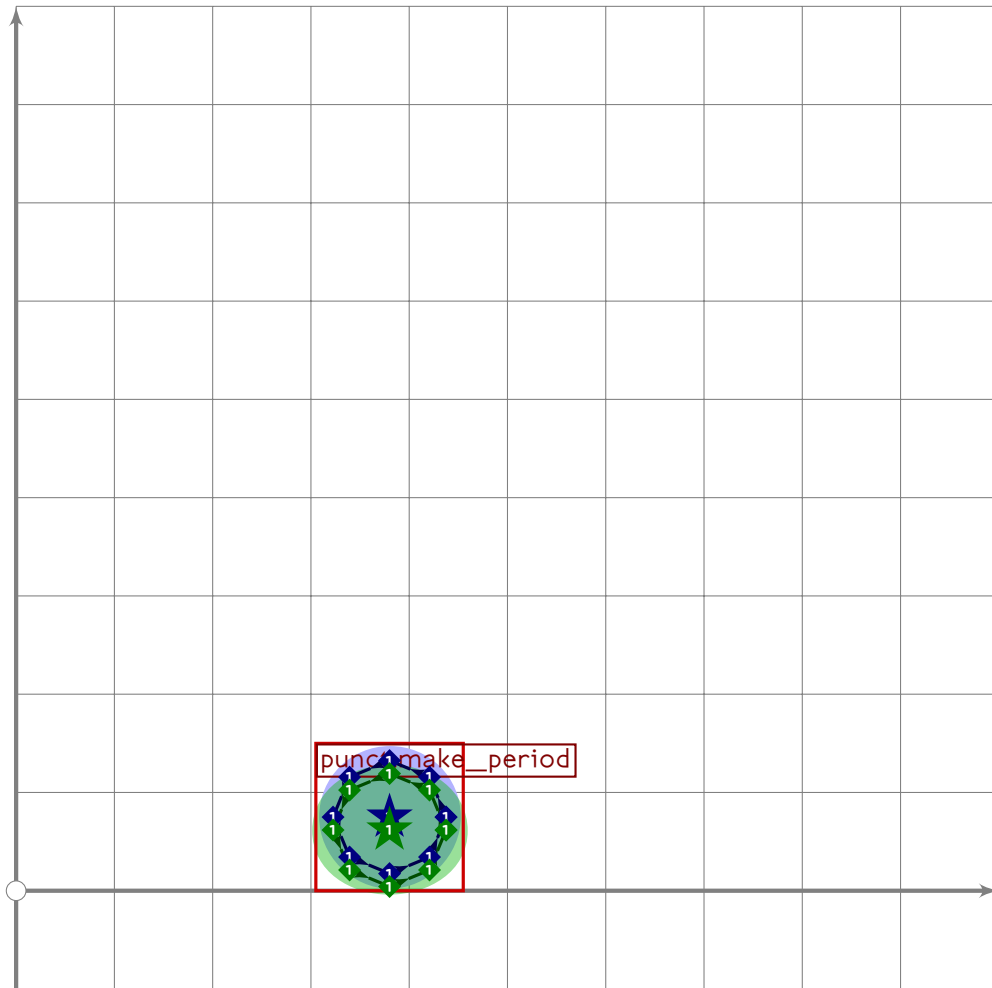
```

179 % comma
180 begint Suglyph("uniFFOC",12);
181 tsu_curve.punct.make_comma((380,vmetric(0.03)),0);
182 tsu_render;
183 endsuglyph;
184

```

```
185 % hyphen-minus
186 begintsuglyph("uniFF0D";13);
187 tsu_curve.punct.hminus
188   (identity scaled (2*tsu_punct_size) shifted centre_pt);
189 tsu_render;
190 endsuglyph;
191
```



```

192 % period
193 beginsuglyph("uniFF0E",14);
194   tsu_curve.punct.make__period((380,vmetric(0.03)));
195   tsu_render;
196 endsuglyph;

```

197

```

198 % slash
199 beginsuglyph("uniFF0F",15);
200   tsu_curve.punct.slash;
201   tsu_render;
202 endsuglyph;

```

[see page 283]

203

```

204 % 0
205 beginsuglyph("uniFF10",16);
206   tsu_curve.numeral.zero;
207   tsu_render;
208 endsuglyph;

```

[see page 225]

209

```

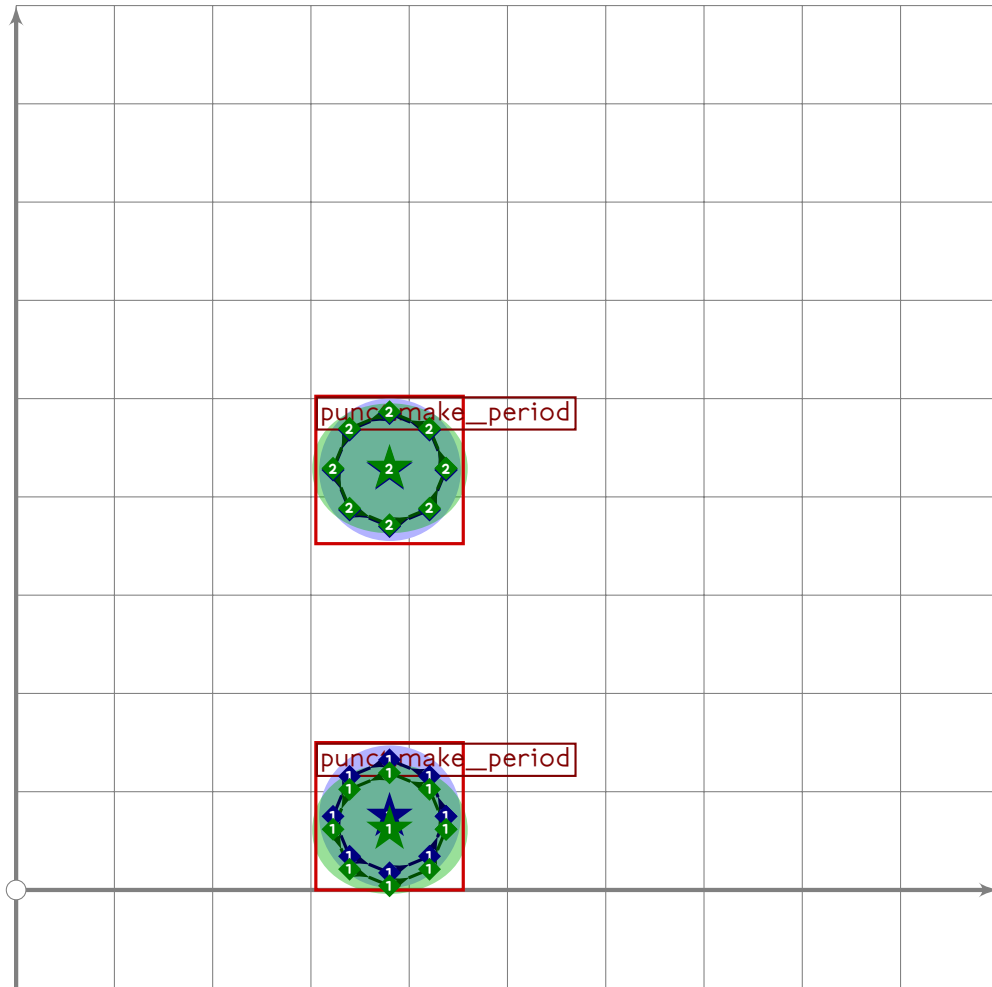
210 % 1
211 beginsuglyph("uniFF11",17);
212   tsu_curve.numeral.one;

```

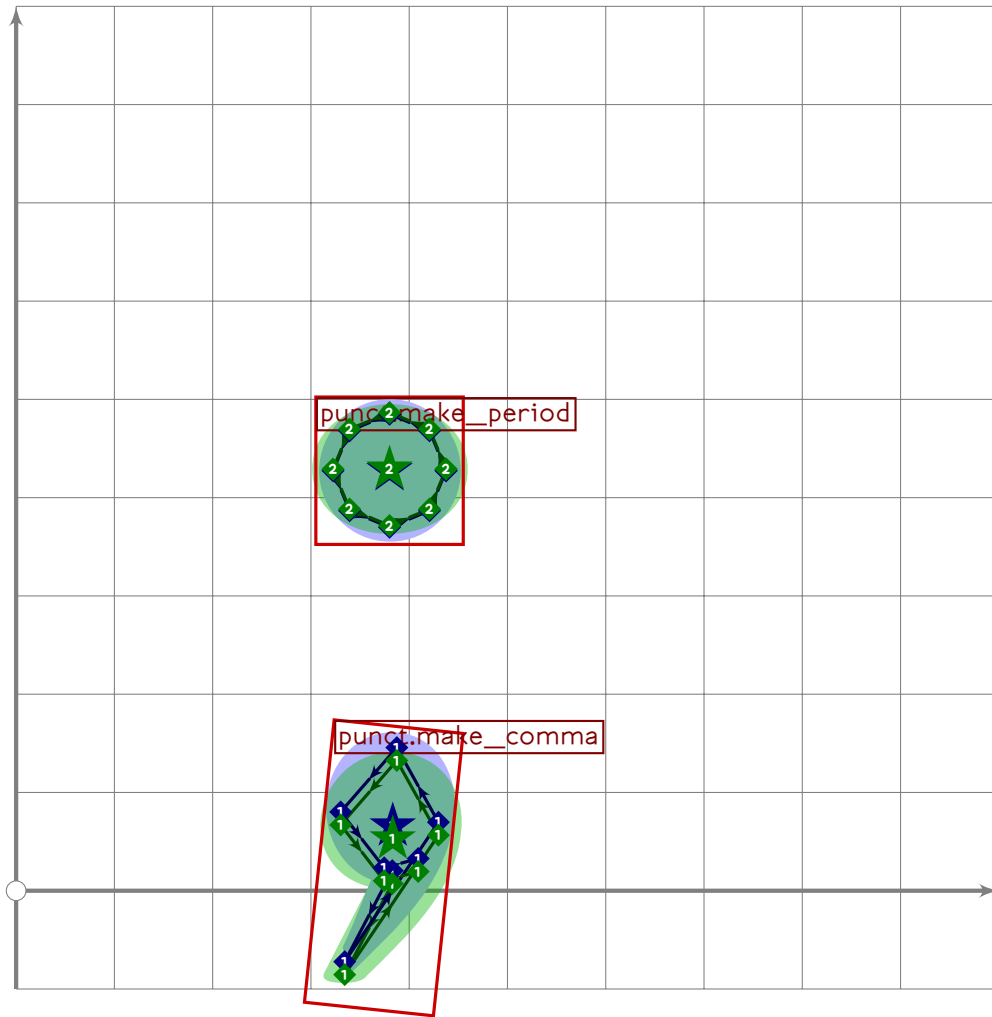
[see page 226]

213 `tsu_render;`
214 `endtsuglyph;`
215
216 `% 2`
217 `begintsuglyph("uniFF12";18);` [see page 227]
218 `tsu_curve.numeral.two;`
219 `tsu_render;`
220 `endtsuglyph;`
221
222 `% 3`
223 `begintsuglyph("uniFF13";19);` [see page 228]
224 `tsu_curve.numeral.three;`
225 `tsu_render;`
226 `endtsuglyph;`
227
228 `% 4`
229 `begintsuglyph("uniFF14";20);` [see page 229]
230 `tsu_curve.numeral.four;`
231 `tsu_render;`
232 `endtsuglyph;`
233
234 `% 5`
235 `begintsuglyph("uniFF15";21);` [see page 230]
236 `tsu_curve.numeral.five;`
237 `tsu_render;`
238 `endtsuglyph;`
239
240 `% 6`
241 `begintsuglyph("uniFF16";22);` [see page 231]
242 `tsu_curve.numeral.six;`
243 `tsu_render;`
244 `endtsuglyph;`
245
246 `% 7`
247 `begintsuglyph("uniFF17";23);` [see page 232]
248 `tsu_curve.numeral.seven;`
249 `tsu_render;`
250 `endtsuglyph;`
251
252 `% 8`
253 `begintsuglyph("uniFF18";24);` [see page 233]
254 `tsu_curve.numeral.eight;`
255 `tsu_render;`
256 `endtsuglyph;`
257
258 `% 9`
259 `begintsuglyph("uniFF19";25);` [see page 234]
260 `tsu_curve.numeral.nine;`

```
261 tsu_render;  
262 endtsuglyph;  
263
```



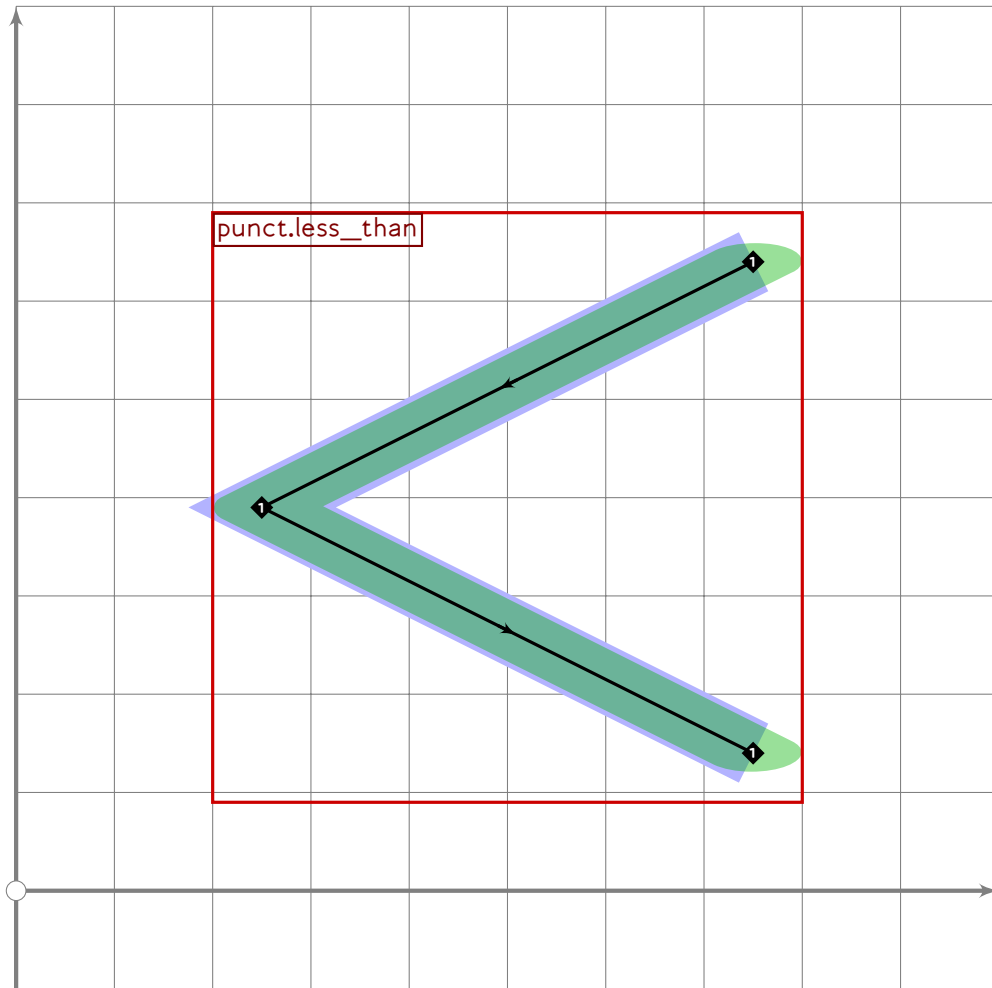
```
264 % colon  
265 begint Suglyph("uniFF1A";26);  
266 tsu_curve.punct.make_period((380,vmetric(0.03)));  
267 tsu_curve.punct.make_period((380,vmetric(0.56)));  
268 tsu_render;  
269 endtsuglyph;  
270
```



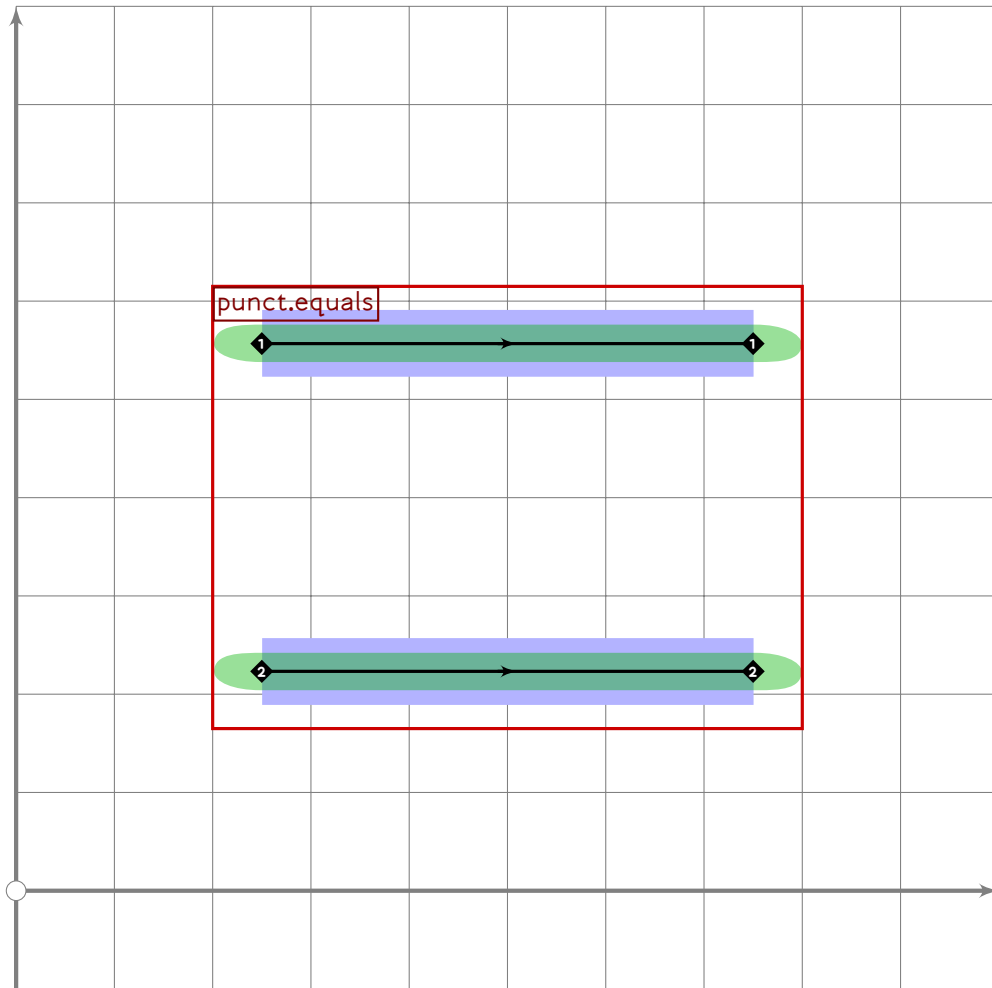
```

271 % semicolon
272 begint Suglyph("uniFF1B",27);
273 tsu_curve.punct.make_comma((380,vmetric(0.03)),0);
274 tsu_curve.punct.make_period((380,vmetric(0.56)));
275 tsu_render;
276 endtsuglyph;
277

```



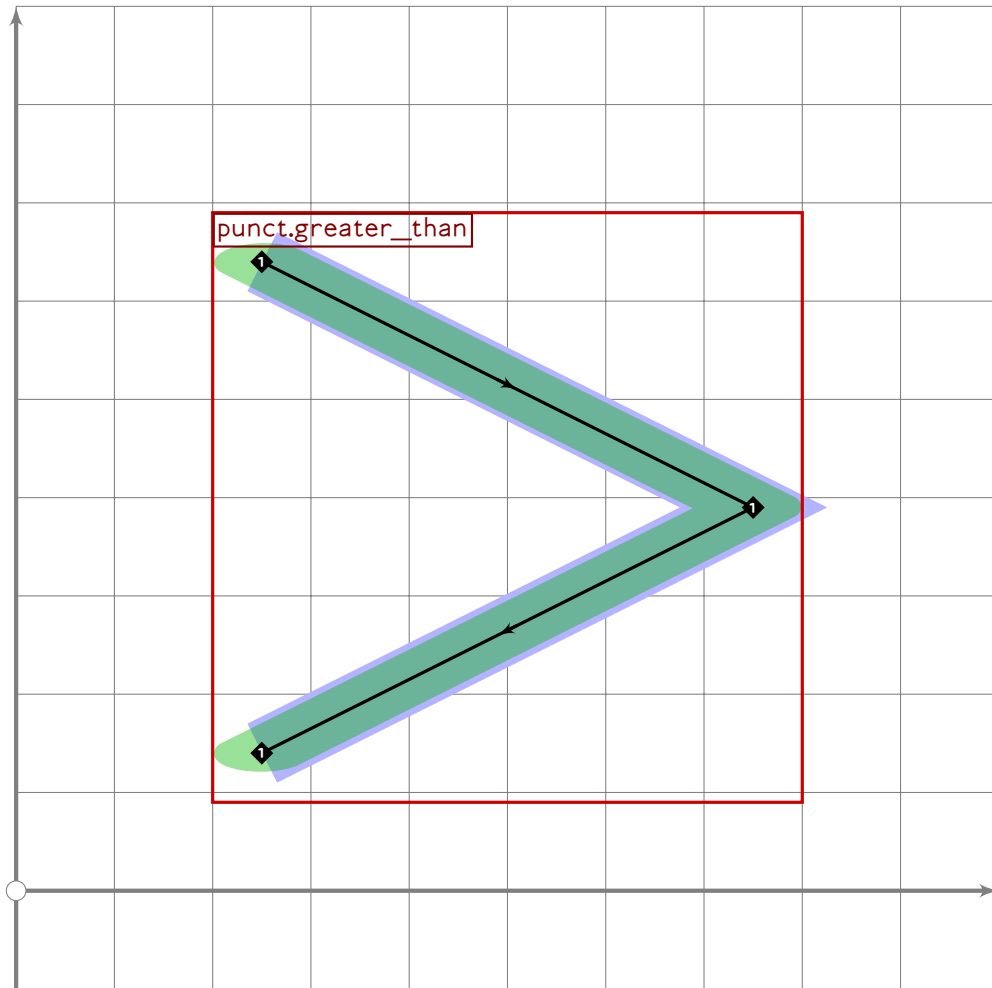
```
278 % less than
279 begintsuglyph("uniFF1C";28);
280 tsu_curve.punct.less_than
281   (identity scaled (2.5*tsu_punct_size) shifted centre_pt);
282 tsu_render;
283 endsuglyph;
284
```



```

285 % equals
286 begint Suglyph("uniFF1D";29);
287   tsu_curve.punct.equals
288     (identity scaled (2.5*tsu_punct_size) shifted centre_pt);
289   tsu_render;
290 endsuglyph;
291

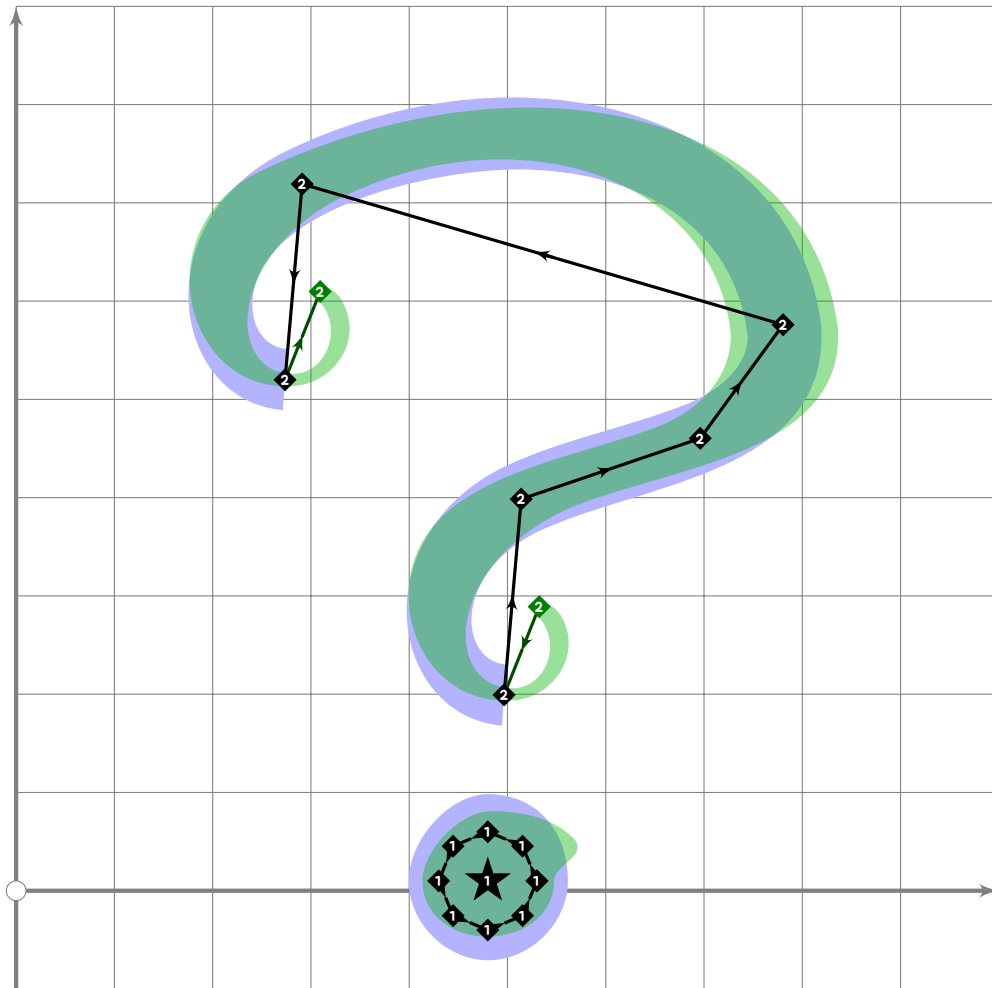
```



```

292 % greater than
293 begint Suglyph("uniFF1E";30);
294 tsu_curve.punct.greater_than
295     (identity scaled (2.5*tsu_punct_size) shifted centre_pt);
296 tsu_render;
297 endtsuglyph;
298

```

```

299 % question mark
300 begintsuglyph("uniFF1F",31);
301   numeric r;
302   if tsu_pbrush_size>=tsu_punct_size:
303     lcblob1:=fullcircle
304       xscaled (tsu_punct_size*tsu_pbrush_size)
305       yscaled (tsu_punct_size*tsu_pbrush_size*tsu_pbrush_shape)
306       rotated tsu_pbrush_angle
307       shifted (480,10);
308     r:=tsu_pbrush_size;
309   else:
310     bp1:=fullcircle scaled tsu_punct_size shifted (480,10);
311     bq1:=(1,1)..(2,2)..(2,2)..(1,1);
312     if tsu_pbrush_size>=30:
313       lcblob1:=bp[sp];
314     fi;
315     sp:=sp+1;
316     r:=tsu_punct_size;
317   fi;
318
319   bp[sp]:=(480,300){right}..(480,300-r){left}..

```

```

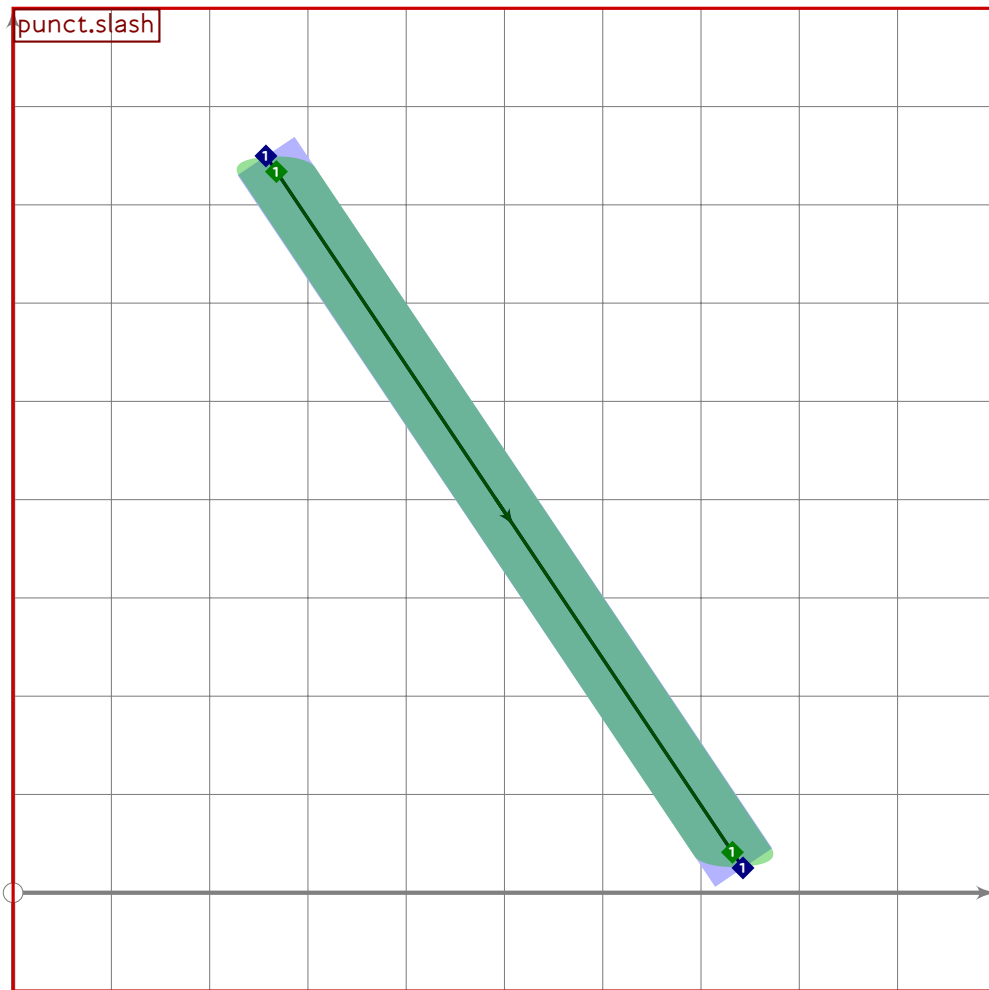
320     (480,300*r)..(480+2.5*r,600)..
321     tension 1.3..(480-2.5*r,600*r)..
322     (480-2.5*r,600-r){right}..
323     (480-2.5*r,600){left};
324     bp[sp]:=insert__nodes(bp[sp])(2.5);
325     bp[sp]:=bp[sp] rotatedaround ((480,10);-5);
326     bq[sp]:=(0.8,0.8)-(1,1)-(2,2)-(2,2)-(2,2)-(2,2)-(1,1)-(0.8,0.8);
327     sp:=sp*1;
328
329     tsu_render;
330 endtsuglyph;
331
332 % commercial at
333 begintsuglyph("uniFF20",32); [see page 251]
334 tsu_curve.punct.atsign;
335 tsu_render;
336 endtsuglyph;
337
338 % A
339 begintsuglyph("uniFF21",33); [see page 145]
340 tsu_curve.latin.upa;
341 tsu_render;
342 endtsuglyph;
343
344 % B
345 begintsuglyph("uniFF22",34); [see page 149]
346 tsu_curve.latin.upb;
347 tsu_render;
348 endtsuglyph;
349
350 % C
351 begintsuglyph("uniFF23",35); [see page 150]
352 tsu_curve.latin.upc;
353 tsu_render;
354 endtsuglyph;
355
356 % D
357 begintsuglyph("uniFF24",36); [see page 151]
358 tsu_curve.latin.upd;
359 tsu_render;
360 endtsuglyph;
361
362 % E
363 begintsuglyph("uniFF25",37); [see page 153]
364 tsu_curve.latin.upe;
365 tsu_render;
366 endtsuglyph;
367

```

368 % F
369 `begintsuglyph("uniFF26",38);` [see page 154]
370 `tsu_curve.latin.upf;`
371 `tsu_render;`
372 `endtsuglyph;`
373
374 % G
375 `begintsuglyph("uniFF27",39);` [see page 155]
376 `tsu_curve.latin.upg;`
377 `tsu_render;`
378 `endtsuglyph;`
379
380 % H
381 `begintsuglyph("uniFF28",40);` [see page 156]
382 `tsu_curve.latin.uph;`
383 `tsu_render;`
384 `endtsuglyph;`
385
386 % I
387 `begintsuglyph("uniFF29",41);` [see page 157]
388 `tsu_curve.latin.upi;`
389 `tsu_render;`
390 `endtsuglyph;`
391
392 % J
393 `begintsuglyph("uniFF2A",42);` [see page 158]
394 `tsu_curve.latin.upj;`
395 `tsu_render;`
396 `endtsuglyph;`
397
398 % K
399 `begintsuglyph("uniFF2B",43);` [see page 160]
400 `tsu_curve.latin.upk;`
401 `tsu_render;`
402 `endtsuglyph;`
403
404 % L
405 `begintsuglyph("uniFF2C",44);` [see page 161]
406 `tsu_curve.latin.upl;`
407 `tsu_render;`
408 `endtsuglyph;`
409
410 % M
411 `begintsuglyph("uniFF2D",45);` [see page 162]
412 `tsu_curve.latin.upm;`
413 `tsu_render;`
414 `endtsuglyph;`
415

416 % N
417 `begintsuglyph("uniFF2E",46);` [see page 164]
418 `tsu_curve.latin.upn;`
419 `tsu_render;`
420 `endtsuglyph;`
421
422 % O
423 `begintsuglyph("uniFF2F",47);` [see page 167]
424 `tsu_curve.latin.upo;`
425 `tsu_render;`
426 `endtsuglyph;`
427
428 % P
429 `begintsuglyph("uniFF30",48);` [see page 169]
430 `tsu_curve.latin.upp;`
431 `tsu_render;`
432 `endtsuglyph;`
433
434 % Q
435 `begintsuglyph("uniFF31",49);` [see page 170]
436 `tsu_curve.latin.upq;`
437 `tsu_render;`
438 `endtsuglyph;`
439
440 % R
441 `begintsuglyph("uniFF32",50);` [see page 171]
442 `tsu_curve.latin.upr;`
443 `tsu_render;`
444 `endtsuglyph;`
445
446 % S
447 `begintsuglyph("uniFF33",51);` [see page 172]
448 `tsu_curve.latin.ups;`
449 `tsu_render;`
450 `endtsuglyph;`
451
452 % T
453 `begintsuglyph("uniFF34",52);` [see page 173]
454 `tsu_curve.latin.upt;`
455 `tsu_render;`
456 `endtsuglyph;`
457
458 % U
459 `begintsuglyph("uniFF35",53);` [see page 175]
460 `tsu_curve.latin.upu;`
461 `tsu_render;`
462 `endtsuglyph;`
463

464 % V
465 `begintsuglyph("uniFF36";54);` [see page 176]
466 `tsu_curve.latin.upv;`
467 `tsu_render;`
468 `endtsuglyph;`
469
470 % W
471 `begintsuglyph("uniFF37";55);` [see page 178]
472 `tsu_curve.latin.upw;`
473 `tsu_render;`
474 `endtsuglyph;`
475
476 % X
477 `begintsuglyph("uniFF38";56);` [see page 179]
478 `tsu_curve.latin.upx;`
479 `tsu_render;`
480 `endtsuglyph;`
481
482 % Y
483 `begintsuglyph("uniFF39";57);` [see page 180]
484 `tsu_curve.latin.upy;`
485 `tsu_render;`
486 `endtsuglyph;`
487
488 % Z
489 `begintsuglyph("uniFF3A";58);` [see page 181]
490 `tsu_curve.latin.upz;`
491 `tsu_render;`
492 `endtsuglyph;`
493
494 % left and right square brackets
495 `tsu_curve.punct.sqb_intro;`
496 `begintsuglyph("uniFF3B";59);` [see page 284]
497 `tsu_curve.punct.sqb_left;`
498 `tsu_render;`
499 `endtsuglyph;`

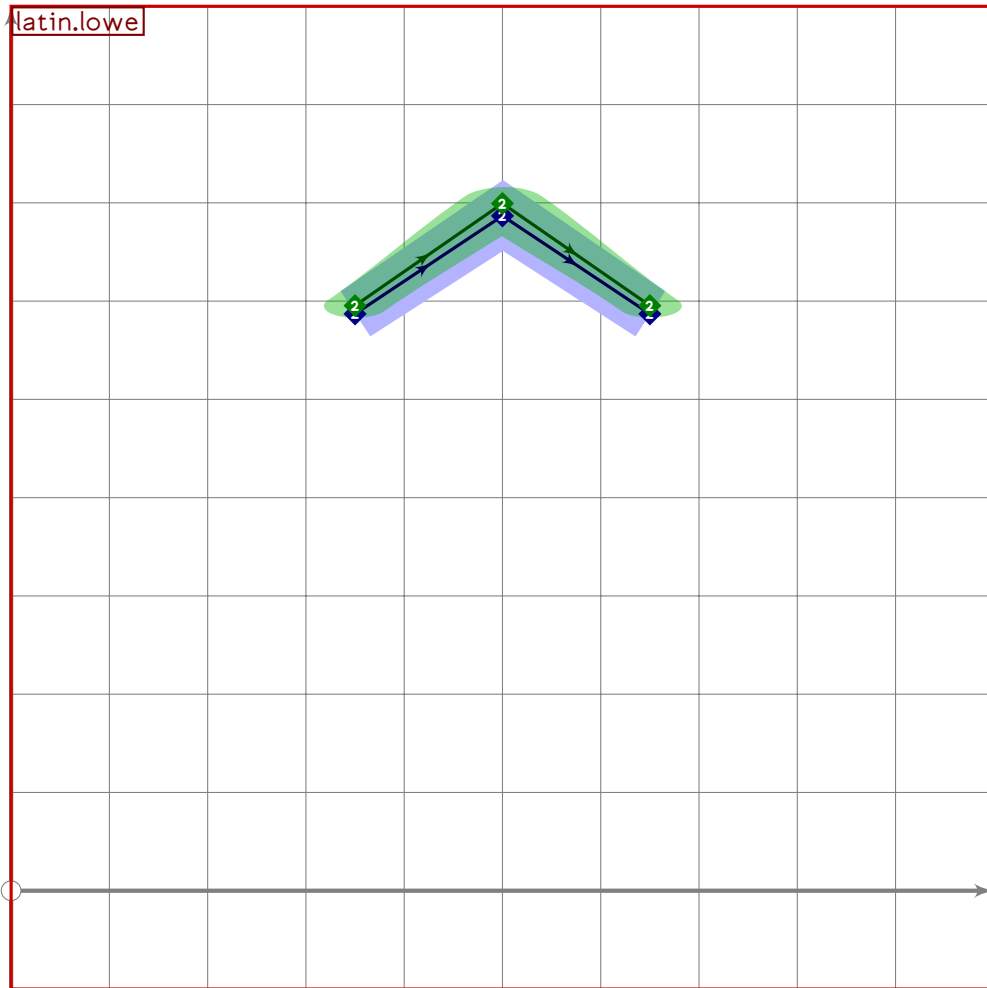


```

500 % backslash
501 begintsuglyph("uniFF3C",60);
502 tsu_curve.punct.slash;
503 bp1:=bp1 reflectedabout (centre_pt,(centre_pt*down));
504 tsu_render;
505 endsuglyph;
506 begintsuglyph("uniFF3D",61);
507 tsu_curve.punct.sqb_right;
508 tsu_render;
509 endsuglyph;
510

```

[see page 285]

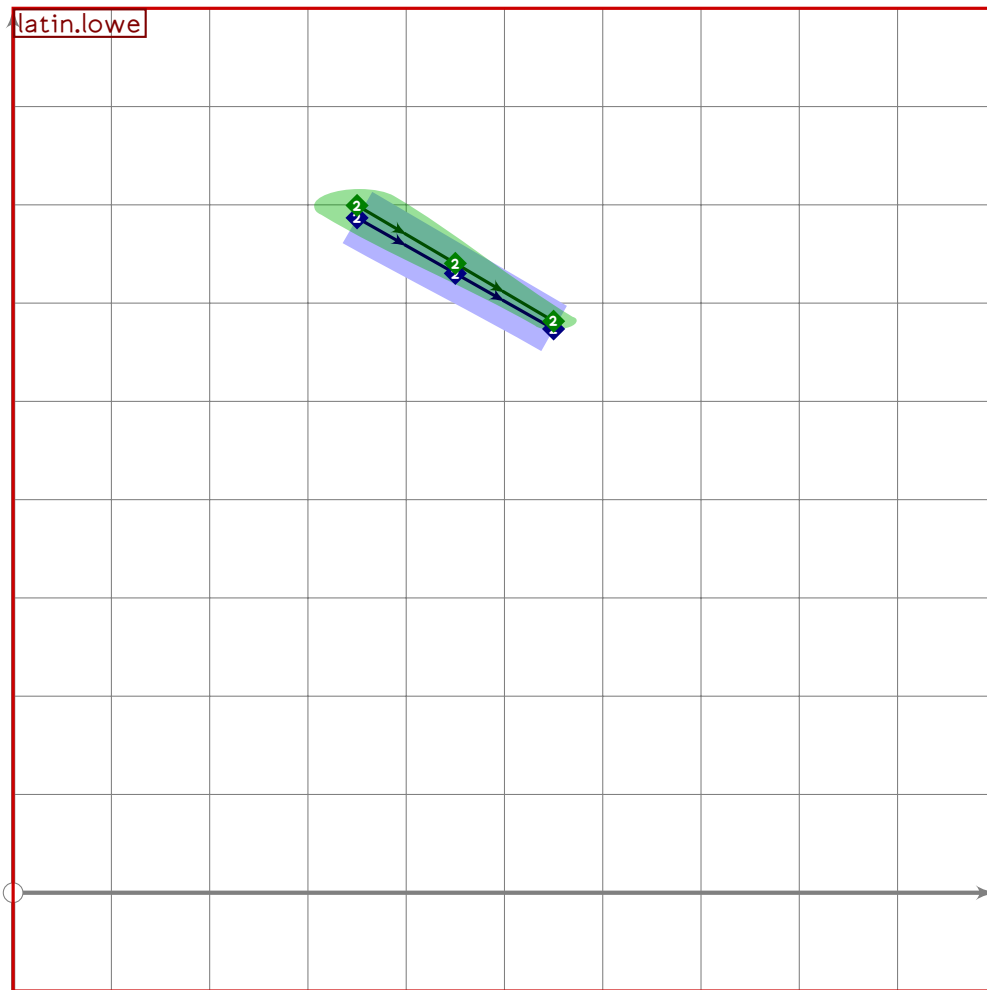


```

511 % circumflex/caret
512 beginsuglyph("uniFF3E",62);
513   tsu_accent.circumflex(tsu_curve.latin.love);
514   bo_size1:=0;
515   tsu_render;
516 endsuglyph;
517
518 % underscore
519 beginsuglyph("uniFF3F",63);
520   tsu_curve.punct.underscore;
521   tsu_render;
522 endsuglyph;
523

```

[see page 286]



```

524 % grave accent
525 begintsuglyph("uniFF40",64);
526 tsu_accent.grave(tsu_curve.latin.love);
527 bo_size1:=0;
528 tsu_render;
529 endtsuglyph;
530
531 % a
532 begintsuglyph("uniFF41",65); [see page 182]
533 tsu_curve.latin.lowa;
534 tsu_render;
535 endtsuglyph;
536
537 % b
538 begintsuglyph("uniFF42",66); [see page 186]
539 tsu_curve.latin.lowb;
540 tsu_render;
541 endtsuglyph;
542
543 % c
544 begintsuglyph("uniFF43",67); [see page 187]

```


545 `tsu_curve.latin.lowc;`
546 `tsu_render;`
547 `endtsuglyph;`
548
549 `% d` [see page 188]
550 `begintsuglyph("uniFF44";68);`
551 `tsu_curve.latin.lowd;`
552 `tsu_render;`
553 `endtsuglyph;`
554
555 `% e` [see page 189]
556 `begintsuglyph("uniFF45";69);`
557 `tsu_curve.latin.lowe;`
558 `tsu_render;`
559 `endtsuglyph;`
560
561 `% f` [see page 193]
562 `begintsuglyph("uniFF46";70);`
563 `tsu_curve.latin.lowf;`
564 `tsu_render;`
565 `endtsuglyph;`
566
567 `% g` [see page 195]
568 `begintsuglyph("uniFF47";71);`
569 `tsu_curve.latin.lowg;`
570 `tsu_render;`
571 `endtsuglyph;`
572
573 `% h` [see page 196]
574 `begintsuglyph("uniFF48";72);`
575 `tsu_curve.latin.lowh;`
576 `tsu_render;`
577 `endtsuglyph;`
578
579 `% i` [see page 197]
580 `begintsuglyph("uniFF49";73);`
581 `tsu_curve.latin.lowi;`
582 `tsu_render;`
583 `endtsuglyph;`
584
585 `% j` [see page 198]
586 `begintsuglyph("uniFF4A";74);`
587 `tsu_curve.latin.lowj;`
588 `tsu_render;`
589 `endtsuglyph;`
590
591 `% k` [see page 200]
592 `begintsuglyph("uniFF4B";75);`

593 `tsu_curve.latin.lowk;`
594 `tsu_render;`
595 `endtsuglyph;`
596
597 `% l`
598 `begintsuglyph("uniFF4C";76);` [see page 201]
599 `tsu_curve.latin.lowl;`
600 `tsu_render;`
601 `endtsuglyph;`
602
603 `% m`
604 `begintsuglyph("uniFF4D";77);` [see page 202]
605 `tsu_curve.latin.lowm;`
606 `tsu_render;`
607 `endtsuglyph;`
608
609 `% n`
610 `begintsuglyph("uniFF4E";78);` [see page 203]
611 `tsu_curve.latin.lown;`
612 `tsu_render;`
613 `endtsuglyph;`
614
615 `% o`
616 `begintsuglyph("uniFF4F";79);` [see page 206]
617 `tsu_curve.latin.lowo;`
618 `tsu_render;`
619 `endtsuglyph;`
620
621 `% p`
622 `begintsuglyph("uniFF50";80);` [see page 208]
623 `tsu_curve.latin.lowp;`
624 `tsu_render;`
625 `endtsuglyph;`
626
627 `% q`
628 `begintsuglyph("uniFF51";81);` [see page 209]
629 `tsu_curve.latin.lowq;`
630 `tsu_render;`
631 `endtsuglyph;`
632
633 `% r`
634 `begintsuglyph("uniFF52";82);` [see page 210]
635 `tsu_curve.latin.lowr;`
636 `tsu_render;`
637 `endtsuglyph;`
638
639 `% s`
640 `begintsuglyph("uniFF53";83);` [see page 212]

```

641 tsu_curve.latin.lows;
642 tsu_render;
643 endtsuglyph;
644
645 % t
646 begintsuglyph("uniFF54";84); [see page 214]
647 tsu_curve.latin.lowt;
648 tsu_render;
649 endtsuglyph;
650
651 % u
652 begintsuglyph("uniFF55";85); [see page 217]
653 tsu_curve.latin.lowu;
654 tsu_render;
655 endtsuglyph;
656
657 % v
658 begintsuglyph("uniFF56";86); [see page 218]
659 tsu_curve.latin.lowv;
660 tsu_render;
661 endtsuglyph;
662
663 % w
664 begintsuglyph("uniFF57";87); [see page 219]
665 tsu_curve.latin.loww;
666 tsu_render;
667 endtsuglyph;
668
669 % x
670 begintsuglyph("uniFF58";88); [see page 221]
671 tsu_curve.latin.lowx;
672 tsu_render;
673 endtsuglyph;
674
675 % y
676 begintsuglyph("uniFF59";89); [see page 222]
677 tsu_curve.latin.lowy;
678 tsu_render;
679 endtsuglyph;
680
681 % z
682 begintsuglyph("uniFF5A";90); [see page 224]
683 tsu_curve.latin.lowz;
684 tsu_render;
685 endtsuglyph;
686
687 % left and right square brackets, around vertical line
688 tsu_curve.punct.brace_intro;

```

```

689 begintsuglyph("uniFF5B";91); [see page 252]
690 tsu_curve.punct.brace_left;
691 tsu_render;
692 endtsuglyph;
693 begintsuglyph("uniFF5C";92); [see page 287]
694 tsu_curve.punct.vline;
695 tsu_render;
696 endtsuglyph;
697 begintsuglyph("uniFF5D";93); [see page 253]
698 tsu_curve.punct.brace_right;
699 tsu_render;
700 endtsuglyph;
701
702 % "fullwidth tilde" - identical to "wave dash"
703 begintsuglyph("uniFF5E";94); [see page 288]
704 tsu_curve.punct.wavedash;
705 tsu_render;
706 endtsuglyph;
707
708 % left and right white parentheses
709 tsu_curve.punct.wparen_intro;
710 begintsuglyph("uniFF5F";95); [see page 289]
711 tsu_curve.punct.wparen_left;
712 tsu_render;
713 endtsuglyph;
714 begintsuglyph("uniFF60";96); [see page 290]
715 tsu_curve.punct.wparen_right;
716 tsu_render;
717 endtsuglyph;
718
719 

---


720

```

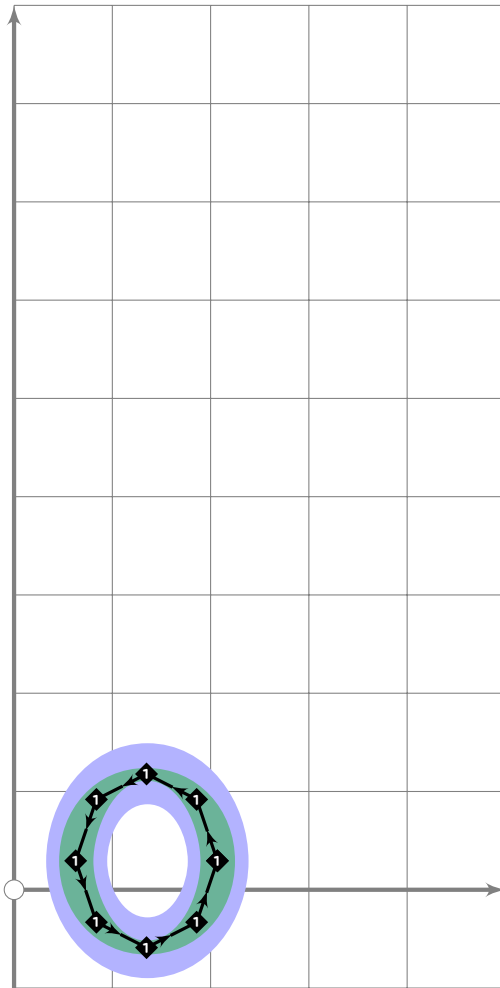
Half-Width Punctuation

```

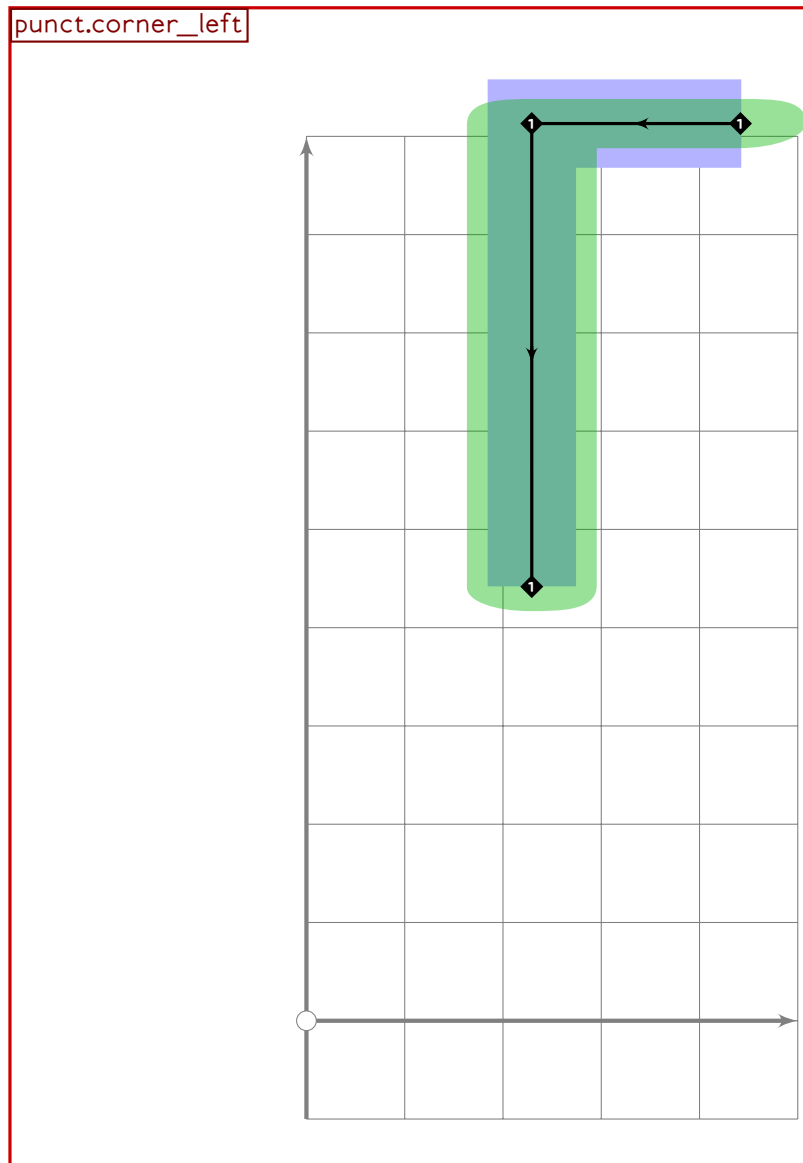
721 % HALF-WIDTH PUNCTUATION
722
723 % WARNING changing rescale setting
724 tsu_rescale_half;
725

```

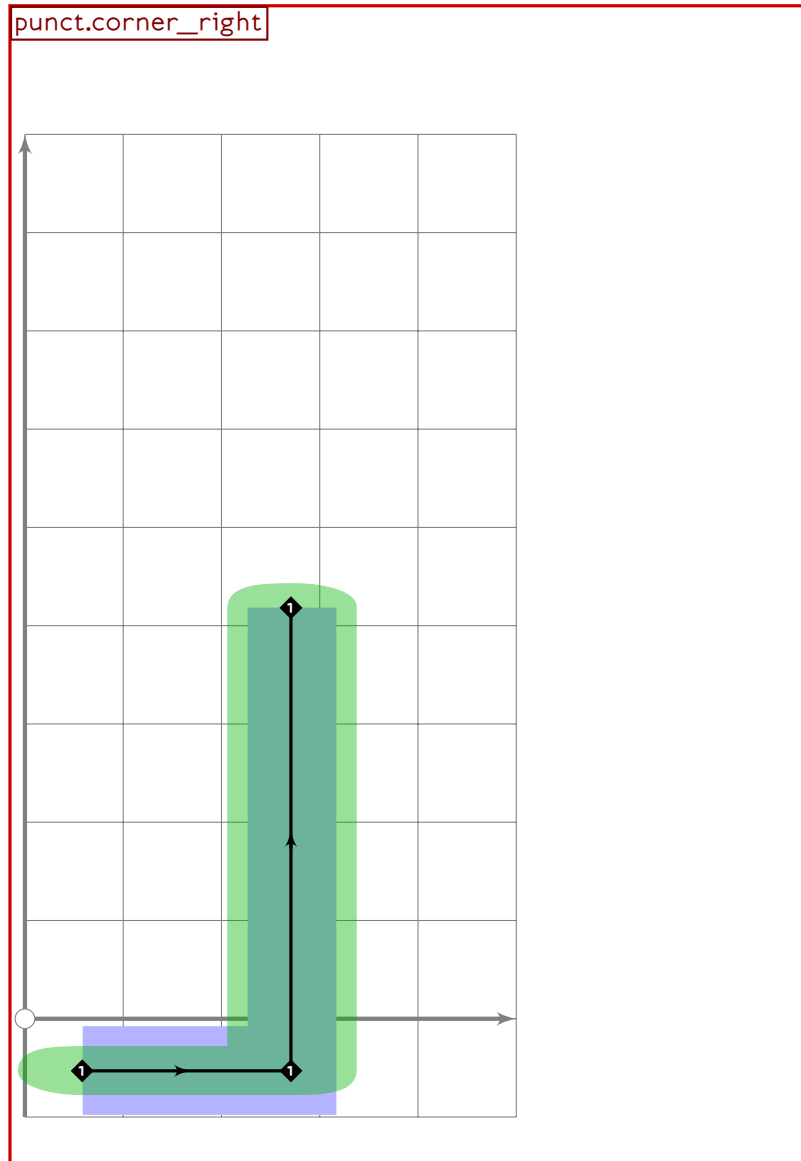
punct.full_stop



```
726 % ideographic full stop
727 begintsuglyph("uniFF61";97);
728   tsu_curve.punct.full_stop;
729   tsu_render;
730 endsuglyph;
731
732 % left and right corner brackets
733 tsu_curve.punct.corner_intro;
```

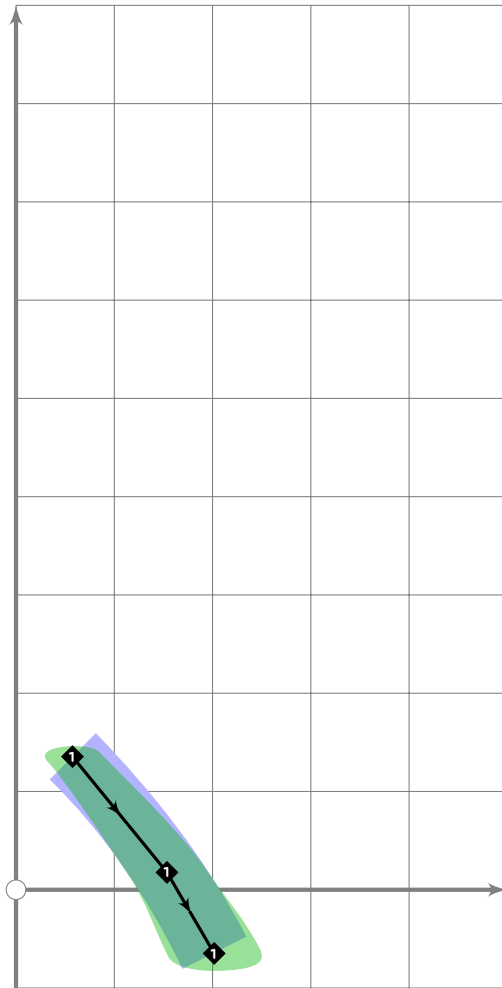


```
734 begint Suglyph("uniFF62";98);  
735 tsu_curve.punct.corner_left;  
736 tsu_render;  
737 endsuglyph;
```



```
738 begint Suglyph("uniFF63";99);  
739 tsu_curve.punct.corner_right;  
740 tsu_render;  
741 endtsuglyph;  
742
```

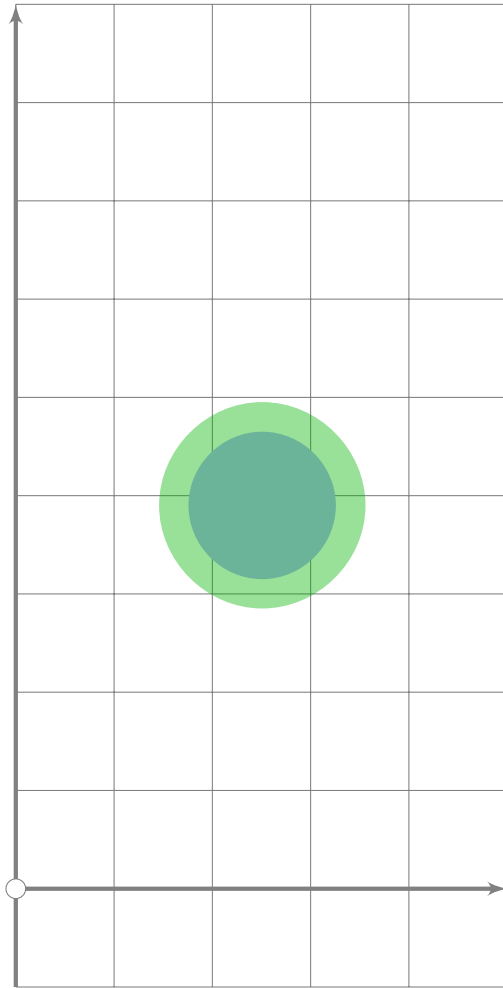
punct.hancomma



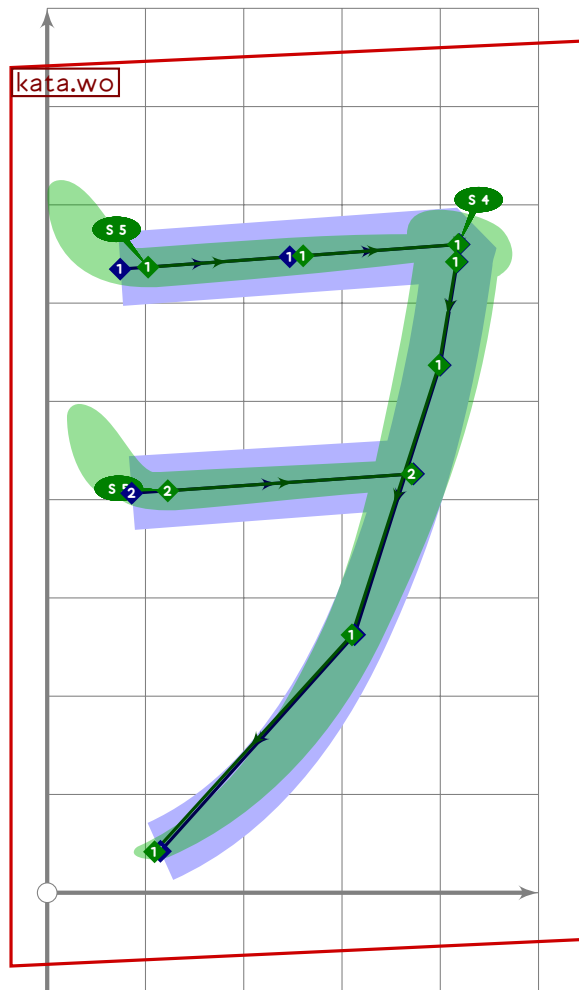
```
743 % ideographic comma
744 begint Suglyph("uniFF64";100);
745     tsu_curve.punct.hancomma;
746     tsu_render;
747 endtsuglyph;
748
749 _____
750
```

Half-Width Katakana

```
751 % HALF-WIDTH KATAKANA
752
753 % WARNING changing rescale setting
754 tsu_rescale_half_katakana;
755
```

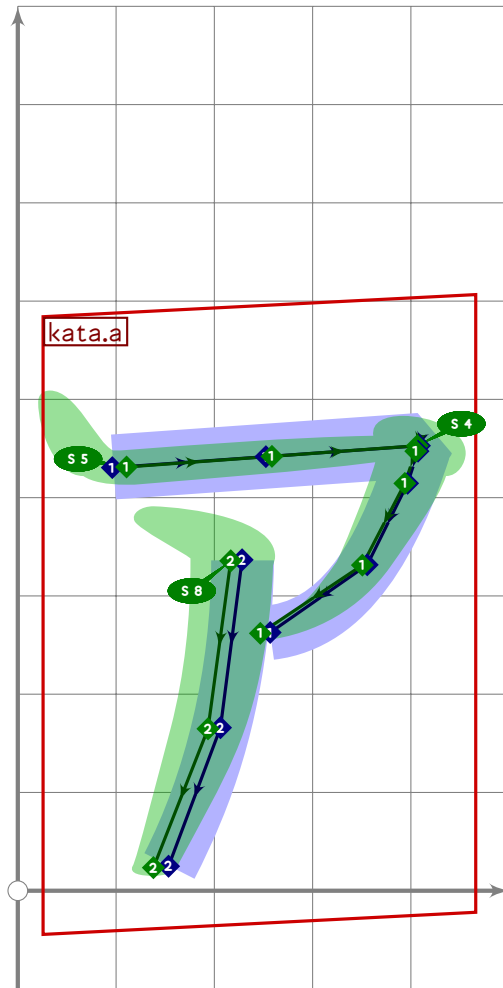
```
756 % katakana middle dot
757 begintsuglyph("uniFF65";101);
758   Fill fullcircle scaled (200*tsu_brush_max) shifted (250,ypart centre_pt);
759 endsuglyph;
760
```



```

761 % katakana "wo"
762 begintsuglyph("uniFF66";102);
763 tsu_curve.kata.wo;
764 tsu_render;
765 endtsuglyph;
766

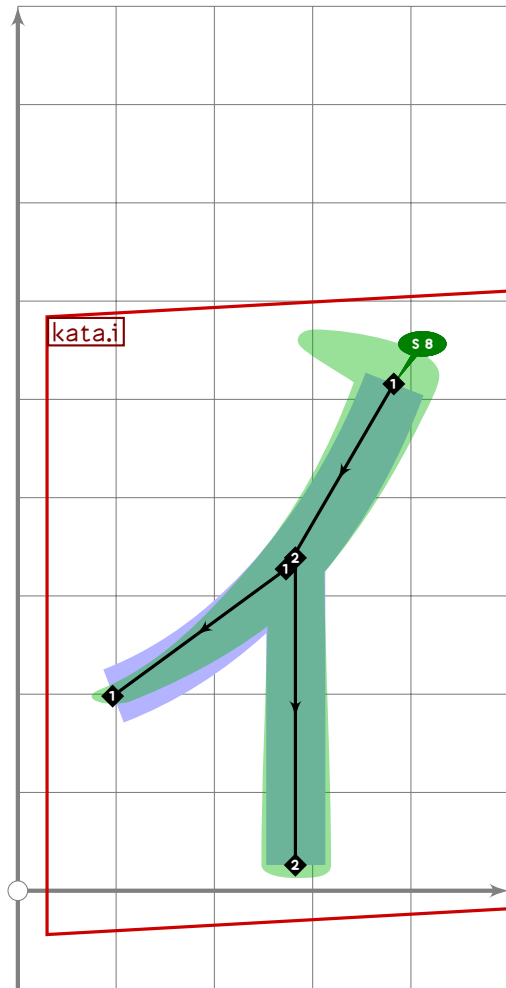
```



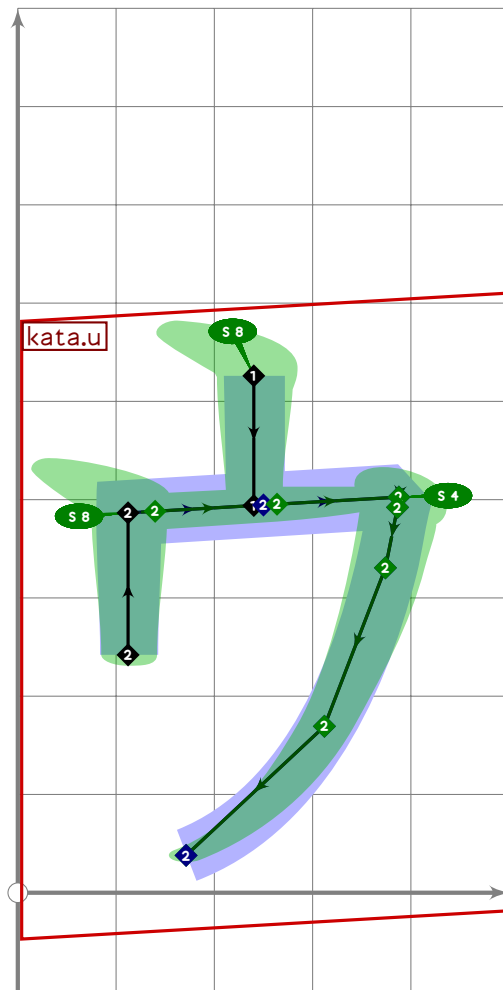
```

767 % katakana "small a"
768 begintsuglyph("uniFF67";103);
769 tsu_xform(tsu_xf.smallkana)(tsu_curve.kata.a);
770 tsu_render;
771 endtsuglyph;
772

```



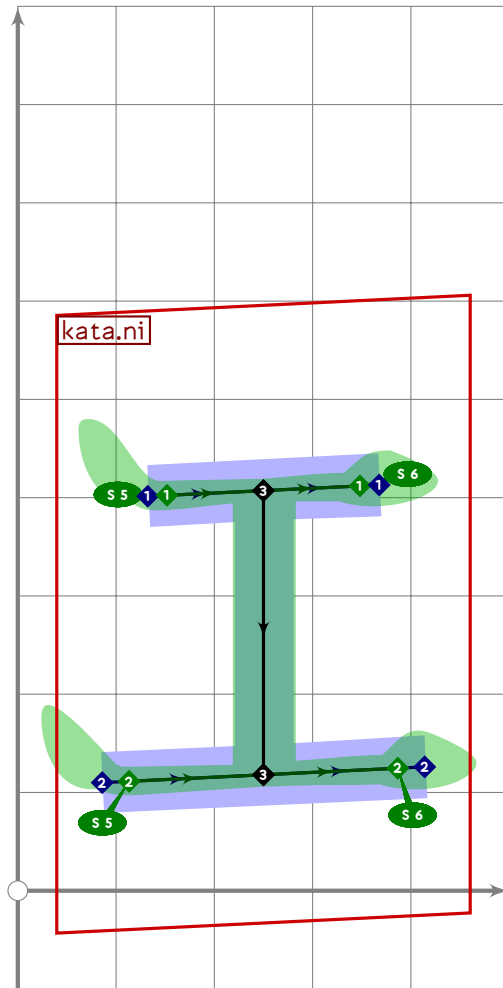
```
773 % katakana "small i"  
774 begintsuglyph("uniFF68",104);  
775 tsu_xform(tsu_xf.smallkana)(tsu_curve.kata.i);  
776 tsu_render;  
777 endtsuglyph;  
778
```



```

779 % katakana "small u"
780 begintsuglyph("uniFF69";105);
781 tsu_xform(tsu_xf.smallkana)(tsu_curve.kata.u);
782 tsu_render;
783 endtsuglyph;
784

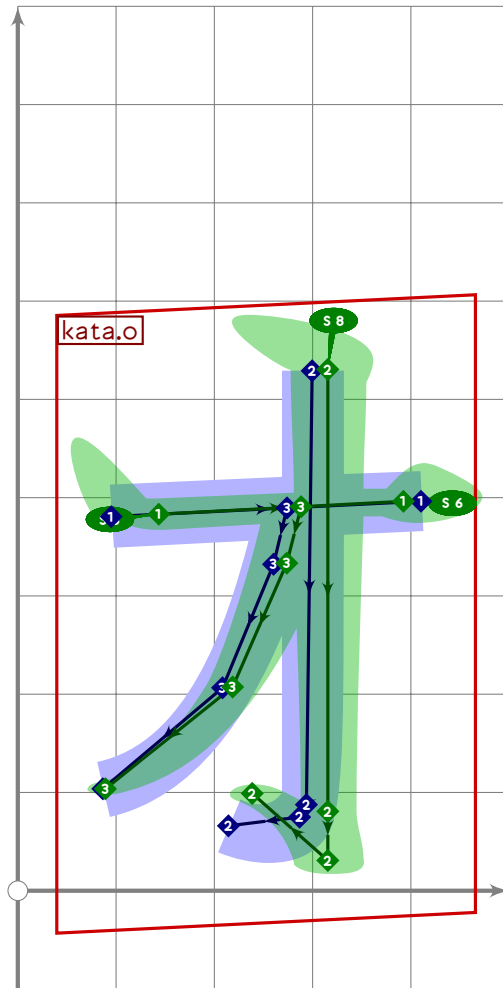
```



```

785 % katakana "small e"
786 begintsuglyph("uniFF6A",106);
787 tsu_xform(tsu_xf.smallkana)(tsu_curve.kata.e);
788 tsu_render;
789 endtsuglyph;
790

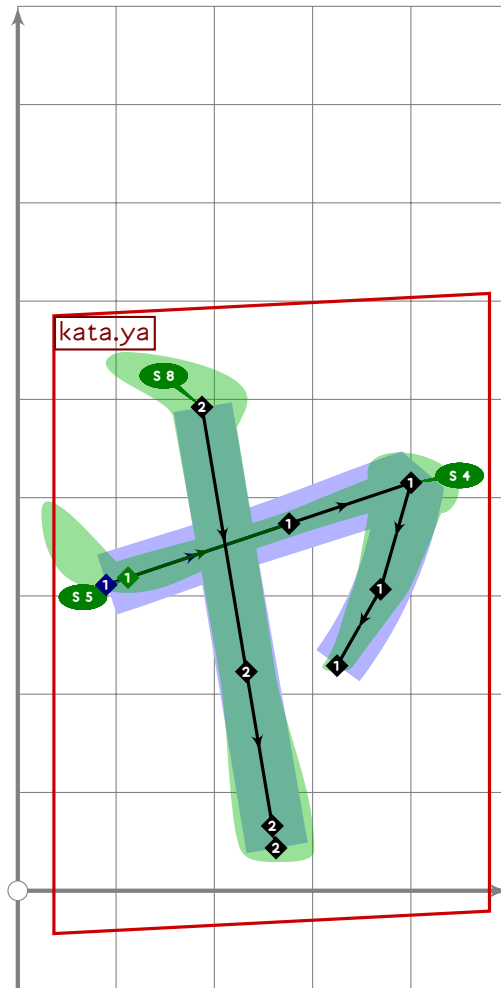
```



```

791 % katakana "small o"
792 begint Suglyph("uniFF6B";107);
793 tsu_xform(tsu_xf.smallkana)(tsu_curve.kata.o);
794 tsu_render;
795 endtsuglyph;
796

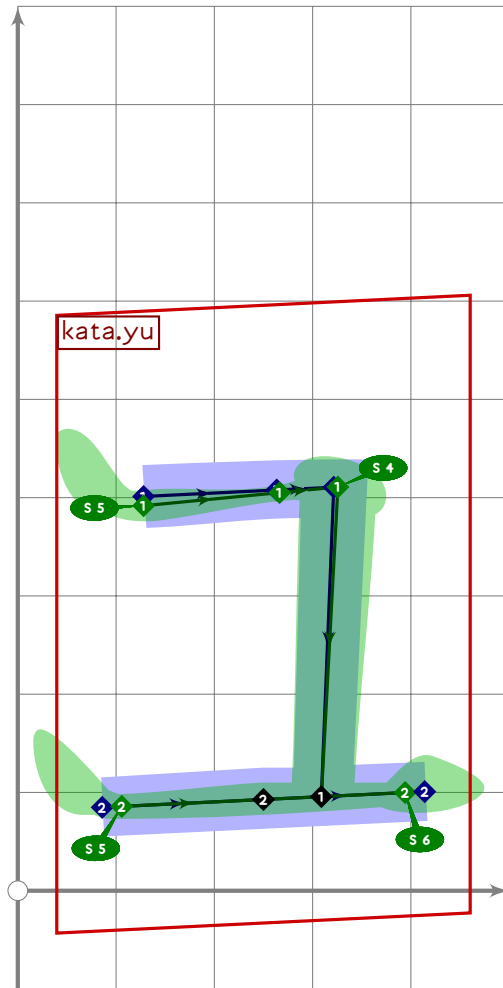
```



```

797 % katakana "small ya"
798 begintsuglyph("uniFF6C",108);
799 tsu_xform(tsu_xf.smallkana)(tsu_curve.kata.ya);
800 tsu_render;
801 endtsuglyph;
802

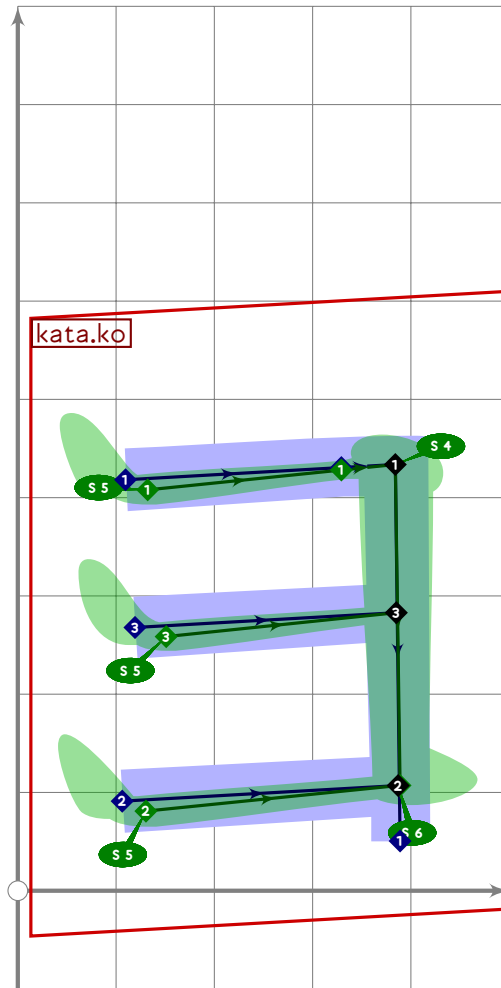
```

```

803 % katakana "small yu"
804 begintsuglyph("uniFF6D",109);
805 tsu_xform(tsu_xf.smallkana)(tsu_curve.kata.yu);
806 tsu_render;
807 endtsuglyph;
808

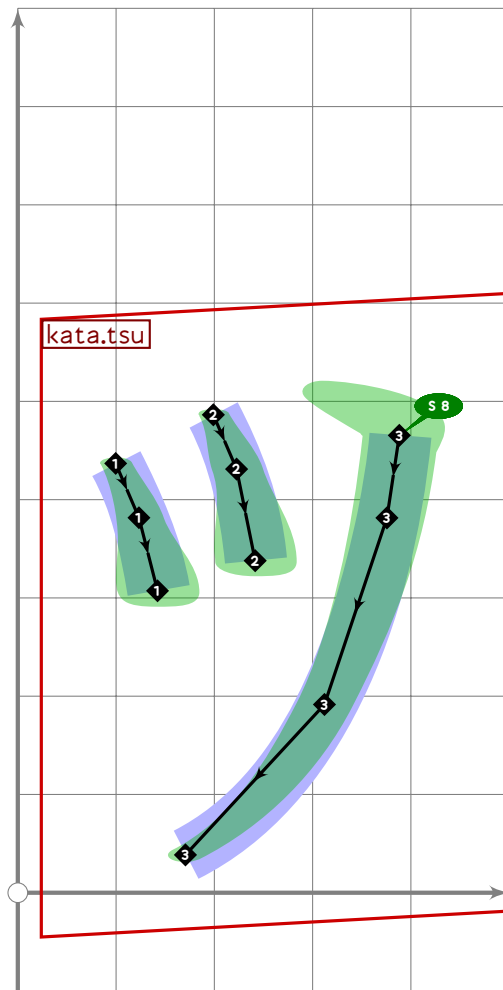
```



```

809 % katakana "small yo"
810 begintsuglyph("uniFF6E",110);
811 tsu_xform(tsu_xf.smallkana)(tsu_curve.kata.yo);
812 tsu_render;
813 endtsuglyph;
814

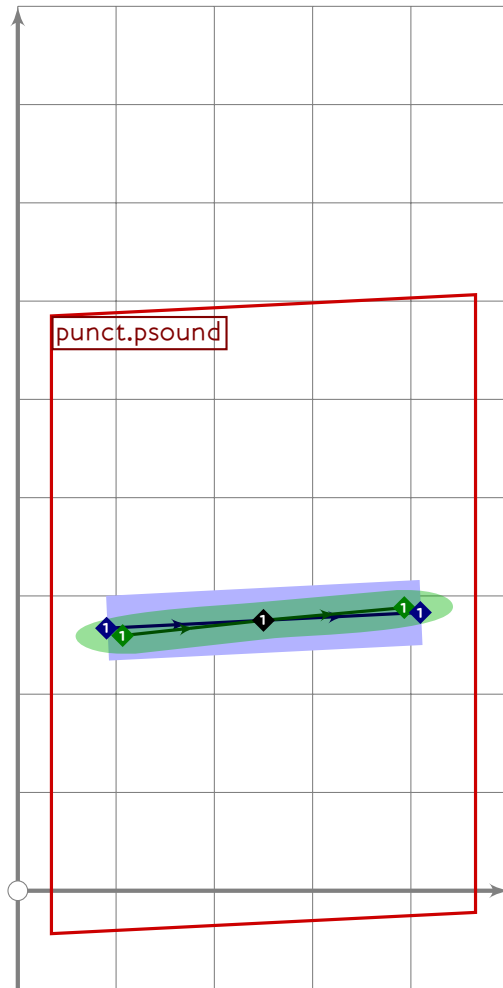
```



```

815 % katakana "small tsu"
816 begintsuglyph("uniFF6F",111);
817 tsu_xform(tsu_xf.smallkana)(tsu_curve.kata.tsu);
818 tsu_render;
819 endtsuglyph;
820

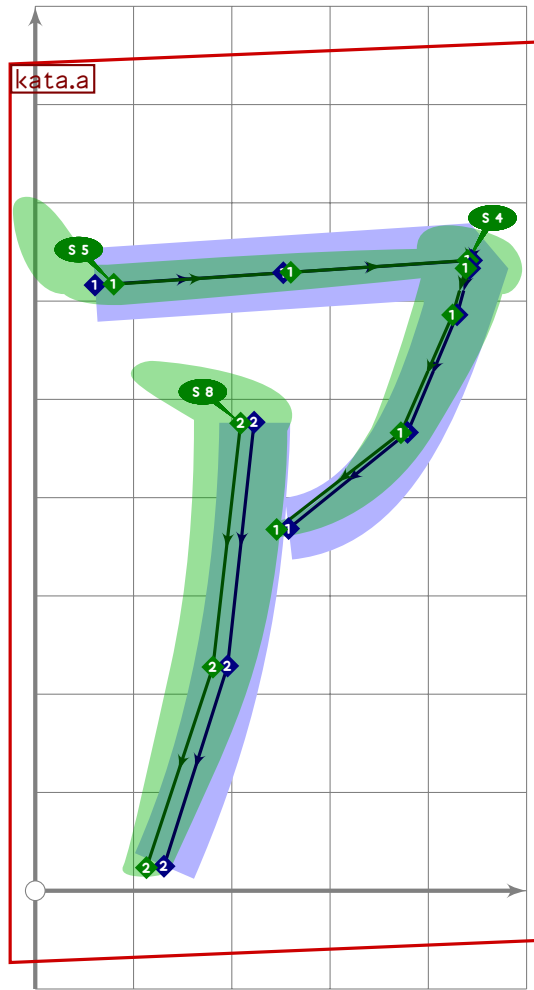
```



```

821 % hira/kata "prolonged sound mark"
822 begintsuglyph("uniFF70";112);
823 tsu_xform(tsu_xf.smallkana)(tsu_curve.punct.psound);
824 tsu_render;
825 endtsuglyph;
826

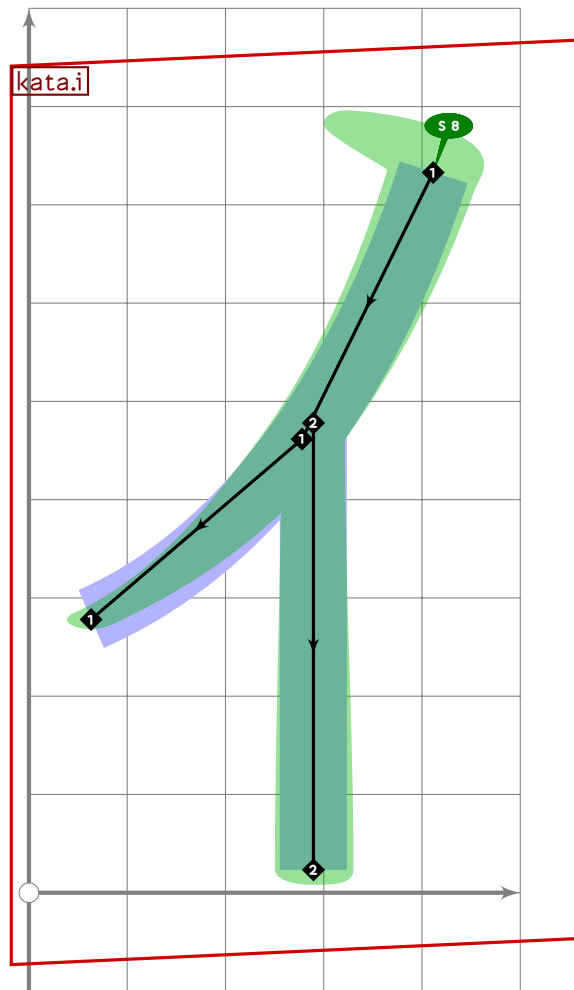
```



```

827 % katakana "a"
828 begint Suglyph("uniFF71";113);
829 tsu_curve.kata.a;
830 tsu_render;
831 endtsuglyph;
832

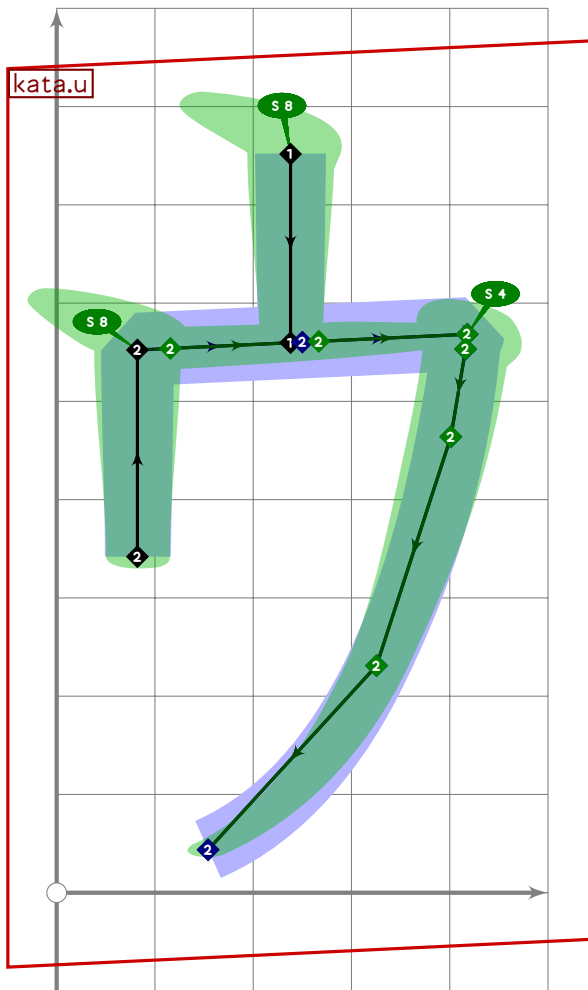
```



```

833 % katakana "i"
834 begintsuglyph("uniFF72";114);
835 tsu_curve.kata.i;
836 tsu_render;
837 endtsuglyph;
838

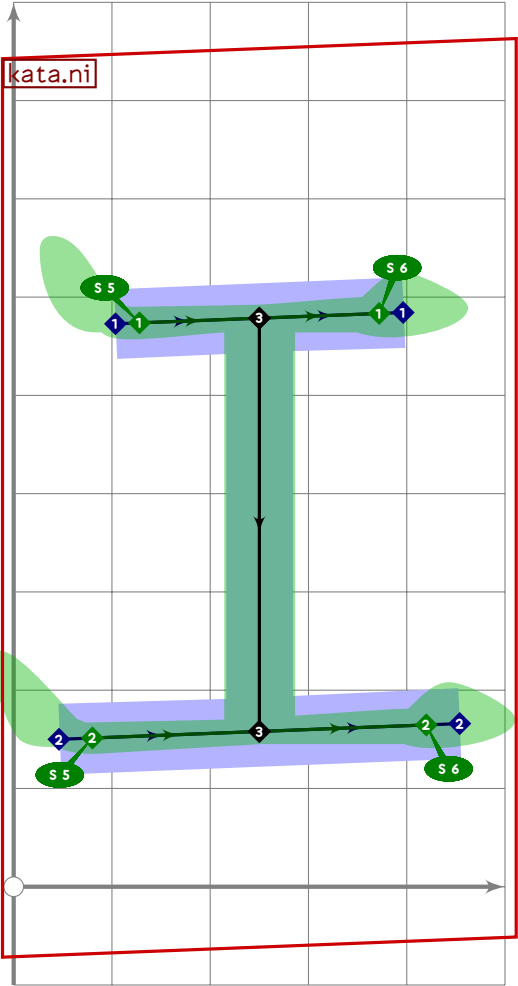
```



```

839 % katakana "u"
840 begint Suglyph("uniFF73";115);
841   tsu_curve.kata.u;
842   tsu_render;
843   endtsuglyph;
844

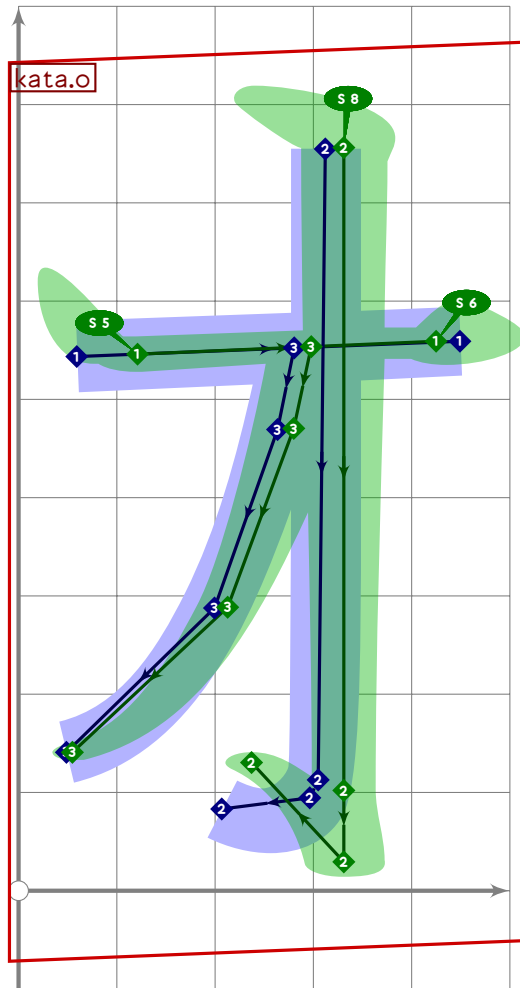
```



```

845 % katakana "e"
846 begintsuglyph("uniFF74";116);
847 tsu_curve.kata.e;
848 tsu_render;
849 endsuglyph;
850

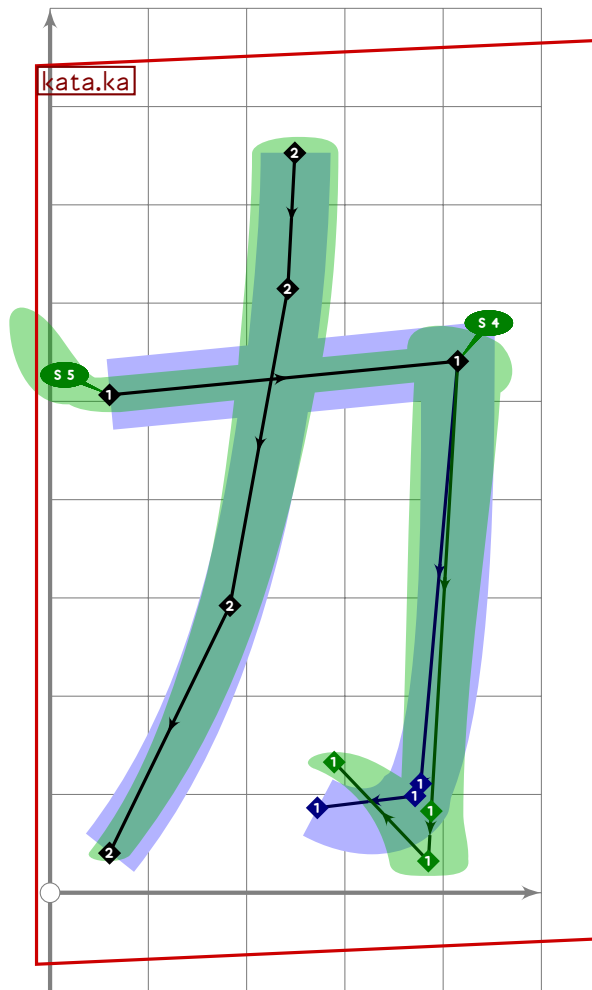
```

```

851 % katakana "o"
852 begint Suglyph("uniFF75";117);
853   tsu_curve.kata.o;
854   tsu_render;
855   endtsuglyph;
856

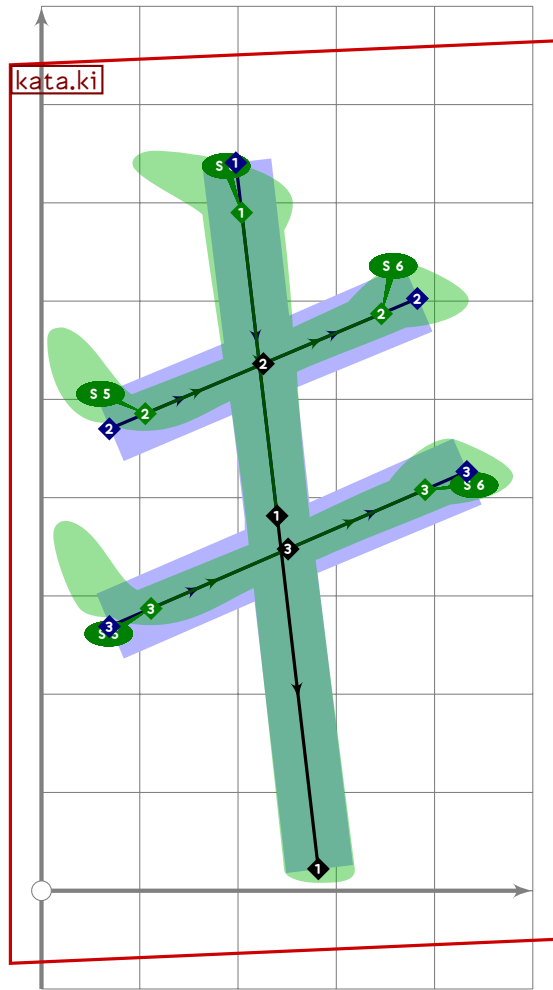
```



```

857 % katakana "ka"
858 begint Suglyph("\uniFF76";118);
859   tsu_curve.kata.ka;
860   tsu_render;
861   endtsuglyph;
862

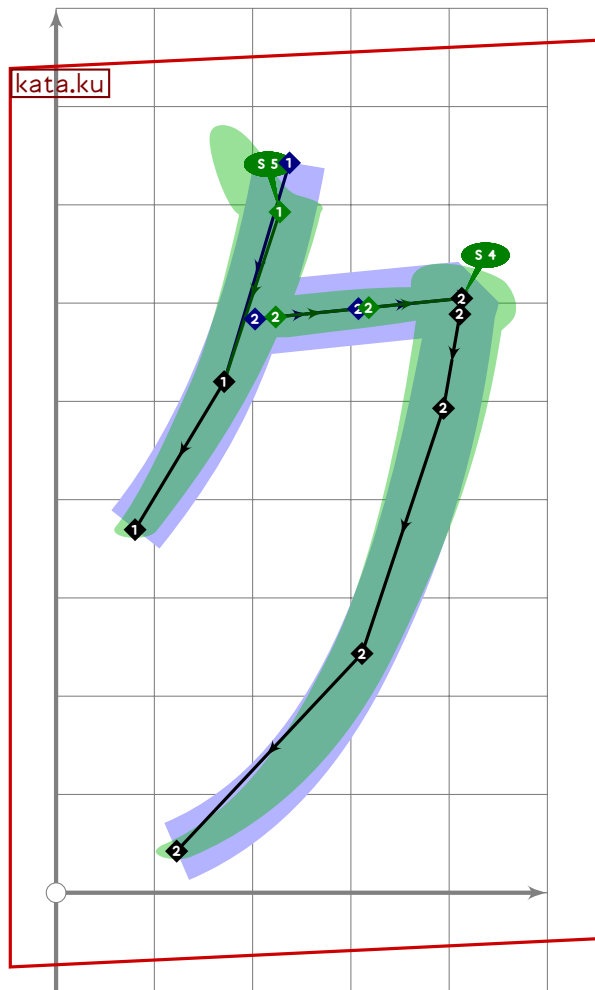
```



```

863 % katakana "ki"
864 begintsuglyph("uniFF77";119);
865 tsu_curve.kata.ki;
866 tsu_render;
867 endsuglyph;
868

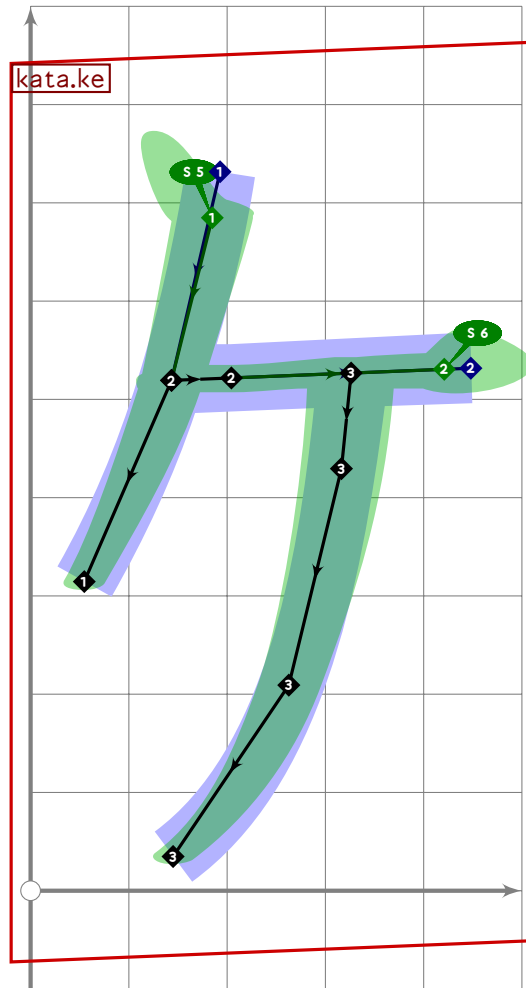
```



```

869 % katakana "ku"
870 begint Suglyph("uniFF78",120);
871 tsu_curve.kata.ku;
872 tsu_render;
873 endtsuglyph;
874

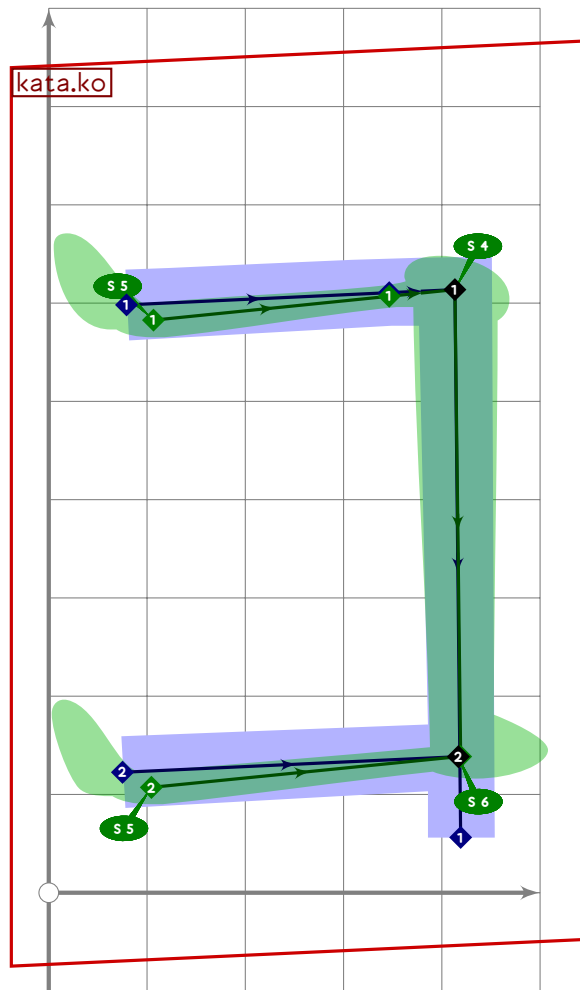
```



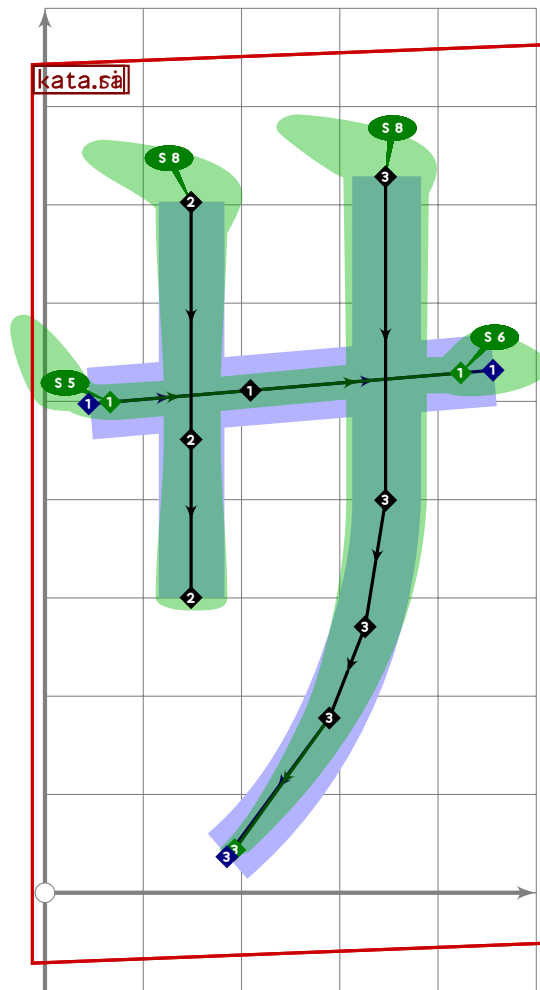
```

875 % katakana "ke"
876 begintsuglyph("uniFF79";121);
877 tsu_curve.kata.ke;
878 tsu_render;
879 endsuglyph;
880

```



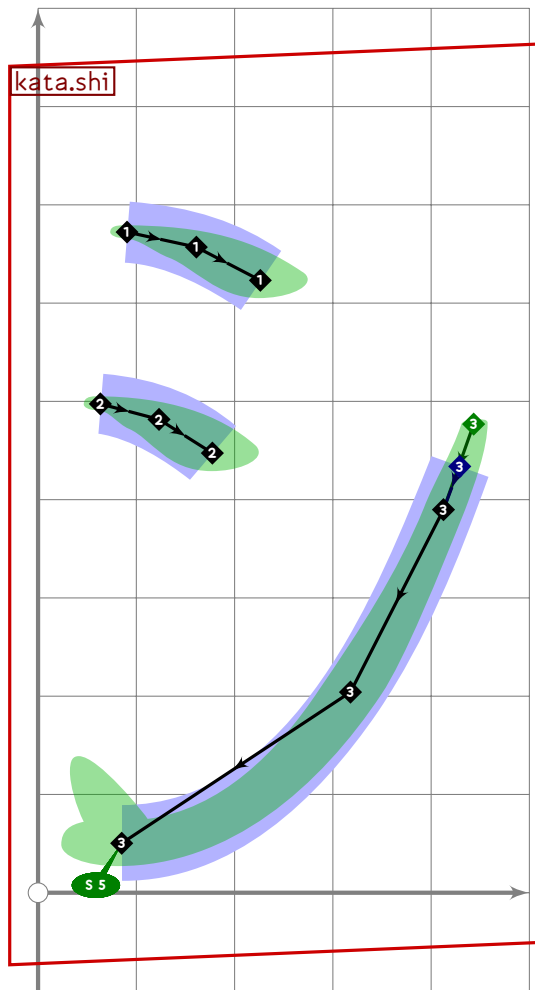
```
881 % katakana "ko"  
882 begint Suglyph("uniFF7A";122);  
883 tsu_curve.kata.ko;  
884 tsu_render;  
885 endtsuglyph;  
886
```



```

887 % katakana "sa"
888 begintsuglyph("uniFF7B";123);
889 tsu_curve.kata.sa;
890 tsu_render;
891 endsuglyph;
892

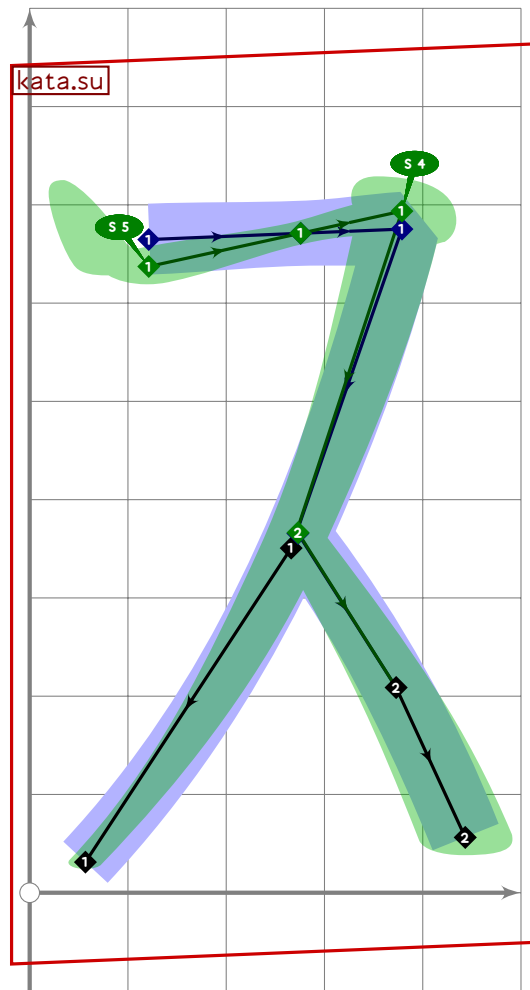
```



```

893 % katakana "shi"
894 begintsuglyph("uniFF7C",124);
895 tsu_curve.kata.shi;
896 tsu_render;
897 endtsuglyph;
898

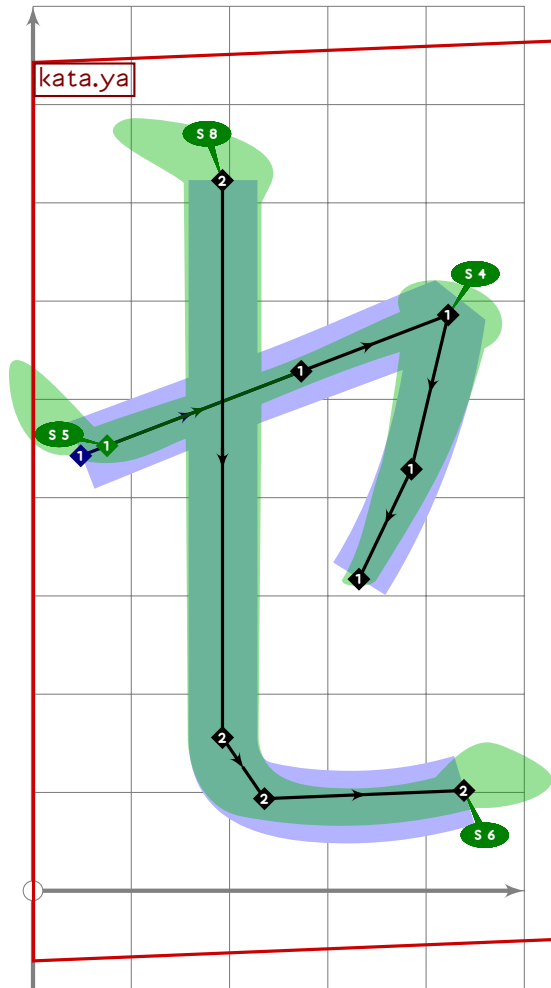
```

```

899 % katakana "su"
900 begint Suglyph("uniFF7D";125);
901   tsu_curve.kata.su;
902   tsu_render;
903   endtsuglyph;
904

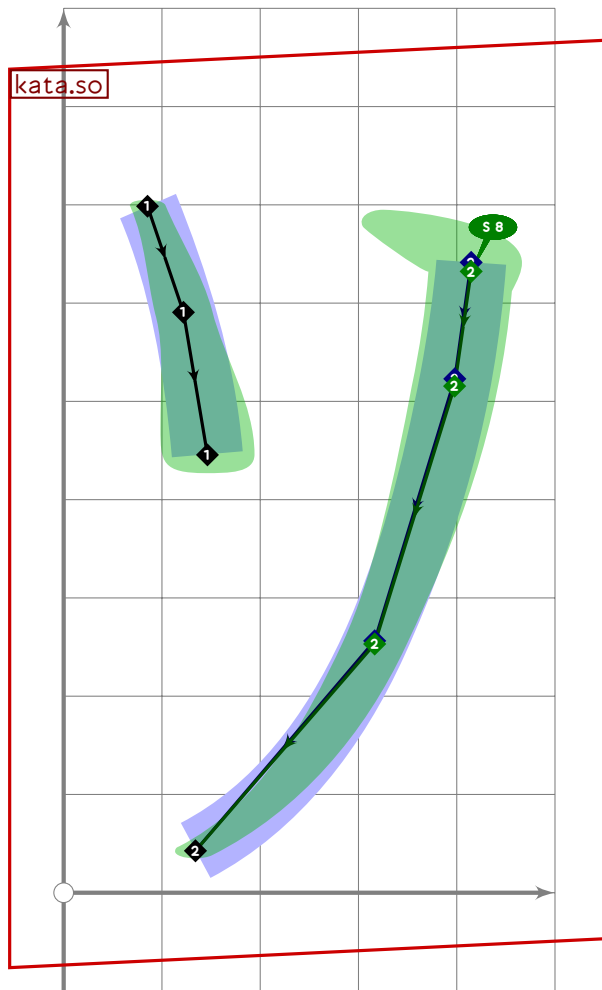
```



```

905 % katakana "se"
906 begint Suglyph("uniFF7E";126);
907   tsu_curve.kata.se;
908   tsu_render;
909 endtsuglyph;
910

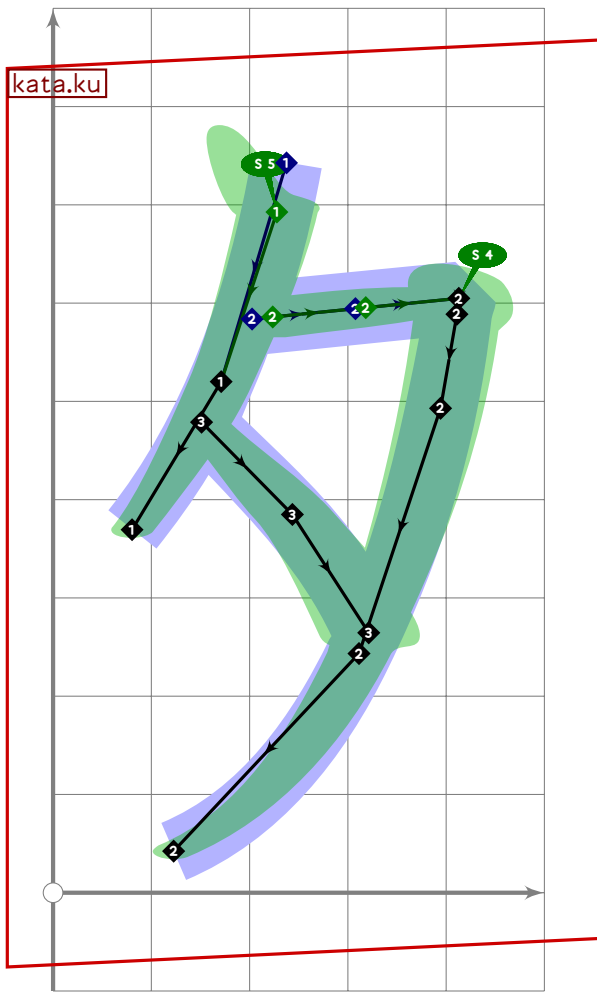
```



```

911 % katakana "so"
912 begint Suglyph("uniFF7F",127);
913   tsu_curve.kata.so;
914   tsu_render;
915   endtsuglyph;
916

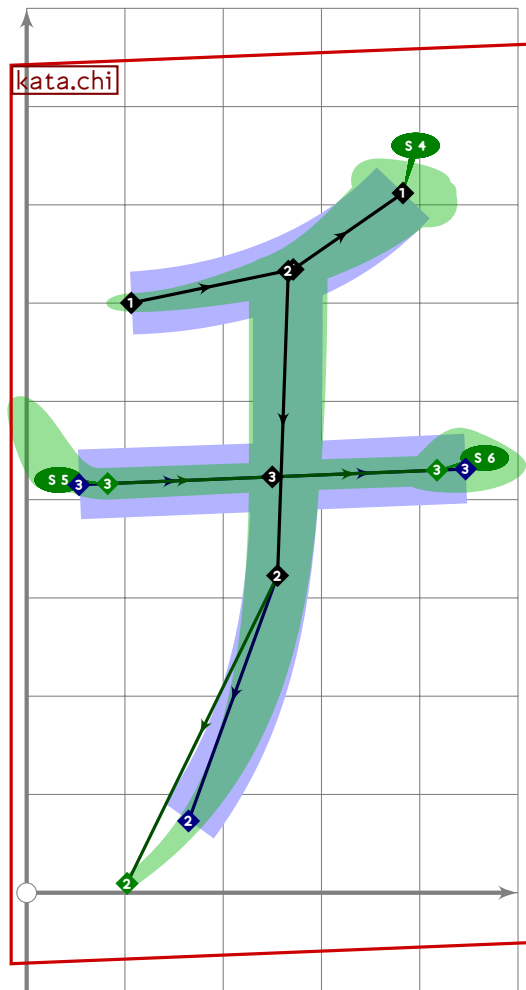
```



```

917 % katakana "ta"
918 begint Suglyph("\uniFF80",128);
919 tsu_curve.kata.ta;
920 tsu_render;
921 endtsuglyph;
922

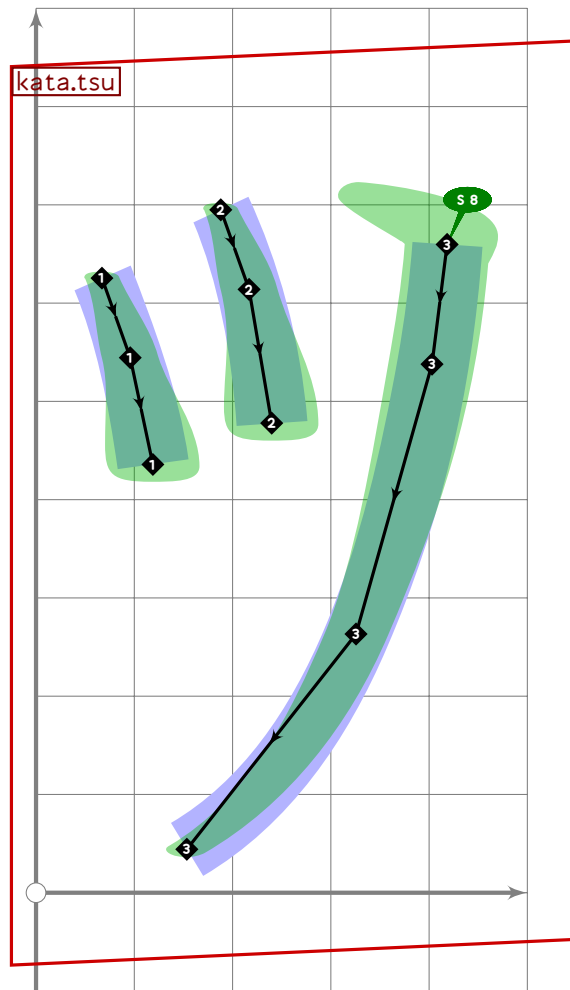
```



```

923 % katakana "chi"
924 begintsuglyph("uniFF81";129);
925 tsu_curve.kata.chi;
926 tsu_render;
927 endtsuglyph;
928

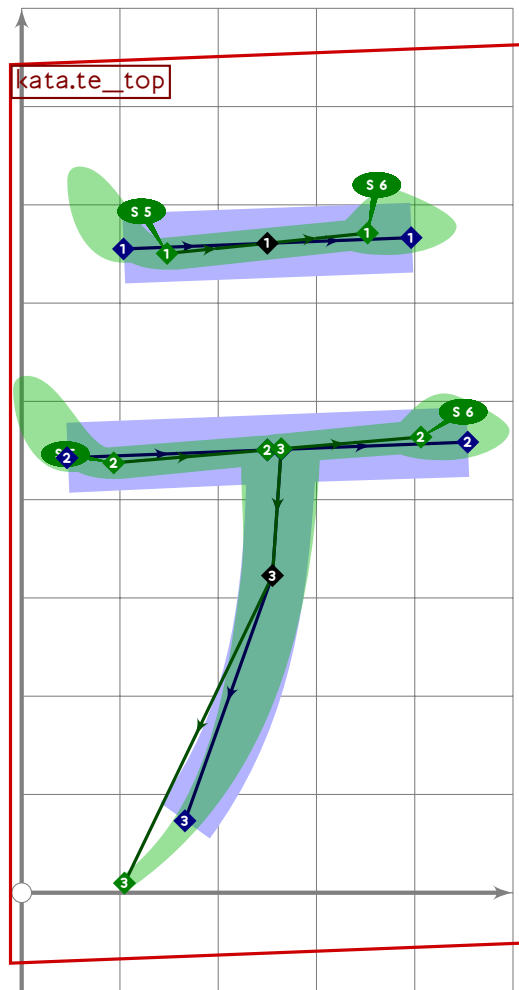
```



```

929 % katakana "tsu"
930 begint Suglyph("uniFF82",130);
931   tsu_curve.kata.tsu;
932   tsu_render;
933   endtsuglyph;
934

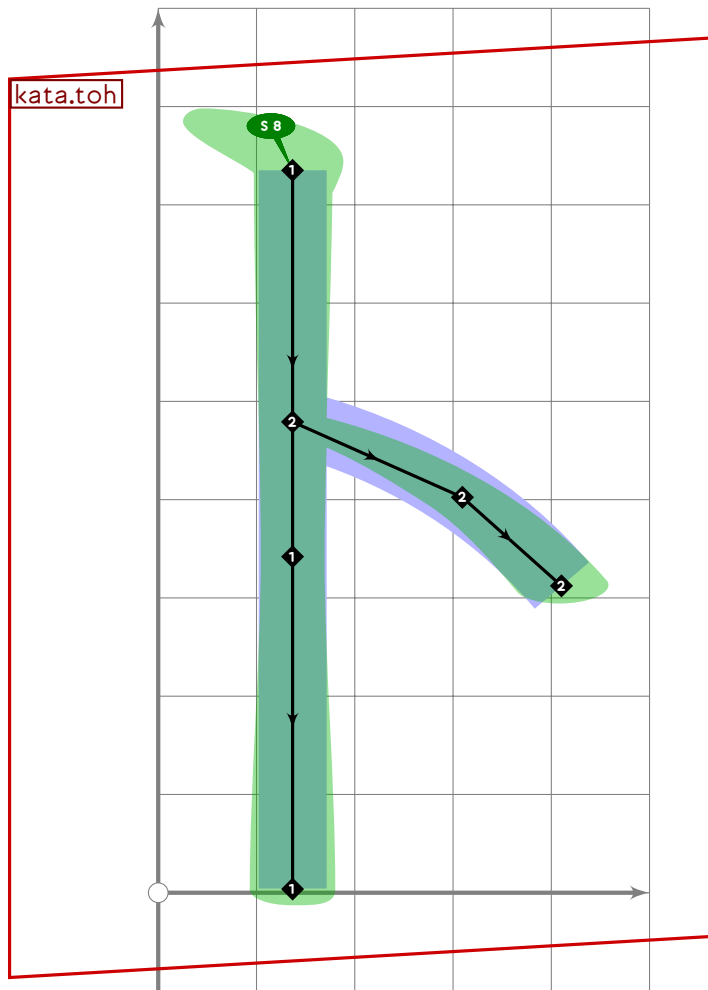
```



```

935 % katakana "te"
936 begint Suglyph("uniFF83",131);
937 tsu_curve.kata.te;
938 tsu_render;
939 endtsuglyph;
940

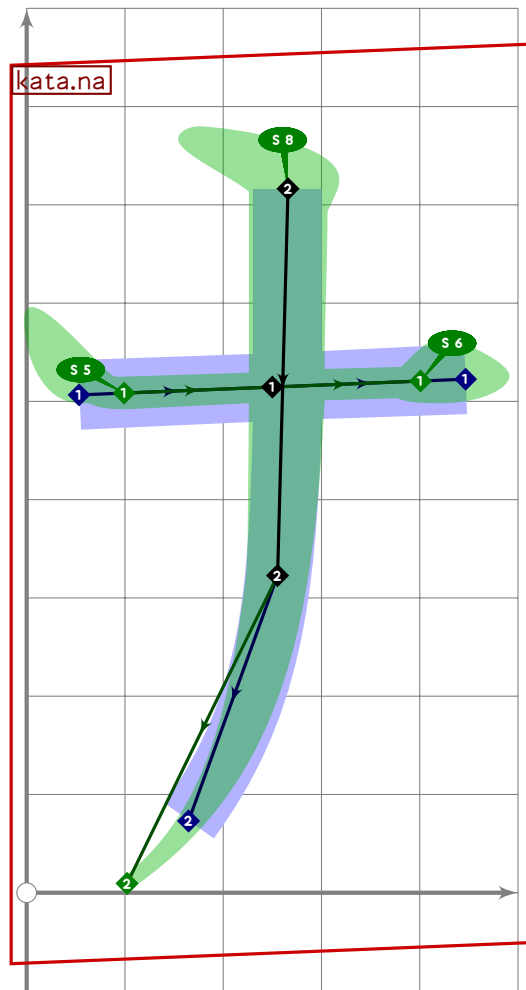
```



```

941 % katakana "to"
942 begintsuglyph("uniFF84",132);
943 tsu_curve.kata.toh;
944 tsu_render;
945 endtsuglyph;
946

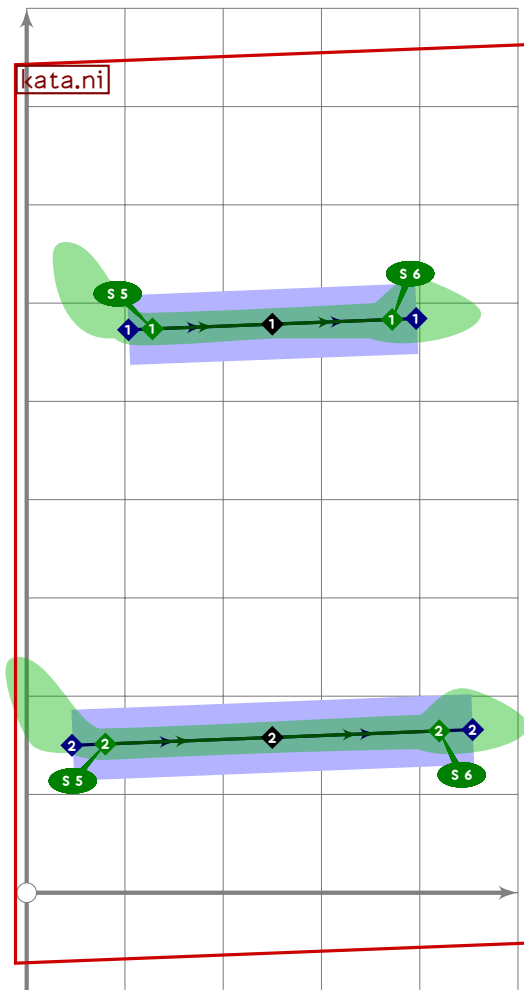
```

```

947 % katakana "na"
948 begintsuglyph("uniFF85",133);
949 tsu_curve.kata.na;
950 tsu_render;
951 endtsuglyph;
952

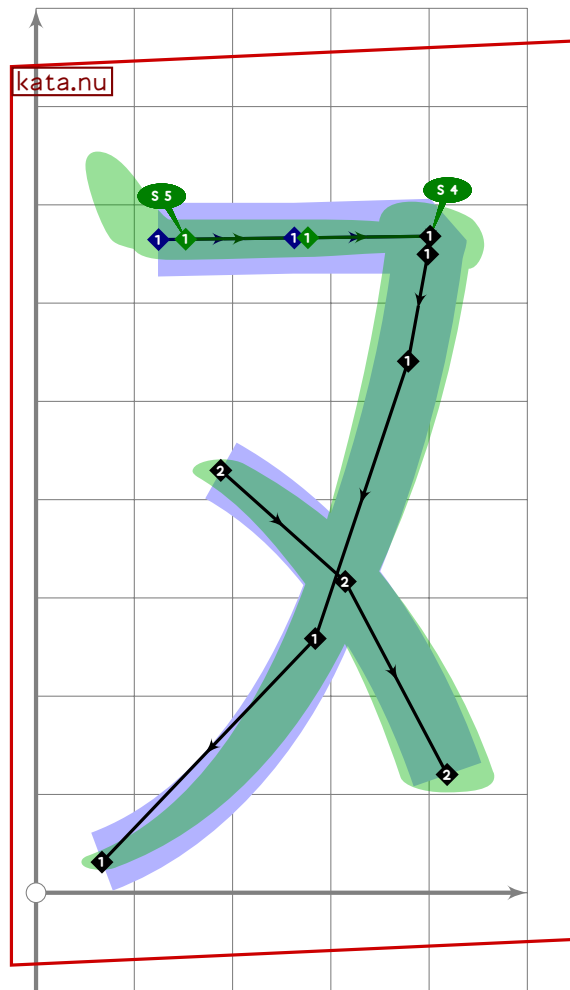
```



```

953 % katakana "ni"
954 begintsuglyph("uniFF86",134);
955 tsu_curve.kata.ni;
956 tsu_render;
957 endsuglyph;
958

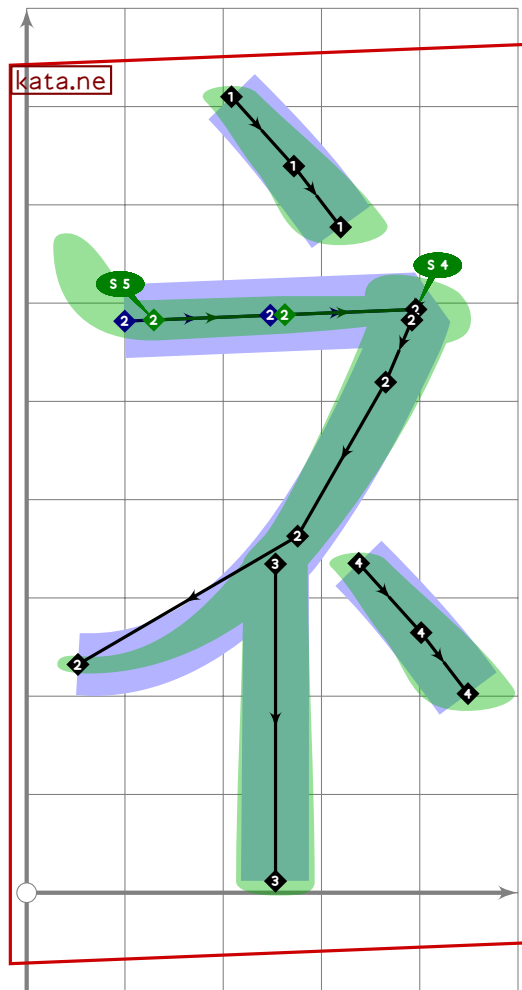
```



```

959 % katakana "nu"
960 begint Suglyph("uniFF87",135);
961   tsu_curve.kata.nu;
962   tsu_render;
963   endtsuglyph;
964

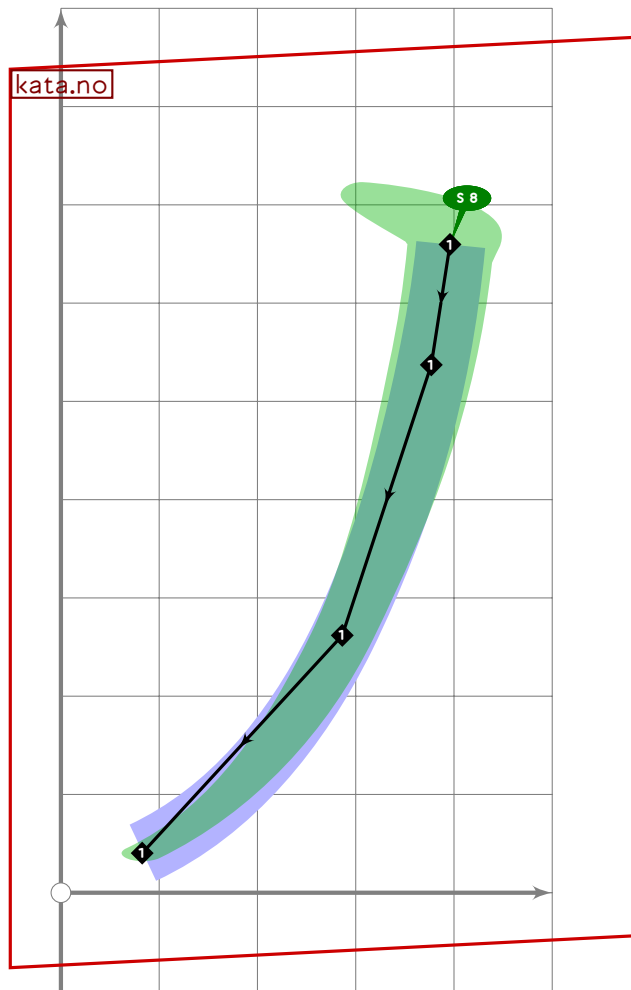
```



```

965 % katakana "ne"
966 begintsuglyph("uniFF88",136);
967 tsu_curve.kata.ne;
968 tsu_render;
969 endtsuglyph;
970

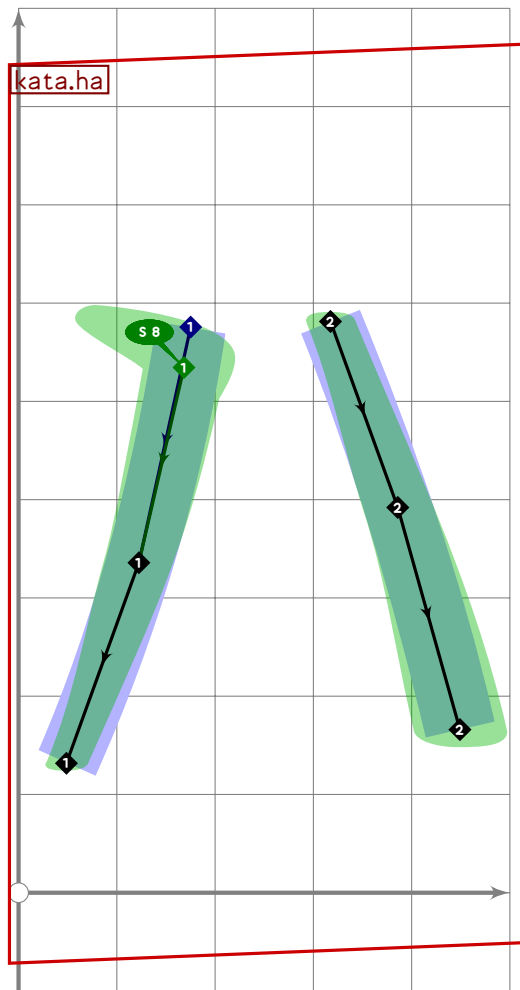
```



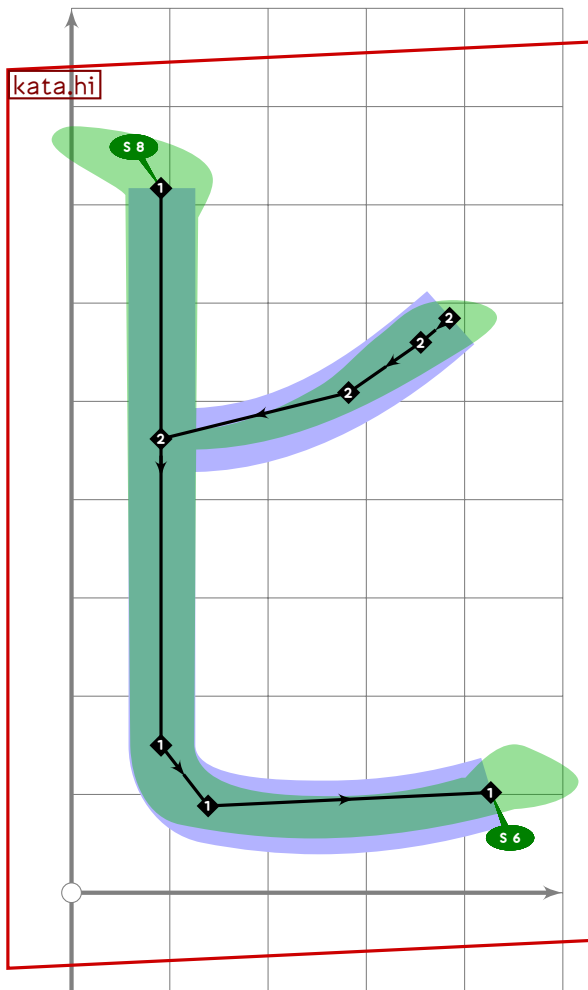
```

971 % katakana "no"
972 begintsuglyph("uniFF89",137);
973 tsu_curve.kata.no;
974 tsu_render;
975 endtsuglyph;
976

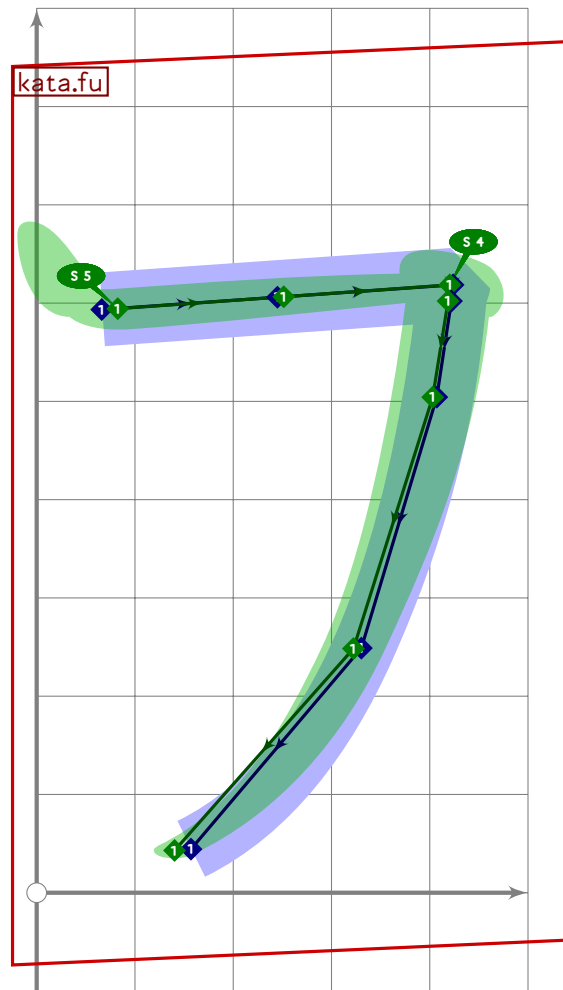
```



```
977 % katakana "ha"  
978 begintsuglyph("uniFF8A",138);  
979 tsu_curve.kata.ha;  
980 tsu_render;  
981 endtsuglyph;  
982
```



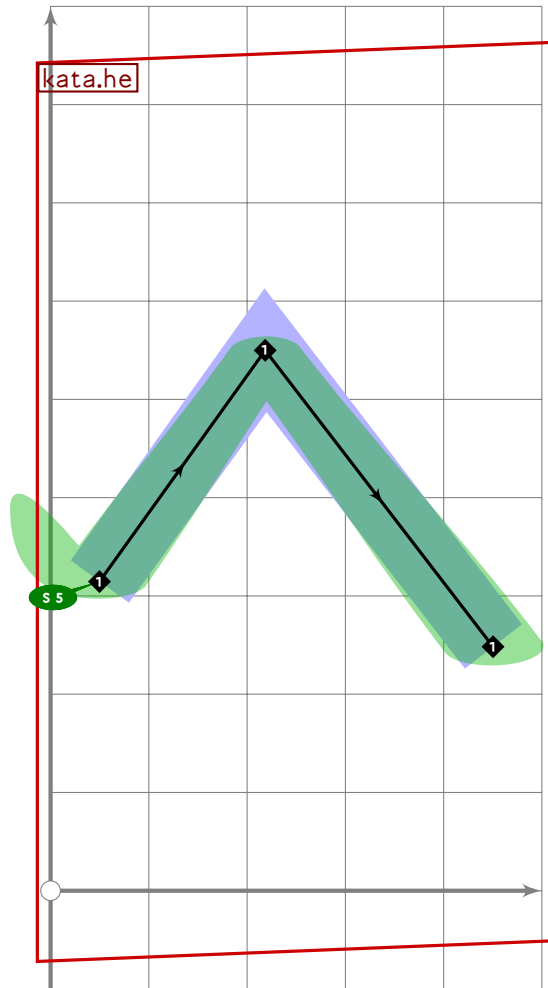
```
983 % katakana "hi"  
984 begintsuglyph("uniFF8B",139);  
985 tsu_curve.kata,hi;  
986 tsu_render;  
987 endtsuglyph;  
988
```



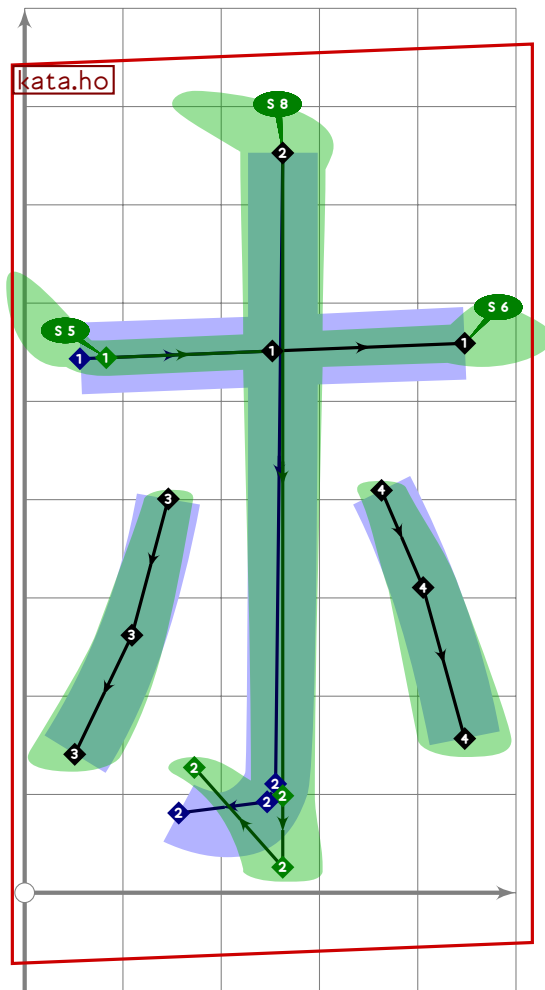
```

989 % katakana "fu"
990 begint Suglyph("uniFF8C";140);
991   tsu_curve.kata.fu;
992   tsu_render;
993   endtsuglyph;
994

```

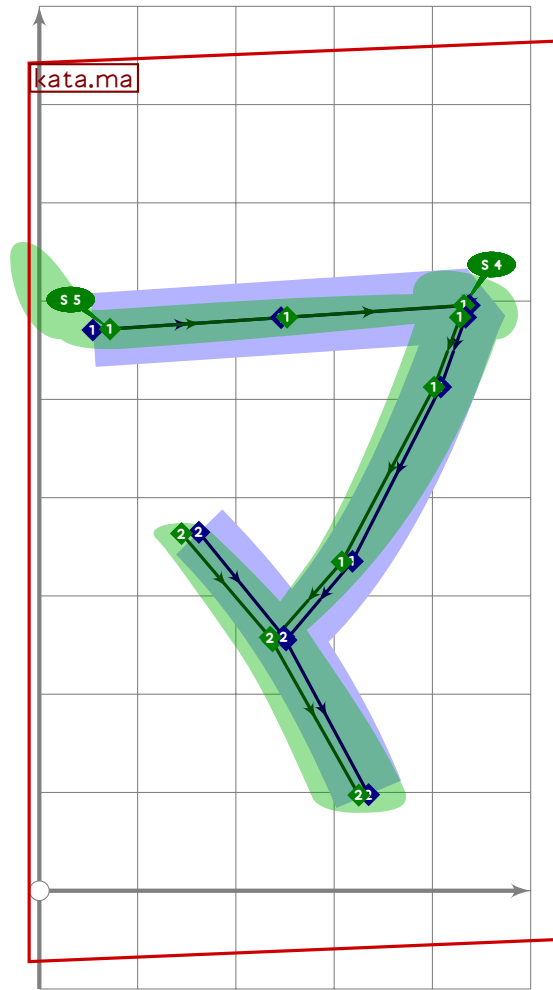
```
995 % katakana "he"  
996 begintsuglyph("uniFF8D";141);  
997 tsu_curve.kata.he;  
998 tsu_render;  
999 endsuglyph;  
1000
```



```

1001 % katakana "ho"
1002 begint Suglyph("uniFF8E",142);
1003   tsu_curve.kata.ho;
1004   tsu_render;
1005   endtsuglyph;
1006

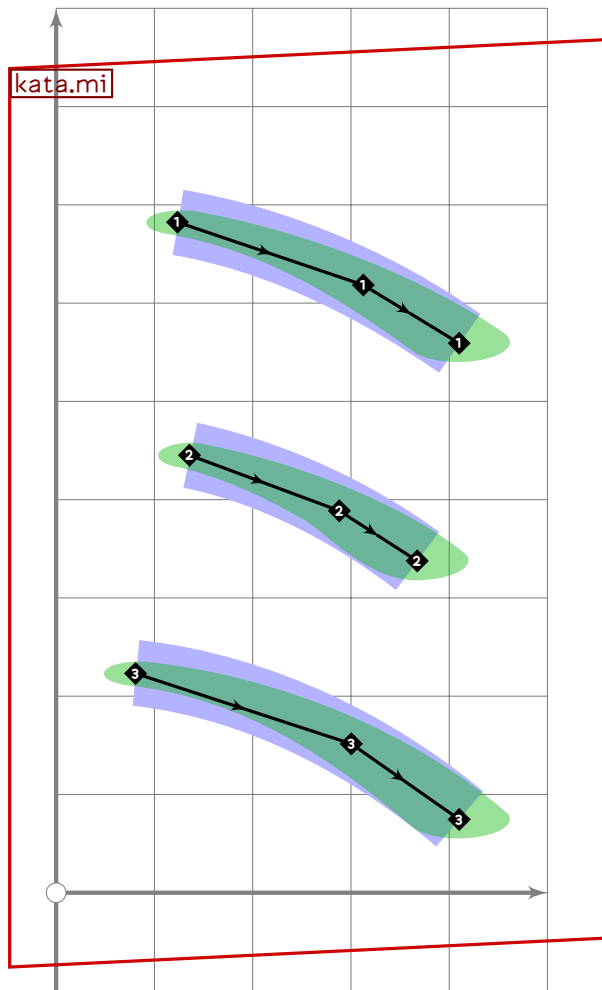
```



```

1007 % katakana "ma"
1008 begint Suglyph("uniFF8F",143);
1009   tsu_curve.kata.ma;
1010   tsu_render;
1011   endtsuglyph;
1012

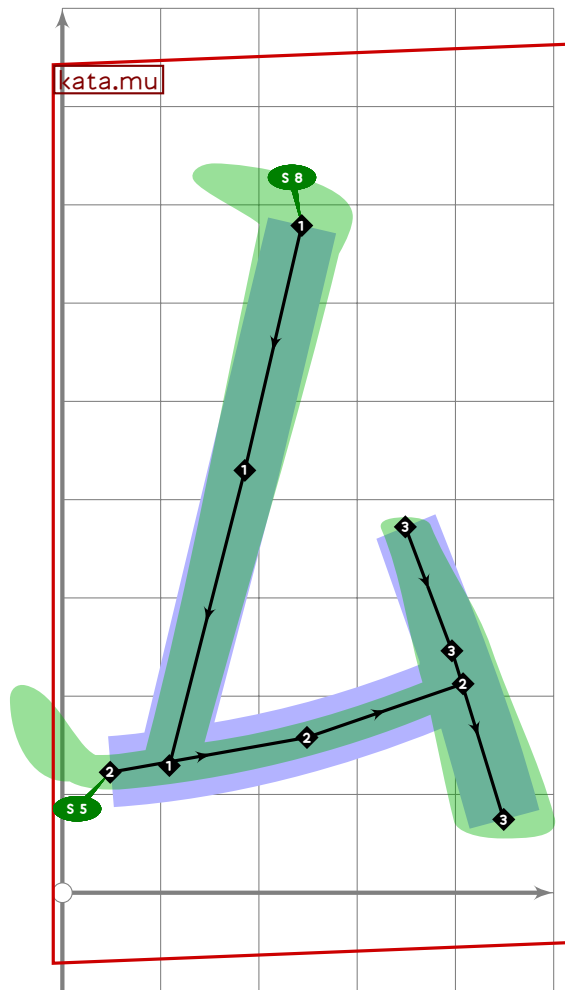
```



```

1013 % katakana "mi"
1014 begintsuglyph("uniFF90",144);
1015 tsu_curve.kata.mi;
1016 tsu_render;
1017 endtsuglyph;
1018

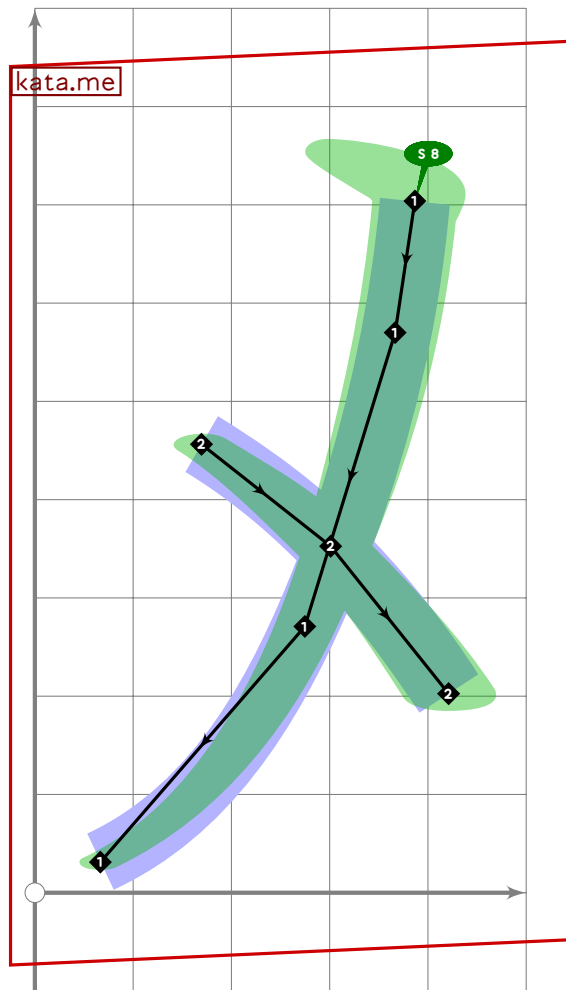
```



```

1019 % katakana "mu"
1020 begint Suglyph("uniFF91";145);
1021   tsu_curve.kata.mu;
1022   tsu_render;
1023   endtsuglyph;
1024

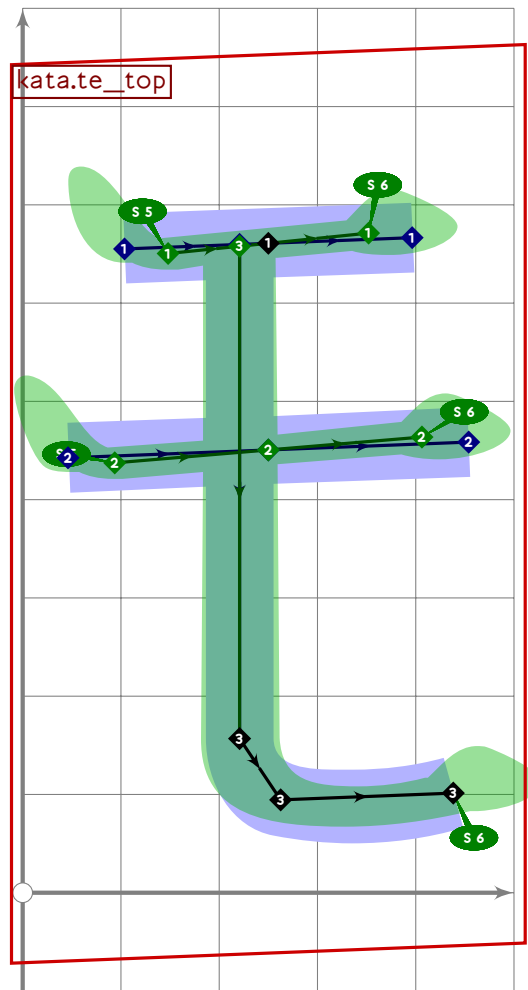
```



```

1025 % katakana "me"
1026 begintsuglyph("uniFF92";146);
1027 tsu_curve.kata.me;
1028 tsu_render;
1029 endsuglyph;
1030

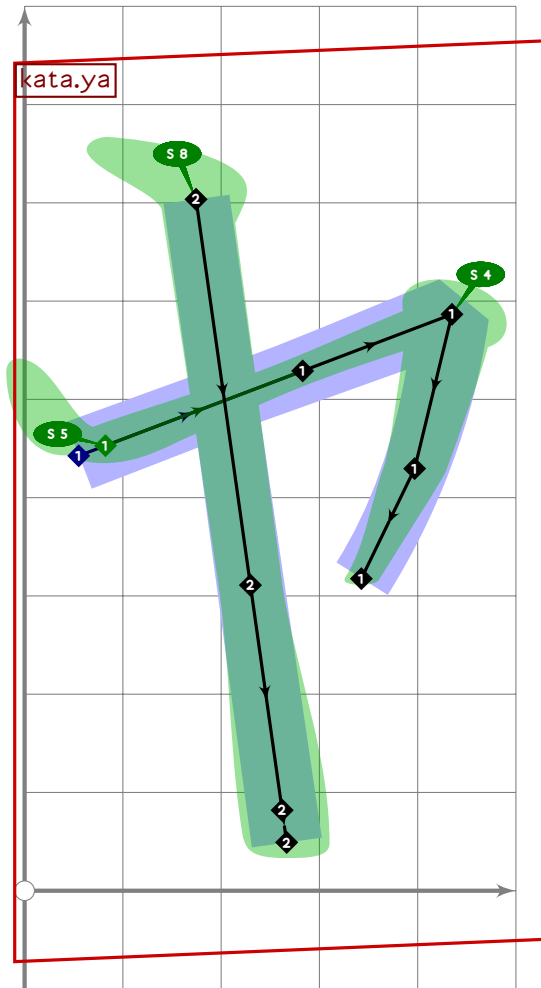
```



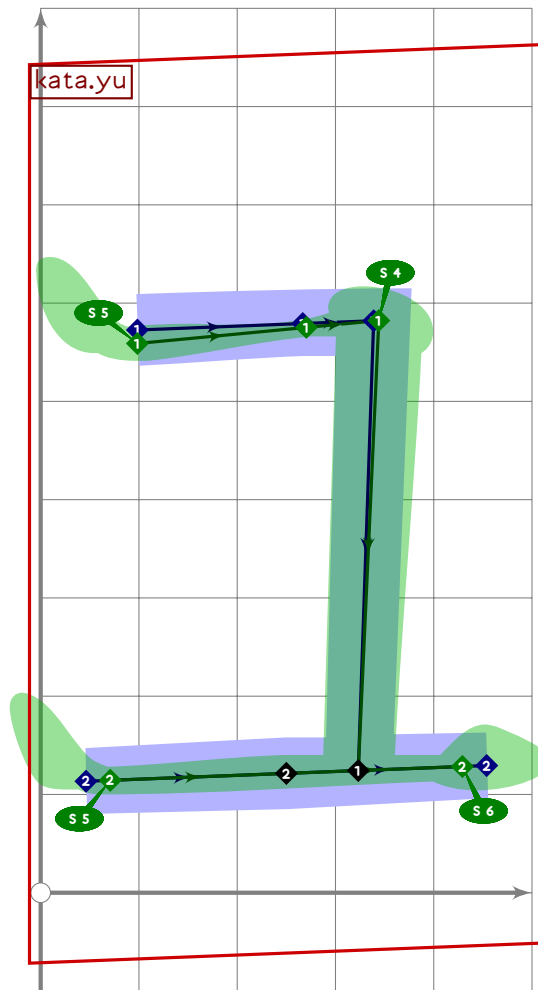
```

1031 % katakana "mo"
1032 begint Suglyph("uniFF93";147);
1033   tsu_curve.kata.mo;
1034   tsu_render;
1035   endtsuglyph;
1036

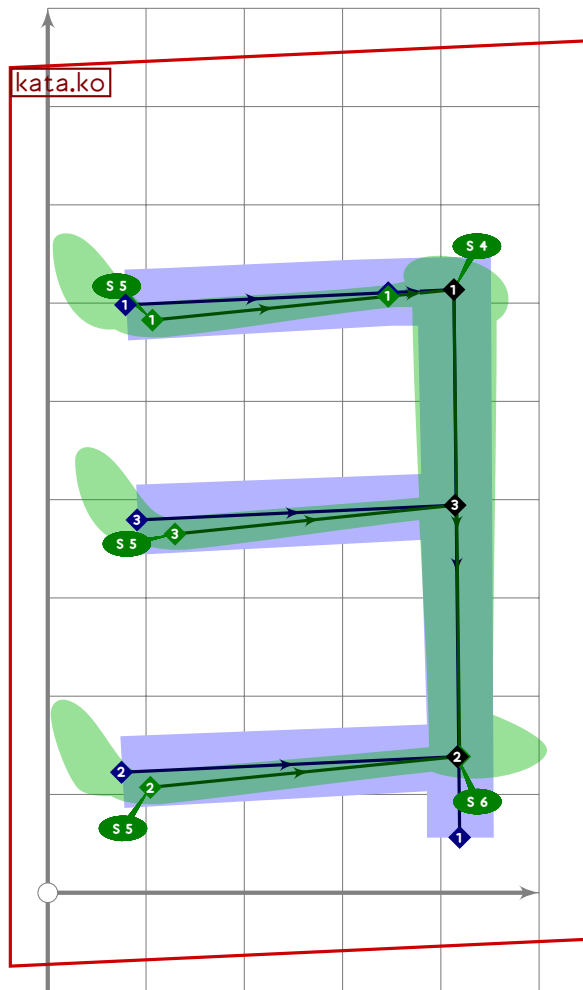
```



```
1037 % katakana "ya"  
1038 begintsuglyph("uniFF94",148);  
1039 tsu_curve.kata.ya;  
1040 tsu_render;  
1041 endsuglyph;  
1042
```

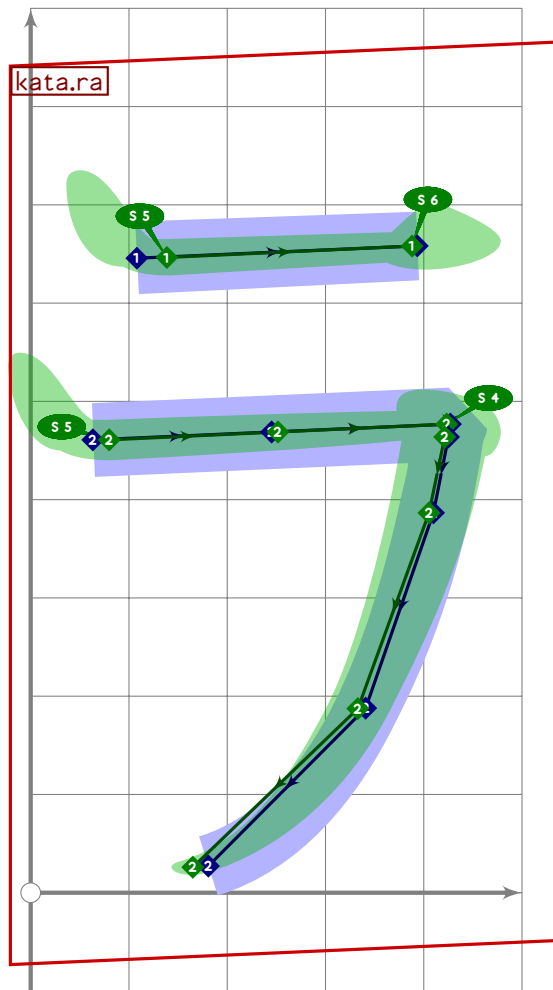
```
1043 % katakana "yu"  
1044 begintsuglyph("uniFF95";149);  
1045 tsu_curve.kata.yu;  
1046 tsu_render;  
1047 endtsuglyph;  
1048
```



```

1049 % katakana "yo"
1050 begint Suglyph("uniFF96",150);
1051 tsu_curve.kata.yo;
1052 tsu_render;
1053 endtsuglyph;
1054

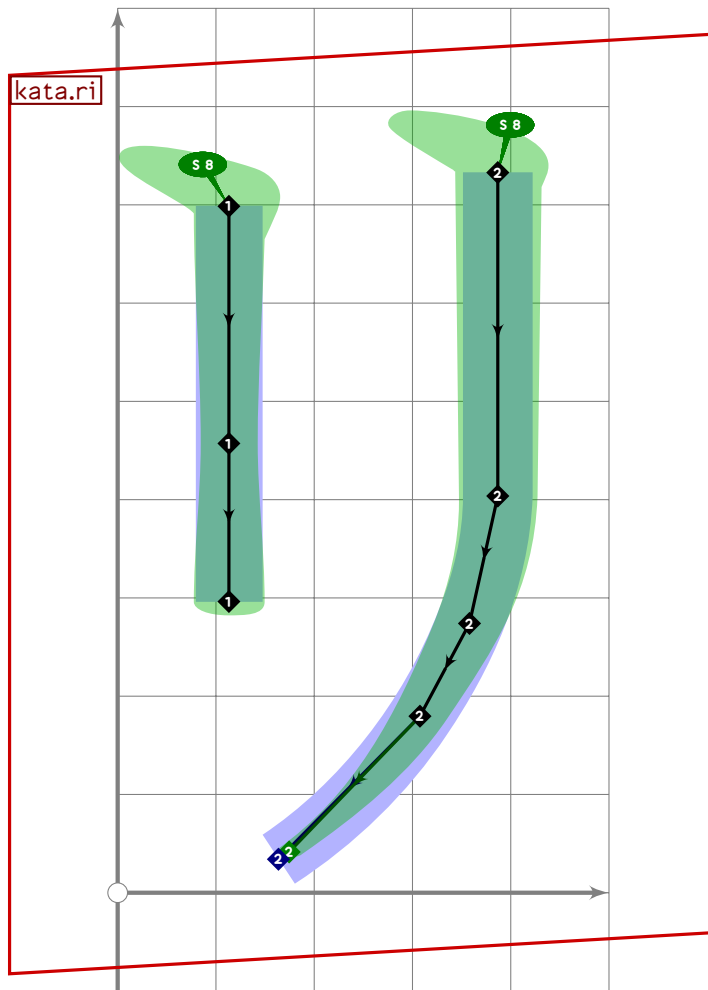
```



```

1055 % katakana "ra"
1056 begintsuglyph("uniFF97";151);
1057 tsu_curve.kata.ra;
1058 tsu_render;
1059 endsuglyph;
1060

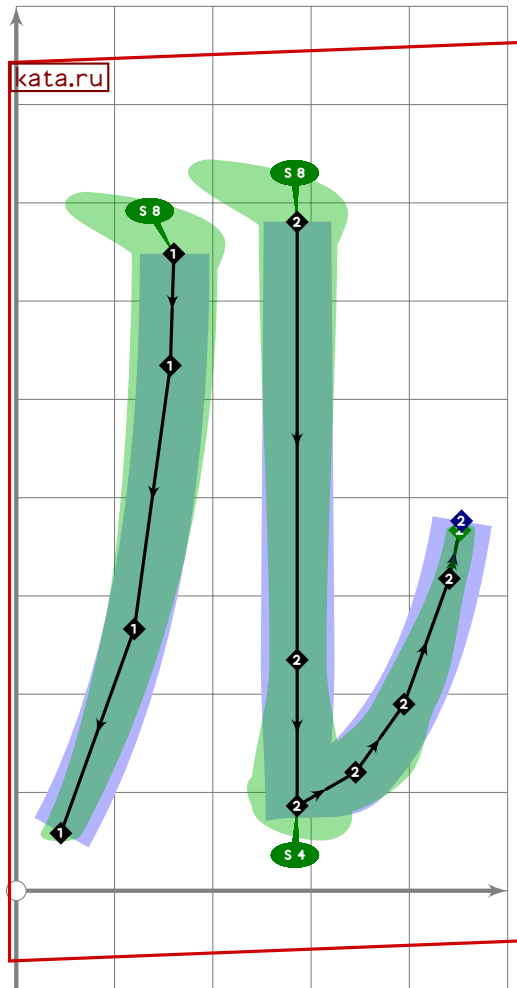
```



```

1061 % katakana "ri"
1062 begintsuglyph("uniFF98",152);
1063 tsu_curve.kata.ri;
1064 tsu_render;
1065 endsuglyph;
1066

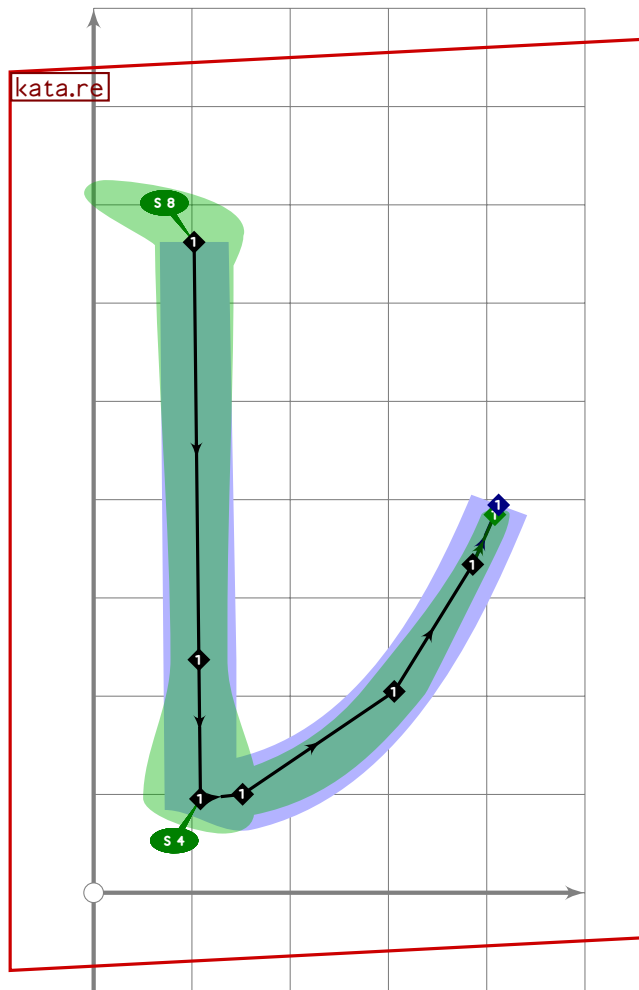
```



```

1067 % katakana "ru"
1068 begint Suglyph("uniFF99",153);
1069   tsu_curve.kata.ru;
1070   tsu_render;
1071   endtsuglyph;
1072

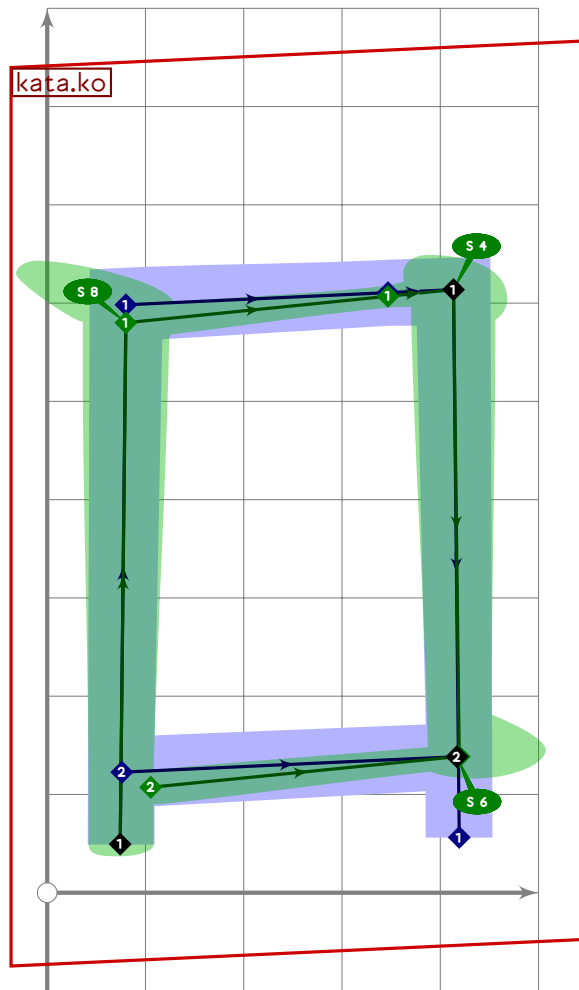
```



```

1073 % katakana "re"
1074 begintsuglyph("uniFF9A";154);
1075 tsu_curve.kata.re;
1076 tsu_render;
1077 endsuglyph;
1078

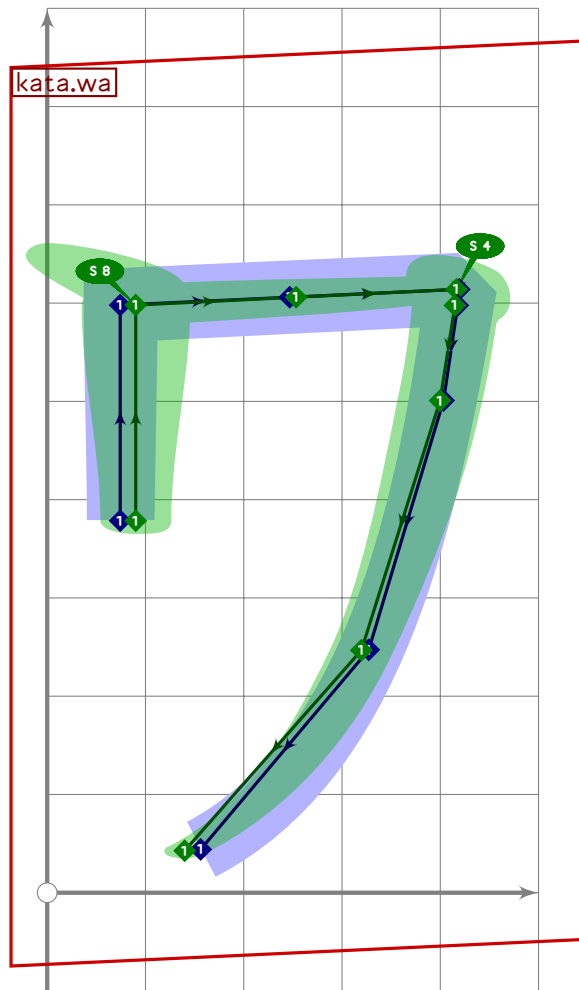
```



```

1079 % katakana "ro"
1080 begint Suglyph("uniFF9B",155);
1081   tsu_curve.kata.ro;
1082   tsu_render;
1083   endtsuglyph;
1084

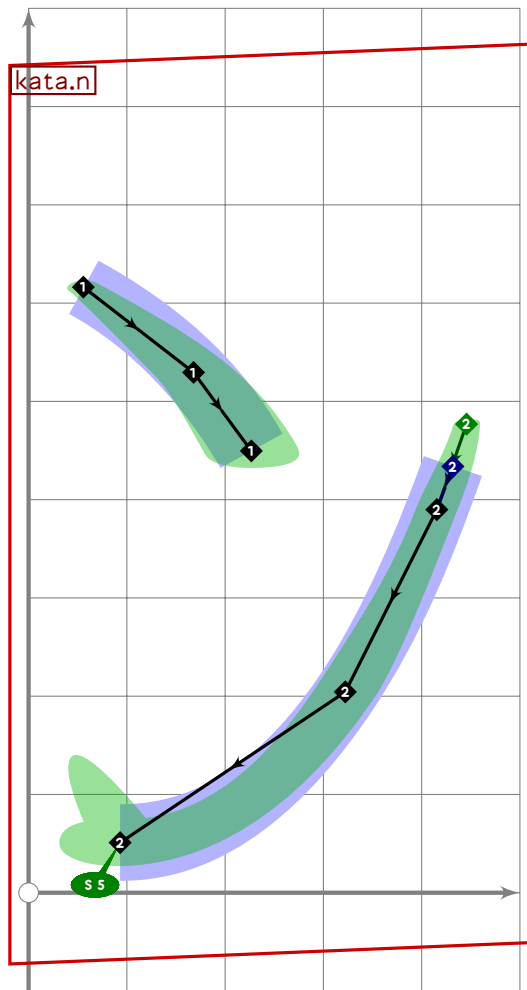
```



```

1085 % katakana "wa"
1086 begintsuglyph("uniFF9C";156);
1087 tsu_curve.kata.wa;
1088 tsu_render;
1089 endsuglyph;
1090

```

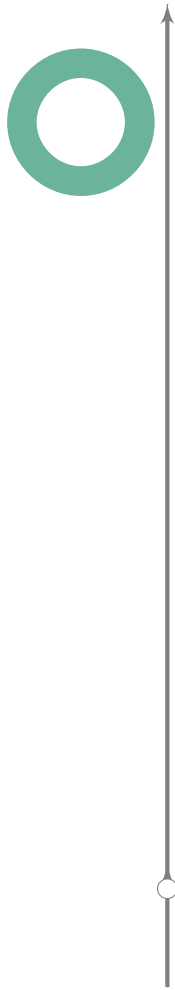
```

1091 % katakana "n"
1092 begintsuglyph("uniFF9D";157);
1093 tsu_curve.kata.n;
1094 tsu_render;
1095 endtsuglyph;
1096
1097 % WARNING changing rescale setting
1098 tsu_rescale_native_zero;
1099

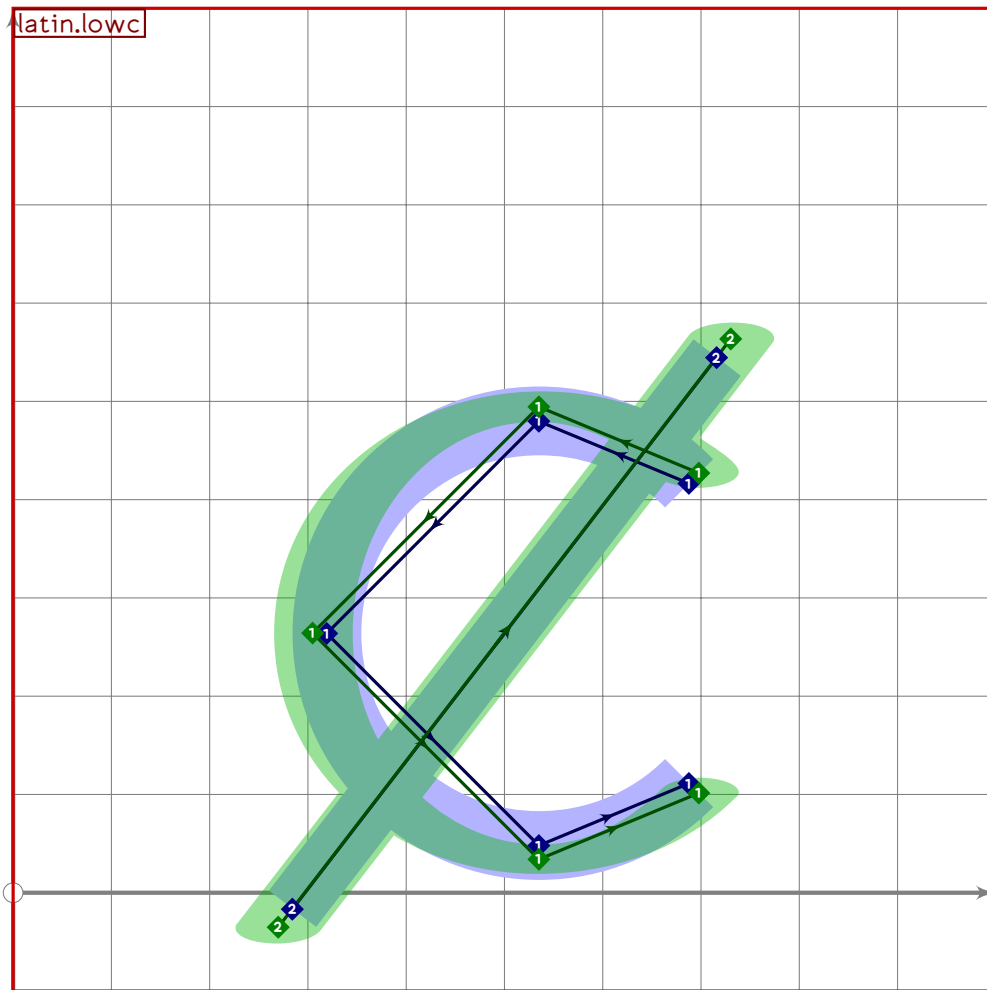
```



```
1100 % combining dakuten
1101 begintsuglyph("uniFF9E",158);
1102 tsu_curve.dakuten(identity
1103     scaled 0.8 rotated 25 shifted (-130,780) xscaled 0.7);
1104 tsu_render;
1105 endsuglyph;
1106
```



```
1107 % combining handakuten
1108 begintsuglyph("uniFF9F",159);
1109   Fill fullcircle scaled (handakuten_outer*0.75) shifted (-90,780);
1110   unFill reverse fullcircle scaled (handakuten_inner*0.75) shifted (-90,780);
1111 endsuglyph;
1112
1113 % WARNING changing rescale setting
1114 tsu_rescale_full;
```

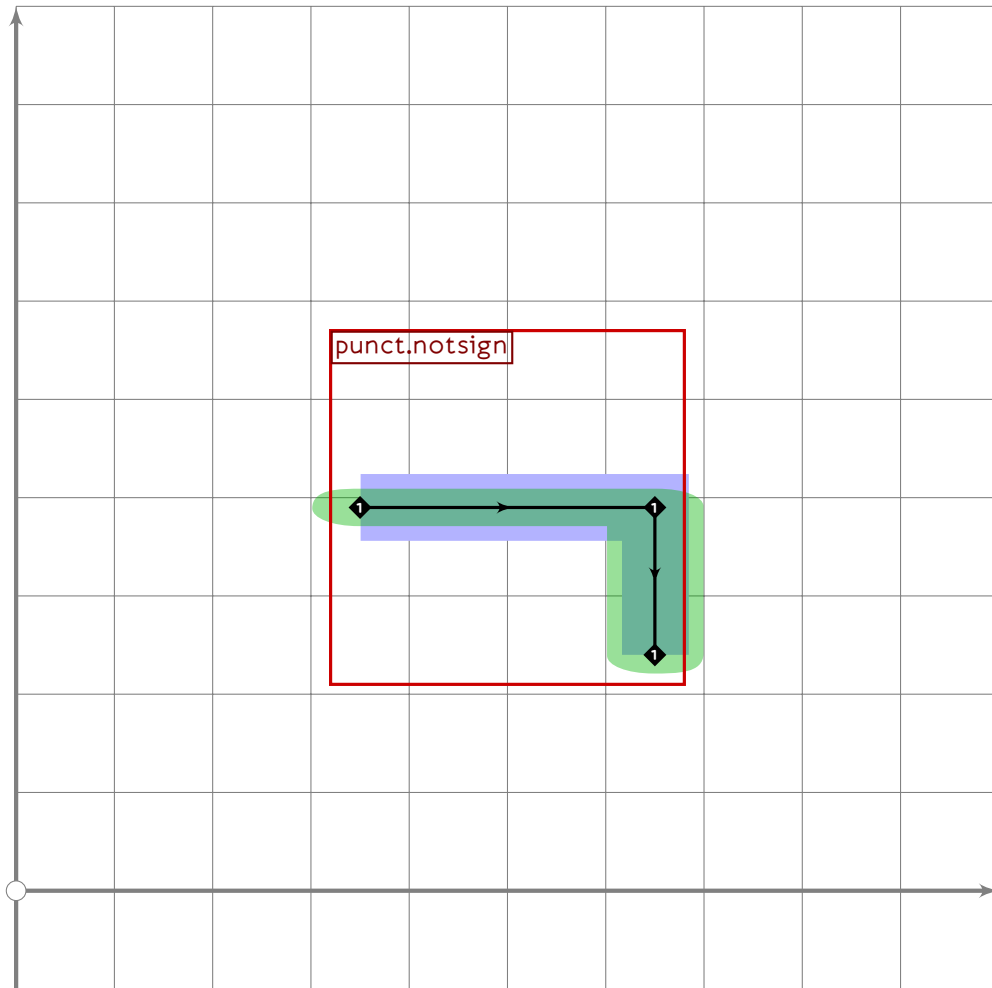


```

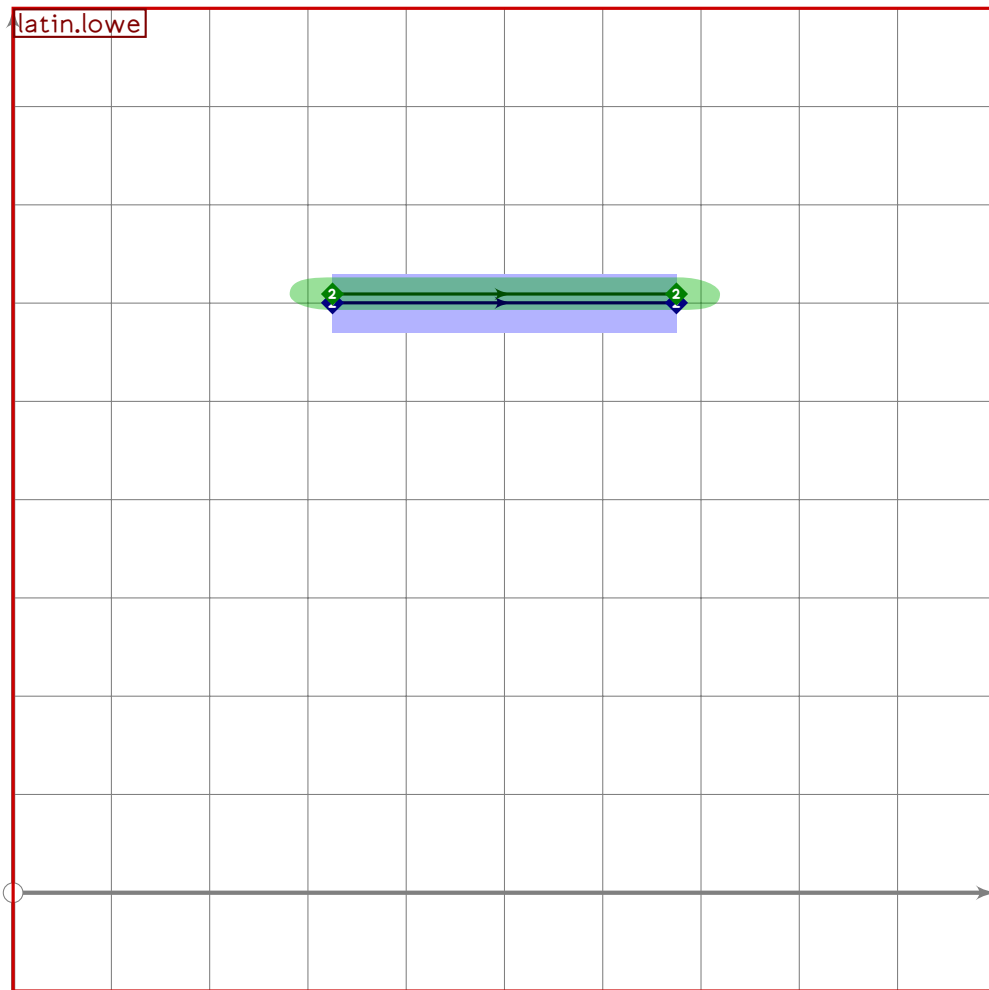
1115
1116 begintsuglyph("uniFFE0",224);
1117 tsu_accent.lcslash(tsu_curve.latin.lowc);
1118 tsu_render;
1119 endtsuglyph;
1120
1121 begintsuglyph("uniFFE1",225);
1122 tsu_curve.punct.pound;
1123 tsu_render;
1124 endtsuglyph;

```

[see page 280]



```
1125  
1126 begintsuglyph("uniFFE2",226);  
1127 tsu_curve.punct.notsign  
1128 (identity scaled (1.5*tsu_punct_size) shifted centre_pt);  
1129 tsu_render;  
1130 endsuglyph;
```

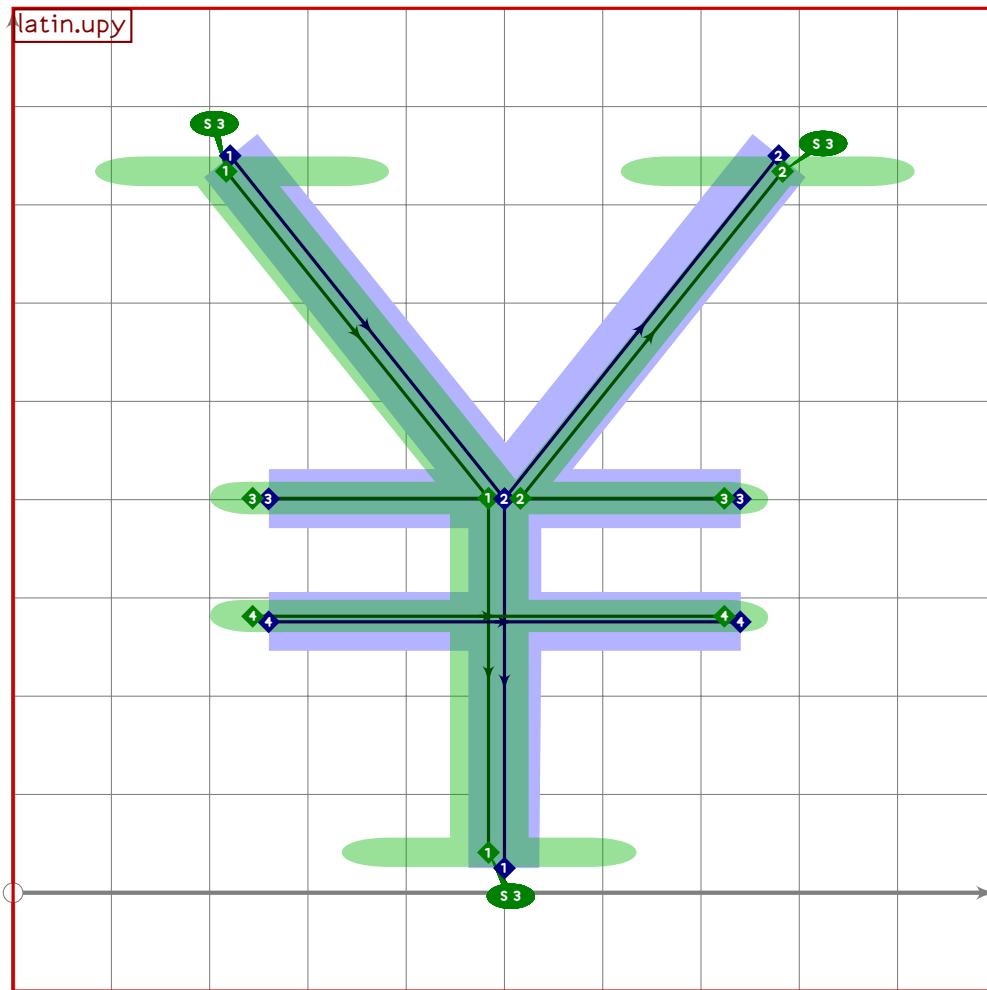


```

1131
1132 begintsuglyph("uniFFE3";227);
1133 tsu_accent.macron(tsu_curve.latin.lowe);
1134 bo_size1:=0;
1135 tsu_render;
1136 endtsuglyph;
1137
1138 begintsuglyph("uniFFE4";228);
1139 tsu_curve.punct.bvline;
1140 tsu_render;
1141 endtsuglyph;

```

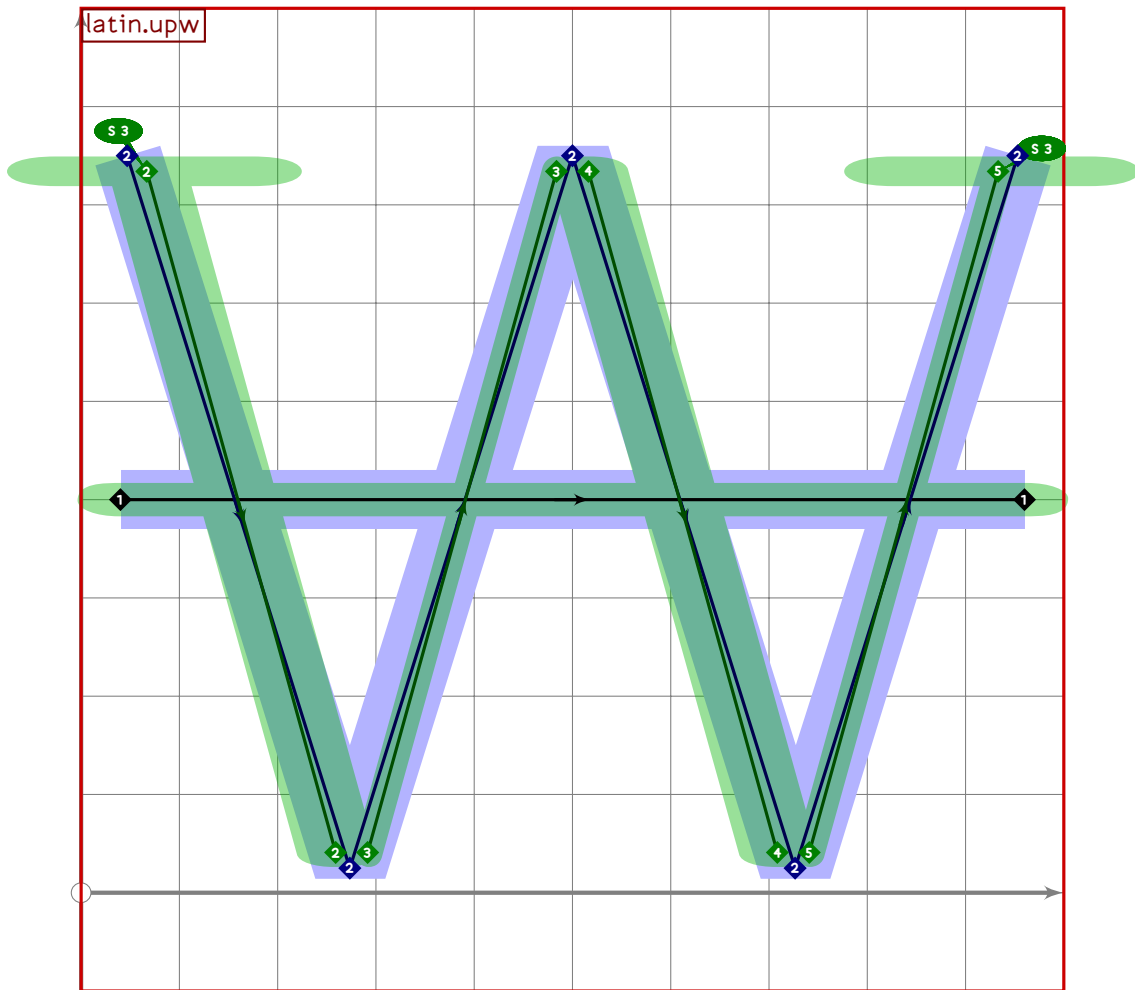
[see page 254]



```

1142
1143 begintsuglyph("uniFFE5";229);
1144 tsu_curve.latin.upy;
1145 bp3:=((-240,0)-(240,0)) shifted point 1 of bp1;
1146 bq3:=(2,2)-(2,2);
1147 bo_size3:=80;
1148 bp4:=((-240,0)-(240,0)) shifted point 1.333 of bp1;
1149 bq4:=(2,2)-(2,2);
1150 bo_size4:=80;
1151 sp:=sp*2;
1152 tsu_render;
1153 endtsuglyph;

```



```

1154
1155 begintsuglyph("uniFFE6",230);
1156   bp1:=(40,400)-(960,400);
1157   bq1:=(2,2)-(2,2);
1158   bo_size1:=80;
1159   sp:=sp*1;
1160   tsu_curve.latin.upw;
1161   tsu_render;
1162 endtsuglyph;
1163
1164 _____
1165
1166 endfont;
1167
1168 _____

```


tsuku-1f1.mp

```
1 %
2 % Unicode page 1F1 (Enclosed Supplement) for Tsukurimashou
3 % Copyright (C) 2011 Matthew Skala
4 %
5-29 [Standard copyright notice]
30
31 

---

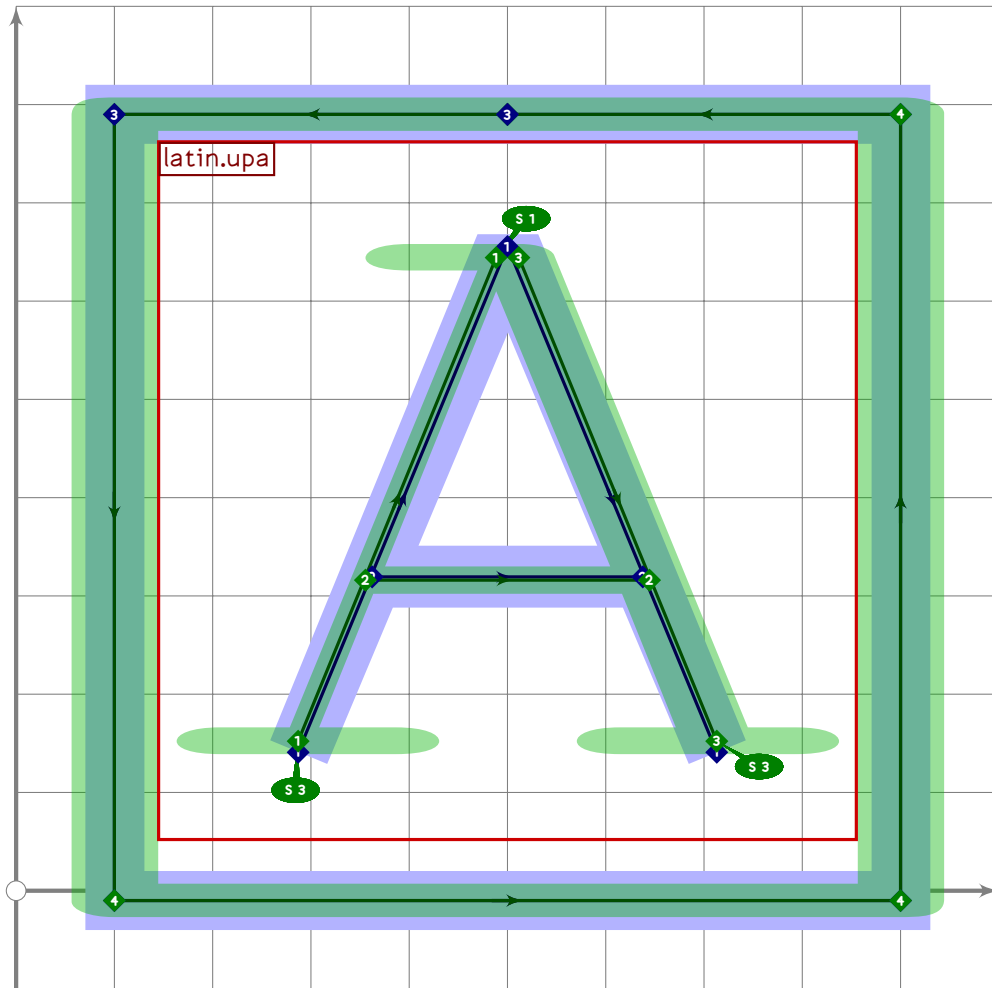

32
33 beginfont
34
35 input latin-intro.mp;
36
37 % AUTODEPS
38 input enclosed.mp;
39 input latin.mp;
40
41 

---


42
```

Squared Latin

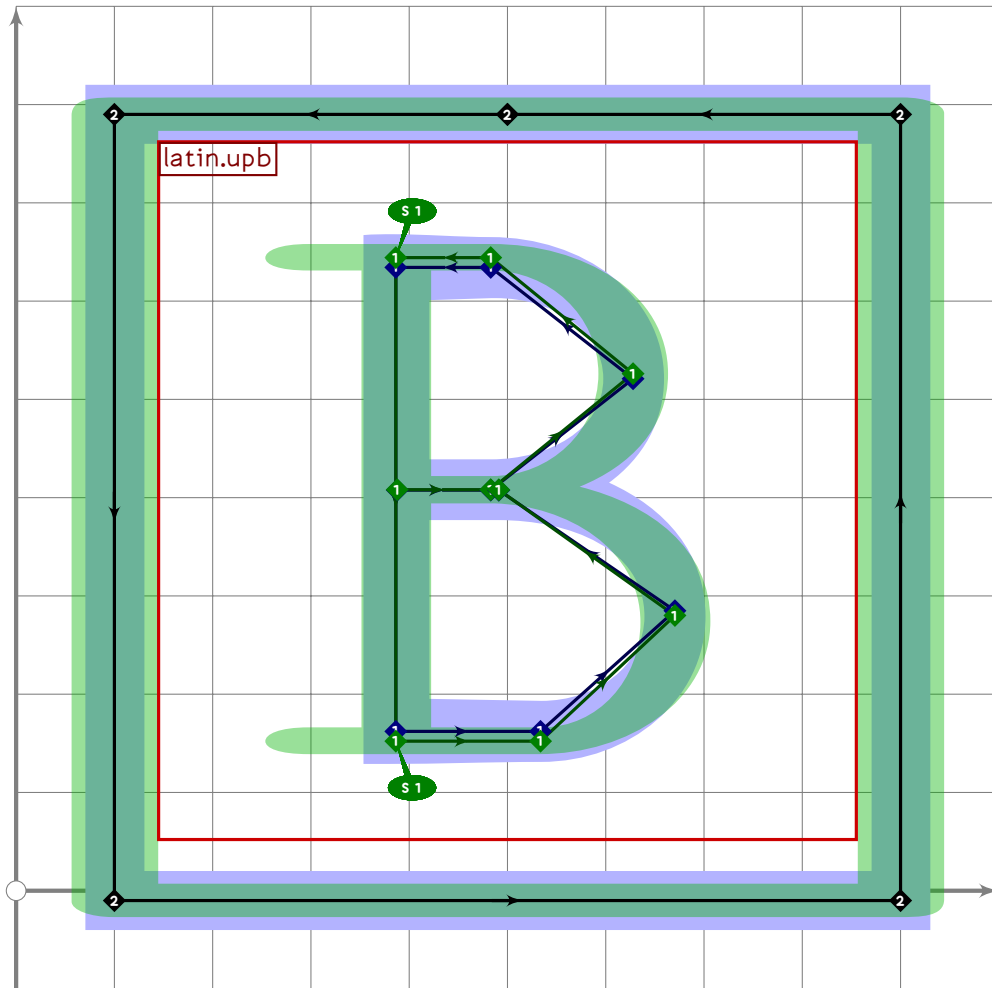
```
43 % SQUARED LATIN
44
```



```

45 % A
46 begint Suglyph("u1F130";48);
47   tsu_curve.square.single(tsu_curve.latin.upa);
48   tsu_render;
49 endsuglyph;
50

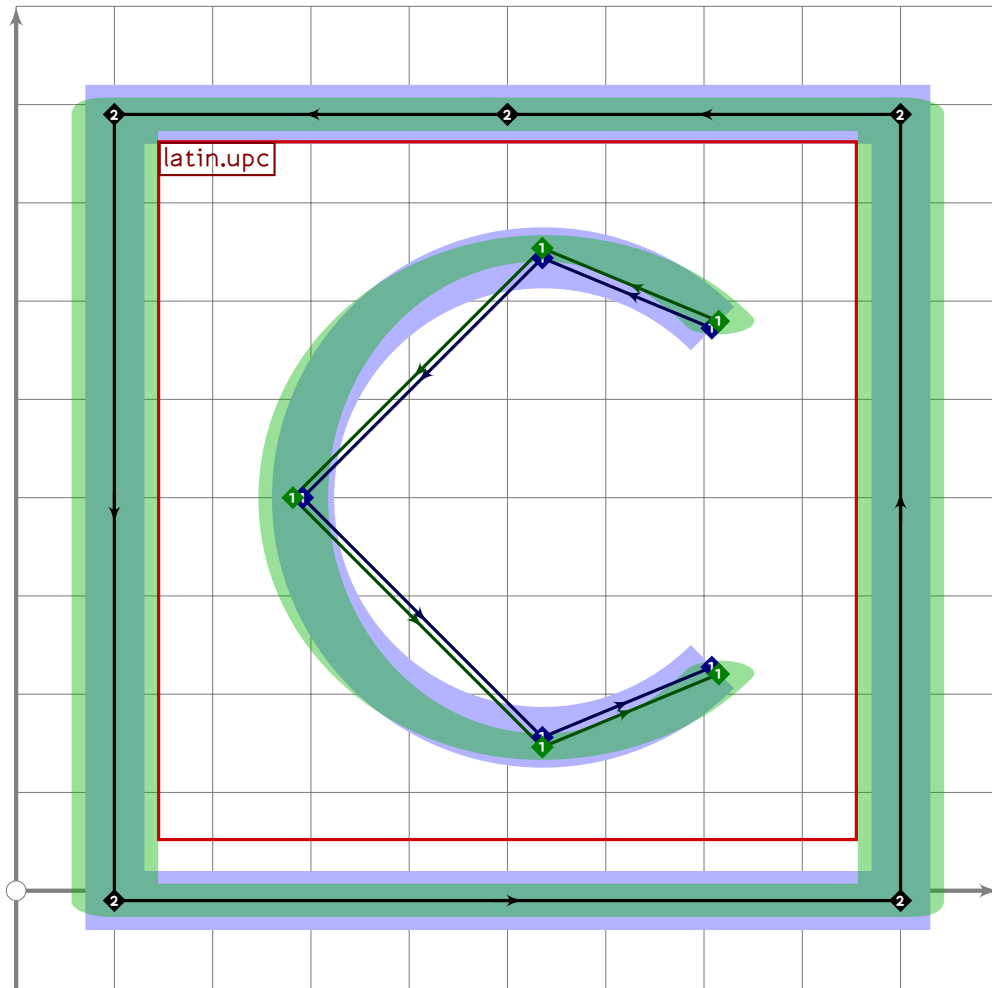
```



```

51 % B
52 begint Suglyph("u1F131",49);
53   tsu_curve.square.single(tsu_curve.latin.upb);
54   tsu_render;
55 endtsuglyph;
56

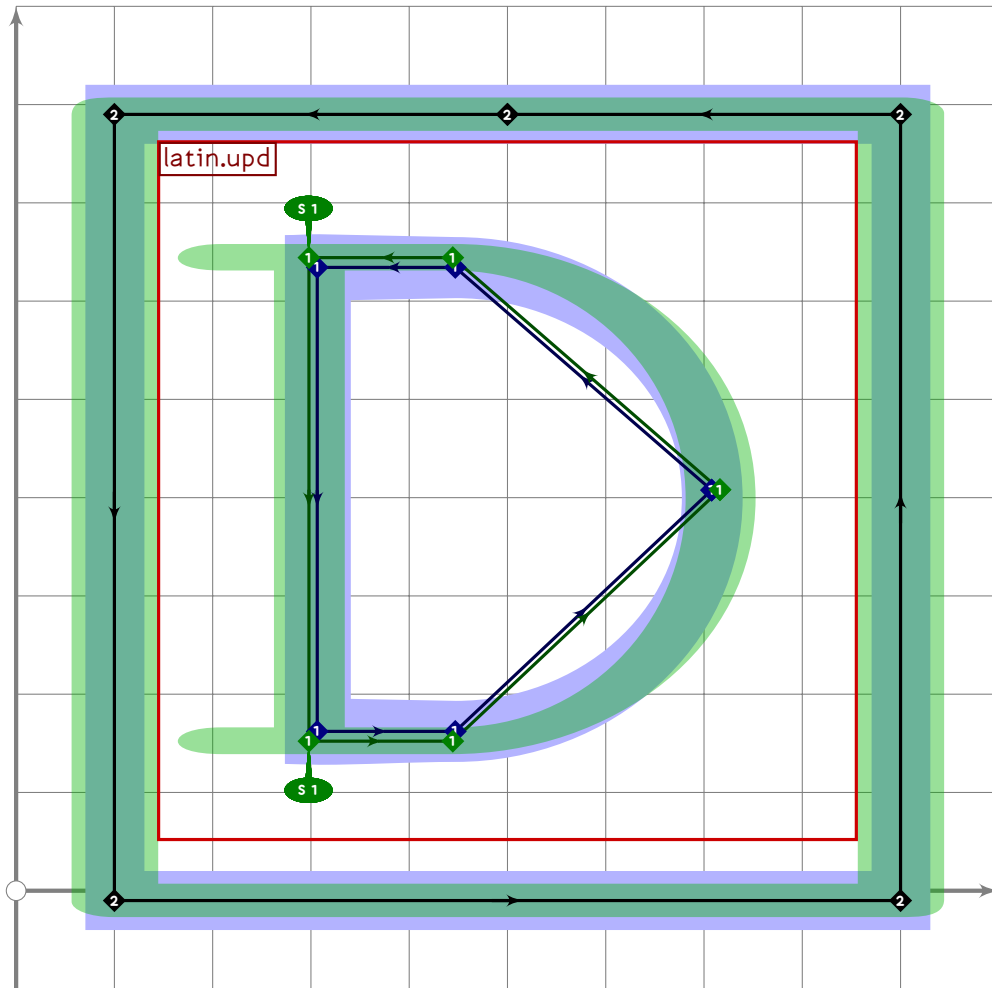
```



```

57 % C
58 begint Suglyph("u1F132";50);
59   tsu_curve.square.single(tsu_curve.latin.upc);
60   tsu_render;
61 endsuglyph;
62

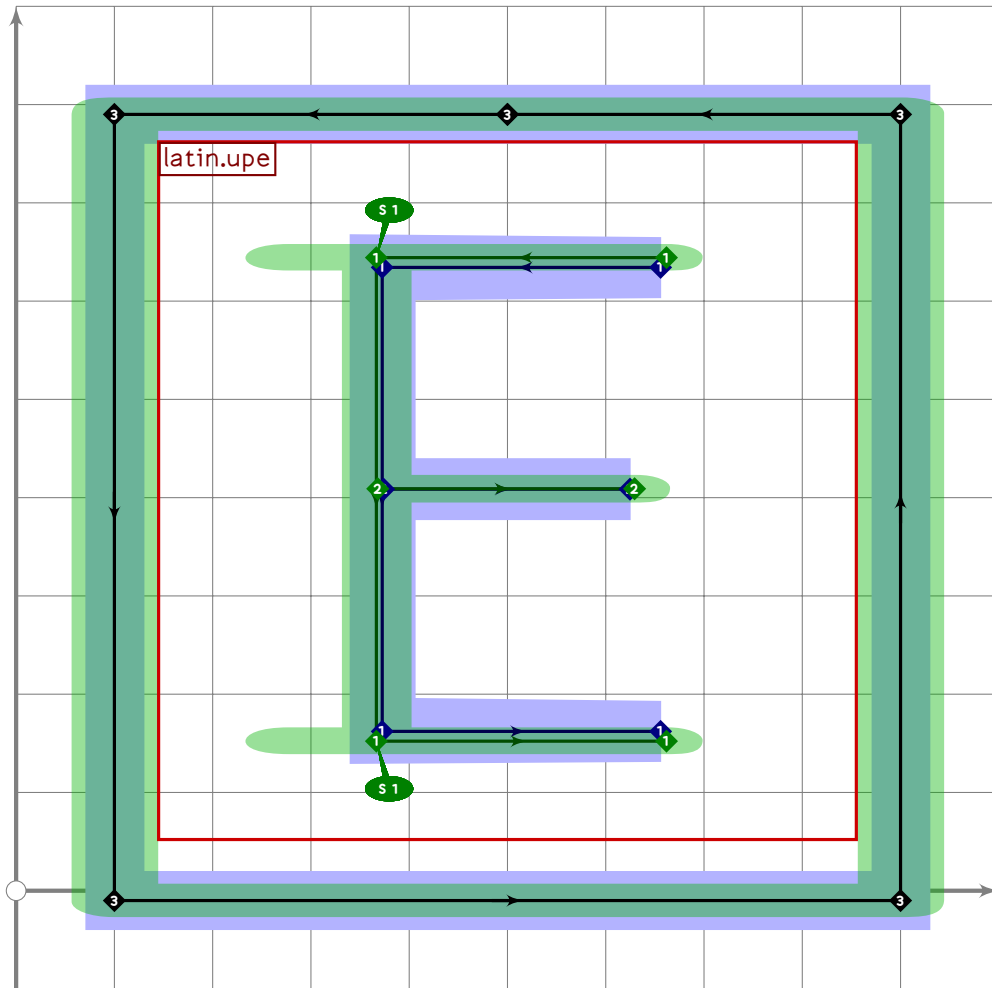
```



```

63 % D
64 begint Suglyph("u1F133",51);
65   tsu_curve.square.single(tsu_curve.latin.upd);
66   tsu_render;
67 endsuglyph;
68

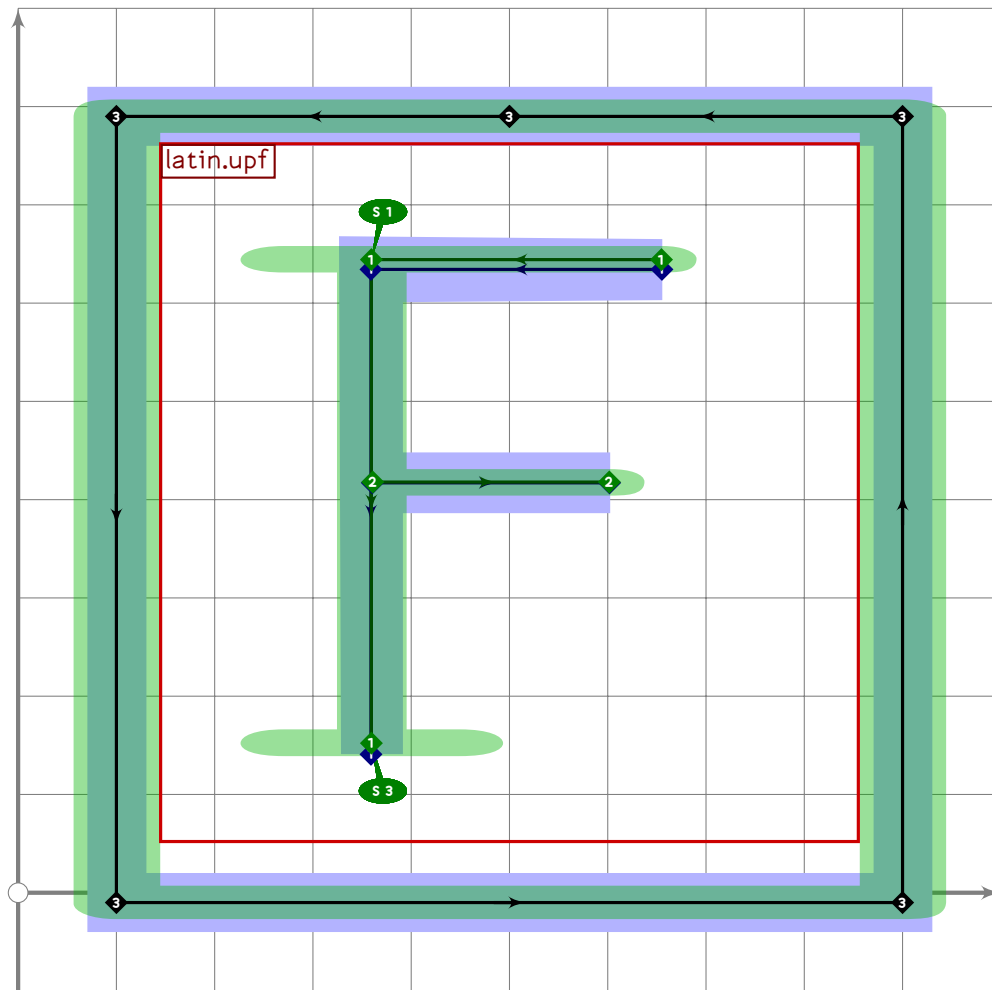
```



```

69 % E
70 begint Suglyph("u1F134";52);
71   tsu_curve.square.single(tsu_curve.latin.upe);
72   tsu_render;
73 endsuglyph;
74

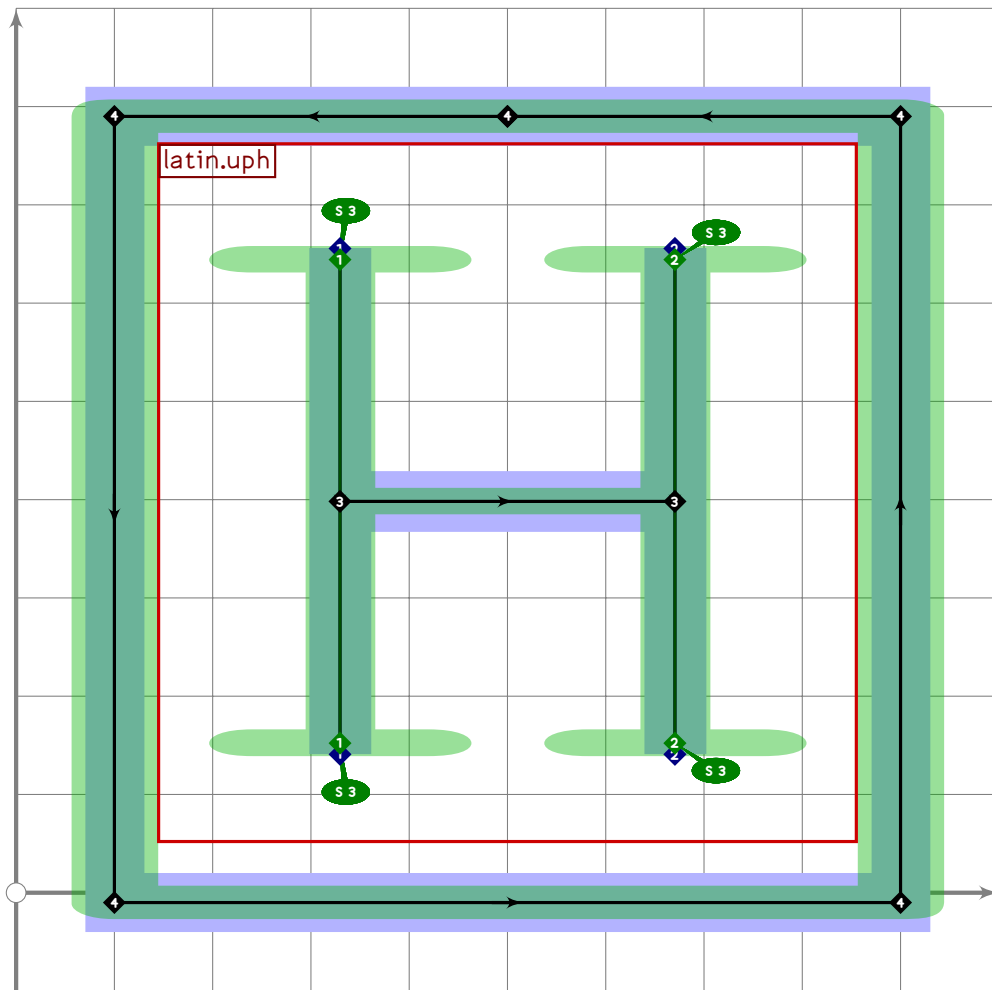
```



```

75 % F
76 begint Suglyph("u1F135";53);
77 tsu_curve.square.single(tsu_curve.latin.upf);
78 tsu_render;
79 endtsuglyph;
80

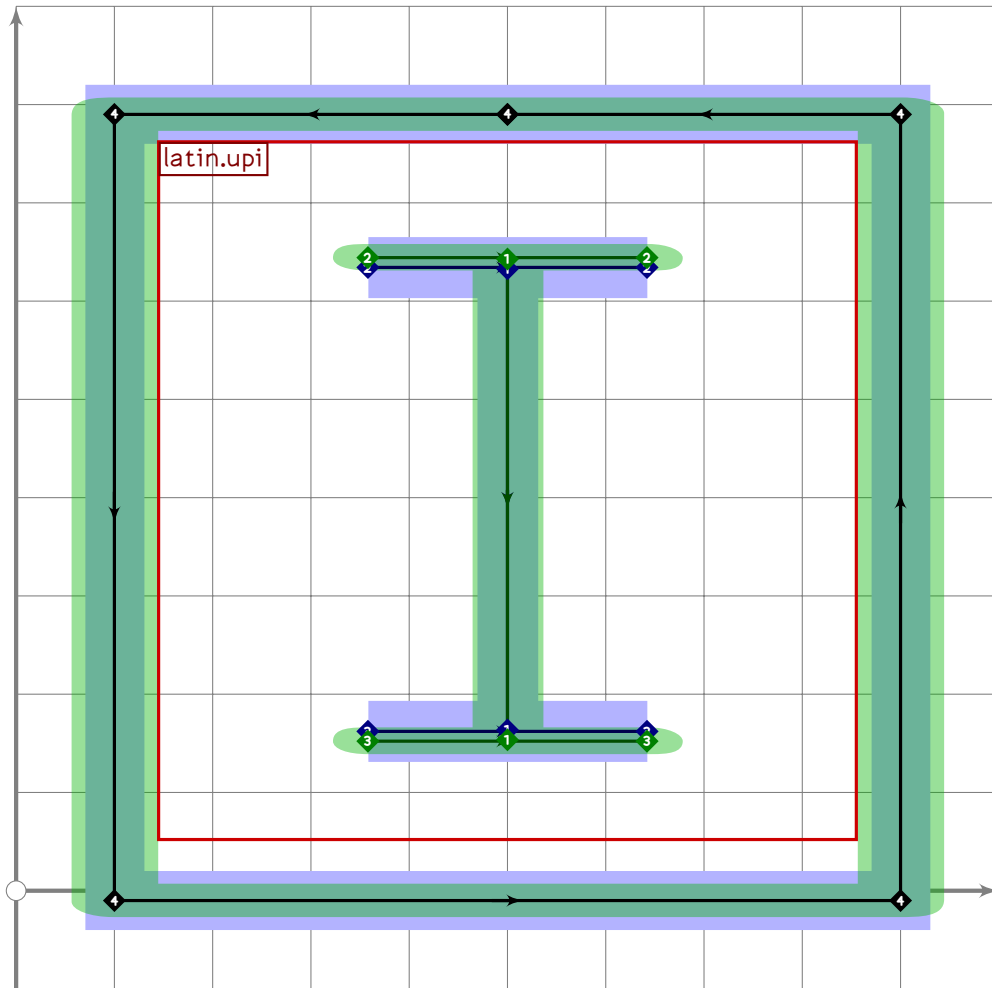
```

```

87 % H
88 begint Suglyph("u1F137";55);
89   tsu_curve.square.single(tsu_curve.latin.uph);
90   tsu_render;
91   endtsuglyph;
92

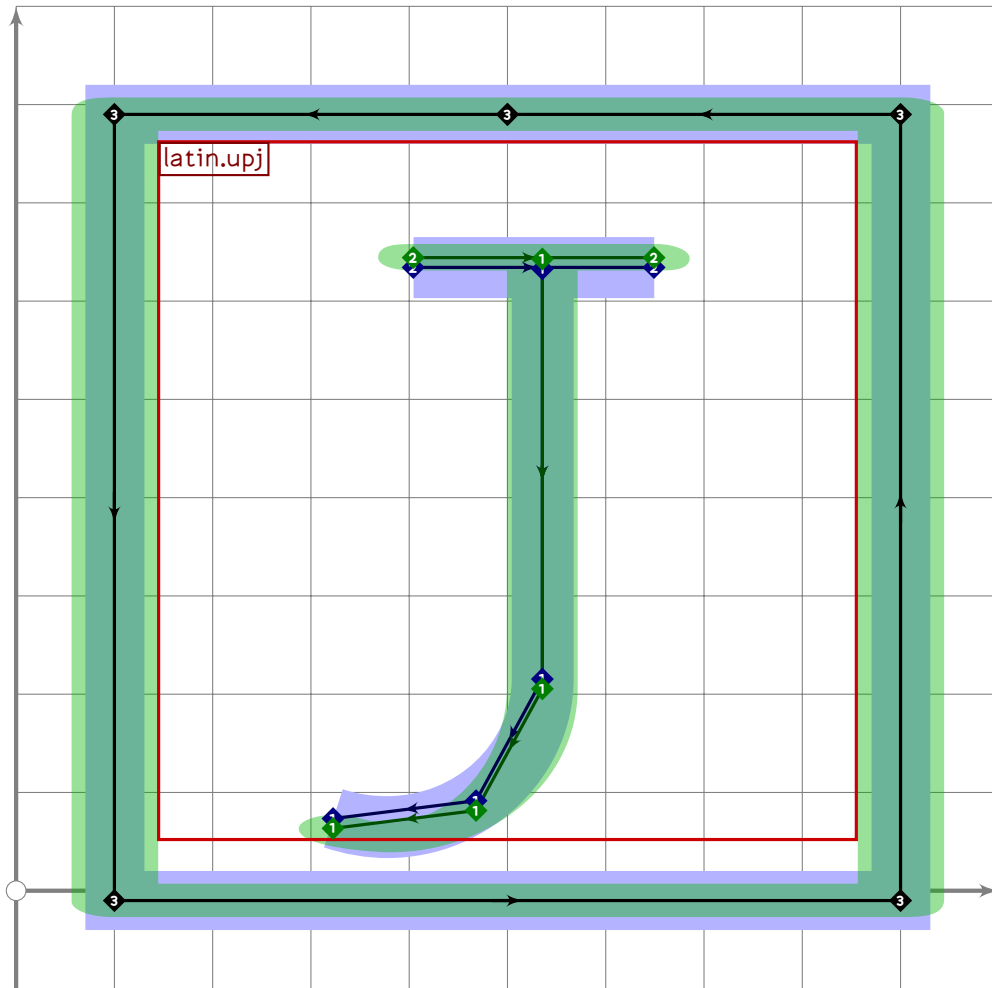
```



```

93 % I
94 begint Suglyph("u1F138";56);
95   tsu_curve.square.single(tsu_curve.latin.upi);
96   tsu_render;
97 endtsuglyph;
98

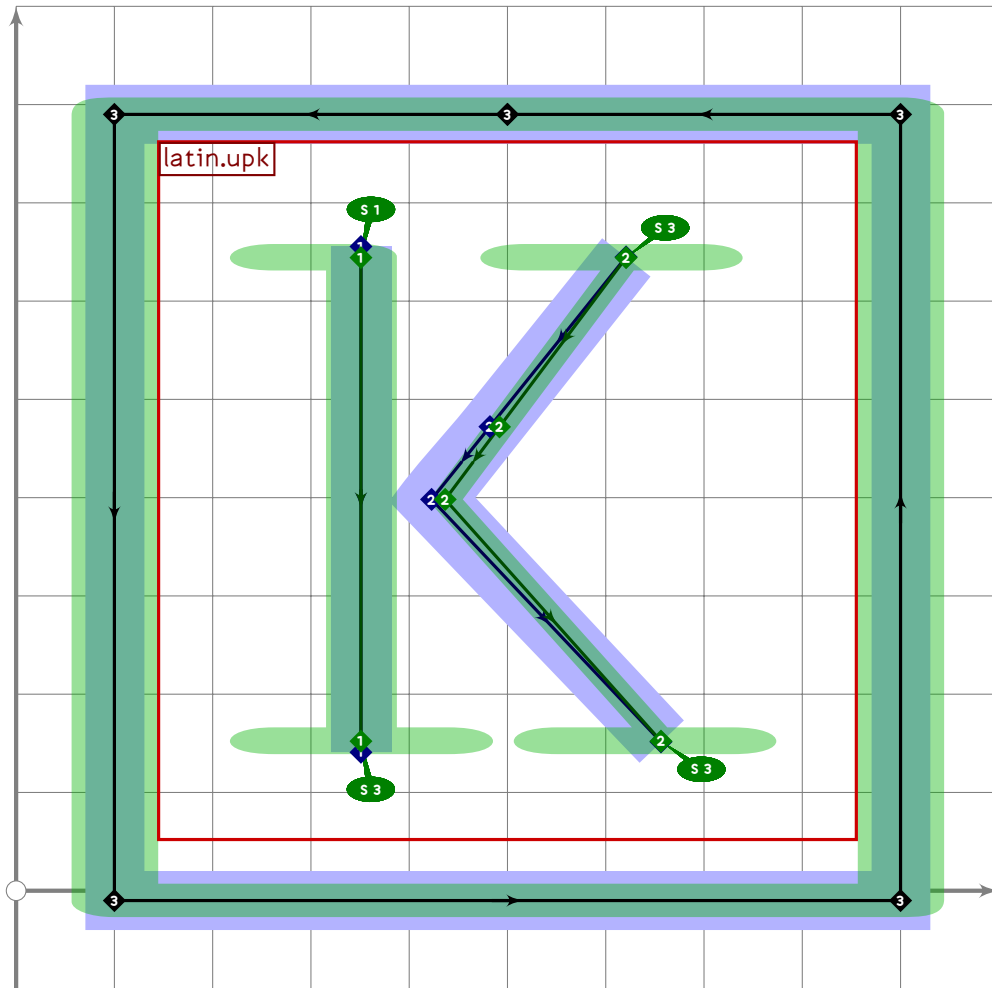
```



```

99 % J
100 begint Suglyph("u1F139";57);
101   tsu_curve.square.single(tsu_curve.latin.upj);
102   tsu_render;
103 endtsuglyph;
104

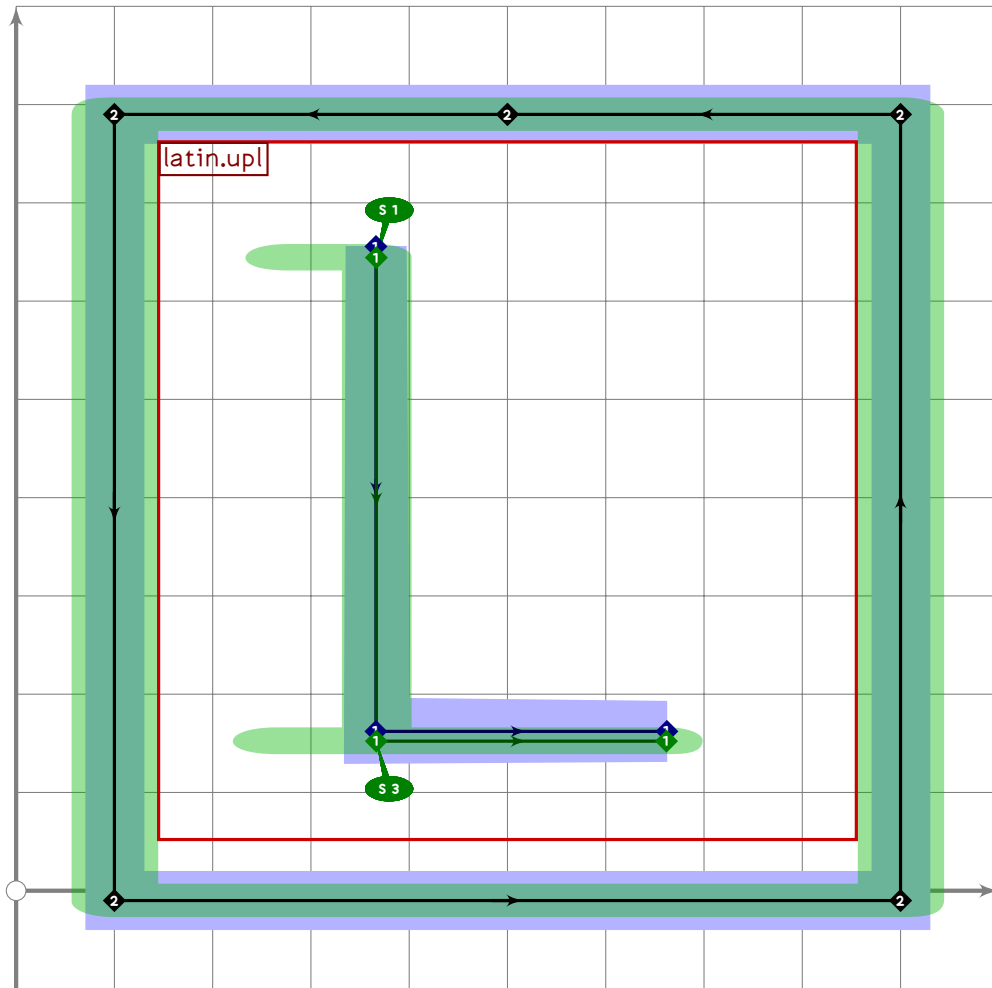
```



```

105 % K
106 begint Suglyph("u1F13A";58);
107   tsu_curve.square.single(tsu_curve.latin.upk);
108   tsu_render;
109 endsuglyph;
110

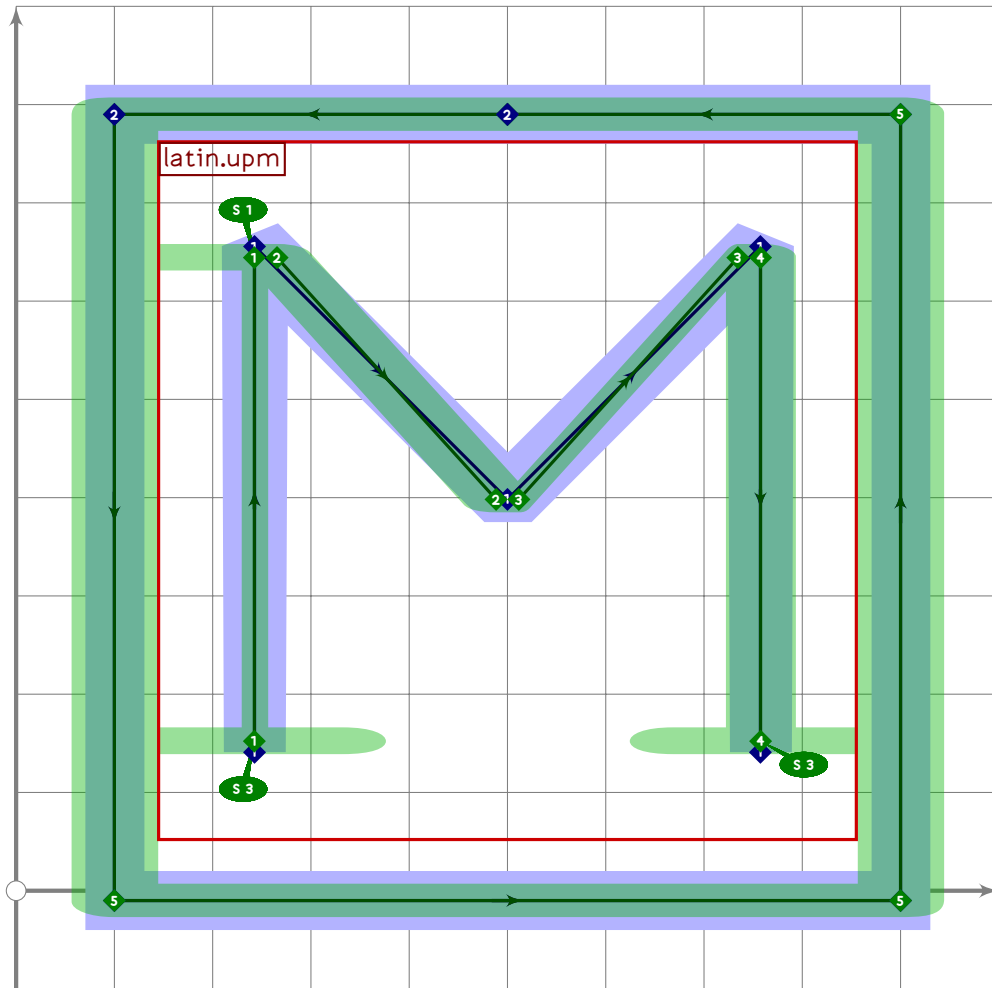
```



```

111 % L
112 begint Suglyph("u1F13B";59);
113   tsu_curve.square.single(tsu_curve.latin.upl);
114   tsu_render;
115   endtsuglyph;
116

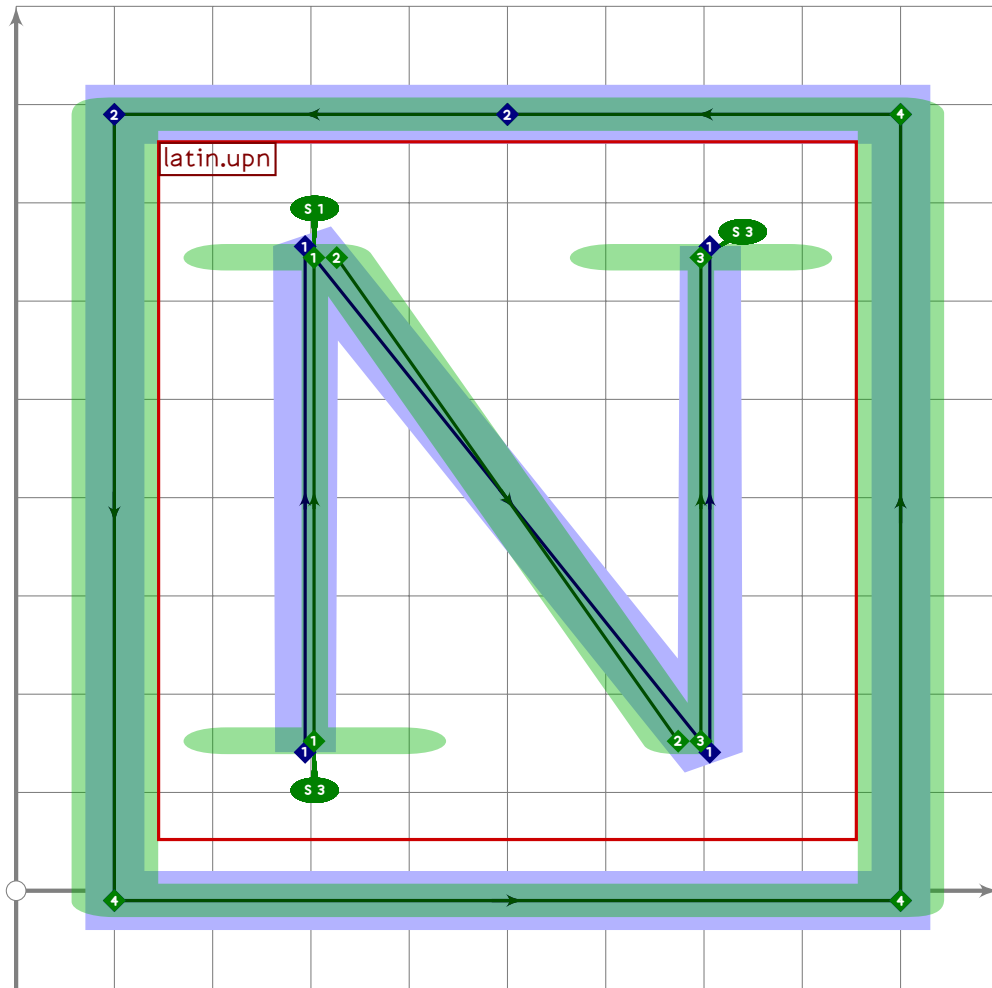
```



```

117 % M
118 begint Suglyph("u1F13C";60);
119   tsu_curve.square.single(tsu_curve.latin.upm);
120   tsu_render;
121 endtsuglyph;
122

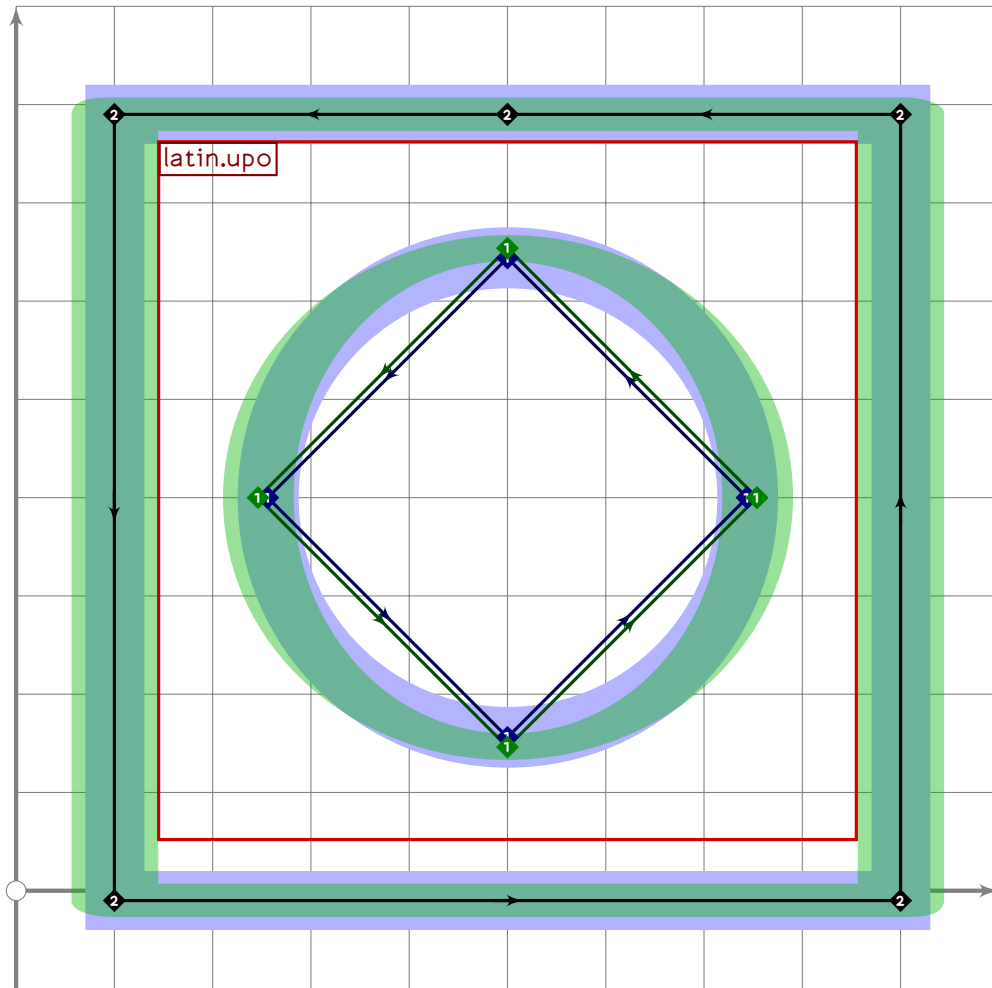
```



```

123 % N
124 beginsuglyph("u1F13D";61);
125   tsu_curve.square.single(tsu_curve.latin.upn);
126   tsu_render;
127 endsuglyph;
128

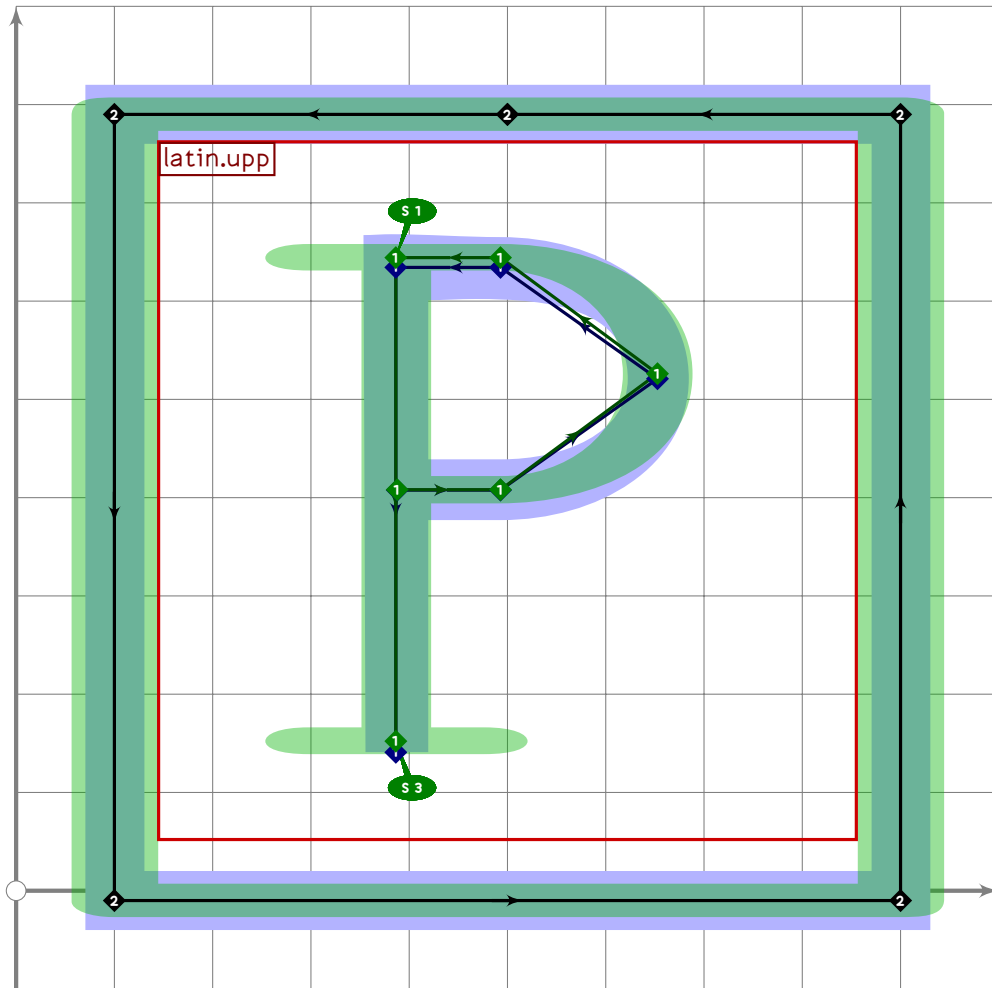
```



```

129 % O
130 begint Suglyph("u1F13E";62);
131   tsu_curve.square.single(tsu_curve.latin.upo);
132   tsu_render;
133 endtsuglyph;
134

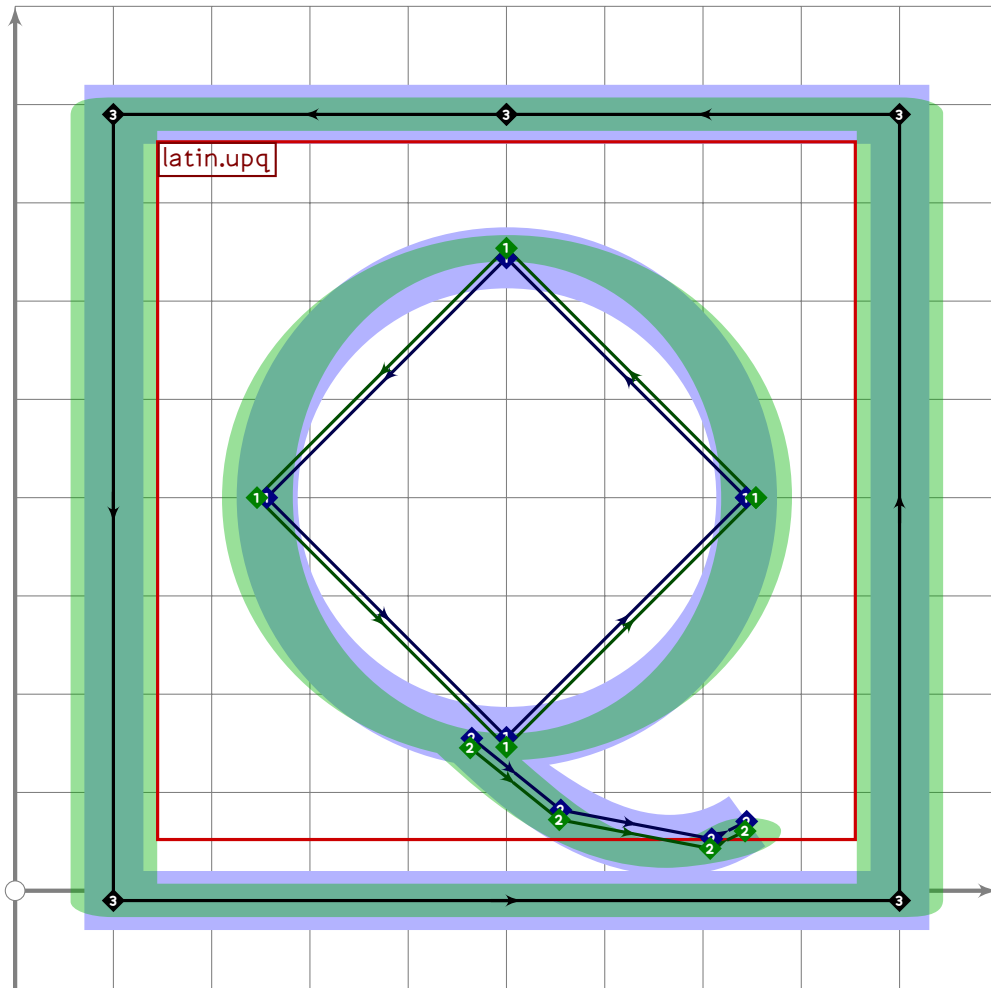
```

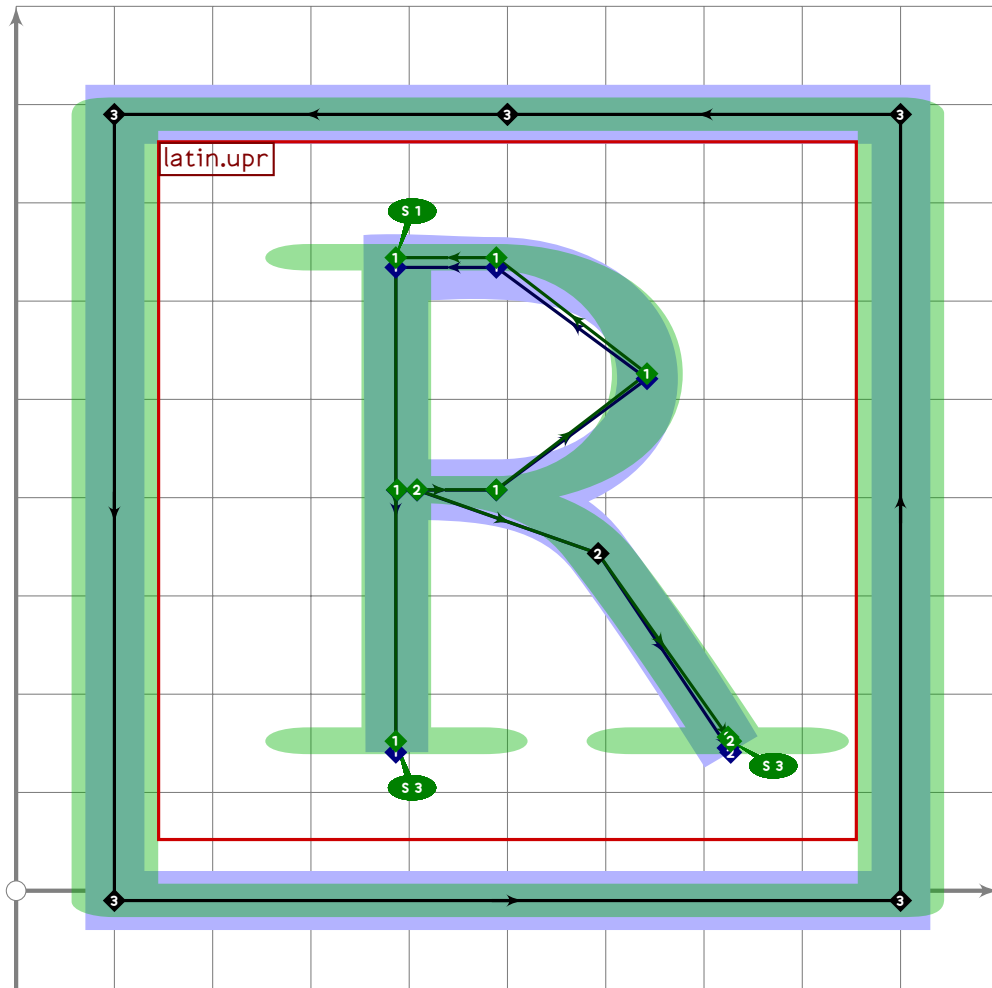
```

135 % P
136 begint Suglyph("u1F13F",63);
137   tsu_curve.square.single(tsu_curve.latin.upp);
138   tsu_render;
139 endsuglyph;
140

```



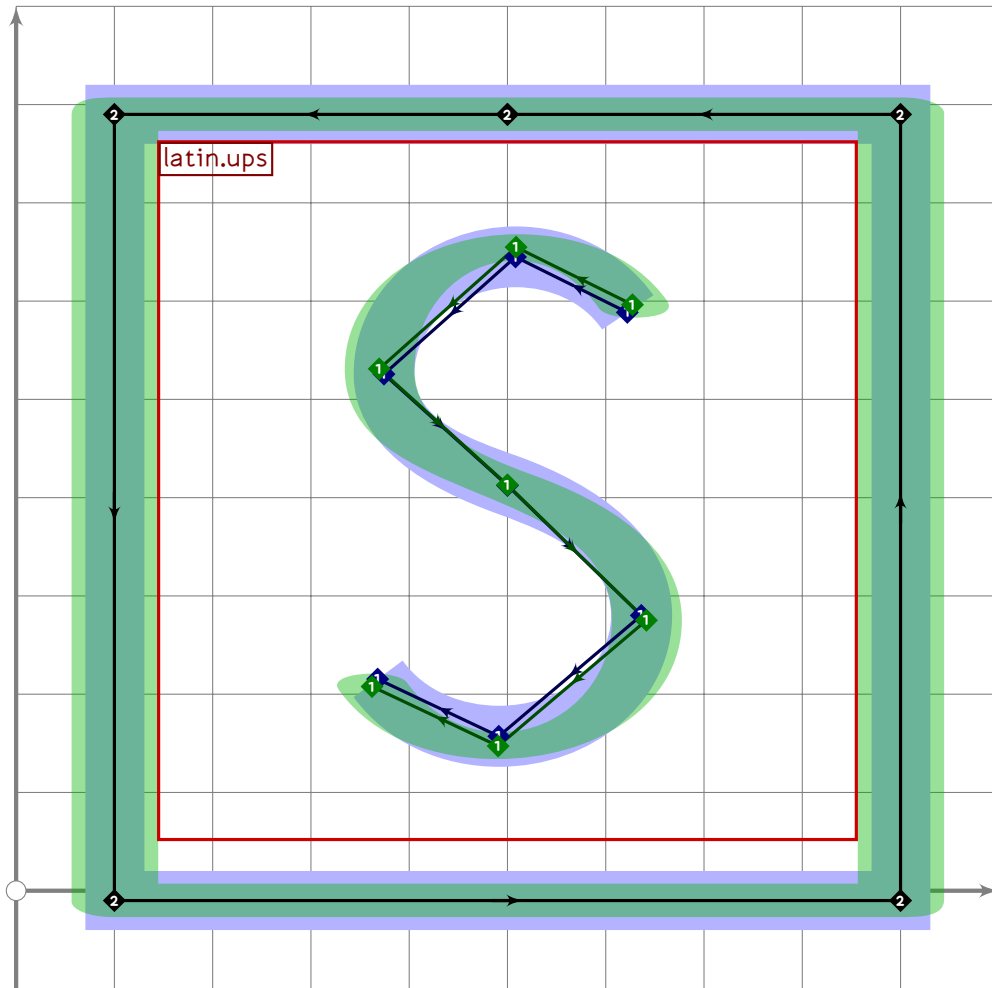
```
141 % Q
142 begint Suglyph("u1F140";64);
143   tsu_curve.square.single(tsu_curve.latin.upq);
144   tsu_render;
145 endtsuglyph;
146
```



```

147 % R
148 begint Suglyph("u1F141",65);
149   tsu_curve.square.single(tsu_curve.latin.upr);
150   tsu_render;
151   endtsuglyph;
152

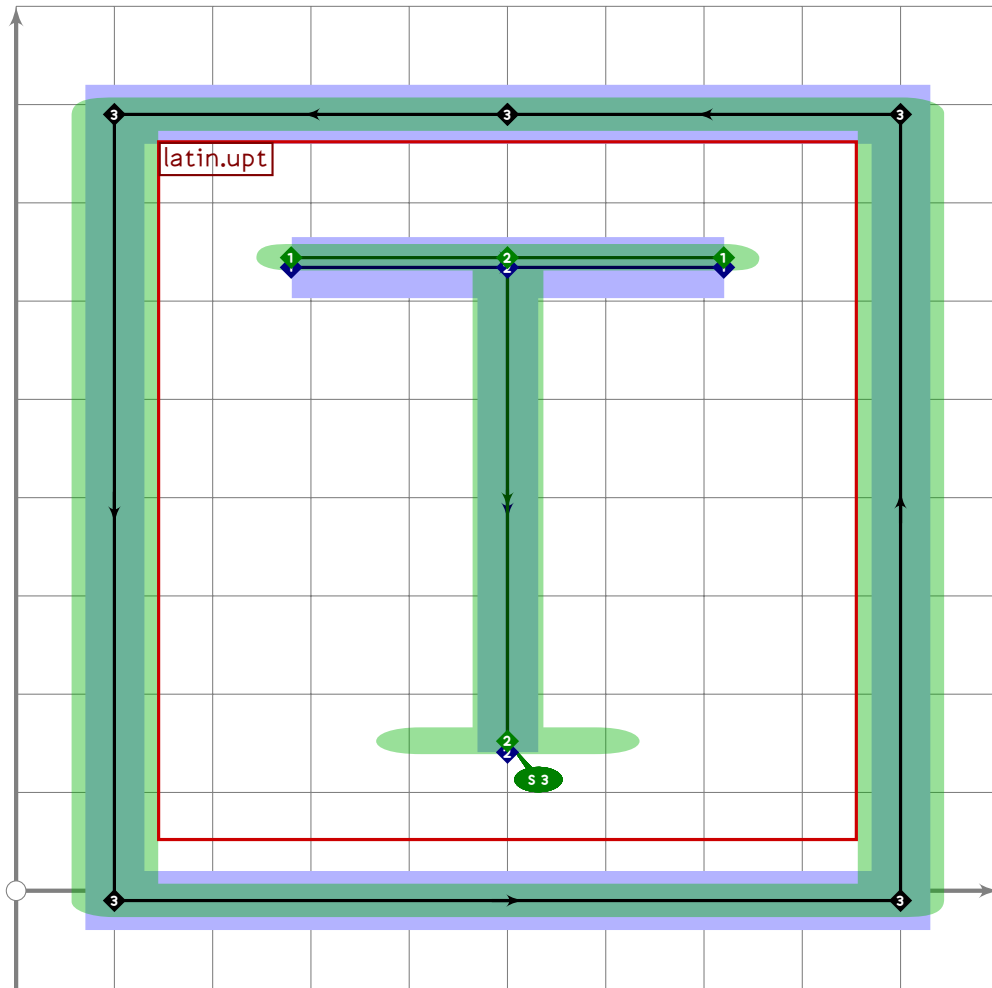
```



```

153 % S
154 begint Suglyph("u1F142";66);
155   tsu_curve.square.single(tsu_curve.latin.ups);
156   tsu_render;
157 endtsuglyph;
158

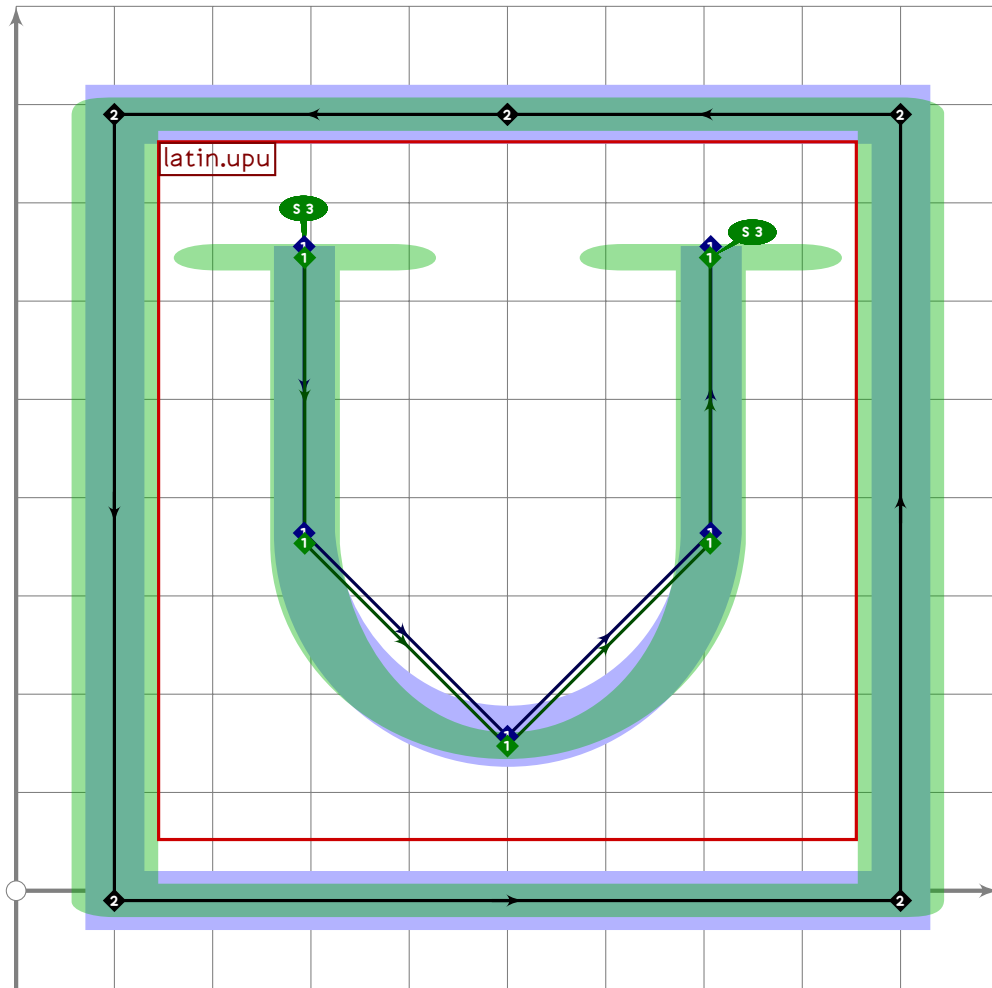
```



```

159 % T
160 begint Suglyph("u1F143";67);
161   tsu_curve.square.single(tsu_curve.latin.upt);
162   tsu_render;
163 endtsuglyph;
164

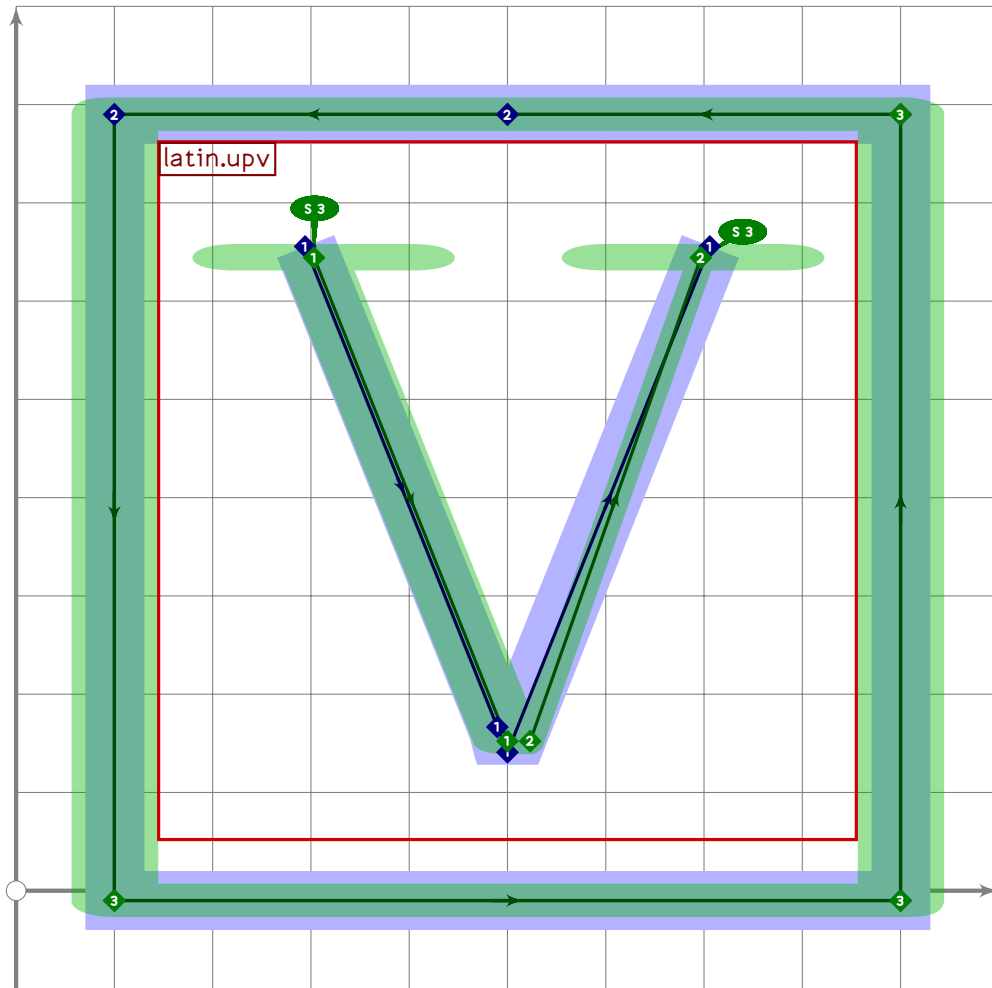
```



```

165 % U
166 begint Suglyph("u1F144";68);
167   tsu_curve.square.single(tsu_curve.latin.upu);
168   tsu_render;
169 endsuglyph;
170

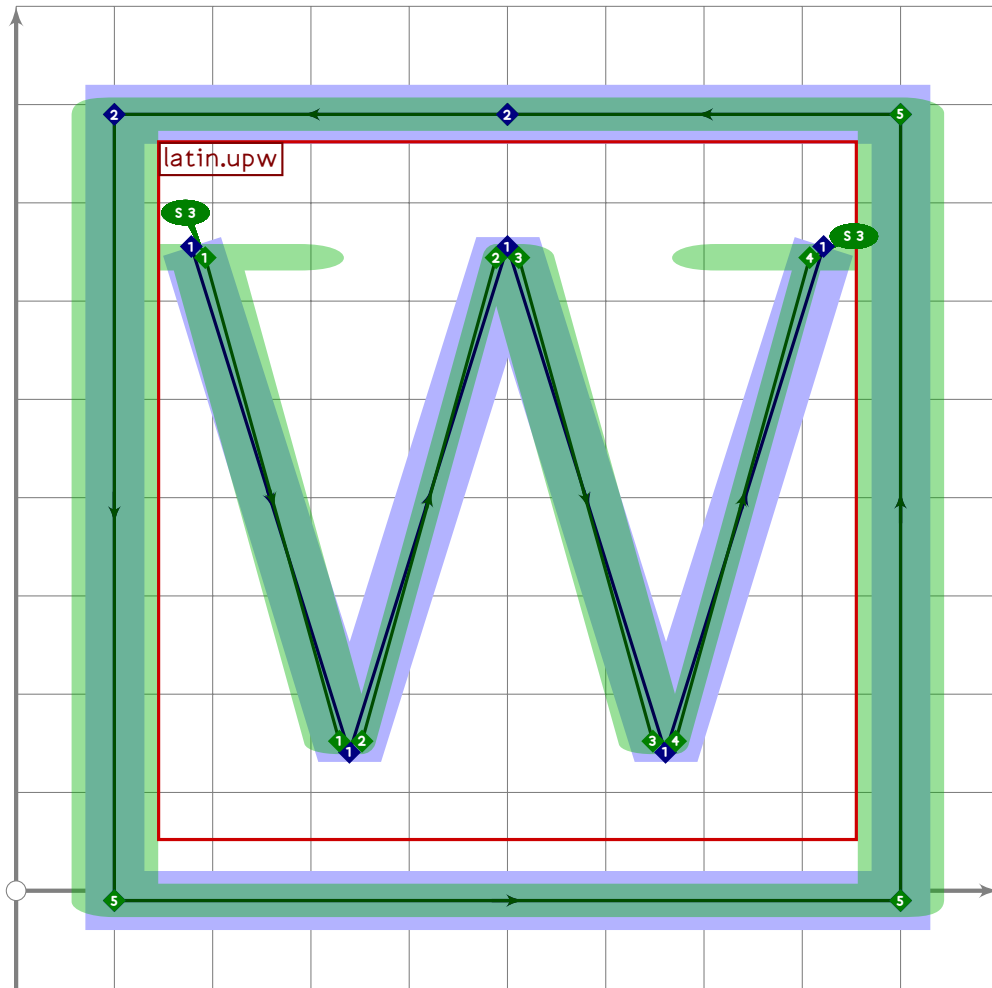
```



```

171 % V
172 begint Suglyph("u1F145";69);
173   tsu_curve.square.single(tsu_curve.latin.upv);
174   tsu_render;
175 endtsuglyph;
176

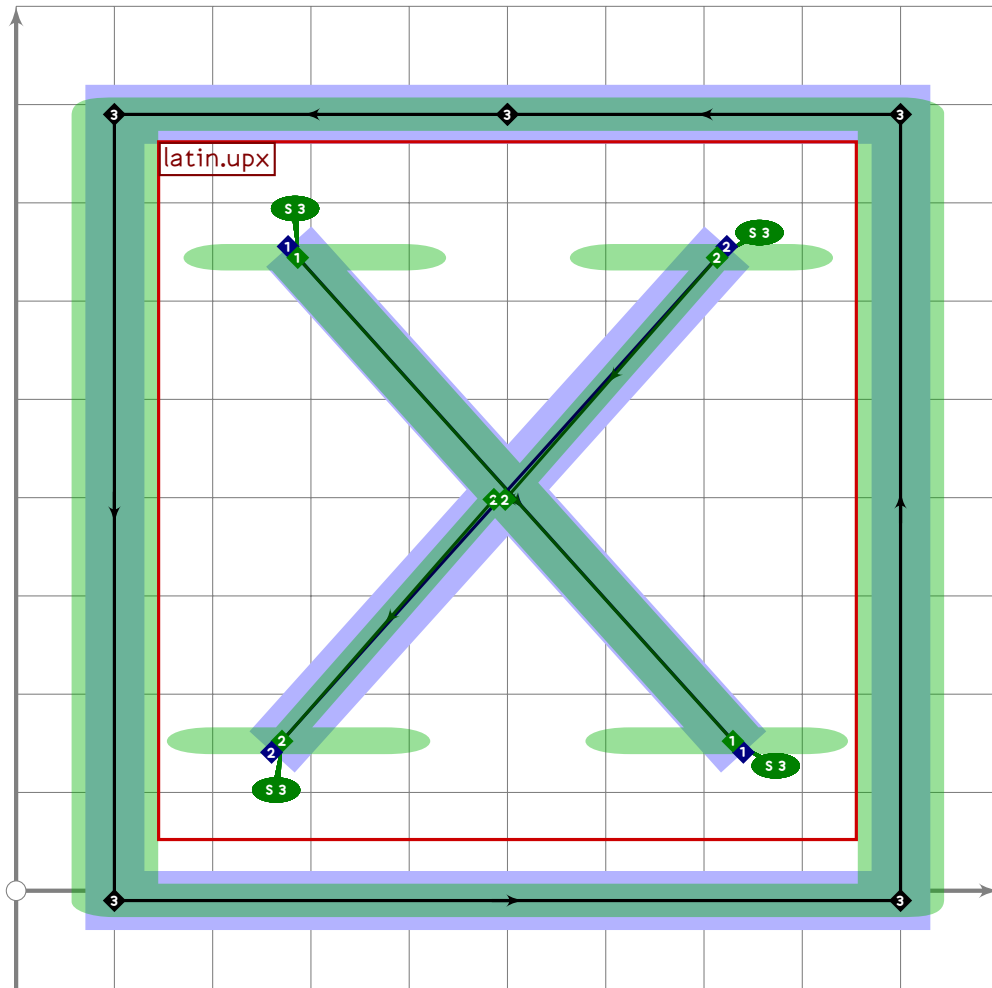
```



```

177 % W
178 begint Suglyph("u1F146";70);
179   tsu_curve.square.single(tsu_curve.latin.upw);
180   tsu_render;
181 endtsuglyph;
182

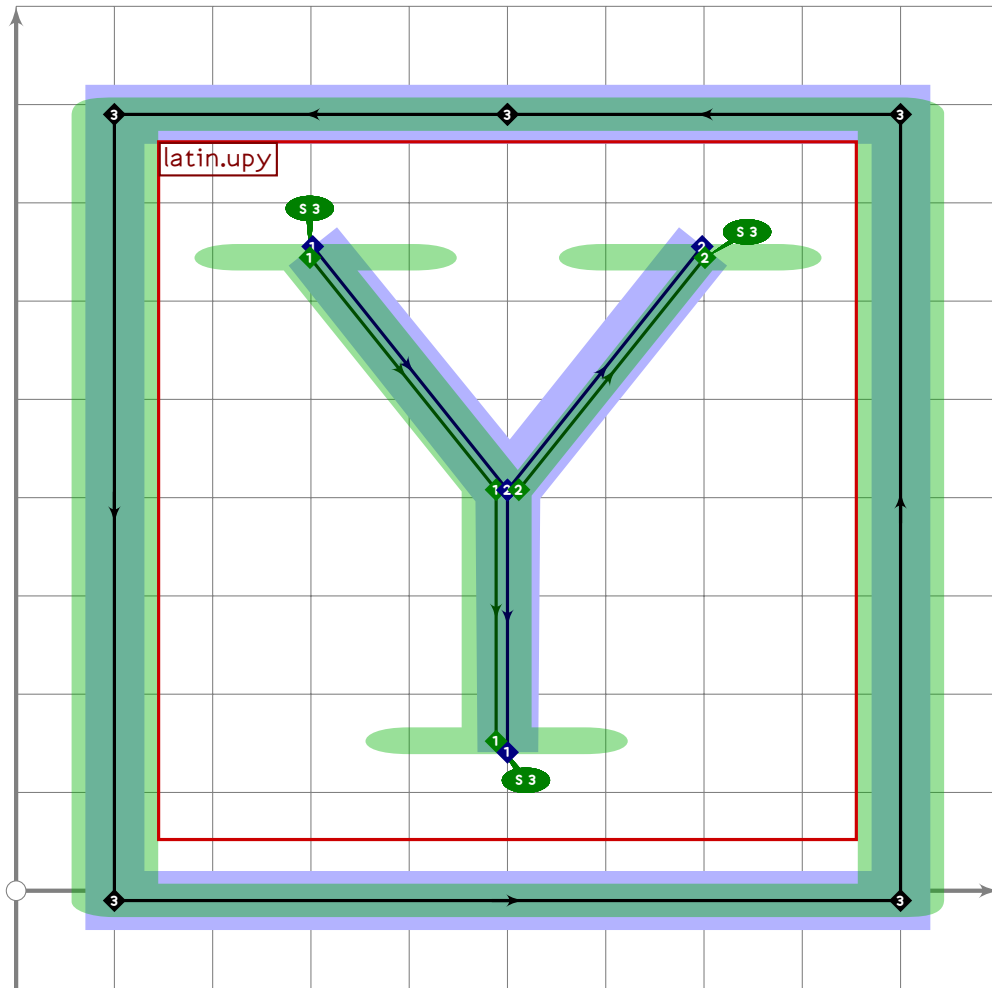
```

```

183 % X
184 begint Suglyph("u1F147";71);
185   tsu_curve.square.single(tsu_curve.latin.upx);
186   tsu_render;
187 endtsuglyph;
188

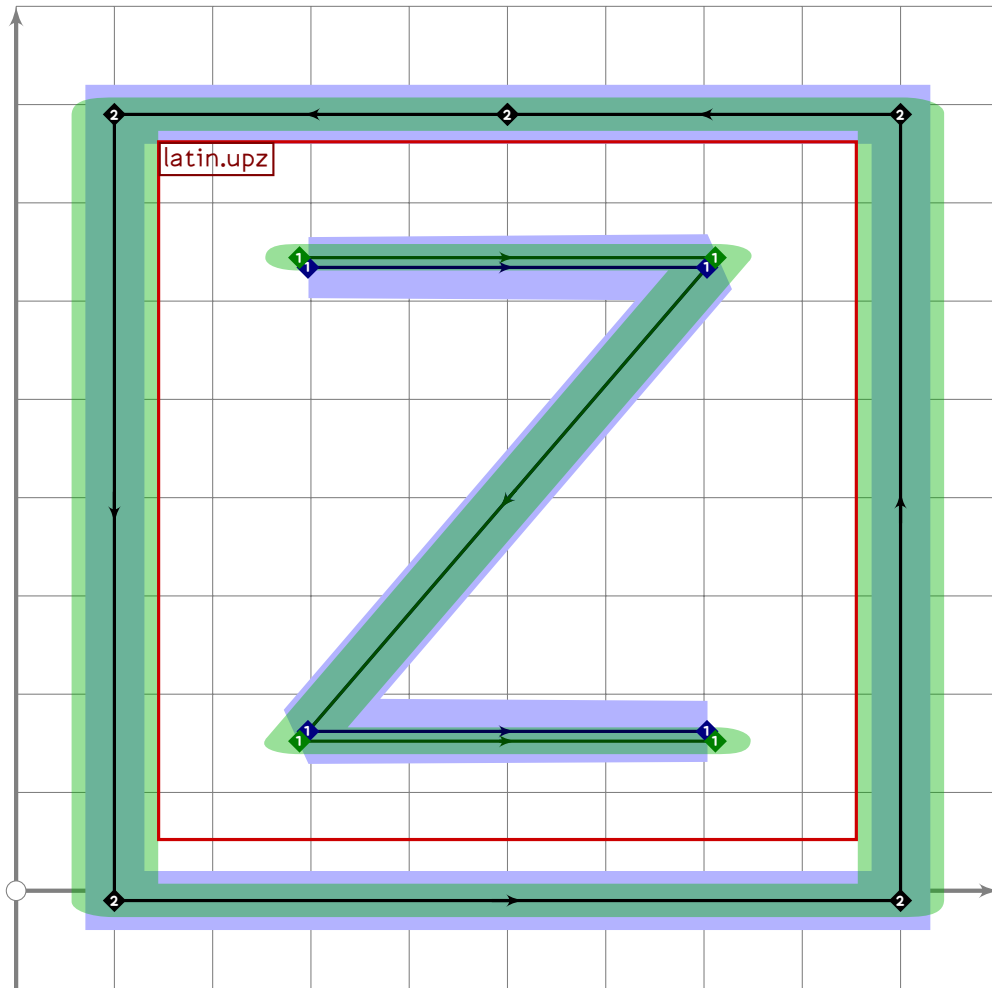
```



```

189 % Y
190 begint Suglyph("u1F148";72);
191   tsu_curve.square.single(tsu_curve.latin.upy);
192   tsu_render;
193 endtsuglyph;
194

```



```

195 % Z
196 begint Suglyph("u1F149";73);
197   tsu_curve.square.single(tsu_curve.latin.upz);
198   tsu_render;
199 endsuglyph;
200
201
202

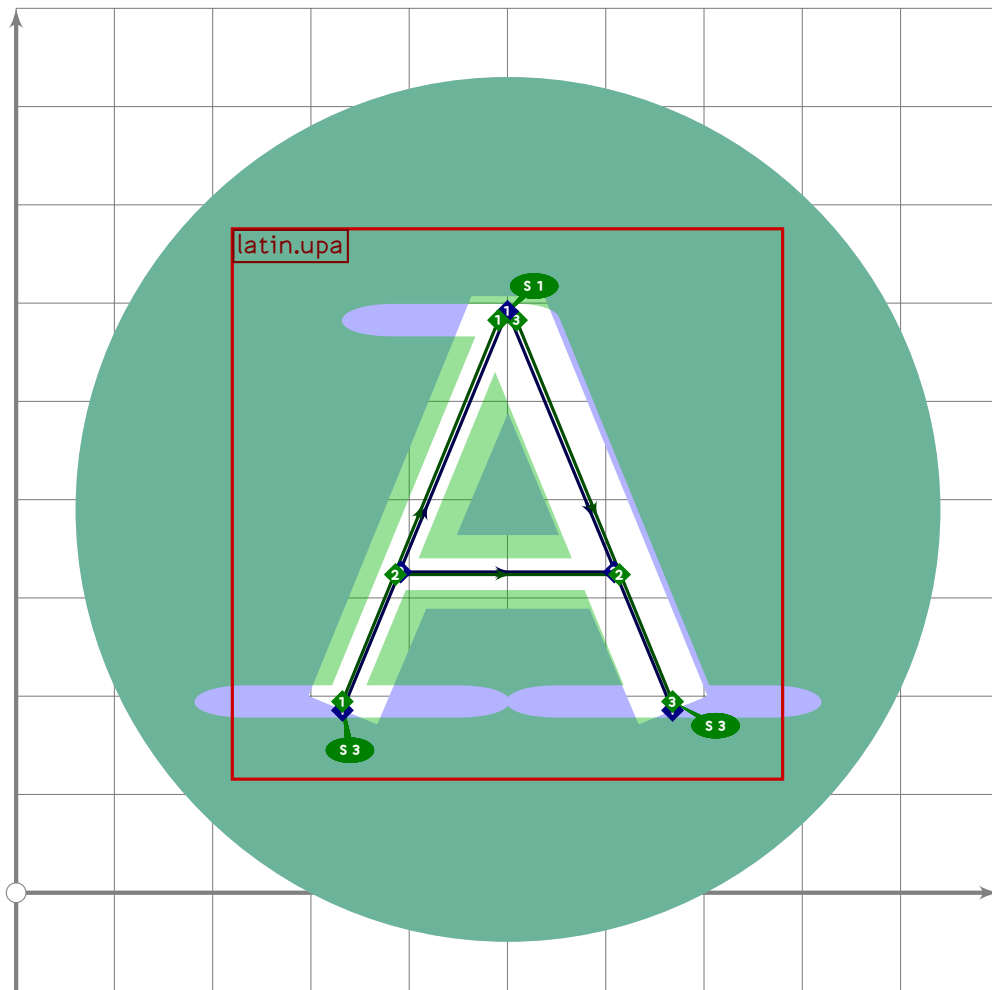
```

Inverse Circled Latin

```

203 % INVERSE CIRCLED LATIN
204

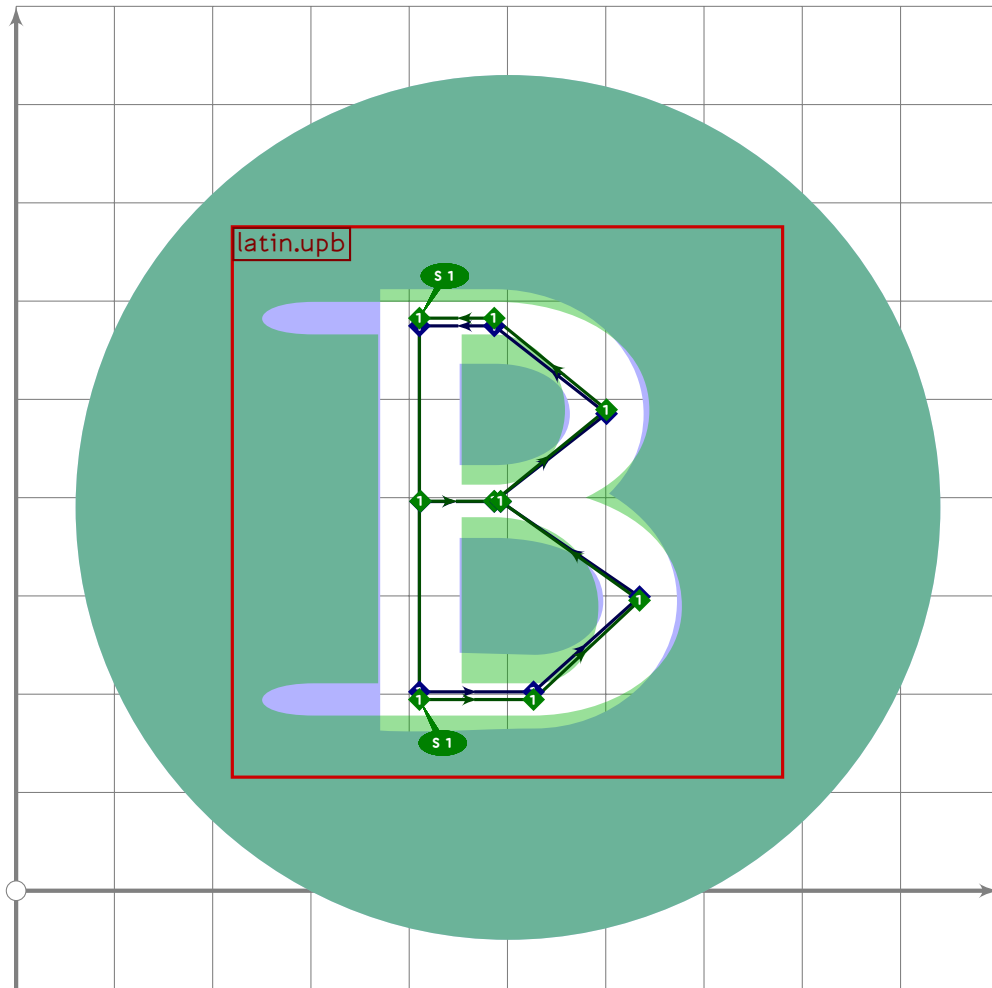
```



```

205 % A
206 % BACKGROUND 25CF
207 begint Suglyph("u1F150";80);
208   tsu_xform(tsu_xf.cletter)(tsu_curve.latin.upa);
209   i:=1; forever: exitif unknown bp[i]; bo_size[i]:=107; i:=i+1; endfor;
210   tsu_render;
211 endtsuglyph;
212

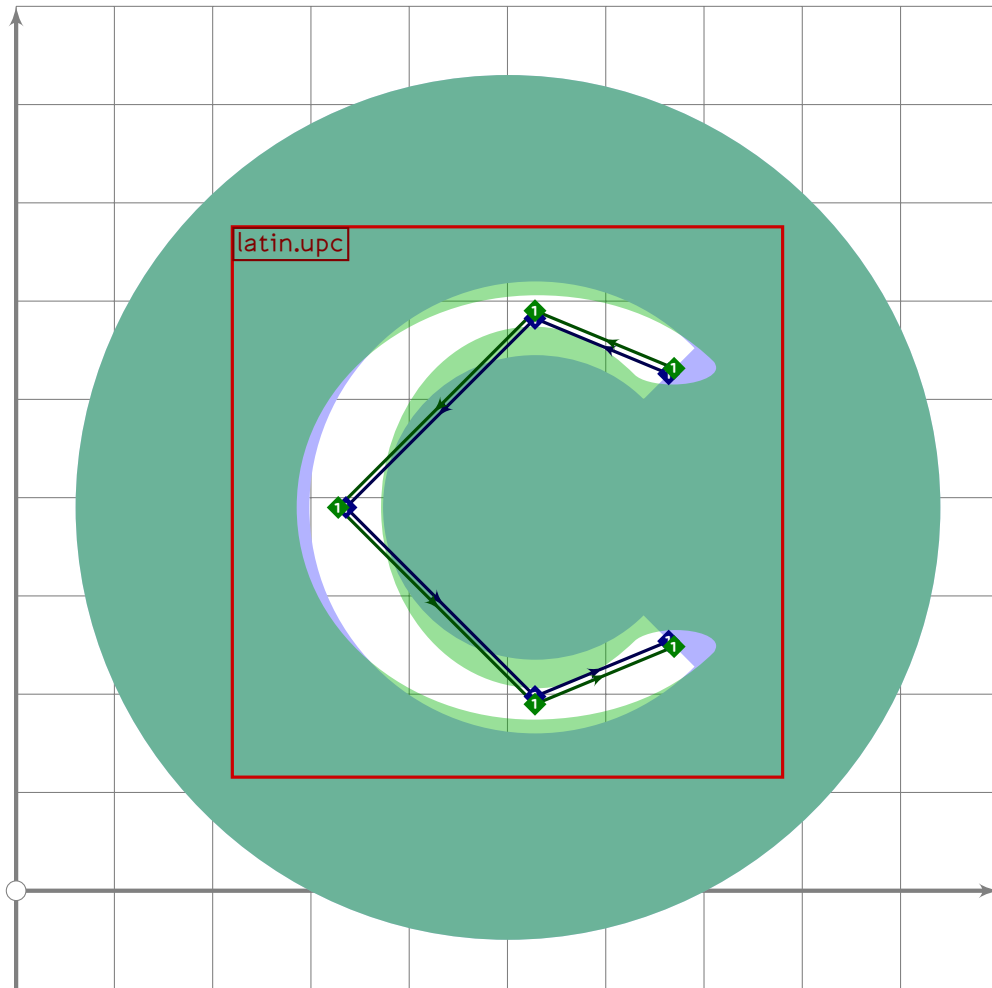
```



```

213 % B
214 % BACKGROUND 25CF
215 beginsuglyph("u1F151";81);
216 tsu_xform(tsu_xf.cletter)(tsu_curve.latin.upb);
217 i:=1; forever: exitif unknown bp[i]; bo_size[i]:=107; i:=i+1; endfor;
218 tsu_render;
219 endsuglyph;
220

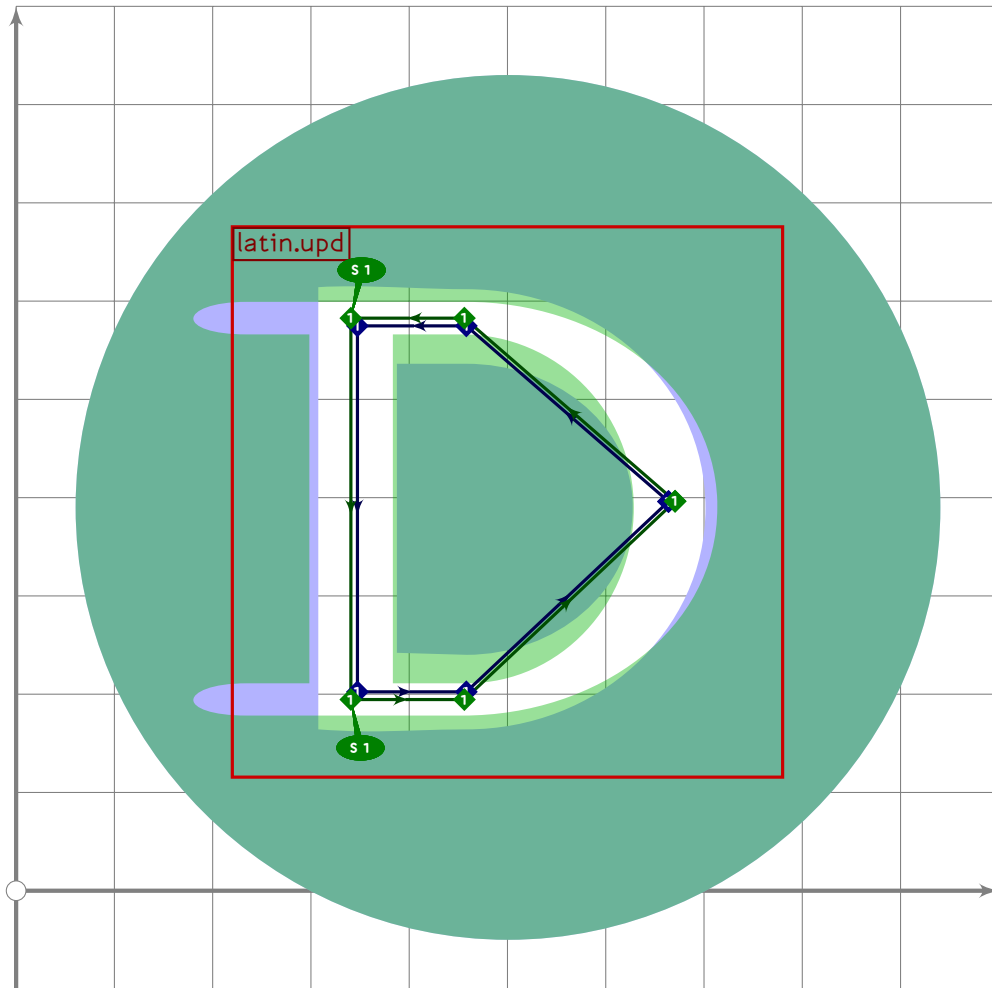
```



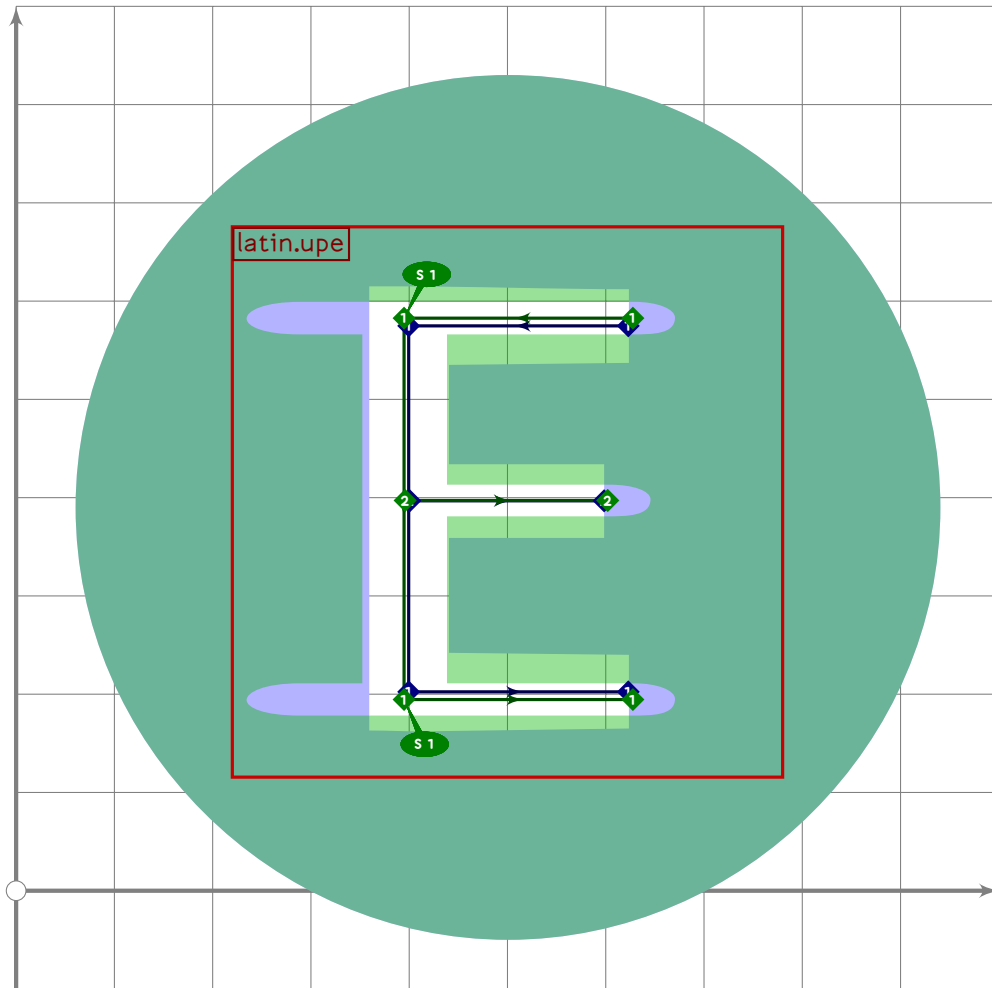
```

221 % C
222 % BACKGROUND 25CF
223 begint Suglyph("u1F152"82);
224 tsu_xform(tsu_xf.cletter)(tsu_curve.latin.upc);
225 i:=1; forever: exitif unknown bp[i]; bo_size[i]:=107; i:=i+1; endfor;
226 tsu_render;
227 endtsuglyph;
228

```



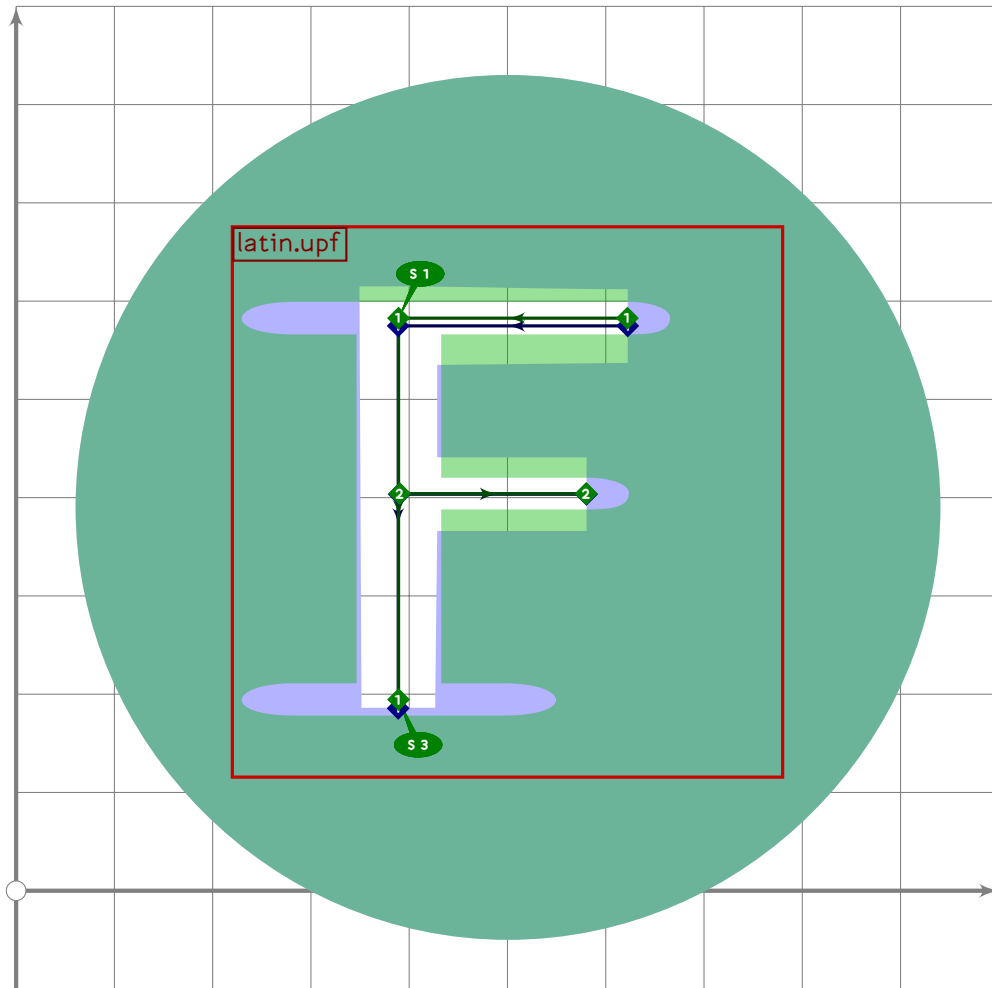
```
229 % D
230 % BACKGROUND 25CF
231 begint Suglyph("u1F153";83);
232 tsu_xform(tsu_xf.cletter)(tsu_curve.latin.upd);
233 i:=1; forever: exitif unknown bp[i]; bo_size[i]:=107; i:=i+1; endfor;
234 tsu_render;
235 endtsuglyph;
236
```



```

237 % E
238 % BACKGROUND 25CF
239 begint Suglyph("u1F154";84);
240 tsu_xform(tsu_xf.cletter)(tsu_curve.latin.upe);
241 i:=1; forever: exitif unknown bp[i]; bo_size[i]:=107; i:=i+1; endfor;
242 tsu_render;
243 endtsuglyph;
244

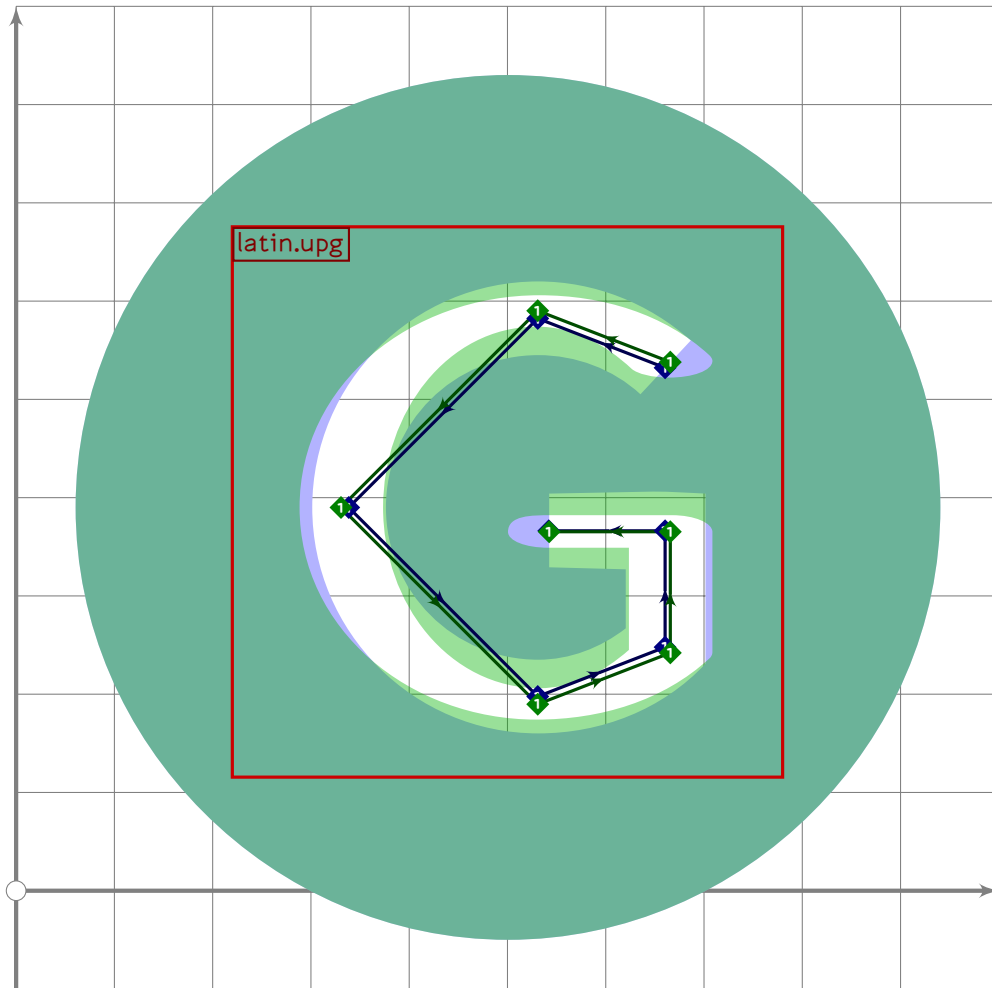
```

```

245 % F
246 % BACKGROUND 25CF
247 begint Suglyph("u1F155";85);
248   tsu_xform(tsu_xf.cletter)(tsu_curve.latin.upf);
249   i:=1; forever: exitif unknown bp[i]; bo_size[i]:=107; i:=i+1; endfor;
250   tsu_render;
251 endtsuglyph;
252

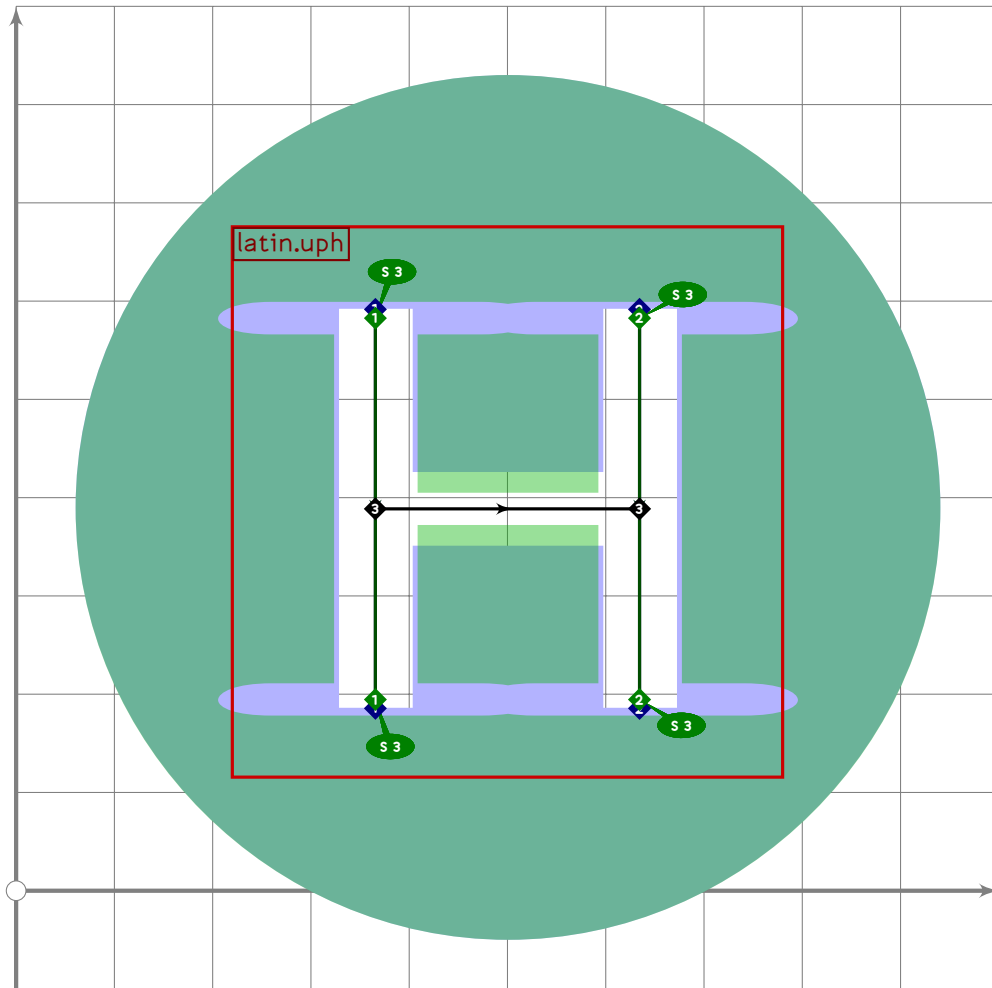
```



```

253 % G
254 % BACKGROUND 25CF
255 begint Suglyph("u1F156";86);
256 tsu_xform(tsu_xf.cletter)(tsu_curve.latin.upg);
257 i:=1; forever: exitif unknown bp[i]; bo_size[i]:=107; i:=i+1; endfor;
258 tsu_render;
259 endtsuglyph;
260

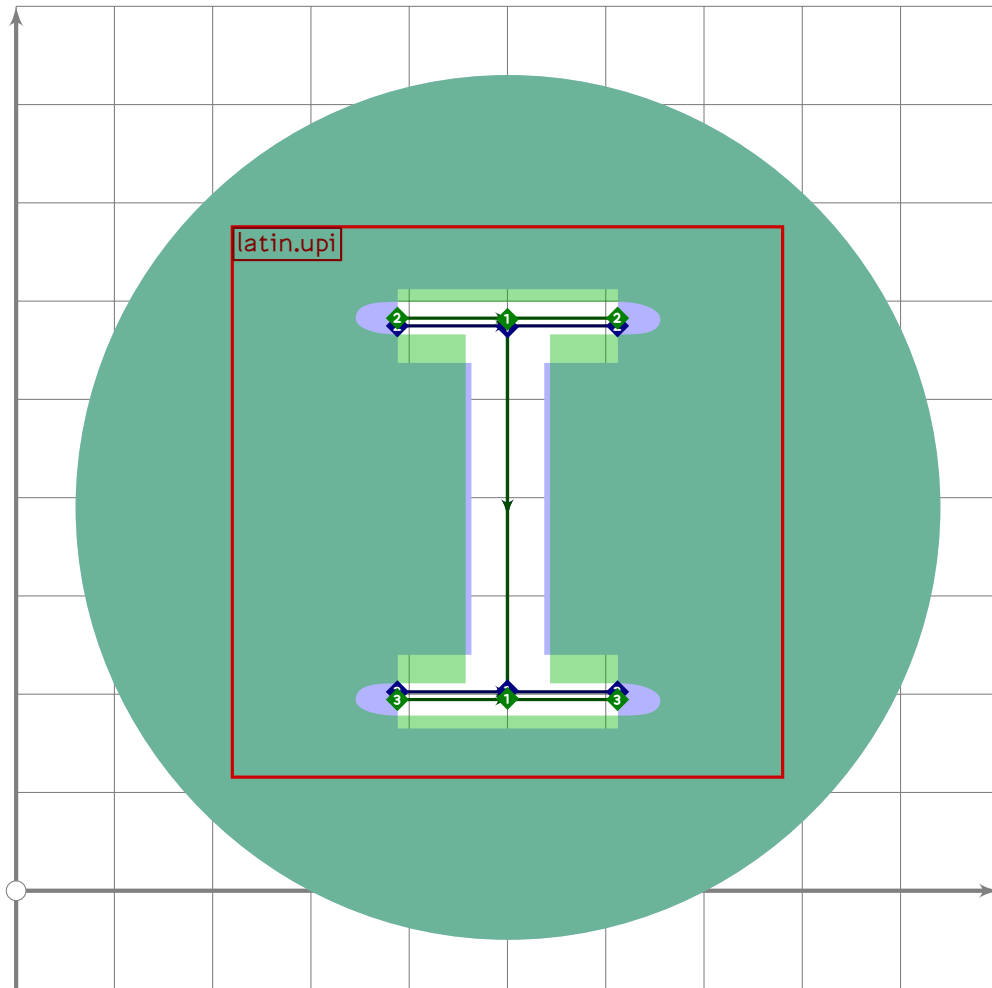
```



```

261 % H
262 % BACKGROUND 25CF
263 begint Suglyph("u1F157";87);
264   tsu_xform(tsu_xf.cletter)(tsu_curve.latin.uph);
265   i:=1; forever: exitif unknown bp[i]; bo_size[i]:=107; i:=i+1; endfor;
266   tsu_render;
267 endtsuglyph;
268

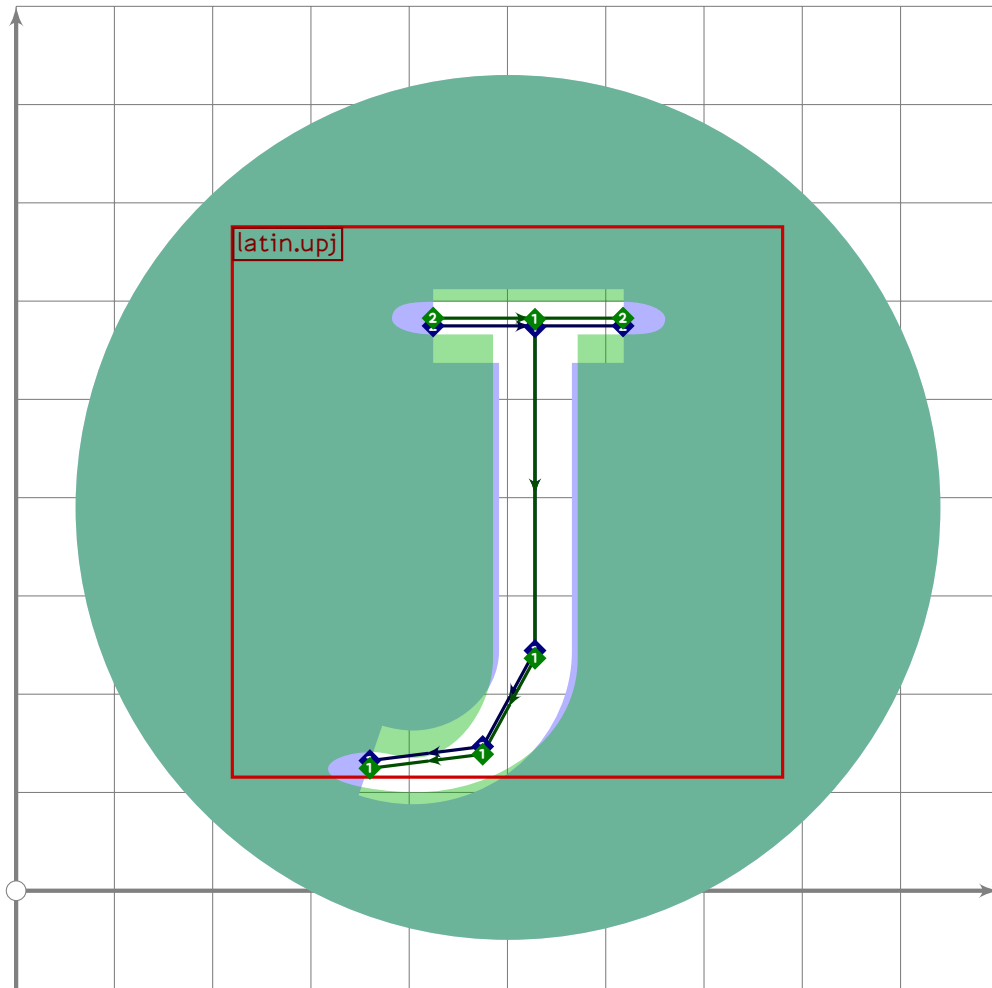
```



```

269 % I
270 % BACKGROUND 25CF
271 begint Suglyph("u1F158";88);
272 tsu_xform(tsu_xf.cletter)(tsu_curve.latin.upi);
273 i:=1; forever: exitif unknown bp[i]; bo_size[i]:=107; i:=i+1; endfor;
274 tsu_render;
275 endtsuglyph;
276

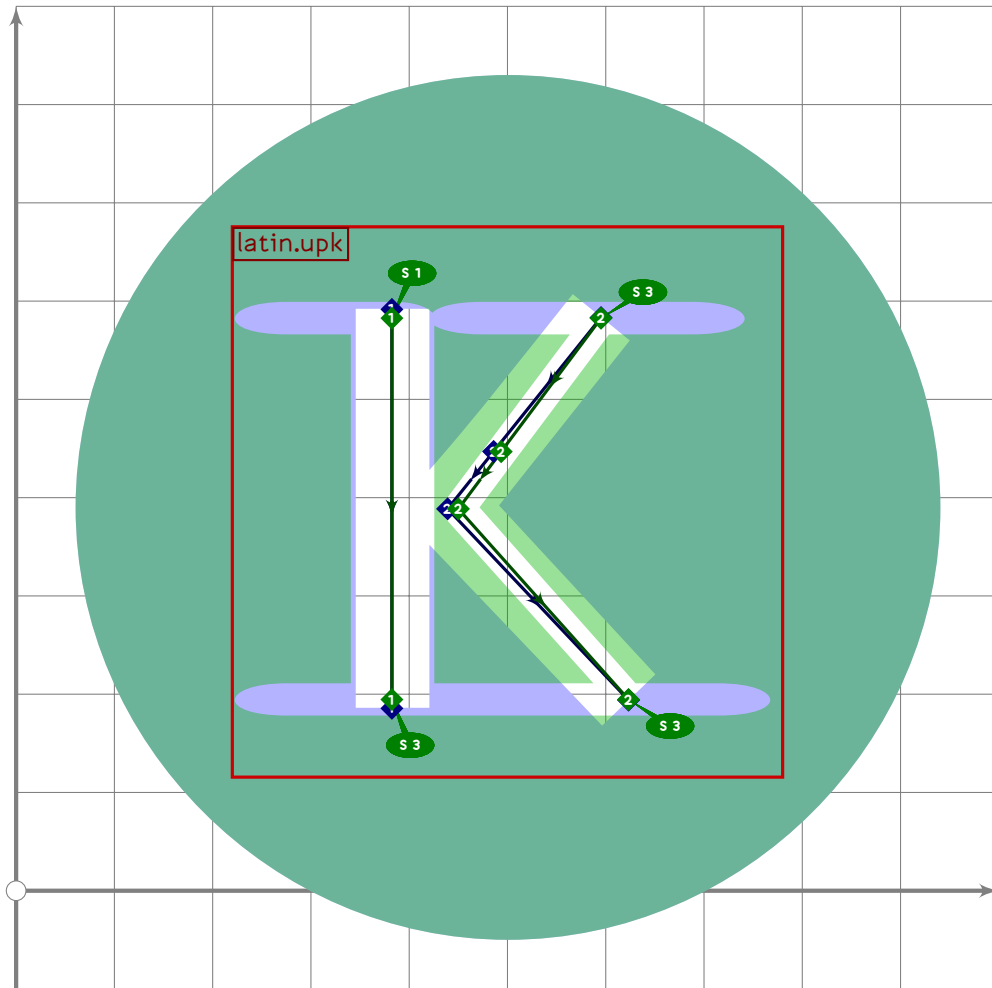
```



```

277 % J
278 % BACKGROUND 25CF
279 begint Suglyph("u1F159";89);
280 tsu_xform(tsu_xf.cletter)(tsu_curve.latin.upj);
281 i:=1; forever: exitif unknown bp[i]; bo_size[i]:=107; i:=i+1; endfor;
282 tsu_render;
283 endtsuglyph;
284

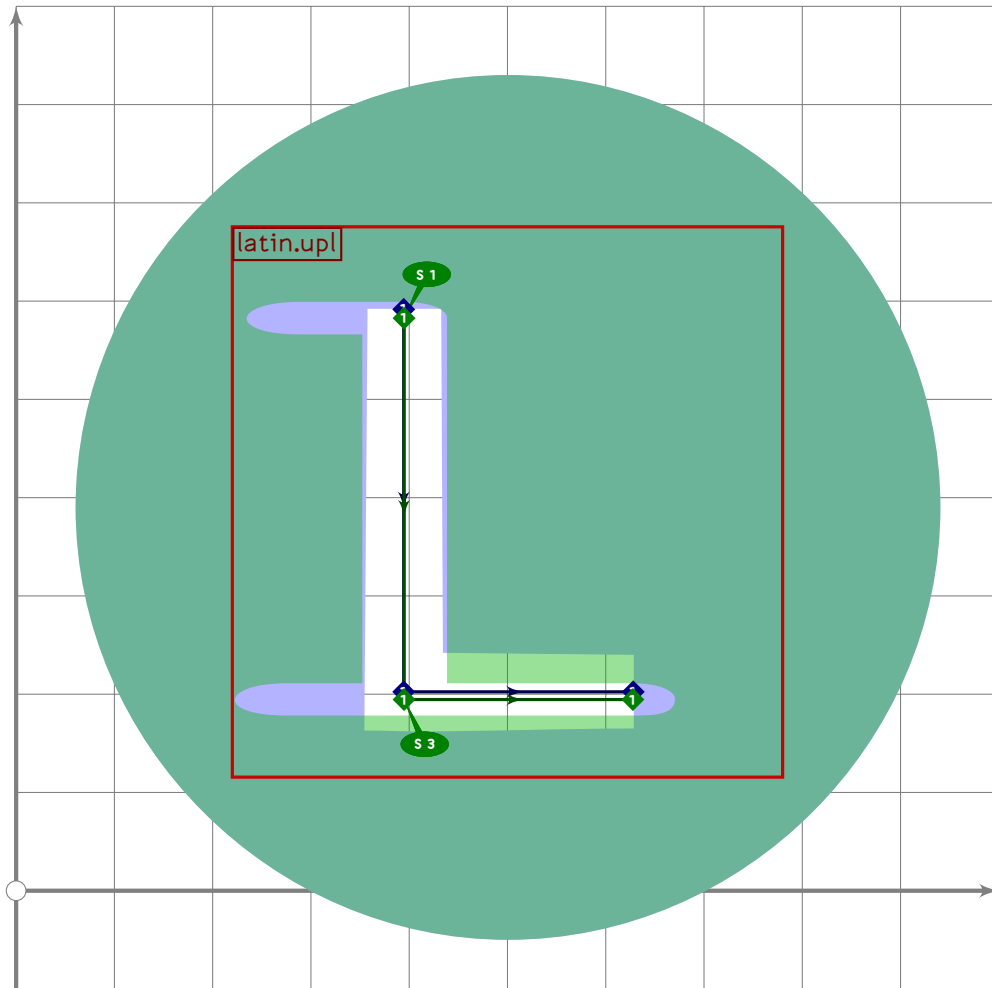
```



```

285 % K
286 % BACKGROUND 25CF
287 beginsuglyph("u1F15A";90);
288   tsu_xform(tsu_xf.cletter)(tsu_curve.latin.upk);
289   i:=1; forever: exitif unknown bp[i]; bo_size[i]:=107; i:=i+1; endfor;
290   tsu_render;
291 endsuglyph;
292

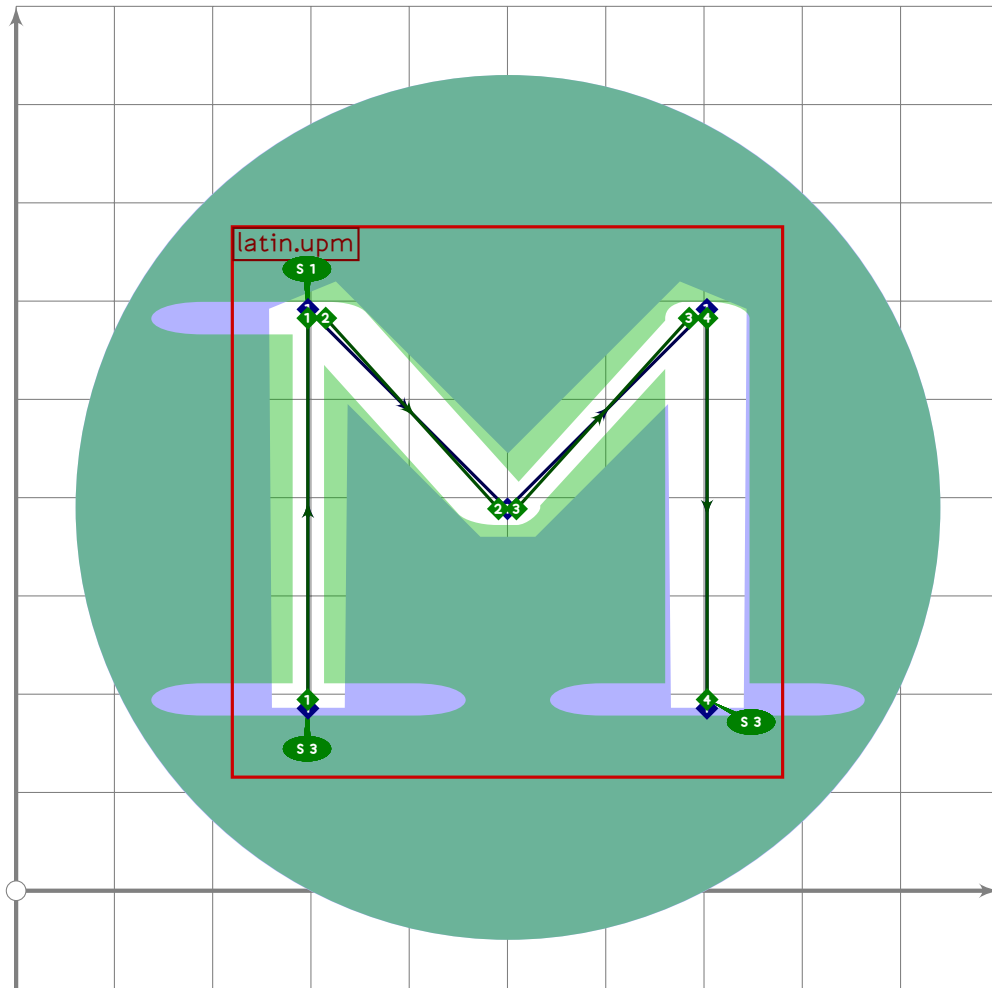
```



```

293 % L
294 % BACKGROUND 25CF
295 beginsuglyph("u1F15B";91);
296 tsu_xform(tsu_xf.cletter)(tsu_curve.latin.upl);
297 i:=1; forever: exitif unknown bp[i]; bo_size[i]:=107; i:=i+1; endfor;
298 tsu_render;
299 endsuglyph;
300

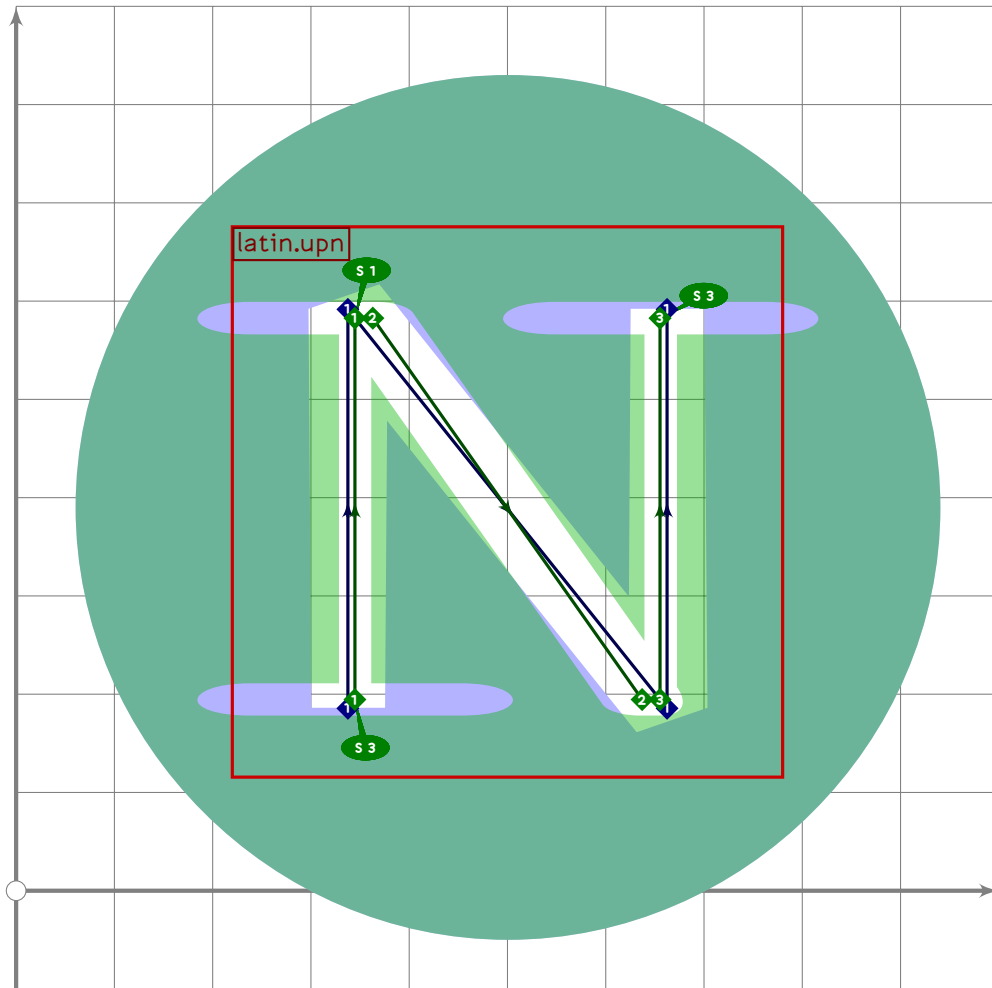
```



```

301 % M
302 % BACKGROUND 25CF
303 begint Suglyph("u1F15C"92);
304 tsu_xform(tsu_xf.cletter)(tsu_curve.latin.upm);
305 i:=1; forever: exitif unknown bp[i]; bo_size[i]:=107; i:=i+1; endfor;
306 tsu_render;
307 endtsuglyph;
308

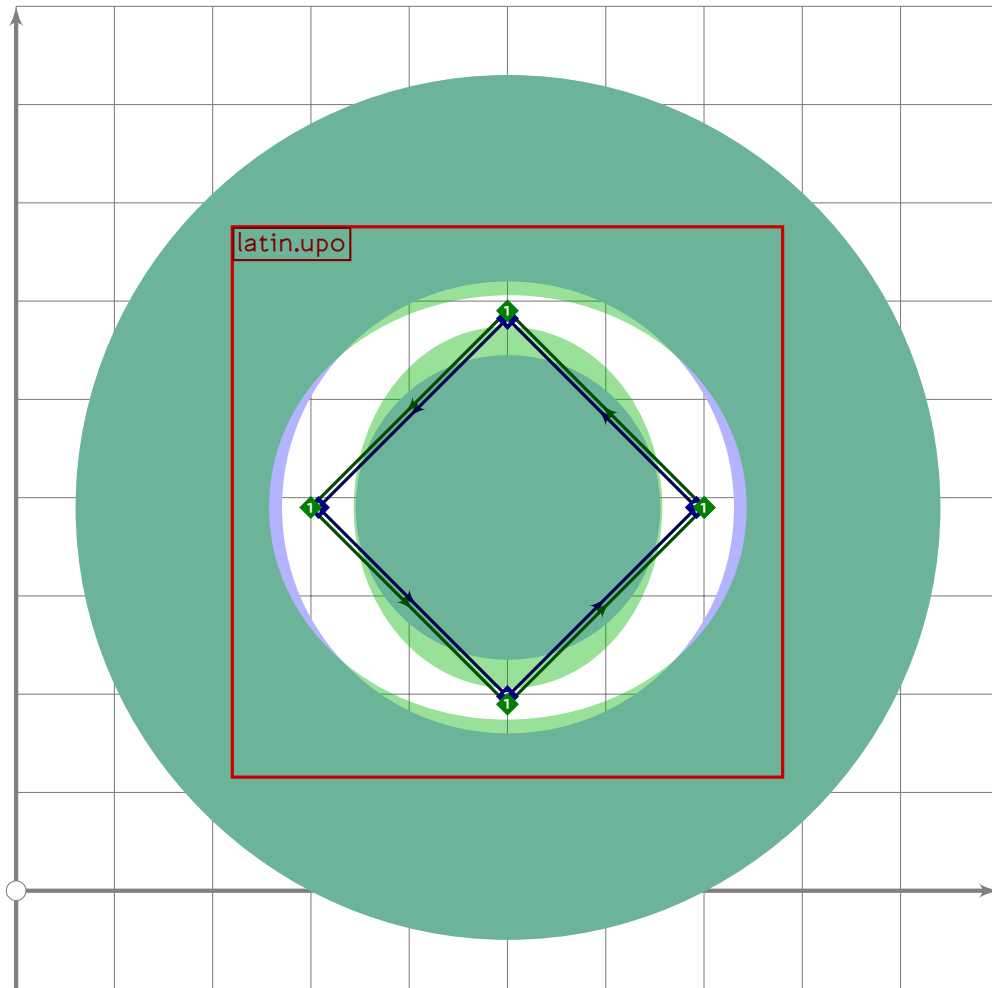
```

```

309 % N
310 % BACKGROUND 25CF
311 begintsglyph("u1F15D"93);
312 tsu_xform(tsu_xf.cletter)(tsu_curve.latin.upn);
313 i:=1; forever: exitif unknown bp[i]; bo_size[i]:=107; i:=i+1; endfor;
314 tsu_render;
315 endtsglyph;
316

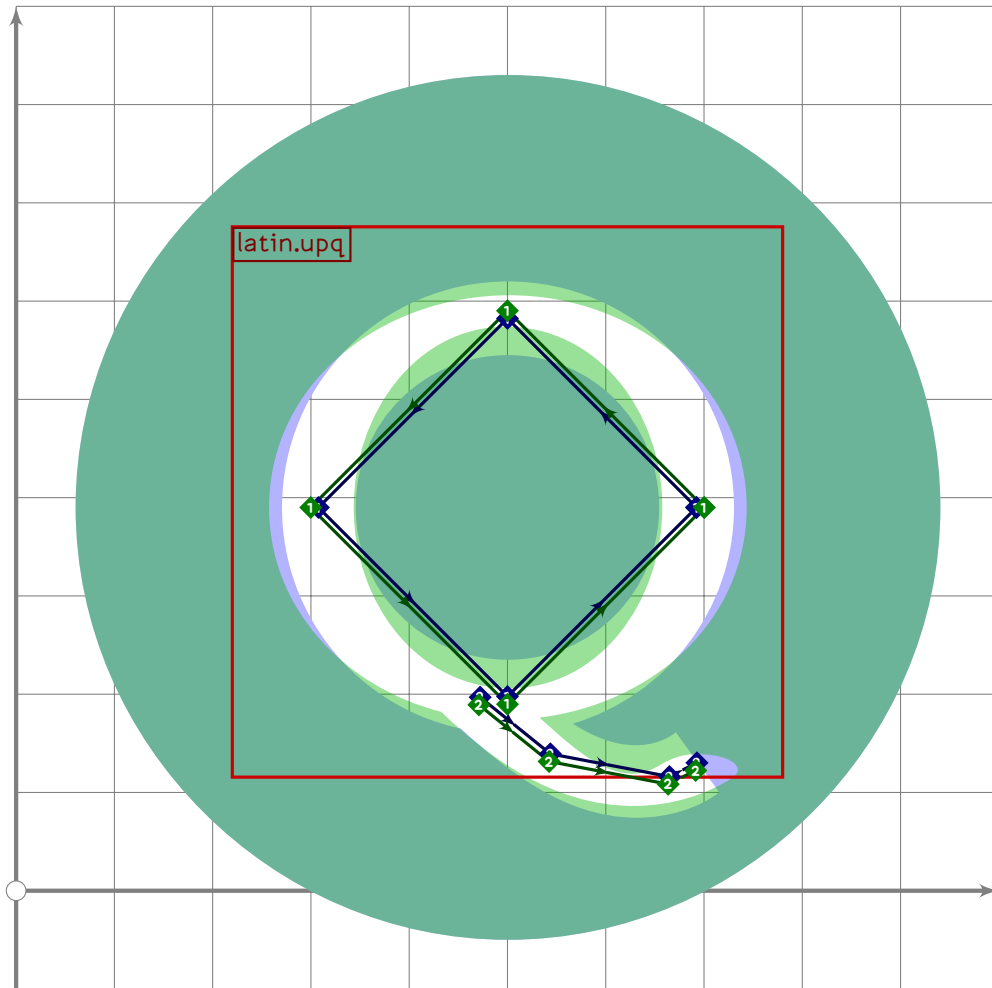
```



```

317 % O
318 % BACKGROUND 25CF
319 begint Suglyph("u1F15E";94);
320 tsu_xform(tsu_xf.cletter)(tsu_curve.latin.upo);
321 i:=1; forever: exitif unknown bp[i]; bo_size[i]:=107; i:=i+1; endfor;
322 tsu_render;
323 endtsuglyph;
324

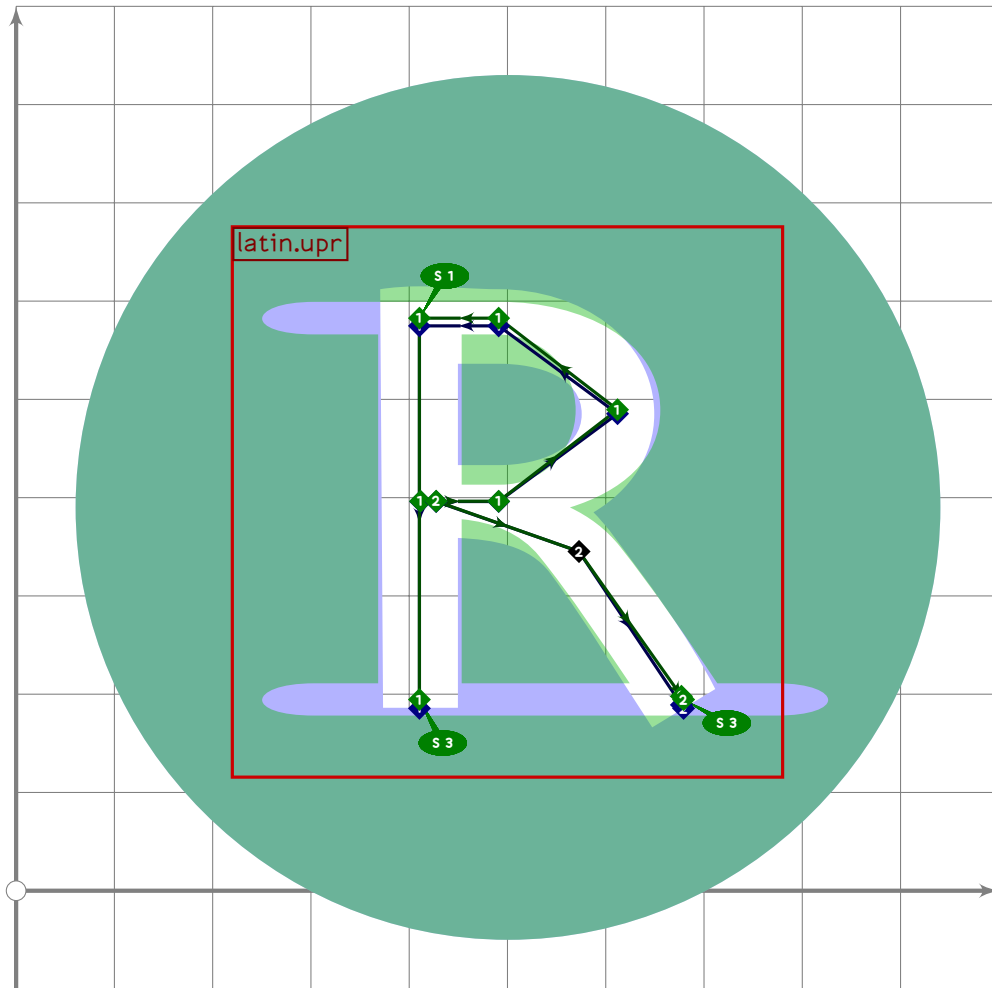
```

```

333 % Q
334 % BACKGROUND 25CF
335 begint Suglyph("u1F160";96);
336 tsu_xform(tsu_xf.cletter)(tsu_curve.latin.upq);
337 i:=1; forever: exitif unknown bp[i]; bo_size[i]:=107; i:=i+1; endfor;
338 tsu_render;
339 endtsuglyph;
340

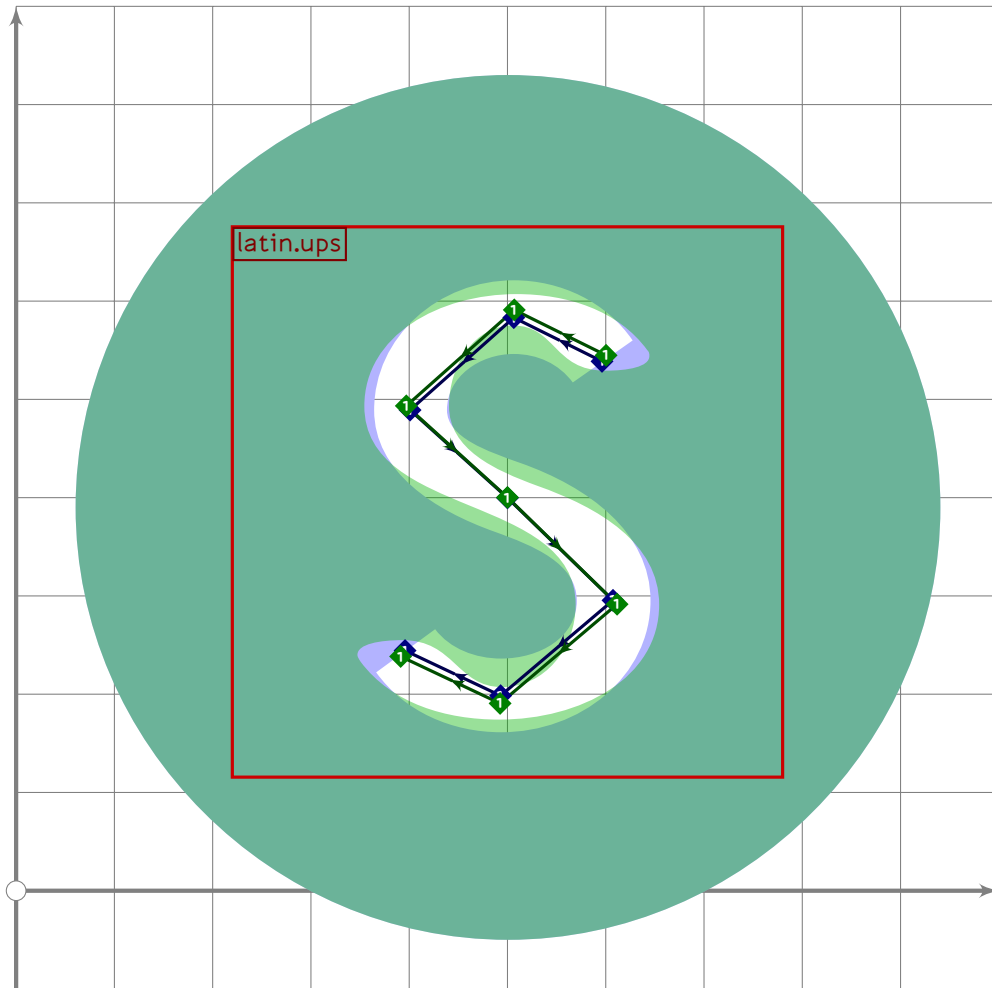
```



```

341 % R
342 % BACKGROUND 25CF
343 begint Suglyph("u1F161";97);
344   tsu_xform(tsu_xf.cletter)(tsu_curve.latin.upr);
345   i:=1; forever: exitif unknown bp[i]; bo_size[i]:=107; i:=i+1; endfor;
346   tsu_render;
347 endtsuglyph;
348

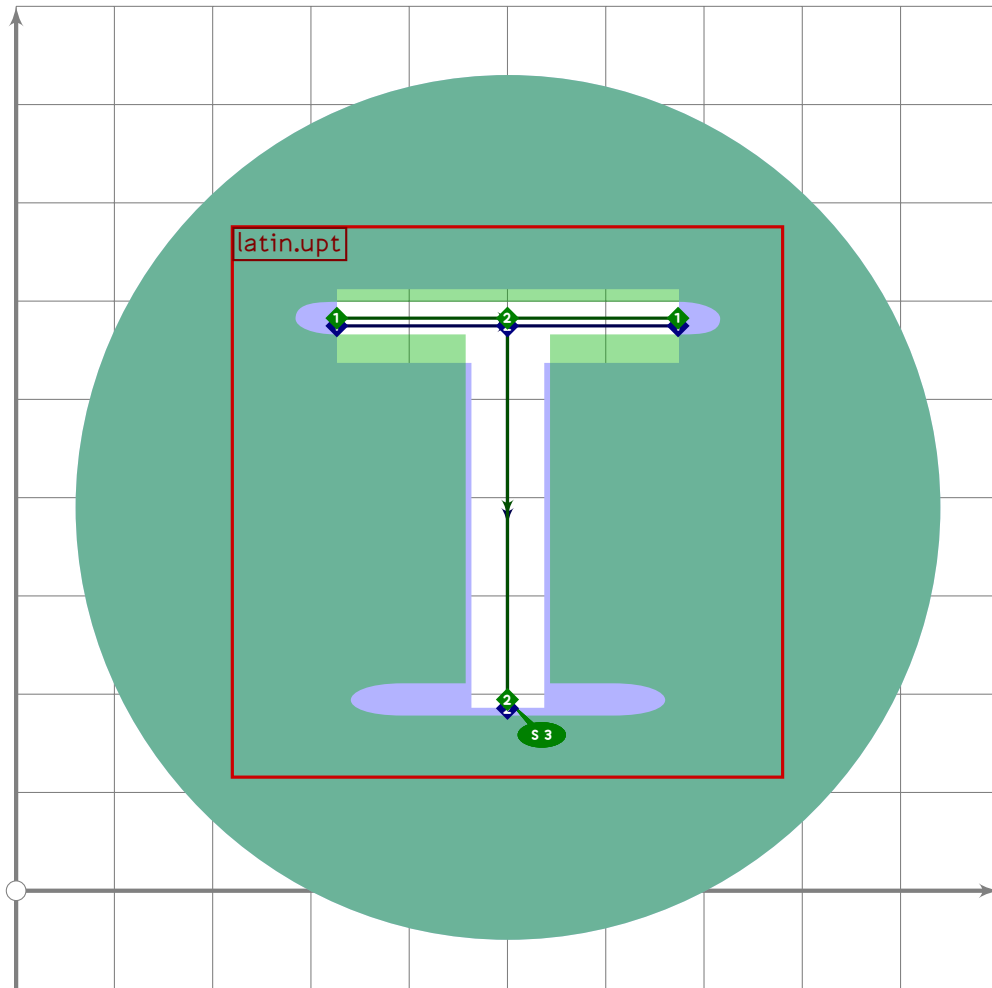
```



```

349 % S
350 % BACKGROUND 25CF
351 begint Suglyph("u1F162"98);
352 tsu_xform(tsu_xf.cletter)(tsu_curve.latin.ups);
353 i:=1; forever: exitif unknown bp[i]; bo_size[i]:=107; i:=i+1; endfor;
354 tsu_render;
355 endtsuglyph;
356

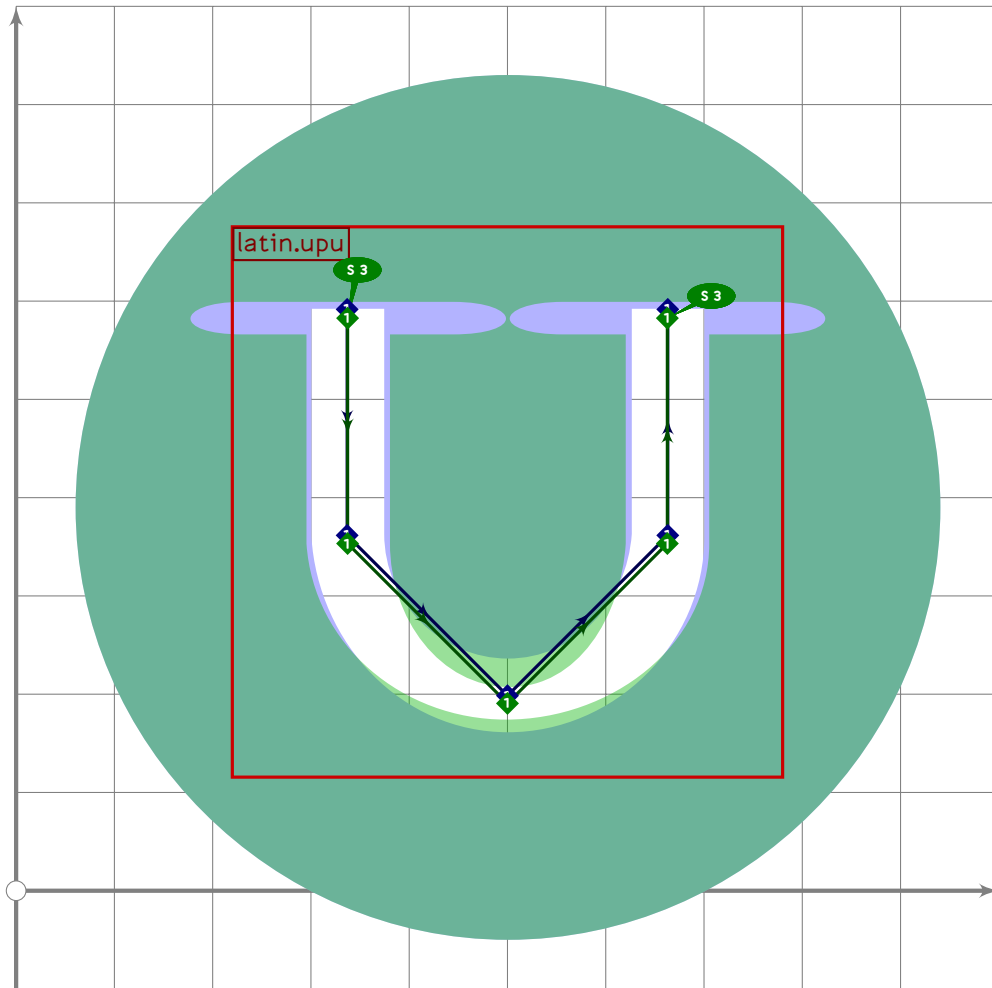
```



```

357 % T
358 % BACKGROUND 25CF
359 begintsuglyph("u1F163";99);
360 tsu_xform(tsu_xf.cletter)(tsu_curve.latin.upt);
361 i:=1; forever: exitif unknown bp[i]; bo_size[i]:=107; i:=i+1; endfor;
362 tsu_render;
363 endtsuglyph;
364

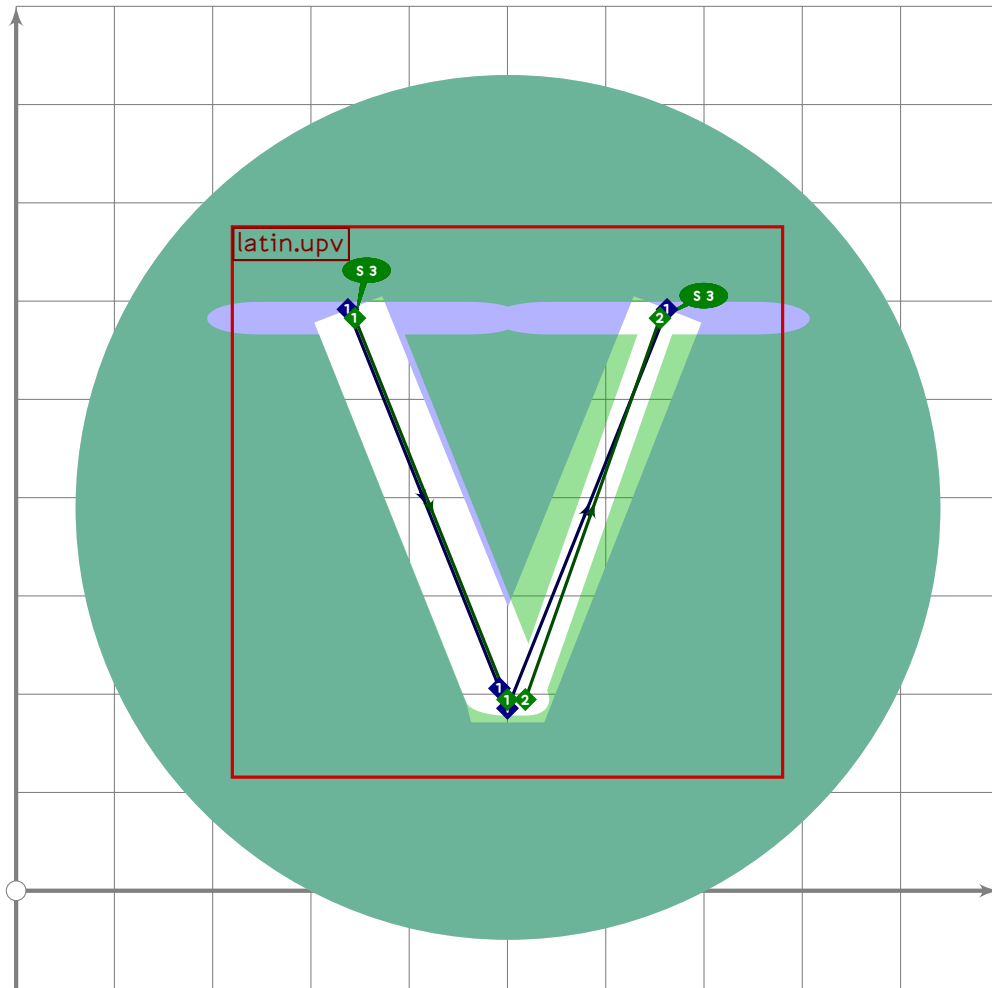
```



```

365 % U
366 % BACKGROUND 25CF
367 begint Suglyph("u1F164";100);
368   tsu_xform(tsu_xf.cletter)(tsu_curve.latin.upu);
369   i:=1; forever: exitif unknown bp[i]; bo_size[i]:=107; i:=i+1; endfor;
370   tsu_render;
371 endtsuglyph;
372

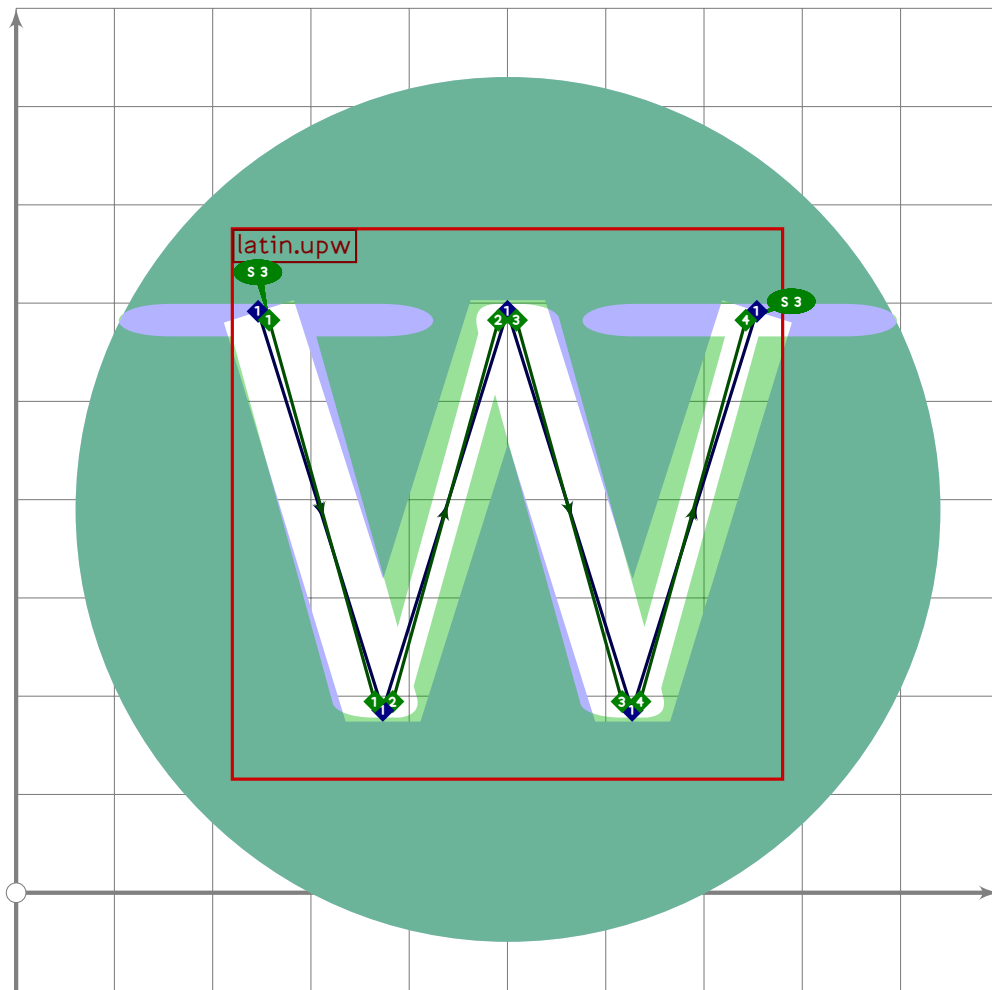
```

```

373 % V
374 % BACKGROUND 25CF
375 begint Suglyph("u1F165";101);
376 tsu_xform(tsu_xf.cletter)(tsu_curve.latin.upv);
377 i:=1; forever: exitif unknown bp[i]; bo_size[i]:=107; i:=i+1; endfor;
378 tsu_render;
379 endtsuglyph;
380

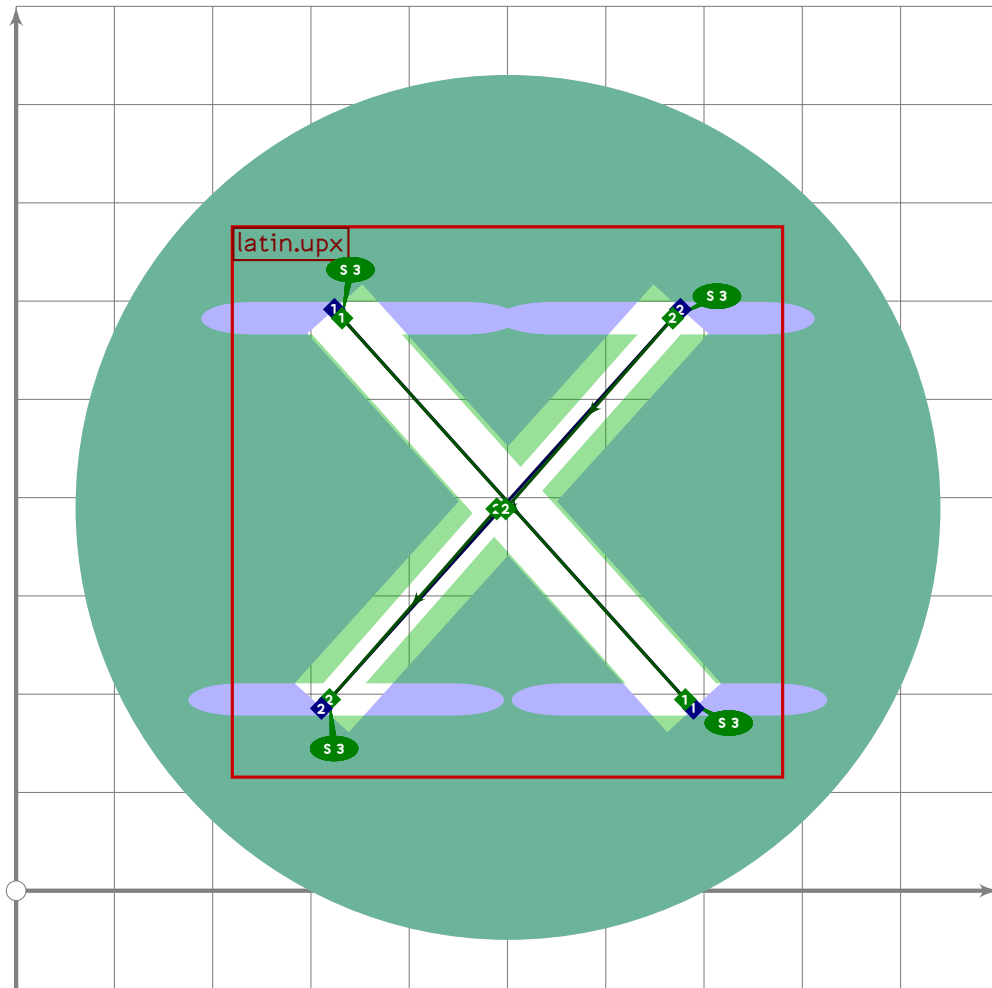
```



```

381 % W
382 % BACKGROUND 25CF
383 begint Suglyph("u1F166";102);
384 tsu_xform(tsu_xf.cletter)(tsu_curve.latin.upw);
385 i:=1; forever: exitif unknown bp[i]; bo_size[i]:=107; i:=i+1; endfor;
386 tsu_render;
387 endtsuglyph;
388

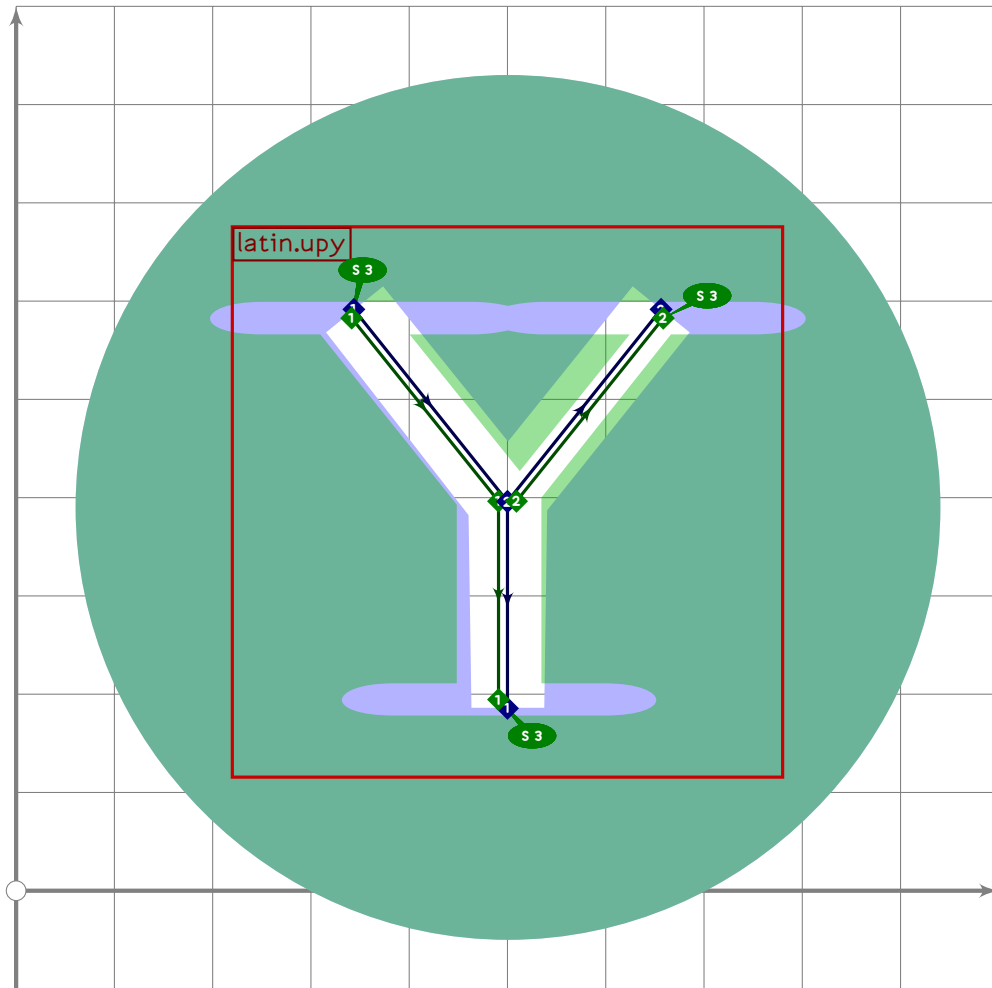
```



```

389 % X
390 % BACKGROUND 25CF
391 begint Suglyph("u1F167";103);
392 tsu_xform(tsu_xf.cletter)(tsu_curve.latin.upx);
393 i:=1; forever: exitif unknown bp[i]; bo_size[i]:=107; i:=i+1; endfor;
394 tsu_render;
395 endtsuglyph;
396

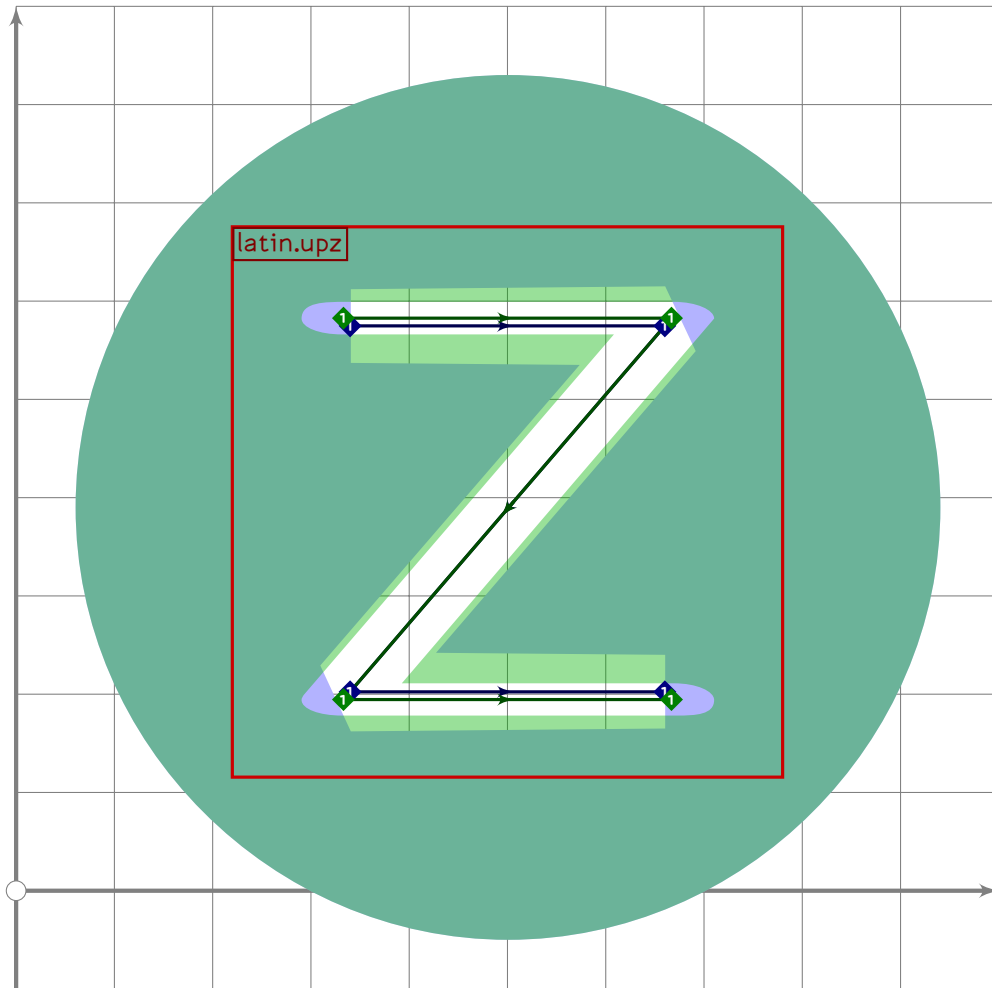
```



```

397 % Y
398 % BACKGROUND 25CF
399 begintsuglyph("u1F168";104);
400 tsu_xform(tsu_xf.cletter)(tsu_curve.latin.upy);
401 i:=1; forever: exitif unknown bp[i]; bo_size[i]:=107; i:=i+1; endfor;
402 tsu_render;
403 endtsuglyph;
404

```



```

405 % Z
406 % BACKGROUND 25CF
407 begint Suglyph("u1F169";105);
408 tsu_xform(tsu_xf.cletter)(tsu_curve.latin.upz);
409 i:=1; forever: exitif unknown bp[i]; bo_size[i]:=107; i:=i+1; endfor;
410 tsu_render;
411 endtsuglyph;
412
413
414

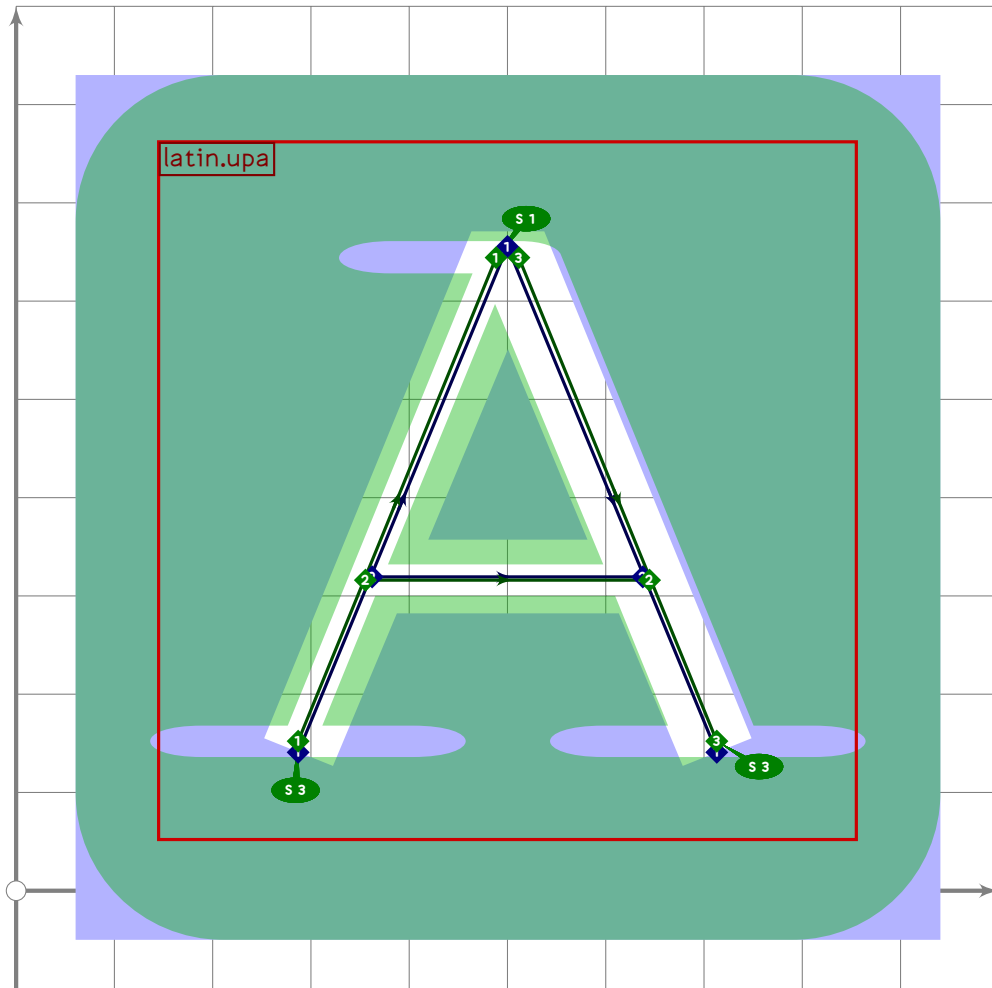
```

Inverse Squared Latin

```

415 % INVERSE SQUARED LATIN
416

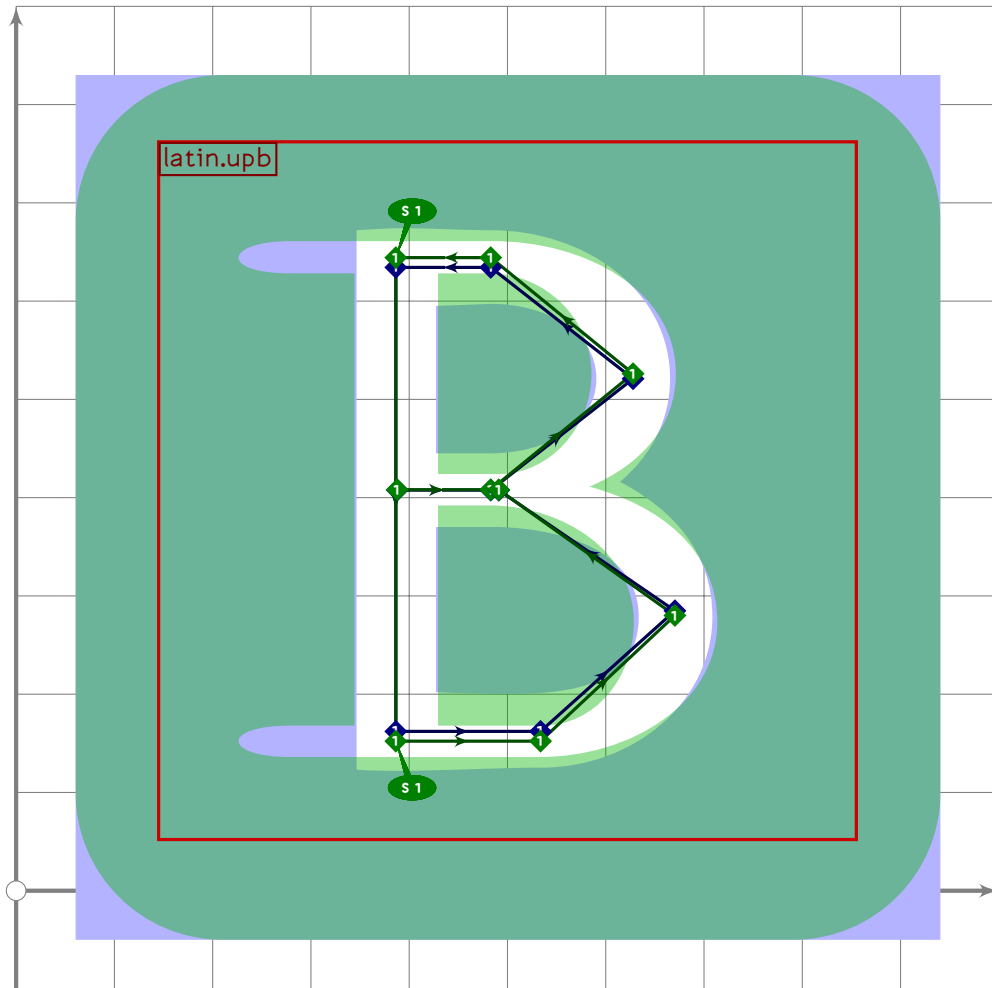
```



```

417 % A
418 % BACKGROUND F1712
419 beginsuglyph("u1F170";112);
420 tsu_xform(tsu_xf.sletter)(tsu_curve.latin.upa);
421 i:=1; forever: exitif unknown bp[i]; bo_size[i]:=107; i:=i+1; endfor;
422 tsu_render;
423 endsuglyph;
424

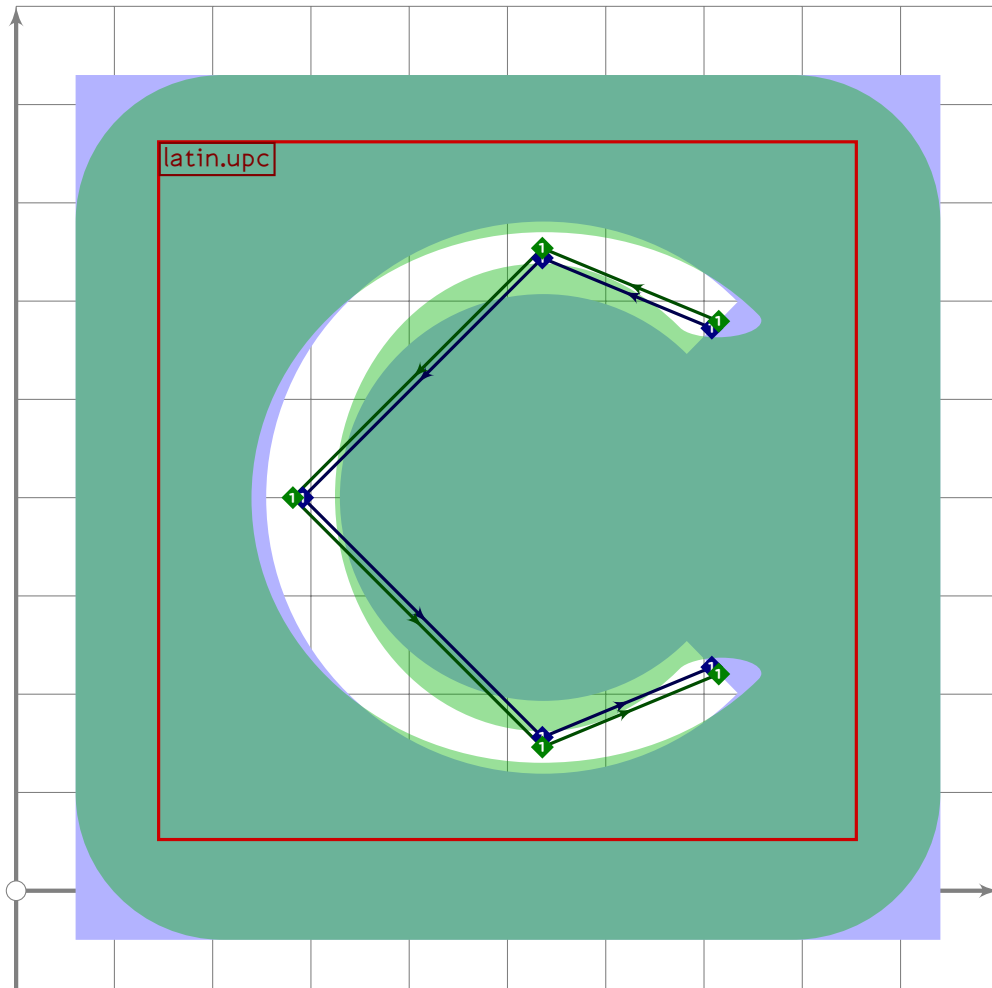
```



```

425 % B
426 % BACKGROUND F1712
427 begint Suglyph("u1F171";113);
428   tsu_xform(tsu_xf.sletter)(tsu_curve.latin.upb);
429   i:=1; forever: exitif unknown bp[i]; bo_size[i]:=107; i:=i+1; endfor;
430   tsu_render;
431   endtsuglyph;
432

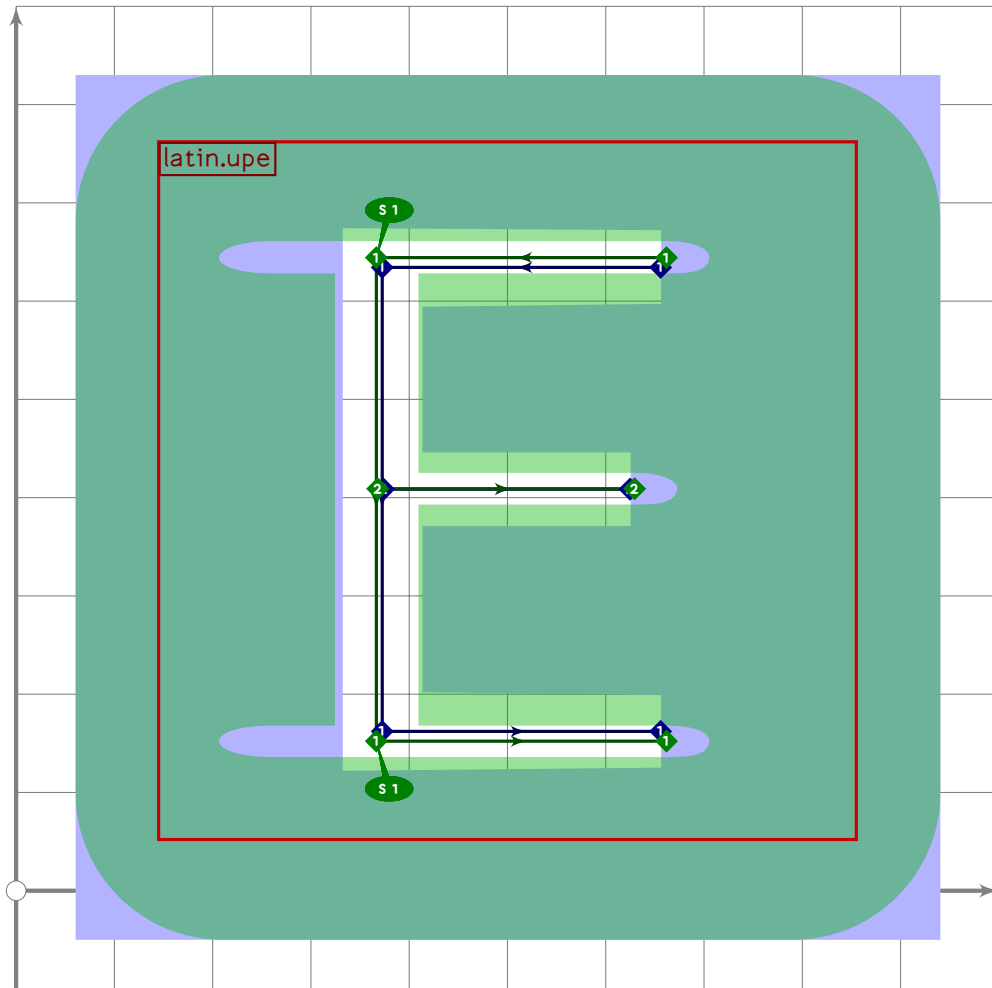
```



```

433 % C
434 % BACKGROUND F1712
435 begint Suglyph("u1F172";114);
436 tsu_xform(tsu_xf.sletter)(tsu_curve.latin.upc);
437 i:=1; forever: exitif unknown bp[i]; bo_size[i]:=107; i:=i+1; endfor;
438 tsu_render;
439 endtsuglyph;
440

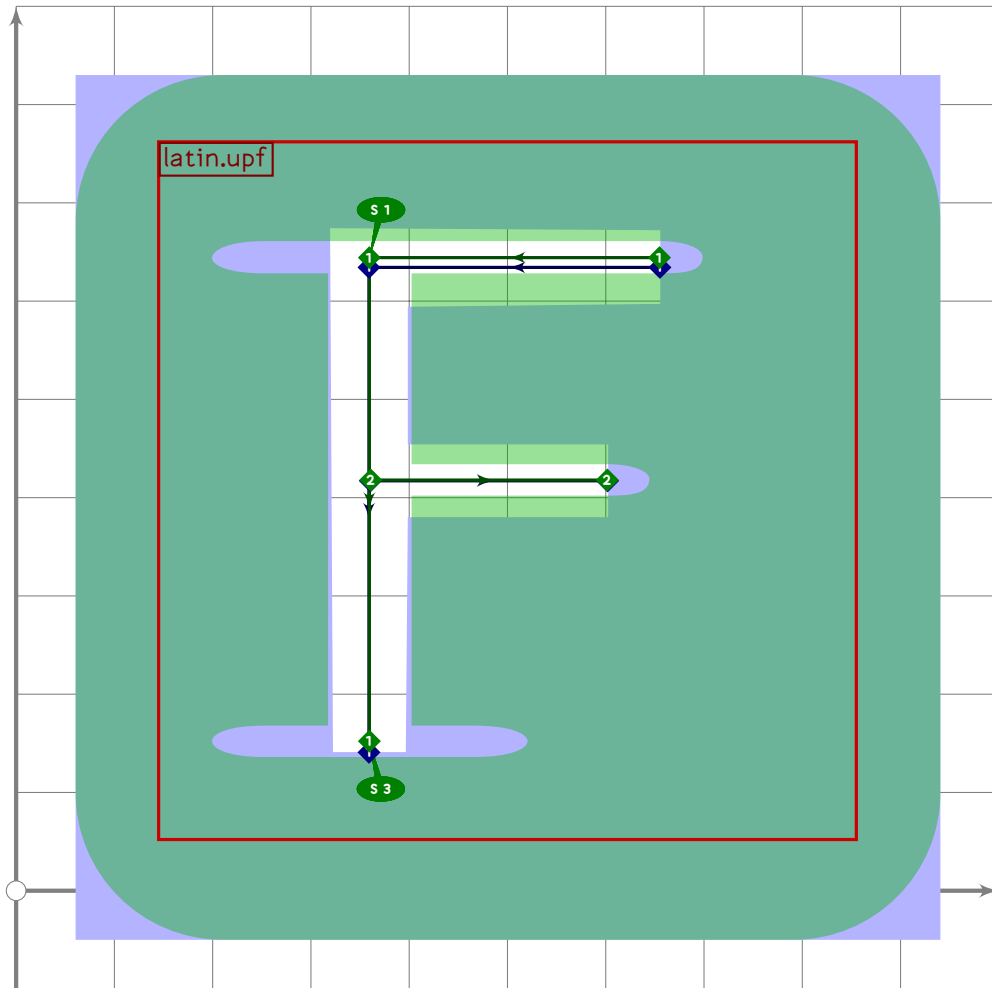
```

```

449 % E
450 % BACKGROUND F1712
451 begint Suglyph("u1F174";116);
452   tsu_xform(tsu_xf.sletter)(tsu_curve.latin.upe);
453   i:=1; forever: exitif unknown bp[i]; bo_size[i]:=107; i:=i+1; endfor;
454   tsu_render;
455 endtsuglyph;
456

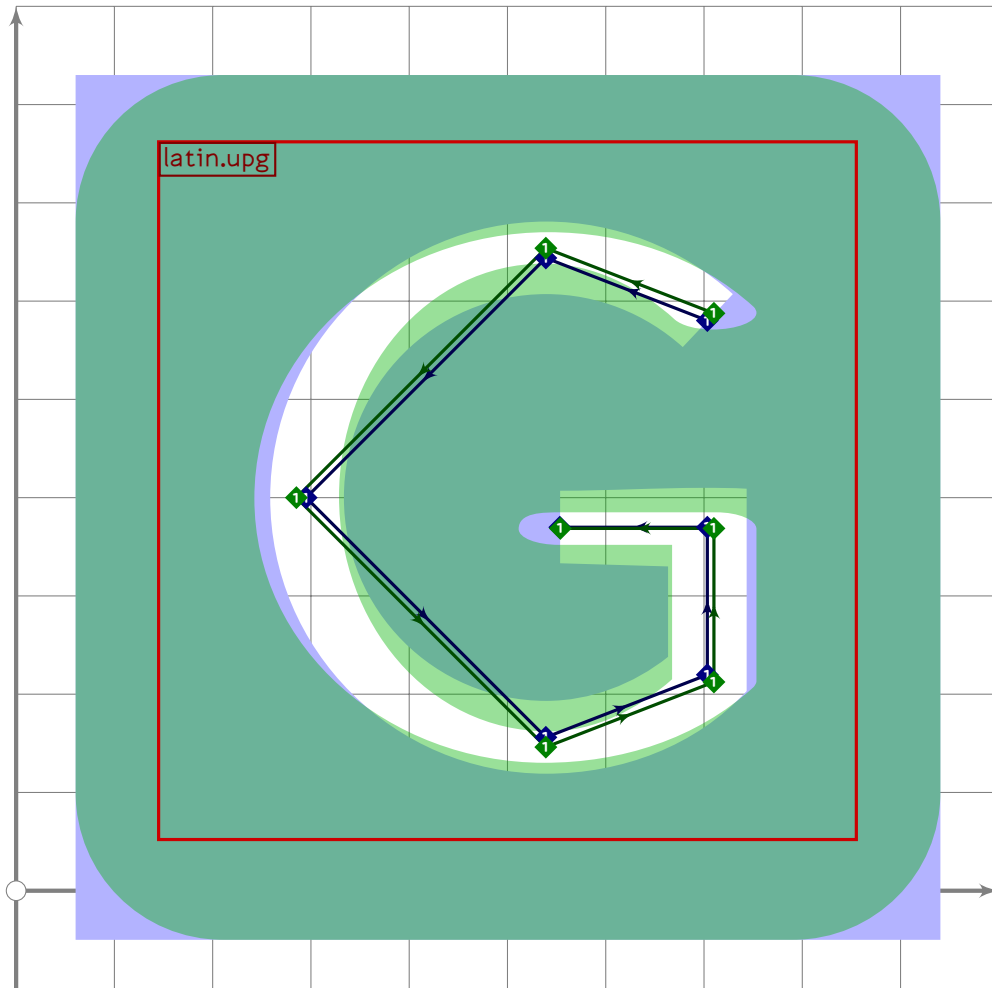
```



```

457 % F
458 % BACKGROUND F1712
459 begintsuglyph("u1F175";117);
460 tsu_xform(tsu_xf.sletter)(tsu_curve.latin.upf);
461 i:=1; forever: exitif unknown bp[i]; bo_size[i]:=107; i:=i+1; endfor;
462 tsu_render;
463 endtsuglyph;
464

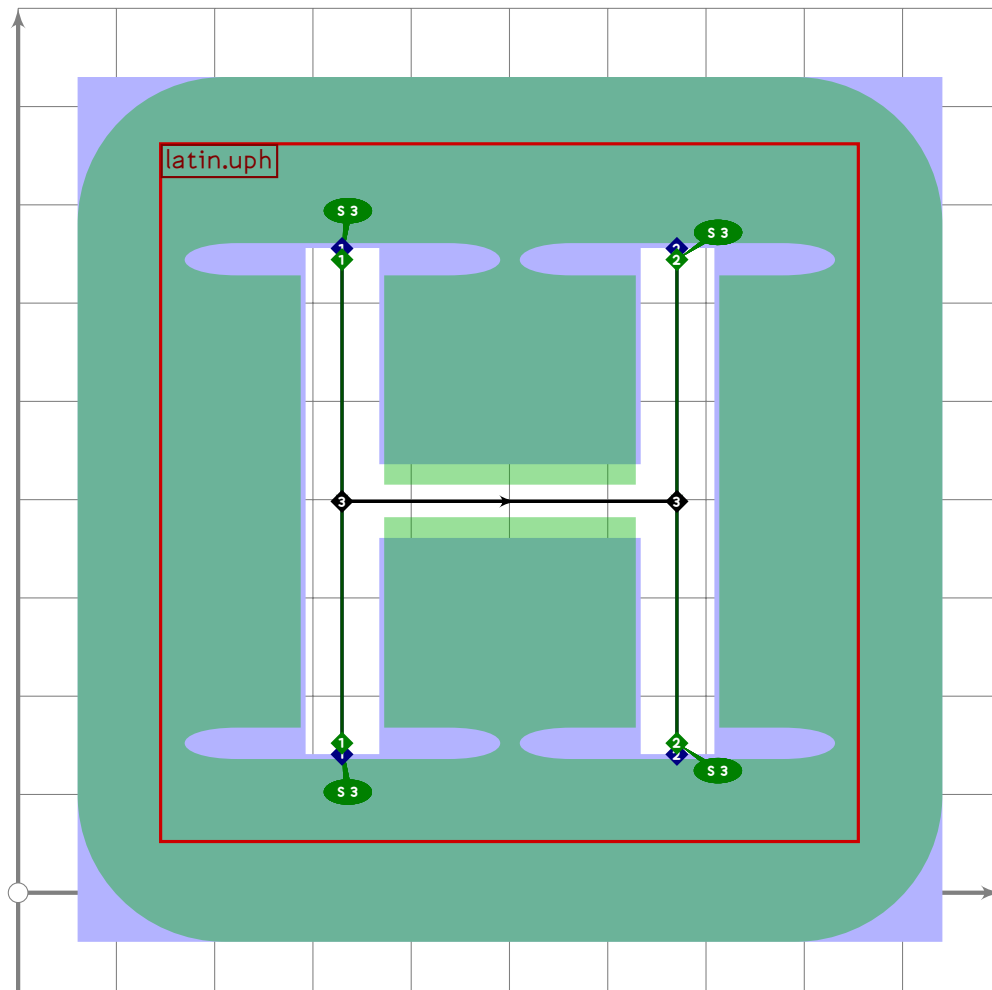
```



```

465 % G
466 % BACKGROUND F1712
467 begint Suglyph("u1F176";118);
468   tsu_xform(tsu_xf.sletter)(tsu_curve.latin.upg);
469   i:=1; forever: exitif unknown bp[i]; bo_size[i]:=107; i:=i+1; endfor;
470   tsu_render;
471 endtsuglyph;
472

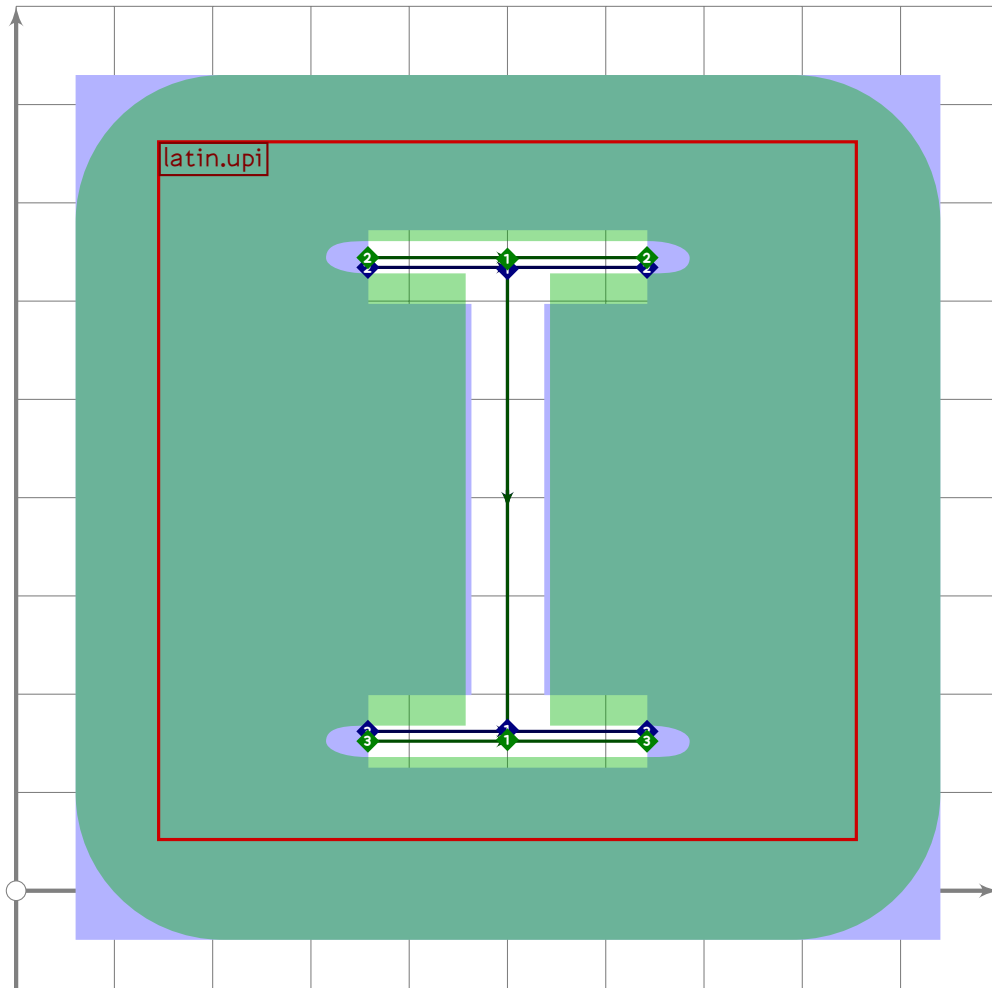
```



```

473 % H
474 % BACKGROUND F1712
475 beginsuglyph("u1F177";119);
476 tsu_xform(tsu_xf.sletter)(tsu_curve.latin.uph);
477 i:=1; forever: exitif unknown bp[i]; bo_size[i]:=107; i:=i+1; endfor;
478 tsu_render;
479 endsuglyph;
480

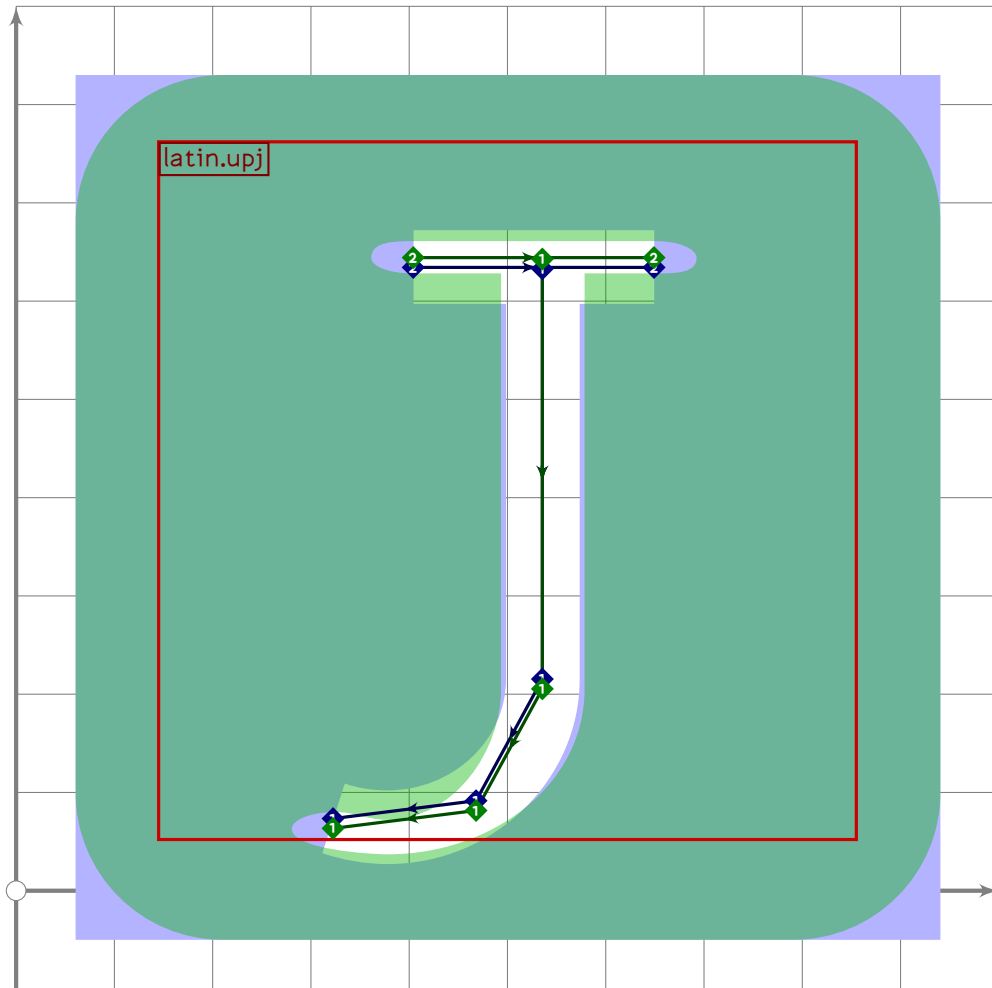
```



```

481 % I
482 % BACKGROUND F1712
483 beginsuglyph("u1F178";120);
484   tsu_xform(tsu_xf.sletter)(tsu_curve.latin.upi);
485   i:=1; forever: exitif unknown bp[i]; bo_size[i]:=107; i:=i+1; endfor;
486   tsu_render;
487 endsuglyph;
488

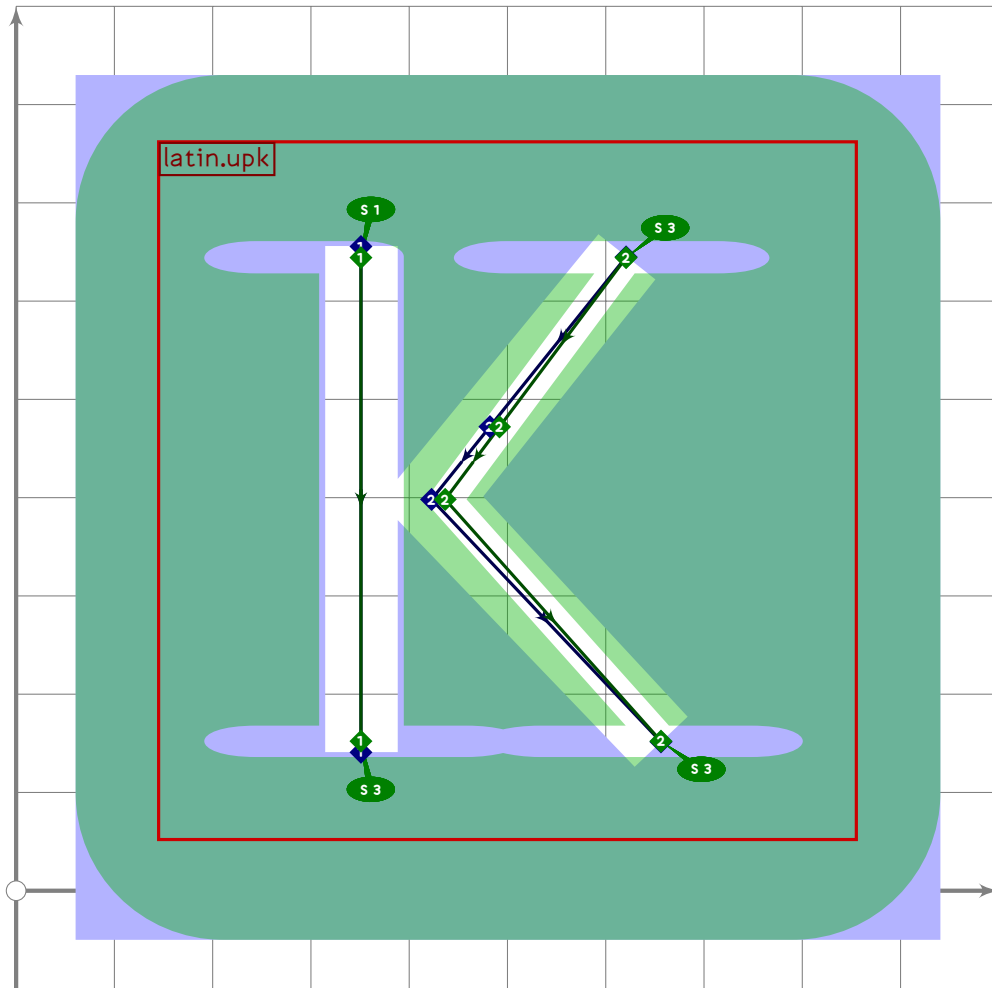
```



```

489 % J
490 % BACKGROUND F1712
491 begint Suglyph("u1F179";121);
492 tsu_xform(tsu_xf.sletter)(tsu_curve.latin.upj);
493 i:=1; forever: exitif unknown bp[i]; bo_size[i]:=107; i:=i+1; endfor;
494 tsu_render;
495 endtsuglyph;
496

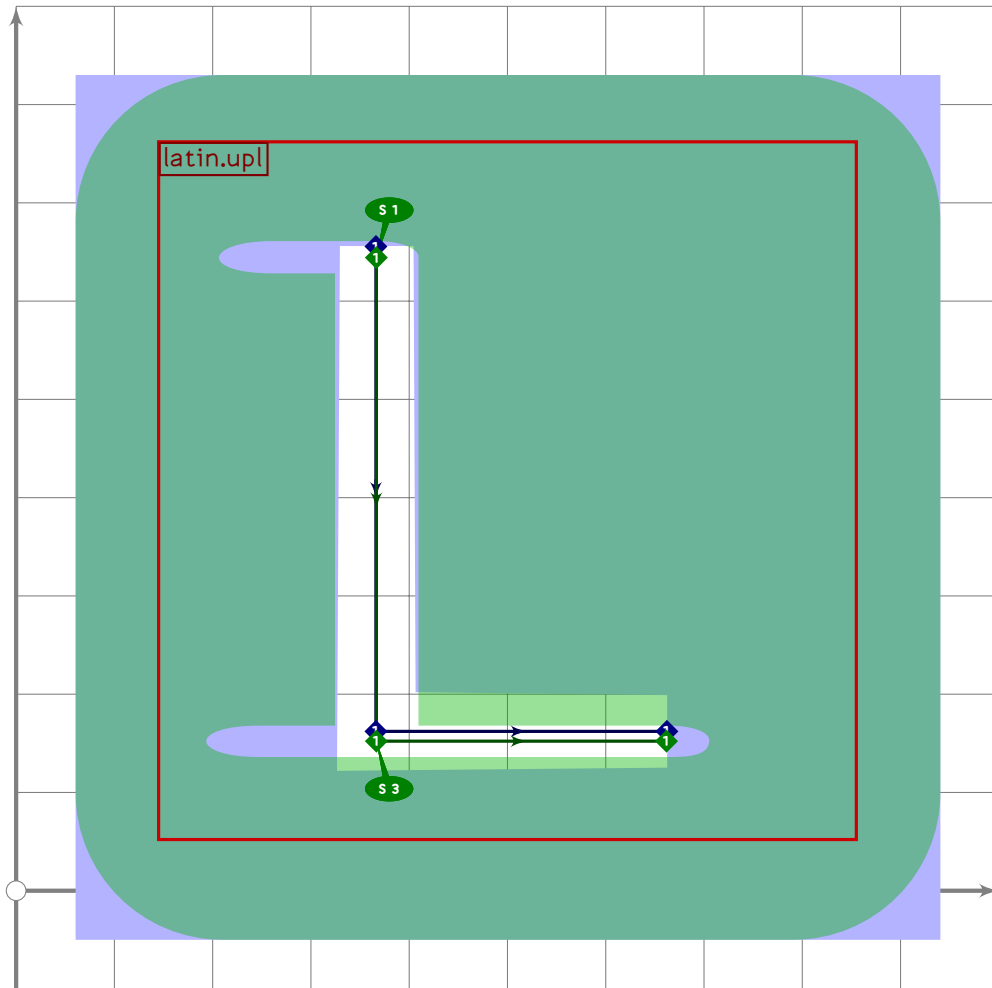
```



```

497 % K
498 % BACKGROUND F1712
499 beginsuglyph("u1F17A";122);
500 tsu_xform(tsu_xf.sletter)(tsu_curve.latin.upk);
501 i:=1; forever: exitif unknown bp[i]; bo_size[i]:=107; i:=i+1; endfor;
502 tsu_render;
503 endsuglyph;
504

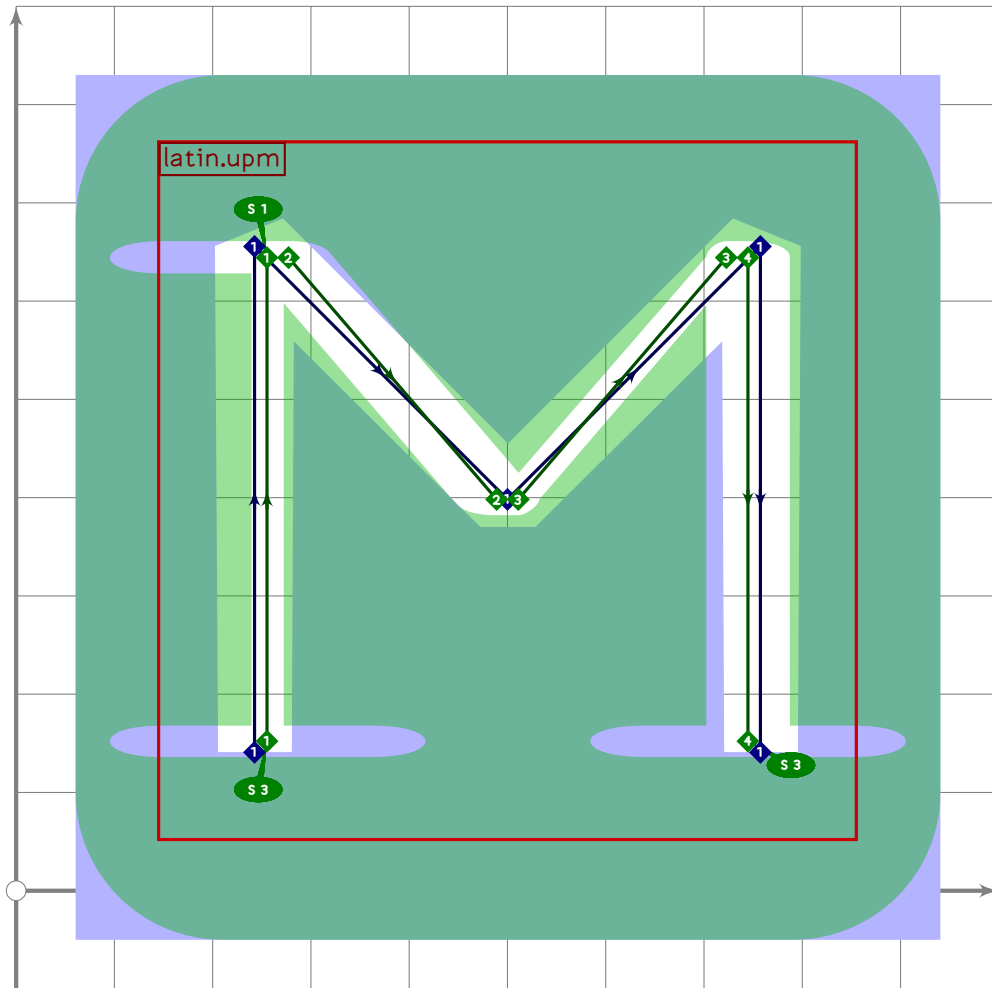
```

```

505 % L
506 % BACKGROUND F1712
507 begint Suglyph("u1F17B";123);
508   tsu_xform(tsu_xf.sletter)(tsu_curve.latin.upl);
509   i:=1; forever: exitif unknown bp[i]; bo_size[i]:=107; i:=i+1; endfor;
510   tsu_render;
511   endtsuglyph;
512

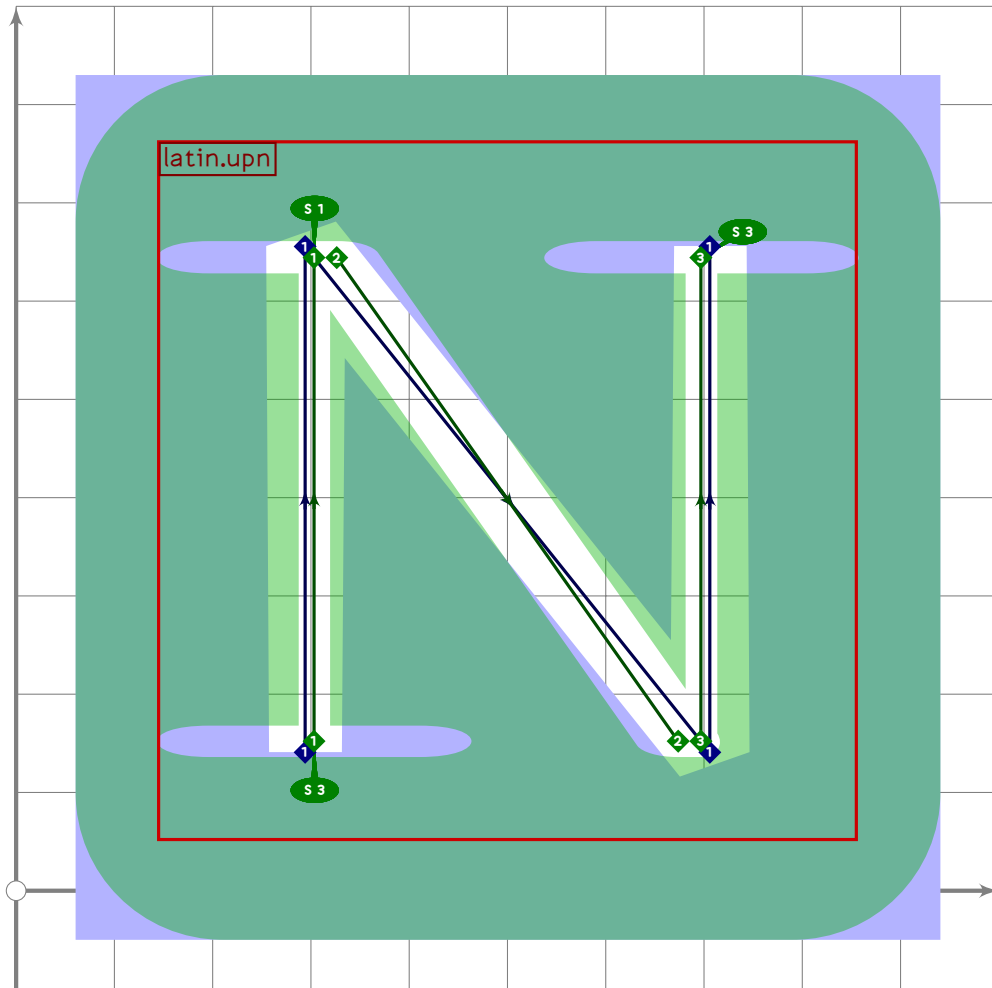
```



```

513 % M
514 % BACKGROUND F1712
515 begint Suglyph("u1F17C";124);
516 if do_alteration:
517     tsu_xform(tsu_xf.sletter
518         shifted -centre_pt xscaled 0.95 shifted centre_pt)(tsu_curve.latin.upm);
519 else:
520     tsu_xform(tsu_xf.sletter)(tsu_curve.latin.upm);
521 fi;
522 i:=1; forever: exitif unknown bp[i]; bo_size[i]:=107; i:=i+1; endfor;
523 tsu_render;
524 endtsuglyph;
525

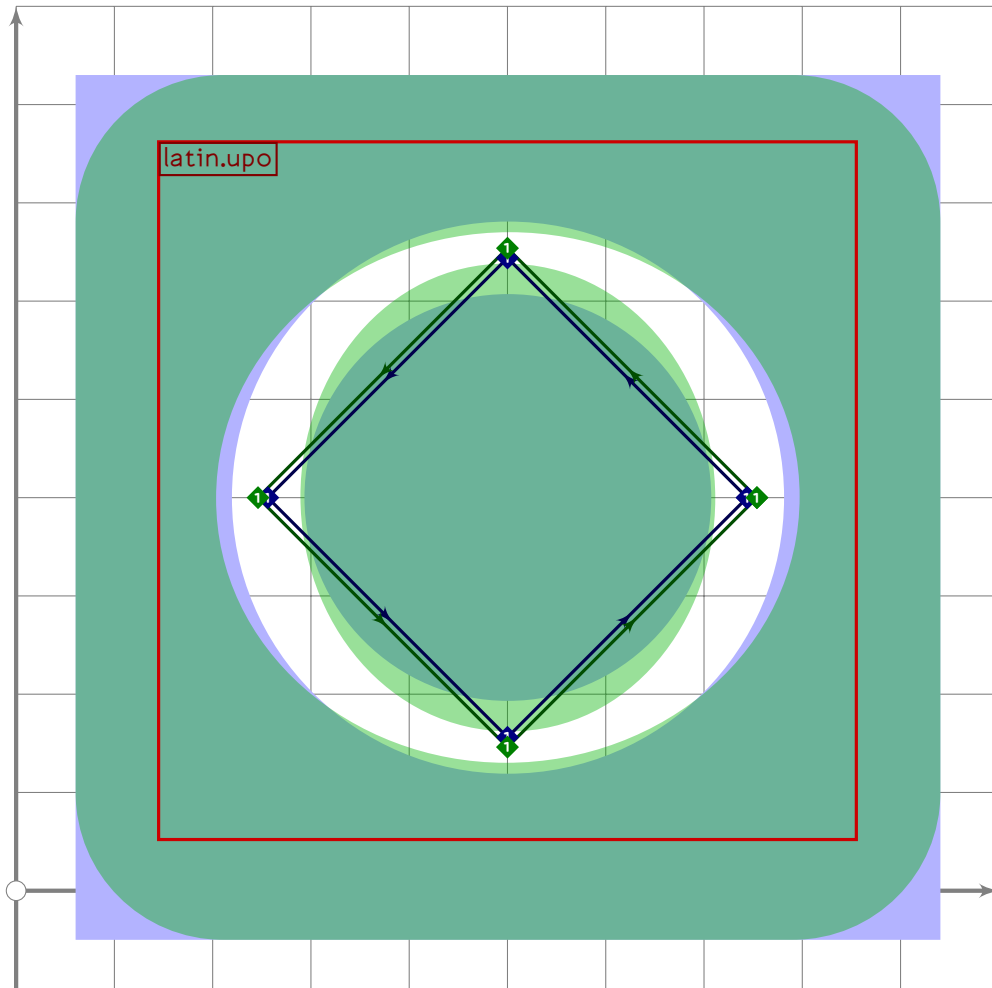
```



```

526 % N
527 % BACKGROUND F1712
528 beginsuglyph("u1F17D",125);
529 tsu_xform(tsu_xf.sletter)(tsu_curve.latin.upn);
530 i:=1; forever: exitif unknown bp[i]; bo_size[i]:=107; i:=i+1; endfor;
531 tsu_render;
532 endsuglyph;
533

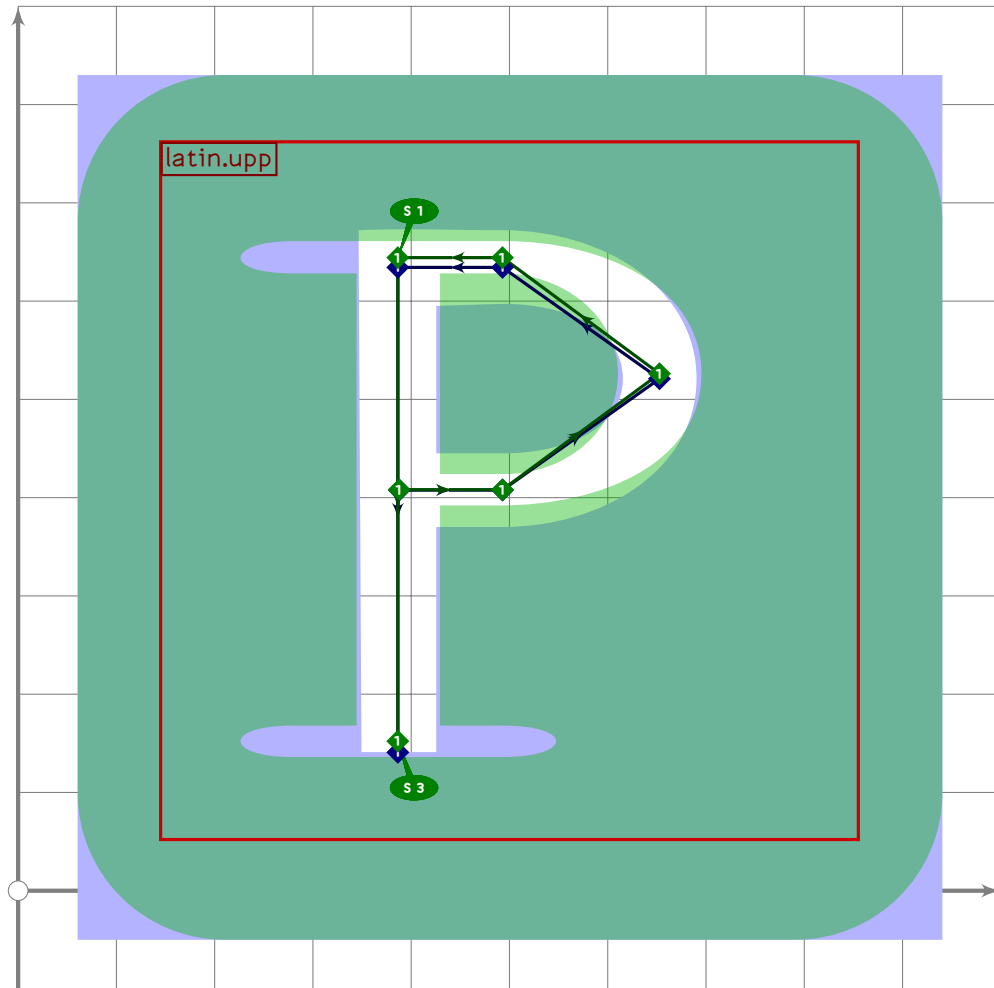
```



```

534 % O
535 % BACKGROUND F1712
536 begintsuglyph("u1F17E";126);
537   tsu_xform(tsu_xf.sletter)(tsu_curve.latin.upo);
538   i:=1; forever: exitif unknown bp[i]; bo_size[i]:=107; i:=i+1; endfor;
539   tsu_render;
540 endsuglyph;
541

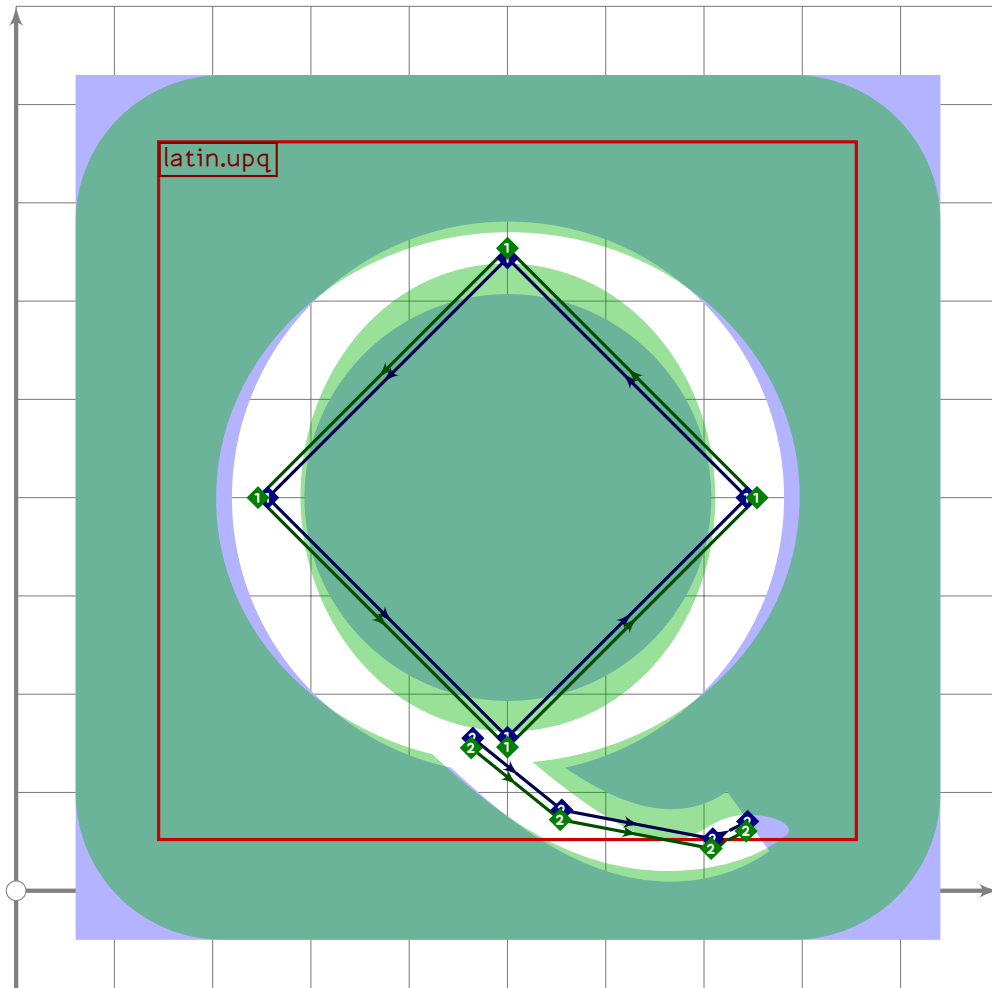
```



```

542 % P
543 % BACKGROUND F1712
544 begint Suglyph("u1F17F";127);
545   tsu_xform(tsu_xf.sletter)(tsu_curve.latin.upp);
546   i:=1; forever: exitif unknown bp[i]; bo_size[i]:=107; i:=i+1; endfor;
547   tsu_render;
548 endtsuglyph;
549

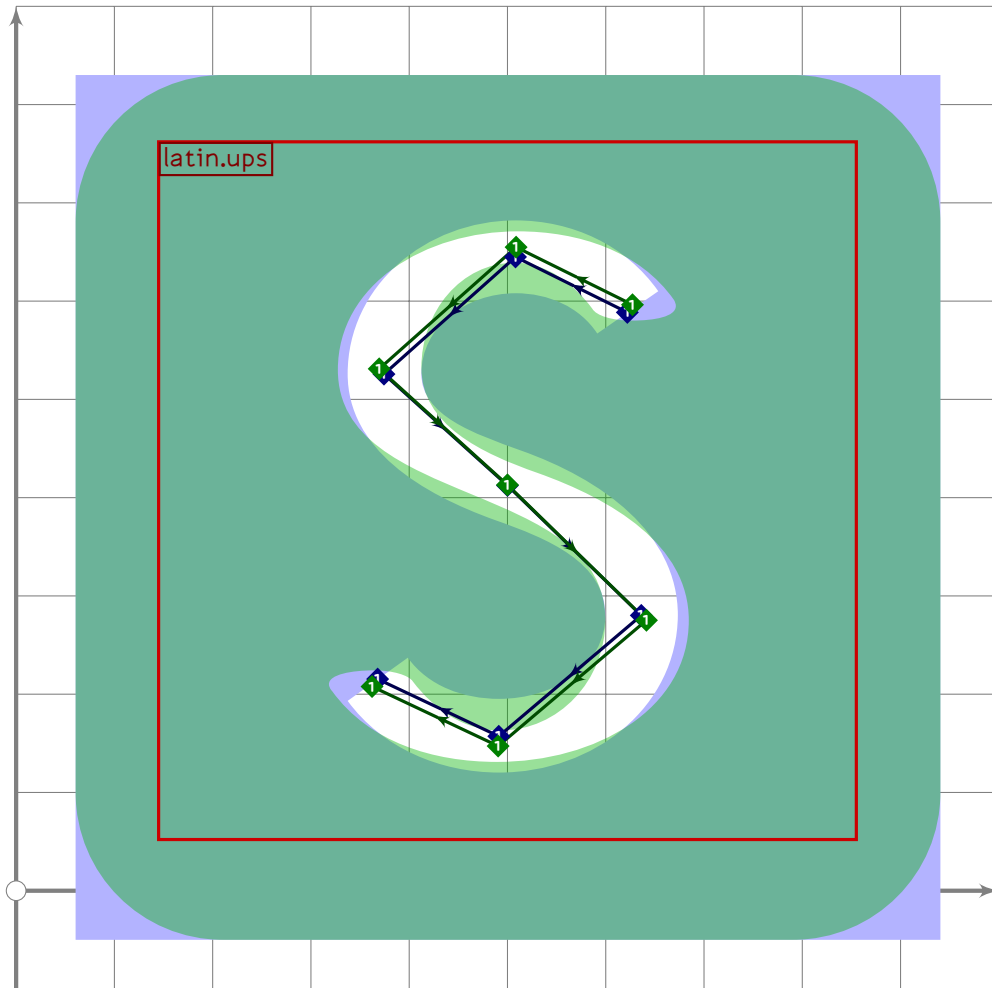
```



```

550 % Q
551 % BACKGROUND F1712
552 beginsuglyph("u1F180";128);
553 tsu_xform(tsu_xf.sletter)(tsu_curve.latin.upq);
554 i:=1; forever: exitif unknown bp[i]; bo_size[i]:=107; i:=i+1; endfor;
555 tsu_render;
556 endsuglyph;
557

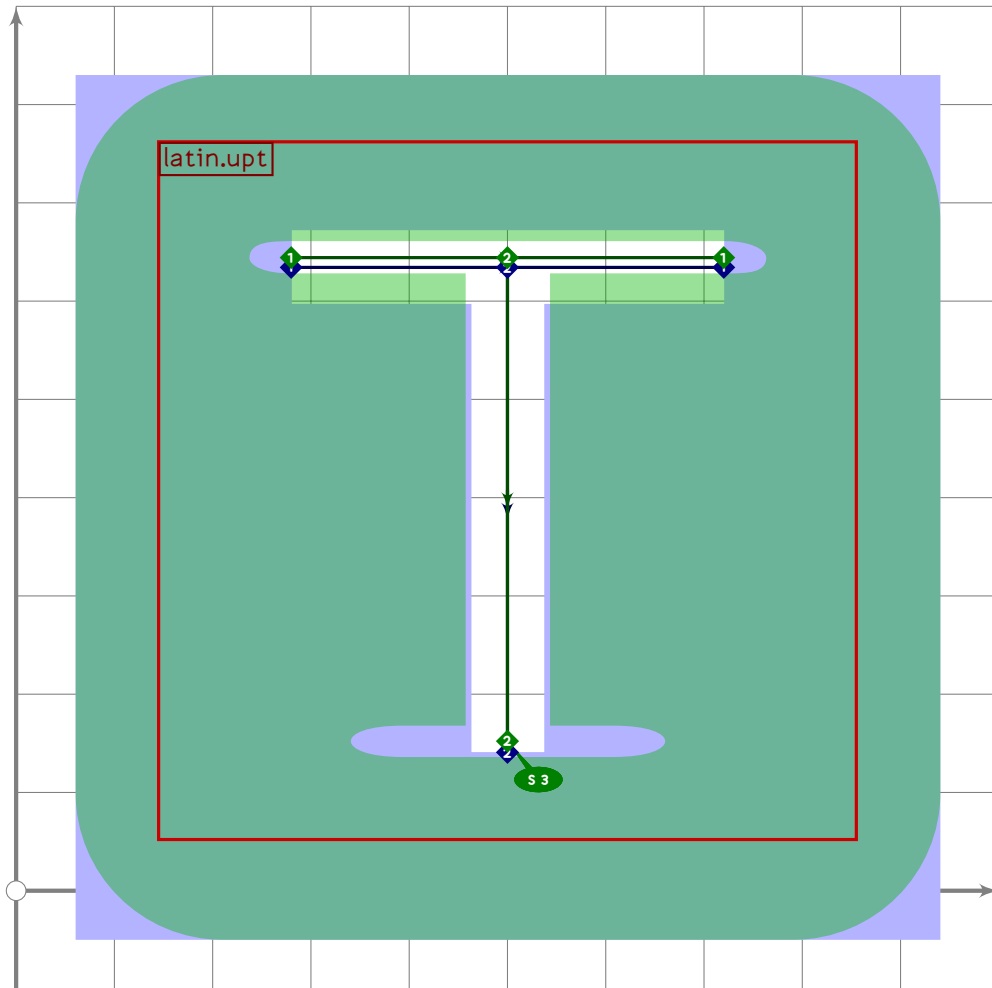
```

```

566 % S
567 % BACKGROUND F1712
568 begintsuglyph("u1F182";130);
569 tsu_xform(tsu_xf.sletter)(tsu_curve.latin.ups);
570 i:=1; forever: exitif unknown bp[i]; bo_size[i]:=107; i:=i+1; endfor;
571 tsu_render;
572 endtsuglyph;
573

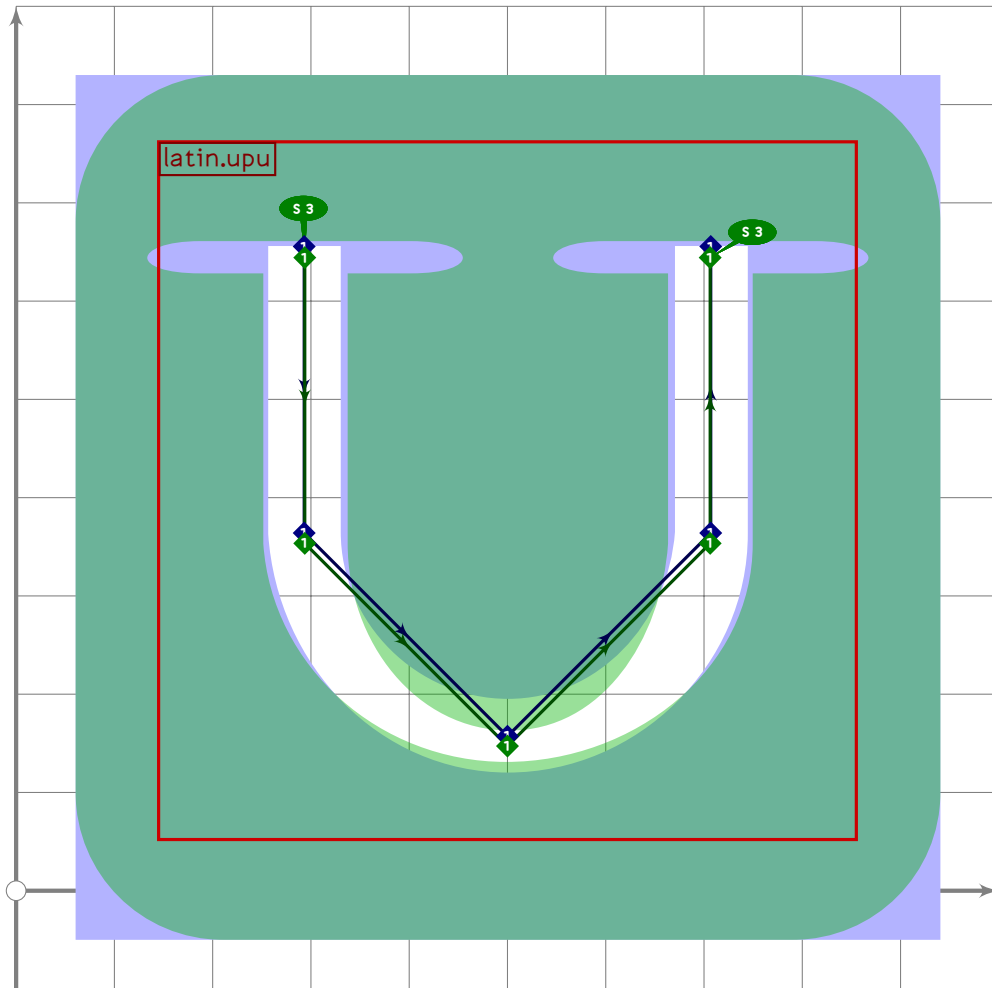
```

```

574 % T
575 % BACKGROUND F1712
576 begintsuglyph("u1F183";131);
577 tsu_xform(tsu_xf.sletter)(tsu_curve.latin.upt);
578 i:=1; forever: exitif unknown bp[i]; bo_size[i]:=107; i:=i+1; endfor;
579 tsu_render;
580 endsuglyph;
581

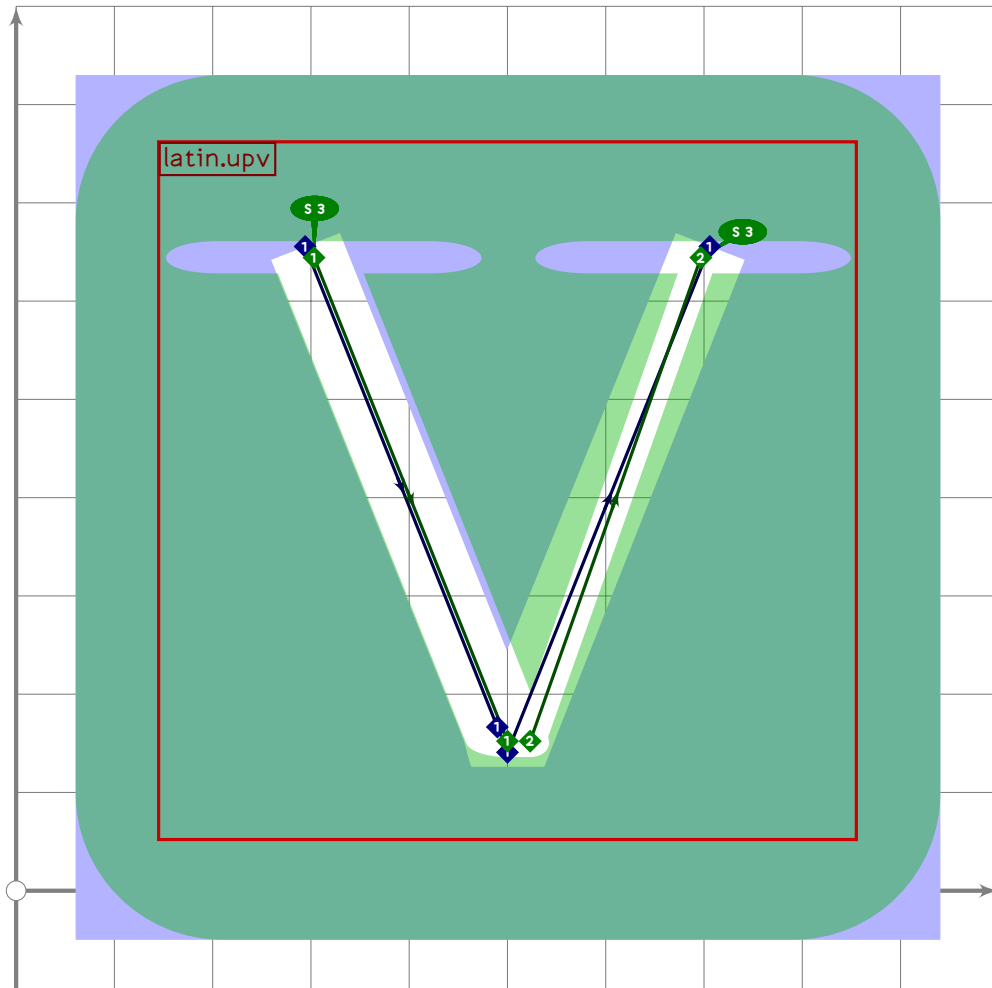
```



```

582 % U
583 % BACKGROUND F1712
584 begint Suglyph("u1F184";132);
585 tsu_xform(tsu_xf.sletter)(tsu_curve.latin.upu);
586 i:=1; forever: exitif unknown bp[i]; bo_size[i]:=107; i:=i+1; endfor;
587 tsu_render;
588 endtsuglyph;
589

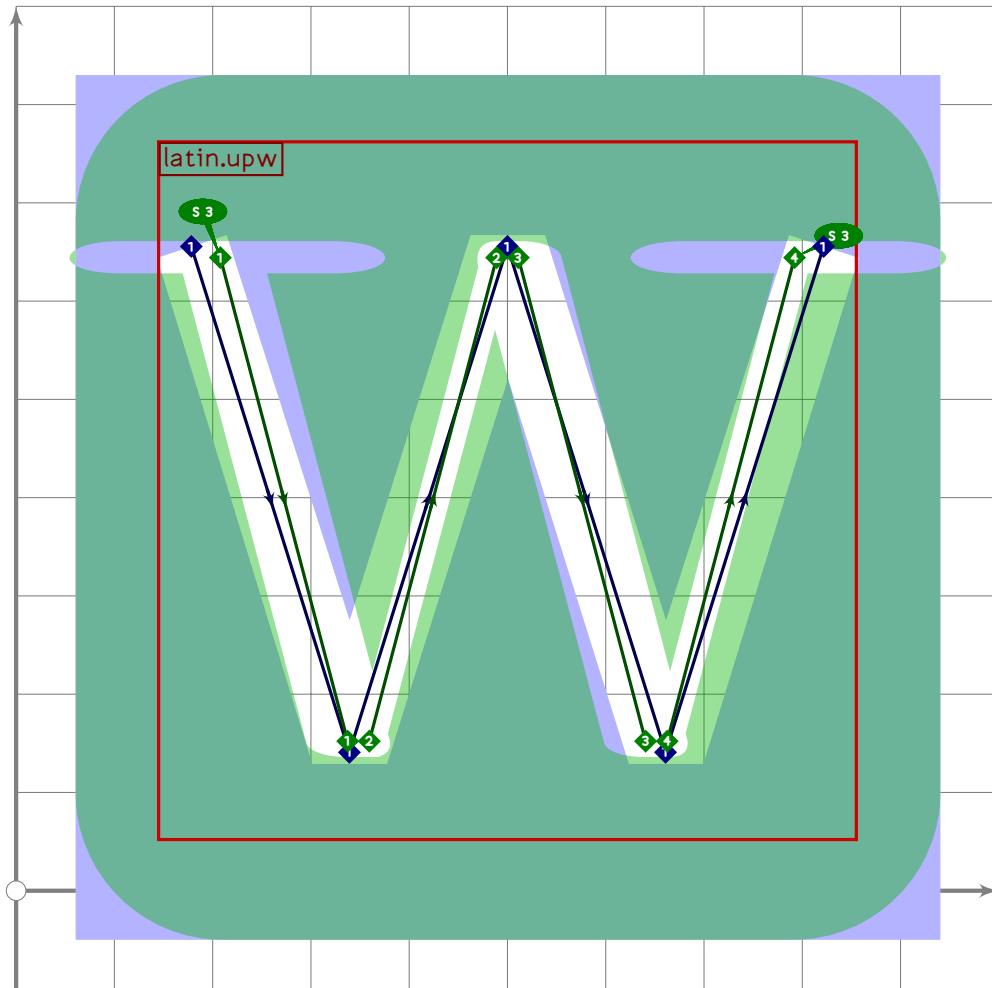
```



```

590 % V
591 % BACKGROUND F1712
592 beginsuglyph("u1F185";133);
593 tsu_xform(tsu_xf.sletter)(tsu_curve.latin.upv);
594 i:=1; forever: exitif unknown bp[i]; bo_size[i]:=107; i:=i+1; endfor;
595 tsu_render;
596 endsuglyph;
597

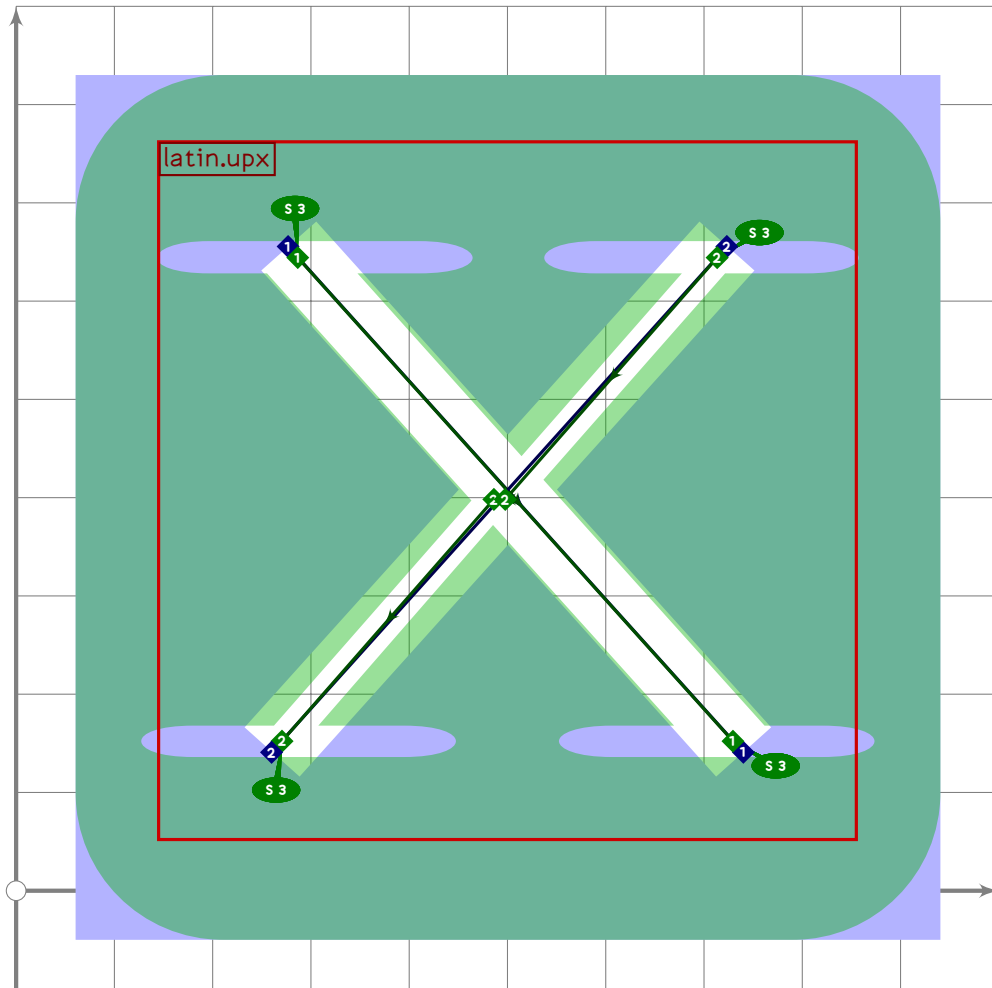
```



```

598 % W
599 % BACKGROUND F1712
600 begint Suglyph("u1F186";134);
601 if do_alteration:
602     tsu_xform(tsu_xf.sletter
603         shifted -centre_pt xscaled 0.95 shifted centre_pt)(tsu_curve.latin.upw);
604 else:
605     tsu_xform(tsu_xf.sletter)(tsu_curve.latin.upw);
606 fi;
607 i:=1; forever: exitif unknown bp[i]; bo_size[i]:=107; i:=i+1; endfor;
608 tsu_render;
609 endtsuglyph;
610

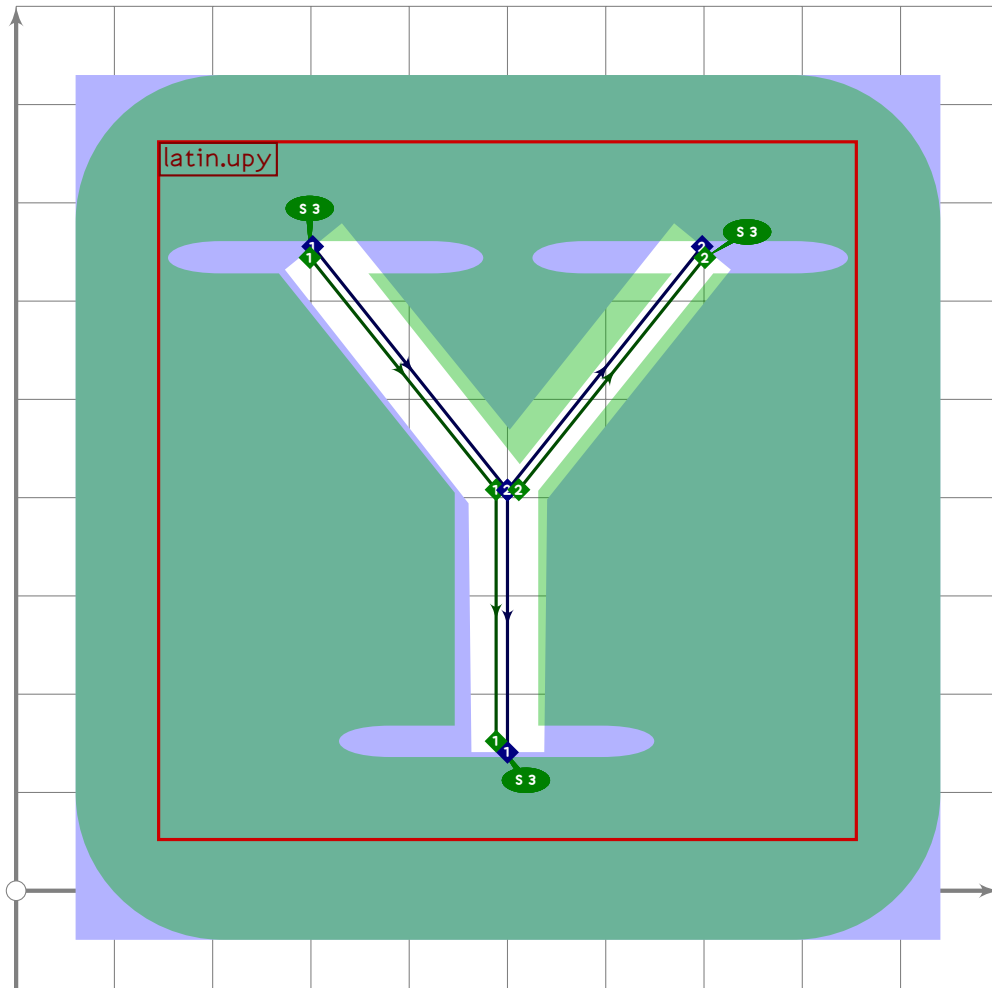
```



```

611 % X
612 % BACKGROUND F1712
613 begintsuglyph("u1F187";135);
614   tsu_xform(tsu_xf.sletter)(tsu_curve.latin.upx);
615   i:=1; forever: exitif unknown bp[i]; bo_size[i]:=107; i:=i+1; endfor;
616   tsu_render;
617 endsuglyph;
618

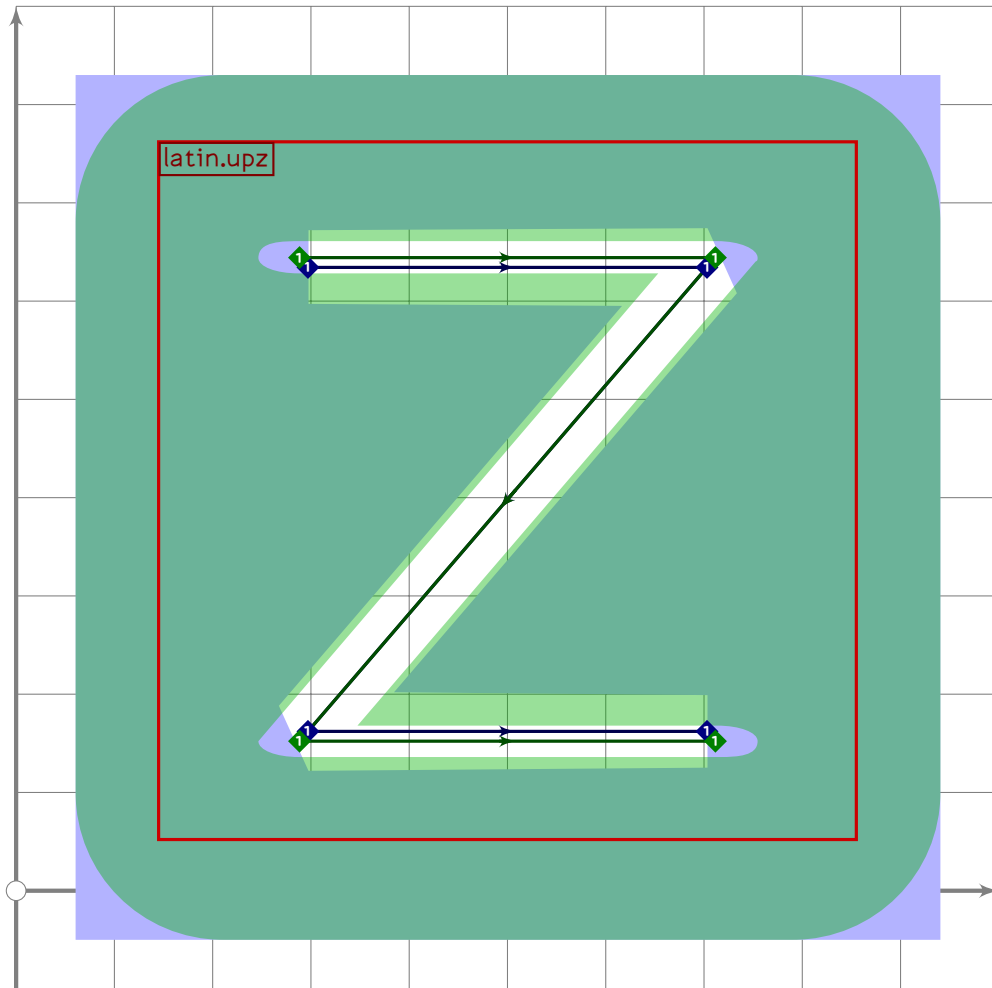
```



```

619 % Y
620 % BACKGROUND F1712
621 begint Suglyph("u1F188";136);
622   tsu_xform(tsu_xf.sletter)(tsu_curve.latin.upy);
623   i:=1; forever: exitif unknown bp[i]; bo_size[i]:=107; i:=i+1; endfor;
624   tsu_render;
625 endtsuglyph;
626

```



```

627 % Z
628 % BACKGROUND F1712
629 begintsuglyph("u1F189";137);
630 tsu_xform(tsu_xf.sletter)(tsu_curve.latin.upz);
631 i:=1; forever: exitif unknown bp[i]; bo_size[i]:=107; i:=i+1; endfor;
632 tsu_render;
633 endtsuglyph;
634
635 _____
636
637 endfont;
638
639 _____

```

tsuku-f17.mp

```
1 %
2 % Unicode page F17 (Tsukurimashou-specific extensions) for Tsukurimashou
3 % Copyright (C) 2011 Matthew Skala
4 %
5-29 [Standard copyright notice]
30
31 

---


32
33 beginfont
34
35 input latin-intro.mp;
36
37 % AUTODEPS
38 input accent.mp;
39 input enclosed.mp;
40 input iching.mp;
41 input katakana.mp;
42 input latin.mp;
43
44 

---


45
```

Combining Dots For I Ching

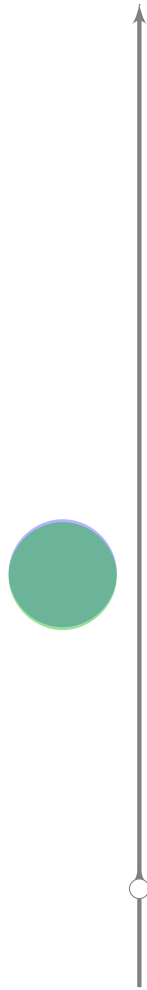
```
46 % COMBINING DOTS FOR I CHING
47
48 % WARNING changing rescale setting
49 tsu_rescale_native_zero;
```



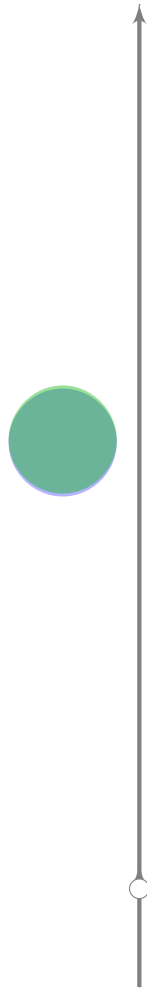

```
50  
51 begintsuglyph("ichingdot1.6";1);  
52 Fill tsu_curve.iching.dot(1,6) shifted (-1000,0);  
53 endsuglyph;
```



```
54  
55 begintsuglyph("ichingdot2.6";2);  
56 Fill tsu_curve.iching.dot(2,6) shifted (-1000,0);  
57 endsuglyph;
```



```
58  
59 begintsuglyph("ichingdot3.6",3);  
60 Fill tsu_curve.iching.dot(3,6) shifted (-1000,0);  
61 endsuglyph;
```



```
62  
63 begintsuglyph("ichingdot4.6";4);  
64 Fill tsu_curve.iching.dot(4,6) shifted (-1000,0);  
65 endsuglyph;
```



```
66  
67 begintsuglyph("ichingdot5.6",5);  
68 Fill tsu_curve.iching.dot(5,6) shifted (-1000,0);  
69 endsuglyph;
```



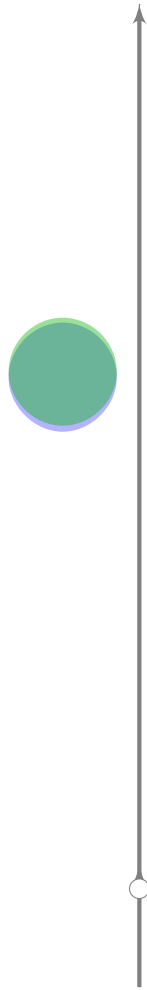
```
70  
71 begintsuglyph("ichingdot6.6",6);  
72 Fill tsu_curve.iching.dot(6,6) shifted (-1000,0);  
73 endsuglyph;
```



```
74  
75 begintsuglyph("ichingdot1.3";7);  
76 Fill tsu_curve.iching.dot(1,3) shifted (-1000,0);  
77 endsuglyph;
```



```
78  
79 begintsuglyph("ichingdot2.3";8);  
80 Fill tsu_curve.iching.dot(2,3) shifted (-1000,0);  
81 endsuglyph;
```

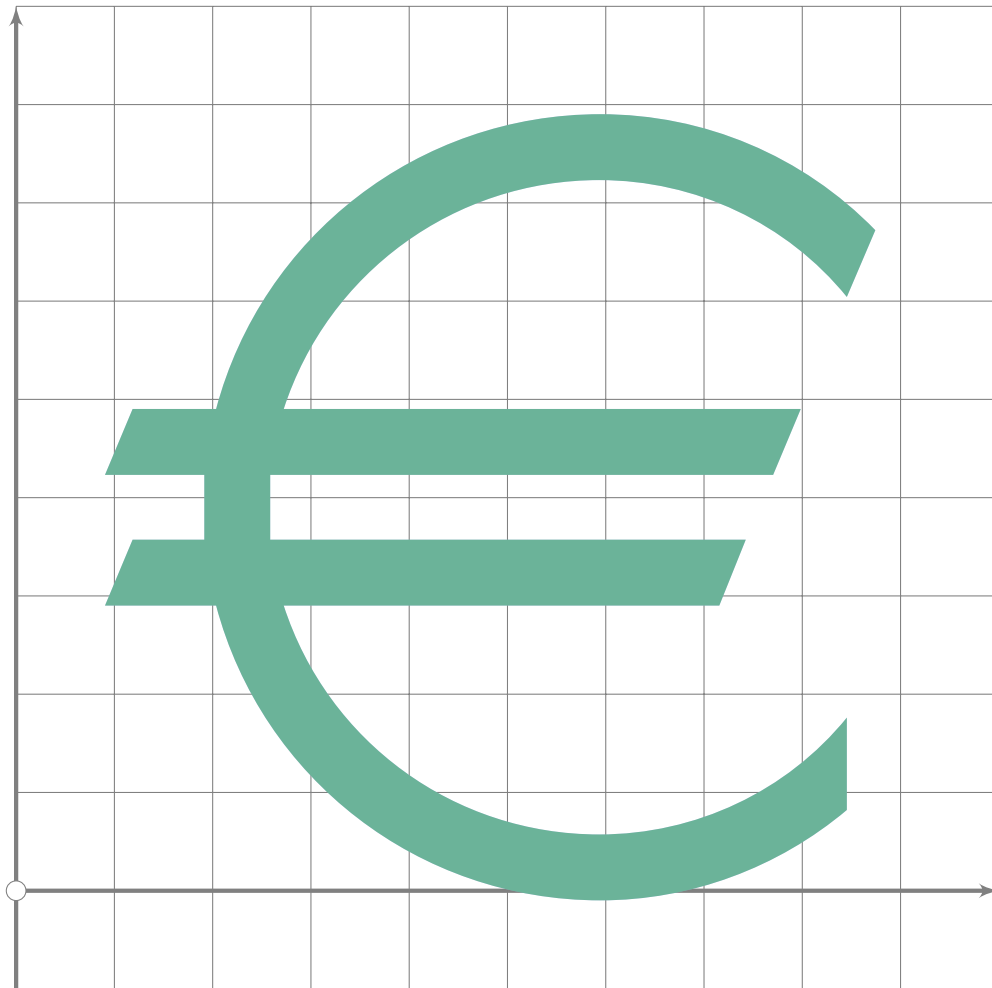
```
82
83 begintsuglyph("ichingdot3.3";9);
84 Fill tsu_curve.iching.dot(3,3) shifted (-1000,0);
85 endsuglyph;
86
87 % WARNING changing rescale setting
88 tsu_rescale_full;
89
90 

---


91
```

Miscellaneous

```
92 % MISCELLANEOUS
```



```

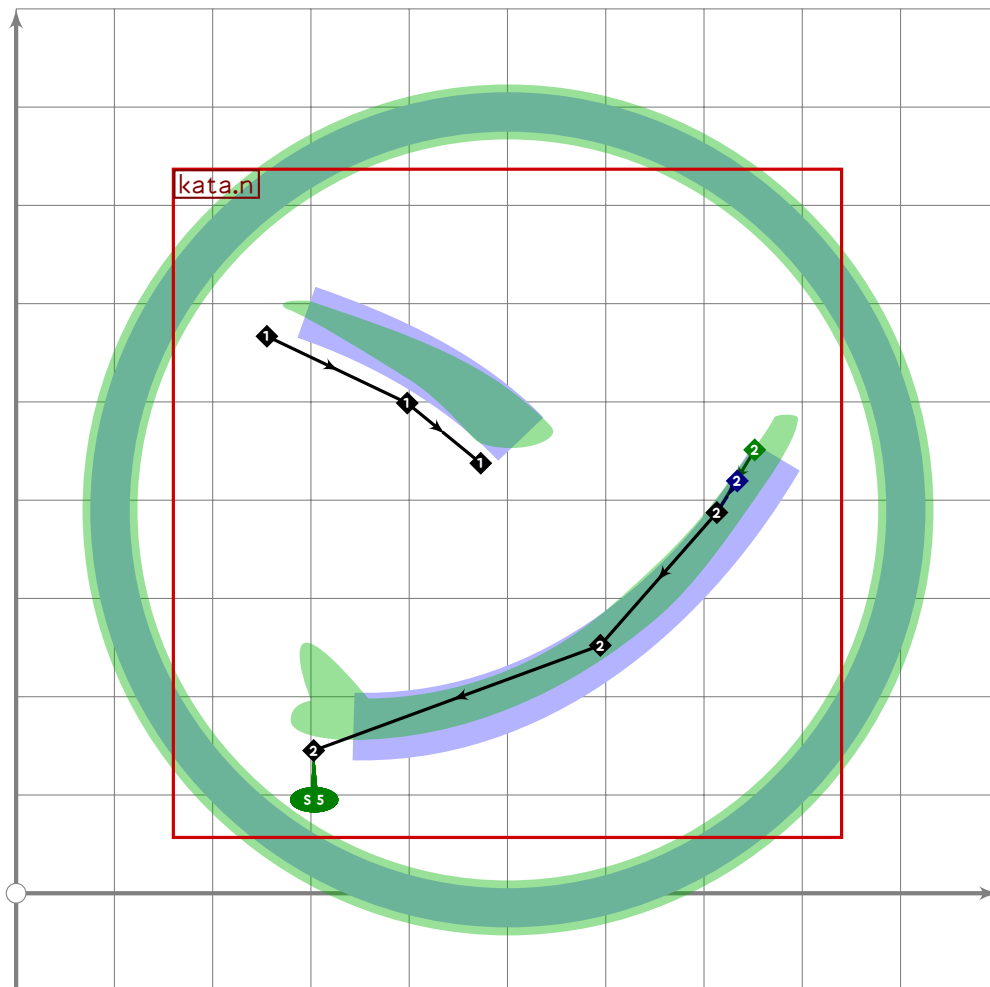
93
94 begintsuglyph("Euro.official";16);
95 z25=(fullcircle scaled 10) intersectionpoint ((0,0)-(10*dir 40));
96 z11=(0,-6);
97
98 z1=(0,6);
99 z2=(fullcircle scaled 12) intersectionpoint ((-10,1.5)-(0,1.5));
100 y3=y2;
101 z3-z4=whatever*(z25-z11);
102 z4=(-7.5,0.5);
103 z5=(fullcircle scaled 12) intersectionpoint ((-10,0.5)-(0,0.5));
104 z6=(-6,0);
105 z7=(fullcircle scaled 12) intersectionpoint ((-10,-0.5)-(0,-0.5));
106 y8=y7;
107 z8-z9=whatever*(z25-z11);
108 z9=(-7.5,-1.5);
109 z10=(fullcircle scaled 12) intersectionpoint ((-10,1.5)-(0,1.5));
110 z13=(fullcircle scaled 10) intersectionpoint ((0,0)-(10*dir 320));
111 z12=(fullcircle scaled 12) intersectionpoint (z13-(z13*(0,-3)));
112 z14=(0,5);
113 z15=(fullcircle scaled 10) intersectionpoint ((-10,1.5)-(0,1.5));

```

```

114 y16=-1.5;
115 z16=whatever[z11,z25];
116 y17=-0.5;
117 z17=whatever[z11,z25];
118 z18=(fullcircle scaled 10) intersectionpoint ((-10,-0.5)-(0,-0.5));
119 z19=(-5,0);
120 z20=(fullcircle scaled 10) intersectionpoint ((-10,0.5)-(0,0.5));
121 y21=0.5;
122 z21=whatever[z11,z25];
123 y22=1.5;
124 z22=whatever[z11,z25];
125 z23=(fullcircle scaled 10) intersectionpoint ((-10,1.5)-(0,1.5));
126 z24=(0,5);
127 z26=(fullcircle scaled 12) intersectionpoint (z11-1.5[z11,z25]);
128 path euro;
129 euro:=z1..z2-z3-z4-z5..z6..z7-z8-z9-z10..z11..z12-z13..
130 z14..z15-z16-z17-z18..z19..z20-z21-z22-z23..z24..z25-z26..cycle;
131 dangerousFill euro scaled (400/6) shifted (centre_pt*90*right);
132 endtsuglyph;
133

```

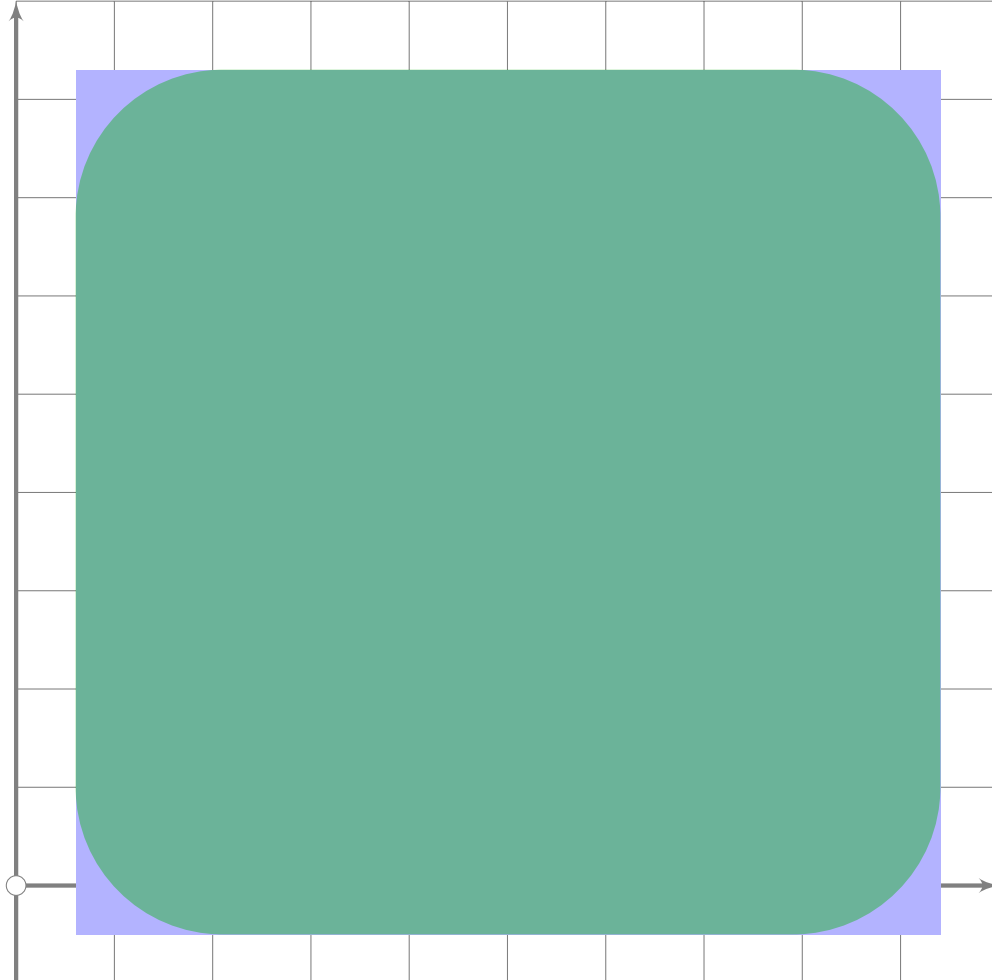


134 % circled "katakana n"

```

135 begint Suglyph("uF1711";17);
136 tsu_curve.circle.single;
137 tsu_xform(tsu_xf.circled)(tsu_curve.kata.n);
138 tsu_render_in_circle(tsu_xf.cbound);
139 endtsuglyph;
140

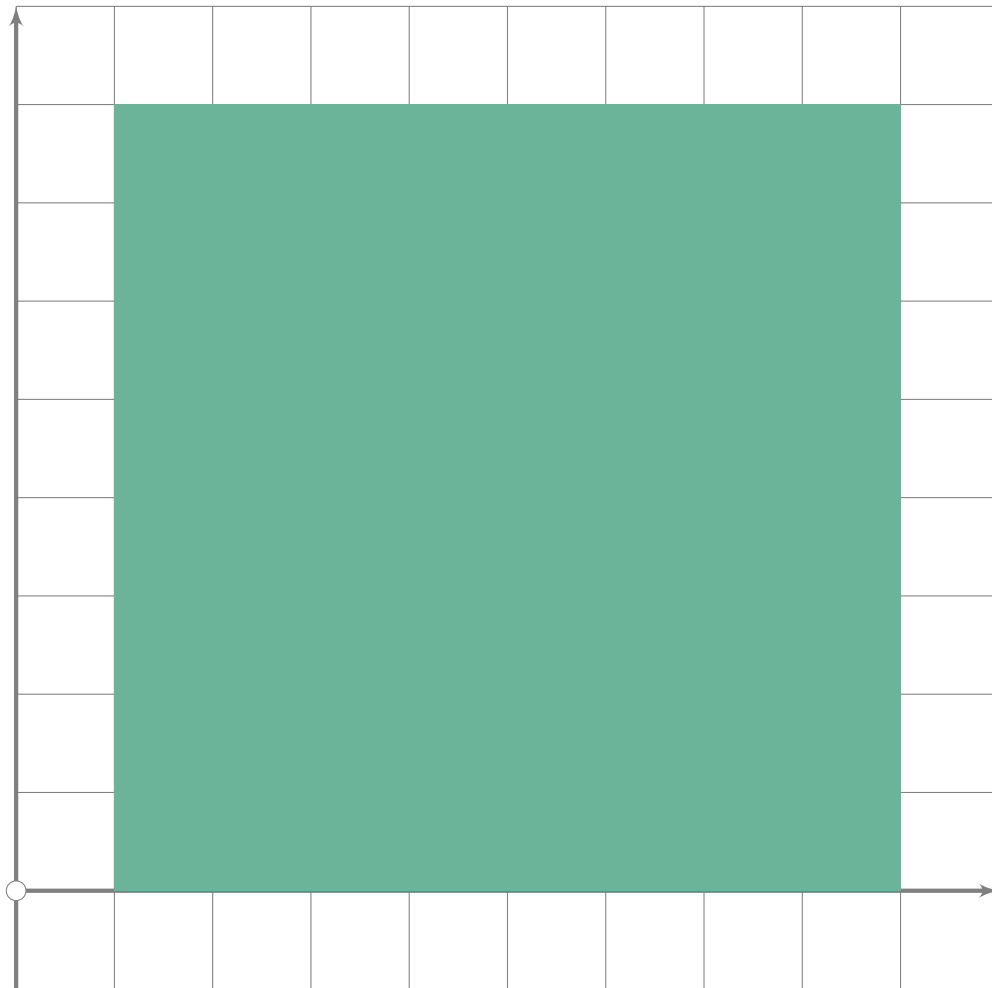
```



```

141 % background for use with enclosed alpha
142 begint Suglyph("squarebackground";18);
143 if sharp_corners:
144     dangerousFill (60,830)-(60,50)-(940,50)-(940,830)-cycle;
145 else:
146     path crnp;
147     crnp:=(60*1.5*tsu_punct_size,830){left}..
148         {down}(60,830-1.5*tsu_punct_size);
149     dangerousFill crnp-
150         (crnp rotatedaround (centre_pt,90))-
151         (crnp rotatedaround (centre_pt,180))-
152         (crnp rotatedaround (centre_pt,270))-cycle;
153 fi;
154 endtsuglyph;
155

```



```

156 % test glyph for getting proof scaling right
157 begint Suglyph("scalingtest",19);
158   dangerousFill (100,800)-(100,0)-(900,0)-(900,800)-cycle;
159   endtsuglyph;
160
161 _____
162

```

Tomoe Ornaments

```

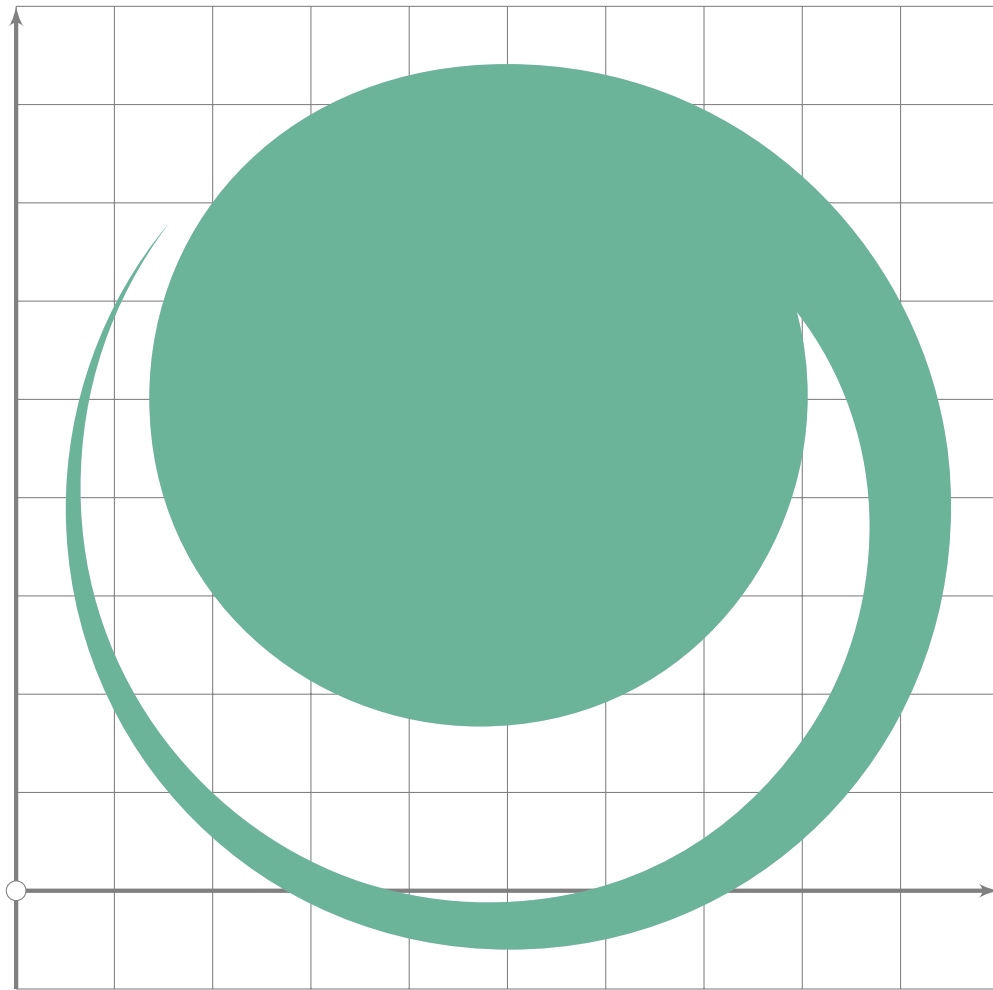
163 % TOMOE ORNAMENTS
164
165 vardef spiral_interpolate(expr start_cart,end_cart,ckpts,loops) =
166   begingroup
167     pair start_pol,end_pol,inter_pol;
168
169     start_pol:=(abs(start_cart),angle(start_cart));
170     end_pol:=(abs(end_cart),angle(end_cart));
171     if (ypart start_pol)-(ypart end_pol)>180:
172       start_pol:=start_pol*(0,360);
173     fi;
174     if (ypart end_pol)-(ypart start_pol)>180:

```

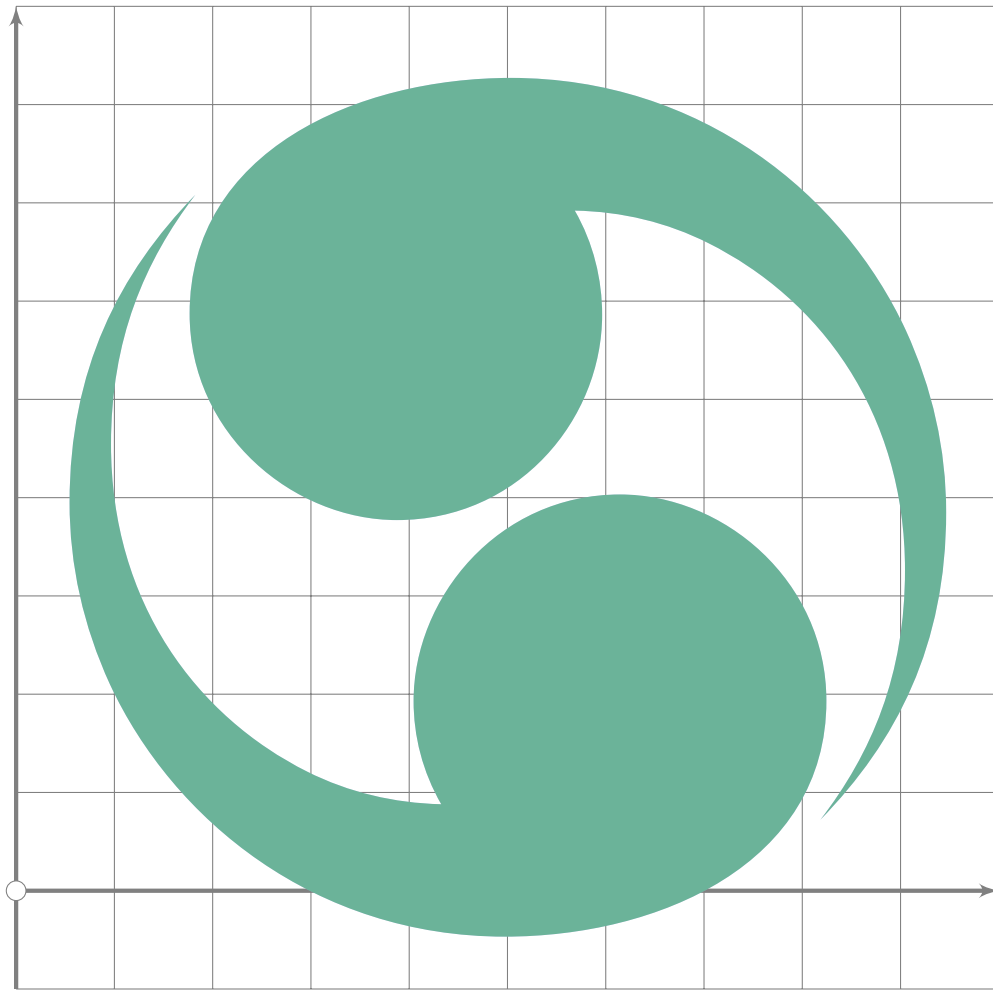
```

175     end_pol:=end_pol*(0;360);
176     fi;
177     end_pol:=end_pol*(0,360*loops);
178     for i=1 upto ckpts:
179         begingroup
180             inter_pol:=(i/(ckpts*1))[start_pol,end_pol];
181             ((dir ypart inter_pol)*xpart inter_pol)
182         endgroup
183         if i<ckpts: .. fi
184     endfor
185 endgroup
186 enddef;
187
188 vardef make_tomoe(expr k,ir,or,hr,phase,
189     tail_start,tail_advance,ckpts,do_flip) =
190     begingroup
191         path tomoe;
192         pair tail_tip;
193
194         loops:=if k=1: 1 else: 0 fi;
195         tail_tip:=(dir (tail_advance-360/k))*or;
196         tomoe:=(subpath (tail_start/90,3) of (right..up..left..down..cycle))
197             scaled hr shifted (ir*hr,0);
198         tomoe:=tomoe{curl 1}..
199             spiral_interpolate(point infinity of tomoe,tail_tip,ckpts;loops)..
200             {curl 1}tail_tip{curl 1}..
201             spiral_interpolate(tail_tip,point 0 of tomoe,ckpts,loops)..cycle;
202
203         if do_flip: tomoe:=tomoe xscaled -1; fi;
204
205         for i=1 upto k:
206             dangerousFill tomoe rotated (phase*i*360/k) shifted centre_pt;
207         endfor;
208     endgroup;
209 enddef;
210

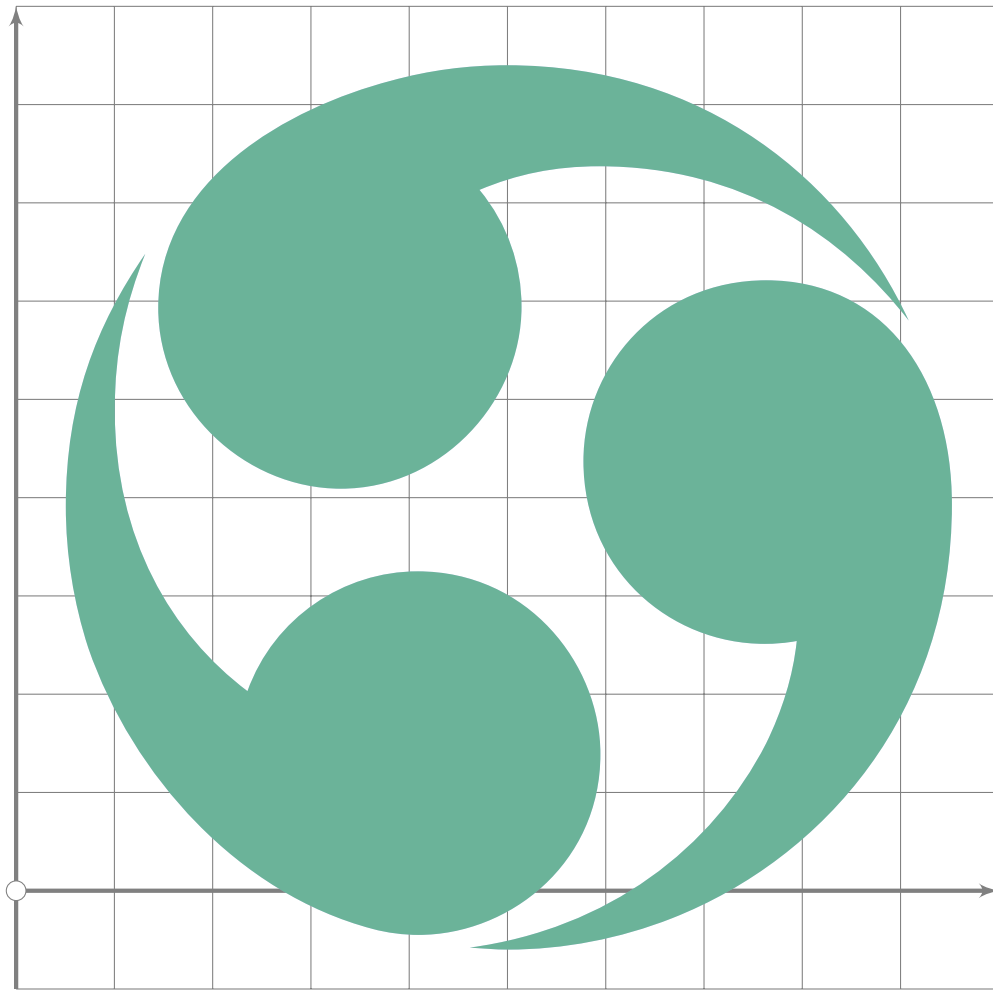
```



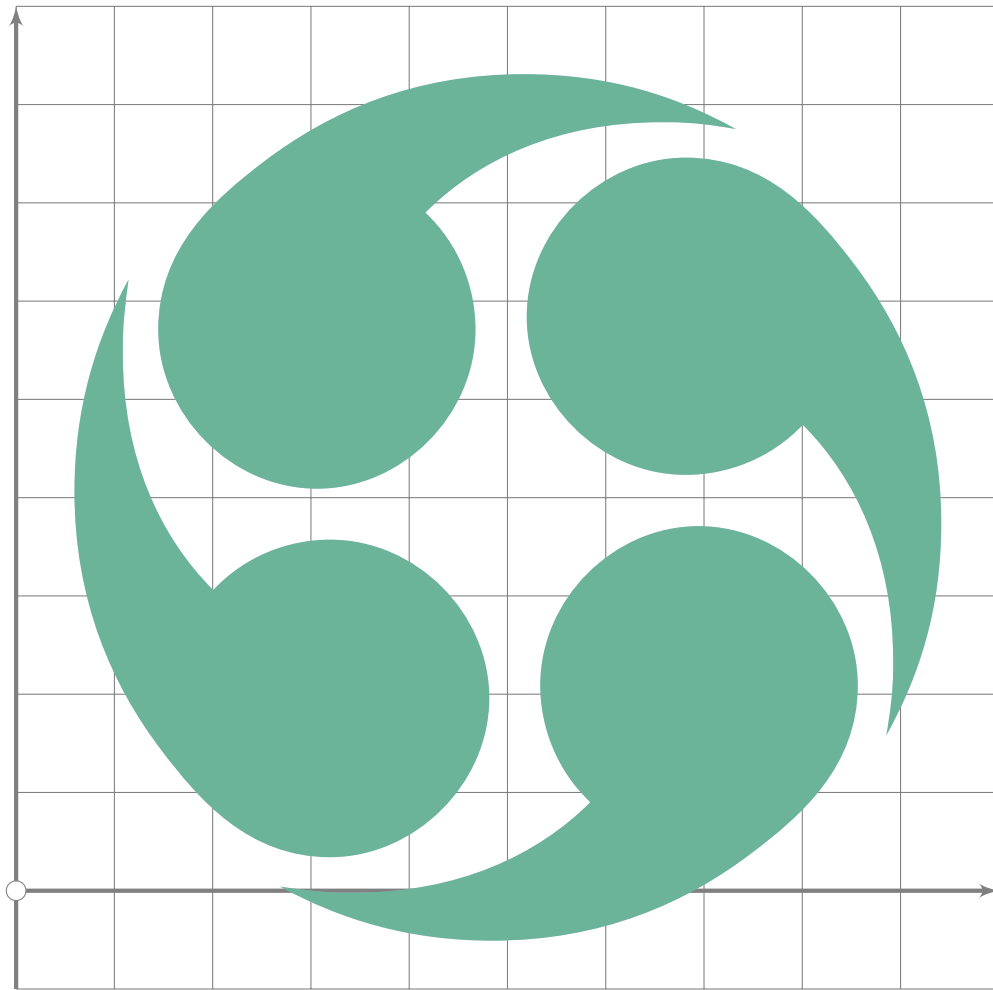
```
211 % hitotsudomoe ornament
212 begintsuglyph("tomoe1",49);
213 make_tomoe(1,-219,450,335,105,0,35,6,false);
214 endsuglyph;
215
```



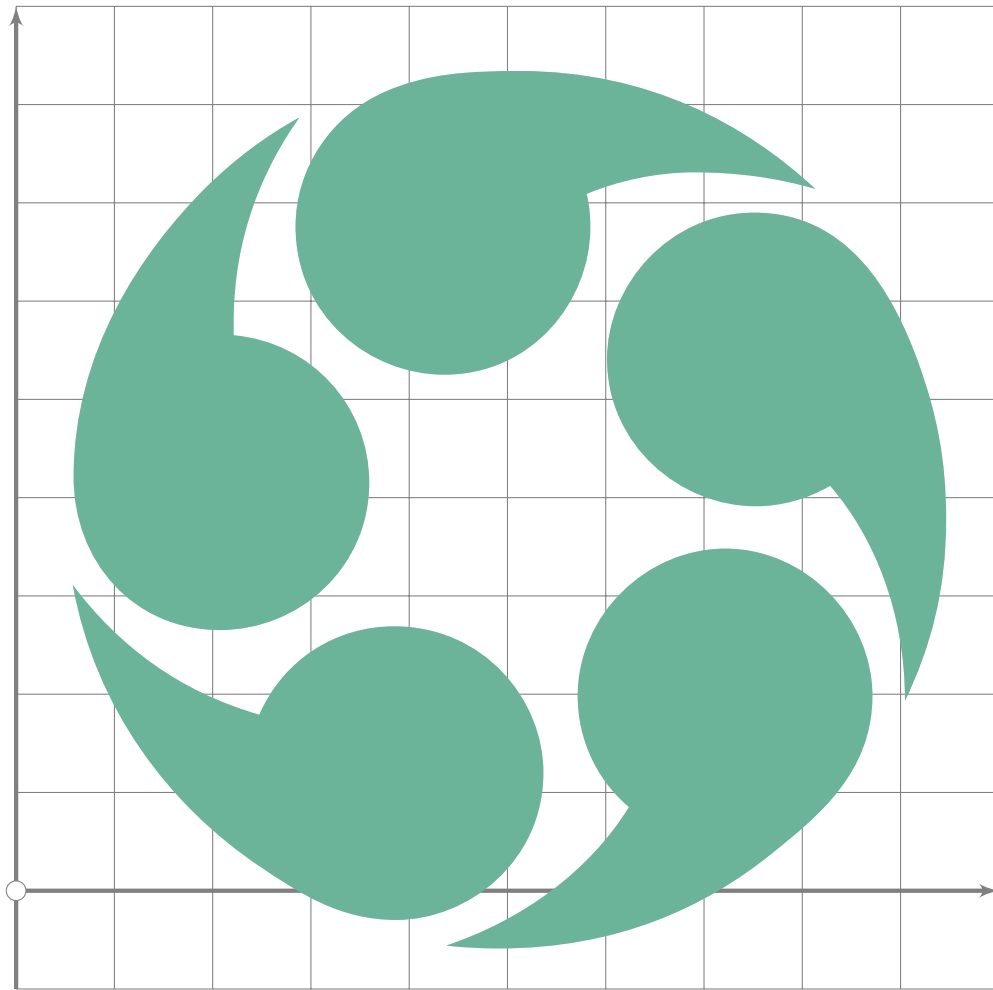
```
216 % futatsudomoe ornament
217 begintsuglyph("tomoe2",50);
218 make_tomoe(2,17,450,210,120,15,15,4,false);
219 endsuglyph;
220
```

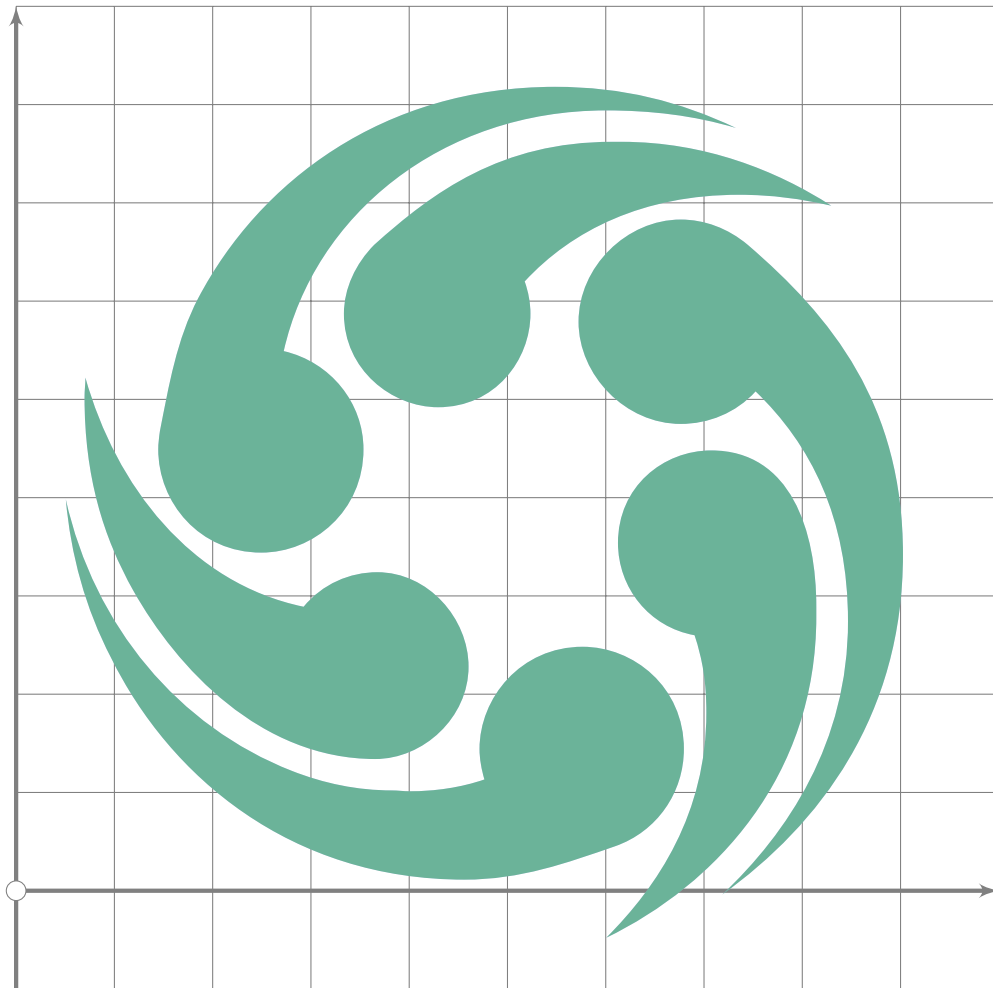
```
221 % mitsudomoe ornament
222 begintsuglyph("tomoe3",51);
223 make_tomoe(3,81,450,185,130,5,15,3,false);
224 endsuglyph;
225
```



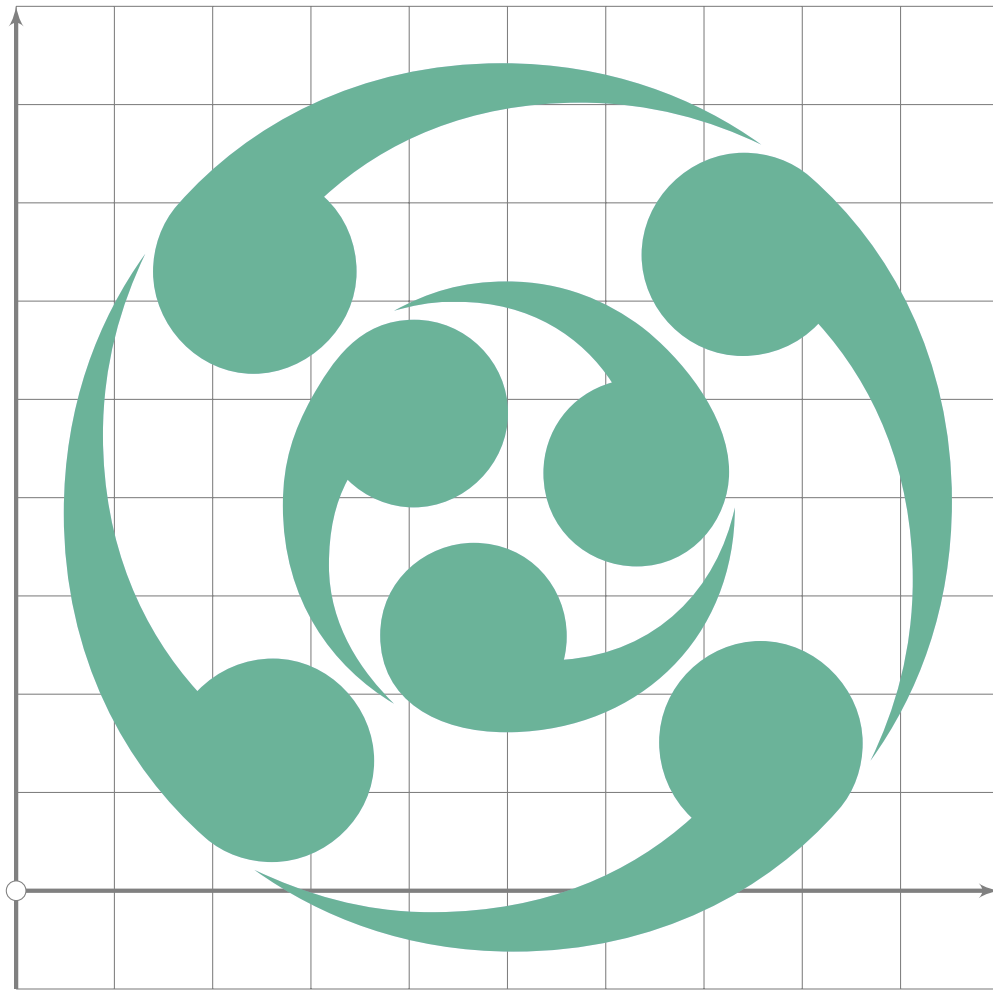
```
226 % yotsudomoe ornament
227 begintsuglyph("tomoe4",52);
228 make_tomoe(4,104,450,162,47,12,12,4,false);
229 endsuglyph;
230
```



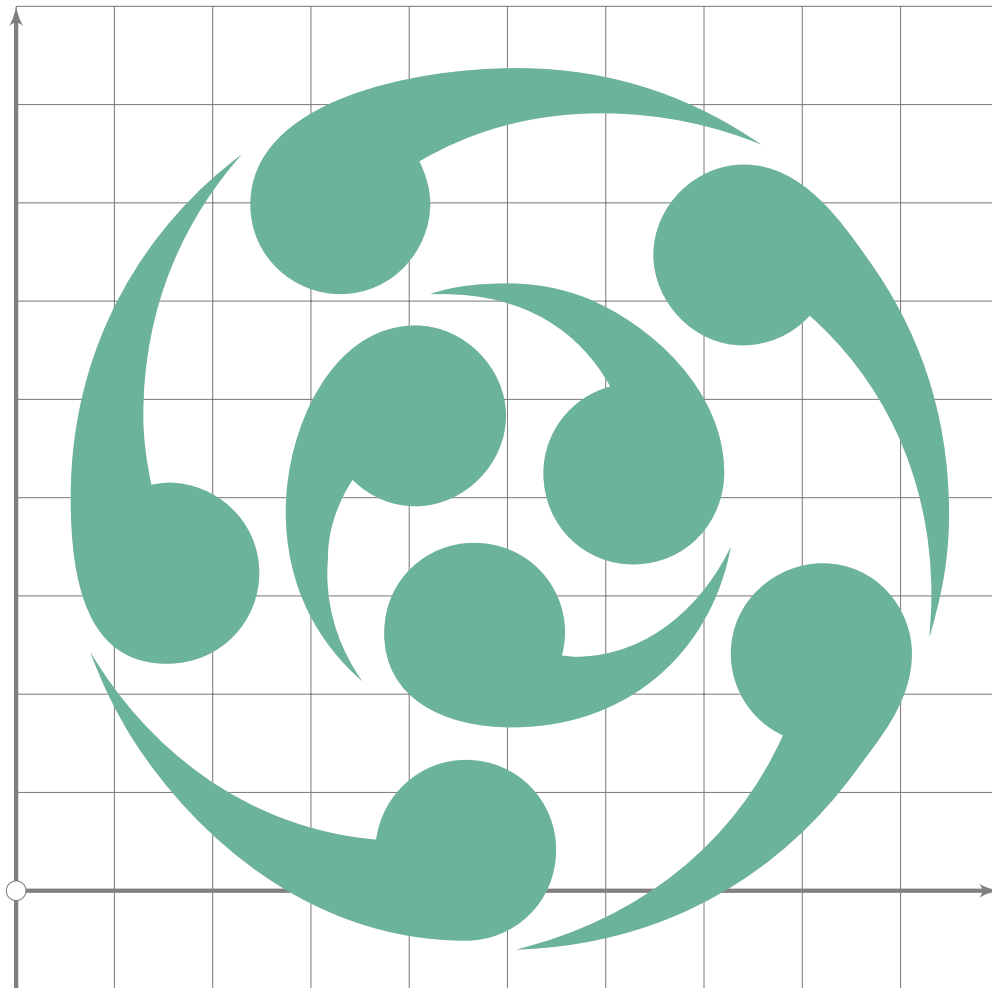
```
231 % 5-tsudomoe ornament
232 begintsuglyph("tomoe5",53);
233 make_tomoe(5,143,450,150,31,10,15,3,false);
234 endsuglyph;
235
```



```
236 % 6-tsudomoe ornament
237 begintsuglyph("tomoe6",54);
238 make_tomoe(3,154,450,104,47,2,12,4,false);
239 make_tomoe(3,115,450,95,110,22,53,4,false);
240 endsuglyph;
241
```



```
242 % 7-tsudomoe ornament
243 begintsuglyph("tomoe7";55);
244 make_tomoe(4,248,450,104,47,2,8,4,false);
245 make_tomoe(3,40,231,95,75,15,15,4,true);
246 endsuglyph;
247
```



```
248 % 8-tsudomoe ornament
249 begintsuglyph("tomoe8",56);
250 make_tomoe(5,260,450,92,47,2,8,4,false);
251 make_tomoe(3,40,231,92,75,15,25,4,true);
252 endsuglyph;
253
254 

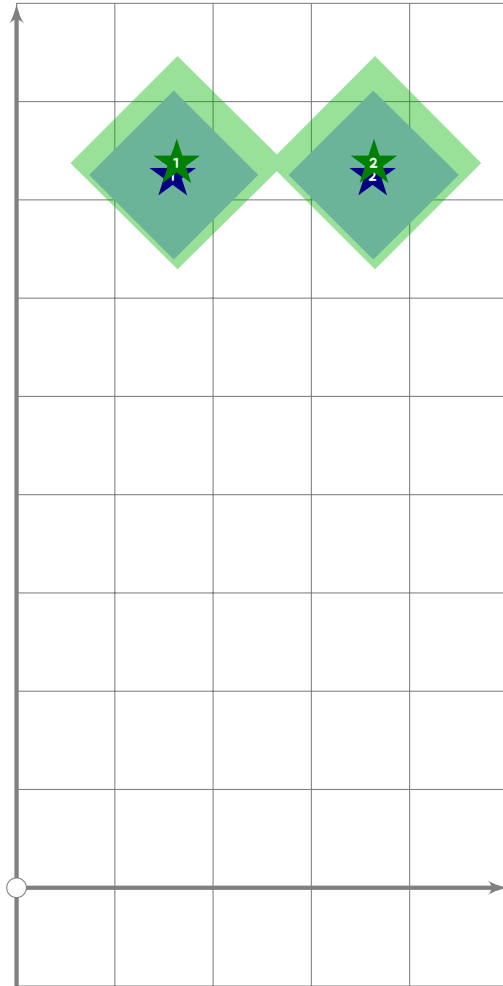
---


255
```

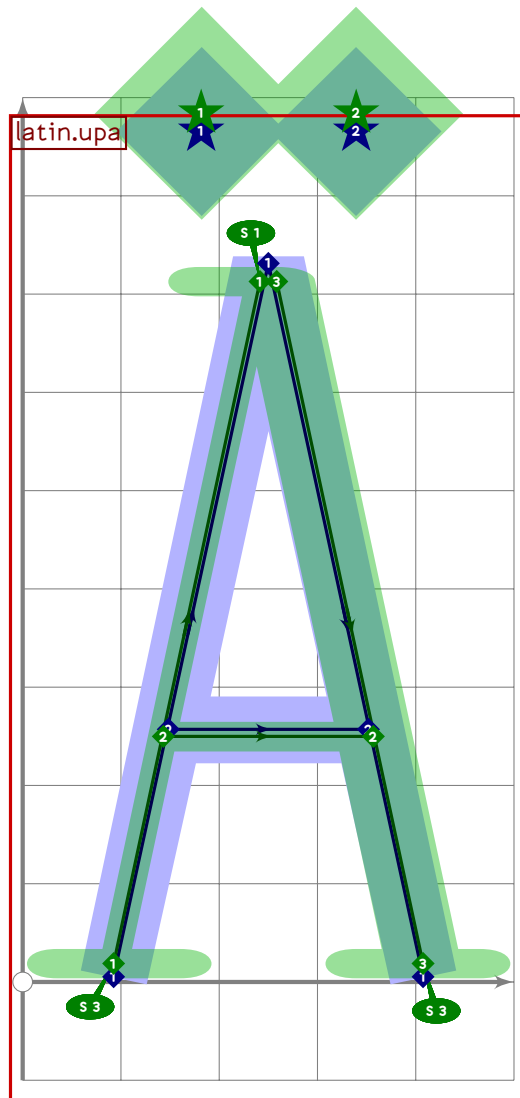
Heavy Metal Umlaut

```
256 % HEAVY METAL UMLAUT
257
258 % WARNING, setting rescale
259 tsu_rescale_half;
260
```

latin.lowe



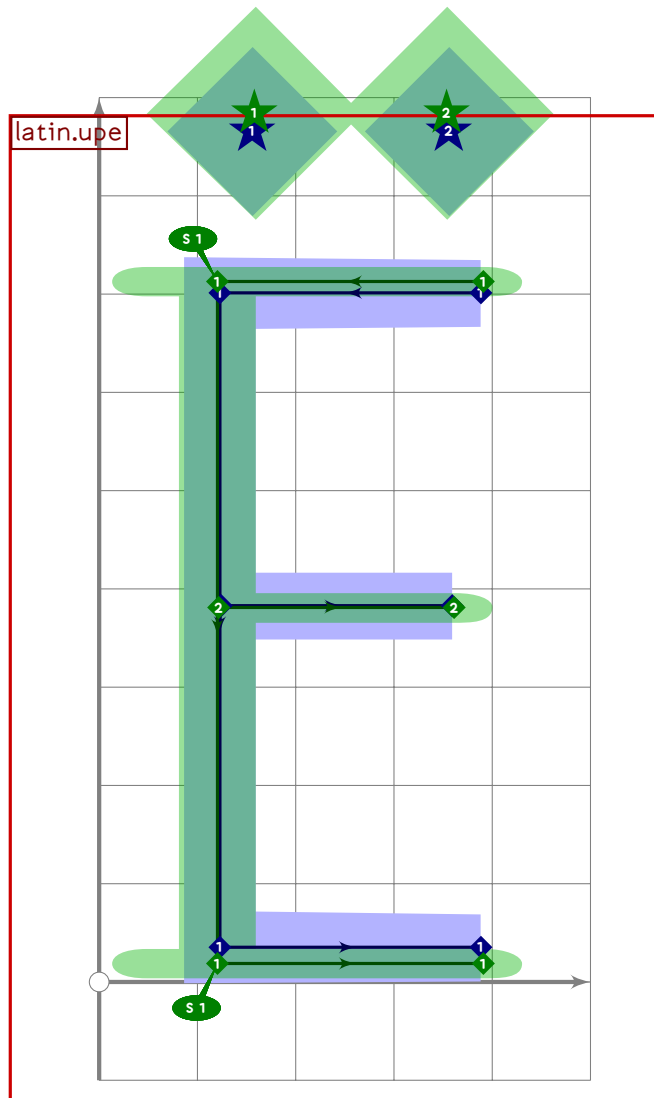
```
261 % naked heavy metal umlaut (use an invisible e to get spacing right)
262 begintsuglyph("dieresis.hmu",64);
263 tsu_accent.heavy_metal_umlaut(tsu_curve.latin.lowe);
264 bo_size1:=0;
265 tsu_render;
266 endtsuglyph;
267
```



```

268 % A with heavy metal umlaut
269 begintsuglyph("Adieresis.hmu",65);
270 tsu_accent.capital(heavy_metal_umlaut)(tsu_curve.latin.upa);
271 tsu_render;
272 endsuglyph;
273

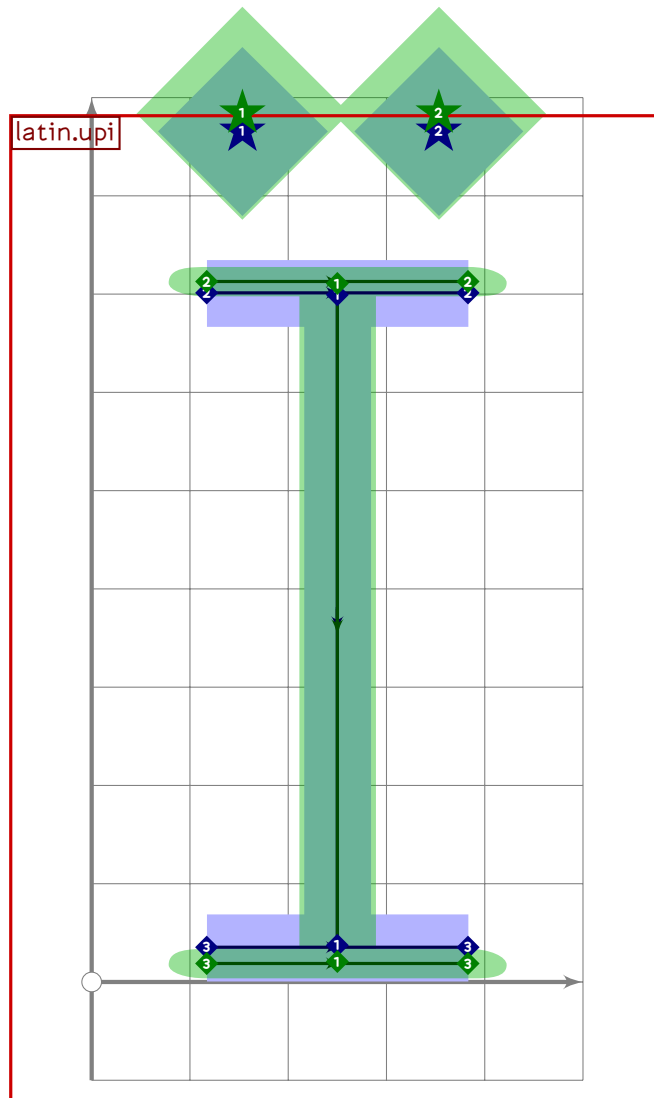
```

```

274 % E with heavy metal umlaut
275 begintsuglyph("Edieresis.hmu",66);
276 tsu_accent.capital(heavy_metal_umlaut)(tsu_curve.latin.upe);
277 tsu_render;
278 endsuglyph;
279

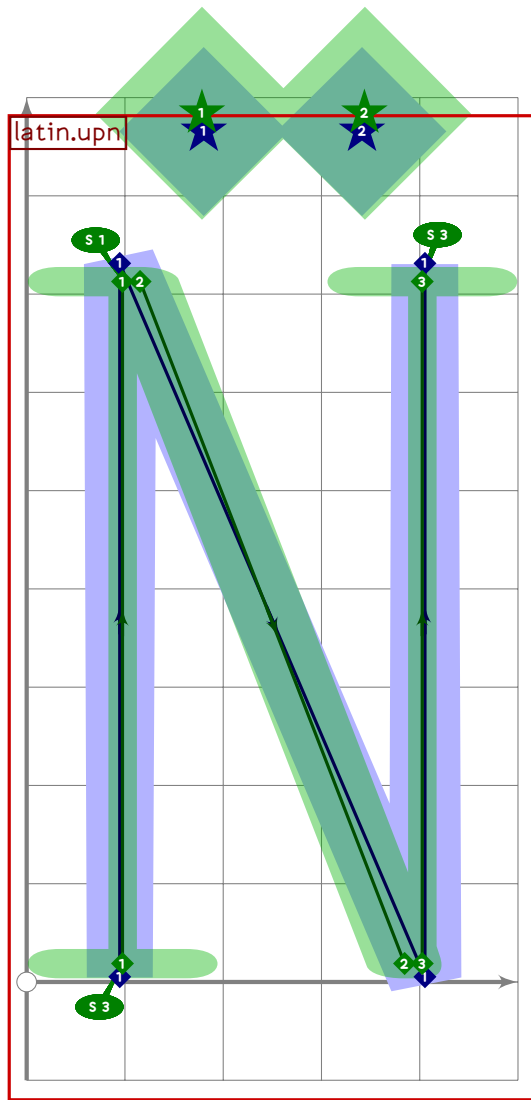
```



```

280 % I with heavy metal umlaut
281 begintsuglyph("Idieresis.hmu",67);
282 tsu_accent.capital(heavy_metal_umlaut)(tsu_curve.latin.upi);
283 lcblob1:=lcblob1 shifted (15*left);
284 lcblob2:=lcblob2 shifted (15*left);
285 tsu_render;
286 endtsuglyph;
287

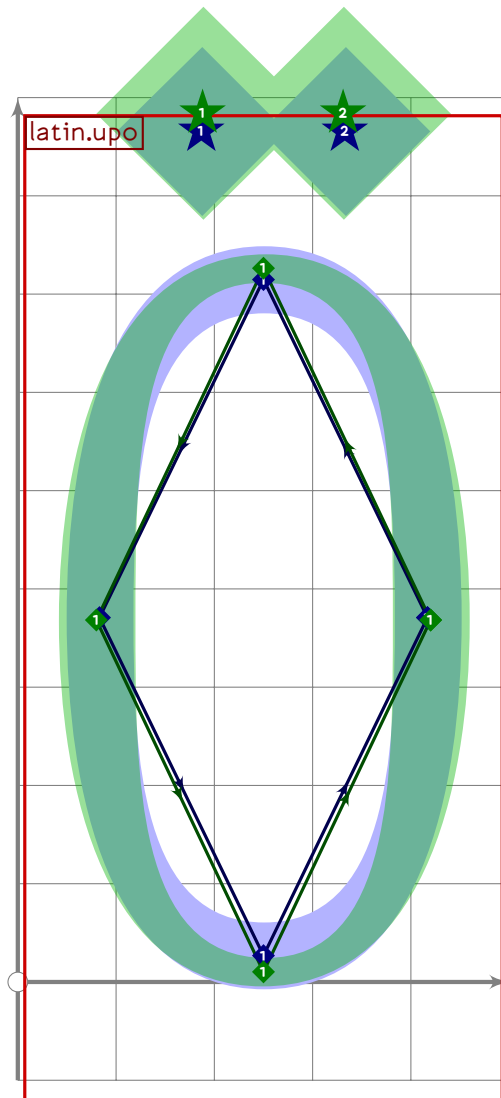
```



```

288 % N with heavy metal umlaut
289 begintsuglyph("Ndieresis.hmu",68);
290 tsu_accent.capital(heavy_metal_umlaut)(tsu_curve.latin.upn);
291 tsu_render;
292 endsuglyph;
293

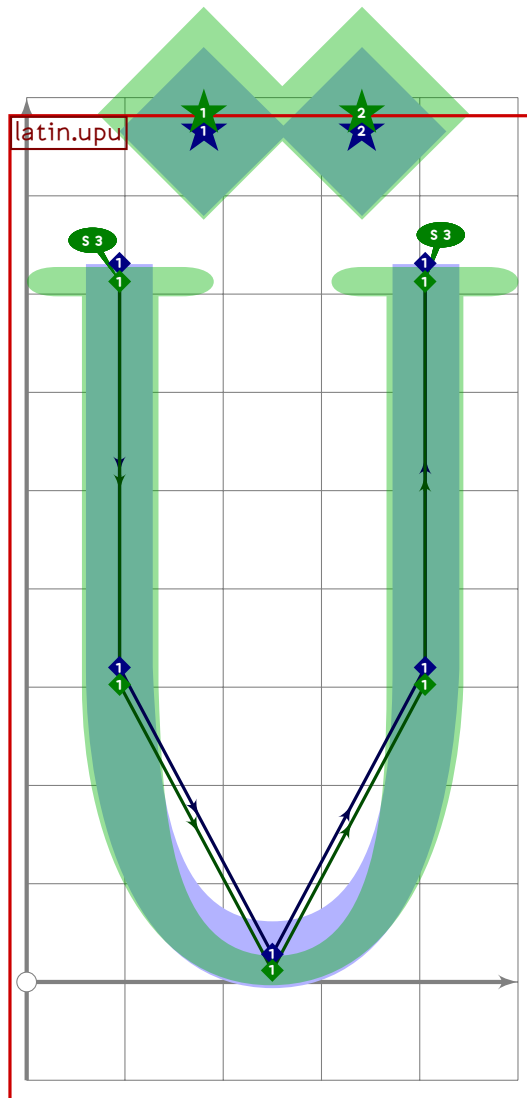
```



```

294 % O with heavy metal umlaut
295 begintsuglyph("Odieresis.hmu",69);
296 tsu_accent.capital(heavy_metal_umlaut)(tsu_curve.latin.upo);
297 tsu_render;
298 endsuglyph;
299

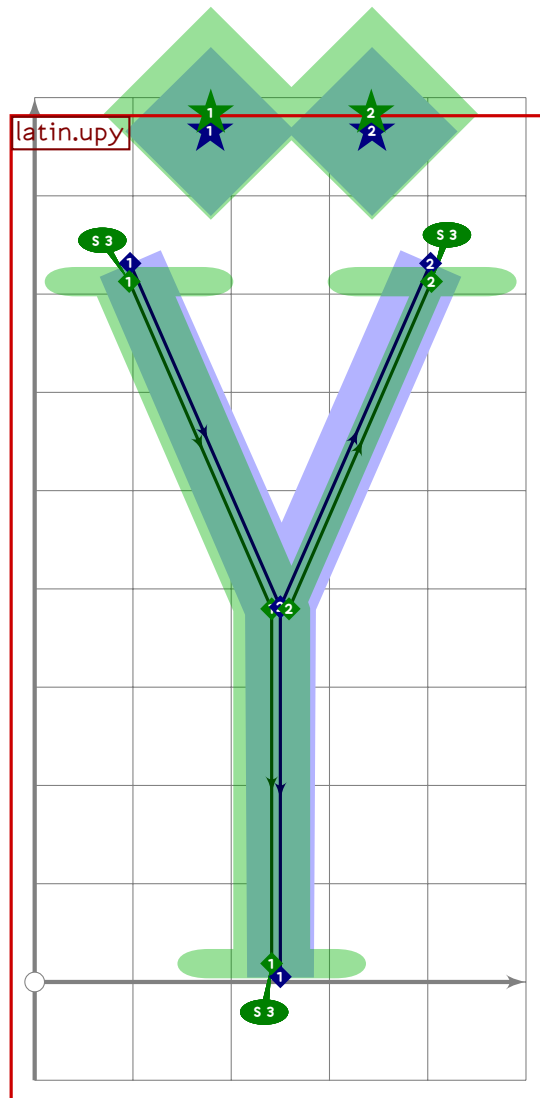
```



```

300 % U with heavy metal umlaut
301 begintsuglyph("Udieresis.hmu",70);
302 tsu_accent.capital(heavy_metal_umlaut)(tsu_curve.latin.upu);
303 tsu_render;
304 endsuglyph;
305

```

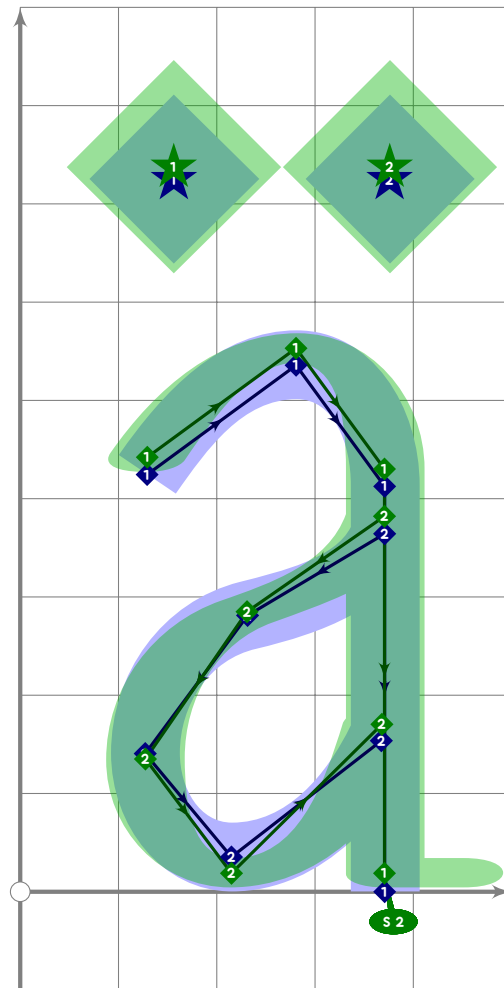


```

306 % Y with heavy metal umlaut
307 begintsuglyph("Ydieresis.hmu",71);
308 tsu_accent.capital(heavy_metal_umlaut)(tsu_curve.latin.upy);
309 tsu_render;
310 endsuglyph;
311

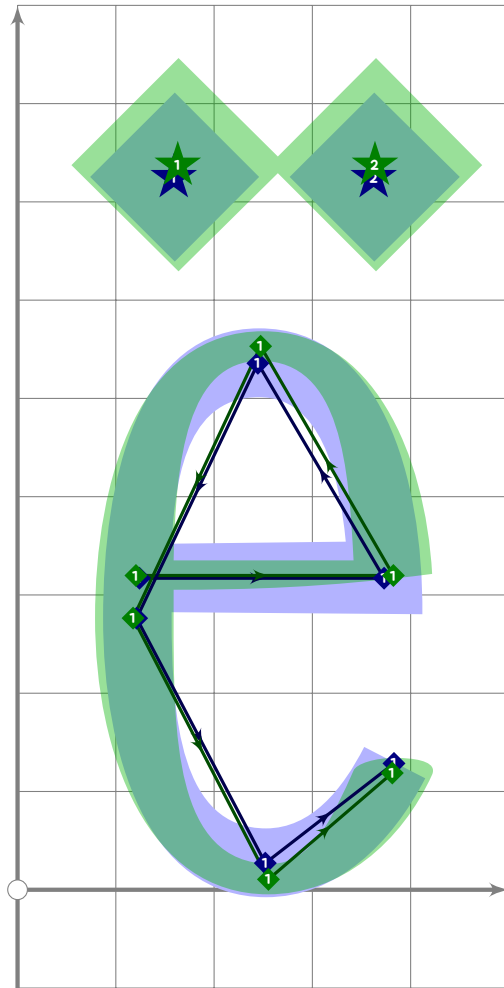
```

latin.low



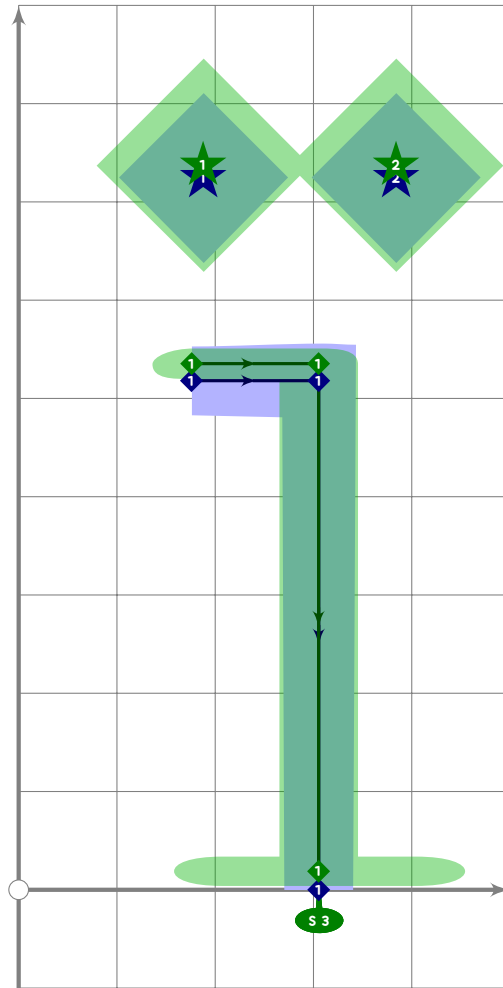
```
312 % a with heavy metal umlaut
313 begintsuglyph("adieresis.hmu",72);
314 tsu_accent.heavy_metal_umlaut(tsu_curve.latin.low);
315 tsu_render;
316 endtsuglyph;
317
```

latin.lowe



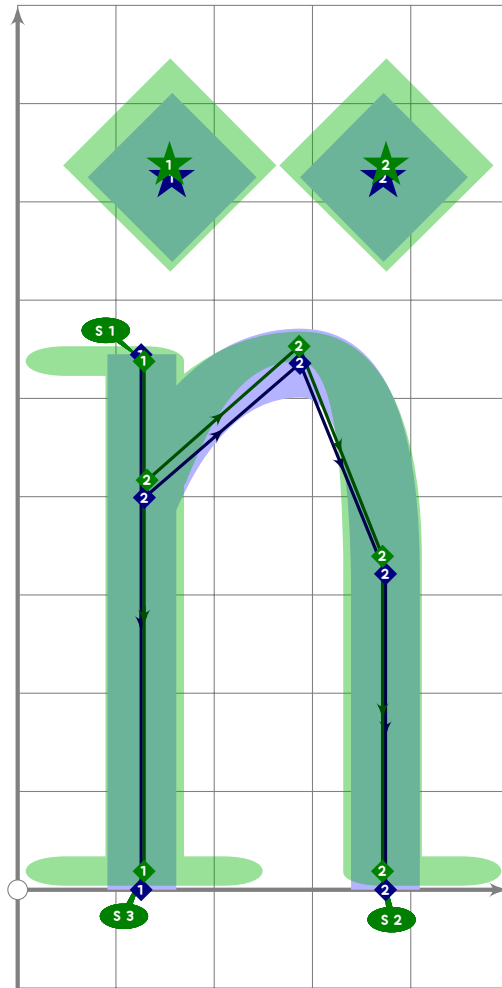
```
318 % e with heavy metal umlaut
319 begintsuglyph("edieresis.hmu",73);
320 tsu_accent.heavy_metal_umlaut(tsu_curve.latin.lowe);
321 tsu_render;
322 endtsuglyph;
323
```


latin.lowi



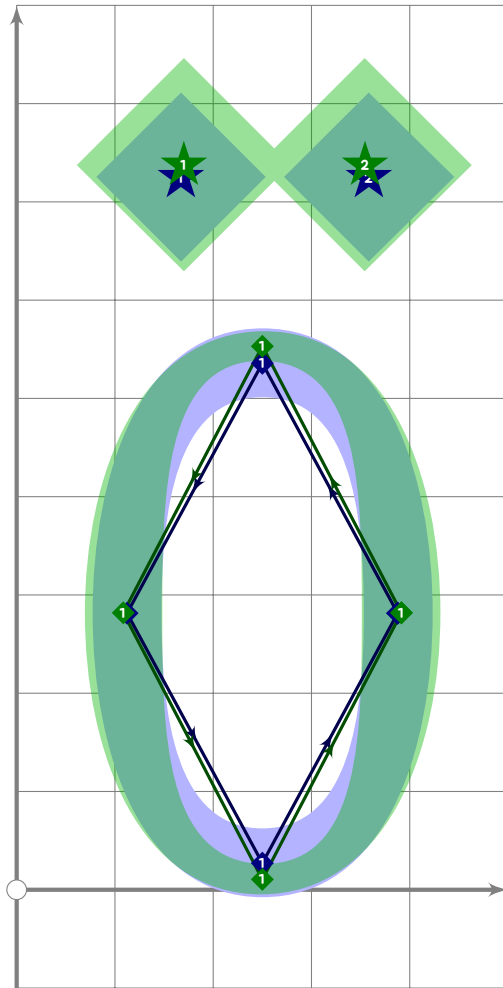
```
324 % i with heavy metal umlaut
325 begint Suglyph("idieresis.hmu",74);
326 tsu_accent.heavy_metal_umlaut(
327     tsu_curve.latin.lowi;
328     bpl:=bpl shifted (70*right);
329     path lcblob[];
330 );
331 lcblob1:=lcblob1 shifted (50*right);
332 lcblob2:=lcblob2 shifted (50*left);
333 tsu_render;
334 endtsuglyph;
335
```

latin.lown



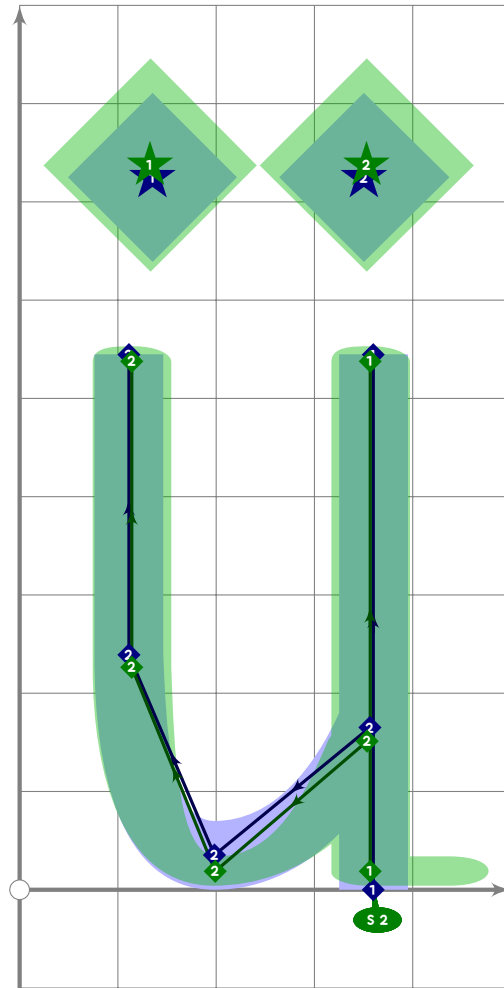
```
336 % n with heavy metal umlaut
337 begint Suglyph("ndieresis.hmu",75);
338 tsu_accent.heavy_metal_umlaut(tsu_curve.latin.lown);
339 tsu_render;
340 endtsuglyph;
341
```

latin.lowo

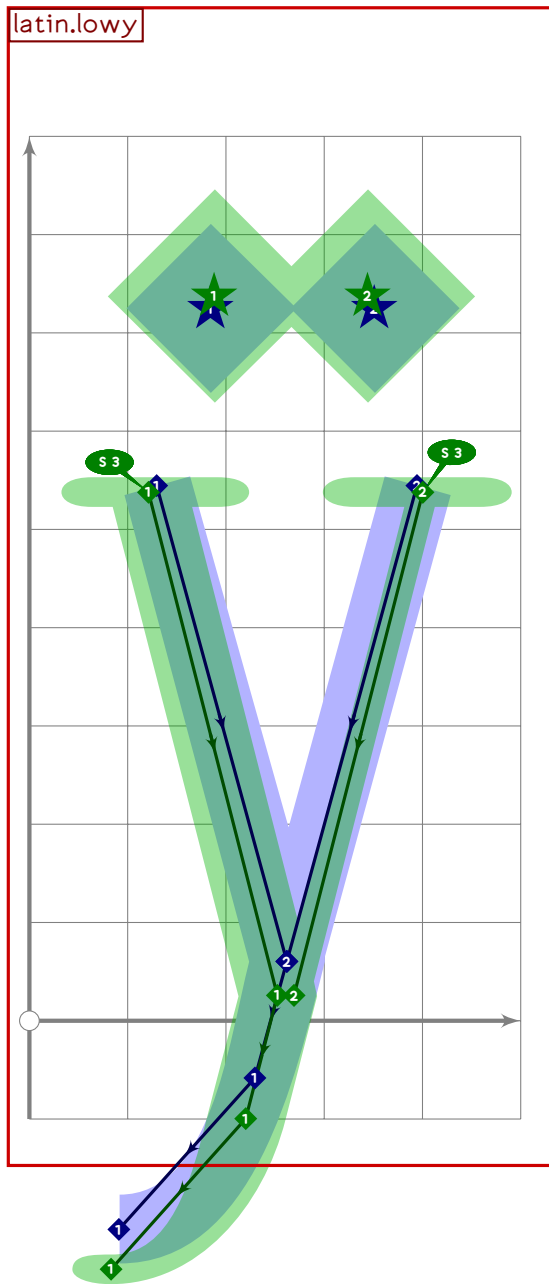


```
342 % o with heavy metal umlaut
343 begintsuglyph("odieresis.hmu",76);
344 tsu_accent.heavy_metal_umlaut(tsu_curve.latin.lowo);
345 tsu_render;
346 endtsuglyph;
347
```

latin.lowu



```
348 % u with heavy metal umlaut
349 begintsuglyph("udieresis.hmu",77);
350 tsu_accent.heavy_metal_umlaut(tsu_curve.latin.lowu);
351 lcblob1=lcblob1 shifted (-60,0);
352 lcblob2=lcblob2 shifted (-60,0);
353 tsu_render;
354 endtsuglyph;
355
```



```

356 % y with heavy metal umlaut
357 begint Suglyph("ydieresis.hmu";78);
358   tsu_accent.heavy_metal_umlaut(tsu_curve.latin.lowy);
359   tsu_render;
360 endtsuglyph;
361
362 _____
363

```

Genji-Mon

```

364 % GENJI-MON
365
366 % WARNING, setting rescale

```

```

367 tsu_rescale_full;
368
369 genji_grid:=150;
370 if unknown genji_hw:
371   genji_hw:=tsu_brush_max/1.5;
372   if genji_hw>0.85: genji_hw:=0.85; fi;
373 fi;
374 if genji_outline: genji_hw:=1-genji_hw; fi;
375
376 vardef dflt_genji_coords =
377   transform genji_coords;
378   genji_coords=identity scaled genji_grid shifted (whatever,whatever);
379   (3,3) transformed genji_coords=centre_pt;
380 enddef;
381
382 % gb(x) - start a line at the bottom in file x
383 % gf(y) - go forward, to or from rank y
384 % gs(k) - go sideways k steps
385 % ge - end a line (at top or bottom)
386 % gt - end a line (T junction)
387 % gx - end a line and start a new one (X junction)
388 % gr - turn to right
389 % gl - turn to left (only used for Yume no Ukihashi)
390 % gbk(l,r) - draw background with l/r squares removed at upper left, right
391 % gp(i,r) - build a simple "spike" in index 1, to rank r
392 % gj(s,e) - build a simple "jumper" from s to e
393
394 vardef gb(expr a) =
395   dflt_genji_coords;
396   genji_coords:=identity scaled 0.5 shifted (a,1) transformed genji_coords;
397   path genji_path;
398   genji_path:=((genji_hw,1)-(genji_hw,genji_hw)-
399     (genji_hw,genji_hw)-(genji_hw,1)) transformed genji_coords;
400   path genji_spine;
401   genji_spine:=(0,0) transformed genji_coords;
402   genji_coords:=identity shifted (0,2) transformed genji_coords;
403 enddef;
404
405 vardef gf(expr a) =
406   gs(4-a);
407 enddef;
408
409 vardef gs(expr a) =
410   genji_path:=((genji_hw,2*a-1) transformed genji_coords)-
411     genji_path-
412     ((genji_hw,2*a-1) transformed genji_coords);
413   genji_coords:=identity shifted (0,2*a) transformed genji_coords;
414 enddef;

```

```

415
416 vardef ge =
417   genji_path:=((genji_hw,genji_hw) transformed genji_coords)-
418     genji_path-
419     ((genji_hw,genji_hw) transformed genji_coords)-
420   cycle;
421   if genji_outline:
422     unFill reverse genji_path;
423   else:
424     Fill genji_path;
425   fi;
426   genji_spine:=genji_spine-((0,0) transformed genji_coords);
427   if make_prf_file:
428     write ("SEGMENT "&(decimal sp)&" 0 "&(decimal length genji_spine))
429     to "proof.prf";
430     for i=0 upto length genji_spine:
431       write ("POINT "&(decimal sp)&" "&(decimal i)&" "&
432         (decimal xpart point i of genji_spine)&" "&
433         (decimal ypart point i of genji_spine)) to "proof.prf";
434     endfor;
435     sp:=sp*1;
436   fi;
437 enddef;
438
439 vardef gt =
440   genji_path:=((genji_hw,genji_hw) transformed genji_coords)-
441     genji_path-
442     ((genji_hw,genji_hw) transformed genji_coords)-
443   cycle;
444   if genji_outline:
445     unFill reverse genji_path;
446   else:
447     Fill genji_path;
448   fi;
449   genji_spine:=genji_spine-((0,1) transformed genji_coords);
450   if make_prf_file:
451     write ("SEGMENT "&(decimal sp)&" 0 "&(decimal length genji_spine))
452     to "proof.prf";
453     for i=0 upto length genji_spine:
454       write ("POINT "&(decimal sp)&" "&(decimal i)&" "&
455         (decimal xpart point i of genji_spine)&" "&
456         (decimal ypart point i of genji_spine)) to "proof.prf";
457     endfor;
458     sp:=sp*1;
459   fi;
460 enddef;
461
462 vardef gx =

```

```

463 gt;
464 genji_path:=((-genji_hw,1)-(-genji_hw,genji_hw)-
465   (genji_hw,genji_hw)-(-genji_hw,1)) transformed genji_coords;
466 genji_spine:=(0,1) transformed genji_coords;
467 genji_coords:=identity shifted (0,2) transformed genji_coords;
468 enddef;
469
470 vardef gr =
471   genji_path:=((1,genji_hw) transformed genji_coords)-
472     ((-genji_hw,genji_hw) transformed genji_coords)-
473     genji_path-
474     ((genji_hw,genji_hw) transformed genji_coords)-
475     ((1,genji_hw) transformed genji_coords);
476   genji_spine:=genji_spine-((0,0) transformed genji_coords);
477   genji_coords:=identity shifted (0,2) rotated -90 transformed genji_coords;
478 enddef;
479
480 vardef gl =
481   genji_path:=((-1,genji_hw) transformed genji_coords)-
482     ((-genji_hw,genji_hw) transformed genji_coords)-
483     genji_path-
484     ((genji_hw,genji_hw) transformed genji_coords)-
485     ((-1,genji_hw) transformed genji_coords);
486   genji_spine:=genji_spine-((0,0) transformed genji_coords);
487   genji_coords:=identity shifted (0,2) rotated 90 transformed genji_coords;
488 enddef;
489
490 vardef gbk(expr lcut,rcut) =
491   if genji_outline:
492     path genji_path;
493     genji_path:=(genji_hw/2,genji_hw/2)-(6*genji_hw/2,genji_hw/2)-
494       if rcut>0:
495         (6*genji_hw/2,5*genji_hw/2)-
496         (6*genji_hw/2-rcut,5*genji_hw/2)-
497         (6*genji_hw/2-rcut,6*genji_hw/2)-
498       else:
499         (6*genji_hw/2,6*genji_hw/2)-
500     fi
501     if lcut>0:
502       (genji_hw/2*lcut,6*genji_hw/2)-
503       (genji_hw/2*lcut,5*genji_hw/2)-
504       (genji_hw/2,5*genji_hw/2)-
505     else:
506       (genji_hw/2,6*genji_hw/2)-
507     fi
508     cycle;
509   dflt_genji_coords;
510   Fill genji_path transformed genji_coords;

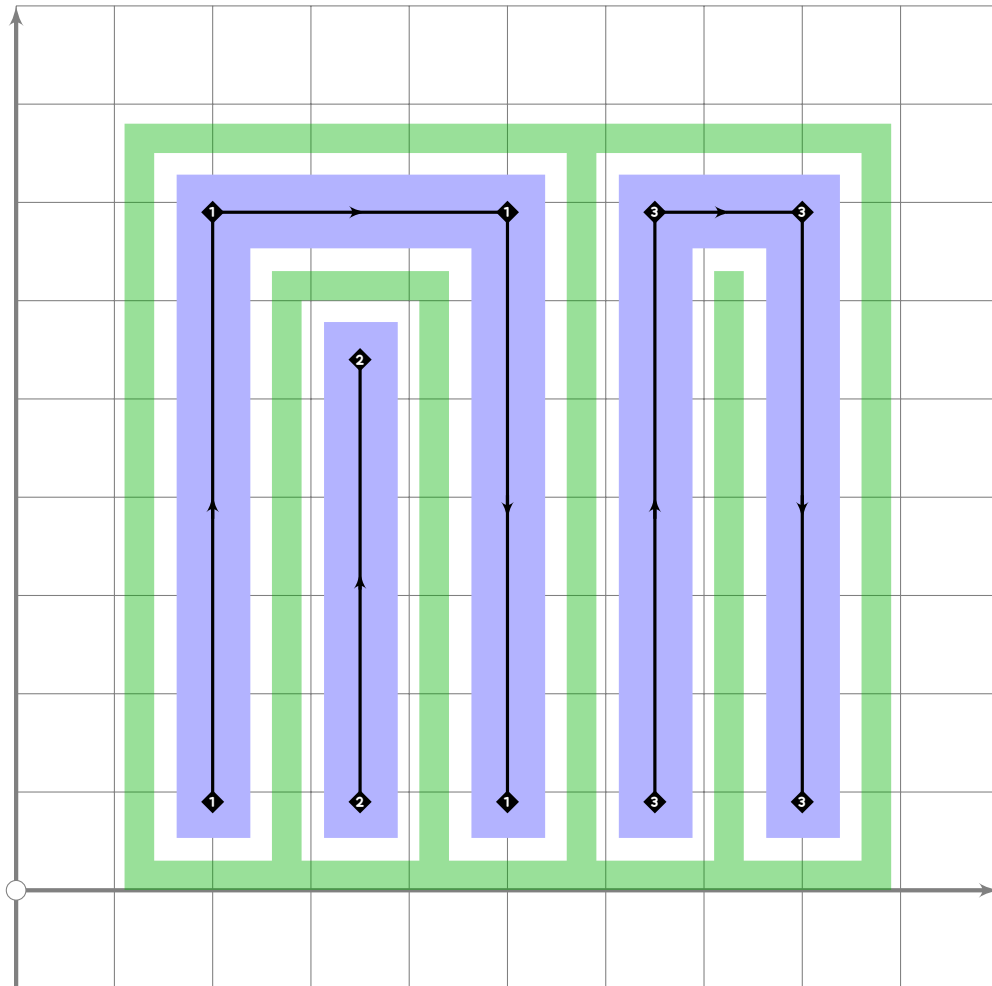
```



```

511 fi;
512 enddef;
513
514 vardef gp(expr i,r) =
515   gb(i);gf(r);ge;
516 enddef;
517
518 vardef gj(expr si,ei) =
519   gb(si);gf(1);gr;if ei>si+1:gs(ei-si-1);fi;gr;gf(1);ge;
520 enddef;
521
522 vardef gtt(expr a,b) =
523   gb(a);gf(b);gt;
524 enddef;
525

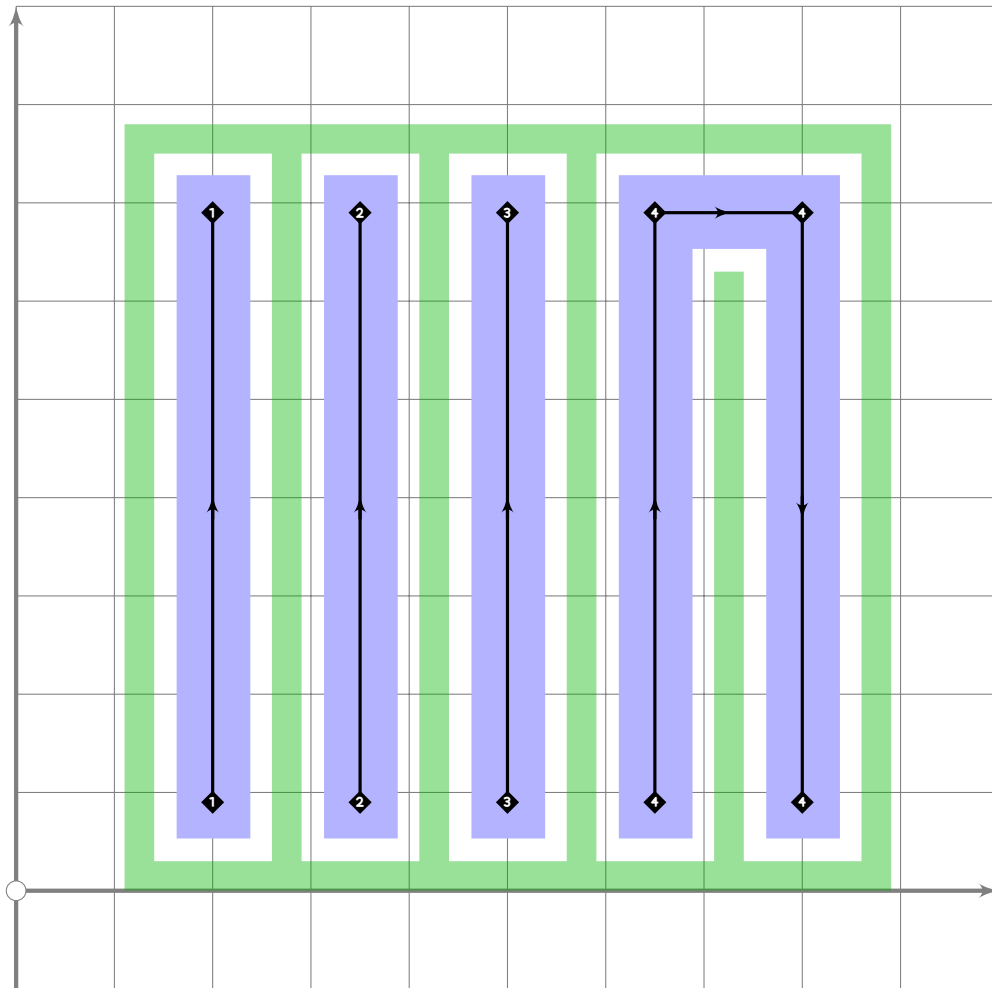
```



```

526 % #1 Kiritsubo
527 begintsuglyph("genjimon01";193);
528   gbk(0,0);
529   gj(1,3);
530   gp(2,2);
531   gj(4,5);

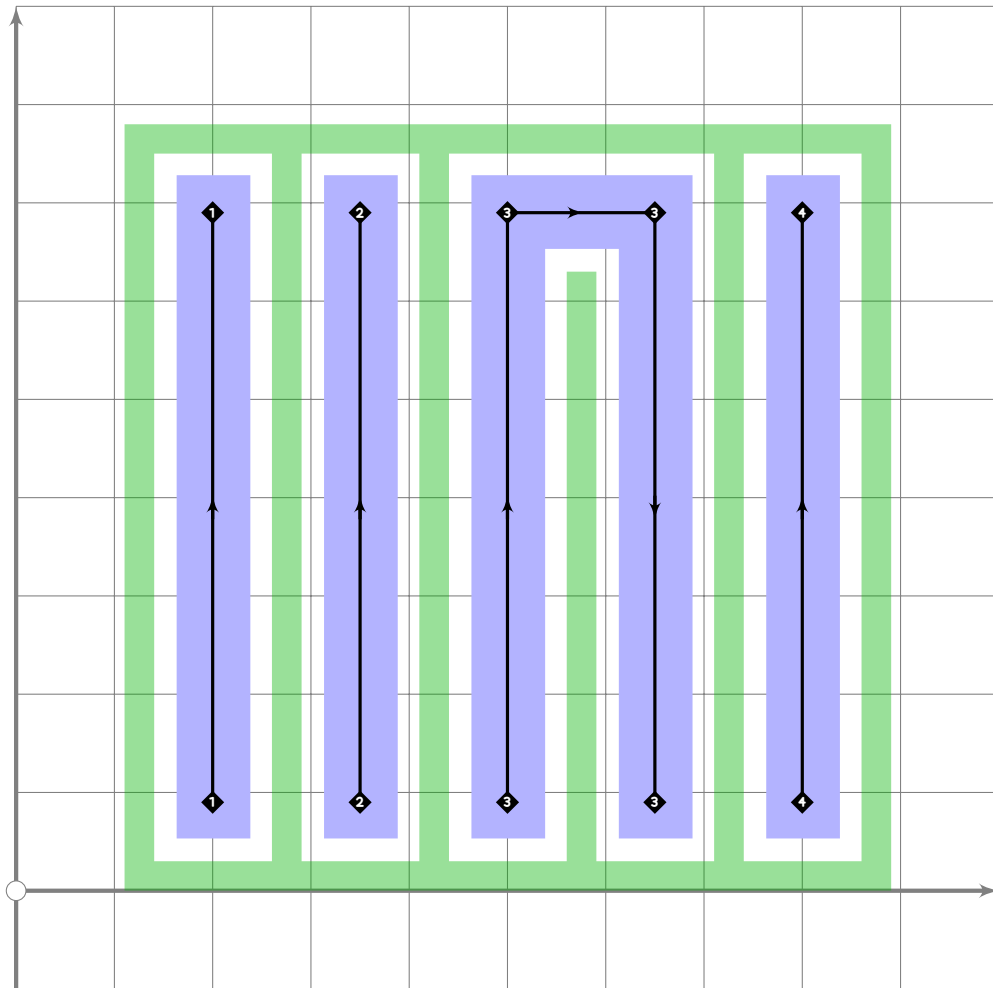
```

```

544 % #3 Utsusemi
545 begint Suglyph("genjimon03",195);
546 gbk(0,0);
547 gp(1,1);
548 gp(2,1);
549 gp(3,1);
550 gj(4,5);
551 endtsuglyph;
552

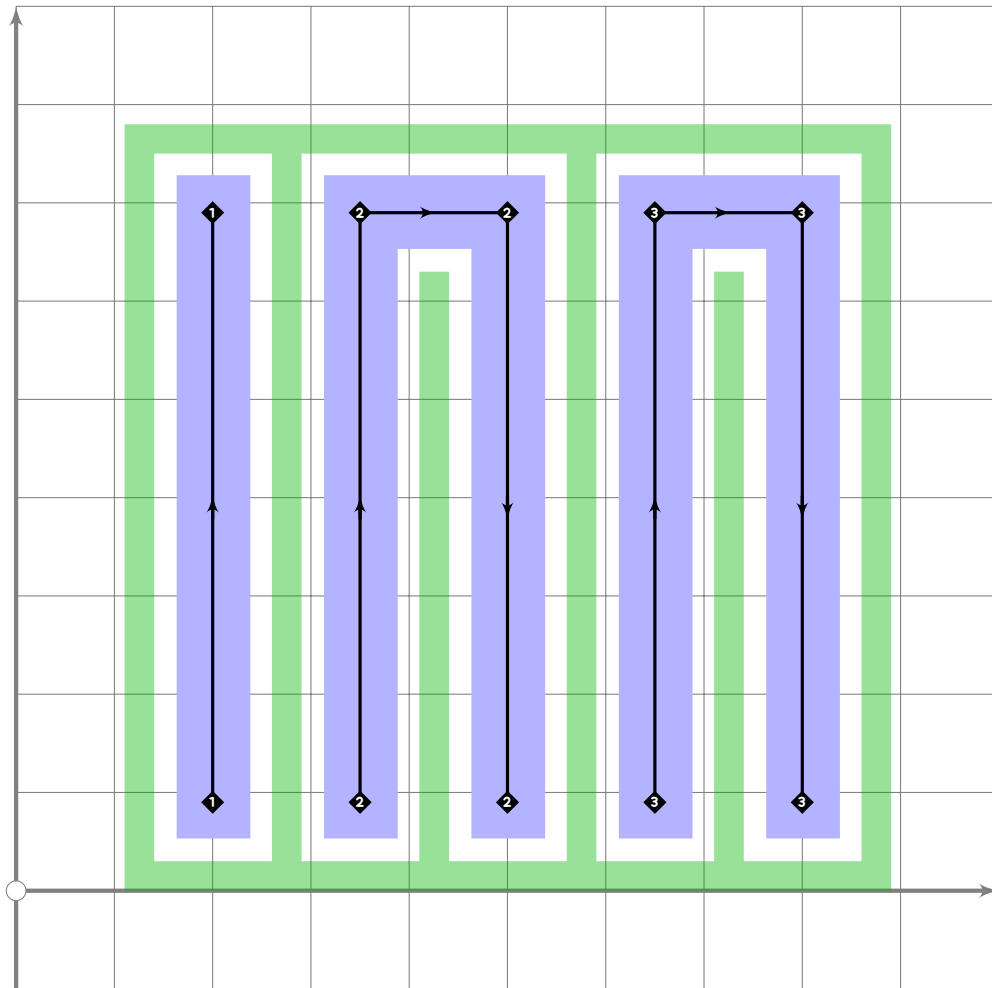
```



```

553 % #4 Yuugao
554 begintsuglyph("genjimon04",196);
555 gbk(0,0);
556 gp(1,1);
557 gp(2,1);
558 gj(3,4);
559 gp(5,1);
560 endsuglyph;
561

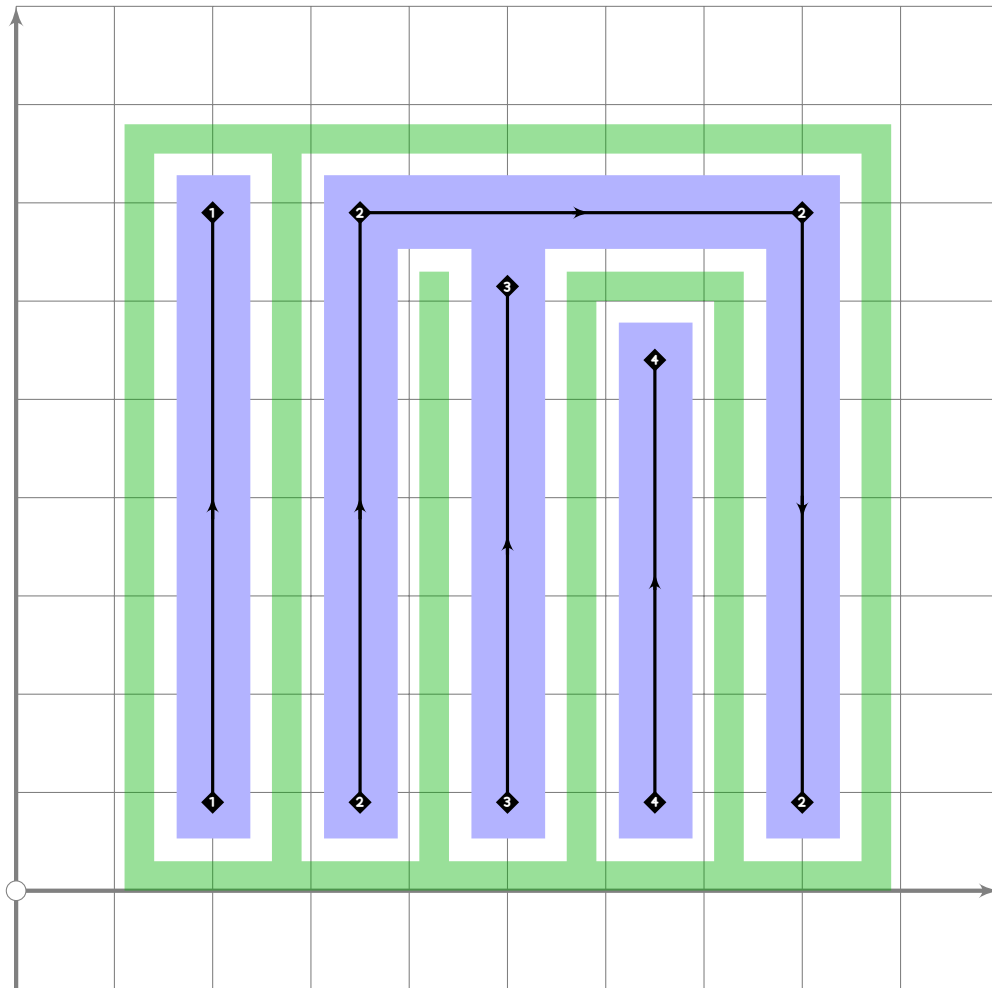
```



```

562 % #5 Wakamurasaki
563 begintsuglyph("genjimon05",197);
564 gbk(0,0);
565 gp(1,1);
566 gj(2,3);
567 gj(4,5);
568 endsuglyph;
569

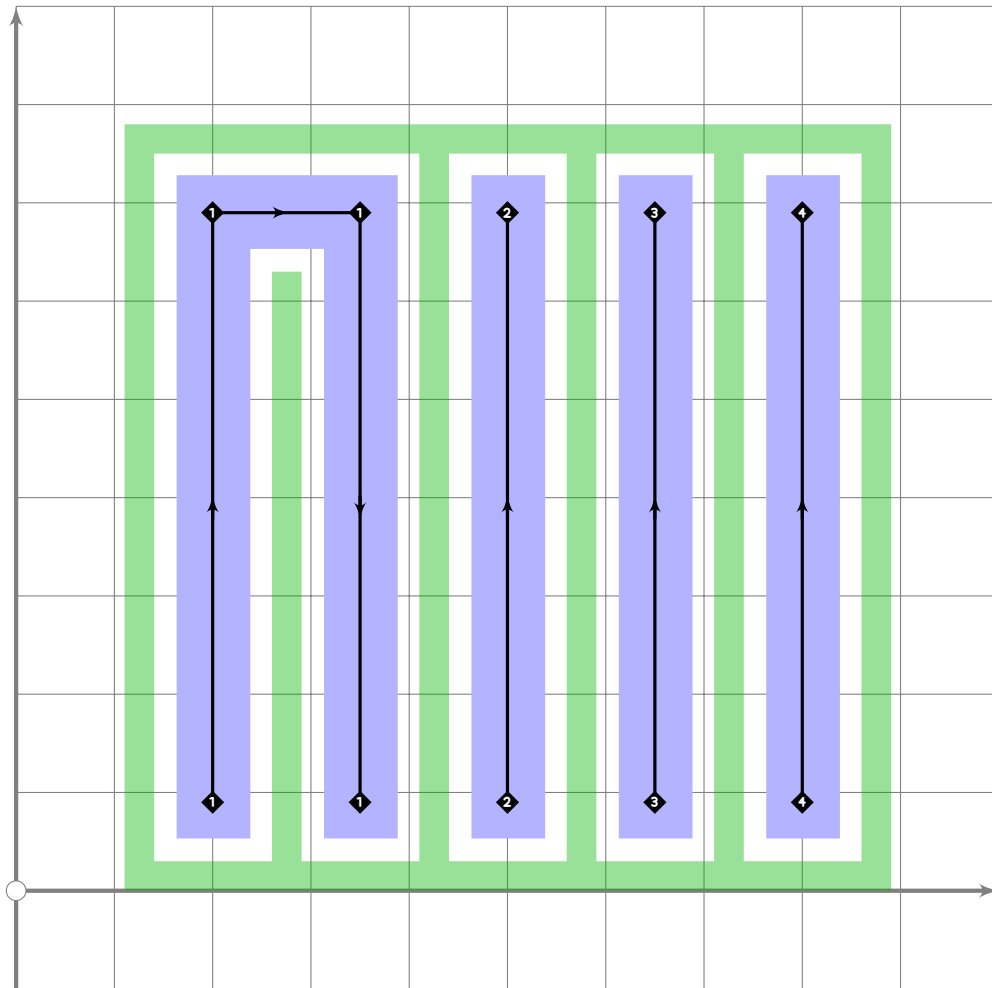
```

```

579 % #7 Momiji no Ga
580 begintsuglyph("genjimon07",199);
581 gbk(0,0);
582 gp(1,1);
583 gj(2,5);
584 gtt(3,1);
585 gp(4,2);
586 endsuglyph;
587

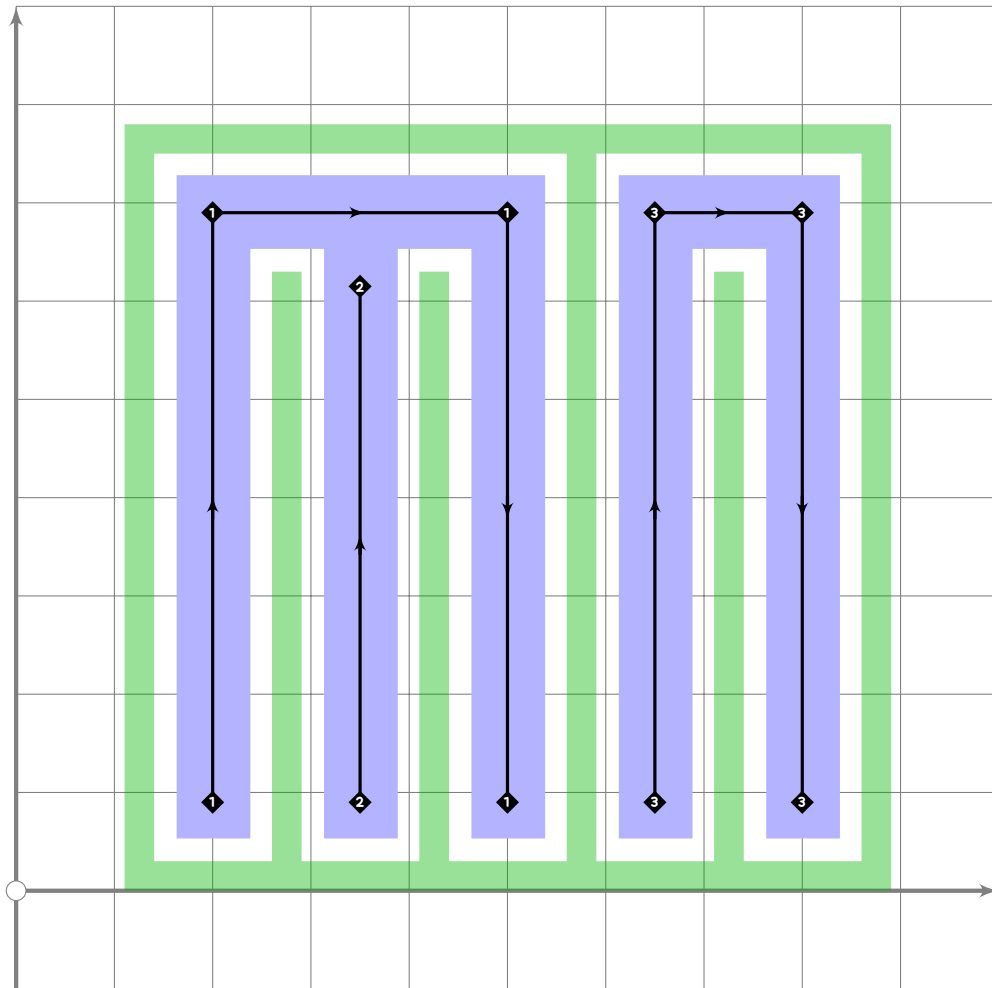
```

```

597 % #9 Aoi
598 begint Suglyph("genjimon09";201);
599 gbk(0,0);
600 gj(1,2);
601 gp(3,1);
602 gp(4,1);
603 gp(5,1);
604 endtsuglyph;
605

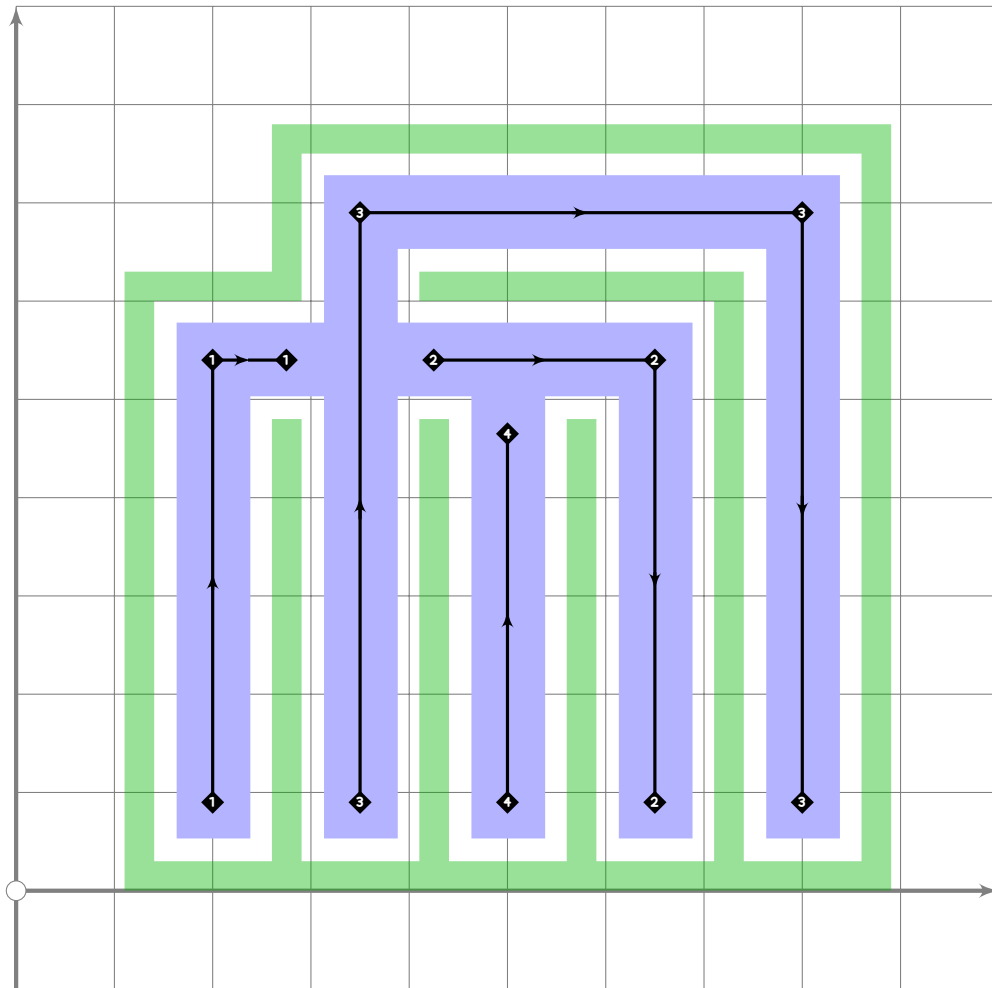
```



```

606 % #10 Sakaki
607 begint Suglyph("genjimon10";202);
608 gbk(0,0);
609 gj(1,3);
610 gtt(2,1);
611 gj(4,5);
612 endtsuglyph;
613

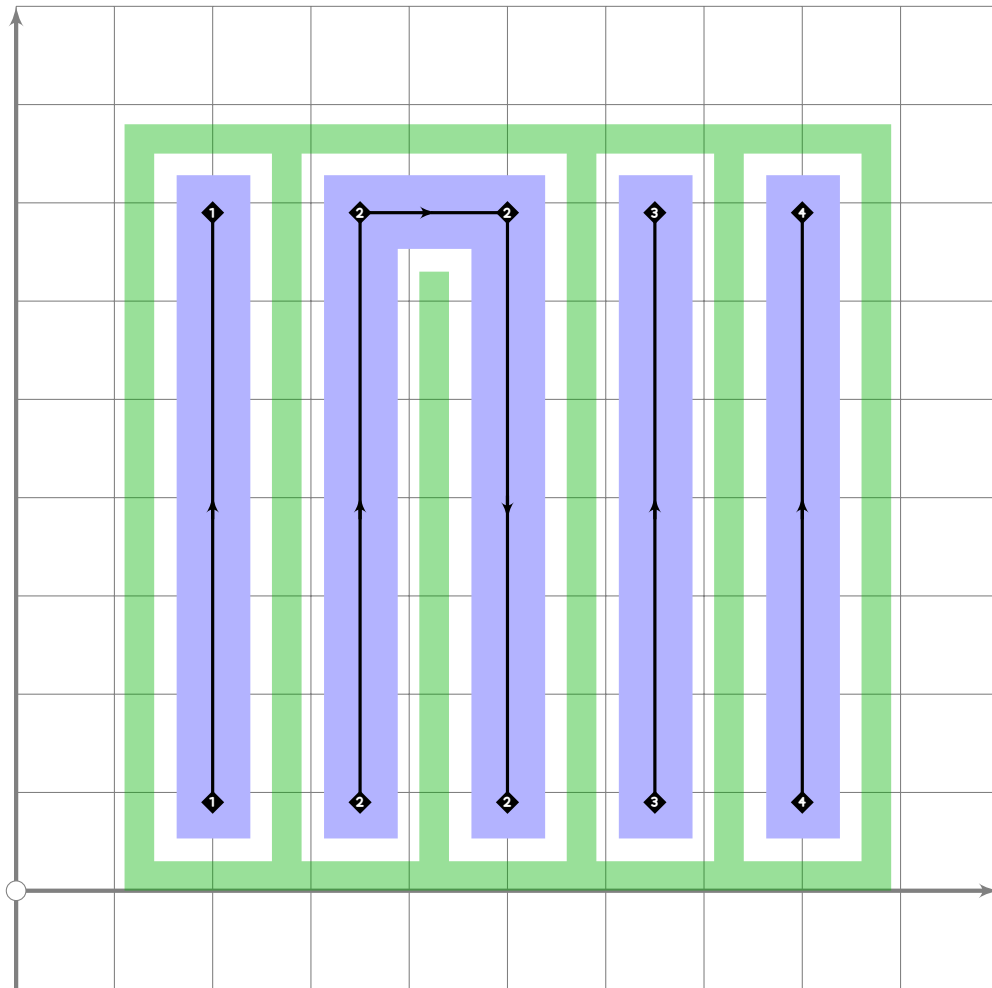
```

```

622 % #12 Suma
623 beginsuglyph("genjimon12";204);
624 gbk(1,0);
625 gb(1);gf(2);gr;gx;gs(1);gr;gf(2);ge;
626 gj(2,5);
627 gtt(3,2);
628 endsuglyph;
629

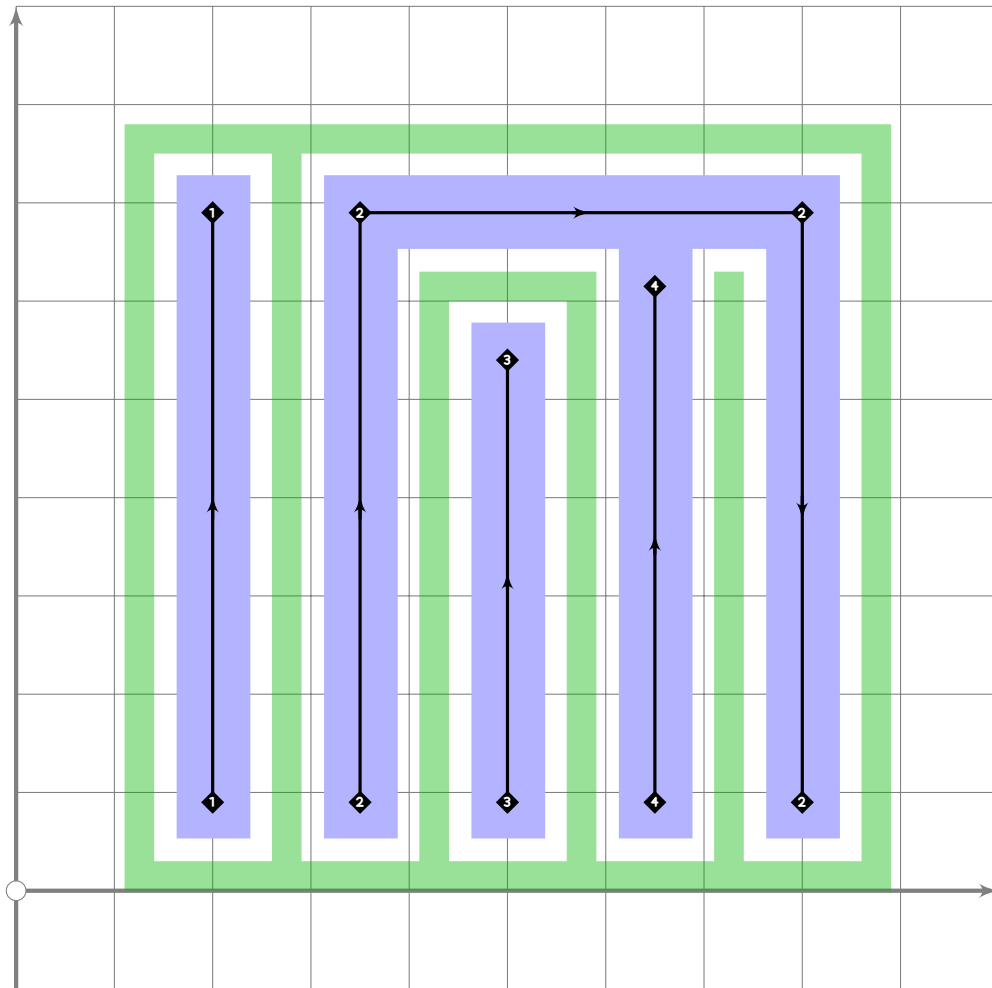
```



```

630 % #13 Akashi
631 begint Suglyph("genjimon13";205);
632 gbk(0,0);
633 gp(1,1);
634 gj(2,3);
635 gp(4,1);
636 gp(5,1);
637 endtsuglyph;
638

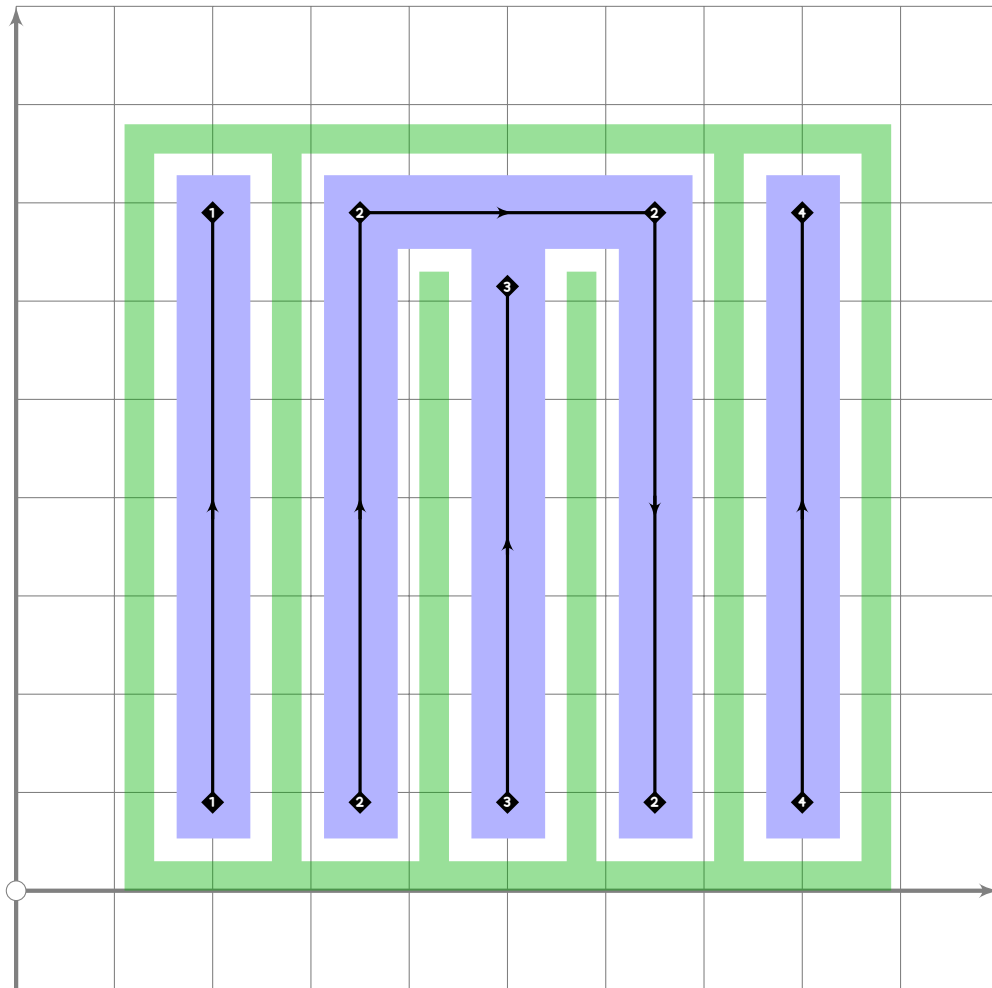
```



```

639 % #14 Miotsukushi
640 begintsuglyph("genjimon14";206);
641 gbk(0,0);
642 gp(1,1);
643 gj(2,5);
644 gp(3,2);
645 gtt(4,1);
646 endtsuglyph;
647

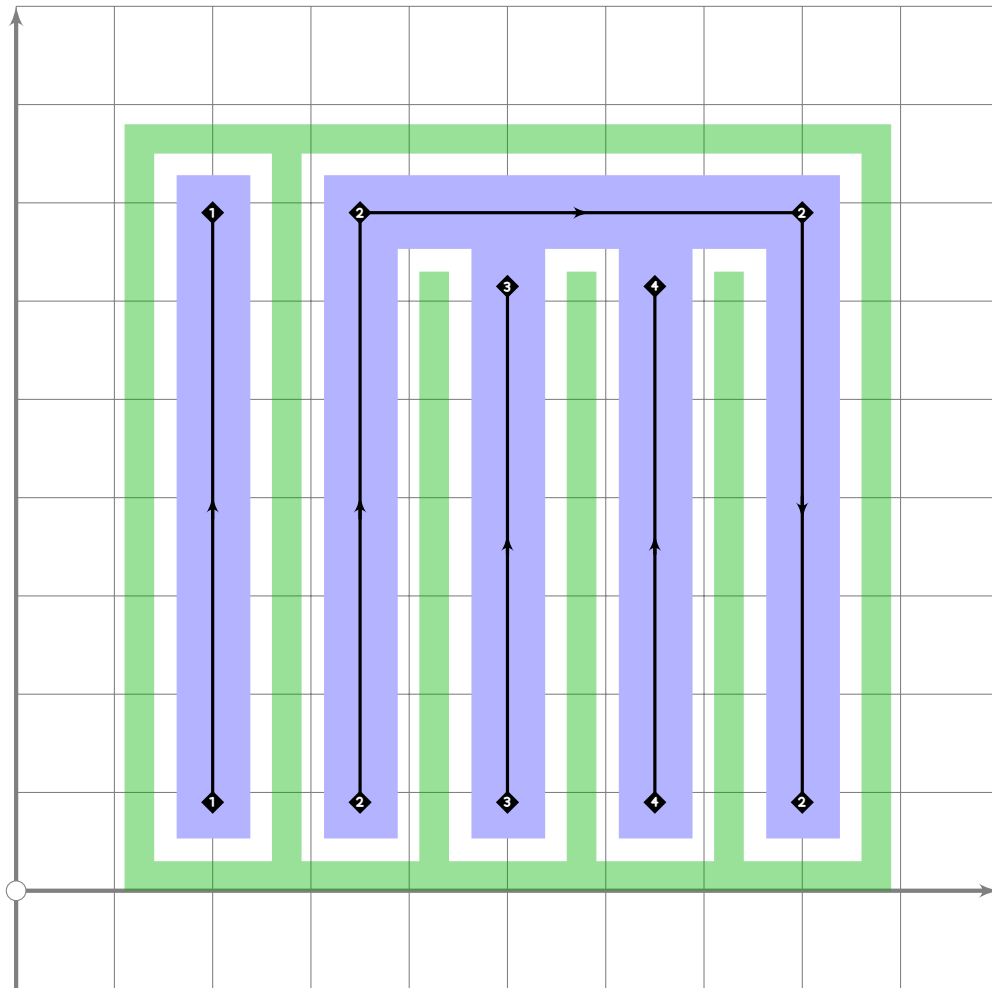
```

```

657 % #16 Sekiya
658 begintsuglyph("genjimon16";208);
659 gbk(0,0);
660 gp(1,1);
661 gj(2,4);
662 gtt(3,1);
663 gp(5,1);
664 endsuglyph;
665

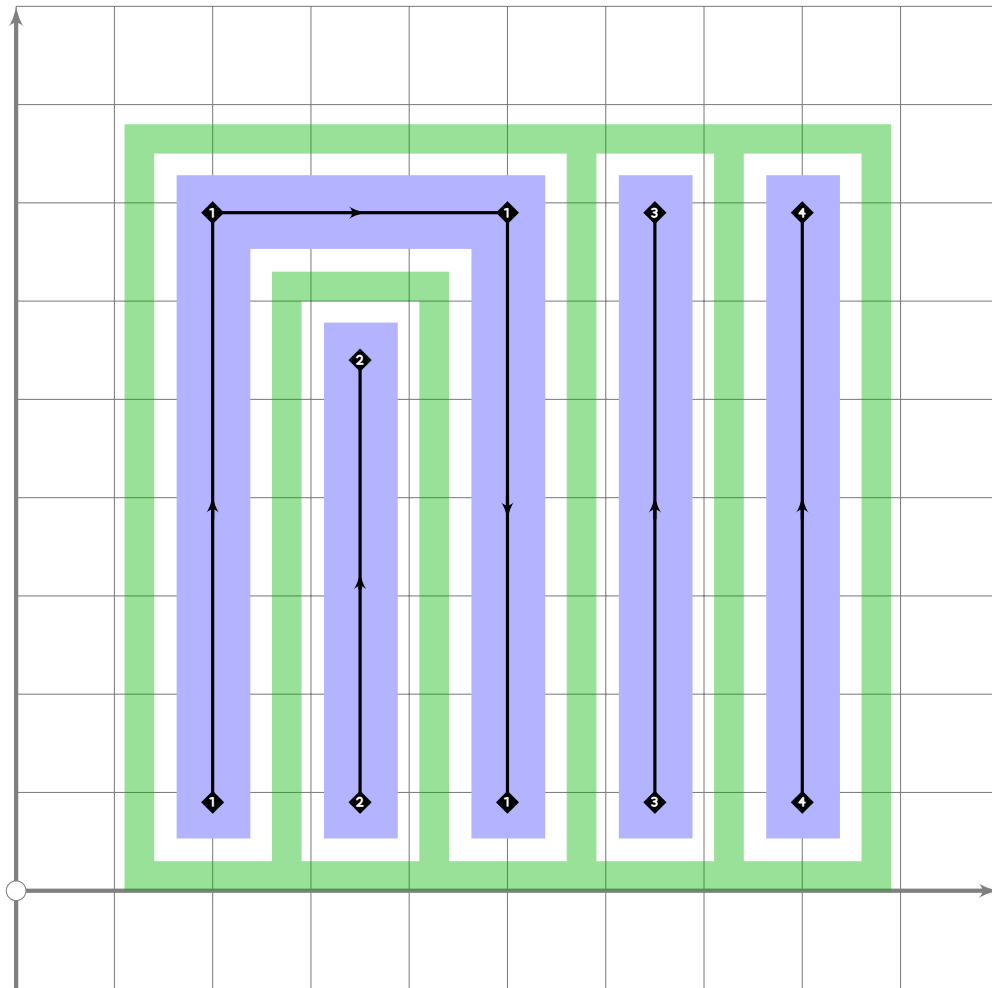
```

```

682 % #19 Usugumo
683 begintsuglyph("genjimon19";211);
684 gbk(0,0);
685 gp(1,1);
686 gj(2,5);
687 gtt(3,1);
688 gtt(4,1);
689 endsuglyph;
690

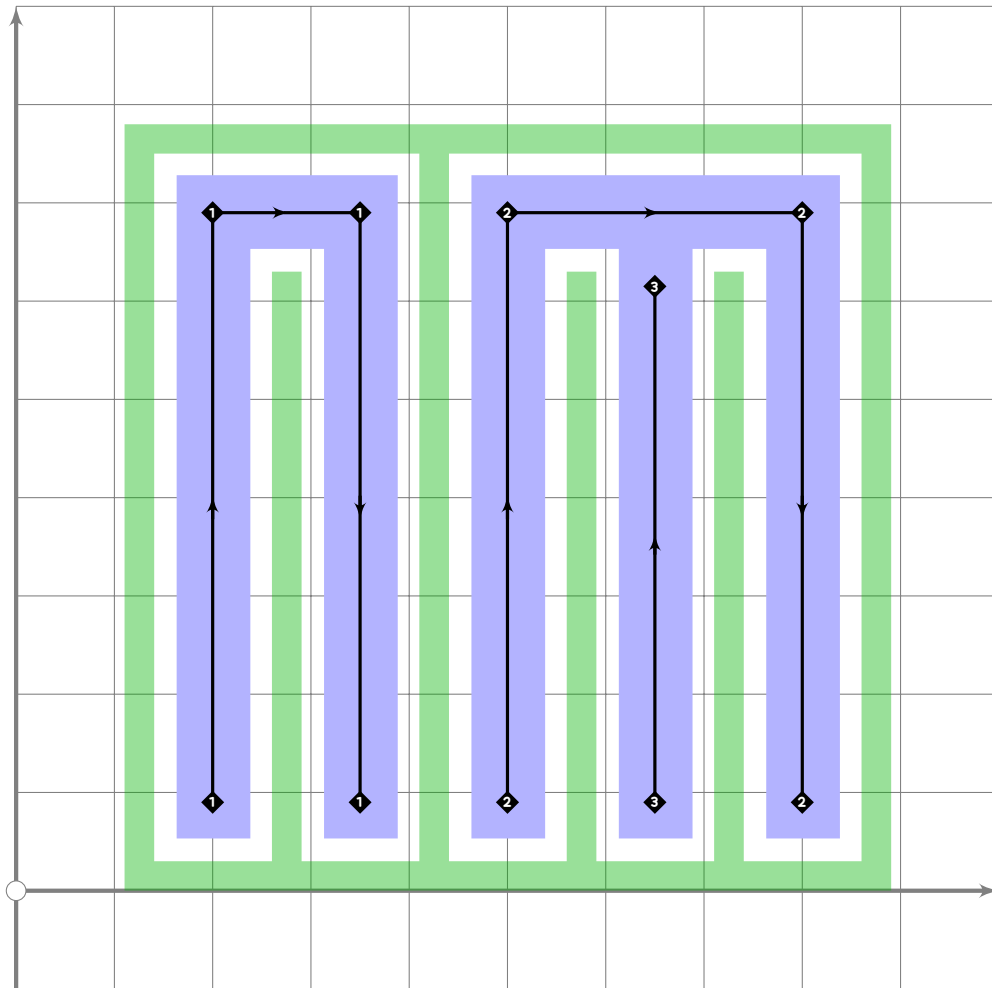
```

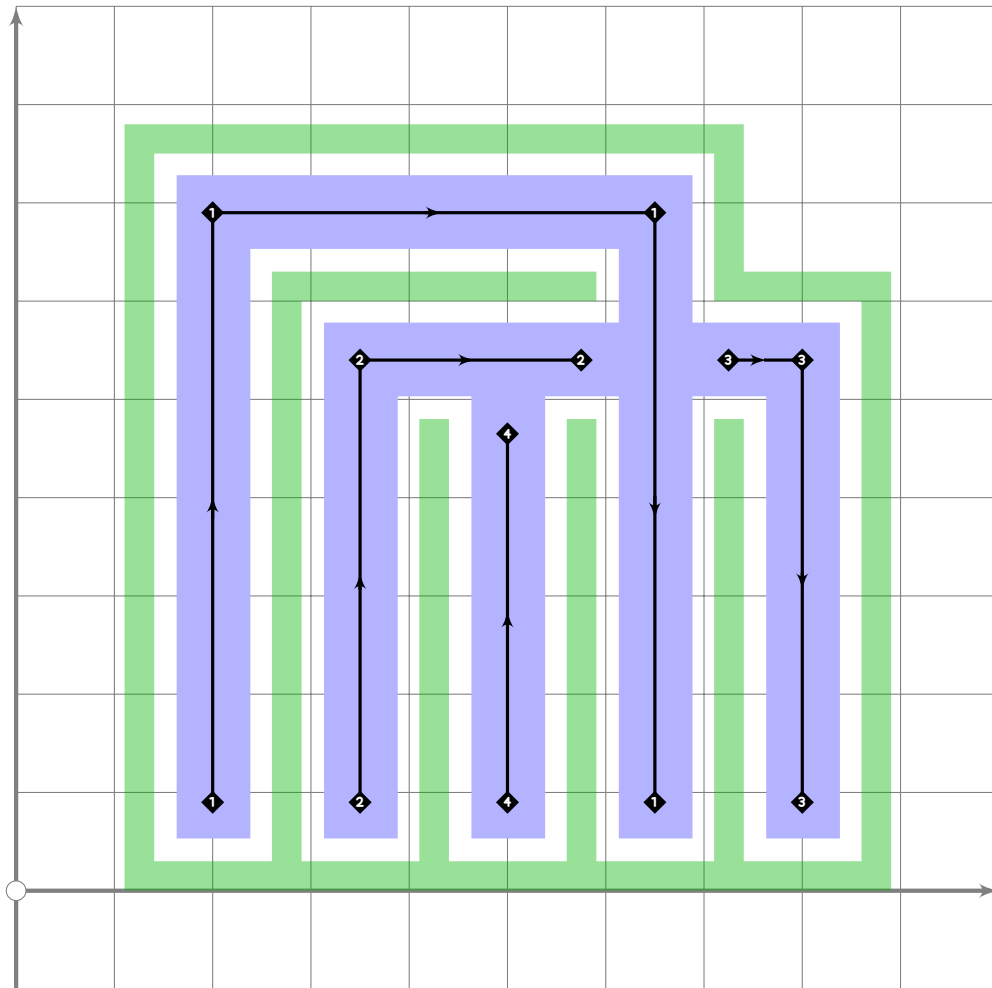
```

700 % #21 Otome
701 begint Suglyph("genjimon21";213);
702 gbk(0,0);
703 gj(1,3);
704 gp(2,2);
705 gp(4,1);
706 gp(5,1);
707 endtsuglyph;
708

```



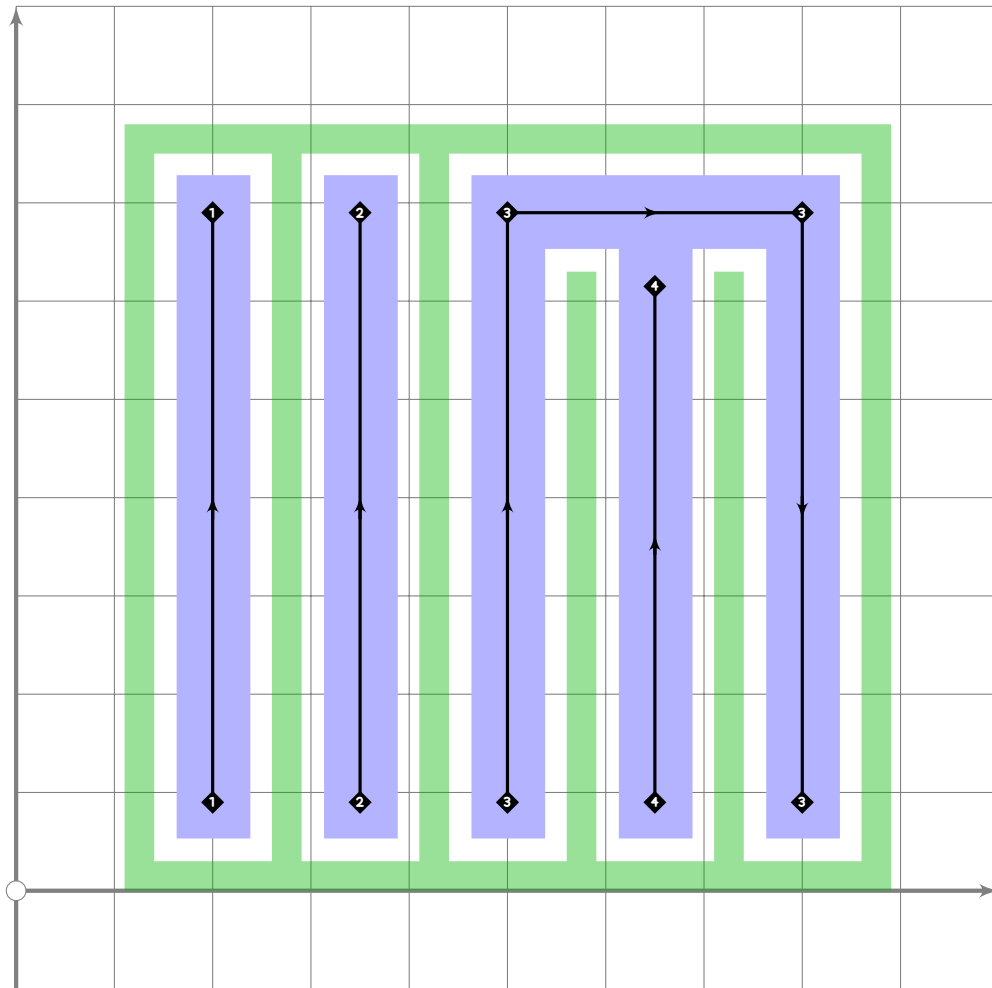
```
709 % #22 Tamakazura
710 begintsuglyph("genjimon22",214);
711 gbk(0,0);
712 gj(1,2);
713 gj(3,5);
714 gtt(4,1);
715 endsuglyph;
716
```

```

725 % #24 Kochou
726 beginsuglyph("genjimon24",216);
727 gbk(0,1);
728 gj(1,4);
729 gb(2);gf(2);gr;gs(1);gx;gr;gf(2);ge;
730 gtt(3,2);
731 endsuglyph;
732

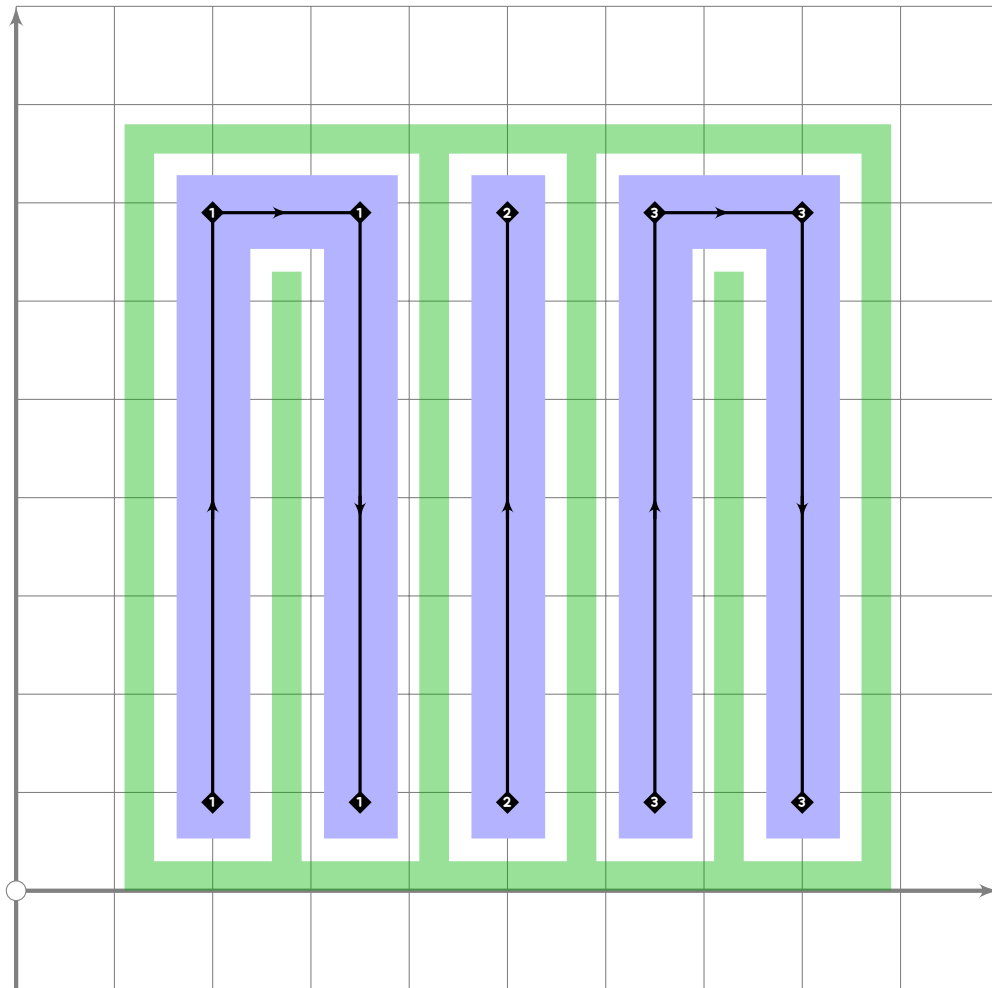
```

```

742 % #26 Tokonatsu
743 begintsuglyph("genjimon26",218);
744 gbk(0,0);
745 gp(1,1);
746 gp(2,1);
747 gj(3,5);
748 gtt(4,1);
749 endtsuglyph;
750

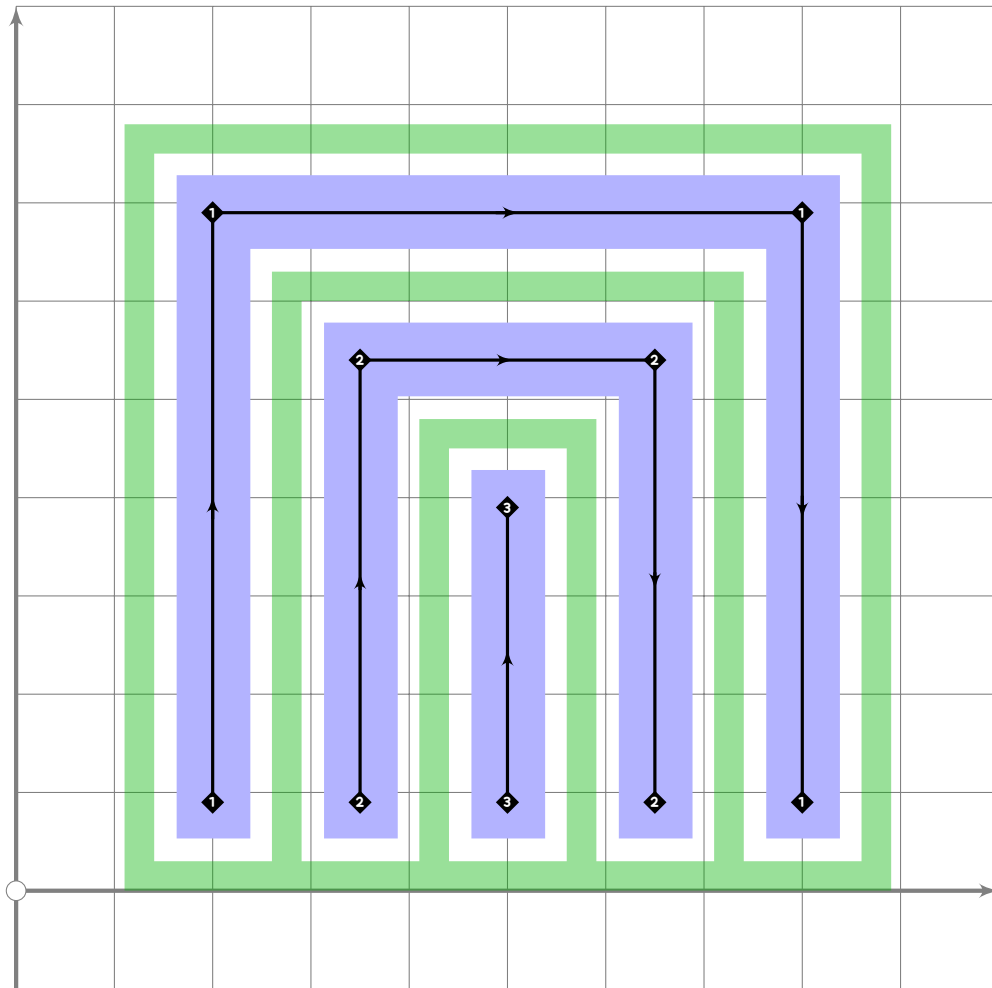
```

```

760 % #28 Nowaki
761 begint Suglyph("genjimon28",220);
762 gbk(0,0);
763 gj(1,2);
764 gp(3,1);
765 gj(4,5);
766 endtsuglyph;
767

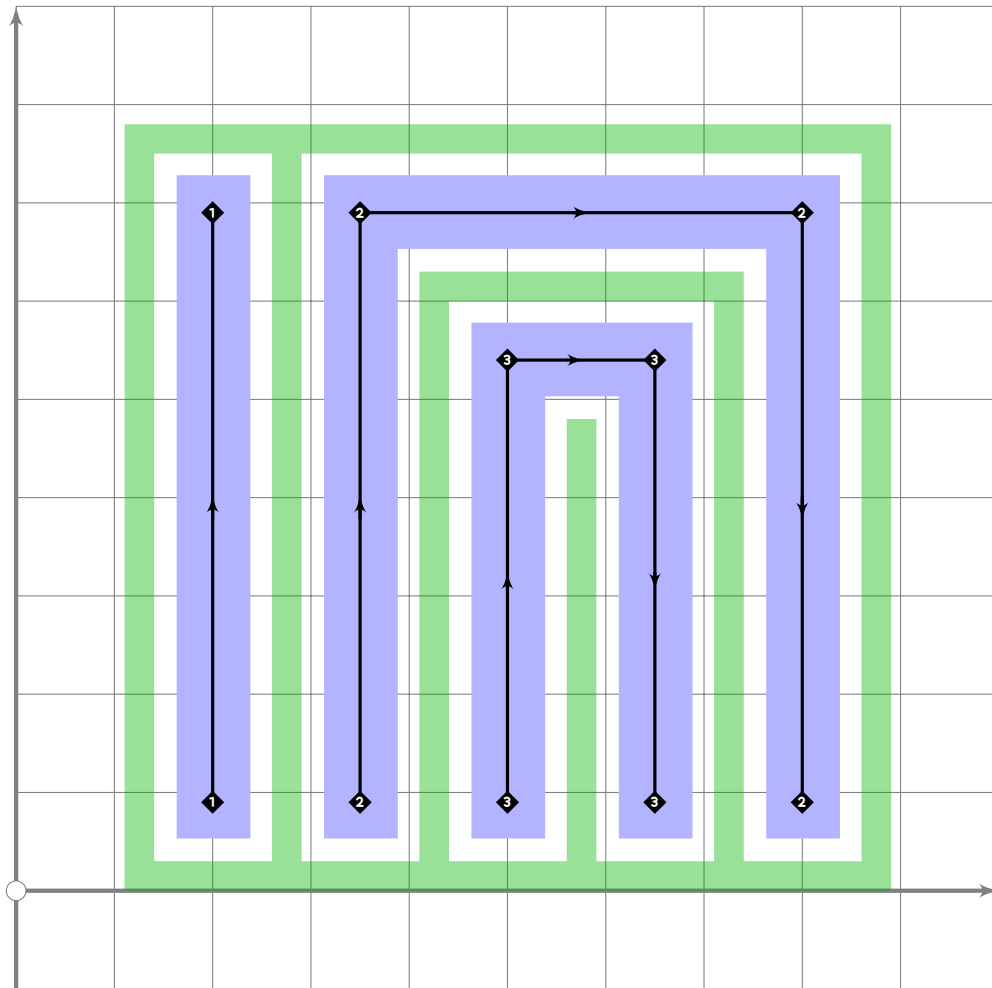
```

```

785 % #31 Makibashira
786 begintsuglyph("genjimon31";223);
787 gbk(0,0);
788 gj(1,5);
789 gb(2);gf(2);gr;gs(1);gr;gf(2);ge;
790 gp(3,3);
791 endsuglyph;
792

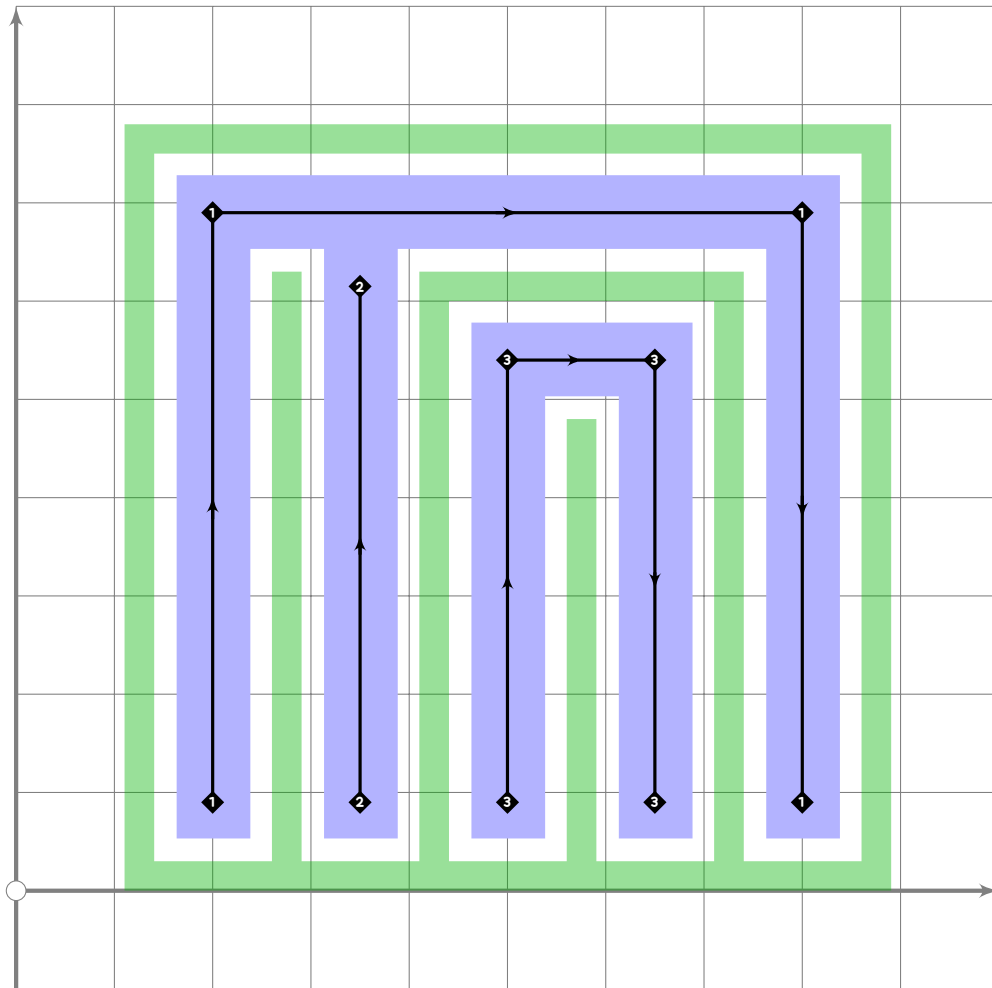
```

```

802 % #33 Fuji no Uraba
803 begintsuglyph("genjimon33";225);
804 gbk(0,0);
805 gp(1,1);
806 gj(2,5);
807 gb(3);gf(2);gr;gr;gf(2);ge;
808 endsuglyph;
809

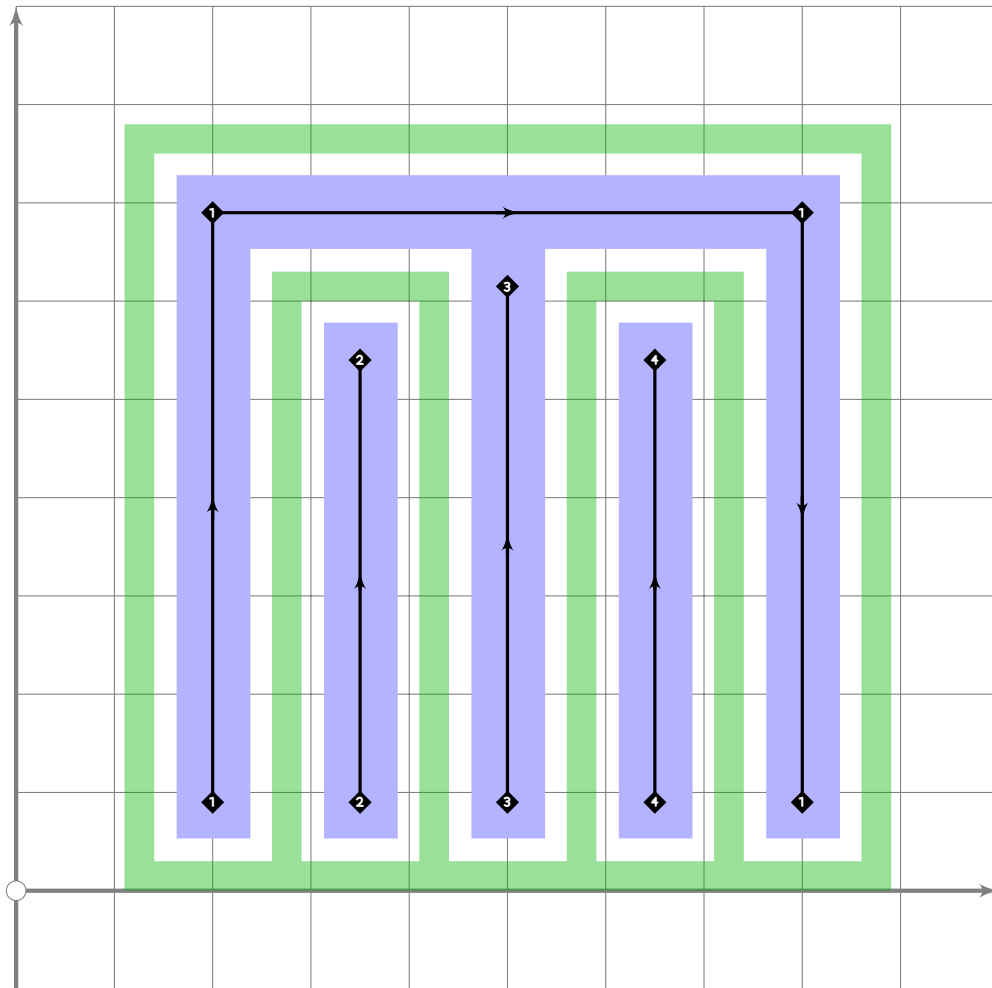
```



```

810 % #34 Wakana no Jou
811 begintsuglyph("genjimon34",226);
812 gbk(0,0);
813 gj(1,5);
814 gtt(2,1);
815 gb(3);gf(2);gr;gr;gf(2);ge;
816 endsuglyph;
817

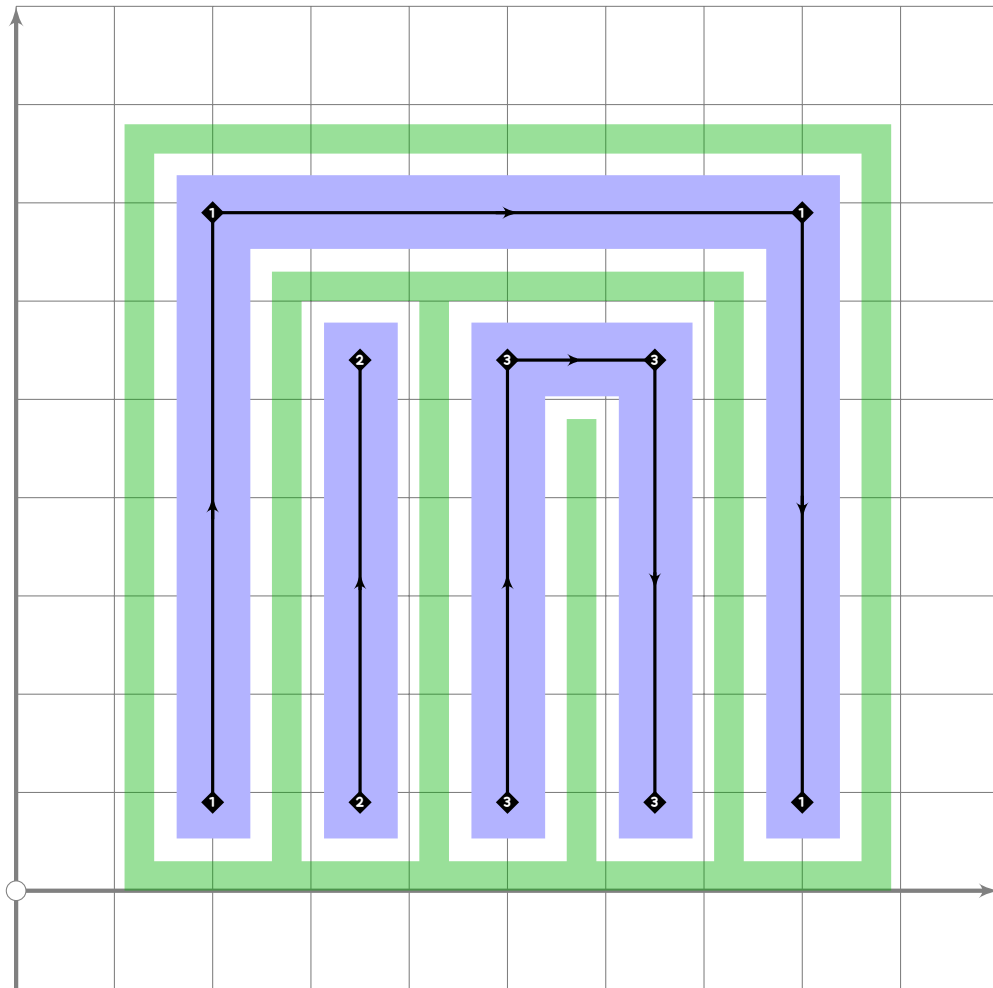
```

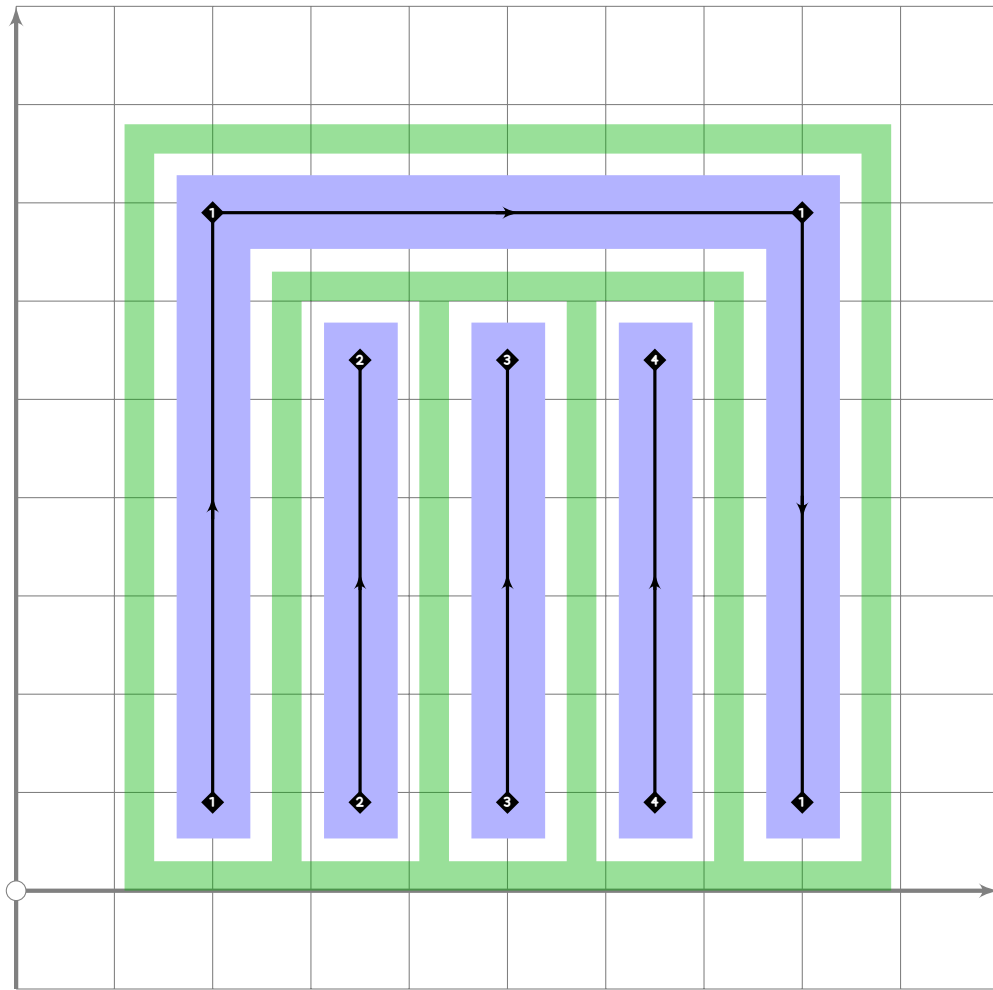
```

826 % #36 Kashiwagi
827 begint Suglyph("genjimon36";228);
828   gbk(0,0);
829   gj(1,5);
830   gp(2,2);
831   gtt(3,1);
832   gp(4,2);
833 endtsuglyph;
834

```

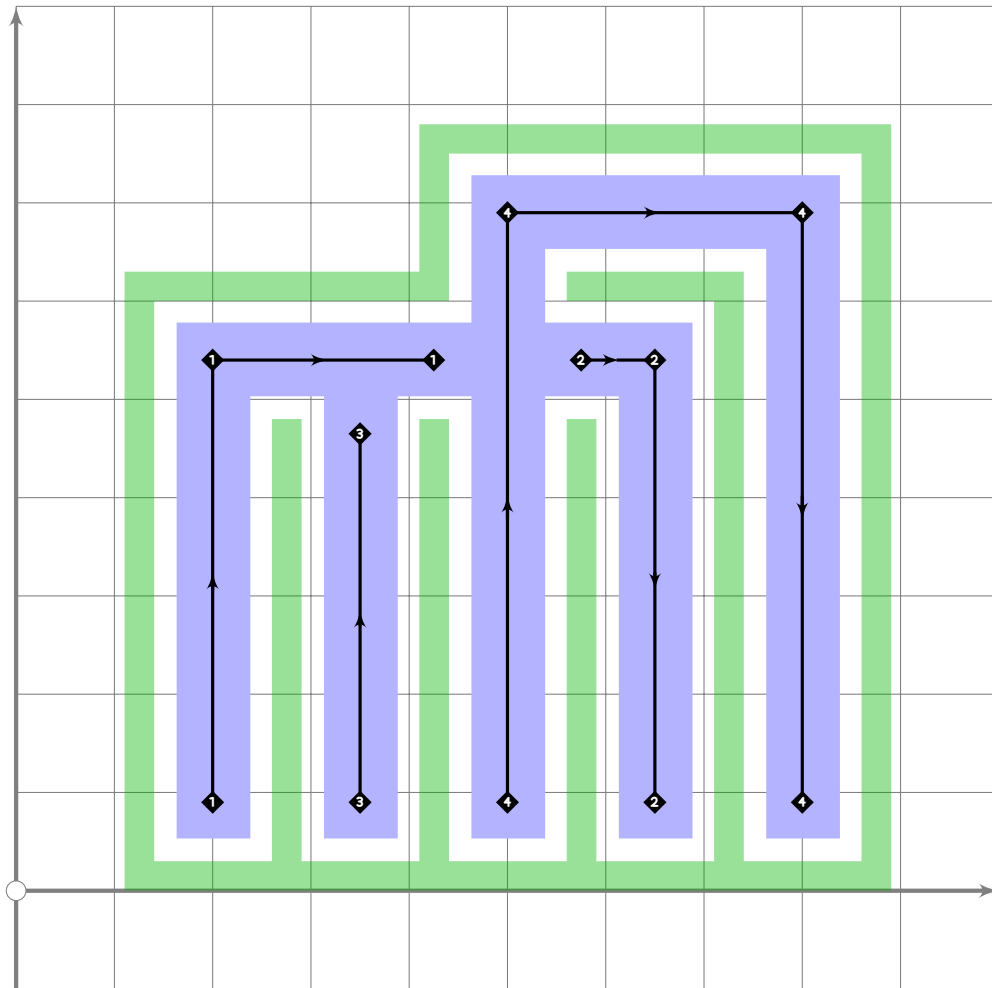
```
844 % #38 Suzumushi  
845 begint Suglyph("genjimon38",230);  
846 gbk(0,0);  
847 gj(1,5);  
848 gp(2,2);  
849 gb(3);gf(2);gr;gr;gf(2);ge;  
850 endsuglyph;  
851
```

```

868 % #41 Maboroshi
869 begintsuglyph("genjimon41";233);
870 gbk(0,0);
871 gj(1,5);
872 gp(2,2);
873 gp(3,2);
874 gp(4,2);
875 endtsuglyph;
876

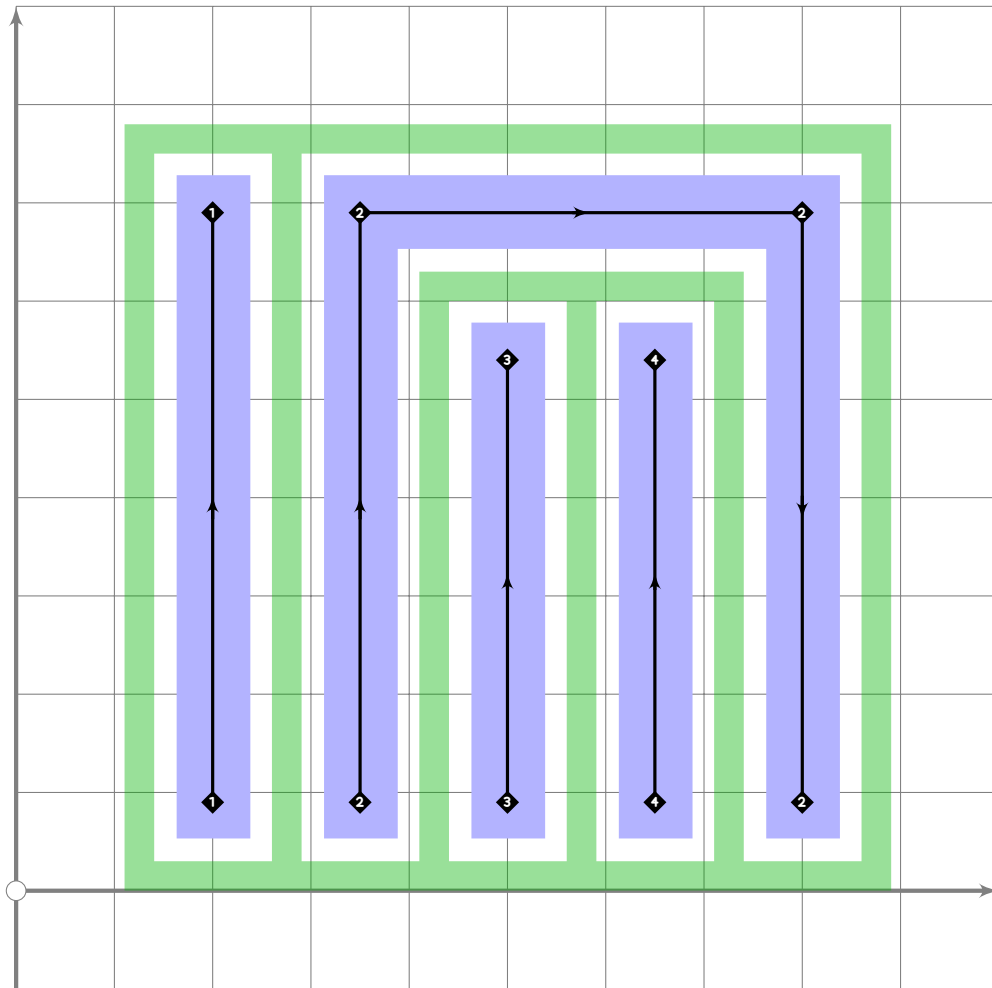
```



```

877 % #42 Ninounomiya
878 begint Suglyph("genjimon42";234);
879 gbk(2,0);
880 gb(1);gf(2);gr;gs(1);gx;gr;gf(2);ge;
881 gtt(2,2);
882 gj(3,5);
883 endsuglyph;
884

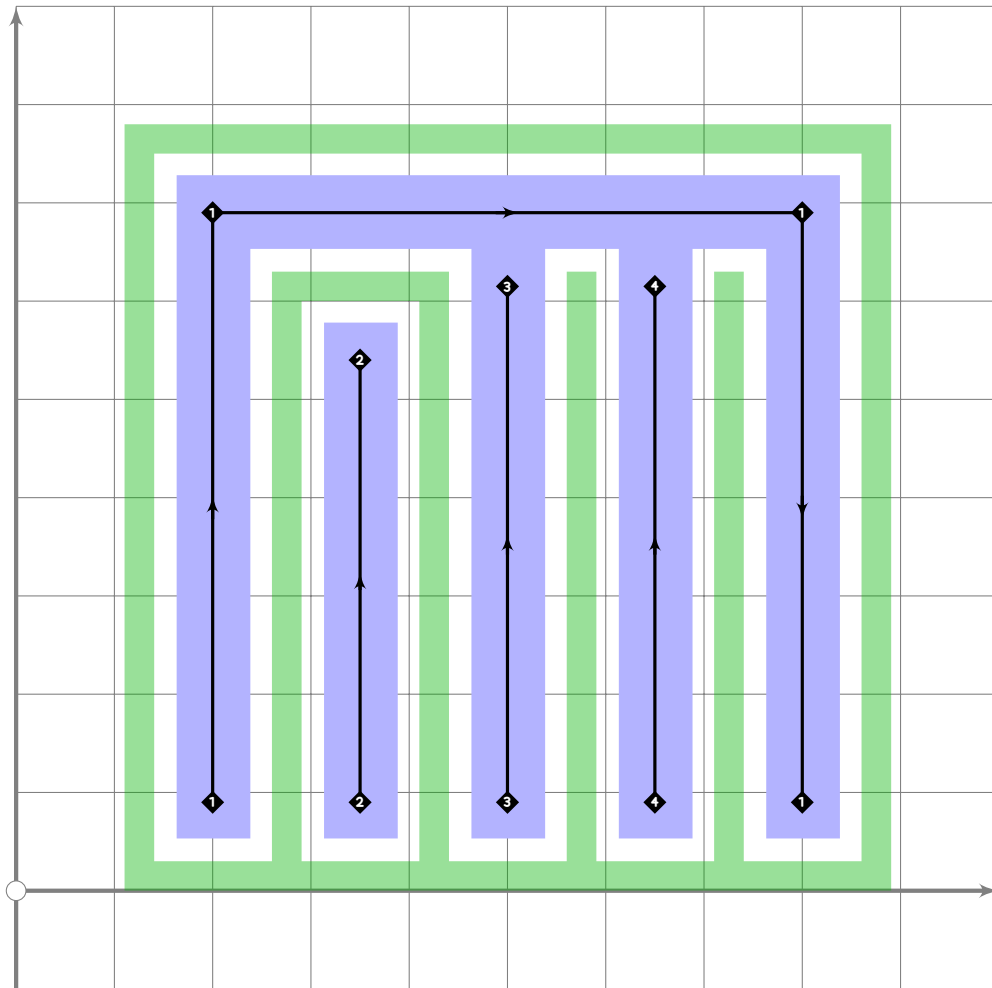
```



```

885 % #43 Koubai
886 begint Suglyph("genjimon43",235);
887 gbk(0,0);
888 gp(1,1);
889 gj(2,5);
890 gp(3,2);
891 gp(4,2);
892 endtsuglyph;
893

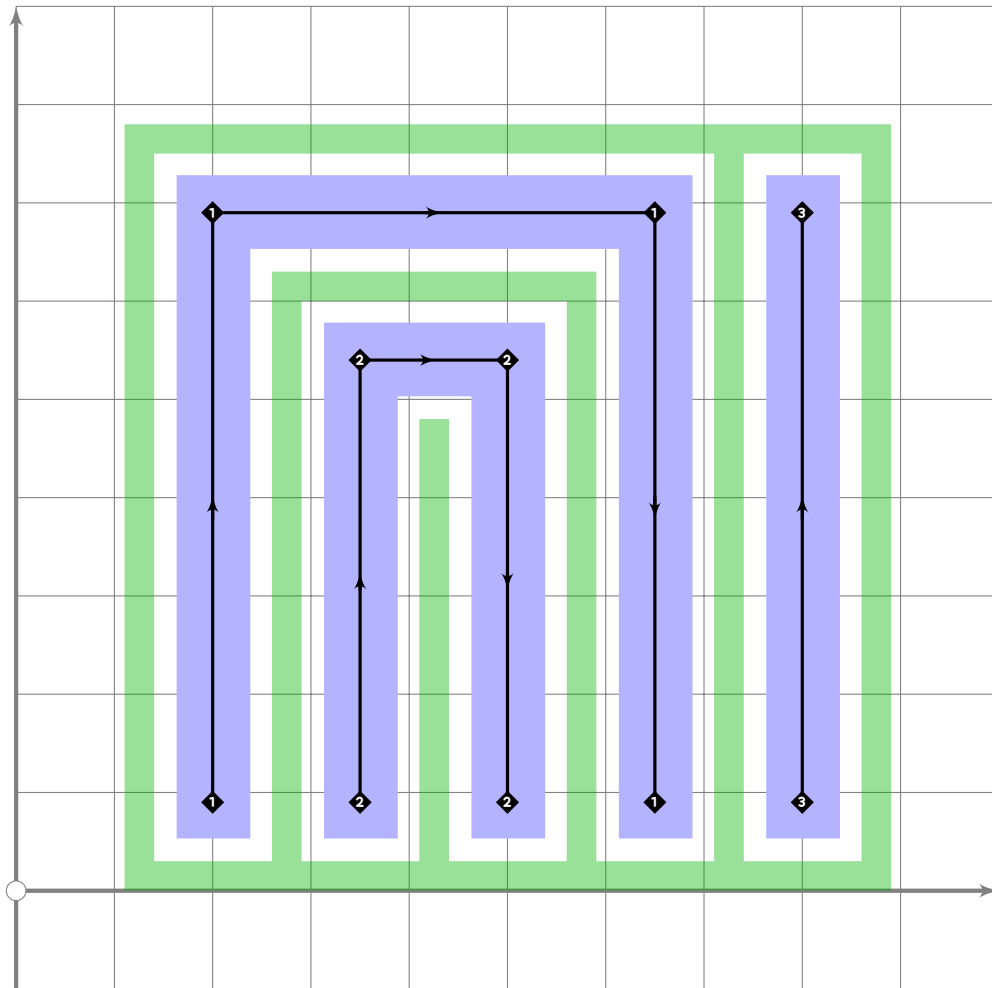
```

```

902 % #45 Hashihime
903 begint Suglyph("genjimon45",237);
904 gbk(0,0);
905 gj(1,5);
906 gp(2,2);
907 gtt(3,1);
908 gtt(4,1);
909 endtsuglyph;
910

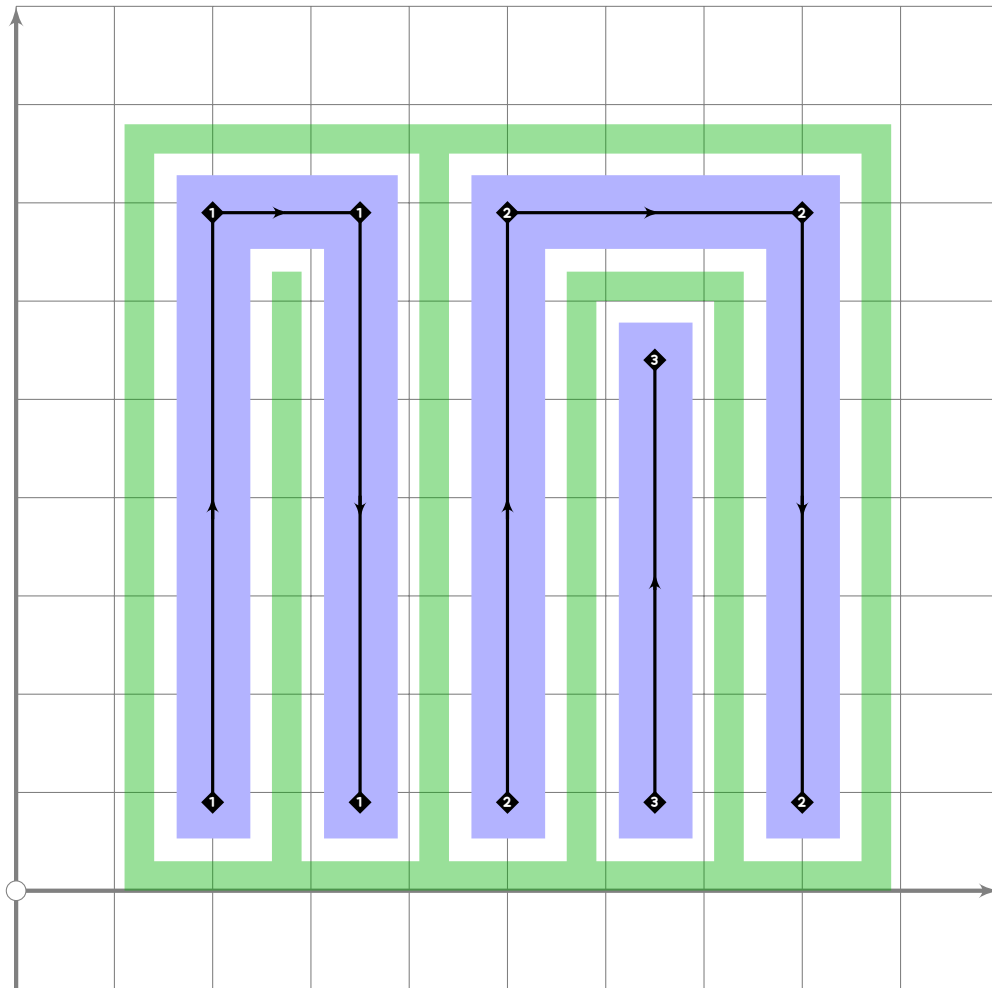
```



```

911 % #46 Shii ga Moto
912 begint Suglyph("genjimon46",238);
913 gbk(0,0);
914 gj(1,4);
915 gb(2);gf(2);gr;gr;gf(2);ge;
916 gp(5,1);
917 endtsuglyph;
918

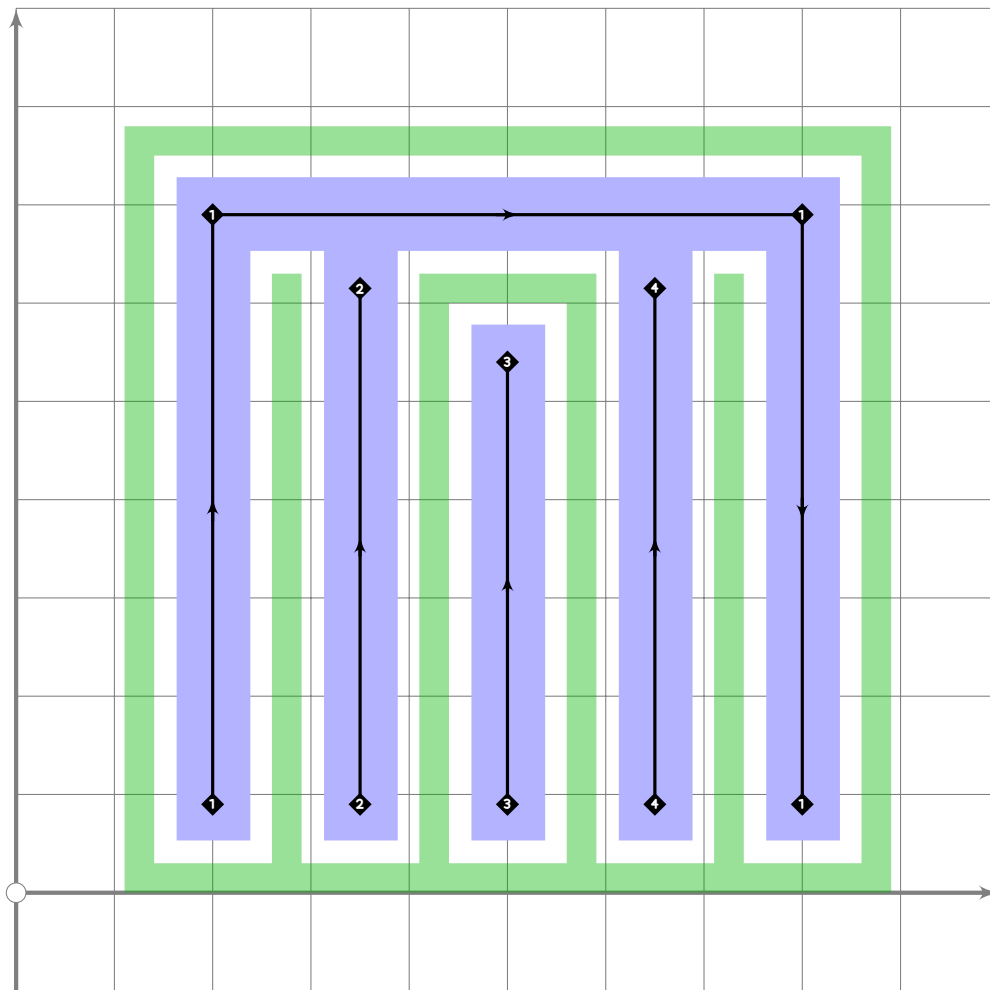
```

```

927 % #48 Sawarabi
928 begint Suglyph("genjimon48";240);
929 gbk(0,0);
930 gj(1,2);
931 gj(3,5);
932 gp(4,2);
933 endtsuglyph;
934

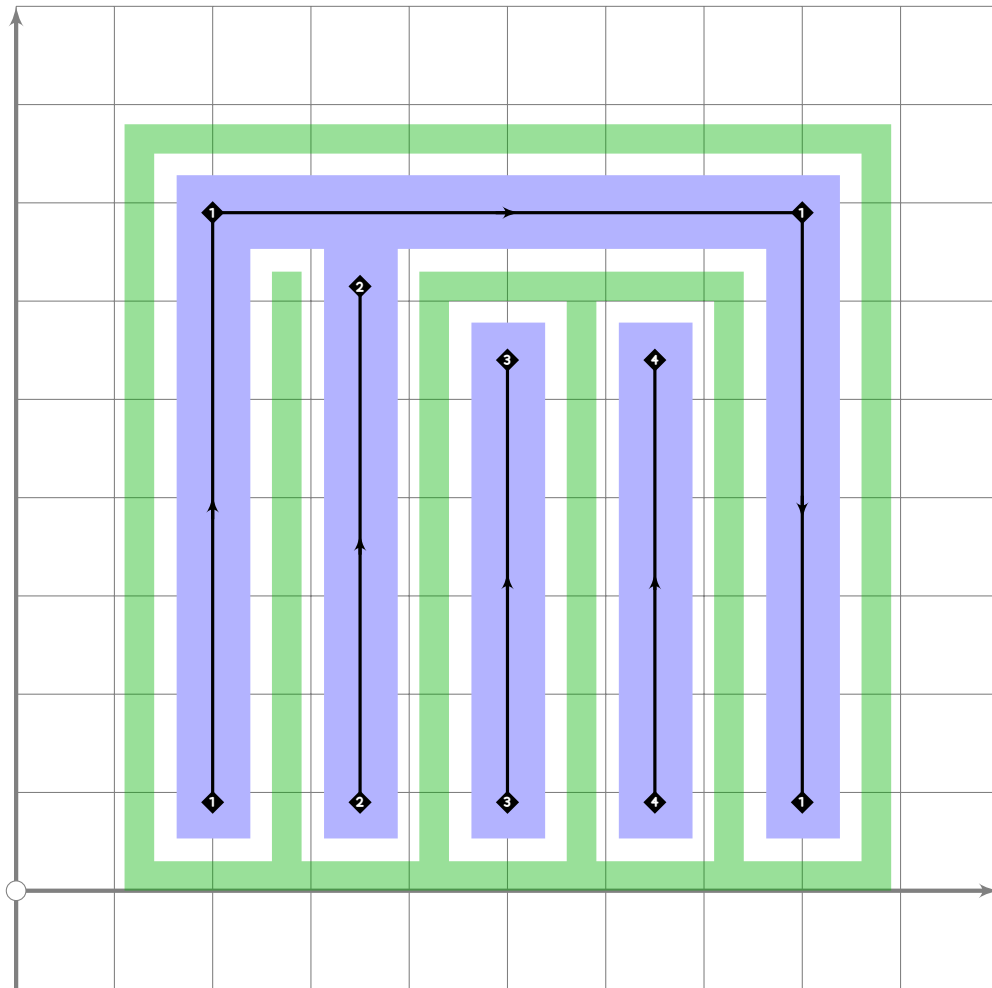
```

```

935 % #49 Yadorigi
936 begintsuglyph("genjimon49",241);
937 gbk(0,0);
938 gj(1,5);
939 gtt(2,1);
940 gp(3,2);
941 gtt(4,1);
942 endsuglyph;
943

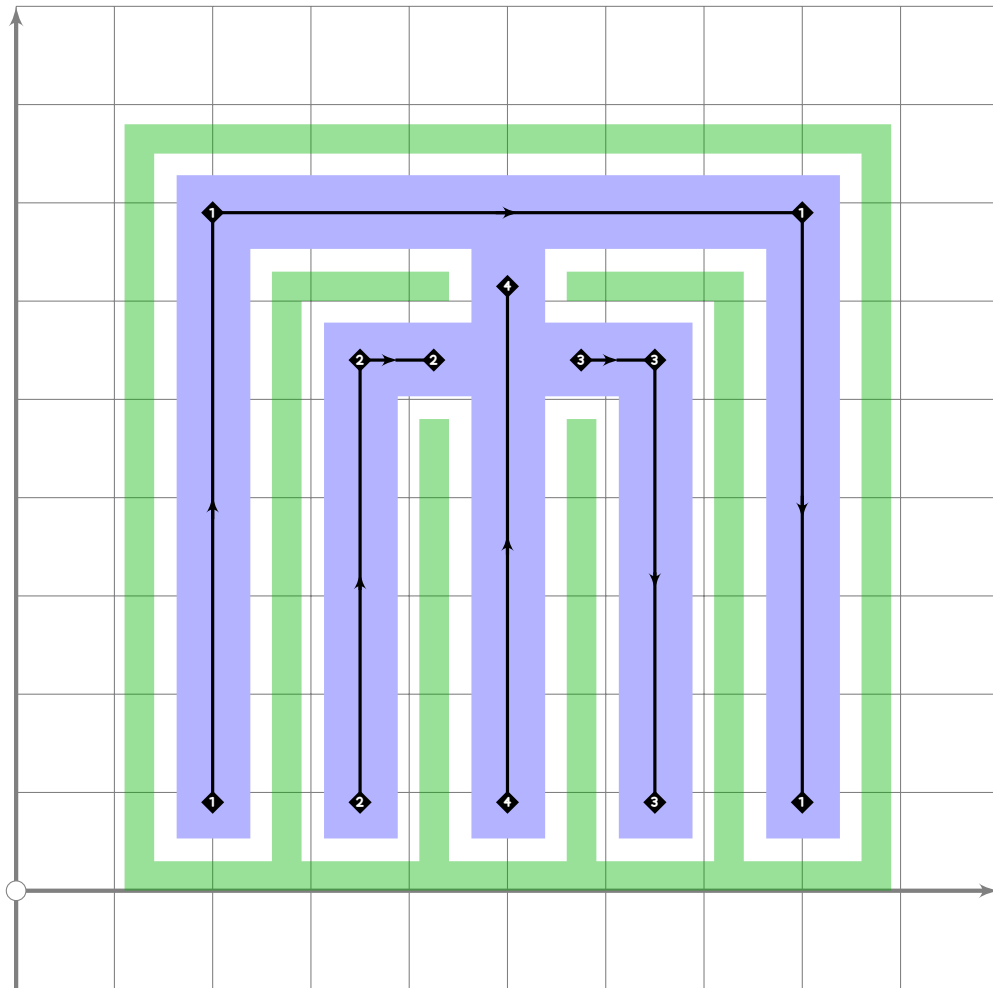
```



```

944 % #50 Azumaya
945 begint Suglyph("genjimon50",242);
946 gbk(0,0);
947 gj(1,5);
948 gtt(2,1);
949 gp(3,2);
950 gp(4,2);
951 endtsuglyph;
952

```

```

961 % #52 Kagerou
962 begint Suglyph("genjimon52",244);
963 gbk(0,0);
964 gj(1,5);
965 gb(2);gf(2);gr;gx;gr;gf(2);ge;
966 gtt(3,1);
967 endsuglyph;
968

```


tsuku-ff0.mp

```
1 %
2 % Unicode page FF0 (Fraction Numerators) for Tsukurimashou
3 % Copyright (C) 2011 Matthew Skala
4 %
5-29 [Standard copyright notice]
30
31 

---


32
33 beginfont
34
35 input latin-intro.mp;
36 input numerals.mp;
37 input frac-intro.mp;
38
39 

---


40
```

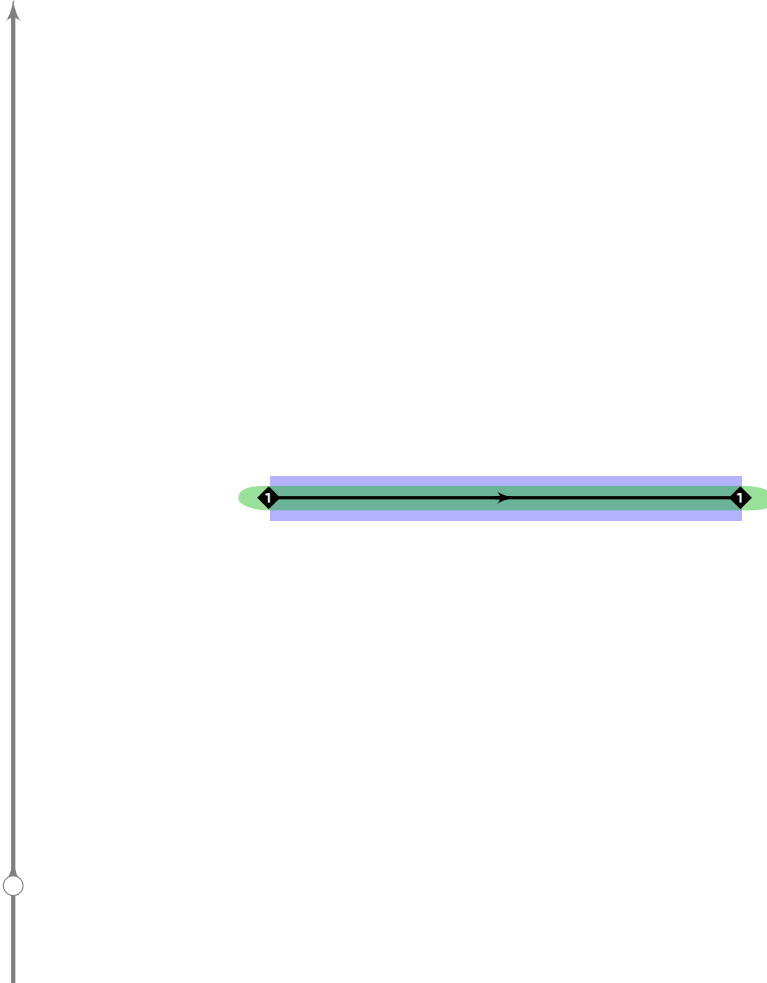
Fraction Numerators

```
41 % FRACTION NUMERATORS
42
43 transform nxf[];
44
45 (frac.in.x1,frac.in.y1) transformed nxf1=(frac.one.x1,frac.one.y4);
46 (frac.in.x2,frac.in.y1) transformed nxf1=(frac.one.x2,frac.one.y4);
47 (frac.in.x1,frac.in.y2) transformed nxf1=(frac.one.x1,frac.one.y5);
48
49 (frac.in.x1,frac.in.y1) transformed nxf2=(frac.two.x1,frac.two.y4);
50 (frac.in.x2,frac.in.y1) transformed nxf2=(frac.two.x2,frac.two.y4);
51 (frac.in.x1,frac.in.y2) transformed nxf2=(frac.two.x1,frac.two.y5);
52 (frac.in.x1,frac.in.y1) transformed nxf3=(frac.two.x2,frac.two.y4);
53 (frac.in.x2,frac.in.y1) transformed nxf3=(frac.two.x3,frac.two.y4);
54 (frac.in.x1,frac.in.y2) transformed nxf3=(frac.two.x2,frac.two.y5);
55
56 (frac.in.x1,frac.in.y1) transformed nxf4=(frac.three.x1,frac.three.y4);
57 (frac.in.x2,frac.in.y1) transformed nxf4=(frac.three.x2,frac.three.y4);
58 (frac.in.x1,frac.in.y2) transformed nxf4=(frac.three.x1,frac.three.y5);
59 (frac.in.x1,frac.in.y1) transformed nxf5=(frac.three.x2,frac.three.y4);
60 (frac.in.x2,frac.in.y1) transformed nxf5=(frac.three.x3,frac.three.y4);
61 (frac.in.x1,frac.in.y2) transformed nxf5=(frac.three.x2,frac.three.y5);
62 (frac.in.x1,frac.in.y1) transformed nxf6=(frac.three.x3,frac.three.y4);
63 (frac.in.x2,frac.in.y1) transformed nxf6=(frac.three.x4,frac.three.y4);
64 (frac.in.x1,frac.in.y2) transformed nxf6=(frac.three.x3,frac.three.y5);
65
66 (frac.in.x1,frac.in.y1) transformed nxf7=(frac.four.x1,frac.four.y4);
67 (frac.in.x2,frac.in.y1) transformed nxf7=(frac.four.x2,frac.four.y4);
68 (frac.in.x1,frac.in.y2) transformed nxf7=(frac.four.x1,frac.four.y5);
```

```

69 (frac.in.x1,frac.in.y1) transformed nxf8=(frac.four.x2,frac.four.y4);
70 (frac.in.x2,frac.in.y1) transformed nxf8=(frac.four.x3,frac.four.y4);
71 (frac.in.x1,frac.in.y2) transformed nxf8=(frac.four.x2,frac.four.y5);
72 (frac.in.x1,frac.in.y1) transformed nxf9=(frac.four.x3,frac.four.y4);
73 (frac.in.x2,frac.in.y1) transformed nxf9=(frac.four.x4,frac.four.y4);
74 (frac.in.x1,frac.in.y2) transformed nxf9=(frac.four.x3,frac.four.y5);
75 (frac.in.x1,frac.in.y1) transformed nxf10=(frac.four.x4,frac.four.y4);
76 (frac.in.x2,frac.in.y1) transformed nxf10=(frac.four.x5,frac.four.y4);
77 (frac.in.x1,frac.in.y2) transformed nxf10=(frac.four.x4,frac.four.y5);
78
79 (frac.in.x1,frac.in.y1) transformed nxf11=(frac.half.x1,frac.half.y4);
80 (frac.in.x2,frac.in.y1) transformed nxf11=(frac.half.x2,frac.half.y4);
81 (frac.in.x1,frac.in.y2) transformed nxf11=(frac.half.x1,frac.half.y5);
82
83 tsu_rescale_native_zero;

```



```

84
85 begintsuglyph("fraction.1";1);
86 bp1:=((-0.25)[(frac.one.x1,frac.one.y3),(frac.one.x2,frac.one.y3)])
87      -(1.25[(frac.one.x1,frac.one.y3),(frac.one.x2,frac.one.y3)]);
88 bq1:=(2,2)-(2,2);
89 bo_size1:=60;

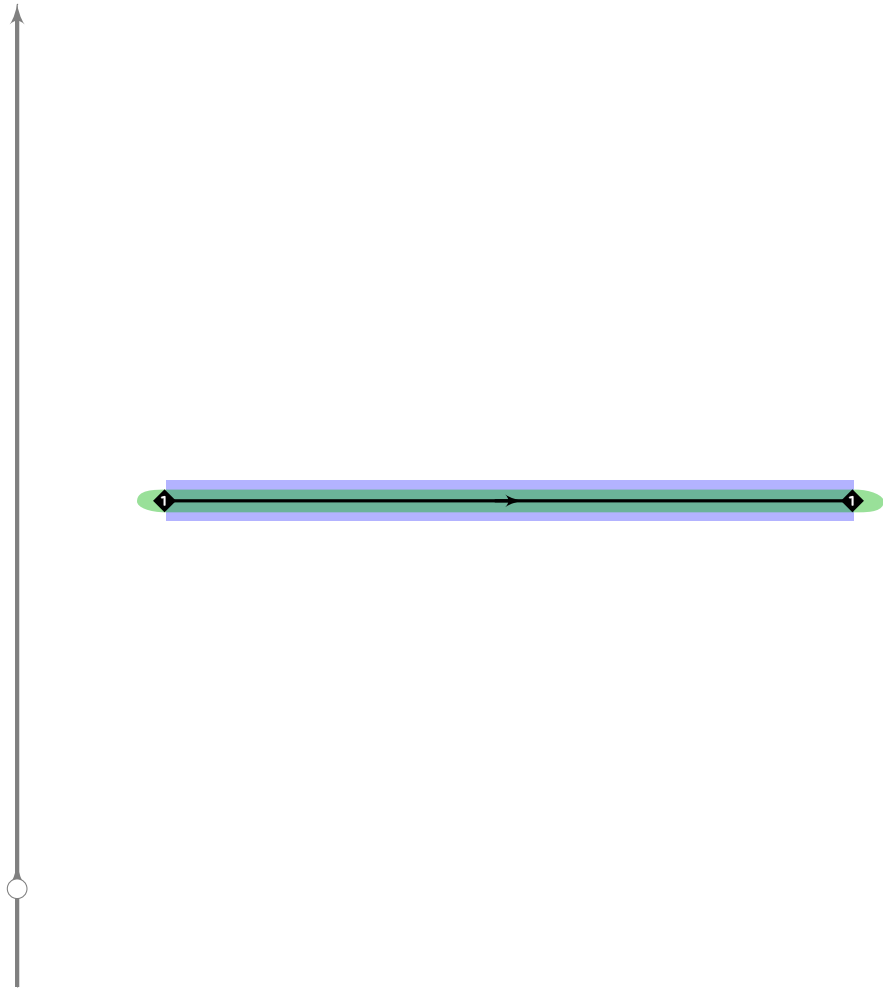
```



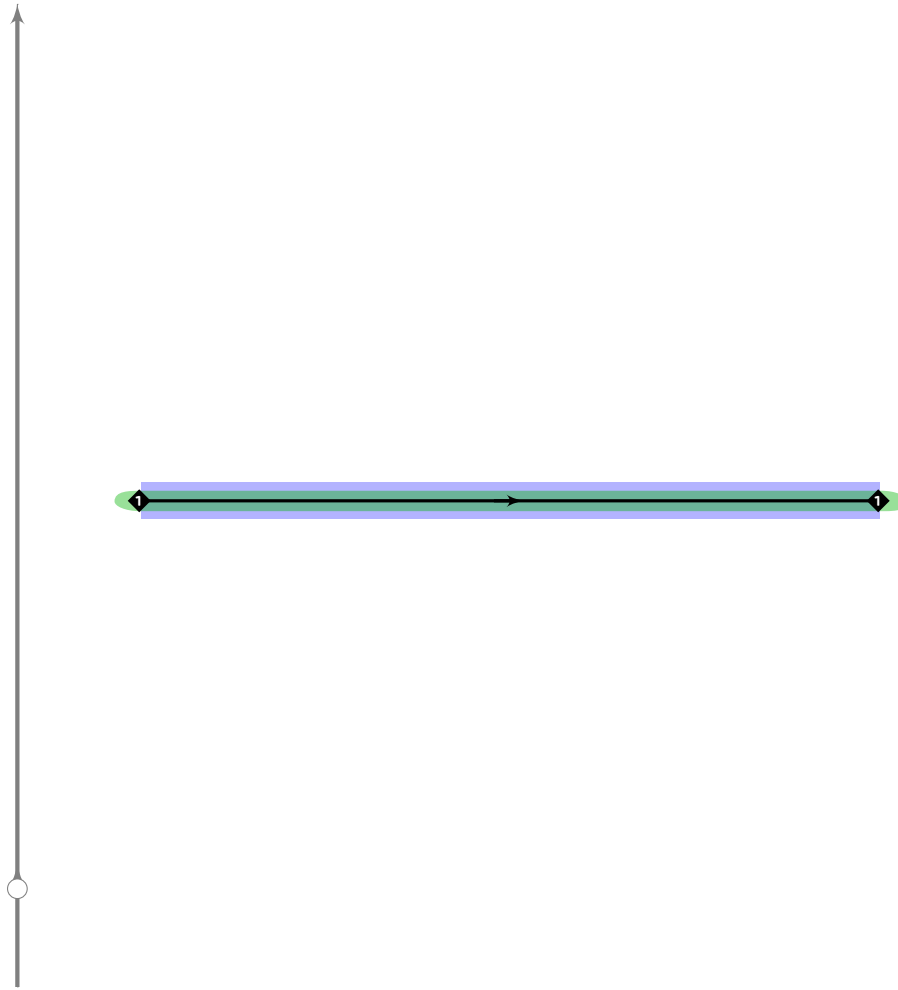
```
90 sp:=2;  
91 tsu_render;  
92 endtsuglyph;
```



```
93  
94 begint Suglyph("fraction.2";2);  
95 bp1:=((-0.07)[(frac.two.x1,frac.two.y3),(frac.two.x3,frac.two.y3]])  
96   -(1.07)[(frac.two.x1,frac.two.y3),(frac.two.x3,frac.two.y3]]);  
97 bq1:=(2,2)-(2,2);  
98 bo_size1:=60;  
99 sp:=2;  
100 tsu_render;  
101 endtsuglyph;
```



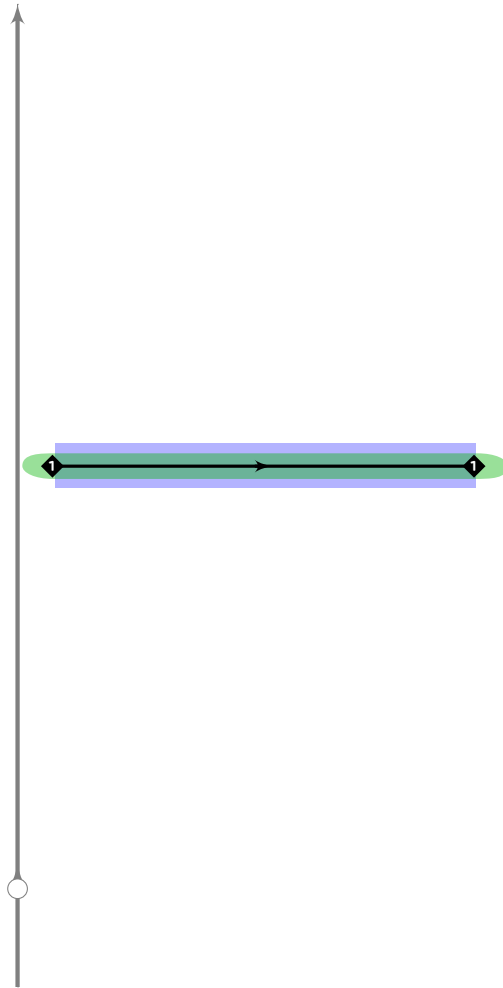
```
102
103 begintsuglyph("fraction.3",3);
104 bp1:=(frac.three.x1,frac.three.y3)-(frac.three.x4,frac.three.y3);
105 bq1:=(2,2)-(2,2);
106 bo_size1:=55;
107 sp:=2;
108 tsu_render;
109 endtsuglyph;
```



```

110
111 begintsuglyph("fraction.4";4);
112 bp1=(0.03[(frac.four.x1,frac.four.y3),(frac.four.x5,frac.four.y3]])
113   -(0.97[(frac.four.x1,frac.four.y3),(frac.four.x5,frac.four.y3]]);
114 bq1=(2,2)-(2,2);
115 bo_size1:=50;
116 sp:=2;
117 tsu_render;
118 endtsuglyph;

```



```

119
120 begintsuglyph("fraction.latn",5);
121 bp1:=((-0.15)[(frac.half.x1,frac.half.y3),(frac.half.x2,frac.half.y3]])
122   -((1.15)[(frac.half.x1,frac.half.y3),(frac.half.x2,frac.half.y3]]);
123 bq1:=((2,2)-(2,2));
124 bo_size1:=60;
125 sp:=2;
126 tsu_render;
127 endtsuglyph;
128
129 make_digit_set(nxf1,"0","1");
130 make_digit_set(nxf2,"0","2");
131 make_digit_set(nxf3,"0","3");
132 make_digit_set(nxf4,"0","4");
133 make_digit_set(nxf5,"0","5");
134 make_digit_set(nxf6,"0","6");
135 make_digit_set(nxf7,"0","7");
136 make_digit_set(nxf8,"0","8");
137 make_digit_set(nxf9,"0","9");
138 make_digit_set(nxf10,"0","a");
139 make_digit_set(nxf11,"0","b");

```

140

141

142

143 **endfont;**

144

145

tsuku-ff1.mp

```
1 %
2 % Unicode page FF1 (Fraction Denominators) for Tsukurimashou
3 % Copyright (C) 2011 Matthew Skala
4 %
5-29 [Standard copyright notice]
30
31 

---


32
33 beginfont
34
35 input latin-intro.mp;
36 input numerals.mp;
37 input frac-intro.mp;
38
39 

---


40
```

Fraction Denominators

```
41 % FRACTION DENOMINATORS
42
43 transform nxf[];
44
45 (frac.in.x1,frac.in.y1) transformed nxf1=(frac.one.x1,frac.one.y1);
46 (frac.in.x2,frac.in.y1) transformed nxf1=(frac.one.x2,frac.one.y1);
47 (frac.in.x1,frac.in.y2) transformed nxf1=(frac.one.x1,frac.one.y2);
48
49 (frac.in.x1,frac.in.y1) transformed nxf2=(frac.two.x1,frac.two.y1);
50 (frac.in.x2,frac.in.y1) transformed nxf2=(frac.two.x2,frac.two.y1);
51 (frac.in.x1,frac.in.y2) transformed nxf2=(frac.two.x1,frac.two.y2);
52 (frac.in.x1,frac.in.y1) transformed nxf3=(frac.two.x2,frac.two.y1);
53 (frac.in.x2,frac.in.y1) transformed nxf3=(frac.two.x3,frac.two.y1);
54 (frac.in.x1,frac.in.y2) transformed nxf3=(frac.two.x2,frac.two.y2);
55
56 (frac.in.x1,frac.in.y1) transformed nxf4=(frac.three.x1,frac.three.y1);
57 (frac.in.x2,frac.in.y1) transformed nxf4=(frac.three.x2,frac.three.y1);
58 (frac.in.x1,frac.in.y2) transformed nxf4=(frac.three.x1,frac.three.y2);
59 (frac.in.x1,frac.in.y1) transformed nxf5=(frac.three.x2,frac.three.y1);
60 (frac.in.x2,frac.in.y1) transformed nxf5=(frac.three.x3,frac.three.y1);
61 (frac.in.x1,frac.in.y2) transformed nxf5=(frac.three.x2,frac.three.y2);
62 (frac.in.x1,frac.in.y1) transformed nxf6=(frac.three.x3,frac.three.y1);
63 (frac.in.x2,frac.in.y1) transformed nxf6=(frac.three.x4,frac.three.y1);
64 (frac.in.x1,frac.in.y2) transformed nxf6=(frac.three.x3,frac.three.y2);
65
66 (frac.in.x1,frac.in.y1) transformed nxf7=(frac.four.x1,frac.four.y1);
67 (frac.in.x2,frac.in.y1) transformed nxf7=(frac.four.x2,frac.four.y1);
68 (frac.in.x1,frac.in.y2) transformed nxf7=(frac.four.x1,frac.four.y2);
```

```

69 (frac.in.x1,frac.in.y1) transformed nxf8=(frac.four.x2,frac.four.y1);
70 (frac.in.x2,frac.in.y1) transformed nxf8=(frac.four.x3,frac.four.y1);
71 (frac.in.x1,frac.in.y2) transformed nxf8=(frac.four.x2,frac.four.y2);
72 (frac.in.x1,frac.in.y1) transformed nxf9=(frac.four.x3,frac.four.y1);
73 (frac.in.x2,frac.in.y1) transformed nxf9=(frac.four.x4,frac.four.y1);
74 (frac.in.x1,frac.in.y2) transformed nxf9=(frac.four.x3,frac.four.y2);
75 (frac.in.x1,frac.in.y1) transformed nxf10=(frac.four.x4,frac.four.y1);
76 (frac.in.x2,frac.in.y1) transformed nxf10=(frac.four.x5,frac.four.y1);
77 (frac.in.x1,frac.in.y2) transformed nxf10=(frac.four.x4,frac.four.y2);
78
79 (frac.in.x1,frac.in.y1) transformed nxf11=(frac.half.x1,frac.half.y1);
80 (frac.in.x2,frac.in.y1) transformed nxf11=(frac.half.x2,frac.half.y1);
81 (frac.in.x1,frac.in.y2) transformed nxf11=(frac.half.x1,frac.half.y2);
82
83 tsu_rescale_full;
84 make_digit_set(nxf1,"1";"1");
85
86 tsu_rescale_native_zero;
87 make_digit_set(nxf2,"1";"2");
88 tsu_rescale_full;
89 make_digit_set(nxf3,"1";"3");
90
91 tsu_rescale_native_zero;
92 make_digit_set(nxf4,"1";"4");
93 make_digit_set(nxf5,"1";"5");
94 tsu_rescale_full;
95 make_digit_set(nxf6,"1";"6");
96
97 tsu_rescale_native_zero;
98 make_digit_set(nxf7,"1";"7");
99 make_digit_set(nxf8,"1";"8");
100 make_digit_set(nxf9,"1";"9");
101 tsu_rescale_full;
102 make_digit_set(nxf10,"1";"a");
103
104 tsu_rescale_native_narrow;
105 make_digit_set(nxf11,"1";"b");
106
107 _____
108
109 endfont;
110
111 _____

```