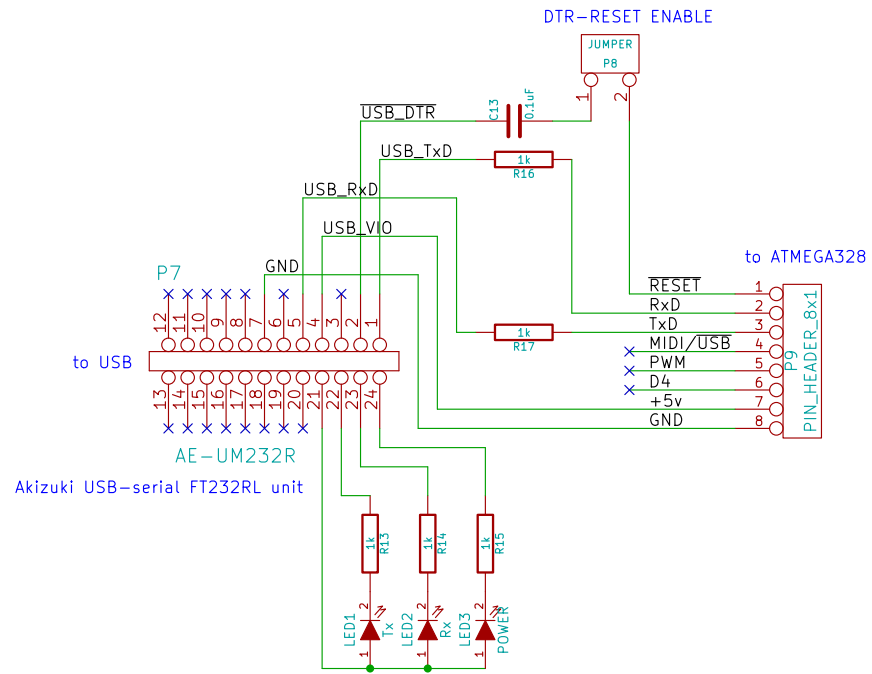


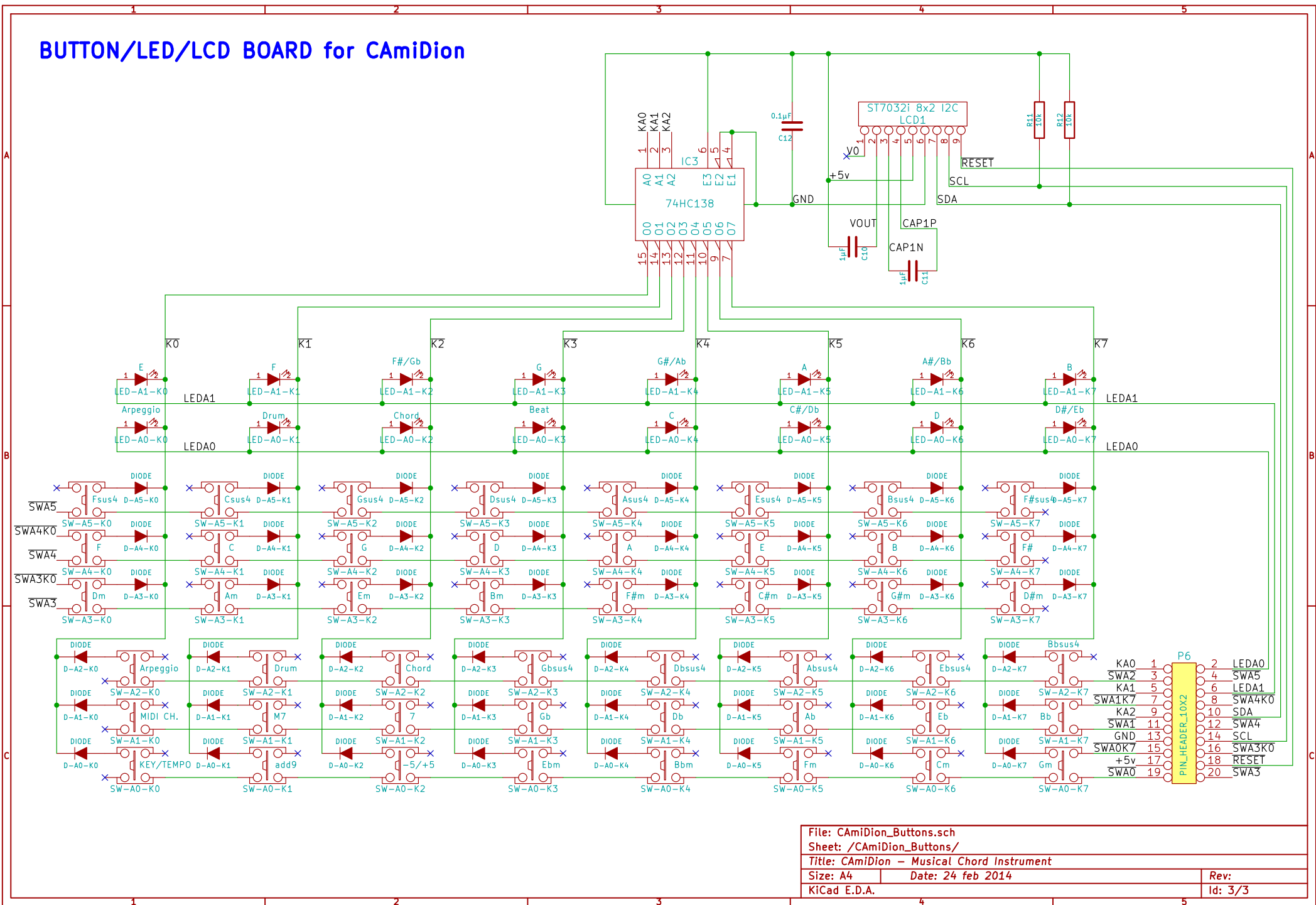
File: CamiDion.sch	
Sheet: /	
Title: CamiDion - Musical Chord Instrument	
Size: A4	Date: 24 feb 2014
KiCad E.D.A.	Rev: Id: 1/3

# USB ADAPTER for ATMEGA328 (Arduino-compatible)



File: CAmiDion_USB.sch	
Sheet: /CAmiDion_USB/	
Title: CAmiDion - Musical Chord Instrument	
Size: A4	Date: 24 feb 2014
KiCad E.D.A.	Rev: Id: 2/3

# BUTTON/LED/LCD BOARD for CamiDion



File: CamiDion_Buttons.sch	
Sheet: /CamiDion_Buttons/	
Title: CamiDion - Musical Chord Instrument	
Size: A4	Date: 24 feb 2014
KiCad E.D.A.	Rev: 3/3